



# FT dx 9000 series

## Technical supplement

©2005 VERTEX STANDARD CO., LTD. EH010H90A

### VERTEX STANDARD CO., LTD.

4-8-8 Nakameguro, Meguro-Ku, Tokyo 153-8644, Japan

### VERTEX STANDARD

#### US Headquarters

10900 Walker Street, Cypress, CA 90630, U.S.A.

#### YAESU EUROPE B.V.

P.O. Box 75525, 1118 ZN Schiphol, The Netherlands

#### YAESU UK LTD.

Unit 12, Sun Valley Business Park, Winnall Close  
Winchester, Hampshire, SO23 0LB, U.K.

#### VERTEX STANDARD HK LTD.

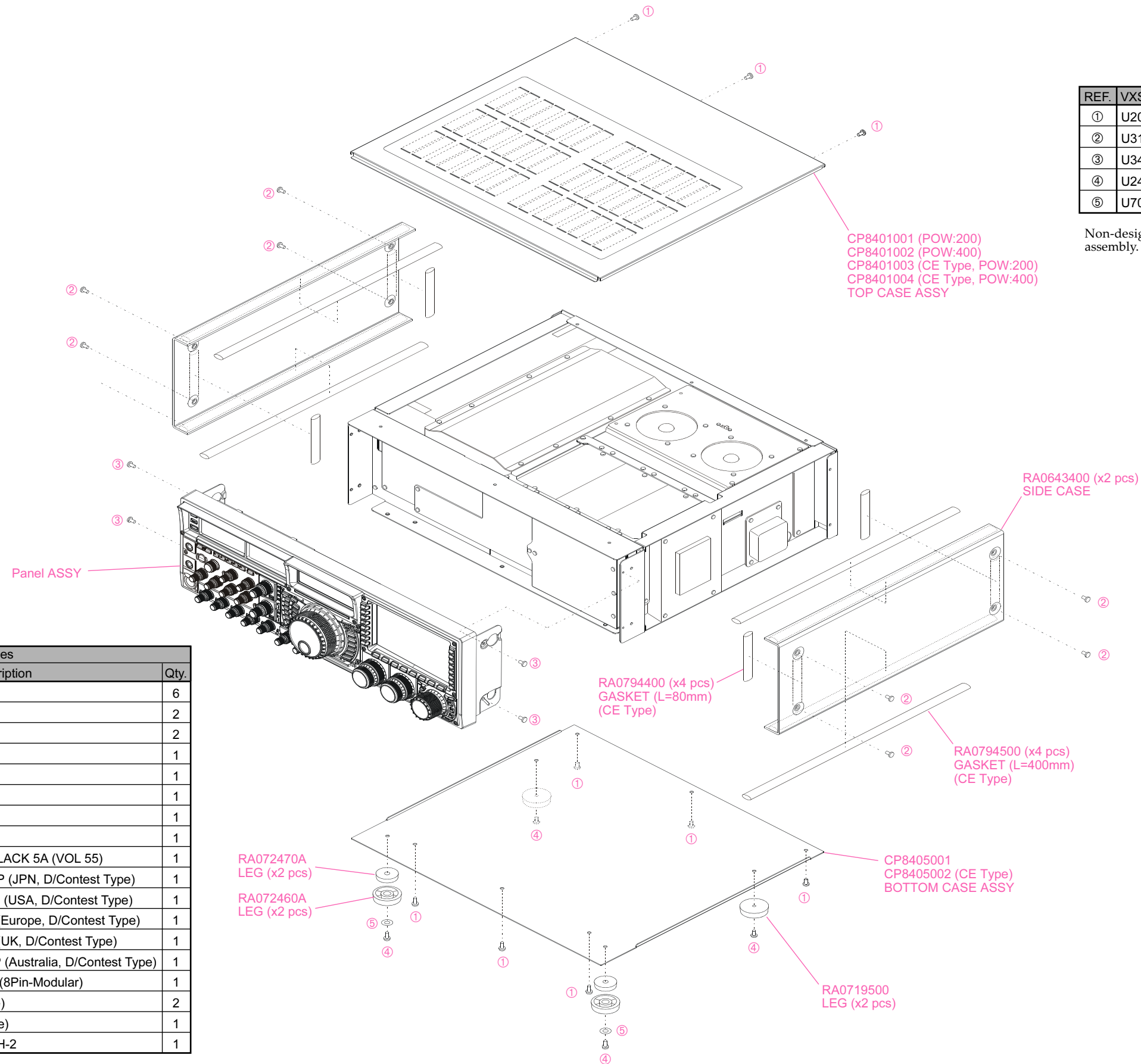
Unit 5, 20/F., Seaview Centre, 139-141 Hoi Bun Road,  
Kwun Tong, Kowloon, Hong Kong

## Contents

Exploded View	PA-B Unit (D, Contest Type)
Alignment	PA-A Unit (MP Type)
Block Diagram	PS Unit (MP Type)
Interconnection Diagram	SCP-1 Unit
RX-1 Unit	SCP-2 Unit (D, MP Type, RXU-9000)
RX-2 Unit (D, MP Type, RXU-9000)	VR-A Unit
BPF-1 Unit	VR-B Unit
BPF-2 Unit (D, MP Type, RXU-9000)	VR-C Unit (D, MP Type, RXU-9000)
AF Unit	VR-D Unit
TX Unit	VR-E Unit
DVS Unit	VR-F Unit
LOCAL Unit	SW-A Unit
REF Unit	SW-B Unit
VRF-1 Unit	SW-C Unit
VRF-2 Unit (D, MP Type, RXU-9000)	SW-D Unit (D Type, TFT-9000)
RX-TUNE Unit	SW-E Unit
SENSOR-A Unit (D Type, MTU-160)	SW-G Unit (D Type, TFT-9000)
SENSOR-C Unit (D Type, MTU-80/40)	SW-J Unit
SENSOR-E Unit (D Type, MTU-30/20)	SW-N Unit
LCD-CNTL Unit (D Type, TFT-9000)	ENC-A Unit
CNTL Unit	CONNECT-A Unit (D, MP Type, DMU-9000)
MEMORY Unit (D, MP Type, DMU-9000)	CONNECT-B Unit (D, MP Type, DMU-9000)
TUNER-MAIN Unit (D, Contest Type)	JACK Unit
TUNER-MAIN-A Unit (MP Type)	LINK Unit
TUNER-CNTL Unit	Contest / MPType Front Panel PCB
ANT Unit (D, Contest Type)	BACK-LIGHT Unit
ANT-A Unit (MP Type)	JACK-S Unit
TUNE-1 Unit (D Type, MTU-160)	SW-K Unit
TUNE-2 Unit (D Type, MTU-80/40)	SW-L Unit
TUNE-3 Unit (D Type, MTU-30/20)	SW-M Unit
PC-FIL Unit	VR-G Unit
MIC-A Unit	
MIC-B Unit	



Case ASSY



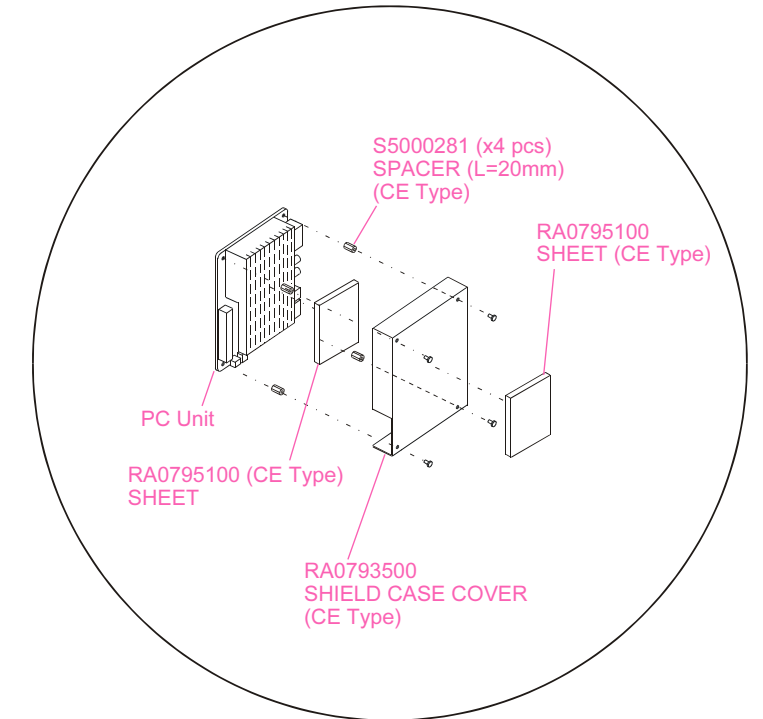
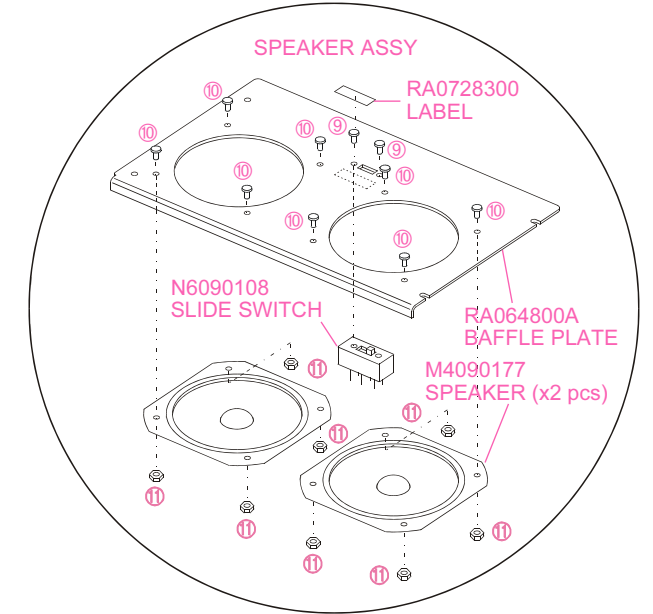
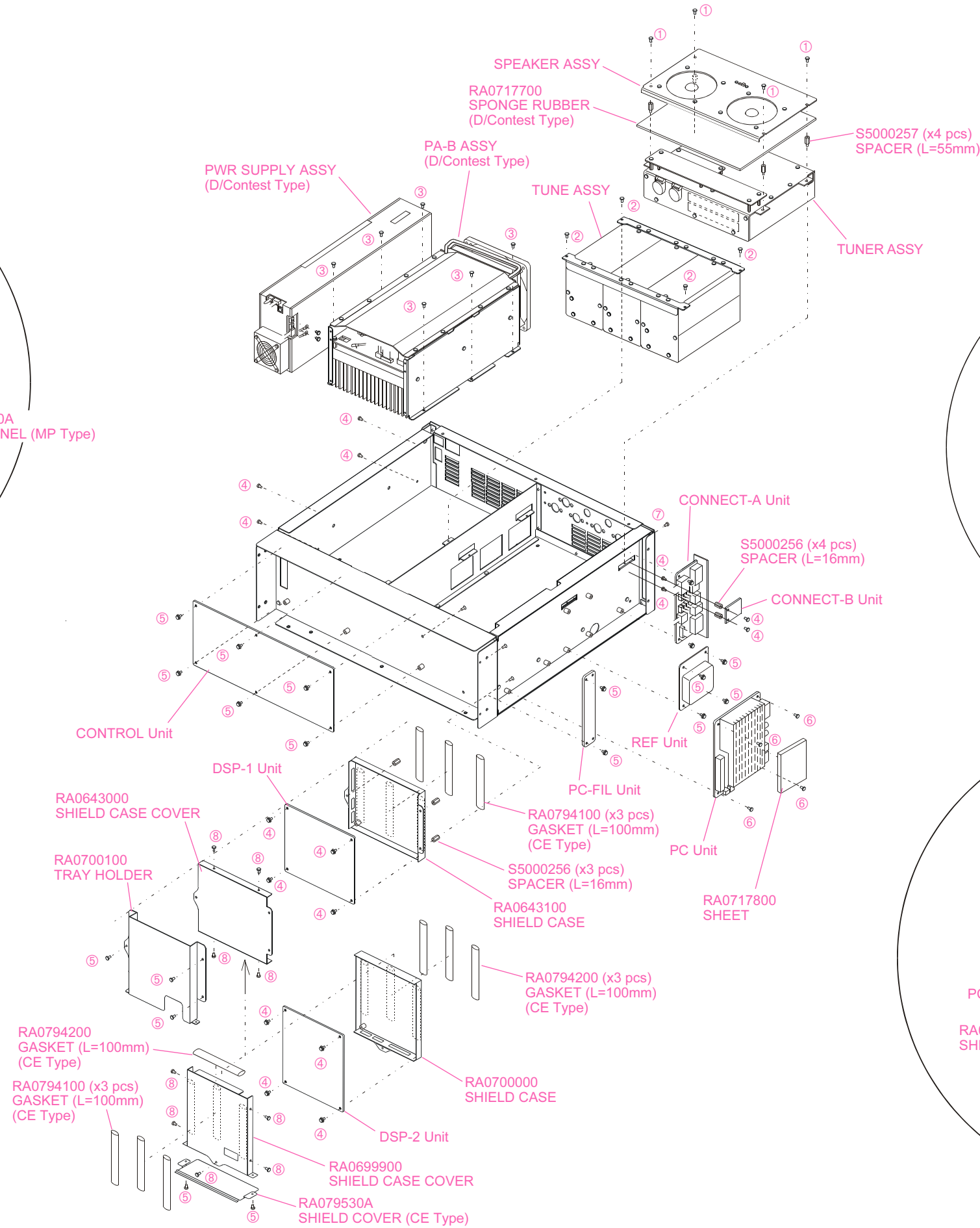
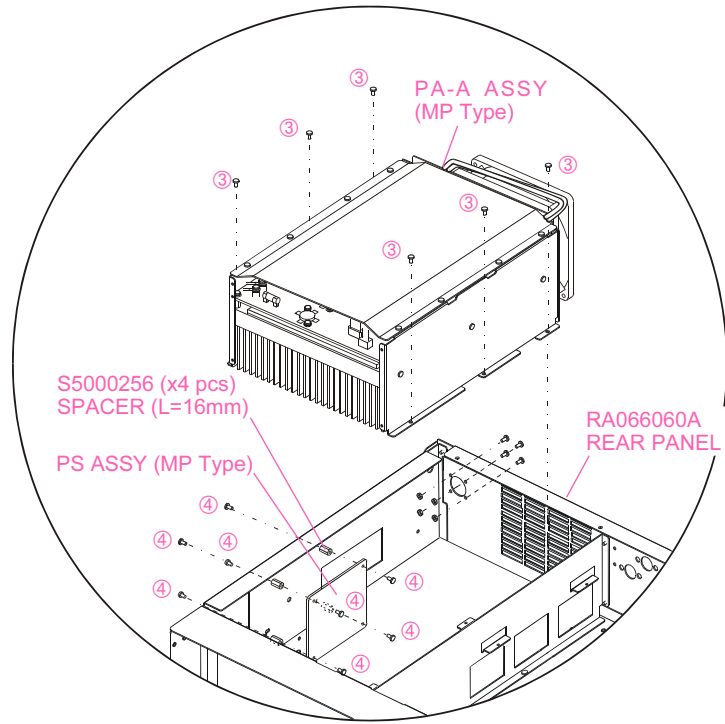
REF.	VXSTD P/N	Description	Qty.
①	U20406007	BINDING HEAD SCREW M4X6B	9
②	U31406007	OVAL HEAD SCREW M4X6B	8
③	U34308001	TAPTITE SCREW M3X8	4
④	U24425007	TAPTITE SCREW M4X25B	4
⑤	U70005002	PLAIN WASHER FW5NI	2

Non-designated parts are available only as part of a designated assembly.

Accessories		
VXSTD P/N	Description	Qty.
P0091365	RCA Plug	6
P0090008	1/4-inch 3-contact Plug	2
P0090034	3.5 mm 2-contact Plug	2
P0091046	3.5 mm 3-contact Plug	1
P0091004	4-pin DIN Plug	1
P0091006	5-pin DIN Plug	1
P0091419	7-pin DIN Plug	1
P0090651	8-pin DIN Plug	1
P0091086	CONNECTOR W/FUSE BLACK 5A (VOL 55)	1
T9017780	AC Power Code 100V 2WP (JPN, D/Contest Type)	1
T9017882	AC Power Code 117V3WP (USA, D/Contest Type)	1
T9013285	AC Power Code 220V3W (Europe, D/Contest Type)	1
T9013285	AC Power Code 220V3W (UK, D/Contest Type)	1
T9013283A	AC Power Code 234V3WP (Australia, D/Contest Type)	1
T9101549	Microphone Extend Cable (8Pin-Modular)	1
T9101275B	SP CABLE 1.1M (MP Type)	2
Q9000838A	CF Card 64MB (D/MP Type)	1
CP8124001	Remote Control Keypad FH-2	1

# Exploded View

## Frame ASSY (1)



REF.	VXSTD P/N	Description	Qty.
①	U20308007	BINDING HEAD SCREW M3X8B	4
②	U20306002	BINDING HEAD SCREW M3X6NI	4
③	U24306002	TAPTITE SCREW M3X6NI	6
④	U03306002	SEMS SCREW ASM3X6NI	16
	U03306002	SEMS SCREW ASM3X6NI (MP Type)	20
⑤	U03308002	SEMS SCREW ASM3X8NI	17
⑥	U20206002	BINDING HEAD SCREW M2.6X6NI	4
	U20206002	BINDING HEAD SCREW M2.6X6NI (CE Type)	8
⑦	U24306007	TAPTITE SCREW M3X6B	1
⑧	U24206002	TAPTITE SCREW M2.6X6NI	9
⑨	U20206007	BINDING HEAD SCREW M2.6X6B	2
⑩	U45308007	TAPTITE SCREW M3X8B	8
⑪	U66300001	FLANGE NUT N3	8

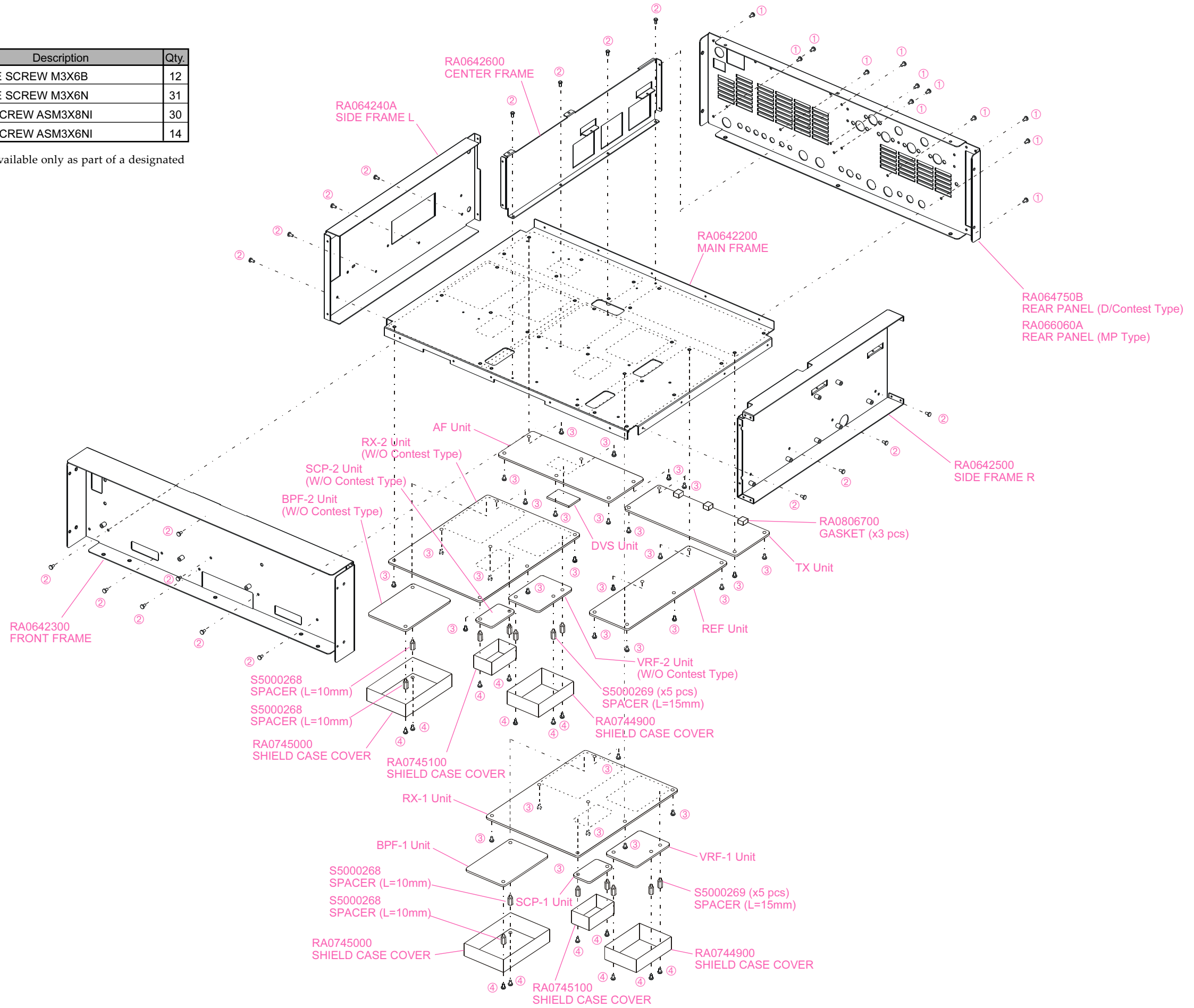
Non-designated parts are available only as part of a designated assembly.

## Exploded View-2

Frame ASSY (2)

REF.	VXSTD P/N	Description	Qty.
①	U24306007	TAPTITE SCREW M3X6B	12
②	U24306002	TAPTITE SCREW M3X6N	31
③	U03308002	SEMS SCREW ASM3X8NI	30
④	U03306002	SEMS SCREW ASM3X6NI	14

Non-designated parts are available only as part of a designated assembly.

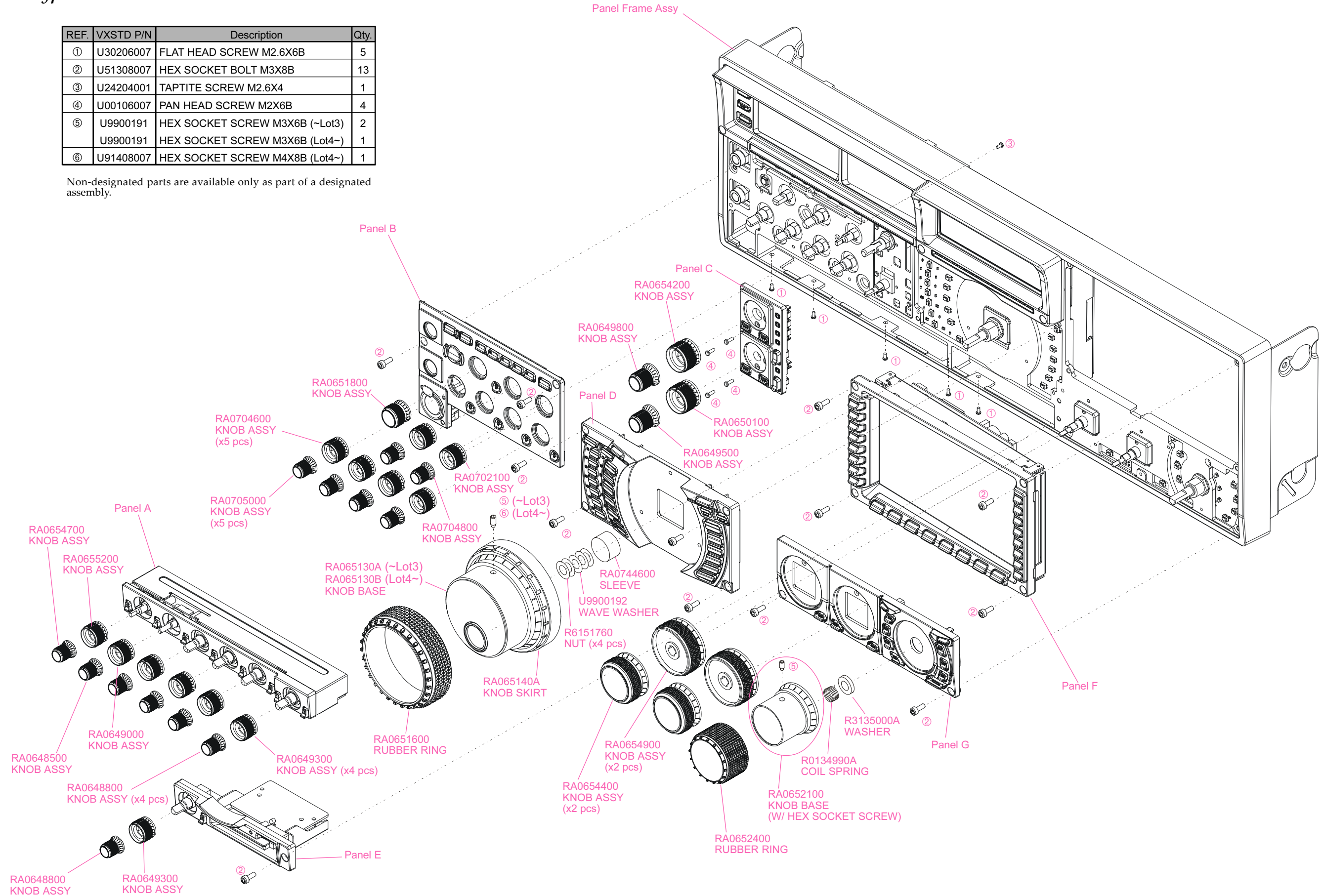


# Exploded View

## FT DX 9000D Type Panel ASSY

REF.	VXSTD P/N	Description	Qty.
①	U30206007	FLAT HEAD SCREW M2.6X6B	5
②	U51308007	HEX SOCKET BOLT M3X8B	13
③	U24204001	TAPTITE SCREW M2.6X4	1
④	U00106007	PAN HEAD SCREW M2X6B	4
⑤	U9900191	HEX SOCKET SCREW M3X6B (~Lot3)	2
⑥	U9900191	HEX SOCKET SCREW M3X6B (Lot4~)	1
⑥	U91408007	HEX SOCKET SCREW M4X8B (Lot4~)	1

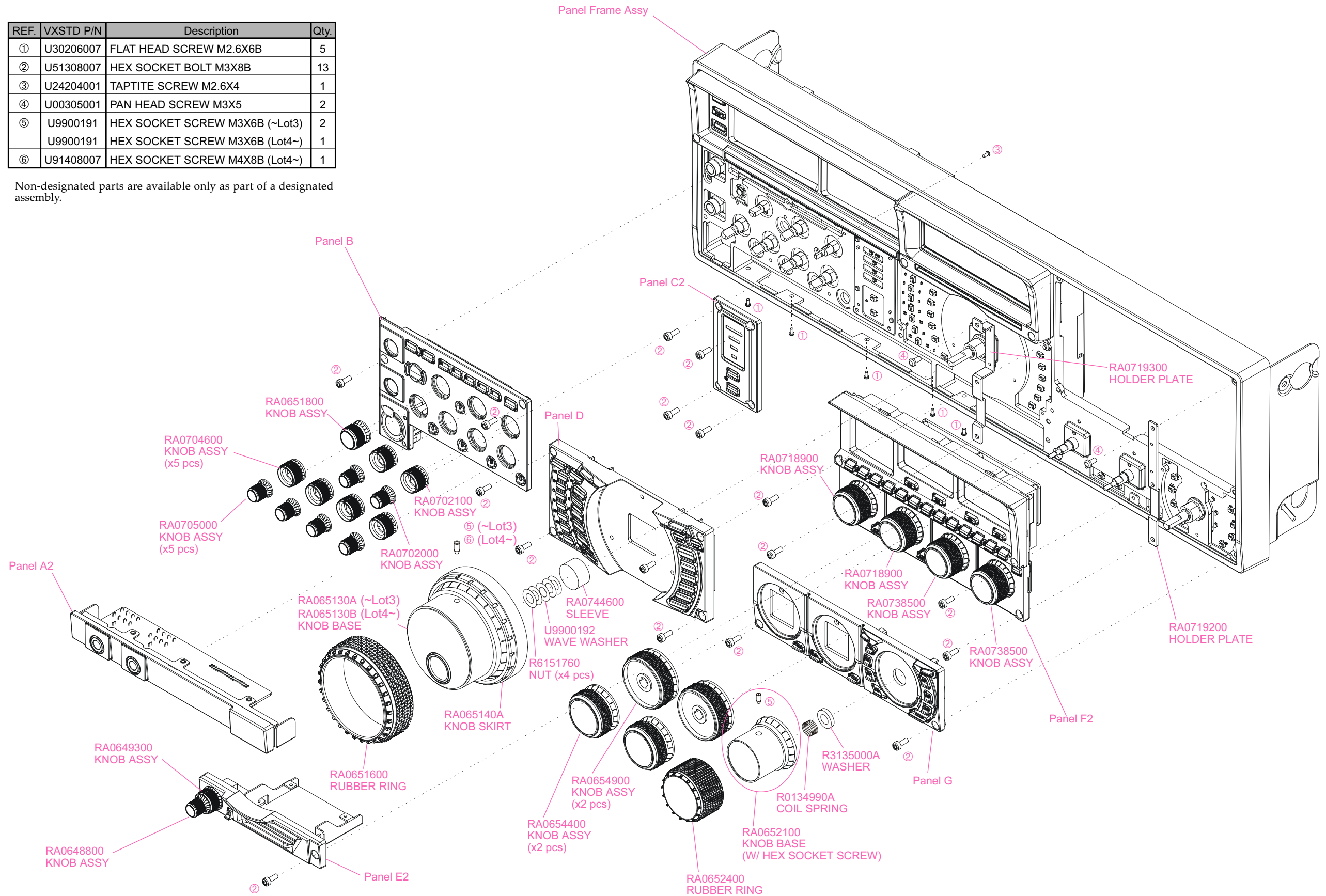
Non-designated parts are available only as part of a designated assembly.



FT DX 9000 Contest Type Panel ASSY

REF.	VXSTD P/N	Description	Qty.
①	U30206007	FLAT HEAD SCREW M2.6X6B	5
②	U51308007	HEX SOCKET BOLT M3X8B	13
③	U24204001	TAPTITE SCREW M2.6X4	1
④	U00305001	PAN HEAD SCREW M3X5	2
⑤	U9900191	HEX SOCKET SCREW M3X6B (~Lot3)	2
	U9900191	HEX SOCKET SCREW M3X6B (Lot4~)	1
⑥	U91408007	HEX SOCKET SCREW M4X8B (Lot4~)	1

Non-designated parts are available only as part of a designated assembly.

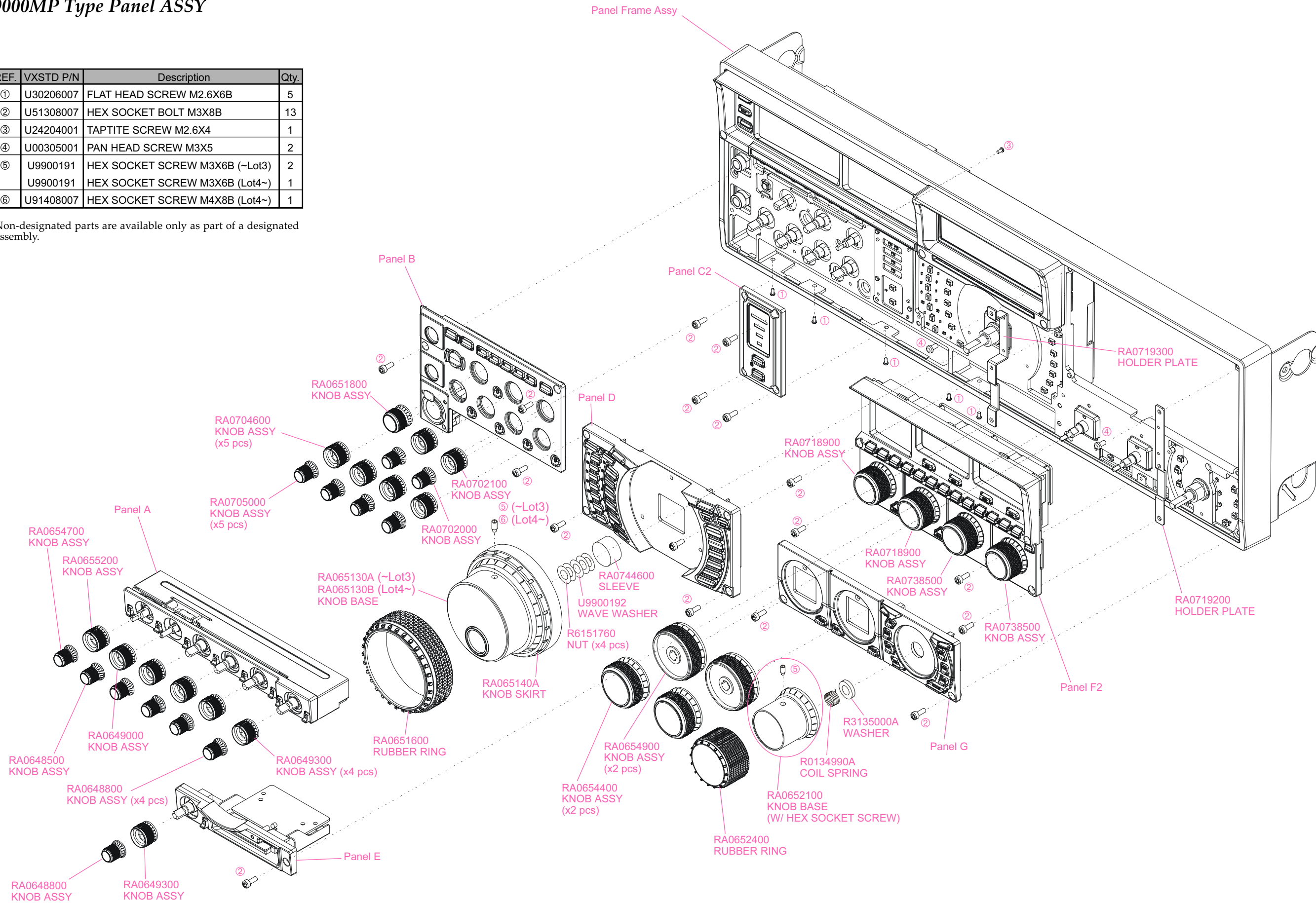


# Exploded View

## FT DX 9000MP Type Panel ASSY

REF.	VXSTD P/N	Description	Qty.
①	U30206007	FLAT HEAD SCREW M2.6X6B	5
②	U51308007	HEX SOCKET BOLT M3X8B	13
③	U24204001	TAPTITE SCREW M2.6X4	1
④	U00305001	PAN HEAD SCREW M3X5	2
⑤	U9900191	HEX SOCKET SCREW M3X6B (~Lot3)	2
	U9900191	HEX SOCKET SCREW M3X6B (Lot4~)	1
⑥	U91408007	HEX SOCKET SCREW M4X8B (Lot4~)	1

Non-designated parts are available only as part of a designated assembly.

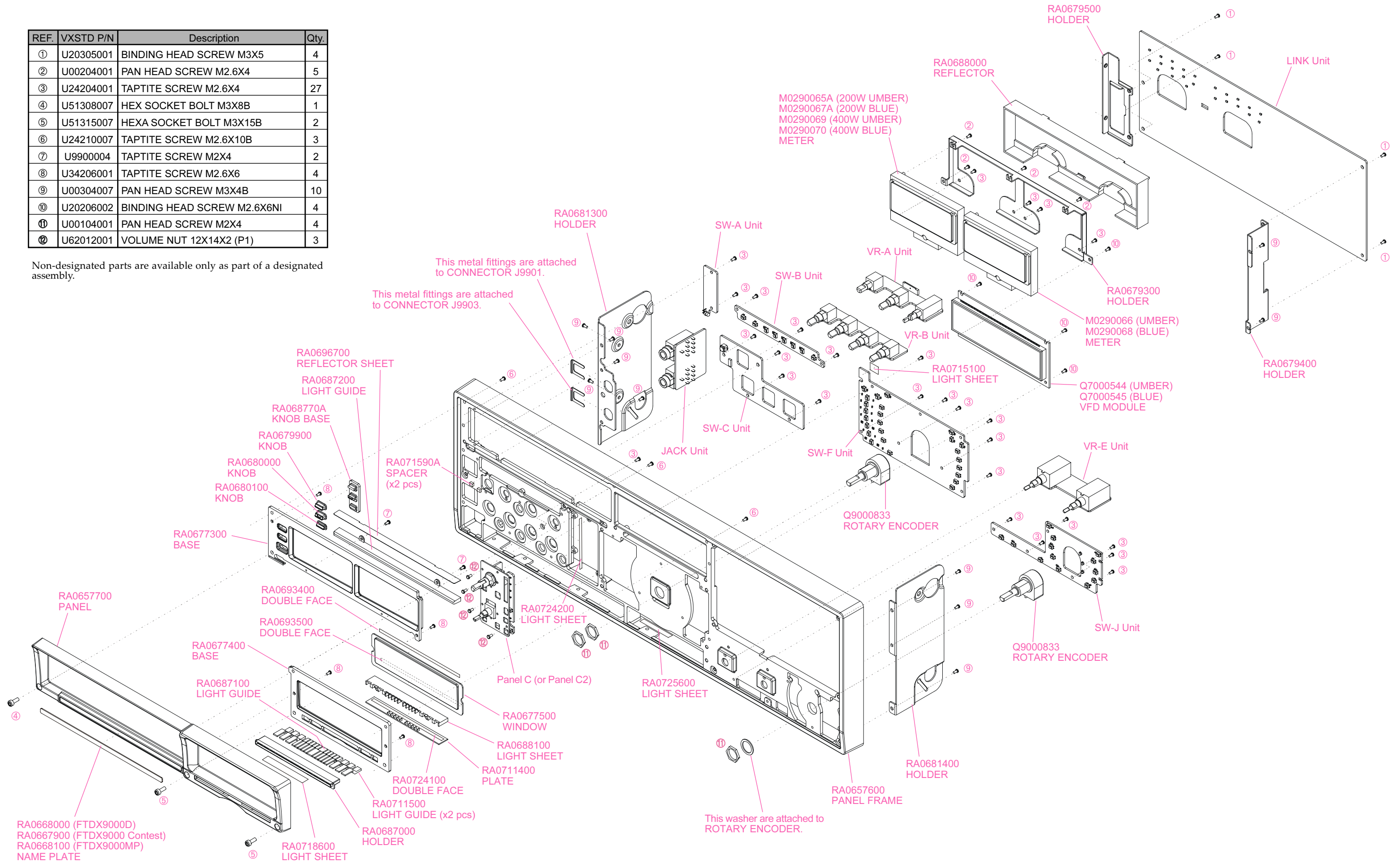




Panel Frame ASSY

REF.	VXSTD P/N	Description	Qty.
①	U20305001	BINDING HEAD SCREW M3X5	4
②	U00204001	PAN HEAD SCREW M2.6X4	5
③	U24204001	TAPTITE SCREW M2.6X4	27
④	U51308007	HEX SOCKET BOLT M3X8B	1
⑤	U51315007	HEX SOCKET BOLT M3X15B	2
⑥	U24210007	TAPTITE SCREW M2.6X10B	3
⑦	U9900004	TAPTITE SCREW M2X4	2
⑧	U34206001	TAPTITE SCREW M2.6X6	4
⑨	U00304007	PAN HEAD SCREW M3X4B	10
⑩	U20206002	BINDING HEAD SCREW M2.6X6NI	4
⑪	U00104001	PAN HEAD SCREW M2X4	4
⑫	U62012001	VOLUME NUT 12X14X2 (P1)	3

Non-designated parts are available only as part of a designated assembly.



## *Exploded View*

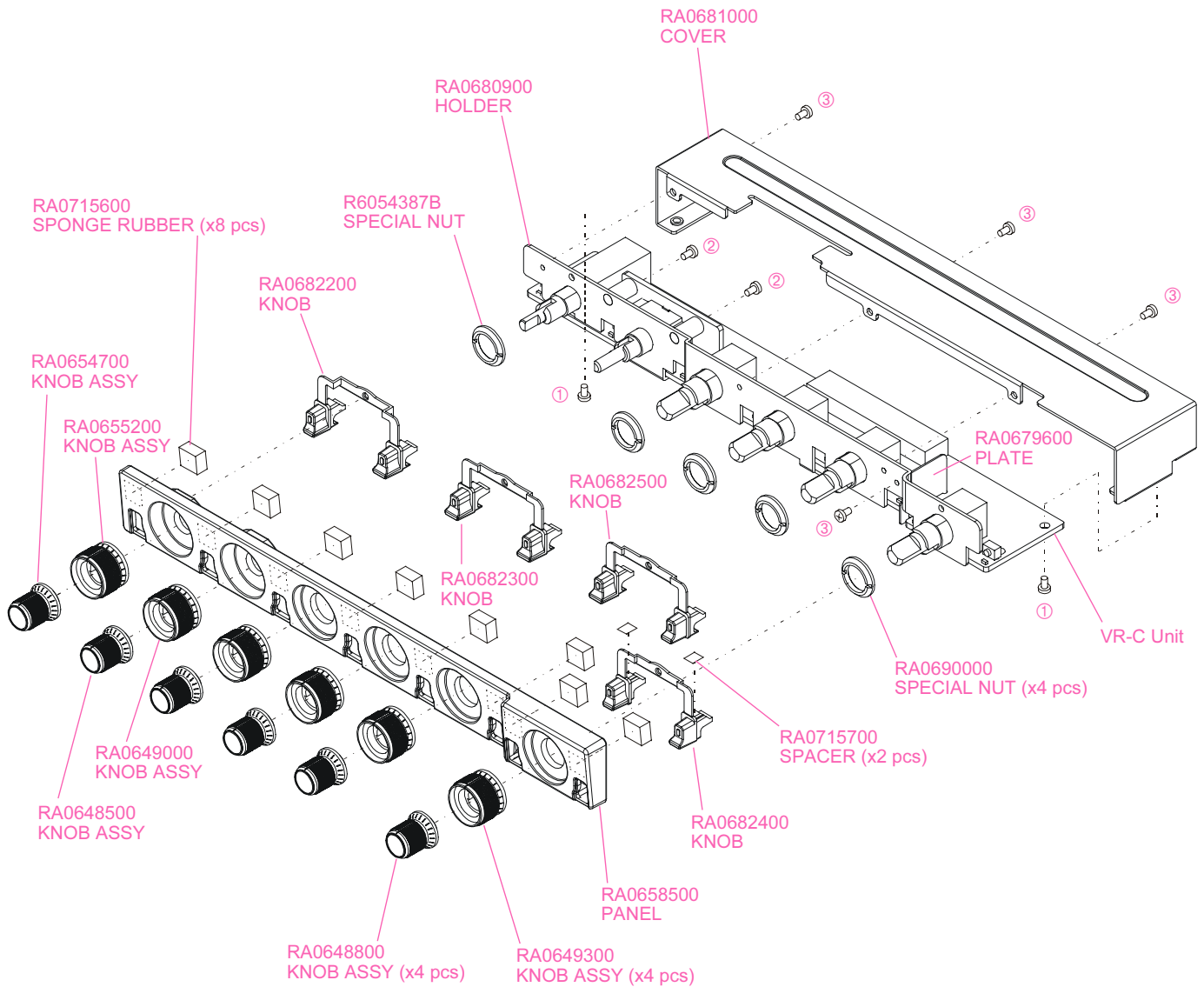
*Note*

# Exploded View

## Panel A

REF.	VXSTD P/N	Description	Qty.
①	U20205001	BINDING HEAD SCREW M2.6X5	2
②	U00204001	PAN HEAD SCREW M2.6X4	2
③	U9900035	TAPTITE SCREW M2X3	4

Non-designated parts are available only as part of a designated assembly.

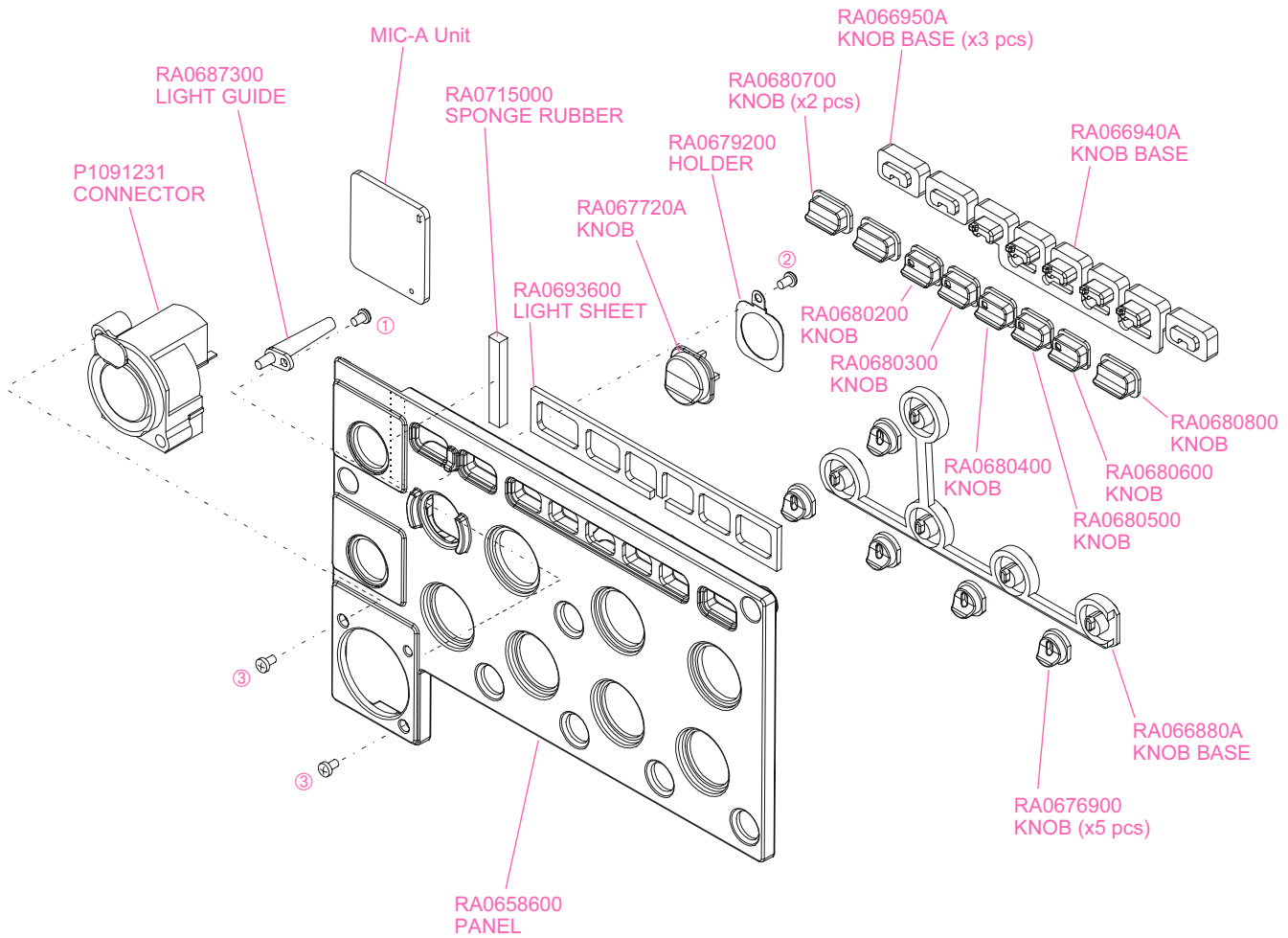


# Exploded View

## Panel B

REF.	VXSTD P/N	Description	Qty.
①	U9900004	TAPTITE SCREW M2X4	1
②	U9900035	TAPTITE SCREW M2X3	1
③	U44A08007	TAPTITE SCREW M2.5X8B	2

Non-designated parts are available only as part of a designated assembly.

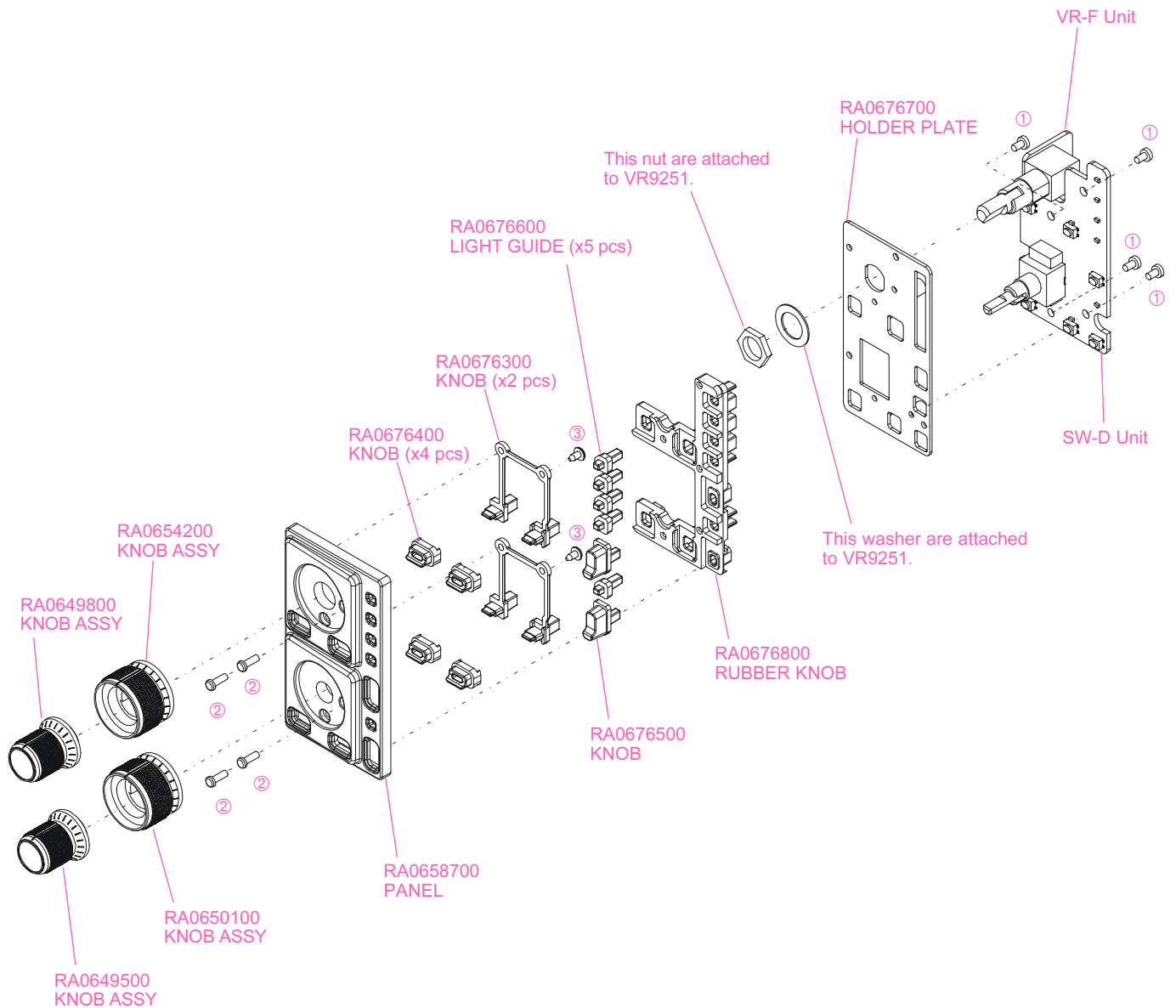


# Exploded View

## Panel C

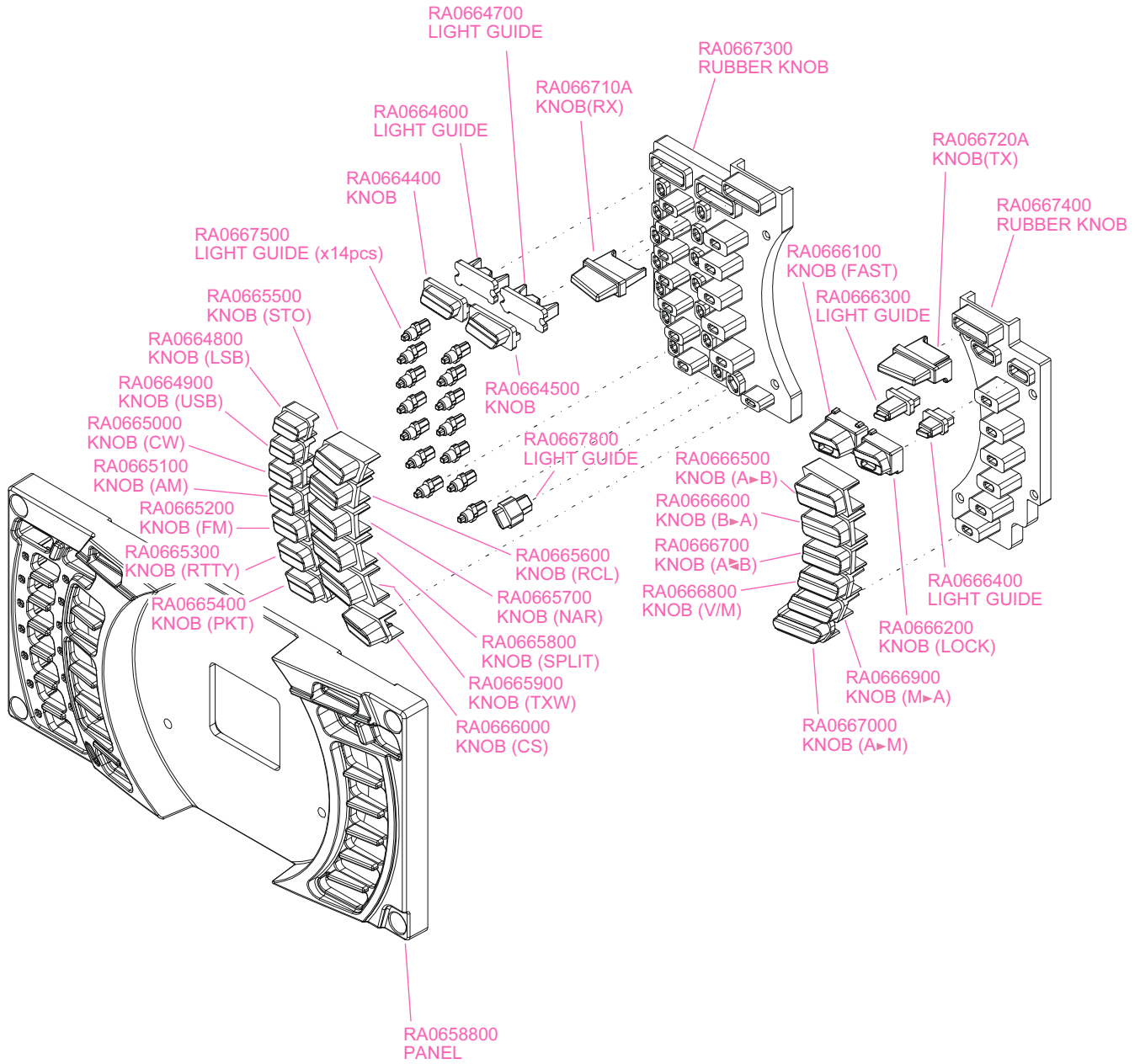
REF.	VXSTD P/N	Description	Qty.
①	U20205001	BINDING HEAD SCREW M2.6X5	4
②	U00106007	PAN HEAD SCREW M2X6B	4
③	U9900004	TAPTITE SCREW M2X4	2

Non-designated parts are available only as part of a designated assembly.



# Exploded View

## Panel D

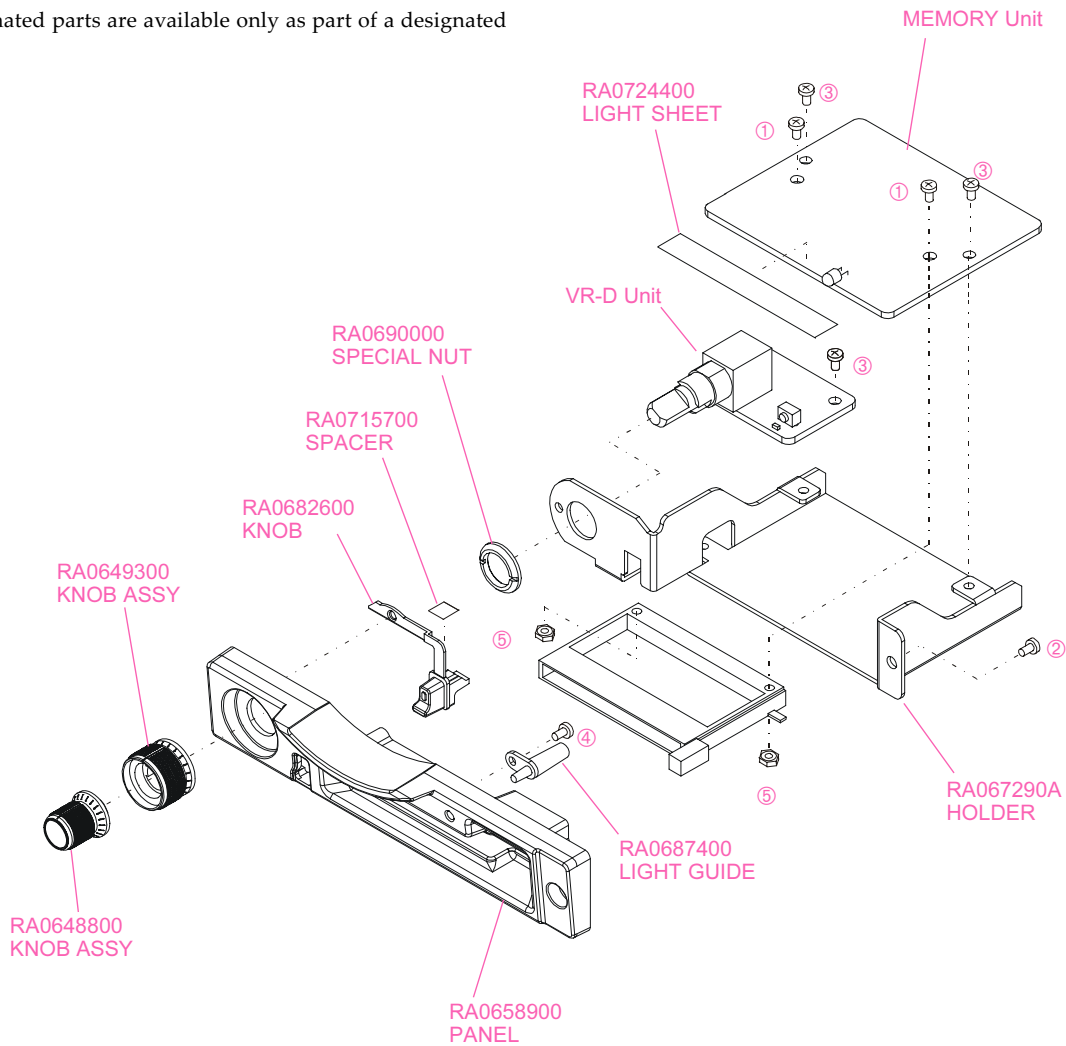


# Exploded View

## Panel E

REF.	VXSTD P/N	Description	Qty.
①	U20106001	BINDING HEAD SCREW M2X6	2
②	U24205001	TAPTITE SCREW M2.6X5	1
③	U24204001	TAPTITE SCREW M2.6X4	3
④	U9900004	TAPTITE SCREW M2X4	1
⑤	U60100301	HEX NUT N2	2

Non-designated parts are available only as part of a designated assembly.

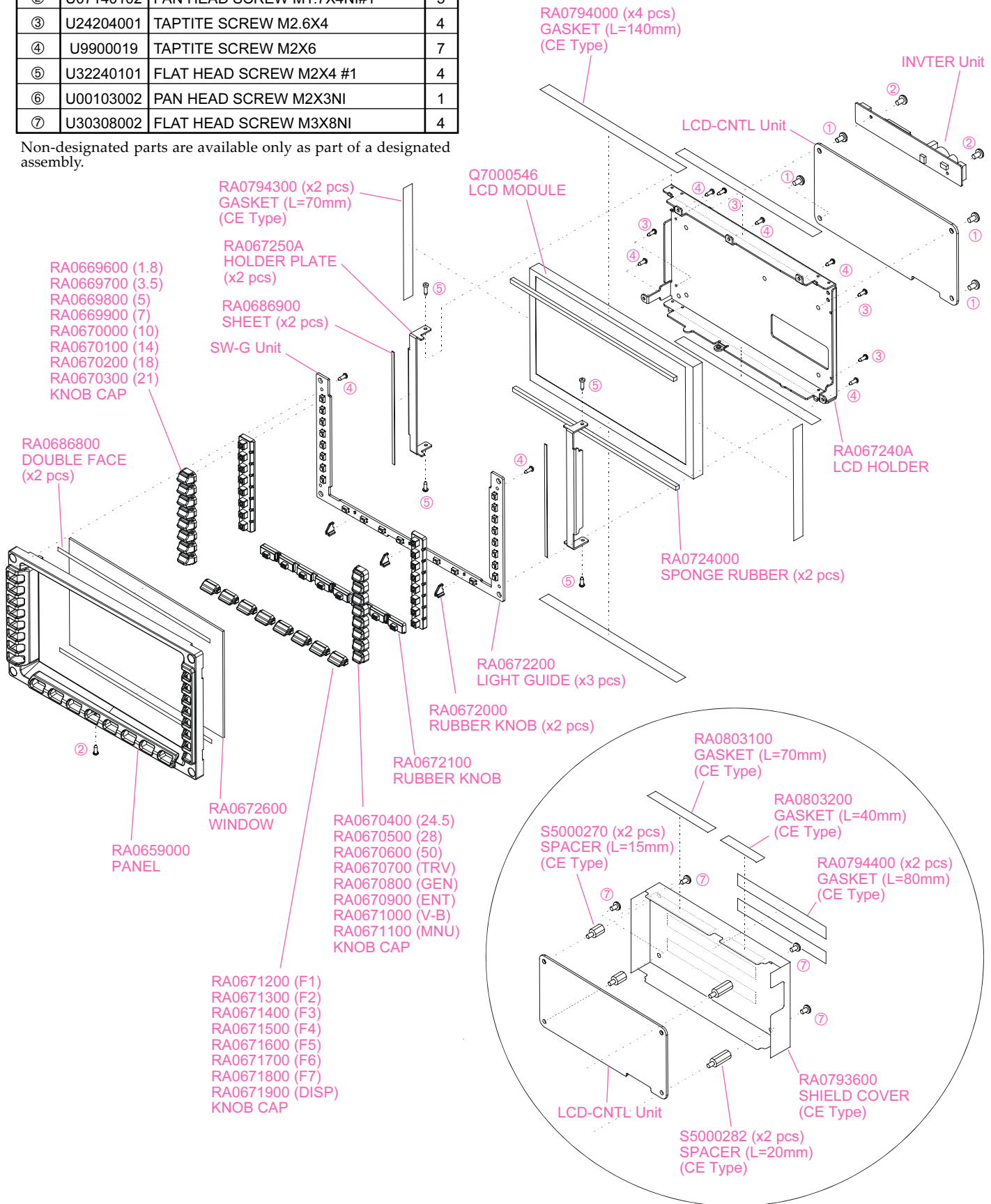


# Exploded View

## Panel F

REF.	VXSTD P/N	Description	Qty.
①	U20305001	BINDING HEAD SCREW M3X5	4
②	U07140102	PAN HEAD SCREW M1.7X4NI#1	3
③	U24204001	TAPTITE SCREW M2.6X4	4
④	U9900019	TAPTITE SCREW M2X6	7
⑤	U32240101	FLAT HEAD SCREW M2X4 #1	4
⑥	U00103002	PAN HEAD SCREW M2X3NI	1
⑦	U30308002	FLAT HEAD SCREW M3X8NI	4

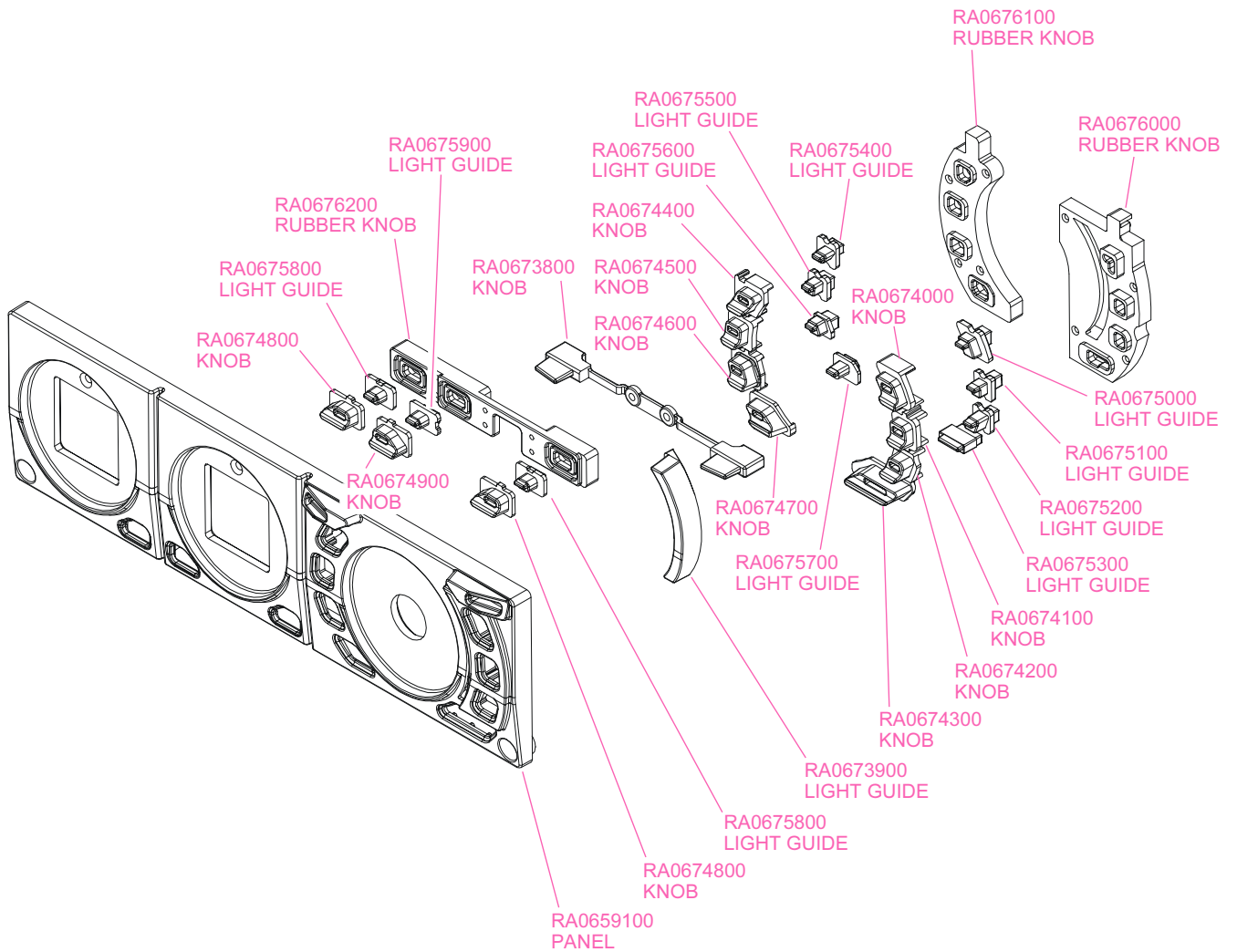
Non-designated parts are available only as part of a designated assembly.





# Exploded View

## Panel G

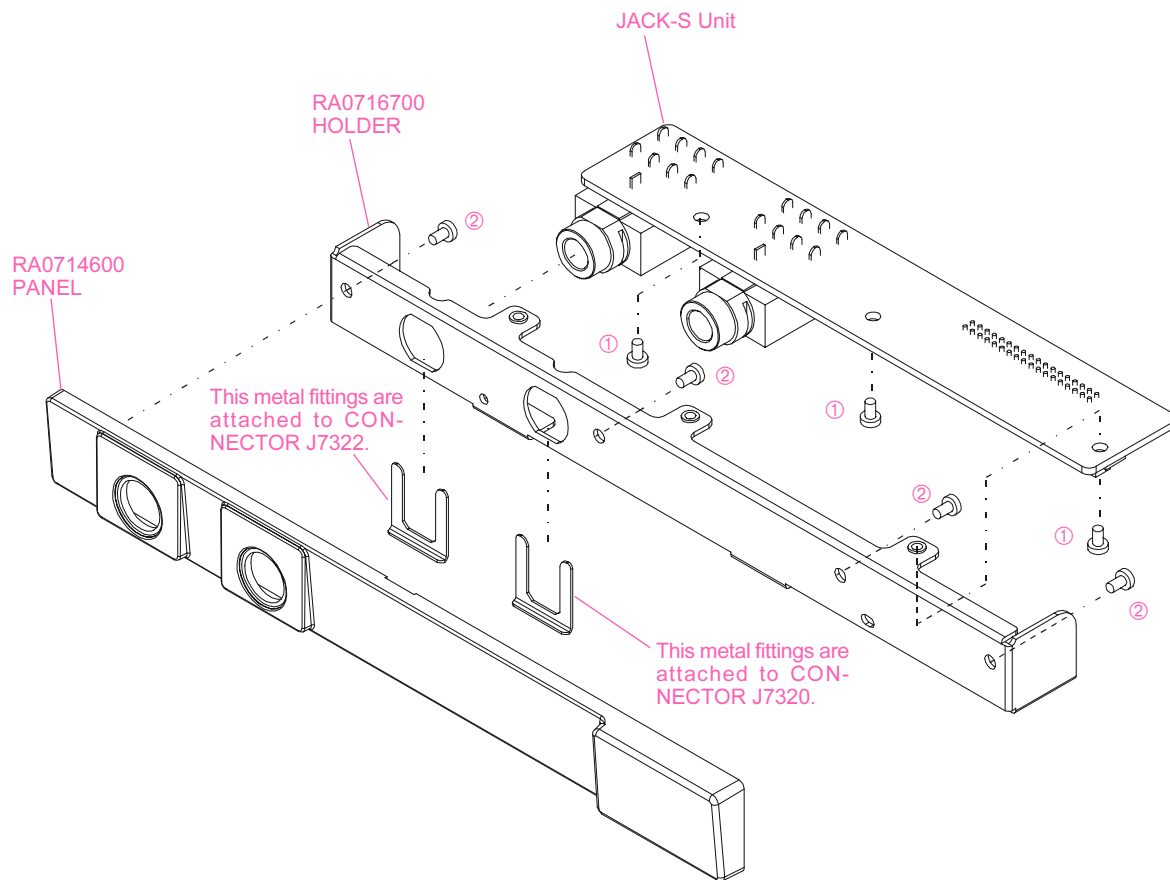


# Exploded View

## Panel A2 (Contest /MP Type)

REF.	VXSTD P/N	Description	Qty.
①	U20205001	BINDING HEAD SCREW M2.6X5	3
②	U24205001	TAPTITE SCREW M2.6X5	4

Non-designated parts are available only as part of a designated assembly.

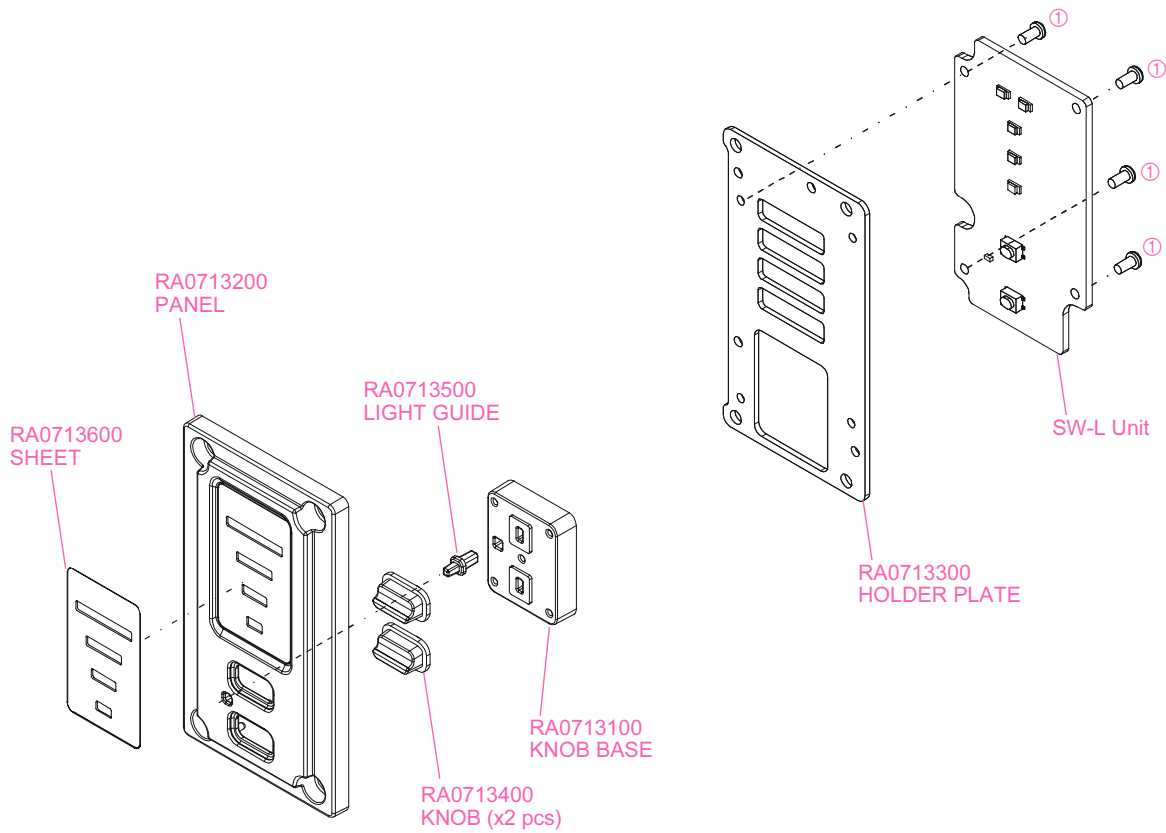


# Exploded View

## Panel C2 (Contest /MP Type)

REF.	VXSTD P/N	Description	Qty.
①	U00104001	PAN HEAD SCREW M2X4	4

Non-designated parts are available only as part of a designated assembly.

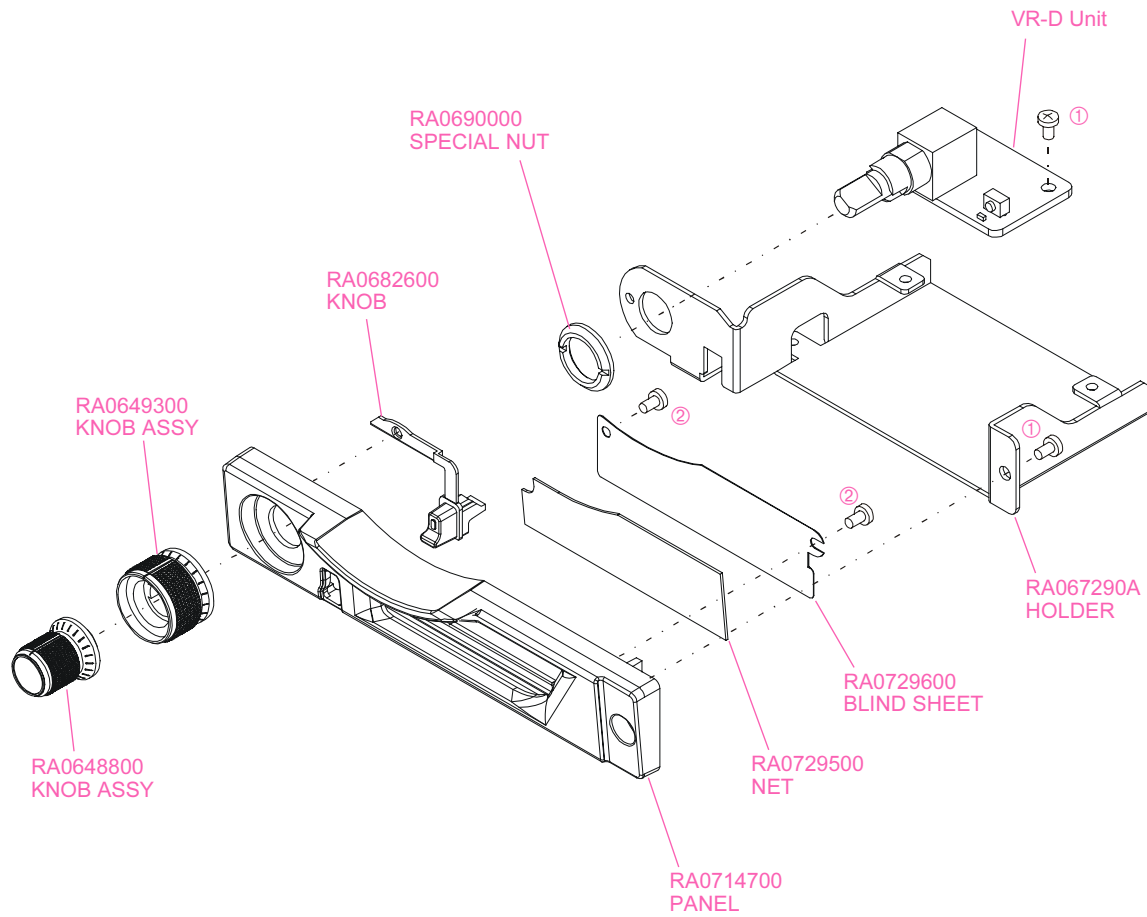


# Exploded View

## Panel E2 (Contest /MP Type)

REF.	VXSTD P/N	Description	Qty.
①	U24205001	TAPTITE SCREW M2.6X5	2
②	U24104001	TAPTITE SCREW M2X4	2

Non-designated parts are available only as part of a designated assembly.

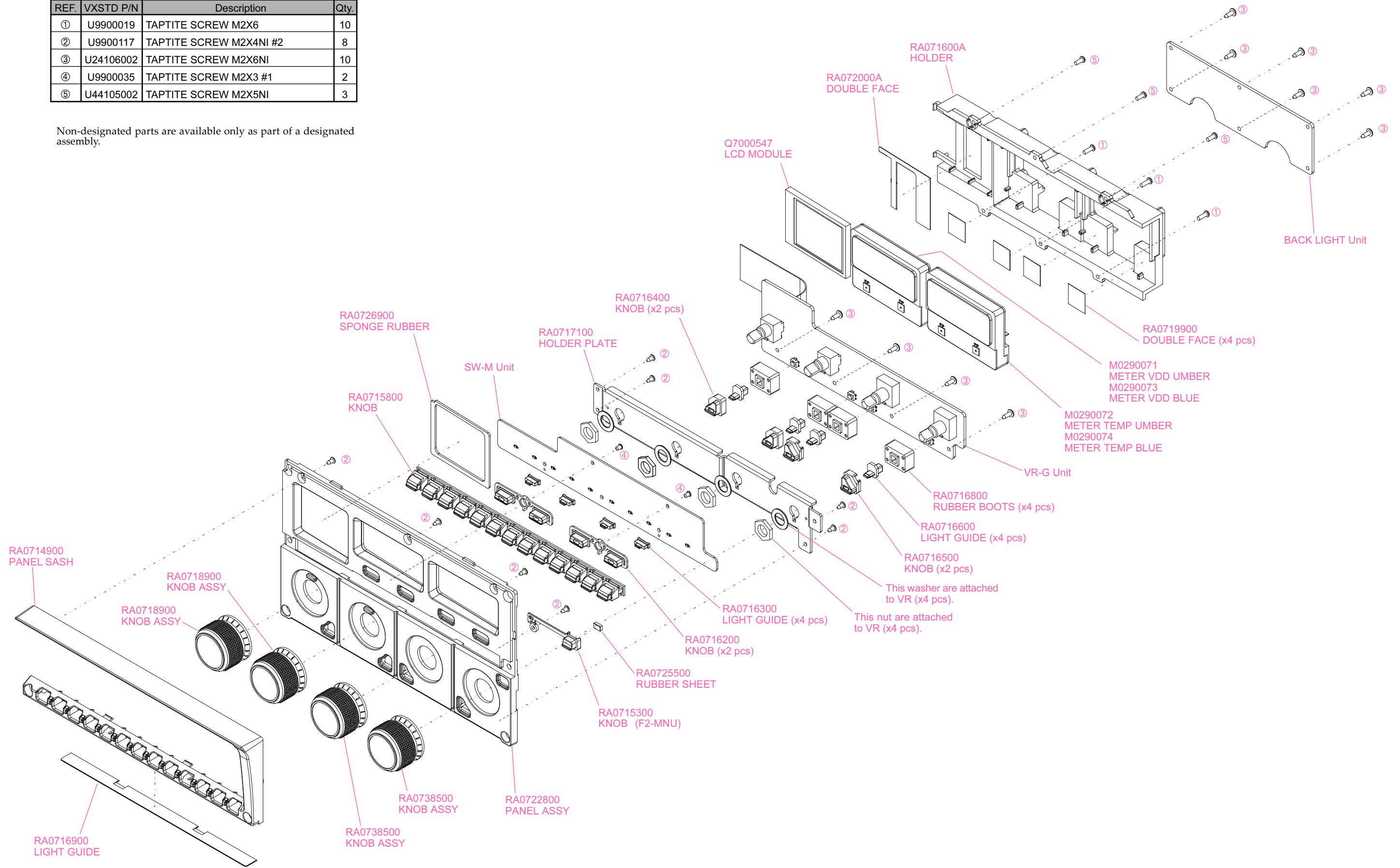


# Exploded View

## Panel F2

REF.	VXSTD P/N	Description	Qty.
①	U9900019	TAPTITE SCREW M2X6	10
②	U9900117	TAPTITE SCREW M2X4NI #2	8
③	U24106002	TAPTITE SCREW M2X6NI	10
④	U9900035	TAPTITE SCREW M2X3 #1	2
⑤	U44105002	TAPTITE SCREW M2X5NI	3

Non-designated parts are available only as part of a designated assembly.

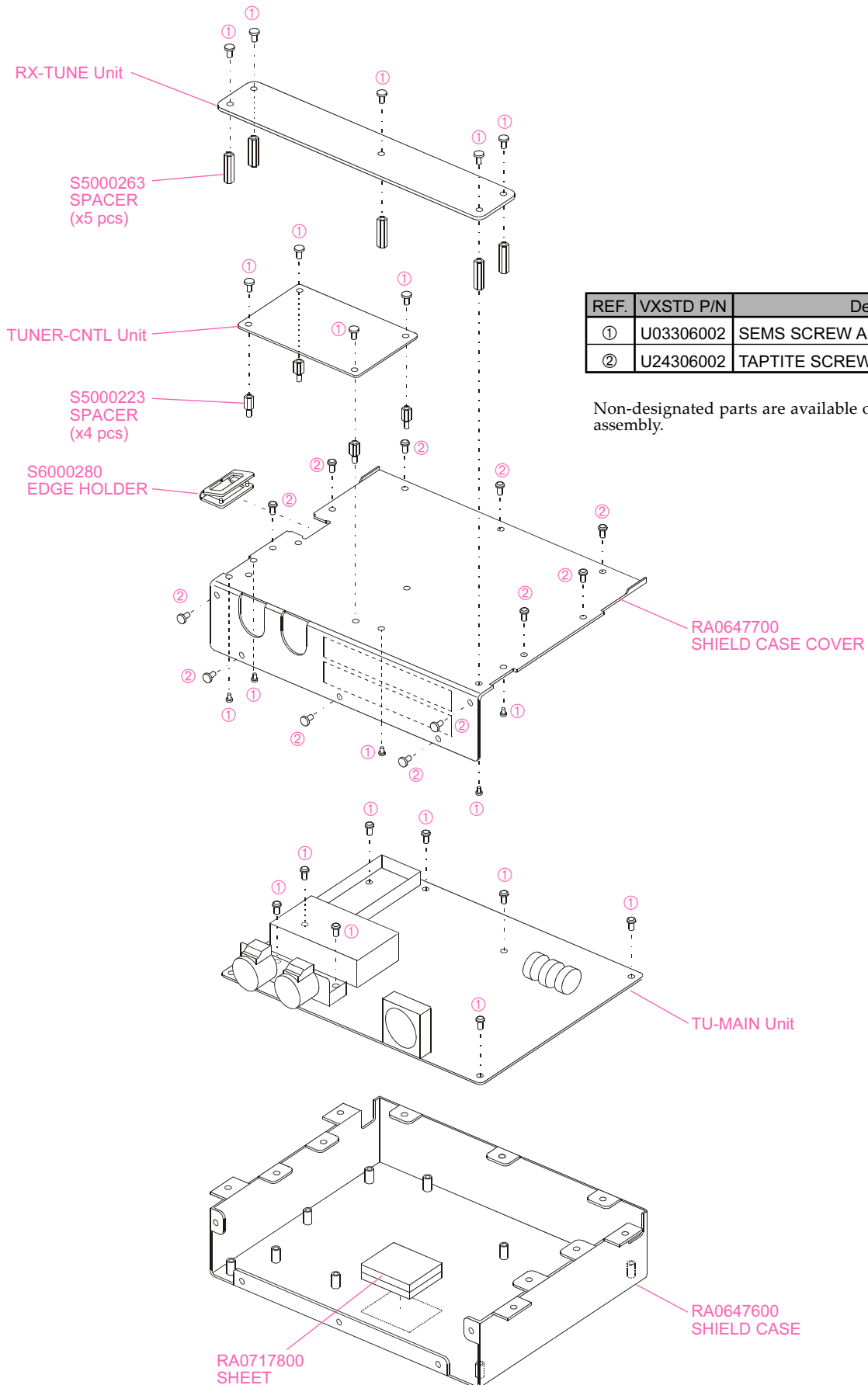


## *Exploded View*

*Note*

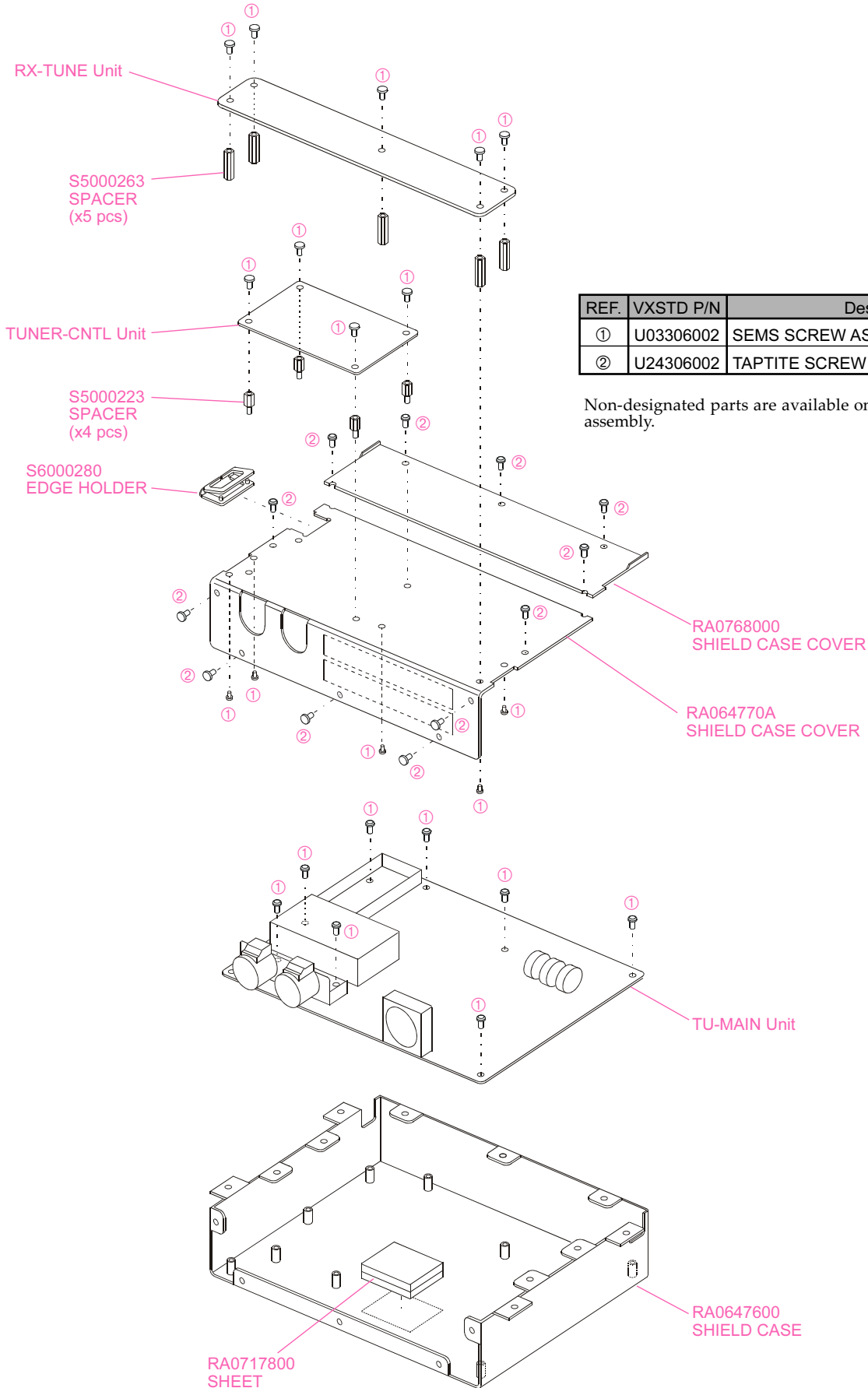
# Exploded View

## FT DX 9000D/Contest Type TUNE Unit (~Lot.3)



# Exploded View

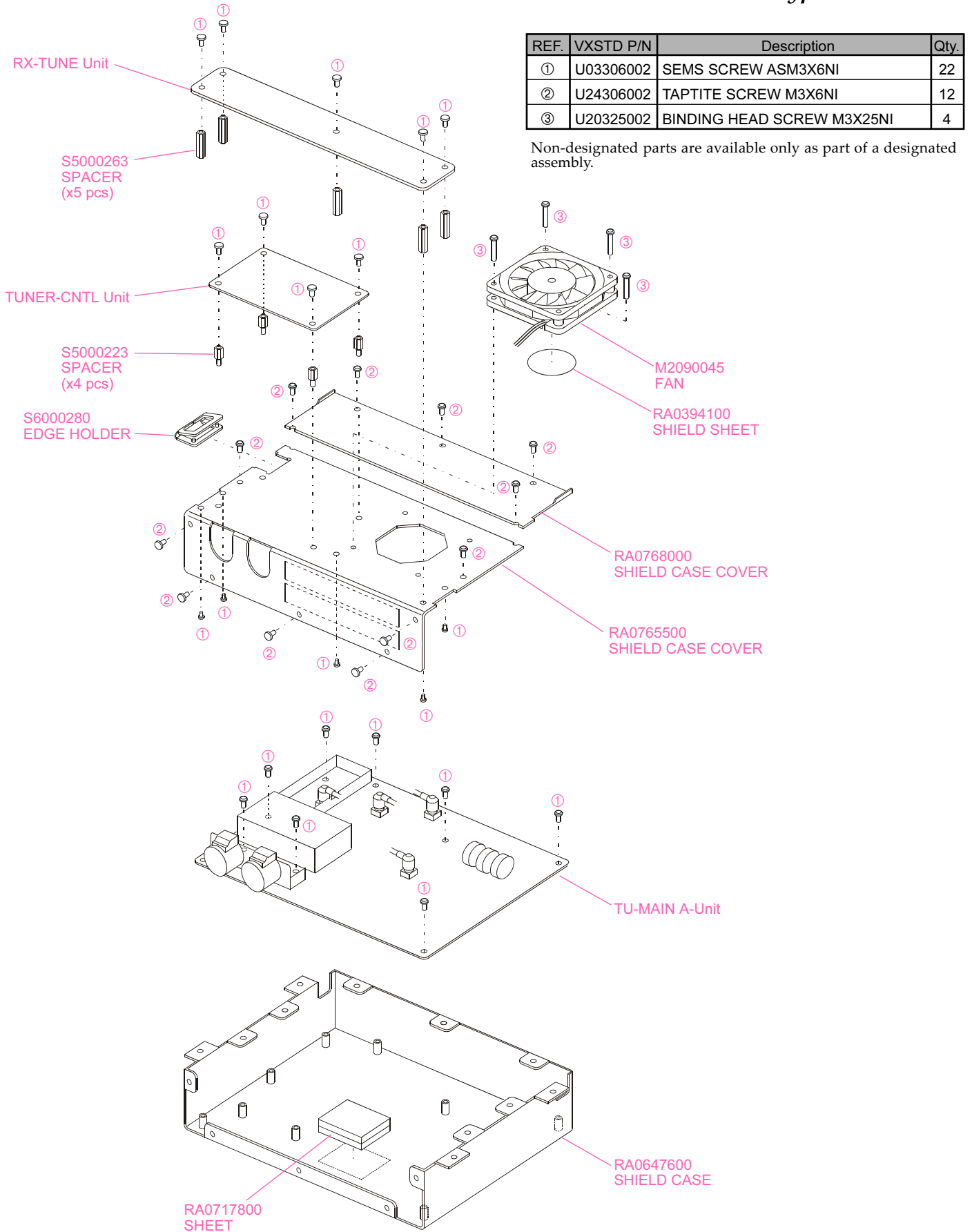
## FT DX 9000D/Contest Type TUNE Unit (Lot.4~)





# Exploded View

## FT DX 9000MP Type TUNE Unit

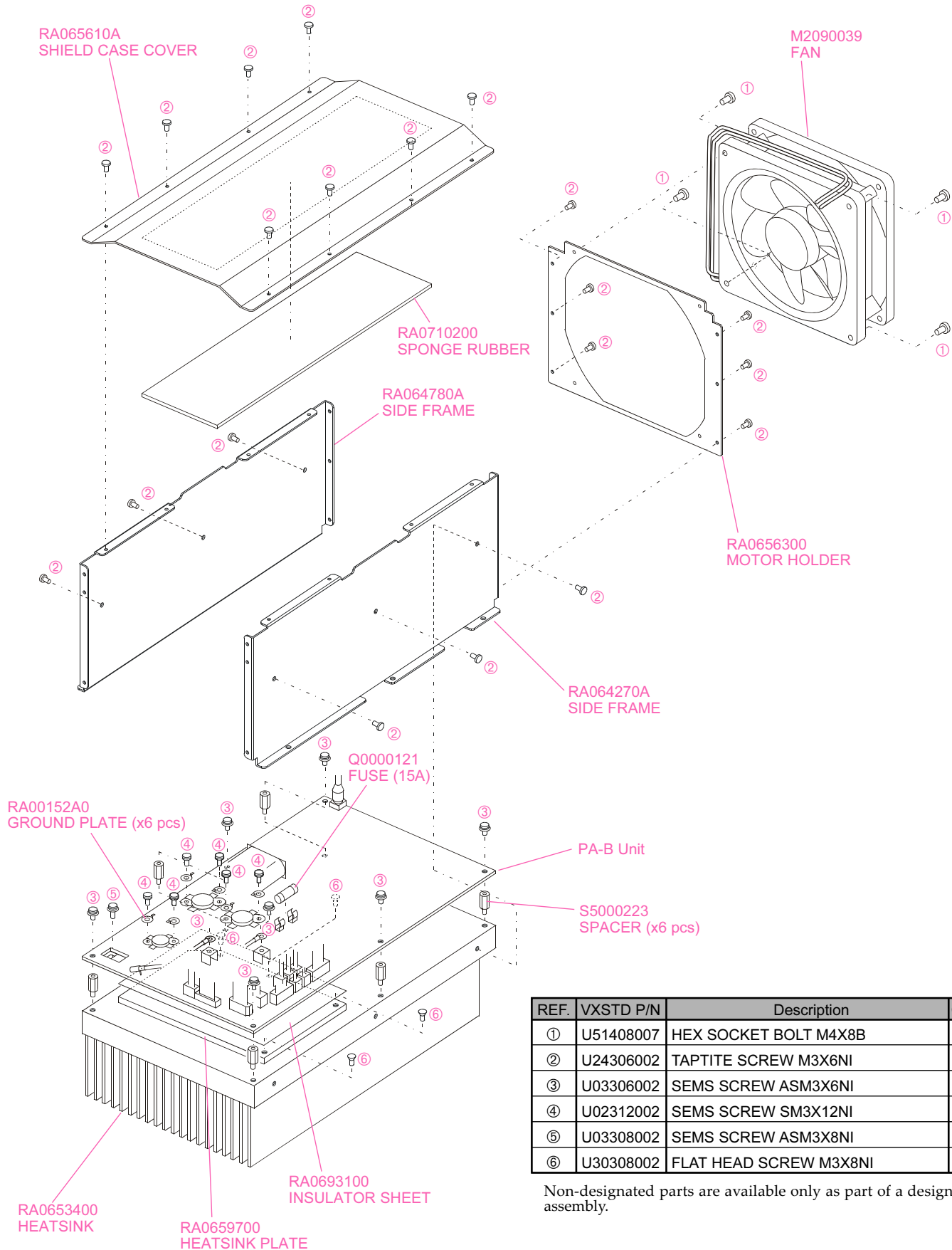


REF.	VXSTD P/N	Description	Qty.
①	U03306002	SEMS SCREW ASM3X6NI	22
②	U24306002	TAPTITE SCREW M3X6NI	12
③	U20325002	BINDING HEAD SCREW M3X25NI	4

Non-designated parts are available only as part of a designated assembly.

# Exploded View

## FT DX 9000D/Contest Type 200W PA-B Unit

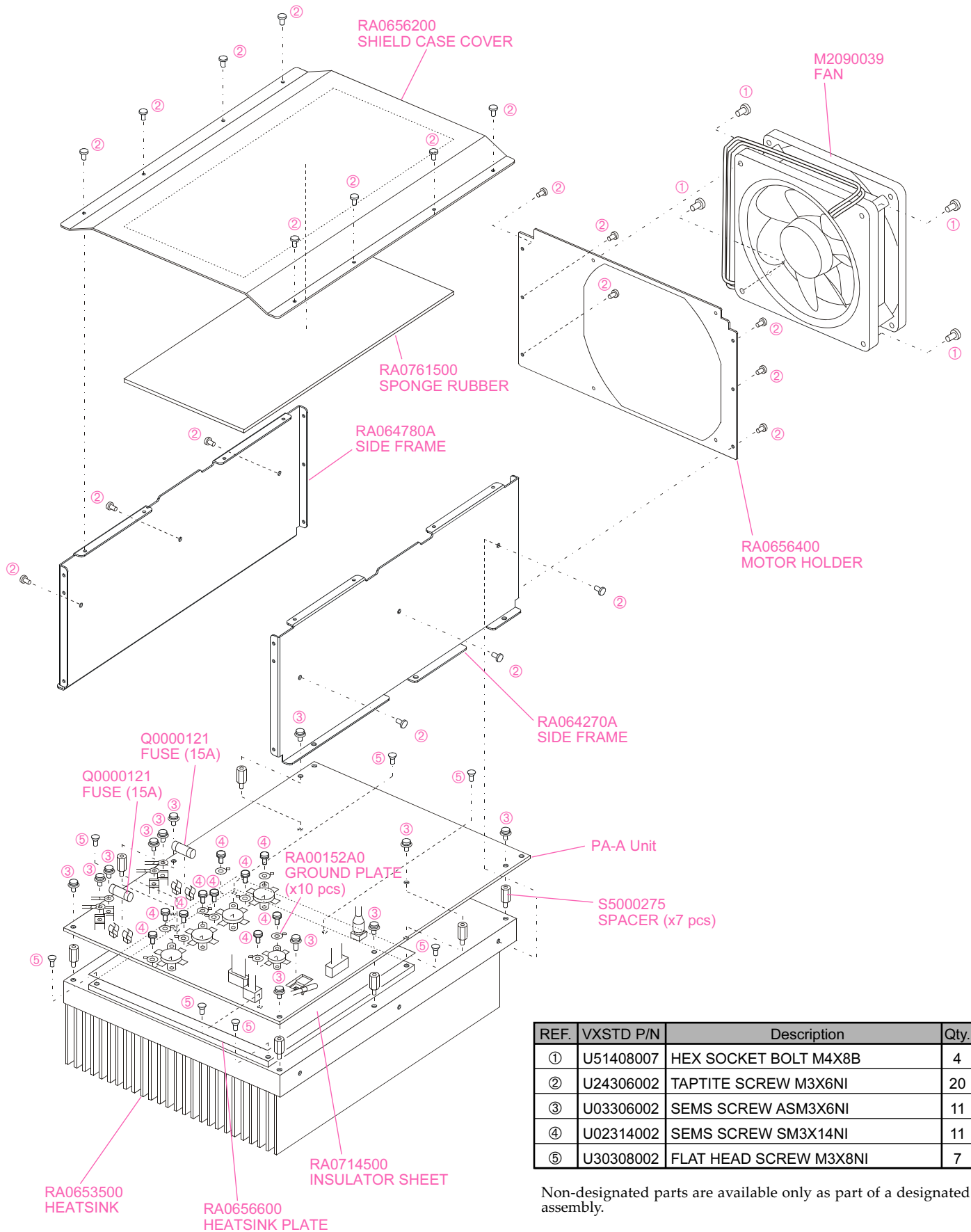


REF.	VXSTD P/N	Description	Qty.
①	U51408007	HEX SOCKET BOLT M4X8B	4
②	U24306002	TAPTITE SCREW M3X6NI	20
③	U03306002	SEMS SCREW ASM3X6NI	9
④	U02312002	SEMS SCREW SM3X12NI	6
⑤	U03308002	SEMS SCREW ASM3X8NI	1
⑥	U30308002	FLAT HEAD SCREW M3X8NI	4

Non-designated parts are available only as part of a designated assembly.

# Exploded View

## FT DX 9000MP Type 400W PA-A Unit



REF.	VXSTD P/N	Description	Qty.
①	U51408007	HEX SOCKET BOLT M4X8B	4
②	U24306002	TAPTITE SCREW M3X6NI	20
③	U03306002	SEMS SCREW ASM3X6NI	11
④	U02314002	SEMS SCREW SM3X14NI	11
⑤	U30308002	FLAT HEAD SCREW M3X8NI	7

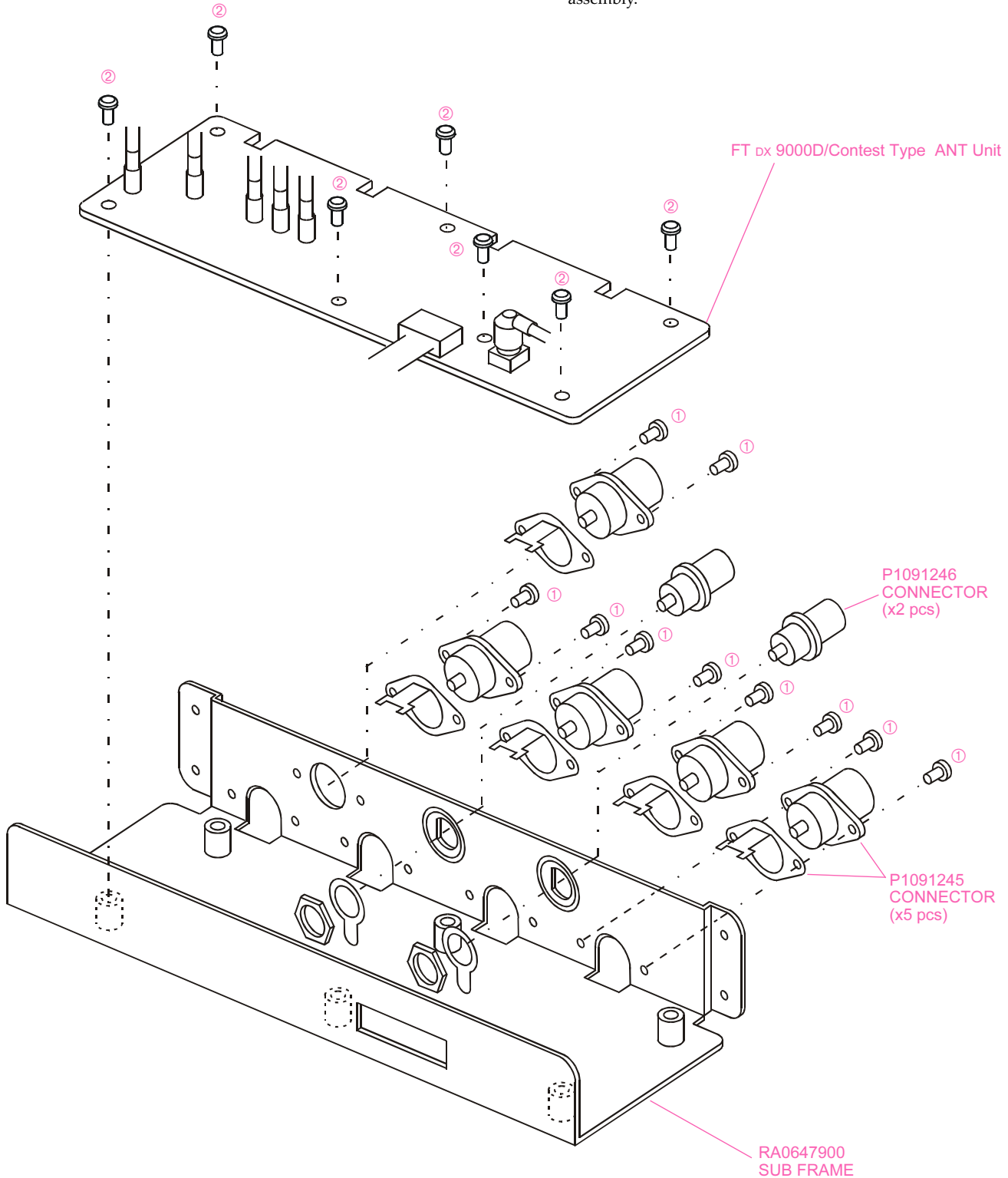
Non-designated parts are available only as part of a designated assembly.

# Exploded View

## FT DX 9000D/Contest Type ANT Unit

REF.	VXSTD P/N	Description	Qty.
①	U44308007	TAPTITE SCREW M3X8B	10
②	U03308002	SEMS SCREW ASM3X8NI	7

Non-designated parts are available only as part of a designated assembly.

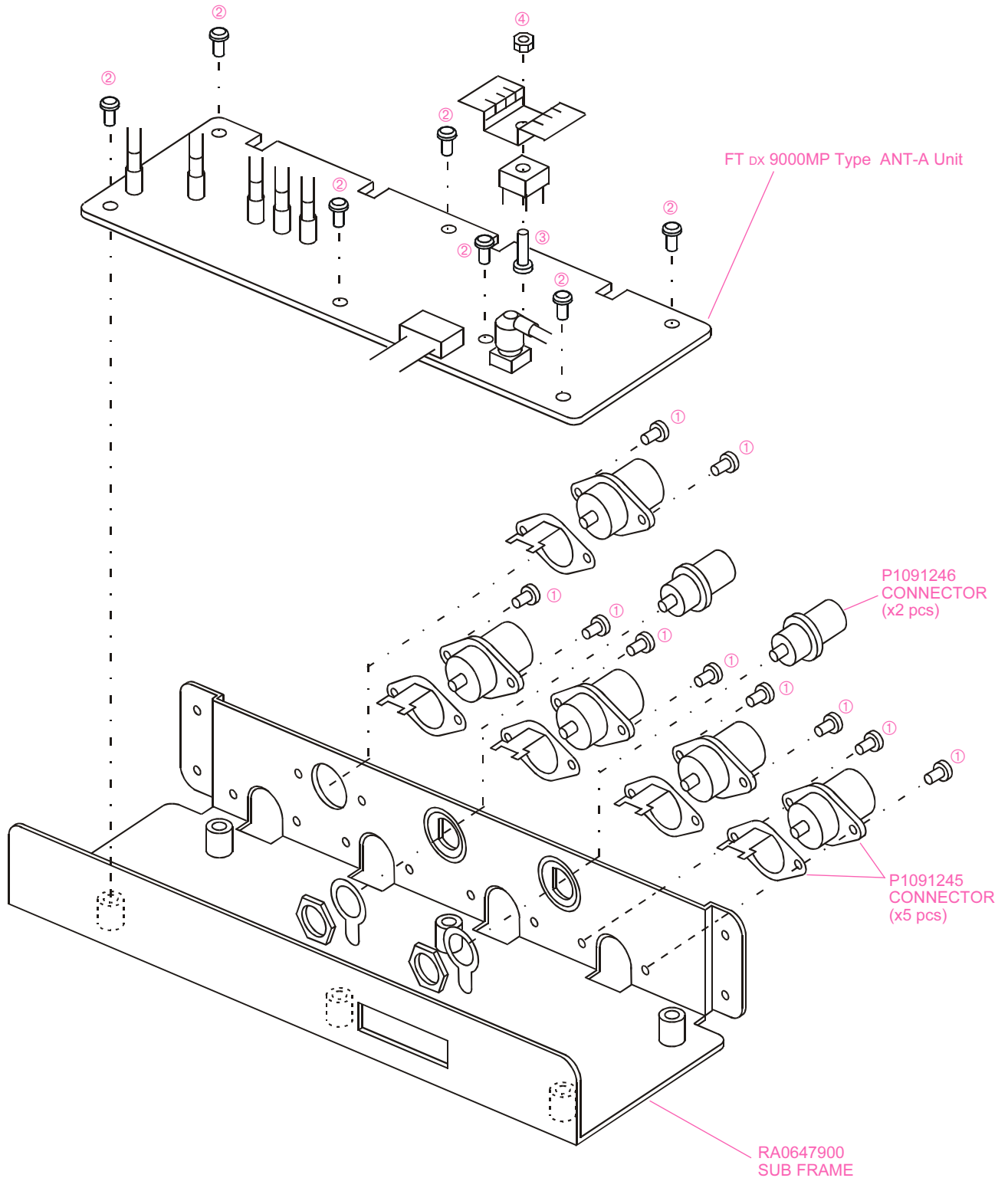


# Exploded View

## FT DX 9000MP Type ANT-A Unit

REF.	VXSTD P/N	Description	Qty.
①	U44308007	TAPTITE SCREW M3X8B	10
②	U03308002	SEMS SCREW ASM3X8NI	7
③	U02312002	SEMS SCREW SM3X12NI	1
④	U66300002	FLANGE NUT N3NI	1

Non-designated parts are available only as part of a designated assembly.



# *Exploded View*

*Note*

## *Introduction and Precautions*

The following procedures cover adjustments that are not normally required once the transceiver has left the factory. However, if damage occurs and some parts subsequently be replaced, realignment may be required. If a sudden problem occurs during normal operation, it is likely due to component failure; realignment should not be done until after the faulty component has been replaced.

We recommend that servicing be performed by authorized Vertex Standard service technicians, experienced with the circuitry and fully equipped for repair and alignment. If a fault is suspected, contact the selling dealer for instructions regarding repair. Authorized Vertex Standard service technicians have the latest configuration information, and realign all circuits and make complete performance checks to ensure compliance with factory specifications after repairs.

Those who do undertake any of the following alignments are cautioned to proceed at their own risk. Problems caused by unauthorized attempts at realignment are not covered by the warranty policy. Also, Vertex Standard must reserve the right to change circuits and alignment procedures in the interest of improved performance, without notifying owners.

Under no circumstances should any alignment be attempted unless the normal function and operation of the transceiver are clearly understood, the cause of the malfunction has been clearly pinpointed and any faulty components replaced, and the need for realignment determined to be absolutely necessary.

The following test equipment (and thorough familiarity with its correct use) is necessary for complete realignment. Most steps do not require all of the equipment listed, but the interactions of some adjustments may require that more complex adjustments be performed in a sequence. Do not attempt to perform only a single step unless it is clearly isolated electrically from all other steps. Rather, have all test equipment ready before beginning, and follow all of the steps in a section in the order they are presented.

## *Required Test Equipment*

- Digital DC Voltmeter (high-Z, 1 M-Ohm/V)
- DC Ammeter
- RF Millivoltmeter
- AC Voltmeter
- RF Standard Signal Generator w/calibrated output and dB scale, 0 dB $\mu$  = 0.5 $\mu$ V
- Signal Generator with calibrated output
- Spectrum Analyzer good to at least 1 GHz.
- Frequency Counter
- 50-Ohm Dummy Load (500 watts)
- 100-Ohm Dummy Load (500 watts)
- 150-Ohm Dummy Load (500 watts)
- In-Line Wattmeter (500 watts, 50-Ohm)
- Linear Detector
- RF Coupler

## *Alignment Preparation & Precautions*

A 50-ohm RF Dummy load and in-line wattmeter must be connected to the main antenna jack in all procedures that call for transmission, except where specified otherwise. Correct alignment is not possible with an antenna.

After completing one step, read the following step to determine whether the same test equipment will be required. If not, remove the test equipment (except dummy load and wattmeter, if connected) before proceeding.

Correct alignment requires that the ambient temperature be the same as that of the transceiver and test equipment, and that this temperature be held constant between 68 °F ~ 86 °F (20 °C ~ 30 °C). When the transceiver is brought into the shop from hot or cold air, it should be allowed time to come to room temperature before alignment.

Whenever possible, alignments should be made with oscillator shields and circuit boards firmly affixed in place. Also, the test equipment must be thoroughly warmed up before beginning.

**Note:** Signal levels in dB referred to in this procedure are based on 0 dB $\mu$  = 0.5  $\mu$ V (closed circuit).

# Alignment

## Analog Meter Adjustment

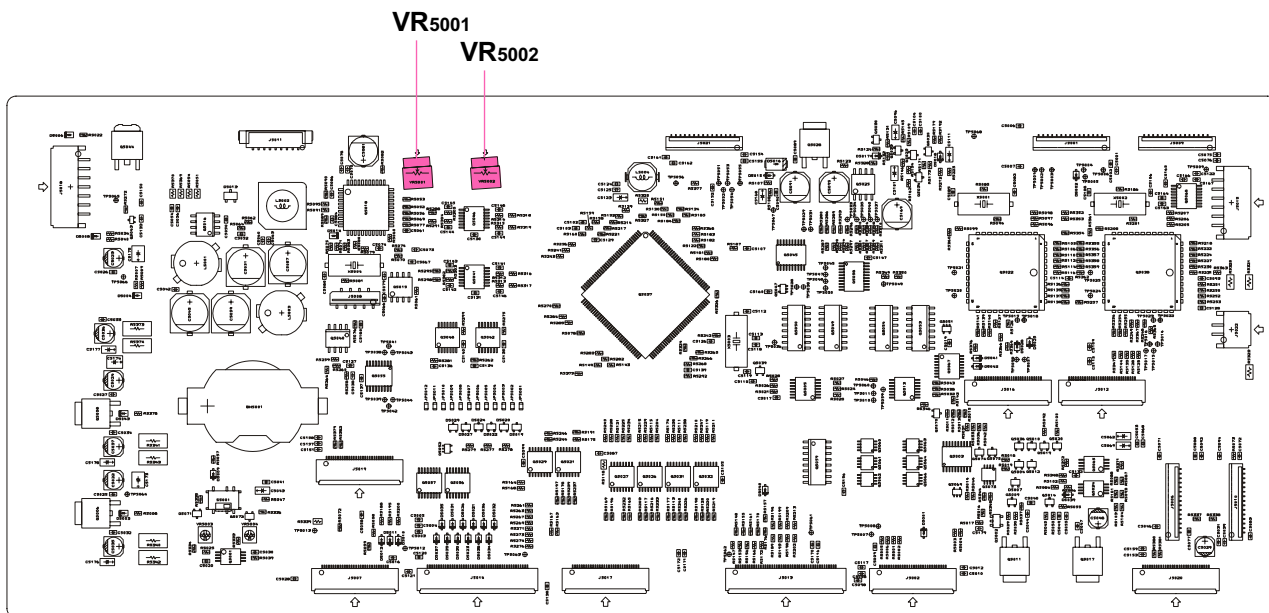
- ❑ Press and hold in the [ANT1], [ANT3], and [RX ANT] keys, while turning the radio on, to enter the alignment mode.
- ❑ Rotate the Main Dial knob to select the alignment parameter “01.”
- ❑ Rotate the CLAR/VFO-B knob so that the VFO-B frequency display is displayed as “255.”
- ❑ Adjust VR5001 on the CNTL Unit so that the Main S-meter deflects to full scale.
- ❑ Adjust VR5002 on the CNTL Unit so that the Sub S-meter deflects to full scale.
- ❑ The following alignments are performed on the Contest and MP versions only.
  - Adjust VR7401 on the VR-G Unit so that the VDD/BIAS meter deflects to full scale.
  - Adjust VR7402 on the VR-G Unit so that the TEMP/SWR meter deflects to full scale.
- ❑ Press and hold in the [MNU] key for 2 seconds to exit from the alignment mode.

## TFT Display Flicker Adjustment

- ❑ Connect the DC voltmeter to pin 3 of Q4704 on the LCD-CNTL Unit.
- ❑ Adjust VR4702 on the LCD-CNTL Unit for 1.9 V ( $\pm 0.02$  V) on the DC voltmeter.

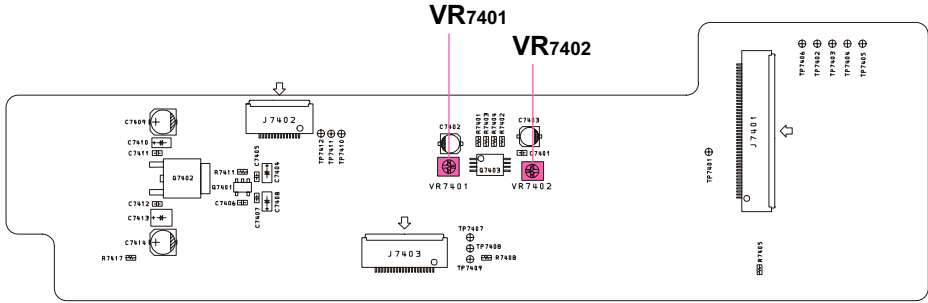
## Dimmer Adjustment

- ❑ Press the [MNU] key momentarily to enter the Menu (“Set”) mode.
- ❑ Rotate the Main Dial knob to select Menu item “DISPLAY 014 DIMMER-METER.”
- ❑ Rotate the CLAR/VFO-B knob to set this Menu item to “15.”
- ❑ Connect the DC voltmeter to pin 3 of J4703 on the LCD-CNTL Unit.
- ❑ If the DC voltmeter reading is above 4.8 V, adjust VR4701 for 4.8 V ( $\pm 0.1$  V) on the DC voltmeter.
- ❑ Press the [MNU] key momentarily to exit from the Menu (“Set”) mode.

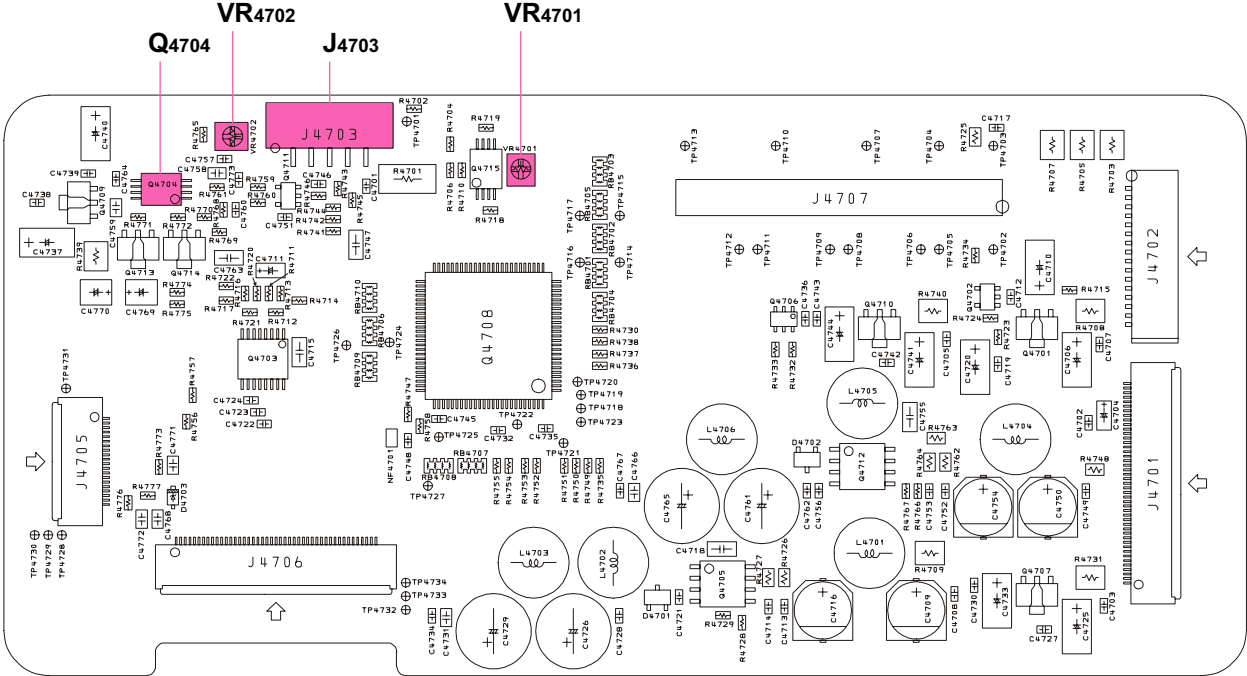


**CNTL UNIT ALIGNMENT POINTS**





**VR-G UNIT ALIGNMENT POINTS**



**LCD-CNTL UNIT ALIGNMENT POINTS**

# Alignment

## *SHIFT/WIDTH Knob Zero (Center) Adjustment*

- ❑ Set the (Main & Sub) SHIFT/WIDTH knobs to the 12-o'clock position.
- ❑ Set the (Main & Sub) operating mode to "USB."
- ❑ Press and hold in the [ANT1], [ANT3], and [RX ANT] keys, while turning the radio on, to enter the alignment mode.
- ❑ Rotate the Main Dial knob to select the alignment parameter "02A."
- ❑ Rotate the CLAR/VFO-B knob so that the IF SHIFT frequency of the MAIN Band (VFO-A) is set to  $\pm 0.00$  on the TFT (D version) or LCD (MP/Contest versions) display. The center point ( $\pm 0.00$ ) is broad (7 points: D/MP versions, 18 points: Contest version). Therefore, set the CLAR/VFO-B knob to the center of this broad range.
- ❑ In the D and MP versions, rotate the Main Dial knob to select the alignment parameter "02b," then rotate the CLAR/VFO-B knob so that the IF SHIFT frequency of the Sub Band (VFO-B) is  $\pm 0.00$  on the TFT display. The center point ( $\pm 0.00$ ) is broad (7 points). Therefore, set the CLAR/VFO-B knob to the center of this broad range.
- ❑ Rotate the Main Dial knob to select the alignment parameter "02c."
- ❑ Rotate the CLAR/VFO-B knob so that the IF Bandwidth of the MAIN Band (VFO-A) is 2.40 kHz on the TFT (D version) or the LCD display.
- ❑ In the D and MP versions, rotate the Main Dial knob to select the alignment parameter "02d."
- ❑ Rotate the CLAR/VFO-B knob so that the IF Bandwidth of the SUB Band (VFO-B) is 2.40 kHz on the TFT display.
- ❑ Press and hold in the [MNU] key for 2 seconds to exit from the alignment mode.

## *VDD Meter Adjustment*

- ❑ On the D/Contest versions, connect the DC voltmeter to J7506 on the PA-B Unit. On the MP version, connect the DC voltmeter to J4007 or J4008 on the PA-A Unit.
- ❑ Press and hold in the [ANT1], [ANT3], and [RX ANT] keys, while turning the radio on, to enter the alignment mode.
- ❑ Rotate the Main Dial knob to select the alignment parameter "03."
- ❑ Rotate the CLAR/VFO-B knob so that VDD meter (Sub S-meter) reading is same as that on the DC voltmeter.
- ❑ On the Contest/MP versions, rotate the NOTCH knob so that VDD/BIAS meter reading is same as that on the DC voltmeter, then press the [ENT] key to save the new setting.
- ❑ Press and hold in the [MNU] key for 2 seconds to exit from the alignment mode.

## *OXCO Adjustment*

**Important Note:** (1) Do not adjust the OXCO Unit unless you have a high-performance frequency counter. (2) Perform the adjustment after aging the transceiver and frequency counter sufficiently (at least 30 minutes).

- ❑ Connect the frequency counter to J3502 on the REF Unit.
- ❑ Adjust VR3501 on the REF Unit for 10.000000 MHz ( $\pm 0.1$  Hz) on the Frequency counter.
- ❑ Verify the alignment by receiving a standard time station like WWV or JJY (5.000/10.000/15.000 MHz, etc.); listen 500 Hz low on USB, and 500 Hz high on LSB, to be sure the tones associated with the carrier are precisely the same.

## 2nd Local Oscillator Adjustment

- ❑ Disconnect the coaxial cable (D/MP version) or dummy plug (Contest version) from J3007 on the LOCAL Unit, then connect the RF millivoltmeter to J3007.
- ❑ Confirm that the RF millivoltmeter reading is more than  $-3$  dBm.
- ❑ Adjust T3006 and T3008 on the LOCAL Unit for maximum deflection on the RF millivoltmeter.
- ❑ Re-connect the coaxial cable or dummy plug to J3007.
- ❑ Disconnect the coaxial cable from J3005 on the LOCAL Unit, then connect the RF millivoltmeter to J3005.
- ❑ Confirm that the RF millivoltmeter reading is more than  $-3$  dBm.
- ❑ Re-connect the coaxial cable to J3005.

## VCV Voltage Adjustment

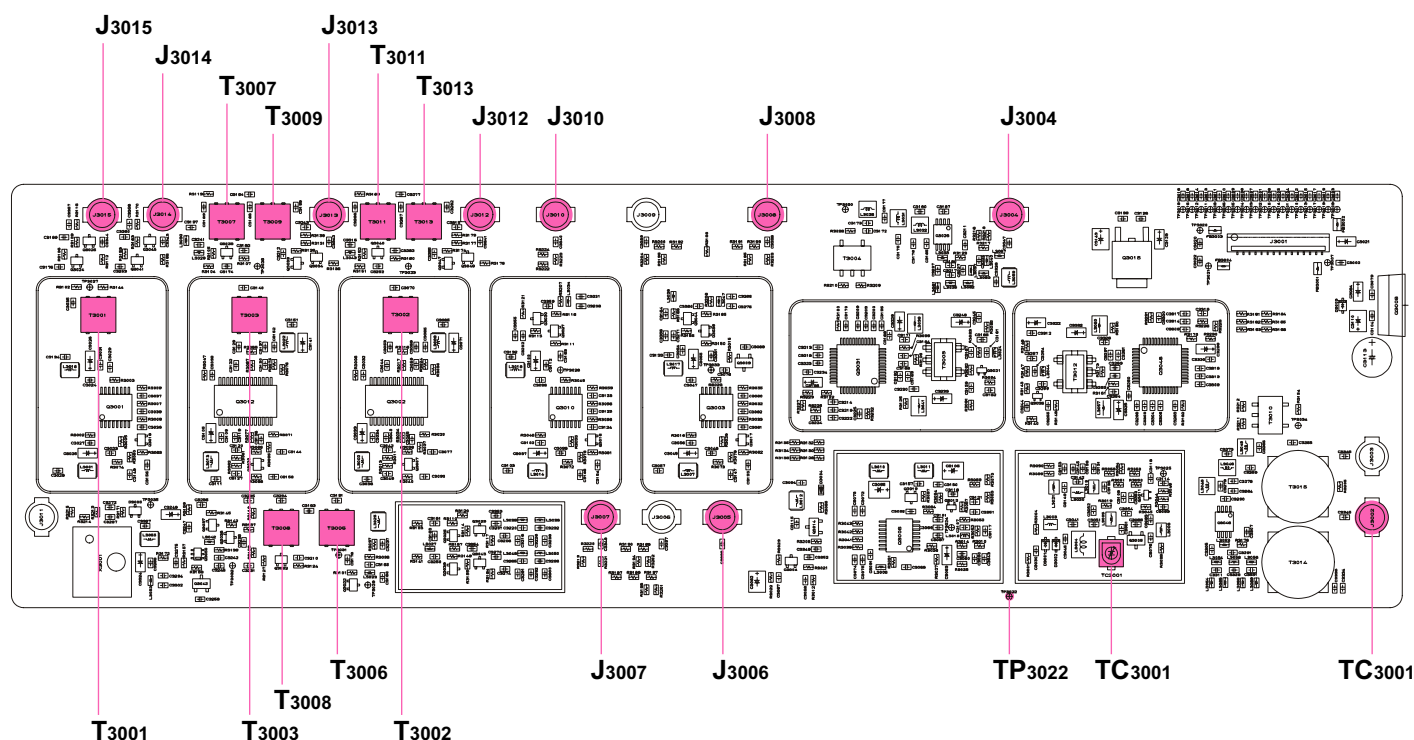
- ❑ Connect the DC voltmeter (Hi-Impedance) to TP3022 on the LOCAL Unit.
- ❑ Adjust TC3001 on the LOCAL Unit for  $2.0\text{ V} (\pm 0.1\text{ V})$  on the DC voltmeter.

## Scope 2nd Local Oscillator (MAIN) Adjustment

- ❑ Press and hold in the [ANT1], [ANT3], and [RX ANT] keys, while turning the radio on, to enter the alignment mode.
- ❑ Rotate the Main Dial knob to select the alignment parameter "A43."
- ❑ Disconnect the coaxial cable from J3012 on the LOCAL Unit, then connect the RF millivoltmeter to J3012.
- ❑ Adjust T3002, T3011, and T3013 on the LOCAL Unit for maximum deflection on the RF millivoltmeter (more than  $-13$  dBm).
- ❑ Re-connect the coaxial cable to J3012.

## Scope 2nd Local Oscillator (SUB) Adjustment

- ❑ Rotate the Main Dial knob to select the alignment parameter "B43 (D/MP versions)" or "A43 (Contest version)."
- ❑ Disconnect the coaxial cable from J3013 on the LOCAL Unit, then connect the RF millivoltmeter to J3013.
- ❑ Adjust T3003, T3007, and T3009 on the LOCAL Unit for maximum deflection on the RF millivoltmeter (more than  $-13$  dBm).
- ❑ Re-connect the coaxial cable to J3013.



**LOCAL UNIT ALIGNMENT POINTS**

# Alignment

## *Scope 3rd Local Oscillator (SUB) Adjustment*

- ❑ Rotate the Main Dial knob to select the alignment parameter “A43.”
- ❑ Disconnect the coaxial cable from J3015 on the LOCAL Unit, then connect the RF millivoltmeter to J3015.
- ❑ Adjust T3001 on the LOCAL Unit for maximum deflection on the RF millivoltmeter (more than –13 dBm).
- ❑ Re-connect the coaxial cable to J3015.

## *Scope 3rd Local Oscillator (MAIN) Confirmation*

- ❑ Disconnect the coaxial cable (D/MP version) or dummy plug (Contest version) from J3014 on the LOCAL Unit, then connect the RF millivoltmeter to J3014.
- ❑ Confirm that the RF millivoltmeter reading is more than –13 dBm.
- ❑ Re-connect the coaxial cable or dummy plug to J3007.
- ❑ Press and hold in the [MNU] key for 2 seconds to exit from the alignment mode.

## *1st Local Oscillator (MAIN) Confirmation*

- ❑ Set the MAIN band (VFO-A) frequency to 52.500 MHz.
- ❑ Disconnect the coaxial cable from J3002 on the LOCAL Unit, then connect the RF millivoltmeter to J3002.
- ❑ Confirm that the RF millivoltmeter reading is more than +3 dBm.
- ❑ Re-connect the coaxial cable to J3002.

## *1st Local Oscillator (SUB) Confirmation*

- ❑ Set the SUB band (VFO-B) frequency to 52.500 MHz.
- ❑ Press and hold in the [ANT1], [ANT3], and [RX ANT] keys, while turning the radio on, to enter the alignment mode.
- ❑ Rotate the Main Dial knob to select the alignment parameter “A43.”
- ❑ Disconnect the coaxial cable (D/MP version) or dummy plug (Contest version) from J3004 on the LOCAL Unit, then connect the RF millivoltmeter to J3004.
- ❑ Confirm that the RF millivoltmeter reading is more than +3 dBm.
- ❑ Re-connect the coaxial cable or dummy plug to J3004.
- ❑ Press and hold in the [MNU] key for 2 seconds to exit from the alignment mode.

## *3rd Local Oscillator (MAIN) Confirmation*

- ❑ Disconnect the coaxial cable from J3008 on the LOCAL Unit, then connect the RF millivoltmeter to J3008.
- ❑ Confirm that the RF millivoltmeter reading is more than –20 dBm.
- ❑ Re-connect the coaxial cable to J3008.

## *3rd Local Oscillator (SUB) Confirmation*

- ❑ Press and hold in the [ANT1], [ANT3], and [RX ANT] keys, while turning the radio on, to enter the alignment mode.
- ❑ Rotate the Main Dial knob to select the alignment parameter “A43.”
- ❑ Disconnect the coaxial cable (D/MP version) or dummy plug (Contest version) from J3010 on the LOCAL Unit, then connect the RF millivoltmeter to J3010.
- ❑ Confirm that the RF millivoltmeter reading is more than –20 dBm.
- ❑ Re-connect the coaxial cable or dummy plug to J3010.
- ❑ Press and hold in the [MNU] key for 2 seconds to exit from the alignment mode.

## RX-1 Unit Adjustment-1

### 1st Local Level Adjustment

- ❑ Connect the RF millivoltmeter to TP1001 on the RX-1 Unit.
- ❑ Set the MAIN band (VFO-A) frequency to 14.200 MHz.
- ❑ Adjust VR1006 on the RX-1 Unit for 1.8 Vrms ( $\pm 0.1$  Vrms) on the RF millivoltmeter.
- ❑ Set the MAIN band (VFO-A) frequency to 51.200 MHz.
- ❑ Adjust VR1007 on the RX-1 Unit for 0.6 Vrms ( $\pm 0.1$  Vrms) on the RF millivoltmeter.

### 2nd Local Level Adjustment

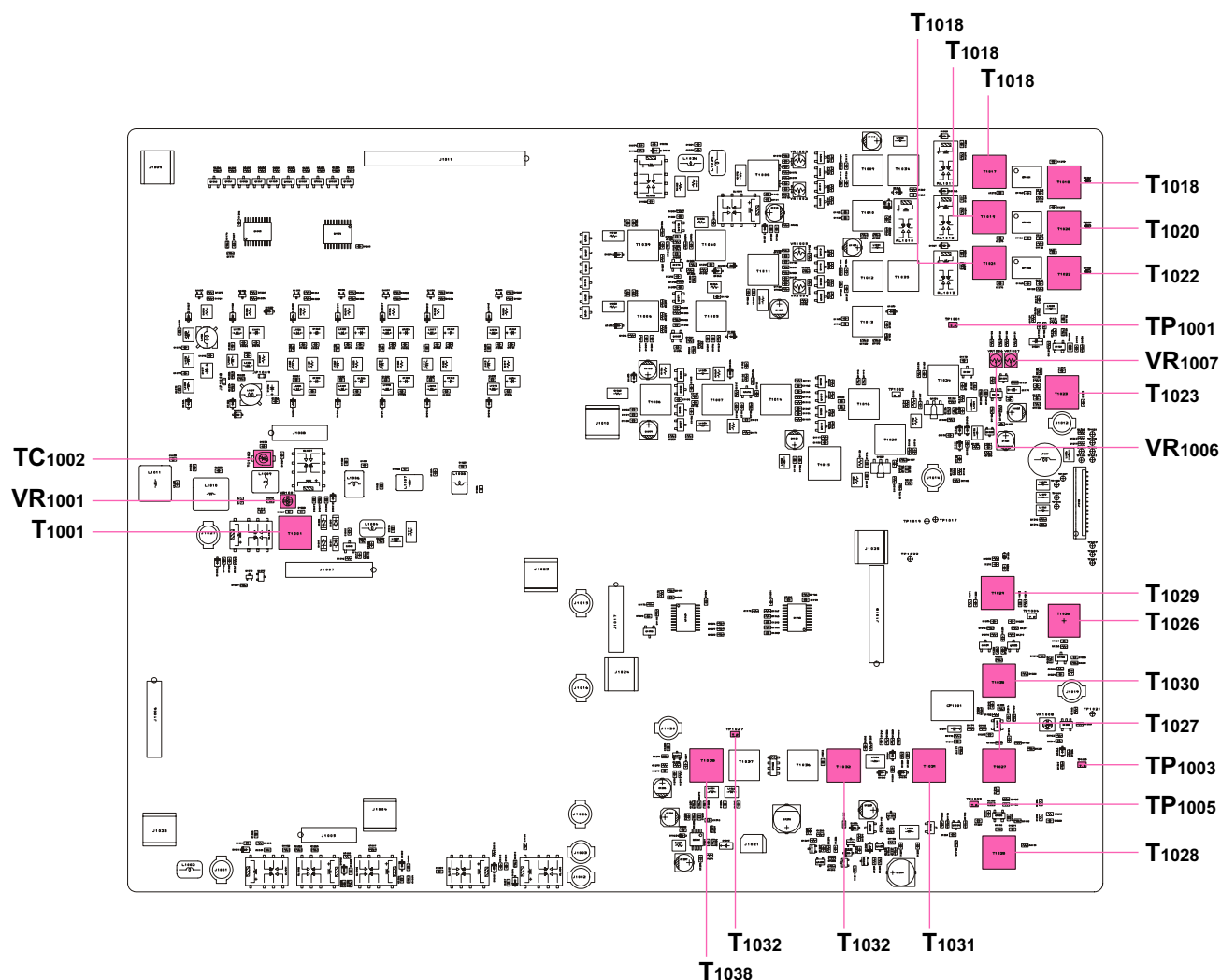
- ❑ Connect the RF millivoltmeter to TP1004 on the RX-1 Unit.
- ❑ Adjust T1026 on the RX-1 Unit for maximum deflection on the RF millivoltmeter.

### 3rd Local Level Adjustment

- ❑ Connect the RF millivoltmeter to TP1027 on the RX-1 Unit.
- ❑ Adjust T1038 on the RX-1 Unit for maximum deflection on the RF millivoltmeter.

### RF Transformer Adjustment

- ❑ Connect the RF Signal Generator to the "ANT 1" Jack, then set the output level to +30 dB $\mu$  at 14.200 MHz.
- ❑ Set the MAIN Band (VFO-A) frequency to 14.200 MHz in the CW mode.
- ❑ Adjust T1023, T1029, T1030, T1031, and T1032 on the RX-1 Unit in succession several times for maximum deflection on the Main S-meter.



**RX-1 UNIT ALIGNMENT POINTS**

# Alignment

## *MCF Adjustment*

- ❑ Connect the RF Signal Generator to the “ANT 1” Jack, then set the output level to +30 dB $\mu$  at 14.200 MHz.
- ❑ Set the MAIN Band (VFO-A) frequency to 14.200 MHz in the CW mode.
- ❑ Set the MAIN Band’s Roofing Filter bandwidth to “15 kHz.”
- ❑ Adjust T1017 and T1018 on the RX-1 Unit for maximum deflection on the Main S-meter.
- ❑ Set the MAIN Band’s Roofing Filter bandwidth to “6 kHz.”
- ❑ Adjust T1019 and T1020 on the RX-1 Unit for maximum deflection on the Main S-meter.
- ❑ Set the MAIN Band’s Roofing Filter bandwidth to “3 kHz.”
- ❑ Adjust T1021 and T1022 on the RX-1 Unit for maximum deflection on the Main S-meter.
- ❑ Set the RF Signal Generator output level to 0 dB $\mu$  at 52.500 MHz (with  $\pm 3.5$  kHz deviation @1 kHz).
- ❑ Set the MAIN Band (VFO-A) frequency to 52.500 MHz in the FM mode.
- ❑ Set the MAIN Band’s Roofing Filter bandwidth to “AUTO.”
- ❑ Adjust T1017 and T1018 on the RX-1 Unit for maximum SINAD.

## *NB Circuit Adjustment*

- ❑ Connect the RF Signal Generator to the “ANT 1” Jack, then set the output level to +30 dB $\mu$  at 14.200 MHz.
- ❑ Set the MAIN Band (VFO-A) frequency to 14.200 MHz in the CW mode.
- ❑ Turn on the MAIN band (VFO-A) NB switch, then set the MAIN band (VFO-A) NB knob to the 12-o’clock position.
- ❑ Connect the RF millivoltmeter to TP1005 on the RX-1 Unit.
- ❑ Adjust T1027 and T1028 on the RX-1 Unit for minimum deflection on the RF millivoltmeter.
- ❑ Turn the MAIN band (VFO-A) NB switch off.

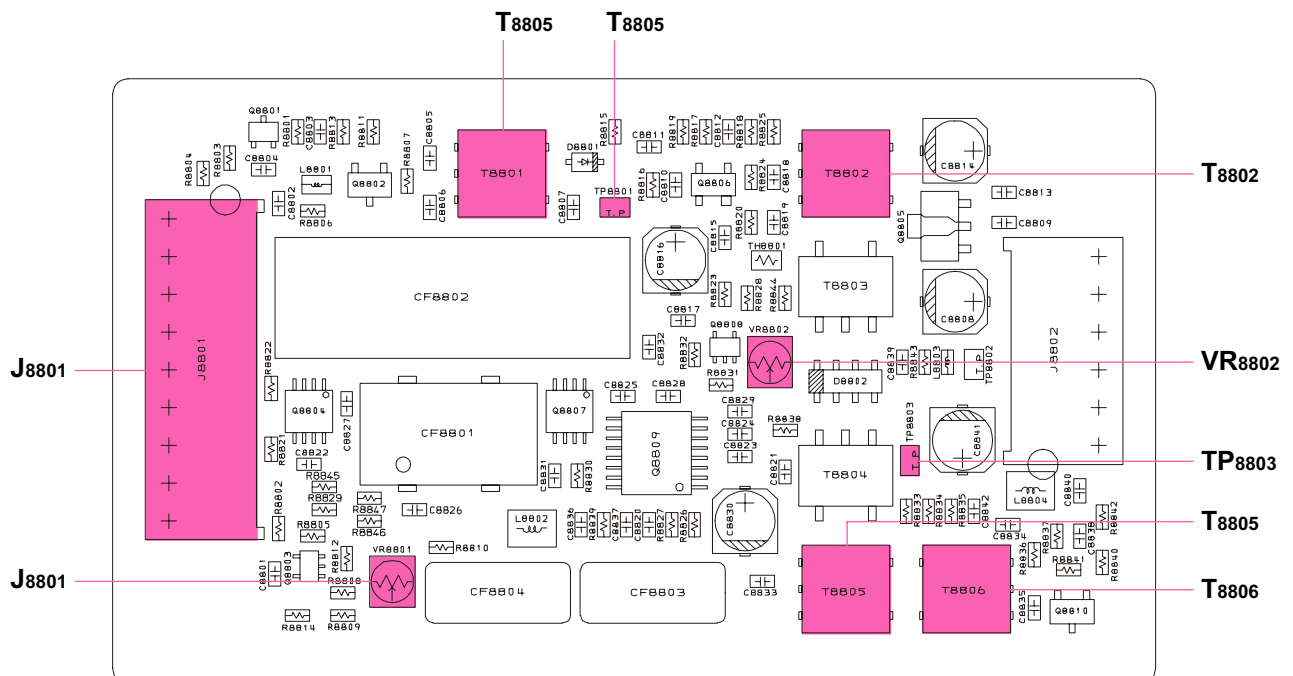
## *IF Trap Adjustment*

- ❑ Connect the RF Signal Generator to the “ANT 1” Jack, then set the output level to +90 dB $\mu$  at 40.455 MHz.
- ❑ Set the MAIN Band (VFO-A) frequency to 28.700 MHz in the CW-U mode.
- ❑ Adjust TC1002 on the RX-1 Unit for minimum deflection on the Main S-meter.
- ❑ Set the MAIN Band (VFO-A) frequency to 51.500 MHz in the CW-U mode.
- ❑ Adjust T1001 and VR1001 on the RX-1 Unit in succession several times for minimum deflection on the Main S-meter.

## SCP-1 Unit Adjustment

- ❑ Set the MAIN Band (VFO-A) frequency to 14.200 MHz in the AM mode.
- ❑ Press and hold in the [ANT1], [ANT3], and [RX ANT] keys, while turning the radio on, to enter the alignment mode.
- ❑ Rotate the Main Dial knob to select the alignment parameter “A43.”
- ❑ Connect the RF millivoltmeter to TP8803 on the SCP-1 Unit.
- ❑ Adjust T8806 on the SCP-1 Unit for maximum deflection on the RF millivoltmeter.
- ❑ Connect the DC voltmeter to pin 2 of J8801 on the SCP-1 Unit.
- ❑ Connect the RF Signal Generator to the “ANT 1” Jack, then set the output level to +40 dB $\mu$  at 14.200 MHz.
- ❑ Adjust T8801, T8802, and T8805 on the SCP-1 Unit for maximum deflection on the RF millivoltmeter.
- ❑ Connect the DC voltmeter to TP8801 on the SCP-1 Unit.
- ❑ Adjust VR8802 on the SCP-1 Unit for 3.5 Vrms ( $\pm 0.05$  Vrms) on the DC voltmeter.

- ❑ Increase the RF Signal Generator output level to +100 dB $\mu$ .
- ❑ Rotate the CLAR/VFO-B knob so that the VFO-B frequency display is displayed as “255.”
- ❑ Connect the DC voltmeter to pin 2 of J8801 on the SCP-1 Unit.
- ❑ Adjust VR8801 on the SCP-1 Unit for 3.2 Vrms ( $\pm 0.05$  Vrms) on the DC voltmeter.
- ❑ Reduce the RF Signal Generator output level to +70 dB $\mu$ , then note the DC voltmeter reading.
- ❑ Rotate the Main Dial knob to select the alignment parameter “A44,” then increase the RF Signal Generator output level to +80 dB $\mu$ . Rotate the CLAR/VFO-B knob so that the DC voltmeter reading is same as that noted in the previous step.
- ❑ Rotate the Main Dial knob to select the alignment parameter “A45,” then increase the RF Signal Generator output level to +90 dB $\mu$ . Rotate the CLAR/VFO-B knob so that the DC voltmeter reading is same as that noted two steps prior to this one.
- ❑ Press and hold in the [MNU] key for 2 seconds to exit from the alignment mode.



**SCP-1 UNIT ALIGNMENT POINTS**

# Alignment

## RX-1 Unit Adjustment-2

### RF AGC Adjustment

- ❑ Referring to table at the right, tune the MAIN Band (VFO-A) frequency to each frequency listed.
- ❑ Connect the DC voltmeter to TP1003 on the RX-1 Unit.
- ❑ Connect the RF Signal Generator to the “ANT 1” Jack, then set the output level to +96 dB $\mu$  at 1.900 MHz.
- ❑ Set the MAIN Band (VFO-A) frequency to 1.900 MHz in the CW-U mode.
- ❑ Press and hold in the [ANT1], [ANT3], and [RX ANT] keys, while turning the radio on, to enter the alignment mode.
- ❑ Select the appropriate “Alignment Parameter” using the Main Dial knob per the chart below, and adjust the CLAR/VFO-B knob for the corresponding DC voltmeter reading at each frequency.

1.8 MHz Band	1.900 MHz
3.5 MHz Band	3.750 MHz
7 MHz Band	7.150 MHz
10 MHz Band	10.125 MHz
14 MHz Band	14.175 MHz
18 MHz Band	18.117 MHz
21 MHz Band	21.225 MHz
24.5 MHz Band	24.940 MHz
28 MHz Band	28.850 MHz
50 MHz Band	52.000 MHz

ALIGNMENT PARAMETER	RF SIGNAL GENERATOR	DC VOLTMETER
A01	1.900 MHz, +96 dB $\mu$	1.8 V ( $\pm$ 0.1 V)
A02	3.750 MHz, +96 dB $\mu$	1.8 V ( $\pm$ 0.1 V)
A03	7.150 MHz, +96 dB $\mu$	1.8 V ( $\pm$ 0.1 V)
A04	10.125 MHz, +96 dB $\mu$	1.8 V ( $\pm$ 0.1 V)
A05	14.175 MHz, +96 dB $\mu$	1.8 V ( $\pm$ 0.1 V)
A06	18.117 MHz, +96 dB $\mu$	1.8 V ( $\pm$ 0.1 V)
A07	21.225 MHz, +96 dB $\mu$	1.8 V ( $\pm$ 0.1 V)
A08	24.940 MHz, +96 dB $\mu$	1.8 V ( $\pm$ 0.1 V)
A09	28.850 MHz, +96 dB $\mu$	1.8 V ( $\pm$ 0.1 V)
A10	52.000 MHz, +96 dB $\mu$	1.8 V ( $\pm$ 0.1 V)

- ❑ Press and hold in the [MNU] key for 2 seconds to exit from the alignment mode.

### IF GAIN Adjustment

- ❑ Referring to table at the right, tune the MAIN Band (VFO-A) to each frequency listed.
- ❑ Connect the AF millivoltmeter and 4 Ohm dummy load to the EXT SPKR 1 Jack, and set the MAIN Band (VFO-A) RF GAIN knob to the fully clockwise position.
- ❑ Connect the RF Signal Generator to the “ANT 1” Jack, then set the output level to +36 dB $\mu$  at 1.900 MHz.
- ❑ Set the MAIN Band (VFO-A) frequency to 1.900 MHz in the CW-U mode.
- ❑ Rotate the MAIN Band (VFO-A) AF GAIN knob to preset a reading of “0 dB” on the AF millivoltmeter.
- ❑ Press and hold in the [ANT1], [ANT3], and [RX ANT] keys, while turning the radio on, to enter the alignment mode.
- ❑ Select the appropriate “Alignment Menu” using the Main Dial knob per the chart below, and adjust the CLAR/VFO-B knob for the corresponding AF millivoltmeter reading at each frequency.

1.8 MHz Band	1.900 MHz
3.5 MHz Band	3.750 MHz
7 MHz Band	7.150 MHz
10 MHz Band	10.125 MHz
14 MHz Band	14.175 MHz
18 MHz Band	18.117 MHz
21 MHz Band	21.225 MHz
24.5 MHz Band	24.940 MHz
28 MHz Band	28.850 MHz
50 MHz Band	52.000 MHz

ALIGNMENT PARAMETER	RF SIGNAL GENERATOR	AF MILLIVOLTMETER
A21	1.900 MHz, +9 dB $\mu$	-1.5 dB ( $\pm$ 0.5 dB)
A22	3.750 MHz, +9 dB $\mu$	-1.5 dB ( $\pm$ 0.5 dB)
A23	7.150 MHz, +9 dB $\mu$	-1.5 dB ( $\pm$ 0.5 dB)
A24	10.125 MHz, +9 dB $\mu$	-1.5 dB ( $\pm$ 0.5 dB)
A25	14.175 MHz, +9 dB $\mu$	-1.5 dB ( $\pm$ 0.5 dB)
A26	18.117 MHz, +9 dB $\mu$	-1.5 dB ( $\pm$ 0.5 dB)
A27	21.225 MHz, +9 dB $\mu$	-1.5 dB ( $\pm$ 0.5 dB)
A28	24.940 MHz, +9 dB $\mu$	-1.5 dB ( $\pm$ 0.5 dB)
A29	28.850 MHz, +9 dB $\mu$	-1.5 dB ( $\pm$ 0.5 dB)
A30	52.000 MHz, +6 dB $\mu$	-1.5 dB ( $\pm$ 0.5 dB)

- ❑ Press and hold in the [MNU] key for 2 seconds to exit from the alignment mode.

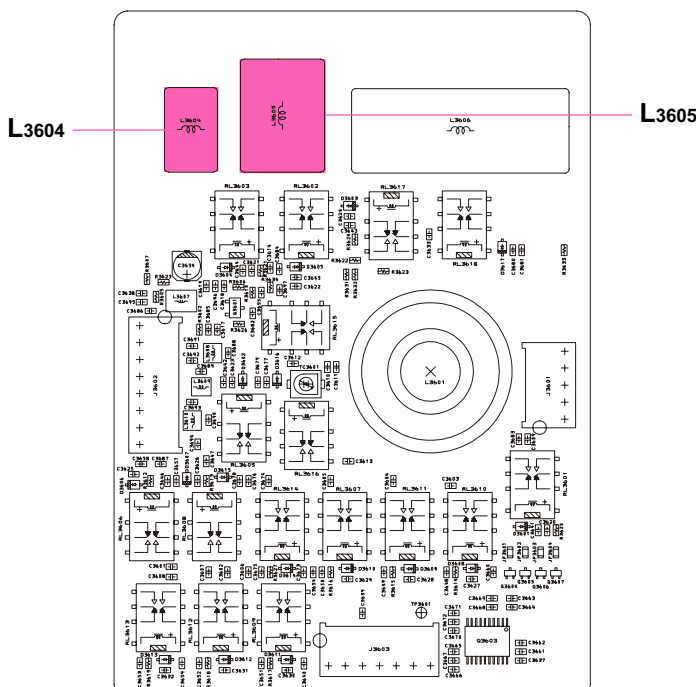


## MAIN S-meter Adjustment

- ❑ Connect the RF Signal Generator to the “ANT 1” Jack, then set the output level to +12 dB $\mu$  at 14.200 MHz.
  - ❑ Set the MAIN Band (VFO-A) frequency to 14.200 MHz in the CW-U mode, and set the MAIN Band (VFO-A) RF GAIN knob to the fully clockwise position.
  - ❑ Press and hold in the [ANT1], [ANT3], and [RX ANT] keys, while turning the radio on, to enter the alignment mode.
  - ❑ Select the appropriate “Alignment Parameter” by the Main Dial knob in the chart below, then adjust the CLAR/VFO-B knob for the corresponding the Main S-meter deflection and press the [ENT] key to save the new setting at each frequencies.
- | ALIGNMENT PARAMETER | RF SIGNAL GENERATOR      | MAIN S-METER |
|---------------------|--------------------------|--------------|
| A31                 | 14.200 MHz, +12 dB $\mu$ | S-1          |
| A32                 | 14.200 MHz, +24 dB $\mu$ | S-5          |
| A33                 | 14.200 MHz, +30 dB $\mu$ | S-7          |
| A34                 | 14.200 MHz, +36 dB $\mu$ | S-9          |
| A35                 | 14.200 MHz, +46 dB $\mu$ | S-9 +10 dB   |
| A36                 | 14.200 MHz, +56 dB $\mu$ | S-9 +20 dB   |
| A37                 | 14.200 MHz, +66 dB $\mu$ | S-9 +30 dB   |
| A38                 | 14.200 MHz, +76 dB $\mu$ | S-9 +40 dB   |
| A39                 | 14.200 MHz, +86 dB $\mu$ | S-9 +50 dB   |
| A40                 | 14.200 MHz, +96 dB $\mu$ | S-9 +60 dB   |
- ❑ Press and hold in the [MNU] key for 2 seconds to exit from the alignment mode.

## VRF-1 Unit Adjustment

- ❑ Connect the RF Signal Generator to the “ANT 1” Jack, then set the output level to +0 dB $\mu$  at 53.500 MHz.
- ❑ Set the MAIN Band (VFO-A) frequency to 53.500 MHz in the CW-U mode, and set the MAIN Band (VFO-A) RF GAIN knob to the fully clockwise position.
- ❑ Turn on the MAIN band (VFO-A) VRF/ $\mu$  switch, then rotate the VRF/ $\mu$  knob clockwise one revolution.
- ❑ Adjust L3604 and L3605 for maximum deflection on the Main S-meter.
- ❑ Turn off the MAIN band (VFO-A) VRF/ $\mu$  switch.
- ❑ Set the MAIN Band (VFO-A) frequency to 50.500 MHz in the CW-U mode.
- ❑ Set the RF Signal Generator to 50.500 MHz, then set the output level to the position where the Main S-meter deflects to “S-6.”
- ❑ Turn on the MAIN band (VFO-A) VRF/ $\mu$  switch again, then rotate the MAIN band (VFO-A) VRF/ $\mu$  knob to the position where the S-meter reading peaks.
- ❑ Confirm that the Main S-meter reading is “S-5” or above.



**VRF-1 UNIT ALIGNMENT POINTS**

# Alignment

## RX-2 Unit Adjustment-1 (D/MP version)

### 1st Local Level Adjustment

- ❑ Connect the RF millivoltmeter to TP8001 on the RX-2 Unit.
- ❑ Set the SUB band (VFO-B) frequency to 14.200 MHz.
- ❑ Adjust VR8006 on the RX-2 Unit for 1.6 Vrms ( $\pm 0.1$  Vrms) on the RF millivoltmeter.
- ❑ Set the SUB band (VFO-B) frequency to 51.200 MHz.
- ❑ Adjust VR8007 on the RX-2 Unit for 0.6 Vrms ( $\pm 0.1$  Vrms) on the RF millivoltmeter.

### 2nd Local Level Adjustment

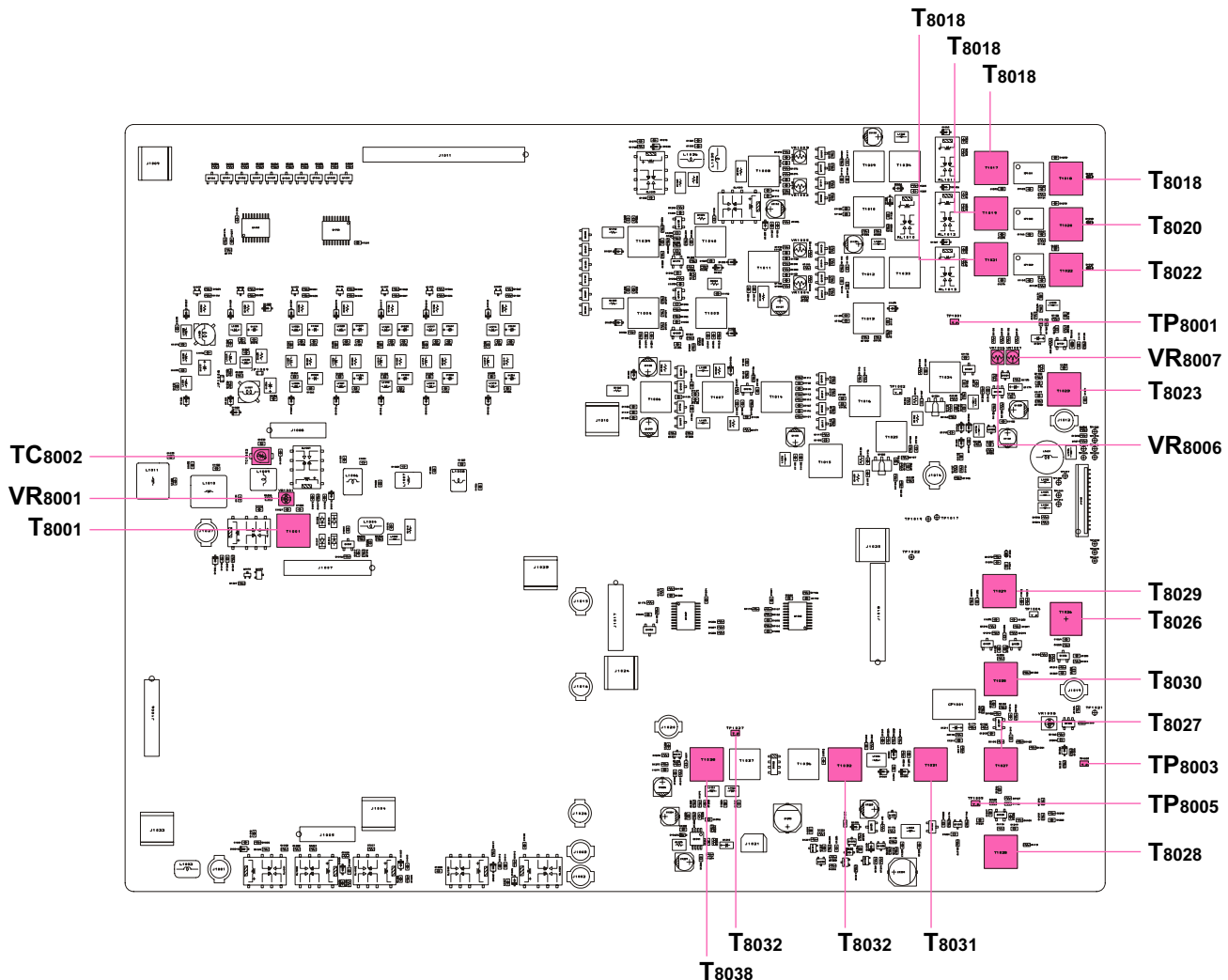
- ❑ Connect the RF millivoltmeter to TP8004 on the RX-2 Unit.
- ❑ Adjust T8026 on the RX-2 Unit for maximum deflection on the RF millivoltmeter.

### 3rd Local Level Adjustment

- ❑ Connect the RF millivoltmeter to TP8027 on the RX-2 Unit.
- ❑ Adjust T8038 on the RX-2 Unit for maximum deflection on the RF millivoltmeter.

### RF Transformer Adjustment

- ❑ Connect the RF Signal Generator to the "ANT 1" Jack, then set the output level to  $+30 \text{ dB}\mu$  at 14.200 MHz.
- ❑ Set the SUB Band (VFO-B) frequency to 14.200 MHz in the CW mode.
- ❑ Adjust T8023, T8029, T8030, T8031, and T8032 on the RX-2 Unit in succession several times for maximum deflection on the Sub S-meter.



**RX-2 UNIT ALIGNMENT POINTS**

# Alignment

## *MCF Adjustment*

- ❑ Connect the RF Signal Generator to the “ANT 1” Jack, then set the output level to +30 dB $\mu$  at 14.200 MHz.
- ❑ Set the SUB Band (VFO-B) frequency to 14.200 MHz in the CW mode.
- ❑ Set the SUB Band’s Roofing Filter bandwidth to “15 kHz.”
- ❑ Adjust T8017 and T8018 on the RX-2 Unit for maximum deflection on the Sub S-meter.
- ❑ Set the SUB Band’s Roofing Filter bandwidth to “6 kHz.”
- ❑ Adjust T8019 and T8020 on the RX-2 Unit for maximum deflection on the Sub S-meter.
- ❑ Set the SUB Band’s Roofing Filter bandwidth to “3 kHz.”
- ❑ Adjust T8021 and T8022 on the RX-2 Unit for maximum deflection on the Sub S-meter.
- ❑ Set the RF Signal Generator output level to 0 dB $\mu$  at 52.500 MHz (with  $\pm 3.5$  kHz deviation @1 kHz).
- ❑ Set the SUB Band (VFO-B) frequency to 52.500 MHz in the FM mode.
- ❑ Set the SUB Band’s Roofing Filter bandwidth to “AUTO.”
- ❑ Adjust T8017 and T8018 on the RX-2 Unit for maximum SINAD.

## *NB Circuit Adjustment*

- ❑ Connect the RF Signal Generator to the “ANT 1” Jack, then set the output level to +30 dB $\mu$  at 14.200 MHz.
- ❑ Set the SUB Band (VFO-B) frequency to 14.200 MHz in the CW mode.
- ❑ Turn on the SUB Band (VFO-B) NB switch, then set the SUB Band (VFO-B) NB knob to 12-o’clock position.
- ❑ Connect the RF millivoltmeter to TP8005 on the RX-2 Unit.
- ❑ Adjust T8027 and T8028 on the RX-2 Unit for minimum deflection on the RF millivoltmeter.
- ❑ Turn off the SUB Band (VFO-B) NB switch.

## *IF Trap Adjustment*

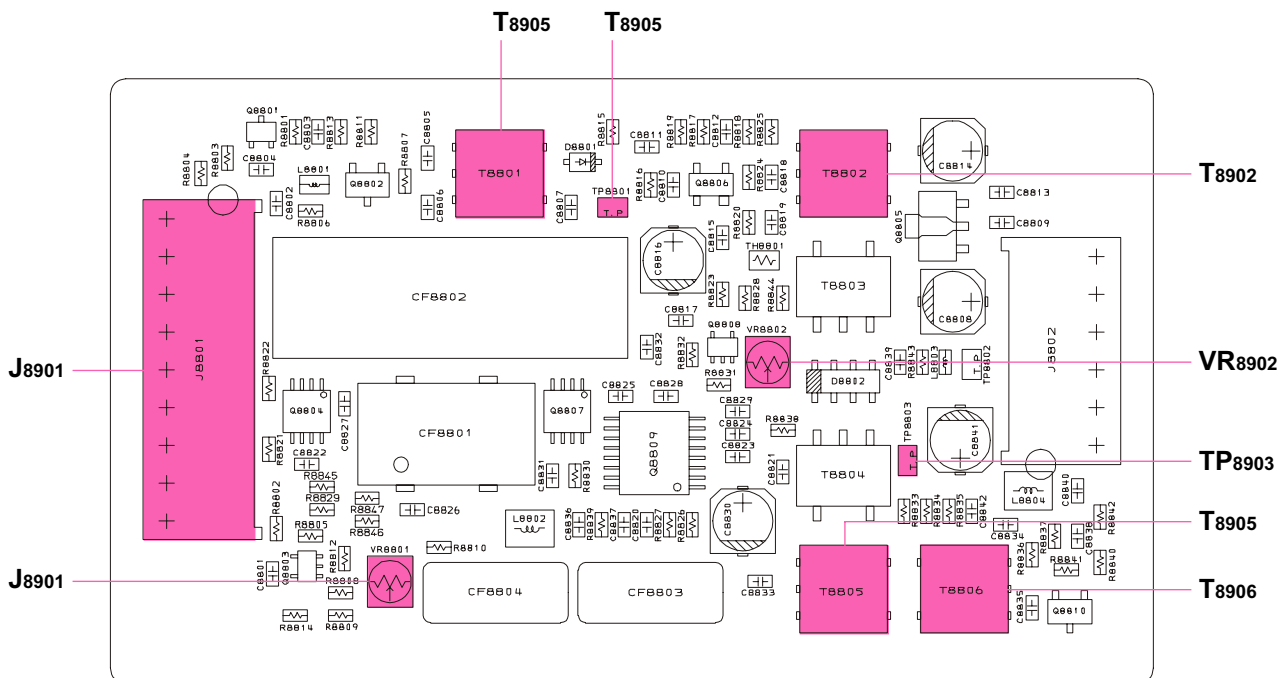
- ❑ Connect the RF Signal Generator to the “ANT 1” Jack, then set the output level to +90 dB $\mu$  at 40.450 MHz.
- ❑ Set the SUB Band (VFO-B) frequency to 28.700 MHz in the CW-U mode.
- ❑ Adjust TC8002 on the RX-2 Unit for minimum deflection on the Sub S-meter.
- ❑ Set the SUB Band (VFO-B) frequency to 51.500 MHz in the CW-U mode.
- ❑ Adjust T8001 and VR8001 on the RX-2 Unit in succession several times for minimum deflection on the Sub S-meter.

# Alignment

## SCP-2 Unit Adjustment (D/MP version)

- ❑ Set the SUB Band (VFO-B) frequency to 14.200 MHz in the AM mode.
- ❑ Press and hold in the [ANT1], [ANT3], and [RX ANT] keys, while turning the radio on, to enter the alignment mode.
- ❑ Rotate the Main Dial knob to select the alignment parameter “B43.”
- ❑ Connect the RF millivoltmeter to TP8903 on the SCP-2 Unit.
- ❑ Adjust T8906 on the SCP-2 Unit for maximum deflection on the RF millivoltmeter.
- ❑ Connect the DC voltmeter to pin 2 of J8901 on the SCP-2 Unit.
- ❑ Connect the RF Signal Generator to the “ANT 1” Jack, then set the output level to +40 dB $\mu$  at 14.200 MHz.
- ❑ Adjust T8901, T8902, and T8905 on the SCP-2 Unit for maximum deflection on the RF millivoltmeter.
- ❑ Connect the DC voltmeter to TP8901 on the SCP-2 Unit.
- ❑ Adjust VR8902 on the SCP-2 Unit for 3.5 Vrms ( $\pm 0.05$  Vrms) on the DC voltmeter.

- ❑ Increase the RF Signal Generator output level to +100 dB $\mu$ .
- ❑ Rotate the CLAR/VFO-B knob so that the VFO-B frequency display is displayed as “255.”
- ❑ Connect the DC voltmeter to pin 2 of J8901 on the SCP-2 Unit.
- ❑ Adjust VR8901 on the SCP-2 Unit for 3.2 Vrms ( $\pm 0.05$  Vrms) on the DC voltmeter.
- ❑ Reduce the RF Signal Generator output level to +70 dB $\mu$ , then note the DC voltmeter reading.
- ❑ Rotate the Main Dial knob to select the alignment parameter “B44,” then increase the RF Signal Generator output level to +80 dB $\mu$ . Rotate the CLAR/VFO-B knob so that the DC voltmeter reading is same as that noted in the above step.
- ❑ Rotate the Main Dial knob to select the alignment parameter “B45,” then increase the RF Signal Generator output level to +90 dB $\mu$ . Rotate the CLAR/VFO-B knob so that the DC voltmeter reading is same as that noted two steps prior to this one.
- ❑ Press and hold in the [MNU] key for 2 seconds to exit from the alignment mode.



**SCP-2 UNIT ALIGNMENT POINTS**

## RX-2 Unit Adjustment-2 (D/MP version)

### RF AGC Adjustment

- ❑ Referring to table at the right, tune the SUB Band (VFO-B) frequency to each frequency listed.
- ❑ Connect the DC voltmeter to TP8003 on the RX-2 Unit.
- ❑ Connect the RF Signal Generator to the “ANT 1” Jack, then set the output level to +96 dB $\mu$  at 1.900 MHz.
- ❑ Set the SUB Band (VFO-B) frequency to 1.900 MHz in the CW-U mode.
- ❑ Press and hold in the [ANT1], [ANT3], and [RX ANT] keys, while turning the radio on, to enter the alignment mode.
- ❑ Select the appropriate “Alignment Parameter” using the Main Dial knob per the chart below, and adjust the CLAR/VFO-B knob for the corresponding DC voltmeter reading at each frequency.

1.8 MHz Band	1.900 MHz
3.5 MHz Band	3.750 MHz
7 MHz Band	7.150 MHz
10 MHz Band	10.125 MHz
14 MHz Band	14.175 MHz
18 MHz Band	18.117 MHz
21 MHz Band	21.225 MHz
24.5 MHz Band	24.940 MHz
28 MHz Band	28.850 MHz
50 MHz Band	52.000 MHz

ALIGNMENT PARAMETER	RF SIGNAL GENERATOR	DC VOLTMETER
B01	1.900 MHz, +96 dB $\mu$	1.8 V ( $\pm$ 0.1 V)
B02	3.750 MHz, +96 dB $\mu$	1.8 V ( $\pm$ 0.1 V)
B03	7.150 MHz, +96 dB $\mu$	1.8 V ( $\pm$ 0.1 V)
B04	10.125 MHz, +96 dB $\mu$	1.8 V ( $\pm$ 0.1 V)
B05	14.175 MHz, +96 dB $\mu$	1.8 V ( $\pm$ 0.1 V)
B06	18.117 MHz, +96 dB $\mu$	1.8 V ( $\pm$ 0.1 V)
B07	21.225 MHz, +96 dB $\mu$	1.8 V ( $\pm$ 0.1 V)
B08	24.940 MHz, +96 dB $\mu$	1.8 V ( $\pm$ 0.1 V)
B09	28.850 MHz, +96 dB $\mu$	1.8 V ( $\pm$ 0.1 V)
B10	52.000 MHz, +96 dB $\mu$	1.8 V ( $\pm$ 0.1 V)

- ❑ Press and hold in the [MNU] key for 2 seconds to exit from the alignment mode.

### IF GAIN Adjustment

- ❑ Referring to table at the right, tune the SUB Band (VFO-B) frequency to each frequency listed.
- ❑ Connect the AF millivoltmeter and 4 Ohm dummy load to the EXT SPKR 1 Jack, and set the SUB Band (VFO-B) RF GAIN knob to the fully clockwise position.
- ❑ Connect the RF Signal Generator to the “ANT 1” Jack, then set the output level to +36 dB $\mu$  at 1.900 MHz.
- ❑ Set the SUB Band (VFO-B) frequency to 1.900 MHz in the CW-U mode.
- ❑ Rotate the SUB Band (VFO-B) AF GAIN knob for 0 dB on the AF millivoltmeter.
- ❑ Press and hold in the [ANT1], [ANT3], and [RX ANT] keys, while turning the radio on, to enter the alignment mode.
- ❑ Select the appropriate “Alignment Parameter” using the Main Dial knob per the chart below, and adjust the CLAR/VFO-B knob for the corresponding AF millivoltmeter reading at each frequency.

1.8 MHz Band	1.900 MHz
3.5 MHz Band	3.750 MHz
7 MHz Band	7.150 MHz
10 MHz Band	10.125 MHz
14 MHz Band	14.175 MHz
18 MHz Band	18.117 MHz
21 MHz Band	21.225 MHz
24.5 MHz Band	24.940 MHz
28 MHz Band	28.850 MHz
50 MHz Band	52.000 MHz

ALIGNMENT PARAMETER	RF SIGNAL GENERATOR	AF MILLIVOLTMETER
B21	1.900 MHz, +9 dB $\mu$	-1.5 dB ( $\pm$ 0.5 dB)
B22	3.750 MHz, +9 dB $\mu$	-1.5 dB ( $\pm$ 0.5 dB)
B23	7.150 MHz, +9 dB $\mu$	-1.5 dB ( $\pm$ 0.5 dB)
B24	10.125 MHz, +9 dB $\mu$	-1.5 dB ( $\pm$ 0.5 dB)
B25	14.175 MHz, +9 dB $\mu$	-1.5 dB ( $\pm$ 0.5 dB)
B26	18.117 MHz, +9 dB $\mu$	-1.5 dB ( $\pm$ 0.5 dB)
B27	21.225 MHz, +9 dB $\mu$	-1.5 dB ( $\pm$ 0.5 dB)
B28	24.940 MHz, +9 dB $\mu$	-1.5 dB ( $\pm$ 0.5 dB)
B29	28.850 MHz, +9 dB $\mu$	-1.5 dB ( $\pm$ 0.5 dB)
B30	52.000 MHz, +6 dB $\mu$	-1.5 dB ( $\pm$ 0.5 dB)

- ❑ Press and hold in the [MNU] key for 2 seconds to exit from the alignment mode.

# Alignment

## SUB S-meter Adjustment

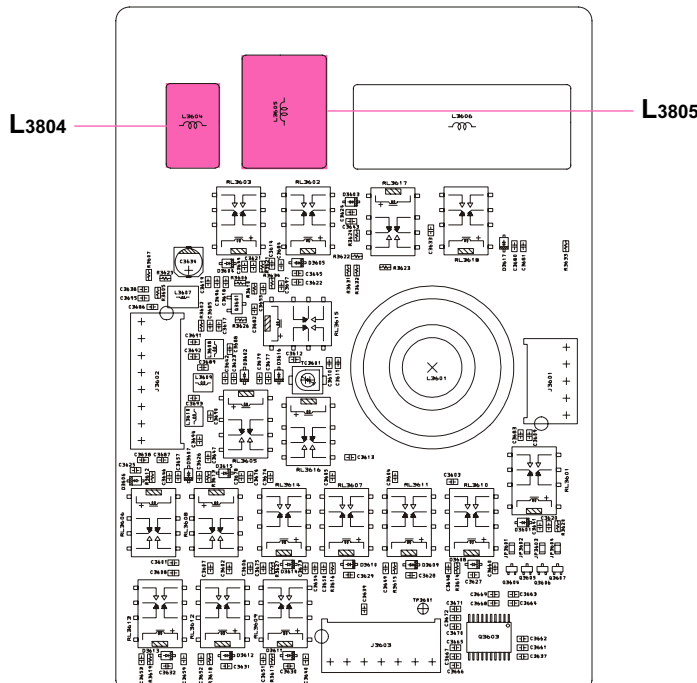
- ❑ Connect the RF Signal Generator to the “ANT 1” Jack, then set the output level to +12 dB $\mu$  at 14.200 MHz.
- ❑ Set the SUB Band (VFO-B) frequency to 14.200 MHz in the CW-U mode, and set the SUB Band (VFO-B) RF GAIN knob to the fully clockwise position.
- ❑ Press and hold in the [ANT1], [ANT3], and [RX ANT] keys, while turning the radio on, to enter the alignment mode.
- ❑ Select the appropriate “Alignment Parameter” using the Main Dial knob per the chart below, then adjust the CLAR/VFO-B knob for the corresponding the Sub S-meter deflection and press the [ENT] key to save the new setting at each frequency.

ALIGNMENT PARAMETER	RF SIGNAL GENERATOR	MAIN S-METER
B31	14.200 MHz, +12 dB $\mu$	S-1
B32	14.200 MHz, +24 dB $\mu$	S-5
B33	14.200 MHz, +30 dB $\mu$	S-7
B34	14.200 MHz, +36 dB $\mu$	S-9
B35	14.200 MHz, +46 dB $\mu$	S-9 +10 dB
B36	14.200 MHz, +56 dB $\mu$	S-9 +20 dB
B37	14.200 MHz, +66 dB $\mu$	S-9 +30 dB
B38	14.200 MHz, +76 dB $\mu$	S-9 +40 dB
B39	14.200 MHz, +86 dB $\mu$	S-9 +50 dB
B40	14.200 MHz, +96 dB $\mu$	S-9 +60 dB

- ❑ Press and hold in the [MNU] key for 2 seconds to exit from the alignment mode.

## VRF-2 Unit Adjustment (D/MP version)

- ❑ Connect the RF Signal Generator to the “ANT 1” Jack, then set the output level to +0 dB $\mu$  at 53.500 MHz.
- ❑ Set the SUB Band (VFO-B) frequency to 53.500 MHz in the CW-U mode, and set the SUB Band (VFO-B) RF GAIN knob to the fully clockwise position.
- ❑ Turn on the SUB Band (VFO-B) VRF/ $\mu$  switch, then rotate the SUB Band (VFO-B) VRF/ $\mu$  knob clockwise one revolution.
- ❑ Adjust L3804 and L3805 for maximum deflection on the Sub S-meter.
- ❑ Turn off the SUB Band (VFO-B) VRF/ $\mu$  switch.
- ❑ Set the SUB Band (VFO-B) frequency to 50.500 MHz in the CW-U mode.
- ❑ Set the RF Signal Generator to 50.500 MHz, then set the output level to the position where the Sub S-meter deflects to “S-6.”
- ❑ Turn on the SUB Band (VFO-B) VRF/ $\mu$  switch again, then rotate the SUB Band (VFO-B) VRF/ $\mu$  knob to the position corresponding to a peak on the Sub S-meter.
- ❑ Confirm that the Sub S-meter reading is “S-5” or above.

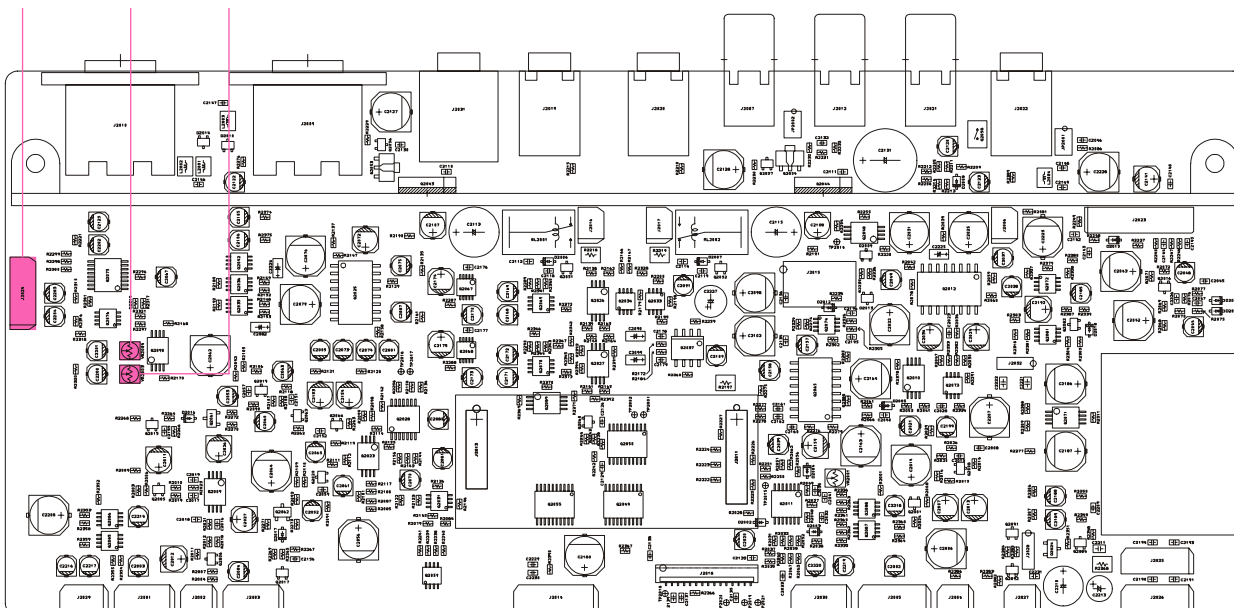


**VRF-2 UNIT ALIGNMENT POINTS**

## AF Unit Adjustment

- ❑ Connect the RF Signal Generator to the “ANT 1” Jack, then set the output level to +60 dB $\mu$  at 14.200 MHz.
- ❑ Connect the oscilloscope to pin 3 of J2024 on the AF Unit.
- ❑ Set the MAIN Band (VFO-A) frequency to 14.200 MHz in the USB mode.
- ❑ In the D version, switch the TFT display to the Audio Scope/Oscilloscope Indication Screen, then press the [F3(SOURCE)] key to set the source to “VFO-A.”
- ❑ In the MP version, switch the External display to the Audio Scope/Oscilloscope Indication Screen, then press the [3/5(SOURCE)] key to set the source to “VFO-A.”
- ❑ Rotate the Main Dial knob so that a 1 kHz tone is produced from the speaker.
- ❑ Adjust VR2003 for 700 mVp-p ( $\pm 50$  mV) on the oscilloscope.
- ❑ In the D version, press the [F3(SOURCE)] key to set the source to “VFO-B.”
- ❑ In the MP version, press the [3/5(SOURCE)] key to set the source to “VFO-B.”
- ❑ Adjust VR2004 for 700 mVp-p ( $\pm 50$  mV) on the Oscilloscope.

J2024 VR2004 VR2003



**AF UNIT ALIGNMENT POINTS**

# Alignment

## DVS Unit Adjustment

- ❑ Connect the FH-2 to the REMOTE jack on the rear panel.
- ❑ Connect the Ohmmeter lead between TP2905 and ground on the DVS Unit.
- ❑ Adjust VR2901 on the DVS Unit for 40 k-Ohms ( $\pm 200$  Ohms) on the Ohmmeter.

## TX Unit Adjustment

### TX-IF-AMP Bias Adjustment

- ❑ Disconnect the coaxial cable from J2514, then terminate J2514 into a 50-Ohm resistor.
- ❑ Connect the DC voltmeter to TP2506 on the TX Unit.
- ❑ Adjust VR2503 on the TX Unit for 3.6 V ( $\pm 0.1$  V) on the DC voltmeter.

### ALC Meter VR Adjustment

- ❑ Press and hold in the [ANT1], [ANT3], and [RX ANT] keys, while turning the radio on, to enter the alignment mode.
- ❑ Rotate the Main Dial knob to select the alignment parameter "C17A."

- ❑ Rotate the CLAR/VFO-B knob so that the VFO-B frequency display shows "0."
- ❑ Connect the DC voltmeter to the center leg of VR2504 (or TP2534) on the TX Unit.
- ❑ Adjust VR2504 for 3.0 V ( $\pm 0.1$  V) on the DC voltmeter.  
*Do not exceed a VR2504 setting of 3.3 V on the DC voltmeter.*
- ❑ Press the [MNU] key *momentarily* to exit from the alignment mode.

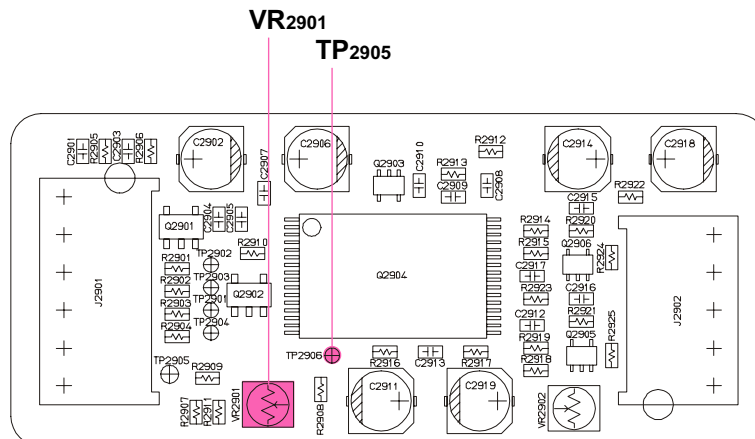
### TX IFT Adjustment (HF)

- ❑ Disconnect the coaxial cable from J2514 on the TX Unit, then connect the RF millivoltmeter to J2514.
- ❑ Set the MAIN Band (VFO-A) frequency to 28.700 MHz in the CW-U mode, then rotate the RF PWR knob to the fully clockwise position.
- ❑ Press the PTT button, then adjust T2501, T2502, T2503, T2504, and T2505 on the TX Unit for maximum deflection on the RF millivoltmeter.
- ❑ Release the PTT button.
- ❑ Disconnect the RF millivoltmeter from J2514 on the TX Unit, then re-connect the coaxial cable to J2514.

Alignment Parameter



VFO-B Frequency Display    Clarifier Frequency Display



**DVS UNIT ALIGNMENT POINTS**



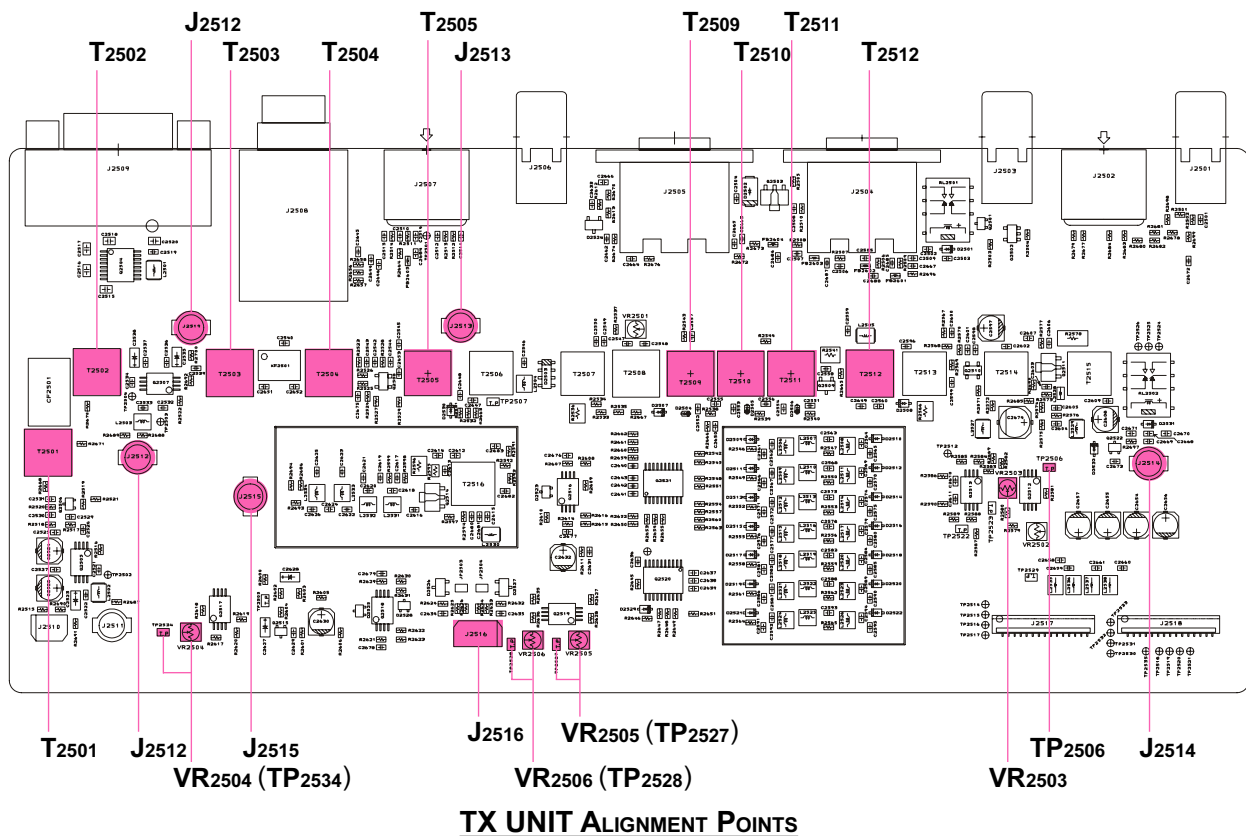
## TX IFT Adjustment (MCF)

- ❑ Disconnect the coaxial cables from J2512 and J2513 on the TX Unit.
- ❑ Connect the Tracking Generator to J2512 and connect the Spectrum Analyzer to J2513.
- ❑ Set up the Spectrum Analyzer as shown below:  
Center Frequency: 40.455 MHz  
Span: 50 kHz
- ❑ Adjust T2503 and T2504 on the TX Unit to obtain maximum amplitude with minimum ripple.
- ❑ Disconnect the Tracking Generator from J2512 and the Spectrum Analyzer from J2513.
- ❑ Connect the coaxial cables back to J2512 and J2513.

## 50 MHz Band Adjustment

- ❑ Disconnect the coaxial cable from J2514 on the TX Unit, then connect the RF millivoltmeter to J2514.
- ❑ Press and hold in the [ANT1], [ANT3], and [RX ANT] keys, while turning the radio on, to enter the alignment mode.
- ❑ Rotate the Main Dial knob to select the alignment parameter "C26A."
- ❑ Rotate the CLAR/VFO-B knob so that the VFO-B frequency display shows "30" or more.

- ❑ Rotate the Main Dial knob to select the alignment parameter "C70."
- ❑ Press the PTT switch, then adjust T2509, T2510, T2511, and T2512 on the TX Unit for maximum deflection on the RF millivoltmeter.
- ❑ Release the PTT switch.
- ❑ Rotate the Main Dial knob to select the alignment parameter "C71."
- ❑ Press the PTT switch, then rotate the CLAR/VFO-B knob for maximum deflection on the RF millivoltmeter.
- ❑ Release the PTT switch.
- ❑ Rotate the Main Dial knob to select the alignment parameter "C72."
- ❑ Press the PTT switch, then rotate the CLAR/VFO-B knob for maximum deflection on the RF millivoltmeter.
- ❑ Release the PTT switch, then press and hold in the [MNU] key for 2 seconds to exit from the alignment mode.
- ❑ Disconnect the RF millivoltmeter from J2514, then re-connect the coaxial cable to J2514.



# Alignment

## PA-B Unit Adjustment (D/Contest version)

### Preparation

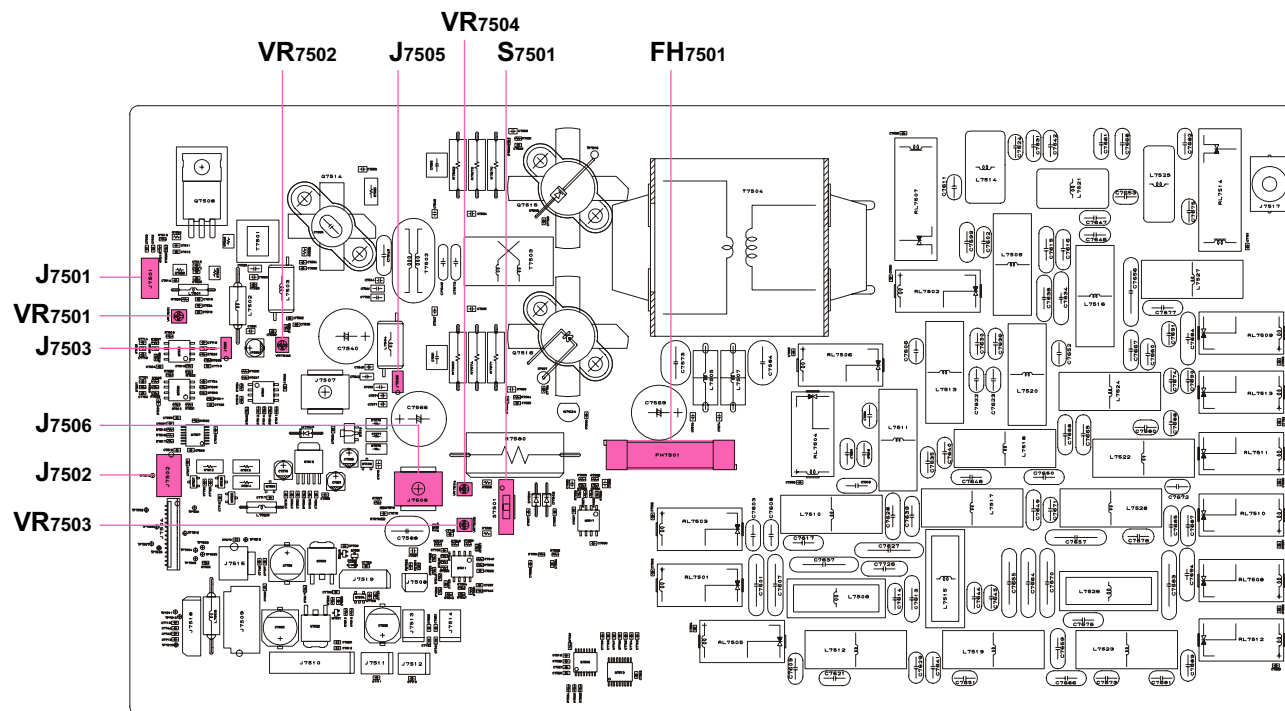
- ❑ Connect the 50-Ohm Dummy Load to the ANT 1 jack.
- ❑ Disconnect the coaxial cable from J7501 on the PA-B Unit, then terminate J7501 into a 50-Ohm resistor.
- ❑ Disconnect the jumper plugs from J7503 and J7505 on the PA-B Unit, and remove the fuse from FH7501 on the PA-B Unit.

### Pre-Drive Stage Idling Current Adjustment

- ❑ Connect the DC ammeter to J7503 on the PA-B Unit.
- ❑ Press the PTT switch, then adjust VR7501 for 50 mA ( $\pm 5$  mA) on the DC ammeter.
- ❑ Release the PTT switch, then disconnect the DC ammeter from J7503 and re-connect the jumper plug to J7503.

### Drive Stage Idling Current Adjustment

- ❑ Connect the DC ammeter to J7505 on the PA-B Unit.
- ❑ Press and hold in the [ANT1], [ANT3], and [RX ANT] keys, while turning the radio on, to enter the alignment mode.
- ❑ Rotate the Main Dial knob to select the alignment parameter "C2."
- ❑ Press the PTT switch, then rotate the CLAR/VFO-B knob so that the VFO-B frequency display shows "255."
- ❑ Press the PTT switch, then adjust VR7502 for 700 mA ( $\pm 50$  mA) on the DC ammeter.
- ❑ Release the PTT switch, then press and hold in the [MNU] key for 2 seconds to exit from the alignment mode.
- ❑ Disconnect the DC ammeter from J7505 and re-connect the jumper plug to J7505.



**PA-B UNIT ALIGNMENT POINTS**

# Alignment

## Final Stage Idling Current Adjustment

- ❑ Connect the DC ammeter across FH7501 on the PA-B Unit.
- ❑ Turn on the CLASS-A switch, then rotate the BIAS knob to the fully clockwise position.
- ❑ Press and hold in the [ANT1], [ANT3], and [RX ANT] keys, while turning the radio on, to enter the alignment mode.
- ❑ Rotate the Main Dial knob to select the alignment parameter “C1,” and switch S7501 on the PA-B Unit to the “VR7504” side.
- ❑ Press the PTT switch, then adjust VR7504 for 3.5 A ( $\pm 0.1$  A) on the DC ammeter.
- ❑ Release the PTT switch, then switch S7501 to the “VR7503” side.
- ❑ Press the PTT switch, then adjust VR7503 for 3.5 A ( $\pm 0.1$  A) on the DC ammeter.
- ❑ Release the PTT switch, then turn off the CLASS-A switch.
- ❑ Rotate the Main Dial knob to select the alignment parameter “C3,” and switch S7501 to the “VR7503” side.
- ❑ Press the PTT switch, then rotate the CLAR/VFO-B knob for 350 mA ( $\pm 20$  mA) on the DC ammeter.
- ❑ Release the PTT switch, then switch S7501 to the “VR7504” side.
- ❑ Rotate the Main Dial knob to select the alignment parameter “C4.”
- ❑ Press the PTT switch, then rotate the CLAR/VFO-B knob for 350 mA ( $\pm 20$  mA) on the DC ammeter.
- ❑ Release the PTT switch, then switch S7501 to its Center position.  
*Do not forget to switch S7501 to the Center position.*
- ❑ Press and hold in the [MNU] key for 2 seconds to exit from the alignment mode.
- ❑ Connect the 50-Ohm Dummy Load to the ANT 1 jack.
- ❑ Disconnect the 50-Ohm resistor from J7501, then re-connect the coaxial cable to J7501, and connect the fuse to FH7501.

# Alignment

## PA-A Unit Adjustment (MP version)

### Preparation

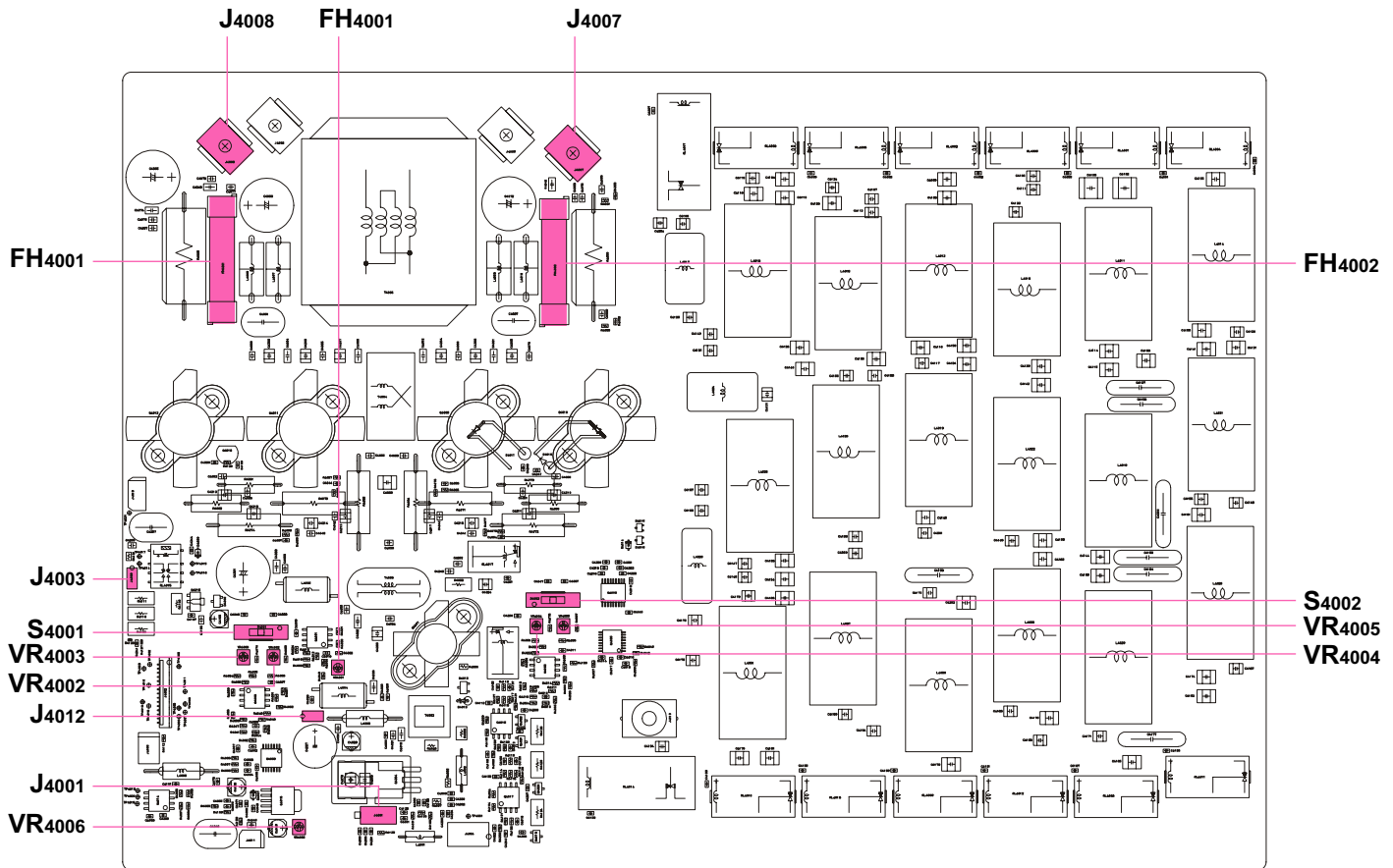
- ❑ Connect the 50-Ohm Dummy Load to the ANT 1 jack.
- ❑ Disconnect the coaxial cable from J4001 on the PA-A Unit, then terminate J4001 into a 50-Ohm resistor.
- ❑ Disconnect the jumper plugs from J4012 and J4003 on the PA-A Unit, and remove the fuses from FH4001 and FH4002 on the PA-A Unit.

### Pre-Drive Stage Idling Current Adjustment

- ❑ Connect the DC ammeter to J4012 on the PA-A Unit.
- ❑ Press the PTT switch, then adjust VR4006 for 50 mA ( $\pm 5$  mA) on the DC ammeter.
- ❑ Release the PTT switch, then disconnect the DC ammeter from J4012 and connect the jumper plug back to J4012.

### Drive Stage Idling Current Adjustment

- ❑ Connect the DC ammeter to J4003 on the PA-A Unit.
- ❑ Press and hold in the [ANT1], [ANT3], and [RX ANT] keys, while turning the radio on, to enter the alignment mode.
- ❑ Rotate the Main Dial knob to select the alignment parameter "C2."
- ❑ Press the PTT switch, then rotate the CLAR/VFO-B knob so that the VFO-B frequency display shows "255."
- ❑ Press the PTT switch, then adjust VR4001 for 700 mA ( $\pm 50$  mA) on the DC ammeter.
- ❑ Release the PTT switch, then disconnect the DC ammeter from J4003 and connect the jumper plug back to J4003.



**PA-A UNIT ALIGNMENT POINTS**

# Alignment

## Final Stage Idling Current Adjustment

- ❑ Connect the DC ammeter across FH4002 on the PA-A Unit.
- ❑ Turn on the CLASS-A switch, then rotate the BIAS knob to the fully clockwise position.
- ❑ Press and hold in the [ANT1], [ANT3], and [RX ANT] keys, while turning the radio on, to enter the alignment mode.
- ❑ Rotate the Main Dial knob to select the alignment parameter "C1," and switch S4001 on the PA-A Unit to the "VR4003" side.
- ❑ Press the PTT switch, then adjust VR4002 for 3.0 A ( $\pm 0.1$  A) on the DC ammeter.
- ❑ Release the PTT switch, then switch S4001 to the "VR4002" side.
- ❑ Press the PTT switch, then adjust VR4003 for 3.0 A ( $\pm 0.1$  A) on the DC ammeter.
- ❑ Release the PTT switch, then turn off the CLASS-A switch.
- ❑ Rotate the Main Dial knob to select the alignment parameter "C3," and switch S4001 to the "VR4003" side.
- ❑ Press the PTT switch, then rotate the CLAR/VFO-B knob for 350 mA ( $\pm 20$  mA) on the DC ammeter.
- ❑ Release the PTT switch, then switch S4001 to the "VR4002" side.
- ❑ Rotate the Main Dial knob to select the alignment parameter "C4."
- ❑ Press the PTT switch, then rotate the CLAR/VFO-B knob for 350 mA ( $\pm 20$  mA) on the DC ammeter.
- ❑ Release the PTT switch, then switch S4001 to its Center position.  
*Do not forget to switch S4001 to the Center position.*
- ❑ Connect the DC ammeter across FH4001 on the PA-A Unit.

- ❑ Turn on the CLASS-A switch, then rotate the BIAS knob to the fully clockwise position.
- ❑ Rotate the Main Dial knob to select the alignment parameter "C1," and switch S4002 on the PA-A Unit to the "VR4004" side.
- ❑ Press the PTT switch, then adjust VR4004 for 3.0 A ( $\pm 0.1$  A) on the DC ammeter.
- ❑ Release the PTT switch, then switch S4002 to the "VR4005" side.
- ❑ Press the PTT switch, then adjust VR4005 for 3.0 A ( $\pm 0.1$  A) on the DC ammeter.
- ❑ Release the PTT switch, then turn off the CLASS-A switch.
- ❑ Rotate the Main Dial knob to select the alignment parameter "C5," and switch S4002 to the "VR4004" side.
- ❑ Press the PTT switch, then rotate the CLAR/VFO-B knob for 350 mA ( $\pm 20$  mA) on the DC ammeter.
- ❑ Release the PTT switch, then switch S4002 to the "VR4005" side.
- ❑ Rotate the Main Dial knob to select the alignment parameter "C6."
- ❑ Press the PTT switch, then rotate the CLAR/VFO-B knob for 350 mA ( $\pm 20$  mA) on the DC ammeter.
- ❑ Release the PTT switch, then switch S4002 to its Center position.  
*Do not forget to switch S4002 to the Center position.*
- ❑ Press and hold in the [MNU] key for 2 seconds to exit from the alignment mode.
- ❑ Disconnect the 50-Ohm resistor from J4001, then re-connect the coaxial cable to J4001.
- ❑ Re-install the fuses into FH4001 and FH4002.

# Alignment

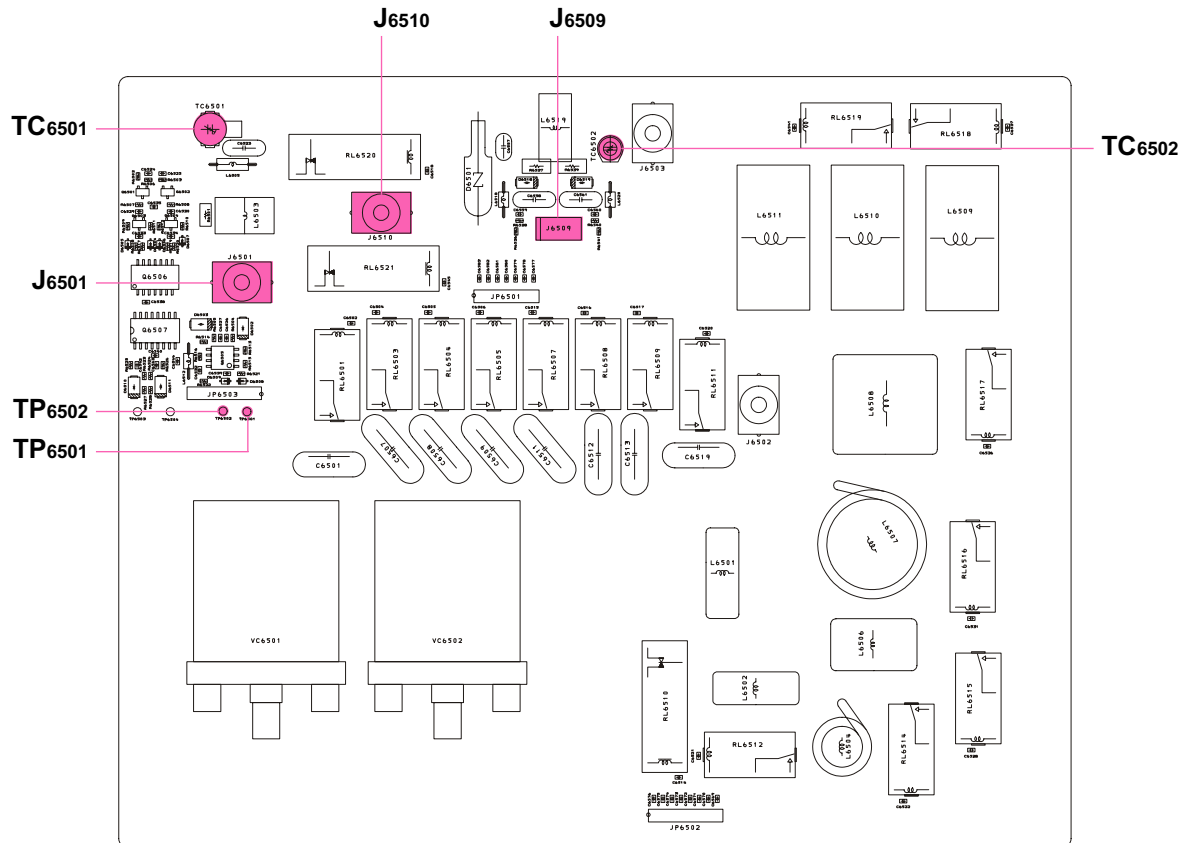
## Antenna Tuner Adjustment

### CM Coupler Balance Adjustment (D/Contest Version)

- ❑ Disconnect the coaxial cable from J6510 on the TUNER-MAIN Unit, then connect the 50-Ohm Dummy Load to J6510.
- ❑ Connect the DC voltmeter (Hi Impedance) to pin 3 of J6509 on the TUNER-MAIN Unit.
- ❑ Turn off the TUNER switch, then set the MAIN Band (VFO-A) frequency to 24.900 MHz in the FM mode.
- ❑ Press the PTT switch, then adjust TC6502 on the TUNER-MAIN Unit for minimum deflection on the DC voltmeter (0.4 V or below).
- ❑ Release the PTT switch, then disconnect the 50-Ohm Dummy Load from J6510 and connect the coaxial cable back to J6510.

### φ, Z-Null Adjustment (D/Contest Version)

- ❑ Connect the 50-Ohm Dummy Load and Wattmeter to the ANT 1 jack.
- ❑ Turn off the TUNER switch, then set the MAIN Band (VFO-A) frequency to 24.900 MHz in the FM mode.
- ❑ Press the PTT switch, then rotate the RF PWR knob for 50 Watts on the Wattmeter.
- ❑ Disconnect the coaxial cable from J6501 on the TUNER-MAIN Unit, then connect the 50-Ohm Dummy Load to J6501.
- ❑ Connect the DC voltmeter (Hi Impedance) between TP6501 and TP6502 on the TUNER-MAIN Unit, then turn on the TUNER switch.
- ❑ Press the PTT switch, then adjust TC6501 on the TUNER-MAIN Unit for 0 V ( $\pm 0.08$  V) on the DC voltmeter.
- ❑ Release the PTT switch, then disconnect the 50-Ohm Dummy Load from J6501, then re-connect the coaxial cable to J6501.



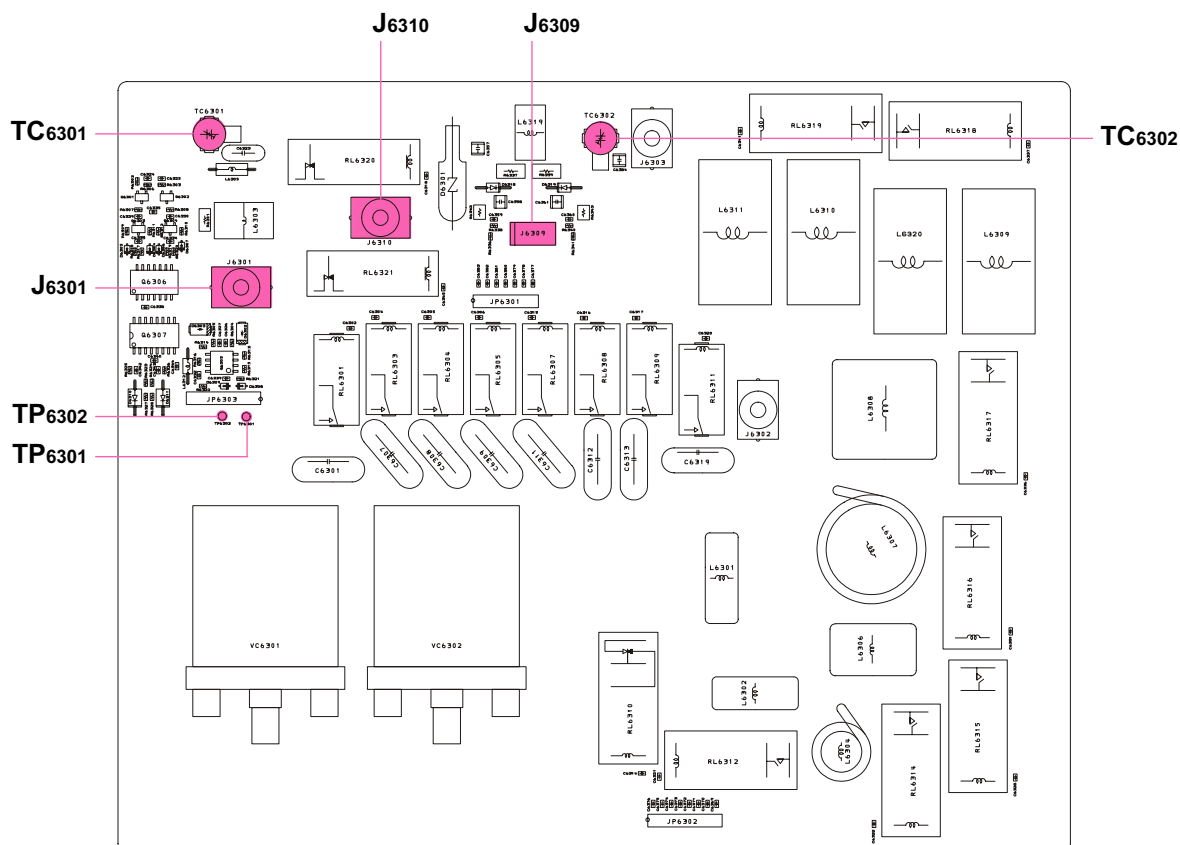
**TUNER MAIN UNIT ALIGNMENT POINTS**

## CM Coupler Balance Adjustment (MP Version)

- ❑ Disconnect the coaxial cable from J6310 on the TUNER-MAIN-A Unit, then connect the 50-Ohm Dummy Load to J6310.
- ❑ Connect the DC voltmeter (Hi Impedance) to pin 3 of J6309 on the TUNER-MAIN-A Unit.
- ❑ Turn off the TUNER switch, then set the MAIN Band (VFO-A) frequency to 24.900 MHz in the FM mode.
- ❑ Press the PTT switch, then adjust TC6302 on the TUNER-MAIN-A Unit for minimum deflection on the DC voltmeter (50 mV or below).
- ❑ Release the PTT switch, then disconnect the 50-Ohm Dummy Load from J6310 and re-connect the coaxial cable to J6310.

## $\phi$ , Z-Null Adjustment (MP Version)

- ❑ Connect the 50-Ohm Dummy Load and Wattmeter to the ANT 1 jack.
- ❑ Turn off the TUNER switch, then set the MAIN Band (VFO-A) frequency to 24.900 MHz in the FM mode.
- ❑ Press the PTT switch, then rotate the RF PWR knob for 100 Watts on the Wattmeter.
- ❑ Disconnect the coaxial cable from J6301 on the TUNER-MAIN-A Unit, then re-connect the 50-Ohm Dummy Load to J6301.
- ❑ Connect the DC voltmeter (Hi Impedance) between TP6301 and TP6302 on the TUNER-MAIN-A Unit, then turn on the TUNER switch.
- ❑ Press the PTT switch, then adjust TC6301 on the TUNER-MAIN-A Unit for 0 V ( $\pm 0.08$  V) on the DC voltmeter.
- ❑ Release the PTT switch, then disconnect the 50-Ohm Dummy Load from J6301, then re-connect the coaxial cable to J6301.



**TUNER MAIN-A UNIT ALIGNMENT POINTS**

# Alignment

## Transmitter Section Alignment Mode

### Preparation

- ❑ Referring to table at the right, tune the MAIN Band (VFO-A) frequency to each frequency listed.
- ❑ Connect the 50-Ohm Dummy Load and Wattmeter to the ANT 1 jack.
- ❑ Press the [MNU] key momentarily to enter the Menu ("Set") mode.
- ❑ Rotate the Main Dial knob to select Menu item "MODE-SSB 069 SSB MIC SELECT."
- ❑ Rotate the CLAR/VFO-B knob to set this Menu item to "REAR."
- ❑ Press and hold in the [MNU] key for two seconds to save the new setting and exit from the Menu ("Set") mode.

1.8 MHz Band	1.850 MHz, USB
3.5 MHz Band	3.570 MHz, USB
7 MHz Band	7.100 MHz, USB
10 MHz Band	10.100 MHz, USB
14 MHz Band	14.200 MHz, USB
18 MHz Band	18.100 MHz, USB
21 MHz Band	21.200 MHz, USB
24.5 MHz Band	24.900 MHz, USB
28 MHz Band	28.700 MHz, USB
50 MHz Band	52.000 MHz, USB

### PWR Control Adjustment

- ❑ Press and hold in the [ANT1], [ANT3], and [RX ANT] keys, while turning the radio on, to enter the alignment mode.
- ❑ Rotate the Main Dial knob to select the alignment parameter "C27."
- ❑ Rotate the CLAR/VFO-B knob so that the VFO-B frequency display shows "90."

### ALC Current Adjustment

- ❑ Connect the Audio Generator to pin 8 of the MIC jack (pin 7: GND) on the rear panel, then set the output level to +0.7 mV @1 kHz.
- ❑ Rotate the Main Dial knob to select the alignment parameter "C7," then rotate the CLAR/VFO-B knob so that the VFO-B frequency display shows "20."
- ❑ Rotate the MIC knob to the fully counter-clockwise position.
- ❑ Press the PTT switch, then gently rotate the MIC knob to the fully clockwise position.
- ❑ Rotate the CLAR/VFO-B knob for 240 W (D/Contest) or 440 W (MP) on the Wattmeter.
- ❑ Release the PTT switch.
- ❑ Perform the same procedures for the Alignment Parameters "C8" through "C16," per the chart below.

ALIGNMENT PARAMETER	VFO-B FREQUENCY DISPLAY	WATTMETER	
		D/CONTEST	MP
C7	20	240 W	440 W
C8	20	260 W	440 W
C9	20	240 W	440 W
C10	20	240 W	440 W
C11	20	240 W	440 W
C12	20	240 W	430 W
C13	20	240 W	440 W
C14	20	240 W	440 W
C15	20	260 W	440 W
C16	20	240 W	440 W

- ❑ Press and hold in the [MNU] key for 2 seconds to exit from the alignment mode.



# Alignment

## Power Adjustment

- ❑ Connect the 50-Ohm Dummy Load and Wattmeter to the ANT 1 jack.
- ❑ Set the MAIN Band (VFO-A) frequency to 14.200 MHz in the CW-U mode.
- ❑ Press and hold in the [ANT1], [ANT3], and [RX ANT] keys, while turning the radio on, to enter the alignment mode.
- ❑ Rotate the Main Dial knob to select the alignment parameter “C21A.”
- ❑ Rotate the CLAR/VFO-B knob so that the VFO-B frequency display shows “0.”
- ❑ Press the PTT switch, then rotate the CLAR/VFO-B knob for 200 W (D/Contest) or 400 W (MP) on the Wattmeter.
- ❑ Release the PTT switch, then press and hold in the [MNU] key for 2 seconds to exit from the alignment mode.

## ALC Meter Adjustment

- ❑ Connect the 50-Ohm Dummy Load and Wattmeter to the ANT 1 jack.
- ❑ Connect the Audio Generator to pin 8 of the MIC jack (pin 7: GND) on the rear panel, then set the output level to +4 mV @1 kHz.
- ❑ Set the MAIN Band (VFO-A) frequency to 14.200 MHz in the USB mode.
- ❑ Rotate the RF PWR knob to the fully clockwise position.
- ❑ Press and hold in the [ANT1], [ANT3], and [RX ANT] keys, while turning the radio on, to enter the alignment mode.
- ❑ Rotate the Main Dial knob to select the alignment parameter “C58.”
- ❑ Press the PTT switch, then rotate the MIC knob to the position where the ALC meter just starts to deflect.
- ❑ Release the PTT switch, then set the Audio Generator output level to +10 mV @1 kHz.
- ❑ Press the [ENT] key, while pressing and holding in the PTT switch, then rotate the CLAR/VFO-B knob for maximum point of the ALC zone on the ALC meter.
- ❑ Release the PTT switch, then press and hold in the [MNU] key for 2 seconds to exit from the alignment mode.

# Alignment

## TX Output Power/PO Meter/TXG Adjustment

- ❑ Referring to table at the right, tune the MAIN Band (VFO-A) frequency to each frequency listed.
- ❑ Connect the Dummy Load and Wattmeter to the "ANT 1" Jack, then set the METER switch to the "PO" position.
- ❑ Set the MAIN Band (VFO-A) frequency to 1.850 MHz in the CW-U mode.
- ❑ Press and hold in the [ANT1], [ANT3], and [RX ANT] keys, while turning the radio on, to enter the alignment mode.

1.8 MHz Band	1.850 MHz, CW
3.5 MHz Band	3.570 MHz, CW
7 MHz Band	7.100 MHz, CW
10 MHz Band	10.100 MHz, CW
14 MHz Band	14.200 MHz, CW
18 MHz Band	18.100 MHz, CW
21 MHz Band	21.200 MHz, CW
24.5 MHz Band	24.900 MHz, CW
28 MHz Band	28.700 MHz, CW
50 MHz Band	52.000 MHz, CW

- ❑ Rotate the Main Dial knob to select the Alignment Parameter "C17A."
- ❑ Rotate the CLAR/VFO-B knob so that the VFO-B frequency display shows "0."
- ❑ Rotate the VRF/μ knob so that the Clarifier frequency display shows "130."
- ❑ Rotate the NOTCH knob for 200 W (D/Contest) or 400 W (MP) on the PO meter.
- ❑ Press the PTT switch, then rotate the CLAR/VFO-B knob for 200 W (D/Contest) or 400 W (MP) on the Wattmeter.
- ❑ Rotate the VRF/μ knob for maximum point of the ALC zone on the ALC meter.
- ❑ Release the PTT switch.
- ❑ Perform the same procedures for the Alignment Menus "C17b" through "C26F," per the chart below.
- ❑ Press and hold in the [MNU] key for 2 seconds to exit from the alignment mode.

Alignment Parameter



VFO-B Frequency Display Clarifier Frequency Display

ALIGNMENT PARAMETER	VFO-B FREQ. DISPLAY	CLAR FREQ. DISPLAY	PO METER		WATTMETER		ALC METER	ALIGNMENT PARAMETER	VFO-B FREQ. DISPLAY	CLAR FREQ. DISPLAY	PO METER		WATTMETER		ALC METER
			D/CONTEST	MP	D/CONTEST	MP					D/CONTEST	MP			
C17A	0	130	200	400	200	400	Max.*	C22A	0	110	200 W	400 W	200 W	400 W	Max.*
C17b	0	130	100	200	100	200	Max.*	C22b	0	110	100 W	200 W	100 W	200 W	Max.*
C17c	0	130	50	100	50	100	Max.*	C22c	0	110	50 W	100 W	50 W	100 W	Max.*
C17d	0	120	20	50	20	50	Max.*	C22d	0	90	20 W	50 W	20 W	50 W	Max.*
C17E	0	110	10	20	10	20	Max.*	C22E	0	80	10 W	20 W	10 W	20 W	Max.*
C17F	0	100	5	10	5	10	Max.*	C22F	0	70	5 W	10 W	5 W	10 W	Max.*
C18A	0	110	200	400	200	400	Max.*	C23A	0	110	200 W	400 W	200 W	400 W	Max.*
C18b	0	110	100	200	100	200	Max.*	C23b	0	110	100 W	200 W	100 W	200 W	Max.*
C18c	0	110	50	100	50	100	Max.*	C23c	0	110	50 W	100 W	50 W	100 W	Max.*
C18d	0	90	20	50	20	50	Max.*	C23d	0	90	20 W	50 W	20 W	50 W	Max.*
C18E	0	80	10	20	10	20	Max.*	C23E	0	80	10 W	20 W	10 W	20 W	Max.*
C18F	0	70	5	10	5	10	Max.*	C23F	0	70	5 W	10 W	5 W	10 W	Max.*
C19A	0	110	200	400	200	400	Max.*	C24A	0	110	200 W	400 W	200 W	400 W	Max.*
C19b	0	110	100	200	100	200	Max.*	C24b	0	110	100 W	200 W	100 W	200 W	Max.*
C19c	0	110	50	100	50	100	Max.*	C24c	0	110	50 W	100 W	50 W	100 W	Max.*
C19d	0	90	20	50	20	50	Max.*	C24d	0	90	20 W	50 W	20 W	50 W	Max.*
C19E	0	80	10	20	10	20	Max.*	C24E	0	80	10 W	20 W	10 W	20 W	Max.*
C19F	0	70	5	10	5	10	Max.*	C24F	0	70	5 W	10 W	5 W	10 W	Max.*
C20A	0	110	200	400	200	400	Max.*	C25A	0	110	200 W	400 W	200 W	400 W	Max.*
C20b	0	110	100	200	100	200	Max.*	C25b	0	110	100 W	200 W	100 W	200 W	Max.*
C20c	0	110	50	100	50	100	Max.*	C25c	0	110	50 W	100 W	50 W	100 W	Max.*
C20d	0	90	20	50	20	50	Max.*	C25d	0	90	20 W	50 W	20 W	50 W	Max.*
C20E	0	80	10	20	10	20	Max.*	C25E	0	80	10 W	20 W	10 W	20 W	Max.*
C20F	0	70	5	10	5	10	Max.*	C25F	0	70	5 W	10 W	5 W	10 W	Max.*
C21A	0	110	200	400	200	400	Max.*	C26A	0	130	200 W	400 W	200 W	400 W	Max.*
C21b	0	110	100	200	100	200	Max.*	C26b	0	130	100 W	200 W	100 W	200 W	Max.*
C21c	0	110	50	100	50	100	Max.*	C26c	0	130	50 W	100 W	50 W	100 W	Max.*
C21d	0	90	20	50	20	50	Max.*	C26d	0	120	20 W	50 W	20 W	50 W	Max.*
C21E	0	80	10	20	10	20	Max.*	C26E	0	110	10 W	20 W	10 W	20 W	Max.*
C21F	0	70	5	10	5	10	Max.*	C26F	0	100	5 W	10 W	5 W	10 W	Max.*

\*: maximum point of the ALC zone on the ALC meter.

## AM-TXG Adjustment

- ❑ Referring to table at the right, tune the MAIN Band (VFO-A) frequency to each frequency listed.
- ❑ Connect the Dummy Load and Wattmeter to the "ANT 1" Jack, then set the MAIN Band (VFO-A) frequency to 1.850 MHz in the AM mode.
- ❑ Press and hold in the [ANT1], [ANT3], and [RX ANT] keys, while turning the radio on, to enter the alignment mode.
- ❑ Rotate the Main Dial knob to select the Alignment Parameter "C28A."
- ❑ Rotate the CLAR/VFO-B knob so that the VFO-B frequency display shows "0."
- ❑ Press the PTT switch without microphone input, then rotate the CLAR/VFO-B knob for 70 W (D/Contest) or 100 W (MP) on the Wattmeter.
- ❑ Release the PTT switch.
- ❑ Perform the same procedures for the Alignment Menus "C28b" through "C37d," per the chart at the right.
- ❑ Press and hold in the [MNU] key for 2 seconds to exit from the alignment mode.

1.8 MHz Band	1.850 MHz, AM
3.5 MHz Band	3.570 MHz, AM
7 MHz Band	7.100 MHz, AM
10 MHz Band	10.100 MHz, AM
14 MHz Band	14.200 MHz, AM
18 MHz Band	18.100 MHz, AM
21 MHz Band	21.200 MHz, AM
24.5 MHz Band	24.900 MHz, AM
28 MHz Band	28.700 MHz, AM
50 MHz Band	52.000 MHz, AM

ALIGNMENT PARAMETER	VFO-B FREQUENCY DISPLAY	WATTMETER	
		D/CONTEST	MP
C28A	0	70 W	100 W
C28b	0	20 W	50 W
C28c	0	10 W	20 W
C28d	0	5 W	10 W
C29A	0	70 W	100 W
C29b	0	20 W	50 W
C29c	0	10 W	20 W
C29d	0	5 W	10 W
C30A	0	70 W	100 W
C30b	0	20 W	50 W
C30c	0	10 W	20 W
C30d	0	5 W	10 W
C31A	0	70 W	100 W
C31b	0	20 W	50 W
C31c	0	10 W	20 W
C31d	0	5 W	10 W
C32A	0	70 W	100 W
C32b	0	20 W	50 W
C32c	0	10 W	20 W
C32d	0	5 W	10 W
C33A	0	70 W	100 W
C33b	0	20 W	50 W
C33c	0	10 W	20 W
C33d	0	5 W	10 W
C34A	0	70 W	100 W
C34b	0	20 W	50 W
C34c	0	10 W	20 W
C34d	0	5 W	10 W
C35A	0	70 W	100 W
C35b	0	20 W	50 W
C35c	0	10 W	20 W
C35d	0	5 W	10 W
C36A	0	70 W	100 W
C36b	0	20 W	50 W
C36c	0	10 W	20 W
C36d	0	5 W	10 W
C37A	0	70 W	100 W
C37b	0	20 W	50 W
C37c	0	10 W	20 W
C37d	0	5 W	10 W

# Alignment

## CLASS-A Adjustment

- Referring to table at the right, tune the MAIN Band (VFO-A) frequency to each frequency listed.
- Connect the Dummy Load and Wattmeter to the "ANT 1" Jack, then set the MAIN Band (VFO-A) frequency to 1.850 MHz in the CW mode.
- Turn on the CLASS-A switch, then rotate the BIAS and RF PWR knobs fully clockwise.
- Press and hold in the [ANT1], [ANT3], and [RX ANT] keys, while turning the radio on, to enter the alignment mode.
- Rotate the Main Dial knob to select the Alignment Parameter "C38."
- Rotate the CLAR/VFO-B knob so that the VFO-B frequency display is shows "0."
- Press the PTT switch, then rotate the CLAR/VFO-B knob for 75 W (D/Contest) or 100 W (MP) on the Wattmeter.
- Release the PTT switch.
- Perform the same procedures for the Alignment Parameters "C39" through "C47," per the chart below.

1.8 MHz Band	1.850 MHz, CW
3.5 MHz Band	3.570 MHz, CW
7 MHz Band	7.100 MHz, CW
10 MHz Band	10.100 MHz, CW
14 MHz Band	14.200 MHz, CW
18 MHz Band	18.100 MHz, CW
21 MHz Band	21.200 MHz, CW
24.5 MHz Band	24.900 MHz, CW
28 MHz Band	28.700 MHz, CW
50 MHz Band	52.000 MHz, CW

ALIGNMENT PARAMETER	VFO-B FREQUENCY DISPLAY	WATTMETER	
		D/CONTEST	MP
C38	0	75 W	100 W
C39	0	75 W	100 W
C40	0	75 W	100 W
C41	0	75 W	100 W
C42	0	75 W	100 W
C43	0	75 W	100 W
C44	0	75 W	100 W
C45	0	75 W	100 W
C46	0	75 W	100 W
C47	0	75 W	100 W

- Press and hold in the [MNU] key for 2 seconds to exit from the alignment mode.

## REV-ALC Adjustment

- Referring to table at the right, tune the MAIN Band (VFO-A) frequency to each frequency listed.
- Connect the 16.6-Ohm Dummy Load and Wattmeter to the "ANT 4" Jack, then set the METER switch to "PO" position.
- Set the MAIN Band (VFO-A) frequency to 7.100 MHz in the CW mode, then press the [ANTENNA SELECT 4] switch.
- Press and hold in the [ANT1], [ANT3], and [RX ANT] keys, while turning the radio on, to enter the alignment mode.
- Rotate the Main Dial knob to select the Alignment Parameter "C50."
- Rotate the CLAR/VFO-B knob so that the VFO-B frequency display shows "0."
- Press the PTT switch, rotate the CLAR/VFO-B knob for 130 W (D/Contest) or 260 W (MP) on the PO meter, then note the VFO-B frequency display reading.
- Release the PTT switch.
- Rotate the Main Dial knob to select the Alignment Parameter "C48."
- Press the PTT switch, then rotate the CLAR/VFO-B knob so that the VFO-B frequency display reading is same as that noted in the previous step.
- Release the PTT switch.
- Perform the same procedures for the Alignment Parameters "C49" through "C57."
- Press and hold in the [MNU] key for 2 seconds to exit from the alignment mode.
- Press the [ANTENNA SELECT 1] switch.

1.8 MHz Band	1.850 MHz, CW
3.5 MHz Band	3.570 MHz, CW
7 MHz Band	7.100 MHz, CW
10 MHz Band	10.100 MHz, CW
14 MHz Band	14.200 MHz, CW
18 MHz Band	18.100 MHz, CW
21 MHz Band	21.200 MHz, CW
24.5 MHz Band	24.900 MHz, CW
28 MHz Band	28.700 MHz, CW
50 MHz Band	52.000 MHz, CW

# Alignment

## FM MAX Deviation Adjustment

- Press the [MNU] key momentarily to enter the Menu (“Set”) mode.
- Rotate the Main Dial knob to select Menu item “MODE-FM 059 FM MIC SELECT.”
- Rotate the CLAR/VFO-B knob to set this Menu item to “REAR.”
- Press and hold in the [MNU] key for 2 seconds to exit from the Menu (“Set”) mode.
- Connect the Dummy Load, Wattmeter, and Deviation Meter to the “ANT 1” Jack.
- Set the MAIN Band (VFO-A) frequency to 28.700 MHz in the FM mode.
- Connect the Audio Generator to pin 8 of the MIC jack (pin 7: GND) on the rear panel, then set the output level to 10 mV @1 kHz.
- Press and hold in the [ANT1], [ANT3], and [RX ANT] keys, while turning the radio on, to enter the alignment mode.
- Rotate the Main Dial knob to select the Alignment Parameter “C59.”
- Press the PTT switch, then rotate the CLAR/VFO-B knob for 4.5 kHz ( $\pm 0.2$  kHz) on the Deviation Meter.
- Release the PTT switch.
- Rotate the Main Dial knob to select the Alignment Parameter “C60.”
- Set the MAIN Band (VFO-A) operating mode to the FM-N mode.
- Press the PTT switch, then rotate the CLAR/VFO-B knob for 2.25 kHz ( $\pm 0.15$  kHz) on the Deviation Meter.
- Release the PTT switch.
- Press and hold in the [MNU] key for 2 seconds to exit from the alignment mode.

## SWR Meter Adjustment (D version)

- Referring to table at the right, tune the MAIN Band (VFO-A) frequency to each frequency listed.
- Connect the 50-Ohm Dummy Load and Wattmeter to the “ANT 1” Jack, then set the METER switch to the “SWR” position.
- Switch the TFT display to the Temperature/SWR Indication Screen.
- Disconnect the 3-pin plug from J2516 on the TX Unit, then apply a  $-2.8$  V DC voltage to pin 2 of J2516, and  $-0.7$  V DC to pin 3 of J2516.
- Set the MAIN Band (VFO-A) frequency to 1.85 MHz in the USB mode.
- Press the PTT switch, then adjust VR2505 on the TX Unit for an SWR reading of 3.0 on the SWR meter on the TFT Display.
- Release the PTT switch.
- Press and hold in the [ANT1], [ANT3], and [RX ANT] keys, while turning the radio on, to enter the alignment mode.
- Apply a  $-7.0$  V DC voltage to pin 2 of J2516, and  $-0.7$  V DC to pin 3 of J2516.
- Rotate the Main Dial knob to select the alignment parameter “C61A.”
- Press the PTT switch, then rotate the CLAR/VFO-B knob for an SWR reading of 1.5 on the SWR meter.
- Release the PTT switch.
- Perform the same procedures for the Alignment Menus “C61b” through “C63c,” per the chart below.

1.8 MHz Band	1.850 MHz, USB
3.5 MHz Band	3.570 MHz, USB
7 MHz Band	7.100 MHz, USB
10 MHz Band	10.100 MHz, USB
14 MHz Band	14.200 MHz, USB
18 MHz Band	18.100 MHz, USB
21 MHz Band	21.200 MHz, USB
24.5 MHz Band	24.900 MHz, USB
28 MHz Band	28.700 MHz, USB
50 MHz Band	52.000 MHz, USB

ALIGNMENT PARAMETER	J2516			SWR METER
	PIN 2	PIN 3	VOLTAGE RATIO	
C61A	$-7.0$ V	$-0.7$ V	10:1	1.5
C61b	$-4.2$ V	$-0.7$ V	6:1	2.0
C61c	$-2.8$ V	$-0.7$ V	4:1	3.0
C62A	$-7.0$ V	$-0.7$ V	10:1	1.5
C62b	$-4.2$ V	$-0.7$ V	6:1	2.0
C62c	$-2.8$ V	$-0.7$ V	4:1	3.0
C63A	$-7.0$ V	$-0.7$ V	10:1	1.5
C63b	$-4.2$ V	$-0.7$ V	6:1	2.0
C63c	$-2.8$ V	$-0.7$ V	4:1	3.0

- Press and hold in the [MNU] key for 2 seconds to exit from the alignment mode.
- Re-connect the 3-pin plug to J2516.

# Alignment

## SWR Meter Adjustment (MP version)

- Referring to table at the right, tune the MAIN Band (VFO-A) frequency to each frequency listed.
- Connect the 50-Ohm Dummy Load and Wattmeter to the "ANT 1" Jack, then set the METER switch to the "SWR" position and turn on the SWR switch.
- Switch the External Display to the Temperature/SWR Indication Screen.
- Disconnect the 3-pin plug from J2516 on the TX Unit, then apply a -2.8 V DC voltage to pin 2 of J2516, and -1.4 V DC to pin 3 of J2516.
- Set the MAIN Band (VFO-A) frequency to 1.85 MHz in the USB mode.
- Press the PTT switch, then adjust VR2505 on the TX Unit for an SWR reading of 3.0 on the SWR meter on the External Display.
- Release the PTT switch.
- Press and hold in the [ANT1], [ANT3], and [RX ANT] keys, while turning the radio on, to enter the alignment mode.
- Apply a -7.0 V DC voltage to pin 2 of J2516, and -1.4 V DC to pin 3 of J2516.
- Rotate the Main Dial knob to select the alignment parameter "C61A."
- Press the PTT switch, then rotate the CLAR/VFO-B knob for an SWR reading of 1.5 on the SWR meter.
- Rotate the NOTCH knob for an SWR reading of 1.5 on the TEMP/SWR meter.
- Release the PTT switch.
- Perform the same procedures for the Alignment Menus "C61b" through "C63c," per the chart below.
- Press and hold in the [MNU] key for 2 seconds to exit from the alignment mode.
- Re-connect the 3-pin plug to J2516.

1.8 MHz Band	1.850 MHz, USB
3.5 MHz Band	3.570 MHz, USB
7 MHz Band	7.100 MHz, USB
10 MHz Band	10.100 MHz, USB
14 MHz Band	14.200 MHz, USB
18 MHz Band	18.100 MHz, USB
21 MHz Band	21.200 MHz, USB
24.5 MHz Band	24.900 MHz, USB
28 MHz Band	28.700 MHz, USB
50 MHz Band	52.000 MHz, USB

## SWR Meter Adjustment (Contest version)

- Referring to table at the right, tune the MAIN Band (VFO-A) frequency to each frequency listed.
- Connect the 50-Ohm Dummy Load and Wattmeter to the "ANT 1" Jack, then set the METER switch to the "SWR" position and turn on the SWR switch.
- Connect the DC voltmeter (Hi Impedance) to the center leg of VR2506 (or TP2528) on the TX Unit.
- Disconnect the 3-pin plug from J2516 on the TX Unit, then apply a -2.8 V DC voltage to pin 2 of J2516, and -0.7 V DC to pin 3 of J2516.
- Set the MAIN Band (VFO-A) frequency to 1.85 MHz in the USB mode.
- Press the PTT switch, and note the DC voltmeter reading.
- Disconnect the DC voltmeter from VR2506 (or TP2528), then connect it to the center leg of VR2505 (or TP2527) on the TX Unit.
- Adjust VR2505 so that the DC voltmeter reading is 1/4 of the voltage noted in the previous step.
- Release the PTT switch.

1.8 MHz Band	1.850 MHz, USB
3.5 MHz Band	3.570 MHz, USB
7 MHz Band	7.100 MHz, USB
10 MHz Band	10.100 MHz, USB
14 MHz Band	14.200 MHz, USB
18 MHz Band	18.100 MHz, USB
21 MHz Band	21.200 MHz, USB
24.5 MHz Band	24.900 MHz, USB
28 MHz Band	28.700 MHz, USB
50 MHz Band	52.000 MHz, USB

ALIGNMENT PARAMETER	J2516			SWR METER	TEMP/SWR METER
	PIN 2	PIN 3	VOLTAGE RATIO		
C61A	-7.0 V	-1.4 V	5:1	1.5	1.5
C61b	-4.2 V	-1.4 V	3:1	2.0	2.0
C61c	-2.8 V	-1.4 V	2:1	3.0	3.0
C62A	-7.0 V	-1.4 V	5:1	1.5	1.5
C62b	-4.2 V	-1.4 V	3:1	2.0	2.0
C62c	-2.8 V	-1.4 V	2:1	3.0	3.0
C63A	-7.0 V	-1.4 V	5:1	1.5	1.5
C63b	-4.2 V	-1.4 V	3:1	2.0	2.0
C63c	-2.8 V	-1.4 V	2:1	3.0	3.0

# Alignment

- ❑ Press and hold in the [ANT1], [ANT3], and [RX ANT] keys, while turning the radio on, to enter the alignment mode.
- ❑ Apply a -7.0 V DC voltage to pin 2 of J2516, and -0.7 V DC to pin 3 of J2516.
- ❑ Rotate the Main Dial knob to select the alignment parameter "C61A."
- ❑ Press the PTT switch, then rotate the CLAR/VFO-B knob for an SWR reading of 1.5 on the SWR meter.
- ❑ Release the PTT switch.
- ❑ Perform the same procedures for the Alignment Menus "C61b" through "C63c," per the chart below.
- ❑ Press and hold in the [MNU] key for 2 seconds to exit from the alignment mode.
- ❑ Re-connect the 3-pin plug to J2516.

## IDD Meter Adjustment

- ❑ Connect the 50-Ohm Dummy Load and Wattmeter to the "ANT 1" Jack, then set the METER switch to the "IDD" position.
- ❑ Remove the fuse from FH7501 on the PA-B Unit (D/Contest version), or the fuses from the FH4001 and FH4002 on the PA-A Unit (MP version).
- ❑ Connect the DC ammeter across FH7501 (D/Contest version), or across FH4001 and FH4002 (in parallel) (MP version).
- ❑ Set the MAIN Band (VFO-A) frequency to 14.200 MHz in the CW mode.
- ❑ Press and hold in the [ANT1], [ANT3], and [RX ANT] keys, while turning the radio on, to enter the alignment mode.
- ❑ Rotate the Main Dial knob to select the alignment parameter "C64."
- ❑ Press the PTT switch, then rotate the CLAR/VFO-B knob so that the IDD meter reading is same as that on the DC ammeter.
- ❑ Press the [ENT] key, then release the PTT switch.
- ❑ Press and hold in the [MNU] key for 2 seconds to exit from the alignment mode.
- ❑ Re-connect the fuse into FH7501 (D/Contest version), or the fuses into FH4001 and FH4002 (MP version).

ALIGNMENT PARAMETER	J2516			SWR METER	TEMP/SWR METER
	PIN 2	PIN 3	VOLTAGE RATIO		
C61A	-7.0 V	-0.7 V	10:1	1.5	1.5
C61b	-4.2 V	-0.7 V	6:1	2.0	2.0
C61c	-2.8 V	-0.7 V	4:1	3.0	3.0
C62A	-7.0 V	-0.7 V	10:1	1.5	1.5
C62b	-4.2 V	-0.7 V	6:1	2.0	2.0
C62c	-2.8 V	-0.7 V	4:1	3.0	3.0
C63A	-7.0 V	-7.0 V	10:1	1.5	1.5
C63b	-4.2 V	-7.0 V	6:1	2.0	2.0
C63c	-2.8 V	-7.0 V	4:1	3.0	3.0

# Alignment

## *COMP Meter Adjustment*

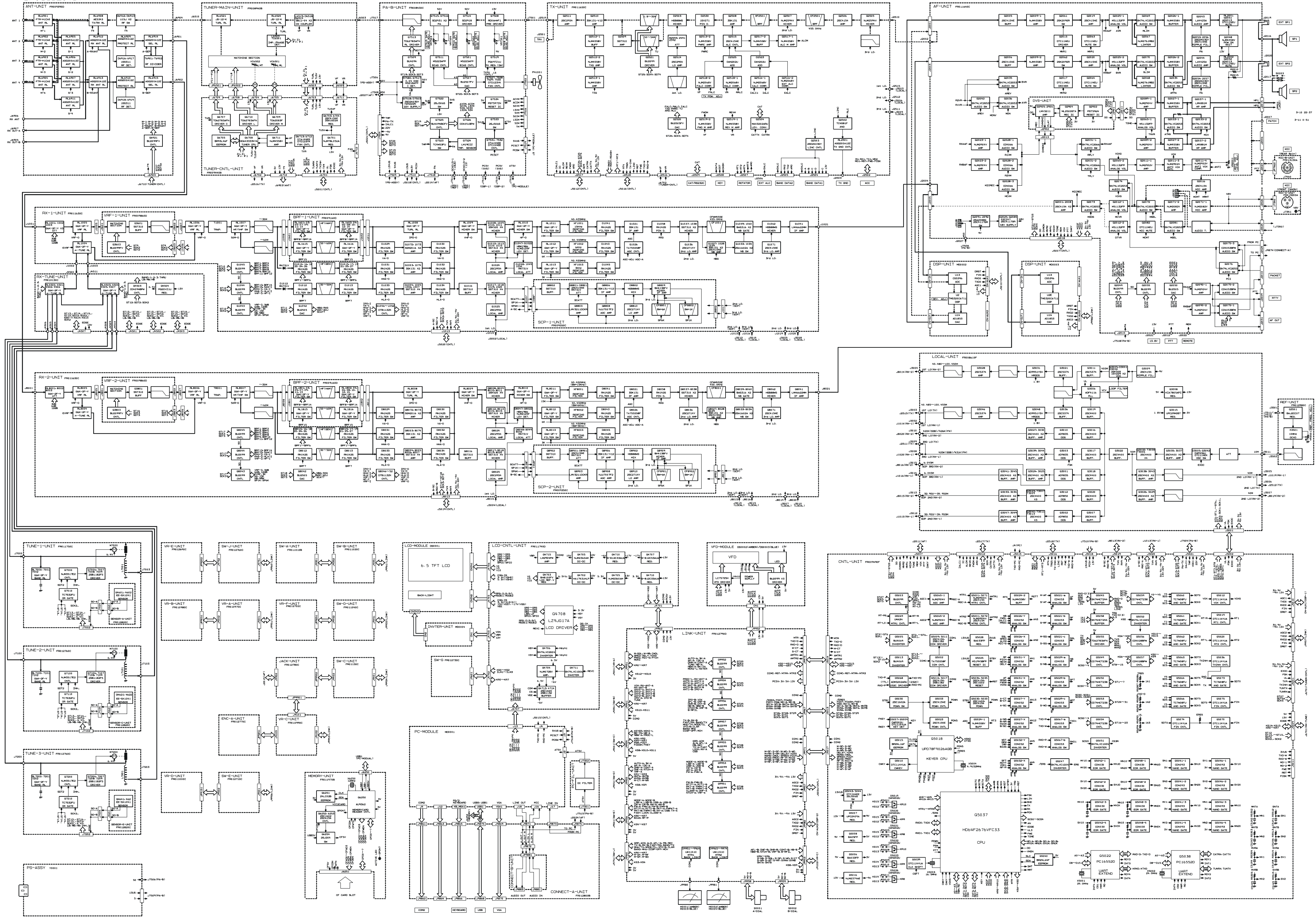
- ❑ Press and hold in the [ANT1], [ANT3], and [RX ANT] keys, while turning the radio on, to enter the alignment mode.
- ❑ Set the METER switch to the "COMP" position.
- ❑ Rotate the Main Dial knob to select the alignment parameter "C65," then rotate the CLAR/VFO-B knob for "10 dB" on the COMP meter.
- ❑ Rotate the Main Dial knob to select the alignment parameter "C66," then rotate the CLAR/VFO-B knob for "20 dB" on the COMP meter.
- ❑ Rotate the Main Dial knob to select the alignment parameter "C67," then rotate the CLAR/VFO-B knob so that the COMP meter deflects to full scale.
- ❑ Press and hold in the [MNU] key for 2 seconds to exit from the alignment mode.

## *MIC Meter Adjustment*

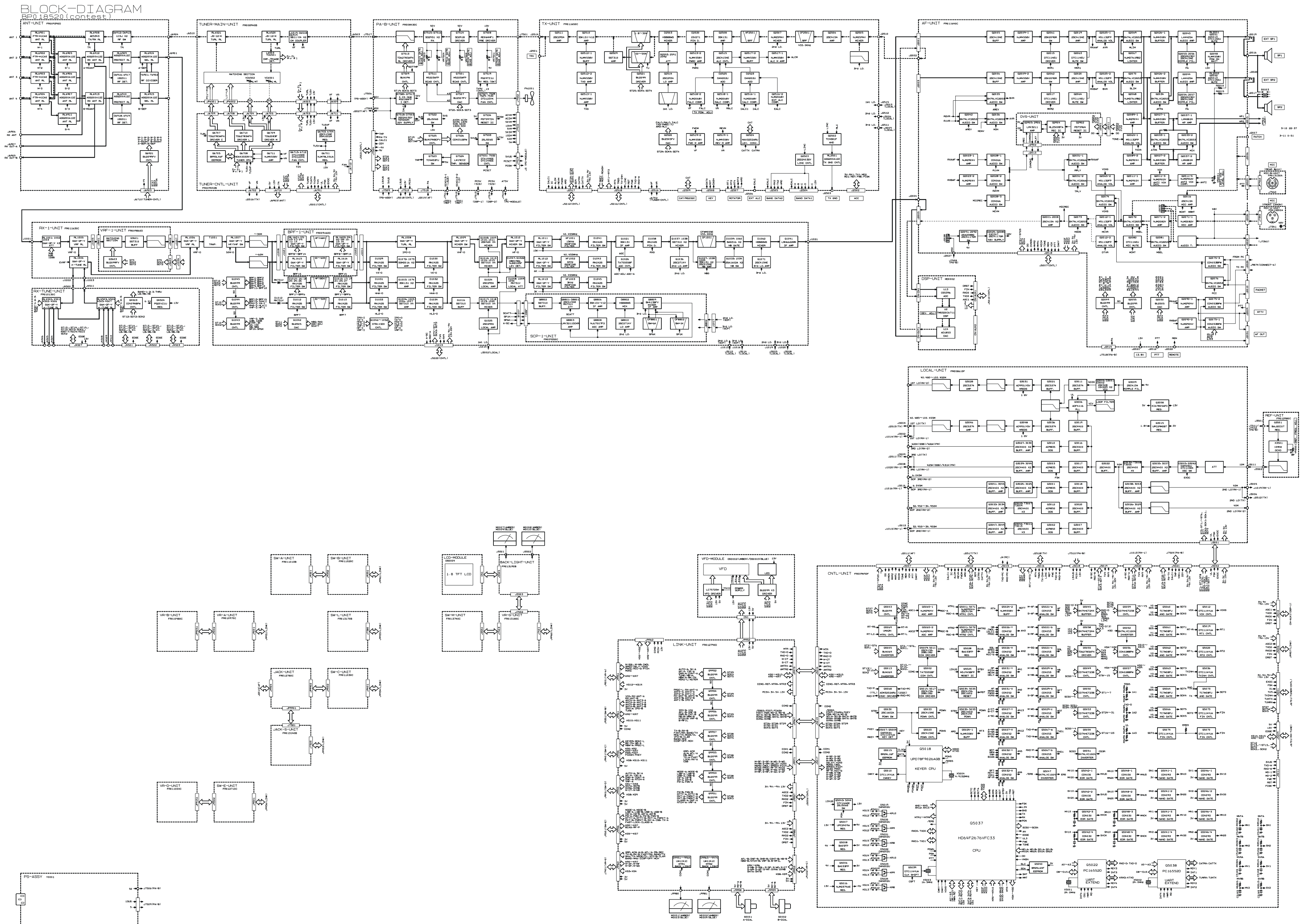
- ❑ Connect the 50-Ohm Dummy Load and Wattmeter to the "ANT 1" Jack, then set the METER switch to the "MIC" position.
- ❑ Connect the Audio Generator to pin 8 of the MIC jack (pin 7: GND) on the rear panel, then set the output level to 1 mV @1 kHz.
- ❑ Set the MAIN Band (VFO-A) frequency to 14.200 MHz in the USB mode.
- ❑ Turn off the PROC switch, then rotate the MIC knob to the 12 o'clock position.
- ❑ Press and hold in the [ANT1], [ANT3], and [RX ANT] keys, while turning the radio on, to enter the alignment mode.
- ❑ Rotate the Main Dial knob to select the alignment parameter "C68."
- ❑ Press the PTT switch, then rotate the CLAR/VFO-B knob so that the MIC meter deflects to the center (12 o'clock) position.
- ❑ Press the [ENT] key, then release the PTT switch.
- ❑ Rotate the Main Dial knob to select the alignment parameter "C69."
- ❑ Increase the Audio Generator output level to 2 mV.
- ❑ Press the PTT switch, then rotate the CLAR/VFO-B knob so that the MIC meter deflects to full scale.
- ❑ Press the [ENT] key, then release the PTT switch.
- ❑ Press and hold in the [MNU] key for 2 seconds to exit from the alignment mode.



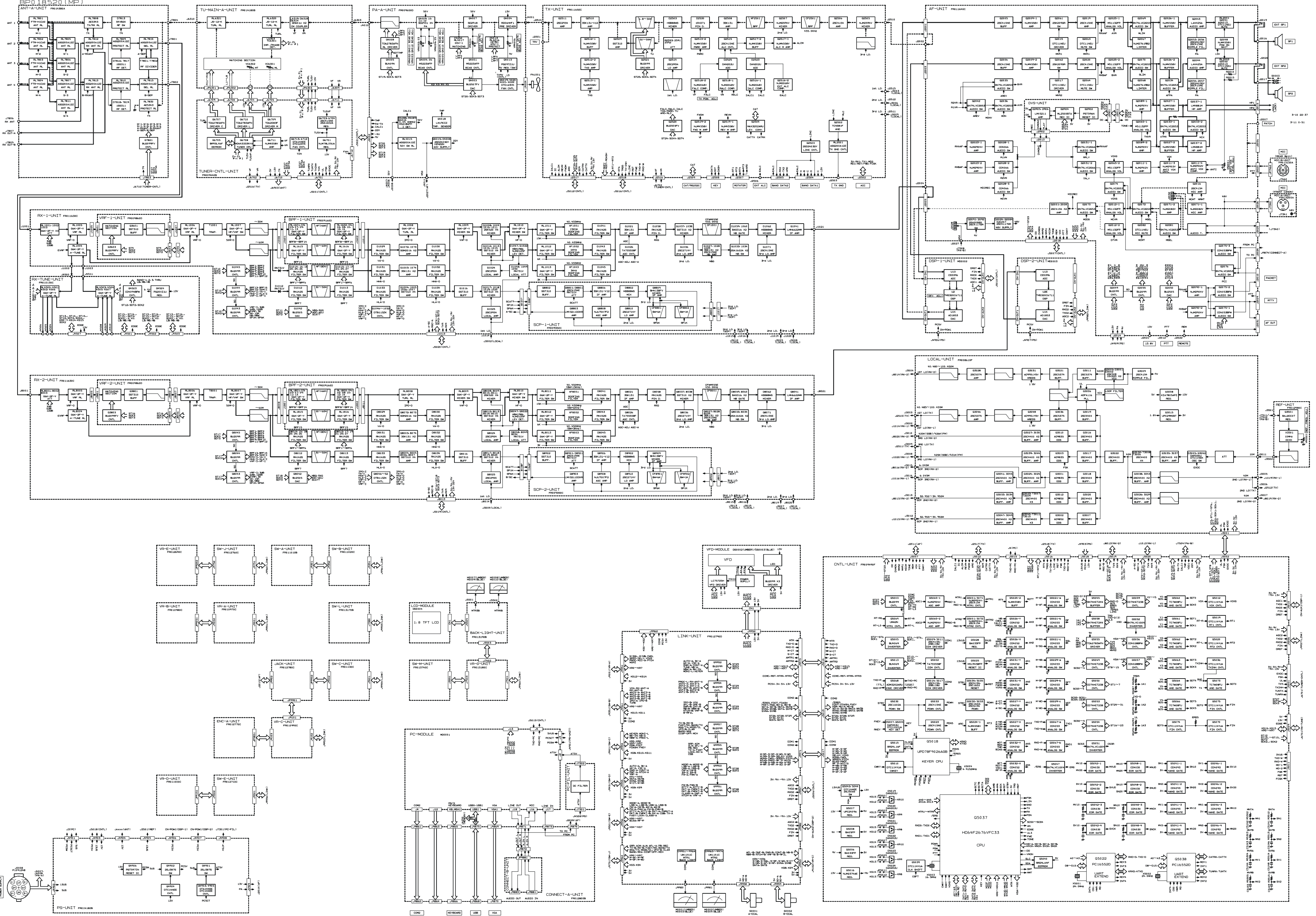
BLOCK-DIAGRAM  
BP01B520 (D)



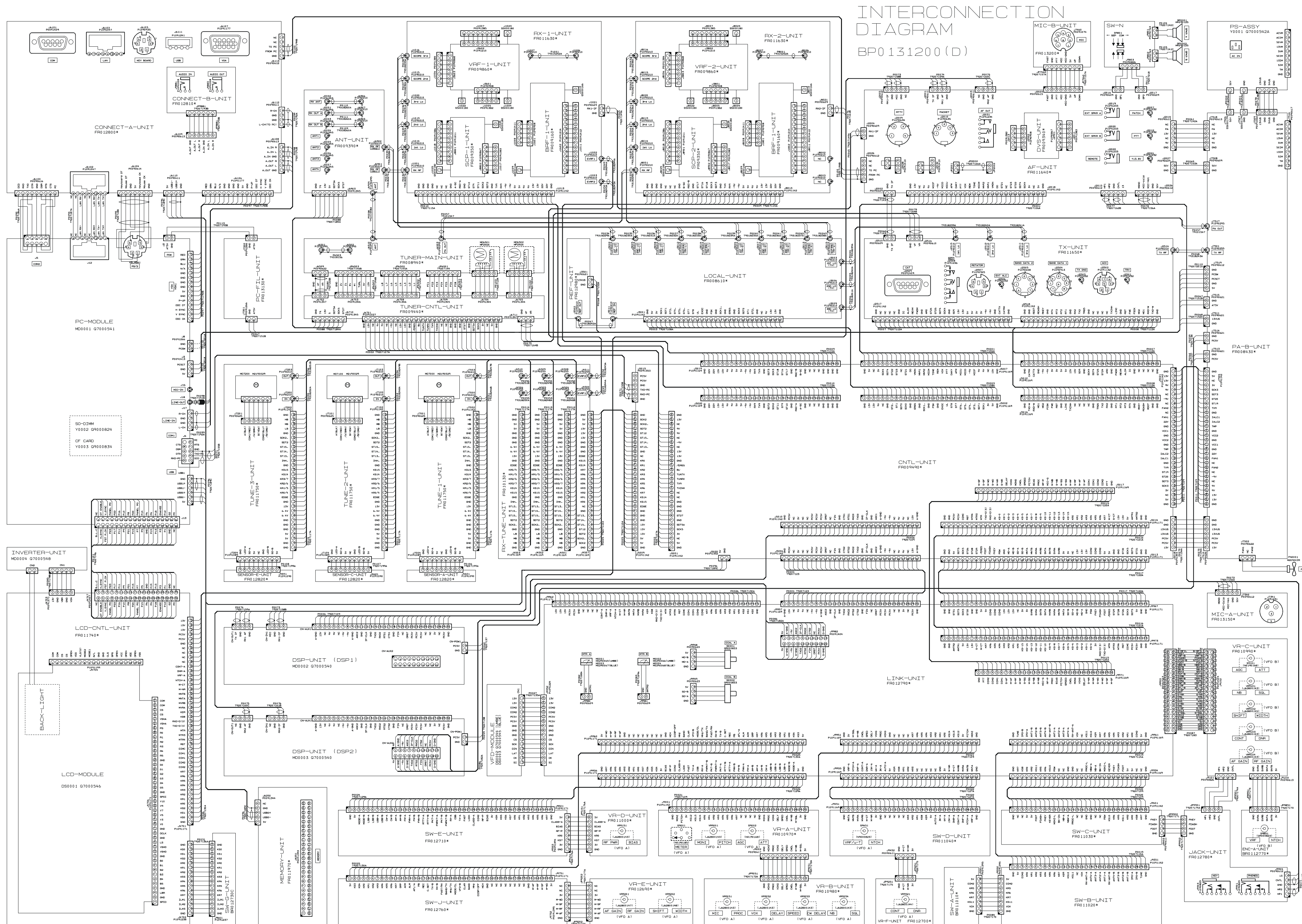
# Block Diagram (Contest Type)



BLOCK-DIAGRAM  
BP018520 (MP)

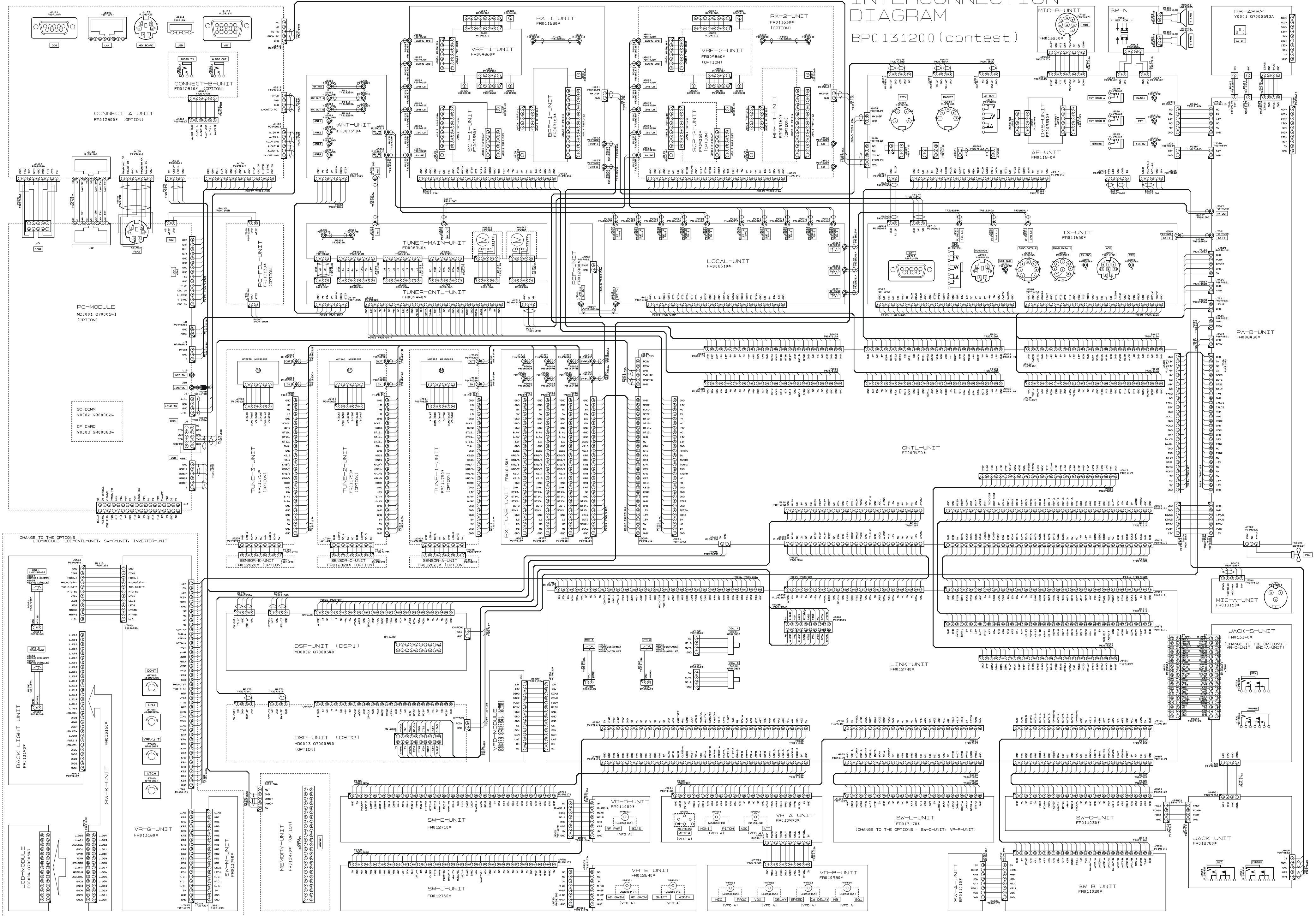


*Note*



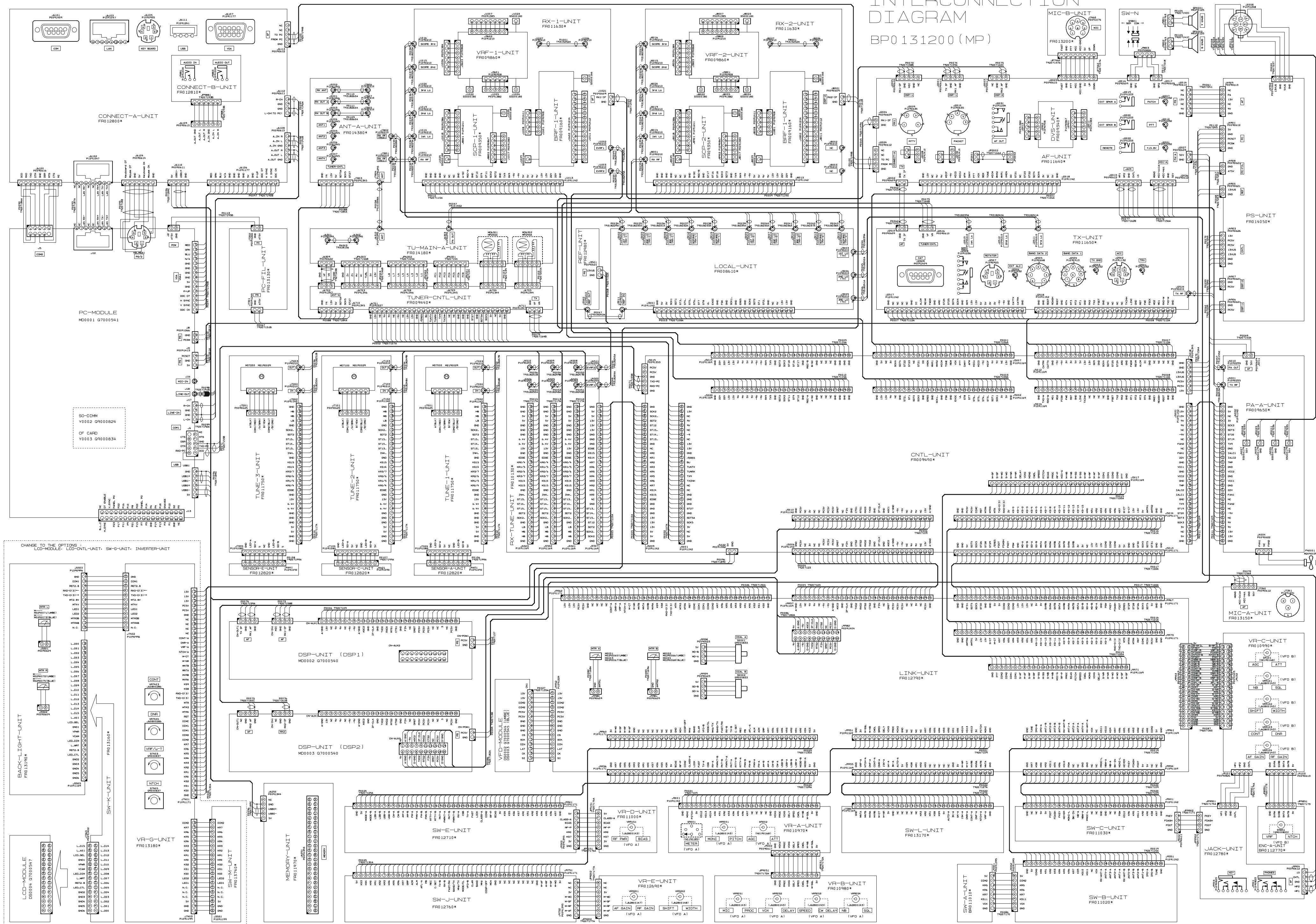
INTERCONNECTION  
DIAGRAM  
BP0131200 (D)

# Interconnection Diagram (Contest Type)



# INTERCONNECTION DIAGRAM BP0131200 (contest)

INTERCONNECTION DIAGRAM-2

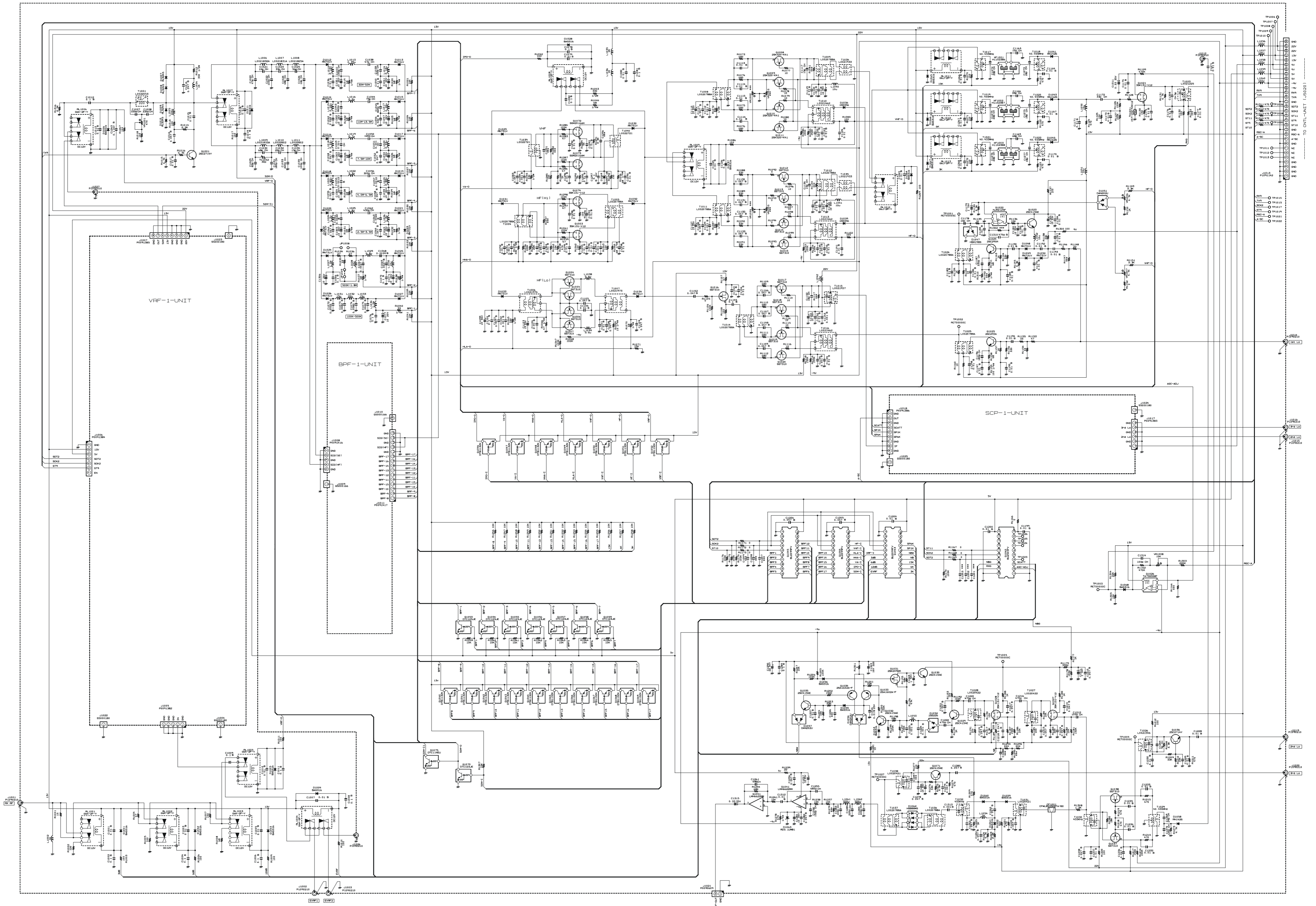


INTERCONNECTION  
DIAGRAM  
BP0 13 1200 (MP)

## *Interconnection Diagram*

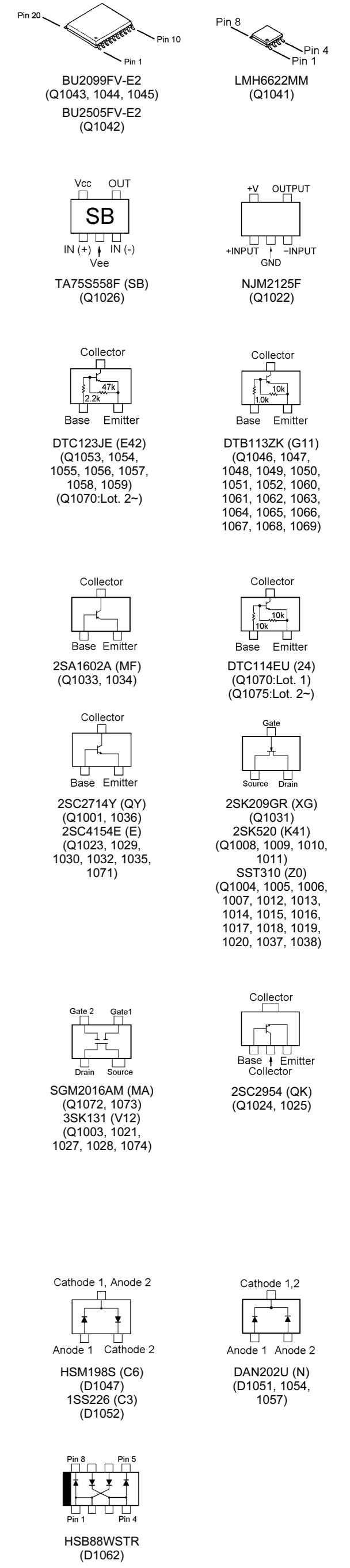
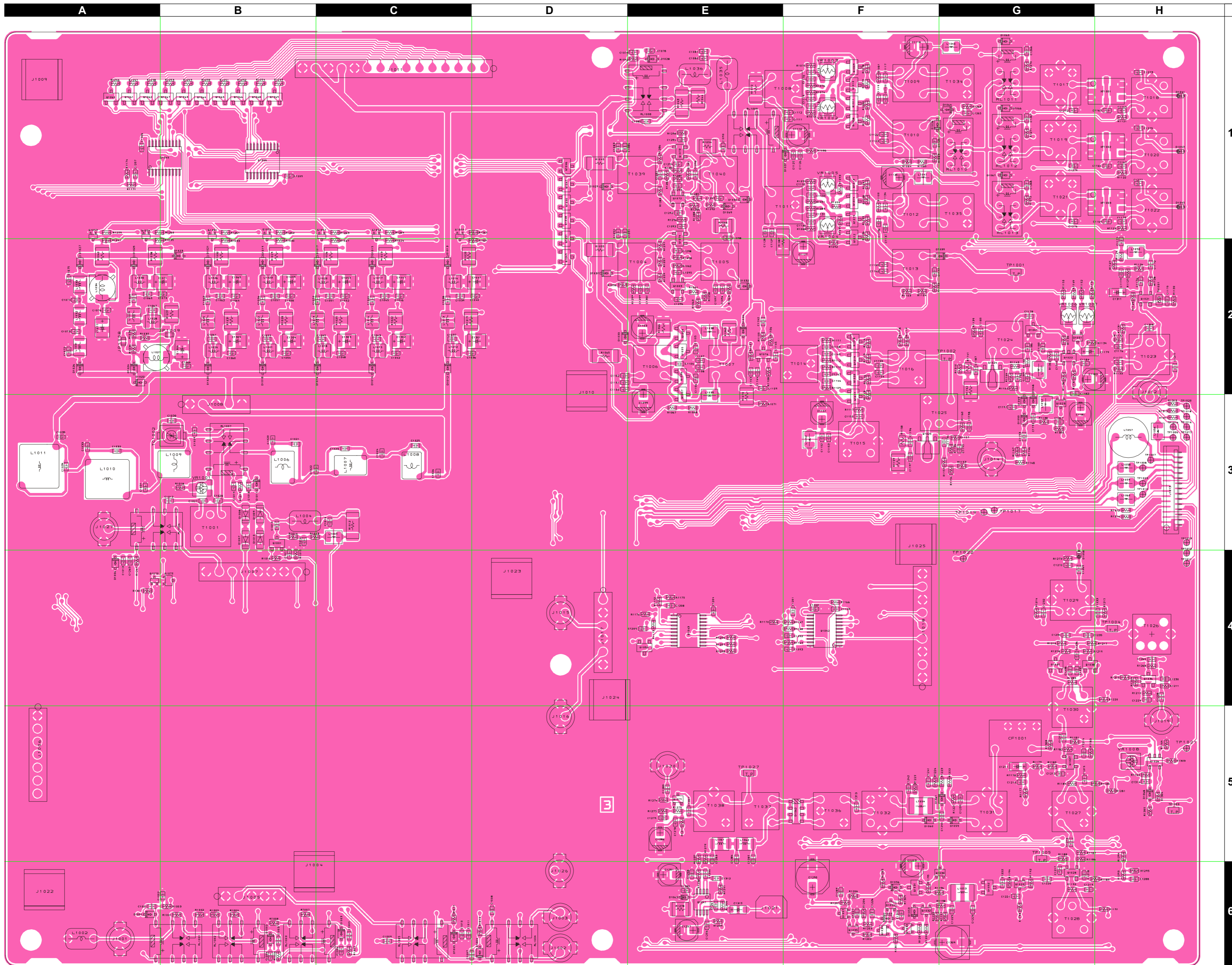
*Note*



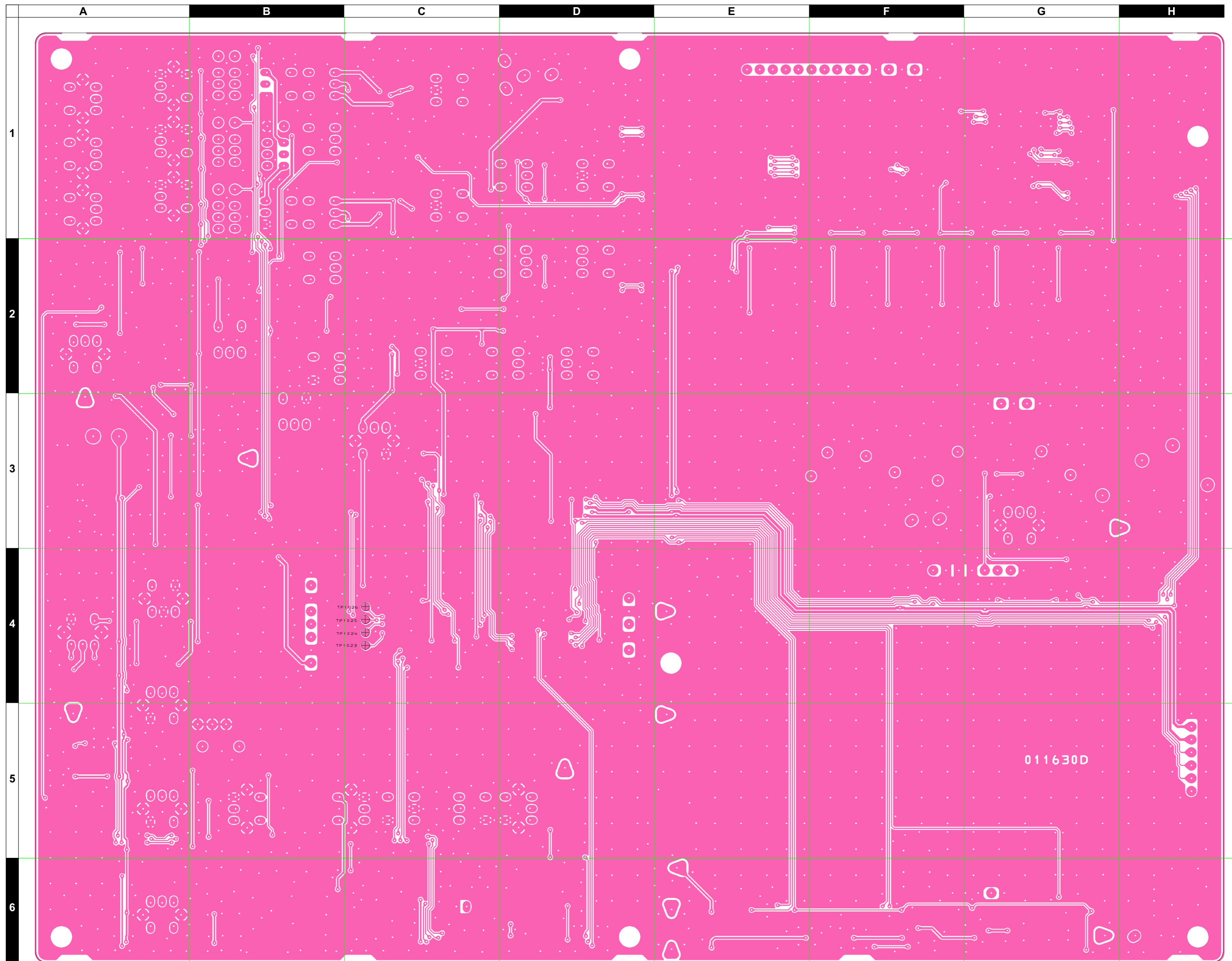


*RX-1 Unit*

*Note*



Side A



Side B

# RX-1 Unit

## Parts List

REF	DESCRIPTION	VALUE	V/W	TOL.	MFR'S DESIG	VXSTD P/N	VERS.	LOT	SIDE	LAY ADR
PCB with Components						CB2739001				
Printed Circuit Board						FR011630B		1		
						FR011630C		2-		
						FR011630D		4-		
C 1001	CHIP CAP.	0.01uF	50V	B	GRM188B11H103KA01D	K22174823		1-	A	A6
C 1002	CHIP CAP.	0.1uF	16V	B	GRM188B11C104KA01D	K22124805		1-	A	B6
C 1003	CHIP CAP.	0.01uF	50V	B	GRM188B11H103KA01D	K22174823		1-	A	B6
C 1004	CHIP CAP.	0.1uF	16V	B	GRM188B11C104KA01D	K22124805		1-	A	B6
C 1005	CHIP CAP.	0.01uF	50V	B	GRM188B11H103KA01D	K22174823		1-	A	C6
C 1006	CHIP CAP.	0.1uF	16V	B	GRM188B11C104KA01D	K22124805		1-	A	C6
C 1007	CHIP CAP.	0.01uF	50V	B	GRM188B11H103KA01D	K22174823		1-	A	C6
C 1008	CHIP CAP.	0.1uF	16V	B	GRM188B11C104KA01D	K22124805		1-	A	D6
C 1009	CHIP CAP.	0.1uF	16V	B	GRM188B11C104KA01D	K22124805		1-	A	C6
C 1010	CHIP CAP.	0.01uF	50V	B	GRM188B11H103KA01D	K22174823		1-	A	C6
C 1011	CHIP CAP.	0.1uF	16V	B	GRM188B11C104KA01D	K22124805		1-	A	C6
C 1012	CHIP CAP.	0.1uF	16V	B	GRM188B11C104KA01D	K22124805		1-	A	B3
C 1013	CHIP CAP.	0.01uF	50V	B	GRM188B11H103KA01D	K22174823		1-	A	A4
C 1014	CHIP CAP.	0.047uF	16V	B	GRM39B473K16PT	K22124804		1-	A	C3
C 1015	CHIP CAP.	0.01uF	50V	B	GRM188B11H103KA01D	K22174823		1-	A	B3
C 1016	CHIP CAP.	0.047uF	16V	B	GRM39B473K16PT	K22124804		1-	A	B3
C 1017	CHIP CAP.	0.01uF	50V	B	GRM188B11H103KA01D	K22174823		1-	A	B4
C 1018	CHIP CAP.	0.01uF	50V	B	GRM188B11H103KA01D	K22174823		1-	A	B3
C 1019	CHIP CAP.	0.1uF	16V	B	GRM188B11C104KA01D	K22124805		1-	A	B3
C 1020	CHIP CAP.	47pF	50V	CH	GRM1882C1H470JA01D	K22174227		1-	A	B3
C 1021	CHIP CAP.	10pF	50V	CH	GRM1882C1H100RZ01D	K22174248		1-	A	B3
C 1022	CHIP CAP.	100pF	50V	CH	GRM1882C1H101JA01D	K22174235		1-	A	B3
C 1023	CHIP CAP.	33pF	50V	CH	GRM1882C1H330JA01D	K22174223		1-	A	C3
C 1024	CHIP CAP.	68pF	50V	CH	GRM1882C1H680JA01D	K22174231		1-	A	C3
C 1025	CHIP CAP.	56pF	50V	CH	GRM1882C1H560JA01D	K22174229		1-	A	C3
C 1026	CHIP CAP.	12pF	50V	CH	GRM1882C1H120JA01D	K22174213		2-	A	C3
C 1027	CHIP CAP.	330pF	50V	CH	GRM1882C1H331JA01D	K22174253		1-	A	B3
C 1028	CHIP CAP.	330pF	50V	CH	GRM1882C1H331JA01D	K22174253		1-	A	B3
C 1029	CHIP CAP.	82pF	50V	CH	GRM1882C1H820JA01D	K22174233		1-	A	B3
C 1030	CHIP CAP.	68pF	50V	CH	GRM1882C1H680JA01D	K22174231		1-	A	B3
C 1031	CHIP CAP.	180pF	50V	CH	GRM1882C1H181JA01D	K22174241		1-	A	A3
C 1032	CHIP CAP.	22pF	50V	CH	GRM1882C1H220JA01D	K22174219		1-	A	A3
C 1033	CHIP CAP.	220pF	50V	CH	GRM1882C1H221JA01D	K22174243		1-	A	A3
C 1034	CHIP CAP.	15pF	50V	CH	GRM1882C1H150JA01D	K22174215		1-	A	A3
C 1035	CHIP CAP.	100pF	50V	CH	GRM1882C1H101JA01D	K22174235		1-	A	A3
C 1036	CHIP CAP.	0.01uF	50V	B	GRM188B11H103KA01D	K22174823		1-	A	C2
C 1037	CHIP CAP.	150pF	50V	CH	GRM1882C1H151JA01D	K22174239		1-	A	C2
C 1038	CHIP CAP.	47pF	50V	CH	GRM1882C1H470JA01D	K22174227		1-	A	C2
C 1039	CHIP CAP.	150pF	50V	CH	GRM1882C1H151JA01D	K22174239		1-	A	C2
C 1040	CHIP CAP.	0.01uF	50V	B	GRM188B11H103KA01D	K22174823		1-	A	D2
C 1041	CHIP TA.CAP.	10uF	20V		TEMSVB21D106M-8R	K78130028		1-	A	D2
C 1042	CHIP CAP.	0.022uF	25V	B	GRM39B223K25PT	K22144807		1-	A	C2
C 1043	CHIP CAP.	820pF	50V	B	GRM188B11H821KA01D	K22174808		1-	A	C2
C 1044	CHIP CAP.	75pF	50V	CH	GRM1882C1H750J201D	K22174232		1-	A	C2
C 1045	CHIP CAP.	820pF	50V	B	GRM188B11H821KA01D	K22174808		1-	A	C2
C 1046	CHIP CAP.	0.022uF	25V	B	GRM39B223K25PT	K22144807		1-	A	C2
C 1047	CHIP TA.CAP.	10uF	20V		TEMSVB21D106M-8R	K78130028		1-	A	C2
C 1048	CHIP CAP.	0.047uF	16V	B	GRM39B473K16PT	K22124804		1-	A	C2
C 1049	CHIP CAP.	0.001uF	25V	CH	GRM1882C1E102JA01D	K22144204		1-	A	C2
C 1050	CHIP CAP.	120pF	50V	CH	GRM1882C1H121JA01D	K22174237		1-	A	C2
C 1051	CHIP CAP.	0.001uF	25V	CH	GRM1882C1E102JA01D	K22144204		1-	A	C2
C 1052	CHIP CAP.	0.047uF	16V	B	GRM39B473K16PT	K22124804		1-	A	C2
C 1053	CHIP TA.CAP.	10uF	20V		TEMSVB21D106M-8R	K78130028		1-	A	C2
C 1054	CHIP CAP.	0.047uF	16V	B	GRM39B473K16PT	K22124804		1-	A	B2
C 1055	CHIP CAP.	0.0012uF	50V	B	GRM188B11H122KA01D	K22174826		1-	A	B2
C 1056	CHIP CAP.	300pF	50V	CH	GRM1882C1H301JA01D	K22174252		1-	A	B2
C 1057	CHIP CAP.	0.0012uF	50V	B	GRM188B11H122KA01D	K22174826		1-	A	B2
C 1058	CHIP CAP.	0.047uF	16V	B	GRM39B473K16PT	K22124804		1-	A	B2
C 1059	CHIP TA.CAP.	10uF	20V		TEMSVB21D106M-8R	K78130028		1-	A	B2
C 1060	CHIP CAP.	0.047uF	16V	B	GRM39B473K16PT	K22124804		1-	A	B2
C 1061	CHIP CAP.	0.0022uF	50V	B	GRM188B11H222KA01D	K22174822		1-	A	B2
C 1062	CHIP CAP.	430pF	50V	CH	GRM1882C1H431JA01D	K22174256		1-	A	B2
C 1063	CHIP CAP.	0.0022uF	50V	B	GRM188B11H222KA01D	K22174822		1-	A	B2
C 1064	CHIP CAP.	0.047uF	16V	B	GRM39B473K16PT	K22124804		1-	A	B2
C 1065	CHIP TA.CAP.	10uF	20V		TEMSVB21D106M-8R	K78130028		1-	A	B2
C 1066	CHIP CAP.	0.1uF	16V	B	GRM188B11C104KA01D	K22124805		1-	A	B2
C 1067	CHIP CAP.	0.0027uF	50V	B	GRM188B11H272KA01D	K22174829		1-	A	A2
C 1068	CHIP CAP.	0.0039uF	50V	B	GRM188B11H392KA01D	K22174830		1-	A	A2
C 1069	CHIP CAP.	0.0027uF	50V	B	GRM188B11H272KA01D	K22174829		1-	A	A2

# RX-1 Unit

## Parts List

REF	DESCRIPTION	VALUE	V/W	TOL.	MFR'S DESIG	VXSTD P/N	VERS.	LOT	SIDE	LAY ADR
C 1070	CHIP CAP.	0.1uF	16V	B	GRM188B11C104KA01D	K22124805		1-	A	B2
C 1071	CHIP TA.CAP.	10uF	20V		TEMSVB21D106M-8R	K78130028		1-	A	B2
C 1072	CHIP CAP.	0.0022uF	50V	B	GRM188B11H222KA01D	K22174822		1-	A	A2
C 1073	CHIP CAP.	0.0082uF	25V	B	GRM39B822M25PT	K22144801		1-	A	A2
C 1074	CHIP CAP.	0.0082uF	25V	B	GRM39B822M25PT	K22144801		1-	A	A2
C 1075	CHIP CAP.	0.0022uF	50V	B	GRM188B11H222KA01D	K22174822		1-	A	A2
C 1076	CHIP CAP.	0.1uF	16V	B	GRM188B11C104KA01D	K22124805		1-	A	A2
C 1077	CHIP TA.CAP.	10uF	20V		TEMSVB21D106M-8R	K78130028		1-	A	A2
C 1078	CHIP CAP.	0.1uF	16V	B	GRM188B11C104KA01D	K22124805		1-	A	E1
C 1079	CHIP CAP.	0.01uF	50V	B	GRM188B11H103KA01D	K22174823		1-	A	E1
C 1080	CHIP CAP.	0.01uF	50V	B	GRM188B11H103KA01D	K22174823		1-	A	E1
C 1081	CHIP CAP.	0.1uF	16V	B	GRM188B11C104KA01D	K22124805		1-	A	E1
C 1082	CHIP CAP.	0.1uF	16V	B	GRM188B11C104KA01D	K22124805		1-	A	E1
C 1083	CHIP CAP.	0.047uF	16V	B	GRM39B473K16PT	K22124804		1-	A	D1
C 1084	CHIP CAP.	0.001uF	50V	B	GRM188B11H102KA01D	K22174821		1-	A	D1
C 1090	CHIP CAP.	0.01uF	50V	B	GRM188B11H103KA01D	K22174823		1-	A	E1
C 1091	CHIP CAP.	0.001uF	50V	B	GRM188B11H102KA01D	K22174821		1-	A	D1
C 1092	CHIP CAP.	0.01uF	50V	B	GRM188B11H103KA01D	K22174823		1-	A	D1
C 1093	CHIP CAP.	0.01uF	50V	B	GRM188B11H103KA01D	K22174823		1-	A	E1
C 1094	CHIP CAP.	0.01uF	50V	B	GRM188B11H103KA01D	K22174823		1-	A	E2
C 1095	CHIP CAP.	0.01uF	50V	B	GRM188B11H103KA01D	K22174823		1-	A	E2
C 1096	CHIP CAP.	0.01uF	50V	B	GRM188B11H103KA01D	K22174823		1-	A	E2
C 1097	CHIP CAP.	0.001uF	50V	B	GRM188B11H102KA01D	K22174821		1-	A	E2
C 1098	CHIP CAP.	0.01uF	50V	B	GRM188B11H103KA01D	K22174823		1-	A	E1
C 1099	AL.ELECTRO.CAP.	10uF	35V		ECEV1VA100WR	K48160004		1-	A	E3
C 1100	CHIP CAP.	0.1uF	16V	B	GRM188B11C104KA01D	K22124805		1-	A	D2
C 1101	CHIP CAP.	0.047uF	16V	B	GRM39B473K16PT	K22124804		1-	A	D2
C 1102	CHIP CAP.	0.001uF	50V	B	GRM188B11H102KA01D	K22174821		1-	A	D2
C 1103	AL.ELECTRO.CAP.	10uF	35V		ECEV1VA100WR	K48160004		1-	A	E2
C 1104	CHIP CAP.	0.01uF	50V	B	GRM188B11H103KA01D	K22174823		1-	A	E2
C 1105	CHIP CAP.	0.047uF	16V	B	GRM39B473K16PT	K22124804		1-	A	E2
C 1106	CHIP CAP.	0.01uF	50V	B	GRM188B11H103KA01D	K22174823		1-	A	E2
C 1107	CHIP CAP.	0.01uF	50V	B	GRM188B11H103KA01D	K22174823		1-	A	E2
C 1108	CHIP CAP.	0.047uF	16V	B	GRM39B473K16PT	K22124804		1-	A	E2
C 1109	CHIP CAP.	0.047uF	16V	B	GRM39B473K16PT	K22124804		1-	A	E2
C 1110	AL.ELECTRO.CAP.	10uF	35V		ECEV1VA100WR	K48160004		1-	A	F1
C 1111	CHIP CAP.	0.047uF	16V	B	GRM39B473K16PT	K22124804		1-	A	F1
C 1112	CHIP CAP.	0.001uF	50V	B	GRM188B11H102KA01D	K22174821		1-	A	F1
C 1113	CHIP CAP.	0.01uF	50V	B	GRM188B11H103KA01D	K22174823		1-	A	F1
C 1114	CHIP CAP.	0.01uF	50V	B	GRM188B11H103KA01D	K22174823		1-	A	F1
C 1115	CHIP CAP.	0.01uF	50V	B	GRM188B11H103KA01D	K22174823		1-	A	F1
C 1116	CHIP CAP.	0.01uF	50V	B	GRM188B11H103KA01D	K22174823		1-	A	F1
C 1117	CHIP CAP.	15pF	50V	CH	GRM1882C1H150JA01D	K22174215		1-	A	F1
C 1118	AL.ELECTRO.CAP.	10uF	35V		ECEV1VA100WR	K48160004		1-	A	F1
C 1119	CHIP CAP.	0.01uF	50V	B	GRM188B11H103KA01D	K22174823		1-	A	F1
C 1120	CHIP CAP.	0.001uF	50V	B	GRM188B11H102KA01D	K22174821		1-	A	F1
C 1122	CHIP CAP.	0.001uF	50V	B	GRM188B11H102KA01D	K22174821		1-	A	F1
C 1123	CHIP CAP.	0.01uF	50V	B	GRM188B11H103KA01D	K22174823		1-	A	F1
C 1124	CHIP CAP.	0.01uF	50V	B	GRM188B11H103KA01D	K22174823		1-	A	F1
C 1125	CHIP CAP.	0.01uF	50V	B	GRM188B11H103KA01D	K22174823		1-	A	F1
C 1126	CHIP CAP.	0.1uF	16V	B	GRM188B11C104KA01D	K22124805		1-	A	F1
C 1127	AL.ELECTRO.CAP.	10uF	35V		ECEV1VA100WR	K48160004		1-	A	F2
C 1128	CHIP CAP.	0.047uF	16V	B	GRM39B473K16PT	K22124804		1-	A	E1
C 1129	CHIP CAP.	0.001uF	50V	B	GRM188B11H102KA01D	K22174821		1-	A	E1
C 1130	CHIP CAP.	0.047uF	16V	B	GRM39B473K16PT	K22124804		1-	A	F1
C 1131	CHIP CAP.	0.047uF	16V	B	GRM39B473K16PT	K22124804		1-	A	F1
C 1132	CHIP CAP.	0.047uF	16V	B	GRM39B473K16PT	K22124804		1-	A	F1
C 1133	CHIP CAP.	0.047uF	16V	B	GRM39B473K16PT	K22124804		1-	A	F1
C 1134	CHIP CAP.	15pF	50V	CH	GRM1882C1H150JA01D	K22174215		1-	A	F1
C 1135	AL.ELECTRO.CAP.	10uF	35V		ECEV1VA100WR	K48160004		1-	A	F1
C 1136	CHIP CAP.	0.01uF	50V	B	GRM188B11H103KA01D	K22174823		1-	A	F1
C 1137	CHIP CAP.	0.001uF	50V	B	GRM188B11H102KA01D	K22174821		1-	A	F1
C 1139	CHIP CAP.	0.001uF	50V	B	GRM188B11H102KA01D	K22174821		1-	A	F2
C 1140	CHIP CAP.	0.01uF	50V	B	GRM188B11H103KA01D	K22174823		1-	A	F2
C 1141	CHIP CAP.	0.01uF	50V	B	GRM188B11H103KA01D	K22174823		1-	A	F2
C 1142	CHIP CAP.	0.047uF	16V	B	GRM39B473K16PT	K22124804		1-	A	E2
C 1143	CHIP CAP.	0.1uF	16V	B	GRM188B11C104KA01D	K22124805		1-	A	E2
C 1144	CHIP CAP.	0.01uF	50V	B	GRM188B11H103KA01D	K22174823		1-	A	E2
C 1145	CHIP CAP.	0.1uF	16V	B	GRM188B11C104KA01D	K22124805		1-	A	E2
C 1146	CHIP CAP.	0.047uF	16V	B	GRM39B473K16PT	K22124804		1-	A	F2
C 1147	CHIP CAP.	0.047uF	16V	B	GRM39B473K16PT	K22124804		1-	A	F2
C 1148	CHIP CAP.	0.047uF	16V	B	GRM39B473K16PT	K22124804		1-	A	F2
C 1149	CHIP CAP.	0.047uF	16V	B	GRM39B473K16PT	K22124804		1-	A	F2

# RX-1 Unit

## Parts List

REF	DESCRIPTION	VALUE	V/W	TOL.	MFR'S DESIG	VXSTD P/N	VERS.	LOT	SIDE	LAY ADR
C 1150	CHIP CAP.	18pF	50V	CH		K22174217		1-	A	F3
C 1151	AL.ELECTRO.CAP.	10uF	35V		ECEV1VA100WR	K48160004		1-	A	F3
C 1152	CHIP CAP.	0.01uF	50V	B	GRM188B11H103KA01D	K22174823		1-	A	F3
C 1153	CHIP CAP.	0.001uF	50V	B	GRM188B11H102KA01D	K22174821		1-	A	F3
C 1154	CHIP CAP.	0.001uF	50V	B	GRM188B11H102KA01D	K22174821		1-	A	F2
C 1155	CHIP CAP.	0.01uF	50V	B	GRM188B11H103KA01D	K22174823		1-	A	F2
C 1163	CHIP CAP.	10pF	50V	CH	GRM1882C1H100JA01D	K22174211		1-	A	H1
C 1164	CHIP CAP.	0.01uF	50V	B	GRM188B11H103KA01D	K22174823		1-	A	H1
C 1166	CHIP CAP.	33pF	50V	CH	GRM1882C1H330JA01D	K22174223		1-	A	H1
C 1167	CHIP CAP.	0.01uF	50V	B	GRM188B11H103KA01D	K22174823		1-	A	H1
C 1169	CHIP CAP.	68pF	50V	CH	GRM1882C1H680JA01D	K22174231		1-	A	H1
C 1170	CHIP CAP.	0.01uF	50V	B	GRM188B11H103KA01D	K22174823		1-	A	H1
C 1171	CHIP CAP.	0.01uF	50V	B	GRM188B11H103KA01D	K22174823		1-	A	H2
C 1172	CHIP CAP.	33pF	50V	CH	GRM1882C1H330JA01D	K22174223		1-	A	H2
C 1173	CHIP CAP.	0.01uF	50V	B	GRM188B11H103KA01D	K22174823		1-	A	H2
C 1174	CHIP CAP.	0.01uF	50V	B	GRM188B11H103KA01D	K22174823		1-	A	H2
C 1175	CHIP CAP.	0.01uF	50V	B	GRM188B11H103KA01D	K22174823		1-	A	H2
C 1176	CHIP CAP.	0.01uF	50V	B	GRM188B11H103KA01D	K22174823		1-	A	H2
C 1177	CHIP CAP.	0.01uF	50V	B	GRM188B11H103KA01D	K22174823		1-	A	H2
C 1178	CHIP CAP.	10pF	50V	CH	GRM1882C1H100JA01D	K22174211		1-	A	G2
C 1179	CHIP TA.CAP.	1uF	16V		TESVA1C105M1-8R	K78120009		1-	A	G2
C 1180	CHIP CAP.	0.01uF	50V	B	GRM188B11H103KA01D	K22174823		1-	A	G2
C 1181	AL.ELECTRO.CAP.	10uF	35V		ECEV1VA100WR	K48160004		1-	A	G3
C 1182	CHIP CAP.	0.01uF	50V	B	GRM188B11H103KA01D	K22174823		1-	A	G2
C 1183	AL.ELECTRO.CAP.	10uF	35V		ECEV1VA100WR	K48160004		1-	A	G2
C 1184	CHIP CAP.	0.01uF	50V	B	GRM188B11H103KA01D	K22174823		1-	A	G2
C 1185	CHIP CAP.	0.01uF	50V	B	GRM188B11H103KA01D	K22174823		1-	A	G2
C 1186	CHIP CAP.	0.01uF	50V	B	GRM188B11H103KA01D	K22174823		1-	A	G2
C 1187	CHIP CAP.	330pF	50V	CH	GRM1882C1H331JA01D	K22174253		1-	A	G2
C 1188	CHIP CAP.	0.01uF	50V	B	GRM188B11H103KA01D	K22174823		1		
C 1189	CHIP CAP.	0.01uF	50V	B	GRM188B11H103KA01D	K22174823		1-	A	G2
C 1190	CHIP CAP.	0.01uF	50V	B	GRM188B11H103KA01D	K22174823		1-	A	G2
C 1191	CHIP CAP.	0.01uF	50V	B	GRM188B11H103KA01D	K22174823		1-	A	G3
C 1192	CHIP CAP.	0.01uF	50V	B	GRM188B11H103KA01D	K22174823		1-	A	G3
C 1193	CHIP CAP.	0.01uF	50V	B	GRM188B11H103KA01D	K22174823		1-	A	G3
C 1194	CHIP CAP.	0.01uF	50V	B	GRM188B11H103KA01D	K22174823		1-	A	G3
C 1195	CHIP CAP.	0.01uF	50V	B	GRM188B11H103KA01D	K22174823		1-	A	G3
C 1196	CHIP CAP.	180pF	50V	CH	GRM1882C1H181JA01D	K22174241		1-	A	F3
C 1197	CHIP CAP.	0.01uF	50V	B	GRM188B11H103KA01D	K22174823		1-	A	F3
C 1198	CHIP CAP.	0.01uF	50V	B	GRM188B11H103KA01D	K22174823		1-	A	G3
C 1199	CHIP CAP.	0.01uF	50V	B	GRM188B11H103KA01D	K22174823		1-	A	F4
C 1200	CHIP CAP.	0.01uF	50V	B	GRM188B11H103KA01D	K22174823		1-	A	F4
C 1204	CHIP CAP.	0.01uF	50V	B	GRM188B11H103KA01D	K22174823		1-	A	E4
C 1205	CHIP CAP.	0.047uF	16V	B	GRM39B473K16PT	K22124804		1-	A	B1
C 1206	CHIP CAP.	0.047uF	16V	B	GRM39B473K16PT	K22124804		1-	A	A1
C 1210	CHIP CAP.	0.047uF	16V	B	GRM39B473K16PT	K22124804		1-	A	G5
C 1211	CHIP TA.CAP.	1uF	16V		TESVA1C105M1-8R	K78120009		1-	A	G5
C 1212	CHIP CAP.	100pF	50V	CH	GRM1882C1H101JA01D	K22174235		1-	A	G5
C 1213	CHIP CAP.	0.047uF	16V	B	GRM39B473K16PT	K22124804		1-	A	G5
C 1214	CHIP CAP.	0.047uF	16V	B	GRM39B473K16PT	K22124804		1-	A	G5
C 1215	CHIP CAP.	0.047uF	16V	B	GRM39B473K16PT	K22124804		1-	A	G5
C 1216	CHIP CAP.	470pF	50V	CH	GRM1882C1H471JA01D	K22174249		1-	A	G5
C 1217	CHIP CAP.	0.047uF	16V	B	GRM39B473K16PT	K22124804		1-	A	G6
C 1218	CHIP CAP.	0.047uF	16V	B	GRM39B473K16PT	K22124804		1-	A	G6
C 1219	CHIP CAP.	0.047uF	16V	B	GRM39B473K16PT	K22124804		1-	A	G6
C 1220	CHIP CAP.	470pF	50V	CH	GRM1882C1H471JA01D	K22174249		1-	A	G6
C 1221	CHIP CAP.	0.047uF	16V	B	GRM39B473K16PT	K22124804		1-	A	G6
C 1222	CHIP CAP.	470pF	50V	CH	GRM1882C1H471JA01D	K22174249		1-	A	G6
C 1223	AL.ELECTRO.CAP.	1uF	50V		ECEV1HA010SR	K48170019		1-	A	F6
C 1224	CHIP CAP.	0.001uF	50V	B	GRM188B11H102KA01D	K22174821		1-	A	G6
C 1225	CHIP CAP.	0.001uF	50V	B	GRM188B11H102KA01D	K22174821		1-	A	G6
C 1226	CHIP CAP.	0.047uF	16V	B	GRM39B473K16PT	K22124804		1	A	F6
C 1227	CHIP CAP.	0.01uF	50V	B	GRM188B11H103KA01D	K22174823		1-	A	F6
C 1228	CHIP CAP.	0.01uF	50V	B	GRM188B11H103KA01D	K22174823		1-	A	H4
C 1229	CHIP CAP.	0.01uF	50V	B	GRM188B11H103KA01D	K22174823		1-	A	H4
C 1230	CHIP CAP.	0.01uF	50V	B	GRM188B11H103KA01D	K22174823		1-	A	H4
C 1232	CHIP CAP.	0.01uF	50V	B	GRM188B11H103KA01D	K22174823		1-	A	H4
C 1233	CHIP CAP.	0.01uF	50V	B	GRM188B11H103KA01D	K22174823		1-	A	H4
C 1234	CHIP CAP.	0.01uF	50V	B	GRM188B11H103KA01D	K22174823		1-	A	G4
C 1235	CHIP CAP.	0.01uF	50V	B	GRM188B11H103KA01D	K22174823		1-	A	G4
C 1236	CHIP CAP.	0.047uF	16V	B	GRM39B473K16PT	K22124804		1-	A	G4
C 1237	CHIP CAP.	0.01uF	50V	B	GRM188B11H103KA01D	K22174823		1-	A	G4
C 1238	CHIP CAP.	0.047uF	16V	B	GRM39B473K16PT	K22124804		1-	A	G4

# RX-1 Unit

## Parts List

REF	DESCRIPTION	VALUE	V/W	TOL.	MFR'S DESIG	VXSTD P/N	VERS.	LOT	SIDE	LAY ADR
C 1239	CHIP CAP.	0.047uF	16V	B	GRM39B473K16PT	K22124804		1-	A	G5
C 1240	CHIP CAP.	0.047uF	16V	B	GRM39B473K16PT	K22124804		1-	A	G5
C 1241	CHIP CAP.	0.047uF	16V	B	GRM39B473K16PT	K22124804		1-	A	F5
C 1242	CHIP CAP.	0.047uF	16V	B	GRM39B473K16PT	K22124804		1-	A	F5
C 1255	CHIP CAP.	680pF	25V	CH	GRM39CH681J25PT	K22144203		1-	A	E6
C 1256	CHIP CAP.	0.047uF	16V	B	GRM39B473K16PT	K22124804		1-	A	E6
C 1257	AL.ELECTRO.CAP.	10uF	35V		ECEV1VA100WR	K48160004		1-	A	E6
C 1258	CHIP CAP.	150pF	50V	CH	GRM1882C1H151JA01D	K22174239		1-	A	E6
C 1261	CHIP CAP.	68pF	50V	CH	GRM1882C1H680JA01D	K22174231		1-	A	E6
C 1263	CHIP CAP.	0.1uF	16V	B	GRM188B11C104KA01D	K22124805		1-	A	A4
C 1264	CHIP CAP.	5pF	50V	CH	GRM1882C1H5R0CZ01D	K22174206		1-	A	H4
C 1265	CHIP CAP.	0.01uF	50V	B	GRM188B11H103KA01D	K22174823		1-	A	G1
C 1266	CHIP CAP.	0.01uF	50V	B	GRM188B11H103KA01D	K22174823		1-	A	G1
C 1267	CHIP CAP.	0.01uF	50V	B	GRM188B11H103KA01D	K22174823		1-	A	G1
C 1268	CHIP CAP.	0.01uF	50V	B	GRM188B11H103KA01D	K22174823		1-	A	G1
C 1269	CHIP CAP.	24pF	50V	CH	GRM1882C1H240JZ01D	K22174220		1-	A	G4
C 1270	CHIP CAP.	120pF	50V	CH	GRM1882C1H121JA01D	K22174237		1-	A	G4
C 1271	CHIP CAP.	0.01uF	50V	B	GRM188B11H103KA01D	K22174823		1-	A	H2
C 1272	CHIP CAP.	22pF	50V	CH	GRM1882C1H220JA01D	K22174219		1-	A	G1
C 1273	CHIP CAP.	18pF	50V	CH		K22174217		1-	A	H1
C 1274	CHIP CAP.	22pF	50V	CH	GRM1882C1H220JA01D	K22174219		1-	A	G1
C 1275	CHIP CAP.	18pF	50V	CH		K22174217		1-	A	H1
C 1276	CHIP CAP.	22pF	50V	CH	GRM1882C1H220JA01D	K22174219		1-	A	G1
C 1277	CHIP CAP.	18pF	50V	CH		K22174217		1-	A	H1
C 1278	CHIP CAP.	0.047uF	16V	B	GRM39B473K16PT	K22124804		1-	A	E5
C 1279	CHIP CAP.	0.047uF	16V	B	GRM39B473K16PT	K22124804		1-	A	E5
C 1280	CHIP CAP.	0.047uF	16V	B	GRM39B473K16PT	K22124804		1-	A	E5
C 1281	AL.ELECTRO.CAP.	10uF	35V		ECEV1VA100WR	K48160004		1-	A	E6
C 1282	CHIP CAP.	0.047uF	16V	B	GRM39B473K16PT	K22124804		1-	A	E6
C 1283	CHIP CAP.	100pF	50V	CH	GRM1882C1H101JA01D	K22174235		1-	A	E5
C 1284	CHIP CAP.	220pF	50V	CH	GRM1882C1H221JA01D	K22174243		2-	A	E5
C 1285	CHIP CAP.	100pF	50V	CH	GRM1882C1H101JA01D	K22174235		1-	A	E5
C 1286	AL.ELECTRO.CAP.	10uF	35V		ECEV1VA100WR	K48160004		1-	A	E5
C 1289	CHIP CAP.	0.1uF	16V	B	GRM188B11C104KA01D	K22124805		1-	A	F6
C 1290	AL.ELECTRO.CAP.	22uF	50V		ECEV1HA220WP	K48170018		1-	A	F6
C 1292	CHIP CAP.	0.01uF	50V	B	GRM188B11H103KA01D	K22174823		1-	A	E1
C 1293	CHIP CAP.	0.01uF	50V	B	GRM188B11H103KA01D	K22174823		1-	A	E1
C 1294	CHIP CAP.	0.01uF	50V	B	GRM188B11H103KA01D	K22174823		1-	A	E1
C 1295	CHIP CAP.	0.01uF	50V	B	GRM188B11H103KA01D	K22174823		1-	A	E1
C 1297	CHIP CAP.	0.01uF	50V	B	GRM188B11H103KA01D	K22174823		1-	A	E1
C 1297	CHIP CAP.	0.1uF	16V	B	GRM188B11C104KA01D	K22124805		4-	A	E1
C 1298	CHIP CAP.	0.01uF	50V	B	GRM188B11H103KA01D	K22174823		1-	A	E2
C 1299	CHIP CAP.	0.001uF	50V	B	GRM188B11H102KA01D	K22174821		1-	A	E2
C 1300	CHIP CAP.	0.01uF	50V	B	GRM188B11H103KA01D	K22174823		1-	A	E2
C 1301	CHIP TA.CAP.	10uF	20V		TEMSVB21D106M-8R	K78130028		1-	A	D2
C 1302	CHIP TA.CAP.	10uF	20V		TEMSVB21D106M-8R	K78130028		1-	A	C2
C 1303	CHIP TA.CAP.	10uF	20V		TEMSVB21D106M-8R	K78130028		1-	A	C2
C 1304	CHIP TA.CAP.	10uF	20V		TEMSVB21D106M-8R	K78130028		1-	A	B2
C 1305	CHIP TA.CAP.	10uF	20V		TEMSVB21D106M-8R	K78130028		1-	A	B2
C 1306	CHIP TA.CAP.	10uF	20V		TEMSVB21D106M-8R	K78130028		1-	A	B2
C 1307	CHIP CAP.	0.01uF	50V	B	GRM188B11H103KA01D	K22174823		1-	A	G3
C 1308	CHIP CAP.	5pF	50V	CH	GRM1882C1H5R0CZ01D	K22174206		1-	A	H2
C 1309	AL.ELECTRO.CAP.	220uF	16V		MVA16VC220MF80	K48120021		1-	A	G6
C 1310	CERAMIC CAP.	470pF	50V	B	UP050B471K-A-B	K28179043		1	A	G2
C 1310	CHIP CAP.	470pF	50V	B	GRM188B11H471KA01D	K22174805		2-	A	G2
C 1311	CHIP TA.CAP.	0.33uF	35V		TESVA1V334M1-8R	K78160028		1-	A	H2
C 1312	CHIP CAP.	0.01uF	50V	B	GRM188B11H103KA01D	K22174823		1-	A	E6
C 1313	CERAMIC CAP.	0.001uF	50V	B	UP050B102K-A-B	K28179001		1	A	F5
C 1313	CHIP CAP.	0.001uF	50V	B	GRM188B11H102KA01D	K22174821		2-	A	F5
C 1314	CHIP CAP.	100pF	50V	CH	GRM1882C1H101JA01D	K22174235		1-	A	H5
C 1315	TANTALUM CAP.	0.33uF	35V		DN1V33M1S	K70167334		1	A	E6
C 1315	CHIP TA.CAP.	0.33uF	35V		TESVA1V334M1-8R	K78160028		2-	A	E6
C 1316	CHIP CAP.	0.01uF	25V	B	GRM39B103M25PT	K22144802		1-	A	F6
CF1001	CERAMIC FILTER				CFWLB455KEFA-B0	H3900400		1-	A	G5
D 1001	DIODE				BAS316	G2070716		1-	A	A6
D 1002	DIODE				BAS316	G2070716		1-	A	B6
D 1003	DIODE				BAS316	G2070716		1-	A	C6
D 1004	DIODE				BAS316	G2070716		1-	A	D6
D 1005	DIODE				BAS316	G2070716		1-	A	C6
D 1006	DIODE				BAS316	G2070716		1-	A	A4
D 1007	DIODE				RLS245 TE-11	G2070834		1-	A	B3
D 1008	DIODE				RLS245 TE-11	G2070834		1-	A	B3
D 1009	DIODE				RLS245 TE-11	G2070834		1-	A	B3



# RX-1 Unit

## Parts List

REF	DESCRIPTION	VALUE	V/W	TOL.	MFR'S DESIG	VXSTD P/N	VERS.	LOT	SIDE	LAY ADR
D 1010	DIODE				RLS245 TE-11	G2070834		1-	A	B3
D 1011	DIODE				BAS316	G2070716		1-	A	B3
D 1012	DIODE				RN731V TE-17	G2070898		1-	A	C2
D 1013	DIODE				RN731V TE-17	G2070898		1-	A	C2
D 1014	DIODE				RN731V TE-17	G2070898		1-	A	C2
D 1015	DIODE				RN731V TE-17	G2070898		1-	A	C2
D 1016	DIODE				RN731V TE-17	G2070898		1-	A	C2
D 1017	DIODE				RN731V TE-17	G2070898		1-	A	C2
D 1018	DIODE				RN731V TE-17	G2070898		1-	A	B2
D 1019	DIODE				RN731V TE-17	G2070898		1-	A	B2
D 1020	DIODE				RN731V TE-17	G2070898		1-	A	B2
D 1021	DIODE				RN731V TE-17	G2070898		1-	A	B2
D 1022	DIODE				RN731V TE-17	G2070898		1-	A	A2
D 1023	DIODE				RN731V TE-17	G2070898		1-	A	B2
D 1024	DIODE				RN731V TE-17	G2070898		1-	A	A2
D 1025	DIODE				RN731V TE-17	G2070898		1-	A	A2
D 1026	DIODE				RN731V TE-17	G2070898		1-	A	A2
D 1027	DIODE				RN731V TE-17	G2070898		1-	A	A2
D 1028	DIODE				BAS316	G2070716		1-	A	E1
D 1029	DIODE				RN731V TE-17	G2070898		1-	A	D1
D 1030	DIODE				RN731V TE-17	G2070898		1-	A	E1
D 1031	DIODE				RN731V TE-17	G2070898		1-	A	D2
D 1032	DIODE				RN731V TE-17	G2070898		1-	A	E2
D 1033	DIODE				RN731V TE-17	G2070898		1-	A	D2
D 1034	DIODE				RN731V TE-17	G2070898		1-	A	E2
D 1036	DIODE				1SS356TW11	G2070468		1-	A	F1
D 1037	DIODE				BAS316	G2070716		1-	A	F1
D 1039	DIODE				1SS356TW11	G2070468		1-	A	G2
D 1041	DIODE				RN142S TE61	G2070994		1-	A	H1
D 1043	DIODE				RN142S TE61	G2070994		1-	A	H1
D 1045	DIODE				RN142S TE61	G2070994		1-	A	H1
D 1047	DIODE				HSM198S-TR	G2070570		1-	A	G2
D 1048	DIODE				RN731V TE-17	G2070898		1-	A	G3
D 1049	DIODE				RN731V TE-17	G2070898		1-	A	G3
D 1050	DIODE				RN731V TE-17	G2070898		1-	A	G3
D 1051	DIODE				DAN202U T106	G2070162		1-	A	G2
D 1052	DIODE				1SS226 TE85R	G2070003		1-	A	G6
D 1053	DIODE				BAS316	G2070716		1-	A	F6
D 1054	DIODE				DAN202U T106	G2070162		1-	A	F6
D 1055	DIODE				BAS316	G2070716		1-	A	F6
D 1056	DIODE				BAS316	G2070716		1-	A	F6
D 1057	DIODE				DAN202U T106	G2070162		1-	A	F6
D 1058	DIODE				RN142S TE61	G2070994		1-	A	G4
D 1059	DIODE				BAS316	G2070716		1-	A	G5
D 1060	DIODE				BAS316	G2070716		1-	A	F5
D 1061	DIODE				BAS316	G2070716		1-	A	G5
D 1062	DIODE				HSB88WSTR	G2070290		1-	A	F5
D 1063	DIODE				RD5.1UMB1-T1	G2070538		1-	A	E6
D 1064	DIODE				BAS316	G2070716		1-	A	G1
D 1065	DIODE				BAS316	G2070716		1-	A	G1
D 1066	DIODE				BAS316	G2070716		1-	A	G1
D 1067	DIODE				BAS316	G2070716		1-	A	G1
D 1068	DIODE				BAS316	G2070716		1-	A	H5
D 1069	DIODE				UDZS TE-17 9.1B	G2070868		4-	A	E1
J 1001	CONNECTOR				TMP-J01X-V6	P1090210		1-	A	A6
J 1002	CONNECTOR				TMP-J01X-V6	P1090210		1-	A	D6
J 1003	CONNECTOR				TMP-J01X-V6	P1090210		1-	A	D6
J 1004	TERMINAL				OT-007	S5000180		1-	A	B6
J 1005	CONNECTOR				IMSA-6065B-05-Z049-PT1	P0091382		1-	A	B6
J 1006	CONNECTOR				IMSA-6065B-07-Z049-PT1	P0091384		1-	A	A5
J 1007	CONNECTOR				IMSA-6065B-08-Z049-PT1	P0091385		1-	A	B4
J 1008	CONNECTOR				IMSA6065B-05-Z054-PT1	P0091411		1-	A	B3
J 1008	CONNECTOR				IMSA6065B-05-Z075-PT1	P0091416		3-	A	B3
J 1009	TERMINAL				P07	Q5000166		1-	A	A1
J 1010	TERMINAL				P07	Q5000166		1-	A	D2
J 1011	CONNECTOR				IMSA6065B-15-Z054-PT1	P0091412		1-	A	D1
J 1011	CONNECTOR				IMSA6065B-15-Z075-PT1	P0091417		3-	A	D1
J 1012	CONNECTOR				TMP-J01X-V6	P1090210		1-	A	H3
J 1013	CONNECTOR				30FLT-SM1-TB	P1091142		1-	A	H3
J 1014	CONNECTOR				TMP-J01X-V6	P1090210		1-	A	G3
J 1015	CONNECTOR				TMP-J01X-V6	P1090210		1-	A	D4
J 1016	CONNECTOR				TMP-J01X-V6	P1090210		1-	A	D5
J 1017	CONNECTOR				IMSA-6065B-06-Z049-PT1	P0091383		1-	A	D4

# RX-1 Unit

## Parts List

REF	DESCRIPTION	VALUE	V/W	TOL.	MFR'S DESIG	VXSTD P/N	VERS.	LOT	SIDE	LAY ADR
J 1018	CONNECTOR				IMSA-6065B-09-Z049-PT1	P0091386		1-	A	F4
J 1019	CONNECTOR				TMP-J01X-V6	P1090210		1-	A	H5
J 1020	CONNECTOR				TMP-J01X-V6	P1090210		1-	A	E5
J 1021	CONNECTOR				SB20-02WS	P0090609		1-	A	E6
J 1022	TERMINAL				OT-007	S5000180		1-	A	A6
J 1023	TERMINAL				OT-007	S5000180		1-	A	D4
J 1024	TERMINAL				OT-007	S5000180		1-	A	D5
J 1025	TERMINAL				OT-007	S5000180		1-	A	F4
J 1026	CONNECTOR				TMP-J01X-V6	P1090210		1-	A	D6
J 1027	CONNECTOR				TMP-J01X-V6	P1090210		1-	A	A3
JP1004	WIRE ASSY				GRN 20 2/2	T50502000		1		
JP1005	WIRE ASSY				GRN 105 2/2	T50510500		1		
JP1006	WIRE ASSY				GRN 30 2/2	T50503000		1		
JP1007	WIRE ASSY				GRN 30 2/2	T50503000		1		
JP1009	CHIP RES.	0	1/16W	5%	RMC1/16 000JATP	J24185000		2-	A	B2
JP1023	CHIP RES.	1.2k	1/16W	5%	RMC1/16 122JATP	J24185122		1		
L 1002	M.RFC	1mH			LAV35VB102J	L1790255		1-	A	A6
L 1004	M.RFC	1mH			LAV35VB102J	L1790255		1-	A	C3
L 1005	CHIP COIL	100uH			LQH32MN101K23L	L1690099		1-	A	C3
L 1006	COIL A1				5.5T5.0D0.6UEW R	L0021832A		1-	A	B3
L 1007	COIL A1				4.5T5.0D0.6UEW R	L0021831A		1-	A	C3
L 1008	COIL A1				4.5T4.0D0.6UEW R	L0021825A		1-	A	C3
L 1009	COIL A1				6.5T5.0D0.6UEW R	L0021833A		1-	A	B3
L 1010	COIL A1				8.5T6.0D0.8UEW R	L0022802		1-	A	A3
L 1011	COIL A1				8.5T6.0D0.8UEW R	L0022802		1-	A	A3
L 1012	CHIP COIL	0.12uH			C2520C-R12J	L1690545		1-	A	C2
L 1013	CHIP COIL	0.39uH			C2520C-R39J	L1690551		1-	A	C2
L 1014	CHIP COIL	0.12uH			C2520C-R12J	L1690545		1-	A	C2
L 1015	CHIP COIL	0.22uH			C2520C-R22J	L1690548		1-	A	C2
L 1016	CHIP COIL	2.2uH			C2520F-2R2K	L1690588		1-	A	C2
L 1017	CHIP COIL	0.22uH			C2520C-R22J	L1690548		1-	A	C2
L 1018	CHIP COIL	0.33uH			C2520C-R33J	L1690550		1-	A	C2
L 1019	CHIP COIL	2.7uH			C2520F-2R7K	L1690589		1-	A	C2
L 1020	CHIP COIL	0.33uH			C2520C-R33J	L1690550		1-	A	C2
L 1021	CHIP COIL	0.82uH			C2520C-R82J	L1690555		1-	A	B2
L 1022	CHIP COIL	3.3uH			C2520F-3R3K	L1690590		1-	A	B2
L 1023	CHIP COIL	0.82uH			C2520C-R82J	L1690555		1-	A	B2
L 1024	CHIP COIL	1.2uH			C2520F-1R2K	L1690585		1-	A	B2
L 1025	CHIP COIL	6.8uH			C2520F-6R8K	L1690594		1-	A	B2
L 1026	CHIP COIL	1.2uH			C2520F-1R2K	L1690585		1-	A	B2
L 1027	M.RFC	1mH			875FU-102M=P3	L1691236		1-	A	A2
L 1028	CHIP COIL	10uH			C2520F-100K	L1690596		1-	A	A2
L 1029	CHIP COIL	6.8uH			C2520F-6R8K	L1690594		1-	A	A2
L 1030	CHIP COIL	10uH			C2520F-100K	L1690596		1-	A	A2
L 1031	M.RFC	15uH			LLM3225-150J	L1691135		1-	A	A2
L 1032	M.RFC	22uH			LLM3225-220J	L1691137		1-	A	A2
L 1033	M.RFC	15uH			LLM3225-150J	L1691135		1-	A	A2
L 1034	M.RFC	1mH			875FU-102M=P3	L1691236		1-	A	A2
L 1035	M.RFC	1mH			LAV35VB102J	L1790255		1-	A	E1
L 1036	M.RFC	1mH			LAV35VB102J	L1790255		1-	A	E1
L 1038	CHIP COIL	5.6uH			LQH32MN5R6K23L	L1690084		1-	A	E2
L 1039	CHIP COIL	5.6uH			LQH32MN5R6K23L	L1690084		1-	A	E3
L 1040	CHIP COIL	10uH			LQH32MN100K23L	L1690087		1-	A	G1
L 1041	CHIP COIL	10uH			LQH32MN100K23L	L1690087		1-	A	F1
L 1042	CHIP COIL	10uH			LQH32MN100K23L	L1690087		1-	A	F3
L 1050	CHIP COIL	15uH			LQH32MN150K23L	L1690089		1-	A	H2
L 1051	CHIP COIL	10uH			LQH32MN100K23L	L1690087		1-	A	G2
L 1052	CHIP COIL	10uH			LQH32MN100K23L	L1690087		1-	A	G3
L 1053	CHIP COIL	1mH			LQH43MN102K03L	L1690108		1-	A	G6
L 1054	CHIP COIL	1mH			LQH43MN102K03L	L1690108		1-	A	F5
L 1056	CHIP COIL	100uH			LQH32MN101K23L	L1690099		1-	A	H3
L 1057	M.RFC	120uH			RCH-875 121K	L1190396		1-	A	H3
L 1058	CHIP COIL	100uH			LQH32MN101K23L	L1690099		1-	A	H3
L 1059	CHIP COIL	100uH			LQH32MN101K23L	L1690099		1-	A	H3
L 1060	CHIP COIL	100uH			LQH32MN101K23L	L1690099		1-	A	H3
L 1061	M.RFC	220uH			LLM3225-221J	L1691149		1-	A	E5
L 1062	M.RFC	220uH			LLM3225-221J	L1691149		1-	A	E5
P 1001	WIRE ASSY				GRA 300 TMP/TMP	T9318252A		1-		
Q 1001	TRANSISTOR				2SC2714YTE85R	G3327147Y		1-	A	B3
Q 1003	FET				3SK131-T2B V12	G4801317B		1-	A	E2
Q 1004	FET				SST310-T1	G4070009		1-	A	E2
Q 1005	FET				SST310-T1	G4070009		1-	A	E2
Q 1006	FET				SST310-T1	G4070009		1-	A	E2

# RX-1 Unit

## Parts List

REF	DESCRIPTION	VALUE	V/W	TOL.	MFR'S DESIG	VXSTD P/N	VERS.	LOT	SIDE	LAY ADR
Q 1007	FET				SST310-T1	G4070009		1-	A	E2
Q 1008	FET				2SK520-T2B K41	G3805207A		1-	A	F1
Q 1009	FET				2SK520-T2B K41	G3805207A		1-	A	F1
Q 1010	FET				2SK520-T2B K41	G3805207A		1-	A	F1
Q 1011	FET				2SK520-T2B K41	G3805207A		1-	A	F1
Q 1012	FET				SST310-T1	G4070009		1-	A	F1
Q 1013	FET				SST310-T1	G4070009		1-	A	F1
Q 1014	FET				SST310-T1	G4070009		1-	A	F1
Q 1015	FET				SST310-T1	G4070009		1-	A	F1
Q 1016	FET				SST310-T1	G4070009		1-	A	E2
Q 1017	FET				SST310-T1	G4070009		1-	A	F3
Q 1018	FET				SST310-T1	G4070009		1-	A	F2
Q 1019	FET				SST310-T1	G4070009		1-	A	F2
Q 1020	FET				SST310-T1	G4070009		1-	A	F2
Q 1021	FET				3SK131-T2B V12	G4801317B		1-	A	H2
Q 1022	IC				NJM2125F(TAPE)	G1093894		1-	A	G2
Q 1023	TRANSISTOR				2SC4154-T11-1E	G3341548E		1-	A	G3
Q 1024	TRANSISTOR				2SC2954-T2	G3329547		1-	A	G2
Q 1025	TRANSISTOR				2SC2954-T2	G3329547		1-	A	F3
Q 1026	IC				TA75S558F(TE85R)	G1092284		1-	A	H5
Q 1027	FET				3SK131-T2B V12	G4801317B		1-	A	G5
Q 1028	FET				3SK131-T2B V12	G4801317B		1-	A	G6
Q 1029	TRANSISTOR				2SC4154-T11-1E	G3341548E		1-	A	G6
Q 1030	TRANSISTOR				2SC4154-T11-1E	G3341548E		1-	A	G6
Q 1031	FET				2SK209GR TE85R	G3802097G		1-	A	F6
Q 1032	TRANSISTOR				2SC4154-T11-1E	G3341548E		1-	A	F6
Q 1033	TRANSISTOR				2SA1602A-T11-1F	G3116028F		1-	A	F6
Q 1034	TRANSISTOR				2SA1602A-T11-1F	G3116028F		1-	A	F6
Q 1035	TRANSISTOR				2SC4154-T11-1E	G3341548E		1-	A	F6
Q 1036	TRANSISTOR				2SC2714YTE85R	G3327147Y		1-	A	H4
Q 1037	FET				SST310-T1	G4070009		1-	A	G4
Q 1038	FET				SST310-T1	G4070009		1-	A	G4
Q 1041	IC				LMH6622MM	G1094189		1-	A	E6
Q 1042	IC				BU2505FV-E2	G1093714		1-	A	F4
Q 1043	IC				BU2099FV-E2	G1093243		1-	A	E4
Q 1044	IC				BU2099FV-E2	G1093243		1-	A	B1
Q 1045	IC				BU2099FV-E2	G1093243		1-	A	B1
Q 1046	TRANSISTOR				DTB113ZK T146	G3070103		1-	A	D1
Q 1047	TRANSISTOR				DTB113ZK T146	G3070103		1-	A	D1
Q 1048	TRANSISTOR				DTB113ZK T146	G3070103		1-	A	D1
Q 1049	TRANSISTOR				DTB113ZK T146	G3070103		1-	A	D2
Q 1050	TRANSISTOR				DTB113ZK T146	G3070103		1-	A	D1
Q 1051	TRANSISTOR				DTB113ZK T146	G3070103		1-	A	D1
Q 1052	TRANSISTOR				DTB113ZK T146	G3070103		1-	A	E4
Q 1053	TRANSISTOR				DTC123JE TL	G3070323		1-	A	A1
Q 1054	TRANSISTOR				DTC123JE TL	G3070323		1-	A	A1
Q 1055	TRANSISTOR				DTC123JE TL	G3070323		1-	A	B1
Q 1056	TRANSISTOR				DTC123JE TL	G3070323		1-	A	B1
Q 1057	TRANSISTOR				DTC123JE TL	G3070323		1-	A	C1
Q 1058	TRANSISTOR				DTC123JE TL	G3070323		1-	A	C1
Q 1059	TRANSISTOR				DTC123JE TL	G3070323		1-	A	C1
Q 1060	TRANSISTOR				DTB113ZK T146	G3070103		1-	A	A1
Q 1061	TRANSISTOR				DTB113ZK T146	G3070103		1-	A	A1
Q 1062	TRANSISTOR				DTB113ZK T146	G3070103		1-	A	A1
Q 1063	TRANSISTOR				DTB113ZK T146	G3070103		1-	A	B1
Q 1064	TRANSISTOR				DTB113ZK T146	G3070103		1-	A	B1
Q 1065	TRANSISTOR				DTB113ZK T146	G3070103		1-	A	B1
Q 1066	TRANSISTOR				DTB113ZK T146	G3070103		1-	A	B1
Q 1067	TRANSISTOR				DTB113ZK T146	G3070103		1-	A	B1
Q 1068	TRANSISTOR				DTB113ZK T146	G3070103		1-	A	B1
Q 1069	TRANSISTOR				DTB113ZK T146	G3070103		1-	A	B1
Q 1070	TRANSISTOR				DTC114EUA T106	G3070084		1	A	A4
Q 1070	TRANSISTOR				DTC123JE TL	G3070323		2-	A	A4
Q 1071	TRANSISTOR				2SC4154-T11-1E	G3341548E		1-	A	E5
Q 1072	FET				SGM2016AM-T7	G4070012		1-	A	E1
Q 1073	FET				SGM2016AM-T7	G4070012		1-	A	E1
Q 1074	FET				3SK131-T2B V12	G4801317B		1-	A	E1
Q 1075	TRANSISTOR				DTC114EUA T106	G3070084		2-	A	B4
R 1001	CHIP RES.	15	1/16W	5%	RMC1/16 150JATP	J24185150		1-	A	B6
R 1002	CHIP RES.	120	1/16W	5%	RMC1/16 121JATP	J24185121		1-	A	B6
R 1003	CHIP RES.	100	1/16W	5%	RMC1/16 101JATP	J24185101		1-	A	B6
R 1004	CHIP RES.	47	1/16W	5%	RMC1/16 470JATP	J24185470		1-	A	B6
R 1005	CHIP RES.	100	1/16W	5%	RMC1/16 101JATP	J24185101		1-	A	B6

# RX-1 Unit

## Parts List

REF	DESCRIPTION	VALUE	V/W	TOL.	MFR'S DESIG	VXSTD P/N	VERS.	LOT	SIDE	LAY ADR
R 1006	CHIP RES.	100	1/16W	5%	RMC1/16 101JATP	J24185101		1-	A	B6
R 1007	CHIP RES.	150	1/16W	5%	RMC1/16 151JATP	J24185151		1-	A	B6
R 1008	CHIP RES.	68	1/16W	5%	RMC1/16 680JATP	J24185680		1-	A	B6
R 1009	CHIP RES.	100	1/16W	5%	RMC1/16 101JATP	J24185101		1-	A	C6
R 1010	CHIP RES.	100	1/16W	5%	RMC1/16 101JATP	J24185101		1-	A	D6
R 1011	CHIP RES.	100	1/16W	5%	RMC1/16 101JATP	J24185101		1-	A	C6
R 1012	CHIP RES.	330	1/2W	5%	RMC1/2 331JCTP	J24275331		1-	A	C3
R 1013	CHIP RES.	100	1/16W	5%	RMC1/16 101JATP	J24185101		1-	A	B3
R 1014	CHIP RES.	2.2k	1/16W	5%	RMC1/16 222JATP	J24185222		1-	A	B3
R 1015	CHIP RES.	4.7k	1/16W	5%	RMC1/16 472JATP	J24185472		1-	A	B4
R 1016	CHIP RES.	4.7k	1/16W	5%	RMC1/16 472JATP	J24185472		1-	A	B4
R 1017	CHIP RES.	100	1/16W	5%	RMC1/16 101JATP	J24185101		2-	A	B3
R 1018	CHIP RES.	100	1/16W	5%	RMC1/16 101JATP	J24185101		1-	A	B3
R 1019	CHIP RES.	68	1/4W	5%	RMC1/4 680JATP	J24245680		1-	A	C2
R 1020	CHIP RES.	68	1/4W	5%	RMC1/4 680JATP	J24245680		1-	A	C2
R 1021	CHIP RES.	10k	1/16W	5%	RMC1/16 103JATP	J24185103		1-	A	D2
R 1022	CHIP RES.	68	1/4W	5%	RMC1/4 680JATP	J24245680		1-	A	C2
R 1023	CHIP RES.	68	1/4W	5%	RMC1/4 680JATP	J24245680		1-	A	C2
R 1024	CHIP RES.	10k	1/16W	5%	RMC1/16 103JATP	J24185103		1-	A	C2
R 1025	CHIP RES.	68	1/4W	5%	RMC1/4 680JATP	J24245680		1-	A	C2
R 1026	CHIP RES.	68	1/4W	5%	RMC1/4 680JATP	J24245680		1-	A	C2
R 1027	CHIP RES.	10k	1/16W	5%	RMC1/16 103JATP	J24185103		1-	A	C2
R 1028	CHIP RES.	68	1/4W	5%	RMC1/4 680JATP	J24245680		1-	A	B2
R 1029	CHIP RES.	68	1/4W	5%	RMC1/4 680JATP	J24245680		1-	A	B2
R 1030	CHIP RES.	10k	1/16W	5%	RMC1/16 103JATP	J24185103		1-	A	B2
R 1031	CHIP RES.	68	1/4W	5%	RMC1/4 680JATP	J24245680		1-	A	B2
R 1032	CHIP RES.	68	1/4W	5%	RMC1/4 680JATP	J24245680		1-	A	B2
R 1033	CHIP RES.	10k	1/16W	5%	RMC1/16 103JATP	J24185103		1-	A	B2
R 1034	CHIP RES.	27	1/16W	5%	RMC1/16 270JATP	J24185270		1-	A	A2
R 1035	CHIP RES.	33	1/16W	5%	RMC1/16 330JATP	J24185330		1-	A	A2
R 1036	CHIP RES.	27	1/16W	5%	RMC1/16 270JATP	J24185270		1-	A	A2
R 1037	CHIP RES.	68	1/4W	5%	RMC1/4 680JATP	J24245680		1-	A	B2
R 1038	CHIP RES.	68	1/4W	5%	RMC1/4 680JATP	J24245680		1-	A	A2
R 1039	CHIP RES.	10k	1/16W	5%	RMC1/16 103JATP	J24185103		1-	A	A2
R 1040	CHIP RES.	33	1/4W	5%	RMC1/4 330JATP	J24245330		1-	A	A2
R 1041	CHIP RES.	10k	1/16W	5%	RMC1/16 103JATP	J24185103		1-	A	A2
R 1042	CHIP RES.	100	1/16W	5%	RMC1/16 101JATP	J24185101		1-	A	E1
R 1043	CHIP RES.	330	1/2W	5%	RMC1/2 331JCTP	J24275331		1-	A	E1
R 1044	CHIP RES.	68	1/4W	5%	RMC1/4 680JATP	J24245680		1-	A	E1
R 1045	CHIP RES.	330	1/2W	5%	RMC1/2 331JCTP	J24275331		1-	A	D1
R 1054	CHIP RES.	68	1/4W	5%	RMC1/4 680JATP	J24245680		1-	A	E1
R 1055	CHIP RES.	330	1/2W	5%	RMC1/2 331JCTP	J24275331		1-	A	D2
R 1056	CHIP RES.	120k	1/16W	5%	RMC1/16 124JATP	J24185124		1-	A	D2
R 1058	CHIP RES.	47k	1/16W	5%	RMC1/16 473JATP	J24185473		1-	A	E2
R 1059	CHIP RES.	47	1/16W	5%	RMC1/16 470JATP	J24185470		1-	A	E2
R 1060	CHIP RES.	10k	1/16W	5%	RMC1/16 103JATP	J24185103		1-	A	E2
R 1061	CHIP RES.	100k	1/16W	5%	RMC1/16 104JATP	J24185104		1-	A	E2
R 1062	CHIP RES.	220	1/16W	5%	RMC1/16 221JATP	J24185221		1	A	E2
R 1062	CHIP RES.	100	1/16W	5%	RMC1/16 101JATP	J24185101		2-	A	E2
R 1063	CHIP RES.	100	1/16W	5%	RMC1/16 101JATP	J24185101		1-	A	E2
R 1064	CHIP RES.	68	1/4W	5%	RMC1/4 680JATP	J24245680		1-	A	E1
R 1065	CHIP RES.	330	1/2W	5%	RMC1/2 331JCTP	J24275331		1-	A	D2
R 1066	CHIP RES.	47	1/4W	5%	RMC1/4 470JATP	J24245470		1-	A	E2
R 1067	CHIP RES.	150k	1/16W	5%	RMC1/16 154JATP	J24185154		1	A	E3
R 1067	CHIP RES.	100k	1/16W	5%	RMC1/16 104JATP	J24185104		2-	A	E3
R 1068	CHIP RES.	100k	1/16W	5%	RMC1/16 104JATP	J24185104		1-	A	E3
R 1069	CHIP RES.	15	1/4W	5%	RMC1/4 150JATP	J24245150		1-	A	E2
R 1070	CHIP RES.	68	1/4W	5%	RMC1/4 680JATP	J24245680		1-	A	E3
R 1071	CHIP RES.	10k	1/16W	5%	RMC1/16 103JATP	J24185103		1-	A	E3
R 1072	CHIP RES.	330	1/2W	5%	RMC1/2 331JCTP	J24275331		1-	A	E1
R 1073	CHIP RES.	680	1/16W	5%	RMC1/16 681JATP	J24185681		1-	A	F1
R 1074	CHIP RES.	680	1/16W	5%	RMC1/16 681JATP	J24185681		1-	A	F1
R 1075	CHIP RES.	680	1/16W	5%	RMC1/16 681JATP	J24185681		1-	A	F1
R 1076	CHIP RES.	680	1/16W	5%	RMC1/16 681JATP	J24185681		1-	A	F1
R 1077	CHIP RES.	10	1/16W	5%	RMC1/16 100JATP	J24185100		1-	A	F1
R 1078	CHIP RES.	10	1/16W	5%	RMC1/16 100JATP	J24185100		1-	A	F1
R 1079	CHIP RES.	10	1/16W	5%	RMC1/16 100JATP	J24185100		1-	A	F1
R 1080	CHIP RES.	10	1/16W	5%	RMC1/16 100JATP	J24185100		1-	A	F1
R 1083	CHIP RES.	100	1/16W	5%	RMC1/16 101JATP	J24185101		1-	A	F1
R 1084	CHIP RES.	100k	1/16W	5%	RMC1/16 104JATP	J24185104		1-	A	F1
R 1085	CHIP RES.	150k	1/16W	5%	RMC1/16 154JATP	J24185154		1-	A	F1
R 1086	CHIP RES.	100	1/16W	5%	RMC1/16 101JATP	J24185101		1-	A	F1
R 1087	CHIP RES.	330	1/2W	5%	RMC1/2 331JCTP	J24275331		1-	A	E2

# RX-1 Unit

## Parts List

REF	DESCRIPTION	VALUE	V/W	TOL.	MFR'S DESIG	VXSTD P/N	VERS.	LOT	SIDE	LAY ADR
R 1088	CHIP RES.	330	1/16W	5%	RMC1/16 331JATP	J24185331		1-	A	F1
R 1089	CHIP RES.	330	1/16W	5%	RMC1/16 331JATP	J24185331		1-	A	F1
R 1090	CHIP RES.	330	1/16W	5%	RMC1/16 331JATP	J24185331		1-	A	F1
R 1091	CHIP RES.	330	1/16W	5%	RMC1/16 331JATP	J24185331		1-	A	F1
R 1092	CHIP RES.	0	1/16W	5%	RMC1/16 000JATP	J24185000		1-	A	F2
R 1093	CHIP RES.	0	1/16W	5%	RMC1/16 000JATP	J24185000		1-	A	F1
R 1094	CHIP RES.	0	1/16W	5%	RMC1/16 000JATP	J24185000		1-	A	F1
R 1095	CHIP RES.	0	1/16W	5%	RMC1/16 000JATP	J24185000		1-	A	F1
R 1096	CHIP RES.	10	1/16W	5%	RMC1/16 100JATP	J24185100		1-	A	F1
R 1097	CHIP RES.	10	1/16W	5%	RMC1/16 100JATP	J24185100		1-	A	F1
R 1098	CHIP RES.	10	1/16W	5%	RMC1/16 100JATP	J24185100		1-	A	F1
R 1099	CHIP RES.	10	1/16W	5%	RMC1/16 100JATP	J24185100		1-	A	F1
R 1102	CHIP RES.	100	1/16W	5%	RMC1/16 101JATP	J24185101		1-	A	F2
R 1103	CHIP RES.	100k	1/16W	5%	RMC1/16 104JATP	J24185104		1-	A	F2
R 1104	CHIP RES.	150k	1/16W	5%	RMC1/16 154JATP	J24185154		1-	A	F2
R 1105	CHIP RES.	0	1/16W	5%	RMC1/16 000JATP	J24185000		1-	A	E2
R 1106	CHIP RES.	100k	1/16W	5%	RMC1/16 104JATP	J24185104		1-	A	E2
R 1107	CHIP RES.	47	1/16W	5%	RMC1/16 470JATP	J24185470		1-	A	E2
R 1108	CHIP RES.	100	1/16W	5%	RMC1/16 101JATP	J24185101		1-	A	E2
R 1109	CHIP RES.	680	1/16W	5%	RMC1/16 681JATP	J24185681		1-	A	F2
R 1110	CHIP RES.	680	1/16W	5%	RMC1/16 681JATP	J24185681		1-	A	F2
R 1111	CHIP RES.	680	1/16W	5%	RMC1/16 681JATP	J24185681		1-	A	F2
R 1112	CHIP RES.	680	1/16W	5%	RMC1/16 681JATP	J24185681		1-	A	F2
R 1113	CHIP RES.	10	1/16W	5%	RMC1/16 100JATP	J24185100		1-	A	F2
R 1114	CHIP RES.	10	1/16W	5%	RMC1/16 100JATP	J24185100		1-	A	F2
R 1115	CHIP RES.	10	1/16W	5%	RMC1/16 100JATP	J24185100		1-	A	F2
R 1116	CHIP RES.	10	1/16W	5%	RMC1/16 100JATP	J24185100		1-	A	F2
R 1118	CHIP RES.	150k	1/16W	5%	RMC1/16 154JATP	J24185154		1-	A	F2
R 1119	CHIP RES.	100k	1/16W	5%	RMC1/16 104JATP	J24185104		1-	A	F2
R 1121	CHIP RES.	470	1/16W	5%	RMC1/16 471JATP	J24185471		1-	A	H1
R 1122	CHIP RES.	470	1/16W	5%	RMC1/16 471JATP	J24185471		1-	A	H1
R 1123	CHIP RES.	470	1/16W	5%	RMC1/16 471JATP	J24185471		1-	A	H1
R 1124	CHIP RES.	470	1/16W	5%	RMC1/16 471JATP	J24185471		1-	A	H2
R 1125	CHIP RES.	10k	1/16W	5%	RMC1/16 103JATP	J24185103		1-	A	H2
R 1126	CHIP RES.	100k	1/16W	5%	RMC1/16 104JATP	J24185104		1-	A	H2
R 1127	CHIP RES.	100k	1/16W	5%	RMC1/16 104JATP	J24185104		1-	A	H2
R 1128	CHIP RES.	47	1/16W	5%	RMC1/16 470JATP	J24185470		1	A	H2
R 1128	CHIP RES.	0	1/16W	5%	RMC1/16 000JATP	J24185000		2-	A	H2
R 1129	CHIP RES.	470k	1/16W	5%	RMC1/16 474JATP	J24185474		1-	A	H2
R 1130	CHIP RES.	150	1/16W	5%	RMC1/16 151JATP	J24185151		1-	A	H2
R 1131	CHIP RES.	4.7k	1/16W	5%	RMC1/16 472JATP	J24185472		1-	A	H2
R 1132	CHIP RES.	100	1/16W	5%	RMC1/16 101JATP	J24185101		1-	A	H2
R 1133	CHIP RES.	100	1/16W	5%	RMC1/16 101JATP	J24185101		1-	A	H2
R 1134	CHIP RES.	3.3k	1/16W	5%	RMC1/16 332JATP	J24185332		1-	A	G2
R 1135	CHIP RES.	1k	1/16W	5%	RMC1/16 102JATP	J24185102		1-	A	G2
R 1136	CHIP RES.	10k	1/16W	5%	RMC1/16 103JATP	J24185103		1-	A	G2
R 1137	CHIP RES.	100	1/16W	5%	RMC1/16 101JATP	J24185101		1-	A	G2
R 1138	CHIP RES.	33k	1/16W	5%	RMC1/16 333JATP	J24185333		1-	A	G3
R 1139	CHIP RES.	1k	1/16W	5%	RMC1/16 102JATP	J24185102		1-	A	G2
R 1140	CHIP RES.	10	1/16W	5%	RMC1/16 100JATP	J24185100		1-	A	G2
R 1141	CHIP RES.	68	1/10W	5%	RMC1/10T 680J	J24205680		1-	A	G2
R 1142	CHIP RES.	100	1/4W	5%	RMC1/4 101JATP	J24245101		1	A	G2
R 1143	CHIP RES.	1k	1/16W	5%	RMC1/16 102JATP	J24185102		1-	A	G2
R 1144	CHIP RES.	470	1/16W	5%	RMC1/16 471JATP	J24185471		1	A	G2
R 1144	CHIP RES.	330	1/16W	5%	RMC1/16 331JATP	J24185331		2-	A	G2
R 1145	CHIP RES.	3.3k	1/16W	5%	RMC1/16 332JATP	J24185332		1-	A	G2
R 1146	CHIP RES.	0	1/16W	5%	RMC1/16 000JATP	J24185000		1-	A	G3
R 1148	CHIP RES.	22	1/16W	5%	RMC1/16 220JATP	J24185220		1-	A	G3
R 1149	CHIP RES.	3.3k	1/16W	5%	RMC1/16 332JATP	J24185332		1-	A	G2
R 1150	CHIP RES.	1k	1/16W	5%	RMC1/16 102JATP	J24185102		1-	A	G2
R 1151	CHIP RES.	3.3k	1/16W	5%	RMC1/16 332JATP	J24185332		1-	A	G2
R 1152	CHIP RES.	0	1/16W	5%	RMC1/16 000JATP	J24185000		1-	A	G2
R 1153	CHIP RES.	47	1/16W	5%	RMC1/16 470JATP	J24185470		1-	A	G3
R 1154	CHIP RES.	33	1/16W	5%	RMC1/16 330JATP	J24185330		1-	A	G3
R 1155	CHIP RES.	33	1/16W	5%	RMC1/16 330JATP	J24185330		1-	A	G3
R 1156	CHIP RES.	330	1/16W	5%	RMC1/16 331JATP	J24185331		1-	A	G3
R 1157	CHIP RES.	1k	1/16W	5%	RMC1/16 102JATP	J24185102		1-	A	G3
R 1158	CHIP RES.	68	1/10W	5%	RMC1/10T 680J	J24205680		1-	A	F3
R 1159	CHIP RES.	100	1/4W	5%	RMC1/4 101JATP	J24245101		1-	A	F3
R 1160	CHIP RES.	10	1/16W	5%	RMC1/16 100JATP	J24185100		1-	A	G3
R 1162	CHIP RES.	470k	1/16W	5%	RMC1/16 474JATP	J24185474		1-	A	H5
R 1166	CHIP RES.	0	1/16W	5%	RMC1/16 000JATP	J24185000		1-	A	F4
R 1167	CHIP RES.	0	1/16W	5%	RMC1/16 000JATP	J24185000		1-	A	F4

# RX-1 Unit

## Parts List

REF	DESCRIPTION	VALUE	V/W	TOL.	MFR'S DESIG	VXSTD P/N	VERS.	LOT	SIDE	LAY ADR
R 1168	CHIP RES.	0	1/16W	5%	RMC1/16 000JATP	J24185000		1-	A	F4
R 1169	CHIP RES.	0	1/16W	5%	RMC1/16 000JATP	J24185000		1-	A	F4
R 1170	CHIP RES.	100k	1/16W	5%	RMC1/16 104JATP	J24185104		1-	A	E4
R 1171	CHIP RES.	0	1/16W	5%	RMC1/16 000JATP	J24185000		1-	A	A1
R 1172	CHIP RES.	0	1/16W	5%	RMC1/16 000JATP	J24185000		1-	A	E4
R 1173	CHIP RES.	0	1/16W	5%	RMC1/16 000JATP	J24185000		1-	A	E4
R 1174	CHIP RES.	100k	1/16W	5%	RMC1/16 104JATP	J24185104		1-	A	A1
R 1175	CHIP RES.	100k	1/16W	5%	RMC1/16 104JATP	J24185104		1-	A	E4
R 1176	CHIP RES.	100k	1/16W	5%	RMC1/16 104JATP	J24185104		1-	A	E4
R 1177	CHIP RES.	1k	1/16W	5%	RMC1/16 102JATP	J24185102		1-	A	G5
R 1178	CHIP RES.	100k	1/16W	5%	RMC1/16 104JATP	J24185104		1-	A	G5
R 1179	CHIP RES.	330k	1/16W	5%	RMC1/16 334JATP	J24185334		1-	A	G5
R 1180	CHIP RES.	1k	1/16W	5%	RMC1/16 102JATP	J24185102		1-	A	G5
R 1181	CHIP RES.	150k	1/16W	5%	RMC1/16 154JATP	J24185154		1-	A	G5
R 1182	CHIP RES.	10k	1/16W	5%	RMC1/16 103JATP	J24185103		1-	A	G5
R 1183	CHIP RES.	220	1/16W	5%	RMC1/16 221JATP	J24185221		1-	A	G5
R 1184	CHIP RES.	10k	1/16W	5%	RMC1/16 103JATP	J24185103		1-	A	G5
R 1185	CHIP RES.	100	1/16W	5%	RMC1/16 101JATP	J24185101		1-	A	H5
R 1186	CHIP RES.	10k	1/16W	5%	RMC1/16 103JATP	J24185103		1-	A	G5
R 1187	CHIP RES.	150k	1/16W	5%	RMC1/16 154JATP	J24185154		1-	A	G5
R 1188	CHIP RES.	1k	1/16W	5%	RMC1/16 102JATP	J24185102		1-	A	G5
R 1189	CHIP RES.	220	1/16W	5%	RMC1/16 221JATP	J24185221		1-	A	G6
R 1190	CHIP RES.	10k	1/16W	5%	RMC1/16 103JATP	J24185103		1-	A	G6
R 1191	CHIP RES.	100	1/16W	5%	RMC1/16 101JATP	J24185101		1-	A	H6
R 1192	CHIP RES.	100k	1/16W	5%	RMC1/16 104JATP	J24185104		1-	A	G6
R 1193	CHIP RES.	100	1/16W	5%	RMC1/16 101JATP	J24185101		1-	A	G6
R 1194	CHIP RES.	1k	1/16W	5%	RMC1/16 102JATP	J24185102		1-	A	G6
R 1195	CHIP RES.	68k	1/16W	5%	RMC1/16 683JATP	J24185683		1-	A	F6
R 1196	CHIP RES.	47k	1/16W	5%	RMC1/16 473JATP	J24185473		1-	A	F6
R 1197	CHIP RES.	150k	1/16W	5%	RMC1/16 154JATP	J24185154		1-	A	G6
R 1198	CHIP RES.	68k	1/16W	5%	RMC1/16 683JATP	J24185683		1-	A	G6
R 1199	CHIP RES.	100k	1/16W	5%	RMC1/16 104JATP	J24185104		1-	A	F6
R 1200	CHIP RES.	1k	1/16W	5%	RMC1/16 102JATP	J24185102		1	A	F6
R 1200	CHIP RES.	150k	1/16W	5%	RMC1/16 154JATP	J24185154		2-	A	F6
R 1201	CHIP RES.	330	1/16W	5%	RMC1/16 331JATP	J24185331		1	A	F6
R 1201	CHIP RES.	22k	1/16W	5%	RMC1/16 223JATP	J24185223		2-	A	F6
R 1202	CHIP RES.	10k	1/16W	5%	RMC1/16 103JATP	J24185103		1	A	F6
R 1202	CHIP RES.	150k	1/16W	5%	RMC1/16 154JATP	J24185154		2-	A	F6
R 1203	CHIP RES.	1k	1/16W	5%	RMC1/16 102JATP	J24185102		1	A	F6
R 1203	CHIP RES.	22k	1/16W	5%	RMC1/16 223JATP	J24185223		2-	A	F6
R 1204	CHIP RES.	10k	1/16W	5%	RMC1/16 103JATP	J24185103		1-	A	F6
R 1205	CHIP RES.	100k	1/16W	5%	RMC1/16 104JATP	J24185104		1-	A	F6
R 1206	CHIP RES.	100k	1/16W	5%	RMC1/16 104JATP	J24185104		1-	A	F6
R 1207	CHIP RES.	10k	1/16W	5%	RMC1/16 103JATP	J24185103		1-	A	F6
R 1209	CHIP RES.	33k	1/16W	5%	RMC1/16 333JATP	J24185333		1-	A	H4
R 1210	CHIP RES.	10k	1/16W	5%	RMC1/16 103JATP	J24185103		1-	A	H4
R 1211	CHIP RES.	470	1/16W	5%	RMC1/16 471JATP	J24185471		1-	A	H4
R 1212	CHIP RES.	100	1/16W	5%	RMC1/16 101JATP	J24185101		1-	A	H4
R 1214	CHIP RES.	470	1/16W	5%	RMC1/16 471JATP	J24185471		1-	A	G4
R 1215	CHIP RES.	470	1/16W	5%	RMC1/16 471JATP	J24185471		1-	A	H4
R 1216	CHIP RES.	100k	1/16W	5%	RMC1/16 104JATP	J24185104		1-	A	G4
R 1217	CHIP RES.	150k	1/16W	5%	RMC1/16 154JATP	J24185154		1-	A	G4
R 1218	CHIP RES.	470	1/16W	5%	RMC1/16 471JATP	J24185471		1-	A	G4
R 1219	CHIP RES.	470	1/16W	5%	RMC1/16 471JATP	J24185471		1-	A	G4
R 1220	CHIP RES.	100	1/16W	5%	RMC1/16 101JATP	J24185101		1-	A	H4
R 1221	CHIP RES.	470	1/16W	5%	RMC1/16 471JATP	J24185471		1-	A	G5
R 1222	CHIP RES.	560	1/16W	5%	RMC1/16 561JATP	J24185561		1-	A	G5
R 1223	CHIP RES.	2.2k	1/16W	5%	RMC1/16 222JATP	J24185222		1-	A	G5
R 1224	CHIP RES.	4.7k	1/16W	5%	RMC1/16 472JATP	J24185472		1-	A	F5
R 1225	CHIP RES.	1k	1/16W	5%	RMC1/16 102JATP	J24185102		1-	A	F5
R 1237	CHIP RES.	10k	1/16W	5%	RMC1/16 103JATP	J24185103		1-	A	E5
R 1238	CHIP RES.	10k	1/16W	5%	RMC1/16 103JATP	J24185103		1-	A	E6
R 1239	CHIP RES.	22	1/16W	5%	RMC1/16 220JATP	J24185220		1-	A	E6
R 1241	CHIP RES.	10k	1/16W	5%	RMC1/16 103JATP	J24185103		1-	A	E6
R 1244	CHIP RES.	68k	1/16W	5%	RMC1/16 683JATP	J24185683		1-	A	E6
R 1246	CHIP RES.	10k	1/16W	5%	RMC1/16 103JATP	J24185103		1-	A	A1
R 1247	CHIP RES.	10k	1/16W	5%	RMC1/16 103JATP	J24185103		1-	A	A1
R 1248	CHIP RES.	10k	1/16W	5%	RMC1/16 103JATP	J24185103		1-	A	A1
R 1249	CHIP RES.	10k	1/16W	5%	RMC1/16 103JATP	J24185103		1-	A	B1
R 1250	CHIP RES.	10k	1/16W	5%	RMC1/16 103JATP	J24185103		1-	A	B1
R 1251	CHIP RES.	10k	1/16W	5%	RMC1/16 103JATP	J24185103		1-	A	B1
R 1252	CHIP RES.	10k	1/16W	5%	RMC1/16 103JATP	J24185103		1-	A	B1
R 1253	CHIP RES.	10k	1/16W	5%	RMC1/16 103JATP	J24185103		1-	A	B1

# RX-1 Unit

## Parts List

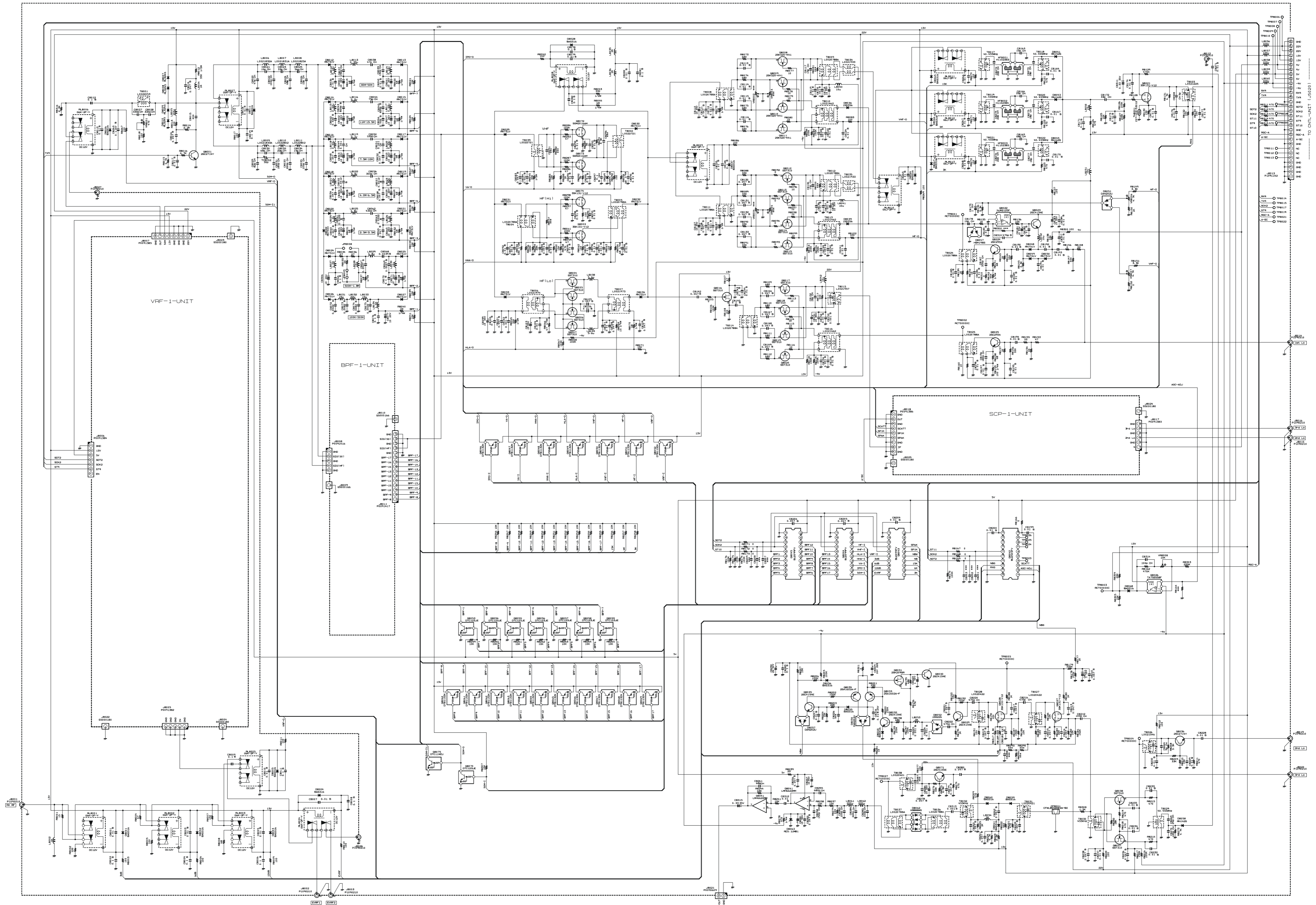
REF	DESCRIPTION	VALUE	V/W	TOL.	MFR'S DESIG	VXSTD P/N	VERS.	LOT	SIDE	LAY ADR
R 1254	CHIP RES.	10k	1/16W	5%	RMC1/16 103JATP	J24185103		1-	A	B1
R 1255	CHIP RES.	10k	1/16W	5%	RMC1/16 103JATP	J24185103		1-	A	B1
R 1256	CHIP RES.	10k	1/16W	5%	RMC1/16 103JATP	J24185103		1-	A	E4
R 1257	CHIP RES.	10k	1/16W	5%	RMC1/16 103JATP	J24185103		1-	A	E4
R 1258	CHIP RES.	10k	1/16W	5%	RMC1/16 103JATP	J24185103		1-	A	E4
R 1259	CHIP RES.	10k	1/16W	5%	RMC1/16 103JATP	J24185103		1-	A	A1
R 1260	CHIP RES.	10k	1/16W	5%	RMC1/16 103JATP	J24185103		1-	A	A1
R 1261	CHIP RES.	10k	1/16W	5%	RMC1/16 103JATP	J24185103		1-	A	B1
R 1262	CHIP RES.	10k	1/16W	5%	RMC1/16 103JATP	J24185103		1-	A	B1
R 1263	CHIP RES.	10k	1/16W	5%	RMC1/16 103JATP	J24185103		1-	A	C1
R 1264	CHIP RES.	10k	1/16W	5%	RMC1/16 103JATP	J24185103		1-	A	C1
R 1265	CHIP RES.	10k	1/16W	5%	RMC1/16 103JATP	J24185103		1-	A	D1
R 1267	CHIP RES.	100	1/16W	5%	RMC1/16 101JATP	J24185101		1-	A	A4
R 1268	CHIP RES.	3.3k	1/16W	5%	RMC1/16 332JATP	J24185332		1-	A	H4
R 1269	CHIP RES.	100	1/16W	5%	RMC1/16 101JATP	J24185101		1-	A	G1
R 1270	CHIP RES.	100	1/16W	5%	RMC1/16 101JATP	J24185101		1-	A	G1
R 1271	CHIP RES.	100	1/16W	5%	RMC1/16 101JATP	J24185101		1-	A	G1
R 1272	CHIP RES.	100	1/16W	5%	RMC1/16 101JATP	J24185101		1-	A	G1
R 1273	CHIP RES.	4.7k	1/16W	5%	RMC1/16 472JATP	J24185472		1-	A	G4
R 1274	CHIP RES.	470	1/16W	5%	RMC1/16 471JATP	J24185471		1-	A	E5
R 1275	CHIP RES.	68k	1/16W	5%	RMC1/16 683JATP	J24185683		1	A	E5
R 1275	CHIP RES.	6.8k	1/16W	5%	RMC1/16 682JATP	J24185682		2-	A	E5
R 1276	CHIP RES.	33k	1/16W	5%	RMC1/16 333JATP	J24185333		1-	A	E5
R 1277	CHIP RES.	100	1/16W	5%	RMC1/16 101JATP	J24185101		1-	A	E5
R 1278	CHIP RES.	470	1/4W	5%	RMC1/4 471JATP	J24245471		1-	A	E6
R 1280	CHIP RES.	18k	1/16W	5%	RMC1/16 183JATP	J24185183		1-	A	G4
R 1281	CHIP RES.	10	1/16W	5%	RMC1/16 100JATP	J24185100		1-	A	H5
R 1283	CHIP RES.	47	1/16W	5%	RMC1/16 470JATP	J24185470		1-	A	E1
R 1284	CHIP RES.	100k	1/16W	5%	RMC1/16 104JATP	J24185104		1-	A	E1
R 1285	CHIP RES.	10k	1/16W	5%	RMC1/16 103JATP	J24185103		1-	A	E1
R 1286	CHIP RES.	47	1/16W	5%	RMC1/16 470JATP	J24185470		1-	A	E1
R 1287	CHIP RES.	100k	1/16W	5%	RMC1/16 104JATP	J24185104		1-	A	E1
R 1288	CHIP RES.	1k	1/16W	5%	RMC1/16 102JATP	J24185102		1-	A	E1
R 1289	CHIP RES.	56	1/16W	5%	RMC1/16 560JATP	J24185560		1-	A	E1
R 1290	CHIP RES.	56	1/16W	5%	RMC1/16 560JATP	J24185560		1-	A	E1
R 1291	CHIP RES.	3.3k	1/16W	5%	RMC1/16 332JATP	J24185332		1-	A	E1
R 1292	CHIP RES.	150	1/16W	5%	RMC1/16 151JATP	J24185151		1-	A	E1
R 1296	CHIP RES.	220	1/16W	5%	RMC1/16 221JATP	J24185221		1	A	E1
R 1296	CHIP RES.	100	1/16W	5%	RMC1/16 101JATP	J24185101		2-	A	E1
R 1297	CHIP RES.	47	1/16W	5%	RMC1/16 470JATP	J24185470		1-	A	E2
R 1298	CHIP RES.	100k	1/16W	5%	RMC1/16 104JATP	J24185104		1-	A	E2
R 1299	CHIP RES.	22k	1/16W	5%	RMC1/16 223JATP	J24185223		1-	A	E2
R 1300	CHIP RES.	100	1/16W	5%	RMC1/16 101JATP	J24185101		1-	A	G3
R 1301	CHIP RES.	0	1/16W	5%	RMC1/16 000JATP	J24185000		1-	A	F6
R 1303	CARBON FILM RES.	220k	1/6W	5%	RD16TPJ224 220K	J07225224		1	A	H5
R 1303	CHIP RES.	220k	1/16W	5%	RMC1/16 224JATP	J24185224		2-	A	H5
R 1304	CHIP RES.	22k	1/16W	5%	RMC1/16 223JATP	J24185223		1-	A	H5
R 1305	CHIP RES.	10k	1/16W	5%	RMC1/16 103JATP	J24185103		1-	A	H5
R 1306	CHIP RES.	0	1/16W	5%	RMC1/16 000JATP	J24185000		1		
R 1307	CHIP RES.	10k	1/16W	5%	RMC1/16 103JATP	J24185103		2-	A	A4
R 1308	CARBON FILM RES.	1.2k	1/6W	5%	RD16TPJ122 1.2K	J07225122		2-	A	G5
R 1308	CHIP RES.	1.2k	1/16W	5%	RMC1/16 122JATP	J24185122		4-	A	G5
R 1309	CHIP RES.	470	1/16W	5%	RMC1/16S 471JTH	J24189021		1-	A	F6
R 1309	CHIP RES.	470	1/16W	5%	RMC1/16 471JATP	J24185471		4-	A	F6
R 1310	CHIP RES.	0	1/16W	5%	RMC1/16 000JATP	J24185000		2-	A	G2
R 1311	CHIP RES.	470	1/16W	5%	RMC1/16 471JATP	J24185471		4-	A	H3
R 1312	CHIP RES.	470	1/16W	5%	RMC1/16 471JATP	J24185471		4-	A	H3
R 1313	CHIP RES.	470	1/16W	5%	RMC1/16 471JATP	J24185471		4-	A	H3
R 1314	CHIP RES.	470	1/16W	5%	RMC1/16 471JATP	J24185471		4-	A	H3
R 1315	CHIP RES.	470	1/16W	5%	RMC1/16 471JATP	J24185471		4-	A	H3
R 1316	CHIP RES.	2.2k	1/16W	5%	RMC1/16 222JATP	J24185222		3-		
R 1317	CARBON FILM RES.	3.3k	1/6W	5%	RD16PJ332 3.3K	J01225332		2-		
RL1001	RELAY		DC12V		G6K-2F-Y-TR DC12V	M1190183		1-	A	B6
RL1002	RELAY		DC12V		G6K-2F-Y-TR DC12V	M1190183		1-	A	B6
RL1003	RELAY		DC12V		G6K-2F-Y-TR DC12V	M1190183		1-	A	B6
RL1004	RELAY		DC12V		G6K-2F-Y-TR DC12V	M1190183		1-	A	D6
RL1005	RELAY		DC12V		G6K-2F-Y-TR DC12V	M1190183		1-	A	C6
RL1006	RELAY		DC12V		G6K-2F-Y-TR DC12V	M1190183		1-	A	A3
RL1007	RELAY		DC12V		G6K-2F-Y-TR DC12V	M1190183		1-	A	B3
RL1008	RELAY		DC12V		G6K-2F-Y-TR DC12V	M1190183		1-	A	E1
RL1009	RELAY		DC12V		G6K-2F-Y-TR DC12V	M1190183		1-	A	E1
RL1010	RELAY		DC12V		G6J-2P-Y DC12V	M1190190		1-	A	G1
RL1011	RELAY		DC12V		G6J-2P-Y DC12V	M1190190		1-	A	G1

# RX-1 Unit

## Parts List

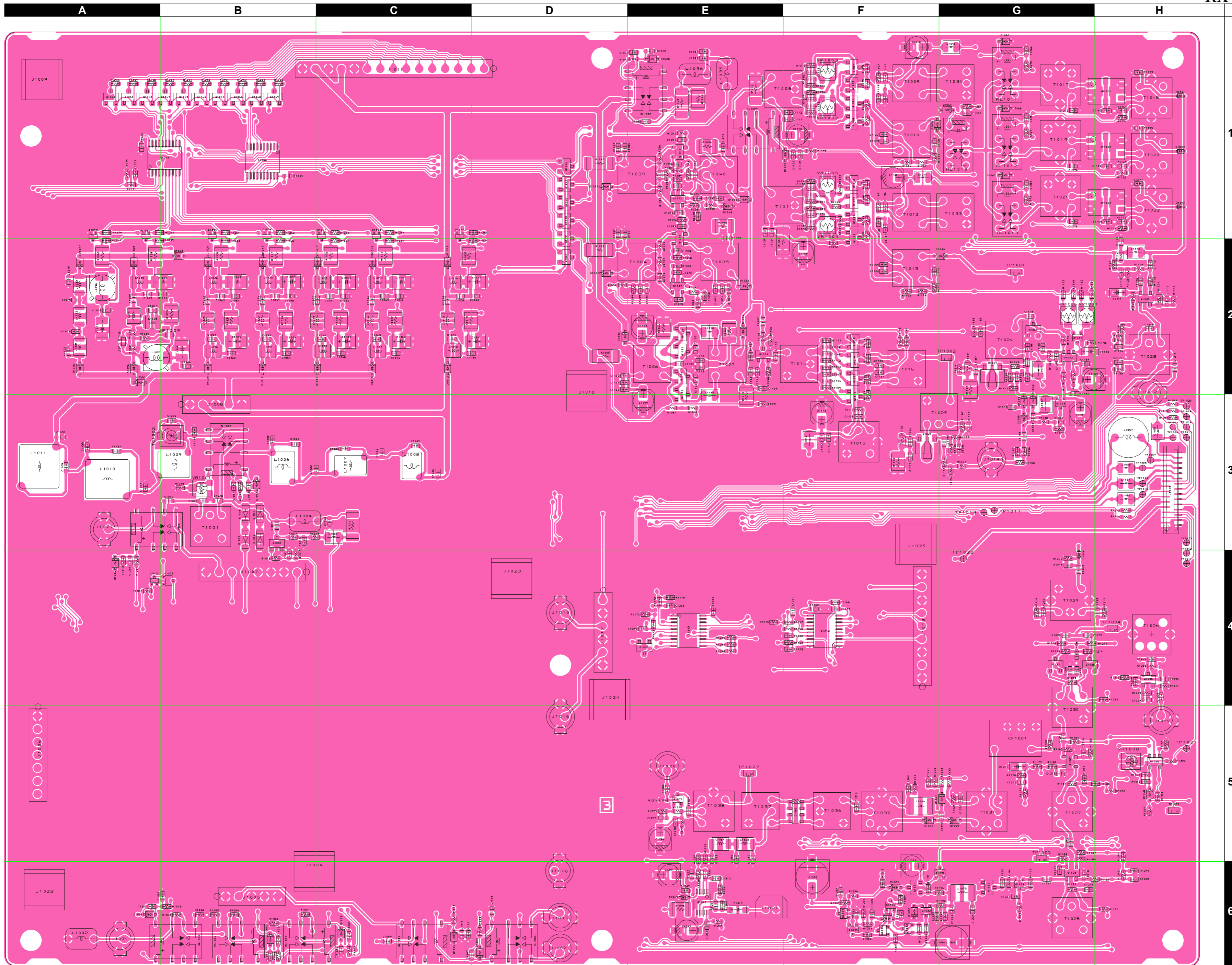
REF	DESCRIPTION	VALUE	V/W	TOL.	MFR'S DESIG	VXSTD P/N	VERS.	LOT	SIDE	LAY ADR
RL1012	RELAY		DC12V		G6J-2P-Y DC12V	M1190190		1-	A	G1
RL1013	RELAY		DC12V		G6J-2P-Y DC12V	M1190190		1-	A	G1
T 1001	COIL 07RF	160MHz			160M R12-K905X	L0022053		1-	A	B3
T 1004	COIL 07WIDE				4-1 2D3 TR6X3	L0020788A		1-	A	E2
T 1005	COIL 07WIDE				4-1 2D3 TR6X3	L0020788A		1-	A	E2
T 1006	COIL 07WIDE				2001F	L0021974		1-	A	E2
T 1007	COIL 07WIDE				2001F	L0021973		1-	A	E2
T 1008	COIL 07WIDE				4-1 2D3 TR6X3	L0020788A		1-	A	F1
T 1009	COIL 07WIDE				4-1 2D3 TR6X3	L0020788A		1-	A	F1
T 1010	COIL WIDE-TRANS.				4-1 3A	L0021462		1-	A	F1
T 1011	COIL 07WIDE				4-1 2D3 TR6X3	L0020788A		1-	A	F1
T 1012	COIL 07WIDE				4-1 2D3 TR6X3	L0020788A		1-	A	F1
T 1013	COIL WIDE-TRANS.				4-1 3A	L0021462		1-	A	F2
T 1014	COIL 07WIDE				4-1 2D3 TR6X3	L0020788A		1-	A	F2
T 1015	COIL 07RF	73.62MHz			73.62M R12-J757A	L0021957		1-	A	F3
T 1016	COIL WIDE-TRANS.				4-1 3A	L0021462		1-	A	F2
T 1017	COIL 07RF	40.455MHz			M7-T1 R-12W083A	L0022920		1-	A	G1
T 1018	COIL 07RF	40.455MHz			M7-T1 R-12W083A	L0022920		1-	A	H1
T 1019	COIL 07RF	40.455MHz			#223229	L0022919		1-	A	G1
T 1020	COIL 07RF	40.455MHz			#223229	L0022919		1-	A	H1
T 1021	COIL 07RF	40.455MHz			M7-T1 R-12W081A	L0022918		1-	A	G1
T 1022	COIL 07RF	40.455MHz			M7-T1 R-12W081A	L0022918		1-	A	H1
T 1023	COIL 07RF	47.1MHz			47.1M R12-M411A	L0021225		1-	A	H2
T 1024	COIL 07WIDE				4-1 2D3 TR6X3	L0020788A		1-	A	G2
T 1025	COIL 07WIDE				4-1 2D3 TR6X3	L0020788A		1-	A	F3
T 1026	COIL 07RF	47MHz			47.0M	L0021546		1-	A	H4
T 1027	COIL RF				R12°7947C	L0020422		1-	A	G5
T 1028	COIL RF				R12°7947C	L0020422		1-	A	G6
T 1029	COIL 07RF	40.455MHz			M7-T1 R-12W084A	L0022921		1-	A	G4
T 1030	COIL 07RF	455kHz			#223227	L0022917		1-	A	G4
T 1031	COIL RF				R12°7935A	L0020421		1-	A	G5
T 1032	COIL 07RF	455kHz			K7-H5 R-12W085A	L0022922		1-	A	F5
T 1034	COIL 07WIDE				1-1 3ATR	L0021933		1-	A	G1
T 1035	COIL 07WIDE				1-1 3ATR	L0021933		1-	A	G1
T 1036	COIL 07WIDE				4-1 2D3 TR6X3	L0020788A		1-	A	F5
T 1037	COIL 07WIDE				4-1 2D3 TR6X3	L0020788A		1-	A	E5
T 1038	COIL RF				R12°7935A	L0020421		1-	A	E5
T 1039	COIL 07WIDE				#223028	L0022721		1-	A	E1
T 1040	COIL 07WIDE				#223028	L0022721		1-	A	E1
TC1002	TRIMMER CAP.	30pF			ECR-JA030E11X	K91000253		1-	A	B3
TH1001	THERMISTOR				157-102-53012TP	G9090071		1-	A	H2
TP1001	CHECK TERMINAL				RCT00000C	Q5000103		1-	A	G2
TP1002	CHECK TERMINAL				RCT00000C	Q5000103		1-	A	G2
TP1003	CHECK TERMINAL				RCT00000C	Q5000103		1-	A	H5
TP1004	CHECK TERMINAL				RCT00000C	Q5000103		1-	A	H4
TP1005	CHECK TERMINAL				RCT00000C	Q5000103		1-	A	G5
TP1027	CHECK TERMINAL				RCT00000C	Q5000103		1-	A	E5
VR1001	POT.	470			RH03A3AS2X 470	J51807471		1	A	B3
VR1001	POT.	470			EVN-5ESX50BQ2	J51811471		2-	A	B3
VR1006	POT.	4.7k			RH03A3AS3X 4.7K	J51807472		1-	A	G2
VR1007	POT.	4.7k			RH03A3AS3X 4.7K	J51807472		1-	A	G2
VR1008	POT.	10k			EVN-5ESX50B14	J51811103		1-	A	H5
XF1001	XTAL FILTER				MFT40R2 40.455MHz 15kHz	H1102386		1-	A	H1
XF1002	XTAL FILTER				MFT40L 40.455MHz 6kHz	H1102387		1-	A	H1
XF1003	XTAL FILTER				MFT40F 40.455MHz 3kHz	H1102388		1-	A	H1



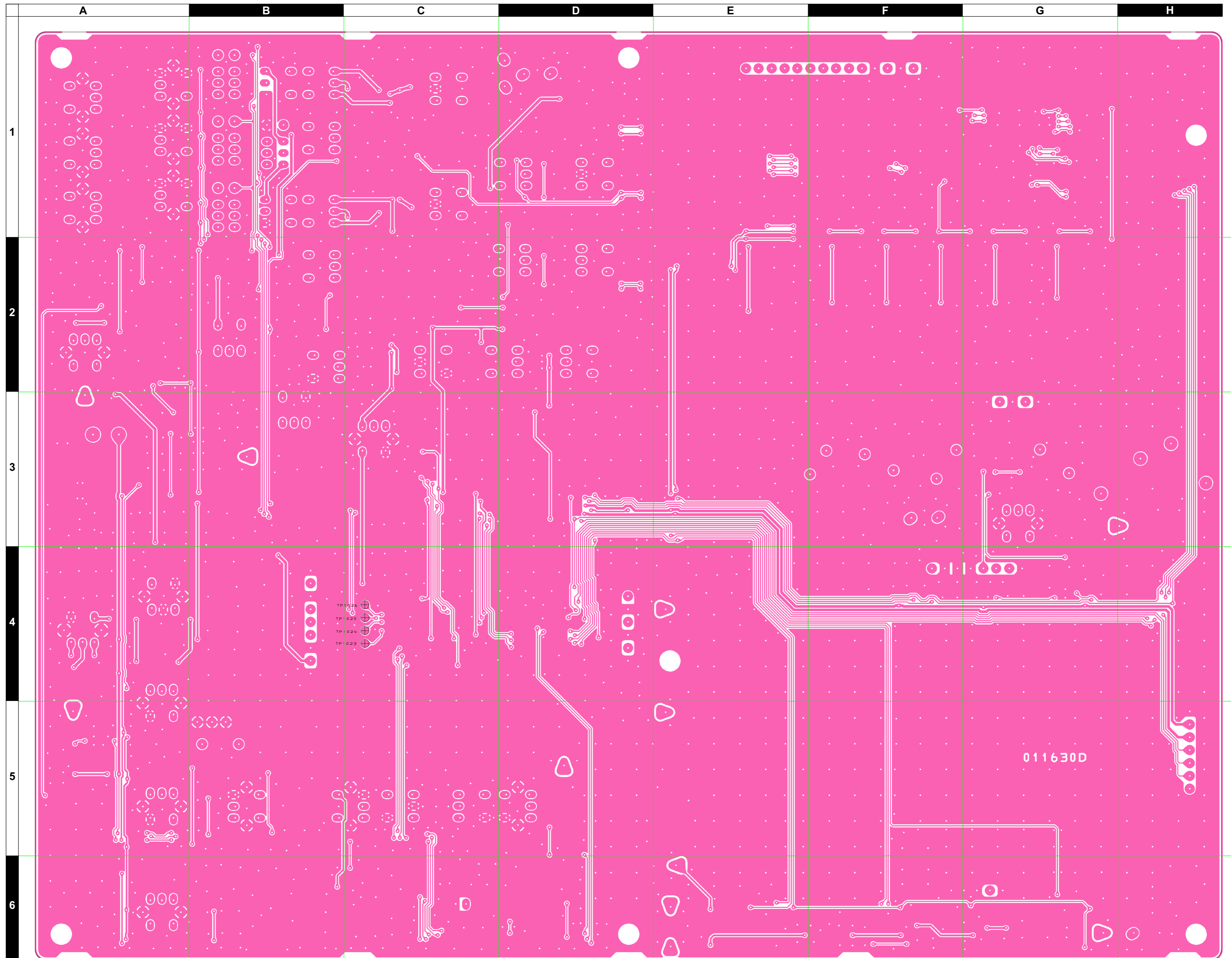


***RX-2 Unit (D, MP Type, RXU-9000)***

*Note*



Side A



# RX-2 Unit (D, MP Type, RXU-9000)

## Parts List

REF	DESCRIPTION	VALUE	V/W	TOL.	MFR'S DESIG	VXSTD P/N	VERS.	LOT	SIDE	LAY ADR
PCB with Components						CB2242001				
Printed Circuit Board						FR011630B		1		
						FR011630C		2-		
						FR011630D		4-		
C 8001	CHIP CAP.	0.01uF	50V	B	GRM188B11H103KA01D	K22174823		1-		
C 8002	CHIP CAP.	0.1uF	16V	B	GRM188B11C104KA01D	K22124805		1-		
C 8003	CHIP CAP.	0.01uF	50V	B	GRM188B11H103KA01D	K22174823		1-		
C 8004	CHIP CAP.	0.1uF	16V	B	GRM188B11C104KA01D	K22124805		1-		
C 8005	CHIP CAP.	0.01uF	50V	B	GRM188B11H103KA01D	K22174823		1-		
C 8006	CHIP CAP.	0.1uF	16V	B	GRM188B11C104KA01D	K22124805		1-		
C 8007	CHIP CAP.	0.01uF	50V	B	GRM188B11H103KA01D	K22174823		1-		
C 8008	CHIP CAP.	0.1uF	16V	B	GRM188B11C104KA01D	K22124805		1-		
C 8009	CHIP CAP.	0.1uF	16V	B	GRM188B11C104KA01D	K22124805		1-		
C 8010	CHIP CAP.	0.01uF	50V	B	GRM188B11H103KA01D	K22174823		1-		
C 8011	CHIP CAP.	0.1uF	16V	B	GRM188B11C104KA01D	K22124805		1-		
C 8012	CHIP CAP.	0.1uF	16V	B	GRM188B11C104KA01D	K22124805		1-		
C 8013	CHIP CAP.	0.01uF	50V	B	GRM188B11H103KA01D	K22174823		1-		
C 8014	CHIP CAP.	0.047uF	16V	B	GRM39B473K16PT	K22124804		1-		
C 8016	CHIP CAP.	0.047uF	16V	B	GRM39B473K16PT	K22124804		1-		
C 8017	CHIP CAP.	0.01uF	50V	B	GRM188B11H103KA01D	K22174823		1-		
C 8018	CHIP CAP.	0.01uF	50V	B	GRM188B11H103KA01D	K22174823		1-		
C 8019	CHIP CAP.	0.1uF	16V	B	GRM188B11C104KA01D	K22124805		1-		
C 8020	CHIP CAP.	47pF	50V	CH	GRM1882C1H470JA01D	K22174227		1-		
C 8021	CHIP CAP.	10pF	50V	CH	GRM1882C1H100RZ01D	K22174248		1-		
C 8022	CHIP CAP.	100pF	50V	CH	GRM1882C1H101JA01D	K22174235		1-		
C 8023	CHIP CAP.	33pF	50V	CH	GRM1882C1H330JA01D	K22174223		1-		
C 8024	CHIP CAP.	68pF	50V	CH	GRM1882C1H680JA01D	K22174231		1-		
C 8025	CHIP CAP.	56pF	50V	CH	GRM1882C1H560JA01D	K22174229		1-		
C 8026	CHIP CAP.	12pF	50V	CH	GRM1882C1H120JA01D	K22174213		2-		
C 8027	CHIP CAP.	330pF	50V	CH	GRM1882C1H331JA01D	K22174253		1-		
C 8028	CHIP CAP.	330pF	50V	CH	GRM1882C1H331JA01D	K22174253		1-		
C 8029	CHIP CAP.	82pF	50V	CH	GRM1882C1H820JA01D	K22174233		1-		
C 8030	CHIP CAP.	68pF	50V	CH	GRM1882C1H680JA01D	K22174231		1-		
C 8031	CHIP CAP.	180pF	50V	CH	GRM1882C1H181JA01D	K22174241		1-		
C 8032	CHIP CAP.	22pF	50V	CH	GRM1882C1H220JA01D	K22174219		1-		
C 8033	CHIP CAP.	220pF	50V	CH	GRM1882C1H221JA01D	K22174243		1-		
C 8034	CHIP CAP.	15pF	50V	CH	GRM1882C1H150JA01D	K22174215		1-		
C 8035	CHIP CAP.	100pF	50V	CH	GRM1882C1H101JA01D	K22174235		1-		
C 8036	CHIP CAP.	0.01uF	50V	B	GRM188B11H103KA01D	K22174823		1-		
C 8037	CHIP CAP.	150pF	50V	CH	GRM1882C1H151JA01D	K22174239		1-		
C 8038	CHIP CAP.	47pF	50V	CH	GRM1882C1H470JA01D	K22174227		1-		
C 8039	CHIP CAP.	150pF	50V	CH	GRM1882C1H151JA01D	K22174239		1-		
C 8040	CHIP CAP.	0.01uF	50V	B	GRM188B11H103KA01D	K22174823		1-		
C 8041	CHIP TA.CAP.	10uF	20V		TEMSVB21D106M-8R	K78130028		1-		
C 8042	CHIP CAP.	0.022uF	25V	B	GRM39B223K25PT	K22144807		1-		
C 8043	CHIP CAP.	820pF	50V	B	GRM188B11H821KA01D	K22174808		1-		
C 8044	CHIP CAP.	75pF	50V	CH	GRM1882C1H750JZ01D	K22174232		1-		
C 8045	CHIP CAP.	820pF	50V	B	GRM188B11H821KA01D	K22174808		1-		
C 8046	CHIP CAP.	0.022uF	25V	B	GRM39B223K25PT	K22144807		1-		
C 8047	CHIP TA.CAP.	10uF	20V		TEMSVB21D106M-8R	K78130028		1-		
C 8048	CHIP CAP.	0.047uF	16V	B	GRM39B473K16PT	K22124804		1-		
C 8049	CHIP CAP.	0.001uF	25V	CH	GRM1882C1E102JA01D	K22144204		1-		
C 8050	CHIP CAP.	120pF	50V	CH	GRM1882C1H121JA01D	K22174237		1-		
C 8051	CHIP CAP.	0.001uF	25V	CH	GRM1882C1E102JA01D	K22144204		1-		
C 8052	CHIP CAP.	0.047uF	16V	B	GRM39B473K16PT	K22124804		1-		
C 8053	CHIP TA.CAP.	10uF	20V		TEMSVB21D106M-8R	K78130028		1-		
C 8054	CHIP CAP.	0.047uF	16V	B	GRM39B473K16PT	K22124804		1-		
C 8055	CHIP CAP.	0.0012uF	50V	B	GRM188B11H122KA01D	K22174826		1-		
C 8056	CHIP CAP.	300pF	50V	CH	GRM1882C1H301JA01D	K22174252		1-		
C 8057	CHIP CAP.	0.0012uF	50V	B	GRM188B11H122KA01D	K22174826		1-		
C 8058	CHIP CAP.	0.047uF	16V	B	GRM39B473K16PT	K22124804		1-		
C 8059	CHIP TA.CAP.	10uF	20V		TEMSVB21D106M-8R	K78130028		1-		
C 8060	CHIP CAP.	0.047uF	16V	B	GRM39B473K16PT	K22124804		1-		
C 8061	CHIP CAP.	0.0022uF	50V	B	GRM188B11H222KA01D	K22174822		1-		
C 8062	CHIP CAP.	430pF	50V	CH	GRM1882C1H431JA01D	K22174256		1-		
C 8063	CHIP CAP.	0.0022uF	50V	B	GRM188B11H222KA01D	K22174822		1-		
C 8064	CHIP CAP.	0.047uF	16V	B	GRM39B473K16PT	K22124804		1-		
C 8065	CHIP TA.CAP.	10uF	20V		TEMSVB21D106M-8R	K78130028		1-		
C 8066	CHIP CAP.	0.1uF	16V	B	GRM188B11C104KA01D	K22124805		1-		
C 8067	CHIP CAP.	0.0027uF	50V	B	GRM188B11H272KA01D	K22174829		1-		
C 8068	CHIP CAP.	0.0039uF	50V	B	GRM188B11H392KA01D	K22174830		1-		
C 8069	CHIP CAP.	0.0027uF	50V	B	GRM188B11H272KA01D	K22174829		1-		
C 8070	CHIP CAP.	0.1uF	16V	B	GRM188B11C104KA01D	K22124805		1-		

# RX-2 Unit (D, MP Type, RXU-9000)

## Parts List

REF	DESCRIPTION	VALUE	V/W	TOL.	MFR'S DESIG	VXSTD P/N	VERS.	LOT	SIDE	LAY ADR
C 8071	CHIP TA.CAP.	10uF	20V		TEMSVB21D106M-8R	K78130028		1-		
C 8072	CHIP CAP.	0.0022uF	50V	B	GRM188B11H222KA01D	K22174822		1-		
C 8073	CHIP CAP.	0.0082uF	25V	B	GRM39B822M25PT	K22144801		1-		
C 8074	CHIP CAP.	0.0082uF	25V	B	GRM39B822M25PT	K22144801		1-		
C 8075	CHIP CAP.	0.0022uF	50V	B	GRM188B11H222KA01D	K22174822		1-		
C 8076	CHIP CAP.	0.1uF	16V	B	GRM188B11C104KA01D	K22124805		1-		
C 8077	CHIP TA.CAP.	10uF	20V		TEMSVB21D106M-8R	K78130028		1-		
C 8078	CHIP CAP.	0.1uF	16V	B	GRM188B11C104KA01D	K22124805		1-		
C 8079	CHIP CAP.	0.01uF	50V	B	GRM188B11H103KA01D	K22174823		1-		
C 8080	CHIP CAP.	0.01uF	50V	B	GRM188B11H103KA01D	K22174823		1-		
C 8081	CHIP CAP.	0.1uF	16V	B	GRM188B11C104KA01D	K22124805		1-		
C 8082	CHIP CAP.	0.1uF	16V	B	GRM188B11C104KA01D	K22124805		1-		
C 8083	CHIP CAP.	0.047uF	16V	B	GRM39B473K16PT	K22124804		1-		
C 8084	CHIP CAP.	0.001uF	50V	B	GRM188B11H102KA01D	K22174821		1-		
C 8090	CHIP CAP.	0.01uF	50V	B	GRM188B11H103KA01D	K22174823		1-		
C 8091	CHIP CAP.	0.001uF	50V	B	GRM188B11H102KA01D	K22174821		1-		
C 8092	CHIP CAP.	0.01uF	50V	B	GRM188B11H103KA01D	K22174823		1-		
C 8093	CHIP CAP.	0.01uF	50V	B	GRM188B11H103KA01D	K22174823		1-		
C 8094	CHIP CAP.	0.01uF	50V	B	GRM188B11H103KA01D	K22174823		1-		
C 8095	CHIP CAP.	0.01uF	50V	B	GRM188B11H103KA01D	K22174823		1-		
C 8096	CHIP CAP.	0.01uF	50V	B	GRM188B11H103KA01D	K22174823		1-		
C 8097	CHIP CAP.	0.001uF	50V	B	GRM188B11H102KA01D	K22174821		1-		
C 8098	CHIP CAP.	0.01uF	50V	B	GRM188B11H103KA01D	K22174823		1-		
C 8099	AL.ELECTRO.CAP.	10uF	35V		ECEV1VA100WR	K48160004		1-		
C 8100	CHIP CAP.	0.1uF	16V	B	GRM188B11C104KA01D	K22124805		1-		
C 8101	CHIP CAP.	0.047uF	16V	B	GRM39B473K16PT	K22124804		1-		
C 8102	CHIP CAP.	0.001uF	50V	B	GRM188B11H102KA01D	K22174821		1-		
C 8103	AL.ELECTRO.CAP.	10uF	35V		ECEV1VA100WR	K48160004		1-		
C 8104	CHIP CAP.	0.01uF	50V	B	GRM188B11H103KA01D	K22174823		1-		
C 8105	CHIP CAP.	0.047uF	16V	B	GRM39B473K16PT	K22124804		1-		
C 8106	CHIP CAP.	0.01uF	50V	B	GRM188B11H103KA01D	K22174823		1-		
C 8107	CHIP CAP.	0.01uF	50V	B	GRM188B11H103KA01D	K22174823		1-		
C 8108	CHIP CAP.	0.047uF	16V	B	GRM39B473K16PT	K22124804		1-		
C 8109	CHIP CAP.	0.047uF	16V	B	GRM39B473K16PT	K22124804		1-		
C 8110	AL.ELECTRO.CAP.	10uF	35V		ECEV1VA100WR	K48160004		1-		
C 8111	CHIP CAP.	0.047uF	16V	B	GRM39B473K16PT	K22124804		1-		
C 8112	CHIP CAP.	0.001uF	50V	B	GRM188B11H102KA01D	K22174821		1-		
C 8113	CHIP CAP.	0.01uF	50V	B	GRM188B11H103KA01D	K22174823		1-		
C 8114	CHIP CAP.	0.01uF	50V	B	GRM188B11H103KA01D	K22174823		1-		
C 8115	CHIP CAP.	0.01uF	50V	B	GRM188B11H103KA01D	K22174823		1-		
C 8116	CHIP CAP.	0.01uF	50V	B	GRM188B11H103KA01D	K22174823		1-		
C 8117	CHIP CAP.	15pF	50V	CH	GRM1882C1H150JA01D	K22174215		1-		
C 8118	AL.ELECTRO.CAP.	10uF	35V		ECEV1VA100WR	K48160004		1-		
C 8119	CHIP CAP.	0.01uF	50V	B	GRM188B11H103KA01D	K22174823		1-		
C 8120	CHIP CAP.	0.001uF	50V	B	GRM188B11H102KA01D	K22174821		1-		
C 8122	CHIP CAP.	0.001uF	50V	B	GRM188B11H102KA01D	K22174821		1-		
C 8123	CHIP CAP.	0.01uF	50V	B	GRM188B11H103KA01D	K22174823		1-		
C 8124	CHIP CAP.	0.01uF	50V	B	GRM188B11H103KA01D	K22174823		1-		
C 8125	CHIP CAP.	0.01uF	50V	B	GRM188B11H103KA01D	K22174823		1-		
C 8126	CHIP CAP.	0.1uF	16V	B	GRM188B11C104KA01D	K22124805		1-		
C 8127	AL.ELECTRO.CAP.	10uF	35V		ECEV1VA100WR	K48160004		1-		
C 8128	CHIP CAP.	0.047uF	16V	B	GRM39B473K16PT	K22124804		1-		
C 8129	CHIP CAP.	0.001uF	50V	B	GRM188B11H102KA01D	K22174821		1-		
C 8130	CHIP CAP.	0.047uF	16V	B	GRM39B473K16PT	K22124804		1-		
C 8131	CHIP CAP.	0.047uF	16V	B	GRM39B473K16PT	K22124804		1-		
C 8132	CHIP CAP.	0.047uF	16V	B	GRM39B473K16PT	K22124804		1-		
C 8133	CHIP CAP.	0.047uF	16V	B	GRM39B473K16PT	K22124804		1-		
C 8134	CHIP CAP.	15pF	50V	CH	GRM1882C1H150JA01D	K22174215		1-		
C 8135	AL.ELECTRO.CAP.	10uF	35V		ECEV1VA100WR	K48160004		1-		
C 8136	CHIP CAP.	0.01uF	50V	B	GRM188B11H103KA01D	K22174823		1-		
C 8137	CHIP CAP.	0.001uF	50V	B	GRM188B11H102KA01D	K22174821		1-		
C 8139	CHIP CAP.	0.001uF	50V	B	GRM188B11H102KA01D	K22174821		1-		
C 8140	CHIP CAP.	0.01uF	50V	B	GRM188B11H103KA01D	K22174823		1-		
C 8141	CHIP CAP.	0.01uF	50V	B	GRM188B11H103KA01D	K22174823		1-		
C 8142	CHIP CAP.	0.047uF	16V	B	GRM39B473K16PT	K22124804		1-		
C 8143	CHIP CAP.	0.1uF	16V	B	GRM188B11C104KA01D	K22124805		1-		
C 8144	CHIP CAP.	0.01uF	50V	B	GRM188B11H103KA01D	K22174823		1-		
C 8145	CHIP CAP.	0.1uF	16V	B	GRM188B11C104KA01D	K22124805		1-		
C 8146	CHIP CAP.	0.047uF	16V	B	GRM39B473K16PT	K22124804		1-		
C 8147	CHIP CAP.	0.047uF	16V	B	GRM39B473K16PT	K22124804		1-		
C 8148	CHIP CAP.	0.047uF	16V	B	GRM39B473K16PT	K22124804		1-		
C 8149	CHIP CAP.	0.047uF	16V	B	GRM39B473K16PT	K22124804		1-		
C 8150	CHIP CAP.	18pF	50V	CH		K22174217		1-		

# RX-2 Unit (D, MP Type, RXU-9000)

## Parts List

REF	DESCRIPTION	VALUE	V/W	TOL.	MFR'S DESIG	VXSTD P/N	VERS.	LOT	SIDE	LAY ADR
C 8151	AL.ELECTRO.CAP.	10uF	35V		ECEV1VA100WR	K48160004		1-		
C 8152	CHIP CAP.	0.01uF	50V	B	GRM188B11H103KA01D	K22174823		1-		
C 8153	CHIP CAP.	0.001uF	50V	B	GRM188B11H102KA01D	K22174821		1-		
C 8154	CHIP CAP.	0.001uF	50V	B	GRM188B11H102KA01D	K22174821		1-		
C 8155	CHIP CAP.	0.01uF	50V	B	GRM188B11H103KA01D	K22174823		1-		
C 8163	CHIP CAP.	10pF	50V	CH	GRM1882C1H100JA01D	K22174211		1-		
C 8164	CHIP CAP.	0.01uF	50V	B	GRM188B11H103KA01D	K22174823		1-		
C 8166	CHIP CAP.	33pF	50V	CH	GRM1882C1H330JA01D	K22174223		1-		
C 8167	CHIP CAP.	0.01uF	50V	B	GRM188B11H103KA01D	K22174823		1-		
C 8169	CHIP CAP.	68pF	50V	CH	GRM1882C1H680JA01D	K22174231		1-		
C 8170	CHIP CAP.	0.01uF	50V	B	GRM188B11H103KA01D	K22174823		1-		
C 8171	CHIP CAP.	0.01uF	50V	B	GRM188B11H103KA01D	K22174823		1-		
C 8172	CHIP CAP.	33pF	50V	CH	GRM1882C1H330JA01D	K22174223		1-		
C 8173	CHIP CAP.	0.01uF	50V	B	GRM188B11H103KA01D	K22174823		1-		
C 8174	CHIP CAP.	0.01uF	50V	B	GRM188B11H103KA01D	K22174823		1-		
C 8175	CHIP CAP.	0.01uF	50V	B	GRM188B11H103KA01D	K22174823		1-		
C 8176	CHIP CAP.	0.01uF	50V	B	GRM188B11H103KA01D	K22174823		1-		
C 8177	CHIP CAP.	0.01uF	50V	B	GRM188B11H103KA01D	K22174823		1-		
C 8178	CHIP CAP.	10pF	50V	CH	GRM1882C1H100JA01D	K22174211		1-		
C 8179	CHIP TA.CAP.	1uF	16V		TESVA1C105M1-8R	K78120009		1-		
C 8180	CHIP CAP.	0.01uF	50V	B	GRM188B11H103KA01D	K22174823		1-		
C 8181	AL.ELECTRO.CAP.	10uF	35V		ECEV1VA100WR	K48160004		1-		
C 8182	CHIP CAP.	0.01uF	50V	B	GRM188B11H103KA01D	K22174823		1-		
C 8183	AL.ELECTRO.CAP.	10uF	35V		ECEV1VA100WR	K48160004		1-		
C 8184	CHIP CAP.	0.01uF	50V	B	GRM188B11H103KA01D	K22174823		1-		
C 8185	CHIP CAP.	0.01uF	50V	B	GRM188B11H103KA01D	K22174823		1-		
C 8186	CHIP CAP.	0.01uF	50V	B	GRM188B11H103KA01D	K22174823		1-		
C 8187	CHIP CAP.	330pF	50V	CH	GRM1882C1H331JA01D	K22174253		1-		
C 8188	CHIP CAP.	0.01uF	50V	B	GRM188B11H103KA01D	K22174823		1		
C 8189	CHIP CAP.	0.01uF	50V	B	GRM188B11H103KA01D	K22174823		1-		
C 8190	CHIP CAP.	0.01uF	50V	B	GRM188B11H103KA01D	K22174823		1-		
C 8191	CHIP CAP.	0.01uF	50V	B	GRM188B11H103KA01D	K22174823		1-		
C 8192	CHIP CAP.	0.01uF	50V	B	GRM188B11H103KA01D	K22174823		1-		
C 8193	CHIP CAP.	0.01uF	50V	B	GRM188B11H103KA01D	K22174823		1-		
C 8194	CHIP CAP.	0.01uF	50V	B	GRM188B11H103KA01D	K22174823		1-		
C 8195	CHIP CAP.	0.01uF	50V	B	GRM188B11H103KA01D	K22174823		1-		
C 8196	CHIP CAP.	180pF	50V	CH	GRM1882C1H181JA01D	K22174241		1-		
C 8197	CHIP CAP.	0.01uF	50V	B	GRM188B11H103KA01D	K22174823		1-		
C 8198	CHIP CAP.	0.01uF	50V	B	GRM188B11H103KA01D	K22174823		1-		
C 8199	CHIP CAP.	0.01uF	50V	B	GRM188B11H103KA01D	K22174823		1-		
C 8200	CHIP CAP.	0.01uF	50V	B	GRM188B11H103KA01D	K22174823		1-		
C 8204	CHIP CAP.	0.01uF	50V	B	GRM188B11H103KA01D	K22174823		1-		
C 8205	CHIP CAP.	0.047uF	16V	B	GRM39B473K16PT	K22124804		1-		
C 8206	CHIP CAP.	0.047uF	16V	B	GRM39B473K16PT	K22124804		1-		
C 8210	CHIP CAP.	0.047uF	16V	B	GRM39B473K16PT	K22124804		1-		
C 8211	CHIP TA.CAP.	1uF	16V		TESVA1C105M1-8R	K78120009		1-		
C 8212	CHIP CAP.	100pF	50V	CH	GRM1882C1H101JA01D	K22174235		1-		
C 8213	CHIP CAP.	0.047uF	16V	B	GRM39B473K16PT	K22124804		1-		
C 8214	CHIP CAP.	0.047uF	16V	B	GRM39B473K16PT	K22124804		1-		
C 8215	CHIP CAP.	0.047uF	16V	B	GRM39B473K16PT	K22124804		1-		
C 8216	CHIP CAP.	470pF	50V	CH	GRM1882C1H471JA01D	K22174249		1-		
C 8217	CHIP CAP.	0.047uF	16V	B	GRM39B473K16PT	K22124804		1-		
C 8218	CHIP CAP.	0.047uF	16V	B	GRM39B473K16PT	K22124804		1-		
C 8219	CHIP CAP.	0.047uF	16V	B	GRM39B473K16PT	K22124804		1-		
C 8220	CHIP CAP.	470pF	50V	CH	GRM1882C1H471JA01D	K22174249		1-		
C 8221	CHIP CAP.	0.047uF	16V	B	GRM39B473K16PT	K22124804		1-		
C 8222	CHIP CAP.	470pF	50V	CH	GRM1882C1H471JA01D	K22174249		1-		
C 8223	AL.ELECTRO.CAP.	1uF	50V		ECEV1HA010SR	K48170019		1-		
C 8224	CHIP CAP.	0.001uF	50V	B	GRM188B11H102KA01D	K22174821		1-		
C 8225	CHIP CAP.	0.001uF	50V	B	GRM188B11H102KA01D	K22174821		1-		
C 8226	CHIP CAP.	0.047uF	16V	B	GRM39B473K16PT	K22124804		1		
C 8227	CHIP CAP.	0.01uF	50V	B	GRM188B11H103KA01D	K22174823		1-		
C 8228	CHIP CAP.	0.01uF	50V	B	GRM188B11H103KA01D	K22174823		1-		
C 8229	CHIP CAP.	0.01uF	50V	B	GRM188B11H103KA01D	K22174823		1-		
C 8230	CHIP CAP.	0.01uF	50V	B	GRM188B11H103KA01D	K22174823		1-		
C 8232	CHIP CAP.	0.01uF	50V	B	GRM188B11H103KA01D	K22174823		1-		
C 8233	CHIP CAP.	0.01uF	50V	B	GRM188B11H103KA01D	K22174823		1-		
C 8234	CHIP CAP.	0.01uF	50V	B	GRM188B11H103KA01D	K22174823		1-		
C 8235	CHIP CAP.	0.01uF	50V	B	GRM188B11H103KA01D	K22174823		1-		
C 8236	CHIP CAP.	0.047uF	16V	B	GRM39B473K16PT	K22124804		1-		
C 8237	CHIP CAP.	0.01uF	50V	B	GRM188B11H103KA01D	K22174823		1-		
C 8238	CHIP CAP.	0.047uF	16V	B	GRM39B473K16PT	K22124804		1-		
C 8239	CHIP CAP.	0.047uF	16V	B	GRM39B473K16PT	K22124804		1-		

# RX-2 Unit (D, MP Type, RXU-9000)

## Parts List

REF	DESCRIPTION	VALUE	V/W	TOL.	MFR'S DESIG	VXSTD P/N	VERS.	LOT	SIDE	LAY ADR
C 8240	CHIP CAP.	0.047uF	16V	B	GRM39B473K16PT	K22124804		1-		
C 8241	CHIP CAP.	0.047uF	16V	B	GRM39B473K16PT	K22124804		1-		
C 8242	CHIP CAP.	0.047uF	16V	B	GRM39B473K16PT	K22124804		1-		
C 8255	CHIP CAP.	680pF	25V	CH	GRM39CH681J25PT	K22144203		1-		
C 8256	CHIP CAP.	0.047uF	16V	B	GRM39B473K16PT	K22124804		1-		
C 8257	AL.ELECTRO.CAP.	10uF	35V		ECEV1VA100WR	K48160004		1-		
C 8258	CHIP CAP.	150pF	50V	CH	GRM1882C1H151JA01D	K22174239		1-		
C 8261	CHIP CAP.	68pF	50V	CH	GRM1882C1H680JA01D	K22174231		1-		
C 8263	CHIP CAP.	0.1uF	16V	B	GRM188B11C104KA01D	K22124805		1-		
C 8264	CHIP CAP.	5pF	50V	CH	GRM1882C1H5R0CZ01D	K22174206		1-		
C 8265	CHIP CAP.	0.01uF	50V	B	GRM188B11H103KA01D	K22174823		1-		
C 8266	CHIP CAP.	0.01uF	50V	B	GRM188B11H103KA01D	K22174823		1-		
C 8267	CHIP CAP.	0.01uF	50V	B	GRM188B11H103KA01D	K22174823		1-		
C 8268	CHIP CAP.	0.01uF	50V	B	GRM188B11H103KA01D	K22174823		1-		
C 8269	CHIP CAP.	24pF	50V	CH	GRM1882C1H240JZ01D	K22174220		1-		
C 8270	CHIP CAP.	120pF	50V	CH	GRM1882C1H121JA01D	K22174237		1-		
C 8271	CHIP CAP.	0.01uF	50V	B	GRM188B11H103KA01D	K22174823		1-		
C 8272	CHIP CAP.	22pF	50V	CH	GRM1882C1H220JA01D	K22174219		1-		
C 8273	CHIP CAP.	18pF	50V	CH		K22174217		1-		
C 8274	CHIP CAP.	22pF	50V	CH	GRM1882C1H220JA01D	K22174219		1-		
C 8275	CHIP CAP.	18pF	50V	CH		K22174217		1-		
C 8276	CHIP CAP.	22pF	50V	CH	GRM1882C1H220JA01D	K22174219		1-		
C 8277	CHIP CAP.	18pF	50V	CH		K22174217		1-		
C 8278	CHIP CAP.	0.047uF	16V	B	GRM39B473K16PT	K22124804		1-		
C 8279	CHIP CAP.	0.047uF	16V	B	GRM39B473K16PT	K22124804		1-		
C 8280	CHIP CAP.	0.047uF	16V	B	GRM39B473K16PT	K22124804		1-		
C 8281	AL.ELECTRO.CAP.	10uF	35V		ECEV1VA100WR	K48160004		1-		
C 8282	CHIP CAP.	0.047uF	16V	B	GRM39B473K16PT	K22124804		1-		
C 8283	CHIP CAP.	100pF	50V	CH	GRM1882C1H101JA01D	K22174235		1-		
C 8284	CHIP CAP.	220pF	50V	CH	GRM1882C1H221JA01D	K22174243		2-		
C 8285	CHIP CAP.	100pF	50V	CH	GRM1882C1H101JA01D	K22174235		1-		
C 8286	AL.ELECTRO.CAP.	10uF	35V		ECEV1VA100WR	K48160004		1-		
C 8289	CHIP CAP.	0.1uF	16V	B	GRM188B11C104KA01D	K22124805		1-		
C 8290	AL.ELECTRO.CAP.	22uF	50V		ECEV1HA220WP	K48170018		1-		
C 8292	CHIP CAP.	0.01uF	50V	B	GRM188B11H103KA01D	K22174823		1-		
C 8293	CHIP CAP.	0.01uF	50V	B	GRM188B11H103KA01D	K22174823		1-		
C 8294	CHIP CAP.	0.01uF	50V	B	GRM188B11H103KA01D	K22174823		1-		
C 8295	CHIP CAP.	0.01uF	50V	B	GRM188B11H103KA01D	K22174823		1-		
C 8297	CHIP CAP.	0.01uF	50V	B	GRM188B11H103KA01D	K22174823		1-		
C 8297	CHIP CAP.	0.1uF	16V	B	GRM188B11C104KA01D	K22124805		4-		
C 8298	CHIP CAP.	0.01uF	50V	B	GRM188B11H103KA01D	K22174823		1-		
C 8299	CHIP CAP.	0.001uF	50V	B	GRM188B11H102KA01D	K22174821		1-		
C 8300	CHIP CAP.	0.01uF	50V	B	GRM188B11H103KA01D	K22174823		1-		
C 8301	CHIP TA.CAP.	10uF	20V		TEMSVB21D106M-8R	K78130028		1-		
C 8302	CHIP TA.CAP.	10uF	20V		TEMSVB21D106M-8R	K78130028		1-		
C 8303	CHIP TA.CAP.	10uF	20V		TEMSVB21D106M-8R	K78130028		1-		
C 8304	CHIP TA.CAP.	10uF	20V		TEMSVB21D106M-8R	K78130028		1-		
C 8305	CHIP TA.CAP.	10uF	20V		TEMSVB21D106M-8R	K78130028		1-		
C 8306	CHIP TA.CAP.	10uF	20V		TEMSVB21D106M-8R	K78130028		1-		
C 8307	CHIP CAP.	0.01uF	50V	B	GRM188B11H103KA01D	K22174823		1-		
C 8308	CHIP CAP.	5pF	50V	CH	GRM1882C1H5R0CZ01D	K22174206		1-		
C 8309	AL.ELECTRO.CAP.	220uF	16V		MVA16VC220MF80	K48120021		1-		
C 8310	CERAMIC CAP.	470pF	50V	B	UP050B471K-A-B	K28179043		1		
C 8310	CHIP CAP.	470pF	50V	B	GRM188B11H471KA01D	K22174805		2-		
C 8311	CHIP TA.CAP.	0.33uF	35V		TESVA1V334M1-8R	K78160028		1-		
C 8312	CHIP CAP.	0.01uF	50V	B	GRM188B11H103KA01D	K22174823		1-		
C 8313	CERAMIC CAP.	0.001uF	50V	B	UP050B102K-A-B	K28179001		1		
C 8313	CHIP CAP.	0.001uF	50V	B	GRM188B11H102KA01D	K22174821		2-		
C 8314	CHIP CAP.	100pF	50V	CH	GRM1882C1H101JA01D	K22174235		1-		
C 8315	TANTALUM CAP.	0.33uF	35V		DN1VR33M1S	K70167334		1		
C 8315	CHIP TA.CAP.	0.33uF	35V		TESVA1V334M1-8R	K78160028		2-		
C 8316	CHIP CAP.	0.01uF	25V	B	GRM39B103M25PT	K22144802		1-		
CF8001	CERAMIC FILTER				CFWLB450KE2A-B0	H3900466		1-		
D 8001	DIODE				BAS316	G2070716		1-		
D 8002	DIODE				BAS316	G2070716		1-		
D 8003	DIODE				BAS316	G2070716		1-		
D 8004	DIODE				BAS316	G2070716		1-		
D 8005	DIODE				BAS316	G2070716		1-		
D 8006	DIODE				BAS316	G2070716		1-		
D 8007	DIODE				RLS245 TE-11	G2070834		1-		
D 8008	DIODE				RLS245 TE-11	G2070834		1-		
D 8009	DIODE				RLS245 TE-11	G2070834		1-		
D 8010	DIODE				RLS245 TE-11	G2070834		1-		



# RX-2 Unit (D, MP Type, RXU-9000)

## Parts List

REF	DESCRIPTION	VALUE	V/W	TOL.	MFR'S DESIG	VXSTD P/N	VERS.	LOT	SIDE	LAY ADR
D 8011	DIODE				BAS316	G2070716		1-		
D 8012	DIODE				RN731V TE-17	G2070898		1-		
D 8013	DIODE				RN731V TE-17	G2070898		1-		
D 8014	DIODE				RN731V TE-17	G2070898		1-		
D 8015	DIODE				RN731V TE-17	G2070898		1-		
D 8016	DIODE				RN731V TE-17	G2070898		1-		
D 8017	DIODE				RN731V TE-17	G2070898		1-		
D 8018	DIODE				RN731V TE-17	G2070898		1-		
D 8019	DIODE				RN731V TE-17	G2070898		1-		
D 8020	DIODE				RN731V TE-17	G2070898		1-		
D 8021	DIODE				RN731V TE-17	G2070898		1-		
D 8022	DIODE				RN731V TE-17	G2070898		1-		
D 8023	DIODE				RN731V TE-17	G2070898		1-		
D 8024	DIODE				RN731V TE-17	G2070898		1-		
D 8025	DIODE				RN731V TE-17	G2070898		1-		
D 8026	DIODE				RN731V TE-17	G2070898		1-		
D 8027	DIODE				RN731V TE-17	G2070898		1-		
D 8028	DIODE				BAS316	G2070716		1-		
D 8029	DIODE				RN731V TE-17	G2070898		1-		
D 8030	DIODE				RN731V TE-17	G2070898		1-		
D 8031	DIODE				RN731V TE-17	G2070898		1-		
D 8032	DIODE				RN731V TE-17	G2070898		1-		
D 8033	DIODE				RN731V TE-17	G2070898		1-		
D 8034	DIODE				RN731V TE-17	G2070898		1-		
D 8036	DIODE				1SS356TW11	G2070468		1-		
D 8037	DIODE				BAS316	G2070716		1-		
D 8039	DIODE				1SS356TW11	G2070468		1-		
D 8041	DIODE				RN142S TE61	G2070994		1-		
D 8043	DIODE				RN142S TE61	G2070994		1-		
D 8045	DIODE				RN142S TE61	G2070994		1-		
D 8047	DIODE				HSM198S-TR	G2070570		1-		
D 8048	DIODE				RN731V TE-17	G2070898		1-		
D 8049	DIODE				RN731V TE-17	G2070898		1-		
D 8050	DIODE				RN731V TE-17	G2070898		1-		
D 8051	DIODE				DAN202U T106	G2070162		1-		
D 8052	DIODE				1SS226 TE85R	G2070003		1-		
D 8053	DIODE				BAS316	G2070716		1-		
D 8054	DIODE				DAN202U T106	G2070162		1-		
D 8055	DIODE				BAS316	G2070716		1-		
D 8056	DIODE				BAS316	G2070716		1-		
D 8057	DIODE				DAN202U T106	G2070162		1-		
D 8058	DIODE				RN142S TE61	G2070994		1-		
D 8059	DIODE				BAS316	G2070716		1-		
D 8060	DIODE				BAS316	G2070716		1-		
D 8061	DIODE				BAS316	G2070716		1-		
D 8062	DIODE				HSB88WSTR	G2070290		1-		
D 8063	DIODE				RD5.1UMB1-T1	G2070538		1-		
D 8064	DIODE				BAS316	G2070716		1-		
D 8065	DIODE				BAS316	G2070716		1-		
D 8066	DIODE				BAS316	G2070716		1-		
D 8067	DIODE				BAS316	G2070716		1-		
D 8068	DIODE				BAS316	G2070716		1-		
D 8069	DIODE				UDZS TE-17 9.1B	G2070868		4-		
J 8001	CONNECTOR				TMP-J01X-V6	P1090210		1-		
J 8002	CONNECTOR				TMP-J01X-V6	P1090210		1-		
J 8003	CONNECTOR				TMP-J01X-V6	P1090210		1-		
J 8004	TERMINAL				OT-007	S5000180		1-		
J 8005	CONNECTOR				IMSA-6065B-05-Z049-PT1	P0091382		1-		
J 8006	CONNECTOR				IMSA-6065B-07-Z049-PT1	P0091384		1-		
J 8007	CONNECTOR				IMSA-6065B-08-Z049-PT1	P0091385		1-		
J 8008	CONNECTOR				IMSA6065B-05-Z054-PT1	P0091411		1-		
J 8008	CONNECTOR				IMSA6065B-05-Z075-PT1	P0091416		3-		
J 8009	TERMINAL				P07	Q5000166		1-		
J 8010	TERMINAL				P07	Q5000166		1-		
J 8011	CONNECTOR				IMSA6065B-15-Z054-PT1	P0091412		1-		
J 8011	CONNECTOR				IMSA6065B-15-Z075-PT1	P0091417		3-		
J 8012	CONNECTOR				TMP-J01X-V6	P1090210		1-		
J 8013	CONNECTOR				30FLT-SM1-TB	P1091142		1-		
J 8014	CONNECTOR				TMP-J01X-V6	P1090210		1-		
J 8015	CONNECTOR				TMP-J01X-V6	P1090210		1-		
J 8016	CONNECTOR				TMP-J01X-V6	P1090210		1-		
J 8017	CONNECTOR				IMSA-6065B-06-Z049-PT1	P0091383		1-		
J 8018	CONNECTOR				IMSA-6065B-09-Z049-PT1	P0091386		1-		

# RX-2 Unit (D, MP Type, RXU-9000)

## Parts List

REF	DESCRIPTION	VALUE	V/W	TOL.	MFR'S DESIG	VXSTD P/N	VERS.	LOT	SIDE	LAY ADR
J 8019	CONNECTOR				TMP-J01X-V6	P1090210		1-		
J 8020	CONNECTOR				TMP-J01X-V6	P1090210		1-		
J 8021	CONNECTOR				SB20-02WS	P0090609		1-		
J 8022	TERMINAL				OT-007	S5000180		1-		
J 8023	TERMINAL				OT-007	S5000180		1-		
J 8024	TERMINAL				OT-007	S5000180		1-		
J 8025	TERMINAL				OT-007	S5000180		1-		
J 8026	CONNECTOR				TMP-J01X-V6	P1090210		1-		
J 8027	CONNECTOR				TMP-J01X-V6	P1090210		1-		
JP8004	WIRE ASSY				GRN 20 2/2	T50502000		1		
JP8005	WIRE ASSY				GRN 105 2/2	T50510500		1		
JP8006	WIRE ASSY				GRN 30 2/2	T50503000		1		
JP8007	WIRE ASSY				GRN 30 2/2	T50503000		1		
JP8009	CHIP RES.	0	1/16W	5%	RMC1/16 000JATP	J24185000		2-		
JP8023	CHIP RES.	1.2k	1/16W	5%	RMC1/16 122JATP	J24185122		1		
L 8002	M.RFC	1mH			LAV35VB102J	L1790255		1-		
L 8004	M.RFC	1mH			LAV35VB102J	L1790255		1-		
L 8005	CHIP COIL	100uH			LQH32MN101K23L	L1690099		1-		
L 8006	COIL A1				5.5T5.0D0.6UEW R	L0021832A		1-		
L 8007	COIL A1				4.5T5.0D0.6UEW R	L0021831A		1-		
L 8008	COIL A1				4.5T4.0D0.6UEW R	L0021825A		1-		
L 8009	COIL A1				6.5T5.0D0.6UEW R	L0021833A		1-		
L 8010	COIL A1				8.5T6.0D0.8UEW R	L0022802		1-		
L 8011	COIL A1				8.5T6.0D0.8UEW R	L0022802		1-		
L 8012	CHIP COIL	0.12uH			C2520C-R12J	L1690545		1-		
L 8013	CHIP COIL	0.39uH			C2520C-R39J	L1690551		1-		
L 8014	CHIP COIL	0.12uH			C2520C-R12J	L1690545		1-		
L 8015	CHIP COIL	0.22uH			C2520C-R22J	L1690548		1-		
L 8016	CHIP COIL	2.2uH			C2520F-2R2K	L1690588		1-		
L 8017	CHIP COIL	0.22uH			C2520C-R22J	L1690548		1-		
L 8018	CHIP COIL	0.33uH			C2520C-R33J	L1690550		1-		
L 8019	CHIP COIL	2.7uH			C2520F-2R7K	L1690589		1-		
L 8020	CHIP COIL	0.33uH			C2520C-R33J	L1690550		1-		
L 8021	CHIP COIL	0.82uH			C2520C-R82J	L1690555		1-		
L 8022	CHIP COIL	3.3uH			C2520F-3R3K	L1690590		1-		
L 8023	CHIP COIL	0.82uH			C2520C-R82J	L1690555		1-		
L 8024	CHIP COIL	1.2uH			C2520F-1R2K	L1690585		1-		
L 8025	CHIP COIL	6.8uH			C2520F-6R8K	L1690594		1-		
L 8026	CHIP COIL	1.2uH			C2520F-1R2K	L1690585		1-		
L 8027	M.RFC	1mH			875FU-102M=P3	L1691236		1-		
L 8028	CHIP COIL	10uH			C2520F-100K	L1690596		1-		
L 8029	CHIP COIL	6.8uH			C2520F-6R8K	L1690594		1-		
L 8030	CHIP COIL	10uH			C2520F-100K	L1690596		1-		
L 8031	M.RFC	15uH			LLM3225-150J	L1691135		1-		
L 8032	M.RFC	22uH			LLM3225-220J	L1691137		1-		
L 8033	M.RFC	15uH			LLM3225-150J	L1691135		1-		
L 8034	M.RFC	1mH			875FU-102M=P3	L1691236		1-		
L 8035	M.RFC	1mH			LAV35VB102J	L1790255		1-		
L 8036	M.RFC	1mH			LAV35VB102J	L1790255		1-		
L 8038	CHIP COIL	5.6uH			LQH32MN5R6K23L	L1690084		1-		
L 8039	CHIP COIL	5.6uH			LQH32MN5R6K23L	L1690084		1-		
L 8040	CHIP COIL	10uH			LQH32MN100K23L	L1690087		1-		
L 8041	CHIP COIL	10uH			LQH32MN100K23L	L1690087		1-		
L 8042	CHIP COIL	10uH			LQH32MN100K23L	L1690087		1-		
L 8050	CHIP COIL	15uH			LQH32MN150K23L	L1690089		1-		
L 8051	CHIP COIL	10uH			LQH32MN100K23L	L1690087		1-		
L 8052	CHIP COIL	10uH			LQH32MN100K23L	L1690087		1-		
L 8053	CHIP COIL	1mH			LQH43MN102K03L	L1690108		1-		
L 8054	CHIP COIL	1mH			LQH43MN102K03L	L1690108		1-		
L 8056	CHIP COIL	100uH			LQH32MN101K23L	L1690099		1-		
L 8057	M.RFC	120uH			RCH-875 121K	L1190396		1-		
L 8058	CHIP COIL	100uH			LQH32MN101K23L	L1690099		1-		
L 8059	CHIP COIL	100uH			LQH32MN101K23L	L1690099		1-		
L 8060	CHIP COIL	100uH			LQH32MN101K23L	L1690099		1-		
L 8061	M.RFC	220uH			LLM3225-221J	L1691149		1-		
L 8062	M.RFC	220uH			LLM3225-221J	L1691149		1-		
P 8001	WIRE ASSY				GRA 300 TMP/TMP	T9318252A		1-		
Q 8001	TRANSISTOR				2SC2714YTE85R	G3327147Y		1-		
Q 8003	FET				3SK131-T2B V12	G4801317B		1-		
Q 8004	FET				SST310-T1	G4070009		1-		
Q 8005	FET				SST310-T1	G4070009		1-		
Q 8006	FET				SST310-T1	G4070009		1-		
Q 8007	FET				SST310-T1	G4070009		1-		

# RX-2 Unit (D, MP Type, RXU-9000)

## Parts List

REF	DESCRIPTION	VALUE	V/W	TOL.	MFR'S DESIG	VXSTD P/N	VERS.	LOT	SIDE	LAY ADR
Q 8008	FET				2SK520-T2B K41	G3805207A		1-		
Q 8009	FET				2SK520-T2B K41	G3805207A		1-		
Q 8010	FET				2SK520-T2B K41	G3805207A		1-		
Q 8011	FET				2SK520-T2B K41	G3805207A		1-		
Q 8012	FET				SST310-T1	G4070009		1-		
Q 8013	FET				SST310-T1	G4070009		1-		
Q 8014	FET				SST310-T1	G4070009		1-		
Q 8015	FET				SST310-T1	G4070009		1-		
Q 8016	FET				SST310-T1	G4070009		1-		
Q 8017	FET				SST310-T1	G4070009		1-		
Q 8018	FET				SST310-T1	G4070009		1-		
Q 8019	FET				SST310-T1	G4070009		1-		
Q 8020	FET				SST310-T1	G4070009		1-		
Q 8021	FET				3SK131-T2B V12	G4801317B		1-		
Q 8022	IC				NJM2125F(TAPE)	G1093894		1-		
Q 8023	TRANSISTOR				2SC4154-T11-1E	G3341548E		1-		
Q 8024	TRANSISTOR				2SC2954-T2	G3329547		1-		
Q 8025	TRANSISTOR				2SC2954-T2	G3329547		1-		
Q 8026	IC				TA75S558F(TE85R)	G1092284		1-		
Q 8027	FET				3SK131-T2B V12	G4801317B		1-		
Q 8028	FET				3SK131-T2B V12	G4801317B		1-		
Q 8029	TRANSISTOR				2SC4154-T11-1E	G3341548E		1-		
Q 8030	TRANSISTOR				2SC4154-T11-1E	G3341548E		1-		
Q 8031	FET				2SK209GR TE85R	G3802097G		1-		
Q 8032	TRANSISTOR				2SC4154-T11-1E	G3341548E		1-		
Q 8033	TRANSISTOR				2SA1602A-T11-1F	G3116028F		1-		
Q 8034	TRANSISTOR				2SA1602A-T11-1F	G3116028F		1-		
Q 8035	TRANSISTOR				2SC4154-T11-1E	G3341548E		1-		
Q 8036	TRANSISTOR				2SC2714YTE85R	G3327147Y		1-		
Q 8037	FET				SST310-T1	G4070009		1-		
Q 8038	FET				SST310-T1	G4070009		1-		
Q 8041	IC				LMH6622MM	G1094189		1-		
Q 8042	IC				BU2505FV-E2	G1093714		1-		
Q 8043	IC				BU2099FV-E2	G1093243		1-		
Q 8044	IC				BU2099FV-E2	G1093243		1-		
Q 8045	IC				BU2099FV-E2	G1093243		1-		
Q 8046	TRANSISTOR				DTB113ZK T146	G3070103		1-		
Q 8047	TRANSISTOR				DTB113ZK T146	G3070103		1-		
Q 8048	TRANSISTOR				DTB113ZK T146	G3070103		1-		
Q 8049	TRANSISTOR				DTB113ZK T146	G3070103		1-		
Q 8050	TRANSISTOR				DTB113ZK T146	G3070103		1-		
Q 8051	TRANSISTOR				DTB113ZK T146	G3070103		1-		
Q 8052	TRANSISTOR				DTB113ZK T146	G3070103		1-		
Q 8053	TRANSISTOR				DTC123JE TL	G3070323		1-		
Q 8054	TRANSISTOR				DTC123JE TL	G3070323		1-		
Q 8055	TRANSISTOR				DTC123JE TL	G3070323		1-		
Q 8056	TRANSISTOR				DTC123JE TL	G3070323		1-		
Q 8057	TRANSISTOR				DTC123JE TL	G3070323		1-		
Q 8058	TRANSISTOR				DTC123JE TL	G3070323		1-		
Q 8059	TRANSISTOR				DTC123JE TL	G3070323		1-		
Q 8060	TRANSISTOR				DTB113ZK T146	G3070103		1-		
Q 8061	TRANSISTOR				DTB113ZK T146	G3070103		1-		
Q 8062	TRANSISTOR				DTB113ZK T146	G3070103		1-		
Q 8063	TRANSISTOR				DTB113ZK T146	G3070103		1-		
Q 8064	TRANSISTOR				DTB113ZK T146	G3070103		1-		
Q 8065	TRANSISTOR				DTB113ZK T146	G3070103		1-		
Q 8066	TRANSISTOR				DTB113ZK T146	G3070103		1-		
Q 8067	TRANSISTOR				DTB113ZK T146	G3070103		1-		
Q 8068	TRANSISTOR				DTB113ZK T146	G3070103		1-		
Q 8069	TRANSISTOR				DTB113ZK T146	G3070103		1-		
Q 8070	TRANSISTOR				DTC114EUA T106	G3070084		1		
Q 8070	TRANSISTOR				DTC123JE TL	G3070323		2-		
Q 8071	TRANSISTOR				2SC4154-T11-1E	G3341548E		1-		
Q 8072	FET				SGM2016AM-T7	G4070012		1-		
Q 8073	FET				SGM2016AM-T7	G4070012		1-		
Q 8074	FET				3SK131-T2B V12	G4801317B		1-		
Q 8075	TRANSISTOR				DTC114EUA T106	G3070084		2-		
R 8001	CHIP RES.	15	1/16W	5%	RMC1/16 150JATP	J24185150		1-		
R 8002	CHIP RES.	120	1/16W	5%	RMC1/16 121JATP	J24185121		1-		
R 8003	CHIP RES.	100	1/16W	5%	RMC1/16 101JATP	J24185101		1-		
R 8004	CHIP RES.	47	1/16W	5%	RMC1/16 470JATP	J24185470		1-		
R 8005	CHIP RES.	100	1/16W	5%	RMC1/16 101JATP	J24185101		1-		
R 8006	CHIP RES.	100	1/16W	5%	RMC1/16 101JATP	J24185101		1-		

# RX-2 Unit (D, MP Type, RXU-9000)

## Parts List

REF	DESCRIPTION	VALUE	V/W	TOL.	MFR'S DESIG	VXSTD P/N	VERS.	LOT	SIDE	LAY ADR
R 8007	CHIP RES.	150	1/16W	5%	RMC1/16 151JATP	J24185151		1-		
R 8008	CHIP RES.	68	1/16W	5%	RMC1/16 680JATP	J24185680		1-		
R 8009	CHIP RES.	100	1/16W	5%	RMC1/16 101JATP	J24185101		1-		
R 8010	CHIP RES.	100	1/16W	5%	RMC1/16 101JATP	J24185101		1-		
R 8011	CHIP RES.	100	1/16W	5%	RMC1/16 101JATP	J24185101		1-		
R 8012	CHIP RES.	330	1/2W	5%	RMC1/2 331JCTP	J24275331		1-		
R 8013	CHIP RES.	100	1/16W	5%	RMC1/16 101JATP	J24185101		1-		
R 8014	CHIP RES.	2.2k	1/16W	5%	RMC1/16 222JATP	J24185222		1-		
R 8015	CHIP RES.	4.7k	1/16W	5%	RMC1/16 472JATP	J24185472		1-		
R 8016	CHIP RES.	4.7k	1/16W	5%	RMC1/16 472JATP	J24185472		1-		
R 8017	CHIP RES.	100	1/16W	5%	RMC1/16 101JATP	J24185101		2-		
R 8018	CHIP RES.	100	1/16W	5%	RMC1/16 101JATP	J24185101		1-		
R 8019	CHIP RES.	68	1/4W	5%	RMC1/4 680JATP	J24245680		1-		
R 8020	CHIP RES.	68	1/4W	5%	RMC1/4 680JATP	J24245680		1-		
R 8021	CHIP RES.	10k	1/16W	5%	RMC1/16 103JATP	J24185103		1-		
R 8022	CHIP RES.	68	1/4W	5%	RMC1/4 680JATP	J24245680		1-		
R 8023	CHIP RES.	68	1/4W	5%	RMC1/4 680JATP	J24245680		1-		
R 8024	CHIP RES.	10k	1/16W	5%	RMC1/16 103JATP	J24185103		1-		
R 8025	CHIP RES.	68	1/4W	5%	RMC1/4 680JATP	J24245680		1-		
R 8026	CHIP RES.	68	1/4W	5%	RMC1/4 680JATP	J24245680		1-		
R 8027	CHIP RES.	10k	1/16W	5%	RMC1/16 103JATP	J24185103		1-		
R 8028	CHIP RES.	68	1/4W	5%	RMC1/4 680JATP	J24245680		1-		
R 8029	CHIP RES.	68	1/4W	5%	RMC1/4 680JATP	J24245680		1-		
R 8030	CHIP RES.	10k	1/16W	5%	RMC1/16 103JATP	J24185103		1-		
R 8031	CHIP RES.	68	1/4W	5%	RMC1/4 680JATP	J24245680		1-		
R 8032	CHIP RES.	68	1/4W	5%	RMC1/4 680JATP	J24245680		1-		
R 8033	CHIP RES.	10k	1/16W	5%	RMC1/16 103JATP	J24185103		1-		
R 8034	CHIP RES.	27	1/16W	5%	RMC1/16 270JATP	J24185270		1-		
R 8035	CHIP RES.	33	1/16W	5%	RMC1/16 330JATP	J24185330		1-		
R 8036	CHIP RES.	27	1/16W	5%	RMC1/16 270JATP	J24185270		1-		
R 8037	CHIP RES.	68	1/4W	5%	RMC1/4 680JATP	J24245680		1-		
R 8038	CHIP RES.	68	1/4W	5%	RMC1/4 680JATP	J24245680		1-		
R 8039	CHIP RES.	10k	1/16W	5%	RMC1/16 103JATP	J24185103		1-		
R 8040	CHIP RES.	33	1/4W	5%	RMC1/4 330JATP	J24245330		1-		
R 8041	CHIP RES.	10k	1/16W	5%	RMC1/16 103JATP	J24185103		1-		
R 8042	CHIP RES.	100	1/16W	5%	RMC1/16 101JATP	J24185101		1-		
R 8043	CHIP RES.	330	1/2W	5%	RMC1/2 331JCTP	J24275331		1-		
R 8044	CHIP RES.	68	1/4W	5%	RMC1/4 680JATP	J24245680		1-		
R 8045	CHIP RES.	330	1/2W	5%	RMC1/2 331JCTP	J24275331		1-		
R 8054	CHIP RES.	68	1/4W	5%	RMC1/4 680JATP	J24245680		1-		
R 8055	CHIP RES.	330	1/2W	5%	RMC1/2 331JCTP	J24275331		1-		
R 8056	CHIP RES.	120k	1/16W	5%	RMC1/16 124JATP	J24185124		1-		
R 8058	CHIP RES.	47k	1/16W	5%	RMC1/16 473JATP	J24185473		1-		
R 8059	CHIP RES.	47	1/16W	5%	RMC1/16 470JATP	J24185470		1-		
R 8060	CHIP RES.	10k	1/16W	5%	RMC1/16 103JATP	J24185103		1-		
R 8061	CHIP RES.	100k	1/16W	5%	RMC1/16 104JATP	J24185104		1-		
R 8062	CHIP RES.	220	1/16W	5%	RMC1/16 221JATP	J24185221		1		
R 8062	CHIP RES.	100	1/16W	5%	RMC1/16 101JATP	J24185101		2-		
R 8063	CHIP RES.	100	1/16W	5%	RMC1/16 101JATP	J24185101		1-		
R 8064	CHIP RES.	68	1/4W	5%	RMC1/4 680JATP	J24245680		1-		
R 8065	CHIP RES.	330	1/2W	5%	RMC1/2 331JCTP	J24275331		1-		
R 8066	CHIP RES.	47	1/4W	5%	RMC1/4 470JATP	J24245470		1-		
R 8067	CHIP RES.	150k	1/16W	5%	RMC1/16 154JATP	J24185154		1		
R 8067	CHIP RES.	100k	1/16W	5%	RMC1/16 104JATP	J24185104		2-		
R 8068	CHIP RES.	100k	1/16W	5%	RMC1/16 104JATP	J24185104		1-		
R 8069	CHIP RES.	15	1/4W	5%	RMC1/4 150JATP	J24245150		1-		
R 8070	CHIP RES.	68	1/4W	5%	RMC1/4 680JATP	J24245680		1-		
R 8071	CHIP RES.	10k	1/16W	5%	RMC1/16 103JATP	J24185103		1-		
R 8072	CHIP RES.	330	1/2W	5%	RMC1/2 331JCTP	J24275331		1-		
R 8073	CHIP RES.	680	1/16W	5%	RMC1/16 681JATP	J24185681		1-		
R 8074	CHIP RES.	680	1/16W	5%	RMC1/16 681JATP	J24185681		1-		
R 8075	CHIP RES.	680	1/16W	5%	RMC1/16 681JATP	J24185681		1-		
R 8076	CHIP RES.	680	1/16W	5%	RMC1/16 681JATP	J24185681		1-		
R 8077	CHIP RES.	10	1/16W	5%	RMC1/16 100JATP	J24185100		1-		
R 8078	CHIP RES.	10	1/16W	5%	RMC1/16 100JATP	J24185100		1-		
R 8079	CHIP RES.	10	1/16W	5%	RMC1/16 100JATP	J24185100		1-		
R 8080	CHIP RES.	10	1/16W	5%	RMC1/16 100JATP	J24185100		1-		
R 8083	CHIP RES.	100	1/16W	5%	RMC1/16 101JATP	J24185101		1-		
R 8084	CHIP RES.	100k	1/16W	5%	RMC1/16 104JATP	J24185104		1-		
R 8085	CHIP RES.	150k	1/16W	5%	RMC1/16 154JATP	J24185154		1-		
R 8086	CHIP RES.	100	1/16W	5%	RMC1/16 101JATP	J24185101		1-		
R 8087	CHIP RES.	330	1/2W	5%	RMC1/2 331JCTP	J24275331		1-		
R 8088	CHIP RES.	330	1/16W	5%	RMC1/16 331JATP	J24185331		1-		

# RX-2 Unit (D, MP Type, RXU-9000)

## Parts List

REF	DESCRIPTION	VALUE	V/W	TOL.	MFR'S DESIG	VXSTD P/N	VERS.	LOT	SIDE	LAY ADR
R 8089	CHIP RES.	330	1/16W	5%	RMC1/16 331JATP	J24185331		1-		
R 8090	CHIP RES.	330	1/16W	5%	RMC1/16 331JATP	J24185331		1-		
R 8091	CHIP RES.	330	1/16W	5%	RMC1/16 331JATP	J24185331		1-		
R 8092	CHIP RES.	0	1/16W	5%	RMC1/16 000JATP	J24185000		1-		
R 8093	CHIP RES.	0	1/16W	5%	RMC1/16 000JATP	J24185000		1-		
R 8094	CHIP RES.	0	1/16W	5%	RMC1/16 000JATP	J24185000		1-		
R 8095	CHIP RES.	0	1/16W	5%	RMC1/16 000JATP	J24185000		1-		
R 8096	CHIP RES.	10	1/16W	5%	RMC1/16 100JATP	J24185100		1-		
R 8097	CHIP RES.	10	1/16W	5%	RMC1/16 100JATP	J24185100		1-		
R 8098	CHIP RES.	10	1/16W	5%	RMC1/16 100JATP	J24185100		1-		
R 8099	CHIP RES.	10	1/16W	5%	RMC1/16 100JATP	J24185100		1-		
R 8102	CHIP RES.	100	1/16W	5%	RMC1/16 101JATP	J24185101		1-		
R 8103	CHIP RES.	100k	1/16W	5%	RMC1/16 104JATP	J24185104		1-		
R 8104	CHIP RES.	150k	1/16W	5%	RMC1/16 154JATP	J24185154		1-		
R 8105	CHIP RES.	0	1/16W	5%	RMC1/16 000JATP	J24185000		1-		
R 8106	CHIP RES.	100k	1/16W	5%	RMC1/16 104JATP	J24185104		1-		
R 8107	CHIP RES.	47	1/16W	5%	RMC1/16 470JATP	J24185470		1-		
R 8108	CHIP RES.	100	1/16W	5%	RMC1/16 101JATP	J24185101		1-		
R 8109	CHIP RES.	680	1/16W	5%	RMC1/16 681JATP	J24185681		1-		
R 8110	CHIP RES.	680	1/16W	5%	RMC1/16 681JATP	J24185681		1-		
R 8111	CHIP RES.	680	1/16W	5%	RMC1/16 681JATP	J24185681		1-		
R 8112	CHIP RES.	680	1/16W	5%	RMC1/16 681JATP	J24185681		1-		
R 8113	CHIP RES.	10	1/16W	5%	RMC1/16 100JATP	J24185100		1-		
R 8114	CHIP RES.	10	1/16W	5%	RMC1/16 100JATP	J24185100		1-		
R 8115	CHIP RES.	10	1/16W	5%	RMC1/16 100JATP	J24185100		1-		
R 8116	CHIP RES.	10	1/16W	5%	RMC1/16 100JATP	J24185100		1-		
R 8118	CHIP RES.	150k	1/16W	5%	RMC1/16 154JATP	J24185154		1-		
R 8119	CHIP RES.	100k	1/16W	5%	RMC1/16 104JATP	J24185104		1-		
R 8121	CHIP RES.	470	1/16W	5%	RMC1/16 471JATP	J24185471		1-		
R 8122	CHIP RES.	470	1/16W	5%	RMC1/16 471JATP	J24185471		1-		
R 8123	CHIP RES.	470	1/16W	5%	RMC1/16 471JATP	J24185471		1-		
R 8124	CHIP RES.	470	1/16W	5%	RMC1/16 471JATP	J24185471		1-		
R 8125	CHIP RES.	10k	1/16W	5%	RMC1/16 103JATP	J24185103		1-		
R 8126	CHIP RES.	100k	1/16W	5%	RMC1/16 104JATP	J24185104		1-		
R 8127	CHIP RES.	100k	1/16W	5%	RMC1/16 104JATP	J24185104		1-		
R 8128	CHIP RES.	47	1/16W	5%	RMC1/16 470JATP	J24185470		1		
R 8128	CHIP RES.	0	1/16W	5%	RMC1/16 000JATP	J24185000		2-		
R 8129	CHIP RES.	470k	1/16W	5%	RMC1/16 474JATP	J24185474		1-		
R 8130	CHIP RES.	150	1/16W	5%	RMC1/16 151JATP	J24185151		1-		
R 8131	CHIP RES.	4.7k	1/16W	5%	RMC1/16 472JATP	J24185472		1-		
R 8132	CHIP RES.	100	1/16W	5%	RMC1/16 101JATP	J24185101		1-		
R 8133	CHIP RES.	100	1/16W	5%	RMC1/16 101JATP	J24185101		1-		
R 8134	CHIP RES.	3.3k	1/16W	5%	RMC1/16 332JATP	J24185332		1-		
R 8135	CHIP RES.	1k	1/16W	5%	RMC1/16 102JATP	J24185102		1-		
R 8136	CHIP RES.	10k	1/16W	5%	RMC1/16 103JATP	J24185103		1-		
R 8137	CHIP RES.	100	1/16W	5%	RMC1/16 101JATP	J24185101		1-		
R 8138	CHIP RES.	33k	1/16W	5%	RMC1/16 333JATP	J24185333		1-		
R 8139	CHIP RES.	1k	1/16W	5%	RMC1/16 102JATP	J24185102		1-		
R 8140	CHIP RES.	10	1/16W	5%	RMC1/16 100JATP	J24185100		1-		
R 8141	CHIP RES.	68	1/10W	5%	RMC1/10T 680J	J24205680		1-		
R 8142	CHIP RES.	100	1/4W	5%	RMC1/4 101JATP	J24245101		1		
R 8143	CHIP RES.	1k	1/16W	5%	RMC1/16 102JATP	J24185102		1-		
R 8144	CHIP RES.	470	1/16W	5%	RMC1/16 471JATP	J24185471		1		
R 8144	CHIP RES.	330	1/16W	5%	RMC1/16 331JATP	J24185331		2-		
R 8145	CHIP RES.	3.3k	1/16W	5%	RMC1/16 332JATP	J24185332		1-		
R 8146	CHIP RES.	0	1/16W	5%	RMC1/16 000JATP	J24185000		1-		
R 8148	CHIP RES.	22	1/16W	5%	RMC1/16 220JATP	J24185220		1-		
R 8149	CHIP RES.	3.3k	1/16W	5%	RMC1/16 332JATP	J24185332		1-		
R 8150	CHIP RES.	1k	1/16W	5%	RMC1/16 102JATP	J24185102		1-		
R 8151	CHIP RES.	3.3k	1/16W	5%	RMC1/16 332JATP	J24185332		1-		
R 8152	CHIP RES.	0	1/16W	5%	RMC1/16 000JATP	J24185000		1-		
R 8153	CHIP RES.	47	1/16W	5%	RMC1/16 470JATP	J24185470		1-		
R 8154	CHIP RES.	33	1/16W	5%	RMC1/16 330JATP	J24185330		1-		
R 8155	CHIP RES.	33	1/16W	5%	RMC1/16 330JATP	J24185330		1-		
R 8156	CHIP RES.	330	1/16W	5%	RMC1/16 331JATP	J24185331		1-		
R 8157	CHIP RES.	1k	1/16W	5%	RMC1/16 102JATP	J24185102		1-		
R 8158	CHIP RES.	68	1/10W	5%	RMC1/10T 680J	J24205680		1-		
R 8159	CHIP RES.	100	1/4W	5%	RMC1/4 101JATP	J24245101		1-		
R 8160	CHIP RES.	10	1/16W	5%	RMC1/16 100JATP	J24185100		1-		
R 8162	CHIP RES.	470k	1/16W	5%	RMC1/16 474JATP	J24185474		1-		
R 8166	CHIP RES.	0	1/16W	5%	RMC1/16 000JATP	J24185000		1-		
R 8167	CHIP RES.	0	1/16W	5%	RMC1/16 000JATP	J24185000		1-		
R 8168	CHIP RES.	0	1/16W	5%	RMC1/16 000JATP	J24185000		1-		

# RX-2 Unit (D, MP Type, RXU-9000)

## Parts List

REF	DESCRIPTION	VALUE	V/W	TOL.	MFR'S DESIG	VXSTD P/N	VERS.	LOT	SIDE	LAY ADR
R 8169	CHIP RES.	0	1/16W	5%	RMC1/16 000JATP	J24185000		1-		
R 8170	CHIP RES.	100k	1/16W	5%	RMC1/16 104JATP	J24185104		1-		
R 8171	CHIP RES.	0	1/16W	5%	RMC1/16 000JATP	J24185000		1-		
R 8172	CHIP RES.	0	1/16W	5%	RMC1/16 000JATP	J24185000		1-		
R 8173	CHIP RES.	0	1/16W	5%	RMC1/16 000JATP	J24185000		1-		
R 8174	CHIP RES.	100k	1/16W	5%	RMC1/16 104JATP	J24185104		1-		
R 8175	CHIP RES.	100k	1/16W	5%	RMC1/16 104JATP	J24185104		1-		
R 8176	CHIP RES.	100k	1/16W	5%	RMC1/16 104JATP	J24185104		1-		
R 8177	CHIP RES.	1k	1/16W	5%	RMC1/16 102JATP	J24185102		1-		
R 8178	CHIP RES.	100k	1/16W	5%	RMC1/16 104JATP	J24185104		1-		
R 8179	CHIP RES.	330k	1/16W	5%	RMC1/16 334JATP	J24185334		1-		
R 8180	CHIP RES.	1k	1/16W	5%	RMC1/16 102JATP	J24185102		1-		
R 8181	CHIP RES.	150k	1/16W	5%	RMC1/16 154JATP	J24185154		1-		
R 8182	CHIP RES.	10k	1/16W	5%	RMC1/16 103JATP	J24185103		1-		
R 8183	CHIP RES.	220	1/16W	5%	RMC1/16 221JATP	J24185221		1-		
R 8184	CHIP RES.	10k	1/16W	5%	RMC1/16 103JATP	J24185103		1-		
R 8185	CHIP RES.	100	1/16W	5%	RMC1/16 101JATP	J24185101		1-		
R 8186	CHIP RES.	10k	1/16W	5%	RMC1/16 103JATP	J24185103		1-		
R 8187	CHIP RES.	150k	1/16W	5%	RMC1/16 154JATP	J24185154		1-		
R 8188	CHIP RES.	1k	1/16W	5%	RMC1/16 102JATP	J24185102		1-		
R 8189	CHIP RES.	220	1/16W	5%	RMC1/16 221JATP	J24185221		1-		
R 8190	CHIP RES.	10k	1/16W	5%	RMC1/16 103JATP	J24185103		1-		
R 8191	CHIP RES.	100	1/16W	5%	RMC1/16 101JATP	J24185101		1-		
R 8192	CHIP RES.	100k	1/16W	5%	RMC1/16 104JATP	J24185104		1-		
R 8193	CHIP RES.	100	1/16W	5%	RMC1/16 101JATP	J24185101		1-		
R 8194	CHIP RES.	1k	1/16W	5%	RMC1/16 102JATP	J24185102		1-		
R 8195	CHIP RES.	68k	1/16W	5%	RMC1/16 683JATP	J24185683		1-		
R 8196	CHIP RES.	47k	1/16W	5%	RMC1/16 473JATP	J24185473		1-		
R 8197	CHIP RES.	150k	1/16W	5%	RMC1/16 154JATP	J24185154		1-		
R 8198	CHIP RES.	68k	1/16W	5%	RMC1/16 683JATP	J24185683		1-		
R 8199	CHIP RES.	100k	1/16W	5%	RMC1/16 104JATP	J24185104		1-		
R 8200	CHIP RES.	1k	1/16W	5%	RMC1/16 102JATP	J24185102		1		
R 8200	CHIP RES.	150k	1/16W	5%	RMC1/16 154JATP	J24185154		2-		
R 8201	CHIP RES.	330	1/16W	5%	RMC1/16 331JATP	J24185331		1		
R 8201	CHIP RES.	22k	1/16W	5%	RMC1/16 223JATP	J24185223		2-		
R 8202	CHIP RES.	10k	1/16W	5%	RMC1/16 103JATP	J24185103		1		
R 8202	CHIP RES.	150k	1/16W	5%	RMC1/16 154JATP	J24185154		2-		
R 8203	CHIP RES.	1k	1/16W	5%	RMC1/16 102JATP	J24185102		1		
R 8203	CHIP RES.	22k	1/16W	5%	RMC1/16 223JATP	J24185223		2-		
R 8204	CHIP RES.	10k	1/16W	5%	RMC1/16 103JATP	J24185103		1-		
R 8205	CHIP RES.	100k	1/16W	5%	RMC1/16 104JATP	J24185104		1-		
R 8206	CHIP RES.	100k	1/16W	5%	RMC1/16 104JATP	J24185104		1-		
R 8207	CHIP RES.	10k	1/16W	5%	RMC1/16 103JATP	J24185103		1-		
R 8209	CHIP RES.	33k	1/16W	5%	RMC1/16 333JATP	J24185333		1-		
R 8210	CHIP RES.	10k	1/16W	5%	RMC1/16 103JATP	J24185103		1-		
R 8211	CHIP RES.	470	1/16W	5%	RMC1/16 471JATP	J24185471		1-		
R 8212	CHIP RES.	100	1/16W	5%	RMC1/16 101JATP	J24185101		1-		
R 8214	CHIP RES.	470	1/16W	5%	RMC1/16 471JATP	J24185471		1-		
R 8215	CHIP RES.	470	1/16W	5%	RMC1/16 471JATP	J24185471		1-		
R 8216	CHIP RES.	100k	1/16W	5%	RMC1/16 104JATP	J24185104		1-		
R 8217	CHIP RES.	150k	1/16W	5%	RMC1/16 154JATP	J24185154		1-		
R 8218	CHIP RES.	470	1/16W	5%	RMC1/16 471JATP	J24185471		1-		
R 8219	CHIP RES.	470	1/16W	5%	RMC1/16 471JATP	J24185471		1-		
R 8220	CHIP RES.	100	1/16W	5%	RMC1/16 101JATP	J24185101		1-		
R 8221	CHIP RES.	470	1/16W	5%	RMC1/16 471JATP	J24185471		1-		
R 8222	CHIP RES.	560	1/16W	5%	RMC1/16 561JATP	J24185561		1-		
R 8223	CHIP RES.	2.2k	1/16W	5%	RMC1/16 222JATP	J24185222		1-		
R 8224	CHIP RES.	4.7k	1/16W	5%	RMC1/16 472JATP	J24185472		1-		
R 8225	CHIP RES.	1k	1/16W	5%	RMC1/16 102JATP	J24185102		1-		
R 8237	CHIP RES.	10k	1/16W	5%	RMC1/16 103JATP	J24185103		1-		
R 8238	CHIP RES.	10k	1/16W	5%	RMC1/16 103JATP	J24185103		1-		
R 8239	CHIP RES.	22	1/16W	5%	RMC1/16 220JATP	J24185220		1-		
R 8241	CHIP RES.	10k	1/16W	5%	RMC1/16 103JATP	J24185103		1-		
R 8244	CHIP RES.	68k	1/16W	5%	RMC1/16 683JATP	J24185683		1-		
R 8246	CHIP RES.	10k	1/16W	5%	RMC1/16 103JATP	J24185103		1-		
R 8247	CHIP RES.	10k	1/16W	5%	RMC1/16 103JATP	J24185103		1-		
R 8248	CHIP RES.	10k	1/16W	5%	RMC1/16 103JATP	J24185103		1-		
R 8249	CHIP RES.	10k	1/16W	5%	RMC1/16 103JATP	J24185103		1-		
R 8250	CHIP RES.	10k	1/16W	5%	RMC1/16 103JATP	J24185103		1-		
R 8251	CHIP RES.	10k	1/16W	5%	RMC1/16 103JATP	J24185103		1-		
R 8252	CHIP RES.	10k	1/16W	5%	RMC1/16 103JATP	J24185103		1-		
R 8253	CHIP RES.	10k	1/16W	5%	RMC1/16 103JATP	J24185103		1-		
R 8254	CHIP RES.	10k	1/16W	5%	RMC1/16 103JATP	J24185103		1-		

# RX-2 Unit (D, MP Type, RXU-9000)

## Parts List

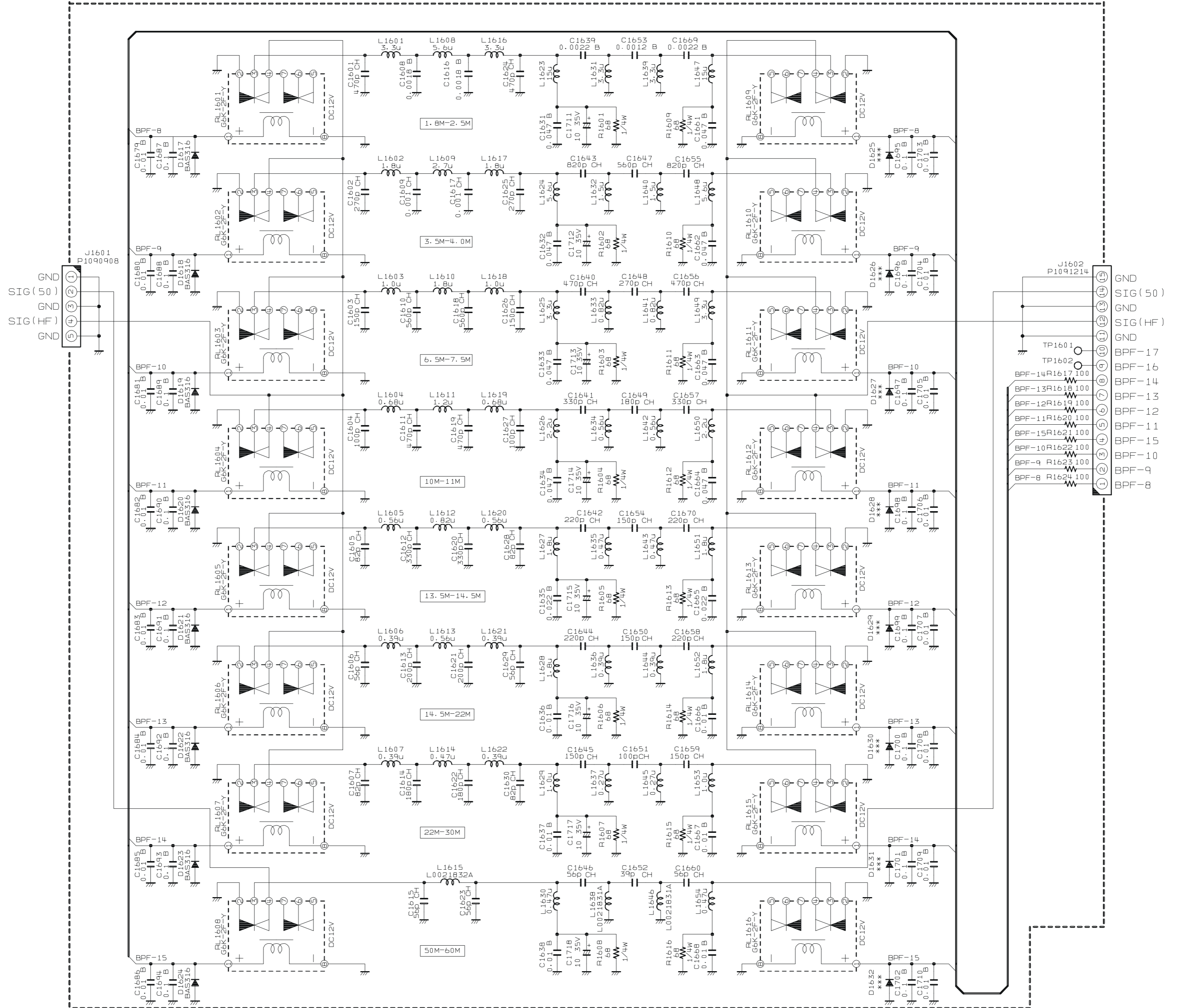
REF	DESCRIPTION	VALUE	V/W	TOL.	MFR'S DESIG	VXSTD P/N	VERS.	LOT	SIDE	LAY ADR
R 8255	CHIP RES.	10k	1/16W	5%	RMC1/16 103JATP	J24185103		1-		
R 8256	CHIP RES.	10k	1/16W	5%	RMC1/16 103JATP	J24185103		1-		
R 8257	CHIP RES.	10k	1/16W	5%	RMC1/16 103JATP	J24185103		1-		
R 8258	CHIP RES.	10k	1/16W	5%	RMC1/16 103JATP	J24185103		1-		
R 8259	CHIP RES.	10k	1/16W	5%	RMC1/16 103JATP	J24185103		1-		
R 8260	CHIP RES.	10k	1/16W	5%	RMC1/16 103JATP	J24185103		1-		
R 8261	CHIP RES.	10k	1/16W	5%	RMC1/16 103JATP	J24185103		1-		
R 8262	CHIP RES.	10k	1/16W	5%	RMC1/16 103JATP	J24185103		1-		
R 8263	CHIP RES.	10k	1/16W	5%	RMC1/16 103JATP	J24185103		1-		
R 8264	CHIP RES.	10k	1/16W	5%	RMC1/16 103JATP	J24185103		1-		
R 8265	CHIP RES.	10k	1/16W	5%	RMC1/16 103JATP	J24185103		1-		
R 8267	CHIP RES.	100	1/16W	5%	RMC1/16 101JATP	J24185101		1-		
R 8268	CHIP RES.	3.3k	1/16W	5%	RMC1/16 332JATP	J24185332		1-		
R 8269	CHIP RES.	100	1/16W	5%	RMC1/16 101JATP	J24185101		1-		
R 8270	CHIP RES.	100	1/16W	5%	RMC1/16 101JATP	J24185101		1-		
R 8271	CHIP RES.	100	1/16W	5%	RMC1/16 101JATP	J24185101		1-		
R 8272	CHIP RES.	100	1/16W	5%	RMC1/16 101JATP	J24185101		1-		
R 8273	CHIP RES.	4.7k	1/16W	5%	RMC1/16 472JATP	J24185472		1-		
R 8274	CHIP RES.	470	1/16W	5%	RMC1/16 471JATP	J24185471		1-		
R 8275	CHIP RES.	68k	1/16W	5%	RMC1/16 683JATP	J24185683		1		
R 8275	CHIP RES.	6.8k	1/16W	5%	RMC1/16 682JATP	J24185682		2-		
R 8276	CHIP RES.	33k	1/16W	5%	RMC1/16 333JATP	J24185333		1-		
R 8277	CHIP RES.	100	1/16W	5%	RMC1/16 101JATP	J24185101		1-		
R 8278	CHIP RES.	470	1/4W	5%	RMC1/4 471JATP	J24245471		1-		
R 8280	CHIP RES.	18k	1/16W	5%	RMC1/16 183JATP	J24185183		1-		
R 8281	CHIP RES.	10	1/16W	5%	RMC1/16 100JATP	J24185100		1-		
R 8283	CHIP RES.	47	1/16W	5%	RMC1/16 470JATP	J24185470		1-		
R 8284	CHIP RES.	100k	1/16W	5%	RMC1/16 104JATP	J24185104		1-		
R 8285	CHIP RES.	10k	1/16W	5%	RMC1/16 103JATP	J24185103		1-		
R 8286	CHIP RES.	47	1/16W	5%	RMC1/16 470JATP	J24185470		1-		
R 8287	CHIP RES.	100k	1/16W	5%	RMC1/16 104JATP	J24185104		1-		
R 8288	CHIP RES.	1k	1/16W	5%	RMC1/16 102JATP	J24185102		1-		
R 8289	CHIP RES.	56	1/16W	5%	RMC1/16 560JATP	J24185560		1-		
R 8290	CHIP RES.	56	1/16W	5%	RMC1/16 560JATP	J24185560		1-		
R 8291	CHIP RES.	3.3k	1/16W	5%	RMC1/16 332JATP	J24185332		1-		
R 8292	CHIP RES.	150	1/16W	5%	RMC1/16 151JATP	J24185151		1-		
R 8296	CHIP RES.	220	1/16W	5%	RMC1/16 221JATP	J24185221		1		
R 8296	CHIP RES.	100	1/16W	5%	RMC1/16 101JATP	J24185101		2-		
R 8297	CHIP RES.	47	1/16W	5%	RMC1/16 470JATP	J24185470		1-		
R 8298	CHIP RES.	100k	1/16W	5%	RMC1/16 104JATP	J24185104		1-		
R 8299	CHIP RES.	22k	1/16W	5%	RMC1/16 223JATP	J24185223		1-		
R 8300	CHIP RES.	100	1/16W	5%	RMC1/16 101JATP	J24185101		1-		
R 8301	CHIP RES.	0	1/16W	5%	RMC1/16 000JATP	J24185000		1-		
R 8303	CARBON FILM RES.	220k	1/6W	5%	RD16TPJ224 220K	J07225224		1		
R 8303	CHIP RES.	220k	1/16W	5%	RMC1/16 224JATP	J24185224		2-		
R 8304	CHIP RES.	22k	1/16W	5%	RMC1/16 223JATP	J24185223		1-		
R 8305	CHIP RES.	10k	1/16W	5%	RMC1/16 103JATP	J24185103		1-		
R 8306	CHIP RES.	0	1/16W	5%	RMC1/16 000JATP	J24185000		1		
R 8307	CHIP RES.	10k	1/16W	5%	RMC1/16 103JATP	J24185103		2-		
R 8308	CARBON FILM RES.	1.2k	1/6W	5%	RD16TPJ122 1.2K	J07225122		2-		
R 8308	CHIP RES.	1.2k	1/16W	5%	RMC1/16 122JATP	J24185122		4-		
R 8309	CHIP RES.	470	1/16W	5%	RMC1/16S 471JTH	J24189021		1-		
R 8309	CHIP RES.	470	1/16W	5%	RMC1/16 471JATP	J24185471		4-		
R 8310	CHIP RES.	0	1/16W	5%	RMC1/16 000JATP	J24185000		2-		
R 8311	CHIP RES.	470	1/16W	5%	RMC1/16 471JATP	J24185471		4-		
R 8312	CHIP RES.	470	1/16W	5%	RMC1/16 471JATP	J24185471		4-		
R 8313	CHIP RES.	470	1/16W	5%	RMC1/16 471JATP	J24185471		4-		
R 8314	CHIP RES.	470	1/16W	5%	RMC1/16 471JATP	J24185471		4-		
R 8315	CHIP RES.	470	1/16W	5%	RMC1/16 471JATP	J24185471		4-		
R 8316	CHIP RES.	2.2k	1/16W	5%	RMC1/16 222JATP	J24185222		3-		
R 8317	CARBON FILM RES.	3.3k	1/6W	5%	RD16PJ332 3.3K	J01225332		2-		
RL8001	RELAY		DC12V		G6K-2F-Y-TR DC12V	M1190183		1-		
RL8002	RELAY		DC12V		G6K-2F-Y-TR DC12V	M1190183		1-		
RL8003	RELAY		DC12V		G6K-2F-Y-TR DC12V	M1190183		1-		
RL8004	RELAY		DC12V		G6K-2F-Y-TR DC12V	M1190183		1-		
RL8005	RELAY		DC12V		G6K-2F-Y-TR DC12V	M1190183		1-		
RL8006	RELAY		DC12V		G6K-2F-Y-TR DC12V	M1190183		1-		
RL8007	RELAY		DC12V		G6K-2F-Y-TR DC12V	M1190183		1-		
RL8008	RELAY		DC12V		G6K-2F-Y-TR DC12V	M1190183		1-		
RL8009	RELAY		DC12V		G6K-2F-Y-TR DC12V	M1190183		1-		
RL8010	RELAY		DC12V		G6J-2P-Y DC12V	M1190190		1-		
RL8011	RELAY		DC12V		G6J-2P-Y DC12V	M1190190		1-		
RL8012	RELAY		DC12V		G6J-2P-Y DC12V	M1190190		1-		

# RX-2 Unit (D, MP Type, RXU-9000)

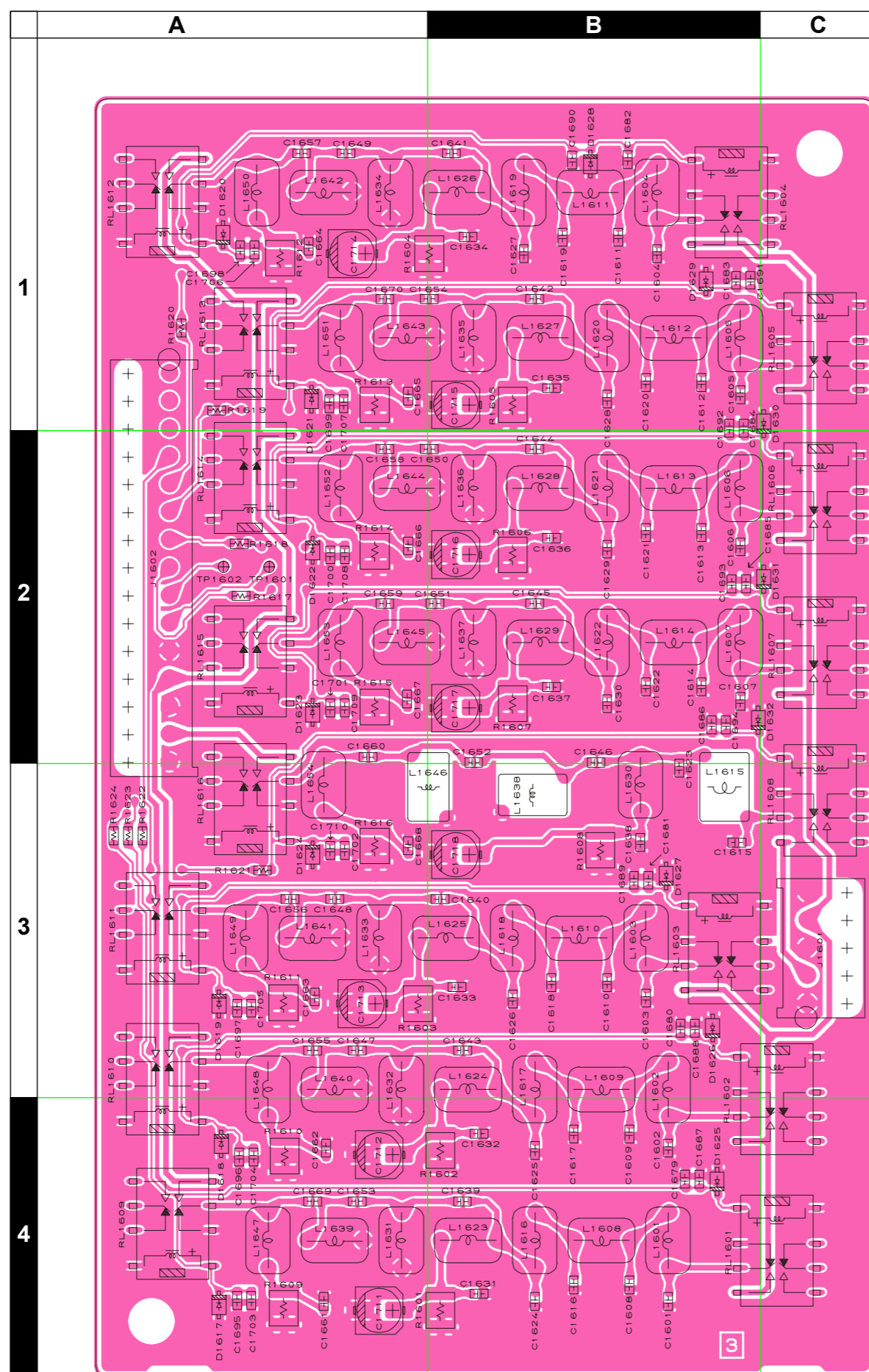
## Parts List

REF	DESCRIPTION	VALUE	V/W	TOL.	MFR'S DESIG	VXSTD P/N	VERS.	LOT	SIDE	LAY ADR
RL8013	RELAY		DC12V		G6J-2P-Y DC12V	M1190190		1-		
T 8001	COIL 07RF	160MHz			160M R12-K905X	L0022053		1-		
T 8004	COIL 07WIDE				4-1 2D3 TR6X3	L0020788A		1-		
T 8005	COIL 07WIDE				4-1 2D3 TR6X3	L0020788A		1-		
T 8006	COIL 07WIDE				2001F	L0021974		1-		
T 8007	COIL 07WIDE				2001F	L0021973		1-		
T 8008	COIL 07WIDE				4-1 2D3 TR6X3	L0020788A		1-		
T 8009	COIL 07WIDE				4-1 2D3 TR6X3	L0020788A		1-		
T 8010	COIL WIDE-TRANS.				4-1 3A	L0021462		1-		
T 8011	COIL 07WIDE				4-1 2D3 TR6X3	L0020788A		1-		
T 8012	COIL 07WIDE				4-1 2D3 TR6X3	L0020788A		1-		
T 8013	COIL WIDE-TRANS.				4-1 3A	L0021462		1-		
T 8014	COIL 07WIDE				4-1 2D3 TR6X3	L0020788A		1-		
T 8015	COIL 07RF	73.62MHz			73.62M R12-J757A	L0021957		1-		
T 8016	COIL WIDE-TRANS.				4-1 3A	L0021462		1-		
T 8017	COIL 07RF	40.455MHz			M7-T1 R-12W083A	L0022920		1-		
T 8018	COIL 07RF	40.455MHz			M7-T1 R-12W083A	L0022920		1-		
T 8019	COIL 07RF	40.455MHz			#223229	L0022919		1-		
T 8020	COIL 07RF	40.455MHz			#223229	L0022919		1-		
T 8021	COIL 07RF	40.455MHz			M7-T1 R-12W081A	L0022918		1-		
T 8022	COIL 07RF	40.455MHz			M7-T1 R-12W081A	L0022918		1-		
T 8023	COIL 07RF	47.1MHz			47.1M R12-M411A	L0021225		1-		
T 8024	COIL 07WIDE				4-1 2D3 TR6X3	L0020788A		1-		
T 8025	COIL 07WIDE				4-1 2D3 TR6X3	L0020788A		1-		
T 8026	COIL 07RF	47MHz			47.0M	L0021546		1-		
T 8027	COIL RF				R12°7947C	L0020422		1-		
T 8028	COIL RF				R12°7947C	L0020422		1-		
T 8029	COIL 07RF	40.455MHz			M7-T1 R-12W084A	L0022921		1-		
T 8030	COIL 07RF	455kHz			#223227	L0022917		1-		
T 8031	COIL RF				R12°7935A	L0020421		1-		
T 8032	COIL 07RF	455kHz			K7-H5 R-12W085A	L0022922		1-		
T 8034	COIL 07WIDE				1-1 3ATR	L0021933		1-		
T 8035	COIL 07WIDE				1-1 3ATR	L0021933		1-		
T 8036	COIL 07WIDE				4-1 2D3 TR6X3	L0020788A		1-		
T 8037	COIL 07WIDE				4-1 2D3 TR6X3	L0020788A		1-		
T 8038	COIL RF				R12°7935A	L0020421		1-		
T 8039	COIL 07WIDE				#223028	L0022721		1-		
T 8040	COIL 07WIDE				#223028	L0022721		1-		
TC8002	TRIMMER CAP.	30pF			ECR-JA030E11X	K91000253		1-		
TH8001	THERMISTOR				157-102-53012TP	G9090071		1-		
TP8001	CHECK TERMINAL				RCT00000C	Q5000103		1-		
TP8002	CHECK TERMINAL				RCT00000C	Q5000103		1-		
TP8003	CHECK TERMINAL				RCT00000C	Q5000103		1-		
TP8004	CHECK TERMINAL				RCT00000C	Q5000103		1-		
TP8005	CHECK TERMINAL				RCT00000C	Q5000103		1-		
TP8027	CHECK TERMINAL				RCT00000C	Q5000103		1-		
VR8001	POT.	470			RH03A3AS2X 470	J51807471		1		
VR8001	POT.	470			EVN-5ESX50BQ2	J51811471		2-		
VR8006	POT.	4.7k			RH03A3AS3X 4.7K	J51807472		1-		
VR8007	POT.	4.7k			RH03A3AS3X 4.7K	J51807472		1-		
VR8008	POT.	10k			EVN-5ESX50B14	J51811103		1-		
XF8001	XTAL FILTER				MFT40R3 40.450MHz 15kHz	H1102383		1-		
XF8002	XTAL FILTER				MFT40L2 40.450MHz 6kHz	H1102384		1-		
XF8003	XTAL FILTER				MFT40F2 40.450MHz 3kHz	H1102385		1-		

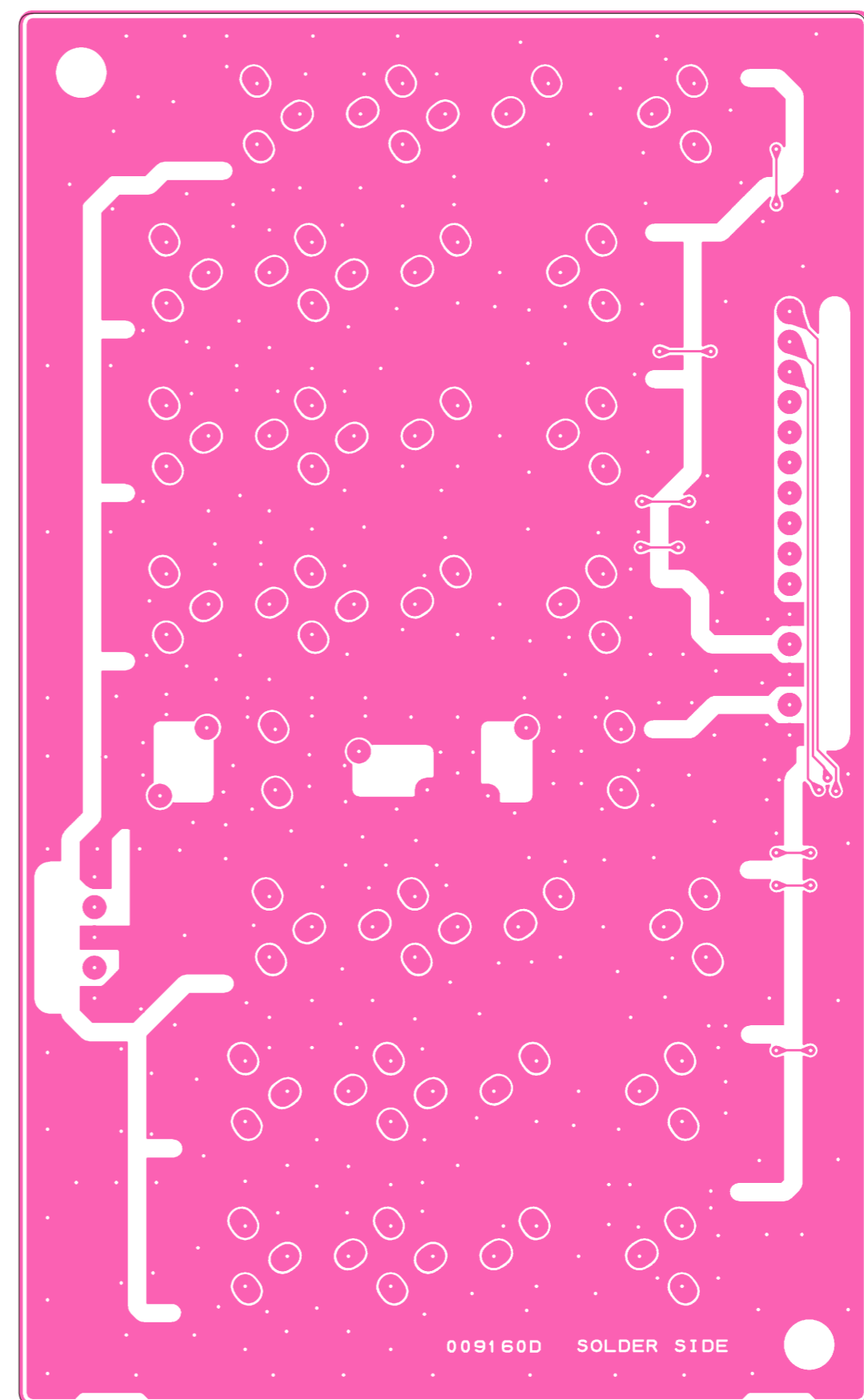








Side A



Side B



# BPF-1 Unit

## Parts List

REF	DESCRIPTION	VALUE	V/W	TOL.	MFR'S DESIG	VXSTD P/N	VERS.	LOT	SIDE	LAY ADR	
PCB with Components						CB2244001					
Printed Circuit Board						FR0091600			1-		
C 1601	CHIP CAP.	470pF	50V	CH	GRM1882C1H471JA01D	K22174249		1-	A	B4	
C 1602	CHIP CAP.	270pF	50V	CH	GRM1882C1H271JA01D	K22174251		1-	A	B4	
C 1603	CHIP CAP.	150pF	50V	CH	GRM1882C1H151JA01D	K22174239		1-	A	B3	
C 1604	CHIP CAP.	100pF	50V	CH	GRM1882C1H101JA01D	K22174235		1-	A	B1	
C 1605	CHIP CAP.	82pF	50V	CH	GRM1882C1H820JA01D	K22174233		1-	A	B1	
C 1606	CHIP CAP.	56pF	50V	CH	GRM1882C1H560JA01D	K22174229		1-	A	B2	
C 1607	CHIP CAP.	82pF	50V	CH	GRM1882C1H820JA01D	K22174233		1-	A	B2	
C 1608	CHIP CAP.	0.0018uF	50V	B	GRM188B11H182KA01D	K22174812		1-	A	B4	
C 1609	CHIP CAP.	0.001uF	25V	CH	GRM1882C1E102JA01D	K22144204		1-	A	B4	
C 1610	CHIP CAP.	560pF	25V	CH	GRM39CH561J25PT	K22144201		1-	A	B3	
C 1611	CHIP CAP.	470pF	50V	CH	GRM1882C1H471JA01D	K22174249		1-	A	B1	
C 1612	CHIP CAP.	330pF	50V	CH	GRM1882C1H331JA01D	K22174253		1-	A	B1	
C 1613	CHIP CAP.	200pF	50V	CH	GRM1882C1H201JA01D	K22174242		1-	A	B2	
C 1614	CHIP CAP.	180pF	50V	CH	GRM1882C1H181JA01D	K22174241		1-	A	B2	
C 1615	CHIP CAP.	56pF	50V	CH	GRM1882C1H560JA01D	K22174229		1-	A	B3	
C 1616	CHIP CAP.	0.0018uF	50V	B	GRM188B11H182KA01D	K22174812		1-	A	B4	
C 1617	CHIP CAP.	0.001uF	25V	CH	GRM1882C1E102JA01D	K22144204		1-	A	B4	
C 1618	CHIP CAP.	560pF	25V	CH	GRM39CH561J25PT	K22144201		1-	A	B3	
C 1619	CHIP CAP.	470pF	50V	CH	GRM1882C1H471JA01D	K22174249		1-	A	B1	
C 1620	CHIP CAP.	330pF	50V	CH	GRM1882C1H331JA01D	K22174253		1-	A	B1	
C 1621	CHIP CAP.	200pF	50V	CH	GRM1882C1H201JA01D	K22174242		1-	A	B2	
C 1622	CHIP CAP.	180pF	50V	CH	GRM1882C1H181JA01D	K22174241		1-	A	B2	
C 1623	CHIP CAP.	56pF	50V	CH	GRM1882C1H560JA01D	K22174229		1-	A	B3	
C 1624	CHIP CAP.	470pF	50V	CH	GRM1882C1H471JA01D	K22174249		1-	A	B4	
C 1625	CHIP CAP.	270pF	50V	CH	GRM1882C1H271JA01D	K22174251		1-	A	B4	
C 1626	CHIP CAP.	150pF	50V	CH	GRM1882C1H151JA01D	K22174239		1-	A	B3	
C 1627	CHIP CAP.	100pF	50V	CH	GRM1882C1H101JA01D	K22174235		1-	A	B1	
C 1628	CHIP CAP.	82pF	50V	CH	GRM1882C1H820JA01D	K22174233		1-	A	B1	
C 1629	CHIP CAP.	56pF	50V	CH	GRM1882C1H560JA01D	K22174229		1-	A	B2	
C 1630	CHIP CAP.	82pF	50V	CH	GRM1882C1H820JA01D	K22174233		1-	A	B2	
C 1631	CHIP CAP.	0.047uF	16V	B	GRM39B473K16PT	K22124804		1-	A	B4	
C 1632	CHIP CAP.	0.047uF	16V	B	GRM39B473K16PT	K22124804		1-	A	B4	
C 1633	CHIP CAP.	0.047uF	16V	B	GRM39B473K16PT	K22124804		1-	A	B3	
C 1634	CHIP CAP.	0.047uF	16V	B	GRM39B473K16PT	K22124804		1-	A	B1	
C 1635	CHIP CAP.	0.022uF	25V	B	GRM39B223K25PT	K22144807		1-	A	B1	
C 1636	CHIP CAP.	0.01uF	50V	B	GRM188B11H103KA01D	K22174823		1-	A	B2	
C 1637	CHIP CAP.	0.01uF	50V	B	GRM188B11H103KA01D	K22174823		1-	A	B2	
C 1638	CHIP CAP.	0.01uF	50V	B	GRM188B11H103KA01D	K22174823		1-	A	B3	
C 1639	CHIP CAP.	0.0022uF	50V	B	GRM188B11H222KA01D	K22174822		1-	A	B4	
C 1640	CHIP CAP.	470pF	50V	CH	GRM1882C1H471JA01D	K22174249		1-	A	B3	
C 1641	CHIP CAP.	330pF	50V	CH	GRM1882C1H331JA01D	K22174253		1-	A	B1	
C 1642	CHIP CAP.	220pF	50V	CH	GRM1882C1H221JA01D	K22174243		1-	A	B1	
C 1643	CHIP CAP.	820pF	25V	CH	GRM1882C1E821JA01D	K22144202		1-	A	B3	
C 1644	CHIP CAP.	220pF	50V	CH	GRM1882C1H221JA01D	K22174243		1-	A	B2	
C 1645	CHIP CAP.	150pF	50V	CH	GRM1882C1H151JA01D	K22174239		1-	A	B2	
C 1646	CHIP CAP.	56pF	50V	CH	GRM1882C1H560JA01D	K22174229		1-	A	B2	
C 1647	CHIP CAP.	560pF	25V	CH	GRM39CH561J25PT	K22144201		1-	A	A3	
C 1648	CHIP CAP.	270pF	50V	CH	GRM1882C1H271JA01D	K22174251		1-	A	A3	
C 1649	CHIP CAP.	180pF	50V	CH	GRM1882C1H181JA01D	K22174241		1-	A	A1	
C 1650	CHIP CAP.	150pF	50V	CH	GRM1882C1H151JA01D	K22174239		1-	A	B2	
C 1651	CHIP CAP.	100pF	50V	CH	GRM1882C1H101JA01D	K22174235		1-	A	B2	
C 1652	CHIP CAP.	39pF	50V	CH	GRM1882C1H390JA01D	K22174225		1-	A	B2	
C 1653	CHIP CAP.	0.0012uF	50V	B	GRM188B11H122KA01D	K22174826		1-	A	A4	
C 1654	CHIP CAP.	150pF	50V	CH	GRM1882C1H151JA01D	K22174239		1-	A	B1	
C 1655	CHIP CAP.	820pF	25V	CH	GRM1882C1E821JA01D	K22144202		1-	A	A3	
C 1656	CHIP CAP.	470pF	50V	CH	GRM1882C1H471JA01D	K22174249		1-	A	A3	
C 1657	CHIP CAP.	330pF	50V	CH	GRM1882C1H331JA01D	K22174253		1-	A	A1	
C 1658	CHIP CAP.	220pF	50V	CH	GRM1882C1H221JA01D	K22174243		1-	A	A2	
C 1659	CHIP CAP.	150pF	50V	CH	GRM1882C1H151JA01D	K22174239		1-	A	A2	
C 1660	CHIP CAP.	56pF	50V	CH	GRM1882C1H560JA01D	K22174229		1-	A	A2	
C 1661	CHIP CAP.	0.047uF	16V	B	GRM39B473K16PT	K22124804		1-	A	A4	
C 1662	CHIP CAP.	0.047uF	16V	B	GRM39B473K16PT	K22124804		1-	A	A4	
C 1663	CHIP CAP.	0.047uF	16V	B	GRM39B473K16PT	K22124804		1-	A	A3	
C 1664	CHIP CAP.	0.047uF	16V	B	GRM39B473K16PT	K22124804		1-	A	A1	
C 1665	CHIP CAP.	0.022uF	25V	B	GRM39B223K25PT	K22144807		1-	A	A1	
C 1666	CHIP CAP.	0.01uF	50V	B	GRM188B11H103KA01D	K22174823		1-	A	A2	
C 1667	CHIP CAP.	0.01uF	50V	B	GRM188B11H103KA01D	K22174823		1-	A	A2	
C 1668	CHIP CAP.	0.01uF	50V	B	GRM188B11H103KA01D	K22174823		1-	A	A3	
C 1669	CHIP CAP.	0.0022uF	50V	B	GRM188B11H222KA01D	K22174822		1-	A	A4	
C 1670	CHIP CAP.	220pF	50V	CH	GRM1882C1H221JA01D	K22174243		1-	A	A1	
C 1671	AL.ELECTRO.CAP.	10uF	35V		ECEV1VA100WR	K48160004		1	A	A4	

# BPF-1 Unit

## Parts List

REF	DESCRIPTION	VALUE	V/W	TOL.	MFR'S DESIG	VXSTD P/N	VERS.	LOT	SIDE	LAY ADR
C 1672	AL.ELECTRO.CAP.	10uF	35V		ECEV1VA100WR	K48160004		1	A	A4
C 1673	AL.ELECTRO.CAP.	10uF	35V		ECEV1VA100WR	K48160004		1	A	A3
C 1674	AL.ELECTRO.CAP.	10uF	35V		ECEV1VA100WR	K48160004		1	A	A1
C 1675	AL.ELECTRO.CAP.	10uF	35V		ECEV1VA100WR	K48160004		1	A	B1
C 1676	AL.ELECTRO.CAP.	10uF	35V		ECEV1VA100WR	K48160004		1	A	B2
C 1677	AL.ELECTRO.CAP.	10uF	35V		ECEV1VA100WR	K48160004		1	A	B2
C 1678	AL.ELECTRO.CAP.	10uF	35V		ECEV1VA100WR	K48160004		1	A	B3
C 1679	CHIP CAP.	0.01uF	50V	B	GRM188B11H103KA01D	K22174823		1-	A	B4
C 1680	CHIP CAP.	0.01uF	50V	B	GRM188B11H103KA01D	K22174823		1-	A	B3
C 1681	CHIP CAP.	0.01uF	50V	B	GRM188B11H103KA01D	K22174823		1-	A	B3
C 1682	CHIP CAP.	0.01uF	50V	B	GRM188B11H103KA01D	K22174823		1-	A	B1
C 1683	CHIP CAP.	0.01uF	50V	B	GRM188B11H103KA01D	K22174823		1-	A	B1
C 1684	CHIP CAP.	0.01uF	50V	B	GRM188B11H103KA01D	K22174823		1-	A	B1
C 1685	CHIP CAP.	0.01uF	50V	B	GRM188B11H103KA01D	K22174823		1-	A	B2
C 1686	CHIP CAP.	0.01uF	50V	B	GRM188B11H103KA01D	K22174823		1-	A	B2
C 1687	CHIP CAP.	0.1uF	16V	B	GRM188B11C104KA01D	K22124805		1-	A	B4
C 1688	CHIP CAP.	0.1uF	16V	B	GRM188B11C104KA01D	K22124805		1-	A	B3
C 1689	CHIP CAP.	0.1uF	16V	B	GRM188B11C104KA01D	K22124805		1-	A	B3
C 1690	CHIP CAP.	0.1uF	16V	B	GRM188B11C104KA01D	K22124805		1-	A	B1
C 1691	CHIP CAP.	0.1uF	16V	B	GRM188B11C104KA01D	K22124805		1-	A	B1
C 1692	CHIP CAP.	0.1uF	16V	B	GRM188B11C104KA01D	K22124805		1-	A	B1
C 1693	CHIP CAP.	0.1uF	16V	B	GRM188B11C104KA01D	K22124805		1-	A	B2
C 1694	CHIP CAP.	0.1uF	16V	B	GRM188B11C104KA01D	K22124805		1-	A	B2
C 1695	CHIP CAP.	0.1uF	16V	B	GRM188B11C104KA01D	K22124805		1-	A	A4
C 1696	CHIP CAP.	0.1uF	16V	B	GRM188B11C104KA01D	K22124805		1-	A	A4
C 1697	CHIP CAP.	0.1uF	16V	B	GRM188B11C104KA01D	K22124805		1-	A	A3
C 1698	CHIP CAP.	0.1uF	16V	B	GRM188B11C104KA01D	K22124805		1-	A	A1
C 1699	CHIP CAP.	0.1uF	16V	B	GRM188B11C104KA01D	K22124805		1-	A	A1
C 1700	CHIP CAP.	0.1uF	16V	B	GRM188B11C104KA01D	K22124805		1-	A	A2
C 1701	CHIP CAP.	0.1uF	16V	B	GRM188B11C104KA01D	K22124805		1-	A	A2
C 1702	CHIP CAP.	0.1uF	16V	B	GRM188B11C104KA01D	K22124805		1-	A	A3
C 1703	CHIP CAP.	0.01uF	50V	B	GRM188B11H103KA01D	K22174823		1-	A	A4
C 1704	CHIP CAP.	0.01uF	50V	B	GRM188B11H103KA01D	K22174823		1-	A	A4
C 1705	CHIP CAP.	0.01uF	50V	B	GRM188B11H103KA01D	K22174823		1-	A	A3
C 1706	CHIP CAP.	0.01uF	50V	B	GRM188B11H103KA01D	K22174823		1-	A	A1
C 1707	CHIP CAP.	0.01uF	50V	B	GRM188B11H103KA01D	K22174823		1-	A	A1
C 1708	CHIP CAP.	0.01uF	50V	B	GRM188B11H103KA01D	K22174823		1-	A	A2
C 1709	CHIP CAP.	0.01uF	50V	B	GRM188B11H103KA01D	K22174823		1-	A	A2
C 1710	CHIP CAP.	0.01uF	50V	B	GRM188B11H103KA01D	K22174823		1-	A	A3
C 1711	AL.ELECTRO.CAP.	10uF	35V		ECEV1VA100WR	K48160004		2-	A	A4
C 1712	AL.ELECTRO.CAP.	10uF	35V		ECEV1VA100WR	K48160004		2-	A	A4
C 1713	AL.ELECTRO.CAP.	10uF	35V		ECEV1VA100WR	K48160004		2-	A	A3
C 1714	AL.ELECTRO.CAP.	10uF	35V		ECEV1VA100WR	K48160004		2-	A	A1
C 1715	AL.ELECTRO.CAP.	10uF	35V		ECEV1VA100WR	K48160004		2-	A	B1
C 1716	AL.ELECTRO.CAP.	10uF	35V		ECEV1VA100WR	K48160004		2-	A	B2
C 1717	AL.ELECTRO.CAP.	10uF	35V		ECEV1VA100WR	K48160004		2-	A	B2
C 1718	AL.ELECTRO.CAP.	10uF	35V		ECEV1VA100WR	K48160004		2-	A	B3
D 1617	DIODE				BAS316	G2070716		1-	A	A4
D 1618	DIODE				BAS316	G2070716		1-	A	A4
D 1619	DIODE				BAS316	G2070716		1-	A	A3
D 1620	DIODE				BAS316	G2070716		1-	A	A1
D 1621	DIODE				BAS316	G2070716		1-	A	A1
D 1622	DIODE				BAS316	G2070716		1-	A	A2
D 1623	DIODE				BAS316	G2070716		1-	A	A2
D 1624	DIODE				BAS316	G2070716		1-	A	A3
J 1601	CONNECTOR				IMSA-9133S-05D	P1090908		1-	A	C3
J 1602	CONNECTOR				IMSA-9133S-15D	P1091214		1-	A	A1
L 1601	M.RFC	3.3uH			LAV35VB3R3K	L1790225		1-	A	B4
L 1602	M.RFC	1.8uH			LAV35VB1R8K	L1790222		1-	A	B4
L 1603	M.RFC	1uH			LAV35VB1R0K	L1790219		1-	A	B3
L 1604	M.RFC	0.68uH			LAV35VBR68M	L1790217		1-	A	B1
L 1605	M.RFC	0.56uH			LAV35VBR56M	L1790216		1-	A	B1
L 1606	M.RFC	0.39uH			LAV35VBR39M	L1790214		1-	A	B2
L 1607	M.RFC	0.39uH			LAV35VBR39M	L1790214		1-	A	B2
L 1608	M.RFC	5.6uH			LAV35VB5R6K	L1790228		1-	A	B4
L 1609	M.RFC	2.7uH			LAV35VB2R7K	L1790224		1-	A	B3
L 1610	M.RFC	1.8uH			LAV35VB1R8K	L1790222		1-	A	B3
L 1611	M.RFC	1.2uH			LAV35VB1R2K	L1790220		1-	A	B1
L 1612	M.RFC	0.82uH			LAV35VBR82M	L1790218		1-	A	B1
L 1613	M.RFC	0.56uH			LAV35VBR56M	L1790216		1-	A	B2
L 1614	M.RFC	0.47uH			LAV35VBR47M	L1790215		1-	A	B2
L 1615	COIL A1				5.5T5.0D0.6UEW R	L0021832A		1-	A	B3
L 1616	M.RFC	3.3uH			LAV35VB3R3K	L1790225		1-	A	B4

# BPF-1 Unit

## Parts List

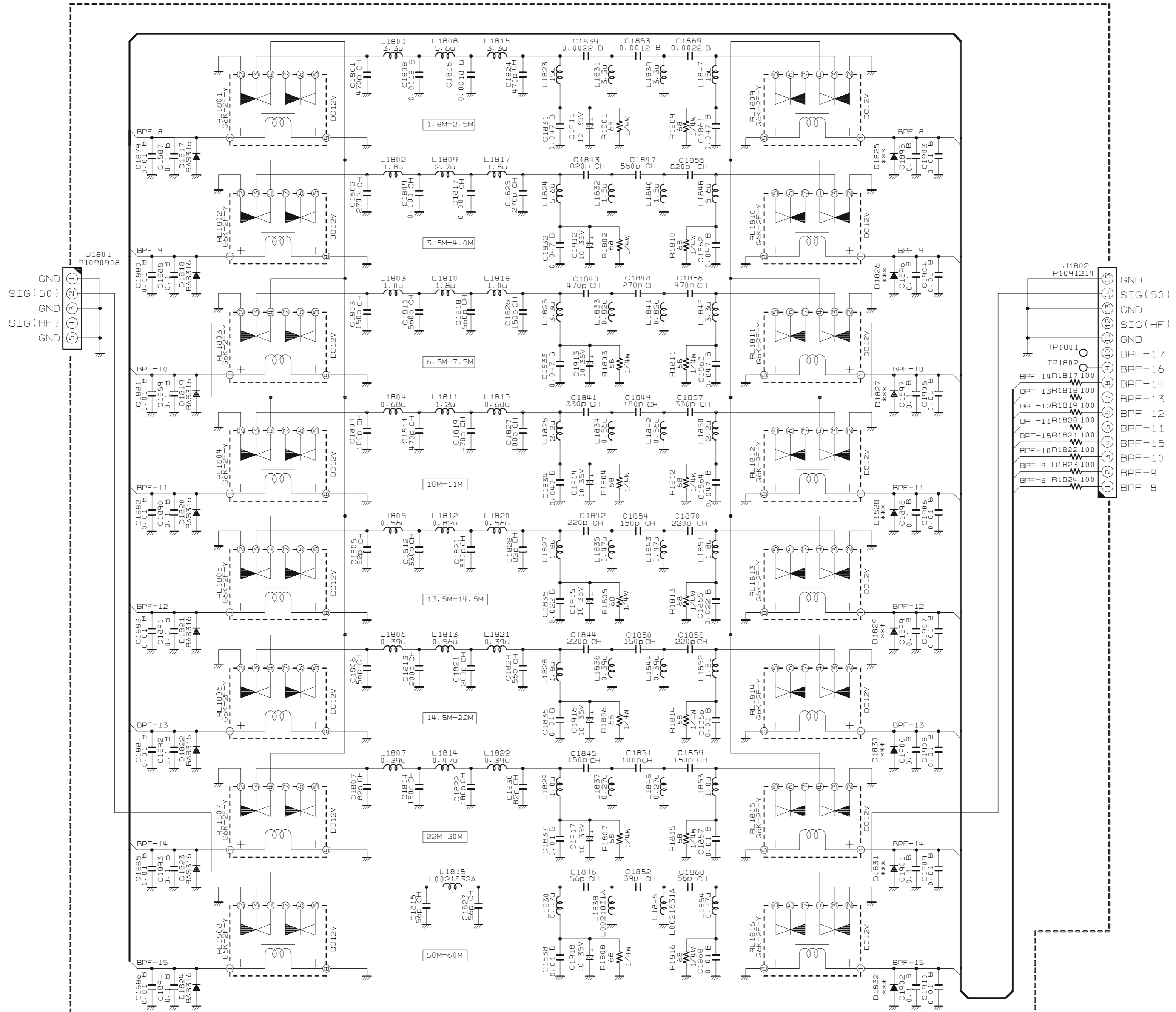
REF	DESCRIPTION	VALUE	V/W	TOL.	MFR'S DESIG	VXSTD P/N	VERS.	LOT	SIDE	LAY ADR
L 1617	M.RFC	1.8uH			LAV35VB1R8K	L1790222		1-	A	B3
L 1618	M.RFC	1uH			LAV35VB1R0K	L1790219		1-	A	B3
L 1619	M.RFC	0.68uH			LAV35VBR68M	L1790217		1-	A	B1
L 1620	M.RFC	0.56uH			LAV35VBR56M	L1790216		1-	A	B1
L 1621	M.RFC	0.39uH			LAV35VBR39M	L1790214		1-	A	B2
L 1622	M.RFC	0.39uH			LAV35VBR39M	L1790214		1-	A	B2
L 1623	M.RFC	15uH			LAV35VB150K	L1790233		1-	A	B4
L 1624	M.RFC	5.6uH			LAV35VB5R6K	L1790228		1-	A	B3
L 1625	M.RFC	3.3uH			LAV35VB3R3K	L1790225		1-	A	A3
L 1626	M.RFC	2.2uH			LAV35VB2R2K	L1790223		1-	A	B1
L 1627	M.RFC	1.8uH			LAV35VB1R8K	L1790222		1-	A	B1
L 1628	M.RFC	1.8uH			LAV35VB1R8K	L1790222		1-	A	B2
L 1629	M.RFC	1uH			LAV35VB1R0K	L1790219		1-	A	B2
L 1630	M.RFC	0.47uH			LAV35VBR47M	L1790215		1-	A	B3
L 1631	M.RFC	3.3uH			LAV35VB3R3K	L1790225		1-	A	A4
L 1632	M.RFC	1.5uH			LAV35VB1R5K	L1790221		1-	A	A4
L 1633	M.RFC	0.82uH			LAV35VBR82M	L1790218		1-	A	A3
L 1634	M.RFC	0.56uH			LAV35VBR56M	L1790216		1-	A	A1
L 1635	M.RFC	0.47uH			LAV35VBR47M	L1790215		1-	A	B1
L 1636	M.RFC	0.39uH			LAV35VBR39M	L1790214		1-	A	B2
L 1637	M.RFC	0.27uH			LAV35VBR27M	L1790212		1-	A	B2
L 1638	COIL A1				4.5T5.0D0.6UEW R	L0021831A		1-	A	B3
L 1639	M.RFC	3.3uH			LAV35VB3R3K	L1790225		1-	A	A4
L 1640	M.RFC	1.5uH			LAV35VB1R5K	L1790221		1-	A	A3
L 1641	M.RFC	0.82uH			LAV35VBR82M	L1790218		1-	A	A3
L 1642	M.RFC	0.56uH			LAV35VBR56M	L1790216		1-	A	A1
L 1643	M.RFC	0.47uH			LAV35VBR47M	L1790215		1-	A	B1
L 1644	M.RFC	0.39uH			LAV35VBR39M	L1790214		1-	A	B2
L 1645	M.RFC	0.27uH			LAV35VBR27M	L1790212		1-	A	B2
L 1646	COIL A1				4.5T5.0D0.6UEW R	L0021831A		1-	A	B3
L 1647	M.RFC	15uH			LAV35VB150K	L1790233		1-	A	A4
L 1648	M.RFC	5.6uH			LAV35VB5R6K	L1790228		1-	A	A4
L 1649	M.RFC	3.3uH			LAV35VB3R3K	L1790225		1-	A	A3
L 1650	M.RFC	2.2uH			LAV35VB2R2K	L1790223		1-	A	A1
L 1651	M.RFC	1.8uH			LAV35VB1R8K	L1790222		1-	A	A1
L 1652	M.RFC	1.8uH			LAV35VB1R8K	L1790222		1-	A	A2
L 1653	M.RFC	1uH			LAV35VB1R0K	L1790219		1-	A	A2
L 1654	M.RFC	0.47uH			LAV35VBR47M	L1790215		1-	A	A3
R 1601	CARBON FILM RES.	68	1/6W	5%	RD16TPJ680 68	J07225680		1	A	B4
R 1601	CHIP RES.	68	1/4W	5%	RMC1/4 680JATP	J24245680		2-	A	B4
R 1602	CARBON FILM RES.	68	1/6W	5%	RD16TPJ680 68	J07225680		1	A	B4
R 1602	CHIP RES.	68	1/4W	5%	RMC1/4 680JATP	J24245680		2-	A	B4
R 1603	CARBON FILM RES.	68	1/6W	5%	RD16TPJ680 68	J07225680		1	A	A3
R 1603	CHIP RES.	68	1/4W	5%	RMC1/4 680JATP	J24245680		2-	A	A3
R 1604	CARBON FILM RES.	68	1/6W	5%	RD16TPJ680 68	J07225680		1	A	B1
R 1604	CHIP RES.	68	1/4W	5%	RMC1/4 680JATP	J24245680		2-	A	B1
R 1605	CARBON FILM RES.	68	1/6W	5%	RD16TPJ680 68	J07225680		1	A	B1
R 1605	CHIP RES.	68	1/4W	5%	RMC1/4 680JATP	J24245680		2-	A	B1
R 1606	CARBON FILM RES.	68	1/6W	5%	RD16TPJ680 68	J07225680		1	A	B2
R 1606	CHIP RES.	68	1/4W	5%	RMC1/4 680JATP	J24245680		2-	A	B2
R 1607	CARBON FILM RES.	68	1/6W	5%	RD16TPJ680 68	J07225680		1	A	B2
R 1607	CHIP RES.	68	1/4W	5%	RMC1/4 680JATP	J24245680		2-	A	B2
R 1608	CARBON FILM RES.	68	1/6W	5%	RD16TPJ680 68	J07225680		1	A	B3
R 1608	CHIP RES.	68	1/4W	5%	RMC1/4 680JATP	J24245680		2-	A	B3
R 1609	CHIP RES.	68	1/4W	5%	RMC1/4 680JATP	J24245680		1-	A	A4
R 1610	CHIP RES.	68	1/4W	5%	RMC1/4 680JATP	J24245680		1-	A	A4
R 1611	CHIP RES.	68	1/4W	5%	RMC1/4 680JATP	J24245680		1-	A	A3
R 1612	CHIP RES.	68	1/4W	5%	RMC1/4 680JATP	J24245680		1-	A	A1
R 1613	CHIP RES.	68	1/4W	5%	RMC1/4 680JATP	J24245680		1-	A	A1
R 1614	CHIP RES.	68	1/4W	5%	RMC1/4 680JATP	J24245680		1-	A	A2
R 1615	CHIP RES.	68	1/4W	5%	RMC1/4 680JATP	J24245680		1-	A	A2
R 1616	CHIP RES.	68	1/4W	5%	RMC1/4 680JATP	J24245680		1-	A	A3
R 1617	CHIP RES.	100	1/16W	5%	RMC1/16 101JATP	J24185101		1-	A	A2
R 1618	CHIP RES.	100	1/16W	5%	RMC1/16 101JATP	J24185101		1-	A	A2
R 1619	CHIP RES.	100	1/16W	5%	RMC1/16 101JATP	J24185101		1-	A	A1
R 1620	CHIP RES.	100	1/16W	5%	RMC1/16 101JATP	J24185101		1-	A	A1
R 1621	CHIP RES.	100	1/16W	5%	RMC1/16 101JATP	J24185101		1-	A	A3
R 1622	CHIP RES.	100	1/16W	5%	RMC1/16 101JATP	J24185101		1-	A	A3
R 1623	CHIP RES.	100	1/16W	5%	RMC1/16 101JATP	J24185101		1-	A	A3
R 1624	CHIP RES.	100	1/16W	5%	RMC1/16 101JATP	J24185101		1-	A	A3
RL1601	RELAY		DC12V		G6K-2F-Y-TR DC12V	M1190183		1-	A	C4
RL1602	RELAY		DC12V		G6K-2F-Y-TR DC12V	M1190183		1-	A	C4
RL1603	RELAY		DC12V		G6K-2F-Y-TR DC12V	M1190183		1-	A	B3

# BPF-1 Unit

## Parts List

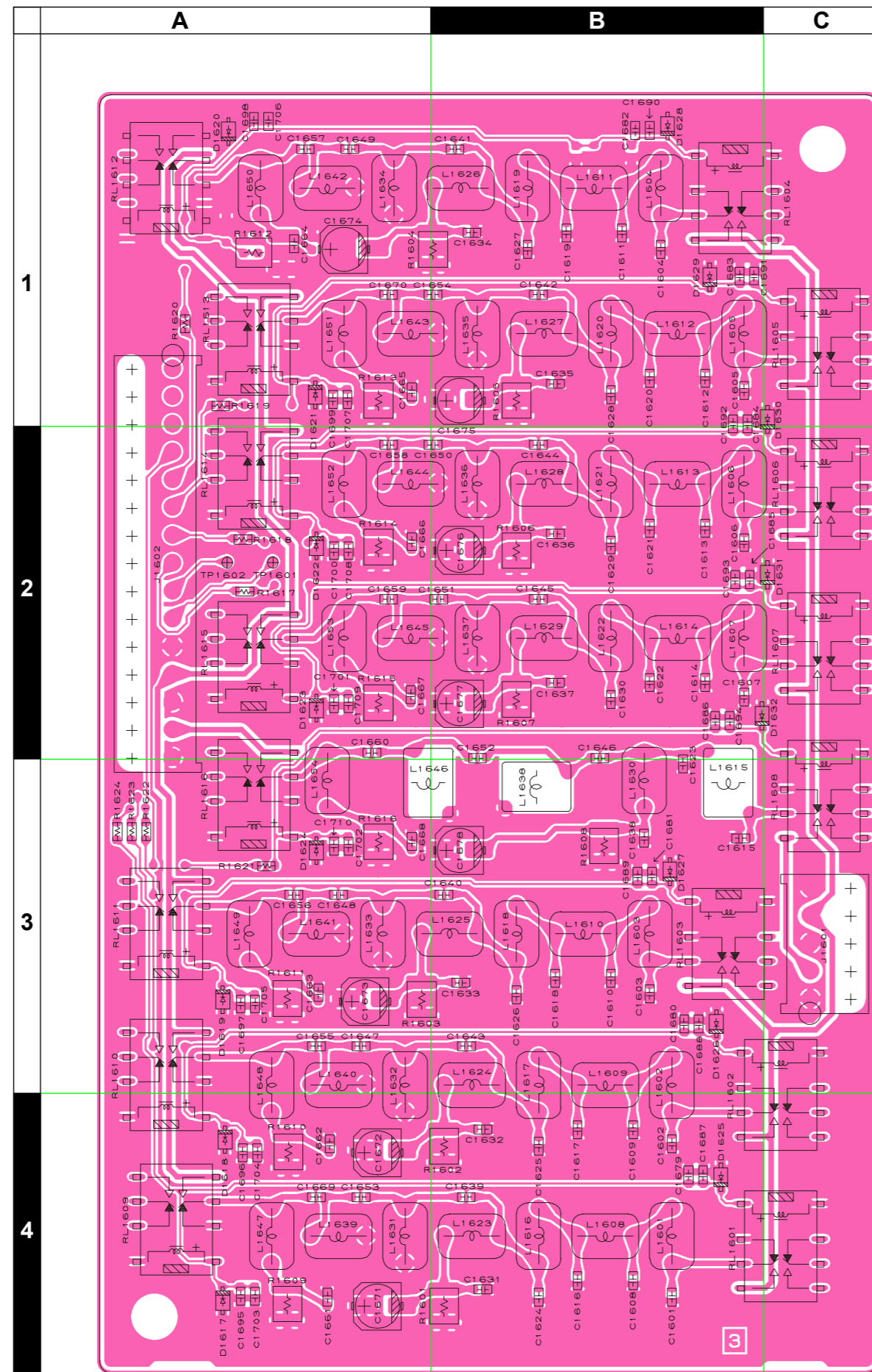
REF	DESCRIPTION	VALUE	V/W	TOL.	MFR'S DESIG	VXSTD P/N	VERS.	LOT	SIDE	LAY ADR
RL1604	RELAY		DC12V		G6K-2F-Y-TR DC12V	M1190183		1-	A	B1
RL1605	RELAY		DC12V		G6K-2F-Y-TR DC12V	M1190183		1-	A	C1
RL1606	RELAY		DC12V		G6K-2F-Y-TR DC12V	M1190183		1-	A	C2
RL1607	RELAY		DC12V		G6K-2F-Y-TR DC12V	M1190183		1-	A	C2
RL1608	RELAY		DC12V		G6K-2F-Y-TR DC12V	M1190183		1-	A	C3
RL1609	RELAY		DC12V		G6K-2F-Y-TR DC12V	M1190183		1-	A	A4
RL1610	RELAY		DC12V		G6K-2F-Y-TR DC12V	M1190183		1-	A	A3
RL1611	RELAY		DC12V		G6K-2F-Y-TR DC12V	M1190183		1-	A	A3
RL1612	RELAY		DC12V		G6K-2F-Y-TR DC12V	M1190183		1-	A	A1
RL1613	RELAY		DC12V		G6K-2F-Y-TR DC12V	M1190183		1-	A	A1
RL1614	RELAY		DC12V		G6K-2F-Y-TR DC12V	M1190183		1-	A	A2
RL1615	RELAY		DC12V		G6K-2F-Y-TR DC12V	M1190183		1-	A	A2
RL1616	RELAY		DC12V		G6K-2F-Y-TR DC12V	M1190183		1-	A	A3



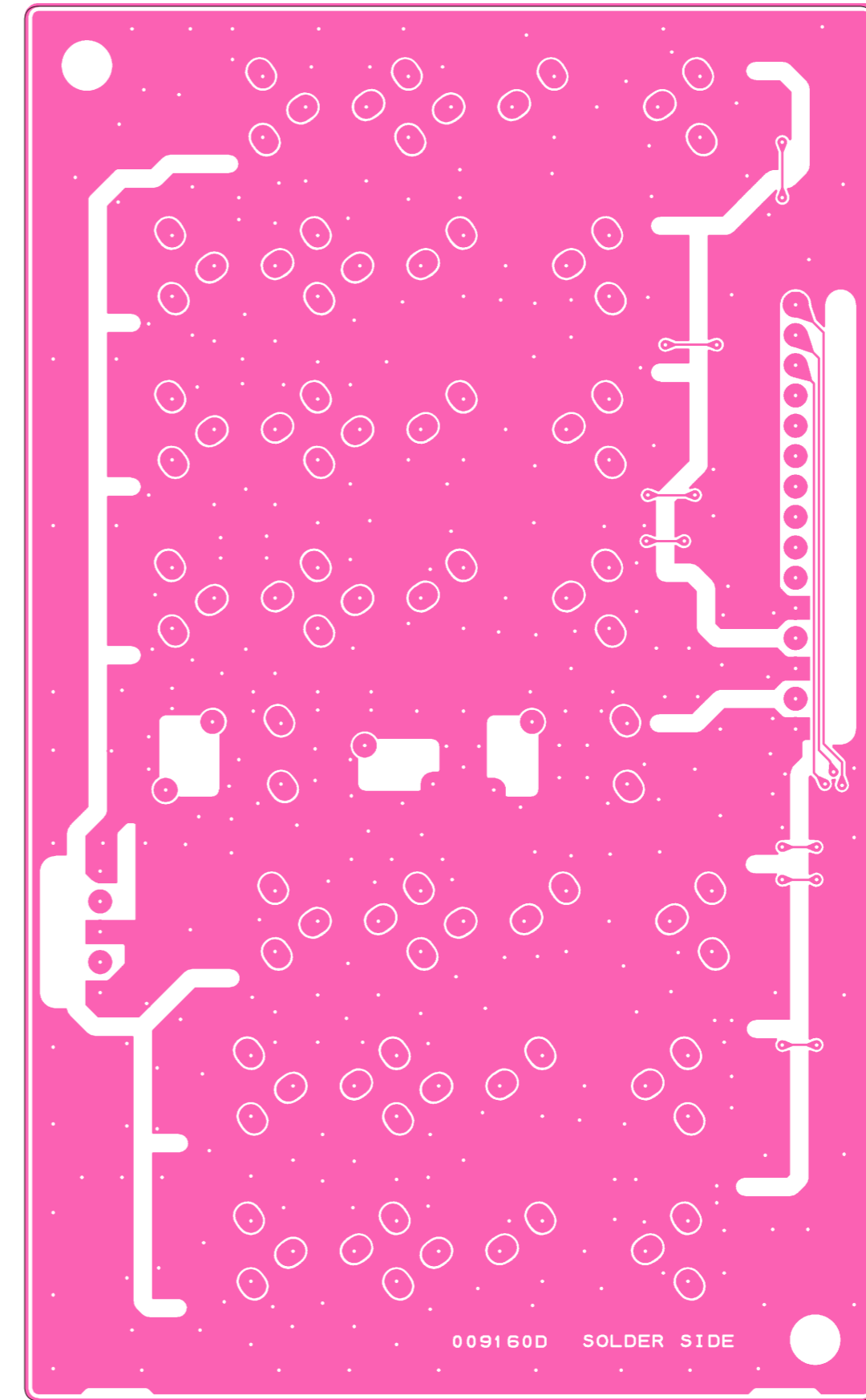


***BPF-2 Unit (D, MP Type, RXU-9000)***

*Note*



Side A



Side B

***BPF-2 Unit (D, MP Type, RXU-9000)***

*Note*

# BPF-2 Unit (D, MP Type, RXU-9000)

## Parts List

REF	DESCRIPTION	VALUE	V/W	TOL.	MFR'S DESIG	VXSTD P/N	VERS.	LOT	SIDE	LAY ADR	
PCB with Components						CB3092001					
Printed Circuit Board						FR0091600			1-		
C 1801	CHIP CAP.	470pF	50V	CH	GRM1882C1H471JA01D	K22174249		1-			
C 1802	CHIP CAP.	270pF	50V	CH	GRM1882C1H271JA01D	K22174251		1-			
C 1803	CHIP CAP.	150pF	50V	CH	GRM1882C1H151JA01D	K22174239		1-			
C 1804	CHIP CAP.	100pF	50V	CH	GRM1882C1H101JA01D	K22174235		1-			
C 1805	CHIP CAP.	82pF	50V	CH	GRM1882C1H820JA01D	K22174233		1-			
C 1806	CHIP CAP.	56pF	50V	CH	GRM1882C1H560JA01D	K22174229		1-			
C 1807	CHIP CAP.	82pF	50V	CH	GRM1882C1H820JA01D	K22174233		1-			
C 1808	CHIP CAP.	0.0018uF	50V	B	GRM188B11H182KA01D	K22174812		1-			
C 1809	CHIP CAP.	0.001uF	25V	CH	GRM1882C1E102JA01D	K22144204		1-			
C 1810	CHIP CAP.	560pF	25V	CH	GRM39CH561J25PT	K22144201		1-			
C 1811	CHIP CAP.	470pF	50V	CH	GRM1882C1H471JA01D	K22174249		1-			
C 1812	CHIP CAP.	330pF	50V	CH	GRM1882C1H331JA01D	K22174253		1-			
C 1813	CHIP CAP.	200pF	50V	CH	GRM1882C1H201JA01D	K22174242		1-			
C 1814	CHIP CAP.	180pF	50V	CH	GRM1882C1H181JA01D	K22174241		1-			
C 1815	CHIP CAP.	56pF	50V	CH	GRM1882C1H560JA01D	K22174229		1-			
C 1816	CHIP CAP.	0.0018uF	50V	B	GRM188B11H182KA01D	K22174812		1-			
C 1817	CHIP CAP.	0.001uF	25V	CH	GRM1882C1E102JA01D	K22144204		1-			
C 1818	CHIP CAP.	560pF	25V	CH	GRM39CH561J25PT	K22144201		1-			
C 1819	CHIP CAP.	470pF	50V	CH	GRM1882C1H471JA01D	K22174249		1-			
C 1820	CHIP CAP.	330pF	50V	CH	GRM1882C1H331JA01D	K22174253		1-			
C 1821	CHIP CAP.	200pF	50V	CH	GRM1882C1H201JA01D	K22174242		1-			
C 1822	CHIP CAP.	180pF	50V	CH	GRM1882C1H181JA01D	K22174241		1-			
C 1823	CHIP CAP.	56pF	50V	CH	GRM1882C1H560JA01D	K22174229		1-			
C 1824	CHIP CAP.	470pF	50V	CH	GRM1882C1H471JA01D	K22174249		1-			
C 1825	CHIP CAP.	270pF	50V	CH	GRM1882C1H271JA01D	K22174251		1-			
C 1826	CHIP CAP.	150pF	50V	CH	GRM1882C1H151JA01D	K22174239		1-			
C 1827	CHIP CAP.	100pF	50V	CH	GRM1882C1H101JA01D	K22174235		1-			
C 1828	CHIP CAP.	82pF	50V	CH	GRM1882C1H820JA01D	K22174233		1-			
C 1829	CHIP CAP.	56pF	50V	CH	GRM1882C1H560JA01D	K22174229		1-			
C 1830	CHIP CAP.	82pF	50V	CH	GRM1882C1H820JA01D	K22174233		1-			
C 1831	CHIP CAP.	0.047uF	16V	B	GRM39B473K16PT	K22124804		1-			
C 1832	CHIP CAP.	0.047uF	16V	B	GRM39B473K16PT	K22124804		1-			
C 1833	CHIP CAP.	0.047uF	16V	B	GRM39B473K16PT	K22124804		1-			
C 1834	CHIP CAP.	0.047uF	16V	B	GRM39B473K16PT	K22124804		1-			
C 1835	CHIP CAP.	0.022uF	25V	B	GRM39B223K25PT	K22144807		1-			
C 1836	CHIP CAP.	0.01uF	50V	B	GRM188B11H103KA01D	K22174823		1-			
C 1837	CHIP CAP.	0.01uF	50V	B	GRM188B11H103KA01D	K22174823		1-			
C 1838	CHIP CAP.	0.01uF	50V	B	GRM188B11H103KA01D	K22174823		1-			
C 1839	CHIP CAP.	0.0022uF	50V	B	GRM188B11H222KA01D	K22174822		1-			
C 1840	CHIP CAP.	470pF	50V	CH	GRM1882C1H471JA01D	K22174249		1-			
C 1841	CHIP CAP.	330pF	50V	CH	GRM1882C1H331JA01D	K22174253		1-			
C 1842	CHIP CAP.	220pF	50V	CH	GRM1882C1H221JA01D	K22174243		1-			
C 1843	CHIP CAP.	820pF	25V	CH	GRM1882C1E821JA01D	K22144202		1-			
C 1844	CHIP CAP.	220pF	50V	CH	GRM1882C1H221JA01D	K22174243		1-			
C 1845	CHIP CAP.	150pF	50V	CH	GRM1882C1H151JA01D	K22174239		1-			
C 1846	CHIP CAP.	56pF	50V	CH	GRM1882C1H560JA01D	K22174229		1-			
C 1847	CHIP CAP.	560pF	25V	CH	GRM39CH561J25PT	K22144201		1-			
C 1848	CHIP CAP.	270pF	50V	CH	GRM1882C1H271JA01D	K22174251		1-			
C 1849	CHIP CAP.	180pF	50V	CH	GRM1882C1H181JA01D	K22174241		1-			
C 1850	CHIP CAP.	150pF	50V	CH	GRM1882C1H151JA01D	K22174239		1-			
C 1851	CHIP CAP.	100pF	50V	CH	GRM1882C1H101JA01D	K22174235		1-			
C 1852	CHIP CAP.	39pF	50V	CH	GRM1882C1H390JA01D	K22174225		1-			
C 1853	CHIP CAP.	0.0012uF	50V	B	GRM188B11H122KA01D	K22174826		1-			
C 1854	CHIP CAP.	150pF	50V	CH	GRM1882C1H151JA01D	K22174239		1-			
C 1855	CHIP CAP.	820pF	25V	CH	GRM1882C1E821JA01D	K22144202		1-			
C 1856	CHIP CAP.	470pF	50V	CH	GRM1882C1H471JA01D	K22174249		1-			
C 1857	CHIP CAP.	330pF	50V	CH	GRM1882C1H331JA01D	K22174253		1-			
C 1858	CHIP CAP.	220pF	50V	CH	GRM1882C1H221JA01D	K22174243		1-			
C 1859	CHIP CAP.	150pF	50V	CH	GRM1882C1H151JA01D	K22174239		1-			
C 1860	CHIP CAP.	56pF	50V	CH	GRM1882C1H560JA01D	K22174229		1-			
C 1861	CHIP CAP.	0.047uF	16V	B	GRM39B473K16PT	K22124804		1-			
C 1862	CHIP CAP.	0.047uF	16V	B	GRM39B473K16PT	K22124804		1-			
C 1863	CHIP CAP.	0.047uF	16V	B	GRM39B473K16PT	K22124804		1-			
C 1864	CHIP CAP.	0.047uF	16V	B	GRM39B473K16PT	K22124804		1-			
C 1865	CHIP CAP.	0.022uF	25V	B	GRM39B223K25PT	K22144807		1-			
C 1866	CHIP CAP.	0.01uF	50V	B	GRM188B11H103KA01D	K22174823		1-			
C 1867	CHIP CAP.	0.01uF	50V	B	GRM188B11H103KA01D	K22174823		1-			
C 1868	CHIP CAP.	0.01uF	50V	B	GRM188B11H103KA01D	K22174823		1-			
C 1869	CHIP CAP.	0.0022uF	50V	B	GRM188B11H222KA01D	K22174822		1-			
C 1870	CHIP CAP.	220pF	50V	CH	GRM1882C1H221JA01D	K22174243		1-			
C 1871	AL.ELECTRO.CAP.	10uF	35V		ECEV1VA100WR	K48160004		1			

# BPF-2 Unit (D, MP Type, RXU-9000)

## Parts List

REF	DESCRIPTION	VALUE	V/W	TOL.	MFR'S DESIG	VXSTD P/N	VERS.	LOT	SIDE	LAY ADR
C 1872	AL.ELECTRO.CAP.	10uF	35V		ECEV1VA100WR	K48160004		1		
C 1873	AL.ELECTRO.CAP.	10uF	35V		ECEV1VA100WR	K48160004		1		
C 1874	AL.ELECTRO.CAP.	10uF	35V		ECEV1VA100WR	K48160004		1		
C 1875	AL.ELECTRO.CAP.	10uF	35V		ECEV1VA100WR	K48160004		1		
C 1876	AL.ELECTRO.CAP.	10uF	35V		ECEV1VA100WR	K48160004		1		
C 1877	AL.ELECTRO.CAP.	10uF	35V		ECEV1VA100WR	K48160004		1		
C 1878	AL.ELECTRO.CAP.	10uF	35V		ECEV1VA100WR	K48160004		1		
C 1879	CHIP CAP.	0.01uF	50V	B	GRM188B11H103KA01D	K22174823		1-		
C 1880	CHIP CAP.	0.01uF	50V	B	GRM188B11H103KA01D	K22174823		1-		
C 1881	CHIP CAP.	0.01uF	50V	B	GRM188B11H103KA01D	K22174823		1-		
C 1882	CHIP CAP.	0.01uF	50V	B	GRM188B11H103KA01D	K22174823		1-		
C 1883	CHIP CAP.	0.01uF	50V	B	GRM188B11H103KA01D	K22174823		1-		
C 1884	CHIP CAP.	0.01uF	50V	B	GRM188B11H103KA01D	K22174823		1-		
C 1885	CHIP CAP.	0.01uF	50V	B	GRM188B11H103KA01D	K22174823		1-		
C 1886	CHIP CAP.	0.01uF	50V	B	GRM188B11H103KA01D	K22174823		1-		
C 1887	CHIP CAP.	0.1uF	16V	B	GRM188B11C104KA01D	K22124805		1-		
C 1888	CHIP CAP.	0.1uF	16V	B	GRM188B11C104KA01D	K22124805		1-		
C 1889	CHIP CAP.	0.1uF	16V	B	GRM188B11C104KA01D	K22124805		1-		
C 1890	CHIP CAP.	0.1uF	16V	B	GRM188B11C104KA01D	K22124805		1-		
C 1891	CHIP CAP.	0.1uF	16V	B	GRM188B11C104KA01D	K22124805		1-		
C 1892	CHIP CAP.	0.1uF	16V	B	GRM188B11C104KA01D	K22124805		1-		
C 1893	CHIP CAP.	0.1uF	16V	B	GRM188B11C104KA01D	K22124805		1-		
C 1894	CHIP CAP.	0.1uF	16V	B	GRM188B11C104KA01D	K22124805		1-		
C 1895	CHIP CAP.	0.1uF	16V	B	GRM188B11C104KA01D	K22124805		1-		
C 1896	CHIP CAP.	0.1uF	16V	B	GRM188B11C104KA01D	K22124805		1-		
C 1897	CHIP CAP.	0.1uF	16V	B	GRM188B11C104KA01D	K22124805		1-		
C 1898	CHIP CAP.	0.1uF	16V	B	GRM188B11C104KA01D	K22124805		1-		
C 1899	CHIP CAP.	0.1uF	16V	B	GRM188B11C104KA01D	K22124805		1-		
C 1900	CHIP CAP.	0.1uF	16V	B	GRM188B11C104KA01D	K22124805		1-		
C 1901	CHIP CAP.	0.1uF	16V	B	GRM188B11C104KA01D	K22124805		1-		
C 1902	CHIP CAP.	0.1uF	16V	B	GRM188B11C104KA01D	K22124805		1-		
C 1903	CHIP CAP.	0.01uF	50V	B	GRM188B11H103KA01D	K22174823		1-		
C 1904	CHIP CAP.	0.01uF	50V	B	GRM188B11H103KA01D	K22174823		1-		
C 1905	CHIP CAP.	0.01uF	50V	B	GRM188B11H103KA01D	K22174823		1-		
C 1906	CHIP CAP.	0.01uF	50V	B	GRM188B11H103KA01D	K22174823		1-		
C 1907	CHIP CAP.	0.01uF	50V	B	GRM188B11H103KA01D	K22174823		1-		
C 1908	CHIP CAP.	0.01uF	50V	B	GRM188B11H103KA01D	K22174823		1-		
C 1909	CHIP CAP.	0.01uF	50V	B	GRM188B11H103KA01D	K22174823		1-		
C 1910	CHIP CAP.	0.01uF	50V	B	GRM188B11H103KA01D	K22174823		1-		
C 1911	AL.ELECTRO.CAP.	10uF	35V		ECEV1VA100WR	K48160004		2-		
C 1912	AL.ELECTRO.CAP.	10uF	35V		ECEV1VA100WR	K48160004		2-		
C 1913	AL.ELECTRO.CAP.	10uF	35V		ECEV1VA100WR	K48160004		2-		
C 1914	AL.ELECTRO.CAP.	10uF	35V		ECEV1VA100WR	K48160004		2-		
C 1915	AL.ELECTRO.CAP.	10uF	35V		ECEV1VA100WR	K48160004		2-		
C 1916	AL.ELECTRO.CAP.	10uF	35V		ECEV1VA100WR	K48160004		2-		
C 1917	AL.ELECTRO.CAP.	10uF	35V		ECEV1VA100WR	K48160004		2-		
C 1918	AL.ELECTRO.CAP.	10uF	35V		ECEV1VA100WR	K48160004		2-		
D 1817	DIODE				BAS316	G2070716		1-		
D 1818	DIODE				BAS316	G2070716		1-		
D 1819	DIODE				BAS316	G2070716		1-		
D 1820	DIODE				BAS316	G2070716		1-		
D 1821	DIODE				BAS316	G2070716		1-		
D 1822	DIODE				BAS316	G2070716		1-		
D 1823	DIODE				BAS316	G2070716		1-		
D 1824	DIODE				BAS316	G2070716		1-		
J 1801	CONNECTOR				IMSA-9133S-05D	P1090908		1-		
J 1802	CONNECTOR				IMSA-9133S-15D	P1091214		1-		
L 1801	M.RFC	3.3uH			LAV35VB3R3K	L1790225		1-		
L 1802	M.RFC	1.8uH			LAV35VB1R8K	L1790222		1-		
L 1803	M.RFC	1uH			LAV35VB1R0K	L1790219		1-		
L 1804	M.RFC	0.68uH			LAV35VBR68M	L1790217		1-		
L 1805	M.RFC	0.56uH			LAV35VBR56M	L1790216		1-		
L 1806	M.RFC	0.39uH			LAV35VBR39M	L1790214		1-		
L 1807	M.RFC	0.39uH			LAV35VBR39M	L1790214		1-		
L 1808	M.RFC	5.6uH			LAV35VB5R6K	L1790228		1-		
L 1809	M.RFC	2.7uH			LAV35VB2R7K	L1790224		1-		
L 1810	M.RFC	1.8uH			LAV35VB1R8K	L1790222		1-		
L 1811	M.RFC	1.2uH			LAV35VB1R2K	L1790220		1-		
L 1812	M.RFC	0.82uH			LAV35VBR82M	L1790218		1-		
L 1813	M.RFC	0.56uH			LAV35VBR56M	L1790216		1-		
L 1814	M.RFC	0.47uH			LAV35VBR47M	L1790215		1-		
L 1815	COIL A1				5.5T5.0D0.6UEW R	L0021832A		1-		
L 1816	M.RFC	3.3uH			LAV35VB3R3K	L1790225		1-		

# BPF-2 Unit (D, MP Type, RXU-9000)

## Parts List

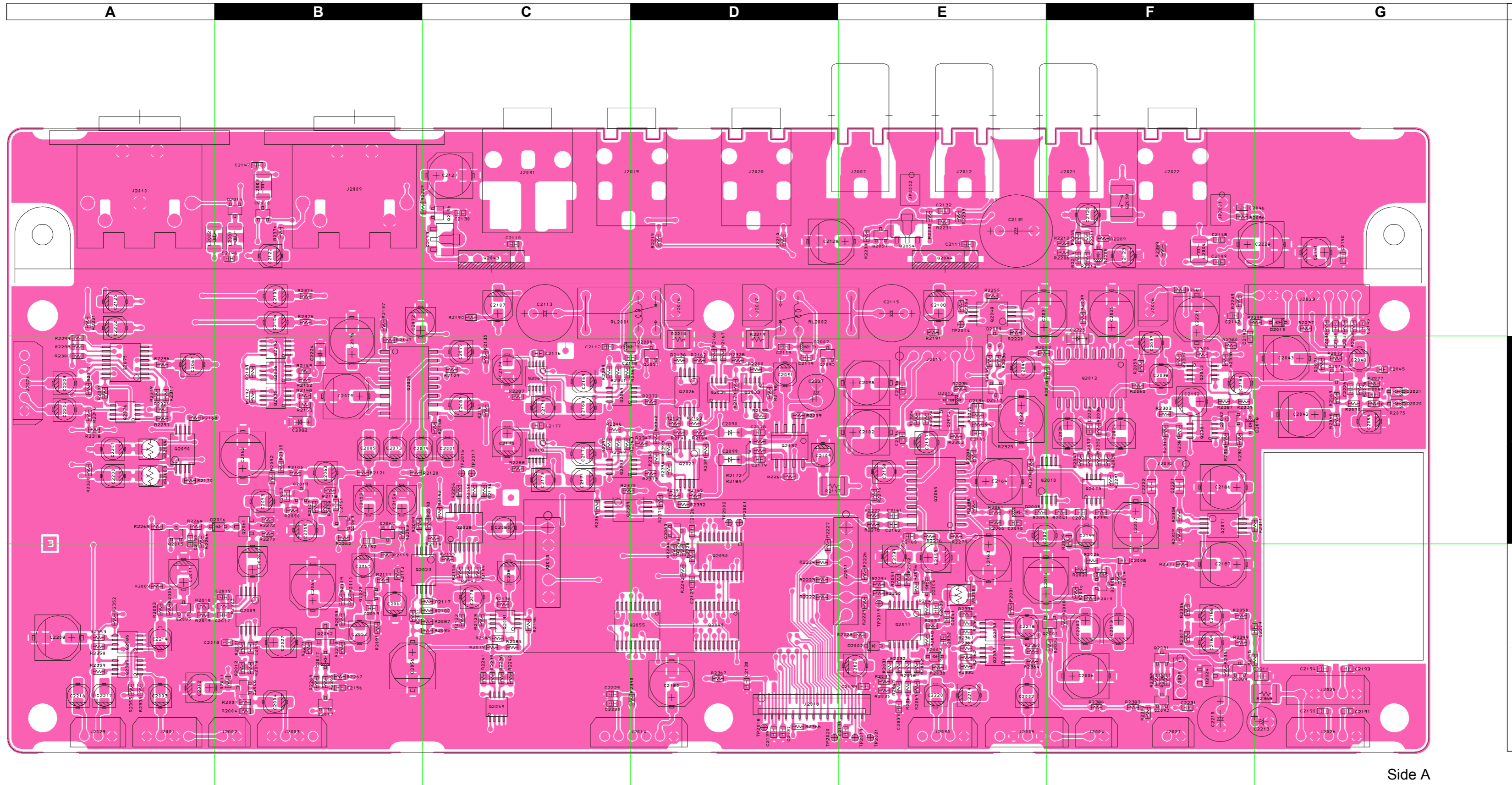
REF	DESCRIPTION	VALUE	V/W	TOL.	MFR'S DESIG	VXSTD P/N	VERS.	LOT	SIDE	LAY ADR
L 1817	M.RFC	1.8uH			LAV35VB1R8K	L1790222		1-		
L 1818	M.RFC	1uH			LAV35VB1R0K	L1790219		1-		
L 1819	M.RFC	0.68uH			LAV35VBR68M	L1790217		1-		
L 1820	M.RFC	0.56uH			LAV35VBR56M	L1790216		1-		
L 1821	M.RFC	0.39uH			LAV35VBR39M	L1790214		1-		
L 1822	M.RFC	0.39uH			LAV35VBR39M	L1790214		1-		
L 1823	M.RFC	15uH			LAV35VB150K	L1790233		1-		
L 1824	M.RFC	5.6uH			LAV35VB5R6K	L1790228		1-		
L 1825	M.RFC	3.3uH			LAV35VB3R3K	L1790225		1-		
L 1826	M.RFC	2.2uH			LAV35VB2R2K	L1790223		1-		
L 1827	M.RFC	1.8uH			LAV35VB1R8K	L1790222		1-		
L 1828	M.RFC	1.8uH			LAV35VB1R8K	L1790222		1-		
L 1829	M.RFC	1uH			LAV35VB1R0K	L1790219		1-		
L 1830	M.RFC	0.47uH			LAV35VBR47M	L1790215		1-		
L 1831	M.RFC	3.3uH			LAV35VB3R3K	L1790225		1-		
L 1832	M.RFC	1.5uH			LAV35VB1R5K	L1790221		1-		
L 1833	M.RFC	0.82uH			LAV35VBR82M	L1790218		1-		
L 1834	M.RFC	0.56uH			LAV35VBR56M	L1790216		1-		
L 1835	M.RFC	0.47uH			LAV35VBR47M	L1790215		1-		
L 1836	M.RFC	0.39uH			LAV35VBR39M	L1790214		1-		
L 1837	M.RFC	0.27uH			LAV35VBR27M	L1790212		1-		
L 1838	COIL A1				4.5T5.0D0.6UEW R	L0021831A		1-		
L 1839	M.RFC	3.3uH			LAV35VB3R3K	L1790225		1-		
L 1840	M.RFC	1.5uH			LAV35VB1R5K	L1790221		1-		
L 1841	M.RFC	0.82uH			LAV35VBR82M	L1790218		1-		
L 1842	M.RFC	0.56uH			LAV35VBR56M	L1790216		1-		
L 1843	M.RFC	0.47uH			LAV35VBR47M	L1790215		1-		
L 1844	M.RFC	0.39uH			LAV35VBR39M	L1790214		1-		
L 1845	M.RFC	0.27uH			LAV35VBR27M	L1790212		1-		
L 1846	COIL A1				4.5T5.0D0.6UEW R	L0021831A		1-		
L 1847	M.RFC	15uH			LAV35VB150K	L1790233		1-		
L 1848	M.RFC	5.6uH			LAV35VB5R6K	L1790228		1-		
L 1849	M.RFC	3.3uH			LAV35VB3R3K	L1790225		1-		
L 1850	M.RFC	2.2uH			LAV35VB2R2K	L1790223		1-		
L 1851	M.RFC	1.8uH			LAV35VB1R8K	L1790222		1-		
L 1852	M.RFC	1.8uH			LAV35VB1R8K	L1790222		1-		
L 1853	M.RFC	1uH			LAV35VB1R0K	L1790219		1-		
L 1854	M.RFC	0.47uH			LAV35VBR47M	L1790215		1-		
R 1801	CARBON FILM RES.	68	1/6W	5%	RD16TPJ680 68	J07225680		2-		
R 1801	CHIPRES.	68	1/4W	5%	RMC1/4 680JATP	J24245680		1-		
R 1802	CARBON FILM RES.	68	1/6W	5%	RD16TPJ680 68	J07225680		1		
R 1802	CHIPRES.	68	1/4W	5%	RMC1/4 680JATP	J24245680		2-		
R 1803	CARBON FILM RES.	68	1/6W	5%	RD16TPJ680 68	J07225680		2-		
R 1803	CHIPRES.	68	1/4W	5%	RMC1/4 680JATP	J24245680		1		
R 1804	CARBON FILM RES.	68	1/6W	5%	RD16TPJ680 68	J07225680		1		
R 1804	CHIPRES.	68	1/4W	5%	RMC1/4 680JATP	J24245680		2-		
R 1805	CARBON FILM RES.	68	1/6W	5%	RD16TPJ680 68	J07225680		2-		
R 1805	CHIPRES.	68	1/4W	5%	RMC1/4 680JATP	J24245680		1		
R 1806	CARBON FILM RES.	68	1/6W	5%	RD16TPJ680 68	J07225680		1		
R 1806	CHIPRES.	68	1/4W	5%	RMC1/4 680JATP	J24245680		2-		
R 1807	CARBON FILM RES.	68	1/6W	5%	RD16TPJ680 68	J07225680		1		
R 1807	CHIPRES.	68	1/4W	5%	RMC1/4 680JATP	J24245680		2-		
R 1808	CARBON FILM RES.	68	1/6W	5%	RD16TPJ680 68	J07225680		1		
R 1808	CHIPRES.	68	1/4W	5%	RMC1/4 680JATP	J24245680		2-		
R 1809	CHIPRES.	68	1/4W	5%	RMC1/4 680JATP	J24245680		1-		
R 1810	CHIPRES.	68	1/4W	5%	RMC1/4 680JATP	J24245680		1-		
R 1811	CHIPRES.	68	1/4W	5%	RMC1/4 680JATP	J24245680		1-		
R 1812	CHIPRES.	68	1/4W	5%	RMC1/4 680JATP	J24245680		1-		
R 1813	CHIPRES.	68	1/4W	5%	RMC1/4 680JATP	J24245680		1-		
R 1814	CHIPRES.	68	1/4W	5%	RMC1/4 680JATP	J24245680		1-		
R 1815	CHIPRES.	68	1/4W	5%	RMC1/4 680JATP	J24245680		1-		
R 1816	CHIPRES.	68	1/4W	5%	RMC1/4 680JATP	J24245680		1-		
R 1817	CHIPRES.	100	1/16W	5%	RMC1/16 101JATP	J24185101		1-		
R 1818	CHIPRES.	100	1/16W	5%	RMC1/16 101JATP	J24185101		1-		
R 1819	CHIPRES.	100	1/16W	5%	RMC1/16 101JATP	J24185101		1-		
R 1820	CHIPRES.	100	1/16W	5%	RMC1/16 101JATP	J24185101		1-		
R 1821	CHIPRES.	100	1/16W	5%	RMC1/16 101JATP	J24185101		1-		
R 1822	CHIPRES.	100	1/16W	5%	RMC1/16 101JATP	J24185101		1-		
R 1823	CHIPRES.	100	1/16W	5%	RMC1/16 101JATP	J24185101		1-		
R 1824	CHIPRES.	100	1/16W	5%	RMC1/16 101JATP	J24185101		1-		
RL1801	RELAY		DC12V		G6K-2F-Y-TR DC12V	M1190183		1-		
RL1802	RELAY		DC12V		G6K-2F-Y-TR DC12V	M1190183		1-		
RL1803	RELAY		DC12V		G6K-2F-Y-TR DC12V	M1190183		1-		



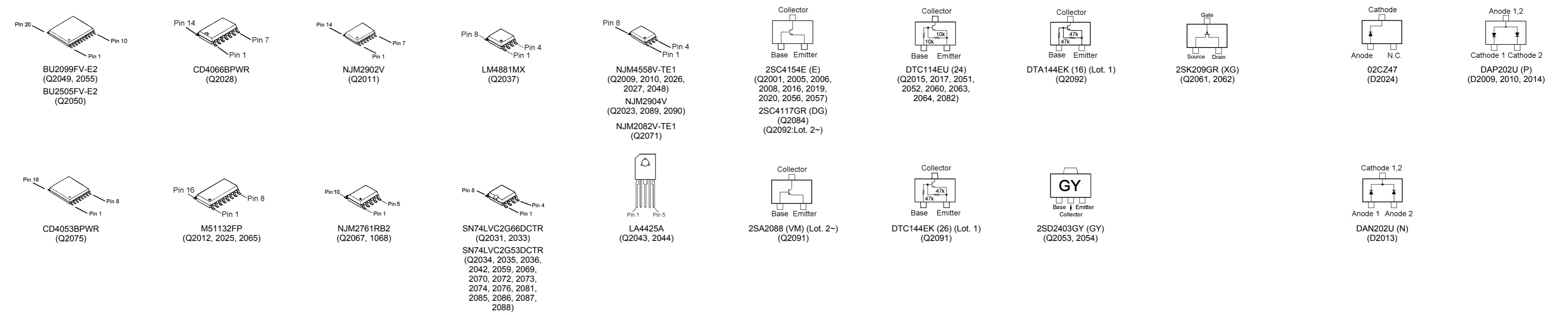


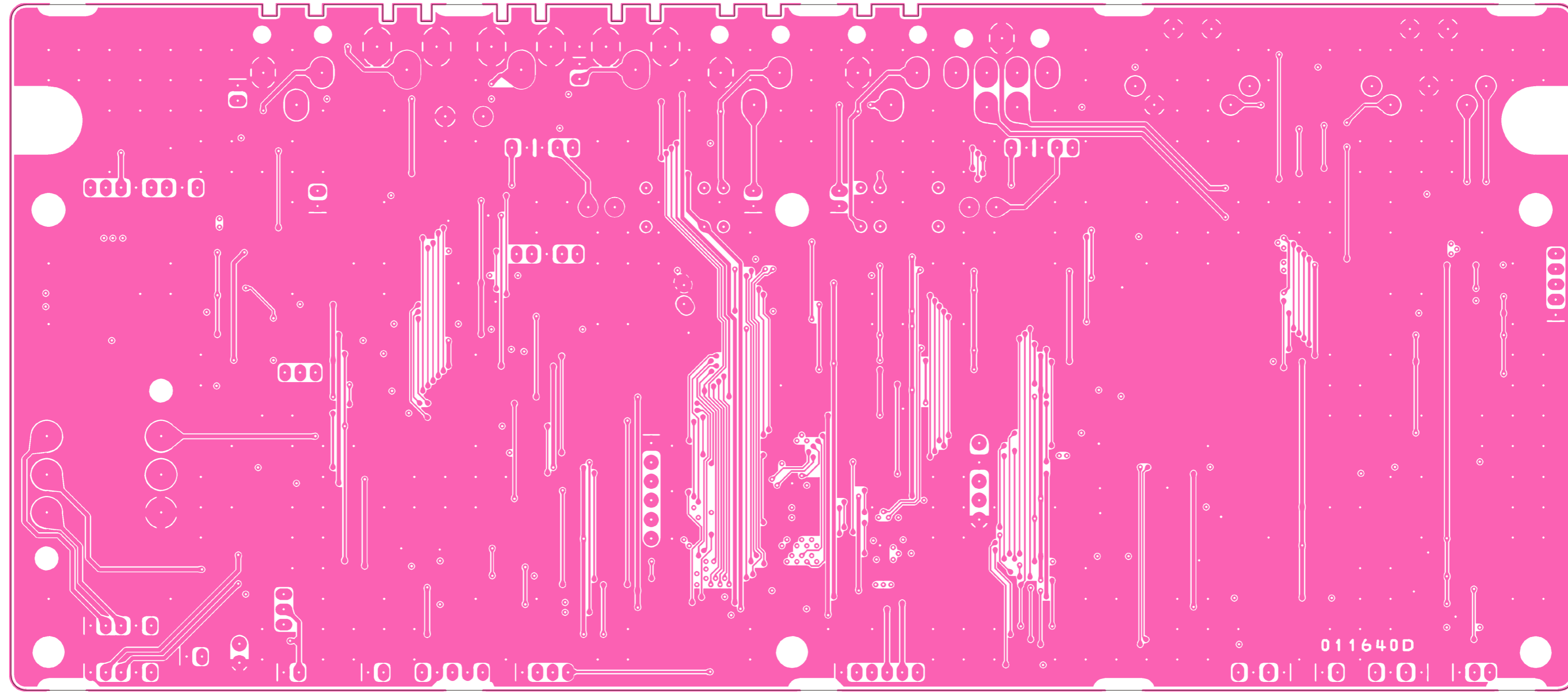






Side A





Side B

REF	DESCRIPTION	VALUE	V/W	TOL.	MFR'S DESIG	VXSTD P/N	VERS.	LOT	SIDE	LAY ADR
	PCB with Components					CB2740001	W/ DUAL RX			
	PCB with Components					CB2740002	W/O DUAL RX			
	Printed Circuit Board					FR011640B FR011640C FR011640D		1 2- 4-		
C 2001	AL.ELECTRO.CAP.	1uF	50V		ECEV1HS010SR	K48170001		1-	A	C2
C 2002	AL.ELECTRO.CAP.	22uF	6.3V		ECEV0JS220WR	K48080007		1-	A	E3
C 2003	AL.ELECTRO.CAP.	1uF	50V		ECEV1HS010SR	K48170001		1-	A	A3
C 2004	AL.ELECTRO.CAP.	1uF	50V		ECEV1HS010SR	K48170001		1-	A	B3
C 2005	AL.ELECTRO.CAP.	1uF	50V		ECEV1HS010SR	K48170001		1-	A	B2
C 2006	AL.ELECTRO.CAP.	220uF	16V		MVA16VC220MF80	K48120021		1-	A	F3
C 2007	AL.ELECTRO.CAP.	2.2uF	50V		ECEV1HA2R2SR	K48170014		1-	A	F3
C 2008	CHIP CAP.	0.047uF	16V	B	GRM39B473K16PT	K22124804		1-	A	F3
C 2011	AL.ELECTRO.CAP.	10uF	35V		ECEV1VA100WR	K48160004		1-	A	A3
C 2012	AL.ELECTRO.CAP.	10uF	35V		ECEV1VA100WR	K48160004		1-	A	A3
C 2013	AL.ELECTRO.CAP.	2.2uF	50V		ECEV1HA2R2SR	K48170014		1-	A	F3
C 2014	AL.ELECTRO.CAP.	47uF	35V		ECEV1VA470WP	K48160003		1-	A	E3
C 2015	CHIP CAP.	220pF	50V	CH	GRM1882C1H221JA01D	K22174243		1-	A	F3
C 2016	CHIP CAP.	0.0047uF	50V	B	GRM188B11H472KA01D	K22174833		1-	A	B3
C 2017	CHIP CAP.	0.0047uF	50V	B	GRM188B11H472KA01D	K22174833		1-	A	B3
C 2018	CHIP CAP.	0.0022uF	50V	B	GRM188B11H222KA01D	K22174822		1-	A	B3
C 2019	CHIP CAP.	0.0022uF	50V	B	GRM188B11H222KA01D	K22174822		1-	A	B3
C 2020	AL.ELECTRO.CAP.	4.7uF	25V		ECEV1ES4R7SR	K48140001		1-	A	E3
C 2021	AL.ELECTRO.CAP.	1uF	50V		ECEV1HS010SR	K48170001		1-	A	E2
C 2022	AL.ELECTRO.CAP.	220uF	16V		MVA16VC220MF80	K48120021		1-	A	E2
C 2023	CHIP CAP.	0.047uF	16V	B	GRM39B473K16PT	K22124804		1-	A	F2
C 2024	AL.ELECTRO.CAP.	2.2uF	50V		ECEV1HA2R2SR	K48170014		1-	A	F2
C 2025	AL.ELECTRO.CAP.	22uF	50V		ECEV1HA220WP	K48170018		1-	A	F1
C 2026	AL.ELECTRO.CAP.	2.2uF	50V		ECEV1HA2R2SR	K48170014		1-	A	B3
C 2027	AL.ELECTRO.CAP.	2.2uF	50V		ECEV1HA2R2SR	K48170014		1-	A	B3
C 2028	CHIP CAP.	0.047uF	16V	B	GRM39B473K16PT	K22124804		1-	A	F2
C 2031	AL.ELECTRO.CAP.	22uF	50V		ECEV1HA220WP	K48170018		1-	A	E1
C 2032	CHIP CAP.	0.047uF	16V	B	GRM39B473K16PT	K22124804		1-	A	E3
C 2033	CHIP CAP.	0.047uF	16V	B	GRM39B473K16PT	K22124804		1-	A	E3
C 2034	AL.ELECTRO.CAP.	2.2uF	50V		ECEV1HA2R2SR	K48170014		1-	A	F2
C 2035	CHIP CAP.	22pF	50V	CH	GRM1882C1H220JA01D	K22174219		1-	A	E3
C 2037	AL.ELECTRO.CAP.	1uF	50V		ECEV1HS010SR	K48170001		1-	A	F2
C 2038	AL.ELECTRO.CAP.	1uF	50V		ECEV1HS010SR	K48170001		1-	A	F2
C 2039	AL.ELECTRO.CAP.	1uF	50V		ECEV1HS010SR	K48170001		1-	A	E3
C 2040	CHIP CAP.	0.1uF	16V	B	GRM188B11C104KA01D	K22124805		1-	A	E2
C 2041	CHIP CAP.	0.047uF	16V	B	GRM39B473K16PT	K22124804		1-	A	E3
C 2042	AL.ELECTRO.CAP.	220uF	16V		MVA16VC220MF80	K48120021		1-	A	G2
C 2043	AL.ELECTRO.CAP.	47uF	35V		ECEV1VA470WP	K48160003		1-	A	G2
C 2044	AL.ELECTRO.CAP.	1uF	50V		ECEV1HS010SR	K48170001		1-	A	G2
C 2045	CHIP CAP.	0.001uF	50V	B	GRM188B11H102KA01D	K22174821		1-	A	G2
C 2046	CHIP CAP.	0.001uF	50V	B	GRM188B11H102KA01D	K22174821		1-	A	F1
C 2047	CHIP CAP.	0.01uF	50V	B	GRM188B11H103KA01D	K22174823		1-	A	G2
C 2048	AL.ELECTRO.CAP.	1uF	50V		ECEV1HS010SR	K48170001		1-	A	G2
C 2049	AL.ELECTRO.CAP.	1uF	50V		ECEV1HS010SR	K48170001		1-	A	E2
C 2052	AL.ELECTRO.CAP.	1uF	50V		ECEV1HS010SR	K48170001		1-	A	B3
C 2053	AL.ELECTRO.CAP.	1uF	50V		ECEV1HS010SR	K48170001		1-	A	B2
C 2056	AL.ELECTRO.CAP.	220uF	10V		RV3-10V221MF80-R	K48100002		1-	A	B3
C 2057	CHIP CAP.	0.0022uF	50V	B	GRM188B11H222KA01D	K22174822		1-	A	B2
C 2059	CHIP CAP.	0.0022uF	50V	B	GRM188B11H222KA01D	K22174822		1-	A	B3
C 2060	AL.ELECTRO.CAP.	10uF	16V		ECEV1CS100SR	K48120001		1-	A	B2
C 2061	AL.ELECTRO.CAP.	10uF	16V		ECEV1CS100SR	K48120001		1-	A	B3
C 2062	AL.ELECTRO.CAP.	220uF	16V		MVA16VC220MF80	K48120021		1-	A	B2
C 2063	AL.ELECTRO.CAP.	1uF	50V		ECEV1HS010SR	K48170001		1-	A	B2
C 2064	AL.ELECTRO.CAP.	220uF	16V		MVA16VC220MF80	K48120021		1-	A	B3
C 2065	AL.ELECTRO.CAP.	1uF	50V		ECEV1HS010SR	K48170001		1-	A	B3
C 2067	AL.ELECTRO.CAP.	1uF	50V		ECEV1HS010SR	K48170001		1-	A	A2
C 2070	AL.ELECTRO.CAP.	1uF	50V		ECEV1HS010SR	K48170001		1-	A	C3
C 2072	AL.ELECTRO.CAP.	10uF	35V		ECEV1VA100WR	K48160004		1-	A	B1
C 2073	AL.ELECTRO.CAP.	1uF	50V		ECEV1HS010SR	K48170001		1-	A	B2
C 2074	AL.ELECTRO.CAP.	1uF	50V		ECEV1HS010SR	K48170001		1-	A	B2
C 2075	AL.ELECTRO.CAP.	1uF	50V		ECEV1HS010SR	K48170001		1-	A	C2
C 2076	AL.ELECTRO.CAP.	22uF	50V		ECEV1HA220WP	K48170018		1-	A	B2
C 2079	AL.ELECTRO.CAP.	22uF	50V		ECEV1HA220WP	K48170018		1-	A	B2
C 2080	AL.ELECTRO.CAP.	1uF	50V		ECEV1HS010SR	K48170001		1-	A	C2
C 2081	AL.ELECTRO.CAP.	1uF	50V		ECEV1HS010SR	K48170001		1-	A	C3
C 2082	AL.ELECTRO.CAP.	0.47uF	50V		ECEV1HAR47SR	K48170013		1	A	B2
C 2082	CHIP TA.CAP.	0.47uF	35V		TEMSVA1V474M-8R	K78160029		2-	A	B2
C 2087	AL.ELECTRO.CAP.	1uF	50V		ECEV1HS010SR	K48170001		1-	A	C2

# AF Unit

## Parts List

REF	DESCRIPTION	VALUE	V/W	TOL.	MFR'S DESIG	VXSTD P/N	VERS.	LOT	SIDE	LAY ADR
C 2090	AL.ELECTRO.CAP.	1uF	50V		ECEV1HS010SR	K48170001		1-	A	D2
C 2090	CHIP TA.CAP.	0.47uF	25V		TESVA1E474M1-8R	K78140009		4-	A	D2
C 2091	AL.ELECTRO.CAP.	1uF	50V		ECEV1HS010SR	K48170001		1-	A	D2
C 2098	AL.ELECTRO.CAP.	220uF	10V		RV3-10V221MF80-R	K48100002		1-	A	E2
C 2099	AL.ELECTRO.CAP.	1uF	50V		ECEV1HS010SR	K48170001		1-	A	D2
C 2099	CHIP TA.CAP.	0.47uF	25V		TESVA1E474M1-8R	K78140009		4-	A	D2
C 2102	AL.ELECTRO.CAP.	220uF	10V		RV3-10V221MF80-R	K48100002		1-	A	E2
C 2105	AL.ELECTRO.CAP.	1uF	50V		ECEV1HS010SR	K48170001		1-	A	B1
C 2106	AL.ELECTRO.CAP.	1uF	50V		ECEV1HS010SR	K48170001		1-	A	B1
C 2107	AL.ELECTRO.CAP.	2.2uF	50V		ECEV1HA2R2SR	K48170014		1-	A	C1
C 2108	AL.ELECTRO.CAP.	2.2uF	50V		ECEV1HA2R2SR	K48170014		1-	A	E1
C 2109	AL.ELECTRO.CAP.	1uF	50V		ECEV1HS010SR	K48170001		1-	A	D2
C 2110	CHIP CAP.	0.022uF	25V	B	GRM39B223K25PT	K22144807		1-	A	C1
C 2111	CHIP CAP.	0.022uF	25V	B	GRM39B223K25PT	K22144807		1-	A	E1
C 2112	CHIP CAP.	0.047uF	16V	B	GRM39B473K16PT	K22124804		1-	A	C2
C 2113	AL.ELECTRO.CAP.	470uF	16V		RE3-16V471M 470UF	K40129066		1-	A	C1
C 2114	CHIP CAP.	0.047uF	16V	B	GRM39B473K16PT	K22124804		1-	A	D2
C 2115	AL.ELECTRO.CAP.	470uF	16V		RE3-16V471M 470UF	K40129066		1-	A	E1
C 2118	CHIP CAP.	0.047uF	16V	B	GRM39B473K16PT	K22124804		1-	A	C2
C 2119	CHIP CAP.	0.047uF	16V	B	GRM39B473K16PT	K22124804		1-	A	D2
C 2120	AL.ELECTRO.CAP.	1uF	50V		ECEV1HS010SR	K48170001		1-	A	F1
C 2122	AL.ELECTRO.CAP.	1uF	50V		ECEV1HS010SR	K48170001		1-	A	B1
C 2125	AL.ELECTRO.CAP.	1uF	50V		ECEV1HS010SR	K48170001		1-	A	A1
C 2126	CHIP CAP.	0.01uF	50V	B	GRM188B11H103KA01D	K22174823		1-	A	D2
C 2127	AL.ELECTRO.CAP.	47uF	35V		ECEV1VA470WP	K48160003		1-	A	C1
C 2128	AL.ELECTRO.CAP.	47uF	35V		ECEV1VA470WP	K48160003		1-	A	D1
C 2129	CHIP CAP.	0.01uF	50V	B	GRM188B11H103KA01D	K22174823		1-	A	D3
C 2130	CHIP CAP.	0.01uF	50V	B	GRM188B11H103KA01D	K22174823		1-	A	C1
C 2131	AL.ELECTRO.CAP.	1000uF	16V		RE3-16V102MH3 1000UF	K40129096		1-	A	E1
C 2133	CHIP CAP.	0.01uF	50V	B	GRM188B11H103KA01D	K22174823		1-	A	E3
C 2134	CHIP CAP.	0.001uF	50V	B	GRM188B11H102KA01D	K22174821		1-	A	E2
C 2135	CHIP CAP.	0.01uF	50V	B	GRM188B11H103KA01D	K22174823		1-	A	E3
C 2136	CHIP CAP.	0.001uF	50V	B	GRM188B11H102KA01D	K22174821		1-	A	E2
C 2137	CHIP CAP.	0.01uF	50V	B	GRM188B11H103KA01D	K22174823		1-	A	D3
C 2138	CHIP CAP.	0.01uF	50V	B	GRM188B11H103KA01D	K22174823		1-	A	D3
C 2139	CHIP CAP.	0.01uF	50V	B	GRM188B11H103KA01D	K22174823		1-	A	D3
C 2140	CHIP CAP.	0.01uF	50V	B	GRM188B11H103KA01D	K22174823		1-	A	G1
C 2141	AL.ELECTRO.CAP.	10uF	35V		ECEV1VA100WR	K48160004		1-	A	G1
C 2142	CHIP CAP.	0.01uF	50V	B	GRM188B11H103KA01D	K22174823		1-	A	F1
C 2143	CHIP CAP.	0.01uF	50V	B	GRM188B11H103KA01D	K22174823		1-	A	F2
C 2144	CHIP CAP.	0.01uF	50V	B	GRM188B11H103KA01D	K22174823		1-	A	G1
C 2145	CHIP CAP.	0.01uF	50V	B	GRM188B11H103KA01D	K22174823		1-	A	G1
C 2146	CHIP CAP.	0.01uF	50V	B	GRM188B11H103KA01D	K22174823		1-	A	B1
C 2147	CHIP CAP.	0.01uF	50V	B	GRM188B11H103KA01D	K22174823		1-	A	B1
C 2148	CHIP CAP.	0.0018uF	50V	B	GRM188B11H182KA01D	K22174812		1-	A	F1
C 2149	CHIP CAP.	0.0018uF	50V	B	GRM188B11H182KA01D	K22174812		1-	A	F1
C 2151	CHIP CAP.	0.1uF	16V	B	GRM188B11C104KA01D	K22124805		1-	A	B2
C 2152	CHIP CAP.	0.1uF	16V	B	GRM188B11C104KA01D	K22124805		1-	A	B2
C 2153	AL.ELECTRO.CAP.	0.22uF	50V		ECEV1HAR22SR	K48170012		1-	A	B2
C 2154	AL.ELECTRO.CAP.	0.22uF	50V		ECEV1HAR22SR	K48170012		1-	A	B2
C 2155	CHIP CAP.	0.047uF	16V	B	GRM39B473K16PT	K22124804		1-	A	A2
C 2156	CHIP CAP.	0.047uF	16V	B	GRM39B473K16PT	K22124804		1-	A	B3
C 2157	AL.ELECTRO.CAP.	1uF	50V		ECEV1HS010SR	K48170001		1-	A	E2
C 2158	AL.ELECTRO.CAP.	1uF	50V		ECEV1HS010SR	K48170001		1-	A	E2
C 2159	AL.ELECTRO.CAP.	10uF	35V		ECEV1VA100WR	K48160004		1-	A	E3
C 2160	CHIP CAP.	0.047uF	16V	B	GRM39B473K16PT	K22124804		1-	A	E2
C 2161	CHIP CAP.	0.1uF	16V	B	GRM188B11C104KA01D	K22124805		1-	A	E2
C 2162	CHIP CAP.	0.1uF	16V	B	GRM188B11C104KA01D	K22124805		1-	A	E2
C 2163	AL.ELECTRO.CAP.	22uF	50V		ECEV1HA220WP	K48170018		1-	A	E3
C 2164	AL.ELECTRO.CAP.	22uF	50V		ECEV1HA220WP	K48170018		1-	A	E2
C 2168	AL.ELECTRO.CAP.	1uF	50V		ECEV1HS010SR	K48170001		1-	A	C2
C 2169	AL.ELECTRO.CAP.	1uF	50V		ECEV1HS010SR	K48170001		1-	A	C2
C 2170	AL.ELECTRO.CAP.	1uF	50V		ECEV1HS010SR	K48170001		1-	A	C2
C 2171	AL.ELECTRO.CAP.	1uF	50V		ECEV1HS010SR	K48170001		1-	A	C2
C 2172	AL.ELECTRO.CAP.	1uF	50V		ECEV1HS010SR	K48170001		1-	A	C2
C 2173	AL.ELECTRO.CAP.	1uF	50V		ECEV1HS010SR	K48170001		1-	A	C2
C 2174	AL.ELECTRO.CAP.	0.22uF	50V		ECEV1HAR22SR	K48170012		1-	A	C2
C 2175	AL.ELECTRO.CAP.	0.22uF	50V		ECEV1HAR22SR	K48170012		1-	A	C2
C 2176	CHIP CAP.	0.022uF	25V	B	GRM39B223K25PT	K22144807		1-	A	C2
C 2177	CHIP CAP.	0.022uF	25V	B	GRM39B223K25PT	K22144807		1-	A	C2
C 2178	CHIP CAP.	0.01uF	50V	B	GRM188B11H103KA01D	K22174823		4-	A	D2
C 2179	CHIP CAP.	0.01uF	50V	B	GRM188B11H103KA01D	K22174823		4-	A	D2
C 2180	AL.ELECTRO.CAP.	220uF	16V		MVA16VC220MF80	K48120021		1-	A	D3

# AF Unit

## Parts List

REF	DESCRIPTION	VALUE	V/W	TOL.	MFR'S DESIG	VXSTD P/N	VERS.	LOT	SIDE	LAY ADR
C 2185	AL.ELECTRO.CAP.	1uF	50V		ECEV1HS010SR	K48170001		1-	A	F2
C 2186	AL.ELECTRO.CAP.	220uF	16V		MVA16VC220MF80	K48120021		1-	A	F2
C 2187	AL.ELECTRO.CAP.	220uF	16V		MVA16VC220MF80	K48120021		1-	A	F3
C 2188	AL.ELECTRO.CAP.	1uF	50V		ECEV1HS010SR	K48170001		1-	A	F3
C 2189	AL.ELECTRO.CAP.	1uF	50V		ECEV1HS010SR	K48170001		1-	A	F3
C 2192	AL.ELECTRO.CAP.	10uF	16V		RC2-16V100MB	K40129012		1-	A	F2
C 2192	AL.ELECTRO.CAP.	10uF	35V		ECEV1VA100WR	K48160004		4-	A	F2
C 2195	CHIP CAP.	0.1uF	16V	B	GRM188B11C104KA01D	K22124805		1-	A	E2
C 2196	CHIP CAP.	0.1uF	16V	B	GRM188B11C104KA01D	K22124805		1-	A	E2
C 2199	AL.ELECTRO.CAP.	1uF	50V		ECEV1HS010SR	K48170001		1-	A	F2
C 2200	AL.ELECTRO.CAP.	1uF	50V		ECEV1HS010SR	K48170001		1-	A	A2
C 2201	AL.ELECTRO.CAP.	1uF	50V		ECEV1HS010SR	K48170001		1-	A	A2
C 2202	AL.ELECTRO.CAP.	1uF	50V		ECEV1HS010SR	K48170001		1-	A	A1
C 2203	AL.ELECTRO.CAP.	1uF	50V		ECEV1HS010SR	K48170001		1-	A	A2
C 2204	AL.ELECTRO.CAP.	1uF	50V		ECEV1HS010SR	K48170001		1-	A	A2
C 2207	AL.ELECTRO.CAP.	220uF	10V		RV3-10V221MF80-R	K48100002		1-	A	F2
C 2208	AL.ELECTRO.CAP.	220uF	10V		RV3-10V221MF80-R	K48100002		1-	A	A3
C 2210	AL.ELECTRO.CAP.	10uF	63V		RC2-63V100M	K40189012		1-	A	F3
C 2211	CHIP CAP.	0.01uF	250V	X7R	GRM21BR72E103KW03L	K22240801		1-	A	G3
C 2213	AL.ELECTRO.CAP.	1uF	63V		RC2-63V010MB	K40189011		1-	A	F3
C 2214	AL.ELECTRO.CAP.	1uF	50V		ECEV1HS010SR	K48170001		1-	A	A3
C 2216	AL.ELECTRO.CAP.	1uF	50V		ECEV1HS010SR	K48170001		1-	A	A3
C 2217	AL.ELECTRO.CAP.	1uF	50V		ECEV1HS010SR	K48170001		1-	A	A3
C 2218	AL.ELECTRO.CAP.	22uF	6.3V		ECEV0JS220WR	K48080007		1-	A	E3
C 2219	AL.ELECTRO.CAP.	1uF	50V		ECEV1HS010SR	K48170001		1-	A	E3
C 2220	AL.ELECTRO.CAP.	1uF	50V		ECEV1HS010SR	K48170001		1-	A	E3
C 2221	CHIP CAP.	1uF	10V	B	GRM40B105K10PT	K22100802		1-	A	F2
C 2222	CHIP CAP.	1uF	10V	B	GRM40B105K10PT	K22100802		1-	A	F2
C 2223	AL.ELECTRO.CAP.	220uF	10V		RV3-10V221MF80-R	K48100002		1-	A	F1
C 2224	TANTALUM CAP.	0.47uF	35V		DN1VR47M1S	K70167474		1	A	B2
C 2224	CHIP TA.CAP.	0.47uF	35V		TEMSVA1V474M-8R	K78160029		2-	A	B2
C 2225	TANTALUM CAP.	0.47uF	35V		DN1VR47M1S	K70167474		1	A	F2
C 2225	CHIP TA.CAP.	0.47uF	35V		TEMSVA1V474M-8R	K78160029		2-	A	F2
C 2226	CHIP CAP.	0.01uF	25V	B	GRM39B103M25PT	K22144802		1-	A	G2
C 2227	AL.ELECTRO.CAP.	100uF	6.3V		RC2-6V101MSG-T58	K46080006		1-	A	D2
C 2228	AL.ELECTRO.CAP.	22uF	16V		RC2-16V220MSG-T58	K46120008		1-	A	G1
C 2228	AL.ELECTRO.CAP.	22uF	50V		ECEV1HA220WP	K48170018		4-	A	G1
C 2232	CERAMIC CAP.	0.1uF	50V	F	UP050F104Z-A-B	K28179003		4-		
C 2233	CERAMIC CAP.	0.1uF	50V	F	UP050F104Z-A-B	K28179003		4-		
D 2002	DIODE				BAS316	G2070716		1-	A	E3
D 2003	DIODE				BAS316	G2070716		1-	A	E3
D 2004	DIODE				BAS316	G2070716		1-	A	E3
D 2005	DIODE				BAS316	G2070716		1-	A	E2
D 2006	DIODE				BAS316	G2070716		1-	A	C2
D 2007	DIODE				BAS316	G2070716		1-	A	D2
D 2008	DIODE				BAS316	G2070716		1-	A	F1
D 2009	DIODE				DAP202U T106	G2070160		1-	A	E2
D 2010	DIODE				DAP202U T106	G2070160		1-	A	B1
D 2012	DIODE				BAS316	G2070716		1-	A	E2
D 2013	DIODE				DAN202U T106	G2070162		1-	A	E2
D 2014	DIODE				DAP202U T106	G2070160		1-	A	B1
D 2015	DIODE				BAS316	G2070716		1-	A	G1
D 2016	DIODE				BAS316	G2070716		1-	A	B2
D 2017	DIODE				BAS316	G2070716		1-	A	B3
D 2018	DIODE				BAS316	G2070716		1-	A	F2
D 2024	DIODE				02CZ47(TAPE)	G2071050		1-	A	F3
J 2001	CONNECTOR				SB20-04WS	P0090611		1-	A	A3
J 2002	CONNECTOR				SB20-02WS	P0090609		1-	A	B3
J 2003	CONNECTOR				SB20-04WS	P0090611		1-	A	B3
J 2004	CONNECTOR				SB20-02WS	P0090609		1-	A	F3
J 2005	CONNECTOR				SB20-05WS	P0090612		1-	A	F3
J 2006	CONNECTOR				SB20-02WS	P0090609		1-	A	F1
J 2007	CONNECTOR				JPJ2548-01-010	P1091232		1-	A	E1
J 2009	CONNECTOR				TCS4640-01-4151	P1090634		1-	A	B1
J 2010	CONNECTOR				TCS4650-01-4151	P1090635		1-	A	A1
J 2011	CONNECTOR				IMSA-6065B-06-Z049-PT1	P0091383		1-	A	E2
J 2012	CONNECTOR				JPJ2548-01-010	P1091232		1-	A	E1
J 2013	CONNECTOR				IMSA-6065B-05-Z049-PT1	P0091382		1-	A	C2
J 2014	CONNECTOR				SB20-06WS	P0090613		1-	A	D3
J 2015	CONNECTOR				SB20-04WS	P0090611		1-	A	E2
J 2015	CONNECTOR				SB20-05WS	P0090612		4-	A	E2
J 2016	CONNECTOR				SB20-02WS	P0090609		1-	A	D1
J 2017	CONNECTOR				SB20-02WS	P0090609		1-	A	D1

# AF Unit

## Parts List

REF	DESCRIPTION	VALUE	V/W	TOL.	MFR'S DESIG	VXSTD P/N	VERS.	LOT	SIDE	LAY ADR
J 2018	CONNECTOR				30FLT-SM1-TB	P1091142		1-	A	D3
J 2019	CONNECTOR				YKB21-5296N	P1091233		1-	A	D1
J 2020	CONNECTOR				YKB21-5296N	P1091233		1-	A	D1
J 2021	CONNECTOR				JPJ2548-01-010	P1091232		1-	A	F1
J 2022	CONNECTOR				YKB21-5296N	P1091233		1-	A	F1
J 2023	CONNECTOR				SB20-08WS	P0090615		1-	A	G1
J 2024	CONNECTOR				SB20-05WS	P0090612		1-	A	A2
J 2025	CONNECTOR				SB20-05WS	P0090612		1-	A	G3
J 2026	CONNECTOR				SB20-05WS	P0090612		1-	A	G3
J 2027	CONNECTOR				SB20-02WS	P0090609		1-	A	F3
J 2028	CONNECTOR				IMSA-9210B-1-03-GF	P0091410		1-	A	F3
J 2029	CONNECTOR				SB20-03WS	P0090610		1-	A	A3
J 2030	CONNECTOR				SB20-04WS	P0090611		1-	A	E3
J 2031	CONNECTOR				YKB21-5144	P1091234		1-	A	C1
J 2032	CONNECTOR				IMSA-9210B-1-03-GF	P0091410		1-	A	F2
JP2002	WIRE ASSY				AH010H	T9207166A		1-	A	E1
JP2003	WIRE ASSY				GRN 20 2/2	T50502000		1		
JP2004	WIRE ASSY				GRN 20 2/2	T50502000		1		
JP2005	WIRE ASSY				GRN 20 2/2	T50502000		1		
JP2006	WIRE ASSY				GRN 20 2/2	T50502000		1		
JP2007	WIRE ASSY				GRN 90 2/2	T50509000		1		
JP2008	WIRE ASSY				GRN 35 (3)/(3)	T51503512		1		
JP2009	WIRE ASSY				GRN 35 (3)/(3)	T51503512		1		
JP2010	WIRE ASSY				GRN 35 (3)/(3)	T51503512		1		
JP2011	WIRE ASSY				GRN 20 2/2	T50502000		1-3		
JP2012	WIRE ASSY				RED 20 2/2	T50202000		2-3		
L 2001	M.RFC	1000uH			LLM3225-102J	L1691157		1-	A	B1
L 2002	M.RFC	4.7uH			LLM3225-4R7J	L1691129		1-	A	A1
L 2003	M.RFC	1000uH			LLM3225-102J	L1691157		1-	A	B1
L 2004	M.RFC	1000uH			LLM3225-102J	L1691157		1-	A	F1
P 2004	CONNECTOR				9215H-GF	P1090743		1-		
P 2006	CONNECTOR				9215H-GF	P1090743		1-		
Q 2001	TRANSISTOR				2SC4154-T11-1E	G3341548E		1-	A	F3
Q 2005	TRANSISTOR				2SC4154-T11-1E	G3341548E		1-	A	A3
Q 2006	TRANSISTOR				2SC4154-T11-1E	G3341548E		1-	A	B3
Q 2008	TRANSISTOR				2SC4154-T11-1E	G3341548E		1-	A	F3
Q 2009	IC				NJM4558V-TE1	G1093250		1-	A	B3
Q 2010	IC				NJM4558V-TE1	G1093250		1-	A	F2
Q 2011	IC				NJM2902V-TE1	G1091679		1-	A	E3
Q 2012	IC				M51132FP 600C	G1091930		1-	A	F2
Q 2015	TRANSISTOR				DTC114EUA T106	G3070084		1-	A	A2
Q 2016	TRANSISTOR				2SC4154-T11-1E	G3341548E		1-	A	G2
Q 2017	TRANSISTOR				DTC114EUA T106	G3070084		1-	A	B3
Q 2019	TRANSISTOR				2SC4154-T11-1E	G3341548E		1-	A	B2
Q 2020	TRANSISTOR				2SC4154-T11-1E	G3341548E		1-	A	B3
Q 2023	IC				NJM2904V-TE1	G1091677		1-	A	C3
Q 2025	IC				M51132FP 600C	G1091930		1-	A	B2
Q 2026	IC				NJM4558V-TE1	G1093250		1-	A	D2
Q 2027	IC				NJM4558V-TE1	G1093250		1-	A	D2
Q 2028	IC				CD4066BPWR	G1093865		1-	A	C2
Q 2031	IC				SN74LVC2G66DCTR	G1094049		1-	A	C3
Q 2033	IC				SN74LVC2G66DCTR	G1094049		1-	A	D2
Q 2034	IC				SN74LVC2G53DCTR	G1094048		1-	A	D2
Q 2035	IC				SN74LVC2G53DCTR	G1094048		1-	A	B2
Q 2036	IC				SN74LVC2G53DCTR	G1094048		1-	A	B2
Q 2037	IC				LM4881MX	G1093712		1-	A	D2
Q 2042	IC				SN74LVC2G53DCTR	G1094048		1-	A	B2
Q 2043	IC				LA4425A	G1092241		1-	A	C1
Q 2044	IC				LA4425A	G1092241		1-	A	E1
Q 2048	IC				NJM4558V-TE1	G1093250		1-	A	E1
Q 2049	IC				BU2099FV-E2	G1093243		1-	A	D3
Q 2050	IC				BU2505FV-E2	G1093714		1-	A	D3
Q 2051	TRANSISTOR				DTC114EUA T106	G3070084		1-	A	D2
Q 2052	TRANSISTOR				DTC114EUA T106	G3070084		1-	A	D2
Q 2053	TRANSISTOR				2SD2403GY-T1	G3424038Y		1-	A	C1
Q 2054	TRANSISTOR				2SD2403GY-T1	G3424038Y		1-	A	E1
Q 2055	IC				BU2099FV-E2	G1093243		1-	A	D3
Q 2056	TRANSISTOR				2SC4154-T11-1E	G3341548E		1-	A	C1
Q 2057	TRANSISTOR				2SC4154-T11-1E	G3341548E		1-	A	E1
Q 2058	POLY SWITCH				MINISMDC0505-02	G9090143		1-	A	F1
Q 2059	IC				SN74LVC2G53DCTR	G1094048		1-	A	C3
Q 2060	TRANSISTOR				DTC114EUA T106	G3070084		1-	A	D2
Q 2061	FET				2SK209GR TE85R	G3802097G		1-	A	B2



REF	DESCRIPTION	VALUE	V/W	TOL.	MFR'S DESIG	VXSTD P/N	VERS.	LOT	SIDE	LAY ADR
Q 2062	FET				2SK209GR TE85R	G3802097G		1-	A	B3
Q 2063	TRANSISTOR				DTC114EUA T106	G3070084		1-	A	B2
Q 2064	TRANSISTOR				DTC114EUA T106	G3070084		1-	A	B2
Q 2065	IC				M51132FP 600C	G1091930		1-	A	E2
Q 2067	IC				NJM2761RB2-TE1	G1094114		1-	A	C2
Q 2068	IC				NJM2761RB2-TE1	G1094114		1-	A	C2
Q 2069	IC				SN74LVC2G53DCTR	G1094048		1-	A	C2
Q 2070	IC				SN74LVC2G53DCTR	G1094048		1-	A	C2
Q 2071	IC				NJM2082V-TE1	G1094113		1-	A	F2
Q 2072	IC				SN74LVC2G53DCTR	G1094048		1-	A	F2
Q 2073	IC				SN74LVC2G53DCTR	G1094048		1-	A	F2
Q 2074	IC				SN74LVC2G53DCTR	G1094048		1-	A	E2
Q 2075	IC				CD4053BPWR	G1093864		1-	A	A2
Q 2076	IC				SN74LVC2G53DCTR	G1094048		1-	A	A2
Q 2081	IC				SN74LVC2G53DCTR	G1094048		1-	A	F2
Q 2082	TRANSISTOR				DTC114EUA T106	G3070084		1-	A	F2
Q 2084	TRANSISTOR				2SC4117GR(TAPE)	G3341177G		1-	A	F3
Q 2085	IC				SN74LVC2G53DCTR	G1094048		1-	A	A3
Q 2086	IC				SN74LVC2G53DCTR	G1094048		1-	A	A3
Q 2087	IC				SN74LVC2G53DCTR	G1094048		1-	A	E3
Q 2088	IC				SN74LVC2G53DCTR	G1094048		1-	A	E3
Q 2089	IC				NJM2904V-TE1	G1091677		1-	A	C2
Q 2090	IC				NJM2904V-TE1	G1091677		1-	A	A2
Q 2091	TRANSISTOR				DTC144EK T146	G3070033		1	A	F3
Q 2091	TRANSISTOR				2SA2088 T106 Q	G3120888Q		2-	A	F3
Q 2092	TRANSISTOR				DTA144EK T146	G3070069		1	A	F3
Q 2092	TRANSISTOR				2SC4117GR(TAPE)	G3341177G		2-	A	F3
R 2001	CHIP RES.	330	1/16W	5%	RMC1/16 331JATP	J24185331		1-	A	E3
R 2003	CHIP RES.	18k	1/16W	5%	RMC1/16 183JATP	J24185183		1-	A	A3
R 2004	CHIP RES.	18k	1/16W	5%	RMC1/16 183JATP	J24185183		1-	A	B3
R 2006	CHIP RES.	10k	1/16W	5%	RMC1/16 103JATP	J24185103		1-	A	A3
R 2007	CHIP RES.	10k	1/16W	5%	RMC1/16 103JATP	J24185103		1-	A	B3
R 2008	CHIP RES.	47k	1/16W	5%	RMC1/16 473JATP	J24185473		1-	A	F3
R 2009	CHIP RES.	100	1/16W	5%	RMC1/16 101JATP	J24185101		1-	A	A3
R 2010	CHIP RES.	1k	1/16W	5%	RMC1/16 102JATP	J24185102		1-	A	A3
R 2011	CHIP RES.	100	1/16W	5%	RMC1/16 101JATP	J24185101		1-	A	B3
R 2012	CHIP RES.	1k	1/16W	5%	RMC1/16 102JATP	J24185102		1-	A	B3
R 2014	CHIP RES.	3.3k	1/16W	5%	RMC1/16 332JATP	J24185332		1-	A	F3
R 2015	CHIP RES.	68	1/16W	5%	RMC1/16 680JATP	J24185680		1-	A	F3
R 2016	CHIP RES.	1k	1/16W	5%	RMC1/16 102JATP	J24185102		1-	A	F3
R 2018	CHIP RES.	10k	1/16W	5%	RMC1/16 103JATP	J24185103		1-	A	B3
R 2019	CHIP RES.	10k	1/16W	5%	RMC1/16 103JATP	J24185103		1-	A	A3
R 2020	CHIP RES.	22k	1/16W	5%	RMC1/16 223JATP	J24185223		1-	A	F3
R 2021	CHIP RES.	10k	1/16W	5%	RMC1/16 103JATP	J24185103		1-	A	B3
R 2023	CHIP RES.	10k	1/16W	5%	RMC1/16 103JATP	J24185103		1-	A	B3
R 2024	CHIP RES.	100	1/16W	5%	RMC1/16 101JATP	J24185101		1-	A	F3
R 2026	CHIP RES.	68k	1/16W	5%	RMC1/16 683JATP	J24185683		1-	A	F3
R 2028	CHIP RES.	4.7k	1/16W	5%	RMC1/16 472JATP	J24185472		1-	A	E3
R 2029	CHIP RES.	1k	1/16W	5%	RMC1/16 102JATP	J24185102		1-	A	F2
R 2030	CHIP RES.	220	1/16W	5%	RMC1/16 221JATP	J24185221		1-	A	F2
R 2031	CHIP RES.	2.2k	1/16W	5%	RMC1/16 222JATP	J24185222		1-	A	E3
R 2032	CHIP RES.	2.2k	1/16W	5%	RMC1/16 222JATP	J24185222		1-	A	E3
R 2035	CHIP RES.	470k	1/16W	5%	RMC1/16 474JATP	J24185474		1-	A	E3
R 2036	CHIP RES.	100	1/16W	5%	RMC1/16 101JATP	J24185101		1-	A	F2
R 2037	CHIP RES.	470k	1/16W	5%	RMC1/16 474JATP	J24185474		1-	A	E3
R 2038	CHIP RES.	2.2k	1/16W	5%	RMC1/16 222JATP	J24185222		1-	A	E3
R 2039	CHIP RES.	10k	1/16W	5%	RMC1/16 103JATP	J24185103		1-	A	F1
R 2040	CHIP RES.	2.2k	1/16W	5%	RMC1/16 222JATP	J24185222		1-	A	E3
R 2041	CHIP RES.	10k	1/16W	5%	RMC1/16 103JATP	J24185103		1-	A	F2
R 2042	CHIP RES.	10k	1/16W	5%	RMC1/16 103JATP	J24185103		1-	A	E2
R 2047	CHIP RES.	1k	1/16W	5%	RMC1/16 102JATP	J24185102		1-	A	F2
R 2048	CHIP RES.	330k	1/16W	5%	RMC1/16 334JATP	J24185334		1-	A	E3
R 2049	CHIP RES.	3.3M	1/16W	5%	RMC1/16 335JATP	J24185335		1-	A	E3
R 2051	CHIP RES.	100k	1/16W	5%	RMC1/16 104JATP	J24185104		1-	A	E3
R 2052	CHIP RES.	10k	1/16W	5%	RMC1/16 103JATP	J24185103		1-	A	E3
R 2053	CHIP RES.	2.2M	1/16W	5%	RMC1/16 225JATP	J24185225		1-	A	E2
R 2056	CHIP RES.	10k	1/16W	5%	RMC1/16 103JATP	J24185103		1-	A	E3
R 2057	CHIP RES.	10k	1/16W	5%	RMC1/16 103JATP	J24185103		1-	A	E3
R 2058	CHIP RES.	0	1/16W	5%	RMC1/16 000JATP	J24185000		1-	A	E3
R 2059	CHIP RES.	47k	1/16W	5%	RMC1/16 473JATP	J24185473		1-	A	F2
R 2060	CHIP RES.	4.7k	1/16W	5%	RMC1/16 472JATP	J24185472		1-	A	F2
R 2061	CHIP RES.	10k	1/16W	5%	RMC1/16 103JATP	J24185103		1-	A	E2
R 2062	CHIP RES.	10k	1/16W	5%	RMC1/16 103JATP	J24185103		1-	A	E3

# AF Unit

## Parts List

REF	DESCRIPTION	VALUE	V/W	TOL.	MFR'S DESIG	VXSTD P/N	VERS.	LOT	SIDE	LAY ADR
R 2063	CHIP RES.	10k	1/16W	5%	RMC1/16 103JATP	J24185103		1-	A	E3
R 2066	CHIP RES.	1M	1/16W	5%	RMC1/16 105JATP	J24185105		1-	A	E2
R 2067	CHIP RES.	10k	1/16W	5%	RMC1/16 103JATP	J24185103		1-	A	E3
R 2068	CHIP RES.	100	1/16W	5%	RMC1/16 101JATP	J24185101		1-	A	G2
R 2069	CHIP RES.	2.2k	1/16W	5%	RMC1/16 222JATP	J24185222		1-	A	G2
R 2070	CHIP RES.	22k	1/16W	5%	RMC1/16 223JATP	J24185223		1-	A	G2
R 2071	CHIP RES.	68	1/16W	5%	RMC1/16 680JATP	J24185680		1-	A	G2
R 2072	CHIP RES.	470	1/16W	5%	RMC1/16 471JATP	J24185471		1-	A	G2
R 2075	CHIP RES.	100	1/16W	5%	RMC1/16 101JATP	J24185101		1-	A	G2
R 2076	CHIP RES.	18k	1/16W	5%	RMC1/16 183JATP	J24185183		1-	A	G2
R 2077	CHIP RES.	10k	1/16W	5%	RMC1/16 103JATP	J24185103		1-	A	G2
R 2078	CHIP RES.	1k	1/16W	5%	RMC1/16 102JATP	J24185102		1-	A	E2
R 2079	CHIP RES.	10k	1/16W	5%	RMC1/16 103JATP	J24185103		1-	A	C3
R 2081	CHIP RES.	1k	1/16W	5%	RMC1/16 102JATP	J24185102		1-	A	F1
R 2084	CHIP RES.	0	1/16W	5%	RMC1/16 000JATP	J24185000		1-	A	C3
R 2085	CHIP RES.	2.2k	1/16W	5%	RMC1/16 222JATP	J24185222		1-	A	C3
R 2086	CHIP RES.	1k	1/16W	5%	RMC1/16 102JATP	J24185102		1-	A	F1
R 2087	CHIP RES.	2.2k	1/16W	5%	RMC1/16 222JATP	J24185222		1-	A	C3
R 2090	CHIP RES.	22k	1/16W	5%	RMC1/16 223JATP	J24185223		1-	A	B2
R 2091	CHIP RES.	22k	1/16W	5%	RMC1/16 223JATP	J24185223		1-	A	B3
R 2092	CHIP RES.	68k	1/16W	5%	RMC1/16 683JATP	J24185683		1-	A	B2
R 2093	CHIP RES.	68k	1/16W	5%	RMC1/16 683JATP	J24185683		1-	A	B3
R 2098	CHIP RES.	10k	1/16W	5%	RMC1/16 103JATP	J24185103		1-	A	C2
R 2099	CHIP RES.	10k	1/16W	5%	RMC1/16 103JATP	J24185103		1-	A	B2
R 2100	CHIP RES.	10k	1/16W	5%	RMC1/16 103JATP	J24185103		1-	A	C3
R 2101	CHIP RES.	10k	1/16W	5%	RMC1/16 103JATP	J24185103		1-	A	B3
R 2105	CHIP RES.	100	1/16W	5%	RMC1/16 101JATP	J24185101		1-	A	B2
R 2106	CHIP RES.	3.3k	1/16W	5%	RMC1/16 332JATP	J24185332		1-	A	B2
R 2107	CHIP RES.	220	1/16W	5%	RMC1/16 221JATP	J24185221		1-	A	B2
R 2108	CHIP RES.	1k	1/16W	5%	RMC1/16 102JATP	J24185102		1-	A	B2
R 2109	CHIP RES.	100	1/16W	5%	RMC1/16 101JATP	J24185101		1-	A	B3
R 2110	CHIP RES.	3.3k	1/16W	5%	RMC1/16 332JATP	J24185332		1-	A	B3
R 2111	CHIP RES.	220	1/16W	5%	RMC1/16 221JATP	J24185221		1-	A	B3
R 2112	CHIP RES.	1k	1/16W	5%	RMC1/16 102JATP	J24185102		1-	A	B3
R 2114	CHIP RES.	10k	1/16W	5%	RMC1/16 103JATP	J24185103		1-	A	C2
R 2117	CHIP RES.	10k	1/16W	5%	RMC1/16 103JATP	J24185103		1-	A	C3
R 2118	CHIP RES.	150k	1/16W	5%	RMC1/16 154JATP	J24185154		1-	A	B2
R 2119	CHIP RES.	150k	1/16W	5%	RMC1/16 154JATP	J24185154		1-	A	B3
R 2120	CHIP RES.	4.7k	1/16W	5%	RMC1/16 472JATP	J24185472		1-	A	B2
R 2121	CHIP RES.	4.7k	1/16W	5%	RMC1/16 472JATP	J24185472		1-	A	B2
R 2122	CHIP RES.	470k	1/16W	5%	RMC1/16 474JATP	J24185474		1-	A	C3
R 2123	CHIP RES.	100k	1/16W	5%	RMC1/16 104JATP	J24185104		1-	A	C3
R 2129	CHIP RES.	100	1/16W	5%	RMC1/16 101JATP	J24185101		1-	A	C2
R 2134	CHIP RES.	100k	1/16W	5%	RMC1/16 104JATP	J24185104		1-	A	C2
R 2135	CHIP RES.	1k	1/16W	5%	RMC1/16 102JATP	J24185102		1-	A	C2
R 2136	CHIP RES.	100k	1/16W	5%	RMC1/16 104JATP	J24185104		1-	A	C3
R 2137	CHIP RES.	10k	1/16W	5%	RMC1/16 103JATP	J24185103		1-	A	B1
R 2138	CHIP RES.	10k	1/16W	5%	RMC1/16 103JATP	J24185103		1-	A	D2
R 2139	CHIP RES.	10k	1/16W	5%	RMC1/16 103JATP	J24185103		1-	A	D2
R 2140	CHIP RES.	10k	1/16W	5%	RMC1/16 103JATP	J24185103		1-	A	D2
R 2141	CHIP RES.	10k	1/16W	5%	RMC1/16 103JATP	J24185103		1-	A	D2
R 2142	CHIP RES.	47k	1/16W	5%	RMC1/16 473JATP	J24185473		1-	A	C2
R 2143	CHIP RES.	47k	1/16W	5%	RMC1/16 473JATP	J24185473		1-	A	C3
R 2144	CHIP RES.	47k	1/16W	5%	RMC1/16 473JATP	J24185473		1-	A	C3
R 2145	CHIP RES.	47k	1/16W	5%	RMC1/16 473JATP	J24185473		1-	A	C3
R 2146	CHIP RES.	47k	1/16W	5%	RMC1/16 473JATP	J24185473		1-	A	C3
R 2147	CHIP RES.	10k	1/16W	5%	RMC1/16 103JATP	J24185103		1-	A	B2
R 2148	CHIP RES.	470k	1/16W	5%	RMC1/16 474JATP	J24185474		1-	A	B2
R 2149	CHIP RES.	470k	1/16W	5%	RMC1/16 474JATP	J24185474		1-	A	B2
R 2150	CHIP RES.	100k	1/16W	5%	RMC1/16 104JATP	J24185104		1-	A	C2
R 2152	CHIP RES.	10k	1/16W	5%	RMC1/16 103JATP	J24185103		1-	A	B2
R 2153	CHIP RES.	10k	1/16W	5%	RMC1/16 103JATP	J24185103		1-	A	B2
R 2158	CHIP RES.	0	1/16W	5%	RMC1/16 000JATP	J24185000		1-	A	C2
R 2161	CHIP RES.	1k	1/16W	5%	RMC1/16 102JATP	J24185102		1-	A	C2
R 2162	CHIP RES.	10k	1/16W	5%	RMC1/16 103JATP	J24185103		1-	A	D2
R 2163	CHIP RES.	10k	1/16W	5%	RMC1/16 103JATP	J24185103		1-	A	D2
R 2164	CHIP RES.	1k	1/16W	5%	RMC1/16 102JATP	J24185102		1-	A	D2
R 2164	CHIP RES.	4.7k	1/16W	5%	RMC1/16 472JATP	J24185472		4-	A	D2
R 2165	CHIP RES.	1k	1/16W	5%	RMC1/16 102JATP	J24185102		1-	A	D2
R 2165	CHIP RES.	4.7k	1/16W	5%	RMC1/16 472JATP	J24185472		4-	A	D2
R 2166	CHIP RES.	0	1/16W	5%	RMC1/16 000JATP	J24185000	W/O DUAL RX	2-	A	D2
R 2168	CHIP RES.	33k	1/16W	5%	RMC1/16 333JATP	J24185333		1-	A	A2
R 2170	CHIP RES.	33k	1/16W	5%	RMC1/16 333JATP	J24185333		1-	A	A2

# AF Unit

## Parts List

REF	DESCRIPTION	VALUE	V/W	TOL.	MFR'S DESIG	VXSTD P/N	VERS.	LOT	SIDE	LAY ADR
R 2172	CHIP RES.	10k	1/16W	5%	RMC1/16 103JATP	J24185103		1-	A	D2
R 2172	CHIP RES.	22k	1/16W	5%	RMC1/16 223JATP	J24185223		4-	A	D2
R 2179	CHIP RES.	47k	1/16W	5%	RMC1/16 473JATP	J24185473		1-	A	D2
R 2184	CHIP RES.	10k	1/16W	5%	RMC1/16 103JATP	J24185103		1-	A	D2
R 2184	CHIP RES.	22k	1/16W	5%	RMC1/16 223JATP	J24185223		4-	A	D2
R 2189	CHIP RES.	47k	1/16W	5%	RMC1/16 473JATP	J24185473		1-	A	B2
R 2192	CHIP RES.	47k	1/16W	5%	RMC1/16 473JATP	J24185473		1-	A	B2
R 2197	CHIP RES.	10	1/4W	5%	RMC1/4 100JATP	J24245100		1-	A	D2
R 2198	CHIP RES.	1k	1/16W	5%	RMC1/16 102JATP	J24185102		1-	A	D2
R 2199	CHIP RES.	47k	1/16W	5%	RMC1/16 473JATP	J24185473		1-	A	D2
R 2200	CHIP RES.	47k	1/16W	5%	RMC1/16 473JATP	J24185473		1-	A	D2
R 2205	CHIP RES.	100k	1/16W	5%	RMC1/16 104JATP	J24185104		1-	A	F1
R 2206	CHIP RES.	10k	1/16W	5%	RMC1/16 103JATP	J24185103		1-	A	F1
R 2209	CHIP RES.	10k	1/16W	5%	RMC1/16 103JATP	J24185103		1-	A	F1
R 2210	CHIP RES.	1k	1/16W	5%	RMC1/16 102JATP	J24185102		1-	A	D1
R 2211	CHIP RES.	120k	1/16W	5%	RMC1/16 124JATP	J24185124		1-	A	F1
R 2212	CHIP RES.	10k	1/16W	5%	RMC1/16 103JATP	J24185103		1-	A	F1
R 2213	CHIP RES.	47k	1/16W	5%	RMC1/16 473JATP	J24185473		1-	A	F1
R 2214	CHIP RES.	47k	1/16W	5%	RMC1/16 473JATP	J24185473		1-	A	F1
R 2215	CHIP RES.	1k	1/16W	5%	RMC1/16 102JATP	J24185102		1-	A	D1
R 2218	CHIP RES.	330	1/4W	5%	RMC1/4 331JATP	J24245331		1-	A	D2
R 2219	CHIP RES.	330	1/4W	5%	RMC1/4 331JATP	J24245331		1-	A	D2
R 2220	CHIP RES.	1k	1/16W	5%	RMC1/16 102JATP	J24185102		1-	A	E1
R 2221	CHIP RES.	1k	1/16W	5%	RMC1/16 102JATP	J24185102		1-	A	A1
R 2222	CHIP RES.	10k	1/16W	5%	RMC1/16 103JATP	J24185103		1-	A	D3
R 2223	CHIP RES.	10k	1/16W	5%	RMC1/16 103JATP	J24185103		1-	A	D3
R 2224	CHIP RES.	10k	1/16W	5%	RMC1/16 103JATP	J24185103		1-	A	D3
R 2225	CHIP RES.	15k	1/16W	5%	RMC1/16 153JATP	J24185153		1-	A	E3
R 2226	CHIP RES.	15k	1/16W	5%	RMC1/16 153JATP	J24185153		1-	A	E3
R 2227	CHIP RES.	15k	1/16W	5%	RMC1/16 153JATP	J24185153		1-	A	D3
R 2228	CHIP RES.	10	1/16W	5%	RMC1/16 100JATP	J24185100		1-	A	D3
R 2229	CHIP RES.	2.2k	1/16W	5%	RMC1/16 222JATP	J24185222		1-	A	B1
R 2230	CHIP RES.	2.2k	1/16W	5%	RMC1/16 222JATP	J24185222		1-	A	E1
R 2232	CHIP RES.	0	1/16W	5%	RMC1/16 000JATP	J24185000		1-	A	E1
R 2233	CHIP RES.	4.7k	1/16W	5%	RMC1/16 472JATP	J24185472		1-	A	E1
R 2234	CHIP RES.	0	1/16W	5%	RMC1/16 000JATP	J24185000		1-	A	E2
R 2235	CHIP RES.	10k	1/16W	5%	RMC1/16 103JATP	J24185103		1-	A	E2
R 2236	CHIP RES.	10k	1/16W	5%	RMC1/16 103JATP	J24185103		1-	A	E2
R 2237	CHIP RES.	1k	1/16W	5%	RMC1/16 102JATP	J24185102		1-	A	G1
R 2238	CHIP RES.	10k	1/16W	5%	RMC1/16 103JATP	J24185103		1-	A	C3
R 2239	CHIP RES.	10k	1/16W	5%	RMC1/16 103JATP	J24185103		1-	A	C3
R 2240	CHIP RES.	10k	1/16W	5%	RMC1/16 103JATP	J24185103		1-	A	C3
R 2241	CHIP RES.	10k	1/16W	5%	RMC1/16 103JATP	J24185103		1-	A	C3
R 2242	CHIP RES.	4.7k	1/16W	5%	RMC1/16 472JATP	J24185472		1-	A	D3
R 2243	CHIP RES.	0	1/16W	5%	RMC1/16 000JATP	J24185000		1-	A	D3
R 2245	CHIP RES.	4.7	1/16W	5%	RMC1/16 4R7JATP	J24185479		1-	A	G1
R 2246	CHIP RES.	470	1/16W	5%	RMC1/16 471JATP	J24185471		1-	A	G1
R 2247	CHIP RES.	470	1/16W	5%	RMC1/16 471JATP	J24185471		1-	A	G1
R 2248	CHIP RES.	470	1/16W	5%	RMC1/16 471JATP	J24185471		1-	A	G1
R 2249	CHIP RES.	470	1/16W	5%	RMC1/16 471JATP	J24185471		1-	A	F1
R 2250	CHIP RES.	0	1/16W	5%	RMC1/16 000JATP	J24185000		1-	A	E3
R 2251	CHIP RES.	0	1/16W	5%	RMC1/16 000JATP	J24185000		1-	A	E3
R 2254	CHIP RES.	0	1/16W	5%	RMC1/16 000JATP	J24185000		1-	A	E1
R 2255	CHIP RES.	0	1/16W	5%	RMC1/16 000JATP	J24185000		1-	A	E1
R 2256	CHIP RES.	0	1/16W	5%	RMC1/16 000JATP	J24185000		1-	A	C2
R 2259	CHIP RES.	220k	1/16W	5%	RMC1/16 224JATP	J24185224		1-	A	D2
R 2259	CHIP RES.	22k	1/16W	5%	RMC1/16 223JATP	J24185223		4-	A	D2
R 2260	CHIP RES.	220k	1/16W	5%	RMC1/16 224JATP	J24185224		1-	A	D2
R 2260	CHIP RES.	22k	1/16W	5%	RMC1/16 223JATP	J24185223		4-	A	D2
R 2262	CHIP RES.	4.7k	1/16W	5%	RMC1/16 472JATP	J24185472		1-	A	B2
R 2263	CHIP RES.	4.7k	1/16W	5%	RMC1/16 472JATP	J24185472		1-	A	B2
R 2264	CHIP RES.	68k	1/16W	5%	RMC1/16 683JATP	J24185683		1-	A	A2
R 2265	CHIP RES.	68k	1/16W	5%	RMC1/16 683JATP	J24185683		1-	A	B3
R 2266	CHIP RES.	100k	1/16W	5%	RMC1/16 104JATP	J24185104		1-	A	A2
R 2267	CHIP RES.	100k	1/16W	5%	RMC1/16 104JATP	J24185104		1-	A	B3
R 2268	CHIP RES.	4.7k	1/16W	5%	RMC1/16 472JATP	J24185472		1-	A	A2
R 2269	CHIP RES.	4.7k	1/16W	5%	RMC1/16 472JATP	J24185472		1-	A	B3
R 2270	CHIP RES.	100k	1/16W	5%	RMC1/16 104JATP	J24185104		1-	A	B2
R 2271	CHIP RES.	100k	1/16W	5%	RMC1/16 104JATP	J24185104		1-	A	B3
R 2272	CHIP RES.	100k	1/16W	5%	RMC1/16 104JATP	J24185104		1-	A	B2
R 2273	CHIP RES.	100k	1/16W	5%	RMC1/16 104JATP	J24185104		1-	A	B3
R 2274	CHIP RES.	1k	1/16W	5%	RMC1/16 102JATP	J24185102		1-	A	E2
R 2275	CHIP RES.	1k	1/16W	5%	RMC1/16 102JATP	J24185102		1-	A	E2

# AF Unit

## Parts List

REF	DESCRIPTION	VALUE	V/W	TOL.	MFR'S DESIG	VXSTD P/N	VERS.	LOT	SIDE	LAY ADR
R 2276	CHIP RES.	100	1/16W	5%	RMC1/16 101JATP	J24185101		1-	A	E2
R 2277	CHIP RES.	1k	1/16W	5%	RMC1/16 102JATP	J24185102		1-	A	E2
R 2278	CHIP RES.	100k	1/16W	5%	RMC1/16 104JATP	J24185104		1-	A	E2
R 2279	CHIP RES.	10k	1/16W	5%	RMC1/16 103JATP	J24185103		1-	A	E2
R 2280	CHIP RES.	10k	1/16W	5%	RMC1/16 103JATP	J24185103		1-	A	E2
R 2287	CHIP RES.	220k	1/16W	5%	RMC1/16 224JATP	J24185224		1-	A	C2
R 2288	CHIP RES.	220k	1/16W	5%	RMC1/16 224JATP	J24185224		1-	A	C2
R 2289	CHIP RES.	47k	1/16W	5%	RMC1/16 473JATP	J24185473		1-	A	C2
R 2290	CHIP RES.	47k	1/16W	5%	RMC1/16 473JATP	J24185473		1-	A	C2
R 2291	CHIP RES.	47k	1/16W	5%	RMC1/16 473JATP	J24185473		1-	A	F2
R 2296	CHIP RES.	1k	1/16W	5%	RMC1/16 102JATP	J24185102		1-	A	A2
R 2297	CHIP RES.	1k	1/16W	5%	RMC1/16 102JATP	J24185102		1-	A	A2
R 2298	CHIP RES.	47k	1/16W	5%	RMC1/16 473JATP	J24185473		1-	A	A2
R 2299	CHIP RES.	47k	1/16W	5%	RMC1/16 473JATP	J24185473		1-	A	A2
R 2300	CHIP RES.	47k	1/16W	5%	RMC1/16 473JATP	J24185473		1-	A	A2
R 2301	CHIP RES.	47k	1/16W	5%	RMC1/16 473JATP	J24185473		1-	A	A2
R 2302	CHIP RES.	47k	1/16W	5%	RMC1/16 473JATP	J24185473		1-	A	E2
R 2303	CHIP RES.	47k	1/16W	5%	RMC1/16 473JATP	J24185473		1-	A	F2
R 2304	CHIP RES.	47k	1/16W	5%	RMC1/16 473JATP	J24185473		1-	A	F2
R 2305	CHIP RES.	47k	1/16W	5%	RMC1/16 473JATP	J24185473		1-	A	F2
R 2306	CHIP RES.	10k	1/16W	5%	RMC1/16 103JATP	J24185103		1-	A	F3
R 2307	CHIP RES.	10k	1/16W	5%	RMC1/16 103JATP	J24185103		1-	A	F3
R 2308	CHIP RES.	33k	1/16W	5%	RMC1/16 333JATP	J24185333		1-	A	F2
R 2309	CHIP RES.	33k	1/16W	5%	RMC1/16 333JATP	J24185333		1-	A	F2
R 2310	CHIP RES.	10k	1/16W	5%	RMC1/16 103JATP	J24185103		1-	A	F2
R 2311	CHIP RES.	68k	1/16W	5%	RMC1/16 683JATP	J24185683		1-	A	F2
R 2315	CHIP RES.	100k	1/16W	5%	RMC1/16 104JATP	J24185104		1-	A	A2
R 2316	CHIP RES.	100k	1/16W	5%	RMC1/16 104JATP	J24185104		1-	A	A2
R 2317	CHIP RES.	100k	1/16W	5%	RMC1/16 104JATP	J24185104		1-	A	A2
R 2318	CHIP RES.	100k	1/16W	5%	RMC1/16 104JATP	J24185104		1-	A	A2
R 2319	CHIP RES.	100k	1/16W	5%	RMC1/16 104JATP	J24185104		1-	A	A2
R 2320	CHIP RES.	100k	1/16W	5%	RMC1/16 104JATP	J24185104		1-	A	A2
R 2321	CHIP RES.	100k	1/16W	5%	RMC1/16 104JATP	J24185104		1-	A	A2
R 2324	CHIP RES.	100k	1/16W	5%	RMC1/16 104JATP	J24185104		1-	A	E2
R 2325	CHIP RES.	100k	1/16W	5%	RMC1/16 104JATP	J24185104		1-	A	E2
R 2326	CHIP RES.	100k	1/16W	5%	RMC1/16 104JATP	J24185104		1-	A	E2
R 2328	CHIP RES.	100k	1/16W	5%	RMC1/16 104JATP	J24185104		1-	A	D2
R 2332	CHIP RES.	100k	1/16W	5%	RMC1/16 104JATP	J24185104		1-	A	F2
R 2333	CHIP RES.	100k	1/16W	5%	RMC1/16 104JATP	J24185104		1-	A	F2
R 2334	CHIP RES.	100k	1/16W	5%	RMC1/16 104JATP	J24185104		1-	A	F2
R 2335	CHIP RES.	2.2k	1/16W	5%	RMC1/16 222JATP	J24185222		1-	A	E3
R 2336	CHIP RES.	2.2k	1/16W	5%	RMC1/16 222JATP	J24185222		1-	A	E3
R 2337	CHIP RES.	100k	1/16W	5%	RMC1/16 104JATP	J24185104		1-	A	F2
R 2338	CHIP RES.	100k	1/16W	5%	RMC1/16 104JATP	J24185104		1-	A	F2
R 2339	CHIP RES.	100k	1/16W	5%	RMC1/16 104JATP	J24185104		1-	A	F2
R 2340	CHIP RES.	100k	1/16W	5%	RMC1/16 104JATP	J24185104		1-	A	C2
R 2341	CHIP RES.	100k	1/16W	5%	RMC1/16 104JATP	J24185104		1-	A	C2
R 2342	CHIP RES.	100k	1/16W	5%	RMC1/16 104JATP	J24185104		1-	A	D2
R 2343	CHIP RES.	100k	1/16W	5%	RMC1/16 104JATP	J24185104		1-	A	C2
R 2344	CHIP RES.	100k	1/16W	5%	RMC1/16 104JATP	J24185104		1-	A	C2
R 2345	CHIP RES.	100k	1/16W	5%	RMC1/16 104JATP	J24185104		1-	A	D2
R 2346	CHIP RES.	2.2k	1/16W	5%	RMC1/16 222JATP	J24185222		1-	A	C2
R 2347	CHIP RES.	2.2k	1/16W	5%	RMC1/16 222JATP	J24185222		1-	A	D2
R 2348	CHIP RES.	3.3k	1/16W	5%	RMC1/16 332JATP	J24185332		1-	A	F3
R 2349	CHIP RES.	6.8k	1/16W	5%	RMC1/16 682JATP	J24185682		1-	A	F3
R 2350	CHIP RES.	6.8k	1/16W	5%	RMC1/16 682JATP	J24185682		1-	A	F3
R 2351	CHIP RES.	1k	1/16W	5%	RMC1/16 102JATP	J24185102		1-	A	F3
R 2352	CHIP RES.	47k	1/16W	5%	RMC1/16 473JATP	J24185473		1-	A	A3
R 2353	CHIP RES.	100k	1/16W	5%	RMC1/16 104JATP	J24185104		1-	A	A3
R 2354	CHIP RES.	100k	1/16W	5%	RMC1/16 104JATP	J24185104		1-	A	A3
R 2355	CHIP RES.	100k	1/16W	5%	RMC1/16 104JATP	J24185104		1-	A	A3
R 2358	CHIP RES.	100k	1/16W	5%	RMC1/16 104JATP	J24185104		1-	A	A3
R 2359	CHIP RES.	100k	1/16W	5%	RMC1/16 104JATP	J24185104		1-	A	A3
R 2360	CHIP RES.	100k	1/16W	5%	RMC1/16 104JATP	J24185104		1-	A	E3
R 2361	CHIP RES.	100k	1/16W	5%	RMC1/16 104JATP	J24185104		1-	A	E3
R 2362	CHIP RES.	100k	1/16W	5%	RMC1/16 104JATP	J24185104		1-	A	E3
R 2363	CHIP RES.	100k	1/16W	5%	RMC1/16 104JATP	J24185104		1-	A	E3
R 2364	CHIP RES.	100k	1/16W	5%	RMC1/16 104JATP	J24185104		1-	A	E3
R 2365	CHIP RES.	47k	1/16W	5%	RMC1/16 473JATP	J24185473		1-	A	E3
R 2366	CHIP RES.	47k	1/16W	5%	RMC1/16 473JATP	J24185473		1-	A	D3
R 2368	CHIP RES.	2.2k	1/4W	5%	RMC1/4 222JATP	J24245222		1-	A	G3
R 2369	CHIP RES.	22k	1/16W	5%	RMC1/16 223JATP	J24185223		1-	A	C2
R 2370	CHIP RES.	100k	1/16W	5%	RMC1/16 104JATP	J24185104		1-	A	C2

# AF Unit

## Parts List

REF	DESCRIPTION	VALUE	V/W	TOL.	MFR'S DESIG	VXSTD P/N	VERS.	LOT	SIDE	LAY ADR
R 2371	CHIP RES.	100k	1/16W	5%	RMC1/16 104JATP	J24185104		1-	A	D2
R 2372	CHIP RES.	330k	1/16W	5%	RMC1/16 334JATP	J24185334		1-	A	D2
R 2373	CHIP RES.	330k	1/16W	5%	RMC1/16 334JATP	J24185334		1-	A	D2
R 2374	CHIP RES.	1k	1/16W	5%	RMC1/16 102JATP	J24185102		1-	A	B1
R 2375	CHIP RES.	1k	1/16W	5%	RMC1/16 102JATP	J24185102		1-	A	B1
R 2376	CHIP RES.	1k	1/16W	5%	RMC1/16 102JATP	J24185102		1-	A	B1
R 2377	CHIP RES.	100	1/16W	5%	RMC1/16 101JATP	J24185101		1-	A	F3
R 2378	CHIP RES.	100	1/16W	5%	RMC1/16 101JATP	J24185101		1-	A	E2
R 2379	CHIP RES.	2.2k	1/16W	5%	RMC1/16 222JATP	J24185222		1-	A	F2
R 2380	CHIP RES.	2.2k	1/16W	5%	RMC1/16 222JATP	J24185222		1-	A	F2
R 2381	CHIP RES.	470k	1/16W	5%	RMC1/16 474JATP	J24185474		1-	A	F2
R 2382	CHIP RES.	22k	1/16W	5%	RMC1/16 223JATP	J24185223		2-	A	F3
R 2383	CHIP RES.	100k	1/16W	5%	RMC1/16 104JATP	J24185104		2-	A	F3
R 2384	CHIP RES.	47k	1/16W	5%	RMC1/16 473JATP	J24185473		2-	A	F3
R 2385	CHIP RES.	470k	1/16W	5%	RMC1/16 474JATP	J24185474		2-	A	F3
R 2386	CHIP RES.	0	1/16W	5%	RMC1/16 000JATP	J24185000		2-	A	F3
R 2387	CARBON FILM RES.	2.2k	1/6W	5%	RD16TPJ222 2.2K	J07225222		1-	A	F2
R 2387	CHIP RES.	2.2k	1/16W	5%	RMC1/16 222JATP	J24185222		4-	A	F2
R 2388	CHIP RES.	6.8k	1/16W	5%	RMC1/16 682JATP	J24185682		1-	A	E2
R 2389	CHIP RES.	47k	1/16W	5%	RMC1/16 473JATP	J24185473		2-	A	F1
R 2390	CHIP RES.	0	1/16W	5%	RMC1/16 000JATP	J24185000		4-	A	D3
R 2391	CHIP RES.	220k	1/16W	5%	RMC1/16 224JATP	J24185224		4-	A	D2
R 2392	CHIP RES.	220k	1/16W	5%	RMC1/16 224JATP	J24185224		4-	A	D2
R 2393	CHIP RES.	10k	1/16W	5%	RMC1/16 103JATP	J24185103		4-	A	D2
R 2394	CHIP RES.	10k	1/16W	5%	RMC1/16 103JATP	J24185103		4-	A	D2
R 2395	CARBON FILM RES.	10	1/6W	5%	RD16PJ100 10	J01225100		4-		
R 2396	CARBON FILM RES.	10	1/6W	5%	RD16PJ100 10	J01225100		4-		
RL2001	RELAY		DC12V		AG4013 DC12V	M1190090		1-	A	D1
RL2002	RELAY		DC12V		AG4013 DC12V	M1190090		1-	A	D1
VR2001	POT.	10k			RH03A3A14X 10K	J51807103		1-	A	E3
VR2003	POT.	1k			RH03A3A13X 1K	J51807102		1-	A	A2
VR2004	POT.	1k			RH03A3A13X 1K	J51807102		1-	A	A2
	HEATSINK PLATE				(AF)	RA0659200		1-		

*AF Unit*

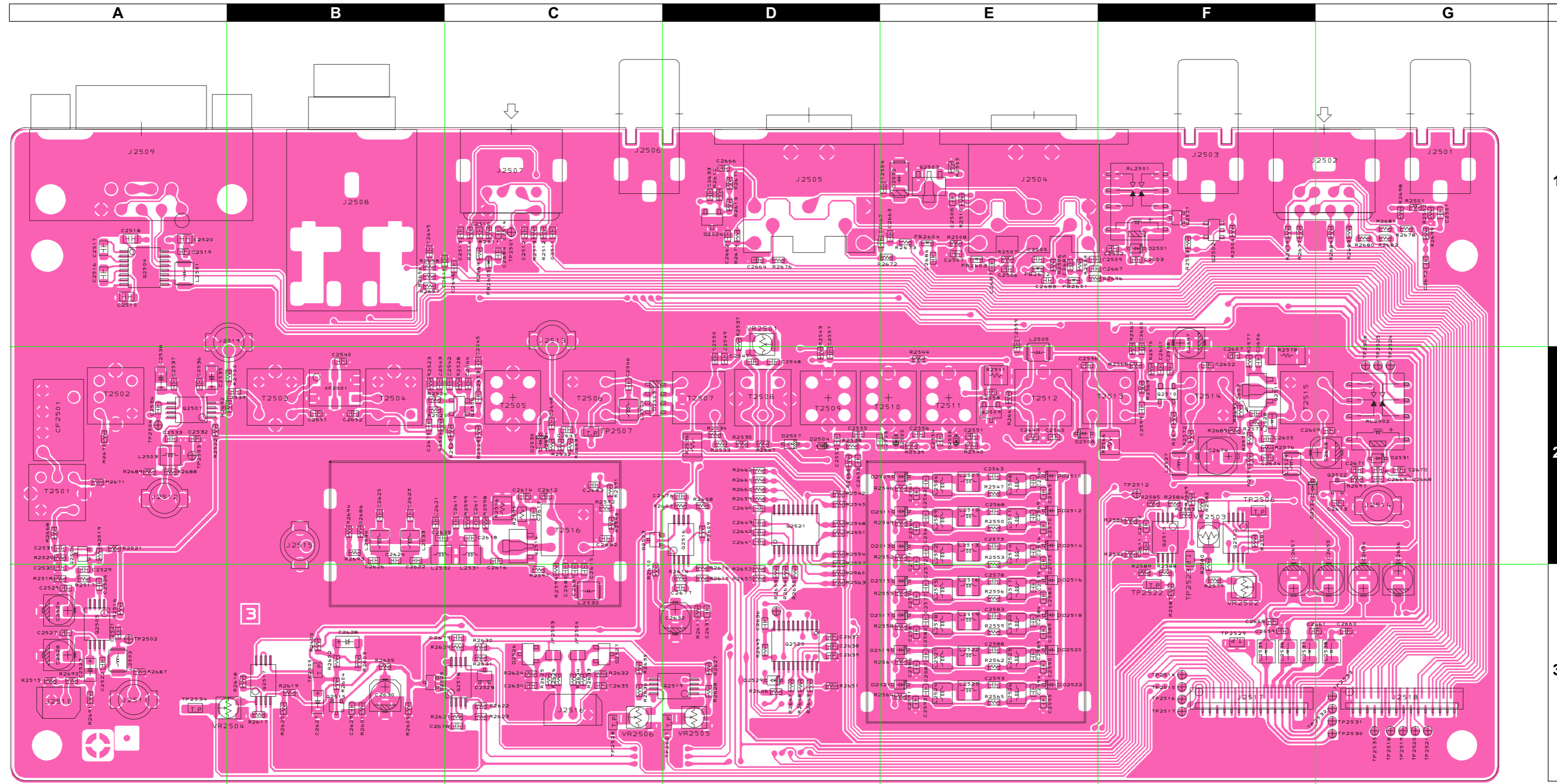
*Note*



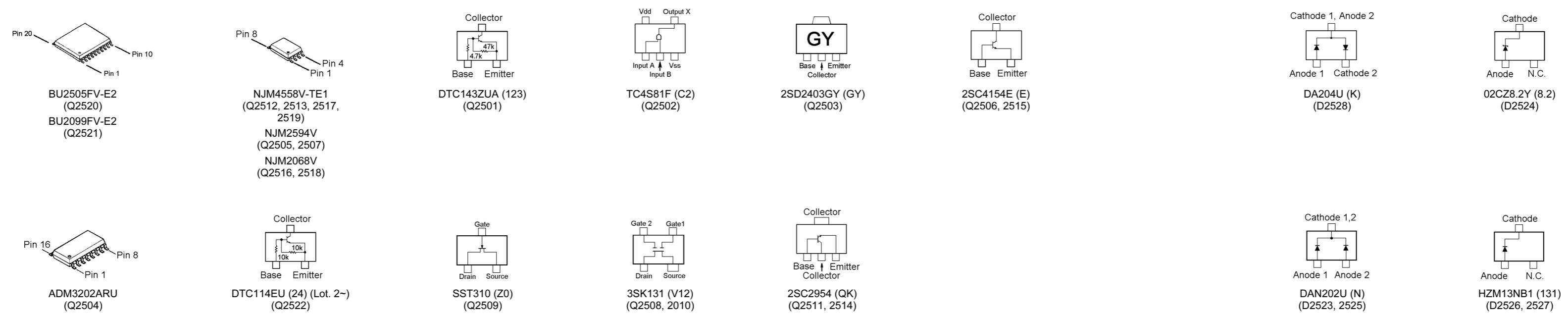
*TX Unit*

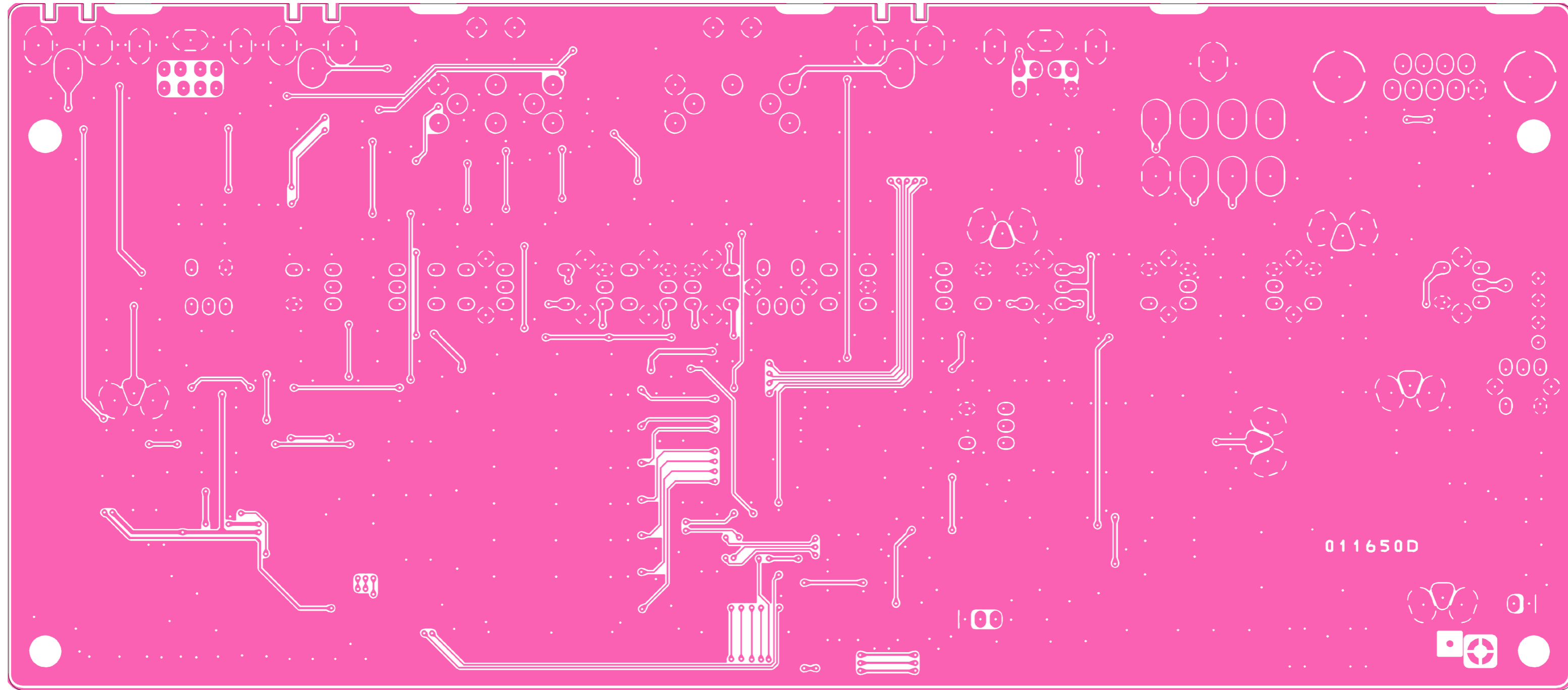
*Note*





Side A





Side B

REF	DESCRIPTION	VALUE	V/W	TOL.	MFR'S DESIG	VXSTD P/N	VERS.	LOT	SIDE	LAY ADR
PCB with Components						CB2741001	200W			
						CB2741002	400W			
						CB2741003	CE Type, 200W			
						CB2741004	CE Type, 400W			
Printed Circuit Board						FR011650B		1		
						FR011650C		2-		
						FR011650D		4-		
C 2501	CHIP CAP.	0.01uF	50V	B	GRM188B11H103KA01D	K22174823		1-	A	G1
C 2502	CHIP CAP.	0.01uF	50V	B	GRM188B11H103KA01D	K22174823		1-	A	F1
C 2503	CHIP CAP.	0.01uF	50V	B	GRM188B11H103KA01D	K22174823		1-	A	F1
C 2504	CHIP CAP.	0.01uF	50V	B	GRM188B11H103KA01D	K22174823		1-	A	E1
C 2505	CHIP CAP.	0.01uF	50V	B	GRM188B11H103KA01D	K22174823		1-	A	E1
C 2506	CHIP CAP.	0.01uF	50V	B	GRM188B11H103KA01D	K22174823		1-	A	E1
C 2507	CHIP CAP.	0.01uF	50V	B	GRM188B11H103KA01D	K22174823		1-	A	E1
C 2508	CHIP CAP.	0.01uF	50V	B	GRM188B11H103KA01D	K22174823		1-	A	E1
C 2509	CHIP CAP.	0.01uF	50V	B	GRM188B11H103KA01D	K22174823		1-	A	E1
C 2510	CHIP CAP.	0.001uF	50V	B	GRM188B11H102KA01D	K22174821		1-	A	C1
C 2511	CHIP CAP.	0.001uF	50V	B	GRM188B11H102KA01D	K22174821		1-	A	C1
C 2512	CHIP CAP.	0.001uF	50V	B	GRM188B11H102KA01D	K22174821		1-	A	C1
C 2513	CHIP CAP.	0.001uF	50V	B	GRM188B11H102KA01D	K22174821		1-	A	C1
C 2514	CHIP CAP.	0.001uF	50V	B	GRM188B11H102KA01D	K22174821		1-	A	C1
C 2515	CHIP CAP.	1uF			GRM21BB11C105KA01L	K22120809		1-	A	A1
C 2516	CHIP CAP.	1uF			GRM21BB11C105KA01L	K22120809		1-	A	A1
C 2517	CHIP CAP.	1uF			GRM21BB11C105KA01L	K22120809		1-	A	A1
C 2518	CHIP CAP.	1uF			GRM21BB11C105KA01L	K22120809		1-	A	A1
C 2519	CHIP CAP.	0.01uF	50V	B	GRM188B11H103KA01D	K22174823		1-	A	A1
C 2520	CHIP CAP.	1uF			GRM21BB11C105KA01L	K22120809		1-	A	A1
C 2521	CHIP CAP.	0.0015uF	50V	B	GRM188B11H152KA01D	K22174827		1-	A	A3
C 2522	CHIP CAP.	0.047uF	16V	B	GRM39B473K16PT	K22124804		1-	A	A3
C 2523	CHIP TA.CAP.	1uF	16V		TESVA1C105M1-8R	K78120009		1-	A	A3
C 2524	AL.ELECTRO.CAP.	10uF	35V		ECEV1VA100WR	K48160004		1-	A	A3
C 2525	CHIP CAP.	0.047uF	16V	B	GRM39B473K16PT	K22124804		1-	A	A3
C 2526	CHIP CAP.	0.047uF	16V	B	GRM39B473K16PT	K22124804		1-	A	A3
C 2527	CHIP CAP.	0.047uF	16V	B	GRM39B473K16PT	K22124804		1-	A	A3
C 2528	AL.ELECTRO.CAP.	10uF	35V		ECEV1VA100WR	K48160004		1-	A	A3
C 2529	CHIP CAP.	0.047uF	16V	B	GRM39B473K16PT	K22124804		1-	A	A3
C 2530	CHIP CAP.	0.047uF	16V	B	GRM39B473K16PT	K22124804		1-	A	A3
C 2531	CHIP CAP.	0.047uF	16V	B	GRM39B473K16PT	K22124804		1-	A	A2
C 2533	CHIP CAP.	0.01uF	50V	B	GRM188B11H103KA01D	K22174823		1-	A	A2
C 2534	CHIP CAP.	0.047uF	16V	B	GRM39B473K16PT	K22124804		1-	A	A2
C 2535	CHIP TA.CAP.	1uF	16V		TESVA1C105M1-8R	K78120009		1-	A	A2
C 2536	CHIP CAP.	0.01uF	50V	B	GRM188B11H103KA01D	K22174823		1-	A	A2
C 2537	CHIP CAP.	0.01uF	50V	B	GRM188B11H103KA01D	K22174823		1-	A	A2
C 2538	CHIP TA.CAP.	1uF	16V		TESVA1C105M1-8R	K78120009		1-	A	A2
C 2539	CHIP CAP.	0.01uF	50V	B	GRM188B11H103KA01D	K22174823		1-	A	B2
C 2540	CHIP CAP.	10pF	50V	CH	GRM1882C1H100JA01D	K22174211		1-	A	B2
C 2542	CHIP CAP.	0.01uF	50V	B	GRM188B11H103KA01D	K22174823		1-	A	C2
C 2543	CHIP CAP.	0.01uF	50V	B	GRM188B11H103KA01D	K22174823		1-	A	B2
C 2544	CHIP CAP.	0.01uF	50V	B	GRM188B11H103KA01D	K22174823		1-	A	C2
C 2545	CHIP CAP.	0.01uF	50V	B	GRM188B11H103KA01D	K22174823		1-	A	C2
C 2546	CHIP CAP.	15pF	50V	CH	GRM1882C1H150JA01D	K22174215		1-	A	C2
C 2549	CHIP CAP.	0.01uF	50V	B	GRM188B11H103KA01D	K22174823		1-	A	D2
C 2550	CHIP CAP.	0.047uF	16V	B	GRM39B473K16PT	K22124804		1-	A	D2
C 2551	CHIP CAP.	0.1uF	16V	B	GRM188B11C104KA01D	K22124805		1-	A	E2
C 2552	CHIP CAP.	0.001uF	50V	B	GRM188B11H102KA01D	K22174821		1-	A	D2
C 2553	CHIP CAP.	0.001uF	50V	B	GRM188B11H102KA01D	K22174821		1-	A	D2
C 2554	CHIP CAP.	0.001uF	50V	B	GRM188B11H102KA01D	K22174821		1-	A	E2
C 2555	CHIP CAP.	0.5pF	50V	CK	GRM1884C1HR50CZ01D	K22174201		1-	A	D2
C 2556	CHIP CAP.	0.5pF	50V	CK	GRM1884C1HR50CZ01D	K22174201		1-	A	E2
C 2557	CHIP CAP.	0.1uF	16V	B	GRM188B11C104KA01D	K22124805		1-	A	D2
C 2558	CHIP CAP.	0.01uF	50V	B	GRM188B11H103KA01D	K22174823		1-	A	E2
C 2559	CHIP CAP.	0.01uF	50V	B	GRM188B11H103KA01D	K22174823		1-	A	E2
C 2560	CHIP CAP.	0.01uF	50V	B	GRM188B11H103KA01D	K22174823		1-	A	E2
C 2561	CHIP CAP.	0.1uF	16V	B	GRM188B11C104KA01D	K22124805		1-	A	E2
C 2562	CHIP CAP.	270pF	50V	CH	GRM1882C1H271JA01D	K22174251		1-	A	E2
C 2563	CHIP CAP.	47pF	50V	CH	GRM1882C1H470JA01D	K22174227		1-	A	E2
C 2564	CHIP CAP.	270pF	50V	CH	GRM1882C1H271JA01D	K22174251		1-	A	E2
C 2565	CHIP CAP.	0.01uF	50V	B	GRM188B11H103KA01D	K22174823		1-	A	E2
C 2566	CHIP CAP.	0.1uF	16V	B	GRM188B11C104KA01D	K22124805		1-	A	E2
C 2567	CHIP CAP.	390pF	50V	CH	GRM1882C1H391JA01D	K22174255		1-	A	E2
C 2568	CHIP CAP.	82pF	50V	CH	GRM1882C1H820JA01D	K22174233		1-	A	E2
C 2569	CHIP CAP.	390pF	50V	CH	GRM1882C1H391JA01D	K22174255		1-	A	E2
C 2570	CHIP CAP.	0.01uF	50V	B	GRM188B11H103KA01D	K22174823		1-	A	E2

# TXUnit

## Parts List

REF	DESCRIPTION	VALUE	V/W	TOL.	MFR'S DESIG	VXSTD P/N	VERS.	LOT	SIDE	LAY ADR
C 2571	CHIP CAP.	0.1uF	16V	B	GRM188B11C104KA01D	K22124805		1-	A	E3
C 2572	CHIP CAP.	560pF	50V	B	GRM188B11H561KA01D	K22174806		1-	A	E2
C 2573	CHIP CAP.	120pF	50V	CH	GRM1882C1H121JA01D	K22174237		1-	A	E2
C 2574	CHIP CAP.	560pF	50V	B	GRM188B11H561KA01D	K22174806		1-	A	E2
C 2575	CHIP CAP.	0.01uF	50V	B	GRM188B11H103KA01D	K22174823		1-	A	E3
C 2576	CHIP CAP.	0.1uF	16V	B	GRM188B11C104KA01D	K22124805		1-	A	E3
C 2577	CHIP CAP.	820pF	50V	B	GRM188B11H821KA01D	K22174808		1-	A	E3
C 2578	CHIP CAP.	160pF	50V	CH	GRM1882C1H161JZ01D	K22174240		1-	A	E3
C 2579	CHIP CAP.	820pF	50V	B	GRM188B11H821KA01D	K22174808		1-	A	E3
C 2580	CHIP CAP.	0.047uF	16V	B	GRM39B473K16PT	K22124804		1-	A	E3
C 2581	CHIP CAP.	0.1uF	16V	B	GRM188B11C104KA01D	K22124805		1-	A	E3
C 2582	CHIP CAP.	0.001uF	50V	B	GRM188B11H102KA01D	K22174821		1-	A	E3
C 2583	CHIP CAP.	360pF	50V	CH	GRM39CH361J50PT	K22174254		1-	A	E3
C 2584	CHIP CAP.	0.001uF	50V	B	GRM188B11H102KA01D	K22174821		1-	A	E3
C 2585	CHIP CAP.	0.047uF	16V	B	GRM39B473K16PT	K22124804		1-	A	E3
C 2586	CHIP CAP.	0.1uF	16V	B	GRM188B11C104KA01D	K22124805		1-	A	E3
C 2587	CHIP CAP.	0.0018uF	50V	B	GRM188B11H182KA01D	K22174828		1-	A	E3
C 2588	CHIP CAP.	470pF	50V	CH	GRM1882C1H471JA01D	K22174249		1-	A	E3
C 2589	CHIP CAP.	0.0018uF	50V	B	GRM188B11H182KA01D	K22174828		1-	A	E3
C 2590	CHIP CAP.	0.047uF	16V	B	GRM39B473K16PT	K22124804		1-	A	E3
C 2591	CHIP CAP.	0.1uF	16V	B	GRM188B11C104KA01D	K22124805		1-	A	E3
C 2592	CHIP CAP.	0.0033uF	50V	B	GRM188B11H332KA01D	K22174831		1-	A	E3
C 2593	CHIP CAP.	560pF	50V	B	GRM188B11H561KA01D	K22174806		1-	A	E3
C 2594	CHIP CAP.	0.0033uF	50V	B	GRM188B11H332KA01D	K22174831		1-	A	E3
C 2595	CHIP CAP.	0.047uF	16V	B	GRM39B473K16PT	K22124804		1-	A	E3
C 2596	CHIP CAP.	0.047uF	16V	B	GRM39B473K16PT	K22124804		1-	A	E2
C 2597	AL.ELECTRO.CAP.	10uF	35V		ECEV1VA100WR	K48160004		1-	A	F1
C 2598	CHIP CAP.	0.047uF	16V	B	GRM39B473K16PT	K22124804		1-	A	F2
C 2599	CHIP CAP.	0.047uF	16V	B	GRM39B473K16PT	K22124804		1-	A	F2
C 2600	CHIP CAP.	0.047uF	16V	B	GRM39B473K16PT	K22124804		1-	A	F2
C 2601	CHIP CAP.	0.047uF	16V	B	GRM39B473K16PT	K22124804		1-	A	F2
C 2602	CHIP CAP.	0.047uF	16V	B	GRM39B473K16PT	K22124804		1-	A	F2
C 2603	CHIP CAP.	0.047uF	16V	B	GRM39B473K16PT	K22124804		1-	A	F2
C 2604	CHIP CAP.	0.047uF	16V	B	GRM39B473K16PT	K22124804		1-	A	F2
C 2606	CHIP CAP.	560pF	25V	CH	GRM39CH561J25PT	K22144201		1-	A	F2
C 2607	CHIP CAP.	0.047uF	16V	B	GRM39B473K16PT	K22124804		1-	A	F2
C 2608	AL.ELECTRO.CAP.	10uF	35V		ECEV1VA100WR	K48160004		1-	A	G2
C 2609	CHIP CAP.	0.047uF	16V	B	GRM39B473K16PT	K22124804		1-	A	G2
C 2612	CHIP CAP.	0.01uF	50V	B	GRM188B11H103KA01D	K22174823		1-	A	C2
C 2613	CHIP CAP.	120pF	50V	CH	GRM1882C1H121JA01D	K22174237		1-	A	C2
C 2614	CHIP CAP.	0.01uF	50V	B	GRM188B11H103KA01D	K22174823		1-	A	C2
C 2615	CHIP CAP.	0.01uF	50V	B	GRM188B11H103KA01D	K22174823		1-	A	C3
C 2616	CHIP CAP.	0.01uF	50V	B	GRM188B11H103KA01D	K22174823		1-	A	C2
C 2617	CHIP CAP.	22pF	50V	CH	GRM1882C1H220JA01D	K22174219		1-	A	C2
C 2618	CHIP CAP.	15pF	50V	CH	GRM1882C1H150JA01D	K22174215		1-	A	C2
C 2619	CHIP CAP.	47pF	50V	CH	GRM1882C1H470JA01D	K22174227		1-	A	C2
C 2620	CHIP CAP.	4pF	50V	CH	GRM1882C1H4R0CZ01D	K22174205		1-	A	B2
C 2621	CHIP CAP.	33pF	50V	CH	GRM1882C1H330JA01D	K22174223		1-	A	B2
C 2622	CHIP CAP.	82pF	50V	CH	GRM1882C1H820JA01D	K22174233		1-	A	B2
C 2623	CHIP CAP.	330pF	50V	CH	GRM1882C1H331JA01D	K22174253		1-	A	B2
C 2624	CHIP CAP.	56pF	50V	CH	GRM1882C1H560JA01D	K22174229		1-	A	B2
C 2625	CHIP CAP.	100pF	50V	CH	GRM1882C1H101JA01D	K22174235		1-	A	B2
C 2626	CHIP CAP.	120pF	50V	CH	GRM1882C1H121JA01D	K22174237		1-	A	B2
C 2627	CHIP TA.CAP.	0.22uF	35V		TESVA1V224M1-8R	K78160027		1-	A	B3
C 2628	CHIP TA.CAP.	0.47uF	25V		TESVA1E474M1-8R	K78140009		1-	A	B3
C 2629	CHIP CAP.	0.047uF	16V	B	GRM39B473K16PT	K22124804		1-	A	B3
C 2630	AL.ELECTRO.CAP.	10uF	35V		ECEV1VA100WR	K48160004		1-	A	B3
C 2631	CHIP CAP.	0.047uF	16V	B	GRM39B473K16PT	K22124804		1-	A	D3
C 2632	AL.ELECTRO.CAP.	10uF	35V		ECEV1VA100WR	K48160004		1-	A	D3
C 2633	CHIP CAP.	0.001uF	50V	B	GRM188B11H102KA01D	K22174821		1-	A	D1
C 2634	CHIP CAP.	100pF	50V	CH	GRM1882C1H101JA01D	K22174235		1-	A	C3
C 2635	CHIP CAP.	100pF	50V	CH	GRM1882C1H101JA01D	K22174235		1-	A	C3
C 2636	CHIP CAP.	0.047uF	16V	B	GRM39B473K16PT	K22124804		1-	A	D3
C 2640	CHIP CAP.	0.047uF	16V	B	GRM39B473K16PT	K22124804		1-	A	D2
C 2644	CHIP CAP.	0.001uF	50V	B	GRM188B11H102KA01D	K22174821		1-	A	B1
C 2645	CHIP CAP.	0.001uF	50V	B	GRM188B11H102KA01D	K22174821		1-	A	B1
C 2646	CHIP CAP.	0.001uF	50V	B	GRM188B11H102KA01D	K22174821		1-	A	C1
C 2647	CHIP CAP.	0.01uF	50V	B	GRM188B11H103KA01D	K22174823		1-	A	C2
C 2648	CHIP CAP.	0.01uF	50V	B	GRM188B11H103KA01D	K22174823		1-	A	C2
C 2649	CHIP CAP.	12pF	50V	CH	GRM1882C1H120JA01D	K22174213		1-	A	E2
C 2650	CHIP CAP.	0.001uF	50V	B	GRM188B11H102KA01D	K22174821		1-	A	D2
C 2651	CHIP CAP.	12pF	50V	CH	GRM1882C1H120JA01D	K22174213		1-	A	B2
C 2652	CHIP CAP.	12pF	50V	CH	GRM1882C1H120JA01D	K22174213		1-	A	B2

# TX Unit

## Parts List

REF	DESCRIPTION	VALUE	V/W	TOL.	MFR'S DESIG	VXSTD P/N	VERS.	LOT	SIDE	LAY ADR
C 2653	CHIP CAP.	16pF	50V	CH	GRM1882C1H160JZ01D	K22174216		1-	A	C2
C 2654	AL.ELECTRO.CAP.	10uF	35V		ECEV1VA100WR	K48160004		1-	A	G3
C 2655	AL.ELECTRO.CAP.	10uF	35V		ECEV1VA100WR	K48160004		1-	A	G3
C 2656	AL.ELECTRO.CAP.	10uF	35V		ECEV1VA100WR	K48160004		1-	A	G3
C 2657	AL.ELECTRO.CAP.	10uF	35V		ECEV1VA100WR	K48160004		1-	A	F3
C 2658	CHIP CAP.	0.01uF	50V	B	GRM188B11H103JA01D	K22174824		1-	A	F3
C 2659	CHIP CAP.	0.01uF	50V	B	GRM188B11H103JA01D	K22174824		1-	A	F3
C 2660	CHIP CAP.	0.01uF	50V	B	GRM188B11H103JA01D	K22174824		1-	A	G3
C 2661	CHIP CAP.	0.01uF	50V	B	GRM188B11H103JA01D	K22174824		1-	A	F3
C 2662	CHIP CAP.	0.001uF	50V	B	GRM188B11H102KA01D	K22174821		1-	A	D1
C 2663	CHIP CAP.	0.001uF	50V	B	GRM188B11H102KA01D	K22174821		1-	A	E1
C 2664	CHIP CAP.	0.001uF	50V	B	GRM188B11H102KA01D	K22174821		1-	A	D1
C 2665	CHIP CAP.	0.001uF	50V	B	GRM188B11H102KA01D	K22174821		1-	A	D1
C 2666	CHIP CAP.	220pF	50V	B	GRM188B11H221KA01D	K22174801		1-	A	D1
C 2668	CHIP CAP.	0.01uF	50V	B	GRM188B11H103KA01D	K22174823		2-	A	G2
C 2669	CHIP CAP.	0.1uF	16V	B	GRM188B11C104KA01D	K22124805		2-	A	G2
C 2670	CHIP CAP.	0.1uF	16V	B	GRM188B11C104KA01D	K22124805		2-	A	G2
C 2671	CHIP CAP.	0.1uF	16V	B	GRM188B11C104KA01D	K22124805		2-	A	G2
C 2672	CHIP CAP.	0.01uF	50V	B	GRM188B11H103KA01D	K22174823		2-	A	G1
C 2674	AL.ELECTRO.CAP.	22uF	16V		RC2-16V220MB	K40129013		1	A	F2
C 2674	AL.ELECTRO.CAP.	22uF	16V		ECEV1CA220SR	K48120002		2-	A	F2
C 2675	CERAMIC CAP.	33pF	50V	SL	UP050SL330J-A-B	K28179030		1-	A	B2
C 2675	CHIP CAP.	33pF	50V	CH	GRM1882C1H330JA01D	K22174223		4-	A	B2
C 2676	CHIP CAP.	47pF	50V	CH	GRM1882C1H470JA01D	K22174227		1-	A	D2
C 2677	CHIP CAP.	47pF	50V	CH	GRM1882C1H470JA01D	K22174227		1-	A	D3
C 2678	CHIP CAP.	47pF	50V	CH	GRM1882C1H470JA01D	K22174227		1-	A	C3
C 2679	CHIP CAP.	47pF	50V	CH	GRM1882C1H470JA01D	K22174227		1-	A	C3
C 2680	CHIP CAP.	0.001uF	50V	B	GRM188B11H102KA01D	K22174821		4-	A	C3
C 2681	CHIP CAP.	100pF	50V	CH	GRM1882C1H101JA01D	K22174235		4-	A	C3
C 2684	CHIP CAP.	100pF	50V	CH	GRM1882C1H101JA01D	K22174235		4-	A	C1
C 2685	CHIP CAP.	100pF	50V	CH	GRM1882C1H101JA01D	K22174235		4-	A	E1
C 2686	CHIP CAP.	100pF	50V	CH	GRM1882C1H101JA01D	K22174235		4-	A	E1
C 2687	CHIP CAP.	100pF	50V	CH	GRM1882C1H101JA01D	K22174235		4-	A	E1
C 2688	CHIP CAP.	100pF	50V	CH	GRM1882C1H101JA01D	K22174235		4-	A	E1
C 2689	CERAMIC CAP.	12pF	50V	CH	CHU5 120J6	K02179103		3		
C 2689	CERAMIC CAP.	12pF	50V	CH	CHU5 120J6	K02179103		4-		
CF2501	CERAMIC FILTER				CFWLA455KEFA-B0	H3900505		1-	A	A2
D 2501	DIODE				BAS316	G2070716		1-	A	F1
D 2502	DIODE				1SR154-400 TE25	G2070684		1-	A	E1
D 2503	DIODE				HSB88WSTR	G2070290		1-	A	C2
D 2504	DIODE				HVC372B TRF	G2070964		1-	A	D2
D 2505	DIODE				HVC372B TRF	G2070964		1-	A	E2
D 2506	DIODE				HVC372B TRF	G2070964		1-	A	E2
D 2507	DIODE				1SS356TW11	G2070468		1-	A	D2
D 2508	DIODE				1SS356TW11	G2070468		1-	A	E2
D 2509	DIODE				1SS356TW11	G2070468		1-	A	E2
D 2510	DIODE				1SS356TW11	G2070468		1-	A	E2
D 2511	DIODE				1SS356TW11	G2070468		1-	A	E2
D 2512	DIODE				1SS356TW11	G2070468		1-	A	E2
D 2513	DIODE				1SS356TW11	G2070468		1-	A	E2
D 2514	DIODE				1SS356TW11	G2070468		1-	A	E2
D 2515	DIODE				1SS356TW11	G2070468		1-	A	E3
D 2516	DIODE				1SS356TW11	G2070468		1-	A	E3
D 2517	DIODE				1SS356TW11	G2070468		1-	A	E3
D 2518	DIODE				1SS356TW11	G2070468		1-	A	E3
D 2519	DIODE				1SS356TW11	G2070468		1-	A	E3
D 2520	DIODE				1SS356TW11	G2070468		1-	A	E3
D 2521	DIODE				1SS356TW11	G2070468		1-	A	E3
D 2522	DIODE				1SS356TW11	G2070468		1-	A	E3
D 2523	DIODE				DAN202U T106	G2070162		1-	A	C2
D 2524	DIODE				02CZ8.2Y TE85R	G2070146		1-	A	D1
D 2525	DIODE				DAN202U T106	G2070162		1-	A	B3
D 2526	DIODE				HZM13NB1 TR	G2070876		1-	A	C3
D 2527	DIODE				HZM13NB1 TR	G2070876		1-	A	C3
D 2528	DIODE				DA204U T106	G2070242		1-	A	C3
D 2529	DIODE				BAS316	G2070716		1-	A	D3
D 2530	DIODE				1SV271 TPH3	G2070476		1-	A	C2
D 2531	DIODE				BAS316	G2070716		2-	A	G2
D 2532	DIODE				BAS316	G2070716		1-	A	F2
FB2601	CHIP COI				BLM18BD182SN1D	L1690602		4-	A	E1
FB2602	CHIP COI				BLM18BD182SN1D	L1690602		4-	A	E1
FB2603	CHIP COI				BLM18BD182SN1D	L1690602		4-	A	E1
FB2604	CHIP COI				BLM18BD182SN1D	L1690602		4-	A	E1

# TXUnit

## Parts List

REF	DESCRIPTION	VALUE	V/W	TOL.	MFR'S DESIG	VXSTD P/N	VERS.	LOT	SIDE	LAY ADR
FB2605	CHIP COI				BLM18BD182SN1D	L1690602		4-	A	C1
J 2501	CONNECTOR				JPJ2548-01-010	P1091232		1-	A	G1
J 2502	CONNECTOR				M50-08-30-434S R41-0599F	P1091132		1-	A	G1
J 2503	CONNECTOR				JPJ2548-01-010	P1091232		1-	A	F1
J 2504	CONNECTOR				TCS5073-19-4151	P1090913		1-	A	E1
J 2505	CONNECTOR				TCS5073-17-4151	P1090648		1-	A	D1
J 2506	CONNECTOR				JPJ2548-01-010	P1091232		1-	A	C1
J 2507	CONNECTOR				CSK-M50-06 R41-0599D	P1090925		1-	A	C1
J 2508	CONNECTOR				YKB21-5209	P1091236		1-	A	B1
J 2509	CONNECTOR				XM2C-0942-232L	P0091409		1-	A	A1
J 2510	CONNECTOR				SB20-02WS	P0090609		1-	A	A3
J 2511	CONNECTOR				TMP-J01X-V6	P1090210		1-	A	A3
J 2512	CONNECTOR				TMP-J01X-V6	P1090210		1-	A	A2
J 2513	CONNECTOR				TMP-J01X-V6	P1090210		1-	A	C2
J 2514	CONNECTOR				TMP-J01X-V6	P1090210		1-	A	G2
J 2515	CONNECTOR				TMP-J01X-V6	P1090210		1-	A	B2
J 2516	CONNECTOR				SB20-03WS	P0090610		1-	A	C3
J 2517	CONNECTOR				30FLT-SM1-TB	P1091142		1-	A	F3
J 2518	CONNECTOR				30FLT-SM1-TB	P1091142		1-	A	G3
J 2519	CONNECTOR				TMP-J01X-V6	P1090210		4-	A	B2
JP2500	WIRE ASSY				GRN 20 2/2	T50502000		1		
JP2501	WIRE ASSY				GRN 20 2/2	T50502000		1		
JP2502	WIRE ASSY				GRN 20 2/2	T50502000		1		
JP2503	WIRE ASSY				GRN 30 2/2	T50503000		1	A	C3
JP2504	WIRE ASSY				GRN 30 2/2	T50503000		1	A	C3
L 2501	M.RFC	100uH			FLC32T-101J	L1690227		1-	A	A1
L 2502	M.RFC	82uH			FLC32T-820J	L1690226		1-	A	A3
L 2504	CHIP COIL	0.22uH			C2520C-R22J	L1690548		1-	A	C2
L 2505	M.RFC	100uH			FLC32T-101J	L1690227		1-	A	E2
L 2506	CHIP COIL	0.15uH			C2520C-R15J	L1690546		1-	A	E2
L 2507	CHIP COIL	0.82uH			C2520C-R82J	L1690555		1-	A	E2
L 2508	CHIP COIL	0.15uH			C2520C-R15J	L1690546		1-	A	E2
L 2509	CHIP COIL	0.22uH			C2520C-R22J	L1690548		1-	A	E2
L 2510	CHIP COIL	1uH			C2520F-1R0K	L1690584		1-	A	E2
L 2511	CHIP COIL	0.22uH			C2520C-R22J	L1690548		1-	A	E2
L 2512	CHIP COIL	0.33uH			C2520C-R33J	L1690550		1-	A	E2
L 2513	CHIP COIL	1.5uH			C2520F-1R5K	L1690586		1-	A	E2
L 2514	CHIP COIL	0.33uH			C2520C-R33J	L1690550		1-	A	E2
L 2515	CHIP COIL	0.47uH			C2520C-R47J	L1690552		1-	A	E3
L 2516	CHIP COIL	2.2uH			C2520F-2R2K	L1690588		1-	A	E3
L 2517	CHIP COIL	0.47uH			C2520C-R47J	L1690552		1-	A	E3
L 2518	CHIP COIL	1uH			C2520F-1R0K	L1690584		1-	A	E3
L 2519	CHIP COIL	2.7uH			C2520F-2R7K	L1690589		1-	A	E3
L 2520	CHIP COIL	1uH			C2520F-1R0K	L1690584		1-	A	E3
L 2521	CHIP COIL	1.5uH			C2520F-1R5K	L1690586		1-	A	E3
L 2522	CHIP COIL	5.6uH			C2520F-5R6K	L1690593		1-	A	E3
L 2523	CHIP COIL	1.5uH			C2520F-1R5K	L1690586		1-	A	E3
L 2524	CHIP COIL	1.8uH			C2520F-1R8K	L1690587		1	A	E3
L 2524	CHIP COIL	2.2uH			C2520F-2R2K	L1690588		2-	A	E3
L 2525	CHIP COIL	10uH			C2520F-100K	L1690596		1-	A	E3
L 2526	CHIP COIL	1.8uH			C2520F-1R8K	L1690587		1	A	E3
L 2526	CHIP COIL	2.7uH			C2520F-2R7K	L1690589		2-	A	E3
L 2527	M.RFC	100uH			FLC32T-101J	L1690227		1-	A	F2
L 2529	M.RFC	100uH			FLC32T-101J	L1690227		1-	A	F2
L 2530	M.RFC	100uH			FLC32T-101J	L1690227		1-	A	C3
L 2531	CHIP COIL	0.068uH			C2520C-68NK	L1690542		1-	A	C2
L 2532	CHIP COIL	0.1uH			C2520C-R10J	L1690544		1-	A	B2
L 2533	CHIP COIL	0.18uH			C2520C-R18J	L1690547		1-	A	B2
L 2534	CHIP COIL	0.27uH			C2520C-R27J	L1690549		1-	A	B2
L 2535	CHIP COIL	100uH			LQH32MN101K23L	L1690099		1-	A	F3
L 2536	CHIP COIL	100uH			LQH32MN101K23L	L1690099		1-	A	F3
L 2537	CHIP COIL	100uH			LQH32MN101K23L	L1690099		1-	A	F3
L 2538	CHIP COIL	100uH			LQH32MN101K23L	L1690099		1-	A	G3
L 2539	M.RFC	0.47uH			LAL02NAR47M	L1190279		3		
L 2539	M.RFC	0.47uH			LAL02NAR47M	L1190279		4-		
Q 2501	TRANSISTOR				DTC143ZUA T106	G3070188		1-	A	F1
Q 2502	IC				TC4S81F TE85R	G1090895		1-	A	F1
Q 2503	TRANSISTOR				2SD2403GY-T1	G3424038Y		1-	A	E1
Q 2504	IC				ADM3202ARU	G1094022		1-	A	A1
Q 2505	IC				NJM2594V-TE1	G1093750		1-	A	A3
Q 2506	TRANSISTOR				2SC4154-T11-1E	G3341548E		1-	A	A2
Q 2507	IC				NJM2594V-TE1	G1093750		1-	A	A2
Q 2508	FET				3SK131-T2B V12	G4801317B		1-	A	C2

REF	DESCRIPTION	VALUE	V/W	TOL.	MFR'S DESIG	VXSTD P/N	VERS.	LOT	SIDE	LAY ADR
Q 2509	FET				SST310-T1	G4070009		1-	A	E2
Q 2510	FET				3SK131-T2B V12	G4801317B		1-	A	F2
Q 2511	TRANSISTOR				2SC2954-T2	G3329547		1-	A	F2
Q 2512	IC				NJM4558V-TE1	G1093250		1-	A	F2
Q 2513	IC				NJM4558V-TE1	G1093250		1-	A	F2
Q 2514	TRANSISTOR				2SC2954-T2	G3329547		1-	A	C2
Q 2515	TRANSISTOR				2SC4154-T11-1E	G3341548E		1-	A	B3
Q 2516	IC				NJM2068V-TE1	G1094112		1-	A	D2
Q 2517	IC				NJM4558V-TE1	G1093250		1-	A	B3
Q 2518	IC				NJM2068V-TE1	G1094112		1-	A	C3
Q 2519	IC				NJM4558V-TE1	G1093250		1-	A	D3
Q 2520	IC				BU2505FV-E2	G1093714		1-	A	D3
Q 2521	IC				BU2099FV-E2	G1093243		1-	A	D2
Q 2522	TRANSISTOR				DTC114EUA T106	G3070084		2-	A	G2
R 2501	CHIP RES.	680	1/16W	5%	RMC1/16 681JATP	J24185681		1-	A	G1
R 2502	CHIP RES.	56	1/16W	5%	RMC1/16 560JATP	J24185560		1-	A	G1
R 2503	CHIP RES.	47k	1/16W	5%	RMC1/16 473JATP	J24185473		1-	A	F1
R 2504	CHIP RES.	1k	1/16W	5%	RMC1/16 102JATP	J24185102		1-	A	F1
R 2505	CHIP RES.	4.7k	1/16W	5%	RMC1/16 472JATP	J24185472		1-	A	E1
R 2506	CHIP RES.	1k	1/16W	5%	RMC1/16 102JATP	J24185102		1-	A	E1
R 2507	CHIP RES.	1k	1/16W	5%	RMC1/16 102JATP	J24185102		1-	A	E1
R 2508	CHIP RES.	1k	1/16W	5%	RMC1/16 102JATP	J24185102		1-	A	E1
R 2509	CHIP RES.	1k	1/16W	5%	RMC1/16 102JATP	J24185102		1-	A	E1
R 2510	CHIP RES.	10	1/16W	5%	RMC1/16 100JATP	J24185100		1-	A	E1
R 2511	CHIP RES.	100	1/16W	5%	RMC1/16 101JATP	J24185101		1-	A	C1
R 2512	CHIP RES.	100	1/16W	5%	RMC1/16 101JATP	J24185101		1-	A	C1
R 2513	CHIP RES.	100	1/16W	5%	RMC1/16 101JATP	J24185101		1-	A	C1
R 2514	CHIP RES.	100	1/16W	5%	RMC1/16 101JATP	J24185101		1-	A	C1
R 2515	CHIP RES.	2.2k	1/16W	5%	RMC1/16 222JATP	J24185222		1-	A	A3
R 2516	CHIP RES.	470	1/16W	5%	RMC1/16 471JATP	J24185471		1-	A	A3
R 2517	CHIP RES.	0	1/16W	5%	RMC1/16 000JATP	J24185000		1-	A	A3
R 2518	CHIP RES.	330	1/16W	5%	RMC1/16 331JATP	J24185331		1-	A	A3
R 2519	CHIP RES.	100k	1/16W	5%	RMC1/16 104JATP	J24185104		1-	A	A2
R 2520	CHIP RES.	220	1/16W	5%	RMC1/16 221JATP	J24185221		1-	A	A2
R 2521	CHIP RES.	100	1/16W	5%	RMC1/16 101JATP	J24185101		1-	A	A2
R 2522	CHIP RES.	470	1/16W	5%	RMC1/16 471JATP	J24185471		1-	A	A2
R 2523	CHIP RES.	10k	1/16W	5%	RMC1/16 103JATP	J24185103		1-	A	B2
R 2524	CHIP RES.	56k	1/16W	5%	RMC1/16 563JATP	J24185563		1-	A	B2
R 2525	CHIP RES.	15k	1/16W	5%	RMC1/16 153JATP	J24185153		1-	A	B2
R 2526	CHIP RES.	47	1/16W	5%	RMC1/16 470JATP	J24185470		1-	A	B2
R 2527	CHIP RES.	100	1/16W	5%	RMC1/16 101JATP	J24185101		1-	A	C2
R 2528	CHIP RES.	150	1/16W	5%	RMC1/16 151JATP	J24185151		1-	A	C2
R 2529	CHIP RES.	100	1/16W	5%	RMC1/16 101JATP	J24185101		1-	A	C2
R 2531	CHIP RES.	150	1/16W	5%	RMC1/16 151JATP	J24185151		1-	A	C2
R 2532	CHIP RES.	10	1/16W	5%	RMC1/16 100JATP	J24185100		1-	A	C2
R 2533	CHIP RES.	2.7	1/16W	5%	RMC1/16 2R7JATP	J24185279		1-	A	D2
R 2534	CHIP RES.	470	1/16W	5%	RMC1/16 471JATP	J24185471		1-	A	D2
R 2535	CHIP RES.	2.7	1/16W	5%	RMC1/16 2R7JATP	J24185279		1-	A	D2
R 2536	CHIP RES.	1k	1/4W	5%	RMC1/4 102JATP	J24245102		1-	A	D2
R 2538	CHIP RES.	100k	1/16W	5%	RMC1/16 104JATP	J24185104		1-	A	D2
R 2539	CHIP RES.	100k	1/16W	5%	RMC1/16 104JATP	J24185104		1-	A	E2
R 2540	CHIP RES.	100k	1/16W	5%	RMC1/16 104JATP	J24185104		1-	A	E2
R 2541	CHIP RES.	68	1/4W	5%	RMC1/4 680JATP	J24245680		1-	A	E2
R 2542	CHIP RES.	10k	1/16W	5%	RMC1/16 103JATP	J24185103		1-	A	D2
R 2543	CHIP RES.	47	1/16W	5%	RMC1/16 470JATP	J24185470		1-	A	D2
R 2544	CHIP RES.	100	1/16W	5%	RMC1/16 101JATP	J24185101		1-	A	E2
R 2545	CHIP RES.	10k	1/16W	5%	RMC1/16 103JATP	J24185103		1-	A	D2
R 2546	CHIP RES.	47	1/16W	5%	RMC1/16 470JATP	J24185470		1-	A	E2
R 2547	CHIP RES.	100	1/16W	5%	RMC1/16 101JATP	J24185101		1-	A	E2
R 2548	CHIP RES.	10k	1/16W	5%	RMC1/16 103JATP	J24185103		1-	A	D2
R 2549	CHIP RES.	47	1/16W	5%	RMC1/16 470JATP	J24185470		1-	A	E2
R 2550	CHIP RES.	100	1/16W	5%	RMC1/16 101JATP	J24185101		1-	A	E2
R 2551	CHIP RES.	10k	1/16W	5%	RMC1/16 103JATP	J24185103		1-	A	D2
R 2552	CHIP RES.	47	1/16W	5%	RMC1/16 470JATP	J24185470		1-	A	E2
R 2553	CHIP RES.	100	1/16W	5%	RMC1/16 101JATP	J24185101		1-	A	E3
R 2554	CHIP RES.	10k	1/16W	5%	RMC1/16 103JATP	J24185103		1-	A	D2
R 2555	CHIP RES.	47	1/16W	5%	RMC1/16 470JATP	J24185470		1-	A	E3
R 2556	CHIP RES.	100	1/16W	5%	RMC1/16 101JATP	J24185101		1-	A	E3
R 2557	CHIP RES.	10k	1/16W	5%	RMC1/16 103JATP	J24185103		1-	A	D3
R 2558	CHIP RES.	47	1/16W	5%	RMC1/16 470JATP	J24185470		1-	A	E3
R 2559	CHIP RES.	100	1/16W	5%	RMC1/16 101JATP	J24185101		1-	A	E3
R 2560	CHIP RES.	10k	1/16W	5%	RMC1/16 103JATP	J24185103		1-	A	D3
R 2561	CHIP RES.	47	1/16W	5%	RMC1/16 470JATP	J24185470		1-	A	E3

# TXUnit

## Parts List

REF	DESCRIPTION	VALUE	V/W	TOL.	MFR'S DESIG	VXSTD P/N	VERS.	LOT	SIDE	LAY ADR
R 2562	CHIP RES.	100	1/16W	5%	RMC1/16 101JATP	J24185101		1-	A	E3
R 2563	CHIP RES.	10k	1/16W	5%	RMC1/16 103JATP	J24185103		1-	A	D3
R 2564	CHIP RES.	47	1/16W	5%	RMC1/16 470JATP	J24185470		1-	A	E3
R 2565	CHIP RES.	100	1/16W	5%	RMC1/16 101JATP	J24185101		1-	A	E3
R 2566	CHIP RES.	1k	1/4W	5%	RMC1/4 102JATP	J24245102		1-	A	F2
R 2567	CHIP RES.	10k	1/16W	5%	RMC1/16 103JATP	J24185103		1-	A	F2
R 2568	CHIP RES.	56k	1/16W	5%	RMC1/16 563JATP	J24185563		1-	A	F2
R 2569	CHIP RES.	220	1/16W	5%	RMC1/16 221JATP	J24185221		1-	A	F2
R 2570	CHIP RES.	150	1/16W	5%	RMC1/16 151JATP	J24185151		1-	A	F2
R 2571	CHIP RES.	1k	1/16W	5%	RMC1/16 102JATP	J24185102		1-	A	F2
R 2572	CHIP RES.	100	1/16W	5%	RMC1/16 101JATP	J24185101		1-	A	F2
R 2574	CHIP RES.	680	1/16W	5%	RMC1/16 681JATP	J24185681		1-	A	F2
R 2575	CHIP RES.	0	1/16W	5%	RMC1/16 000JATP	J24185000		2	A	F2
R 2575	CHIP RES.	220	1/16W	5%	RMC1/16 221JATP	J24185221		3-	A	F2
R 2576	CHIP RES.	820	1/16W	5%	RMC1/16 821JATP	J24185821		1-	A	F2
R 2577	CHIP RES.	8.2	1/16W	5%	RMC1/16 8R2JATP	J24185829		1-	A	F2
R 2578	CHIP RES.	100	1/2W	5%	RMC1/2 101JCTP	J24275101		1-	A	F2
R 2579	CHIP RES.	0	1/16W	5%	RMC1/16 000JATP	J24185000		1-	A	F3
R 2580	CHIP RES.	22k	1/16W	5%	RMC1/16 223JATP	J24185223		1-	A	F3
R 2581	CHIP RES.	2.2k	1/16W	5%	RMC1/16 222JATP	J24185222		1-	A	F2
R 2582	CHIP RES.	1k	1/16W	5%	RMC1/16 102JATP	J24185102		1-3	A	F2
R 2582	CHIP RES.	1k	1/16W	5%	RMC1/16 102JATP	J24185102	200W	4-	A	F2
R 2582	CHIP RES.	2.2k	1/10W	5%	RMC1/10T 222J	J24205222	400W	4-	A	F2
R 2583	CHIP RES.	22k	1/16W	5%	RMC1/16 223JATP	J24185223		1-	A	F2
R 2584	CHIP RES.	0	1/16W	5%	RMC1/16 000JATP	J24185000		1-	A	F2
R 2586	CHIP RES.	10k	1/16W	5%	RMC1/16 103JATP	J24185103		1-	A	F2
R 2587	CHIP RES.	10k	1/16W	5%	RMC1/16 103JATP	J24185103		1-	A	F3
R 2588	CHIP RES.	0	1/16W	5%	RMC1/16 000JATP	J24185000		1-	A	F3
R 2590	CHIP RES.	10k	1/16W	5%	RMC1/16 103JATP	J24185103		1-	A	F2
R 2591	CHIP RES.	10	1/16W	5%	RMC1/16 100JATP	J24185100		1-	A	C2
R 2592	CHIP RES.	150	1/16W	5%	RMC1/16 151JATP	J24185151		1-	A	C2
R 2593	CHIP RES.	10	1/16W	5%	RMC1/16 100JATP	J24185100		1-	A	C2
R 2594	CHIP RES.	10	1/16W	5%	RMC1/16 100JATP	J24185100		1-	A	C3
R 2595	CHIP RES.	22	1/10W	5%	RMC1/10T 220J	J24205220		1-	A	C2
R 2596	CHIP RES.	150	1/4W	5%	RMC1/4 151JATP	J24245151		1-	A	C2
R 2597	CHIP RES.	820	1/16W	5%	RMC1/16 821JATP	J24185821		1-	A	C3
R 2598	CHIP RES.	820	1/16W	5%	RMC1/16 821JATP	J24185821		1-	A	C2
R 2600	CHIP RES.	3.3k	1/16W	5%	RMC1/16 332JATP	J24185332		1-	A	B3
R 2601	CHIP RES.	1.2k	1/16W	5%	RMC1/16 122JATP	J24185122		1-	A	B3
R 2602	CHIP RES.	1M	1/16W	5%	RMC1/16 105JATP	J24185105		1-	A	B3
R 2603	CHIP RES.	10k	1/16W	5%	RMC1/16 103JATP	J24185103		1-	A	B3
R 2604	CHIP RES.	2.2k	1/16W	5%	RMC1/16 222JATP	J24185222		1-	A	B3
R 2605	CHIP RES.	47k	1/16W	5%	RMC1/16 473JATP	J24185473		1-	A	B3
R 2606	CHIP RES.	10k	1/16W	5%	RMC1/16 103JATP	J24185103		1-	A	B3
R 2607	CHIP RES.	150k	1/16W	5%	RMC1/16 154JATP	J24185154		1-	A	D2
R 2608	CHIP RES.	100k	1/16W	5%	RMC1/16 104JATP	J24185104		1-	A	D2
R 2609	CHIP RES.	100k	1/16W	5%	RMC1/16 104JATP	J24185104		1-	A	D2
R 2610	CHIP RES.	22k	1/16W	5%	RMC1/16 223JATP	J24185223		1-	A	C3
R 2611	CHIP RES.	10k	1/16W	5%	RMC1/16 103JATP	J24185103		1-	A	D3
R 2611	CHIP RES.	5.6k	1/16W	5%	RMC1/16 562JATP	J24185562		3-	A	D3
R 2612	CHIP RES.	33k	1/16W	5%	RMC1/16 333JATP	J24185333		1-	A	D1
R 2613	CHIP RES.	4.7k	1/16W	5%	RMC1/16 472JATP	J24185472		1-	A	D1
R 2614	CHIP RES.	470k	1/16W	5%	RMC1/16 474JATP	J24185474		1-	A	D3
R 2615	CHIP RES.	47k	1/16W	5%	RMC1/16 473JATP	J24185473		1-	A	D3
R 2616	CHIP RES.	10k	1/16W	5%	RMC1/16 103JATP	J24185103		1-	A	D3
R 2617	CHIP RES.	180k	1/16W	5%	RMC1/16 184JATP	J24185184		1-	A	B3
R 2618	CHIP RES.	47k	1/16W	5%	RMC1/16 473JATP	J24185473		1-	A	B3
R 2619	CHIP RES.	47k	1/16W	5%	RMC1/16 473JATP	J24185473		1-	A	B3
R 2620	CHIP RES.	180k	1/16W	5%	RMC1/16 184JATP	J24185184		1-	A	B3
R 2621	CHIP RES.	150k	1/16W	5%	RMC1/16 154JATP	J24185154		1-	A	C3
R 2622	CHIP RES.	150k	1/16W	5%	RMC1/16 154JATP	J24185154		1-	A	C3
R 2623	CHIP RES.	100k	1/16W	5%	RMC1/16 104JATP	J24185104		1-	A	C3
R 2624	CHIP RES.	47k	1/16W	5%	RMC1/16 473JATP	J24185473		1-	A	C3
R 2625	CHIP RES.	22k	1/16W	5%	RMC1/16 223JATP	J24185223		1-	A	C3
R 2626	CHIP RES.	4.7k	1/16W	5%	RMC1/16 472JATP	J24185472		1-	A	C3
R 2627	CHIP RES.	56k	1/16W	5%	RMC1/16 563JATP	J24185563		1-	A	D3
R 2628	CHIP RES.	47k	1/16W	5%	RMC1/16 473JATP	J24185473		1-	A	D3
R 2629	CHIP RES.	150k	1/16W	5%	RMC1/16 154JATP	J24185154		1-	A	C3
R 2630	CHIP RES.	150k	1/16W	5%	RMC1/16 154JATP	J24185154		1-	A	C3
R 2631	CHIP RES.	100k	1/16W	5%	RMC1/16 104JATP	J24185104		1-	A	C3
R 2632	CHIP RES.	47k	1/16W	5%	RMC1/16 473JATP	J24185473		1-	A	C3
R 2633	CHIP RES.	22k	1/16W	5%	RMC1/16 223JATP	J24185223		1-	A	C3
R 2634	CHIP RES.	4.7k	1/16W	5%	RMC1/16 472JATP	J24185472		1-	A	C3



# TX Unit

## Parts List

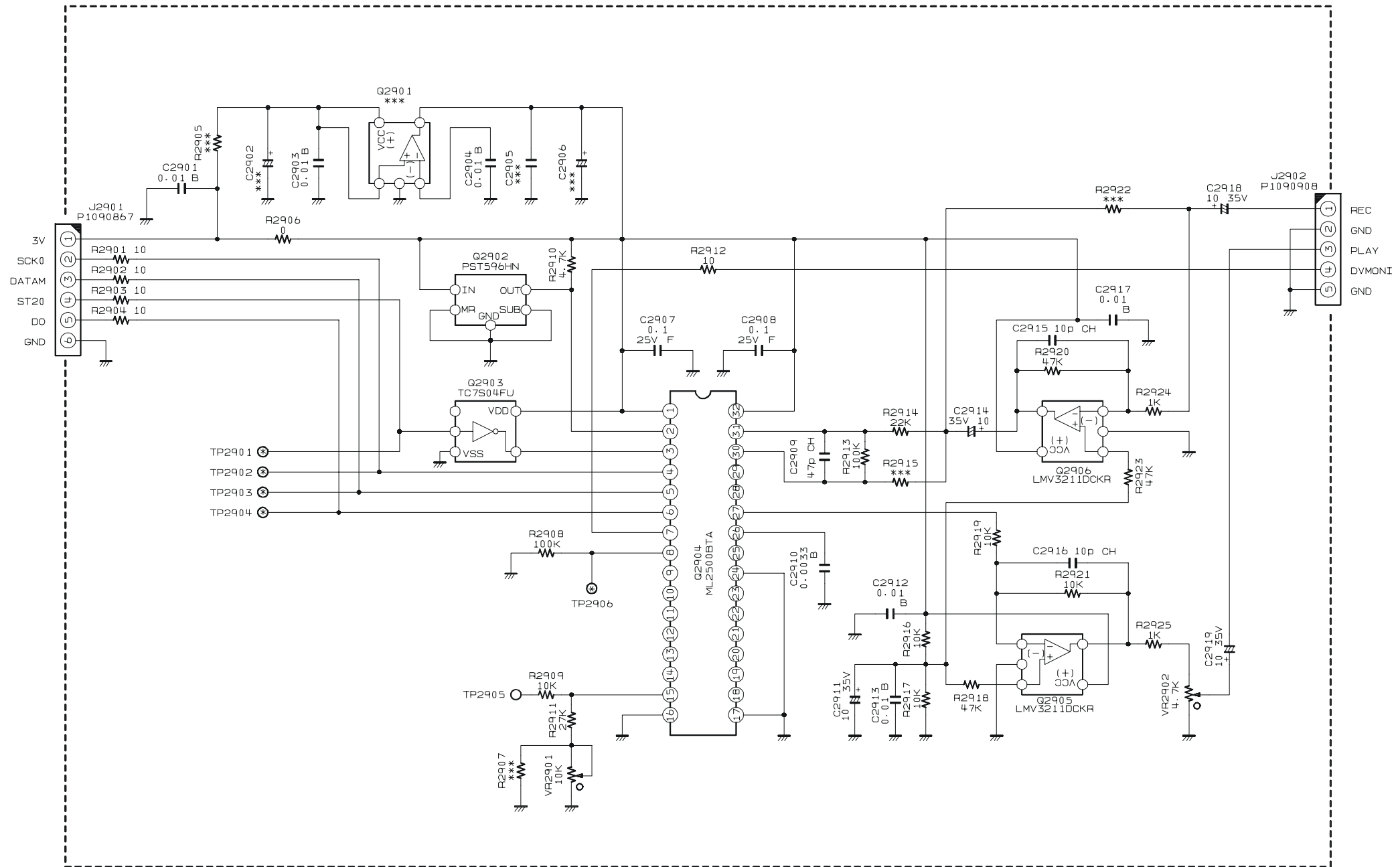
REF	DESCRIPTION	VALUE	V/W	TOL.	MFR'S DESIG	VXSTD P/N	VERS.	LOT	SIDE	LAY ADR
R 2635	CHIP RES.	56k	1/16W	5%	RMC1/16 563JATP	J24185563		1-	A	C3
R 2636	CHIP RES.	47k	1/16W	5%	RMC1/16 473JATP	J24185473		1-	A	C3
R 2645	CHIP RES.	0	1/16W	5%	RMC1/16 000JATP	J24185000		1-	A	D3
R 2646	CHIP RES.	100k	1/16W	5%	RMC1/16 104JATP	J24185104		1-	A	D3
R 2647	CHIP RES.	0	1/16W	5%	RMC1/16 000JATP	J24185000		1-	A	D3
R 2648	CHIP RES.	0	1/16W	5%	RMC1/16 000JATP	J24185000		1-	A	D3
R 2649	CHIP RES.	0	1/16W	5%	RMC1/16 000JATP	J24185000		1-	A	D3
R 2650	CHIP RES.	100k	1/16W	5%	RMC1/16 104JATP	J24185104		1-	A	D3
R 2651	CHIP RES.	100k	1/16W	5%	RMC1/16 104JATP	J24185104		1-	A	D3
R 2652	CHIP RES.	100k	1/16W	5%	RMC1/16 104JATP	J24185104		1-	A	D3
R 2653	CHIP RES.	0	1/16W	5%	RMC1/16 000JATP	J24185000		1-	A	D3
R 2654	CHIP RES.	0	1/16W	5%	RMC1/16 000JATP	J24185000		1-	A	D3
R 2655	CHIP RES.	0	1/16W	5%	RMC1/16 000JATP	J24185000		1-	A	D3
R 2656	CHIP RES.	1k	1/16W	5%	RMC1/16 102JATP	J24185102		1-	A	B1
R 2657	CHIP RES.	1k	1/16W	5%	RMC1/16 102JATP	J24185102		1-	A	B1
R 2658	CHIP RES.	1k	1/16W	5%	RMC1/16 102JATP	J24185102		1-	A	B1
R 2659	CHIP RES.	2.2k	1/16W	5%	RMC1/16 222JATP	J24185222		1-	A	D2
R 2660	CHIP RES.	2.2k	1/16W	5%	RMC1/16 222JATP	J24185222		1-	A	D2
R 2661	CHIP RES.	2.2k	1/16W	5%	RMC1/16 222JATP	J24185222		1-	A	D2
R 2662	CHIP RES.	2.2k	1/16W	5%	RMC1/16 222JATP	J24185222		1-	A	D2
R 2663	CHIP RES.	2.2k	1/16W	5%	RMC1/16 222JATP	J24185222		1-	A	C2
R 2664	CHIP RES.	0	1/16W	5%	RMC1/16 000JATP	J24185000		1-	A	C1
R 2665	CHIP RES.	3.3k	1/16W	5%	RMC1/16 332JATP	J24185332		1-	A	E2
R 2666	CHIP RES.	100	1/16W	5%	RMC1/16 101JATP	J24185101		1-	A	D2
R 2667	CHIP RES.	0	1/16W	5%	RMC1/16 000JATP	J24185000		1-	A	D2
R 2668	CHIP RES.	22	1/16W	5%	RMC1/16 220JATP	J24185220		1-	A	A2
R 2669	CHIP RES.	22k	1/16W	5%	RMC1/16 223JATP	J24185223		1-	A	F2
R 2670	CHIP RES.	0	1/16W	5%	RMC1/16 000JATP	J24185000		1-	A	A2
R 2671	CHIP RES.	0	1/16W	5%	RMC1/16 000JATP	J24185000		1-	A	A2
R 2672	CHIP RES.	100	1/16W	5%	RMC1/16 101JATP	J24185101		1-	A	E1
R 2673	CHIP RES.	100	1/16W	5%	RMC1/16 101JATP	J24185101		1-	A	E1
R 2674	CHIP RES.	100	1/16W	5%	RMC1/16 101JATP	J24185101		1-	A	D1
R 2675	CHIP RES.	100	1/16W	5%	RMC1/16 101JATP	J24185101		1-	A	D1
R 2676	CHIP RES.	100	1/16W	5%	RMC1/16 101JATP	J24185101		1-	A	D1
R 2677	CHIP RES.	47	1/16W	5%	RMC1/16 470JATP	J24185470		1-	A	F1
R 2678	CHIP RES.	47	1/16W	5%	RMC1/16 470JATP	J24185470		1-	A	G1
R 2679	CHIP RES.	10	1/16W	5%	RMC1/16 100JATP	J24185100		1-	A	F1
R 2680	CHIP RES.	47	1/16W	5%	RMC1/16 470JATP	J24185470		1-	A	G1
R 2681	CHIP RES.	47	1/16W	5%	RMC1/16 470JATP	J24185470		1-	A	G1
R 2682	CHIP RES.	47	1/16W	5%	RMC1/16 470JATP	J24185470		1-	A	G1
R 2683	CHIP RES.	47	1/16W	5%	RMC1/16 470JATP	J24185470		1-	A	G1
R 2684	CHIP RES.	47	1/16W	5%	RMC1/16 470JATP	J24185470		1-	A	G1
R 2685	CHIP RES.	100	1/16W	5%	RMC1/16 101JATP	J24185101		1-	A	F2
R 2686	CHIP RES.	150	1/16W	5%	RMC1/16 151JATP	J24185151		1-	A	B2
R 2688	CHIP RES.	0	1/16W	5%	RMC1/16 000JATP	J24185000		1-	A	A2
R 2689	CHIP RES.	56	1/16W	5%	RMC1/16 560JATP	J24185560		1-	A	A2
R 2690	CHIP RES.	390	1/16W	5%	RMC1/16 391JATP	J24185391		1-	A	A3
R 2691	CHIP RES.	2.2k	1/16W	5%	RMC1/16 222JATP	J24185222		1-	A	A3
R 2692	CHIP RES.	220	1/16W	5%	RMC1/16 221JATP	J24185221		1-	A	B2
R 2693	CHIP RES.	39	1/16W	5%	RMC1/16 390JATP	J24185390		1-	A	B2
R 2694	CHIP RES.	150	1/16W	5%	RMC1/16 151JATP	J24185151		1-	A	B2
R 2695	CHIP RES.	0	1/16W	5%	RMC1/16 000JATP	J24185000		1-	A	F2
R 2696	CHIP RES.	0	1/16W	5%	RMC1/16 000JATP	J24185000		2-	A	E1
R 2697	CHIP RES.	100	1/16W	5%	RMC1/16 101JATP	J24185101		2-	A	G2
R 2699	CHIP RES.	10k	1/16W	5%	RMC1/16 103JATP	J24185103		2-	A	G1
R 2700	CHIP RES.	560	1/16W	5%	RMC1/16 561JATP	J24185561		4-	A	B2
RL2501	RELAY		DC12V		AGQ200A12Z DC12V	M1190188		1-	A	F1
RL2502	RELAY		DC12V		AGQ200A12Z DC12V	M1190188		2-	A	G2
T 2501	COIL 07RF	455kHz			455K R12-N968A	L0022268		1-	A	A2
T 2502	COIL 07RF	455kHz			455K	L0190002		1-	A	A2
T 2503	COIL 07RF				R12-J760A	L0021962		1-	A	B2
T 2504	COIL 07RF	73.62MHz			73.62M R12-J759A	L0021961		1-	A	B2
T 2505	COIL 07RF	73.62MHz			73.62M S-135-214	L0021960		1-	A	C2
T 2506	COIL 07WIDE				4-1 2D3 TR6X3	L0020788A		1-	A	C2
T 2507	COIL 07WIDE				4-1 2D3 TR6X3	L0020788A		1-	A	D2
T 2509	COIL 07RF	73.62MHz			73.62M S-135-214	L0021960		1-	A	D2
T 2510	COIL 07RF	73.62MHz			73.62M S-135-214	L0021960		1-	A	E2
T 2511	COIL 07RF	73.62MHz			73.62M S-135-214	L0021960		1-	A	E2
T 2512	COIL 07RF				R12-J758A	L0021958		1-	A	E2
T 2513	COIL 07WIDE				9-1 2D3 TR6X3	L0020789A		1-	A	F2
T 2514	COIL 07WIDE				4-1 2D3 TR6X3	L0020788A		1-	A	F2
T 2515	COIL 07WIDE				4-1 2001F FR6	L0021351		1-	A	F2
T 2516	COIL 07WIDE				4-1 2D3 TR6X3	L0020788A		1-	A	C2

# TXUnit

## Parts List

REF	DESCRIPTION	VALUE	V/W	TOL.	MFR'S DESIG	VXSTD P/N	VERS.	LOT	SIDE	LAY ADR
TH2501	THERMISTOR				157-252-53006TP	G9090053	400W	4-		
TP2505	CHECK TERMINAL				RCT00000C	Q5000103		1-	A	B3
TP2506	CHECK TERMINAL				RCT00000C	Q5000103		1-	A	F2
TP2507	CHECK TERMINAL				RCT00000C	Q5000103		1-	A	C2
TP2522	CHECK TERMINAL				RCT00000C	Q5000103		1-	A	F3
TP2523	CHECK TERMINAL				RCT00000C	Q5000103		1-	A	F2
TP2527	CHECK TERMINAL				RCT00000C	Q5000103		4-	A	D3
TP2528	CHECK TERMINAL				RCT00000C	Q5000103		4-	A	C3
TP2529	CHECK TERMINAL				RCT00000C	Q5000103		4-	A	F3
TP2534	CHECK TERMINAL				RCT00000C	Q5000103		4-	A	A3
VR2501	POT.	4.7k			RH03A3AS3X 4.7K	J51807472		1-	A	D1
VR2502	POT.	10k			RH03A3A14X 10K	J51807103		1-	A	F3
VR2503	POT.	10k			RH03A3A14X 10K	J51807103		1-	A	F2
VR2504	POT.	10k			RH03A3A14X 10K	J51807103		1-	A	B3
VR2505	POT.	10k			RH03A3A14X 10K	J51807103		1-	A	D3
VR2506	POT.	10k			RH03A3A14X 10K	J51807103		1-	A	C3
XF2501	XTAL FILTER				MFT40R2 40.455MHz 15kHz	H1102386		1-	A	B2
	SHIELD CASE					RA0659300		1-		
	SHIELD CASE					RA0659400		1-		

# DVS Unit Circuit Diagram

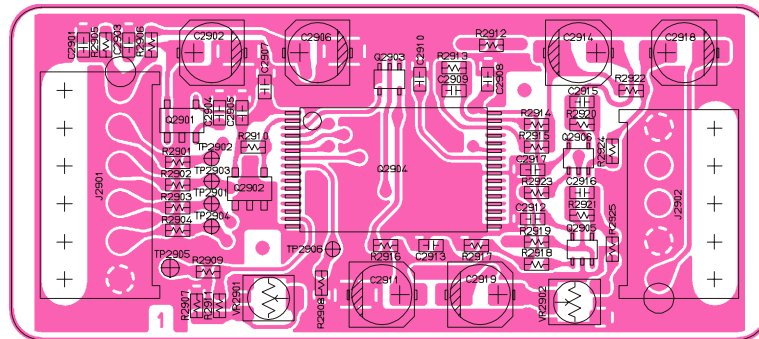


***DVS Unit***

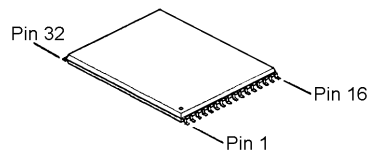
*Note*

# DVS Unit

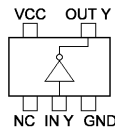
## Parts Layout



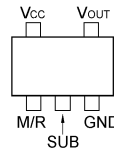
Side A



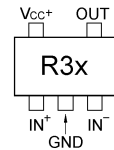
ML2500BTA  
(Q2904)



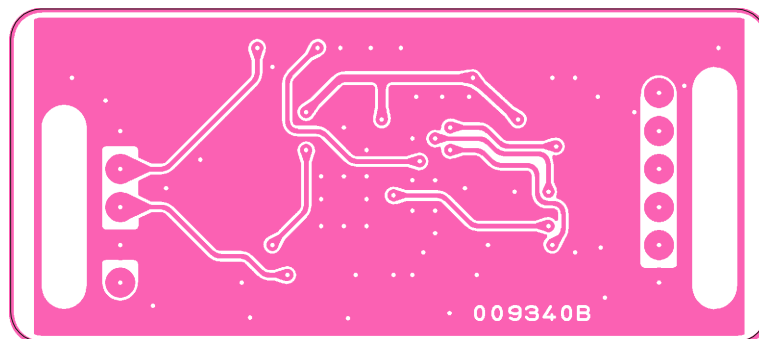
TC7S04FU (E5)  
(Q2903)



PST596HNR  
(Q2902)



LMV321IDCKR  
(Q2905, 2906)



Side B

# DVS Unit

## Parts List

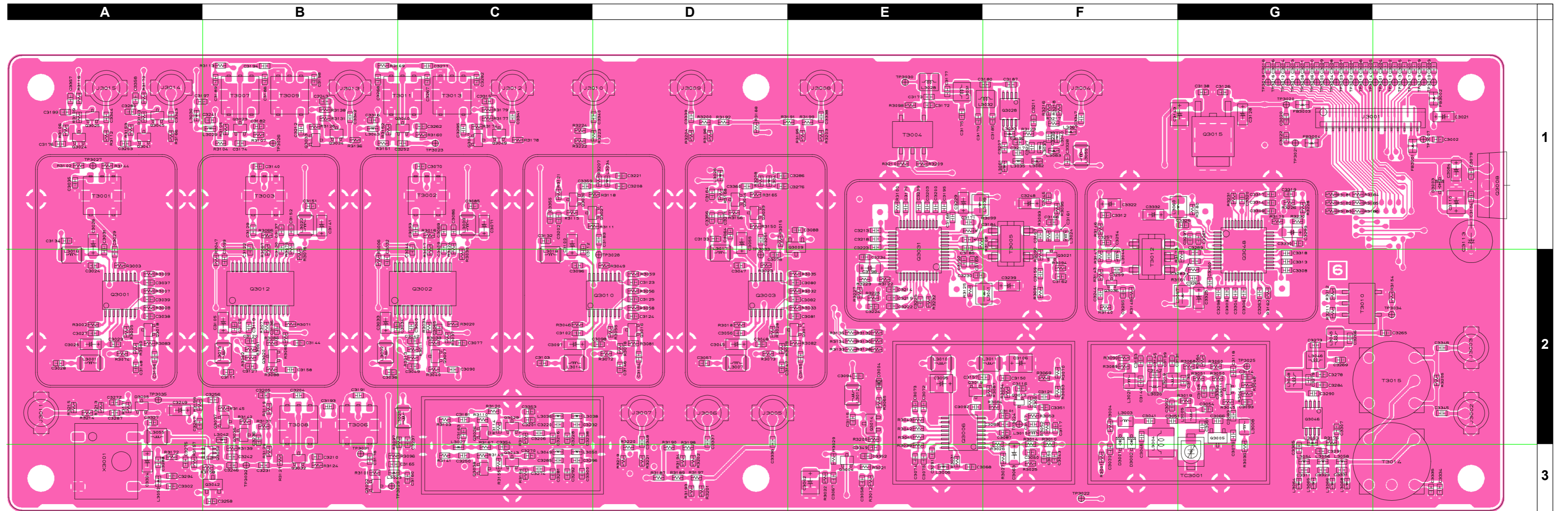
REF	DESCRIPTION	VALUE	V/W	TOL.	MFR'S DESIG	VXSTD P/N	VERS.	LOT	SIDE	LAY ADR
PCB with Components						CB2340001				
Printed Circuit Board						FR0093400		1-		
C 2901	CHIP CAP.	0.01uF	50V	B	GRM188B11H103KA01D	K22174823		1-	A	A1
C 2903	CHIP CAP.	0.01uF	50V	B	GRM188B11H103KA01D	K22174823		1-	A	A1
C 2904	CHIP CAP.	0.01uF	50V	B	GRM188B11H103KA01D	K22174823		1-	A	A1
C 2907	CHIP CAP.	0.1uF	25V	F	GRM39F104Z25PT	K22145001		1-	A	A1
C 2908	CHIP CAP.	0.1uF	25V	F	GRM39F104Z25PT	K22145001		1-	A	B1
C 2909	CHIP CAP.	47pF	50V	CH	GRM1882C1H470JA01D	K22174227		1-	A	A1
C 2910	CHIP CAP.	0.0033uF	50V	B	GRM188B11H332KA01D	K22174831		1-	A	A1
C 2911	AL.ELECTRO.CAP.	10uF	35V		ECEV1VA100WR	K48160004		1-	A	A1
C 2912	CHIP CAP.	0.01uF	50V	B	GRM188B11H103KA01D	K22174823		1-	A	B1
C 2913	CHIP CAP.	0.01uF	50V	B	GRM188B11H103KA01D	K22174823		1-	A	A1
C 2914	AL.ELECTRO.CAP.	10uF	35V		ECEV1VA100WR	K48160004		1-	A	B1
C 2915	CHIP CAP.	10pF	50V	CH	GRM1882C1H100JA01D	K22174211		1-	A	B1
C 2916	CHIP CAP.	10pF	50V	CH	GRM1882C1H100JA01D	K22174211		1-	A	B1
C 2917	CHIP CAP.	0.01uF	50V	B	GRM188B11H103KA01D	K22174823		1-	A	B1
C 2918	AL.ELECTRO.CAP.	10uF	35V		ECEV1VA100WR	K48160004		1-	A	B1
C 2919	AL.ELECTRO.CAP.	10uF	35V		ECEV1VA100WR	K48160004		1-	A	B1
J 2901	CONNECTOR				IMSA-9133S-06D	P1090867		1-	A	A1
J 2902	CONNECTOR				IMSA-9133S-05D	P1090908		1-	A	B1
Q 2902	IC				PST596HNR	G1092574		1-	A	A1
Q 2903	IC				TC7S04FU TE85R	G1091530		1-	A	A1
Q 2904	IC				ML2500BTA	G1093715		1-	A	A1
Q 2905	IC				LMV321IDCKR	G1093969		1-	A	B1
Q 2906	IC				LMV321IDCKR	G1093969		1-	A	B1
R 2901	CHIP RES.	10	1/16W	5%	RMC1/16 100JATP	J24185100		1-	A	A1
R 2902	CHIP RES.	10	1/16W	5%	RMC1/16 100JATP	J24185100		1-	A	A1
R 2903	CHIP RES.	10	1/16W	5%	RMC1/16 100JATP	J24185100		1-	A	A1
R 2904	CHIP RES.	10	1/16W	5%	RMC1/16 100JATP	J24185100		1-	A	A1
R 2906	CHIP RES.	0	1/16W	5%	RMC1/16 000JATP	J24185000		1-	A	A1
R 2908	CHIP RES.	100k	1/16W	5%	RMC1/16 104JATP	J24185104		1-	A	A1
R 2909	CHIP RES.	10k	1/16W	5%	RMC1/16 103JATP	J24185103		1-	A	A1
R 2910	CHIP RES.	4.7k	1/16W	5%	RMC1/16 472JATP	J24185472		1-	A	A1
R 2911	CHIP RES.	27k	1/16W	5%	RMC1/16 273JATP	J24185273		1-	A	A1
R 2912	CHIP RES.	10	1/16W	5%	RMC1/16 100JATP	J24185100		1-	A	B1
R 2913	CHIP RES.	100k	1/16W	5%	RMC1/16 104JATP	J24185104		1-	A	A1
R 2914	CHIP RES.	22k	1/16W	5%	RMC1/16 223JATP	J24185223		1-	A	B1
R 2916	CHIP RES.	10k	1/16W	5%	RMC1/16 103JATP	J24185103		1-	A	A1
R 2917	CHIP RES.	10k	1/16W	5%	RMC1/16 103JATP	J24185103		1-	A	B1
R 2918	CHIP RES.	47k	1/16W	5%	RMC1/16 473JATP	J24185473		1-	A	B1
R 2919	CHIP RES.	10k	1/16W	5%	RMC1/16 103JATP	J24185103		1-	A	B1
R 2920	CHIP RES.	47k	1/16W	5%	RMC1/16 473JATP	J24185473		1-	A	B1
R 2921	CHIP RES.	10k	1/16W	5%	RMC1/16 103JATP	J24185103		1-	A	B1
R 2923	CHIP RES.	47k	1/16W	5%	RMC1/16 473JATP	J24185473		1-	A	B1
R 2924	CHIP RES.	1k	1/16W	5%	RMC1/16 102JATP	J24185102		1-	A	B1
R 2925	CHIP RES.	1k	1/16W	5%	RMC1/16 102JATP	J24185102		1-	A	B1
R 2926	CHIP RES.	2.2k	1/16W	5%	RMC1/16 222JATP	J24185222		1-		
VR2901	POT.	10k			RH03A3A14X 10K	J51807103		1-	A	A1



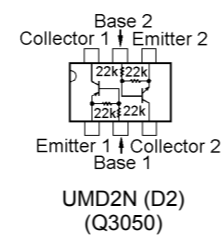
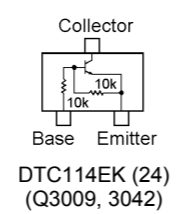
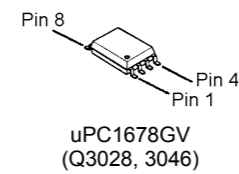
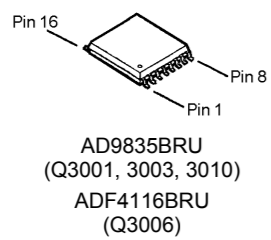
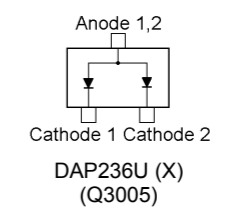
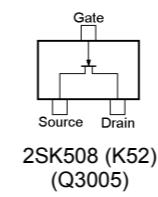
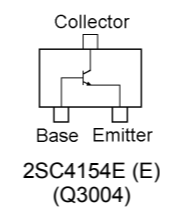
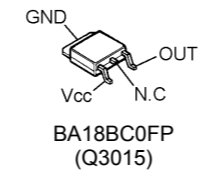
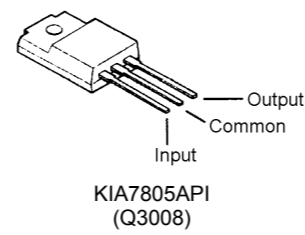
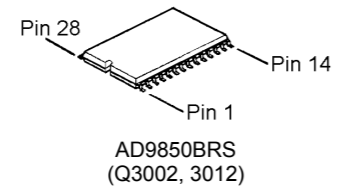
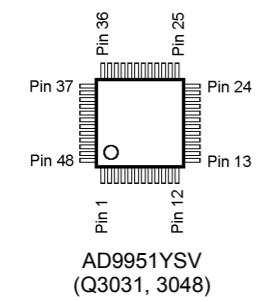
*LOCAL Unit*

*Note*



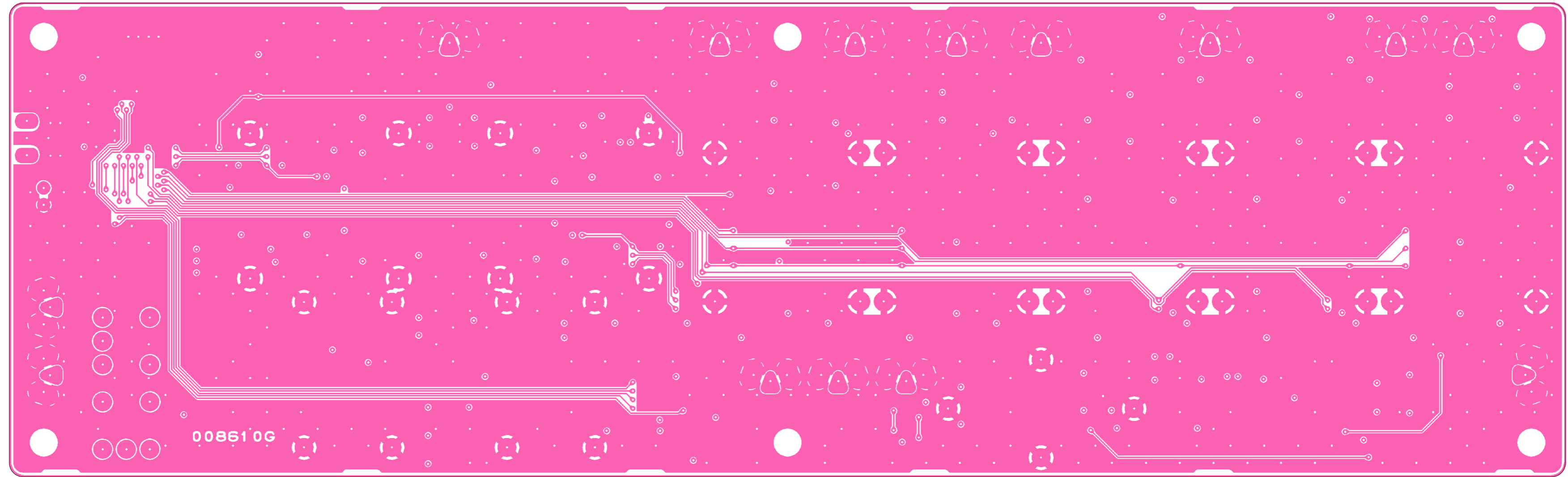


Side A



2SC4400 (RT)  
(Q3007, 3016, 3017,  
3018, 3019, 3020,  
3022, 3023, 3024,  
3025, 3026, 3027,  
3029, 3030, 3032,  
3033, 3034, 3035,  
3037, 3038, 3039,  
3040, 3041, 3043,  
3044, 3045, 3047,  
3049)

2SC5374 (NA)  
(Q3011, 3013, 3021,  
3036)



Side B

# LOCAL Unit

## Parts List

REF	DESCRIPTION	VALUE	V/W	TOL.	MFR'S DESIG	VXSTD P/N	VERS.	LOT	SIDE	LAY ADR	
PCB with Components						CB2140001					
Printed Circuit Board						FR0086100			1-		
C 3021	CHIP TA.CAP.	1uF	35V		TEMSVA1V105M-8R	K78160032		1-	A	H1	
C 3023	CHIP CAP.	0.001uF	50V	B	GRM188B11H102KA01D	K22174809		1-	A	A2	
C 3024	CHIP CAP.	0.01uF	50V	B	GRM188B11H103KA01D	K22174823		1-	A	A2	
C 3025	CHIP TA.CAP.	1uF	16V		TEMSVA21C105M-8R	K78120024		1-	A	A2	
C 3026	CHIP TA.CAP.	1uF	16V		TEMSVA21C105M-8R	K78120024		1-	A	A1	
C 3027	CHIP CAP.	0.01uF	50V	B	GRM188B11H103KA01D	K22174823		1-	A	A2	
C 3029	CHIP CAP.	0.01uF	50V	B	GRM188B11H103KA01D	K22174823		1-	A	A2	
C 3031	CHIP CAP.	0.01uF	50V	B	GRM188B11H103KA01D	K22174823		1-	A	A1	
C 3033	CHIP TA.CAP.	10uF	10V		TEMSVA1A106M-8R	K78100028		1-	A	B2	
C 3034	CHIP CAP.	0.01uF	50V	B	GRM188B11H103KA01D	K22174823		1-	A	B2	
C 3035	CHIP CAP.	300pF	50V	CH	GRM1882C1H301JA01D	K22174252		1-	A	A1	
C 3040	CHIP CAP.	0.01uF	50V	B	GRM188B11H103KA01D	K22174823		1-	A	C2	
C 3041	CHIP CAP.	9pF	50V	CH	GRM1882C1H9R0DZ01D	K22174210		1-	A	F2	
C 3044	CHIP CAP.	0.01uF	50V	B	GRM188B11H103KA01D	K22174823		1-	A	C1	
C 3045	CHIP TA.CAP.	1uF	16V		TEMSVA21C105M-8R	K78120024		1-	A	D2	
C 3047	CHIP CAP.	0.01uF	50V	B	GRM188B11H103KA01D	K22174823		1-	A	D2	
C 3048	CHIP CAP.	0.001uF	50V	B	GRM188B11H102KA01D	K22174809		1-	A	D2	
C 3050	CHIP CAP.	0.022uF	25V	B	GRM39B223K25PT	K22144807		1-	A	F3	
C 3051	CHIP CAP.	10pF	50V	CH	GRM1882C1H100JA01D	K22174211		1-	A	F2	
C 3052	CHIP CAP.	0.001uF	50V	B	GRM188B11H102KA01D	K22174821		1-	A	F2	
C 3053	CHIP CAP.	0.001uF	50V	B	GRM188B11H102KA01D	K22174809		1-	A	C1	
C 3055	CHIP TA.CAP.	1uF	16V		TEMSVA21C105M-8R	K78120024		1-	A	D1	
C 3056	CHIP CAP.	0.01uF	50V	B	GRM188B11H103KA01D	K22174823		1-	A	D2	
C 3058	CHIP CAP.	0.001uF	50V	B	GRM188B11H102KA01D	K22174821		1-	A	E3	
C 3060	CHIP CAP.	0.022uF	25V	B	GRM39B223K25PT	K22144807		1-	A	F3	
C 3061	CHIP CAP.	47pF	50V	CH	GRM1882C1H470JA01D	K22174227		1-	A	G2	
C 3062	CHIP TA.CAP.	10uF	16V		TEMSVB21C106M-8R	K78120025		1-	A	E3	
C 3063	CHIP TA.CAP.	0.33uF	35V		TESVA1V334M1-8R	K78160028		1-	A	F3	
C 3064	CHIP CAP.	0.01uF	50V	B	GRM188B11H103KA01D	K22174823		1-	A	D1	
C 3065	CHIP CAP.	0.01uF	50V	B	GRM188B11H103KA01D	K22174823		1-	A	C2	
C 3066	CHIP CAP.	5pF	50V	CH	GRM1882C1H5R0CZ01D	K22174206		1-	A	G2	
C 3067	CHIP CAP.	0.001uF	50V	B	GRM188B11H102KA01D	K22174821		1-	A	E3	
C 3068	CHIP CAP.	0.001uF	50V	B	GRM188B11H102KA01D	K22174821		1-	A	E3	
C 3069	CHIP CAP.	0.001uF	50V	B	GRM188B11H102KA01D	K22174809		1-	A	C1	
C 3070	CHIP CAP.	82pF	50V	CH	GRM1882C1H820JA01D	K22174233		1-	A	C1	
C 3071	CHIP TA.CAP.	10uF	10V		TEMSVA1A106M-8R	K78100028		1-	A	C1	
C 3075	CHIP CAP.	0.1uF	16V	B	GRM188B11C104KA01D	K22124805		1-	A	E3	
C 3076	CHIP CAP.	5pF	50V	CH	GRM1882C1H5R0CZ01D	K22174206		1-	A	G2	
C 3077	CHIP CAP.	0.01uF	50V	B	GRM188B11H103KA01D	K22174823		1-	A	C2	
C 3079	CHIP CAP.	0.1uF	16V	B	GRM188B11C104KA01D	K22124805		1-	A	H1	
C 3083	CHIP CAP.	5pF	50V	CH	GRM1882C1H5R0CZ01D	K22174206		1-	A	G2	
C 3084	CHIP TA.CAP.	0.1uF	35V		TESVA1V104M1-8R	K78160025		1-	A	H1	
C 3086	CHIP CAP.	0.01uF	50V	B	GRM188B11H103KA01D	K22174823		1-	A	C1	
C 3087	CHIP CAP.	100pF	50V	CH	GRM1882C1H101JA01D	K22174235		1-	A	F2	
C 3089	CHIP CAP.	100pF	50V	CH	GRM1882C1H101JA01D	K22174235		1-	A	F2	
C 3090	CHIP CAP.	0.001uF	50V	B	GRM188B11H102KA01D	K22174809		1-	A	C2	
C 3091	CHIP CAP.	0.001uF	50V	B	GRM188B11H102KA01D	K22174821		1-	A	E3	
C 3092	CHIP CAP.	0.01uF	50V	B	GRM188B11H103KA01D	K22174823		1-	A	E2	
C 3095	CHIP TA.CAP.	10uF	16V		TEMSVB21C106M-8R	K78120025		1-	A	E2	
C 3096	CHIP CAP.	0.01uF	50V	B	GRM188B11H103KA01D	K22174823		1-	A	C2	
C 3097	CHIP TA.CAP.	1uF	16V		TEMSVA21C105M-8R	K78120024		1-	A	C2	
C 3098	CHIP CAP.	0.001uF	50V	B	GRM188B11H102KA01D	K22174809		1-	A	D2	
C 3100	CHIP TA.CAP.	1uF	16V		TEMSVA21C105M-8R	K78120024		1-	A	C1	
C 3101	CHIP CAP.	0.001uF	50V	B	GRM188B11H102KA01D	K22174809		1-	A	F2	
C 3102	CHIP CAP.	0.01uF	50V	B	GRM188B11H103KA01D	K22174823		1-	A	C2	
C 3104	CHIP CAP.	0.1uF	16V	B	GRM188B11C104KA01D	K22124805		1-	A	H1	
C 3105	CHIP TA.CAP.	10uF	10V		TEMSVA1A106M-8R	K78100028		1-	A	B2	
C 3106	CHIP TA.CAP.	10uF	16V		TEMSVB21C106M-8R	K78120025		1-	A	F2	
C 3107	CHIP CAP.	15pF	50V	CH	GRM1882C1H150JA01D	K22174215		1-	A	F2	
C 3108	CHIP CAP.	0.001uF	50V	B	GRM188B11H102KA01D	K22174809		1-	A	G2	
C 3109	CHIP CAP.	0.01uF	50V	B	GRM188B11H103KA01D	K22174823		1-	A	B2	
C 3110	CHIP TA.CAP.	22uF			TPSB226M016Y0600	K78120075		1-	A	H1	
C 3112	CHIP CAP.	0.01uF	50V	B	GRM188B11H103KA01D	K22174823		1-	A	C1	
C 3113	AL.ELECTRO.CAP.	100uF	16V		RE2-16V101MMA	K40129042		1-	A	H1	
C 3115	CHIP CAP.	0.01uF	50V	B	GRM188B11H103KA01D	K22174823		1-	A	E2	
C 3116	CHIP CAP.	0.001uF	50V	B	GRM188B11H102KA01D	K22174809		1-	A	F2	
C 3117	CHIP CAP.	0.001uF	50V	B	GRM188B11H102KA01D	K22174809		1-	A	F2	
C 3118	CHIP CAP.	0.001uF	50V	B	GRM188B11H102KA01D	K22174809		1-	A	G2	
C 3119	CHIP CAP.	0.01uF	50V	B	GRM188B11H103KA01D	K22174823		1-	A	B2	
C 3121	CHIP CAP.	0.001uF	50V	B	GRM188B11H102KA01D	K22174821		1-	A	F2	
C 3122	CHIP CAP.	0.01uF	50V	B	GRM188B11H103KA01D	K22174823		1-	A	B1	

# LOCAL Unit

## Parts List

REF	DESCRIPTION	VALUE	V/W	TOL.	MFR'S DESIG	VXSTD P/N	VERS.	LOT	SIDE	LAY ADR
C 3126	CHIP CAP.	0.1uF	16V	B	GRM188B11C104KA01D	K22124805		1-	A	G1
C 3128	CHIP TA.CAP.	0.1uF	35V		TESVA1V104M1-8R	K78160025		1-	A	G1
C 3129	CHIP CAP.	0.001uF	50V	B	GRM188B11H102KA01D	K22174809		1-	A	B1
C 3131	CHIP CAP.	6pF	50V	CH	GRM1882C1H6R0DZ01D	K22174207		1-	A	F2
C 3135	CHIP CAP.	2pF	50V	CK	GRM1884C1H2R0CZ01D	K22174203		1-	A	G2
C 3136	CHIP CAP.	0.01uF	50V	B	GRM188B11H103KA01D	K22174823		1-	A	B2
C 3137	CHIP CAP.	0.001uF	50V	B	GRM188B11H102KA01D	K22174809		1-	A	B1
C 3138	CHIP CAP.	0.1uF	16V	B	GRM188B11C104KA01D	K22124805		1-	A	G1
C 3139	CHIP CAP.	12pF	50V	CH	GRM1882C1H120JA01D	K22174213		1-	A	F2
C 3140	CHIP CAP.	82pF	50V	CH	GRM1882C1H820JA01D	K22174233		1-	A	B1
C 3141	CHIP TA.CAP.	10uF	10V		TEMSVA1A106M-8R	K78100028		1-	A	B1
C 3142	CHIP CAP.	1pF	50V	CK	GRM1884C1H1R0CZ01D	K22174202		1-	A	F2
C 3143	CHIP TA.CAP.	22uF			TPSB226M016Y0600	K78120075		1-	A	G1
C 3144	CHIP CAP.	0.01uF	50V	B	GRM188B11H103KA01D	K22174823		1-	A	B2
C 3145	CHIP CAP.	12pF	50V	CH	GRM1882C1H120JA01D	K22174213		1-	A	F2
C 3146	CHIP CAP.	0.01uF	50V	B	GRM188B11H103KA01D	K22174823		1-	A	D2
C 3147	CHIP CAP.	0.01uF	50V	B	GRM188B11H103KA01D	K22174823		1-	A	D2
C 3148	CHIP CAP.	0.01uF	50V	B	GRM188B11H103KA01D	K22174823		1-	A	A2
C 3149	CHIP CAP.	0.5pF	50V	CK	GRM1884C1HR50CZ01D	K22174201		1-	A	F2
C 3150	CHIP CAP.	0.01uF	50V	B	GRM188B11H103KA01D	K22174823		1-	A	F2
C 3152	CHIP CAP.	0.01uF	50V	B	GRM188B11H103KA01D	K22174823		1-	A	B1
C 3153	CHIP CAP.	7pF	50V	CH	GRM1882C1H7R0DZ01D	K22174208		1-	A	F2
C 3154	CHIP CAP.	0.001uF	50V	B	GRM188B11H102KA01D	K22174809		1-	A	D2
C 3155	CHIP CAP.	0.001uF	50V	B	GRM188B11H102KA01D	K22174809		1-	A	E2
C 3156	CHIP CAP.	0.001uF	50V	B	GRM188B11H102KA01D	K22174809		1-	A	A2
C 3157	CHIP CAP.	0.001uF	50V	B	GRM188B11H102KA01D	K22174809		1-	A	F2
C 3158	CHIP CAP.	0.001uF	50V	B	GRM188B11H102KA01D	K22174809		1-	A	B2
C 3159	CHIP CAP.	0.001uF	50V	B	GRM188B11H102KA01D	K22174809		1-	A	F2
C 3160	CHIP CAP.	0.01uF	50V	B	GRM188B11H103KA01D	K22174823		1-	A	C3
C 3161	CHIP CAP.	15pF	50V	CH	GRM1882C1H150JA01D	K22174215		1-	A	F1
C 3162	CHIP CAP.	0.001uF	50V	B	GRM188B11H102KA01D	K22174809		1-	A	F2
C 3163	CHIP CAP.	0.1uF	16V	B	GRM188B11C104KA01D	K22124805		1-	A	C2
C 3164	CHIP CAP.	0.1uF	16V	B	GRM188B11C104KA01D	K22124805		1-	A	D1
C 3165	CHIP CAP.	330pF	50V	CH	GRM1882C1H331JA01D	K22174253		1-	A	B3
C 3166	CHIP CAP.	0.001uF	50V	B	GRM188B11H102KA01D	K22174809		1-	A	F1
C 3167	CHIP CAP.	0.001uF	50V	B	GRM188B11H102KA01D	K22174821		1-	A	F1
C 3168	CHIP CAP.	0.001uF	50V	B	GRM188B11H102KA01D	K22174809		1-	A	E1
C 3169	CHIP CAP.	0.1uF	16V	B	GRM188B11C104KA01D	K22124805		1-	A	E2
C 3170	CHIP CAP.	1uF	6.3V	B	GRM188B10J105KA01D	K22084801		1-	A	E1
C 3171	CHIP CAP.	0.1uF	16V	B	GRM188B11C104KA01D	K22124805		1-	A	E1
C 3172	CHIP CAP.	27pF	50V	CH	GRM1882C1H270JA01D	K22174221		1-	A	E1
C 3173	CHIP CAP.	7pF	50V	CH	GRM1882C1H7R0DZ01D	K22174208		1-	A	E1
C 3174	CHIP CAP.	10pF	50V	CH	GRM1882C1H100JA01D	K22174211		1-	A	B1
C 3175	CHIP CAP.	47pF	50V	CH	GRM1882C1H470JA01D	K22174227		1-	A	E1
C 3176	CHIP CAP.	1pF	50V	CK	GRM1884C1H1R0CZ01D	K22174202		1-	A	A1
C 3177	CHIP CAP.	4pF	50V	CH	GRM1882C1H4R0CZ01D	K22174205		1-	A	E1
C 3178	CHIP CAP.	0.001uF	50V	B	GRM188B11H102KA01D	K22174809		1-	A	B3
C 3179	CHIP CAP.	56pF	50V	CH	GRM1882C1H560JA01D	K22174229		1-	A	E1
C 3180	CHIP CAP.	1pF	50V	CK	GRM1884C1H1R0CZ01D	K22174202		1-	A	F1
C 3181	CHIP CAP.	0.001uF	50V	B	GRM188B11H102KA01D	K22174809		1-	A	C2
C 3182	CHIP CAP.	0.001uF	50V	B	GRM188B11H102KA01D	K22174809		1-	A	B1
C 3183	CHIP CAP.	9pF	50V	CH	GRM1882C1H9R0DZ01D	K22174210		1-	A	D1
C 3184	CHIP CAP.	0.1uF	16V	B	GRM188B11C104KA01D	K22124805		1-	A	E1
C 3185	CHIP CAP.	33pF	50V	CH	GRM1882C1H330JA01D	K22174223		1-	A	F1
C 3186	CHIP CAP.	0.1uF	16V	B	GRM188B11C104KA01D	K22124805		1-	A	E1
C 3187	CHIP CAP.	0.001uF	50V	B	GRM188B11H102KA01D	K22174809		1-	A	F1
C 3188	CHIP CAP.	82pF	50V	CH	GRM1882C1H820JA01D	K22174233		1-	A	B1
C 3189	CHIP CAP.	0.001uF	50V	B	GRM188B11H102KA01D	K22174809		1-	A	B1
C 3190	CHIP CAP.	0.001uF	50V	B	GRM188B11H102KA01D	K22174809		1-	A	F1
C 3191	CHIP CAP.	51pF	50V	CH	GRM1882C1H510JZ01D	K22174228		1-	A	B2
C 3192	CHIP CAP.	0.1uF	16V	B	GRM188B11C104KA01D	K22124805		1-	A	E2
C 3193	CHIP CAP.	1pF	50V	CK	GRM1884C1H1R0CZ01D	K22174202		1-	A	B2
C 3194	CHIP CAP.	2pF	50V	CK	GRM1884C1H2R0CZ01D	K22174203		1-	A	B1
C 3195	CHIP CAP.	0.1uF	16V	B	GRM188B11C104KA01D	K22124805		1-	A	E1
C 3196	CHIP TA.CAP.	0.22uF	35V		TESVA1V224M1-8R	K78160027		1	A	E2
C 3196	TANTALUM CAP.	0.22uF	35V		DN1VR22M1S	K70167224		2-	A	E2
C 3196	CHIP TA.CAP.	0.22uF	35V		TESVA1V224M1-8R	K78160027		4-	A	E2
C 3197	CHIP CAP.	0.1uF	16V	B	GRM188B11C104KA01D	K22124805		1-	A	A1
C 3198	CHIP CAP.	82pF	50V	CH	GRM1882C1H820JA01D	K22174233		1-	A	B1
C 3199	CHIP CAP.	0.01uF	50V	B	GRM188B11H103KA01D	K22174823		1-	A	A1
C 3200	CHIP CAP.	0.1uF	16V	B	GRM188B11C104KA01D	K22124805		1-	A	E1
C 3201	CHIP CAP.	0.001uF	50V	B	GRM188B11H102KA01D	K22174809		1-	A	C2
C 3202	CHIP CAP.	0.001uF	50V	B	GRM188B11H102KA01D	K22174809		1-	A	C1

# LOCAL Unit

## Parts List

REF	DESCRIPTION	VALUE	V/W	TOL.	MFR'S DESIG	VXSTD P/N	VERS.	LOT	SIDE	LAY ADR
C 3203	CHIP CAP.	0.1uF	16V	B	GRM188B11C104KA01D	K22124805		1-	A	E1
C 3204	CHIP CAP.	51pF	50V	CH	GRM1882C1H510JZ01D	K22174228		1-	A	B2
C 3205	CHIP CAP.	0.01uF	50V	B	GRM188B11H103KA01D	K22174823		1-	A	B2
C 3206	CHIP CAP.	0.001uF	50V	B	GRM188B11H102KA01D	K22174809		1-	A	C2
C 3207	CHIP CAP.	0.001uF	50V	B	GRM188B11H102KA01D	K22174809		1-	A	F1
C 3209	CHIP CAP.	0.1uF	16V	B	GRM188B11C104KA01D	K22124805		1-	A	E1
C 3210	CHIP CAP.	0.01uF	50V	B	GRM188B11H103KA01D	K22174823		1-	A	B3
C 3211	CHIP CAP.	0.1uF	16V	B	GRM188B11C104KA01D	K22124805		1-	A	F1
C 3212	CHIP CAP.	0.001uF	50V	B	GRM188B11H102KA01D	K22174809		1-	A	B1
C 3213	CHIP CAP.	0.1uF	16V	B	GRM188B11C104KA01D	K22124805		1-	A	E1
C 3216	CHIP CAP.	47pF	50V	CH	GRM1882C1H470JA01D	K22174227		1-	A	C2
C 3217	CHIP CAP.	0.001uF	50V	B	GRM188B11H102KA01D	K22174809		1	A	F1
C 3217	CHIP CAP.	56pF	50V	CH	GRM1882C1H560JA01D	K22174229		2-	A	F1
C 3218	CHIP CAP.	0.1uF	16V	B	GRM188B11C104KA01D	K22124805		1-	A	E1
C 3220	CHIP CAP.	27pF	50V	CH	GRM1882C1H270JA01D	K22174221		1-	A	C2
C 3223	CHIP CAP.	0.1uF	16V	B	GRM188B11C104KA01D	K22124805		1-	A	E1
C 3224	CHIP CAP.	0.1uF	16V	B	GRM188B11C104KA01D	K22124805		1-3	A	E2
C 3225	CHIP CAP.	0.1uF	16V	B	GRM188B11C104KA01D	K22124805		1-	A	E2
C 3227	CHIP CAP.	0.001uF	50V	B	GRM188B11H102KA01D	K22174809		1	A	F1
C 3227	CHIP CAP.	56pF	50V	CH	GRM1882C1H560JA01D	K22174229		2-	A	F1
C 3228	CHIP CAP.	100pF	50V	CH	GRM1882C1H101JA01D	K22174235		1-	A	C2
C 3229	CHIP TA.CAP.	1uF	16V		TEMSVA21C105M-8R	K78120024		1-	A	E1
C 3230	CHIP CAP.	0.1uF	16V	B	GRM188B11C104KA01D	K22124805		1-	A	E2
C 3231	CHIP CAP.	0.01uF	50V	B	GRM188B11H103KA01D	K22174823		1-	A	B3
C 3232	CHIP CAP.	9pF	50V	CH	GRM1882C1H9R0DZ01D	K22174210		1-	A	C2
C 3234	CHIP CAP.	0.001uF	50V	B	GRM188B11H102KA01D	K22174809		1-	A	E2
C 3235	CHIP CAP.	0.001uF	50V	B	GRM188B11H102KA01D	K22174809		2-	A	F1
C 3236	CHIP CAP.	0.01uF	50V	B	GRM188B11H103KA01D	K22174823		1-	A	B2
C 3237	CHIP CAP.	0.1uF	16V	B	GRM188B11C104KA01D	K22124805		1-	A	C2
C 3238	CHIP CAP.	56pF	50V	CH	GRM1882C1H560JA01D	K22174229		1-	A	C2
C 3239	CHIP TA.CAP.	1uF	16V		TEMSVA21C105M-8R	K78120024		1-	A	F2
C 3241	CHIP CAP.	0.1uF	16V	B	GRM188B11C104KA01D	K22124805		1-	A	B1
C 3242	CHIP CAP.	0.01uF	50V	B	GRM188B11H103KA01D	K22174823		1-	A	B3
C 3243	CHIP CAP.	0.01uF	50V	B	GRM188B11H103KA01D	K22174823		1-	A	B1
C 3244	CHIP CAP.	0.001uF	50V	B	GRM188B11H102KA01D	K22174809		1-	A	F2
C 3245	CHIP CAP.	0.01uF	50V	B	GRM188B11H103KA01D	K22174823		1-	A	F1
C 3246	CHIP CAP.	330pF	50V	CH	GRM1882C1H331JA01D	K22174253		1-	A	B3
C 3247	CHIP CAP.	0.01uF	50V	B	GRM188B11H103KA01D	K22174823		1-	A	A2
C 3248	CHIP TA.CAP.	1uF	16V		TEMSVA21C105M-8R	K78120024		1-	A	F1
C 3249	CHIP TA.CAP.	1uF	16V		TEMSVA21C105M-8R	K78120024		1-	A	A2
C 3250	CHIP CAP.	0.001uF	50V	B	GRM188B11H102KA01D	K22174809		1-	A	C3
C 3251	CHIP CAP.	9pF	50V	CH	GRM1882C1H9R0DZ01D	K22174210		1-	A	D1
C 3252	CHIP CAP.	10pF	50V	CH	GRM1882C1H100JA01D	K22174211		1-	A	C1
C 3253	CHIP CAP.	1pF	50V	CK	GRM1884C1H1R0CZ01D	K22174202		1-	A	A1
C 3254	CHIP CAP.	15pF	50V	CH	GRM1882C1H150JA01D	K22174215		1-	A	F2
C 3255	CHIP CAP.	0.001uF	50V	B	GRM188B11H102KA01D	K22174809		1-	A	F2
C 3256	CHIP CAP.	0.01uF	50V	B	GRM188B11H103KA01D	K22174823		1-	A	B2
C 3257	CHIP CAP.	0.001uF	50V	B	GRM188B11H102KA01D	K22174809		1-	A	F1
C 3258	CHIP CAP.	0.001uF	50V	B	GRM188B11H102KA01D	K22174809		1-	A	B3
C 3259	CHIP CAP.	0.001uF	50V	B	GRM188B11H102KA01D	K22174821		1-	A	F2
C 3260	CHIP CAP.	0.001uF	50V	B	GRM188B11H102KA01D	K22174809		1-	A	G2
C 3261	CHIP CAP.	0.1uF	16V	B	GRM188B11C104KA01D	K22124805		1-	A	G1
C 3262	CHIP CAP.	0.001uF	50V	B	GRM188B11H102KA01D	K22174809		1-	A	C1
C 3263	CHIP CAP.	1uF	6.3V	B	GRM188B10J105KA01D	K22084801		1-	A	G2
C 3264	CHIP CAP.	0.1uF	16V	B	GRM188B11C104KA01D	K22124805		1-	A	G2
C 3265	CHIP CAP.	27pF	50V	CH	GRM1882C1H270JA01D	K22174221		1-	A	H2
C 3266	CHIP CAP.	2pF	50V	CK	GRM1884C1H2R0CZ01D	K22174203		1	A	G2
C 3266	CHIP CAP.	7pF	50V	CH	GRM1882C1H7R0DZ01D	K22174208		2-	A	G2
C 3267	CHIP CAP.	82pF	50V	CH	GRM1882C1H820JA01D	K22174233		1-	A	C1
C 3268	CHIP CAP.	0.001uF	50V	B	GRM188B11H102KA01D	K22174809		1-	A	B1
C 3269	CHIP CAP.	47pF	50V	CH	GRM1882C1H470JA01D	K22174227		1-	A	G2
C 3270	CHIP CAP.	0.001uF	50V	B	GRM188B11H102KA01D	K22174809		1-	A	C3
C 3271	CHIP CAP.	0.001uF	50V	B	GRM188B11H102KA01D	K22174809		1-	A	D1
C 3272	CHIP CAP.	0.01uF	50V	B	GRM188B11H103KA01D	K22174823		1-	A	A2
C 3273	CHIP CAP.	5pF	50V	CH	GRM1882C1H5R0CZ01D	K22174206		1	A	G2
C 3273	CHIP CAP.	4pF	50V	CH	GRM1882C1H4R0CZ01D	K22174205		2-	A	G2
C 3274	CHIP CAP.	0.001uF	50V	B	GRM188B11H102KA01D	K22174809		1-	A	C3
C 3275	CHIP CAP.	0.01uF	50V	B	GRM188B11H103KA01D	K22174823		1-	A	A3
C 3277	CHIP CAP.	2pF	50V	CK	GRM1884C1H2R0CZ01D	K22174203		1-	A	C1
C 3278	CHIP CAP.	56pF	50V	CH	GRM1882C1H560JA01D	K22174229		1-	A	G2
C 3279	CHIP CAP.	12pF	50V	CH	GRM1882C1H120JA01D	K22174213		1	A	G2
C 3279	CHIP CAP.	1pF	50V	CK	GRM1884C1H1R0CZ01D	K22174202		2-	A	G2
C 3280	CHIP CAP.	0.01uF	50V	B	GRM188B11H103KA01D	K22174823		1-	A	A1

# LOCAL Unit

## Parts List

REF	DESCRIPTION	VALUE	V/W	TOL.	MFR'S DESIG	VXSTD P/N	VERS.	LOT	SIDE	LAY ADR
C 3281	CHIP CAP.	47pF	50V	CH	GRM1882C1H470JA01D	K22174227		1-	A	C3
C 3282	CHIP CAP.	82pF	50V	CH	GRM1882C1H820JA01D	K22174233		1-	A	C1
C 3283	CHIP CAP.	0.1uF	16V	B	GRM188B11C104KA01D	K22124805		1-	A	G2
C 3284	CHIP CAP.	33pF	50V	CH	GRM1882C1H330JA01D	K22174223		1-	A	G2
C 3285	CHIP CAP.	27pF	50V	CH	GRM1882C1H270JA01D	K22174221		1-	A	C3
C 3287	CHIP CAP.	0.01uF	50V	B	GRM188B11H103KA01D	K22174823		1-	A	A2
C 3288	CHIP CAP.	0.01uF	50V	B	GRM188B11H103KA01D	K22174823		1-	A	A3
C 3289	CHIP CAP.	0.1uF	16V	B	GRM188B11C104KA01D	K22124805		1-	A	G2
C 3290	CHIP CAP.	0.001uF	50V	B	GRM188B11H102KA01D	K22174809		1-	A	G2
C 3291	CHIP CAP.	0.001uF	50V	B	GRM188B11H102KA01D	K22174809		1-	A	G3
C 3292	CHIP CAP.	100pF	50V	CH	GRM1882C1H101JA01D	K22174235		1-	A	C3
C 3294	CHIP CAP.	330pF	50V	B	GRM188B11H331KD01D	K22174803		1-	A	A3
C 3295	CHIP CAP.	0.001uF	50V	B	GRM188B11H102KA01D	K22174809		1-	A	C1
C 3296	CHIP CAP.	9pF	50V	CH	GRM1882C1H9R0DZ01D	K22174210		1-	A	C3
C 3297	CHIP CAP.	0.1uF	16V	B	GRM188B11C104KA01D	K22124805		1-	A	G1
C 3298	CHIP CAP.	0.1uF	16V	B	GRM188B11C104KA01D	K22124805		1-	A	G2
C 3299	CHIP TA.CAP.	0.22uF	35V		TESVA1V224M1-8R	K78160027		1	A	G1
C 3299	TANTALUM CAP.	0.22uF	35V		DN1VR22M1S	K70167224		2-	A	G1
C 3299	CHIP TA.CAP.	0.22uF	35V		TESVA1V224M1-8R	K78160027		4-	A	G1
C 3300	CHIP CAP.	56pF	50V	CH	GRM1882C1H560JA01D	K22174229		1-	A	C3
C 3302	CHIP CAP.	330pF	50V	B	GRM188B11H331KD01D	K22174803		1-	A	A3
C 3303	CHIP CAP.	0.1uF	16V	B	GRM188B11C104KA01D	K22124805		1-	A	G2
C 3304	CHIP CAP.	0.1uF	16V	B	GRM188B11C104KA01D	K22124805		1-	A	G2
C 3305	CHIP CAP.	0.001uF	50V	B	GRM188B11H102KA01D	K22174809		1-	A	G3
C 3306	CHIP CAP.	0.1uF	16V	B	GRM188B11C104KA01D	K22124805		1-	A	G2
C 3307	CHIP CAP.	0.1uF	16V	B	GRM188B11C104KA01D	K22124805		1-	A	G2
C 3308	CHIP CAP.	0.1uF	16V	B	GRM188B11C104KA01D	K22124805		1-	A	G2
C 3311	CHIP CAP.	0.001uF	50V	B	GRM188B11H102KA01D	K22174809		1	A	G3
C 3311	CHIP CAP.	56pF	50V	CH	GRM1882C1H560JA01D	K22174229		2-	A	G3
C 3312	CHIP CAP.	0.01uF	50V	B	GRM188B11H103KA01D	K22174823		1-	A	F1
C 3313	CHIP CAP.	0.1uF	16V	B	GRM188B11C104KA01D	K22124805		1-	A	G2
C 3315	CHIP CAP.	0.01uF	50V	B	GRM188B11H103KA01D	K22174823		1-	A	C1
C 3316	CHIP CAP.	0.1uF	16V	B	GRM188B11C104KA01D	K22124805		1-	A	B1
C 3318	CHIP CAP.	0.1uF	16V	B	GRM188B11C104KA01D	K22124805		1-	A	G2
C 3319	CHIP CAP.	0.1uF	16V	B	GRM188B11C104KA01D	K22124805		1-3	A	G1
C 3320	CHIP CAP.	0.1uF	16V	B	GRM188B11C104KA01D	K22124805		1-	A	G1
C 3322	CHIP TA.CAP.	1uF	16V		TEMSVA21C105M-8R	K78120024		1-	A	F1
C 3323	CHIP CAP.	0.001uF	50V	B	GRM188B11H102KA01D	K22174809		1	A	G3
C 3323	CHIP CAP.	56pF	50V	CH	GRM1882C1H560JA01D	K22174229		2-	A	G3
C 3324	CHIP TA.CAP.	1uF	16V		TEMSVA21C105M-8R	K78120024		1-	A	A3
C 3325	CHIP TA.CAP.	1uF	16V		TEMSVA21C105M-8R	K78120024		1-	A	G2
C 3326	CHIP CAP.	0.1uF	16V	B	GRM188B11C104KA01D	K22124805		1-	A	G1
C 3327	CHIP CAP.	0.01uF	50V	B	GRM188B11H103KA01D	K22174823		1-	A	A2
C 3328	CHIP CAP.	0.1uF	16V	B	GRM188B11C104KA01D	K22124805		1-	A	F1
C 3330	CHIP CAP.	0.001uF	50V	B	GRM188B11H102KA01D	K22174809		1-	A	G1
C 3331	CHIP CAP.	0.001uF	50V	B	GRM188B11H102KA01D	K22174809		1-	A	G3
C 3332	CHIP TA.CAP.	1uF	16V		TEMSVA21C105M-8R	K78120024		1-	A	F1
C 3334	CHIP CAP.	0.001uF	50V	B	GRM188B11H102KA01D	K22174809		1-	A	H3
C 3335	CHIP CAP.	0.1uF	16V	B	GRM188B11C104KA01D	K22124805		1-	A	H3
C 3336	CHIP CAP.	0.001uF	50V	B	GRM188B11H102KA01D	K22174809		1-	A	D2
C 3337	CHIP CAP.	0.001uF	50V	B	GRM188B11H102KA01D	K22174809		1-	A	D2
C 3338	CHIP CAP.	0.01uF	50V	B	GRM188B11H103KA01D	K22174823		1	A	E1
C 3338	CHIP CAP.	0.1uF	16V	B	GRM188B11C104KA01D	K22124805		2-	A	E1
C 3339	CHIP CAP.	0.01uF	50V	B	GRM188B11H103KA01D	K22174823		1	A	D1
C 3339	CHIP CAP.	0.1uF	16V	B	GRM188B11C104KA01D	K22124805		2-	A	D1
C 3340	CHIP CAP.	0.1uF	16V	B	GRM188B11C104KA01D	K22124805		2-	A	D1
C 3341	CHIP CAP.	0.01uF	50V	B	GRM188B11H103KA01D	K22174823		1-	A	C1
C 3342	CHIP CAP.	0.01uF	50V	B	GRM188B11H103KA01D	K22174823		1-	A	B1
C 3343	CHIP CAP.	0.01uF	50V	B	GRM188B11H103KA01D	K22174823		1-	A	A1
C 3344	CHIP CAP.	0.01uF	50V	B	GRM188B11H103KA01D	K22174823		1-	A	A1
C 3345	CHIP CAP.	0.001uF	50V	B	GRM188B11H102KA01D	K22174809		1-	A	H2
C 3346	CHIP CAP.	0.001uF	50V	B	GRM188B11H102KA01D	K22174809		1-	A	H2
C 3347	CHIP CAP.	0.001uF	50V	B	GRM188B11H102KA01D	K22174809		1-	A	F1
C 3348	CHIP CAP.	0.001uF	50V	B	GRM188B11H102KA01D	K22174809		2-	A	D2
C 3349	CHIP CAP.	0.1uF	16V	B	GRM188B11C104KA01D	K22124805		1-	A	E3
C 3350	CHIP CAP.	0.1uF	16V	B	GRM188B11C104KA01D	K22124805		1-	A	G2
C 3351	CHIP CAP.	0.1uF	16V	B	GRM188B11C104KA01D	K22124805		1-	A	F2
C 3352	CHIP CAP.	0.001uF	50V	B	GRM188B11H102KA01D	K22174809		1-	A	E3
C 3353	CHIP CAP.	0.1uF	16V	B	GRM188B11C104KA01D	K22124805		1-	A	C2
C 3354	CHIP CAP.	0.1uF	16V	B	GRM188B11C104KA01D	K22124805		1-	A	C3
C 3355	CHIP CAP.	0.1uF	16V	B	GRM188B11C104KA01D	K22124805		1-	A	C1
C 3356	CHIP CAP.	0.1uF	16V	B	GRM188B11C104KA01D	K22124805		1-	A	D1
C 3359	CHIP CAP.	0.1uF	16V	B	GRM188B11C104KA01D	K22124805		1-	A	C1

# LOCAL Unit

## Parts List

REF	DESCRIPTION	VALUE	V/W	TOL.	MFR'S DESIG	VXSTD P/N	VERS.	LOT	SIDE	LAY ADR
C 3360	CHIP CAP.	0.1uF	16V	B	GRM188B11C104KA01D	K22124805		1-	A	D1
D 3001	DIODE				1SV229 TPH3	G2070256		1-	A	F2
D 3002	DIODE				1SV229 TPH3	G2070256		1-	A	F2
D 3003	DIODE				BAS316	G2070716		1-	A	H1
D 3005	DIODE				DAP236U T106	G2070592		1-	A	A2
FB3001	CHIP COIL				BLM21PG300SN1D	L1690840		1-	A	H1
FB3002	CHIP COIL				BLM21PG300SN1D	L1690840		1-	A	H1
FB3003	CHIP COIL				BLM21PG300SN1D	L1690840		1-	A	G1
FB3004	CHIP COIL				BLM21PG300SN1D	L1690840		1-	A	G1
J 3001	CONNECTOR				30FLT-SM1-TB	P1091142		1-	A	G1
J 3002	CONNECTOR				TMP-J01X-V6	P1090210		1-	A	H2
J 3003	CONNECTOR				TMP-J01X-V6	P1090210		1-	A	H2
J 3004	CONNECTOR				TMP-J01X-V6	P1090210		1-	A	F1
J 3005	CONNECTOR				TMP-J01X-V6	P1090210		1-	A	D2
J 3006	CONNECTOR				TMP-J01X-V6	P1090210		1-	A	D2
J 3007	CONNECTOR				TMP-J01X-V6	P1090210		1-	A	D2
J 3008	CONNECTOR				TMP-J01X-V6	P1090210		1-	A	E1
J 3009	CONNECTOR				TMP-J01X-V6	P1090210		1-	A	D1
J 3010	CONNECTOR				TMP-J01X-V6	P1090210		1-	A	D1
J 3011	CONNECTOR				TMP-J01X-V6	P1090210		1-	A	A2
J 3012	CONNECTOR				TMP-J01X-V6	P1090210		1-	A	C1
J 3013	CONNECTOR				TMP-J01X-V6	P1090210		1-	A	B1
J 3014	CONNECTOR				TMP-J01X-V6	P1090210		1-	A	A1
J 3015	CONNECTOR				TMP-J01X-V6	P1090210		1-	A	A1
JP3001	WIRE ASSY				GRN 35 2/2	T50503500		1-3		
JP3002	WIRE ASSY				GRN 75 2/2	T50507500		1-3		
L 3001	M.RFC	100uH			FLC32T-101J	L1690227		1-	A	A2
L 3002	M.RFC	100uH			FLC32T-101J	L1690227		1-	A	B2
L 3003	M.RFC	1uH		5%	C2012C-1R0J	L1691160		1-	A	F2
L 3004	COIL	0.01uH			AS1003-10NK	L0022544		1-	A	F2
L 3005	M.RFC	0.33uH		5%	C2012C-R33J	L1691018		1-	A	G2
L 3006	M.RFC	10uH			LK1608 100K-T	L1690689		1-	A	E3
L 3007	M.RFC	100uH			FLC32T-101J	L1690227		1-	A	D2
L 3008	M.RFC	1uH		5%	C2012C-1R0J	L1691160		1-	A	G2
L 3009	M.RFC	100uH			FLC32T-101J	L1690227		1-	A	C1
L 3010	M.RFC	100uH			FLC32T-101J	L1690227		1-	A	E2
L 3011	M.RFC	100uH			FLC32T-101J	L1690227		1-	A	F2
L 3012	M.RFC	100uH			FLC32T-101J	L1690227		1-	A	E2
L 3013	M.RFC	100uH			FLC32T-101J	L1690227		1-	A	B2
L 3014	M.RFC	100uH			FLC32T-101J	L1690227		1-	A	C2
L 3015	M.RFC	0.01uH		2%	C1608CB-10NG	L1691032		1-	A	F2
L 3016	M.RFC	100uH			FLC32T-101J	L1690227		1-	A	A2
L 3017	M.RFC	100uH			FLC32T-101J	L1690227		1-	A	D2
L 3018	M.RFC	100uH			FLC32T-101J	L1690227		1-	A	C2
L 3019	M.RFC	0.018uH		5%	C2012C-18NJ	L1690783		1-	A	F2
L 3020	M.RFC	0.022uH		5%	C2012C-22NJ	L1690784		1-	A	F2
L 3021	M.RFC	0.022uH		5%	C2012C-22NJ	L1690784		1-	A	F2
L 3022	M.RFC	100uH			FLC32T-101J	L1690227		1-	A	B1
L 3023	M.RFC	0.047uH			HK1608 47NJ-T	L1690524		1-	A	B3
L 3024	M.RFC	0.01uH		2%	C1608CB-10NG	L1691032		1-	A	F1
L 3025	M.RFC	100uH			FLC32T-101J	L1690227		1-	A	C2
L 3026	M.RFC	10uH			LK1608 100K-T	L1690689		1-	A	D1
L 3027	M.RFC	10uH			LK1608 100K-T	L1690689		1-	A	C3
L 3028	CHIP COIL	0.082uH			C2520C-82NK	L1690543		1-	A	E1
L 3029	M.RFC	10uH			LK1608 100K-T	L1690689		1-	A	B1
L 3030	M.RFC	10uH			LK1608 100K-T	L1690689		1-	A	A1
L 3031	CHIP COIL	0.1uH			C2520C-R10J	L1690544		1-	A	E1
L 3032	CHIP COIL	0.1uH			C2520C-R10J	L1690544		1-	A	F1
L 3033	M.RFC	0.33uH			LK1608 R33K-T	L1690412		1-	A	F1
L 3036	M.RFC	0.15uH			LK1608 R15K-T	L1690409		1-	A	C2
L 3038	M.RFC	0.18uH			LK1608 R18K-T	L1690392		1-	A	C2
L 3039	CHIP COIL	10uH			LQH32MN100K23L	L1690087		1-	A	E1
L 3041	CHIP COIL	10uH			LQH32MN100K23L	L1690087		1-	A	F2
L 3042	M.RFC	0.047uH			HK1608 47NJ-T	L1690524		1-	A	B2
L 3043	M.RFC	10uH			LK1608 100K-T	L1690689		1-	A	B1
L 3044	M.RFC	0.01uH		2%	C1608CB-10NG	L1691032		1-	A	F2
L 3045	CHIP COIL	0.082uH			C2520C-82NK	L1690543		1-	A	G2
L 3046	CHIP COIL	0.1uH			C2520C-R10J	L1690544		1-	A	G2
L 3048	CHIP COIL	0.1uH			C2520C-R10J	L1690544		1-	A	G2
L 3049	M.RFC	0.15uH			LK1608 R15K-T	L1690409		1-	A	C3
L 3050	M.RFC	0.18uH			LK1608 R18K-T	L1690392		1-	A	C3
L 3052	M.RFC	0.82uH			LK1608 R82K-T	L1690417		1-	A	A3
L 3053	M.RFC	0.33uH			LK1608 R33K-T	L1690412		1-	A	G2

# LOCAL Unit

## Parts List

REF	DESCRIPTION	VALUE	V/W	TOL.	MFR'S DESIG	VXSTD P/N	VERS.	LOT	SIDE	LAY ADR
L 3055	M.RFC	100uH			FLC32T-101J	L1690227		1-	A	A2
L 3057	CHIP COIL	10uH			LQH32MN100K23L	L1690087		1-	A	G2
L 3059	M.RFC	100uH			FLC32T-101J	L1690227		1-	A	F1
L 3060	CHIP COIL	10uH			LQH32MN100K23L	L1690087		1-	A	F1
L 3061	M.RFC	0.22uH			HK1608 R22J-T	L1690940		2-	A	F1
L 3062	M.RFC	0.12uH			HK1608 R12J-T	L1690937		2-	A	F1
L 3063	M.RFC	0.22uH			HK1608 R22J-T	L1690940		2-	A	F1
L 3064	M.RFC	0.22uH			HK1608 R22J-T	L1690940		2-	A	G3
L 3065	M.RFC	0.12uH			HK1608 R12J-T	L1690937		2-	A	G3
L 3066	M.RFC	0.22uH			HK1608 R22J-T	L1690940		2-	A	G3
Q 3001	IC				AD9835BRU	G1093142		1-	A	A2
Q 3002	IC				AD9850BRS-REEL	G1092567		1-	A	C2
Q 3003	IC				AD9835BRU	G1093142		1-	A	D2
Q 3004	TRANSISTOR				2SC4154-T11-1E	G3341548E		1-	A	E3
Q 3005	FET				2SK508-T2B K52	G3805087B		1-	A	G2
Q 3006	IC				ADF4116BRU(TAPE)	G1093581		1-	A	E2
Q 3007	TRANSISTOR				2SC4400-3-TL	G3344008C		1-	A	C2
Q 3008	IC				KIA7805API	G1093163		1-	A	H1
Q 3009	TRANSISTOR				DTC114EK T146	G3070002		1-	A	E1
Q 3010	IC				AD9835BRU	G1093142		1-	A	D2
Q 3011	TRANSISTOR				2SC5374-TL	G3353748		1-	A	G2
Q 3012	IC				AD9850BRS-REEL	G1092567		1-	A	B2
Q 3013	TRANSISTOR				2SC5374-TL	G3353748		1-	A	F2
Q 3015	IC				BA18BC0FP-E2	G1094034		1-	A	G1
Q 3016	TRANSISTOR				2SC4400-3-TL	G3344008C		1-	A	D2
Q 3017	TRANSISTOR				2SC4400-3-TL	G3344008C		1-	A	E2
Q 3018	TRANSISTOR				2SC4400-3-TL	G3344008C		1-	A	A2
Q 3019	TRANSISTOR				2SC4400-3-TL	G3344008C		1-	A	E2
Q 3020	TRANSISTOR				2SC4400-3-TL	G3344008C		1-	A	B2
Q 3021	TRANSISTOR				2SC5374-TL	G3353748		1-	A	F2
Q 3022	TRANSISTOR				2SC4400-3-TL	G3344008C		1-	A	B3
Q 3023	TRANSISTOR				2SC4400-3-TL	G3344008C		1-	A	B1
Q 3024	TRANSISTOR				2SC4400-3-TL	G3344008C		1-	A	A1
Q 3025	TRANSISTOR				2SC4400-3-TL	G3344008C		1-	A	A1
Q 3026	TRANSISTOR				2SC4400-3-TL	G3344008C		1-	A	C2
Q 3027	TRANSISTOR				2SC4400-3-TL	G3344008C		1-	A	C1
Q 3028	IC				UPC1678GV-E1	G1094126		1-	A	F1
Q 3029	TRANSISTOR				2SC4400-3-TL	G3344008C		1-	A	C2
Q 3030	TRANSISTOR				2SC4400-3-TL	G3344008C		1-	A	C1
Q 3031	IC				AD9951YSV-REEL7	G1094023		1-	A	E2
Q 3032	TRANSISTOR				2SC4400-3-TL	G3344008C		1-	A	B3
Q 3033	TRANSISTOR				2SC4400-3-TL	G3344008C		1-	A	B1
Q 3034	TRANSISTOR				2SC4400-3-TL	G3344008C		1-	A	B1
Q 3035	TRANSISTOR				2SC4400-3-TL	G3344008C		1-	A	B2
Q 3036	TRANSISTOR				2SC5374-TL	G3353748		1-	A	F2
Q 3037	TRANSISTOR				2SC4400-3-TL	G3344008C		1-	A	B2
Q 3038	TRANSISTOR				2SC4400-3-TL	G3344008C		1-	A	C3
Q 3039	TRANSISTOR				2SC4400-3-TL	G3344008C		1-	A	D1
Q 3040	TRANSISTOR				2SC4400-3-TL	G3344008C		1-	A	C1
Q 3041	TRANSISTOR				2SC4400-3-TL	G3344008C		1-	A	A1
Q 3042	TRANSISTOR				DTC114EK T146	G3070002		1-	A	B3
Q 3043	TRANSISTOR				2SC4400-3-TL	G3344008C		1-	A	C3
Q 3044	TRANSISTOR				2SC4400-3-TL	G3344008C		1-	A	D1
Q 3045	TRANSISTOR				2SC4400-3-TL	G3344008C		1-	A	A1
Q 3046	IC				UPC1678GV-E1	G1094126		1-	A	G2
Q 3047	TRANSISTOR				2SC4400-3-TL	G3344008C		1-	A	C1
Q 3048	IC				AD9951YSV-REEL7	G1094023		1-	A	G2
Q 3049	TRANSISTOR				2SC4400-3-TL	G3344008C		1-	A	C1
Q 3050	TRANSISTOR				UMD2N TR	G3070076		1-	A	B3
R 3001	CHIP RES.	10k	1/16W	5%	RMC1/16 103JATP	J24185103		1-	A	F3
R 3002	CHIP RES.	3.9k	1/16W	5%	RMC1/16 392JATP	J24185392		1-	A	A2
R 3003	CHIP RES.	47	1/16W	5%	RMC1/16 470JATP	J24185470		1-	A	A2
R 3004	CHIP RES.	100	1/16W	5%	RMC1/16 101JATP	J24185101		1-	A	F2
R 3005	CHIP RES.	100	1/16W	5%	RMC1/16 101JATP	J24185101		1-	A	A2
R 3006	CHIP RES.	100	1/16W	5%	RMC1/16 101JATP	J24185101		1-	A	B2
R 3007	CHIP RES.	100	1/16W	5%	RMC1/16 101JATP	J24185101		1-	A	A2
R 3008	CHIP RES.	100	1/16W	5%	RMC1/16 101JATP	J24185101		1-	A	A2
R 3009	CHIP RES.	100	1/16W	5%	RMC1/16 101JATP	J24185101		1-	A	A2
R 3010	CHIP RES.	0	1/16W	5%	RMC1/16 000JATP	J24185000		1-	A	F2
R 3011	CHIP RES.	100	1/16W	5%	RMC1/16 101JATP	J24185101		1-	A	C2
R 3013	CHIP RES.	100	1/16W	5%	RMC1/16 101JATP	J24185101		1-	A	C2
R 3014	CHIP RES.	2.2k	1/16W	5%	RMC1/16 222JATP	J24185222		1-	A	F2
R 3015	CHIP RES.	10k	1/16W	5%	RMC1/16 103JATP	J24185103		1-	A	D1



# LOCAL Unit

## Parts List

REF	DESCRIPTION	VALUE	V/W	TOL.	MFR'S DESIG	VXSTD P/N	VERS.	LOT	SIDE	LAY ADR
R 3016	CHIP RES.	47	1/16W	5%	RMC1/16 470JATP	J24185470		1-	A	C1
R 3017	CHIP RES.	27	1/16W	5%	RMC1/16 270JATP	J24185270		1-	A	C1
R 3018	CHIP RES.	3.9k	1/16W	5%	RMC1/16 392JATP	J24185392		1-	A	D2
R 3019	CHIP RES.	330	1/16W	5%	RMC1/16 331JATP	J24185331		1-	A	G2
R 3020	CHIP RES.	3.9k	1/16W	5%	RMC1/16 392JATP	J24185392		1-	A	C2
R 3021	CHIP RES.	0	1/16W	5%	RMC1/16 000JATP	J24185000		1-	A	E3
R 3022	CHIP RES.	4.7k	1/16W	5%	RMC1/16 472JATP	J24185472		1-	A	E3
R 3023	CHIP RES.	47	1/16W	5%	RMC1/16 470JATP	J24185470		1-	A	D2
R 3024	CHIP RES.	1k	1/16W	5%	RMC1/16 102JATP	J24185102		1-	A	C1
R 3025	CHIP RES.	4.7k	1/16W	5%	RMC1/16 472JATP	J24185472		1-	A	F3
R 3026	CHIP RES.	0	1/16W	5%	RMC1/16 000JATP	J24185000		1-	A	F2
R 3028	CHIP RES.	100	1/16W	5%	RMC1/16 101JATP	J24185101		1-	A	D2
R 3029	CHIP RES.	1k	1/16W	5%	RMC1/16 102JATP	J24185102		1-	A	E3
R 3030	CHIP RES.	1k	1/16W	5%	RMC1/16 102JATP	J24185102		1-	A	C2
R 3031	CHIP RES.	47	1/16W	5%	RMC1/16 470JATP	J24185470		1-	A	E3
R 3032	CHIP RES.	100	1/16W	5%	RMC1/16 101JATP	J24185101		1-	A	E2
R 3033	CHIP RES.	100	1/16W	5%	RMC1/16 101JATP	J24185101		1-	A	E2
R 3034	CHIP RES.	0	1/16W	5%	RMC1/16 000JATP	J24185000		1-	A	C2
R 3035	CHIP RES.	100	1/16W	5%	RMC1/16 101JATP	J24185101		1-	A	E2
R 3036	CHIP RES.	150	1/16W	5%	RMC1/16 151JATP	J24185151		1-	A	G3
R 3037	CHIP RES.	100	1/16W	5%	RMC1/16 101JATP	J24185101		1-	A	C2
R 3038	CHIP RES.	470	1/16W	5%	RMC1/16 471JATP	J24185471		1-	A	C2
R 3039	CHIP RES.	0	1/16W	5%	RMC1/16 000JATP	J24185000		1-	A	E3
R 3040	CHIP RES.	33k	1/16W	5%	RMC1/16 333JATP	J24185333		1-	A	C2
R 3041	CHIP RES.	100	1/16W	5%	RMC1/16 101JATP	J24185101		1-	A	E2
R 3042	CHIP RES.	100	1/16W	5%	RMC1/16 101JATP	J24185101		1-	A	E2
R 3043	CHIP RES.	100	1/16W	5%	RMC1/16 101JATP	J24185101		1-	A	E2
R 3045	CHIP RES.	39k	1/16W	5%	RMC1/16 393JATP	J24185393		1-	A	G2
R 3046	CHIP RES.	3.9k	1/16W	5%	RMC1/16 392JATP	J24185392		1-	A	C2
R 3047	CHIP RES.	100	1/16W	5%	RMC1/16 101JATP	J24185101		1-	A	B2
R 3048	CHIP RES.	470	1/16W	5%	RMC1/16 471JATP	J24185471		1-	A	G2
R 3049	CHIP RES.	47	1/16W	5%	RMC1/16 470JATP	J24185470		1-	A	D2
R 3050	CHIP RES.	100	1/16W	5%	RMC1/16 101JATP	J24185101		1-	A	G2
R 3051	CHIP RES.	0	1/16W	5%	RMC1/16 000JATP	J24185000		1-	A	G2
R 3052	CHIP RES.	100	1/16W	5%	RMC1/16 101JATP	J24185101		1-	A	F2
R 3053	CHIP RES.	1k	1/16W	5%	RMC1/16 102JATP	J24185102		1-	A	F2
R 3054	CHIP RES.	47	1/16W	5%	RMC1/16 470JATP	J24185470		1-	A	F2
R 3055	CHIP RES.	100	1/16W	5%	RMC1/16 101JATP	J24185101		1-	A	D2
R 3056	CHIP RES.	100	1/16W	5%	RMC1/16 101JATP	J24185101		1-	A	D2
R 3057	CHIP RES.	47k	1/16W	5%	RMC1/16 473JATP	J24185473		1-	A	F2
R 3058	CHIP RES.	100	1/16W	5%	RMC1/16 101JATP	J24185101		1-	A	D2
R 3059	CHIP RES.	100	1/16W	5%	RMC1/16 101JATP	J24185101		1-	A	D2
R 3060	CHIP RES.	0	1/16W	5%	RMC1/16 000JATP	J24185000		1-	A	G2
R 3061	CHIP RES.	100	1/16W	5%	RMC1/16 101JATP	J24185101		1-	A	B2
R 3062	CHIP RES.	100	1/16W	5%	RMC1/16 101JATP	J24185101		1-	A	B2
R 3063	CHIP RES.	10	1/16W	5%	RMC1/16 100JATP	J24185100		1-	A	F2
R 3066	CHIP RES.	47	1/16W	5%	RMC1/16 470JATP	J24185470		1-	A	B1
R 3067	CHIP RES.	27	1/16W	5%	RMC1/16 270JATP	J24185270		1-	A	B1
R 3068	CHIP RES.	0	1/16W	5%	RMC1/16 000JATP	J24185000		1-	A	G2
R 3069	CHIP RES.	120	1/16W	5%	RMC1/16 121JATP	J24185121		1-	A	F2
R 3070	CHIP RES.	10	1/16W	5%	RMC1/16 100JATP	J24185100		1-	A	F2
R 3071	CHIP RES.	3.9k	1/16W	5%	RMC1/16 392JATP	J24185392		1-	A	B2
R 3072	CHIP RES.	100	1/16W	5%	RMC1/16 101JATP	J24185101		1-	A	D2
R 3073	CHIP RES.	100	1/16W	5%	RMC1/16 101JATP	J24185101		1-	A	D2
R 3074	CHIP RES.	100	1/16W	5%	RMC1/16 101JATP	J24185101		1-	A	A2
R 3075	CHIP RES.	1k	1/16W	5%	RMC1/16 102JATP	J24185102		1-	A	B1
R 3076	CHIP RES.	1k	1/16W	5%	RMC1/16 102JATP	J24185102		1-	A	B2
R 3077	CHIP RES.	0	1/16W	5%	RMC1/16 000JATP	J24185000		1-	A	B2
R 3078	CHIP RES.	470	1/16W	5%	RMC1/16 471JATP	J24185471		1-	A	D2
R 3079	CHIP RES.	470	1/16W	5%	RMC1/16 471JATP	J24185471		1-	A	D2
R 3080	CHIP RES.	470	1/16W	5%	RMC1/16 471JATP	J24185471		1-	A	A2
R 3081	CHIP RES.	33k	1/16W	5%	RMC1/16 333JATP	J24185333		1-	A	D2
R 3082	CHIP RES.	33k	1/16W	5%	RMC1/16 333JATP	J24185333		1-	A	E2
R 3083	CHIP RES.	33k	1/16W	5%	RMC1/16 333JATP	J24185333		1-	A	A2
R 3084	CHIP RES.	470	1/16W	5%	RMC1/16 471JATP	J24185471		1-	A	F2
R 3085	CHIP RES.	100	1/16W	5%	RMC1/16 101JATP	J24185101		1-	A	B2
R 3086	CHIP RES.	470	1/16W	5%	RMC1/16 471JATP	J24185471		1-	A	B2
R 3087	CHIP RES.	33k	1/16W	5%	RMC1/16 333JATP	J24185333		1-	A	F2
R 3088	CHIP RES.	33k	1/16W	5%	RMC1/16 333JATP	J24185333		1-	A	B2
R 3089	CHIP RES.	0	1/16W	5%	RMC1/16 000JATP	J24185000		1-	A	F2
R 3091	CHIP RES.	47	1/16W	5%	RMC1/16 470JATP	J24185470		1-	A	F2
R 3092	CHIP RES.	47k	1/16W	5%	RMC1/16 473JATP	J24185473		1-	A	F2
R 3093	CHIP RES.	1k	1/16W	5%	RMC1/16 102JATP	J24185102		1-	A	F1

# LOCAL Unit

## Parts List

REF	DESCRIPTION	VALUE	V/W	TOL.	MFR'S DESIG	VXSTD P/N	VERS.	LOT	SIDE	LAY ADR
R 3094	CHIP RES.	47	1/16W	5%	RMC1/16 470JATP	J24185470		1-	A	F2
R 3095	CHIP RES.	100	1/16W	5%	RMC1/16 101JATP	J24185101		1-	A	F1
R 3096	CHIP RES.	470	1/16W	5%	RMC1/16 471JATP	J24185471		1-	A	B3
R 3097	CHIP RES.	100	1/16W	5%	RMC1/16 101JATP	J24185101		1-	A	C2
R 3098	CHIP RES.	47	1/16W	5%	RMC1/16 470JATP	J24185470		1-	A	E1
R 3099	CHIP RES.	1k	1/16W	5%	RMC1/16 102JATP	J24185102		1-	A	E1
R 3100	CHIP RES.	3.9k	1/16W	5%	RMC1/16 392JATP	J24185392		1-	A	E1
R 3101	CHIP RES.	33k	1/16W	5%	RMC1/16 333JATP	J24185333		1-	A	B3
R 3102	CHIP RES.	0	1/16W	5%	RMC1/16 000JATP	J24185000		1-	A	A1
R 3103	CHIP RES.	0	1/16W	5%	RMC1/16 000JATP	J24185000		1-	A	C2
R 3104	CHIP RES.	10k	1/16W	5%	RMC1/16 103JATP	J24185103		1-	A	B1
R 3105	CHIP RES.	4.7k	1/16W	5%	RMC1/16 472JATP	J24185472		1-	A	B1
R 3106	CHIP RES.	100k	1/16W	5%	RMC1/16 104JATP	J24185104		1-	A	A1
R 3107	CHIP RES.	470	1/16W	5%	RMC1/16 471JATP	J24185471		1-	A	B1
R 3108	CHIP RES.	47	1/16W	5%	RMC1/16 470JATP	J24185470		1-	A	E1
R 3109	CHIP RES.	1.5k	1/16W	5%	RMC1/16 152JATP	J24185152		1-	A	A1
R 3110	CHIP RES.	33k	1/16W	5%	RMC1/16 333JATP	J24185333		1-	A	C2
R 3111	CHIP RES.	100k	1/16W	5%	RMC1/16 104JATP	J24185104		1-	A	D1
R 3112	CHIP RES.	1k	1/16W	5%	RMC1/16 102JATP	J24185102		1-	A	A1
R 3113	CHIP RES.	100	1/16W	5%	RMC1/16 101JATP	J24185101		1-	A	B1
R 3114	CHIP RES.	470	1/16W	5%	RMC1/16 471JATP	J24185471		1-	A	C2
R 3115	CHIP RES.	2.2k	1/16W	5%	RMC1/16 222JATP	J24185222		1-	A	C1
R 3116	CHIP RES.	100	1/16W	5%	RMC1/16 101JATP	J24185101		1-	A	A1
R 3117	CHIP RES.	330	1/16W	5%	RMC1/16 331JATP	J24185331		1-	A	C2
R 3118	CHIP RES.	1k	1/16W	5%	RMC1/16 102JATP	J24185102		1-	A	D1
R 3119	CHIP RES.	100	1/16W	5%	RMC1/16 101JATP	J24185101		1-	A	B2
R 3120	CHIP RES.	47	1/16W	5%	RMC1/16 470JATP	J24185470		1-	A	C2
R 3121	CHIP RES.	100	1/16W	5%	RMC1/16 101JATP	J24185101		1-	A	C1
R 3122	CHIP RES.	1k	1/16W	5%	RMC1/16 102JATP	J24185102		1	A	E2
R 3122	CHIP RES.	10k	1/16W	5%	RMC1/16 103JATP	J24185103		2-	A	E2
R 3123	CHIP RES.	4.7	1/16W	5%	RMC1/16 4R7JATP	J24185479		1-	A	F1
R 3124	CHIP RES.	150	1/16W	5%	RMC1/16 151JATP	J24185151		1-	A	B3
R 3126	CHIP RES.	100k	1/16W	5%	RMC1/16 104JATP	J24185104		1-	A	B1
R 3127	CHIP RES.	1k	1/16W	5%	RMC1/16 102JATP	J24185102		1-	A	B3
R 3128	CHIP RES.	10k	1/16W	5%	RMC1/16 103JATP	J24185103		1-	A	E2
R 3129	CHIP RES.	2.7k	1/16W	5%	RMC1/16 272JATP	J24185272		1-	A	B3
R 3130	CHIP RES.	10k	1/16W	5%	RMC1/16 103JATP	J24185103		1-	A	E2
R 3131	CHIP RES.	2.2k	1/16W	5%	RMC1/16 222JATP	J24185222		1-	A	B1
R 3132	CHIP RES.	10k	1/16W	5%	RMC1/16 103JATP	J24185103		1-	A	E2
R 3133	CHIP RES.	6.8k	1/16W	5%	RMC1/16 682JATP	J24185682		1-	A	E2
R 3134	CHIP RES.	6.8k	1/16W	5%	RMC1/16 682JATP	J24185682		1-	A	E2
R 3135	CHIP RES.	6.8k	1/16W	5%	RMC1/16 682JATP	J24185682		1-	A	E2
R 3136	CHIP RES.	1k	1/16W	5%	RMC1/16 102JATP	J24185102		1-	A	B1
R 3137	CHIP RES.	100	1/16W	5%	RMC1/16 101JATP	J24185101		1-	A	B2
R 3138	CHIP RES.	100	1/16W	5%	RMC1/16 101JATP	J24185101		1-	A	B1
R 3139	CHIP RES.	470	1/16W	5%	RMC1/16 471JATP	J24185471		1-	A	B3
R 3140	CHIP RES.	47	1/16W	5%	RMC1/16 470JATP	J24185470		1-	A	F2
R 3141	CHIP RES.	0	1/16W	5%	RMC1/16 000JATP	J24185000		1-	A	C3
R 3142	CHIP RES.	2.2k	1/16W	5%	RMC1/16 222JATP	J24185222		1-	A	B2
R 3143	CHIP RES.	47k	1/16W	5%	RMC1/16 473JATP	J24185473		1-	A	F2
R 3144	CHIP RES.	0	1/16W	5%	RMC1/16 000JATP	J24185000		1-	A	A1
R 3145	CHIP RES.	100k	1/16W	5%	RMC1/16 104JATP	J24185104		1-	A	B2
R 3146	CHIP RES.	100	1/16W	5%	RMC1/16 101JATP	J24185101		1-	A	F1
R 3147	CHIP RES.	1k	1/16W	5%	RMC1/16 102JATP	J24185102		1-	A	F2
R 3148	CHIP RES.	47	1/16W	5%	RMC1/16 470JATP	J24185470		1-	A	F2
R 3149	CHIP RES.	18k	1/16W	5%	RMC1/16 183JATP	J24185183		1-	A	C3
R 3150	CHIP RES.	100k	1/16W	5%	RMC1/16 104JATP	J24185104		1-	A	D1
R 3151	CHIP RES.	10k	1/16W	5%	RMC1/16 103JATP	J24185103		1-	A	B1
R 3152	CHIP RES.	4.7k	1/16W	5%	RMC1/16 472JATP	J24185472		1-	A	B1
R 3153	CHIP RES.	100k	1/16W	5%	RMC1/16 104JATP	J24185104		1-	A	A1
R 3154	CHIP RES.	47	1/16W	5%	RMC1/16 470JATP	J24185470		1-	A	H2
R 3155	CHIP RES.	220	1/16W	5%	RMC1/16 221JATP	J24185221		1-	A	C3
R 3156	CHIP RES.	2.2k	1/16W	5%	RMC1/16 222JATP	J24185222		1-	A	D1
R 3157	CHIP RES.	10k	1/16W	5%	RMC1/16 103JATP	J24185103		1-	A	A3
R 3158	CHIP RES.	10k	1/16W	5%	RMC1/16 103JATP	J24185103		1-	A	B3
R 3159	CHIP RES.	1k	1/16W	5%	RMC1/16 102JATP	J24185102		1-	A	A2
R 3160	CHIP RES.	470	1/16W	5%	RMC1/16 471JATP	J24185471		1-	A	C1
R 3161	CHIP RES.	1k	1/16W	5%	RMC1/16 102JATP	J24185102		1-	A	G2
R 3162	CHIP RES.	3.9k	1/16W	5%	RMC1/16 392JATP	J24185392		1-	A	G2
R 3163	CHIP RES.	1.5k	1/16W	5%	RMC1/16 152JATP	J24185152		1-	A	A1
R 3164	CHIP RES.	180	1/16W	5%	RMC1/16 181JATP	J24185181		1-	A	C3
R 3165	CHIP RES.	1k	1/16W	5%	RMC1/16 102JATP	J24185102		1-	A	D1
R 3166	CHIP RES.	1k	1/16W	5%	RMC1/16 102JATP	J24185102		1-	A	A1

# LOCAL Unit

## Parts List

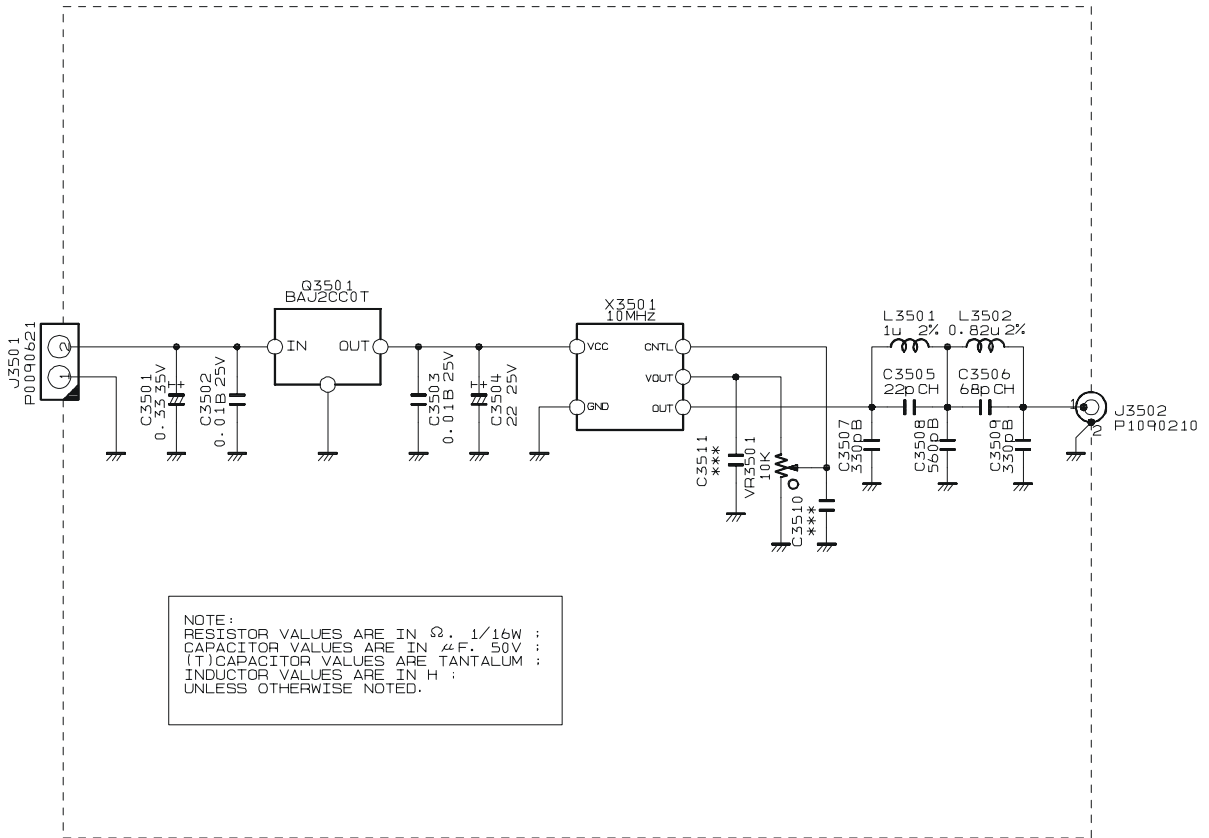
REF	DESCRIPTION	VALUE	V/W	TOL.	MFR'S DESIG	VXSTD P/N	VERS.	LOT	SIDE	LAY ADR
R 3167	CHIP RES.	47	1/16W	5%	RMC1/16 470JATP	J24185470		1-	A	C3
R 3168	CHIP RES.	100	1/16W	5%	RMC1/16 101JATP	J24185101		1-	A	D1
R 3169	CHIP RES.	100	1/16W	5%	RMC1/16 101JATP	J24185101		1-	A	B1
R 3170	CHIP RES.	100	1/16W	5%	RMC1/16 101JATP	J24185101		1-	A	A1
R 3171	CHIP RES.	1k	1/16W	5%	RMC1/16 102JATP	J24185102		1-	A	A2
R 3172	CHIP RES.	1k	1/16W	5%	RMC1/16 102JATP	J24185102		1-	A	A3
R 3173	CHIP RES.	47	1/16W	5%	RMC1/16 470JATP	J24185470		1-	A	G2
R 3174	CHIP RES.	100k	1/16W	5%	RMC1/16 104JATP	J24185104		1-	A	C1
R 3175	CHIP RES.	1k	1/16W	5%	RMC1/16 102JATP	J24185102		1	A	G1
R 3175	CHIP RES.	10k	1/16W	5%	RMC1/16 103JATP	J24185103		2-	A	G1
R 3176	CHIP RES.	4.7	1/16W	5%	RMC1/16 4R7JATP	J24185479		1-	A	G2
R 3177	CHIP RES.	2.2k	1/16W	5%	RMC1/16 222JATP	J24185222		1-	A	C1
R 3178	CHIP RES.	1k	1/16W	5%	RMC1/16 102JATP	J24185102		1-	A	C1
R 3179	CHIP RES.	100	1/16W	5%	RMC1/16 101JATP	J24185101		1-	A	C1
R 3181	CHIP RES.	10k	1/16W	5%	RMC1/16 103JATP	J24185103		1-	A	G1
R 3182	CHIP RES.	10k	1/16W	5%	RMC1/16 103JATP	J24185103		1-	A	G1
R 3183	CHIP RES.	10k	1/16W	5%	RMC1/16 103JATP	J24185103		1-	A	G1
R 3184	CHIP RES.	6.8k	1/16W	5%	RMC1/16 682JATP	J24185682		1-	A	G1
R 3185	CHIP RES.	6.8k	1/16W	5%	RMC1/16 682JATP	J24185682		1-	A	G1
R 3186	CHIP RES.	6.8k	1/16W	5%	RMC1/16 682JATP	J24185682		1-	A	G1
R 3187	CHIP RES.	0	1/16W	5%	RMC1/16 000JATP	J24185000		1-	A	D3
R 3188	CHIP RES.	15	1/16W	5%	RMC1/16 150JATP	J24185150		1-	A	D1
R 3189	CHIP RES.	15	1/16W	5%	RMC1/16 150JATP	J24185150		1-	A	D3
R 3190	CHIP RES.	15	1/16W	5%	RMC1/16 150JATP	J24185150		1-	A	D3
R 3191	CHIP RES.	15	1/16W	5%	RMC1/16 150JATP	J24185150		1	A	E1
R 3191	CHIP RES.	15	1/16W	5%	RMC1/16 150JATP	J24185150		2-	A	E1
R 3192	CHIP RES.	15	1/16W	5%	RMC1/16 150JATP	J24185150		1-	A	D1
R 3197	CHIP RES.	0	1/16W	5%	RMC1/16 000JATP	J24185000		1-	A	D3
R 3198	CHIP RES.	0	1/16W	5%	RMC1/16 000JATP	J24185000		1-	A	D3
R 3199	CHIP RES.	0	1/16W	5%	RMC1/16 000JATP	J24185000		1-	A	E1
R 3200	CHIP RES.	0	1/16W	5%	RMC1/16 000JATP	J24185000		1-	A	D1
R 3205	CHIP RES.	100	1/16W	5%	RMC1/16 101JATP	J24185101		1-	A	H2
R 3206	CHIP RES.	10k	1/16W	5%	RMC1/16 103JATP	J24185103		1-	A	E2
R 3207	CHIP RES.	0	1/16W	5%	RMC1/16 000JATP	J24185000		2-	A	D1
R 3208	CHIP RES.	0	1/16W	5%	RMC1/16 000JATP	J24185000		2-	A	D1
R 3209	CHIP RES.	47	1/16W	5%	RMC1/16 470JATP	J24185470		1-	A	E1
R 3210	CHIP RES.	47	1/16W	5%	RMC1/16 470JATP	J24185470		1-	A	E1
R 3211	CHIP RES.	47	1/16W	5%	RMC1/16 470JATP	J24185470		1-	A	G2
R 3212	CHIP RES.	47	1/16W	5%	RMC1/16 470JATP	J24185470		1-	A	G2
R 3213	CHIP RES.	100	1/16W	5%	RMC1/16 101JATP	J24185101		1-	A	A2
R 3214	CHIP RES.	68	1/16W	5%	RMC1/16 680JATP	J24185680		1-	A	A2
R 3215	CHIP RES.	100	1/16W	5%	RMC1/16 101JATP	J24185101		1-	A	A2
R 3216	CHIP RES.	270	1/16W	5%	RMC1/16 271JATP	J24185271		1-	A	F1
R 3217	CHIP RES.	18	1/16W	5%	RMC1/16 180JATP	J24185180		1-	A	F1
R 3218	CHIP RES.	270	1/16W	5%	RMC1/16 271JATP	J24185271		1-	A	F1
R 3219	CHIP RES.	270	1/16W	5%	RMC1/16 271JATP	J24185271		1-	A	D3
R 3220	CHIP RES.	18	1/16W	5%	RMC1/16 180JATP	J24185180		1-	A	D3
R 3221	CHIP RES.	270	1/16W	5%	RMC1/16 271JATP	J24185271		1-	A	D3
R 3222	CHIP RES.	150	1/16W	5%	RMC1/16 151JATP	J24185151		1-	A	C1
R 3223	CHIP RES.	39	1/16W	5%	RMC1/16 390JATP	J24185390		1	A	D1
R 3223	CHIP RES.	39	1/16W	5%	RMC1/16 390JATP	J24185390		2-	A	D1
R 3224	CHIP RES.	150	1/16W	5%	RMC1/16 151JATP	J24185151		1-	A	C1
R 3225	CHIP RES.	0	1/16W	5%	RMC1/16 000JATP	J24185000		4-	A	E2
R 3226	CHIP RES.	0	1/16W	5%	RMC1/16 000JATP	J24185000		4-	A	G1
R 3227	CHIP RES.	0	1/16W	5%	RMC1/16 000JATP	J24185000		4-	A	E2
R 3228	CHIP RES.	0	1/16W	5%	RMC1/16 000JATP	J24185000		4-	A	G1
R 3231	CHIP RES.	10k	1/16W	5%	RMC1/16 103JATP	J24185103		4-	A	G1
R 3232	CHIP RES.	10k	1/16W	5%	RMC1/16 103JATP	J24185103		4-	A	E2
T 3001	COIL 05RF				R12-S972B	L0022495		1-	A	A1
T 3002	COIL 05RF				R12-S972B	L0022495		1-	A	C1
T 3003	COIL 05RF				R12-S972B	L0022495		1-	A	B1
T 3004	BALUN TRANSFOMERS				040812478	L0190268		1-	A	E1
T 3005	BALUN TRANSFOMERS				B5F458DB-1011=P3	L0190246		1-	A	F1
T 3006	COIL 05RF				74.62M 010812302	L0022781		1-	A	B2
T 3007	COIL 05RF				74.62M 010812302	L0022781		1-	A	B1
T 3008	COIL 05RF				74.62M 010812302	L0022781		1-	A	B2
T 3009	COIL 05RF				74.62M 010812302	L0022781		1-	A	B1
T 3010	BALUN TRANSFOMERS				040812478	L0190268		1-	A	G2
T 3011	COIL 05RF				74.62M 010812302	L0022781		1-	A	C1
T 3012	BALUN TRANSFOMERS				B5F458DB-1011=P3	L0190246		1-	A	F2
T 3013	COIL 05RF				74.62M 010812302	L0022781		1-	A	C1
T 3014	COIL 10WIDE				9-1 2001F	L0021605		1-	A	G3
T 3015	COIL 10WIDE				3A 9X5X5	L0021959		1-	A	H2

# LOCAL Unit

## Parts List

REF	DESCRIPTION	VALUE	V/W	TOL.	MFR'S DESIG	VXSTD P/N	VERS.	LOT	SIDE	LAY ADR
TC3001	TRIMMER CAP.	10pF			ECR-JA010A11X	K91000227		1-	A	G3
	SHIELD CASE					RA0659500		1-		
	SHIELD CASE					RA0679800		1-		

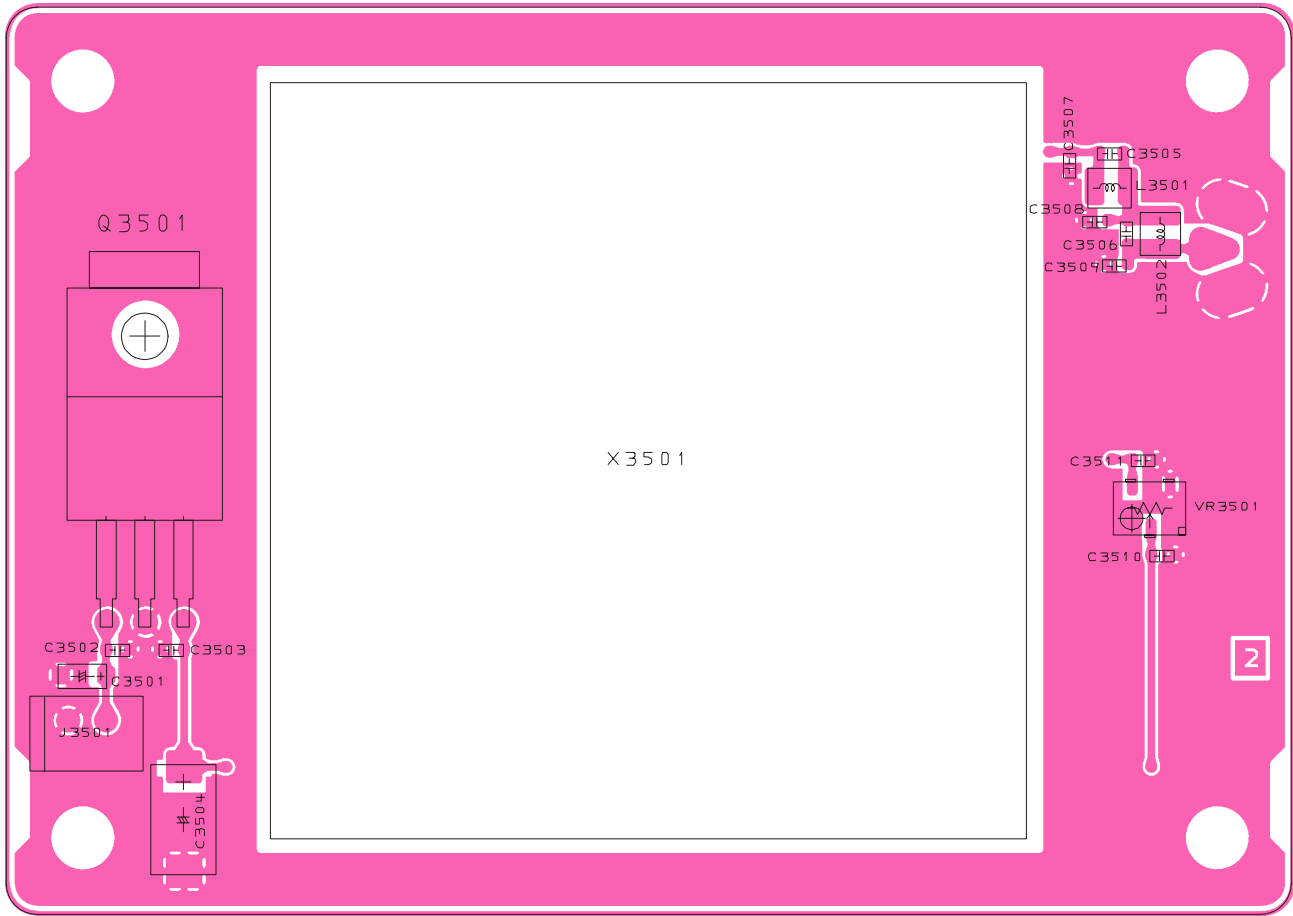
# REF Unit Circuit Diagram



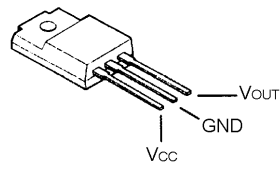
NOTE:  
 RESISTOR VALUES ARE IN  $\Omega$ . 1/16W :  
 CAPACITOR VALUES ARE IN  $\mu$ F. 50V :  
 (T)CAPACITOR VALUES ARE TANTALUM :  
 INDUCTOR VALUES ARE IN H :  
 UNLESS OTHERWISE NOTED.

# REF Unit

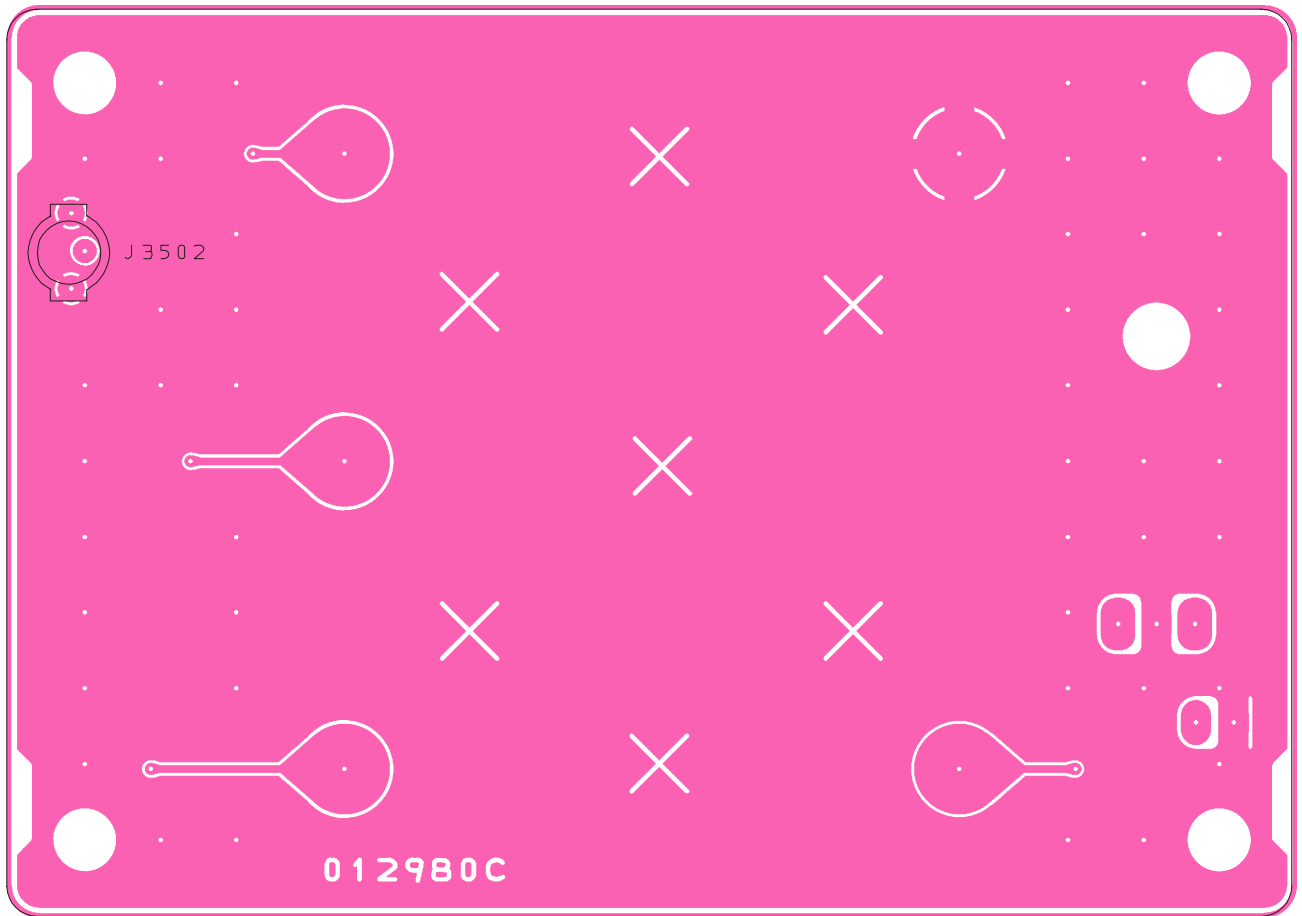
## Parts Layout



Side A



BAJ2CC0T  
(Q3501)



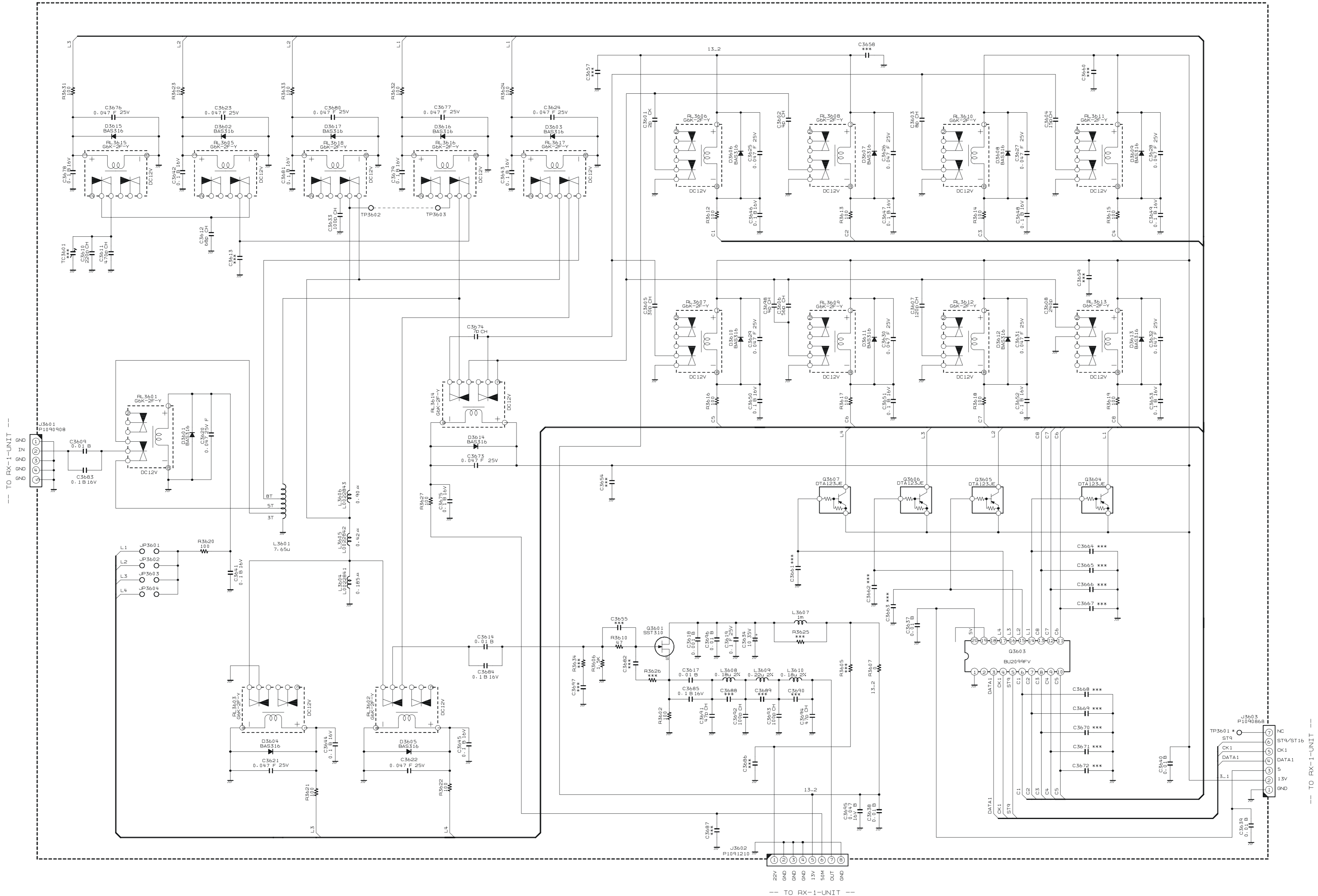
Side B

# REF Unit

## Parts List

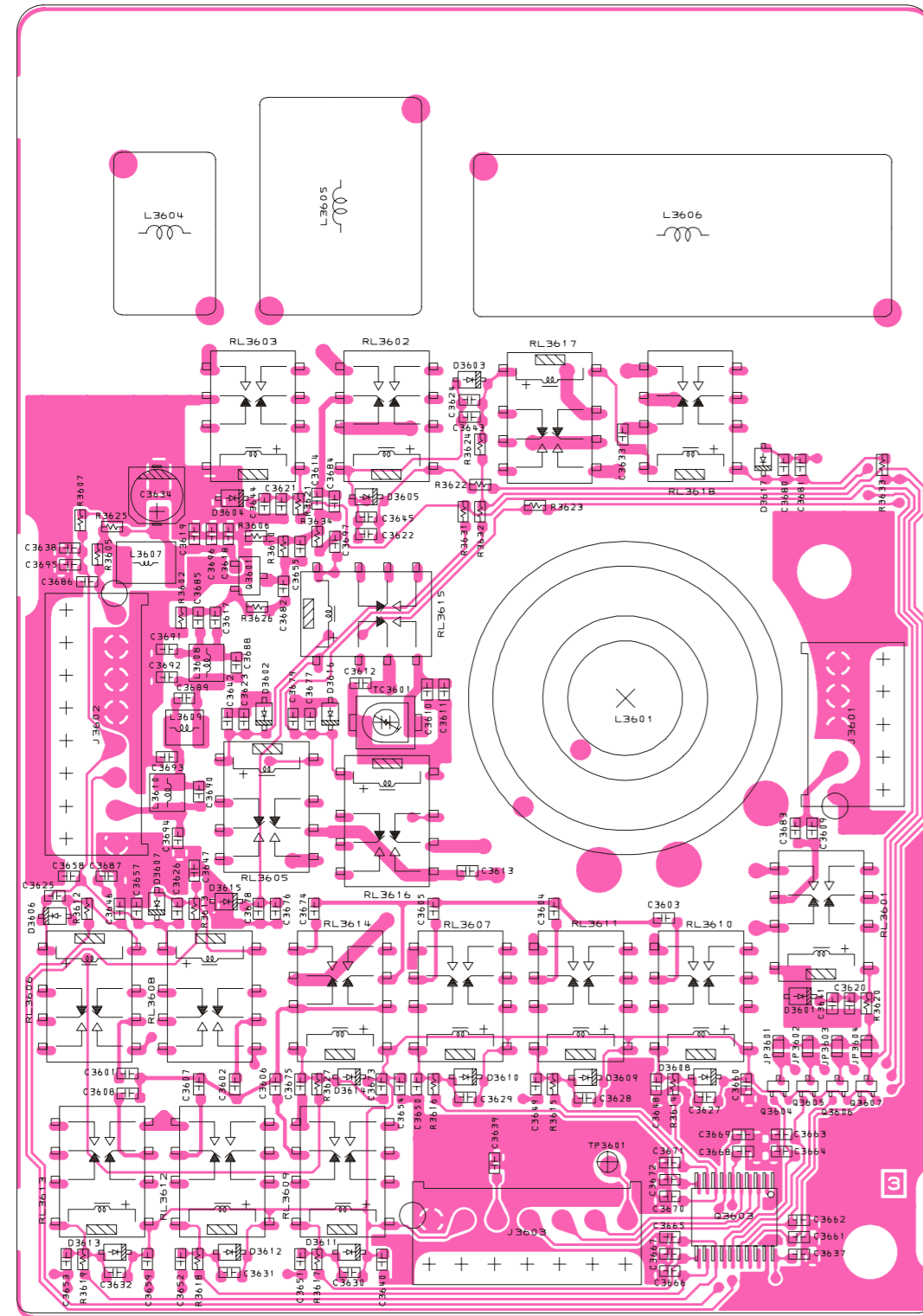
REF	DESCRIPTION	VALUE	V/W	TOL.	MFR'S DESIG	VXSTD P/N	VERS.	LOT	SIDE	LAY ADR
PCB with Components						CB3075001				
Printed Circuit Board						FR0129800		1-		
C 3501	CHIP TA.CAP.	0.33uF	35V		TESVA1V334M1-8R	K78160028		1-	A	
C 3502	CHIP CAP.	0.01uF	25V	B	GRM39B103M25PT	K22144802		1-	A	
C 3503	CHIP CAP.	0.01uF	25V	B	GRM39B103M25PT	K22144802		1-	A	
C 3504	CHIP TA.CAP.	22uF	25V		TEMSVD1E226M12R	K78140022		1-	A	
C 3505	CHIP CAP.	22pF	50V	CH	GRM1882C1H220JA01D	K22174219		1-	A	
C 3506	CHIP CAP.	68pF	50V	CH	GRM1882C1H680JA01D	K22174231		1-	A	
C 3507	CHIP CAP.	330pF	50V	B	GRM188B11H331KD01D	K22174803		1-	A	
C 3508	CHIP CAP.	560pF	50V	B	GRM188B11H561KA01D	K22174806		1-	A	
C 3509	CHIP CAP.	330pF	50V	B	GRM188B11H331KD01D	K22174803		1-	A	
J 3501	CONNECTOR				SC25-02WS	P0090621		1-	A	
J 3502	CONNECTOR				TMP-J01X-V6	P1090210		1-	B	
L 3501	CHIP COIL	1uH		2%	C2520C-1R0G	L1691309		1-	A	
L 3502	CHIP COIL	0.82uH		2%	C2520C-R82G	L1691307		1-	A	
Q 3501	IC				BAJ2CC0T	G1094173		1-	A	
VR3501	POT.	10k			PVG5A103A01R00	J51832103		1-	A	
X 3501	OCXO	10MHz			BALGGW 10MHz	H9500870		1-	A	



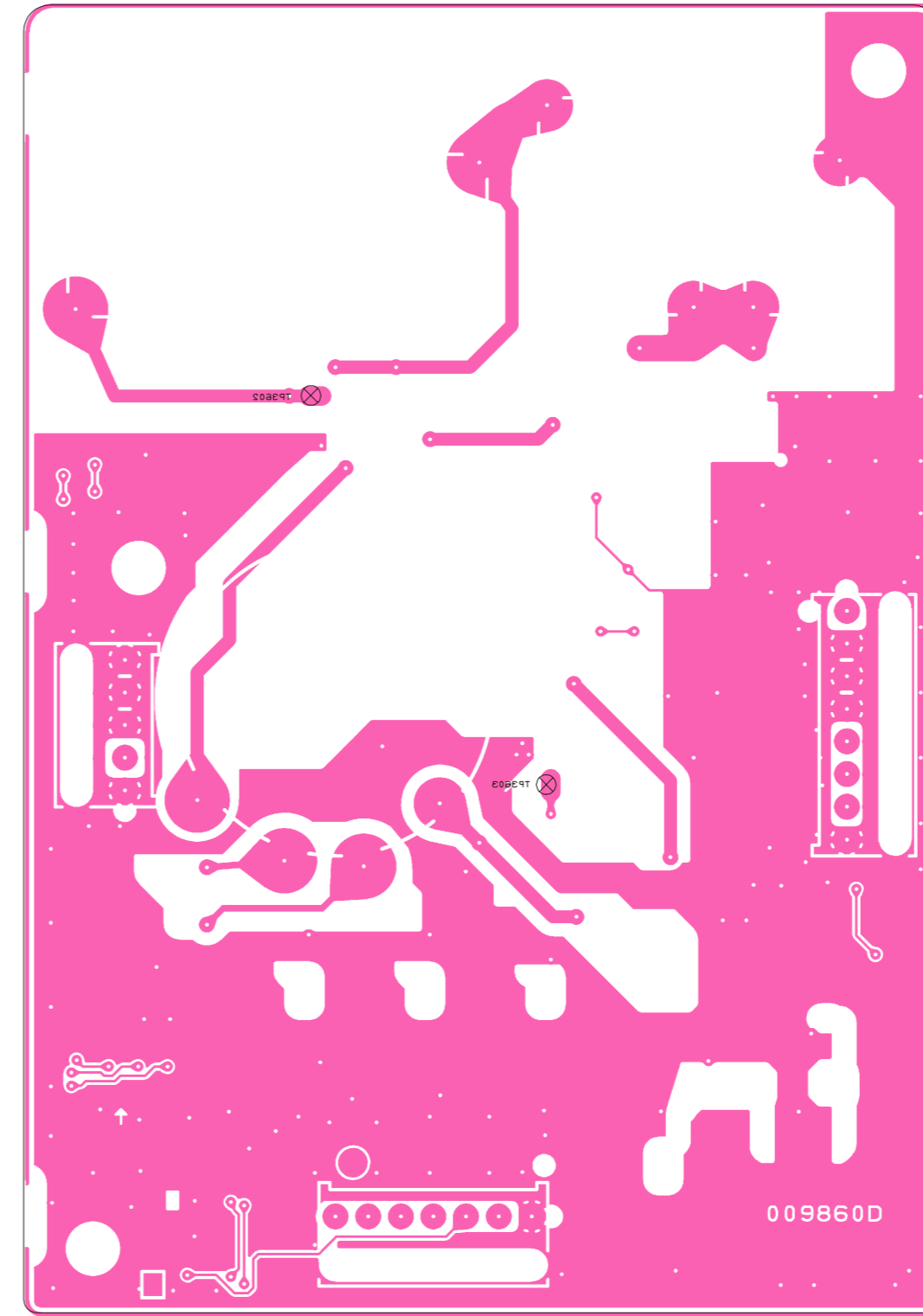


# VRF-1 Unit

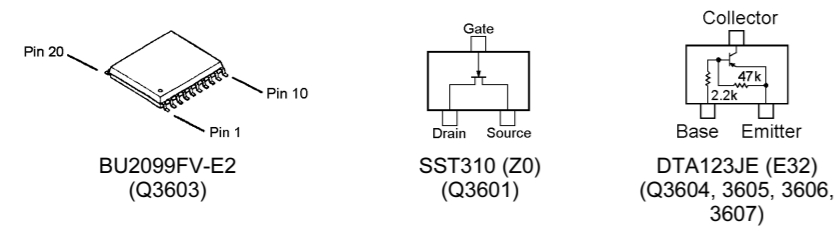
## Parts Layout



Side A



Side B



# VRF-1 Unit

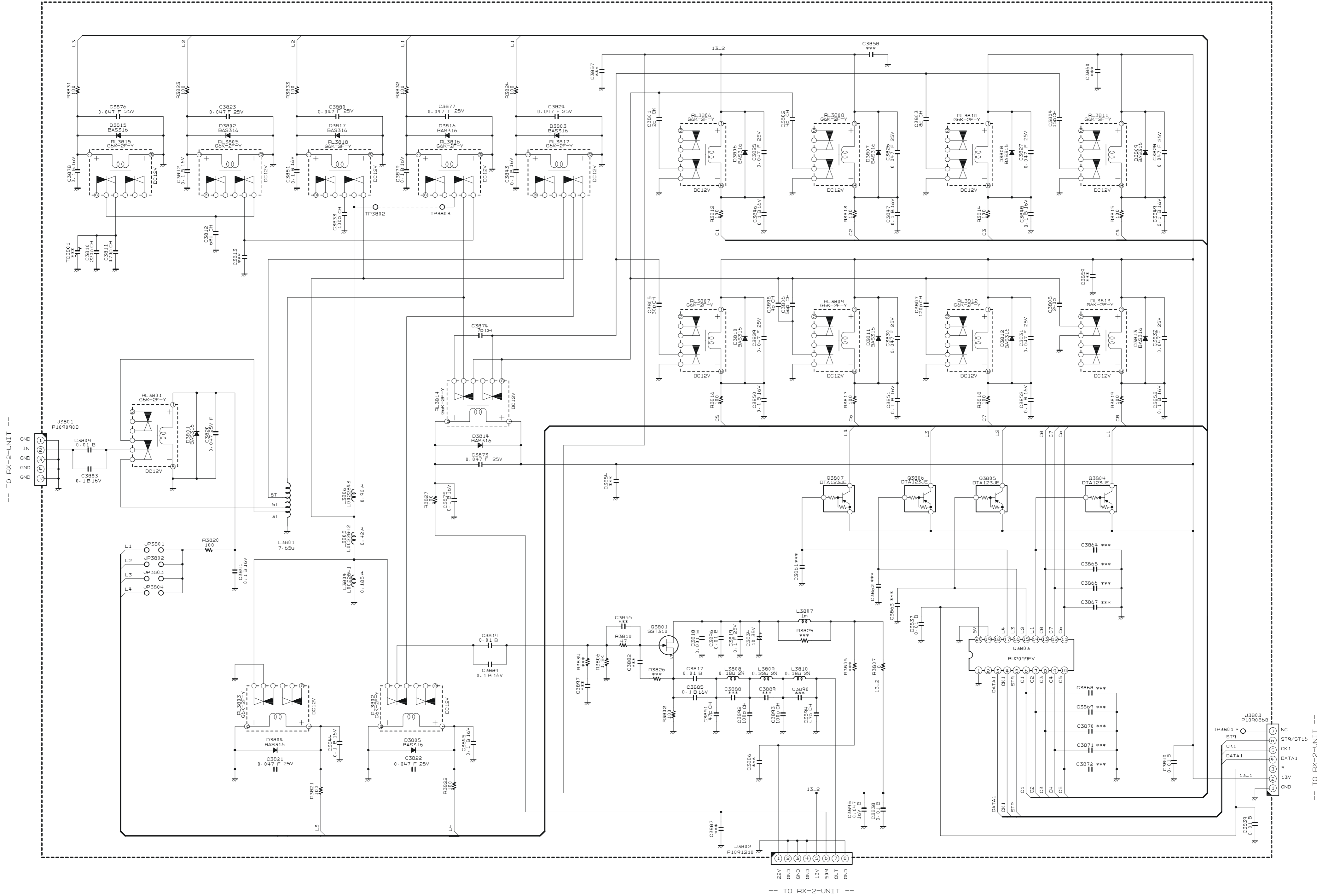
## Parts List

REF	DESCRIPTION	VALUE	V/W	TOL.	MFR'S DESIG	VXSTD P/N	VERS.	LOT	SIDE	LAY ADR
PCB with Components						CB2195001				
Printed Circuit Board						FR009860D		1-		
C 3601	CHIP CAP.	2pF	50V	CK	GRM1884C1H2R0CZ01D	K22174203		1-	A	A2
C 3602	CHIP CAP.	4pF	50V	CH	GRM1882C1H4R0CZ01D	K22174205		1-	A	A2
C 3603	CHIP CAP.	8pF	50V	CH	GRM1882C1H8R0DZ01D	K22174209		1-	A	B2
C 3604	CHIP CAP.	15pF	50V	CH	GRM1882C1H150JA01D	K22174215		1-	A	B2
C 3605	CHIP CAP.	30pF	50V	CH	GRM1882C1H300JZ01D	K22174222		1-	A	B2
C 3606	CHIP CAP.	56pF	50V	CH	GRM1882C1H560JA01D	K22174229		1-	A	A2
C 3607	CHIP CAP.	120pF	50V	CH	GRM1882C1H121JA01D	K22174237		1-	A	A2
C 3608	CHIP CAP.	220pF	50V	CH	GRM1882C1H221JA01D	K22174243		1	A	A2
C 3608	CHIP CAP.	240pF			MCH185A241JK	K22174270		2-	A	A2
C 3609	CHIP CAP.	0.01uF	50V	B	GRM188B11H103KA01D	K22174823		1-	A	C2
C 3610	CHIP CAP.	220pF	50V	CH	GRM1882C1H221JA01D	K22174243		1-	A	B1
C 3611	CHIP CAP.	470pF	50V	CH	GRM1882C1H471JA01D	K22174249		1-	A	B1
C 3612	CHIP CAP.	68pF	50V	CH	GRM1882C1H680JA01D	K22174231		1-	A	A1
C 3614	CHIP CAP.	0.01uF	50V	B	GRM188B11H103KA01D	K22174823		1-	A	A1
C 3617	CHIP CAP.	0.01uF	50V	B	GRM188B11H103KA01D	K22174823		1-	A	A1
C 3618	CHIP CAP.	0.001uF	50V	B	GRM188B11H102KA01D	K22174821		1-	A	A1
C 3619	CHIP CAP.	0.1uF	25V	F	GRM39F104Z25PT	K22145001		1-	A	A1
C 3620	CHIP CAP.	0.047uF	25V	F	GRM39F473Z25PT	K22145002		1-	A	C2
C 3621	CHIP CAP.	0.047uF	25V	F	GRM39F473Z25PT	K22145002		1-	A	A1
C 3622	CHIP CAP.	0.047uF	25V	F	GRM39F473Z25PT	K22145002		1-	A	A1
C 3623	CHIP CAP.	0.047uF	25V	F	GRM39F473Z25PT	K22145002		1-	A	A1
C 3624	CHIP CAP.	0.047uF	25V	F	GRM39F473Z25PT	K22145002		1-	A	B1
C 3625	CHIP CAP.	0.047uF	25V	F	GRM39F473Z25PT	K22145002		1-	A	A2
C 3626	CHIP CAP.	0.047uF	25V	F	GRM39F473Z25PT	K22145002		1-	A	A2
C 3627	CHIP CAP.	0.047uF	25V	F	GRM39F473Z25PT	K22145002		1-	A	B2
C 3628	CHIP CAP.	0.047uF	25V	F	GRM39F473Z25PT	K22145002		1-	A	B2
C 3629	CHIP CAP.	0.047uF	25V	F	GRM39F473Z25PT	K22145002		1-	A	B2
C 3630	CHIP CAP.	0.047uF	25V	F	GRM39F473Z25PT	K22145002		1-	A	A3
C 3631	CHIP CAP.	0.047uF	25V	F	GRM39F473Z25PT	K22145002		1-	A	A3
C 3632	CHIP CAP.	0.047uF	25V	F	GRM39F473Z25PT	K22145002		1-	A	A3
C 3633	CHIP CAP.	100pF	50V	CH	GRM1882C1H101JA01D	K22174235		1-	A	B1
C 3634	AL.ELECTRO.CAP.	10uF	35V		ECEV1VA100WR	K48160004		1-	A	A1
C 3637	CHIP CAP.	0.01uF	50V	B	GRM188B11H103KA01D	K22174823		1-	A	B3
C 3638	CHIP CAP.	0.01uF	50V	B	GRM188B11H103KA01D	K22174823		1-	A	A1
C 3639	CHIP CAP.	0.01uF	50V	B	GRM188B11H103KA01D	K22174823		1-	A	B2
C 3640	CHIP CAP.	0.01uF	50V	B	GRM188B11H103KA01D	K22174823		1-	A	A3
C 3641	CHIP CAP.	0.1uF	16V	B	GRM188B11C104KA01D	K22124805		1-	A	C2
C 3642	CHIP CAP.	0.1uF	16V	B	GRM188B11C104KA01D	K22124805		1-	A	A1
C 3643	CHIP CAP.	0.1uF	16V	B	GRM188B11C104KA01D	K22124805		1-	A	B1
C 3644	CHIP CAP.	0.1uF	16V	B	GRM188B11C104KA01D	K22124805		1-	A	A1
C 3645	CHIP CAP.	0.1uF	16V	B	GRM188B11C104KA01D	K22124805		1-	A	A1
C 3646	CHIP CAP.	0.1uF	16V	B	GRM188B11C104KA01D	K22124805		1-	A	A2
C 3647	CHIP CAP.	0.1uF	16V	B	GRM188B11C104KA01D	K22124805		1-	A	A2
C 3648	CHIP CAP.	0.1uF	16V	B	GRM188B11C104KA01D	K22124805		1-	A	B2
C 3649	CHIP CAP.	0.1uF	16V	B	GRM188B11C104KA01D	K22124805		1-	A	B2
C 3650	CHIP CAP.	0.1uF	16V	B	GRM188B11C104KA01D	K22124805		1-	A	B2
C 3651	CHIP CAP.	0.1uF	16V	B	GRM188B11C104KA01D	K22124805		1-	A	A3
C 3652	CHIP CAP.	0.1uF	16V	B	GRM188B11C104KA01D	K22124805		1-	A	A3
C 3653	CHIP CAP.	0.1uF	16V	B	GRM188B11C104KA01D	K22124805		1-	A	A3
C 3673	CHIP CAP.	0.047uF	25V	F	GRM39F473Z25PT	K22145002		1-	A	A2
C 3674	CHIP CAP.	7pF	50V	CH	GRM1882C1H7R0DZ01D	K22174208		1-	A	A2
C 3675	CHIP CAP.	0.1uF	16V	B	GRM188B11C104KA01D	K22124805		1-	A	A2
C 3676	CHIP CAP.	0.047uF	25V	F	GRM39F473Z25PT	K22145002		1-	A	A2
C 3677	CHIP CAP.	0.047uF	25V	F	GRM39F473Z25PT	K22145002		1-	A	A1
C 3678	CHIP CAP.	0.1uF	16V	B	GRM188B11C104KA01D	K22124805		1-	A	A2
C 3679	CHIP CAP.	0.1uF	16V	B	GRM188B11C104KA01D	K22124805		1-	A	A1
C 3680	CHIP CAP.	0.047uF	25V	F	GRM39F473Z25PT	K22145002		1-	A	B1
C 3681	CHIP CAP.	0.1uF	16V	B	GRM188B11C104KA01D	K22124805		1-	A	B1
C 3683	CHIP CAP.	0.1uF	16V	B	GRM188B11C104KA01D	K22124805		1-	A	B2
C 3684	CHIP CAP.	0.1uF	16V	B	GRM188B11C104KA01D	K22124805		1-	A	A1
C 3685	CHIP CAP.	0.1uF	16V	B	GRM188B11C104KA01D	K22124805		1-	A	A1
C 3691	CHIP CAP.	47pF	50V	CH	GRM1882C1H470JA01D	K22174227		1-	A	A1
C 3692	CHIP CAP.	100pF	50V	CH	GRM1882C1H101JA01D	K22174235		1-	A	A1
C 3693	CHIP CAP.	100pF	50V	CH	GRM1882C1H101JA01D	K22174235		1-	A	A1
C 3694	CHIP CAP.	47pF	50V	CH	GRM1882C1H470JA01D	K22174227		1-	A	A2
C 3695	CHIP CAP.	0.047uF	16V	B	GRM39B473K16PT	K22124804		1-	A	A1
C 3696	CHIP CAP.	0.01uF	50V	B	GRM188B11H103KA01D	K22174823		1-	A	A1
C 3698	CHIP CAP.	4pF	50V	CH	GRM1882C1H4R0CZ01D	K22174205		1-		
C 3699	CHIP CAP.	20pF	50V	CH	GRM1882C1H200JZ01D	K22174218		1		
D 3601	DIODE				BAS316	G2070716		1-	A	B2
D 3602	DIODE				BAS316	G2070716		1-	A	A1

# VRF-1 Unit

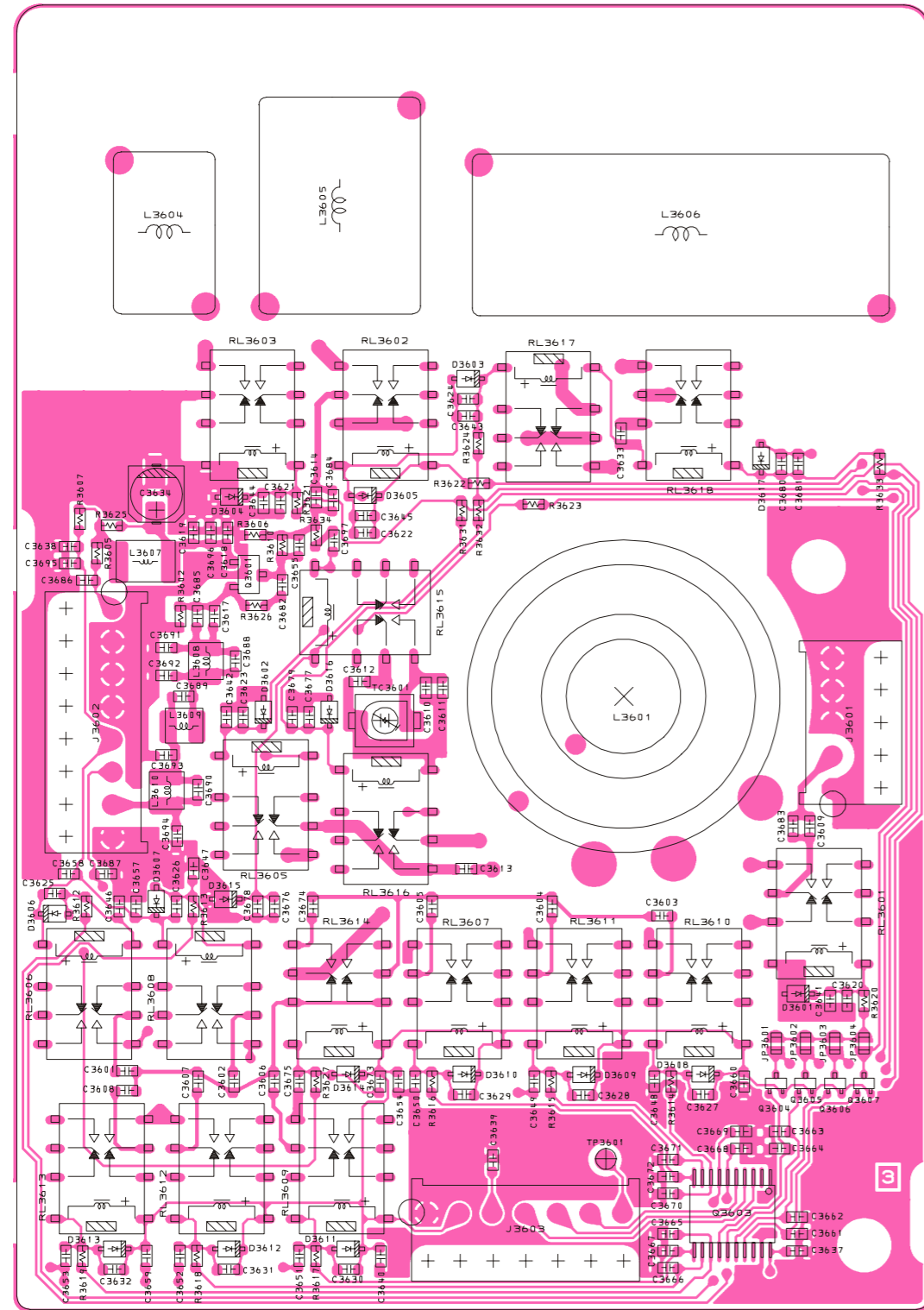
## Parts List

REF	DESCRIPTION	VALUE	V/W	TOL.	MFR'S DESIG	VXSTD P/N	VERS.	LOT	SIDE	LAY ADR
D 3603	DIODE				BAS316	G2070716		1-	A	B1
D 3604	DIODE				BAS316	G2070716		1-	A	A1
D 3605	DIODE				BAS316	G2070716		1-	A	A1
D 3606	DIODE				BAS316	G2070716		1-	A	A2
D 3607	DIODE				BAS316	G2070716		1-	A	A2
D 3608	DIODE				BAS316	G2070716		1-	A	B2
D 3609	DIODE				BAS316	G2070716		1-	A	B2
D 3610	DIODE				BAS316	G2070716		1-	A	B2
D 3611	DIODE				BAS316	G2070716		1-	A	A3
D 3612	DIODE				BAS316	G2070716		1-	A	A3
D 3613	DIODE				BAS316	G2070716		1-	A	A3
D 3614	DIODE				BAS316	G2070716		1-	A	A2
D 3615	DIODE				BAS316	G2070716		1-	A	A2
D 3616	DIODE				BAS316	G2070716		1-	A	A1
D 3617	DIODE				BAS316	G2070716		1-	A	B1
J 3601	CONNECTOR				IMSA-9133S-05D	P1090908		1-	A	C2
J 3602	CONNECTOR				IMSA-9133S-08D	P1091210		1-	A	A1
J 3603	CONNECTOR				IMSA-9133S-07D	P1090868		1-	A	B3
JP3600	WIRE ASSY				GRN 40 2/2	T50504000		1-		
L 3601	TOROIDAL COIL	7.65uH			7.65U T80-2	L0022848A		1-	A	B1
L 3604	COIL A1				3.5T10.0D1.2PEW R	L0022841		1-	A	A1
L 3605	COIL A1				7.5T10.0D1.2PEW R	L0022842		1-	A	A1
L 3606	COIL A1				14.5T10.0D1.2PEW R	L0022843		1-	A	B1
L 3607	CHIP COIL	1mH			LQH43MN102K03L	L1690108		1-	A	A1
L 3608	CHIP COIL	0.18uH		2%	C2520C-R18G	L1691297		1-	A	A1
L 3609	CHIP COIL	0.22uH		2%	C2520C-R22G	L1691298		1-	A	A1
L 3610	CHIP COIL	0.18uH		2%	C2520C-R18G	L1691297		1-	A	A2
Q 3601	FET				SST310-T1	G4070009		1-	A	A1
Q 3603	IC				BU2099FV-E2	G1093243		1-	A	B3
Q 3604	TRANSISTOR				DTA123JE TL	G3070331		1-	A	B2
Q 3605	TRANSISTOR				DTA123JE TL	G3070331		1-	A	C2
Q 3606	TRANSISTOR				DTA123JE TL	G3070331		1-	A	C2
Q 3607	TRANSISTOR				DTA123JE TL	G3070331		1-	A	C2
R 3602	CHIP RES.	100	1/16W	5%	RMC1/16 101JATP	J24185101		1-	A	A1
R 3606	CHIP RES.	1.5k	1/16W	5%	RMC1/16 152JATP	J24185152		1-	A	A1
R 3607	CHIP RES.	0	1/16W	5%	RMC1/16 000JATP	J24185000		1-	A	A1
R 3610	CHIP RES.	0	1/16W	5%	RMC1/16 000JATP	J24185000		1	A	A1
R 3610	CHIP RES.	47	1/16W	5%	RMC1/16 470JATP	J24185470		2-	A	A1
R 3612	CHIP RES.	100	1/16W	5%	RMC1/16 101JATP	J24185101		1-	A	A2
R 3613	CHIP RES.	100	1/16W	5%	RMC1/16 101JATP	J24185101		1-	A	A2
R 3614	CHIP RES.	100	1/16W	5%	RMC1/16 101JATP	J24185101		1-	A	B2
R 3615	CHIP RES.	100	1/16W	5%	RMC1/16 101JATP	J24185101		1-	A	B2
R 3616	CHIP RES.	100	1/16W	5%	RMC1/16 101JATP	J24185101		1-	A	B2
R 3617	CHIP RES.	100	1/16W	5%	RMC1/16 101JATP	J24185101		1-	A	A3
R 3618	CHIP RES.	100	1/16W	5%	RMC1/16 101JATP	J24185101		1-	A	A3
R 3619	CHIP RES.	100	1/16W	5%	RMC1/16 101JATP	J24185101		1-	A	A3
R 3620	CHIP RES.	100	1/16W	5%	RMC1/16 101JATP	J24185101		1-	A	C2
R 3621	CHIP RES.	100	1/16W	5%	RMC1/16 101JATP	J24185101		1-	A	A1
R 3622	CHIP RES.	100	1/16W	5%	RMC1/16 101JATP	J24185101		1-	A	B1
R 3623	CHIP RES.	100	1/16W	5%	RMC1/16 101JATP	J24185101		1-	A	B1
R 3624	CHIP RES.	100	1/16W	5%	RMC1/16 101JATP	J24185101		1-	A	B1
R 3627	CHIP RES.	100	1/16W	5%	RMC1/16 101JATP	J24185101		1-	A	A2
R 3631	CHIP RES.	100	1/16W	5%	RMC1/16 101JATP	J24185101		1-	A	B1
R 3632	CHIP RES.	100	1/16W	5%	RMC1/16 101JATP	J24185101		1-	A	B1
R 3633	CHIP RES.	100	1/16W	5%	RMC1/16 101JATP	J24185101		1-	A	C1
RL3601	RELAY		DC12V		G6K-2F-Y-TR DC12V	M1190183		1-	A	C2
RL3602	RELAY		DC12V		G6K-2F-Y-TR DC12V	M1190183		1-	A	A1
RL3603	RELAY		DC12V		G6K-2F-Y-TR DC12V	M1190183		1-	A	A1
RL3605	RELAY		DC12V		G6K-2F-Y-TR DC12V	M1190183		1-	A	A2
RL3606	RELAY		DC12V		G6K-2F-Y-TR DC12V	M1190183		1-	A	A2
RL3607	RELAY		DC12V		G6K-2F-Y-TR DC12V	M1190183		1-	A	B2
RL3608	RELAY		DC12V		G6K-2F-Y-TR DC12V	M1190183		1-	A	A2
RL3609	RELAY		DC12V		G6K-2F-Y-TR DC12V	M1190183		1-	A	A2
RL3610	RELAY		DC12V		G6K-2F-Y-TR DC12V	M1190183		1-	A	B2
RL3611	RELAY		DC12V		G6K-2F-Y-TR DC12V	M1190183		1-	A	B2
RL3612	RELAY		DC12V		G6K-2F-Y-TR DC12V	M1190183		1-	A	A2
RL3613	RELAY		DC12V		G6K-2F-Y-TR DC12V	M1190183		1-	A	A2
RL3614	RELAY		DC12V		G6K-2F-Y-TR DC12V	M1190183		1-	A	A2
RL3615	RELAY		DC12V		G6K-2F-Y-TR DC12V	M1190183		1-	A	A1
RL3616	RELAY		DC12V		G6K-2F-Y-TR DC12V	M1190183		1-	A	A2
RL3617	RELAY		DC12V		G6K-2F-Y-TR DC12V	M1190183		1-	A	B1
RL3618	RELAY		DC12V		G6K-2F-Y-TR DC12V	M1190183		1-	A	B1

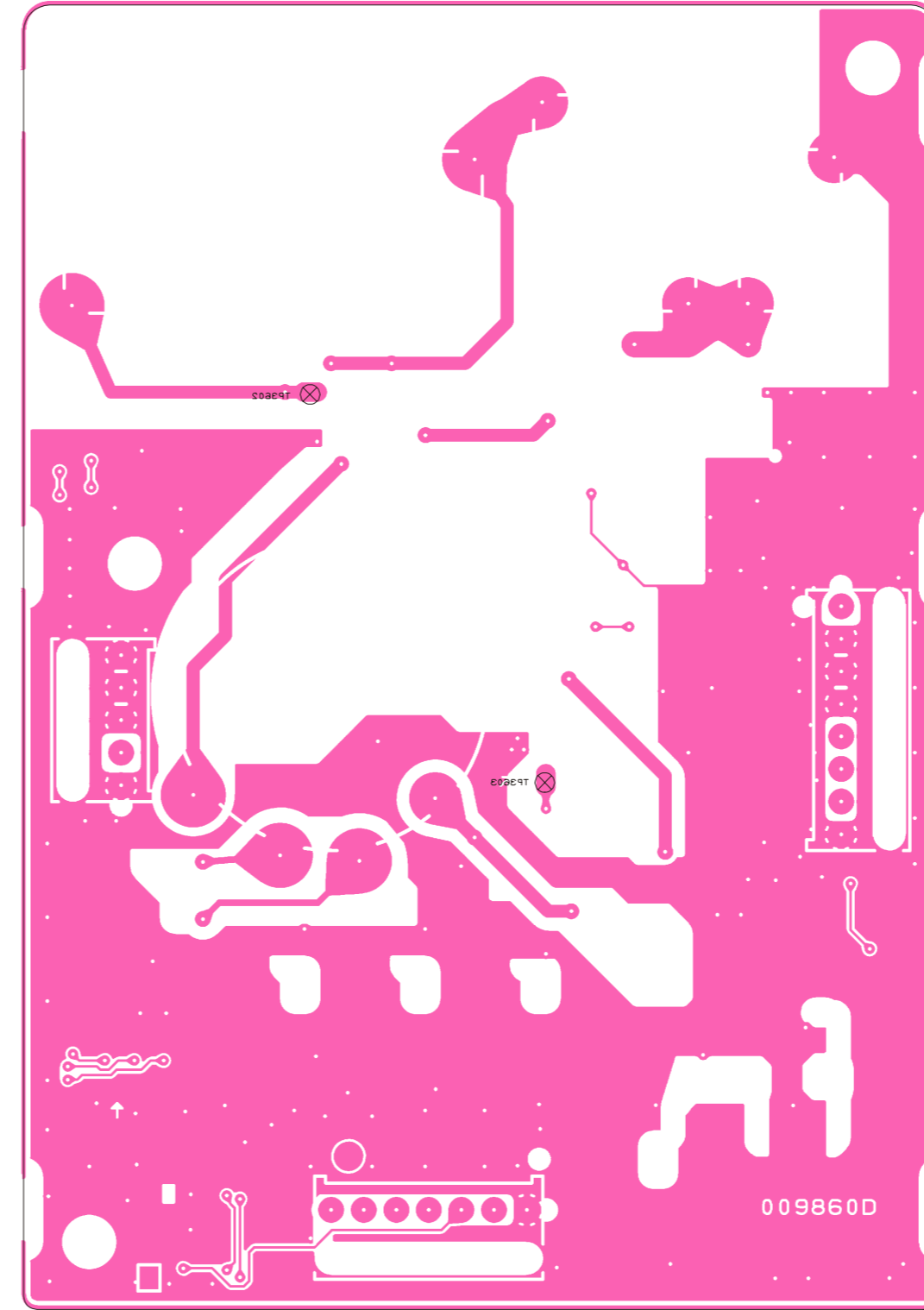


VRF-2 Unit (RXU-9000)

Parts Layout



Side A



Side B

# VRF-2 Unit (RXU-9000)

## Parts List

REF	DESCRIPTION	VALUE	V/W	TOL.	MFR'S DESIG	VXSTD P/N	VERS.	LOT	SIDE	LAY ADR
PCB with Components						CB3093001				
	Printed Circuit Board					FR009860D			1-	
C 3801	CHIP CAP.	2pF	50V	CK	GRM1884C1H2R0CZ01D	K22174203			1-	
C 3802	CHIP CAP.	4pF	50V	CH	GRM1882C1H4R0CZ01D	K22174205			1-	
C 3803	CHIP CAP.	8pF	50V	CH	GRM1882C1H8R0DZ01D	K22174209			1-	
C 3804	CHIP CAP.	15pF	50V	CH	GRM1882C1H150JA01D	K22174215			1-	
C 3805	CHIP CAP.	30pF	50V	CH	GRM1882C1H300JZ01D	K22174222			1-	
C 3806	CHIP CAP.	56pF	50V	CH	GRM1882C1H560JA01D	K22174229			1-	
C 3807	CHIP CAP.	120pF	50V	CH	GRM1882C1H121JA01D	K22174237			1-	
C 3808	CHIP CAP.	220pF	50V	CH	GRM1882C1H221JA01D	K22174243			1	
C 3808	CHIP CAP.	240pF			MCH185A241JK	K22174270			2-	
C 3809	CHIP CAP.	0.01uF	50V	B	GRM188B11H103KA01D	K22174823			1-	
C 3810	CHIP CAP.	220pF	50V	CH	GRM1882C1H221JA01D	K22174243			1-	
C 3811	CHIP CAP.	470pF	50V	CH	GRM1882C1H471JA01D	K22174249			1-	
C 3812	CHIP CAP.	68pF	50V	CH	GRM1882C1H680JA01D	K22174231			1-	
C 3814	CHIP CAP.	0.01uF	50V	B	GRM188B11H103KA01D	K22174823			1-	
C 3817	CHIP CAP.	0.01uF	50V	B	GRM188B11H103KA01D	K22174823			1-	
C 3818	CHIP CAP.	0.001uF	50V	B	GRM188B11H102KA01D	K22174821			1-	
C 3819	CHIP CAP.	0.1uF	25V	F	GRM39F104Z25PT	K22145001			1-	
C 3820	CHIP CAP.	0.047uF	25V	F	GRM39F473Z25PT	K22145002			1-	
C 3821	CHIP CAP.	0.047uF	25V	F	GRM39F473Z25PT	K22145002			1-	
C 3822	CHIP CAP.	0.047uF	25V	F	GRM39F473Z25PT	K22145002			1-	
C 3823	CHIP CAP.	0.047uF	25V	F	GRM39F473Z25PT	K22145002			1-	
C 3824	CHIP CAP.	0.047uF	25V	F	GRM39F473Z25PT	K22145002			1-	
C 3825	CHIP CAP.	0.047uF	25V	F	GRM39F473Z25PT	K22145002			1-	
C 3826	CHIP CAP.	0.047uF	25V	F	GRM39F473Z25PT	K22145002			1-	
C 3827	CHIP CAP.	0.047uF	25V	F	GRM39F473Z25PT	K22145002			1-	
C 3828	CHIP CAP.	0.047uF	25V	F	GRM39F473Z25PT	K22145002			1-	
C 3829	CHIP CAP.	0.047uF	25V	F	GRM39F473Z25PT	K22145002			1-	
C 3830	CHIP CAP.	0.047uF	25V	F	GRM39F473Z25PT	K22145002			1-	
C 3831	CHIP CAP.	0.047uF	25V	F	GRM39F473Z25PT	K22145002			1-	
C 3832	CHIP CAP.	0.047uF	25V	F	GRM39F473Z25PT	K22145002			1-	
C 3833	CHIP CAP.	100pF	50V	CH	GRM1882C1H101JA01D	K22174235			1-	
C 3834	AL.ELECTRO.CAP.	10uF	35V		ECEV1VA100WR	K48160004			1-	
C 3837	CHIP CAP.	0.01uF	50V	B	GRM188B11H103KA01D	K22174823			1-	
C 3838	CHIP CAP.	0.01uF	50V	B	GRM188B11H103KA01D	K22174823			1-	
C 3839	CHIP CAP.	0.01uF	50V	B	GRM188B11H103KA01D	K22174823			1-	
C 3840	CHIP CAP.	0.01uF	50V	B	GRM188B11H103KA01D	K22174823			1-	
C 3841	CHIP CAP.	0.1uF	16V	B	GRM188B11C104KA01D	K22124805			1-	
C 3842	CHIP CAP.	0.1uF	16V	B	GRM188B11C104KA01D	K22124805			1-	
C 3843	CHIP CAP.	0.1uF	16V	B	GRM188B11C104KA01D	K22124805			1-	
C 3844	CHIP CAP.	0.1uF	16V	B	GRM188B11C104KA01D	K22124805			1-	
C 3845	CHIP CAP.	0.1uF	16V	B	GRM188B11C104KA01D	K22124805			1-	
C 3846	CHIP CAP.	0.1uF	16V	B	GRM188B11C104KA01D	K22124805			1-	
C 3847	CHIP CAP.	0.1uF	16V	B	GRM188B11C104KA01D	K22124805			1-	
C 3848	CHIP CAP.	0.1uF	16V	B	GRM188B11C104KA01D	K22124805			1-	
C 3849	CHIP CAP.	0.1uF	16V	B	GRM188B11C104KA01D	K22124805			1-	
C 3850	CHIP CAP.	0.1uF	16V	B	GRM188B11C104KA01D	K22124805			1-	
C 3851	CHIP CAP.	0.1uF	16V	B	GRM188B11C104KA01D	K22124805			1-	
C 3852	CHIP CAP.	0.1uF	16V	B	GRM188B11C104KA01D	K22124805			1-	
C 3853	CHIP CAP.	0.1uF	16V	B	GRM188B11C104KA01D	K22124805			1-	
C 3873	CHIP CAP.	0.047uF	25V	F	GRM39F473Z25PT	K22145002			1-	
C 3874	CHIP CAP.	7pF	50V	CH	GRM1882C1H7R0DZ01D	K22174208			1-	
C 3875	CHIP CAP.	0.1uF	16V	B	GRM188B11C104KA01D	K22124805			1-	
C 3876	CHIP CAP.	0.047uF	25V	F	GRM39F473Z25PT	K22145002			1-	
C 3877	CHIP CAP.	0.047uF	25V	F	GRM39F473Z25PT	K22145002			1-	
C 3878	CHIP CAP.	0.1uF	16V	B	GRM188B11C104KA01D	K22124805			1-	
C 3879	CHIP CAP.	0.1uF	16V	B	GRM188B11C104KA01D	K22124805			1-	
C 3880	CHIP CAP.	0.047uF	25V	F	GRM39F473Z25PT	K22145002			1-	
C 3881	CHIP CAP.	0.1uF	16V	B	GRM188B11C104KA01D	K22124805			1-	
C 3883	CHIP CAP.	0.1uF	16V	B	GRM188B11C104KA01D	K22124805			1-	
C 3884	CHIP CAP.	0.1uF	16V	B	GRM188B11C104KA01D	K22124805			1-	
C 3885	CHIP CAP.	0.1uF	16V	B	GRM188B11C104KA01D	K22124805			1-	
C 3891	CHIP CAP.	47pF	50V	CH	GRM1882C1H470JA01D	K22174227			1-	
C 3892	CHIP CAP.	100pF	50V	CH	GRM1882C1H101JA01D	K22174235			1-	
C 3893	CHIP CAP.	100pF	50V	CH	GRM1882C1H101JA01D	K22174235			1-	
C 3894	CHIP CAP.	47pF	50V	CH	GRM1882C1H470JA01D	K22174227			1-	
C 3895	CHIP CAP.	0.047uF	16V	B	GRM39B473K16PT	K22124804			1-	
C 3896	CHIP CAP.	0.01uF	50V	B	GRM188B11H103KA01D	K22174823			1-	
C 3898	CHIP CAP.	4pF	50V	CH	GRM1882C1H4R0CZ01D	K22174205			1-	
C 3899	CHIP CAP.	20pF	50V	CH	GRM1882C1H200JZ01D	K22174218			1	
D 3801	DIODE				BAS316	G2070716			1-	
D 3802	DIODE				BAS316	G2070716			1-	

# VRF-2 Unit (RXU-9000)

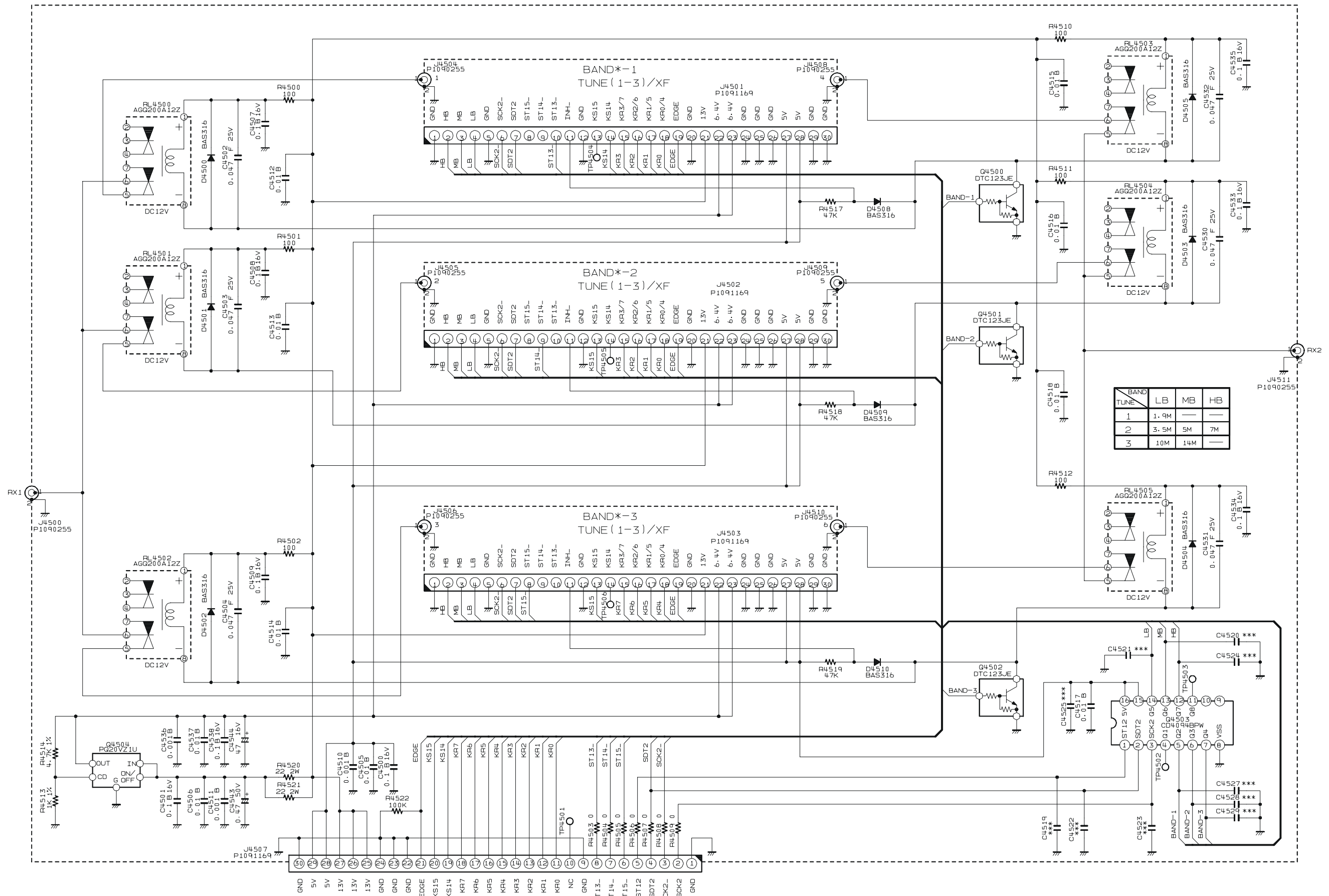
## Parts List

REF	DESCRIPTION	VALUE	V/W	TOL.	MFR'S DESIG	VXSTD P/N	VERS.	LOT	SIDE	LAY ADR
D 3803	DIODE				BAS316	G2070716		1-		
D 3804	DIODE				BAS316	G2070716		1-		
D 3805	DIODE				BAS316	G2070716		1-		
D 3806	DIODE				BAS316	G2070716		1-		
D 3807	DIODE				BAS316	G2070716		1-		
D 3808	DIODE				BAS316	G2070716		1-		
D 3809	DIODE				BAS316	G2070716		1-		
D 3810	DIODE				BAS316	G2070716		1-		
D 3811	DIODE				BAS316	G2070716		1-		
D 3812	DIODE				BAS316	G2070716		1-		
D 3813	DIODE				BAS316	G2070716		1-		
D 3814	DIODE				BAS316	G2070716		1-		
D 3815	DIODE				BAS316	G2070716		1-		
D 3816	DIODE				BAS316	G2070716		1-		
D 3817	DIODE				BAS316	G2070716		1-		
J 3801	CONNECTOR				IMSA-9133S-05D	P1090908		1-		
J 3802	CONNECTOR				IMSA-9133S-08D	P1091210		1-		
J 3803	CONNECTOR				IMSA-9133S-07D	P1090868		1-		
JP3800	WIRE ASSY				GRN 40 2/2	T50504000		1-		
L 3801	TOROIDAL COIL	7.65uH			7.65U T80-2	L0022848A		1-		
L 3804	COIL A1				3.5T10.0D1.2PEW R	L0022841		1-		
L 3805	COIL A1				7.5T10.0D1.2PEW R	L0022842		1-		
L 3806	COIL A1				14.5T10.0D1.2PEW R	L0022843		1-		
L 3807	CHIPCOIL	1mH			LQH43MN102K03L	L1690108		1-		
L 3808	CHIPCOIL	0.18uH		2%	C2520C-R18G	L1691297		1-		
L 3809	CHIPCOIL	0.22uH		2%	C2520C-R22G	L1691298		1-		
L 3810	CHIPCOIL	0.18uH		2%	C2520C-R18G	L1691297		1-		
Q 3801	FET				SST310-T1	G4070009		1-		
Q 3803	IC				BU2099FV-E2	G1093243		1-		
Q 3804	TRANSISTOR				DTA123JE TL	G3070331		1-		
Q 3805	TRANSISTOR				DTA123JE TL	G3070331		1-		
Q 3806	TRANSISTOR				DTA123JE TL	G3070331		1-		
Q 3807	TRANSISTOR				DTA123JE TL	G3070331		1-		
R 3802	CHIPRES.	100	1/16W	5%	RMC1/16 101JATP	J24185101		1-		
R 3806	CHIPRES.	1.5k	1/16W	5%	RMC1/16 152JATP	J24185152		1-		
R 3807	CHIPRES.	0	1/16W	5%	RMC1/16 000JATP	J24185000		1-		
R 3810	CHIPRES.	0	1/16W	5%	RMC1/16 000JATP	J24185000		1		
R 3810	CHIPRES.	47	1/16W	5%	RMC1/16 470JATP	J24185470		2-		
R 3812	CHIPRES.	100	1/16W	5%	RMC1/16 101JATP	J24185101		1-		
R 3813	CHIPRES.	100	1/16W	5%	RMC1/16 101JATP	J24185101		1-		
R 3814	CHIPRES.	100	1/16W	5%	RMC1/16 101JATP	J24185101		1-		
R 3815	CHIPRES.	100	1/16W	5%	RMC1/16 101JATP	J24185101		1-		
R 3816	CHIPRES.	100	1/16W	5%	RMC1/16 101JATP	J24185101		1-		
R 3817	CHIPRES.	100	1/16W	5%	RMC1/16 101JATP	J24185101		1-		
R 3818	CHIPRES.	100	1/16W	5%	RMC1/16 101JATP	J24185101		1-		
R 3819	CHIPRES.	100	1/16W	5%	RMC1/16 101JATP	J24185101		1-		
R 3820	CHIPRES.	100	1/16W	5%	RMC1/16 101JATP	J24185101		1-		
R 3821	CHIPRES.	100	1/16W	5%	RMC1/16 101JATP	J24185101		1-		
R 3822	CHIPRES.	100	1/16W	5%	RMC1/16 101JATP	J24185101		1-		
R 3823	CHIPRES.	100	1/16W	5%	RMC1/16 101JATP	J24185101		1-		
R 3824	CHIPRES.	100	1/16W	5%	RMC1/16 101JATP	J24185101		1-		
R 3827	CHIPRES.	100	1/16W	5%	RMC1/16 101JATP	J24185101		1-		
R 3831	CHIPRES.	100	1/16W	5%	RMC1/16 101JATP	J24185101		1-		
R 3832	CHIPRES.	100	1/16W	5%	RMC1/16 101JATP	J24185101		1-		
R 3833	CHIPRES.	100	1/16W	5%	RMC1/16 101JATP	J24185101		1-		
RL3801	RELAY		DC12V		G6K-2F-Y-TR DC12V	M1190183		1-		
RL3802	RELAY		DC12V		G6K-2F-Y-TR DC12V	M1190183		1-		
RL3803	RELAY		DC12V		G6K-2F-Y-TR DC12V	M1190183		1-		
RL3805	RELAY		DC12V		G6K-2F-Y-TR DC12V	M1190183		1-		
RL3806	RELAY		DC12V		G6K-2F-Y-TR DC12V	M1190183		1-		
RL3807	RELAY		DC12V		G6K-2F-Y-TR DC12V	M1190183		1-		
RL3808	RELAY		DC12V		G6K-2F-Y-TR DC12V	M1190183		1-		
RL3809	RELAY		DC12V		G6K-2F-Y-TR DC12V	M1190183		1-		
RL3810	RELAY		DC12V		G6K-2F-Y-TR DC12V	M1190183		1-		
RL3811	RELAY		DC12V		G6K-2F-Y-TR DC12V	M1190183		1-		
RL3812	RELAY		DC12V		G6K-2F-Y-TR DC12V	M1190183		1-		
RL3813	RELAY		DC12V		G6K-2F-Y-TR DC12V	M1190183		1-		
RL3814	RELAY		DC12V		G6K-2F-Y-TR DC12V	M1190183		1-		
RL3815	RELAY		DC12V		G6K-2F-Y-TR DC12V	M1190183		1-		
RL3816	RELAY		DC12V		G6K-2F-Y-TR DC12V	M1190183		1-		
RL3817	RELAY		DC12V		G6K-2F-Y-TR DC12V	M1190183		1-		
RL3818	RELAY		DC12V		G6K-2F-Y-TR DC12V	M1190183		1-		



# RX-TUNE Unit

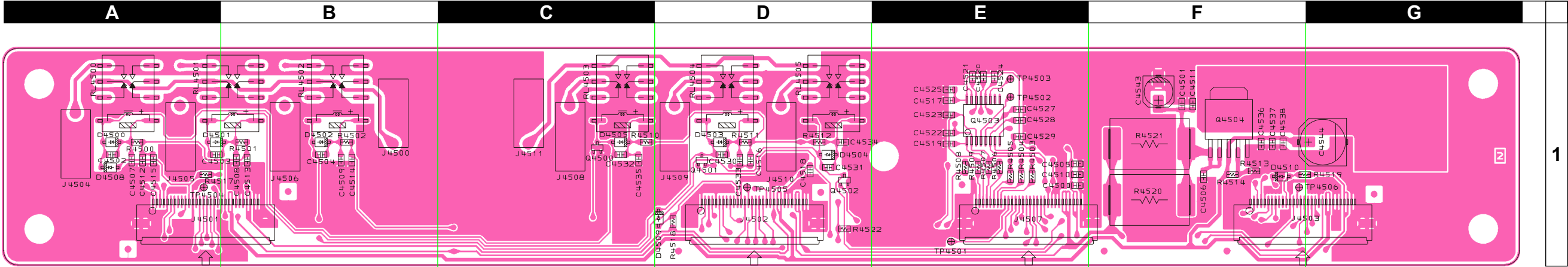
## Circuit Diagram



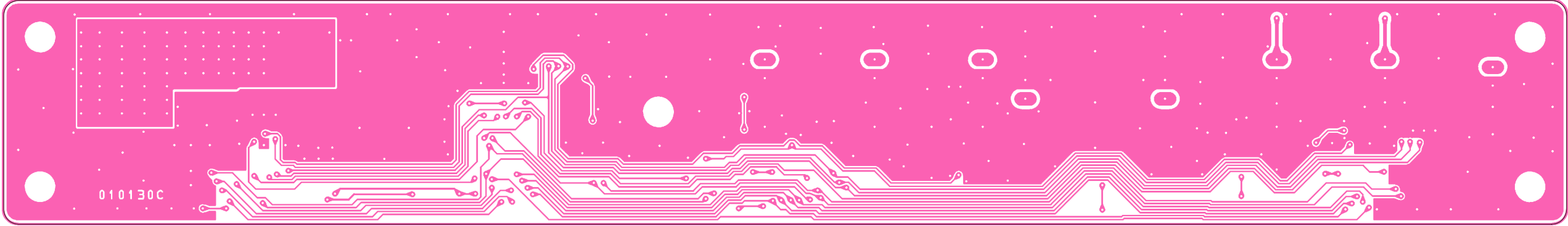
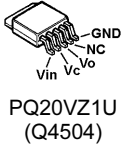
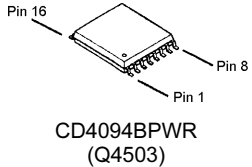
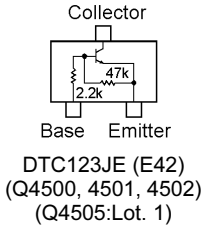
----- TO CNTL-UNIT -----

# RX-TUNE Unit

## Parts Layout



Side A



Side B

# RX-TUNE Unit

## Parts List

REF	DESCRIPTION	VALUE	V/W	TOL.	MFR'S DESIG	VXSTD P/N	VERS.	LOT	SIDE	LAY ADR
PCB with Components						CB2391001				
Printed Circuit Board						FR0101300		1-		
C 4500	CHIP CAP.	0.1uF	16V	B	GRM188B11C104KA01D	K22124805		1-	A	E1
C 4501	CHIP CAP.	0.1uF	16V	B	GRM188B11C104KA01D	K22124805		1-	A	F1
C 4502	CHIP CAP.	0.047uF	25V	F	GRM39F473Z25PT	K22145002		1-	A	A1
C 4503	CHIP CAP.	0.047uF	25V	F	GRM39F473Z25PT	K22145002		1-	A	A1
C 4504	CHIP CAP.	0.047uF	25V	F	GRM39F473Z25PT	K22145002		1-	A	B1
C 4505	CHIP CAP.	0.01uF	50V	B	GRM188B11H103KA01D	K22174823		1-	A	E1
C 4506	CHIP CAP.	0.01uF	50V	B	GRM188B11H103KA01D	K22174823		1-	A	F1
C 4507	CHIP CAP.	0.1uF	16V	B	GRM188B11C104KA01D	K22124805		1-	A	A1
C 4508	CHIP CAP.	0.1uF	16V	B	GRM188B11C104KA01D	K22124805		1-	A	B1
C 4509	CHIP CAP.	0.1uF	16V	B	GRM188B11C104KA01D	K22124805		1-	A	B1
C 4510	CHIP CAP.	0.001uF	50V	B	GRM188B11H102KA01D	K22174821		1-	A	E1
C 4511	CHIP CAP.	0.001uF	50V	B	GRM188B11H102KA01D	K22174821		1-	A	F1
C 4512	CHIP CAP.	0.01uF	50V	B	GRM188B11H103KA01D	K22174823		1-	A	A1
C 4513	CHIP CAP.	0.01uF	50V	B	GRM188B11H103KA01D	K22174823		1-	A	B1
C 4514	CHIP CAP.	0.01uF	50V	B	GRM188B11H103KA01D	K22174823		1-	A	B1
C 4515	CHIP CAP.	0.01uF	50V	B	GRM188B11H103KA01D	K22174823		1-	A	A1
C 4516	CHIP CAP.	0.01uF	50V	B	GRM188B11H103KA01D	K22174823		1-	A	D1
C 4517	CHIP CAP.	0.01uF	50V	B	GRM188B11H103KA01D	K22174823		1-	A	E1
C 4518	CHIP CAP.	0.01uF	50V	B	GRM188B11H103KA01D	K22174823		1-	A	D1
C 4530	CHIP CAP.	0.047uF	25V	F	GRM39F473Z25PT	K22145002		1-	A	D1
C 4531	CHIP CAP.	0.047uF	25V	F	GRM39F473Z25PT	K22145002		1-	A	D1
C 4532	CHIP CAP.	0.047uF	25V	F	GRM39F473Z25PT	K22145002		1-	A	C1
C 4533	CHIP CAP.	0.1uF	16V	B	GRM188B11C104KA01D	K22124805		1-	A	D1
C 4534	CHIP CAP.	0.1uF	16V	B	GRM188B11C104KA01D	K22124805		1-	A	D1
C 4535	CHIP CAP.	0.1uF	16V	B	GRM188B11C104KA01D	K22124805		1-	A	C1
C 4536	CHIP CAP.	0.001uF	50V	B	GRM188B11H102KA01D	K22174821		1-	A	F1
C 4537	CHIP CAP.	0.01uF	50V	B	GRM188B11H103KA01D	K22174823		1-	A	F1
C 4538	CHIP CAP.	0.1uF	16V	B	GRM188B11C104KA01D	K22124805		1-	A	F1
C 4539	CHIP CAP.	0.047uF	25V	F	GRM39F473Z25PT	K22145002		1		
C 4540	CHIP CAP.	0.047uF	25V	F	GRM39F473Z25PT	K22145002		1		
C 4541	CHIP CAP.	0.1uF	16V	B	GRM188B11C104KA01D	K22124805		1		
C 4542	CHIP CAP.	0.1uF	16V	B	GRM188B11C104KA01D	K22124805		1		
C 4543	AL.ELECTRO.CAP.	0.33uF	50V		RC2-50VR33MB-F1	K40179045		1	A	F1
C 4543	AL.ELECTRO.CAP.	0.47uF	50V		ECEV1HAR47SR	K48170013		2-	A	F1
C 4544	AL.ELECTRO.CAP.	47uF	16V		RC2-16V470MSG-T58	K46120010		1	A	G1
C 4544	AL.ELECTRO.CAP.	47uF	16V		ECEV1CA470SP	K48120005		2-	A	G1
D 4500	DIODE				BAS316	G2070716		1-	A	A1
D 4501	DIODE				BAS316	G2070716		1-	A	A1
D 4502	DIODE				BAS316	G2070716		1-	A	B1
D 4503	DIODE				BAS316	G2070716		1-	A	D1
D 4504	DIODE				BAS316	G2070716		1-	A	D1
D 4505	DIODE				BAS316	G2070716		1-	A	C1
D 4506	DIODE				BAS316	G2070716		1		
D 4507	DIODE				BAS316	G2070716		1		
D 4508	DIODE				GMA01U-BT	G2060023		1	A	A1
D 4508	DIODE				BAS316	G2070716		2-	A	A1
D 4509	DIODE				GMA01U-BT	G2060023		1	A	D1
D 4509	DIODE				BAS316	G2070716		2-	A	D1
D 4510	DIODE				GMA01U-BT	G2060023		1	A	F1
D 4510	DIODE				BAS316	G2070716		2-	A	F1
J 4500	CONNECTOR				TMP-J01X-A2	P1090255		1-	A	B1
J 4500	CONNECTOR				TMP-S01X-C1	P1091254		5-	A	B1
J 4501	CONNECTOR				9637S-30-Y905	P1091169		1-	A	A1
J 4502	CONNECTOR				9637S-30-Y905	P1091169		1-	A	D1
J 4503	CONNECTOR				9637S-30-Y905	P1091169		1-	A	G1
J 4504	CONNECTOR				TMP-J01X-A2	P1090255		1-	A	A1
J 4504	CONNECTOR				TMP-S01X-C1	P1091254		5-	A	A1
J 4505	CONNECTOR				TMP-J01X-A2	P1090255		1-	A	A1
J 4505	CONNECTOR				TMP-S01X-C1	P1091254		5-	A	A1
J 4506	CONNECTOR				TMP-J01X-A2	P1090255		1-	A	B1
J 4506	CONNECTOR				TMP-S01X-C1	P1091254		5-	A	B1
J 4507	CONNECTOR				9637S-30-Y905	P1091169		1-	A	E1
J 4508	CONNECTOR				TMP-J01X-A2	P1090255		1-	A	C1
J 4508	CONNECTOR				TMP-S01X-C1	P1091254		5-	A	C1
J 4509	CONNECTOR				TMP-J01X-A2	P1090255		1-	A	D1
J 4509	CONNECTOR				TMP-S01X-C1	P1091254		5-	A	D1
J 4510	CONNECTOR				TMP-J01X-A2	P1090255		1-	A	D1
J 4510	CONNECTOR				TMP-S01X-C1	P1091254		5-	A	D1
J 4511	CONNECTOR				TMP-J01X-A2	P1090255		1-	A	C1
J 4511	CONNECTOR				TMP-S01X-C1	P1091254		5-	A	C1
Q 4500	TRANSISTOR				DTC123JE TL	G3070323		1-	A	C1

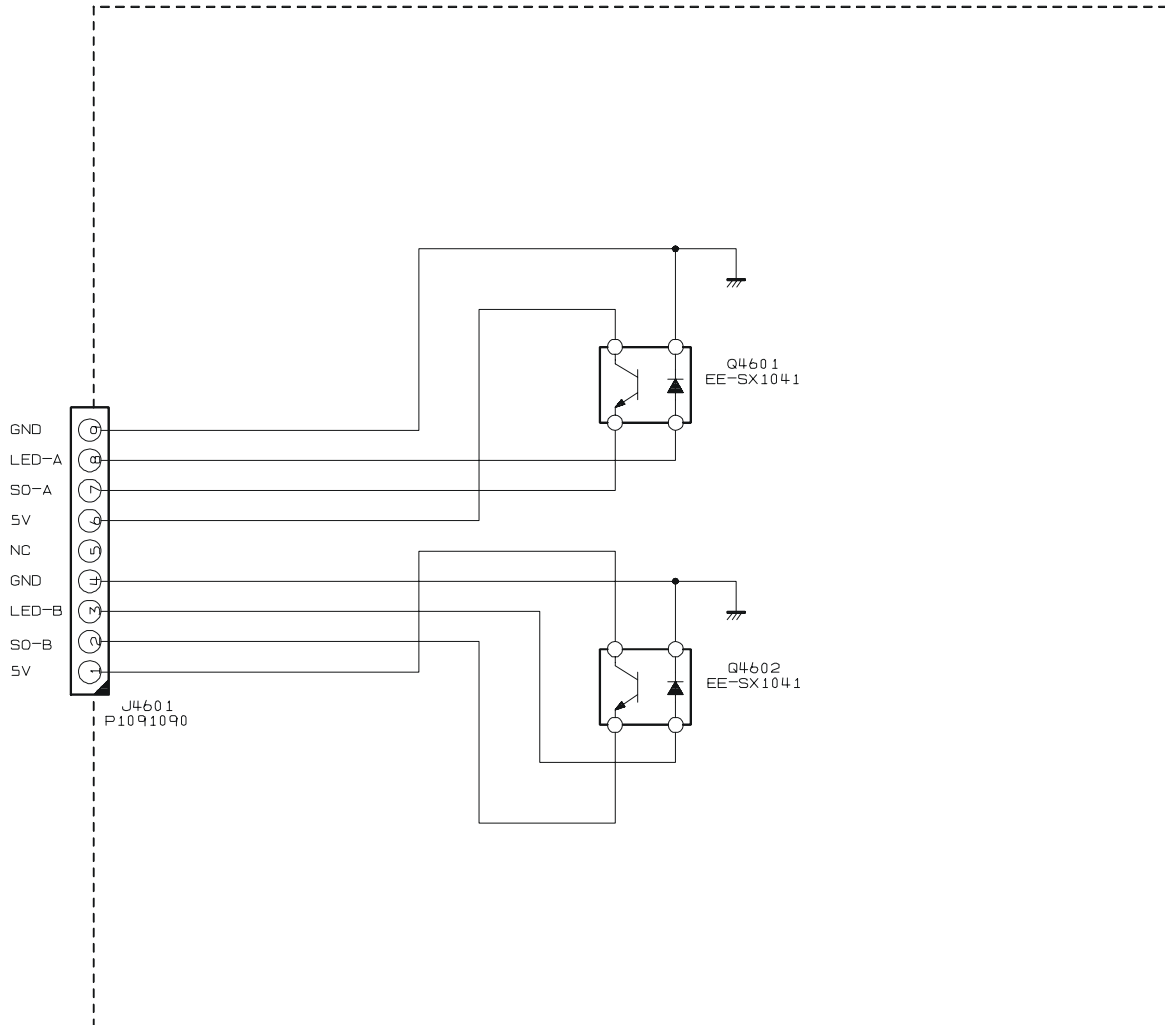
# RX-TUNE Unit

## Parts List

REF	DESCRIPTION	VALUE	V/W	TOL.	MFR'S DESIG	VXSTD P/N	VERS.	LOT	SIDE	LAY ADR
Q 4501	TRANSISTOR				DTC123JE TL	G3070323		1-	A	D1
Q 4502	TRANSISTOR				DTC123JE TL	G3070323		1-	A	D1
Q 4503	IC				CD4094BPWR	G1093866		1-	A	E1
Q 4504	IC				PQ20VZ1U	G1092705		1-	A	F1
Q 4505	TRANSISTOR				DTC123JE TL	G3070323		1		
R 4500	CHIP RES.	100	1/16W	5%	RMC1/16 101JATP	J24185101		1-	A	A1
R 4501	CHIP RES.	100	1/16W	5%	RMC1/16 101JATP	J24185101		1-	A	B1
R 4502	CHIP RES.	100	1/16W	5%	RMC1/16 101JATP	J24185101		1-	A	B1
R 4503	CHIP RES.	0	1/16W	5%	RMC1/16 000JATP	J24185000		1-	A	E1
R 4504	CHIP RES.	0	1/16W	5%	RMC1/16 000JATP	J24185000		1-	A	E1
R 4505	CHIP RES.	0	1/16W	5%	RMC1/16 000JATP	J24185000		1-	A	E1
R 4506	CHIP RES.	0	1/16W	5%	RMC1/16 000JATP	J24185000		1-	A	E1
R 4507	CHIP RES.	0	1/16W	5%	RMC1/16 000JATP	J24185000		1-	A	E1
R 4508	CHIP RES.	0	1/16W	5%	RMC1/16 000JATP	J24185000		1-	A	E1
R 4509	CHIP RES.	0	1/16W	5%	RMC1/16 000JATP	J24185000		1-	A	E1
R 4510	CHIP RES.	100	1/16W	5%	RMC1/16 101JATP	J24185101		1-	A	C1
R 4511	CHIP RES.	100	1/16W	5%	RMC1/16 101JATP	J24185101		1-	A	D1
R 4512	CHIP RES.	100	1/16W	5%	RMC1/16 101JATP	J24185101		1-	A	D1
R 4513	CHIP RES.	1k	1/16W	1%	RMC1/16 102FTP	J24183102		1-	A	F1
R 4514	CHIP RES.	4.7k	1/16W	1%	RMC1/16 472FTP	J24183472		1-	A	F1
R 4515	CHIP RES.	100	1/16W	5%	RMC1/16 101JATP	J24185101		1		
R 4516	CHIP RES.	100	1/16W	5%	RMC1/16 101JATP	J24185101		1		
R 4517	CARBON FILM RES.	47k	1/6W	5%	RD16TPJ473 47K	J07225473		1	A	A1
R 4517	CHIP RES.	47k	1/16W	5%	RMC1/16 473JATP	J24185473		2-	A	A1
R 4518	CARBON FILM RES.	47k	1/6W	5%	RD16TPJ473 47K	J07225473		1	A	D1
R 4518	CHIP RES.	47k	1/16W	5%	RMC1/16 473JATP	J24185473		2-	A	D1
R 4519	CARBON FILM RES.	47k	1/6W	5%	RD16TPJ473 47K	J07225473		1	A	G1
R 4519	CHIP RES.	47k	1/16W	5%	RMC1/16 473JATP	J24185473		2-	A	G1
R 4520	METAL FILM RES.	10	2W	5%	ERG-2SJ100 10	J22335100		1	A	F1
R 4520	CHIP RES.	22	2W	5%	CMT2TTE 22 J1000	J24339033		2-	A	F1
R 4521	CHIP RES.	22	2W	5%	CMT2TTE 22 J1000	J24339033		2-	A	F1
R 4522	CHIP RES.	100k	1/16W	5%	RMC1/16 104JATP	J24185104		2-	A	D1
R 4523	CARBON FILM RES.	100k	1/6W	5%	RD16TPJ104 100K	J07225104		1		
RL4500	RELAY		DC12V		AGQ200A12Z DC12V	M1190188		1-	A	A1
RL4501	RELAY		DC12V		AGQ200A12Z DC12V	M1190188		1-	A	B1
RL4502	RELAY		DC12V		AGQ200A12Z DC12V	M1190188		1-	A	B1
RL4503	RELAY		DC12V		AGQ200A12Z DC12V	M1190188		1-	A	C1
RL4504	RELAY		DC12V		AGQ200A12Z DC12V	M1190188		1-	A	D1
RL4505	RELAY		DC12V		AGQ200A12Z DC12V	M1190188		1-	A	D1
RL4506	RELAY		DC12V		AGQ200A12Z DC12V	M1190188		1		
RL4507	RELAY		DC12V		AGQ200A12Z DC12V	M1190188		1		

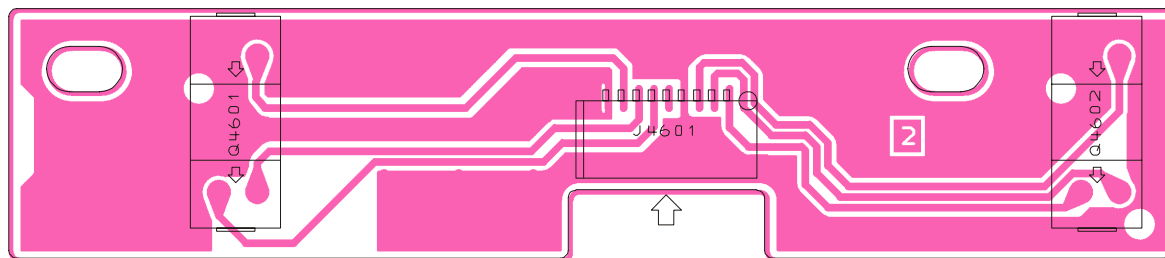
# SENSOR-A Unit

## Circuit Diagram



# SENSOR-A Unit

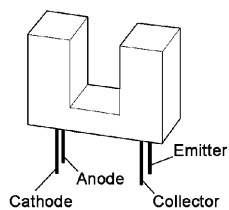
## Parts Layout



Side A



Side B



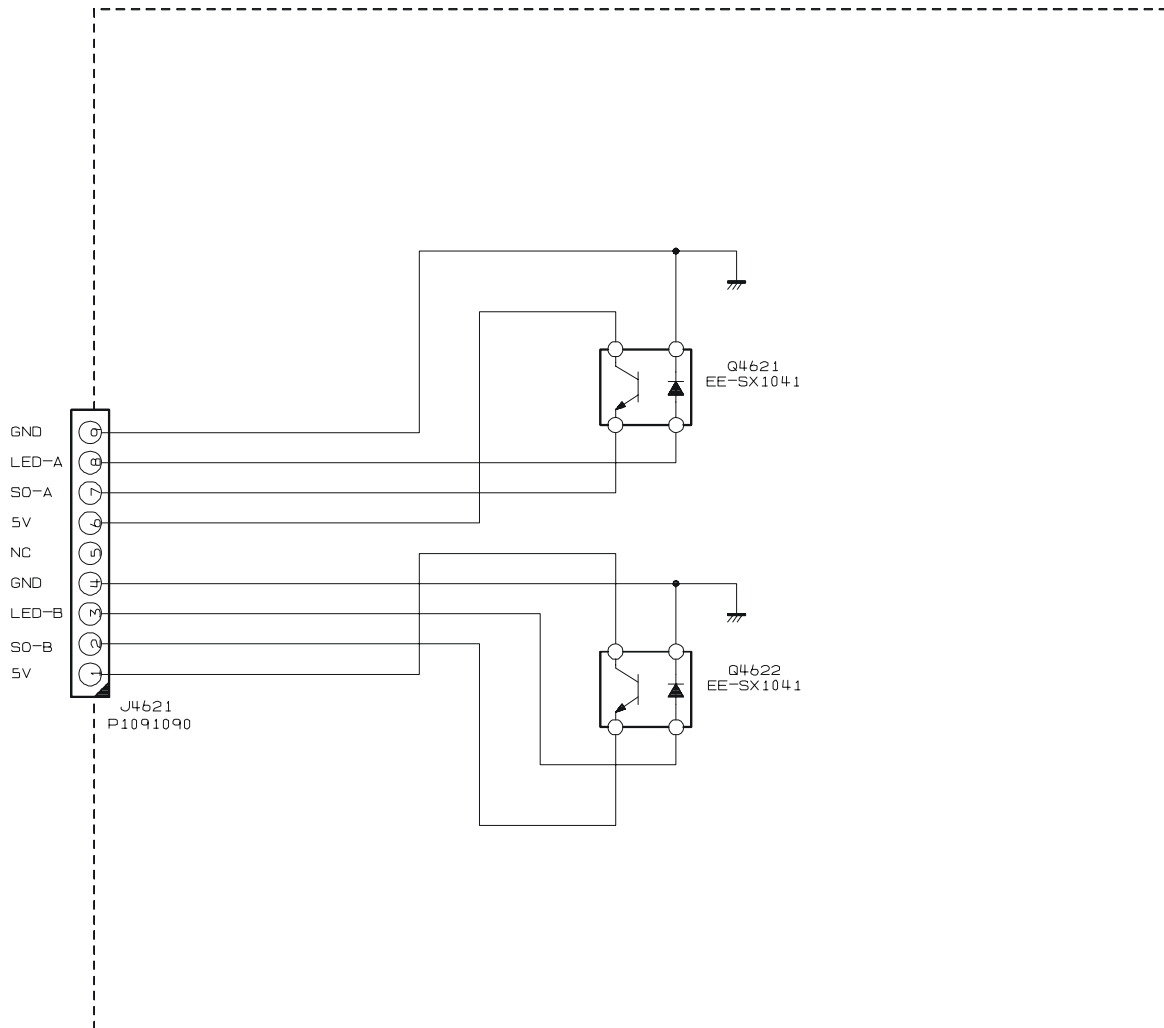
EE-SX1041  
(Q4601, 4602)

## Parts List

REF	DESCRIPTION	VALUE	V/W	TOL.	MFR'S DESIG	VXSTD P/N	VERS.	LOT	SIDE	LAY ADR
	PCB with Components					CB3067001				
	Printed Circuit Board					FR0128200		1-		
J 4601	CONNECTOR				09FMN-SMT-TF	P1091090		1-		
Q 4601	PHOTO INTERRUPTOR				EE-SX1041	G0090038		1-		
Q 4602	PHOTO INTERRUPTOR				EE-SX1041	G0090038		1-		

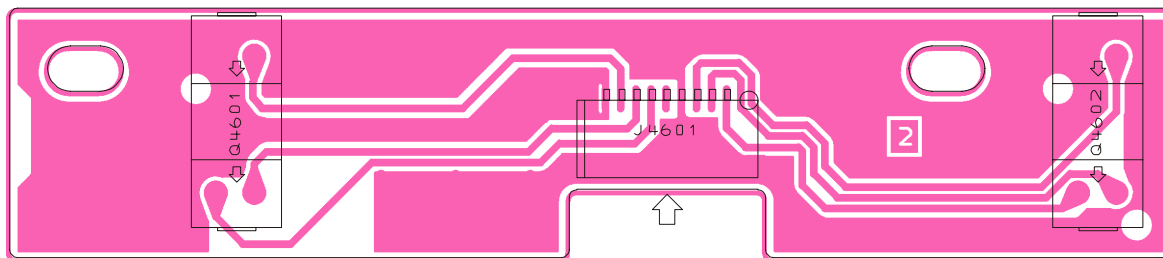
# SENSOR-C Unit

## Circuit Diagram



# SENSOR-C Unit

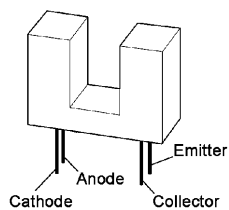
## Parts Layout



Side A



Side B



EE-SX1041  
(Q4621, 4622)

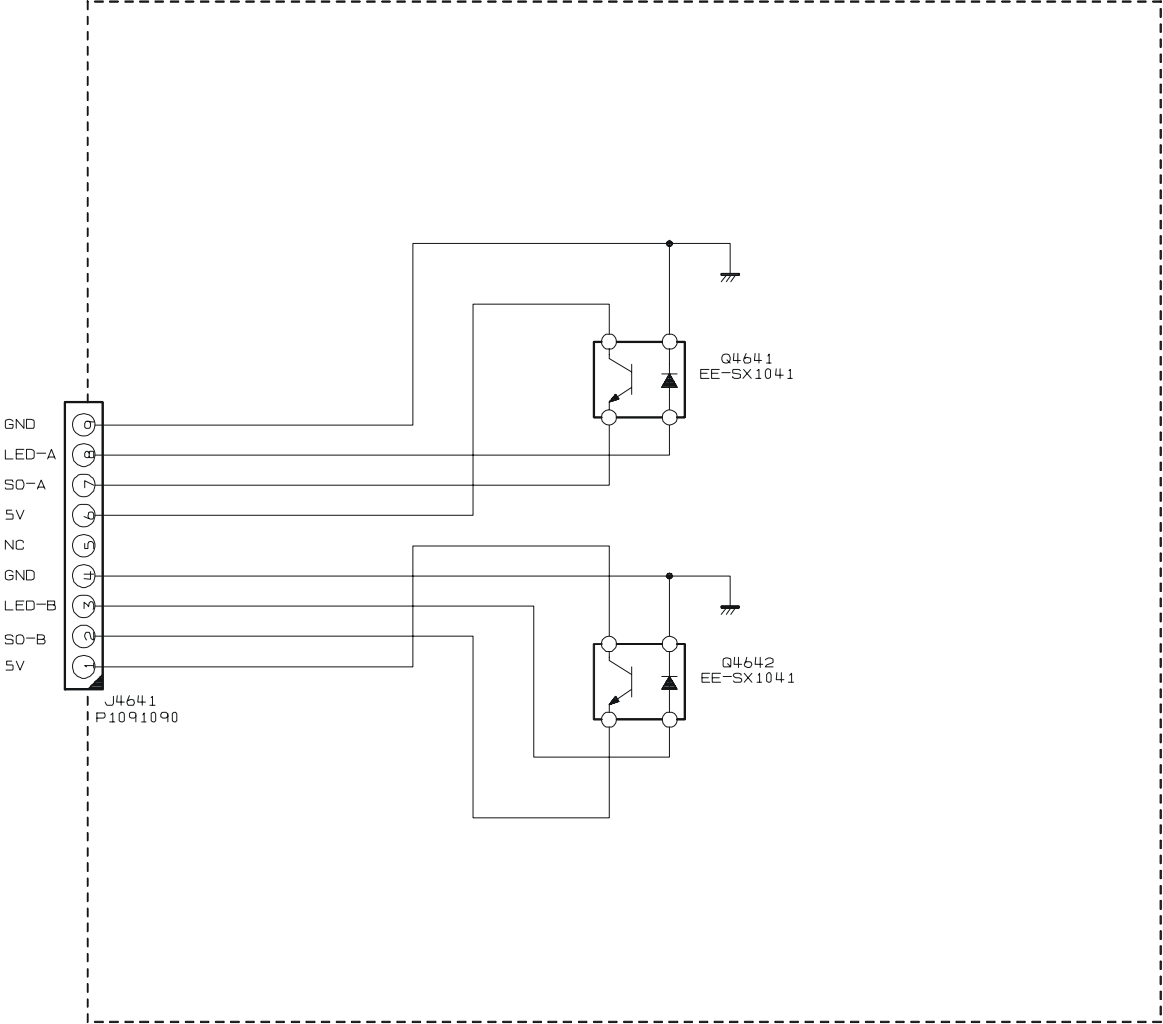
## Parts List

REF	DESCRIPTION	VALUE	V/W	TOL.	MFR'S DESIG	VXSTD P/N	VERS.	LOT	SIDE	LAY ADR
	PCB with Components					CB3134001				
	Printed Circuit Board					FR0128200		1-		
J 4621	CONNECTOR				09FMN-SMT-TF	P1091090		1-		
Q 4621	PHOTO INTERRUPTOR				EE-SX1041	G0090038		1-		
Q 4622	PHOTO INTERRUPTOR				EE-SX1041	G0090038		1-		



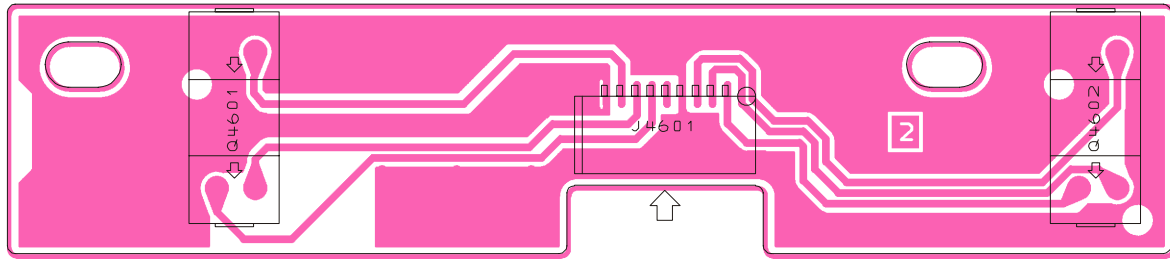
# SENSOR-E Unit

## Circuit Diagram



# SENSOR-E Unit

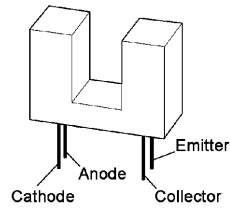
## Parts Layout



Side A



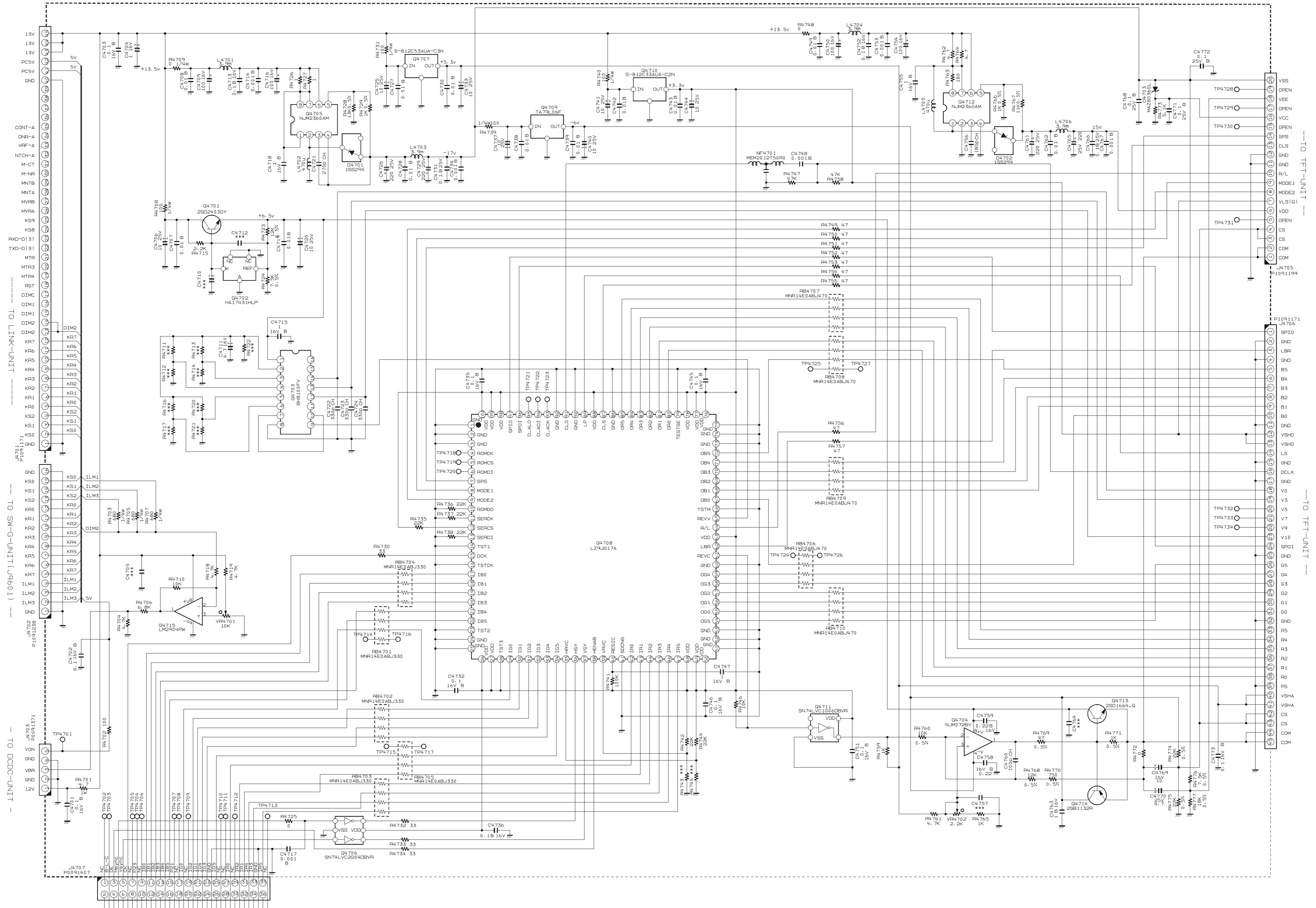
Side B



EE-SX1041  
(Q4601, 4602)

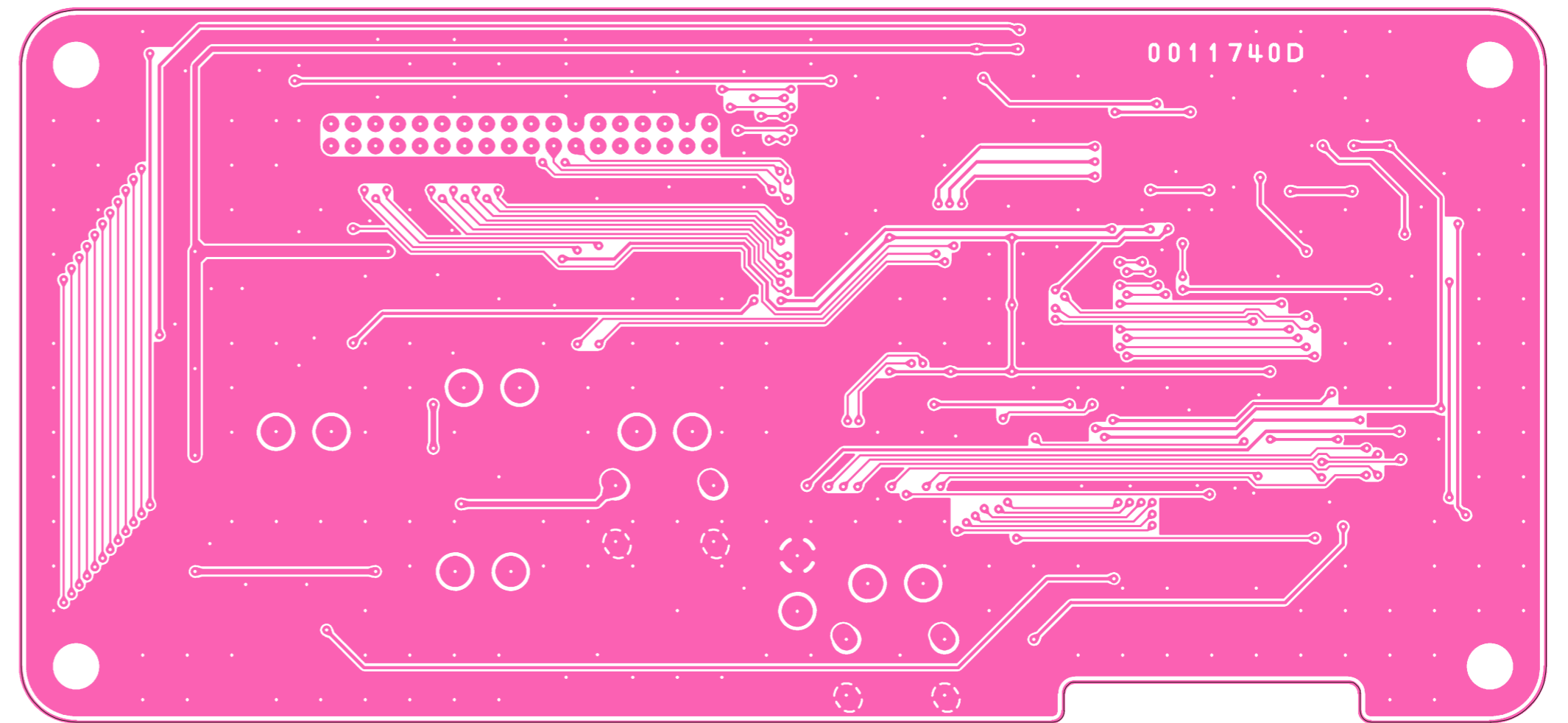
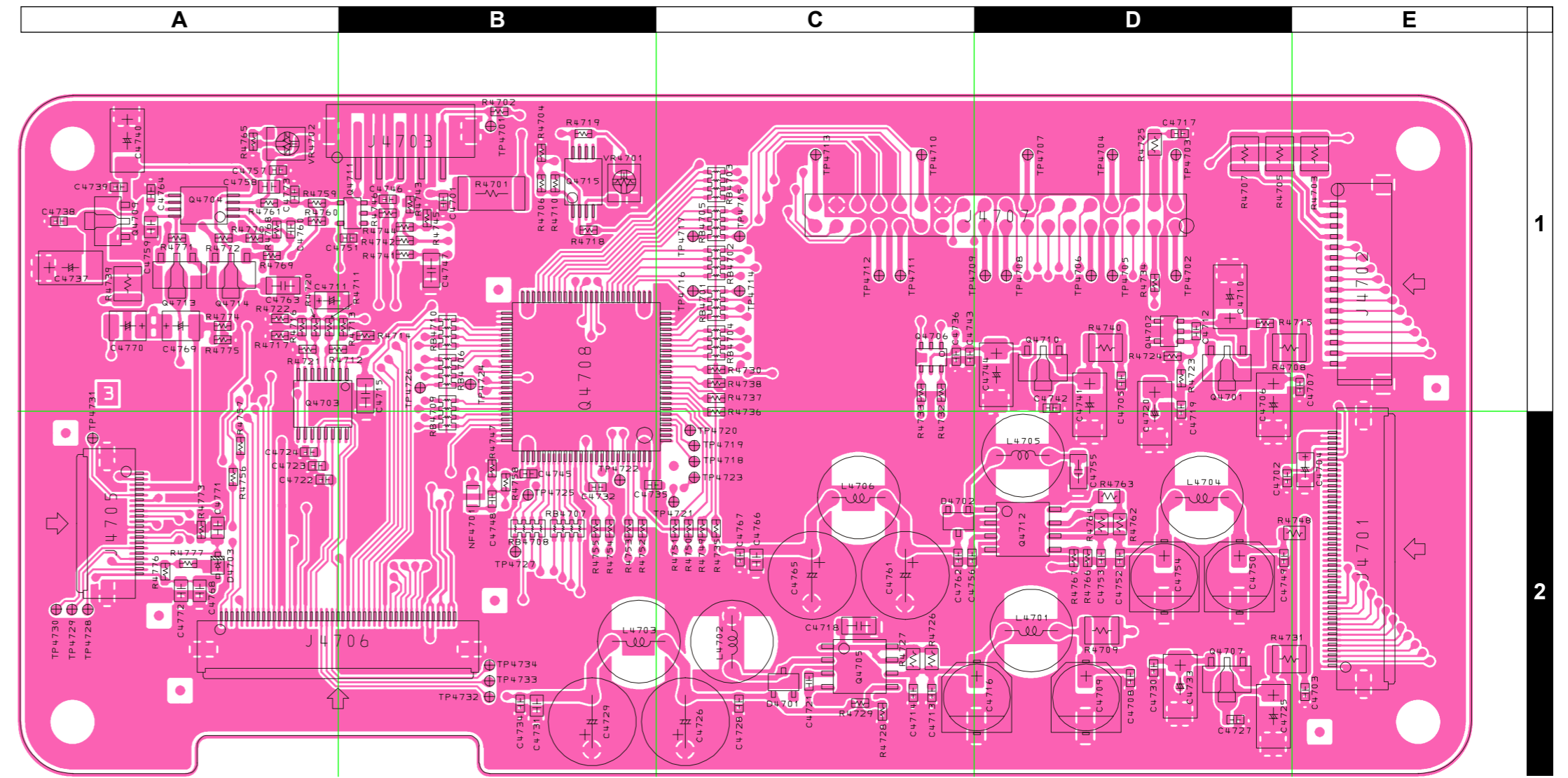
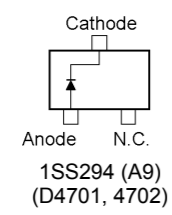
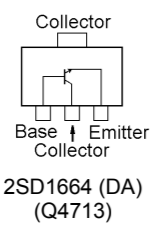
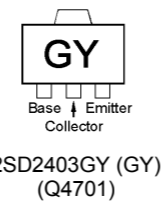
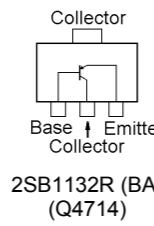
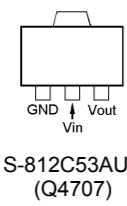
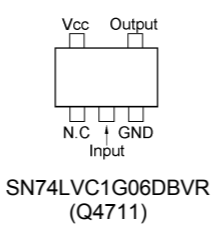
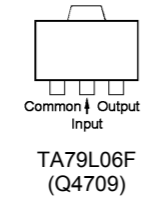
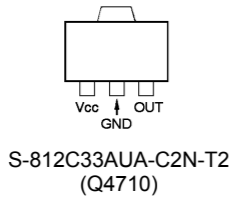
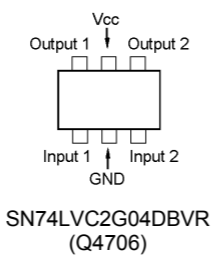
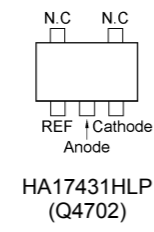
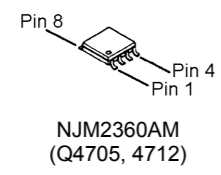
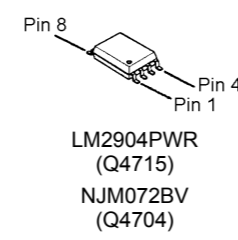
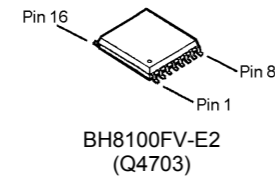
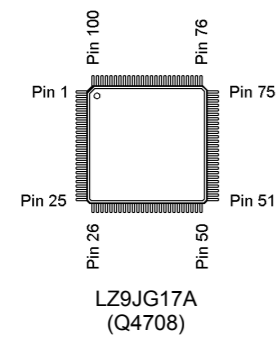
## Parts List

REF	DESCRIPTION	VALUE	V/W	TOL.	MFR'S DESIG	VXSTD P/N	VERS.	LOT	SIDE	LAY ADR
	PCB with Components					CB3136001				
	Printed Circuit Board					FR0128200		1-		
J 4641	CONNECTOR				09FMN-SMT-TF	P1091090		1-		
Q 4641	PHOTO INTERRUPTOR				EE-SX1041	G0090038		1-		
Q 4642	PHOTO INTERRUPTOR				EE-SX1041	G0090038		1-		



*LCD-CNTL Unit (D Type, TFT-9000)*

*Note*



**LCD-CNTL Unit (D Type, TFT-9000)**

*Note*

# LCD-CNTL Unit (D Type, TFT-9000)

## Parts List

REF	DESCRIPTION	VALUE	V/W	TOL.	MFR'S DESIG	VXSTD P/N	VERS.	LOT	SIDE	LAY ADR	
PCB with Components						CB2769001	W/TFT				
Printed Circuit Board						FR0117400			1-		
C 4701	CHIP CAP.	0.1uF	16V	B	GRM188B11C104KA01D	K22124805		1-	A	B1	
C 4702	CHIP CAP.	0.1uF	16V	B	GRM188B11C104KA01D	K22124805		1-	A	D2	
C 4703	CHIP CAP.	0.1uF	16V	B	GRM188B11C104KA01D	K22124805		1-	A	E2	
C 4704	CHIP TA.CAP.	1uF	16V		TESVA1C105M1-8R	K78120009		1-	A	E2	
C 4706	CHIP TA.CAP.	10uF	25V		TEMSVC1E106M12R	K78140021		1-	A	D1	
C 4707	CHIP CAP.	0.01uF	50V	B	GRM188B11H103KA01D	K22174823		1-	A	E1	
C 4708	CHIP CAP.	0.01uF	50V	B	GRM188B11H103KA01D	K22174823		1-	A	D2	
C 4709	AL.ELECTRO.CAP.	100uF	16V		ECEV1CA101WP	K48120012		1-	A	D2	
C 4711	CHIP TA.CAP.	4.7uF	16V		TEMSVA1C475M-8R	K78120031		1-	A	A1	
C 4713	CHIP CAP.	0.1uF	16V	B	GRM188B11C104KA01D	K22124805		1-	A	C2	
C 4714	CHIP CAP.	0.001uF	50V	B	GRM188B11H102KA01D	K22174821		1-	A	C2	
C 4715	CHIP CAP.	1uF	16V	B	GRM42-6B105K16NPT	K22121803		1-	A	B1	
C 4716	AL.ELECTRO.CAP.	100uF	16V		ECEV1CA101WP	K48120012		1-	A	D2	
C 4717	CHIP CAP.	0.001uF	50V	B	GRM188B11H102KA01D	K22174821		1-	A	D1	
C 4718	CHIP CAP.	1uF	16V	B	GRM42-6B105K16NPT	K22121803		1-	A	C2	
C 4719	CHIP CAP.	0.01uF	50V	B	GRM188B11H103KA01D	K22174823		1-	A	D1	
C 4720	CHIP TA.CAP.	10uF	25V		TEMSVC1E106M12R	K78140021		1-	A	D2	
C 4721	CHIP CAP.	270pF	50V	CH	GRM1882C1H271JA01D	K22174251		1-	A	C2	
C 4722	CHIP CAP.	330pF	50V	CH	GRM1882C1H331JA01D	K22174253		1-	A	A2	
C 4723	CHIP CAP.	330pF	50V	CH	GRM1882C1H331JA01D	K22174253		1-	A	A2	
C 4724	CHIP CAP.	330pF	50V	CH	GRM1882C1H331JA01D	K22174253		1-	A	A2	
C 4725	CHIP TA.CAP.	10uF	25V		TEMSVC1E106M12R	K78140021		1-	A	D2	
C 4726	AL.ELECTRO.CAP.	220uF	25V		RE2-25V221MMA-T2	K46140006		1-	A	C3	
C 4727	CHIP CAP.	0.01uF	50V	B	GRM188B11H103KA01D	K22174823		1-	A	D2	
C 4728	CHIP CAP.	0.01uF	50V	B	GRM188B11H103KA01D	K22174823		1-	A	C2	
C 4729	AL.ELECTRO.CAP.	220uF	25V		RE2-25V221MMA-T2	K46140006		1-	A	B3	
C 4730	CHIP CAP.	0.01uF	50V	B	GRM188B11H103KA01D	K22174823		1-	A	D2	
C 4731	CHIP CAP.	0.1uF	25V	B	GRM40B104M25PT	K22140811		1-	A	B2	
C 4732	CHIP CAP.	0.1uF	16V	B	GRM188B11C104KA01D	K22124805		1-	A	B2	
C 4733	CHIP TA.CAP.	10uF	25V		TEMSVC1E106M12R	K78140021		1-	A	D2	
C 4734	CHIP CAP.	0.001uF	50V	B	GRM188B11H102KA01D	K22174821		1-	A	B2	
C 4735	CHIP CAP.	0.1uF	16V	B	GRM188B11C104KA01D	K22124805		1-	A	B2	
C 4736	CHIP CAP.	0.1uF	16V	B	GRM188B11C104KA01D	K22124805		1-	A	C1	
C 4737	CHIP TA.CAP.	10uF	25V		TEMSVC1E106M12R	K78140021		1-	A	A1	
C 4738	CHIP CAP.	0.01uF	50V	B	GRM188B11H103KA01D	K22174823		1-	A	A1	
C 4739	CHIP CAP.	0.01uF	50V	B	GRM188B11H103KA01D	K22174823		1-	A	A1	
C 4740	CHIP TA.CAP.	10uF	25V		TEMSVC1E106M12R	K78140021		1-	A	A1	
C 4741	CHIP TA.CAP.	10uF	25V		TEMSVC1E106M12R	K78140021		1-	A	D1	
C 4742	CHIP CAP.	0.01uF	50V	B	GRM188B11H103KA01D	K22174823		1-	A	D1	
C 4743	CHIP CAP.	0.01uF	50V	B	GRM188B11H103KA01D	K22174823		1-	A	C1	
C 4744	CHIP TA.CAP.	10uF	25V		TEMSVC1E106M12R	K78140021		1-	A	D1	
C 4745	CHIP CAP.	0.1uF	16V	B	GRM188B11C104KA01D	K22124805		1-	A	B2	
C 4746	CHIP CAP.	0.1uF	16V	B	GRM188B11C104KA01D	K22124805		1-	A	B1	
C 4747	CHIP CAP.	1uF	16V	B	GRM42-6B105K16NPT	K22121803		1-	A	B1	
C 4748	CHIP CAP.	0.001uF	50V	B	GRM188B11H102KA01D	K22174821		1-	A	B2	
C 4749	CHIP CAP.	0.01uF	50V	B	GRM188B11H103KA01D	K22174823		1-	A	D2	
C 4750	AL.ELECTRO.CAP.	100uF	16V		ECEV1CA101WP	K48120012		1-	A	D2	
C 4751	CHIP CAP.	0.1uF	16V	B	GRM188B11C104KA01D	K22124805		1-	A	B1	
C 4752	CHIP CAP.	0.1uF	16V	B	GRM188B11C104KA01D	K22124805		1-	A	D2	
C 4753	CHIP CAP.	0.001uF	50V	B	GRM188B11H102KA01D	K22174821		1-	A	D2	
C 4754	AL.ELECTRO.CAP.	100uF	16V		ECEV1CA101WP	K48120012		1-	A	D2	
C 4755	CHIP CAP.	1uF	16V	B	GRM42-6B105K16NPT	K22121803		1-	A	D2	
C 4756	CHIP CAP.	180pF	50V	CH	GRM1882C1H181JA01D	K22174241		1-	A	C2	
C 4758	CHIP CAP.	0.22uF	16V	B	GRM40B224M16PT	K22120806		1-	A	A1	
C 4759	CHIP CAP.	0.22uF	16V	B	GRM40B224M16PT	K22120806		1-	A	A1	
C 4760	CHIP CAP.	100pF	50V	CH	GRM1882C1H101JA01D	K22174235		1-	A	A1	
C 4761	AL.ELECTRO.CAP.	220uF	25V		RE2-25V221MMA-T2	K46140006		1-	A	C2	
C 4762	CHIP CAP.	0.01uF	50V	B	GRM188B11H103KA01D	K22174823		1-	A	C2	
C 4763	CHIP CAP.	1uF	16V	B	GRM42-6B105K16NPT	K22121803		1-	A	A1	
C 4765	AL.ELECTRO.CAP.	220uF	25V		RE2-25V221MMA-T2	K46140006		1-	A	C2	
C 4766	CHIP CAP.	0.1uF	25V	B	GRM40B104M25PT	K22140811		1-	A	C2	
C 4767	CHIP CAP.	0.001uF	50V	B	GRM188B11H102KA01D	K22174821		1-	A	C2	
C 4768	CHIP CAP.	0.1uF	25V	B	GRM40B104M25PT	K22140811		1-	A	A2	
C 4769	CHIP TA.CAP.	10uF	16V		TEMSVB21C106M-8R	K78120025		1-	A	A1	
C 4770	CHIP TA.CAP.	4.7uF	25V		TEMSVB21E475M-8R	K78140019		1-	A	A1	
C 4771	CHIP CAP.	0.1uF	25V	B	GRM40B104M25PT	K22140811		1-	A	A2	
C 4772	CHIP CAP.	0.1uF	25V	B	GRM40B104M25PT	K22140811		1-	A	A2	
C 4773	CHIP CAP.	0.1uF	16V	B	GRM188B11C104KA01D	K22124805		1-	A	A1	
D 4701	DIODE				1SS294 TE85R	G2070058		1-	A	C2	
D 4702	DIODE				1SS294 TE85R	G2070058		1-	A	C2	
D 4703	DIODE				MAZ80360LL	G2071000		1-	A	A2	

# LCD-CNTL Unit (D Type, TFT-9000)

## Parts List

REF	DESCRIPTION	VALUE	V/W	TOL.	MFR'S DESIG	VXSTD P/N	VERS.	LOT	SIDE	LAY ADR
J 4701	CONNECTOR				9637S-45-Y905	P1091171		1-	A	E2
J 4702	CONNECTOR				16FMN-SMT-A-TF	P1091238		1-	A	E1
J 4703	CONNECTOR				B5B-PH-SM3-TBT	P0091371		1-	A	B1
J 4705	CONNECTOR				9637S-20-Y905	P1091199		1-	A	A2
J 4706	CONNECTOR				9637S-45-Y905	P1091171		1-	A	B2
J 4707	CONNECTOR				IMSA 9210B-2-36-GF	P0091407		1-	A	D1
L 4701	M.RFC	3.9mH			RCR-875D-392K	L1190383		1-	A	D2
L 4702	M.RFC	470uH			RCR-875D-471K	L1190385		1-	A	C2
L 4703	M.RFC	3.9mH			RCR-875D-392K	L1190383		1-	A	C2
L 4704	M.RFC	3.9mH			RCR-875D-392K	L1190383		1-	A	D2
L 4705	M.RFC	470uH			RCR-875D-471K	L1190385		1-	A	D2
L 4706	M.RFC	3.9mH			RCR-875D-392K	L1190383		1-	A	C2
NF4701	EMI FILTER				MEM2012T50R0T	Q9000815		1-	A	B2
Q 4701	TRANSISTOR				2SD2403GY-T1	G3424038Y		1-	A	D1
Q 4702	IC				HA17431HLP	G1094059		1-	A	D1
Q 4703	IC				BH8100FV-E2	G1094128		1-	A	A1
Q 4704	IC				NJM072BV(TAPE)	G1094006		1-	A	A1
Q 4705	IC				NJM2360AM-TE1	G1093076		1-	A	C2
Q 4706	IC				SN74LVC2G04DBVR	G1094061		1-	A	C1
Q 4707	IC				S-812C53AUA-C3H-T2	G1094057		1-	A	D2
Q 4708	IC				LZ9JG17A	G1094005		1-	A	B1
Q 4709	IC				TA79L06F	G1094058		1-	A	A1
Q 4710	IC				S-812C33AUA-C2N-T2	G1094056		1-	A	D1
Q 4711	IC				SN74LVC1G06DBVR	G1094060		1-	A	B1
Q 4712	IC				NJM2360AM-TE1	G1093076		1-	A	D2
Q 4713	TRANSISTOR				2SD1664 T100 Q	G3416647Q		1-	A	A1
Q 4714	TRANSISTOR				2SB1132 T100 R	G3211327R		1-	A	A1
Q 4715	IC				LM2904PWR	G1094010		1-	A	B1
R 4701	CHIP RES.	4.7	1W	5%	RMC1 4R7JTE	J24305479		1-	A	B1
R 4702	CHIP RES.	100	1/16W	5%	RMC1/16 101JATP	J24185101		1-	A	B1
R 4703	CHIP RES.	680	1/4W	5%	RMC1/4 681JATP	J24245681		1-	A	E1
R 4704	CHIP RES.	4.7k	1/16W	5%	RMC1/16 472JATP	J24185472		1-	A	B1
R 4705	CHIP RES.	680	1/4W	5%	RMC1/4 681JATP	J24245681		1-	A	D1
R 4706	CHIP RES.	6.8k	1/16W	5%	RMC1/16 682JATP	J24185682		1-	A	B1
R 4707	CHIP RES.	680	1/4W	5%	RMC1/4 681JATP	J24245681		1-	A	D1
R 4708	CHIP RES.	100	1/4W	5%	RMC1/4 101JATP	J24245101		1-	A	D1
R 4709	CHIP RES.	0	1/4W	5%	RMC1/4 000JATP	J24245000		1-	A	D2
R 4710	CHIP RES.	10k	1/16W	5%	RMC1/16 103JATP	J24185103		1-	A	B1
R 4715	CHIP RES.	2.2k	1/16W	5%	RMC1/16 222JATP	J24185222		1-	A	D1
R 4718	CHIP RES.	4.7k	1/16W	5%	RMC1/16 472JATP	J24185472		1-	A	B1
R 4719	CHIP RES.	4.7k	1/16W	5%	RMC1/16 472JATP	J24185472		1-	A	B1
R 4723	CHIP RES.	12k	1/16W	0.5%	RGC1/16C123DTP	J24189402		1-	A	D1
R 4724	CHIP RES.	7.5k	1/16W	0.5%	RGC1/16C752DTP	J24189399		1-	A	D1
R 4725	CHIP RES.	0	1/10W	5%	RMC1/10T 000J	J24205000		1-	A	D1
R 4726	CHIP RES.	1	1/10W	5%	RMC1/10T 1R0J	J24205010		1-	A	C2
R 4727	CHIP RES.	1	1/10W	5%	RMC1/10T 1R0J	J24205010		1-	A	C2
R 4728	CHIP RES.	13k	1/16W	0.5%	RGC1/16C133DTP	J24189403		1-	A	C2
R 4729	CHIP RES.	1k	1/16W	0.5%	RGC1/16C102DTP	J24189398		1-	A	C2
R 4730	CHIP RES.	33	1/16W	5%	RMC1/16 330JATP	J24185330		1-	A	C1
R 4731	CHIP RES.	100	1/4W	5%	RMC1/4 101JATP	J24245101		1-	A	D2
R 4732	CHIP RES.	33	1/16W	5%	RMC1/16 330JATP	J24185330		1-	A	C1
R 4733	CHIP RES.	33	1/16W	5%	RMC1/16 330JATP	J24185330		1-	A	C1
R 4734	CHIP RES.	33	1/16W	5%	RMC1/16 330JATP	J24185330		1-	A	D1
R 4735	CHIP RES.	22k	1/16W	5%	RMC1/16 223JATP	J24185223		1-	A	C2
R 4736	CHIP RES.	22k	1/16W	5%	RMC1/16 223JATP	J24185223		1-	A	C1
R 4737	CHIP RES.	22k	1/16W	5%	RMC1/16 223JATP	J24185223		1-	A	C1
R 4738	CHIP RES.	22k	1/16W	5%	RMC1/16 223JATP	J24185223		1-	A	C1
R 4739	CHIP RES.	100	1/4W	5%	RMC1/4 101JATP	J24245101		1-	A	A1
R 4740	CHIP RES.	100	1/4W	5%	RMC1/4 101JATP	J24245101		1-	A	D1
R 4741	CHIP RES.	100k	1/16W	5%	RMC1/16 104JATP	J24185104		1-	A	B1
R 4742	CHIP RES.	22k	1/16W	5%	RMC1/16 223JATP	J24185223		1-	A	B1
R 4744	CHIP RES.	22k	1/16W	5%	RMC1/16 223JATP	J24185223		1-	A	B1
R 4746	CHIP RES.	10k	1/16W	5%	RMC1/16 103JATP	J24185103		1-	A	B1
R 4747	CHIP RES.	47k	1/16W	5%	RMC1/16 473JATP	J24185473		1-	A	B2
R 4748	CHIP RES.	0	1/10W	5%	RMC1/10T 000J	J24205000		1-	A	E2
R 4749	CHIP RES.	47	1/16W	5%	RMC1/16 470JATP	J24185470		1-	A	C2
R 4750	CHIP RES.	47	1/16W	5%	RMC1/16 470JATP	J24185470		1-	A	C2
R 4751	CHIP RES.	47	1/16W	5%	RMC1/16 470JATP	J24185470		1-	A	C2
R 4752	CHIP RES.	47	1/16W	5%	RMC1/16 470JATP	J24185470		1-	A	B2
R 4753	CHIP RES.	47	1/16W	5%	RMC1/16 470JATP	J24185470		1-	A	B2
R 4754	CHIP RES.	47	1/16W	5%	RMC1/16 470JATP	J24185470		1-	A	B2
R 4755	CHIP RES.	47	1/16W	5%	RMC1/16 470JATP	J24185470		1-	A	B2
R 4756	CHIP RES.	47	1/16W	5%	RMC1/16 470JATP	J24185470		1-	A	A2



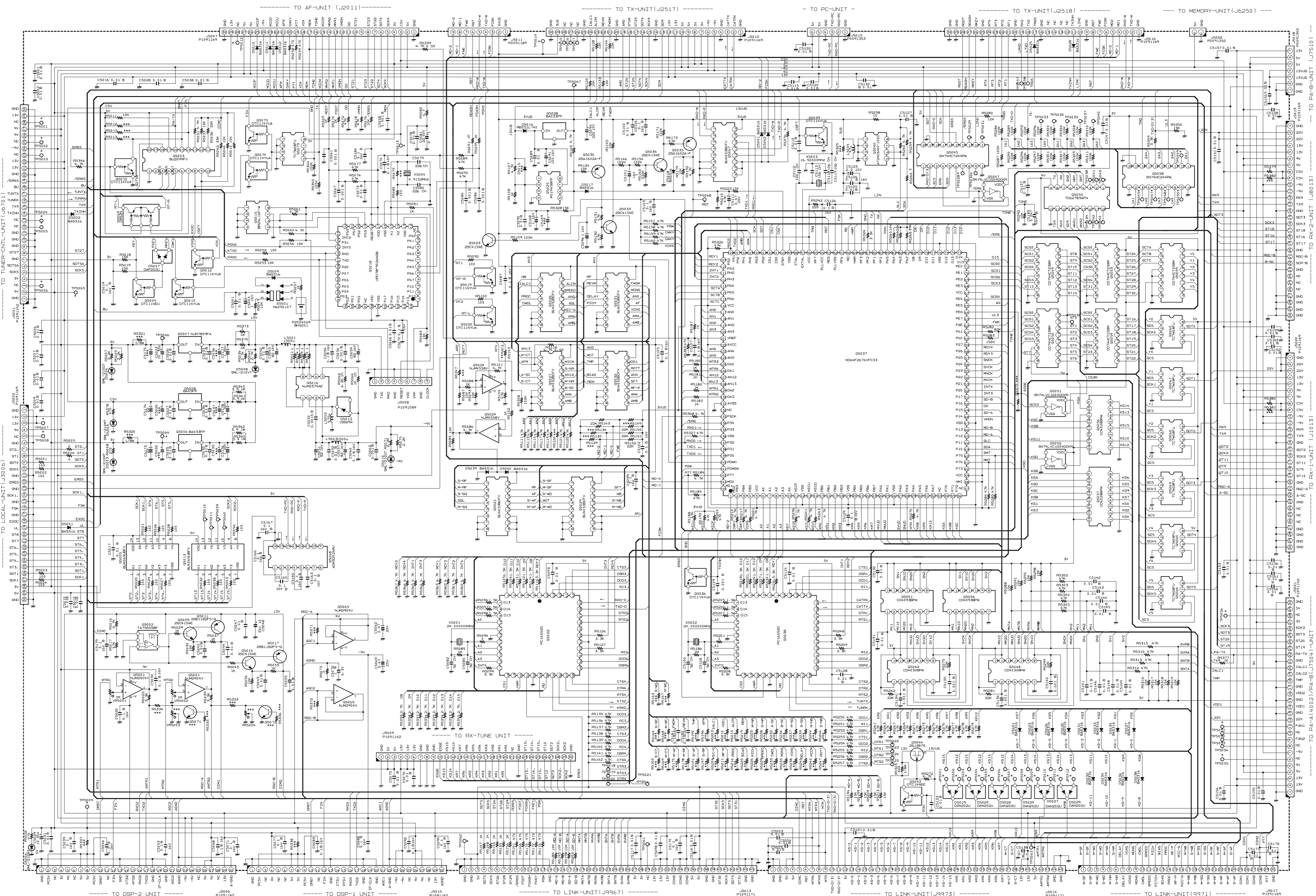
# LCD-CNTL Unit (D Type, TFT-9000)

## Parts List

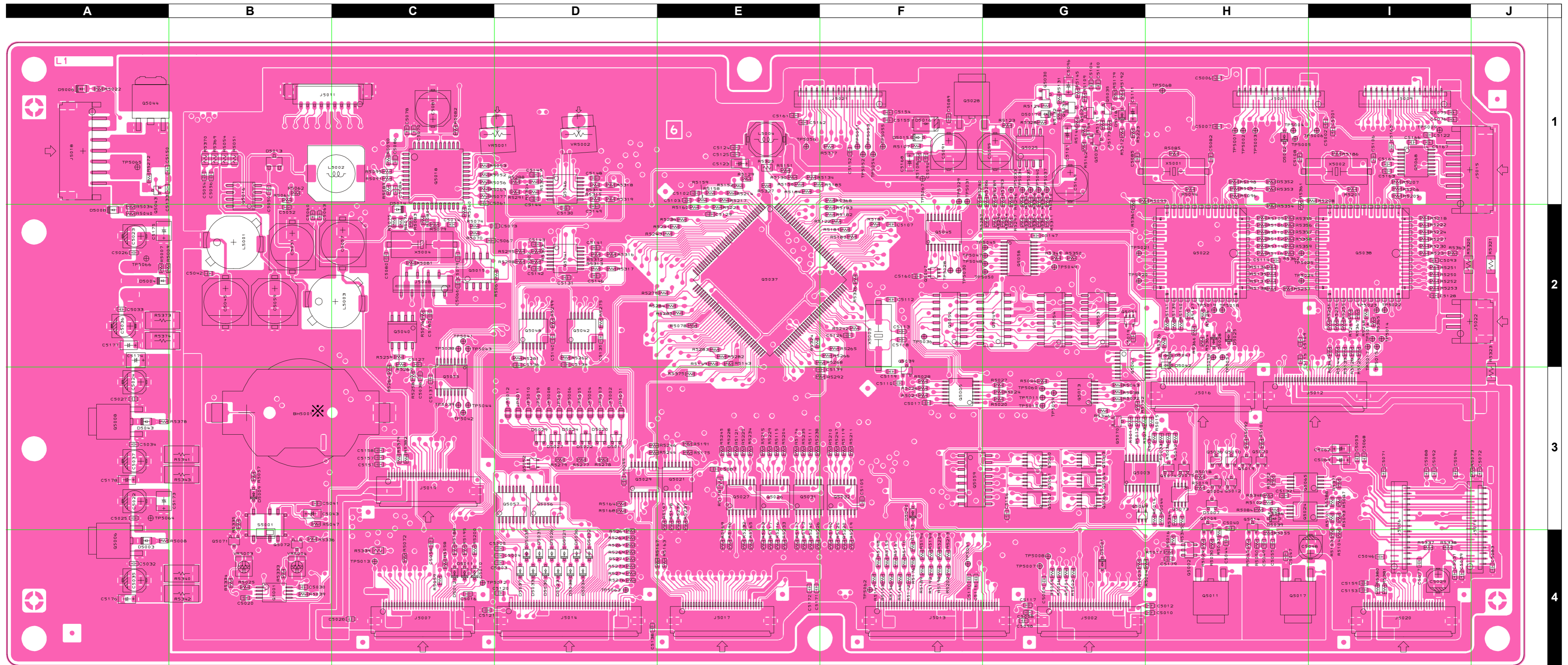
REF	DESCRIPTION	VALUE	V/W	TOL.	MFR'S DESIG	VXSTD P/N	VERS.	LOT	SIDE	LAY ADR
R 4757	CHIP RES.	47	1/16W	5%	RMC1/16 470JATP	J24185470		1-	A	A2
R 4758	CHIP RES.	47k	1/16W	5%	RMC1/16 473JATP	J24185473		1-	A	B2
R 4759	CHIP RES.	1k	1/16W	5%	RMC1/16 102JATP	J24185102		1-	A	A1
R 4760	CHIP RES.	10k	1/16W	0.5%	RGC1/16C103DTP	J24189400		1-	A	A1
R 4761	CHIP RES.	4.7k	1/16W	5%	RMC1/16 472JATP	J24185472		1-	A	A1
R 4762	CHIP RES.	4.7	1/10W	5%	RMC1/10T 4R7J	J24205479		1-	A	D2
R 4763	CHIP RES.	180	1/10W	5%	RMC1/10T 181J	J24205181		1-	A	D2
R 4764	CHIP RES.	4.7	1/10W	5%	RMC1/10T 4R7J	J24205479		1-	A	D2
R 4765	CHIP RES.	1k	1/16W	5%	RMC1/16 102JATP	J24185102		1-	A	A1
R 4766	CHIP RES.	1k	1/16W	0.5%	RGC1/16C102DTP	J24189398		1-	A	D2
R 4767	CHIP RES.	11k	1/16W	0.5%	RGC1/16C113DTP	J24189401		1-	A	D2
R 4768	CHIP RES.	12k	1/16W	0.5%	RGC1/16C123DTP	J24189402		1-	A	A1
R 4769	CHIP RES.	47	1/16W	0.5%	RGC1/16C470DTP	J24189396		1-	A	A1
R 4770	CHIP RES.	750	1/16W	0.5%	RGC1/16C751DTP	J24189397		1-	A	A1
R 4771	CHIP RES.	1k	1/16W	0.5%	RGC1/16C102DTP	J24189398		1-	A	A1
R 4772	CHIP RES.	0	1/16W	5%	RMC1/16 000JATP	J24185000		1-	A	A1
R 4773	CHIP RES.	5.1k	1/16W	5%	RMC1/16 512JATP	J24185512		1-	A	A2
R 4774	CHIP RES.	22k	1/16W	0.5%	RGC1/16C223DTP	J24189405		1-	A	A1
R 4775	CHIP RES.	22k	1/16W	0.5%	RGC1/16C223DTP	J24189405		1-	A	A1
R 4776	CHIP RES.	7.5k	1/16W	0.5%	RGC1/16C752DTP	J24189399		1-	A	A2
R 4777	CHIP RES.	18k	1/16W	0.5%	RGC1/16C183DTP	J24189404		1-	A	A2
RB4701	BLOCK RES.				MNR14E0ABJ330	J42900036		1-	A	C1
RB4702	BLOCK RES.				MNR14E0ABJ330	J42900036		1-	A	C1
RB4703	BLOCK RES.				MNR14E0ABJ330	J42900036		1-	A	C1
RB4704	BLOCK RES.				MNR14E0ABJ330	J42900036		1-	A	C1
RB4705	BLOCK RES.				MNR14E0ABJ330	J42900036		1-	A	C1
RB4706	BLOCK RES.				MNR14E0ABJ470	J42900037		1-	A	B1
RB4707	BLOCK RES.				MNR14E0ABJ470	J42900037		1-	A	B2
RB4708	BLOCK RES.				MNR14E0ABJ470	J42900037		1-	A	B2
RB4709	BLOCK RES.				MNR14E0ABJ470	J42900037		1-	A	B1
RB4710	BLOCK RES.				MNR14E0ABJ470	J42900037		1-	A	B1
VR4701	POT.	10k			EVN-5ESX50B14	J51811103		1-	A	B1
VR4702	POT.	2.2k			EVN-5ESX50BE3	J51811222		1-	A	A1
	PORON SHEET LEAD CLAMP				(PCB-F) L=55	RA0718300 S5000010		1- 1-		

# *LCD-CNTL Unit (D Type, TFT-9000)*

*Note*

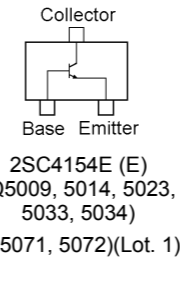
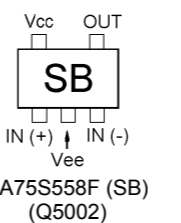
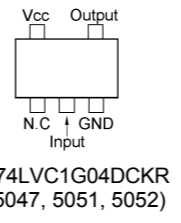
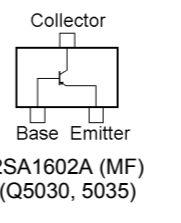
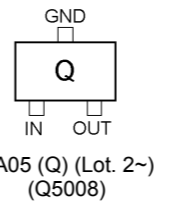
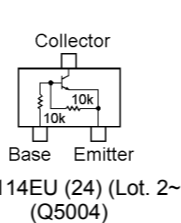
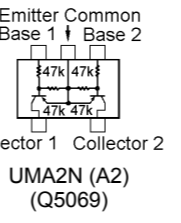
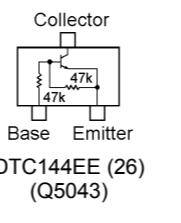
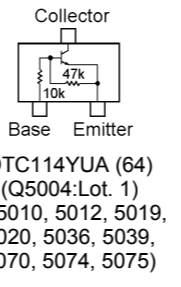
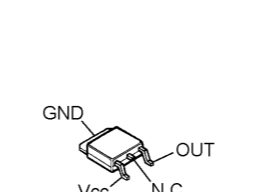
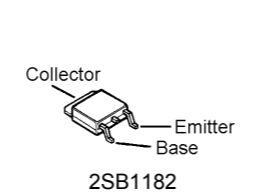
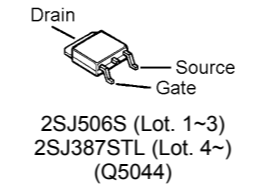
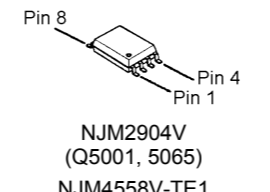
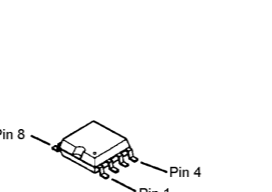
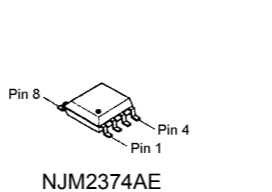
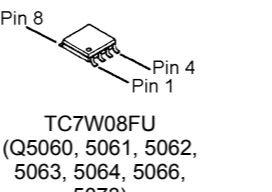
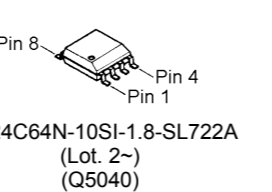
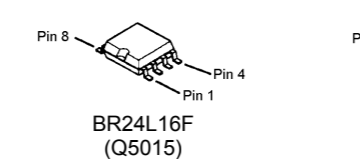
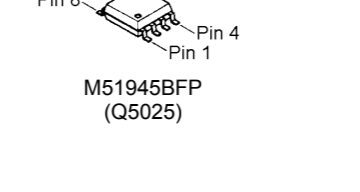
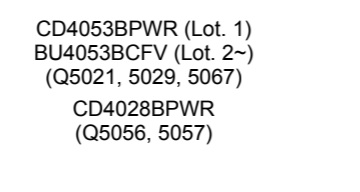
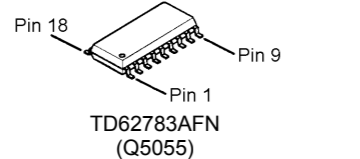
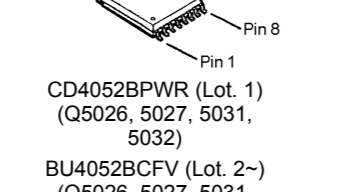
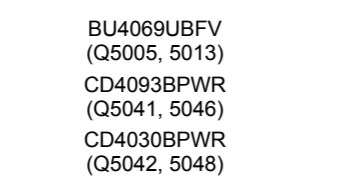
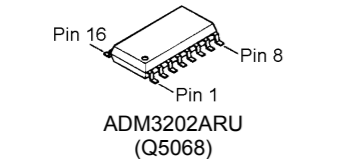
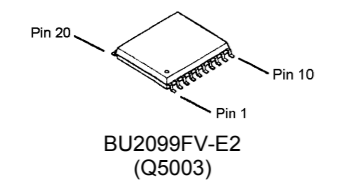
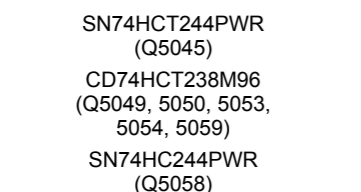
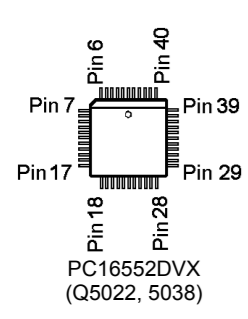
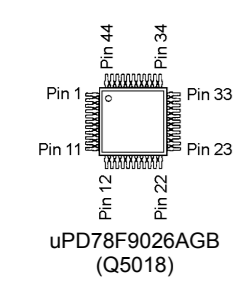
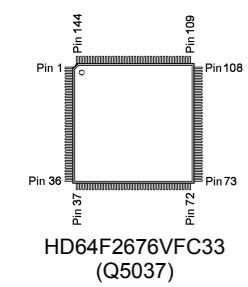


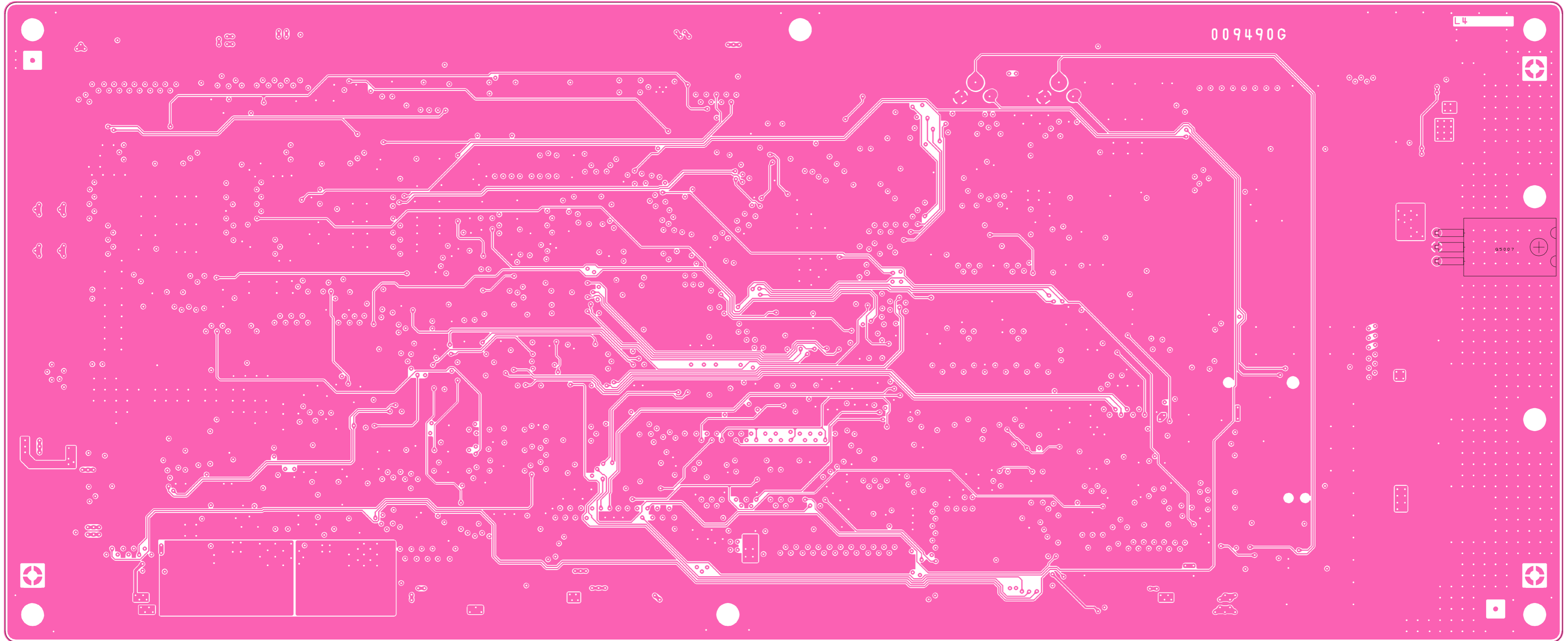




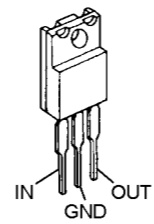
Side A

**⊗ : Caution**  
 Danger of explosion if battery is incorrectly replaced.  
 Replace only with the same or equivalent type.





Side B



uPC2409AHF (Lot. 1~2)  
NJM7809FA (Lot. 3~)  
(Q5007)

REF	DESCRIPTION	VALUE	V/W	TOL.	MFR'S DESIG	VXSTD P/N	VERS.	LOT	SIDE	LAY ADR
	PCB with Components	200W UMBER, W/O DUAL RX, USA, W/O MEMORY				CB2365004				
	PCB with Components	200W UMBER, W/O DUAL RX EXP, W/O MEMORY				CB2365005				
	PCB with Components	200W UMBER, W/O DUAL RX EU, W/O MEMORY				CB2365006				
	PCB with Components	200W UMBER, W/O DUAL RX UK, W/O MEMORY				CB2365007				
	PCB with Components	200W UMBER, W/O DUAL RX FRA, W/O MEMORY				CB2365008				
	PCB with Components	200W UMBER, W/O DUAL RX FRG, W/O MEMORY				CB2365009				
	PCB with Components	200W UMBER, W/O DUAL RX AUS, W/O MEMORY				CB2365010				
	PCB with Components	200W BLUE, W/O DUAL RX, USA, W/O MEMORY				CB2365012				
	PCB with Components	200W BLUE, W/O DUAL RX, EXP, W/O MEMORY				CB2365013				
	PCB with Components	200W BLUE, W/O DUAL RX, EU, W/O MEMORY				CB2365014				
	PCB with Components	200W BLUE, W/O DUAL RX, UK, W/O MEMORY				CB2365015				
	PCB with Components	200W BLUE, W/O DUAL RX, FRA, W/O MEMORY				CB2365016				
	PCB with Components	200W BLUE, W/O DUAL RX, FRG, W/O MEMORY				CB2365017				
	PCB with Components	200W BLUE, W/O DUAL RX, AUS, W/O MEMORY				CB2365018				
	PCB with Components	200W UMBER, W/ DUAL RX, USA, W/ MEMORY				CB2365020				
	PCB with Components	200W UMBER, W/ DUAL RX, EXP, W/ MEMORY				CB2365021				
	PCB with Components	200W UMBER, W/ DUAL RX, EU, W/ MEMORY				CB2365022				
	PCB with Components	200W UMBER, W/ DUAL RX, UK, W/ MEMORY				CB2365023				
	PCB with Components	200W UMBER, W/ DUAL RX, FRA, W/ MEMORY				CB2365024				
	PCB with Components	200W UMBER, W/ DUAL RX, FRG, W/ MEMORY				CB2365025				
	PCB with Components	200W UMBER, W/ DUAL RX, AUS, W/ MEMORY				CB2365026				
	PCB with Components	200W BLUE, W/ DUAL RX, USA, W/ MEMORY				CB2365028				
	PCB with Components	200W BLUE, W/ DUAL RX, EXP, W/ MEMORY				CB2365029				
	PCB with Components	200W BLUE, W/ DUAL RX, EU W/ MEMORY				CB2365030				
	PCB with Components	200W BLUE, W/ DUAL RX, UK W/ MEMORY				CB2365031				
	PCB with Components	200W BLUE, W/ DUAL RX, FRA, W/ MEMORY				CB2365032				
	PCB with Components	200W BLUE, W/ DUAL RX, FRG, W/ MEMORY				CB2365033				
	PCB with Components	200W BLUE, W/ DUAL RX, AUS, W/ MEMORY				CB2365034				
	PCB with Components	400W UMBER, W/ DUAL RX, USA, W/ MEMORY				CB2365036				
	PCB with Components	400W UMBER, W/ DUAL RX, EXP, W/ MEMORY				CB2365037				
	PCB with Components	400W UMBER, W/ DUAL RX, EU, W/ MEMORY				CB2365038				
	PCB with Components	400W UMBER, W/ DUAL RX, UK, W/ MEMORY				CB2365039				
	PCB with Components	400W UMBER, W/ DUAL RX, FRA, W/ MEMORY				CB2365040				
	PCB with Components	400W UMBER, W/ DUAL RX, FRG, W/ MEMORY				CB2365041				
	PCB with Components	400W UMBER, W/ DUAL RX, AUS, W/ MEMORY				CB2365042				
	PCB with Components	400W BLUE, W/ DUAL RX, USA, W/ MEMORY				CB2365044				
	PCB with Components	400W BLUE, W/ DUAL RX, EXP, W/ MEMORY				CB2365045				
	PCB with Components	400W BLUE, W/ DUAL RX, EU, W/ MEMORY				CB2365046				
	PCB with Components	400W BLUE, W/ DUAL RX, UK, W/ MEMORY				CB2365047				
	PCB with Components	400W BLUE, W/ DUAL RX, FRA, W/ MEMORY				CB2365048				
	PCB with Components	400W BLUE, W/ DUAL RX, FRG, W/ MEMORY				CB2365049				
	PCB with Components	400W BLUE, W/ DUAL RX, AUS, W/ MEMORY				CB2365050				
	Printed Circuit Board					FR009490E FR009490F FR009490G		1 2- 4-		
BH5001	BATT.HOLDER				20H-1T	P2000069		1-	A	B3
BT5001	LITHIUM BATT.				CR2032	Q9000564		1-		
C 5001	CHIP CAP.	0.01uF	50V	B	GRM188B11H103KA01D	K22174823		1-	A	I1
C 5002	CHIP CAP.	0.01uF	50V	B	GRM188B11H103KA01D	K22174823		1-	A	I1
C 5003	CHIP CAP.	0.01uF	50V	B	GRM188B11H103KA01D	K22174823		1-	A	D4
C 5004	CHIP CAP.	0.01uF	50V	B	GRM188B11H103KA01D	K22174823		1-	A	D4
C 5005	CHIP CAP.	0.01uF	50V	B	GRM188B11H103KA01D	K22174823		1-	A	D4
C 5006	CHIP CAP.	0.01uF	50V	B	GRM188B11H103KA01D	K22174823		1-	A	H1
C 5007	CHIP CAP.	0.01uF	50V	B	GRM188B11H103KA01D	K22174823		1-	A	H1
C 5008	CHIP CAP.	0.01uF	50V	B	GRM188B11H103KA01D	K22174823		1-	A	G4
C 5009	CHIP CAP.	0.01uF	50V	B	GRM188B11H103KA01D	K22174823		1-	A	G4
C 5010	CHIP CAP.	0.01uF	50V	B	GRM188B11H103KA01D	K22174823		1-	A	H4
C 5012	CHIP CAP.	0.01uF	50V	B	GRM188B11H103KA01D	K22174823		1-	A	H4
C 5016	CHIP CAP.	0.01uF	50V	B	GRM188B11H103KA01D	K22174823		1-	A	C4
C 5017	CHIP CAP.	0.01uF	50V	B	GRM188B11H103KA01D	K22174823		1-	A	F3
C 5019	CHIP CAP.	0.1uF	16V	B	GRM188B11C104KA01D	K22124805		1-	A	G2
C 5020	CHIP CAP.	0.1uF	16V	B	GRM188B11C104KA01D	K22124805		1-	A	B4
C 5023	AL.ELECTRO.CAP.	10uF	35V		ECEV1VA100WR	K48160004		1-	A	A2
C 5025	CHIP CAP.	0.01uF	50V	B	GRM188B11H103KA01D	K22174823		1-	A	A3
C 5026	CHIP CAP.	0.01uF	50V	B	GRM188B11H103KA01D	K22174823		1-	A	A2
C 5027	CHIP CAP.	0.01uF	50V	B	GRM188B11H103KA01D	K22174823		1-	A	A3
C 5028	CHIP CAP.	0.01uF	50V	B	GRM188B11H103KA01D	K22174823		1-	A	C4
C 5029	AL.ELECTRO.CAP.	10uF	35V		ECEV1VA100WR	K48160004		1-	A	I4
C 5030	CHIP CAP.	0.1uF	16V	B	GRM188B11C104KA01D	K22124805		1-	A	B4
C 5031	CHIP CAP.	0.01uF	50V	B	GRM188B11H103KA01D	K22174823		1-	A	I4
C 5032	CHIP CAP.	0.01uF	50V	B	GRM188B11H103KA01D	K22174823		1-	A	A4
C 5033	CHIP CAP.	0.01uF	50V	B	GRM188B11H103KA01D	K22174823		1-	A	A2
C 5034	CHIP CAP.	0.01uF	50V	B	GRM188B11H103KA01D	K22174823		1-	A	A3

# CNTL Unit

## Parts List

REF	DESCRIPTION	VALUE	V/W	TOL.	MFR'S DESIG	VXSTD P/N	VERS.	LOT	SIDE	LAY ADR
C 5038	CHIP CAP.	0.01uF	50V	B	GRM188B11H103KA01D	K22174823		1-	A	C3
C 5039	CHIP CAP.	0.1uF	16V	B	GRM188B11C104KA01D	K22124805		1-	A	I4
C 5040	CHIP CAP.	0.01uF	50V	B	GRM188B11H103KA01D	K22174823		1-	A	H3
C 5041	CHIP CAP.	0.01uF	50V	B	GRM188B11H103KA01D	K22174823		1-	A	B3
C 5042	CHIP CAP.	0.01uF	50V	B	GRM188B11H103KA01D	K22174823		1-	A	B2
C 5043	CHIP TA.CAP.	1uF	16V		TESVA1C105M1-8R	K78120009		1-	A	B3
C 5044	CHIP CAP.	0.01uF	50V	B	GRM188B11H103KA01D	K22174823		1-	A	H4
C 5045	AL.ELECTRO.CAP.	82uF	16V		PXA16VC82MH70	K48120022		1-	A	B2
C 5046	CHIP CAP.	0.1uF	16V	B	GRM188B11C104KA01D	K22124805		1-	A	I4
C 5047	CHIP CAP.	0.01uF	50V	B	GRM188B11H103KA01D	K22174823		1-	A	H4
C 5048	AL.ELECTRO.CAP.	10uF	35V		ECEV1VA100WR	K48160004		1-	A	I4
C 5049	CHIP CAP.	0.01uF	50V	B	GRM188B11H103KA01D	K22174823		1-	A	H4
C 5050	CHIP CAP.	0.0015uF	50V	B	GRM188B11H152KA01D	K22174827		1-	A	B1
C 5051	AL.ELECTRO.CAP.	82uF	16V		PXA16VC82MH70	K48120022		1-	A	B2
C 5052	CHIP CAP.	0.01uF	50V	B	GRM188B11H103KA01D	K22174823		1-	A	B2
C 5053	CHIP CAP.	0.1uF	16V	B	GRM188B11C104KA01D	K22124805		1-	A	I3
C 5054	CHIP CAP.	0.1uF	16V	B	GRM188B11C104KA01D	K22124805		1-	A	B1
C 5055	CHIP CAP.	0.01uF	50V	B	GRM188B11H103KA01D	K22174823		1-	A	H4
C 5056	CHIP CAP.	0.001uF	50V	B	GRM188B11H102KA01D	K22174821		1-	A	B1
C 5057	AL.ELECTRO.CAP.	82uF	16V		PXA16VC82MH70	K48120022		1-	A	C2
C 5058	CHIP CAP.	0.001uF	50V	B	GRM188B11H102KA01D	K22174821		1-	A	C4
C 5059	AL.ELECTRO.CAP.	82uF	16V		PXA16VC82MH70	K48120022		1-	A	B2
C 5060	CHIP CAP.	0.1uF	16V	B	GRM188B11C104KA01D	K22124805		1-	A	B2
C 5061	CHIP CAP.	0.001uF	50V	B	GRM188B11H102KA01D	K22174821		1-	A	C1
C 5062	CHIP TA.CAP.	0.47uF	25V		TESVA1E474M1-8R	K78140009		1-	A	I3
C 5063	CHIP CAP.	0.001uF	50V	B	GRM188B11H102KA01D	K22174821		1-	A	B2
C 5064	CHIP CAP.	0.1uF	25V	B	GRM40B104M25PT	K22140811		1		
C 5065	CHIP CAP.	0.1uF	25V	B	GRM40B104M25PT	K22140811		1		
C 5066	CHIP CAP.	0.01uF	50V	B	GRM188B11H103KA01D	K22174823		1-	A	C2
C 5067	CHIP CAP.	0.001uF	50V	B	GRM188B11H102KA01D	K22174821		1-	A	C2
C 5068	CHIP CAP.	0.1uF	16V	B	GRM188B11C104KA01D	K22124805		1-	A	I3
C 5069	CHIP TA.CAP.	0.47uF	25V		TESVA1E474M1-8R	K78140009		1-	A	I3
C 5070	CHIP CAP.	0.1uF	16V	B	GRM188B11C104KA01D	K22124805		1-	A	C1
C 5071	CHIP CAP.	0.1uF	16V	B	GRM188B11C104KA01D	K22124805		1-	A	I3
C 5072	CHIP CAP.	1uF	6.3V	B	GRM188B10J105KA01D	K22084801		1-	A	J3
C 5073	CHIP CAP.	0.01uF	50V	B	GRM188B11H103KA01D	K22174823		1-	A	D2
C 5074	CHIP CAP.	0.1uF	16V	B	GRM188B11C104KA01D	K22124805		1-	A	C2
C 5075	CHIP CAP.	0.01uF	50V	B	GRM188B11H103KA01D	K22174823		1-	A	I1
C 5076	CHIP CAP.	0.01uF	50V	B	GRM188B11H103KA01D	K22174823		1-	A	I1
C 5077	CHIP CAP.	0.1uF	16V	B	GRM188B11C104KA01D	K22124805		1-	A	I4
C 5078	CHIP CAP.	0.01uF	50V	B	GRM188B11H103KA01D	K22174823		1-	A	C1
C 5079	CHIP CAP.	22pF	50V	CH	GRM1882C1H220JA01D	K22174219		1-	A	C2
C 5080	CHIP CAP.	22pF	50V	CH	GRM1882C1H220JA01D	K22174219		1-	A	C2
C 5081	AL.ELECTRO.CAP.	22uF	50V		ECEV1HA220WP	K48170018		1-	A	C1
C 5082	CHIP CAP.	5pF	50V	CH	GRM1882C1H5R0CZ01D	K22174206		1-	A	H1
C 5083	CHIP CAP.	0.1uF	16V	B	GRM188B11C104KA01D	K22124805		1-	A	J4
C 5084	CHIP CAP.	0.001uF	50V	B	GRM188B11H102KA01D	K22174821		1-	A	C1
C 5085	CHIP CAP.	5pF	50V	CH	GRM1882C1H5R0CZ01D	K22174206		1-	A	G1
C 5086	CHIP CAP.	0.001uF	50V	B	GRM188B11H102KA01D	K22174821		1-	A	C1
C 5087	CHIP CAP.	0.1uF	16V	B	GRM188B11C104KA01D	K22124805		1-	A	E3
C 5088	CHIP CAP.	0.1uF	16V	B	GRM188B11C104KA01D	K22124805		1-	A	I3
C 5089	CHIP CAP.	0.01uF	50V	B	GRM188B11H103KA01D	K22174823		1-	A	F1
C 5090	CHIP CAP.	0.01uF	50V	B	GRM188B11H103KA01D	K22174823		1-	A	F1
C 5091	AL.ELECTRO.CAP.	100uF	16V		ECEV1CA101WP	K48120012		1-	A	F1
C 5092	CHIP CAP.	0.1uF	16V	B	GRM188B11C104KA01D	K22124805		1-	A	I3
C 5093	CHIP CAP.	0.01uF	50V	B	GRM188B11H103KA01D	K22174823		1-	A	I2
C 5094	CHIP CAP.	0.1uF	16V	B	GRM188B11C104KA01D	K22124805		1-	A	I3
C 5095	AL.ELECTRO.CAP.	220uF	10V		EEE1AA221XP	K48100007		1-	A	G1
C 5096	CHIP TA.CAP.	1uF	16V		TESVA1C105M1-8R	K78120009		1-	A	G1
C 5098	CHIP CAP.	0.01uF	50V	B	GRM188B11H103KA01D	K22174823		1-	A	G4
C 5099	CHIP CAP.	0.1uF	16V	B	GRM188B11C104KA01D	K22124805		1-	A	D3
C 5100	CHIP CAP.	0.01uF	50V	B	GRM188B11H103KA01D	K22174823		1-	A	G1
C 5101	CHIP TA.CAP.	1uF	16V		TESVA1C105M1-8R	K78120009		1-	A	G1
C 5102	CHIP CAP.	0.1uF	16V	B	GRM188B11C104KA01D	K22124805		1-	A	E1
C 5103	CHIP CAP.	0.1uF	16V	B	GRM188B11C104KA01D	K22124805		1-	A	E1
C 5104	CHIP CAP.	0.1uF	16V	B	GRM188B11C104KA01D	K22124805		1-	A	G1
C 5105	CHIP CAP.	0.1uF	16V	B	GRM188B11C104KA01D	K22124805		1-	A	F3
C 5106	CHIP CAP.	5pF	50V	CH	GRM1882C1H5R0CZ01D	K22174206		1-	A	I1
C 5107	CHIP CAP.	0.1uF	16V	B	GRM188B11C104KA01D	K22124805		1-	A	F2
C 5108	CHIP CAP.	5pF	50V	CH	GRM1882C1H5R0CZ01D	K22174206		1-	A	H1
C 5109	CHIP CAP.	0.001uF	50V	B	GRM188B11H102KA01D	K22174821		1-	A	H2
C 5110	CHIP CAP.	0.01uF	50V	B	GRM188B11H103KA01D	K22174823		1-	A	F3
C 5111	CHIP TA.CAP.	0.47uF	25V		TESVA1E474M1-8R	K78140009		1-	A	G1



# CNTL Unit

## Parts List

REF	DESCRIPTION	VALUE	V/W	TOL.	MFR'S DESIG	VXSTD P/N	VERS.	LOT	SIDE	LAY ADR
C 5112	CHIP CAP.	10pF	50V	CH	GRM1882C1H100JA01D	K22174211		1-	A	F2
C 5113	CHIP CAP.	10pF	50V	CH	GRM1882C1H100JA01D	K22174211		1-	A	F2
C 5114	CHIP CAP.	0.01uF	50V	B	GRM188B11H103KA01D	K22174823		1-	A	H2
C 5115	CHIP CAP.	0.01uF	50V	B	GRM188B11H103KA01D	K22174823		1-	A	H2
C 5116	CHIP CAP.	0.01uF	50V	B	GRM188B11H103KA01D	K22174823		1-	A	F4
C 5117	CHIP CAP.	0.01uF	50V	B	GRM188B11H103KA01D	K22174823		1-	A	G4
C 5118	CHIP CAP.	10pF	50V	CH	GRM1882C1H100JA01D	K22174211		1-	A	F2
C 5119	CHIP CAP.	10pF	50V	CH	GRM1882C1H100JA01D	K22174211		1-	A	F3
C 5120	CHIP CAP.	0.01uF	50V	B	GRM188B11H103KA01D	K22174823		1-	A	D4
C 5121	CHIP CAP.	0.01uF	50V	B	GRM188B11H103KA01D	K22174823		1-	A	C4
C 5122	CHIP CAP.	0.01uF	50V	B	GRM188B11H103KA01D	K22174823		1-	A	I1
C 5123	CHIP TA.CAP.	2.2uF	10V		TESVA1A225M1-8R	K78100021		1-	A	E1
C 5124	CHIP CAP.	0.1uF	16V	B	GRM188B11C104KA01D	K22124805		1-	A	E1
C 5125	CHIP CAP.	0.01uF	50V	B	GRM188B11H103KA01D	K22174823		1-	A	E1
C 5126	CHIP CAP.	0.1uF	16V	B	GRM188B11C104KA01D	K22124805		1-	A	F2
C 5127	CHIP CAP.	0.01uF	50V	B	GRM188B11H103KA01D	K22174823		1-	A	C2
C 5128	CHIP CAP.	0.01uF	50V	B	GRM188B11H103KA01D	K22174823		1-	A	I2
C 5129	CHIP CAP.	0.1uF	16V	B	GRM188B11C104KA01D	K22124805		1-	A	E2
C 5130	CHIP CAP.	0.01uF	50V	B	GRM188B11H103KA01D	K22174823		1-	A	D2
C 5131	CHIP CAP.	0.01uF	50V	B	GRM188B11H103KA01D	K22174823		1-	A	D2
C 5132	CHIP CAP.	0.01uF	50V	B	GRM188B11H103KA01D	K22174823		1-	A	H3
C 5133	CHIP CAP.	0.01uF	50V	B	GRM188B11H103KA01D	K22174823		1-	A	A1
C 5134	CHIP CAP.	0.001uF	50V	B	GRM188B11H102KA01D	K22174809		1-	A	D2
C 5135	CHIP CAP.	0.001uF	50V	B	GRM188B11H102KA01D	K22174809		1-	A	D2
C 5136	CHIP CAP.	0.001uF	50V	B	GRM188B11H102KA01D	K22174809		1-	A	D2
C 5137	CHIP CAP.	0.01uF	50V	B	GRM188B11H103KA01D	K22174823		1-	A	C3
C 5138	CHIP CAP.	0.01uF	50V	B	GRM188B11H103KA01D	K22174823		1-	A	D4
C 5139	CHIP CAP.	0.047uF	16V	B	GRM39B473K16PT	K22124804		1-	A	F3
C 5140	CHIP CAP.	0.001uF	50V	B	GRM188B11H102KA01D	K22174809		1-	A	D2
C 5141	CHIP CAP.	0.01uF	50V	B	GRM188B11H103KA01D	K22174823		1-	A	D2
C 5142	CHIP CAP.	0.01uF	50V	B	GRM188B11H103KA01D	K22174823		1-	A	D2
C 5143	CHIP CAP.	0.01uF	50V	B	GRM188B11H103KA01D	K22174823		1-	A	D2
C 5144	CHIP CAP.	0.01uF	50V	B	GRM188B11H103KA01D	K22174823		1-	A	D1
C 5145	CHIP CAP.	0.01uF	50V	B	GRM188B11H103KA01D	K22174823		1-	A	D1
C 5146	CHIP CAP.	0.01uF	50V	B	GRM188B11H103KA01D	K22174823		1-	A	D2
C 5147	CHIP CAP.	0.01uF	50V	B	GRM188B11H103KA01D	K22174823		1-	A	G2
C 5148	CHIP CAP.	0.01uF	50V	B	GRM188B11H103KA01D	K22174823		1-	A	D1
C 5149	CHIP CAP.	0.01uF	50V	B	GRM188B11H103KA01D	K22174823		1-	A	D2
C 5150	CHIP CAP.	0.01uF	50V	B	GRM188B11H103KA01D	K22174823		1-	A	A1
C 5151	CHIP CAP.	0.01uF	50V	B	GRM188B11H103KA01D	K22174823		1-	A	C3
C 5152	CHIP CAP.	0.01uF	50V	B	GRM188B11H103KA01D	K22174823		1-	A	F1
C 5153	CHIP CAP.	0.01uF	50V	B	GRM188B11H103KA01D	K22174823		1-	A	I4
C 5154	CHIP CAP.	0.01uF	50V	B	GRM188B11H103KA01D	K22174823		1-	A	F1
C 5155	CHIP CAP.	0.01uF	50V	B	GRM188B11H103KA01D	K22174823		1-	A	F1
C 5156	CHIP CAP.	0.01uF	50V	B	GRM188B11H103KA01D	K22174823		1-	A	G3
C 5157	CHIP CAP.	0.01uF	50V	B	GRM188B11H103KA01D	K22174823		1-	A	C3
C 5158	CHIP CAP.	0.01uF	50V	B	GRM188B11H103KA01D	K22174823		1-	A	C3
C 5159	CHIP CAP.	0.01uF	50V	B	GRM188B11H103KA01D	K22174823		1-	A	I4
C 5160	CHIP CAP.	0.01uF	50V	B	GRM188B11H103KA01D	K22174823		1-	A	F2
C 5161	CHIP CAP.	0.01uF	50V	B	GRM188B11H103KA01D	K22174823		1-	A	E1
C 5162	CHIP CAP.	0.01uF	50V	B	GRM188B11H103KA01D	K22174823		1-	A	E1
C 5163	CHIP CAP.	0.1uF	16V	B	GRM188B11C104KA01D	K22124805		1-	A	I1
C 5164	CHIP CAP.	0.1uF	16V	B	GRM188B11C104KA01D	K22124805		1-	A	I1
C 5165	CHIP CAP.	0.1uF	16V	B	GRM188B11C104KA01D	K22124805		1-	A	I1
C 5166	CHIP CAP.	0.1uF	16V	B	GRM188B11C104KA01D	K22124805		1-	A	I1
C 5167	CHIP CAP.	0.1uF	16V	B	GRM188B11C104KA01D	K22124805		1-	A	I1
C 5168	CHIP TA.CAP.	1uF	16V		TESVA1C105M1-8R	K78120009		1-	A	F1
C 5170	CHIP CAP.	0.1uF	16V	B	GRM188B11C104KA01D	K22124805		1-	A	F4
C 5171	CHIP CAP.	0.01uF	50V	B	GRM188B11H103KA01D	K22174823		1-	A	E4
C 5172	CHIP CAP.	0.01uF	50V	B	GRM188B11H103KA01D	K22174823		1-	A	E4
C 5173	CHIP TA.CAP.	22uF			TPSB226M016Y0600	K78120075		1-	A	A3
C 5174	CHIP TA.CAP.	22uF			TPSB226M016Y0600	K78120075		1-	A	A2
C 5176	CHIP TA.CAP.	1uF	35V		TEMSVA1V105M-8R	K78160032		1-	A	A4
C 5177	CHIP TA.CAP.	1uF	35V		TEMSVA1V105M-8R	K78160032		1-	A	A2
C 5178	CHIP TA.CAP.	1uF	35V		TEMSVA1V105M-8R	K78160032		1-	A	A3
C 5179	CHIP TA.CAP.	0.1uF	35V		TESVA1V104M1-8R	K78160025		1	A	H4
C 5179	CHIP CAP.	0.1uF	16V	B	GRM188B11C104KA01D	K22124805		2-	A	H4
C 5180	CHIP TA.CAP.	0.1uF	35V		TESVA1V104M1-8R	K78160025		1	A	C2
C 5180	CHIP CAP.	0.1uF	16V	B	GRM188B11C104KA01D	K22124805		2-	A	C2
C 5181	CHIP CAP.	0.1uF	16V	B	GRM188B11C104KA01D	K22124805		2-		
C 5182	CHIP CAP.	0.1uF	16V	B	GRM188B11C104KA01D	K22124805		2-		
D 5001	DIODE				BAS316	G2070716		1-	A	G4
D 5002	DIODE				BAS316	G2070716		1-	A	H1

# CNTL Unit

## Parts List

REF	DESCRIPTION	VALUE	V/W	TOL.	MFR'S DESIG	VXSTD P/N	VERS.	LOT	SIDE	LAY ADR
D 5003	LED				SML-210MTT86	G2070524		1-	A	A4
D 5004	LED				SML-210DTT86	G2070772		1-	A	A2
D 5005	LED				SML-210MTT86	G2070524		1-3		
D 5006	LED				SML-210MTT86	G2070524		1-	A	A1
D 5007	DIODE				DAP202U T106	G2070160		1-	A	H3
D 5008	LED				SML-210VTT86	G2070768		1-	A	A2
D 5009	DIODE				BAS316	G2070716		1-	A	B3
D 5010	DIODE				BAS316	G2070716		1-	A	C4
D 5011	DIODE				BAS316	G2070716		1-	A	C4
D 5012	DIODE				BAS316	G2070716		1-	A	C4
D 5013	DIODE				1SS294 TE85R	G2070058		1-	A	B1
D 5014	LED				SML-210DTT86	G2070772		1-	A	C2
D 5016	DIODE				RB051L-40TE25	G2070718		1-	A	F1
D 5017	DIODE				BAS316	G2070716		1-	A	G1
D 5018	DIODE				BAS316	G2070716		1-	A	G1
D 5019	DIODE				DAN202U T106	G2070162		1-	A	D3
D 5020	DIODE				DAN202U T106	G2070162		1-	A	D3
D 5021	DIODE				BAS316	G2070716		1-	A	D4
D 5022	DIODE				DAN202U T106	G2070162		1-	A	D3
D 5023	DIODE				BAS316	G2070716		1-	A	D4
D 5024	DIODE				DAN202U T106	G2070162		1-	A	D3
D 5025	DIODE				BAS316	G2070716		1-	A	H2
D 5026	DIODE				BAS316	G2070716		1-	A	D4
D 5027	DIODE				DAN202U T106	G2070162		1-	A	D3
D 5028	DIODE				BAS316	G2070716		1-	A	H2
D 5029	DIODE				DAN202U T106	G2070162		1-	A	D3
D 5030	DIODE				BAS316	G2070716		1-	A	D4
D 5031	DIODE				BAS316	G2070716		1-	A	D4
D 5032	DIODE				BAS316	G2070716		1-	A	D4
D 5033	DIODE				BAS316	G2070716		1-	A	D4
D 5034	DIODE				BAS316	G2070716		1-	A	D4
D 5035	DIODE				BAS316	G2070716		1-	A	D4
D 5036	DIODE				BAS316	G2070716		1-	A	D4
D 5037	DIODE				BAS316	G2070716		1-	A	D4
D 5038	DIODE				BAS316	G2070716		1-	A	D4
D 5039	DIODE				BAS316	G2070716		1-	A	H3
D 5040	DIODE				BAS316	G2070716		1-	A	F3
D 5041	DIODE				BAS316	G2070716		1-	A	H2
D 5042	DIODE				BAS316	G2070716		1-	A	H2
D 5043	LED				SML-210MTT86	G2070524		4-	A	A3
J 5001	CONNECTOR				30FLT-SM1-TB	P1091142		1-	A	H1
J 5002	CONNECTOR				9637S-30-Y905	P1091169		1-	A	G4
J 5006	CONNECTOR				30FLT-SM1-TB	P1091142		1-	A	I3
J 5007	CONNECTOR				9637S-30-Y905	P1091169		1-	A	C4
J 5008	CONNECTOR				09FMN-BMTTN-TFT	P1091089		1-	A	C2
J 5009	CONNECTOR				30FLT-SM1-TB	P1091142		1-	A	I1
J 5010	CONNECTOR				30FLT-SM1-TB	P1091142		1-	A	J3
J 5011	CONNECTOR				53398-0990	P0091189		1-	A	B1
J 5012	CONNECTOR				9637S-30-Y905	P1091169		1-	A	I3
J 5013	CONNECTOR				9637S-45-Y905	P1091171		1-	A	F4
J 5014	CONNECTOR				9637S-45-Y905	P1091171		1-	A	D4
J 5015	CONNECTOR				S6B-PH-SM3-TB	P0091353		1-	A	J1
J 5016	CONNECTOR				9637S-30-Y905	P1091169		1-	A	H3
J 5017	CONNECTOR				9637S-30-Y905	P1091169		1-	A	E4
J 5018	CONNECTOR				S7B-PH-SM3-TB	P0091345		1-	A	A1
J 5019	CONNECTOR				9637S-30-Y905	P1091169		1-	A	C3
J 5020	CONNECTOR				9637S-30-Y905	P1091169		1-	A	I4
J 5021	CONNECTOR				30FLT-SM1-TB	P1091142		1-	A	F1
J 5022	CONNECTOR				S2B-PH-SM3-TB	P0091352		4-	A	J2
JP5000	WIRE ASSY				GRN 140 2/2	T50514000		1		
JP5001	WIRE ASSY				GRN 70 2/2	T50507000		1	A	D3
JP5002	WIRE ASSY				BLK 70 (3)/(3)	T53007012		1	A	D3
JP5003	WIRE ASSY				RED 85 (2)/(2)	T53208502		1	A	D3
JP5004	WIRE ASSY				GRN 110 2/2	T50511000		1	A	D3
JP5005	WIRE ASSY				GRN 110 2/2	T50511000		1	A	D3
JP5006	WIRE ASSY				RED 50 (3)/(3)	T52205012		1	A	D3
JP5013	WIRE ASSY				RED 50 (3)/(3)	T52205012		2-3		
JP5014	WIRE ASSY				GRN 140 2/2	T50514000		2-3		
JP5015	WIRE ASSY				GRN 70 2/2	T50507000		2-3		
JP5016	WIRE ASSY				GRN 170 2/2	T50517000		3-		
L 5001	CHIP COIL	1500uH			A814AY-152K=P3	L1691320		1-	A	B2
L 5002	M.RFC	470uH			RCR110D-471L	L1190405		1	A	C1
L 5002	M.RFC	470uH			CDRH105RNP-471NC-VS	L1691359		2-	A	C1

REF	DESCRIPTION	VALUE	V/W	TOL.	MFR'S DESIG	VXSTD P/N	VERS.	LOT	SIDE	LAY ADR
L 5003	CHIP COIL	1500uH			A814AY-152K=P3	L1691320		1-	A	C2
L 5004	M.RFC	47uH			7C06N-470M	L1691227		1-	A	E1
Q 5001	IC				NJM2904V-TE1	G1091677		1-	A	B4
Q 5002	IC				TA75S558F(TE85R)	G1092284		1-	A	H4
Q 5003	IC				BU2099FV-E2	G1093243		1-	A	G3
Q 5004	TRANSISTOR				DTC114YUA T106	G3070298		1	A	H3
Q 5004	TRANSISTOR				DTC114EUA T106	G3070084		2-	A	H3
Q 5005	IC				BU4069UBFV-E2	G1093601		1-	A	F3
Q 5006	IC				BA033CC0FP-E2	G1094077		1-	A	A4
Q 5007	IC				UPC2409AHF	G1092259		1-	B	j2
Q 5007	IC				NJM7809FA	G1094197		3-	B	j2
Q 5008	IC				BA05FP-E2	G1093209		2-	A	A3
Q 5009	TRANSISTOR				2SC4154-T11-1E	G3341548E		1-	A	H3
Q 5010	TRANSISTOR				DTC114YUA T106	G3070298		1-	A	H3
Q 5011	TRANSISTOR				2SB1182-TLQ	G3070063		1-	A	H4
Q 5012	TRANSISTOR				DTC114YUA T106	G3070298		1-	A	H3
Q 5013	IC				BU4069UBFV-E2	G1093601		1-	A	G3
Q 5014	TRANSISTOR				2SC4154-T11-1E	G3341548E		1-	A	H3
Q 5015	IC				BR24L16F-WE2	G1094117		1-	A	C2
Q 5016	IC				NJM2374AE-TE1	G1093808		1-	A	B1
Q 5017	TRANSISTOR				2SB1182-TLQ	G3070063		1-	A	H4
Q 5018	IC				UPD78F9026AGB-8ES	G1093504		1-	A	C1
Q 5019	TRANSISTOR				DTC114YUA T106	G3070298		1-	A	H3
Q 5020	TRANSISTOR				DTC114YUA T106	G3070298		1-	A	H3
Q 5021	IC				CD4053BPWR	G1093864		1	A	E3
Q 5021	IC				BU4053BCFV-E1	G1092064		2-	A	E3
Q 5022	IC				PC16552DVX	G1094000		1-	A	H2
Q 5023	TRANSISTOR				2SC4154-T11-1E	G3341548E		1-	A	G1
Q 5024	IC				NJM4558V-TE1	G1093250		1-	A	H3
Q 5025	IC				M51945BFP-600C	G1091990		1-	A	G1
Q 5026	IC				CD4052BPWR	G1093862		1	A	E3
Q 5026	IC				BU4052BCFV-E2	G1094196		2-	A	E3
Q 5027	IC				CD4052BPWR	G1093862		1	A	E3
Q 5027	IC				BU4052BCFV-E2	G1094196		2-	A	E3
Q 5028	IC				BA033CC0FP-E2	G1094077		1-	A	F1
Q 5029	IC				CD4053BPWR	G1093864		1	A	D3
Q 5029	IC				BU4053BCFV-E1	G1092064		2-	A	D3
Q 5030	TRANSISTOR				2SA1602A-T11-1F	G3116028F		1-	A	G1
Q 5031	IC				CD4052BPWR	G1093862		1	A	E3
Q 5031	IC				BU4052BCFV-E2	G1094196		2-	A	E3
Q 5032	IC				CD4052BPWR	G1093862		1	A	F3
Q 5032	IC				BU4052BCFV-E2	G1094196		2-	A	F3
Q 5033	TRANSISTOR				2SC4154-T11-1E	G3341548E		1-	A	G1
Q 5034	TRANSISTOR				2SC4154-T11-1E	G3341548E		1-	A	G1
Q 5035	TRANSISTOR				2SA1602A-T11-1F	G3116028F		1-	A	G1
Q 5036	TRANSISTOR				DTC114YUA T106	G3070298		1-	A	H3
Q 5037	IC				HD64F2676VFC33	※		1-	A	E2
Q 5038	IC				PC16552DVX	G1094000		1-	A	I2
Q 5039	TRANSISTOR				DTC114YUA T106	G3070298		1-	A	F3
Q 5040	IC				BR24L64F-WE2	G1093876		1	A	C2
Q 5040	IC				AT24C64AN-10SU-1.8	G1093171		2-	A	C2
Q 5041	IC				CD4093BPWR	G1094093		1-	A	D2
Q 5042	IC				CD4030BPWR	G1094092		1-	A	D2
Q 5043	TRANSISTOR				DTC144EE TL	G3070075		1-	A	A1
Q 5044	FET				2SJ506S(TAPE)	G4070014		1-	A	A1
Q 5044	FET				2SJ387STL	G3703878		4-	A	A1
Q 5045	IC				SN74HCT244PWR	G1094091		1-	A	F2
Q 5046	IC				CD4093BPWR	G1094093		1-	A	D1
Q 5047	IC				SN74LVC1G04DCKR	G1093972		1-	A	F2
Q 5048	IC				CD4030BPWR	G1094092		1-	A	D2
Q 5049	IC				CD74HCT238M96	G1093850		1-	A	G2
Q 5050	IC				CD74HCT238M96	G1093850		1-	A	F2
Q 5051	IC				SN74LVC1G04DCKR	G1093972		1-	A	G2
Q 5052	IC				SN74LVC1G04DCKR	G1093972		1-	A	D3
Q 5053	IC				CD74HCT238M96	G1093850		1-	A	G2
Q 5054	IC				CD74HCT238M96	G1093850		1-	A	G2
Q 5055	IC				TD62783AFN(EL)	G1092700		1-	A	C3
Q 5056	IC				CD4028BPWR	G1093861		1-	A	D3
Q 5057	IC				CD4028BPWR	G1093861		1-	A	D3
Q 5058	IC				SN74HC244PWR	G1094090		1-	A	G2
Q 5059	IC				CD74HCT238M96	G1093850		1-	A	F3
Q 5060	IC				TC7W08FU TE12L	G1092264		1-	A	G3
Q 5061	IC				TC7W08FU TE12L	G1092264		1-	A	G3

※: Please contact Vertex Standard.

# CNTL Unit

## Parts List

REF	DESCRIPTION	VALUE	V/W	TOL.	MFR'S DESIG	VXSTD P/N	VERS.	LOT	SIDE	LAY ADR
Q 5062	IC				TC7W08FU TE12L	G1092264		1-	A	G3
Q 5063	IC				TC7W08FU TE12L	G1092264		1-	A	G3
Q 5064	IC				TC7W08FU TE12L	G1092264		1-	A	G3
Q 5065	IC				NJM2904V-TE1	G1091677		1-	A	H3
Q 5066	IC				TC7W08FU TE12L	G1092264		1-	A	G3
Q 5067	IC				CD4053BPWR	G1093864		1	A	G2
Q 5067	IC				BU4053BCFV-E1	G1092064		2-	A	G2
Q 5068	IC				ADM3202ARU	G1094022		1-	A	I1
Q 5069	TRANSISTOR				UMA2N TR	G3070213		1-	A	G3
Q 5070	TRANSISTOR				DTC114YUA T106	G3070298		1-	A	G3
Q 5071	TRANSISTOR				2SC4154-T11-1E	G3341548E		1	A	B4
Q 5072	TRANSISTOR				2SC4154-T11-1E	G3341548E		1	A	B4
Q 5073	IC				TC7W08FU TE12L	G1092264		1-	A	H3
Q 5074	TRANSISTOR				DTC114YUA T106	G3070298		1-	A	H3
Q 5075	TRANSISTOR				DTC114YUA T106	G3070298		1-	A	H3
R 5001	CHIP RES.	100	1/16W	5%	RMC1/16 101JATP	J24185101		1-	A	G4
R 5002	CHIP RES.	100	1/16W	5%	RMC1/16 101JATP	J24185101		1-	A	G4
R 5003	CHIP RES.	100	1/16W	5%	RMC1/16 101JATP	J24185101		1-	A	G4
R 5004	CHIP RES.	100	1/16W	5%	RMC1/16 101JATP	J24185101		1-	A	H4
R 5005	CHIP RES.	0	1/16W	5%	RMC1/16 000JATP	J24185000		1-	A	G4
R 5006	CHIP RES.	0	1/16W	5%	RMC1/16 000JATP	J24185000		1-	A	G4
R 5007	CHIP RES.	2.2k	1/16W	5%	RMC1/16 222JATP	J24185222		1-	A	A2
R 5008	CHIP RES.	270	1/16W	5%	RMC1/16 271JATP	J24185271		1-	A	A4
R 5009	CHIP RES.	2.2k	1/16W	5%	RMC1/16 222JATP	J24185222		1-	A	A2
R 5010	CHIP RES.	470	1/16W	5%	RMC1/16 471JATP	J24185471		1-3		
R 5011	CHIP RES.	10k	1/16W	5%	RMC1/16 103JATP	J24185103		1-	A	G3
R 5014	CHIP RES.	10k	1/16W	5%	RMC1/16 103JATP	J24185103		1-	A	H3
R 5016	CHIP RES.	4.7k	1/16W	5%	RMC1/16 472JATP	J24185472		1-	A	H4
R 5017	CHIP RES.	47k	1/16W	5%	RMC1/16 473JATP	J24185473		1-	A	H4
R 5018	CHIP RES.	10k	1/16W	5%	RMC1/16 103JATP	J24185103		1-	A	H3
R 5019	CHIP RES.	10k	1/16W	5%	RMC1/16 103JATP	J24185103		1-	A	H3
R 5020	CHIP RES.	100	1/16W	5%	RMC1/16 101JATP	J24185101		1-	A	G3
R 5021	CHIP RES.	100	1/16W	5%	RMC1/16 101JATP	J24185101		1-	A	F3
R 5022	CHIP RES.	470	1/16W	5%	RMC1/16 471JATP	J24185471		1-	A	A1
R 5024	CHIP RES.	100	1/16W	5%	RMC1/16 101JATP	J24185101		1-	A	G3
R 5025	CHIP RES.	3.3k	1/16W	5%	RMC1/16 332JATP	J24185332		1-	A	B4
R 5026	CHIP RES.	100	1/16W	5%	RMC1/16 101JATP	J24185101		1-	A	F3
R 5027	CHIP RES.	100	1/16W	5%	RMC1/16 101JATP	J24185101		1-	A	G3
R 5028	CHIP RES.	100	1/16W	5%	RMC1/16 101JATP	J24185101		1-	A	F3
R 5029	CHIP RES.	1k	1/16W	5%	RMC1/16 102JATP	J24185102		1-	A	H4
R 5030	CHIP RES.	10k	1/16W	5%	RMC1/16 103JATP	J24185103		1-	A	H4
R 5031	CHIP RES.	4.7k	1/16W	5%	RMC1/16 472JATP	J24185472		1-	A	H3
R 5032	CHIP RES.	100	1/16W	5%	RMC1/16 101JATP	J24185101		1-	A	G3
R 5033	CHIP RES.	10k	1/16W	5%	RMC1/16 103JATP	J24185103		1-	A	H3
R 5034	CHIP RES.	2.7k	1/16W	5%	RMC1/16 272JATP	J24185272		1-	A	A2
R 5036	CHIP RES.	22k	1/16W	5%	RMC1/16 223JATP	J24185223		1-	A	H3
R 5037	CHIP RES.	1k	1/16W	5%	RMC1/16 102JATP	J24185102		1-	A	H4
R 5038	CHIP RES.	100	1/16W	5%	RMC1/16 101JATP	J24185101		1-	A	G3
R 5039	CHIP RES.	3.3k	1/16W	5%	RMC1/16 332JATP	J24185332		1-	A	B4
R 5040	CHIP RES.	2.7k	1/16W	5%	RMC1/16 272JATP	J24185272		1-	A	A2
R 5042	CHIP RES.	33k	1/16W	5%	RMC1/16 333JATP	J24185333		1-	A	H3
R 5043	CHIP RES.	100	1/16W	5%	RMC1/16 101JATP	J24185101		1-	A	G3
R 5044	CHIP RES.	10k	1/16W	5%	RMC1/16 103JATP	J24185103		1-	A	H3
R 5045	CHIP RES.	1k	1/16W	5%	RMC1/16 102JATP	J24185102		1-	A	H4
R 5046	CHIP RES.	100	1/16W	5%	RMC1/16 101JATP	J24185101		1-	A	G3
R 5047	CHIP RES.	10k	1/16W	5%	RMC1/16 103JATP	J24185103		1-	A	B3
R 5050	CHIP RES.	10k	1/16W	5%	RMC1/16 103JATP	J24185103		1-	A	H4
R 5051	CHIP RES.	1	1/10W	5%	RMC1/10T 1R0J	J24205010		1-	A	B1
R 5052	CHIP RES.	10k	1/16W	5%	RMC1/16 103JATP	J24185103		1-	A	C1
R 5053	CHIP RES.	10k	1/16W	5%	RMC1/16 103JATP	J24185103		1-	A	C1
R 5054	CHIP RES.	1	1/10W	5%	RMC1/10T 1R0J	J24205010		1-	A	B1
R 5055	CHIP RES.	1k	1/16W	5%	RMC1/16 102JATP	J24185102		1-	A	H4
R 5056	CHIP RES.	10k	1/16W	5%	RMC1/16 103JATP	J24185103		1-	A	C1
R 5057	CHIP RES.	1k	1/16W	5%	RMC1/16 102JATP	J24185102		1-	A	B3
R 5058	CHIP RES.	470	1/16W	5%	RMC1/16 471JATP	J24185471		1-	A	C4
R 5059	CHIP RES.	470	1/16W	5%	RMC1/16 471JATP	J24185471		1-	A	C4
R 5060	CHIP RES.	4.7k	1/16W	5%	RMC1/16 472JATP	J24185472		1-	A	C2
R 5061	CHIP RES.	4.7k	1/16W	5%	RMC1/16 472JATP	J24185472		1-	A	D2
R 5062	CHIP RES.	6.2k	1/16W	1%	RMC1/16 622FTP	J24183622		1-	A	B1
R 5064	CHIP RES.	1k	1/16W	1%	RMC1/16 102FTP	J24183102		1-	A	B1
R 5069	CHIP RES.	1k	1/16W	5%	RMC1/16 102JATP	J24185102		1-	A	C1
R 5070	CHIP RES.	1k	1/16W	5%	RMC1/16 102JATP	J24185102		1-	A	C2
R 5071	CHIP RES.	2.2k	1/16W	5%	RMC1/16 222JATP	J24185222		1-	A	C2

# CNTL Unit

## Parts List

REF	DESCRIPTION	VALUE	V/W	TOL.	MFR'S DESIG	VXSTD P/N	VERS.	LOT	SIDE	LAY ADR
R 5072	CHIP RES.	47k	1/16W	5%	RMC1/16 473JATP	J24185473		1-	A	C4
R 5073	CHIP RES.	0	1/16W	5%	RMC1/16 000JATP	J24185000		1-	A	J3
R 5074	CHIP RES.	47k	1/16W	5%	RMC1/16 473JATP	J24185473		1-	A	C2
R 5075	CHIP RES.	2.2k	1/16W	5%	RMC1/16 222JATP	J24185222		1-	A	C2
R 5076	CHIP RES.	10k	1/16W	5%	RMC1/16 103JATP	J24185103		1-	A	C2
R 5077	CHIP RES.	47k	1/16W	5%	RMC1/16 473JATP	J24185473		1-	A	C1
R 5078	CHIP RES.	47k	1/16W	5%	RMC1/16 473JATP	J24185473		1-	A	E2
R 5080	CHIP RES.	100	1/16W	5%	RMC1/16 101JATP	J24185101		1-	A	C2
R 5081	CHIP RES.	1k	1/16W	5%	RMC1/16 102JATP	J24185102		1-	A	C2
R 5082	CHIP RES.	4.7	1/16W	5%	RMC1/16 4R7JATP	J24185479		1-	A	C1
R 5083	CHIP RES.	10k	1/16W	5%	RMC1/16 103JATP	J24185103		1-	A	C2
R 5084	CHIP RES.	10k	1/16W	5%	RMC1/16 103JATP	J24185103		1-	A	H3
R 5085	CHIP RES.	1M	1/16W	5%	RMC1/16 105JATP	J24185105		1-	A	H1
R 5086	CHIP RES.	4.7k	1/16W	5%	RMC1/16 472JATP	J24185472		1-	A	H3
R 5087	CHIP RES.	10k	1/16W	5%	RMC1/16 103JATP	J24185103		1-	A	I3
R 5088	CHIP RES.	1k	1/16W	5%	RMC1/16 102JATP	J24185102		1-	A	I3
R 5089	CHIP RES.	47k	1/16W	5%	RMC1/16 473JATP	J24185473		1-	A	C1
R 5090	CHIP RES.	47k	1/16W	5%	RMC1/16 473JATP	J24185473		1-	A	C1
R 5091	CHIP RES.	1k	1/16W	5%	RMC1/16 102JATP	J24185102		1-	A	C1
R 5092	CHIP RES.	100	1/16W	5%	RMC1/16 101JATP	J24185101		1-	A	H3
R 5093	CHIP RES.	10k	1/16W	5%	RMC1/16 103JATP	J24185103		1-	A	I3
R 5094	CHIP RES.	0	1/16W	5%	RMC1/16 000JATP	J24185000		1-	A	H1
R 5095	CHIP RES.	1k	1/16W	5%	RMC1/16 102JATP	J24185102		1-	A	C1
R 5096	CHIP RES.	1.5k	1/16W	5%	RMC1/16 152JATP	J24185152		1-	A	H1
R 5097	CHIP RES.	1.5k	1/16W	5%	RMC1/16 152JATP	J24185152		1-	A	H1
R 5098	CHIP RES.	1.5k	1/16W	5%	RMC1/16 152JATP	J24185152		1-	A	H1
R 5099	CHIP RES.	3.3k	1/16W	5%	RMC1/16 332JATP	J24185332		1-	A	G1
R 5100	CHIP RES.	100	1/16W	5%	RMC1/16 101JATP	J24185101		1-	A	H3
R 5101	CHIP RES.	4.7k	1/16W	5%	RMC1/16 472JATP	J24185472		1-	A	I3
R 5102	CHIP RES.	1k	1/16W	5%	RMC1/16 102JATP	J24185102		1-	A	H3
R 5104	CHIP RES.	47k	1/16W	5%	RMC1/16 473JATP	J24185473		1-	A	I4
R 5105	CHIP RES.	1.5k	1/16W	5%	RMC1/16 152JATP	J24185152		1-	A	H2
R 5106	CHIP RES.	1.5k	1/16W	5%	RMC1/16 152JATP	J24185152		1-	A	H2
R 5107	CHIP RES.	4.7k	1/16W	5%	RMC1/16 472JATP	J24185472		1-	A	F1
R 5108	CHIP RES.	1k	1/16W	5%	RMC1/16 102JATP	J24185102		1-	A	F1
R 5109	CHIP RES.	100k	1/16W	5%	RMC1/16 104JATP	J24185104		1-	A	G1
R 5110	CHIP RES.	1.5k	1/16W	5%	RMC1/16 152JATP	J24185152		1-	A	H2
R 5111	CHIP RES.	47k	1/16W	5%	RMC1/16 473JATP	J24185473		1-	A	E3
R 5112	CHIP RES.	1.5k	1/16W	5%	RMC1/16 152JATP	J24185152		1-	A	H2
R 5113	CHIP RES.	47k	1/16W	5%	RMC1/16 473JATP	J24185473		1-	A	E4
R 5114	CHIP RES.	1.5k	1/16W	5%	RMC1/16 152JATP	J24185152		1-	A	H2
R 5115	CHIP RES.	47k	1/16W	5%	RMC1/16 473JATP	J24185473		1-	A	E3
R 5116	CHIP RES.	3.3k	1/16W	5%	RMC1/16 332JATP	J24185332		1-	A	H2
R 5117	CHIP RES.	47k	1/16W	5%	RMC1/16 473JATP	J24185473		1-	A	E4
R 5118	CHIP RES.	4.7k	1/10W	0.5%	RR1220P-472-D-T5	J24209187		1-	A	E3
R 5119	CHIP RES.	47k	1/16W	5%	RMC1/16 473JATP	J24185473		1-	A	F3
R 5121	CHIP RES.	47k	1/16W	5%	RMC1/16 473JATP	J24185473		1-	A	E3
R 5122	CHIP RES.	47k	1/16W	5%	RMC1/16 473JATP	J24185473		1-	A	F2
R 5123	CHIP RES.	4.7k	1/16W	5%	RMC1/16 472JATP	J24185472		1-	A	G1
R 5124	CHIP RES.	10k	1/16W	5%	RMC1/16 103JATP	J24185103		1-	A	G1
R 5125	CHIP RES.	10k	1/16W	5%	RMC1/16 103JATP	J24185103		1-	A	I2
R 5126	CHIP RES.	3.3k	1/16W	5%	RMC1/16 332JATP	J24185332		1-	A	H2
R 5127	CHIP RES.	3.3k	1/16W	5%	RMC1/16 332JATP	J24185332		1-	A	H2
R 5128	CHIP RES.	10k	1/16W	5%	RMC1/16 103JATP	J24185103		1-	A	I2
R 5131	CHIP RES.	47k	1/16W	5%	RMC1/16 473JATP	J24185473		1-	A	G1
R 5132	CHIP RES.	47k	1/16W	5%	RMC1/16 473JATP	J24185473		1-	A	G1
R 5133	CHIP RES.	10k	1/16W	5%	RMC1/16 103JATP	J24185103		1-	A	I2
R 5135	CHIP RES.	47k	1/16W	5%	RMC1/16 473JATP	J24185473		1-	A	H2
R 5136	CHIP RES.	47k	1/16W	5%	RMC1/16 473JATP	J24185473		1-	A	H2
R 5137	CHIP RES.	47k	1/16W	5%	RMC1/16 473JATP	J24185473		1-	A	H2
R 5138	CHIP RES.	47k	1/16W	5%	RMC1/16 473JATP	J24185473		1-	A	H2
R 5139	CHIP RES.	47k	1/16W	5%	RMC1/16 473JATP	J24185473		1-	A	H2
R 5140	CHIP RES.	47k	1/16W	5%	RMC1/16 473JATP	J24185473		1-	A	H2
R 5141	CHIP RES.	47k	1/16W	5%	RMC1/16 473JATP	J24185473		1-	A	H2
R 5142	CHIP RES.	47k	1/16W	5%	RMC1/16 473JATP	J24185473		1-	A	G3
R 5143	CHIP RES.	22k	1/16W	5%	RMC1/16 223JATP	J24185223		1-	A	E2
R 5144	CHIP RES.	10k	1/16W	5%	RMC1/16 103JATP	J24185103		1-	A	I2
R 5145	CHIP RES.	10k	1/16W	5%	RMC1/16 103JATP	J24185103		1-	A	G1
R 5146	CHIP RES.	100k	1/16W	5%	RMC1/16 104JATP	J24185104		1-	A	G1
R 5147	CHIP RES.	1k	1/16W	5%	RMC1/16 102JATP	J24185102		1-	A	F4
R 5148	CHIP RES.	1k	1/16W	5%	RMC1/16 102JATP	J24185102		1-	A	F4
R 5150	CHIP RES.	22k	1/16W	5%	RMC1/16 223JATP	J24185223		1-	A	E1
R 5151	CHIP RES.	22k	1/16W	5%	RMC1/16 223JATP	J24185223		1-	A	E1

# CNTL Unit

## Parts List

REF	DESCRIPTION	VALUE	V/W	TOL.	MFR'S DESIG	VXSTD P/N	VERS.	LOT	SIDE	LAY ADR
R 5152	CHIP RES.	22k	1/16W	5%	RMC1/16 223JATP	J24185223		1-	A	E1
R 5153	CHIP RES.	1k	1/16W	5%	RMC1/16 102JATP	J24185102		1-	A	F4
R 5154	CHIP RES.	100k	1/16W	5%	RMC1/16 104JATP	J24185104		1-	A	G1
R 5155	CHIP RES.	1k	1/16W	5%	RMC1/16 102JATP	J24185102		1-	A	F4
R 5156	CHIP RES.	1k	1/16W	5%	RMC1/16 102JATP	J24185102		1-	A	F4
R 5157	CHIP RES.	47k	1/16W	5%	RMC1/16 473JATP	J24185473		1-	A	F4
R 5158	CHIP RES.	47k	1/16W	5%	RMC1/16 473JATP	J24185473		1-	A	E1
R 5159	CHIP RES.	47k	1/16W	5%	RMC1/16 473JATP	J24185473		1-	A	E1
R 5160	CHIP RES.	47k	1/16W	5%	RMC1/16 473JATP	J24185473		1-	A	E2
R 5161	CHIP RES.	470	1/16W	5%	RMC1/16 471JATP	J24185471		1-	A	F4
R 5162	CHIP RES.	330k	1/16W	5%	RMC1/16 334JATP	J24185334		1-	A	G1
R 5166	CHIP RES.	470	1/16W	5%	RMC1/16 471JATP	J24185471		1-	A	F4
R 5170	CHIP RES.	470	1/16W	5%	RMC1/16 471JATP	J24185471		1-	A	F4
R 5171	CHIP RES.	100k	1/16W	5%	RMC1/16 104JATP	J24185104		1-	A	G1
R 5172	CHIP RES.	470	1/16W	5%	RMC1/16 471JATP	J24185471		1-	A	F4
R 5173	CHIP RES.	47k	1/16W	5%	RMC1/16 473JATP	J24185473		1-	A	G1
R 5176	CHIP RES.	470	1/16W	5%	RMC1/16 471JATP	J24185471		1-	A	F4
R 5179	CHIP RES.	10k	1/16W	5%	RMC1/16 103JATP	J24185103		1-	A	G1
R 5180	CHIP RES.	1k	1/16W	5%	RMC1/16 102JATP	J24185102		1-	A	F2
R 5181	CHIP RES.	1k	1/16W	5%	RMC1/16 102JATP	J24185102		1-	A	F2
R 5182	CHIP RES.	1k	1/16W	5%	RMC1/16 102JATP	J24185102		1-	A	F2
R 5183	CHIP RES.	1k	1/16W	5%	RMC1/16 102JATP	J24185102		1-	A	F2
R 5184	CHIP RES.	4.7k	1/16W	5%	RMC1/16 472JATP	J24185472		1-	A	E1
R 5185	CHIP RES.	47k	1/16W	5%	RMC1/16 473JATP	J24185473		1-	A	E1
R 5186	CHIP RES.	1M	1/16W	5%	RMC1/16 105JATP	J24185105		1-	A	I1
R 5187	CHIP RES.	10	1/16W	5%	RMC1/16 100JATP	J24185100		1-	A	F2
R 5188	CHIP RES.	47k	1/16W	5%	RMC1/16 473JATP	J24185473		1-	A	C4
R 5189	CHIP RES.	10k	1/16W	5%	RMC1/16 103JATP	J24185103		1-	A	F4
R 5192	CHIP RES.	4.7k	1/16W	5%	RMC1/16 472JATP	J24185472		1-	A	G1
R 5193	CHIP RES.	10k	1/16W	5%	RMC1/16 103JATP	J24185103		1-	A	F4
R 5194	CHIP RES.	15k	1/16W	5%	RMC1/16 153JATP	J24185153		1-	A	F4
R 5195	CHIP RES.	47k	1/16W	5%	RMC1/16 473JATP	J24185473		1-	A	C4
R 5198	CHIP RES.	10k	1/16W	5%	RMC1/16 103JATP	J24185103		1-	A	F4
R 5199	CHIP RES.	15k	1/16W	5%	RMC1/16 153JATP	J24185153		1-	A	F4
R 5200	CHIP RES.	47k	1/16W	5%	RMC1/16 473JATP	J24185473		1-	A	C4
R 5201	CHIP RES.	0	1/16W	5%	RMC1/16 000JATP	J24185000		1-	A	I1
R 5202	CHIP RES.	10k	1/16W	5%	RMC1/16 103JATP	J24185103		1-	A	F4
R 5205	CHIP RES.	1.5k	1/16W	5%	RMC1/16 152JATP	J24185152		1-	A	I1
R 5206	CHIP RES.	1.5k	1/16W	5%	RMC1/16 152JATP	J24185152		1-	A	I1
R 5207	CHIP RES.	1.5k	1/16W	5%	RMC1/16 152JATP	J24185152		1-	A	I1
R 5208	CHIP RES.	3.3k	1/16W	5%	RMC1/16 332JATP	J24185332		1-	A	I1
R 5209	CHIP RES.	15k	1/16W	5%	RMC1/16 153JATP	J24185153		1-	A	F4
R 5212	CHIP RES.	47k	1/16W	5%	RMC1/16 473JATP	J24185473		1-	A	G1
R 5213	CHIP RES.	15k	1/16W	5%	RMC1/16 153JATP	J24185153		1-	A	F4
R 5214	CHIP RES.	4.7k	1/16W	5%	RMC1/16 472JATP	J24185472		1-	A	E1
R 5217	CHIP RES.	4.7k	1/16W	5%	RMC1/16 472JATP	J24185472		1-	A	E1
R 5218	CHIP RES.	1.5k	1/16W	5%	RMC1/16 152JATP	J24185152		1-	A	I2
R 5221	CHIP RES.	4.7k	1/16W	5%	RMC1/16 472JATP	J24185472		1-	A	E2
R 5222	CHIP RES.	1.5k	1/16W	5%	RMC1/16 152JATP	J24185152		1-	A	I2
R 5223	CHIP RES.	10k	1/16W	5%	RMC1/16 103JATP	J24185103		1-	A	G1
R 5224	CHIP RES.	1.5k	1/16W	5%	RMC1/16 152JATP	J24185152		1-	A	I2
R 5227	CHIP RES.	1.5k	1/16W	5%	RMC1/16 152JATP	J24185152		1-	A	I2
R 5230	CHIP RES.	1.5k	1/16W	5%	RMC1/16 152JATP	J24185152		1-	A	I2
R 5231	CHIP RES.	3.3k	1/16W	5%	RMC1/16 332JATP	J24185332		1-	A	I2
R 5236	CHIP RES.	4.7k	1/16W	5%	RMC1/16 472JATP	J24185472		1-	A	E2
R 5241	CHIP RES.	4.7k	1/16W	5%	RMC1/16 472JATP	J24185472		1-	A	E2
R 5242	CHIP RES.	220	1/16W	5%	RMC1/16 221JATP	J24185221		1-	A	F2
R 5243	CHIP RES.	4.7k	1/16W	5%	RMC1/16 472JATP	J24185472		1-	A	E2
R 5248	CHIP RES.	3.3k	1/16W	5%	RMC1/16 332JATP	J24185332		1-	A	I2
R 5249	CHIP RES.	3.3k	1/16W	5%	RMC1/16 332JATP	J24185332		1-	A	I2
R 5250	CHIP RES.	47k	1/16W	5%	RMC1/16 473JATP	J24185473		1-	A	I2
R 5251	CHIP RES.	47k	1/16W	5%	RMC1/16 473JATP	J24185473		1-	A	I2
R 5252	CHIP RES.	47k	1/16W	5%	RMC1/16 473JATP	J24185473		1-	A	I2
R 5253	CHIP RES.	47k	1/16W	5%	RMC1/16 473JATP	J24185473		1-	A	I2
R 5254	CHIP RES.	47k	1/16W	5%	RMC1/16 473JATP	J24185473		1-	A	I2
R 5255	CHIP RES.	47k	1/16W	5%	RMC1/16 473JATP	J24185473		1-	A	I2
R 5256	CHIP RES.	47k	1/16W	5%	RMC1/16 473JATP	J24185473		1-	A	I2
R 5257	CHIP RES.	47k	1/16W	5%	RMC1/16 473JATP	J24185473		1-	A	H2
R 5258	CHIP RES.	10	1/16W	5%	RMC1/16 100JATP	J24185100		2-	A	C3
R 5259	CHIP RES.	4.7k	1/16W	5%	RMC1/16 472JATP	J24185472		1-	A	C2
R 5260	CHIP RES.	4.7k	1/16W	5%	RMC1/16 472JATP	J24185472		1-	A	C2
R 5261	CHIP RES.	47k	1/16W	5%	RMC1/16 473JATP	J24185473		1-	A	D4
R 5262	CHIP RES.	22k	1/16W	5%	RMC1/16 223JATP	J24185223		1-	A	D2

# CNTL Unit

## Parts List

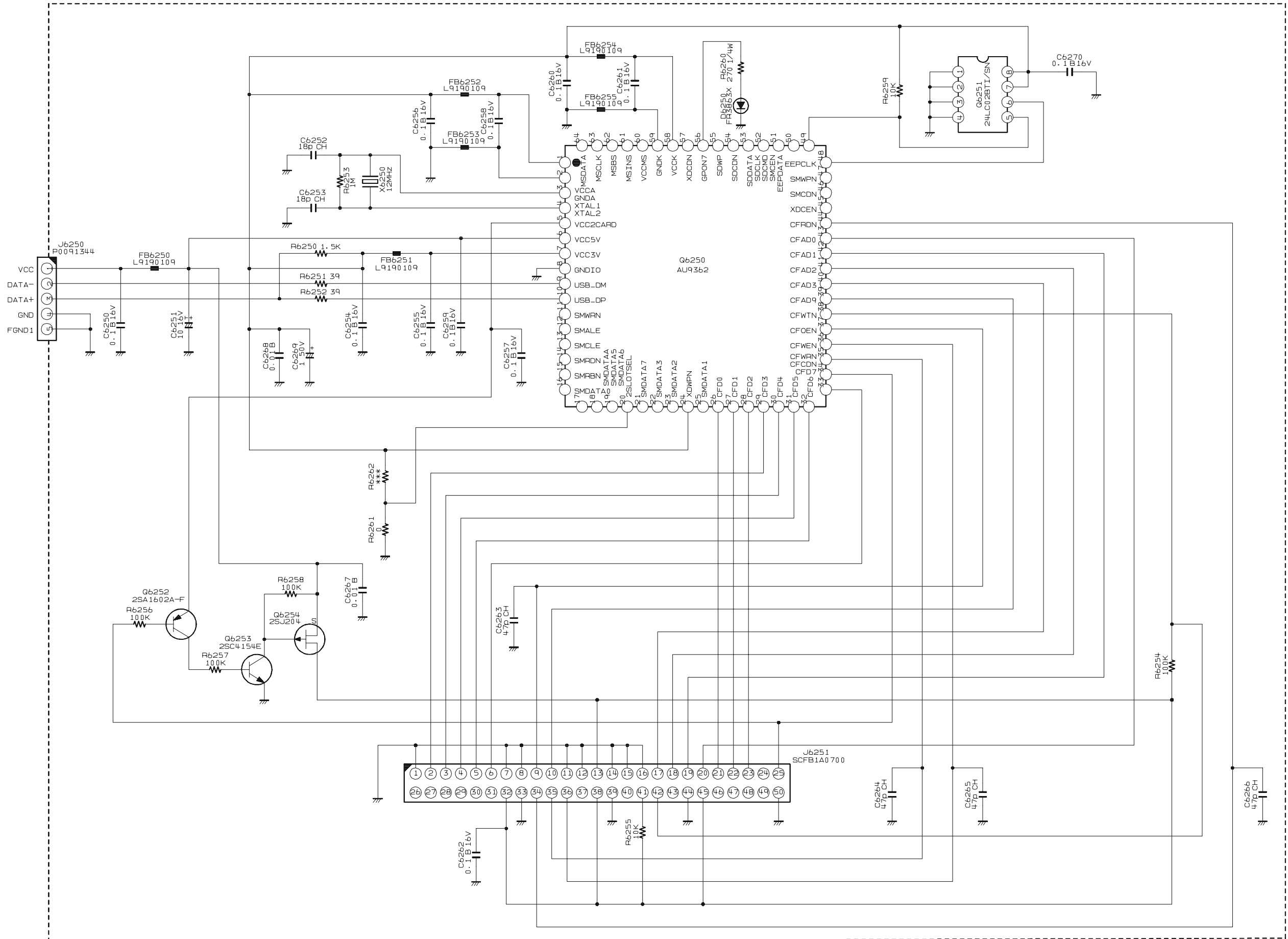
REF	DESCRIPTION	VALUE	V/W	TOL.	MFR'S DESIG	VXSTD P/N	VERS.	LOT	SIDE	LAY ADR
R 5263	CHIP RES.	47k	1/16W	5%	RMC1/16 473JATP	J24185473		1-	A	D4
R 5264	CHIP RES.	0	1/16W	5%	RMC1/16 000JATP	J24185000		1-	A	C3
R 5264	CHIP RES.	220	1/16W	5%	RMC1/16 221JATP	J24185221		7-	A	C3
R 5265	CHIP RES.	10k	1/16W	5%	RMC1/16 103JATP	J24185103		1-	A	F2
R 5266	CHIP RES.	20k	1/16W	1%	RMC1/16 203FTP	J24183203		1-	A	F2
R 5267	CHIP RES.	47k	1/16W	5%	RMC1/16 473JATP	J24185473		1-	A	D4
R 5268	CHIP RES.	39k	1/16W	5%	RMC1/16 393JATP	J24185393		1-	A	F2
R 5269	CHIP RES.	47k	1/16W	5%	RMC1/16 473JATP	J24185473		1-	A	D4
R 5270	CHIP RES.	4.7k	1/16W	5%	RMC1/16 472JATP	J24185472		1-	A	E2
R 5271	CHIP RES.	47k	1/16W	5%	RMC1/16 473JATP	J24185473		1-	A	D4
R 5272	CHIP RES.	4.7k	1/16W	5%	RMC1/16 472JATP	J24185472		1-	A	A1
R 5273	CHIP RES.	47k	1/16W	5%	RMC1/16 473JATP	J24185473		1-	A	D4
R 5274	CHIP RES.	47k	1/16W	5%	RMC1/16 473JATP	J24185473		1-	A	D4
R 5275	CHIP RES.	22k	1/16W	5%	RMC1/16 223JATP	J24185223		1-	A	D2
R 5276	CHIP RES.	47k	1/16W	5%	RMC1/16 473JATP	J24185473		1-	A	D4
R 5277	CHIP RES.	47k	1/16W	5%	RMC1/16 473JATP	J24185473		1-	A	D3
R 5278	CHIP RES.	47k	1/16W	5%	RMC1/16 473JATP	J24185473		1-	A	D3
R 5279	CHIP RES.	47k	1/16W	5%	RMC1/16 473JATP	J24185473		1-	A	D3
R 5280	CHIP RES.	10k	1/16W	5%	RMC1/16 103JATP	J24185103		1-	A	F1
R 5281	CHIP RES.	22k	1/16W	5%	RMC1/16 223JATP	J24185223		1-	A	D2
R 5282	CHIP RES.	82k	1/16W	5%	RMC1/16 823JATP	J24185823		1-	A	E2
R 5283	CHIP RES.	150k	1/16W	5%	RMC1/16 154JATP	J24185154		1-	A	E2
R 5284	CHIP RES.	47k	1/16W	5%	RMC1/16 473JATP	J24185473		1-	A	E2
R 5285	CHIP RES.	47k	1/16W	5%	RMC1/16 473JATP	J24185473		1-	A	E2
R 5286	CHIP RES.	100k	1/16W	5%	RMC1/16 104JATP	J24185104		1-	A	G1
R 5287	CHIP RES.	100k	1/16W	5%	RMC1/16 104JATP	J24185104		1-	A	G2
R 5288	CHIP RES.	10k	1/16W	5%	RMC1/16 103JATP	J24185103		1-	A	D1
R 5289	CHIP RES.	100k	1/16W	5%	RMC1/16 104JATP	J24185104		1-	A	G1
R 5290	CHIP RES.	100k	1/16W	5%	RMC1/16 104JATP	J24185104		1-	A	G2
R 5291	CHIP RES.	10k	1/16W	5%	RMC1/16 103JATP	J24185103		1-	A	D1
R 5292	CHIP RES.	10k	1/16W	5%	RMC1/16 103JATP	J24185103		1-	A	F3
R 5293	CHIP RES.	100k	1/16W	5%	RMC1/16 104JATP	J24185104		1-	A	G1
R 5294	CHIP RES.	100k	1/16W	5%	RMC1/16 104JATP	J24185104		1-	A	G2
R 5295	CHIP RES.	10k	1/16W	5%	RMC1/16 103JATP	J24185103		1-	A	D2
R 5296	CHIP RES.	100k	1/16W	5%	RMC1/16 104JATP	J24185104		1-	A	G1
R 5297	CHIP RES.	100k	1/16W	5%	RMC1/16 104JATP	J24185104		1-	A	G2
R 5298	CHIP RES.	10k	1/16W	5%	RMC1/16 103JATP	J24185103		1-	A	D2
R 5299	CHIP RES.	22k	1/16W	5%	RMC1/16 223JATP	J24185223		1-	A	D2
R 5300	CHIP RES.	100k	1/16W	5%	RMC1/16 104JATP	J24185104		1-	A	G1
R 5301	CHIP RES.	100k	1/16W	5%	RMC1/16 104JATP	J24185104		1-	A	G2
R 5302	CHIP RES.	47k	1/16W	5%	RMC1/16 473JATP	J24185473		1-	A	D2
R 5303	CHIP RES.	47k	1/16W	5%	RMC1/16 473JATP	J24185473		1-	A	D2
R 5304	CHIP RES.	47k	1/16W	5%	RMC1/16 473JATP	J24185473		1-	A	D1
R 5305	CHIP RES.	47k	1/16W	5%	RMC1/16 473JATP	J24185473		1-	A	D1
R 5306	CHIP RES.	100k	1/16W	5%	RMC1/16 104JATP	J24185104		1-	A	G1
R 5307	CHIP RES.	100k	1/16W	5%	RMC1/16 104JATP	J24185104		1-	A	G2
R 5308	CHIP RES.	100k	1/16W	5%	RMC1/16 104JATP	J24185104		1-	A	G1
R 5309	CHIP RES.	100k	1/16W	5%	RMC1/16 104JATP	J24185104		1-	A	G2
R 5310	CHIP RES.	100k	1/16W	5%	RMC1/16 104JATP	J24185104		1-	A	G1
R 5311	CHIP RES.	100k	1/16W	5%	RMC1/16 104JATP	J24185104		1-	A	G2
R 5312	CHIP RES.	47k	1/16W	5%	RMC1/16 473JATP	J24185473		1-	A	D2
R 5313	CHIP RES.	47k	1/16W	5%	RMC1/16 473JATP	J24185473		1-	A	D2
R 5314	CHIP RES.	47k	1/16W	5%	RMC1/16 473JATP	J24185473		1-	A	D1
R 5315	CHIP RES.	47k	1/16W	5%	RMC1/16 473JATP	J24185473		1-	A	D1
R 5316	CHIP RES.	10k	1/16W	5%	RMC1/16 103JATP	J24185103		1-	A	D2
R 5317	CHIP RES.	10k	1/16W	5%	RMC1/16 103JATP	J24185103		1-	A	D2
R 5318	CHIP RES.	10k	1/16W	5%	RMC1/16 103JATP	J24185103		1-	A	D1
R 5319	CHIP RES.	10k	1/16W	5%	RMC1/16 103JATP	J24185103		1-	A	D1
R 5323	CHIP RES.	0	1/8W	5%	RMC1/8T 000J	J24215000		1	A	J3
R 5324	CHIP RES.	3.3k	1/16W	5%	RMC1/16 332JATP	J24185332		1-	A	E2
R 5326	CHIP RES.	47k	1/16W	5%	RMC1/16 473JATP	J24185473		1-	A	F2
R 5327	CHIP RES.	47k	1/16W	5%	RMC1/16 473JATP	J24185473		1-	A	E1
R 5328	CHIP RES.	15k	1/16W	5%	RMC1/16 153JATP	J24185153		1-	A	G1
R 5329	CHIP RES.	15k	1/16W	5%	RMC1/16 153JATP	J24185153		1		
R 5330	CHIP RES.	15k	1/16W	5%	RMC1/16 153JATP	J24185153		1		
R 5331	CHIP RES.	15k	1/16W	5%	RMC1/16 153JATP	J24185153		1		
R 5332	CHIP RES.	6.8k	1/16W	5%	RMC1/16 682JATP	J24185682		1		
R 5339	CHIP RES.	4.7k	1/10W	0.5%	RR1220P-472-D-T5	J24209187		1-	A	C4
R 5340	CHIP RES.	3.9	1W	5%	RMC1 3R9JTE	J24305399		1-	A	B4
R 5341	CHIP RES.	3.9	1W	5%	RMC1 3R9JTE	J24305399		1-	A	B3
R 5342	CHIP RES.	3.9	1W	5%	RMC1 3R9JTE	J24305399		1-	A	B4
R 5343	CHIP RES.	3.9	1W	5%	RMC1 3R9JTE	J24305399		1-	A	B3
R 5344	CHIP RES.	100k	1/16W	5%	RMC1/16 104JATP	J24185104		1-	A	H3

# CNTL Unit

## Parts List

REF	DESCRIPTION	VALUE	V/W	TOL.	MFR'S DESIG	VXSTD P/N	VERS.	LOT	SIDE	LAY ADR
R 5345	CHIP RES.	100k	1/16W	5%	RMC1/16 104JATP	J24185104		1-	A	H3
R 5346	CHIP RES.	4.7k	1/16W	5%	RMC1/16 472JATP	J24185472		1-	A	G3
R 5348	CHIP RES.	100k	1/16W	5%	RMC1/16 104JATP	J24185104		1-	A	H3
R 5349	CHIP RES.	3.3k	1/16W	5%	RMC1/16 332JATP	J24185332		1-	A	G2
R 5350	CHIP RES.	15k	1/16W	5%	RMC1/16 153JATP	J24185153		1-	A	G2
R 5352	CHIP RES.	2.7k	1/16W	5%	RMC1/16 272JATP	J24185272		1-	A	H1
R 5353	CHIP RES.	2.7k	1/16W	5%	RMC1/16 272JATP	J24185272		1-	A	H1
R 5354	CHIP RES.	2.7k	1/16W	5%	RMC1/16 272JATP	J24185272		1-	A	H2
R 5355	CHIP RES.	2.7k	1/16W	5%	RMC1/16 272JATP	J24185272		1-	A	H2
R 5356	CHIP RES.	2.7k	1/16W	5%	RMC1/16 272JATP	J24185272		1-	A	H2
R 5357	CHIP RES.	2.7k	1/16W	5%	RMC1/16 272JATP	J24185272		1-	A	H2
R 5358	CHIP RES.	2.7k	1/16W	5%	RMC1/16 272JATP	J24185272		1-	A	H2
R 5359	CHIP RES.	2.7k	1/16W	5%	RMC1/16 272JATP	J24185272		1-	A	H2
R 5360	CHIP RES.	4.7k	1/16W	5%	RMC1/16 472JATP	J24185472		1-	A	G2
R 5361	CHIP RES.	4.7k	1/16W	5%	RMC1/16 472JATP	J24185472		1-	A	H2
R 5362	CHIP RES.	4.7k	1/16W	5%	RMC1/16 472JATP	J24185472		1-	A	H2
R 5363	CHIP RES.	4.7k	1/16W	5%	RMC1/16 472JATP	J24185472		1-	A	I2
R 5364	CHIP RES.	4.7k	1/16W	5%	RMC1/16 472JATP	J24185472		1-	A	H2
R 5365	CHIP RES.	4.7k	1/16W	5%	RMC1/16 472JATP	J24185472		1-	A	I2
R 5366	CHIP RES.	4.7k	1/16W	5%	RMC1/16 472JATP	J24185472		1-	A	H2
R 5367	CHIP RES.	4.7k	1/16W	5%	RMC1/16 472JATP	J24185472		1-	A	I2
R 5368	CHIP RES.	4.7k	1/16W	5%	RMC1/16 472JATP	J24185472		1-	A	F1
R 5369	CHIP RES.	1	1/10W	5%	RMC1/10T 1R0J	J24205010		1-	A	B1
R 5370	CHIP RES.	1	1/10W	5%	RMC1/10T 1R0J	J24205010		1-	A	B1
R 5371	CHIP RES.	0	1/16W	5%	RMC1/16 000JATP	J24185000		1	A	I3
R 5372	CHIP RES.	0	1/16W	5%	RMC1/16 000JATP	J24185000		1	A	H3
R 5373	CHIP RES.	1	1W	5%	RMC1 1R0JTE	J24305010		2-	A	A2
R 5374	CHIP RES.	1	1W	5%	RMC1 1R0JTE	J24305010		2-	A	A2
R 5376	CHIP RES.	4.7k	1/16W	5%	RMC1/16 472JATP	J24185472		2-	A	H2
R 5377	CHIP RES.	1k	1/16W	5%	RMC1/16 102JATP	J24185102		2-	A	F1
R 5378	CHIP RES.	470	1/16W	5%	RMC1/16 471JATP	J24185471		4-	A	A3
R 5379	CHIP RES.	0	1/16W	5%	RMC1/16 000JATP	J24185000		4-	A	C3
R 5380	CHIP RES.	0	1/16W	5%	RMC1/16 000JATP	J24185000		4-	A	I4
R 5383	CHIP RES.	470	1/16W	5%	RMC1/16 471JATP	J24185471		3-		
R 5499	CARBON FILM RES.	1k	1/6W	5%	RD16PJ102 1K	J01225102		1		
S 5001	SLIDE SWITCH				SSSS820201	N6090107		1-	A	B3
VR5001	POT.	10k			EVN-5ESX50B14	J51811103		1	A	D1
VR5001	POT.	1M			EVN-5ESX50B16	J51811105		2-	A	D1
VR5001	POT.	1M			EVN-DCAA03B16 1M	J50784105		4-	A	D1
VR5002	POT.	10k			EVN-5ESX50B14	J51811103		1	A	D1
VR5002	POT.	1M			EVN-5ESX50B16	J51811105		2-	A	D1
VR5002	POT.	1M			EVN-DCAA03B16 1M	J50784105		4-	A	D1
VR5003	POT.	4.7k			EVN-5ESX50BQ3	J51811472		1	A	B4
VR5004	POT.	4.7k			EVN-5ESX50BQ3	J51811472		1	A	B4
X 5001	XTAL XJCGGC	24MHz			24.000000MHZ	H0103308		1-	A	H1
X 5002	XTAL XJCGGC	24MHz			24.000000MHZ	H0103308		1-	A	I1
X 5003	XTAL SD3	16.5MHz			16.500000MHZ	H0103286		1-	A	F2
X 5004	XTAL XJCGGC	4.9152MHz			4.9152MHZ	H0103310		1-	A	C2
Y 5000	THERMAL CONDUCTOR				30F-TO-220	Q9000192		1		
	LOCK PLATE					RA0423200		1-		



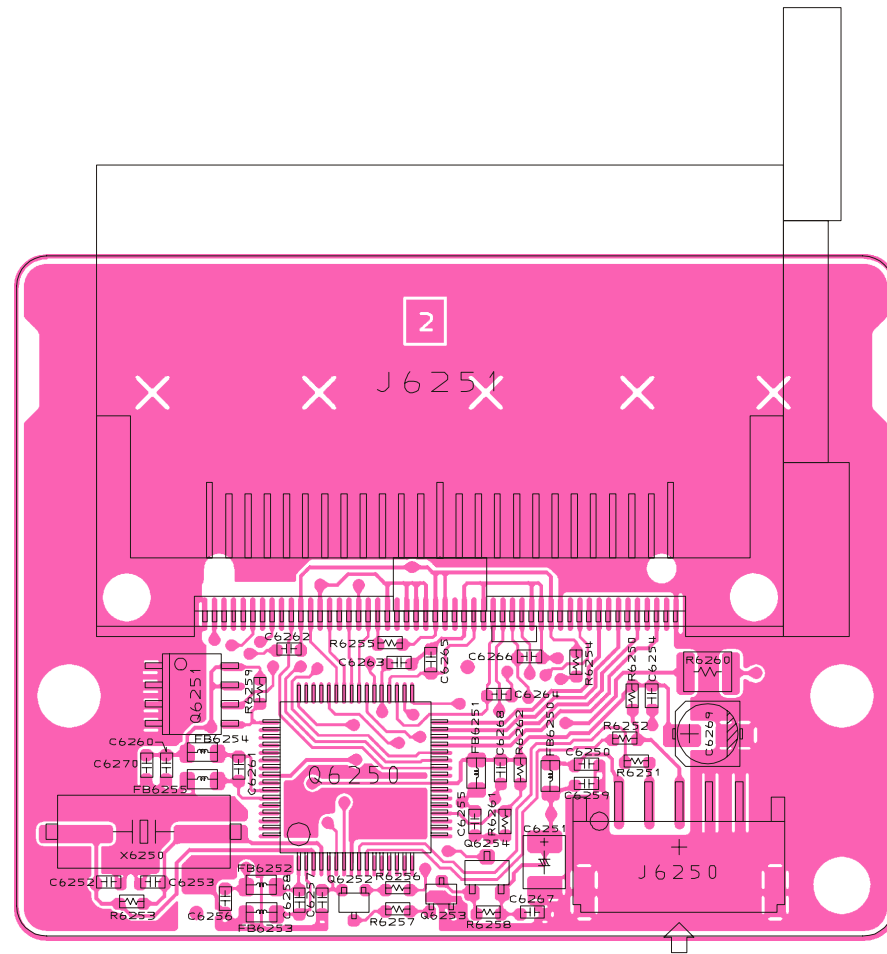


***MEMORY Unit (D, MP Type, DMU-9000)***

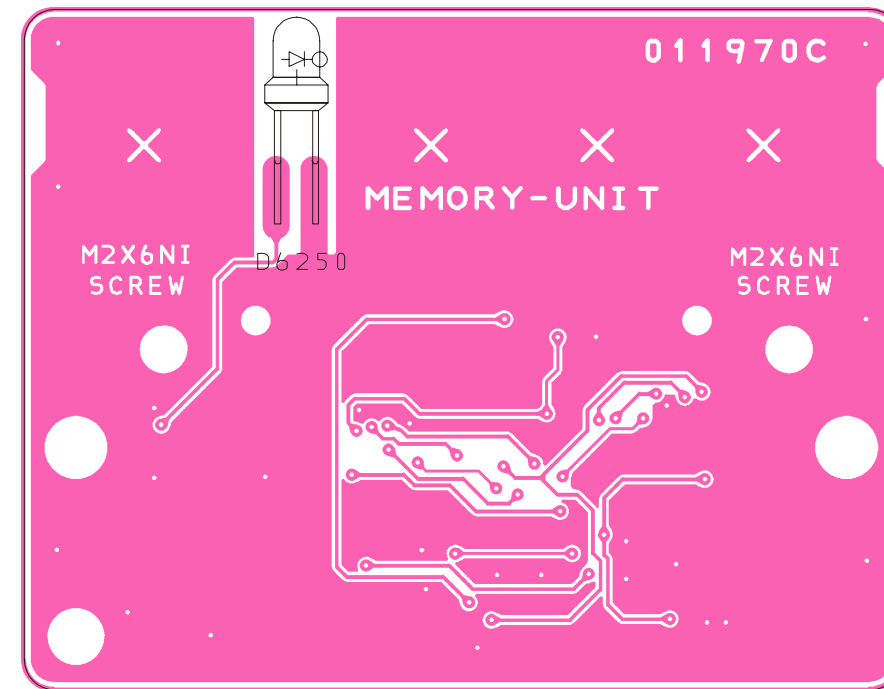
*Note*

MEMORY Unit (D, MP Type, DMU-9000)

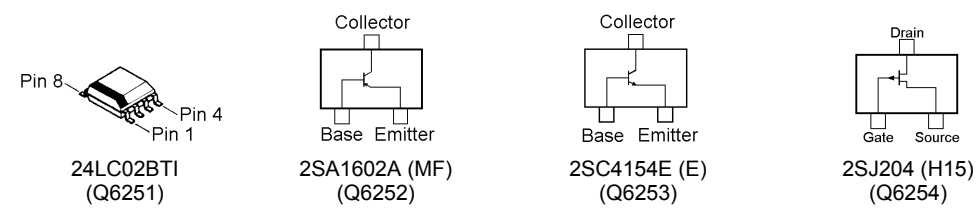
Parts Layout



Side A



Side B



***MEMORY Unit (D, MP Type, DMU-9000)***

***Note***

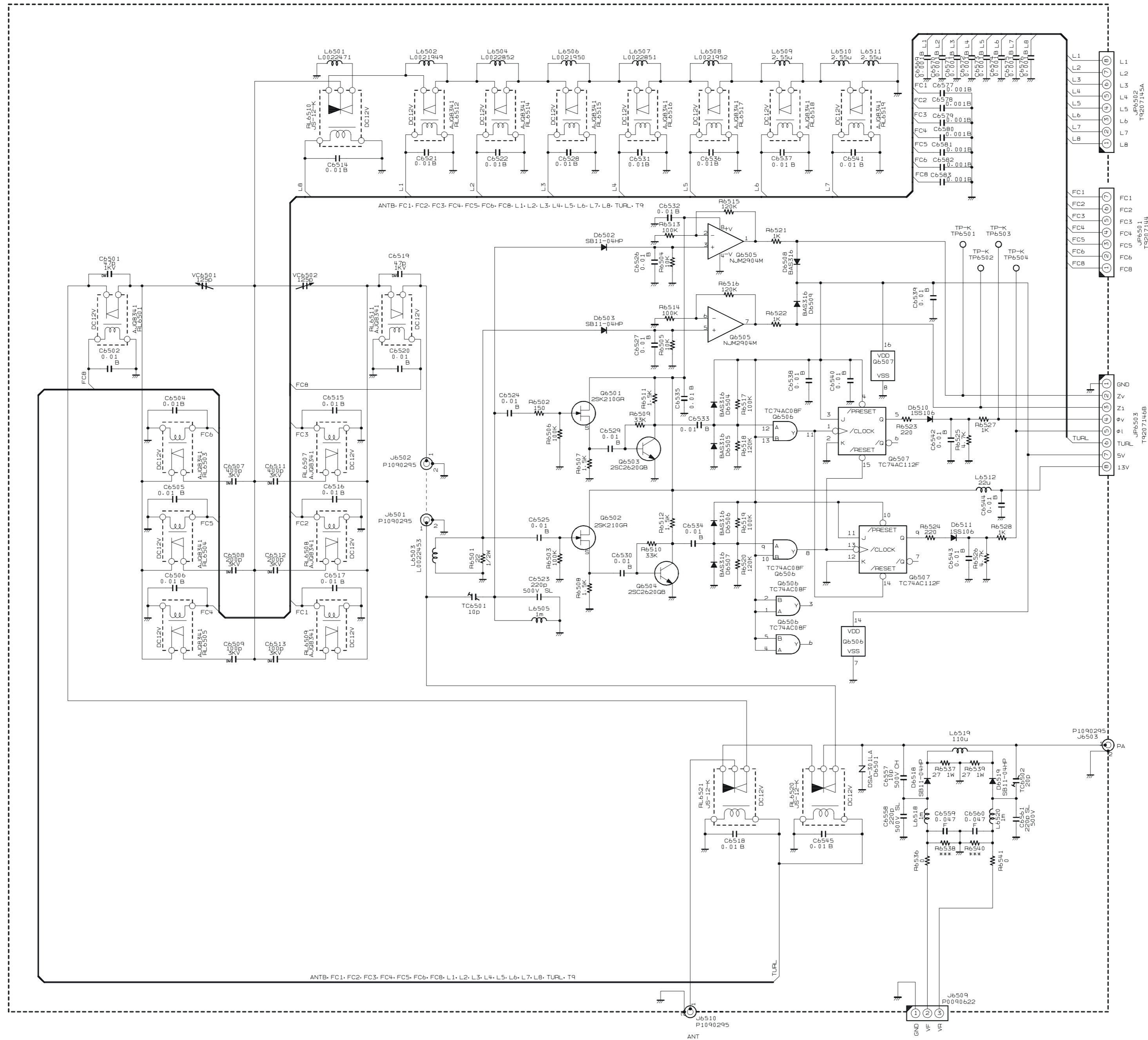
# MEMORY Unit

## Parts List

REF	DESCRIPTION	VALUE	V/W	TOL.	MFR'S DESIG	VXSTD P/N	VERS.	LOT	SIDE	LAY ADR
PCB with Components						CB2857001	W/MEMORY			
Printed Circuit Board						FR0119700		1-		
C 6250	CHIP CAP.	0.1uF	16V	B	GRM188B11C104KA01D	K22124805		1-	A	B2
C 6251	CHIP TA.CAP.	10uF	16V		TEMSVB21C106M-8R	K78120025		1-	A	B2
C 6252	CHIP CAP.	18pF	50V	CH		K22174217		1-	A	A2
C 6253	CHIP CAP.	18pF	50V	CH		K22174217		1-	A	A2
C 6254	CHIP CAP.	0.1uF	16V	B	GRM188B11C104KA01D	K22124805		1-	A	B2
C 6255	CHIP CAP.	0.1uF	16V	B	GRM188B11C104KA01D	K22124805		1-	A	B2
C 6256	CHIP CAP.	0.1uF	16V	B	GRM188B11C104KA01D	K22124805		1-	A	A2
C 6257	CHIP CAP.	0.1uF	16V	B	GRM188B11C104KA01D	K22124805		1-	A	A2
C 6258	CHIP CAP.	0.1uF	16V	B	GRM188B11C104KA01D	K22124805		1-	A	A2
C 6259	CHIP CAP.	0.1uF	16V	B	GRM188B11C104KA01D	K22124805		1-	A	B2
C 6260	CHIP CAP.	0.1uF	16V	B	GRM188B11C104KA01D	K22124805		1-	A	A2
C 6261	CHIP CAP.	0.1uF	16V	B	GRM188B11C104KA01D	K22124805		1-	A	A2
C 6262	CHIP CAP.	0.1uF	16V	B	GRM188B11C104KA01D	K22124805		1-	A	A2
C 6263	CHIP CAP.	47pF	50V	CH	GRM1882C1H470JA01D	K22174227		1-	A	A2
C 6264	CHIP CAP.	47pF	50V	CH	GRM1882C1H470JA01D	K22174227		1-	A	B2
C 6265	CHIP CAP.	47pF	50V	CH	GRM1882C1H470JA01D	K22174227		1-	A	A2
C 6266	CHIP CAP.	47pF	50V	CH	GRM1882C1H470JA01D	K22174227		1-	A	B2
C 6267	CHIP CAP.	0.01uF	50V	B	GRM188B11H103KA01D	K22174823		1-	A	B2
C 6268	CHIP CAP.	0.01uF	50V	B	GRM188B11H103KA01D	K22174823		1-	A	B2
C 6269	AL.ELECTRO.CAP.	1uF	50V		ECEV1HA010SR	K48170019		1-	A	B2
C 6270	CHIP CAP.	0.1uF	16V	B	GRM188B11C104KA01D	K22124805		1-	A	A2
D 6250	LED				FR3863X	G2090766		1-	B	a1
FB6250	FERRITE BEADS				BLM21AJ601SN1D	L9190109		1-	A	B2
FB6251	FERRITE BEADS				BLM21AJ601SN1D	L9190109		1-	A	B2
FB6252	FERRITE BEADS				BLM21AJ601SN1D	L9190109		1-	A	A2
FB6253	FERRITE BEADS				BLM21AJ601SN1D	L9190109		1-	A	A2
FB6254	FERRITE BEADS				BLM21AJ601SN1D	L9190109		1-	A	A2
FB6255	FERRITE BEADS				BLM21AJ601SN1D	L9190109		1-	A	A2
J 6250	CONNECTOR				S5B-PH-SM3-TB	P0091344		1-	A	B2
J 6251	CONNECTOR				SCFB1A0700	P0091393		1-	A	A2
Q 6250	IC				AU9362	G1094050		1-	A	A2
Q 6251	IC				24LC02BTI/SN	G1092237		1-	A	A2
Q 6252	TRANSISTOR				2SA1602A-T11-1F	G3116028F		1-	A	A2
Q 6253	TRANSISTOR				2SC4154-T11-1E	G3341548E		1-	A	A2
Q 6254	FET				2SJ204-T1B	G3702048		1-	A	B2
R 6250	CHIP RES.	1.5k	1/16W	5%	RMC1/16 152JATP	J24185152		1-	A	B2
R 6251	CHIP RES.	39	1/16W	5%	RMC1/16 390JATP	J24185390		1-	A	B2
R 6252	CHIP RES.	39	1/16W	5%	RMC1/16 390JATP	J24185390		1-	A	B2
R 6253	CHIP RES.	1M	1/16W	5%	RMC1/16 105JATP	J24185105		1-	A	A2
R 6254	CHIP RES.	100k	1/16W	5%	RMC1/16 104JATP	J24185104		1-	A	B2
R 6255	CHIP RES.	10k	1/16W	5%	RMC1/16 103JATP	J24185103		1-	A	A2
R 6256	CHIP RES.	100k	1/16W	5%	RMC1/16 104JATP	J24185104		1-	A	A2
R 6257	CHIP RES.	100k	1/16W	5%	RMC1/16 104JATP	J24185104		1-	A	A2
R 6258	CHIP RES.	100k	1/16W	5%	RMC1/16 104JATP	J24185104		1-	A	B2
R 6259	CHIP RES.	10k	1/16W	5%	RMC1/16 103JATP	J24185103		1-	A	A2
R 6260	CHIP RES.	270	1/4W	5%	RMC1/4 271JATP	J24245271		1-	A	B2
R 6261	CHIP RES.	0	1/16W	5%	RMC1/16 000JATP	J24185000		1-	A	B2
X 6250	XTAL SX-1302	12MHZ			(HDA2810) 12MHZ	H0103299		1-	A	A2
	EJECTOR				SCFB2A0500	S5000250		1-		
	LED SPACER				LA-5-4	S6000417		3-		

*MEMORY Unit*

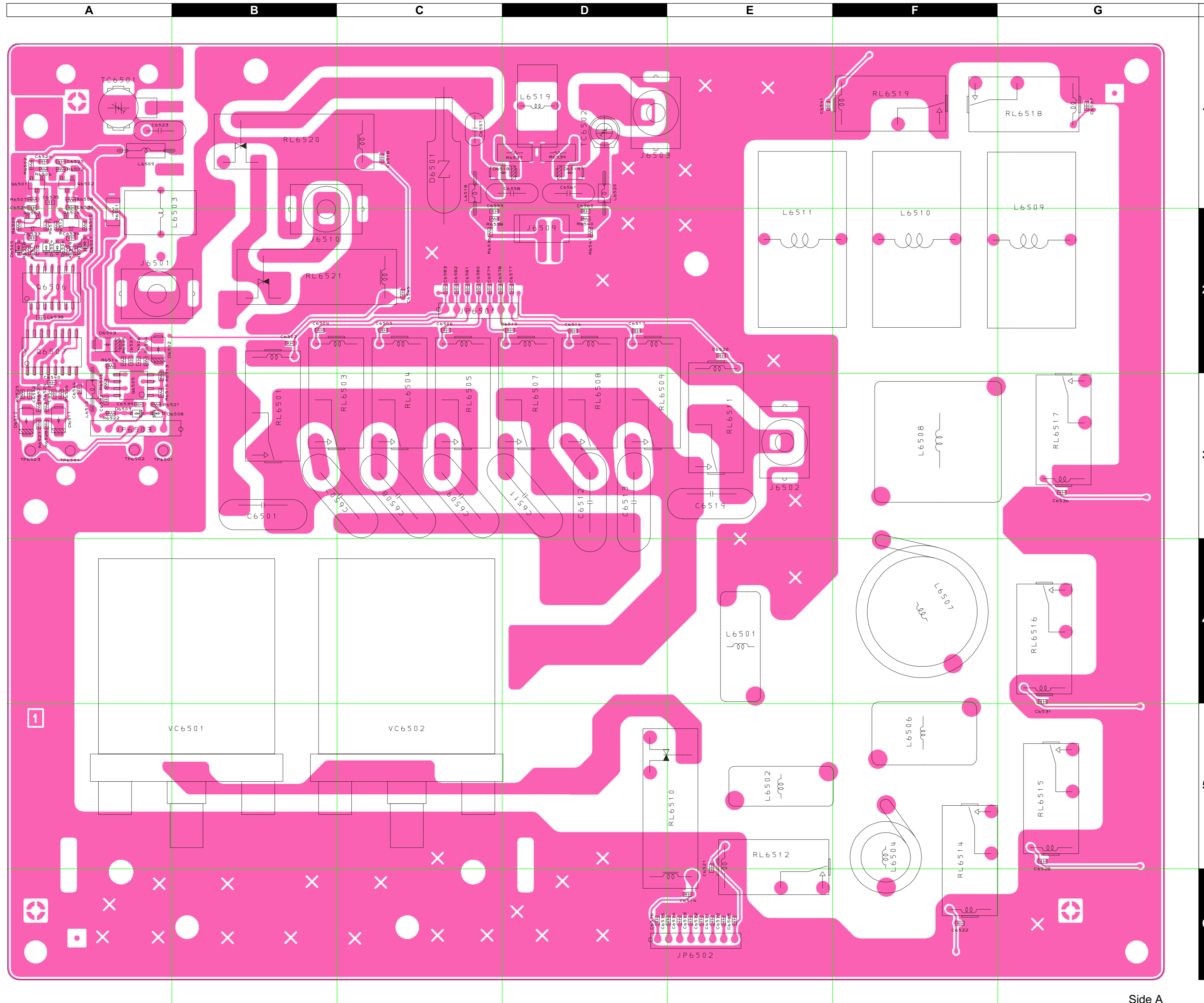
*Note*



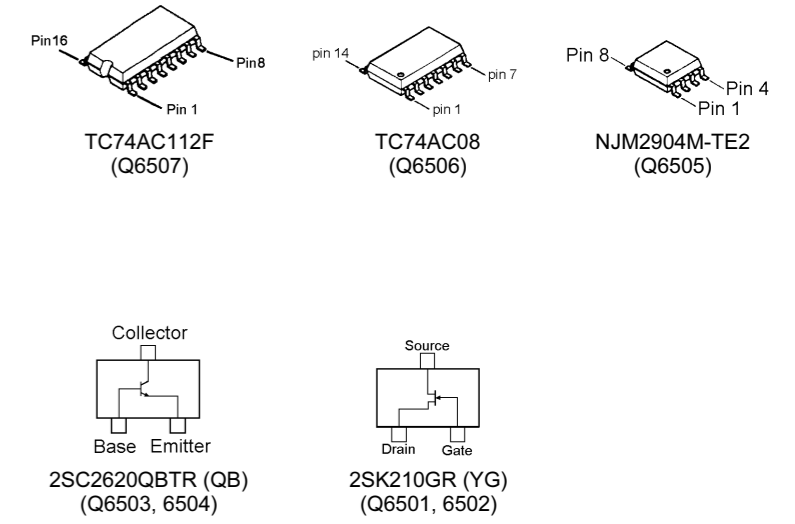
***TUNER-MAIN Unit (D, Contest Type)***

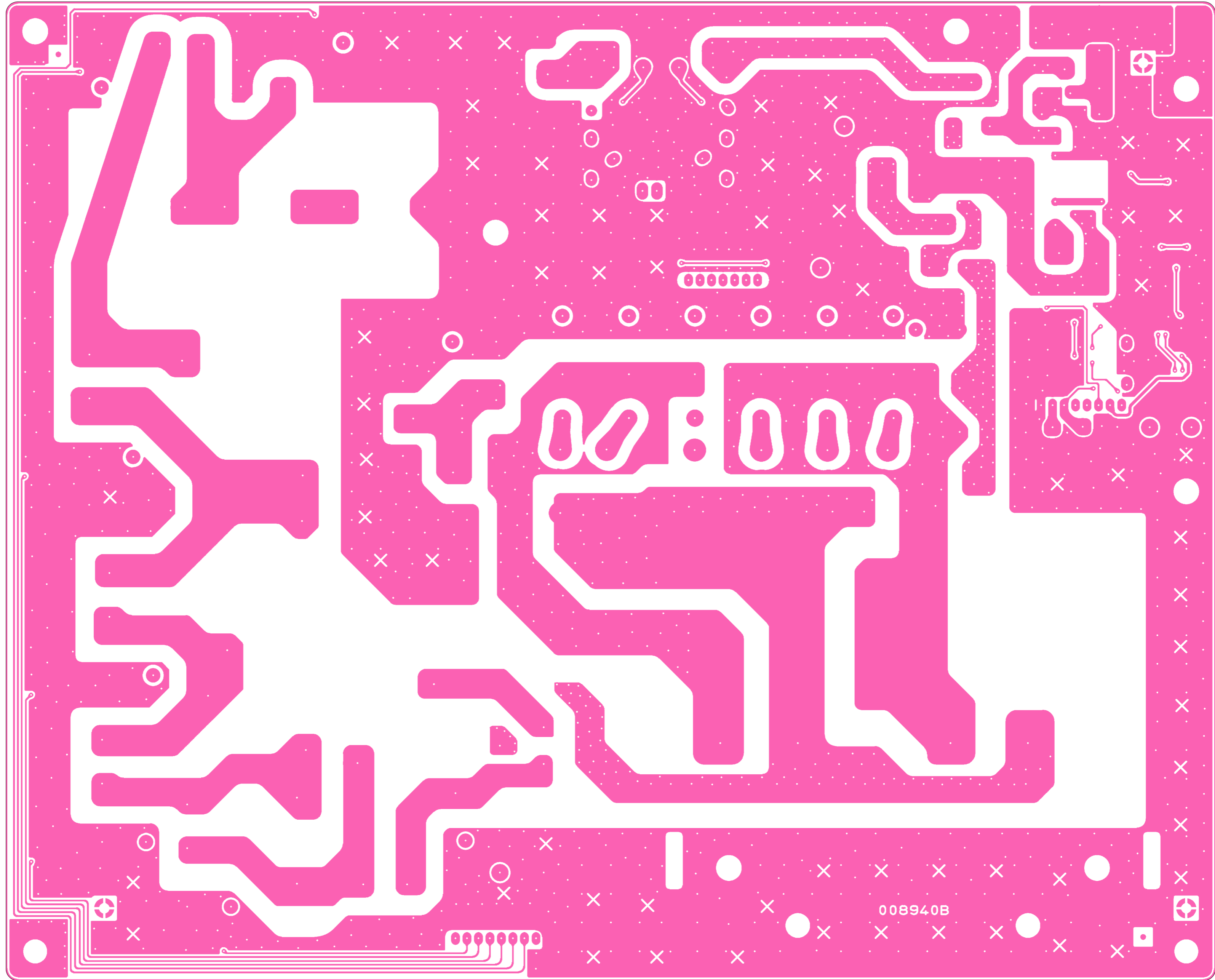
*Note*





Side A





Side B

# TUNER-MAIN Unit (D, Contest Type)

## Parts List

REF	DESCRIPTION	VALUE	V/W	TOL.	MFR'S DESIG	VXSTD P/N	VERS.	LOT	SIDE	LAY ADR	
PCB with Components						CB2020001					
Printed Circuit Board						FR008940B			1-		
C 6501	MICA CAP.	47pF	1KV		DML2 470J10	K30309005		1-	A	B3	
C 6502	CHIP CAP.	0.01uF	50V	B	GRM188B11H103KA01D	K22174823		1-	A	B2	
C 6504	CHIP CAP.	0.01uF	50V	B	GRM188B11H103KA01D	K22174823		1-	A	B2	
C 6505	CHIP CAP.	0.01uF	50V	B	GRM188B11H103KA01D	K22174823		1-	A	C2	
C 6506	CHIP CAP.	0.01uF	50V	B	GRM188B11H103KA01D	K22174823		1-	A	C2	
C 6507	MICA CAP.	400pF	3KV		DML4 401J30	K30355401		1-	A	B3	
C 6508	MICA CAP.	200pF	3KV		DML4 201J30	K30355201		1-	A	C3	
C 6509	MICA CAP.	100pF	3KV		DML4 101J30	K30355101		1-	A	C3	
C 6511	MICA CAP.	400pF	3KV		DML4 401J30	K30355401		1-	A	D3	
C 6512	MICA CAP.	200pF	3KV		DML4 201J30	K30355201		1-	A	D3	
C 6513	MICA CAP.	100pF	3KV		DML4 101J30	K30355101		1-	A	D3	
C 6514	CHIP CAP.	0.01uF	50V	B	GRM188B11H103KA01D	K22174823		1-	A	E6	
C 6515	CHIP CAP.	0.01uF	50V	B	GRM188B11H103KA01D	K22174823		1-	A	D2	
C 6516	CHIP CAP.	0.01uF	50V	B	GRM188B11H103KA01D	K22174823		1-	A	D2	
C 6517	CHIP CAP.	0.01uF	50V	B	GRM188B11H103KA01D	K22174823		1-	A	D2	
C 6518	CHIP CAP.	0.01uF	50V	B	GRM188B11H103KA01D	K22174823		1-	A	C1	
C 6519	MICA CAP.	47pF	1KV		DML2 470J10	K30309005		1-	A	E3	
C 6520	CHIP CAP.	0.01uF	50V	B	GRM188B11H103KA01D	K22174823		1-	A	E2	
C 6521	CHIP CAP.	0.01uF	50V	B	GRM188B11H103KA01D	K22174823		1-	A	E5	
C 6522	CHIP CAP.	0.01uF	50V	B	GRM188B11H103KA01D	K22174823		1-	A	F6	
C 6523	CERAMIC CAP.	220pF	500V	SL	RT-HM95SKSL221J	K26270061		1-	A	A1	
C 6524	CHIP CAP.	0.01uF	50V	B	GRM188B11H103KA01D	K22174823		1-	A	A1	
C 6525	CHIP CAP.	0.01uF	50V	B	GRM188B11H103KA01D	K22174823		1-	A	A1	
C 6526	CHIP CAP.	0.01uF	50V	B	GRM188B11H103KA01D	K22174823		1-	A	A2	
C 6527	CHIP CAP.	0.01uF	50V	B	GRM188B11H103KA01D	K22174823		1-	A	A2	
C 6528	CHIP CAP.	0.01uF	50V	B	GRM188B11H103KA01D	K22174823		1-	A	G5	
C 6529	CHIP CAP.	0.01uF	50V	B	GRM188B11H103KA01D	K22174823		1-	A	A1	
C 6530	CHIP CAP.	0.01uF	50V	B	GRM188B11H103KA01D	K22174823		1-	A	A1	
C 6531	CHIP CAP.	0.01uF	50V	B	GRM188B11H103KA01D	K22174823		1-	A	G4	
C 6532	CHIP CAP.	0.01uF	50V	B	GRM188B11H103KA01D	K22174823		1-	A	A3	
C 6533	CHIP CAP.	0.01uF	50V	B	GRM188B11H103KA01D	K22174823		1-	A	A2	
C 6534	CHIP CAP.	0.01uF	50V	B	GRM188B11H103KA01D	K22174823		1-	A	A2	
C 6535	CHIP CAP.	0.01uF	50V	B	GRM188B11H103KA01D	K22174823		1-	A	A1	
C 6536	CHIP CAP.	0.01uF	50V	B	GRM188B11H103KA01D	K22174823		1-	A	G3	
C 6537	CHIP CAP.	0.01uF	50V	B	GRM188B11H103KA01D	K22174823		1-	A	G1	
C 6538	CHIP CAP.	0.01uF	50V	B	GRM188B11H103KA01D	K22174823		1-	A	A2	
C 6539	CHIP CAP.	0.01uF	50V	B	GRM188B11H103KA01D	K22174823		1-	A	A3	
C 6540	CHIP CAP.	0.01uF	50V	B	GRM188B11H103KA01D	K22174823		1-	A	A3	
C 6541	CHIP CAP.	0.01uF	50V	B	GRM188B11H103KA01D	K22174823		1-	A	E1	
C 6542	CHIP CAP.	0.01uF	50V	B	GRM188B11H103KA01D	K22174823		1-	A	A3	
C 6543	CHIP CAP.	0.01uF	50V	B	GRM188B11H103KA01D	K22174823		1-	A	A3	
C 6544	CHIP CAP.	0.01uF	50V	B	GRM188B11H103KA01D	K22174823		1-	A	A3	
C 6545	CHIP CAP.	0.01uF	50V	B	GRM188B11H103KA01D	K22174823		1-	A	C2	
C 6557	CERAMIC CAP.	10pF	500V	CH	RT-HM60SKCH100D	K26270151		1-	A	C1	
C 6558	CERAMIC CAP.	220pF	500V	SL	RT-HM95SKSL221J	K26270061		1-	A	D1	
C 6559	CHIP CAP.	0.047uF	25V	F	GRM39F473Z25PT	K22145002		1-	A	C2	
C 6560	CHIP CAP.	0.047uF	25V	F	GRM39F473Z25PT	K22145002		1-	A	D2	
C 6561	CERAMIC CAP.	220pF	500V	SL	RT-HM95SKSL221J	K26270061		1-	A	D1	
C 6569	CHIP CAP.	0.001uF	50V	B	GRM188B11H102KA01D	K22174809		1-	A	E6	
C 6570	CHIP CAP.	0.001uF	50V	B	GRM188B11H102KA01D	K22174809		1-	A	E6	
C 6571	CHIP CAP.	0.001uF	50V	B	GRM188B11H102KA01D	K22174809		1-	A	E6	
C 6572	CHIP CAP.	0.001uF	50V	B	GRM188B11H102KA01D	K22174809		1-	A	E6	
C 6573	CHIP CAP.	0.001uF	50V	B	GRM188B11H102KA01D	K22174809		1-	A	E6	
C 6574	CHIP CAP.	0.001uF	50V	B	GRM188B11H102KA01D	K22174809		1-	A	E6	
C 6575	CHIP CAP.	0.001uF	50V	B	GRM188B11H102KA01D	K22174809		1-	A	E6	
C 6576	CHIP CAP.	0.001uF	50V	B	GRM188B11H102KA01D	K22174809		1-	A	D6	
C 6577	CHIP CAP.	0.001uF	50V	B	GRM188B11H102KA01D	K22174809		1-	A	D2	
C 6578	CHIP CAP.	0.001uF	50V	B	GRM188B11H102KA01D	K22174809		1-	A	C2	
C 6579	CHIP CAP.	0.001uF	50V	B	GRM188B11H102KA01D	K22174809		1-	A	C2	
C 6580	CHIP CAP.	0.001uF	50V	B	GRM188B11H102KA01D	K22174809		1-	A	C2	
C 6581	CHIP CAP.	0.001uF	50V	B	GRM188B11H102KA01D	K22174809		1-	A	C2	
C 6582	CHIP CAP.	0.001uF	50V	B	GRM188B11H102KA01D	K22174809		1-	A	C2	
C 6583	CHIP CAP.	0.001uF	50V	B	GRM188B11H102KA01D	K22174809		1-	A	C2	
D 6501	SURGE ABSORBER				DSA-301LA	Q9000371		1-	A	C1	
D 6502	DIODE				SB11-04HP-TR	G2070866		1-	A	A2	
D 6503	DIODE				SB11-04HP-TR	G2070866		1-	A	A2	
D 6504	DIODE				BAS316	G2070716		1-	A	A2	
D 6505	DIODE				BAS316	G2070716		1-	A	A2	
D 6506	DIODE				BAS316	G2070716		1-	A	A2	
D 6507	DIODE				BAS316	G2070716		1-	A	A2	
D 6508	DIODE				BAS316	G2070716		1-	A	A3	

# TUNER-MAIN Unit (D, Contest Type)

## Parts List

REF	DESCRIPTION	VALUE	V/W	TOL.	MFR'S DESIG	VXSTD P/N	VERS.	LOT	SIDE	LAY ADR
D 6509	DIODE				BAS316	G2070716		1-	A	A3
D 6510	DIODE				1SS106	G2090244		1-	A	A3
D 6511	DIODE				1SS106	G2090244		1-	A	A3
D 6518	DIODE				SB11-04HP-TR	G2070866		1-	A	D1
D 6519	DIODE				SB11-04HP-TR	G2070866		1-	A	D1
FN6500	FAN				F412R-12MB-47 DC12V	M2090041		1-		
J 6501	CONNECTOR				S-Q3063#01	P1090295		1-	A	A2
J 6502	CONNECTOR				S-Q3063#01	P1090295		1-	A	E3
J 6503	CONNECTOR				S-Q3063#01	P1090295		1-	A	D1
J 6509	CONNECTOR				SC25-03WS	P0090622		1-	A	D2
J 6510	CONNECTOR				S-Q3063#01	P1090295		1-	A	B2
JP6501	WIRE ASSY				AH010H	T9207144		1-	A	C2
JP6502	WIRE ASSY				AH010H	T9207145		1-	A	D6
JP6502	WIRE ASSY				AH010H	T9207145A		3-	A	D6
JP6503	WIRE ASSY				AH010H	T9207146A		1-	A	B3
JP6503	WIRE ASSY				AH010H	T9207146B		3-	A	B3
L 6501	COIL A1				2.5T11D2.0UEW R	L0022471		1-	A	E4
L 6502	COIL A1				2.5T15D2.0PVF R	L0021949		1-	A	E5
L 6503	TOROIDAL COIL				2001F FR9.5	L0022453		1-	A	A1
L 6504	COIL F1				4.5T9.0D2.0PVF R	L0022852		1-	A	F5
L 6505	M.RFC	1mH			LAL03TA102K	L1790119		1-	A	A1
L 6506	COIL A1				4.5T15D2.0PVF R	L0021950		1-	A	F5
L 6507	COIL F1				6.5T20D2.0PVF R	L0022851		1-	A	F4
L 6508	COIL A1				9.5T19D2.0PVF R	L0021952		1-	A	F3
L 6509	TOROIDAL COIL	2.55uH			2.55U T106-2	L0022680		1-	A	G2
L 6510	TOROIDAL COIL	2.55uH			2.55U T106-2	L0022680		1-	A	F2
L 6511	TOROIDAL COIL	2.55uH			2.55U T106-2	L0022680		1-	A	F2
L 6512	M.RFC	22uH			LAP02TA220K	L1790062		1-	A	A2
L 6518	M.RFC	1mH			LAL03NA102K	L1190189		1-	A	C2
L 6519	TOROIDAL COIL	260uH			260U 3A RI9.3-4.8-5	L0022767		1-	A	D1
L 6520	M.RFC	1mH			LAL03NA102K	L1190189		1-	A	D2
MO6501	STEPPING MOTOR				MP24GA(250-OHM)	M2190023		1-		
MO6502	STEPPING MOTOR				MP24GA(250-OHM)	M2190023		1-		
P 6503	WIRE ASSY				GRA 130 PINL/PINL	T9318156		1-		
Q 6501	FET				2SK210GR TE85R	G3802107G		1-	A	A1
Q 6502	FET				2SK210GR TE85R	G3802107G		1-	A	A1
Q 6503	TRANSISTOR				2SC2620QBTR	G3326207B		1-	A	A2
Q 6504	TRANSISTOR				2SC2620QBTR	G3326207B		1-	A	A2
Q 6505	IC				NJM2904M-TE2	G1093091		1-	A	A3
Q 6506	IC				TC74AC08F TP2	G1091283		1-	A	A2
Q 6507	IC				TC74AC112F(EL)	G1093667		1-	A	A2
R 6501	CHIP RES.	22	1/2W	5%	RMC1/2 220JCTP	J24275220		1-	A	A2
R 6502	CHIP RES.	150	1/16W	5%	RMC1/16 151JATP	J24185151		1-	A	A1
R 6503	CHIP RES.	100k	1/16W	5%	RMC1/16 104JATP	J24185104		1-	A	A1
R 6504	CHIP RES.	10k	1/16W	5%	RMC1/16 103JATP	J24185103		1-	A	A2
R 6505	CHIP RES.	10k	1/16W	5%	RMC1/16 103JATP	J24185103		1-	A	A2
R 6506	CHIP RES.	100k	1/16W	5%	RMC1/16 104JATP	J24185104		1-	A	A1
R 6507	CHIP RES.	1.5k	1/16W	5%	RMC1/16 152JATP	J24185152		1-	A	A1
R 6508	CHIP RES.	1.5k	1/16W	5%	RMC1/16 152JATP	J24185152		1-	A	A1
R 6509	CHIP RES.	33k	1/16W	5%	RMC1/16 333JATP	J24185333		1-	A	A2
R 6510	CHIP RES.	33k	1/16W	5%	RMC1/16 333JATP	J24185333		1-	A	A2
R 6511	CHIP RES.	1.5k	1/16W	5%	RMC1/16 152JATP	J24185152		1-	A	A2
R 6512	CHIP RES.	1.5k	1/16W	5%	RMC1/16 152JATP	J24185152		1-	A	A2
R 6513	CHIP RES.	100k	1/16W	5%	RMC1/16 104JATP	J24185104		1-	A	A3
R 6514	CHIP RES.	100k	1/16W	5%	RMC1/16 104JATP	J24185104		1-	A	A2
R 6515	CHIP RES.	120k	1/16W	5%	RMC1/16 124JATP	J24185124		1-	A	A3
R 6516	CHIP RES.	120k	1/16W	5%	RMC1/16 124JATP	J24185124		1-	A	A3
R 6517	CHIP RES.	100k	1/16W	5%	RMC1/16 104JATP	J24185104		1-	A	A2
R 6518	CHIP RES.	120k	1/16W	5%	RMC1/16 124JATP	J24185124		1-	A	A2
R 6519	CHIP RES.	100k	1/16W	5%	RMC1/16 104JATP	J24185104		1-	A	A2
R 6520	CHIP RES.	120k	1/16W	5%	RMC1/16 124JATP	J24185124		1-	A	A2
R 6521	CHIP RES.	1k	1/16W	5%	RMC1/16 102JATP	J24185102		1-	A	A3
R 6522	CHIP RES.	1k	1/16W	5%	RMC1/16 102JATP	J24185102		1-	A	A3
R 6523	CHIP RES.	220	1/16W	5%	RMC1/16 221JATP	J24185221		1-	A	A3
R 6524	CHIP RES.	220	1/16W	5%	RMC1/16 221JATP	J24185221		1-	A	A3
R 6525	CHIP RES.	4.7k	1/16W	5%	RMC1/16 472JATP	J24185472		1-	A	A3
R 6526	CHIP RES.	4.7k	1/16W	5%	RMC1/16 472JATP	J24185472		1-	A	A3
R 6527	CHIP RES.	1k	1/16W	5%	RMC1/16 102JATP	J24185102		1-	A	A3
R 6528	CHIP RES.	1k	1/16W	5%	RMC1/16 102JATP	J24185102		1-	A	A3
R 6536	CHIP RES.	0	1/16W	5%	RMC1/16 000JATP	J24185000		1-	A	C2
R 6537	CHIP RES.	27	1W	5%	RMC1 270JTE	J24305270		1-	A	D1
R 6539	CHIP RES.	27	1W	5%	RMC1 270JTE	J24305270		1-	A	D1
R 6541	CHIP RES.	0	1/16W	5%	RMC1/16 000JATP	J24185000		1-	A	D2

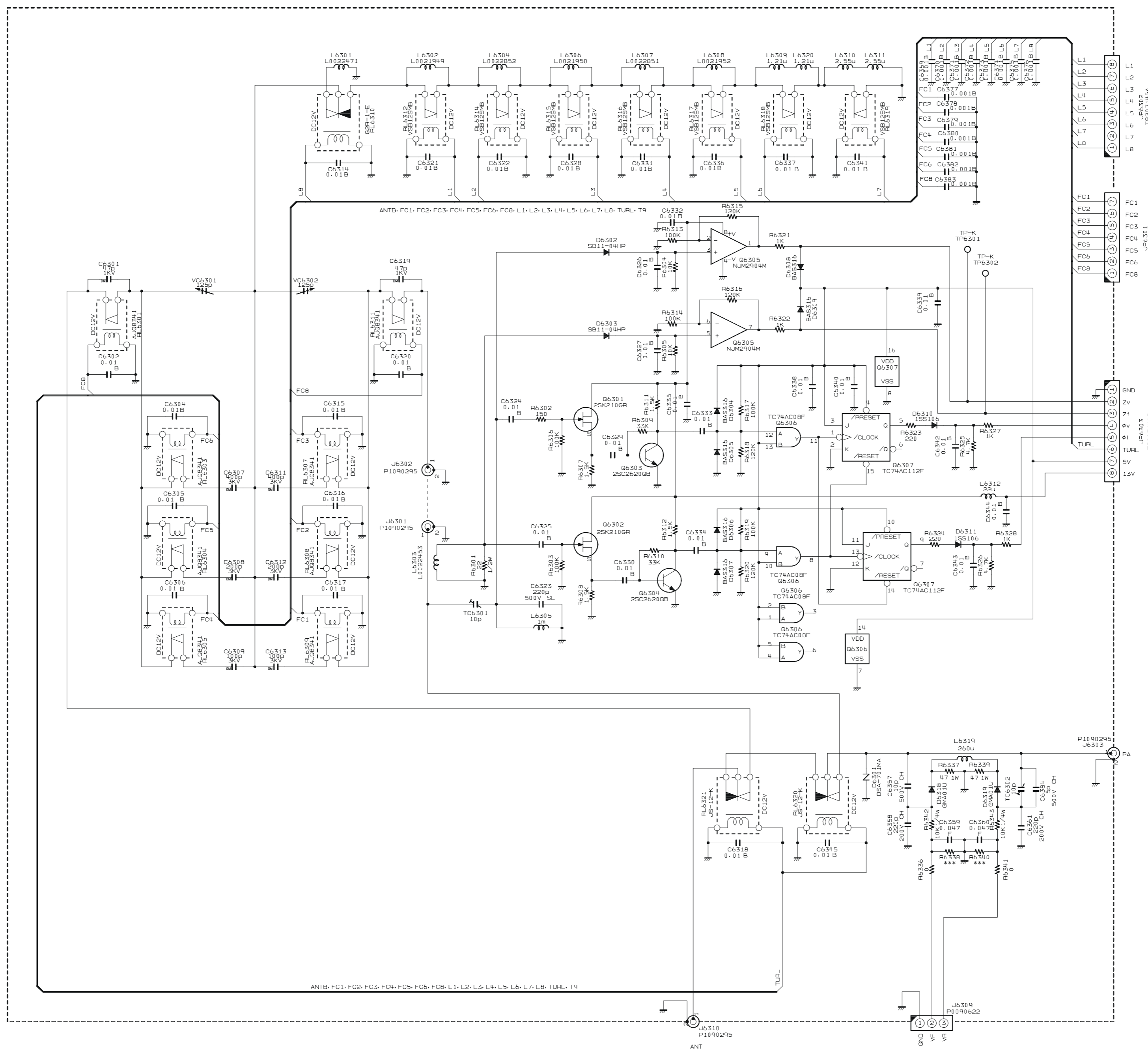
# TUNER-MAIN Unit (D, Contest Type)

## Parts List

REF	DESCRIPTION	VALUE	V/W	TOL.	MFR'S DESIG	VXSTD P/N	VERS.	LOT	SIDE	LAY ADR
RL6501	RELAY		DC12V		AJQ8341 DC12V	M1190115		1-	A	B2
RL6503	RELAY		DC12V		AJQ8341 DC12V	M1190115		1-	A	C2
RL6504	RELAY		DC12V		AJQ8341 DC12V	M1190115		1-	A	C2
RL6505	RELAY		DC12V		AJQ8341 DC12V	M1190115		1-	A	C2
RL6507	RELAY		DC12V		AJQ8341 DC12V	M1190115		1-	A	D2
RL6508	RELAY		DC12V		AJQ8341 DC12V	M1190115		1-	A	D2
RL6509	RELAY		DC12V		AJQ8341 DC12V	M1190115		1-	A	E2
RL6510	RELAY		DC12V		JS-12-K DC12V	M1190154		1-	A	D5
RL6511	RELAY		DC12V		AJQ8341 DC12V	M1190115		1-	A	E2
RL6512	RELAY		DC12V		AJQ8341 DC12V	M1190115		1-	A	E5
RL6514	RELAY		DC12V		AJQ8341 DC12V	M1190115		1-	A	F6
RL6515	RELAY		DC12V		AJQ8341 DC12V	M1190115		1-	A	G5
RL6516	RELAY		DC12V		AJQ8341 DC12V	M1190115		1-	A	G4
RL6517	RELAY		DC12V		AJQ8341 DC12V	M1190115		1-	A	G3
RL6518	RELAY		DC12V		AJQ8341 DC12V	M1190115		1-	A	G1
RL6519	RELAY		DC12V		AJQ8341 DC12V	M1190115		1-	A	F1
RL6520	RELAY		DC12V		JS-12-K DC12V	M1190154		1-	A	B1
RL6521	RELAY		DC12V		JS-12-K DC12V	M1190154		1-	A	B2
TC6501	TRIMMER CAP.	10pF			CVB10-41 10PF	K91000247		1-	A	A1
TC6502	TRIMMER CAP.	20pF			ECV1ZW20X53T 20PF	K91000029		1-	A	D1
TP6501	TERMINAL				TP-K IPS-1136	Q5000050		1-	A	A3
TP6502	TERMINAL				TP-K IPS-1136	Q5000050		1-	A	A3
TP6503	TERMINAL				TP-K IPS-1136	Q5000050		1-	A	A3
TP6504	TERMINAL				TP-K IPS-1136	Q5000050		1-	A	A3
VC6501	VARIABLE CAP.	125pF			KV-125-065A	K90000053		1-	A	B5
VC6502	VARIABLE CAP.	125pF			KV-125-065A	K90000053		1-	A	C5
	MOTOR HOLDER ASSY					RA0005700		1-		
	UNIVERSAL JOINT				SM-1116-7	S1000009		1-		
	SPACER				3X3	S5000198		1-		
	SHIELD CASE					RA0701300		1-		

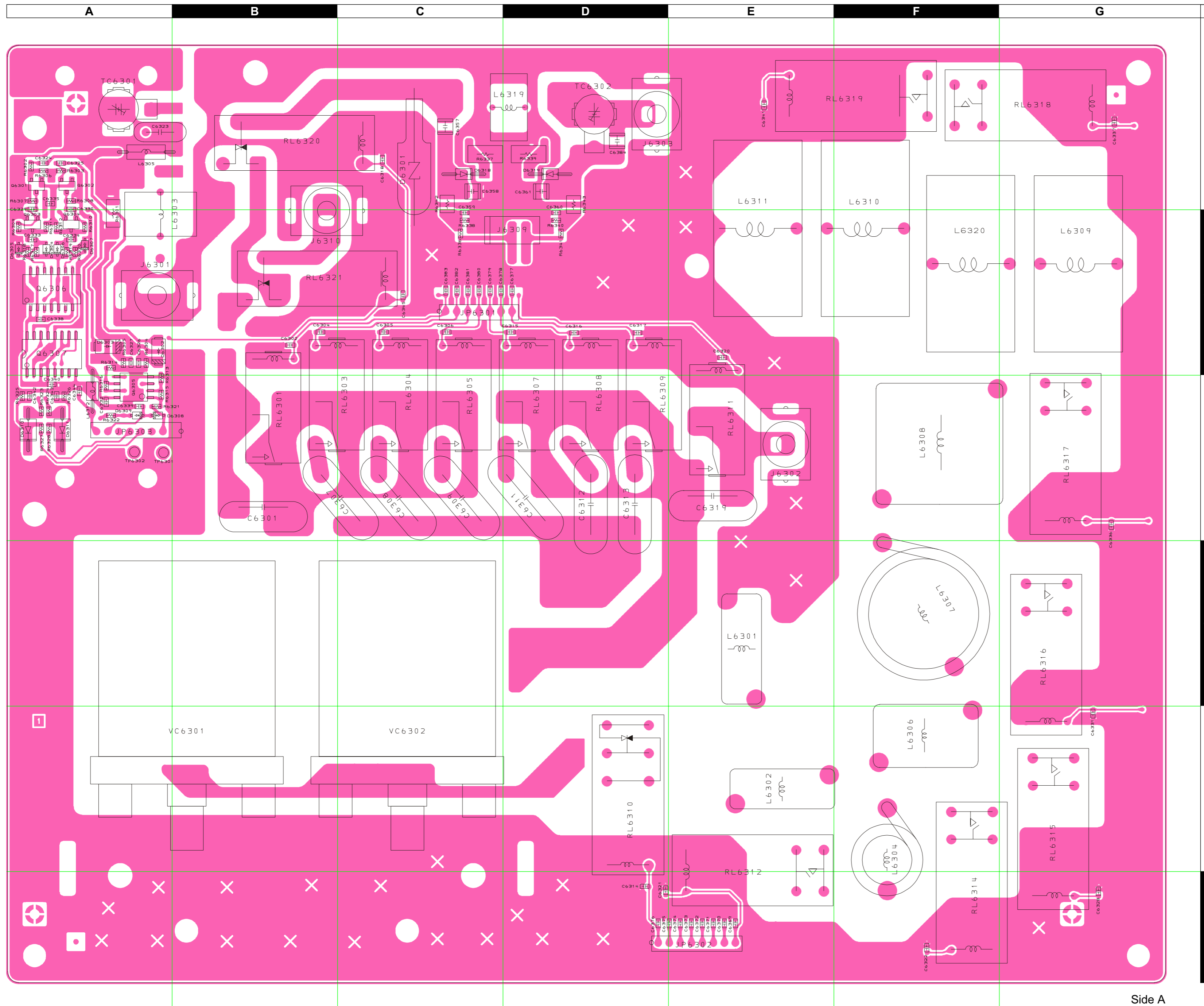
# *TUNER-MAIN Unit (D, Contest Type)*

*Note*

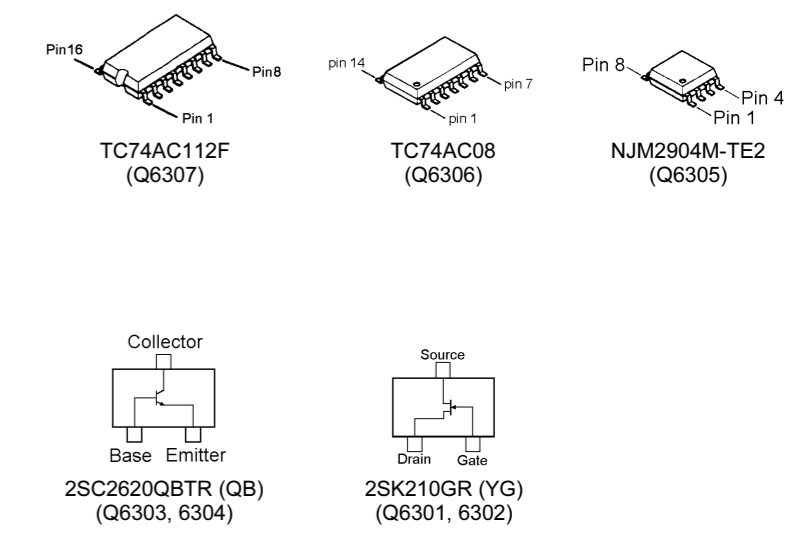


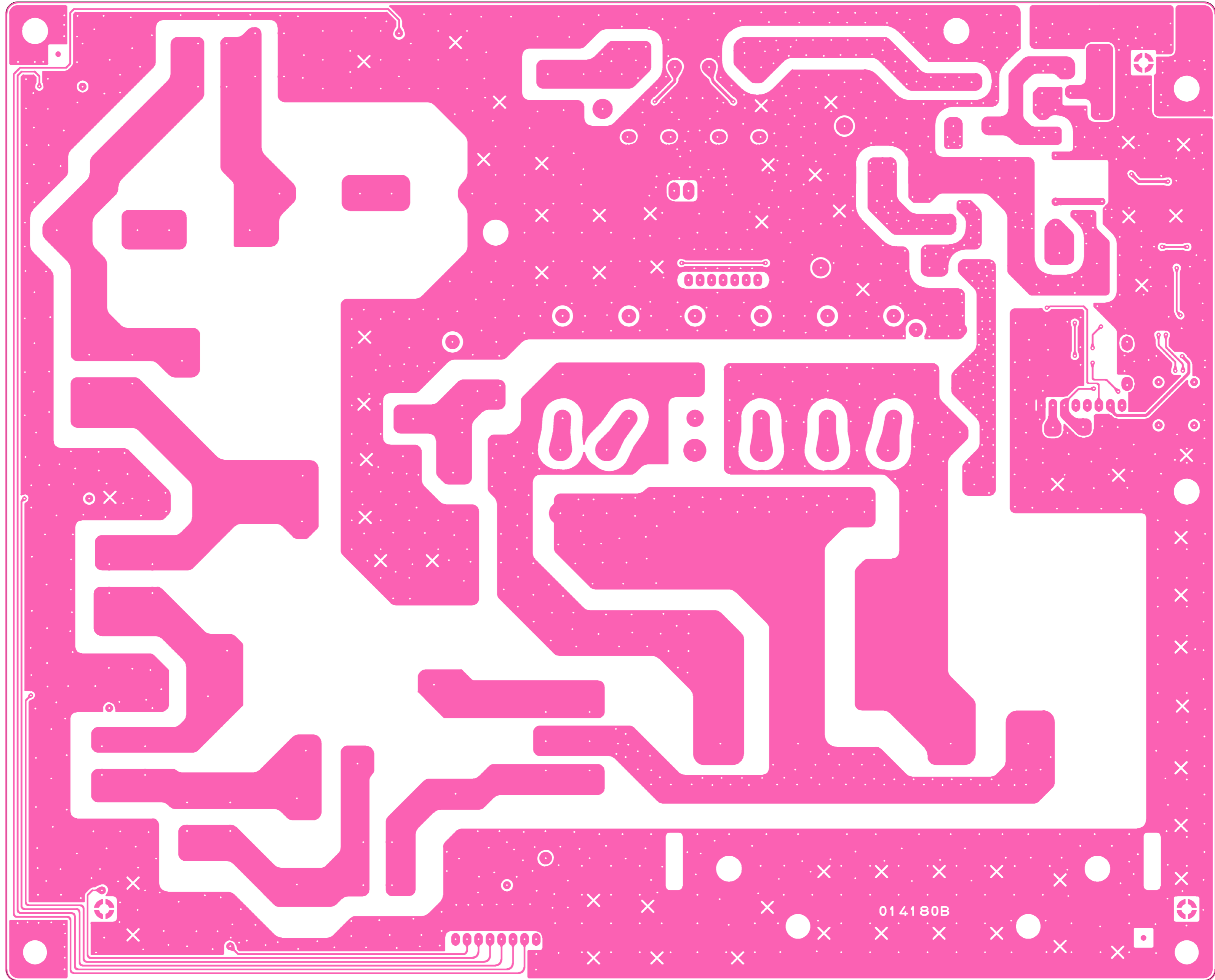






Side A





Side B

# TU-MAIN-A Unit

## Parts List

REF	DESCRIPTION	VALUE	V/W	TOL.	MFR'S DESIG	VXSTD P/N	VERS.	LOT	SIDE	LAY ADR
PCB with Components						CB3426001				
	Printed Circuit Board					FR014180B			1-	
C 6301	MICA CAP.	47pF	1KV		DML2 470J10	K30309005			1-	A B3
C 6302	CHIP CAP.	0.01uF	50V	B	GRM188B11H103KA01D	K22174823			1-	A B2
C 6304	CHIP CAP.	0.01uF	50V	B	GRM188B11H103KA01D	K22174823			1-	A B2
C 6305	CHIP CAP.	0.01uF	50V	B	GRM188B11H103KA01D	K22174823			1-	A C2
C 6306	CHIP CAP.	0.01uF	50V	B	GRM188B11H103KA01D	K22174823			1-	A C2
C 6307	MICA CAP.	400pF	3KV		DML4 401J30	K30355401			1-	A B3
C 6308	MICA CAP.	200pF	3KV		DML4 201J30	K30355201			1-	A C3
C 6309	MICA CAP.	100pF	3KV		DML4 101J30	K30355101			1-	A C3
C 6311	MICA CAP.	400pF	3KV		DML4 401J30	K30355401			1-	A D3
C 6312	MICA CAP.	200pF	3KV		DML4 201J30	K30355201			1-	A D3
C 6313	MICA CAP.	100pF	3KV		DML4 101J30	K30355101			1-	A D3
C 6314	CHIP CAP.	0.01uF	50V	B	GRM188B11H103KA01D	K22174823			1-	A D6
C 6315	CHIP CAP.	0.01uF	50V	B	GRM188B11H103KA01D	K22174823			1-	A D2
C 6316	CHIP CAP.	0.01uF	50V	B	GRM188B11H103KA01D	K22174823			1-	A D2
C 6317	CHIP CAP.	0.01uF	50V	B	GRM188B11H103KA01D	K22174823			1-	A D2
C 6318	CHIP CAP.	0.01uF	50V	B	GRM188B11H103KA01D	K22174823			1-	A C1
C 6319	MICA CAP.	47pF	1KV		DML2 470J10	K30309005			1-	A E3
C 6320	CHIP CAP.	0.01uF	50V	B	GRM188B11H103KA01D	K22174823			1-	A E2
C 6321	CHIP CAP.	0.01uF	50V	B	GRM188B11H103KA01D	K22174823			1-	A D6
C 6322	CHIP CAP.	0.01uF	50V	B	GRM188B11H103KA01D	K22174823			1-	A F6
C 6323	CERAMIC CAP.	220pF	500V	SL	RT-HM95SKSL221J	K26270061			1-	A A1
C 6324	CHIP CAP.	0.01uF	50V	B	GRM188B11H103KA01D	K22174823			1-	A A1
C 6325	CHIP CAP.	0.01uF	50V	B	GRM188B11H103KA01D	K22174823			1-	A A1
C 6326	CHIP CAP.	0.01uF	50V	B	GRM188B11H103KA01D	K22174823			1-	A A2
C 6327	CHIP CAP.	0.01uF	50V	B	GRM188B11H103KA01D	K22174823			1-	A A2
C 6328	CHIP CAP.	0.01uF	50V	B	GRM188B11H103KA01D	K22174823			1-	A G6
C 6329	CHIP CAP.	0.01uF	50V	B	GRM188B11H103KA01D	K22174823			1-	A A1
C 6330	CHIP CAP.	0.01uF	50V	B	GRM188B11H103KA01D	K22174823			1-	A A1
C 6331	CHIP CAP.	0.01uF	50V	B	GRM188B11H103KA01D	K22174823			1-	A G5
C 6332	CHIP CAP.	0.01uF	50V	B	GRM188B11H103KA01D	K22174823			1-	A A3
C 6333	CHIP CAP.	0.01uF	50V	B	GRM188B11H103KA01D	K22174823			1-	A A2
C 6334	CHIP CAP.	0.01uF	50V	B	GRM188B11H103KA01D	K22174823			1-	A A2
C 6335	CHIP CAP.	0.01uF	50V	B	GRM188B11H103KA01D	K22174823			1-	A A1
C 6336	CHIP CAP.	0.01uF	50V	B	GRM188B11H103KA01D	K22174823			1-	A G3
C 6337	CHIP CAP.	0.01uF	50V	B	GRM188B11H103KA01D	K22174823			1-	A G1
C 6338	CHIP CAP.	0.01uF	50V	B	GRM188B11H103KA01D	K22174823			1-	A A2
C 6339	CHIP CAP.	0.01uF	50V	B	GRM188B11H103KA01D	K22174823			1-	A A3
C 6340	CHIP CAP.	0.01uF	50V	B	GRM188B11H103KA01D	K22174823			1-	A A3
C 6341	CHIP CAP.	0.01uF	50V	B	GRM188B11H103KA01D	K22174823			1-	A E1
C 6342	CHIP CAP.	0.01uF	50V	B	GRM188B11H103KA01D	K22174823			1-	A A3
C 6343	CHIP CAP.	0.01uF	50V	B	GRM188B11H103KA01D	K22174823			1-	A A3
C 6344	CHIP CAP.	0.01uF	50V	B	GRM188B11H103KA01D	K22174823			1-	A A3
C 6345	CHIP CAP.	0.01uF	50V	B	GRM188B11H103KA01D	K22174823			1-	A C2
C 6357	CHIP CAP.	10pF	500V	CH	ERE22X6C2H100JD01L	K22273217			1-	A C1
C 6358	CHIP CAP.	220pF	200V	CH	ERF22X6C2D221JD01L	K22233201			1-	A C1
C 6359	CHIP CAP.	0.047uF	25V	F	GRM39F473Z25PT	K22145002			1-	A C2
C 6360	CHIP CAP.	0.047uF	25V	F	GRM39F473Z25PT	K22145002			1-	A D2
C 6361	CHIP CAP.	220pF	200V	CH	ERF22X6C2D221JD01L	K22233201			1-	A D1
C 6369	CHIP CAP.	0.001uF	50V	B	GRM188B11H102KA01D	K22174809			1-	A E6
C 6370	CHIP CAP.	0.001uF	50V	B	GRM188B11H102KA01D	K22174809			1-	A E6
C 6371	CHIP CAP.	0.001uF	50V	B	GRM188B11H102KA01D	K22174809			1-	A E6
C 6372	CHIP CAP.	0.001uF	50V	B	GRM188B11H102KA01D	K22174809			1-	A E6
C 6373	CHIP CAP.	0.001uF	50V	B	GRM188B11H102KA01D	K22174809			1-	A E6
C 6374	CHIP CAP.	0.001uF	50V	B	GRM188B11H102KA01D	K22174809			1-	A E6
C 6375	CHIP CAP.	0.001uF	50V	B	GRM188B11H102KA01D	K22174809			1-	A E6
C 6376	CHIP CAP.	0.001uF	50V	B	GRM188B11H102KA01D	K22174809			1-	A D6
C 6377	CHIP CAP.	0.001uF	50V	B	GRM188B11H102KA01D	K22174809			1-	A D2
C 6378	CHIP CAP.	0.001uF	50V	B	GRM188B11H102KA01D	K22174809			1-	A C2
C 6379	CHIP CAP.	0.001uF	50V	B	GRM188B11H102KA01D	K22174809			1-	A C2
C 6380	CHIP CAP.	0.001uF	50V	B	GRM188B11H102KA01D	K22174809			1-	A C2
C 6381	CHIP CAP.	0.001uF	50V	B	GRM188B11H102KA01D	K22174809			1-	A C2
C 6382	CHIP CAP.	0.001uF	50V	B	GRM188B11H102KA01D	K22174809			1-	A C2
C 6383	CHIP CAP.	0.001uF	50V	B	GRM188B11H102KA01D	K22174809			1-	A C2
C 6384	CHIP CAP.	5pF	500V	CH	ERF22X6C2H5R0CD01L	K22273216			1-	A D1
D 6301	SURGE ABSORBER				DSA-701MA	Q9000845			1-	A C1
D 6302	DIODE				SB11-04HP-TR	G2070866			1-	A A2
D 6303	DIODE				SB11-04HP-TR	G2070866			1-	A A2
D 6304	DIODE				BAS316	G2070716			1-	A A2
D 6305	DIODE				BAS316	G2070716			1-	A A2
D 6306	DIODE				BAS316	G2070716			1-	A A2
D 6307	DIODE				BAS316	G2070716			1-	A A2

# TU-MAIN-A Unit

## Parts List

REF	DESCRIPTION	VALUE	V/W	TOL.	MFR'S DESIG	VXSTD P/N	VERS.	LOT	SIDE	LAY ADR
D 6308	DIODE				BAS316	G2070716		1-	A	A3
D 6309	DIODE				BAS316	G2070716		1-	A	A3
D 6310	DIODE				1SS106	G2090244		1-	A	A3
D 6311	DIODE				1SS106	G2090244		1-	A	A3
D 6318	DIODE				GMA01U-BT	G2060023		1-	A	C1
D 6318	DIODE				1SS270A	G2090754		4-	A	C1
D 6319	DIODE				GMA01U-BT	G2060023		1-	A	D1
D 6319	DIODE				1SS270A	G2090754		4-	A	D1
J 6301	CONNECTOR				S-Q3063#01	P1090295		1-	A	A2
J 6302	CONNECTOR				S-Q3063#01	P1090295		1-	A	E3
J 6303	CONNECTOR				S-Q3063#01	P1090295		1-	A	D1
J 6309	CONNECTOR				SC25-03WS	P0090622		1-	A	C2
J 6310	CONNECTOR				S-Q3063#01	P1090295		1-	A	B2
JP6301	WIRE ASSY				AH010H	T9207144		1-	A	C2
JP6302	WIRE ASSY				AH010H	T9207145A		1-	A	D6
JP6303	WIRE ASSY				AH010H	T9207146B		1-	A	B3
L 6301	COIL A1				2.5T11D2.0UEW R	L0022471		1-	A	E4
L 6302	COIL A1				2.5T15D2.0PVF R	L0021949		1-	A	E5
L 6303	TOROIDAL COIL				2001F FR9.5	L0022453		1-	A	A1
L 6304	COIL F1				4.5T9.0D2.0PVF R	L0022852		1-	A	F5
L 6305	M.RFC	1mH			LAL03TA102K	L1790119		1-	A	A1
L 6306	COIL A1				4.5T15D2.0PVF R	L0021950		1-	A	F5
L 6307	COIL F1				6.5T20D2.0PVF R	L0022851		1-	A	F4
L 6308	COIL A1				9.5T19D2.0PVF R	L0021952		1-	A	F3
L 6309	TOROIDAL COIL	1.21uH			#223247	L0022940		1-	A	G2
L 6310	TOROIDAL COIL	2.55uH			2.55U T106-2	L0022680		1-	A	F2
L 6311	TOROIDAL COIL	2.55uH			2.55U T106-2	L0022680		1-	A	E2
L 6312	M.RFC	22uH			LAP02TA220K	L1790062		1-	A	A2
L 6319	TOROIDAL COIL	260uH			260U 3A RI9.3-4.8-5	L0022767		1-	A	D1
L 6320	TOROIDAL COIL	1.21uH			#223247	L0022940		1-	A	G2
MO6301	STEPPING MOTOR				MP24GA(250-OHM)	M2190023		4-		
MO6302	STEPPING MOTOR				MP24GA(250-OHM)	M2190023		4-		
P 6303	WIRE ASSY				GRA 130 PINL/PINL	T9318156		4-		
Q 6301	FET				2SK210GR TE85R	G3802107G		1-	A	A1
Q 6302	FET				2SK210GR TE85R	G3802107G		1-	A	A1
Q 6303	TRANSISTOR				2SC2620QBTR	G3326207B		1-	A	A2
Q 6304	TRANSISTOR				2SC2620QBTR	G3326207B		1-	A	A2
Q 6305	IC				NJM2904M-TE2	G1093091		1-	A	A3
Q 6306	IC				TC74AC08F TP2	G1091283		1-	A	A2
Q 6307	IC				TC74AC112F(EL)	G1093667		1-	A	A2
R 6301	CHIP RES.	22	1/2W	5%	RMC1/2 220JCTP	J24275220		1-	A	A2
R 6302	CHIP RES.	150	1/16W	5%	RMC1/16 151JATP	J24185151		1-	A	A1
R 6303	CHIP RES.	100k	1/16W	5%	RMC1/16 104JATP	J24185104		1-	A	A1
R 6304	CHIP RES.	10k	1/16W	5%	RMC1/16 103JATP	J24185103		1-	A	A2
R 6305	CHIP RES.	10k	1/16W	5%	RMC1/16 103JATP	J24185103		1-	A	A2
R 6306	CHIP RES.	100k	1/16W	5%	RMC1/16 104JATP	J24185104		1-	A	A1
R 6307	CHIP RES.	1.5k	1/16W	5%	RMC1/16 152JATP	J24185152		1-	A	A1
R 6308	CHIP RES.	1.5k	1/16W	5%	RMC1/16 152JATP	J24185152		1-	A	A1
R 6309	CHIP RES.	33k	1/16W	5%	RMC1/16 333JATP	J24185333		1-	A	A2
R 6310	CHIP RES.	33k	1/16W	5%	RMC1/16 333JATP	J24185333		1-	A	A2
R 6311	CHIP RES.	1.5k	1/16W	5%	RMC1/16 152JATP	J24185152		1-	A	A2
R 6312	CHIP RES.	1.5k	1/16W	5%	RMC1/16 152JATP	J24185152		1-	A	A2
R 6313	CHIP RES.	100k	1/16W	5%	RMC1/16 104JATP	J24185104		1-	A	A3
R 6314	CHIP RES.	100k	1/16W	5%	RMC1/16 104JATP	J24185104		1-	A	A2
R 6315	CHIP RES.	120k	1/16W	5%	RMC1/16 124JATP	J24185124		1-	A	A3
R 6316	CHIP RES.	120k	1/16W	5%	RMC1/16 124JATP	J24185124		1-	A	A3
R 6317	CHIP RES.	100k	1/16W	5%	RMC1/16 104JATP	J24185104		1-	A	A2
R 6318	CHIP RES.	120k	1/16W	5%	RMC1/16 124JATP	J24185124		1-	A	A2
R 6319	CHIP RES.	100k	1/16W	5%	RMC1/16 104JATP	J24185104		1-	A	A2
R 6320	CHIP RES.	120k	1/16W	5%	RMC1/16 124JATP	J24185124		1-	A	A2
R 6321	CHIP RES.	1k	1/16W	5%	RMC1/16 102JATP	J24185102		1-	A	A3
R 6322	CHIP RES.	1k	1/16W	5%	RMC1/16 102JATP	J24185102		1-	A	A3
R 6323	CHIP RES.	220	1/16W	5%	RMC1/16 221JATP	J24185221		1-	A	A3
R 6324	CHIP RES.	220	1/16W	5%	RMC1/16 221JATP	J24185221		1-	A	A3
R 6325	CHIP RES.	4.7k	1/16W	5%	RMC1/16 472JATP	J24185472		1-	A	A3
R 6326	CHIP RES.	4.7k	1/16W	5%	RMC1/16 472JATP	J24185472		1-	A	A3
R 6327	CHIP RES.	1k	1/16W	5%	RMC1/16 102JATP	J24185102		1-	A	A3
R 6328	CHIP RES.	1k	1/16W	5%	RMC1/16 102JATP	J24185102		1-	A	A3
R 6336	CHIP RES.	0	1/16W	5%	RMC1/16 000JATP	J24185000		1-	A	C2
R 6337	CHIP RES.	47	1W	5%	RMC1 470JTE	J24305470		1-	A	C1
R 6338	CHIP RES.	10k	1/16W	5%	RMC1/16 103JATP	J24185103		4-	A	C2
R 6339	CHIP RES.	47	1W	5%	RMC1 470JTE	J24305470		1-	A	D1
R 6340	CHIP RES.	10k	1/16W	5%	RMC1/16 103JATP	J24185103		4-	A	D2

# TU-MAIN-A Unit

## Parts List

REF	DESCRIPTION	VALUE	V/W	TOL.	MFR'S DESIG	VXSTD P/N	VERS.	LOT	SIDE	LAY ADR
R 6341	CHIP RES.	0	1/16W	5%	RMC1/16 000JATP	J24185000		1-	A	D2
R 6342	CHIP RES.	10k	1/4W	5%	RMC1/4 103JATP	J24245103		1-	A	C1
R 6343	CHIP RES.	10k	1/4W	5%	RMC1/4 103JATP	J24245103		1-	A	D1
RL6301	RELAY		DC12V		AJQ8341 DC12V	M1190115		1-	A	B2
RL6303	RELAY		DC12V		AJQ8341 DC12V	M1190115		1-	A	C2
RL6304	RELAY		DC12V		AJQ8341 DC12V	M1190115		1-	A	C2
RL6305	RELAY		DC12V		AJQ8341 DC12V	M1190115		1-	A	C2
RL6307	RELAY		DC12V		AJQ8341 DC12V	M1190115		1-	A	D2
RL6308	RELAY		DC12V		AJQ8341 DC12V	M1190115		1-	A	D2
RL6309	RELAY		DC12V		AJQ8341 DC12V	M1190115		1-	A	E2
RL6310	RELAY		DC12V		G2R-1-E DC12V	M1190141		1-	A	D5
RL6311	RELAY		DC12V		AJQ8341 DC12V	M1190115		1-	A	E2
RL6312	RELAY		DC12V		VSB12SMB DC12V	M1190140		1-	A	E5
RL6314	RELAY		DC12V		VSB12SMB DC12V	M1190140		1-	A	F5
RL6315	RELAY		DC12V		VSB12SMB DC12V	M1190140		1-	A	G5
RL6316	RELAY		DC12V		VSB12SMB DC12V	M1190140		1-	A	G4
RL6317	RELAY		DC12V		VSB12SMB DC12V	M1190140		1-	A	G3
RL6318	RELAY		DC12V		VSB12SMB DC12V	M1190140		1-	A	F1
RL6319	RELAY		DC12V		VSB12SMB DC12V	M1190140		1-	A	F1
RL6320	RELAY		DC12V		JS-12-K DC12V	M1190154		1-	A	B1
RL6321	RELAY		DC12V		JS-12-K DC12V	M1190154		1-	A	B2
TC6301	TRIMMER CAP.	10pF			CVB10-41 10PF	K91000247		1-	A	A1
TC6302	TRIMMER CAP.	10pF			CVB10-41 10PF	K91000247		1-	A	D1
TP6301	TERMINAL				TP-K IPS-1136	Q5000050		1-	A	A3
TP6302	TERMINAL				TP-K IPS-1136	Q5000050		1-	A	A3
VC6301	VARIABLE CAP.	125pF			KV-125-065A	K90000053		1-	A	B5
VC6302	VARIABLE CAP.	125pF			KV-125-065A	K90000053		1-	A	C5
	MOTOR HOLDER ASSY					RA0005700		4-		
	UNIVERSAL JOINT				SM-1116-7	S1000009		4-		
	SPACER				3X3	S5000198		4-		
	SHIELD CASE					RA0701300		4-		

# *TU-MAIN-A Unit*

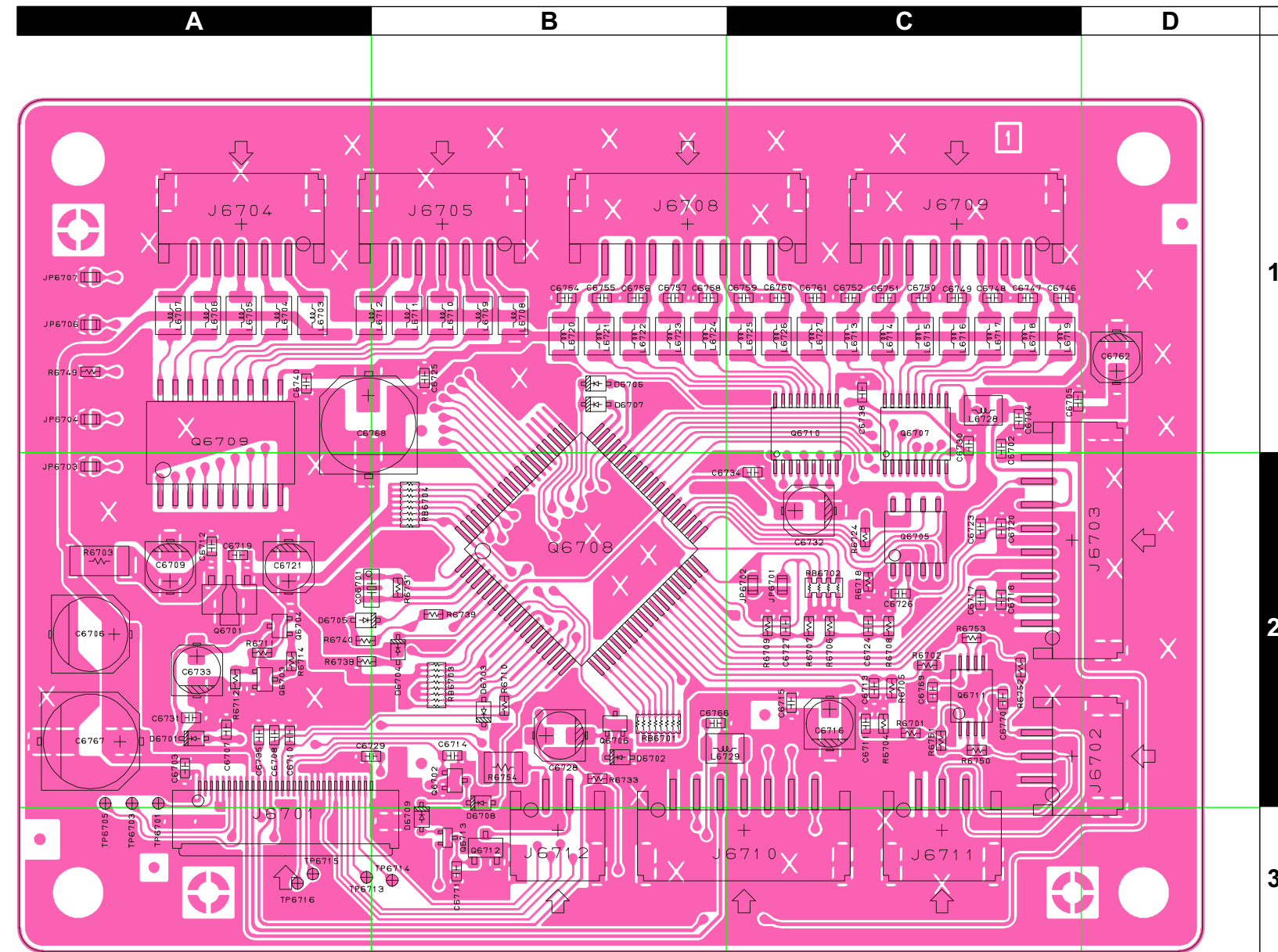
*Note*



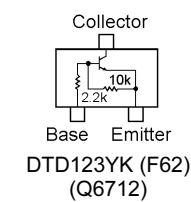
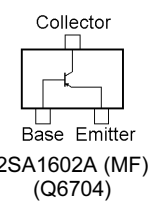
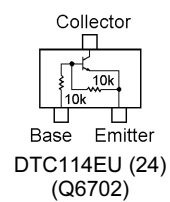
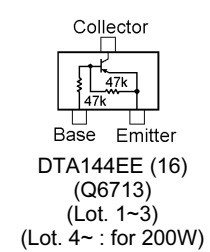
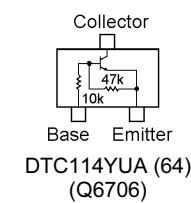
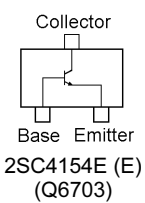
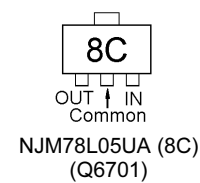
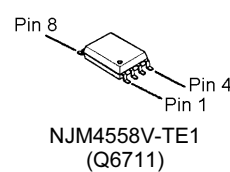
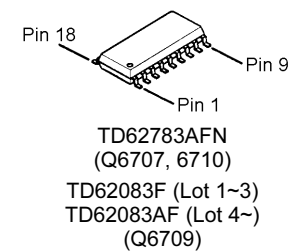
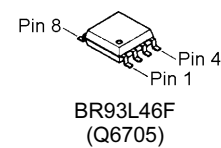
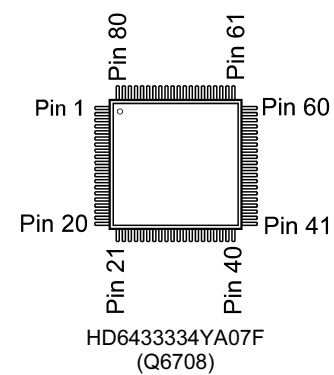
## ***TUNER-CNTL Unit***

*Note*

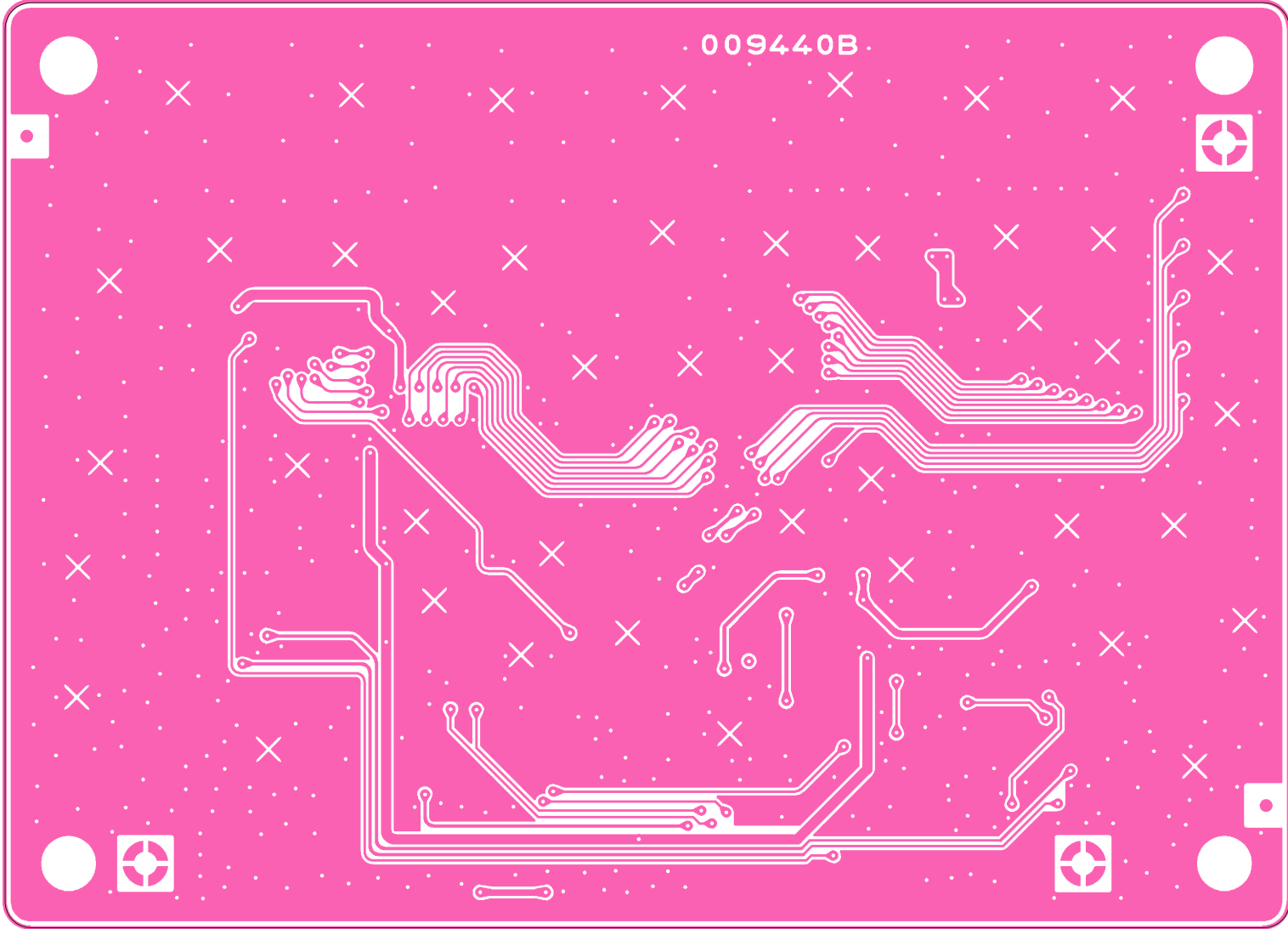




Side A



TUNER-CNTL Unit



Side B

# TUNER-CNTL Unit

## Parts List

REF	DESCRIPTION	VALUE	V/W	TOL.	MFR'S DESIG	VXSTD P/N	VERS.	LOT	SIDE	LAY ADR
PCB with Components						CB2021002	200W			
PCB with Components						CB2021003	400W			
Printed Circuit Board						FR009440B		1-		
C 6702	CHIP CAP.	0.01uF	50V	B	GRM188B11H103KA01D	K22174823		1-	A	C1
C 6703	CHIP CAP.	0.01uF	50V	B	GRM188B11H103KA01D	K22174823		1-	A	A2
C 6704	CHIP CAP.	0.01uF	50V	B	GRM188B11H103KA01D	K22174823		1-	A	C1
C 6705	CHIP CAP.	0.01uF	50V	B	GRM188B11H103KA01D	K22174823		1-	A	C1
C 6706	AL.ELECTRO.CAP.	220uF	16V		MVA16VC220MF80	K48120021		1-	A	A2
C 6707	CHIP CAP.	0.01uF	50V	B	GRM188B11H103KA01D	K22174823		1-	A	A2
C 6708	CHIP CAP.	0.001uF	50V	B	GRM188B11H102KA01D	K22174821		1-	A	A2
C 6709	AL.ELECTRO.CAP.	10uF	35V		ECEV1VA100WR	K48160004		1-	A	A2
C 6710	CHIP CAP.	0.001uF	50V	B	GRM188B11H102KA01D	K22174821		1-	A	A2
C 6711	CHIP CAP.	0.01uF	50V	B	GRM188B11H103KA01D	K22174823		1-	A	C2
C 6712	CHIP CAP.	0.01uF	50V	B	GRM188B11H103KA01D	K22174823		1-	A	A2
C 6713	CHIP CAP.	0.01uF	50V	B	GRM188B11H103KA01D	K22174823		1-	A	C2
C 6714	CHIP CAP.	0.01uF	50V	B	GRM188B11H103KA01D	K22174823		1-	A	B2
C 6715	CHIP CAP.	0.01uF	50V	B	GRM188B11H103KA01D	K22174823		1-	A	C2
C 6716	AL.ELECTRO.CAP.	1uF	50V		ECEV1HA010SR	K48170019		1-	A	C2
C 6717	CHIP CAP.	0.01uF	50V	B	GRM188B11H103KA01D	K22174823		1-	A	C2
C 6718	CHIP CAP.	0.01uF	50V	B	GRM188B11H103KA01D	K22174823		1-	A	C2
C 6719	CHIP CAP.	0.01uF	50V	B	GRM188B11H103KA01D	K22174823		1-	A	A2
C 6720	CHIP CAP.	0.01uF	50V	B	GRM188B11H103KA01D	K22174823		1-	A	C2
C 6721	AL.ELECTRO.CAP.	1uF	50V		ECEV1HA010SR	K48170019		1-	A	A2
C 6723	CHIP CAP.	0.01uF	50V	B	GRM188B11H103KA01D	K22174823		1-	A	C2
C 6724	CHIP CAP.	0.01uF	50V	B	GRM188B11H103KA01D	K22174823		1-	A	C2
C 6725	CHIP CAP.	0.01uF	50V	B	GRM188B11H103KA01D	K22174823		1-	A	B1
C 6726	CHIP CAP.	0.01uF	50V	B	GRM188B11H103KA01D	K22174823		1-	A	C2
C 6727	CHIP CAP.	0.01uF	50V	B	GRM188B11H103KA01D	K22174823		1-	A	C2
C 6728	AL.ELECTRO.CAP.	0.47uF	50V		ECEV1HAR47SR	K48170013		1-	A	B2
C 6729	CHIP CAP.	0.01uF	50V	B	GRM188B11H103KA01D	K22174823		1-	A	A2
C 6730	CHIP CAP.	0.01uF	50V	B	GRM188B11H103KA01D	K22174823		1-	A	C1
C 6731	CHIP CAP.	0.01uF	50V	B	GRM188B11H103KA01D	K22174823		1-	A	A2
C 6732	AL.ELECTRO.CAP.	1uF	50V		ECEV1HA010SR	K48170019		1-	A	C2
C 6733	AL.ELECTRO.CAP.	1uF	50V		ECEV1HA010SR	K48170019		1-	A	A2
C 6734	CHIP CAP.	0.01uF	50V	B	GRM188B11H103KA01D	K22174823		1-	A	C2
C 6735	CHIP CAP.	0.01uF	50V	B	GRM188B11H103KA01D	K22174823		1-	A	A2
C 6738	CHIP CAP.	0.01uF	50V	B	GRM188B11H103KA01D	K22174823		1-	A	C1
C 6740	CHIP CAP.	0.01uF	50V	B	GRM188B11H103KA01D	K22174823		1-	A	A1
C 6746	CHIP CAP.	0.01uF	50V	B	GRM188B11H103KA01D	K22174823		1-	A	C1
C 6747	CHIP CAP.	0.01uF	50V	B	GRM188B11H103KA01D	K22174823		1-	A	C1
C 6748	CHIP CAP.	0.01uF	50V	B	GRM188B11H103KA01D	K22174823		1-	A	C1
C 6749	CHIP CAP.	0.01uF	50V	B	GRM188B11H103KA01D	K22174823		1-	A	C1
C 6750	CHIP CAP.	0.01uF	50V	B	GRM188B11H103KA01D	K22174823		1-	A	C1
C 6751	CHIP CAP.	0.01uF	50V	B	GRM188B11H103KA01D	K22174823		1-	A	C1
C 6752	CHIP CAP.	0.01uF	50V	B	GRM188B11H103KA01D	K22174823		1-	A	C1
C 6762	AL.ELECTRO.CAP.	10uF	35V		ECEV1VA100WR	K48160004		1-	A	D1
C 6766	CHIP CAP.	0.01uF	50V	B	GRM188B11H103KA01D	K22174823		1-	A	B2
C 6767	AL.ELECTRO.CAP.	100uF	25V		ECEV1EA101UP	K48140013		1-	A	A2
C 6768	AL.ELECTRO.CAP.	100uF	25V		ECEV1EA101UP	K48140013		1-	A	A1
C 6769	CHIP CAP.	0.01uF	50V	B	GRM188B11H103KA01D	K22174823		1-	A	C2
C 6770	CHIP CAP.	0.01uF	50V	B	GRM188B11H103KA01D	K22174823		1-	A	C2
C 6771	CHIP CAP.	0.01uF	50V	B	GRM188B11H103KA01D	K22174823		1-	A	B3
C 6772	CHIP CAP.	0.001uF	50V	B	GRM188B11H102KA01D	K22174809		1-		
C 6773	CHIP CAP.	0.001uF	50V	B	GRM188B11H102KA01D	K22174809		1-		
C 6774	CERAMIC CAP.	0.001uF	50V	B	UP050B102K-A-B	K28179001		1-		
C 6775	CERAMIC CAP.	0.001uF	50V	B	UP050B102K-A-B	K28179001		1-		
C 6776	CERAMIC CAP.	330pF	50V	B	UP050B331K-A-B	K28179085		5-		
C 6777	CERAMIC CAP.	330pF	50V	B	UP050B331K-A-B	K28179085		5-		
CO6701	CERAMIC OSC				CSTCE16M0V53-R0	H7901480		1-	A	A2
D 6701	DIODE				BAS316	G2070716		1-	A	A2
D 6702	DIODE				BAS316	G2070716		1-	A	B2
D 6703	DIODE				BAS316	G2070716		1-	A	B2
D 6704	DIODE				BAS316	G2070716		1-	A	B2
D 6705	DIODE				BAS316	G2070716		1-	A	A2
D 6706	DIODE				BAS316	G2070716		1-	A	B1
D 6707	DIODE				BAS316	G2070716		1-	A	B1
D 6708	DIODE				BAS316	G2070716		1-	A	B2
D 6709	DIODE				BAS316	G2070716		1-3	A	B3
D 6709	DIODE				BAS316	G2070716	200W	4-	A	B3
J 6701	CONNECTOR				IL-FHR-F30S-HF-E3000	P1091027		1-	A	A3
J 6702	CONNECTOR				S3B-PH-SM3-TB	P0091347		1-	A	C2
J 6703	CONNECTOR				S8B-PH-SM3-TB	P0091346		1-	A	C2
J 6704	CONNECTOR				S5B-PH-SM3-TB	P0091344		1-	A	A1

# TUNER-CNTL Unit

## Parts List

REF	DESCRIPTION	VALUE	V/W	TOL.	MFR'S DESIG	VXSTD P/N	VERS.	LOT	SIDE	LAY ADR
J 6705	CONNECTOR				S5B-PH-SM3-TB	P0091344		1-	A	B1
J 6708	CONNECTOR				S8B-PH-SM3-TB	P0091346		1-	A	B1
J 6709	CONNECTOR				S7B-PH-SM3-TB	P0091345		1-	A	C1
J 6710	CONNECTOR				S7B-PH-SM3-TB	P0091345		1-	A	C3
J 6711	CONNECTOR				S3B-PH-SM3-TB	P0091347		1-	A	C3
J 6712	CONNECTOR				S2B-PH-SM3-TB	P0091352		1-	A	B3
JP6701	WIRE ASSY				GRN 20 2/2	T50502000	400W	4-	A	C2
L 6703	M.RFC	56uH			LLM3225-560J	L1691142		1-	A	A1
L 6704	M.RFC	56uH			LLM3225-560J	L1691142		1-	A	A1
L 6705	M.RFC	56uH			LLM3225-560J	L1691142		1-	A	A1
L 6706	M.RFC	56uH			LLM3225-560J	L1691142		1-	A	A1
L 6707	M.RFC	56uH			LLM3225-560J	L1691142		1-	A	A1
L 6708	M.RFC	56uH			LLM3225-560J	L1691142		1-	A	B1
L 6709	M.RFC	56uH			LLM3225-560J	L1691142		1-	A	B1
L 6710	M.RFC	56uH			LLM3225-560J	L1691142		1-	A	B1
L 6711	M.RFC	56uH			LLM3225-560J	L1691142		1-	A	B1
L 6712	M.RFC	56uH			LLM3225-560J	L1691142		1-	A	A1
L 6713	M.RFC	56uH			LLM3225-560J	L1691142		1-	A	C1
L 6714	M.RFC	56uH			LLM3225-560J	L1691142		1-	A	C1
L 6715	M.RFC	56uH			LLM3225-560J	L1691142		1-	A	C1
L 6716	M.RFC	56uH			LLM3225-560J	L1691142		1-	A	C1
L 6717	M.RFC	56uH			LLM3225-560J	L1691142		1-	A	C1
L 6718	M.RFC	56uH			LLM3225-560J	L1691142		1-	A	C1
L 6719	M.RFC	56uH			LLM3225-560J	L1691142		1-	A	C1
L 6720	M.RFC	56uH			LLM3225-560J	L1691142		1-	A	B1
L 6721	M.RFC	56uH			LLM3225-560J	L1691142		1-	A	B1
L 6722	M.RFC	56uH			LLM3225-560J	L1691142		1-	A	B1
L 6723	M.RFC	56uH			LLM3225-560J	L1691142		1-	A	B1
L 6724	M.RFC	56uH			LLM3225-560J	L1691142		1-	A	B1
L 6725	M.RFC	56uH			LLM3225-560J	L1691142		1-	A	C1
L 6726	M.RFC	56uH			LLM3225-560J	L1691142		1-	A	C1
L 6727	M.RFC	56uH			LLM3225-560J	L1691142		1-	A	C1
L 6728	M.RFC	56uH			LLM3225-560J	L1691142		1-	A	C1
L 6729	M.RFC	56uH			LLM3225-560J	L1691142		1-	A	B2
Q 6701	IC				NJM78L05UA-TE1	G1091325		1-	A	A2
Q 6702	TRANSISTOR				DTC114EUA T106	G3070084		1-	A	B2
Q 6703	TRANSISTOR				2SC4154-T11-1E	G3341548E		1-	A	A2
Q 6704	TRANSISTOR				2SA1602A-T11-1F	G3116028F		1-	A	A2
Q 6705	IC				BR93L46F-WE2	G1093884		1-	A	C2
Q 6706	TRANSISTOR				DTC114YUA T106	G3070298		1-	A	B2
Q 6707	IC				TD62783AFN(EL)	G1092700		1-	A	C1
Q 6708	IC				HD6433334YA07F	G1092665		1-	A	B2
Q 6709	IC				TD62083F(EL)	G1094129		1-	A	A1
Q 6709	IC				TD62083AF(EL)	G1094247		4-	A	A1
Q 6710	IC				TD62783AFN(EL)	G1092700		1-	A	C1
Q 6711	IC				NJM4558V-TE1	G1093250		1-	A	C2
Q 6712	TRANSISTOR				DTD123YK T146	G3070157		1-	A	B3
Q 6713	TRANSISTOR				DTA144EE TL	G3070074		1-3	A	B3
Q 6713	TRANSISTOR				DTA144EE TL	G3070074	200W	4-	A	B3
R 6701	CHIP RES.	10k	1/16W	5%	RMC1/16 103JATP	J24185103		1-	A	C2
R 6702	CHIP RES.	10k	1/16W	5%	RMC1/16 103JATP	J24185103		1-	A	C2
R 6703	CHIP RES.	47	1/2W	5%	RMC1/2 470JCTP	J24275470		1-	A	A2
R 6704	CHIP RES.	100k	1/16W	5%	RMC1/16 104JATP	J24185104		1-	A	C2
R 6705	CHIP RES.	100k	1/16W	5%	RMC1/16 104JATP	J24185104		1-	A	C2
R 6706	CHIP RES.	47k	1/16W	5%	RMC1/16 473JATP	J24185473		1-	A	C2
R 6707	CHIP RES.	47k	1/16W	5%	RMC1/16 473JATP	J24185473		1-	A	C2
R 6708	CHIP RES.	56k	1/16W	5%	RMC1/16 563JATP	J24185563		1-	A	C2
R 6709	CHIP RES.	22k	1/16W	5%	RMC1/16 223JATP	J24185223		1-	A	C2
R 6710	CHIP RES.	1k	1/16W	5%	RMC1/16 102JATP	J24185102		1-	A	B2
R 6711	CHIP RES.	22k	1/16W	5%	RMC1/16 223JATP	J24185223		1-	A	A2
R 6712	CHIP RES.	4.7k	1/16W	5%	RMC1/16 472JATP	J24185472		1-	A	A2
R 6714	CHIP RES.	4.7k	1/16W	5%	RMC1/16 472JATP	J24185472		1-	A	A2
R 6718	CHIP RES.	47k	1/16W	5%	RMC1/16 473JATP	J24185473		1-	A	C2
R 6724	CHIP RES.	47k	1/16W	5%	RMC1/16 473JATP	J24185473		1-	A	C2
R 6733	CHIP RES.	47k	1/16W	5%	RMC1/16 473JATP	J24185473		1-	A	B2
R 6737	CHIP RES.	1M	1/16W	5%	RMC1/16 105JATP	J24185105		1-	A	B2
R 6738	CHIP RES.	47k	1/16W	5%	RMC1/16 473JATP	J24185473		1-	A	A2
R 6739	CHIP RES.	47k	1/16W	5%	RMC1/16 473JATP	J24185473		1-	A	B2
R 6740	CHIP RES.	47k	1/16W	5%	RMC1/16 473JATP	J24185473		1-	A	A2
R 6749	CHIP RES.	0	1/16W	5%	RMC1/16 000JATP	J24185000		1-	A	A1
R 6750	CHIP RES.	47k	1/16W	5%	RMC1/16 473JATP	J24185473		1-	A	C2
R 6751	CHIP RES.	47k	1/16W	5%	RMC1/16 473JATP	J24185473		1-3	A	C2
R 6751	CHIP RES.	47k	1/16W	5%	RMC1/16 473JATP	J24185473	200W	4-	A	C2

# TUNER-CNTL Unit

## Parts List

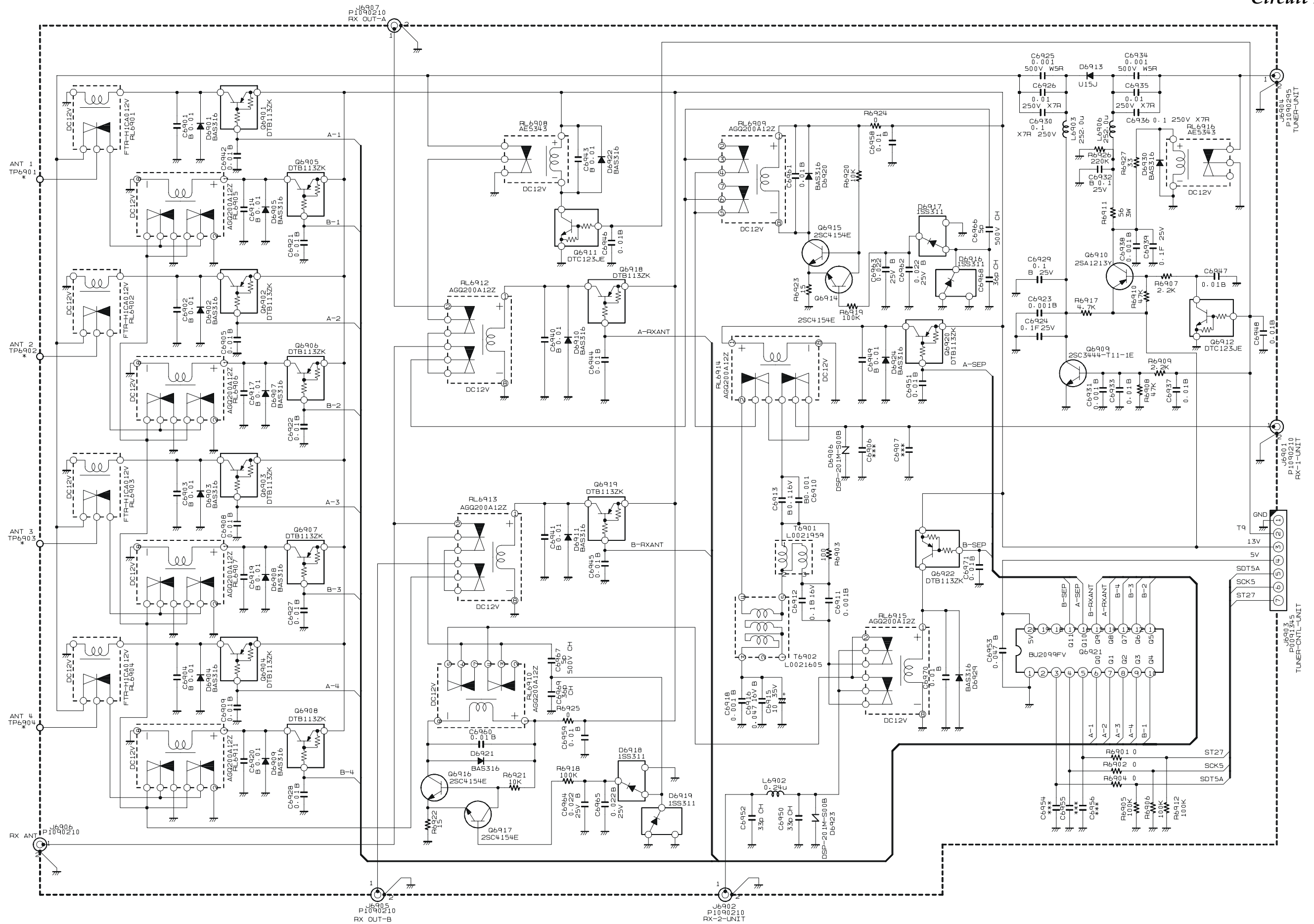
REF	DESCRIPTION	VALUE	V/W	TOL.	MFR'S DESIG	VXSTD P/N	VERS.	LOT	SIDE	LAY ADR
R 6751	CHIP RES.	33k	1/16W	5%	RMC1/16 333JATP	J24185333	400W	4-	A	C2
R 6752	CHIP RES.	47k	1/16W	5%	RMC1/16 473JATP	J24185473		1-	A	C2
R 6753	CHIP RES.	150k	1/16W	5%	RMC1/16 154JATP	J24185154		1-3	A	C2
R 6753	CHIP RES.	150k	1/16W	5%	RMC1/16 154JATP	J24185154	200W	4-	A	C2
R 6753	CHIP RES.	47k	1/16W	5%	RMC1/16 473JATP	J24185473	400W	4-	A	C2
R 6754	CHIP RES.	22	1/4W	5%	RMC1/4 220JATP	J24245220		1-3	A	B2
R 6754	CHIP RES.	22	1/4W	5%	RMC1/4 220JATP	J24245220	200W	4-	A	B2
R 6754	CHIP RES.	10	1/4W	5%	RMC1/4 100JATP	J24245100	400W	4-	A	B2
RB6701	BLOCK RES.				MNR18E0APJ473	J42900034		1-	A	B2
RB6702	BLOCK RES.				MNR14E0ABJ473	J42900031		1-	A	C2
RB6703	BLOCK RES.				MNR18E0APJ473	J42900034		1-	A	B2
RB6704	BLOCK RES.				MNR18E0APJ473	J42900034		1-	A	B2

# *TUNER-CNTL Unit*

*Note*

# ANT Unit (D, Contest Type)

## Circuit Diagram



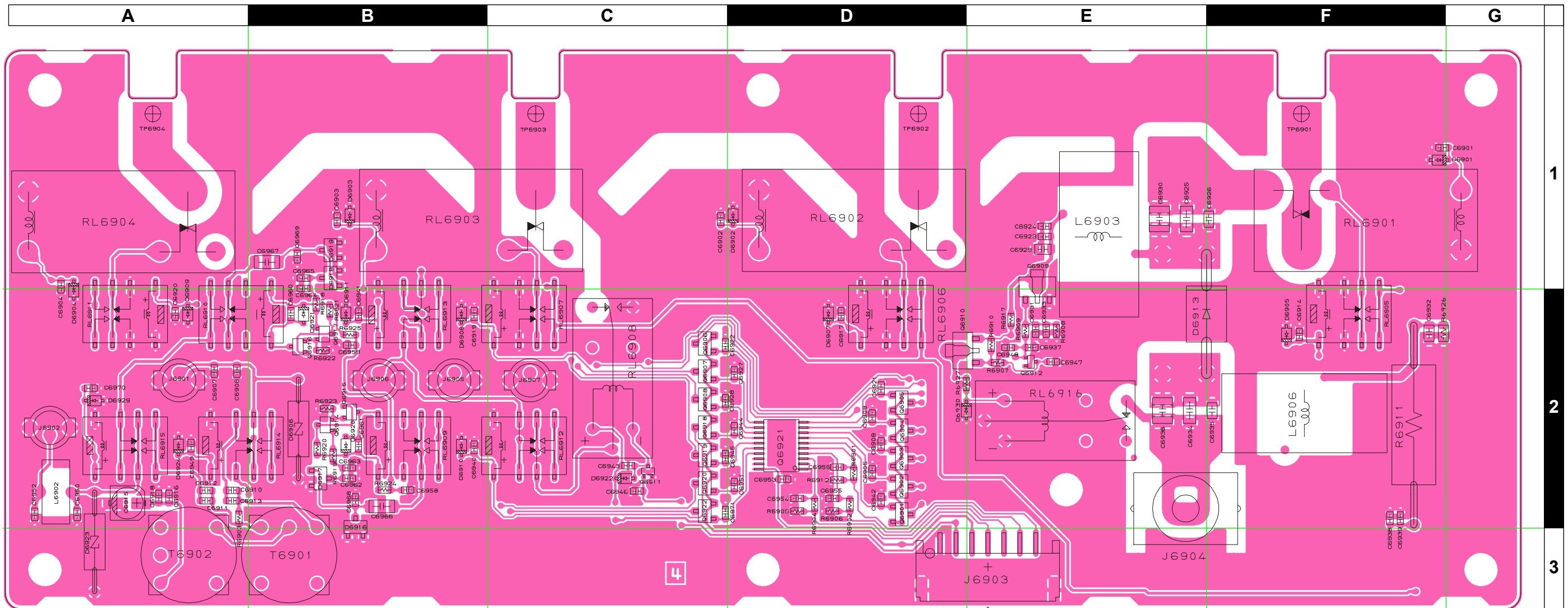
*ANT Unit (D, Contest Type)*

*Note*

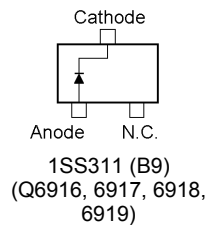
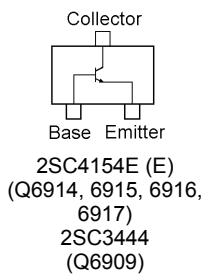
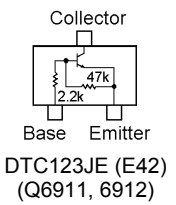
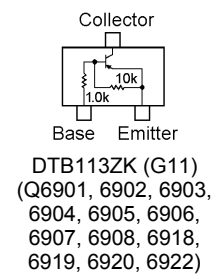
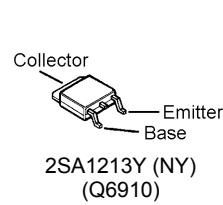
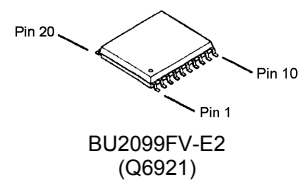


# ANT Unit (D, Contest Type)

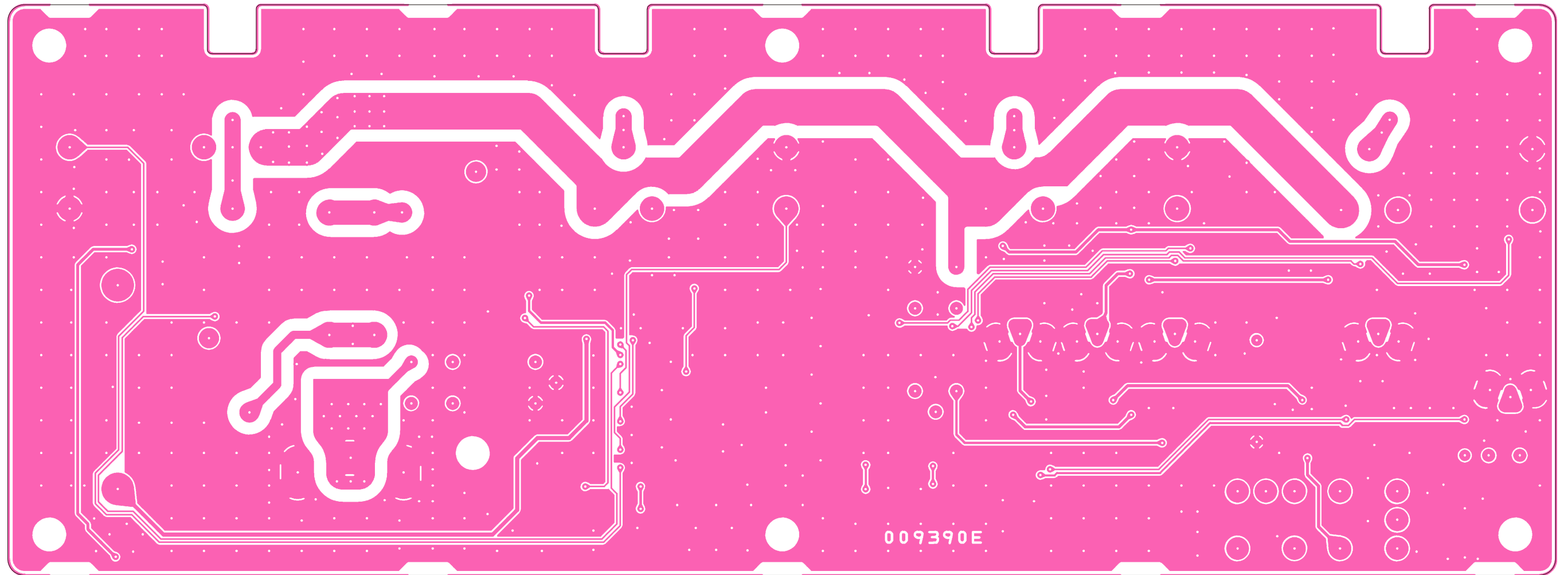
## Parts Layout



Side A



*ANT Unit (D, Contest Type)*



Side B

# ANT Unit (D, Contest Type)

## Parts List

REF	DESCRIPTION	VALUE	V/W	TOL.	MFR'S DESIG	VXSTD P/N	VERS.	LOT	SIDE	LAY ADR
	PCB with Components					CB2196001				
	Printed Circuit Board					FR009390C 1				
	Printed Circuit Board					FR009390D 2-				
	Printed Circuit Board					FR009390E 4-				
C 6901	CHIP CAP.	0.01uF	50V	B	GRM188B11H103KA01D	K22174823		1-	A	G1
C 6902	CHIP CAP.	0.01uF	50V	B	GRM188B11H103KA01D	K22174823		1-	A	C1
C 6903	CHIP CAP.	0.01uF	50V	B	GRM188B11H103KA01D	K22174823		1-	A	B1
C 6904	CHIP CAP.	0.01uF	50V	B	GRM188B11H103KA01D	K22174823		1-	A	A1
C 6905	CHIP CAP.	0.01uF	50V	B	GRM188B11H103KA01D	K22174823		1-	A	D2
C 6908	CHIP CAP.	0.01uF	50V	B	GRM188B11H103KA01D	K22174823		1-	A	D2
C 6909	CHIP CAP.	0.01uF	50V	B	GRM188B11H103KA01D	K22174823		1-	A	D2
C 6910	CHIP CAP.	0.001uF	50V	B	GRM188B11H102KA01D	K22174821		1-	A	A2
C 6911	CHIP CAP.	0.001uF	50V	B	GRM188B11H102KA01D	K22174821		1-	A	A2
C 6912	CHIP CAP.	0.1uF	16V	B	GRM188B11C104KA01D	K22124805		1-	A	A2
C 6913	CHIP CAP.	0.1uF	16V	B	GRM188B11C104KA01D	K22124805		1-	A	A2
C 6914	CHIP CAP.	0.01uF	50V	B	GRM188B11H103KA01D	K22174823		1-	A	F1
C 6915	AL.ELECTRO.CAP.	10uF	35V		ECEV1VA100WR	K48160004		1-	A	A2
C 6916	CHIP CAP.	0.047uF	16V	B	GRM39B473K16PT	K22124804		1-	A	A2
C 6917	CHIP CAP.	0.01uF	50V	B	GRM188B11H103KA01D	K22174823		1-	A	D1
C 6918	CHIP CAP.	0.001uF	50V	B	GRM188B11H102KA01D	K22174821		1-	A	A2
C 6919	CHIP CAP.	0.01uF	50V	B	GRM188B11H103KA01D	K22174823		1-	A	B1
C 6920	CHIP CAP.	0.01uF	50V	B	GRM188B11H103KA01D	K22174823		1-	A	A1
C 6921	CHIP CAP.	0.01uF	50V	B	GRM188B11H103KA01D	K22174823		1-	A	D2
C 6922	CHIP CAP.	0.01uF	50V	B	GRM188B11H103KA01D	K22174823		1-	A	D1
C 6923	CHIP CAP.	0.001uF	50V	B	GRM188B11H102KA01D	K22174821		1-	A	E1
C 6924	CHIP CAP.	0.1uF	25V	F	GRM39F104Z25PT	K22145001		1-	A	E1
C 6925	CHIP CAP.	0.001uF	500V	W5R	GRM42-6W5R102K500PT	K22271801		1	A	E1
C 6925	CHIP CAP.	0.001uF	500V	W5R	CF316W5R102K500AT	K22271802		2-	A	E1
C 6926	CHIP CAP.	0.01uF	250V	X7R	GRM21BR72E103KW03L	K22240801		1-	A	F1
C 6927	CHIP CAP.	0.01uF	50V	B	GRM188B11H103KA01D	K22174823		1-	A	D1
C 6928	CHIP CAP.	0.01uF	50V	B	GRM188B11H103KA01D	K22174823		1-	A	D2
C 6929	CHIP CAP.	0.1uF	25V	B	GRM40B104M25PT	K22140811		1-	A	E1
C 6930	CHIP CAP.	0.1uF	250V	X7R	GRM32DR72E104KW01L	K22245801		1-	A	E1
C 6931	CHIP CAP.	0.001uF	50V	B	GRM188B11H102KA01D	K22174821		1-	A	E1
C 6932	CHIP CAP.	0.1uF	25V	B	GRM40B104M25PT	K22140811		1-	A	F1
C 6933	CHIP CAP.	0.01uF	50V	B	GRM188B11H103KA01D	K22174823		1-	A	E1
C 6934	CHIP CAP.	0.001uF	500V	W5R	GRM42-6W5R102K500PT	K22271801		1	A	E2
C 6934	CHIP CAP.	0.001uF	500V	W5R	CF316W5R102K500AT	K22271802		2-	A	E2
C 6935	CHIP CAP.	0.01uF	250V	X7R	GRM21BR72E103KW03L	K22240801		1-	A	F2
C 6936	CHIP CAP.	0.1uF	250V	X7R	GRM32DR72E104KW01L	K22245801		1-	A	E2
C 6937	CHIP CAP.	0.01uF	50V	B	GRM188B11H103KA01D	K22174823		1-	A	E1
C 6938	CHIP CAP.	0.001uF	50V	B	GRM188B11H102KA01D	K22174821		1-	A	F2
C 6939	CHIP CAP.	0.1uF	25V	F	GRM39F104Z25PT	K22145001		1-	A	F2
C 6940	CHIP CAP.	0.01uF	50V	B	GRM188B11H103KA01D	K22174823		1-	A	B2
C 6941	CHIP CAP.	0.01uF	50V	B	GRM188B11H103KA01D	K22174823		1-	A	B1
C 6942	CHIP CAP.	0.01uF	50V	B	GRM188B11H103KA01D	K22174823		1-	A	D2
C 6943	CHIP CAP.	0.01uF	50V	B	GRM188B11H103KA01D	K22174823		1-	A	C2
C 6944	CHIP CAP.	0.01uF	50V	B	GRM188B11H103KA01D	K22174823		1-	A	D2
C 6945	CHIP CAP.	0.01uF	50V	B	GRM188B11H103KA01D	K22174823		1-	A	D2
C 6946	CHIP CAP.	0.01uF	50V	B	GRM188B11H103KA01D	K22174823		1-	A	C2
C 6947	CHIP CAP.	0.01uF	50V	B	GRM188B11H103KA01D	K22174823		1-	A	E1
C 6948	CHIP CAP.	0.01uF	50V	B	GRM188B11H103KA01D	K22174823		1-	A	E1
C 6949	CHIP CAP.	0.01uF	50V	B	GRM188B11H103KA01D	K22174823		1-	A	A2
C 6950	CHIP CAP.	33pF	50V	CH	GRM1882C1H330JA01D	K22174223		1-	A	A2
C 6951	CHIP CAP.	0.01uF	50V	B	GRM188B11H103KA01D	K22174823		1-	A	D2
C 6952	CHIP CAP.	33pF	50V	CH	GRM1882C1H330JA01D	K22174223		1-	A	A2
C 6953	CHIP CAP.	0.047uF	16V	B	GRM39B473K16PT	K22124804		1-	A	D2
C 6958	CHIP CAP.	0.01uF	50V	B	GRM188B11H103KA01D	K22174823		1-	A	B2
C 6959	CHIP CAP.	0.01uF	50V	B	GRM188B11H103KA01D	K22174823		1-	A	B1
C 6960	CHIP CAP.	0.01uF	50V	B	GRM188B11H103KA01D	K22174823		1-	A	B1
C 6961	CHIP CAP.	0.01uF	50V	B	GRM188B11H103KA01D	K22174823		1-	A	B2
C 6962	CHIP CAP.	0.022uF	25V	B	GRM39B223K25PT	K22144807		1-	A	B2
C 6963	CHIP CAP.	0.022uF	25V	B	GRM39B223K25PT	K22144807		1-	A	B2
C 6964	CHIP CAP.	0.022uF	25V	B	GRM39B223K25PT	K22144807		1-	A	B1
C 6965	CHIP CAP.	0.022uF	25V	B	GRM39B223K25PT	K22144807		1-	A	B1
C 6966	CHIP CAP.	5pF	500V	CH	GRM42-6CH050C500PT	K22271208		1	A	B2
C 6966	CHIP CAP.	5pF	500V	CH	CF316CH050C500AT	K22271250		2-	A	B2
C 6967	CHIP CAP.	5pF	500V	CH	GRM42-6CH050C500PT	K22271208		1	A	B1
C 6967	CHIP CAP.	5pF	500V	CH	CF316CH050C500AT	K22271250		2-	A	B1
C 6968	CHIP CAP.	36pF	50V	CH	GRM1882C1H360JZ01D	K22174224		1-	A	B2
C 6969	CHIP CAP.	36pF	50V	CH	GRM1882C1H360JZ01D	K22174224		1-	A	B1
C 6970	CHIP CAP.	0.01uF	50V	B	GRM188B11H103KA01D	K22174823		1-	A	A2
C 6971	CHIP CAP.	0.01uF	50V	B	GRM188B11H103KA01D	K22174823		1-	A	D2

# ANT Unit (D, Contest Type)

## Parts List

REF	DESCRIPTION	VALUE	V/W	TOL.	MFR'S DESIG	VXSTD P/N	VERS.	LOT	SIDE	LAY ADR
D 6901	DIODE				BAS316	G2070716		1-	A	F1
D 6902	DIODE				BAS316	G2070716		1-	A	D1
D 6903	DIODE				BAS316	G2070716		1-	A	B1
D 6904	DIODE				BAS316	G2070716		1-	A	A1
D 6905	DIODE				BAS316	G2070716		1-	A	F1
D 6906	SURGE ABSORBER				DSP201M-S00B	Q9000375		1-	A	B2
D 6907	DIODE				BAS316	G2070716		1-	A	D1
D 6908	DIODE				BAS316	G2070716		1-	A	B1
D 6909	DIODE				BAS316	G2070716		1-	A	A1
D 6910	DIODE				BAS316	G2070716		1-	A	B2
D 6911	DIODE				BAS316	G2070716		1-	A	B1
D 6913	DIODE				U15J	G2090572		1-	A	F1
D 6913	DIODE				U15J	G2090572		4-	A	F1
D 6916	DIODE				1SS311 TE85R	G2070460		1-	A	B2
D 6917	DIODE				1SS311 TE85R	G2070460		1-	A	B2
D 6918	DIODE				1SS311 TE85R	G2070460		1-	A	B1
D 6919	DIODE				1SS311 TE85R	G2070460		1-	A	B1
D 6920	DIODE				BAS316	G2070716		1-	A	B2
D 6921	DIODE				BAS316	G2070716		1-	A	B1
D 6922	DIODE				BAS316	G2070716		1-	A	C2
D 6923	SURGE ABSORBER				DSP201M-S00B	Q9000375		1-	A	A2
D 6924	DIODE				BAS316	G2070716		1-	A	A2
D 6929	DIODE				BAS316	G2070716		1-	A	A2
D 6930	DIODE				1SS270	G2090408		1-	A	E2
D 6930	DIODE				BAS316	G2070716		4-	A	E2
J 6901	CONNECTOR				TMP-J01X-V6	P1090210		1-	A	A1
J 6902	CONNECTOR				TMP-J01X-V6	P1090210		1-	A	A2
J 6903	CONNECTOR				S7B-PH-SM3-TB	P0091345		1-	A	E2
J 6904	CONNECTOR				S-Q3063#01	P1090295		1-	A	E2
J 6905	CONNECTOR				TMP-J01X-V6	P1090210		1-	A	B1
J 6906	CONNECTOR				TMP-J01X-V6	P1090210		1-	A	B1
J 6907	CONNECTOR				TMP-J01X-V6	P1090210		1-	A	C1
JP6900	WIRE ASSY				GRN 40 2/2	T50504000		1		
JP6901	WIRE ASSY				GRN 20 2/2	T50502000		1		
L 6902	TOROIDAL COIL	0.24uH			0.240U T25-6	L0020898		1-	A	A2
L 6903	TOROIDAL COIL	252uH			252.0U D12A TR16	L0022881A		1-	A	E1
L 6906	TOROIDAL COIL	252uH			252.0U D12A TR16	L0022881A		1-	A	F1
Q 6901	TRANSISTOR				DTB113ZK T146	G3070103		1-	A	D2
Q 6902	TRANSISTOR				DTB113ZK T146	G3070103		1-	A	D2
Q 6903	TRANSISTOR				DTB113ZK T146	G3070103		1-	A	D2
Q 6904	TRANSISTOR				DTB113ZK T146	G3070103		1-	A	D2
Q 6905	TRANSISTOR				DTB113ZK T146	G3070103		1-	A	D2
Q 6906	TRANSISTOR				DTB113ZK T146	G3070103		1-	A	C1
Q 6907	TRANSISTOR				DTB113ZK T146	G3070103		1-	A	C1
Q 6908	TRANSISTOR				DTB113ZK T146	G3070103		1-	A	C2
Q 6909	TRANSISTOR				2SC3444-T11-1E	G3334448E		1-	A	E1
Q 6910	TRANSISTOR				2SA1213Y TE12R	G3112137Y		1-	A	E1
Q 6911	TRANSISTOR				DTC123JE TL	G3070323		1-	A	C2
Q 6912	TRANSISTOR				DTC123JE TL	G3070323		1-	A	E1
Q 6914	TRANSISTOR				2SC4154-T11-1E	G3341548E		1-	A	B2
Q 6915	TRANSISTOR				2SC4154-T11-1E	G3341548E		1-	A	B2
Q 6916	TRANSISTOR				2SC4154-T11-1E	G3341548E		1-	A	B1
Q 6917	TRANSISTOR				2SC4154-T11-1E	G3341548E		1-	A	B1
Q 6918	TRANSISTOR				DTB113ZK T146	G3070103		1-	A	C2
Q 6919	TRANSISTOR				DTB113ZK T146	G3070103		1-	A	C2
Q 6920	TRANSISTOR				DTB113ZK T146	G3070103		1-	A	C2
Q 6921	IC				BU2099FV-E2	G1093243		1-	A	D2
Q 6922	TRANSISTOR				DTB113ZK T146	G3070103		1-	A	C2
R 6901	CHIP RES.	0	1/16W	5%	RMC1/16 000JATP	J24185000		1-	A	D2
R 6902	CHIP RES.	0	1/16W	5%	RMC1/16 000JATP	J24185000		1-	A	D2
R 6903	CHIP RES.	100	1/16W	5%	RMC1/16 101JATP	J24185101		1-	A	A2
R 6904	CHIP RES.	0	1/16W	5%	RMC1/16 000JATP	J24185000		1-	A	D2
R 6905	CHIP RES.	100k	1/16W	5%	RMC1/16 104JATP	J24185104		1-	A	D2
R 6906	CHIP RES.	100k	1/16W	5%	RMC1/16 104JATP	J24185104		1-	A	D2
R 6907	CHIP RES.	2.2k	1/16W	5%	RMC1/16 222JATP	J24185222		1-	A	E1
R 6908	CHIP RES.	47k	1/16W	5%	RMC1/16 473JATP	J24185473		1-	A	E1
R 6909	CHIP RES.	2.2k	1/16W	5%	RMC1/16 222JATP	J24185222		1-	A	E1
R 6910	CHIP RES.	47k	1/16W	5%	RMC1/16 473JATP	J24185473		1-	A	E1
R 6911	METAL FILM RES.	82	3W	5%	ERG-3SJ820 82	J22355820		1-	A	F2
R 6911	METAL FILM RES.	56	3W	5%	ERG-3SJ560 56	J22359035		3-	A	F2
R 6912	CHIP RES.	100k	1/16W	5%	RMC1/16 104JATP	J24185104		1-	A	D2
R 6917	CHIP RES.	4.7k	1/16W	5%	RMC1/16 472JATP	J24185472		1-	A	E1
R 6918	CHIP RES.	100k	1/16W	5%	RMC1/16 104JATP	J24185104		1-	A	B1

# ANT Unit (D, Contest Type)

## Parts List

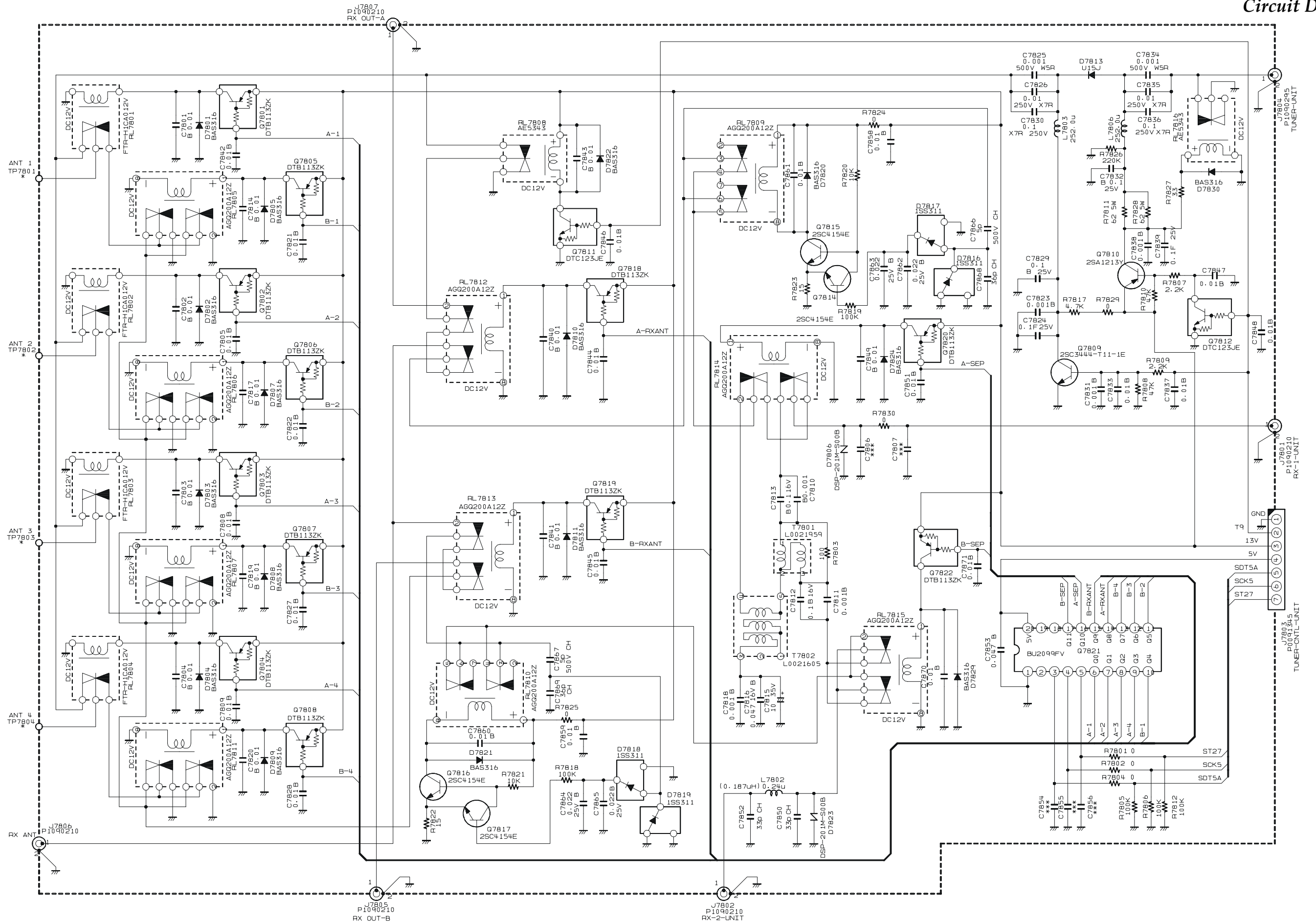
REF	DESCRIPTION	VALUE	V/W	TOL.	MFR'S DESIG	VXSTD P/N	VERS.	LOT	SIDE	LAY ADR
R 6919	CHIP RES.	100k	1/16W	5%	RMC1/16 104JATP	J24185104		1-	A	B2
R 6920	CHIP RES.	10k	1/16W	5%	RMC1/16 103JATP	J24185103		1-	A	B2
R 6921	CHIP RES.	10k	1/16W	5%	RMC1/16 103JATP	J24185103		1-	A	B1
R 6922	CHIP RES.	15	1/16W	5%	RMC1/16 150JATP	J24185150		1-	A	B1
R 6923	CHIP RES.	15	1/16W	5%	RMC1/16 150JATP	J24185150		1-	A	B2
R 6924	CHIP RES.	0	1/16W	5%	RMC1/16 000JATP	J24185000		1-	A	B2
R 6925	CHIP RES.	0	1/16W	5%	RMC1/16 000JATP	J24185000		1-	A	B1
R 6926	CHIP RES.	220k	1/10W	5%	RMC1/10T 224J	J24205224		1-	A	G1
R 6927	CARBON FILM RES.	33	1/6W	5%	RD16TPJ330 33	J07225330		1-	A	E2
R 6927	CHIP RES.	33	1/16W	5%	RMC1/16 330JATP	J24185330		4-	A	E2
R 6928	METAL FILM RES.	150	2W	5%	ERG-2SJ151P 150	J22339010		2		
RL6901	RELAY		DC12V		FTR-H1CA012V DC12V	M1190148		1-	A	F1
RL6902	RELAY		DC12V		FTR-H1CA012V DC12V	M1190148		1-	A	D1
RL6903	RELAY		DC12V		FTR-H1CA012V DC12V	M1190148		1-	A	C1
RL6904	RELAY		DC12V		FTR-H1CA012V DC12V	M1190148		1-	A	A1
RL6905	RELAY		DC12V		AGQ200A12Z DC12V	M1190188		1-	A	F1
RL6906	RELAY		DC12V		AGQ200A12Z DC12V	M1190188		1-	A	D1
RL6907	RELAY		DC12V		AGQ200A12Z DC12V	M1190188		1-	A	C1
RL6908	RELAY		DC12V		AE5343 DC12V	M1190005		1-	A	C2
RL6909	RELAY		DC12V		AGQ200A12Z DC12V	M1190188		1-	A	B2
RL6910	RELAY		DC12V		AGQ200A12Z DC12V	M1190188		1-	A	A1
RL6911	RELAY		DC12V		AGQ200A12Z DC12V	M1190188		1-	A	A1
RL6912	RELAY		DC12V		AGQ200A12Z DC12V	M1190188		1-	A	C2
RL6913	RELAY		DC12V		AGQ200A12Z DC12V	M1190188		1-	A	B1
RL6914	RELAY		DC12V		AGQ200A12Z DC12V	M1190188		1-	A	A2
RL6915	RELAY		DC12V		AGQ200A12Z DC12V	M1190188		1-	A	A2
RL6916	RELAY		DC12V		AE5343 DC12V	M1190005		1-	A	E2
T 6901	COIL 10WIDE				3A 9X5X5	L0021959		1-	A	B2
T 6902	COIL 10WIDE				9-1 2001F	L0021605		1-	A	A2

## *ANT Unit (D, Contest Type)*

*Note*

# ANT-A Unit (MP Type)

## Circuit Diagram



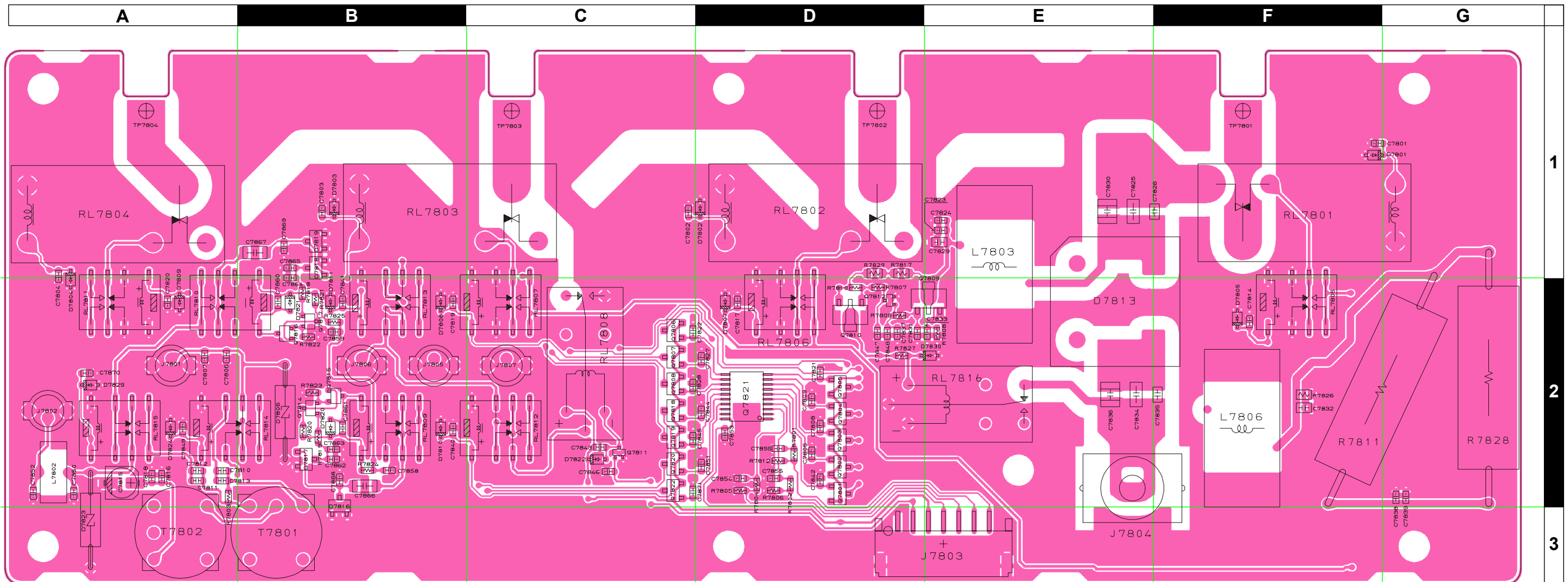
## *ANT-A Unit (MP Type)*

*Note*

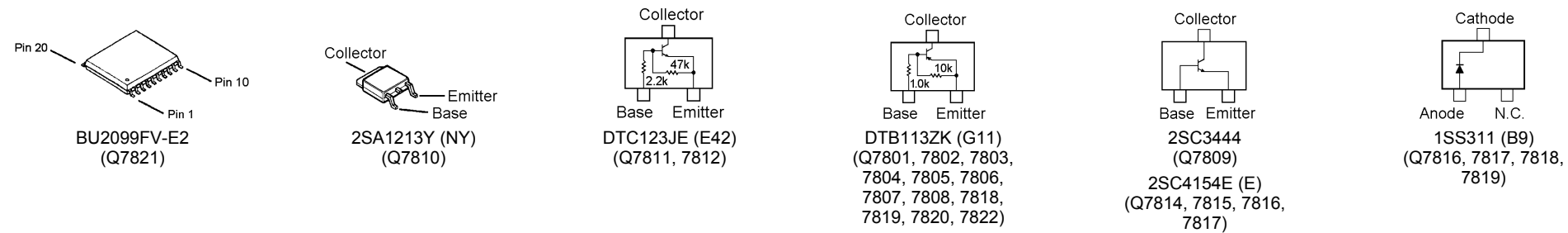


# ANT-A Unit (MP Type)

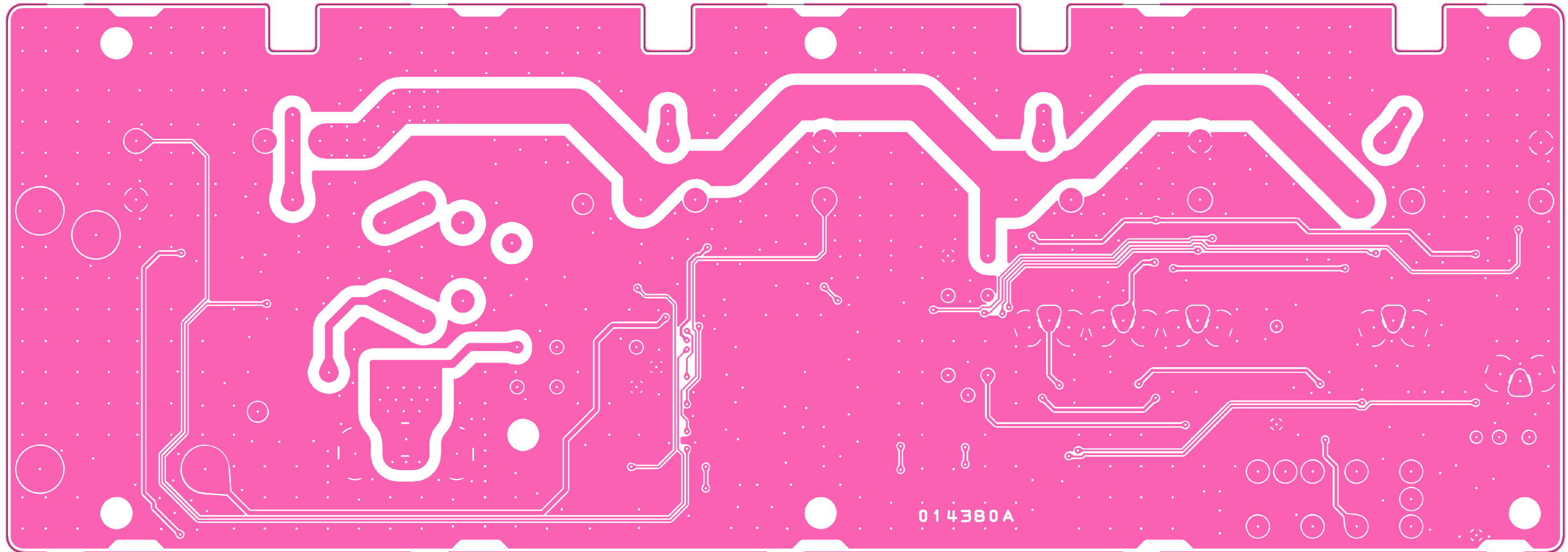
## Parts Layout



Side A



*ANT-A Unit (MP Type)*



Side B

# ANT-A Unit (MP Type)

## Parts List

REF	DESCRIPTION	VALUE	V/W	TOL.	MFR'S DESIG	VXSTD P/N	VERS.	LOT	SIDE	LAY ADR	
PCB with Components						CB3430001					
Printed Circuit Board						FR014380A			4-		
C 7801	CHIP CAP.	0.01uF	50V	B	GRM188B11H103KA01D	K22174823		1-	A	G1	
C 7802	CHIP CAP.	0.01uF	50V	B	GRM188B11H103KA01D	K22174823		1-	A	C1	
C 7803	CHIP CAP.	0.01uF	50V	B	GRM188B11H103KA01D	K22174823		1-	A	B1	
C 7804	CHIP CAP.	0.01uF	50V	B	GRM188B11H103KA01D	K22174823		1-	A	A1	
C 7805	CHIP CAP.	0.01uF	50V	B	GRM188B11H103KA01D	K22174823		1-	A	D2	
C 7808	CHIP CAP.	0.01uF	50V	B	GRM188B11H103KA01D	K22174823		1-	A	D2	
C 7809	CHIP CAP.	0.01uF	50V	B	GRM188B11H103KA01D	K22174823		1-	A	D2	
C 7810	CHIP CAP.	0.001uF	50V	B	GRM188B11H102KA01D	K22174821		1-	A	A2	
C 7811	CHIP CAP.	0.001uF	50V	B	GRM188B11H102KA01D	K22174821		1-	A	A2	
C 7812	CHIP CAP.	0.1uF	16V	B	GRM188B11C104KA01D	K22124805		1-	A	A2	
C 7813	CHIP CAP.	0.1uF	16V	B	GRM188B11C104KA01D	K22124805		1-	A	A2	
C 7814	CHIP CAP.	0.01uF	50V	B	GRM188B11H103KA01D	K22174823		1-	A	F1	
C 7815	AL.ELECTRO.CAP.	10uF	35V		ECEV1VA100WR	K48160004		1-	A	A2	
C 7816	CHIP CAP.	0.047uF	16V	B	GRM39B473K16PT	K22124804		1-	A	A2	
C 7817	CHIP CAP.	0.01uF	50V	B	GRM188B11H103KA01D	K22174823		1-	A	D1	
C 7818	CHIP CAP.	0.001uF	50V	B	GRM188B11H102KA01D	K22174821		1-	A	A2	
C 7819	CHIP CAP.	0.01uF	50V	B	GRM188B11H103KA01D	K22174823		1-	A	B1	
C 7820	CHIP CAP.	0.01uF	50V	B	GRM188B11H103KA01D	K22174823		1-	A	A1	
C 7821	CHIP CAP.	0.01uF	50V	B	GRM188B11H103KA01D	K22174823		1-	A	D2	
C 7822	CHIP CAP.	0.01uF	50V	B	GRM188B11H103KA01D	K22174823		1-	A	D1	
C 7823	CHIP CAP.	0.001uF	50V	B	GRM188B11H102KA01D	K22174821		1-	A	E1	
C 7824	CHIP CAP.	0.1uF	25V	F	GRM39F104Z25PT	K22145001		1-	A	E1	
C 7825	CHIP CAP.	0.001uF	500V	W5R	CF316W5R102K500AT	K22271802		1-	A	E1	
C 7826	CHIP CAP.	0.01uF	250V	X7R	GRM21BR72E103KW03L	K22240801		1-	A	F1	
C 7827	CHIP CAP.	0.01uF	50V	B	GRM188B11H103KA01D	K22174823		1-	A	D1	
C 7828	CHIP CAP.	0.01uF	50V	B	GRM188B11H103KA01D	K22174823		1-	A	D2	
C 7829	CHIP CAP.	0.1uF	25V	B	GRM40B104M25PT	K22140811		1-	A	E1	
C 7830	CHIP CAP.	0.1uF	250V	X7R	GRM32DR72E104KW01L	K22245801		1-	A	E1	
C 7831	CHIP CAP.	0.001uF	50V	B	GRM188B11H102KA01D	K22174821		1-	A	D1	
C 7832	CHIP CAP.	0.1uF	25V	B	GRM40B104M25PT	K22140811		1-	A	F2	
C 7833	CHIP CAP.	0.01uF	50V	B	GRM188B11H103KA01D	K22174823		1-	A	E1	
C 7834	CHIP CAP.	0.001uF	500V	W5R	CF316W5R102K500AT	K22271802		1-	A	E2	
C 7835	CHIP CAP.	0.01uF	250V	X7R	GRM21BR72E103KW03L	K22240801		1-	A	F2	
C 7836	CHIP CAP.	0.1uF	250V	X7R	GRM32DR72E104KW01L	K22245801		1-	A	E2	
C 7837	CHIP CAP.	0.01uF	50V	B	GRM188B11H103KA01D	K22174823		1-	A	D1	
C 7838	CHIP CAP.	0.001uF	50V	B	GRM188B11H102KA01D	K22174821		1-	A	G2	
C 7839	CHIP CAP.	0.1uF	25V	F	GRM39F104Z25PT	K22145001		1-	A	G2	
C 7840	CHIP CAP.	0.01uF	50V	B	GRM188B11H103KA01D	K22174823		1-	A	B2	
C 7841	CHIP CAP.	0.01uF	50V	B	GRM188B11H103KA01D	K22174823		1-	A	B1	
C 7842	CHIP CAP.	0.01uF	50V	B	GRM188B11H103KA01D	K22174823		1-	A	D2	
C 7843	CHIP CAP.	0.01uF	50V	B	GRM188B11H103KA01D	K22174823		1-	A	C2	
C 7844	CHIP CAP.	0.01uF	50V	B	GRM188B11H103KA01D	K22174823		1-	A	D2	
C 7845	CHIP CAP.	0.01uF	50V	B	GRM188B11H103KA01D	K22174823		1-	A	D2	
C 7846	CHIP CAP.	0.01uF	50V	B	GRM188B11H103KA01D	K22174823		1-	A	C2	
C 7847	CHIP CAP.	0.01uF	50V	B	GRM188B11H103KA01D	K22174823		1-	A	D1	
C 7848	CHIP CAP.	0.01uF	50V	B	GRM188B11H103KA01D	K22174823		1-	A	D1	
C 7849	CHIP CAP.	0.01uF	50V	B	GRM188B11H103KA01D	K22174823		1-	A	A2	
C 7850	CHIP CAP.	33pF	50V	CH	GRM1882C1H330JA01D	K22174223		1-	A	A2	
C 7851	CHIP CAP.	0.01uF	50V	B	GRM188B11H103KA01D	K22174823		1-	A	D2	
C 7852	CHIP CAP.	33pF	50V	CH	GRM1882C1H330JA01D	K22174223		1-	A	A2	
C 7853	CHIP CAP.	0.047uF	16V	B	GRM39B473K16PT	K22124804		1-	A	D2	
C 7858	CHIP CAP.	0.01uF	50V	B	GRM188B11H103KA01D	K22174823		1-	A	B2	
C 7859	CHIP CAP.	0.01uF	50V	B	GRM188B11H103KA01D	K22174823		1-	A	B1	
C 7860	CHIP CAP.	0.01uF	50V	B	GRM188B11H103KA01D	K22174823		1-	A	B1	
C 7861	CHIP CAP.	0.01uF	50V	B	GRM188B11H103KA01D	K22174823		1-	A	B2	
C 7862	CHIP CAP.	0.022uF	25V	B	GRM39B223K25PT	K22144807		1-	A	B2	
C 7863	CHIP CAP.	0.022uF	25V	B	GRM39B223K25PT	K22144807		1-	A	B2	
C 7864	CHIP CAP.	0.022uF	25V	B	GRM39B223K25PT	K22144807		1-	A	B1	
C 7865	CHIP CAP.	0.022uF	25V	B	GRM39B223K25PT	K22144807		1-	A	B1	
C 7866	CHIP CAP.	5pF	500V	CH	CF316CH050C500AT	K22271250		1-	A	B2	
C 7867	CHIP CAP.	5pF	500V	CH	CF316CH050C500AT	K22271250		1-	A	B1	
C 7868	CHIP CAP.	36pF	50V	CH	GRM1882C1H360JZ01D	K22174224		1-	A	B2	
C 7869	CHIP CAP.	36pF	50V	CH	GRM1882C1H360JZ01D	K22174224		1-	A	B1	
C 7870	CHIP CAP.	0.01uF	50V	B	GRM188B11H103KA01D	K22174823		1-	A	A2	
C 7871	CHIP CAP.	0.01uF	50V	B	GRM188B11H103KA01D	K22174823		1-	A	D2	
C 7872	CERAMIC CAP.	0.001uF	50V	B	UP050B102K-A-B	K28179001		4			
C 7873	CERAMIC CAP.	0.001uF	50V	B	UP050B102K-A-B	K28179001		4			
C 7874	CERAMIC CAP.	0.001uF	50V	B	UP050B102K-A-B	K28179001		4			
C 7878	CHIP CAP.	0.1uF	16V	B	GRM188B11C104KA01D	K22124805		5-			
D 7801	DIODE				BAS316	G2070716		1-	A	F1	
D 7802	DIODE				BAS316	G2070716		1-	A	D1	

# ANT-A Unit (MP Type)

## Parts List

REF	DESCRIPTION	VALUE	V/W	TOL.	MFR'S DESIG	VXSTD P/N	VERS.	LOT	SIDE	LAY ADR
D 7803	DIODE				BAS316	G2070716		1-	A	B1
D 7804	DIODE				BAS316	G2070716		1-	A	A1
D 7805	DIODE				BAS316	G2070716		1-	A	F1
D 7806	SURGE ABSORBER				DSP201M-S00B	Q9000375		1-	A	B2
D 7807	DIODE				BAS316	G2070716		1-	A	D1
D 7808	DIODE				BAS316	G2070716		1-	A	B1
D 7809	DIODE				BAS316	G2070716		1-	A	A1
D 7810	DIODE				BAS316	G2070716		1-	A	B2
D 7811	DIODE				BAS316	G2070716		1-	A	B1
D 7813	DIODE				S4VB20	G2090627		1-	A	E1
D 7816	DIODE				1SS311 TE85R	G2070460		1-	A	B2
D 7817	DIODE				1SS311 TE85R	G2070460		1-	A	B2
D 7818	DIODE				1SS311 TE85R	G2070460		1-	A	B1
D 7819	DIODE				1SS311 TE85R	G2070460		1-	A	B1
D 7820	DIODE				BAS316	G2070716		1-	A	B2
D 7821	DIODE				BAS316	G2070716		1-	A	B1
D 7822	DIODE				BAS316	G2070716		1-	A	C2
D 7823	SURGE ABSORBER				DSP201M-S00B	Q9000375		1-	A	A2
D 7824	DIODE				BAS316	G2070716		1-	A	A2
D 7829	DIODE				BAS316	G2070716		1-	A	A2
D 7830	DIODE				BAS316	G2070716		1-	A	E1
J 7801	CONNECTOR				TMP-J01X-V6	P1090210		1-	A	A1
J 7802	CONNECTOR				TMP-J01X-V6	P1090210		1-	A	A2
J 7803	CONNECTOR				S7B-PH-SM3-TB	P0091345		1-	A	E2
J 7804	CONNECTOR				S-Q3063#01	P1090295		1-	A	E2
J 7805	CONNECTOR				TMP-J01X-V6	P1090210		1-	A	B1
J 7806	CONNECTOR				TMP-J01X-V6	P1090210		1-	A	B1
J 7807	CONNECTOR				TMP-J01X-V6	P1090210		1-	A	C1
L 7802	TOROIDAL COIL	0.24uH			0.240U T25-6	L0020898		1-	A	A2
L 7803	TOROIDAL COIL	252uH			252.0U D12A TR16	L0022881A		1-	A	E1
L 7806	TOROIDAL COIL	252uH			252.0U D12A TR16	L0022881A		1-	A	F2
Q 7801	TRANSISTOR				DTB113ZK T146	G3070103		1-	A	D2
Q 7802	TRANSISTOR				DTB113ZK T146	G3070103		1-	A	D2
Q 7803	TRANSISTOR				DTB113ZK T146	G3070103		1-	A	D2
Q 7804	TRANSISTOR				DTB113ZK T146	G3070103		1-	A	D2
Q 7805	TRANSISTOR				DTB113ZK T146	G3070103		1-	A	D2
Q 7806	TRANSISTOR				DTB113ZK T146	G3070103		1-	A	C1
Q 7807	TRANSISTOR				DTB113ZK T146	G3070103		1-	A	C1
Q 7808	TRANSISTOR				DTB113ZK T146	G3070103		1-	A	C2
Q 7809	TRANSISTOR				2SC3444-T11-1E	G3334448E		1-	A	E1
Q 7810	TRANSISTOR				2SA1213Y TE12R	G3112137Y		1-	A	D1
Q 7811	TRANSISTOR				DTC123JE TL	G3070323		1-	A	C2
Q 7812	TRANSISTOR				DTC123JE TL	G3070323		1-	A	D1
Q 7814	TRANSISTOR				2SC4154-T11-1E	G3341548E		1-	A	B2
Q 7815	TRANSISTOR				2SC4154-T11-1E	G3341548E		1-	A	B2
Q 7816	TRANSISTOR				2SC4154-T11-1E	G3341548E		1-	A	B1
Q 7817	TRANSISTOR				2SC4154-T11-1E	G3341548E		1-	A	B1
Q 7818	TRANSISTOR				DTB113ZK T146	G3070103		1-	A	C2
Q 7819	TRANSISTOR				DTB113ZK T146	G3070103		1-	A	C2
Q 7820	TRANSISTOR				DTB113ZK T146	G3070103		1-	A	C2
Q 7821	IC				BU2099FV-E2	G1093243		1-	A	D2
Q 7822	TRANSISTOR				DTB113ZK T146	G3070103		1-	A	C2
R 7801	CHIP RES.	0	1/16W	5%	RMC1/16 000JATP	J24185000		1-	A	D2
R 7802	CHIP RES.	0	1/16W	5%	RMC1/16 000JATP	J24185000		1-	A	D2
R 7803	CHIP RES.	100	1/16W	5%	RMC1/16 101JATP	J24185101		1-	A	A2
R 7804	CHIP RES.	0	1/16W	5%	RMC1/16 000JATP	J24185000		1-	A	D2
R 7805	CHIP RES.	100k	1/16W	5%	RMC1/16 104JATP	J24185104		1-	A	D2
R 7806	CHIP RES.	100k	1/16W	5%	RMC1/16 104JATP	J24185104		1-	A	D2
R 7807	CHIP RES.	2.2k	1/16W	5%	RMC1/16 222JATP	J24185222		1-	A	D1
R 7808	CHIP RES.	47k	1/16W	5%	RMC1/16 473JATP	J24185473		1-	A	E1
R 7809	CHIP RES.	2.2k	1/16W	5%	RMC1/16 222JATP	J24185222		1-	A	D1
R 7810	CHIP RES.	47k	1/16W	5%	RMC1/16 473JATP	J24185473		1-	A	D1
R 7811	METAL FILM RES.	62	5W		ERG-5SJ620 62	J22379008		1-	A	F2
R 7812	CHIP RES.	100k	1/16W	5%	RMC1/16 104JATP	J24185104		1-	A	D2
R 7817	CHIP RES.	4.7k	1/10W	5%	RMC1/10T 472J	J24205472		1-	A	D1
R 7818	CHIP RES.	100k	1/16W	5%	RMC1/16 104JATP	J24185104		1-	A	B1
R 7819	CHIP RES.	100k	1/16W	5%	RMC1/16 104JATP	J24185104		1-	A	B2
R 7820	CHIP RES.	10k	1/16W	5%	RMC1/16 103JATP	J24185103		1-	A	B2
R 7821	CHIP RES.	10k	1/16W	5%	RMC1/16 103JATP	J24185103		1-	A	B1
R 7822	CHIP RES.	15	1/16W	5%	RMC1/16 150JATP	J24185150		1-	A	B1
R 7823	CHIP RES.	15	1/16W	5%	RMC1/16 150JATP	J24185150		1-	A	B2
R 7824	CHIP RES.	0	1/16W	5%	RMC1/16 000JATP	J24185000		1-	A	B2
R 7825	CHIP RES.	0	1/16W	5%	RMC1/16 000JATP	J24185000		1-	A	B1

# ANT-A Unit (MP Type)

## Parts List

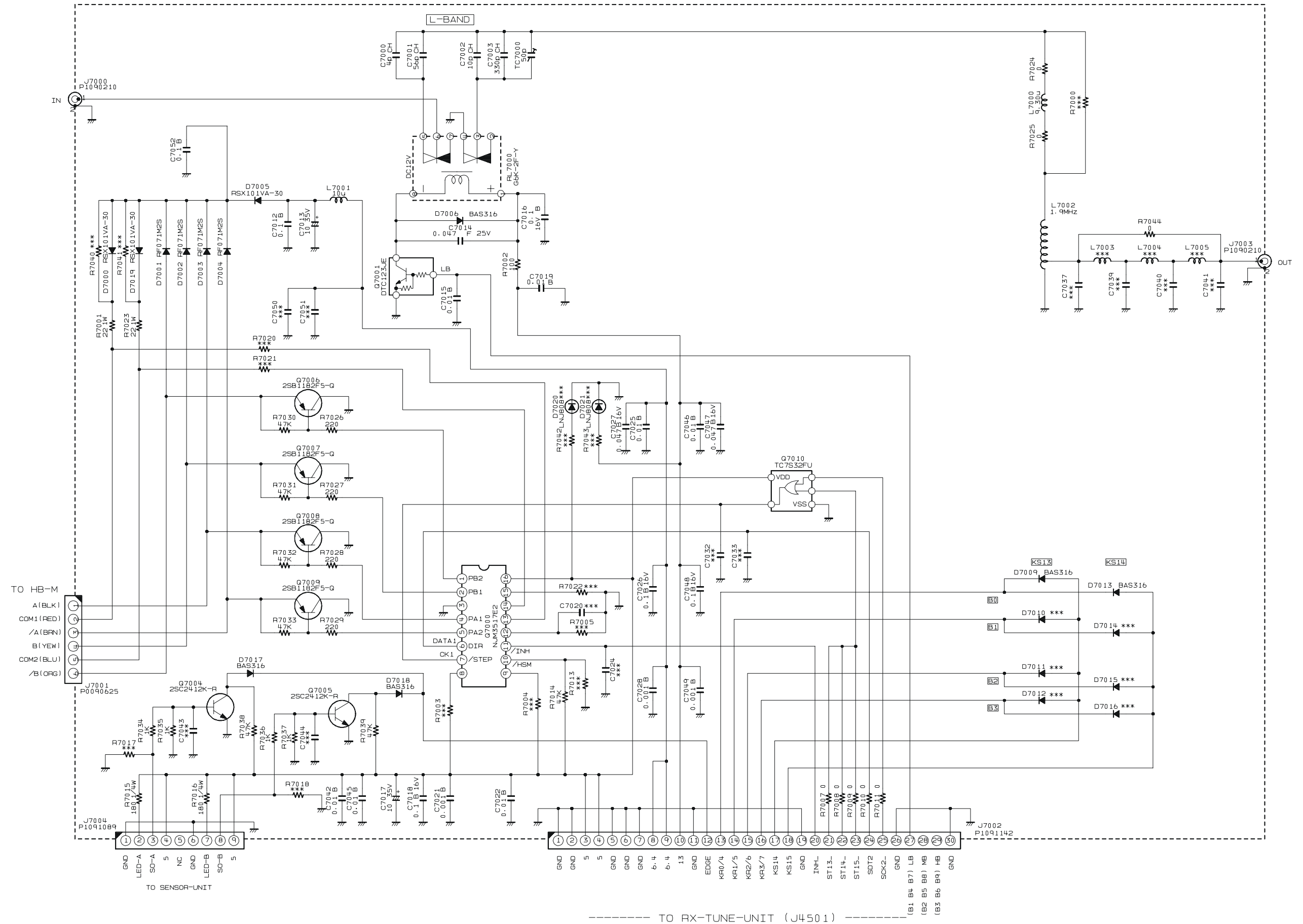
REF	DESCRIPTION	VALUE	V/W	TOL.	MFR'S DESIG	VXSTD P/N	VERS.	LOT	SIDE	LAY ADR
R 7826	CHIP RES.	220k	1/10W	5%	RMC1/10T 224J	J24205224		1-	A	F2
R 7827	CHIP RES.	33	1/16W	5%	RMC1/16 330JATP	J24185330		1-	A	D1
R 7828	METAL FILM RES.	62	5W		ERG-5SJ620 62	J22379008		1-	A	G2
R 7829	CHIP RES.	0	1/10W	5%	RMC1/10T 000J	J24205000		1-	A	D1
R 7830	CHIP RES.	0	1/16W	5%	RMC1/16 000JATP	J24185000		4-		
RL7801	RELAY		DC12V		FTR-H1CA012V DC12V	M1190148		1-	A	F1
RL7802	RELAY		DC12V		FTR-H1CA012V DC12V	M1190148		1-	A	D1
RL7803	RELAY		DC12V		FTR-H1CA012V DC12V	M1190148		1-	A	C1
RL7804	RELAY		DC12V		FTR-H1CA012V DC12V	M1190148		1-	A	A1
RL7805	RELAY		DC12V		AGQ200A12Z DC12V	M1190188		1-	A	F1
RL7806	RELAY		DC12V		AGQ200A12Z DC12V	M1190188		1-	A	D1
RL7807	RELAY		DC12V		AGQ200A12Z DC12V	M1190188		1-	A	C1
RL7808	RELAY		DC12V		AE5343 DC12V	M1190005		1-	A	C2
RL7809	RELAY		DC12V		AGQ200A12Z DC12V	M1190188		1-	A	B2
RL7810	RELAY		DC12V		AGQ200A12Z DC12V	M1190188		1-	A	A1
RL7811	RELAY		DC12V		AGQ200A12Z DC12V	M1190188		1-	A	A1
RL7812	RELAY		DC12V		AGQ200A12Z DC12V	M1190188		1-	A	C2
RL7813	RELAY		DC12V		AGQ200A12Z DC12V	M1190188		1-	A	B1
RL7814	RELAY		DC12V		AGQ200A12Z DC12V	M1190188		1-	A	A2
RL7815	RELAY		DC12V		AGQ200A12Z DC12V	M1190188		1-	A	A2
RL7816	RELAY		DC12V		AE5343 DC12V	M1190005		1-	A	D2
T 7801	COIL 10WIDE				3A 9X5X5	L0021959		1-	A	B2
T 7802	COIL 10WIDE				9-1 2001F	L0021605		1-	A	A2

# *ANT-A Unit (MP Type)*

*Note*

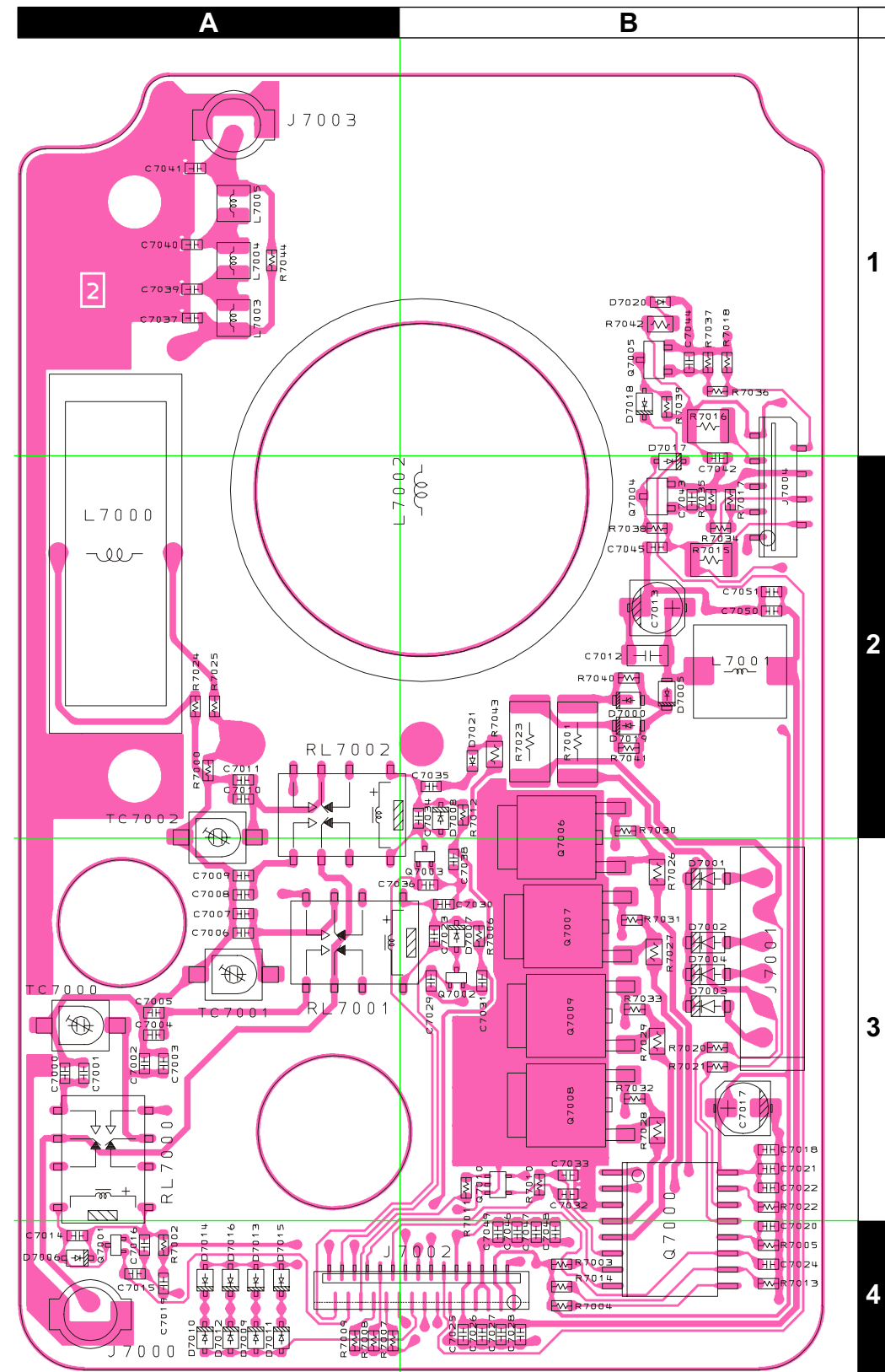
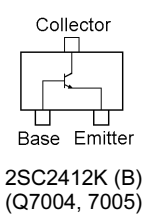
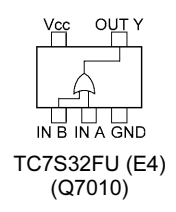
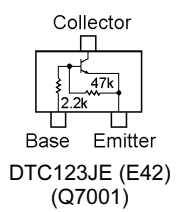
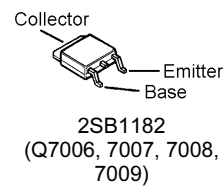
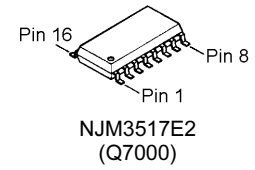
# TUNE-1 Unit (D Type, MTU-160)

## Circuit Diagram

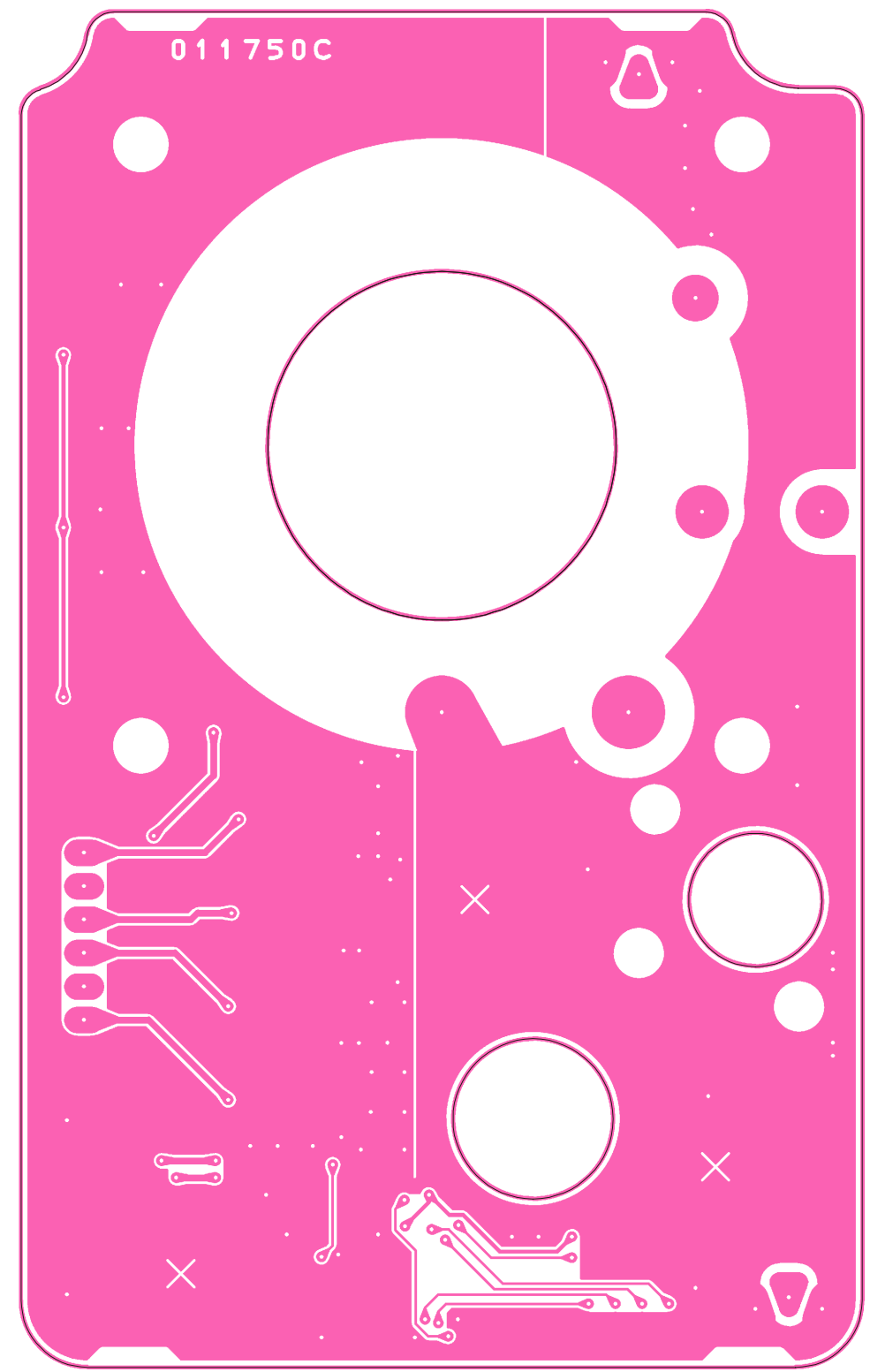


# TUNE-1 Unit (D Type, MTU-160)

## Parts Layout



Side A



Side B



# TUNE-1 Unit (D Type, MTU-160)

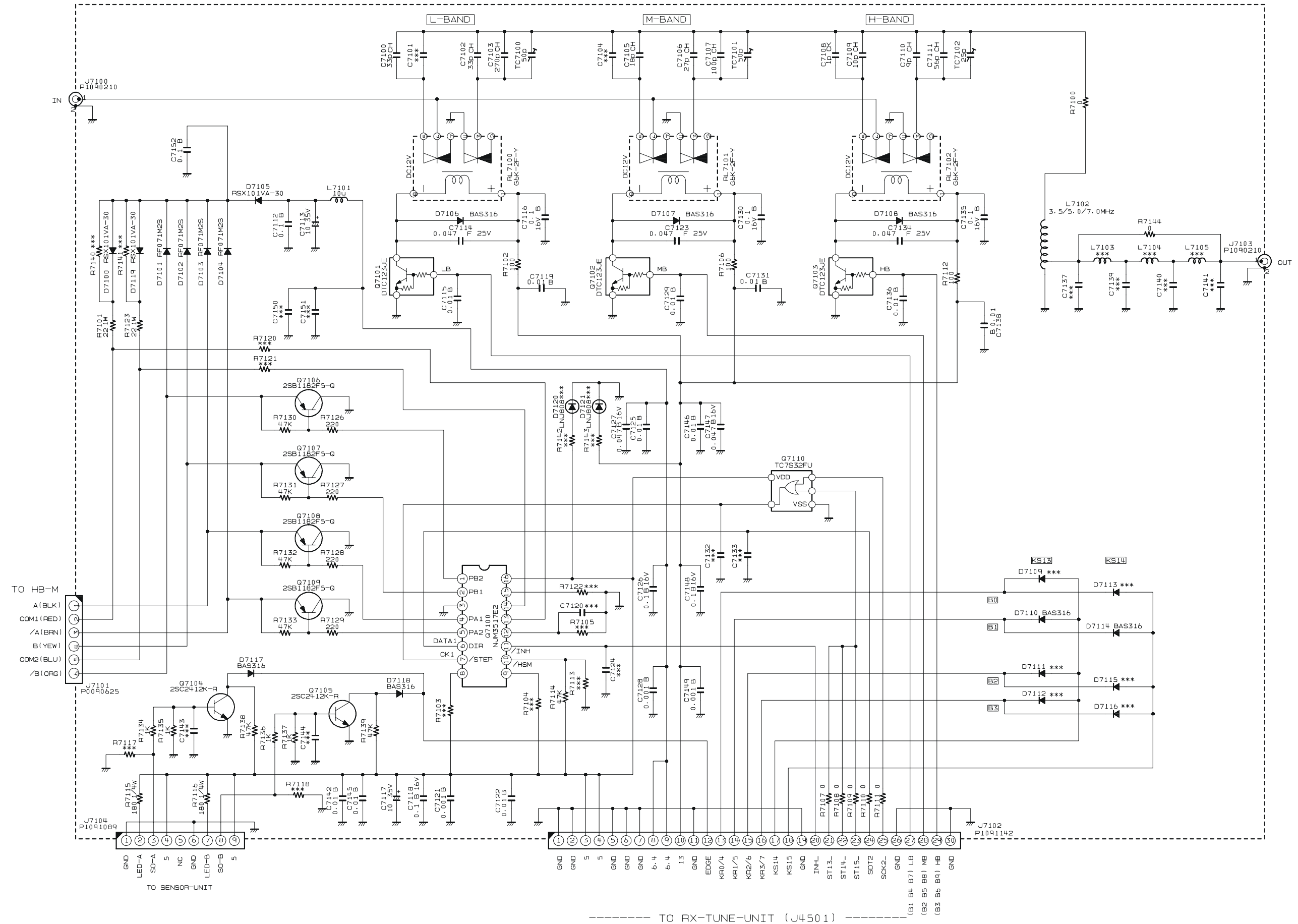
## Parts List

REF	DESCRIPTION	VALUE	V/W	TOL.	MFR'S DESIG	VXSTD P/N	VERS.	LOT	SIDE	LAY ADR
PCB with Components						CB2770001				
Printed Circuit Board						FR0117500		1-		
C 7000	CHIP CAP.	4pF	50V	CH	GRM1882C1H4R0CZ01D	K22174205		1-	A	A3
C 7001	CHIP CAP.	56pF	50V	CH	GRM1882C1H560JA01D	K22174229		1-	A	A3
C 7002	CHIP CAP.	39pF	50V	CH	GRM1882C1H390JA01D	K22174225		2-	A	A3
C 7003	CHIP CAP.	330pF	50V	CH	GRM1882C1H331JA01D	K22174253		1-	A	A3
C 7012	CHIP CAP.	0.1uF	50V	B	GRM42-6B104K50PT	K22171820		1-	A	B2
C 7013	AL.ELECTRO.CAP.	10uF	35V		ECEV1VA100WR	K48160004		1-	A	B2
C 7014	CHIP CAP.	0.047uF	25V	F	GRM39F473Z25PT	K22145002		1-	A	A4
C 7015	CHIP CAP.	0.01uF	50V	B	GRM188B11H103JA01D	K22174824		1-	A	A4
C 7016	CHIP CAP.	0.1uF	16V	B	GRM188B11C104KA01D	K22124805		1-	A	A4
C 7017	AL.ELECTRO.CAP.	10uF	35V		ECEV1VA100WR	K48160004		1-	A	B3
C 7018	CHIP CAP.	0.1uF	16V	B	GRM188B11C104KA01D	K22124805		1-	A	B3
C 7019	CHIP CAP.	0.01uF	50V	B	GRM188B11H103JA01D	K22174824		1-	A	A4
C 7021	CHIP CAP.	0.001uF	50V	B	GRM188B11H102KA01D	K22174821		1-	A	B3
C 7022	CHIP CAP.	0.01uF	50V	B	GRM188B11H103KA01D	K22174823		1-	A	B3
C 7025	CHIP CAP.	0.01uF	50V	B	GRM188B11H103JA01D	K22174824		1-	A	B4
C 7026	CHIP CAP.	0.1uF	16V	B	GRM188B11C104KA01D	K22124805		1-	A	B4
C 7027	CHIP CAP.	0.047uF	16V	B	GRM39B473K16PT	K22124804		1-	A	B4
C 7028	CHIP CAP.	0.001uF	50V	B	GRM188B11H102KA01D	K22174821		1-	A	B4
C 7042	CHIP CAP.	0.01uF	50V	B	GRM188B11H103KA01D	K22174823		1-	A	B2
C 7045	CHIP CAP.	0.01uF	50V	B	GRM188B11H103KA01D	K22174823		1-	A	B2
C 7046	CHIP CAP.	0.01uF	50V	B	GRM188B11H103JA01D	K22174824		1-	A	B4
C 7047	CHIP CAP.	0.047uF	16V	B	GRM39B473K16PT	K22124804		1-	A	B4
C 7048	CHIP CAP.	0.1uF	16V	B	GRM188B11C104KA01D	K22124805		1-	A	B4
C 7049	CHIP CAP.	0.001uF	50V	B	GRM188B11H102KA01D	K22174821		1-	A	B4
C 7052	CERAMIC CAP.	0.1uF	50V	B	UP050B104K-A-B	K28179098		2-	A	B4
D 7000	DIODE				RSX101VA-30TR	G2070984		1-	A	B2
D 7001	DIODE				RF071M2S-TR	G2071068		1-	A	B3
D 7002	DIODE				RF071M2S-TR	G2071068		1-	A	B3
D 7003	DIODE				RF071M2S-TR	G2071068		1-	A	B3
D 7004	DIODE				RF071M2S-TR	G2071068		1-	A	B3
D 7005	DIODE				RSX101VA-30TR	G2070984		1-	A	B2
D 7006	DIODE				BAS316	G2070716		1-	A	A4
D 7009	DIODE				BAS316	G2070716		1-	A	A4
D 7013	DIODE				BAS316	G2070716		1-	A	A4
D 7017	DIODE				BAS316	G2070716		1-	A	B2
D 7018	DIODE				BAS316	G2070716		1-	A	B1
D 7019	DIODE				RSX101VA-30TR	G2070984		1-	A	B2
J 7000	CONNECTOR				TMP-J01X-V6	P1090210		1-	A	A4
J 7001	CONNECTOR				SC25-06WS	P0090625		1-	A	B3
J 7002	CONNECTOR				30FLT-SM1-TB	P1091142		1-	A	B4
J 7003	CONNECTOR				TMP-J01X-V6	P1090210		1-	A	A1
J 7004	CONNECTOR				09FMN-BMTTN-TFT	P1091089		1-	A	B2
L 7000	TOROIDAL COIL	9.3uH			9.30U T94-2	L0022880		1-	A	A2
L 7001	M.RFC	10uH			CDRH73-100MC	L1690598		1-	A	B2
L 7002	COIL RF				SC-130 1.9MHz	L0022901		1-	A	B2
L 7002	COIL RF				SC-130 1.9MHz	L0022901A		3-	A	B2
MO7000	STEPPING MOTOR				KH39GM2-026	M2190029		1-		
Q 7000	IC				NJM3517E2-TE2	G1093849		1-	A	B4
Q 7001	TRANSISTOR				DTC123JE TL	G3070323		1-	A	A4
Q 7004	TRANSISTOR				2SC2412K-T146-R	G3324128R		1-	A	B2
Q 7005	TRANSISTOR				2SC2412K-T146-R	G3324128R		1-	A	B1
Q 7006	TRANSISTOR				2SB1182-TLQ	G3070063		1-	A	B2
Q 7007	TRANSISTOR				2SB1182-TLQ	G3070063		1-	A	B3
Q 7008	TRANSISTOR				2SB1182-TLQ	G3070063		1-	A	B3
Q 7009	TRANSISTOR				2SB1182-TLQ	G3070063		1-	A	B3
Q 7010	IC				TC7S32FU TE85R	G1091529		1-	A	B3
R 7001	CHIP RES.	22	1W	5%	RMC1 220JTE	J24305220		1-	A	B2
R 7002	CHIP RES.	100	1/16W	5%	RMC1/16 101JATP	J24185101		1-	A	A4
R 7007	CHIP RES.	0	1/16W	5%	RMC1/16 000JATP	J24185000		1-	A	A4
R 7008	CHIP RES.	0	1/16W	5%	RMC1/16 000JATP	J24185000		1-	A	A4
R 7009	CHIP RES.	0	1/16W	5%	RMC1/16 000JATP	J24185000		1-	A	A4
R 7010	CHIP RES.	0	1/16W	5%	RMC1/16 000JATP	J24185000		1-	A	B3
R 7011	CHIP RES.	0	1/16W	5%	RMC1/16 000JATP	J24185000		1-	A	B3
R 7014	CHIP RES.	47k	1/16W	5%	RMC1/16 473JATP	J24185473		1-	A	B4
R 7015	CHIP RES.	180	1/4W	5%	RMC1/4 181JATP	J24245181		1-	A	B2
R 7016	CHIP RES.	180	1/4W	5%	RMC1/4 181JATP	J24245181		1-	A	B1
R 7023	CHIP RES.	22	1W	5%	RMC1 220JTE	J24305220		1-	A	B2
R 7024	CHIP RES.	0	1/16W	5%	RMC1/16 000JATP	J24185000		1-	A	A2
R 7025	CHIP RES.	0	1/16W	5%	RMC1/16 000JATP	J24185000		1-	A	A2
R 7026	CHIP RES.	220	1/10W	5%	RMC1/10T 221J	J24205221		1-	A	B3
R 7027	CHIP RES.	220	1/10W	5%	RMC1/10T 221J	J24205221		1-	A	B3

# TUNE-1 Unit (D Type, MTU-160)

## Parts List

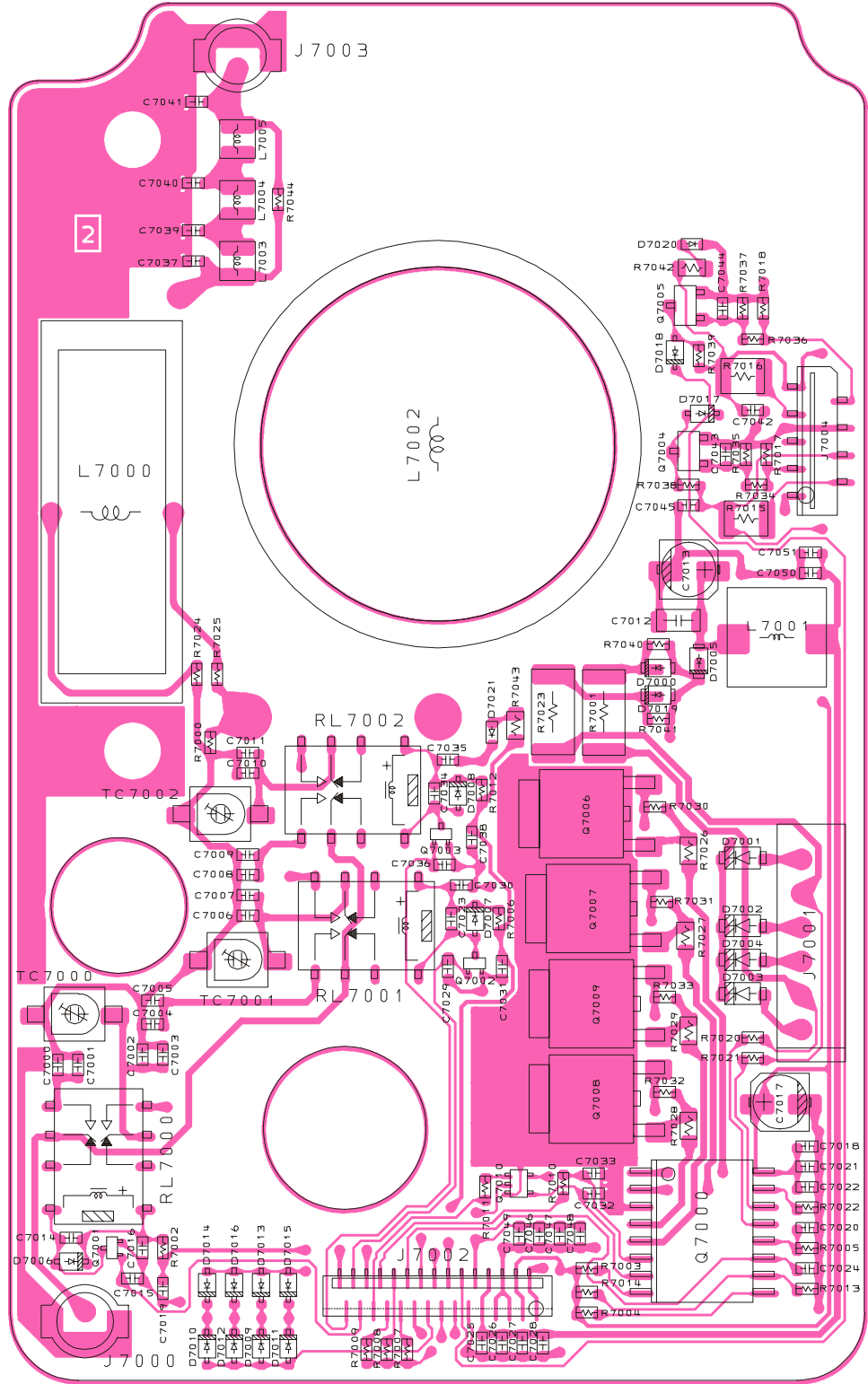
REF	DESCRIPTION	VALUE	V/W	TOL.	MFR'S DESIG	VXSTD P/N	VERS.	LOT	SIDE	LAY ADR
R 7028	CHIP RES.	220	1/10W	5%	RMC1/10T 221J	J24205221		1-	A	B3
R 7029	CHIP RES.	220	1/10W	5%	RMC1/10T 221J	J24205221		1-	A	B3
R 7030	CHIP RES.	47k	1/16W	5%	RMC1/16 473JATP	J24185473		1-	A	B2
R 7031	CHIP RES.	47k	1/16W	5%	RMC1/16 473JATP	J24185473		1-	A	B3
R 7032	CHIP RES.	47k	1/16W	5%	RMC1/16 473JATP	J24185473		1-	A	B3
R 7033	CHIP RES.	47k	1/16W	5%	RMC1/16 473JATP	J24185473		1-	A	B3
R 7034	CHIP RES.	1k	1/16W	5%	RMC1/16 102JATP	J24185102		1-	A	B2
R 7035	CHIP RES.	1k	1/16W	5%	RMC1/16 102JATP	J24185102		1-	A	B2
R 7036	CHIP RES.	1k	1/16W	5%	RMC1/16 102JATP	J24185102		1-	A	B1
R 7037	CHIP RES.	1k	1/16W	5%	RMC1/16 102JATP	J24185102		1-	A	B1
R 7038	CHIP RES.	47k	1/16W	5%	RMC1/16 473JATP	J24185473		1-	A	B2
R 7039	CHIP RES.	47k	1/16W	5%	RMC1/16 473JATP	J24185473		1-	A	B1
R 7044	CHIP RES.	0	1/16W	5%	RMC1/16 000JATP	J24185000		1-	A	A1
RL7000	RELAY		DC12V		G6K-2F-Y-TR DC12V	M1190183		1-	A	A3
TC7000	TRIMMER CAP.	50pF			TZB4R500EA10R00	K91000277		1-	A	A3
Y 7000	CORE				7A3 TRB-20-10-10 X5	L9190139		1-		



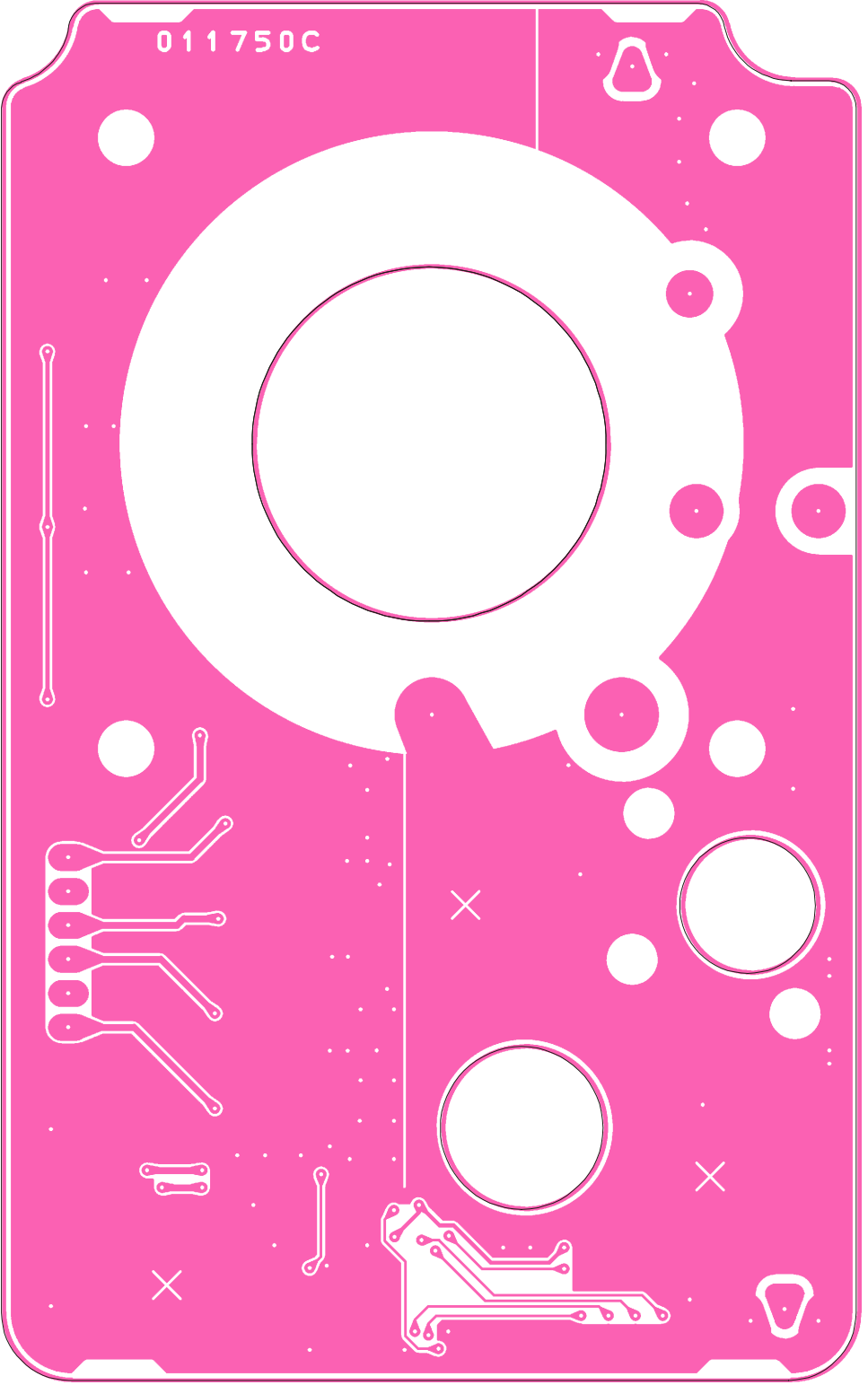
----- TO RX-TUNE-UNIT (J4501) -----

# TUNE-2 Unit (D Type, MTU-80/40)

## Parts Layout



Side A



Side B

# TUNE-2 Unit (D Type, MTU-80/40)

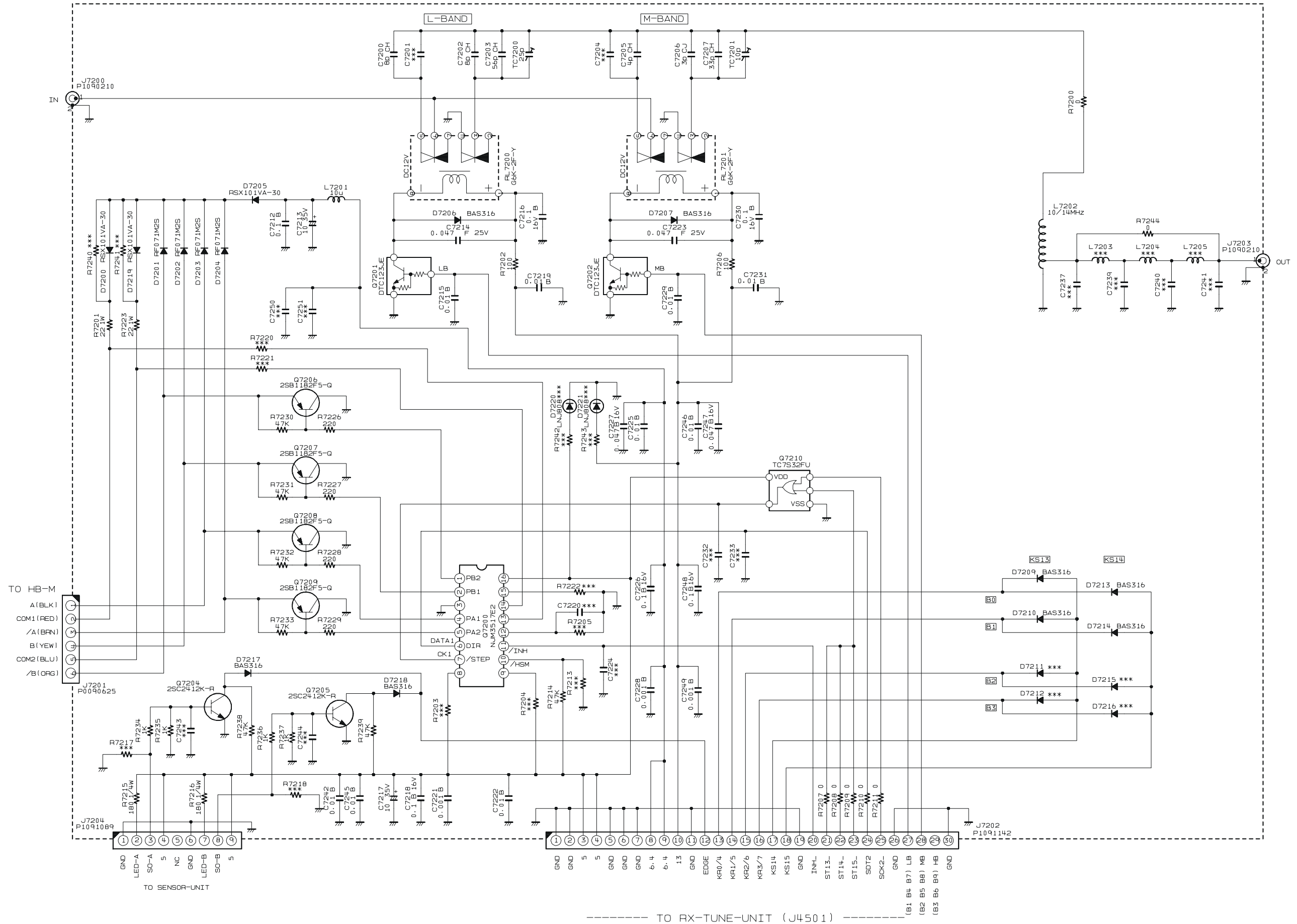
## Parts List

REF	DESCRIPTION	VALUE	V/W	TOL.	MFR'S DESIG	VXSTD P/N	VERS.	LOT	SIDE	LAY ADR	
PCB with Components						CB2771001					
Printed Circuit Board						FR0117500			1-		
C 7100	CHIP CAP.	33pF	50V	CH	GRM1882C1H330JA01D	K22174223		1-			
C 7102	CHIP CAP.	18pF	50V	CH		K22174217		1-			
C 7103	CHIP CAP.	270pF	50V	CH	GRM1882C1H271JA01D	K22174251		1-			
C 7105	CHIP CAP.	18pF	50V	CH		K22174217		1-			
C 7106	CHIP CAP.	27pF	50V	CH	GRM1882C1H270JA01D	K22174221		1-			
C 7107	CHIP CAP.	100pF	50V	CH	GRM1882C1H101JA01D	K22174235		1-			
C 7108	CHIP CAP.	1pF	50V	CK	GRM1884C1H1R0CZ01D	K22174202		1-			
C 7109	CHIP CAP.	10pF	50V	CH	GRM1882C1H100JA01D	K22174211		1-			
C 7110	CHIP CAP.	9pF	50V	CH	GRM1882C1H9R0DZ01D	K22174210		1-			
C 7111	CHIP CAP.	56pF	50V	CH	GRM1882C1H560JA01D	K22174229		1-			
C 7112	CHIP CAP.	0.1uF	50V	B	GRM42-6B104K50PT	K22171820		1-			
C 7113	AL.ELECTRO.CAP.	10uF	35V		ECEV1VA100WR	K48160004		1-			
C 7114	CHIP CAP.	0.047uF	25V	F	GRM39F473Z25PT	K22145002		1-			
C 7115	CHIP CAP.	0.01uF	50V	B	GRM188B11H103JA01D	K22174824		1-			
C 7116	CHIP CAP.	0.1uF	16V	B	GRM188B11C104KA01D	K22124805		1-			
C 7117	AL.ELECTRO.CAP.	10uF	35V		ECEV1VA100WR	K48160004		1-			
C 7118	CHIP CAP.	0.1uF	16V	B	GRM188B11C104KA01D	K22124805		1-			
C 7119	CHIP CAP.	0.01uF	50V	B	GRM188B11H103JA01D	K22174824		1-			
C 7121	CHIP CAP.	0.001uF	50V	B	GRM188B11H102KA01D	K22174821		1-			
C 7122	CHIP CAP.	0.01uF	50V	B	GRM188B11H103KA01D	K22174823		1-			
C 7123	CHIP CAP.	0.047uF	25V	F	GRM39F473Z25PT	K22145002		1-			
C 7125	CHIP CAP.	0.01uF	50V	B	GRM188B11H103JA01D	K22174824		1-			
C 7126	CHIP CAP.	0.1uF	16V	B	GRM188B11C104KA01D	K22124805		1-			
C 7127	CHIP CAP.	0.047uF	16V	B	GRM39B473K16PT	K22124804		1-			
C 7128	CHIP CAP.	0.001uF	50V	B	GRM188B11H102KA01D	K22174821		1-			
C 7129	CHIP CAP.	0.01uF	50V	B	GRM188B11H103JA01D	K22174824		1-			
C 7130	CHIP CAP.	0.1uF	16V	B	GRM188B11C104KA01D	K22124805		1-			
C 7131	CHIP CAP.	0.01uF	50V	B	GRM188B11H103JA01D	K22174824		1-			
C 7134	CHIP CAP.	0.047uF	25V	F	GRM39F473Z25PT	K22145002		1-			
C 7135	CHIP CAP.	0.1uF	16V	B	GRM188B11C104KA01D	K22124805		1-			
C 7136	CHIP CAP.	0.01uF	50V	B	GRM188B11H103JA01D	K22174824		1-			
C 7138	CHIP CAP.	0.01uF	50V	B	GRM188B11H103JA01D	K22174824		1-			
C 7142	CHIP CAP.	0.01uF	50V	B	GRM188B11H103KA01D	K22174823		1-			
C 7145	CHIP CAP.	0.01uF	50V	B	GRM188B11H103KA01D	K22174823		1-			
C 7146	CHIP CAP.	0.01uF	50V	B	GRM188B11H103JA01D	K22174824		1-			
C 7147	CHIP CAP.	0.047uF	16V	B	GRM39B473K16PT	K22124804		1-			
C 7148	CHIP CAP.	0.1uF	16V	B	GRM188B11C104KA01D	K22124805		1-			
C 7149	CHIP CAP.	0.001uF	50V	B	GRM188B11H102KA01D	K22174821		1-			
C 7152	CERAMIC CAP.	0.1uF	50V	B	UP050B104K-A-B	K28179098		2-			
D 7100	DIODE				RSX101VA-30TR	G2070984		1-			
D 7101	DIODE				RF071M2S-TR	G2071068		1-			
D 7102	DIODE				RF071M2S-TR	G2071068		1-			
D 7103	DIODE				RF071M2S-TR	G2071068		1-			
D 7104	DIODE				RF071M2S-TR	G2071068		1-			
D 7105	DIODE				RSX101VA-30TR	G2070984		1-			
D 7106	DIODE				BAS316	G2070716		1-			
D 7107	DIODE				BAS316	G2070716		1-			
D 7108	DIODE				BAS316	G2070716		1-			
D 7110	DIODE				BAS316	G2070716		1-			
D 7114	DIODE				BAS316	G2070716		1-			
D 7117	DIODE				BAS316	G2070716		1-			
D 7118	DIODE				BAS316	G2070716		1-			
D 7119	DIODE				RSX101VA-30TR	G2070984		1-			
J 7100	CONNECTOR				TMP-J01X-V6	P1090210		1-			
J 7101	CONNECTOR				SC25-06WS	P0090625		1-			
J 7102	CONNECTOR				30FLT-SM1-TB	P1091142		1-			
J 7103	CONNECTOR				TMP-J01X-V6	P1090210		1-			
J 7104	CONNECTOR				09FMN-BMTTN-TFT	P1091089		1-			
L 7101	M.RFC	10uH			CDRH73-100MC	L1690598		1-			
L 7102	COILRF				SC-131 3.5/5.0/7.0MHz	L0022902		1-			
L 7102	COILRF				SC-131 3.5/5.0/7.0MHz	L0022902A		3-			
MO7100	STEPPINGMOTOR				KH39GM2-026	M2190029		1-			
Q 7100	IC				NJM3517E2-TE2	G1093849		1-			
Q 7101	TRANSISTOR				DTC123JE TL	G3070323		1-			
Q 7102	TRANSISTOR				DTC123JE TL	G3070323		1-			
Q 7103	TRANSISTOR				DTC123JE TL	G3070323		1-			
Q 7104	TRANSISTOR				2SC2412K-T146-R	G3324128R		1-			
Q 7105	TRANSISTOR				2SC2412K-T146-R	G3324128R		1-			
Q 7106	TRANSISTOR				2SB1182-TLQ	G3070063		1-			
Q 7107	TRANSISTOR				2SB1182-TLQ	G3070063		1-			
Q 7108	TRANSISTOR				2SB1182-TLQ	G3070063		1-			

# TUNE-2 Unit (D Type, MTU-80/40)

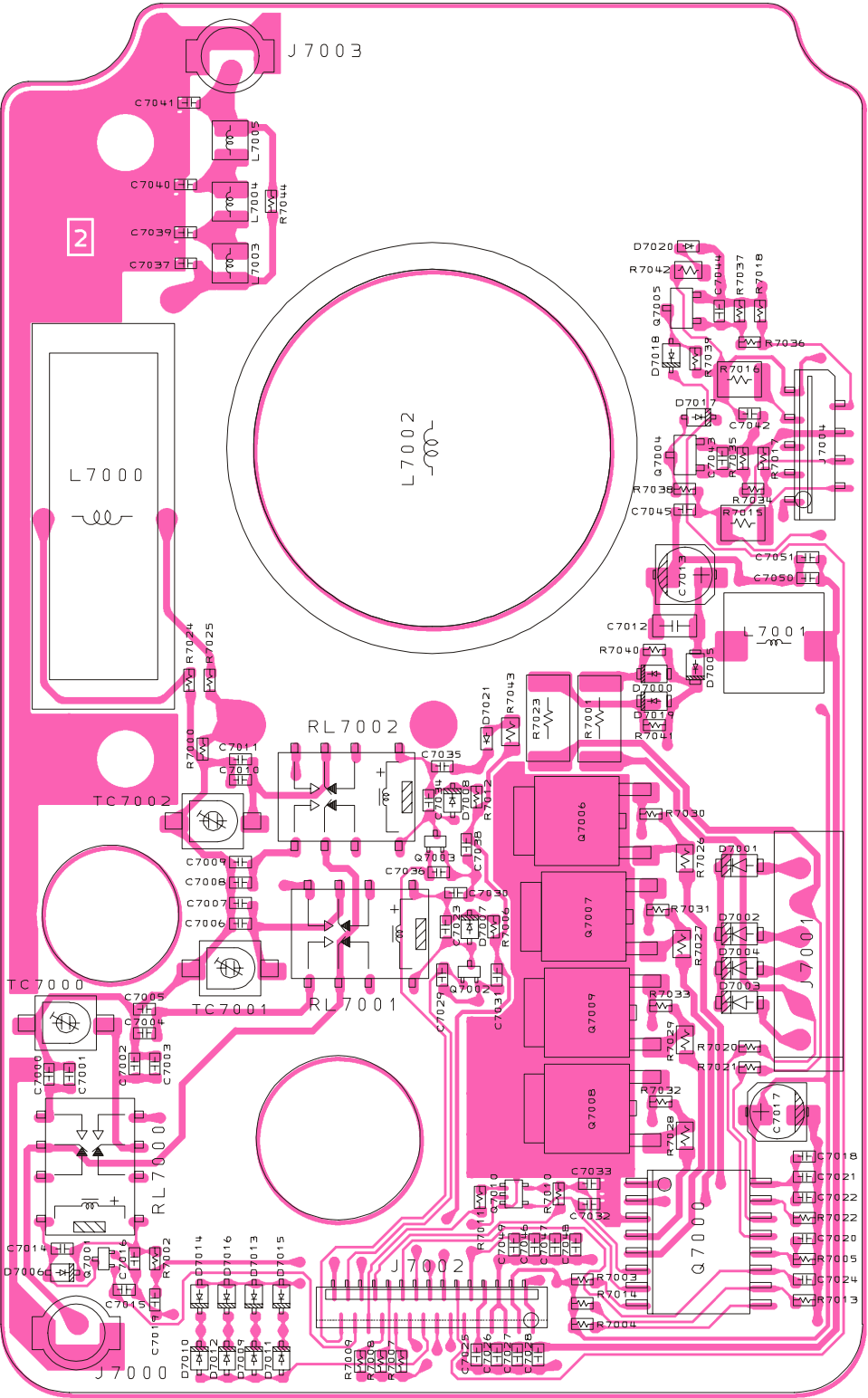
## Parts List

REF	DESCRIPTION	VALUE	V/W	TOL.	MFR'S DESIG	VXSTD P/N	VERS.	LOT	SIDE	LAY ADR
Q 7109	TRANSISTOR				2SB1182-TLQ	G3070063		1-		
Q 7110	IC				TC7S32FU TE85R	G1091529		1-		
R 7100	CHIPRES.	0	1/16W	5%	RMC1/16 000JATP	J24185000		1-		
R 7101	CHIPRES.	22	1W	5%	RMC1 220JTE	J24305220		1-		
R 7102	CHIPRES.	100	1/16W	5%	RMC1/16 101JATP	J24185101		1-		
R 7106	CHIPRES.	100	1/16W	5%	RMC1/16 101JATP	J24185101		1-		
R 7107	CHIPRES.	0	1/16W	5%	RMC1/16 000JATP	J24185000		1-		
R 7108	CHIPRES.	0	1/16W	5%	RMC1/16 000JATP	J24185000		1-		
R 7109	CHIPRES.	0	1/16W	5%	RMC1/16 000JATP	J24185000		1-		
R 7110	CHIPRES.	0	1/16W	5%	RMC1/16 000JATP	J24185000		1-		
R 7111	CHIPRES.	0	1/16W	5%	RMC1/16 000JATP	J24185000		1-		
R 7112	CHIPRES.	100	1/16W	5%	RMC1/16 101JATP	J24185101		1-		
R 7114	CHIPRES.	47k	1/16W	5%	RMC1/16 473JATP	J24185473		1-		
R 7115	CHIPRES.	180	1/4W	5%	RMC1/4 181JATP	J24245181		1-		
R 7116	CHIPRES.	180	1/4W	5%	RMC1/4 181JATP	J24245181		1-		
R 7123	CHIPRES.	22	1W	5%	RMC1 220JTE	J24305220		1-		
R 7126	CHIPRES.	220	1/10W	5%	RMC1/10T 221J	J24205221		1-		
R 7127	CHIPRES.	220	1/10W	5%	RMC1/10T 221J	J24205221		1-		
R 7128	CHIPRES.	220	1/10W	5%	RMC1/10T 221J	J24205221		1-		
R 7129	CHIPRES.	220	1/10W	5%	RMC1/10T 221J	J24205221		1-		
R 7130	CHIPRES.	47k	1/16W	5%	RMC1/16 473JATP	J24185473		1-		
R 7131	CHIPRES.	47k	1/16W	5%	RMC1/16 473JATP	J24185473		1-		
R 7132	CHIPRES.	47k	1/16W	5%	RMC1/16 473JATP	J24185473		1-		
R 7133	CHIPRES.	47k	1/16W	5%	RMC1/16 473JATP	J24185473		1-		
R 7134	CHIPRES.	1k	1/16W	5%	RMC1/16 102JATP	J24185102		1-		
R 7135	CHIPRES.	1k	1/16W	5%	RMC1/16 102JATP	J24185102		1-		
R 7136	CHIPRES.	1k	1/16W	5%	RMC1/16 102JATP	J24185102		1-		
R 7137	CHIPRES.	1k	1/16W	5%	RMC1/16 102JATP	J24185102		1-		
R 7138	CHIPRES.	47k	1/16W	5%	RMC1/16 473JATP	J24185473		1-		
R 7139	CHIPRES.	47k	1/16W	5%	RMC1/16 473JATP	J24185473		1-		
R 7144	CHIPRES.	0	1/16W	5%	RMC1/16 000JATP	J24185000		1-		
RL7100	RELAY		DC12V		G6K-2F-Y-TR DC12V	M1190183		1-		
RL7101	RELAY		DC12V		G6K-2F-Y-TR DC12V	M1190183		1-		
RL7102	RELAY		DC12V		G6K-2F-Y-TR DC12V	M1190183		1-		
TC7100	TRIMMERCAP.	50pF			TZB4R500EA10R00	K91000277		1-		
TC7101	TRIMMERCAP.	50pF			TZB4R500EA10R00	K91000277		1-		
TC7102	TRIMMERCAP.	25pF			TZB4Z250EA10R00	K91000276		1-		
Y 7100	CORE				7A3 TRB-20-10-10 X5	L9190139		1-		

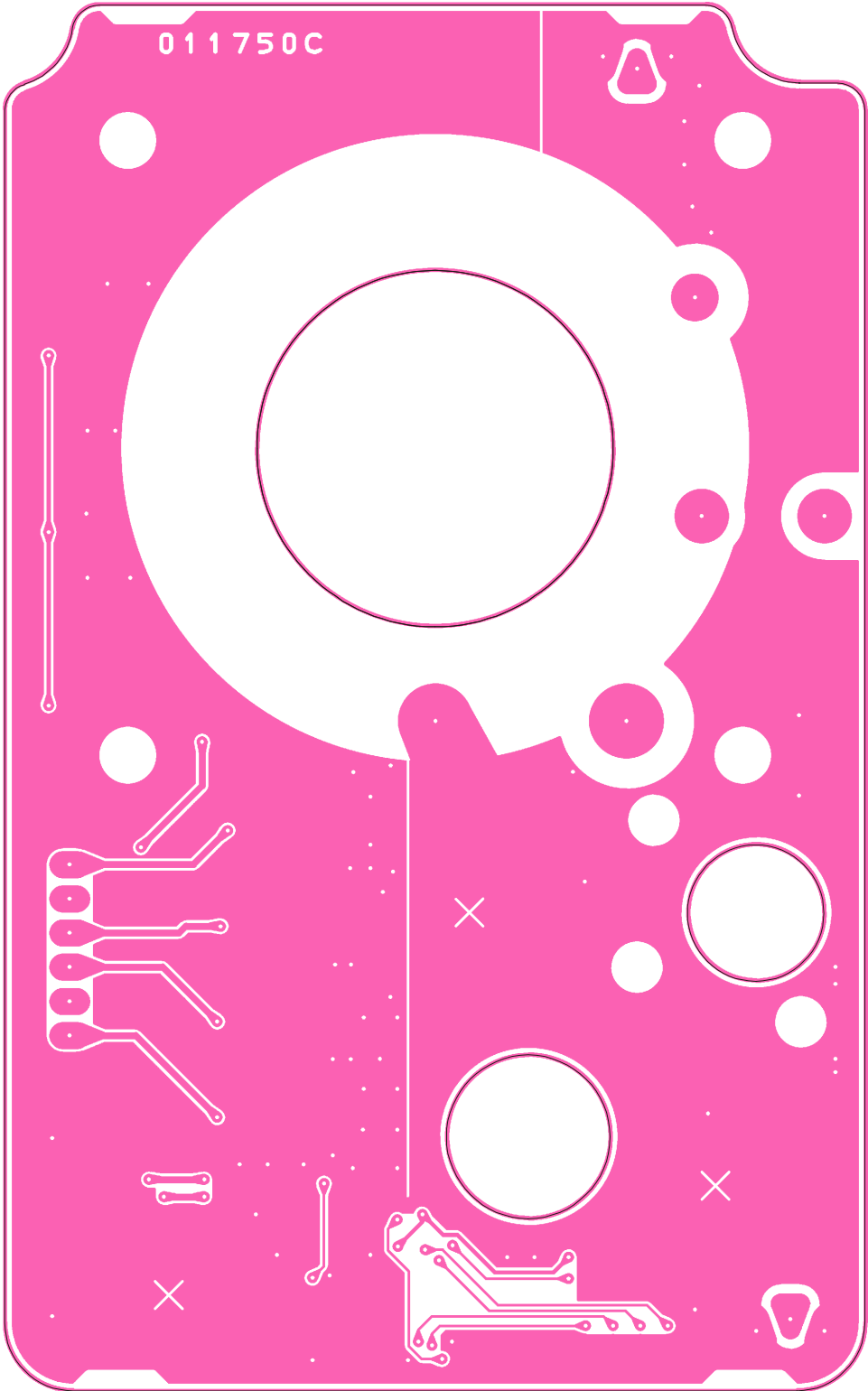


# TUNE-3 Unit (D Type, MTU-30/20)

## Parts Layout



Side A



Side B



# TUNE-3 Unit (D Type, MTU-30/20)

## Parts List

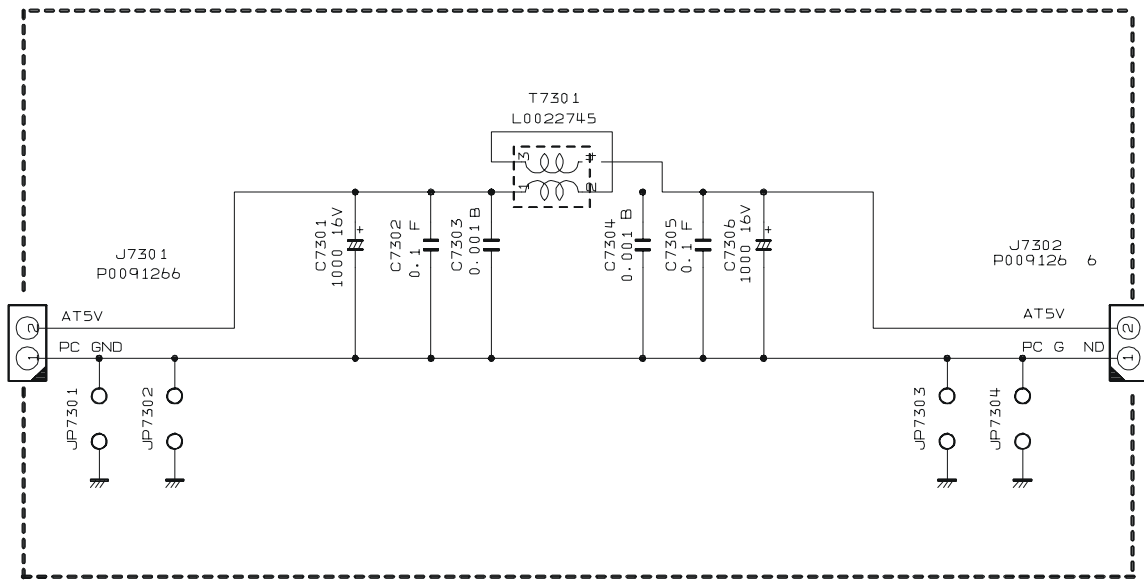
REF	DESCRIPTION	VALUE	V/W	TOL.	MFR'S DESIG	VXSTD P/N	VERS.	LOT	SIDE	LAY ADR	
PCB with Components						CB2772001					
Printed Circuit Board						FR0117500			1-		
C 7200	CHIP CAP.	8pF	50V	CH	GRM1882C1H8R0DZ01D	K22174209		1-			
C 7202	CHIP CAP.	8pF	50V	CH	GRM1882C1H8R0DZ01D	K22174209		1-			
C 7203	CHIP CAP.	56pF	50V	CH	GRM1882C1H560JA01D	K22174229		1-			
C 7205	CHIP CAP.	4pF	50V	CH	GRM1882C1H4R0CZ01D	K22174205		1-			
C 7206	CHIP CAP.	3pF	50V	CJ	GRM1883C1H3R0CZ01D	K22174204		2-			
C 7207	CHIP CAP.	33pF	50V	CH	GRM1882C1H330JA01D	K22174223		1-			
C 7212	CHIP CAP.	0.1uF	50V	B	GRM42-6B104K50PT	K22171820		1-			
C 7213	AL.ELECTRO.CAP.	10uF	35V		ECEV1VA100WR	K48160004		1-			
C 7214	CHIP CAP.	0.047uF	25V	F	GRM39F473Z25PT	K22145002		1-			
C 7215	CHIP CAP.	0.01uF	50V	B	GRM188B11H103JA01D	K22174824		1-			
C 7216	CHIP CAP.	0.1uF	16V	B	GRM188B11C104KA01D	K22124805		1-			
C 7217	AL.ELECTRO.CAP.	10uF	35V		ECEV1VA100WR	K48160004		1-			
C 7218	CHIP CAP.	0.1uF	16V	B	GRM188B11C104KA01D	K22124805		1-			
C 7219	CHIP CAP.	0.01uF	50V	B	GRM188B11H103JA01D	K22174824		1-			
C 7221	CHIP CAP.	0.001uF	50V	B	GRM188B11H102KA01D	K22174821		1-			
C 7222	CHIP CAP.	0.01uF	50V	B	GRM188B11H103KA01D	K22174823		1-			
C 7223	CHIP CAP.	0.047uF	25V	F	GRM39F473Z25PT	K22145002		1-			
C 7225	CHIP CAP.	0.01uF	50V	B	GRM188B11H103JA01D	K22174824		1-			
C 7226	CHIP CAP.	0.1uF	16V	B	GRM188B11C104KA01D	K22124805		1-			
C 7227	CHIP CAP.	0.047uF	16V	B	GRM39B473K16PT	K22124804		1-			
C 7228	CHIP CAP.	0.001uF	50V	B	GRM188B11H102KA01D	K22174821		1-			
C 7229	CHIP CAP.	0.01uF	50V	B	GRM188B11H103JA01D	K22174824		1-			
C 7230	CHIP CAP.	0.1uF	16V	B	GRM188B11C104KA01D	K22124805		1-			
C 7231	CHIP CAP.	0.01uF	50V	B	GRM188B11H103JA01D	K22174824		1-			
C 7242	CHIP CAP.	0.01uF	50V	B	GRM188B11H103KA01D	K22174823		1-			
C 7245	CHIP CAP.	0.01uF	50V	B	GRM188B11H103KA01D	K22174823		1-			
C 7246	CHIP CAP.	0.01uF	50V	B	GRM188B11H103JA01D	K22174824		1-			
C 7247	CHIP CAP.	0.047uF	16V	B	GRM39B473K16PT	K22124804		1-			
C 7248	CHIP CAP.	0.1uF	16V	B	GRM188B11C104KA01D	K22124805		1-			
C 7249	CHIP CAP.	0.001uF	50V	B	GRM188B11H102KA01D	K22174821		1-			
D 7200	DIODE				RSX101VA-30TR	G2070984		1-			
D 7201	DIODE				RF071M2S-TR	G2071068		1-			
D 7202	DIODE				RF071M2S-TR	G2071068		1-			
D 7203	DIODE				RF071M2S-TR	G2071068		1-			
D 7204	DIODE				RF071M2S-TR	G2071068		1-			
D 7205	DIODE				RSX101VA-30TR	G2070984		1-			
D 7206	DIODE				BAS316	G2070716		1-			
D 7207	DIODE				BAS316	G2070716		1-			
D 7209	DIODE				BAS316	G2070716		1-			
D 7210	DIODE				BAS316	G2070716		1-			
D 7213	DIODE				BAS316	G2070716		1-			
D 7214	DIODE				BAS316	G2070716		1-			
D 7217	DIODE				BAS316	G2070716		1-			
D 7218	DIODE				BAS316	G2070716		1-			
D 7219	DIODE				RSX101VA-30TR	G2070984		1-			
J 7200	CONNECTOR				TMP-J01X-V6	P1090210		1-			
J 7201	CONNECTOR				SC25-06WS	P0090625		1-			
J 7202	CONNECTOR				30FLT-SM1-TB	P1091142		1-			
J 7203	CONNECTOR				TMP-J01X-V6	P1090210		1-			
J 7204	CONNECTOR				09FMN-BMTTN-TFT	P1091089		1-			
L 7201	M.RFC	10uH			CDRH73-100MC	L1690598		1-			
L 7202	COILRF				SC-132 10/14MHz	L0022903		1-			
L 7202	COILRF				SC-132 10/14MHz	L0022903A		3-			
MO7200	STEPPINGMOTOR				KH39GM2-026	M2190029		1-			
Q 7200	IC				NJM3517E2-TE2	G1093849		1-			
Q 7201	TRANSISTOR				DTC123JE TL	G3070323		1-			
Q 7202	TRANSISTOR				DTC123JE TL	G3070323		1-			
Q 7204	TRANSISTOR				2SC2412K-T146-R	G3324128R		1-			
Q 7205	TRANSISTOR				2SC2412K-T146-R	G3324128R		1-			
Q 7206	TRANSISTOR				2SB1182-TLQ	G3070063		1-			
Q 7207	TRANSISTOR				2SB1182-TLQ	G3070063		1-			
Q 7208	TRANSISTOR				2SB1182-TLQ	G3070063		1-			
Q 7209	TRANSISTOR				2SB1182-TLQ	G3070063		1-			
Q 7210	IC				TC7S32FU TE85R	G1091529		1-			
R 7200	CHIPRES.	0	1/16W	5%	RMC1/16 000JATP	J24185000		1-			
R 7201	CHIPRES.	22	1W	5%	RMC1 220JTE	J24305220		1-			
R 7202	CHIPRES.	100	1/16W	5%	RMC1/16 101JATP	J24185101		1-			
R 7206	CHIPRES.	100	1/16W	5%	RMC1/16 101JATP	J24185101		1-			
R 7207	CHIPRES.	0	1/16W	5%	RMC1/16 000JATP	J24185000		1-			
R 7208	CHIPRES.	0	1/16W	5%	RMC1/16 000JATP	J24185000		1-			
R 7209	CHIPRES.	0	1/16W	5%	RMC1/16 000JATP	J24185000		1-			

# TUNE-3 Unit (D Type, MTU-30/20)

## Parts List

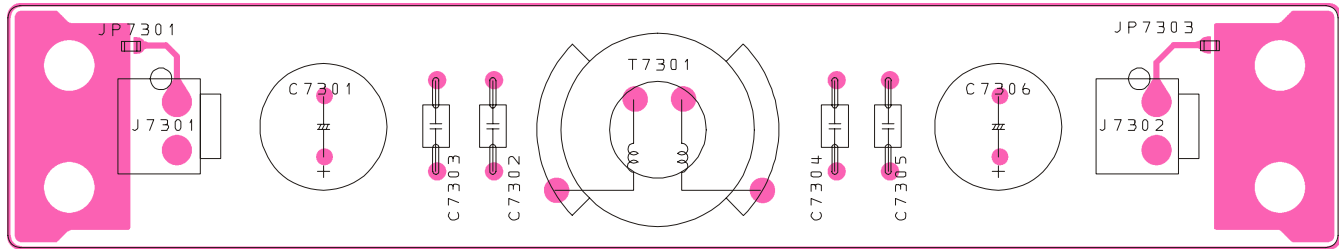
REF	DESCRIPTION	VALUE	V/W	TOL.	MFR'S DESIG	VXSTD P/N	VERS.	LOT	SIDE	LAY ADR
R 7210	CHIPRES.	0	1/16W	5%	RMC1/16 000JATP	J24185000		1-		
R 7211	CHIPRES.	0	1/16W	5%	RMC1/16 000JATP	J24185000		1-		
R 7214	CHIPRES.	47k	1/16W	5%	RMC1/16 473JATP	J24185473		1-		
R 7215	CHIPRES.	180	1/4W	5%	RMC1/4 181JATP	J24245181		1-		
R 7216	CHIPRES.	180	1/4W	5%	RMC1/4 181JATP	J24245181		1-		
R 7223	CHIPRES.	22	1W	5%	RMC1 220JTE	J24305220		1-		
R 7226	CHIPRES.	220	1/10W	5%	RMC1/10T 221J	J24205221		1-		
R 7227	CHIPRES.	220	1/10W	5%	RMC1/10T 221J	J24205221		1-		
R 7228	CHIPRES.	220	1/10W	5%	RMC1/10T 221J	J24205221		1-		
R 7229	CHIPRES.	220	1/10W	5%	RMC1/10T 221J	J24205221		1-		
R 7230	CHIPRES.	47k	1/16W	5%	RMC1/16 473JATP	J24185473		1-		
R 7231	CHIPRES.	47k	1/16W	5%	RMC1/16 473JATP	J24185473		1-		
R 7232	CHIPRES.	47k	1/16W	5%	RMC1/16 473JATP	J24185473		1-		
R 7233	CHIPRES.	47k	1/16W	5%	RMC1/16 473JATP	J24185473		1-		
R 7234	CHIPRES.	1k	1/16W	5%	RMC1/16 102JATP	J24185102		1-		
R 7235	CHIPRES.	1k	1/16W	5%	RMC1/16 102JATP	J24185102		1-		
R 7236	CHIPRES.	1k	1/16W	5%	RMC1/16 102JATP	J24185102		1-		
R 7237	CHIPRES.	1k	1/16W	5%	RMC1/16 102JATP	J24185102		1-		
R 7238	CHIPRES.	47k	1/16W	5%	RMC1/16 473JATP	J24185473		1-		
R 7239	CHIPRES.	47k	1/16W	5%	RMC1/16 473JATP	J24185473		1-		
R 7244	CHIPRES.	0	1/16W	5%	RMC1/16 000JATP	J24185000		1-		
RL7200	RELAY		DC12V		G6K-2F-Y-TR DC12V	M1190183		1-		
RL7201	RELAY		DC12V		G6K-2F-Y-TR DC12V	M1190183		1-		
TC7200	TRIMMERCAP.	25pF			TZB4Z250EA10R00	K91000276		1-		
TC7201	TRIMMERCAP.	10pF			TZB4Z100EA10R00	K91000272		1-		
Y 7200	CORE				7A3 TRB-20-10-10 X5	L9190139		1-		

# PC-FIL Unit Circuit Diagram

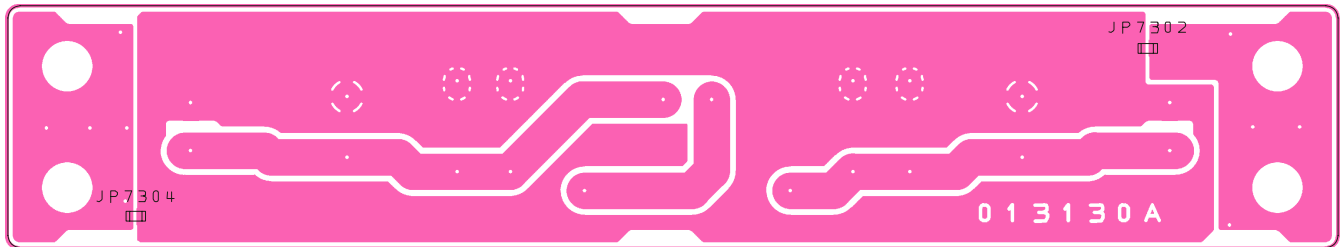


# PC-FIL Unit

## Parts Layout



Side A

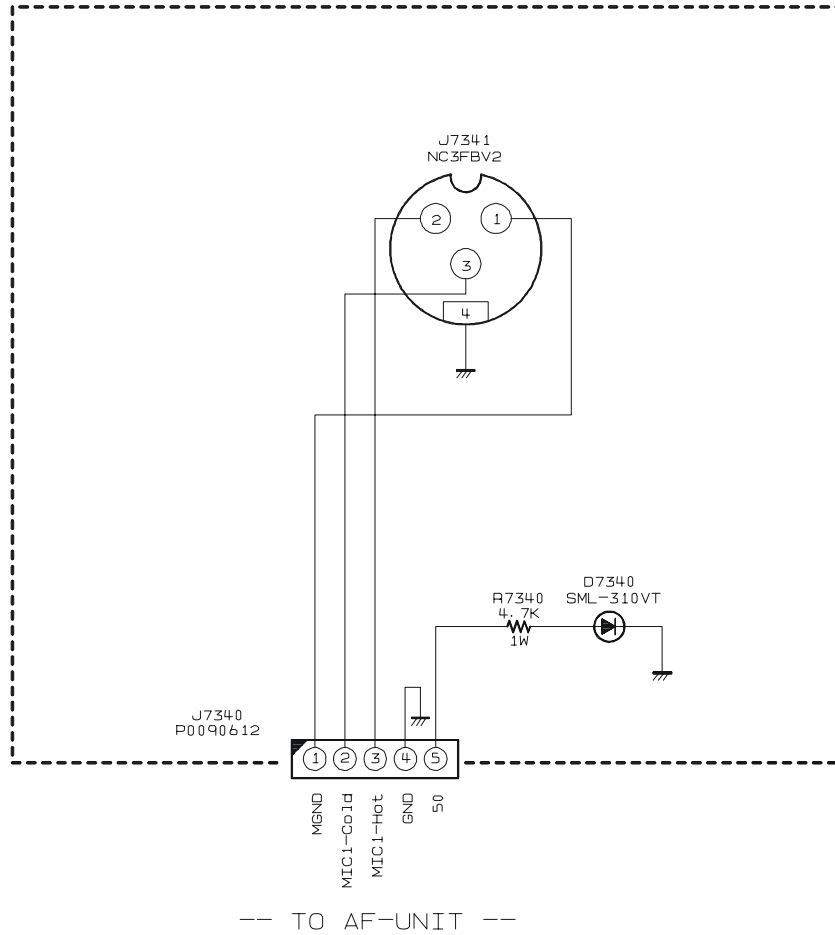


Side B

## Parts List

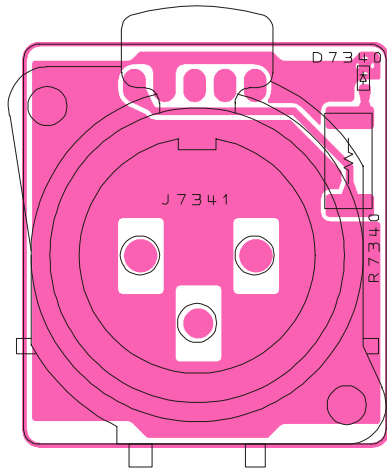
REF	DESCRIPTION	VALUE	V/W	TOL.	MFR'S DESIG	VXSTD P/N	VERS.	LOT	SIDE	LAY ADR
PCB with Components						CB3110001	W/MEMORY			
Printed Circuit Board						FR0131300		1-		
C 7301	AL.ELECTRO.CAP.	1000uF	16V		RE3-16V102MH3 1000UF	K40129096		1-	A	A1
C 7302	CERAMIC CAP.	0.1uF	50V	F	UP050F104Z-A-B	K28179003		1-	A	B1
C 7303	CERAMIC CAP.	0.001uF	50V	B	UP050B102K-A-B	K28179001		1-	A	B1
C 7304	CERAMIC CAP.	0.001uF	50V	B	UP050B102K-A-B	K28179001		1-	A	C1
C 7305	CERAMIC CAP.	0.1uF	50V	F	UP050F104Z-A-B	K28179003		1-	A	C1
C 7306	AL.ELECTRO.CAP.	1000uF	16V		RE3-16V102MH3 1000UF	K40129096		1-	A	C1
J 7301	CONNECTOR				B2P-VH	P0091266		1-	A	A1
J 7302	CONNECTOR				B2P-VH	P0091266		1-	A	D1
T 7301	TOROIDAL COIL				D12A R116X8X8(H007)	L0022745		1-	A	B1

# MIC-A Unit Circuit Diagram

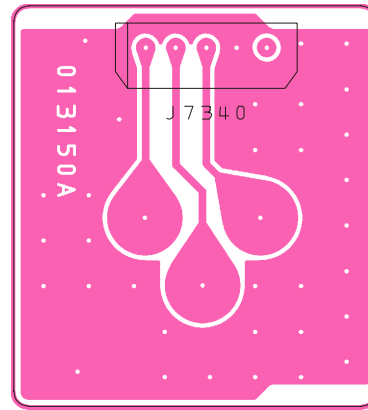


# MIC-A Unit

## Parts Layout



Side A

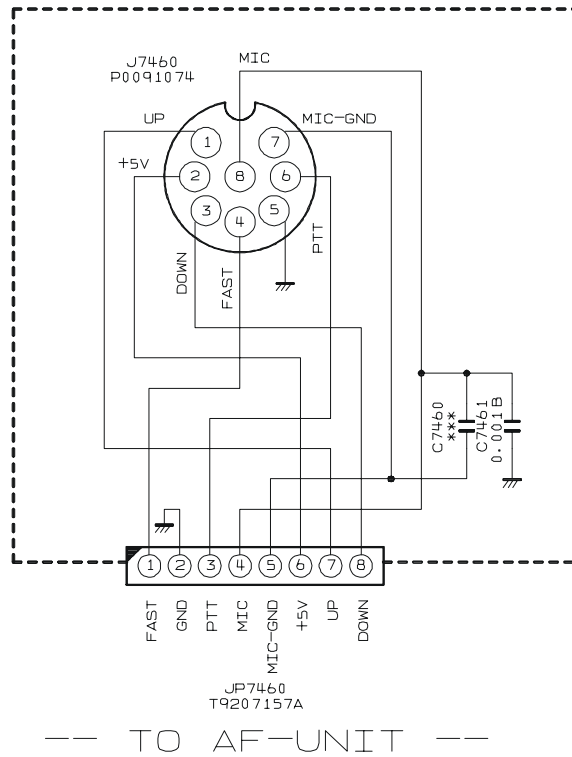


Side B

## Parts List

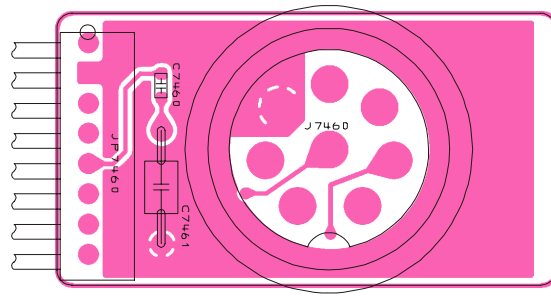
REF	DESCRIPTION	VALUE	V/W	TOL.	MFR'S DESIG	VXSTD P/N	VERS.	LOT	SIDE	LAY ADR
	PCB with Components					CB3112001				
	Printed Circuit Board					FR0131500		1-		
D 7340	LED				SML-310VTT86JK	G2071032		1-		
J 7340	CONNECTOR				SB20-05WS	P0090612		1-		
J 7341	CONNECTOR				NC3FBV2	P1091231		1-		
R 7340	CHIP RES.	4.7k	1W	5%	RMC1 472JTE	J24305472		1-		

# MIC-B Unit Circuit Diagram

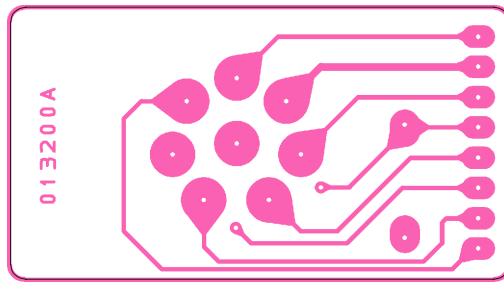


# MIC-B Unit

## Parts Layout



Side A

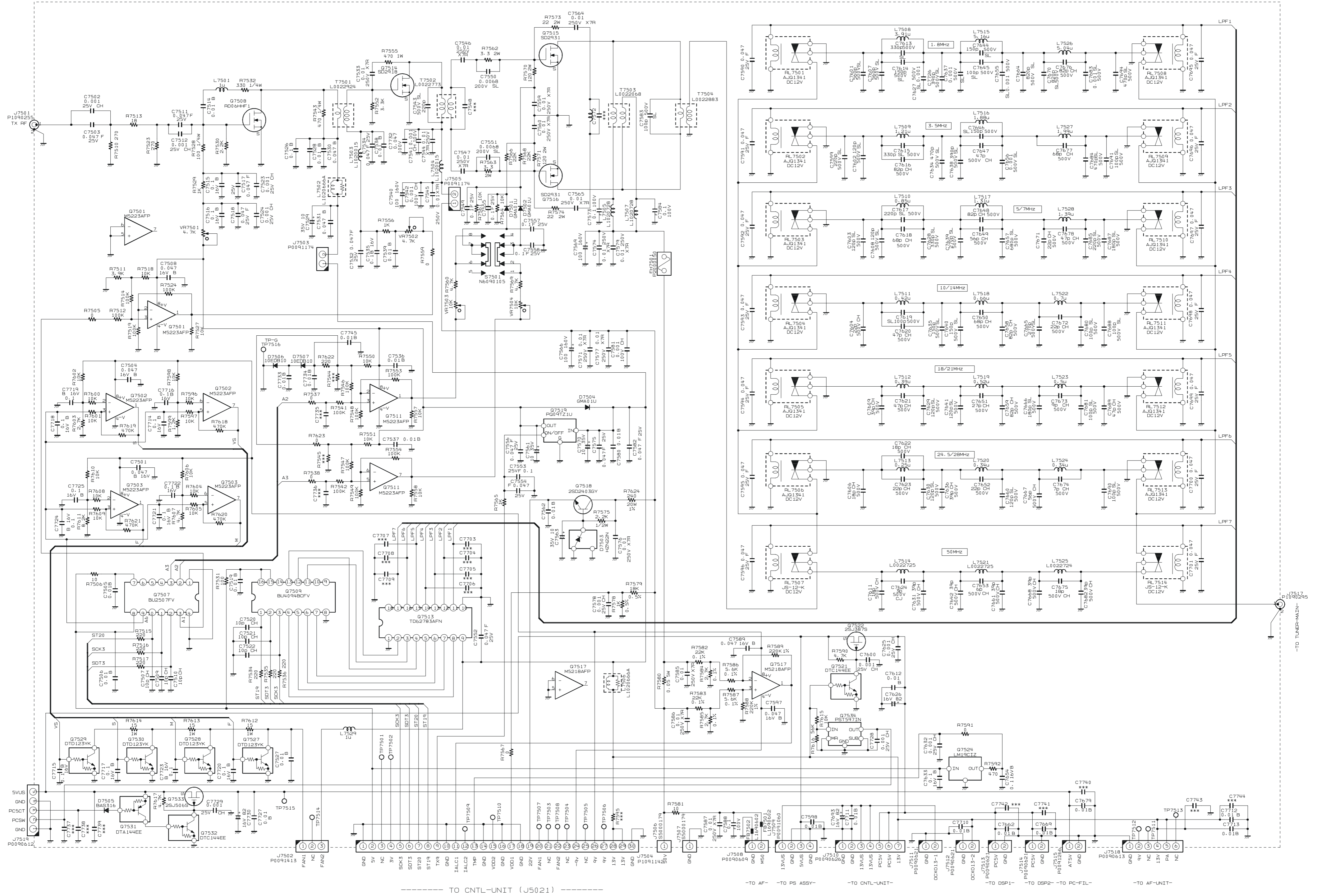


Side B

## Parts List

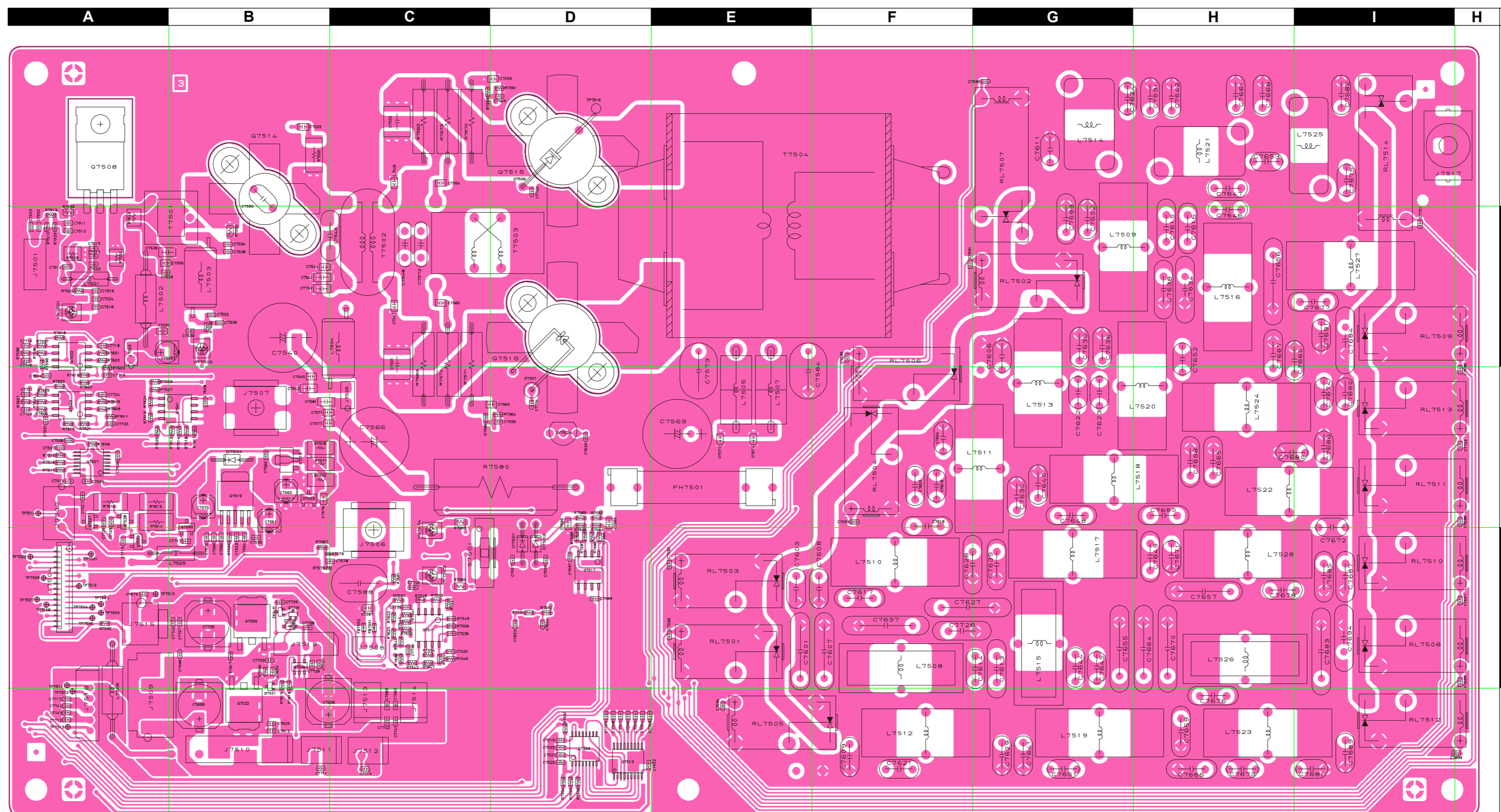
REF	DESCRIPTION	VALUE	V/W	TOL.	MFR'S DESIG	VXSTD P/N	VERS.	LOT	SIDE	LAY ADR
	PCB with Components					CB3118001				
	Printed Circuit Board					FR0132000		1-		
C 7461	CERAMIC CAP.	0.001uF	50V	B	UP050B102K-A-B	K28179001		1-		
J 7460	CONNECTOR				FM214-8SMPT-NI	P0091074		1-		
JP7460	WIRE ASSY				AH010H	T9207157A		1-		
JP7460	WIRE ASSY				AH010H	T9207157B		10-		



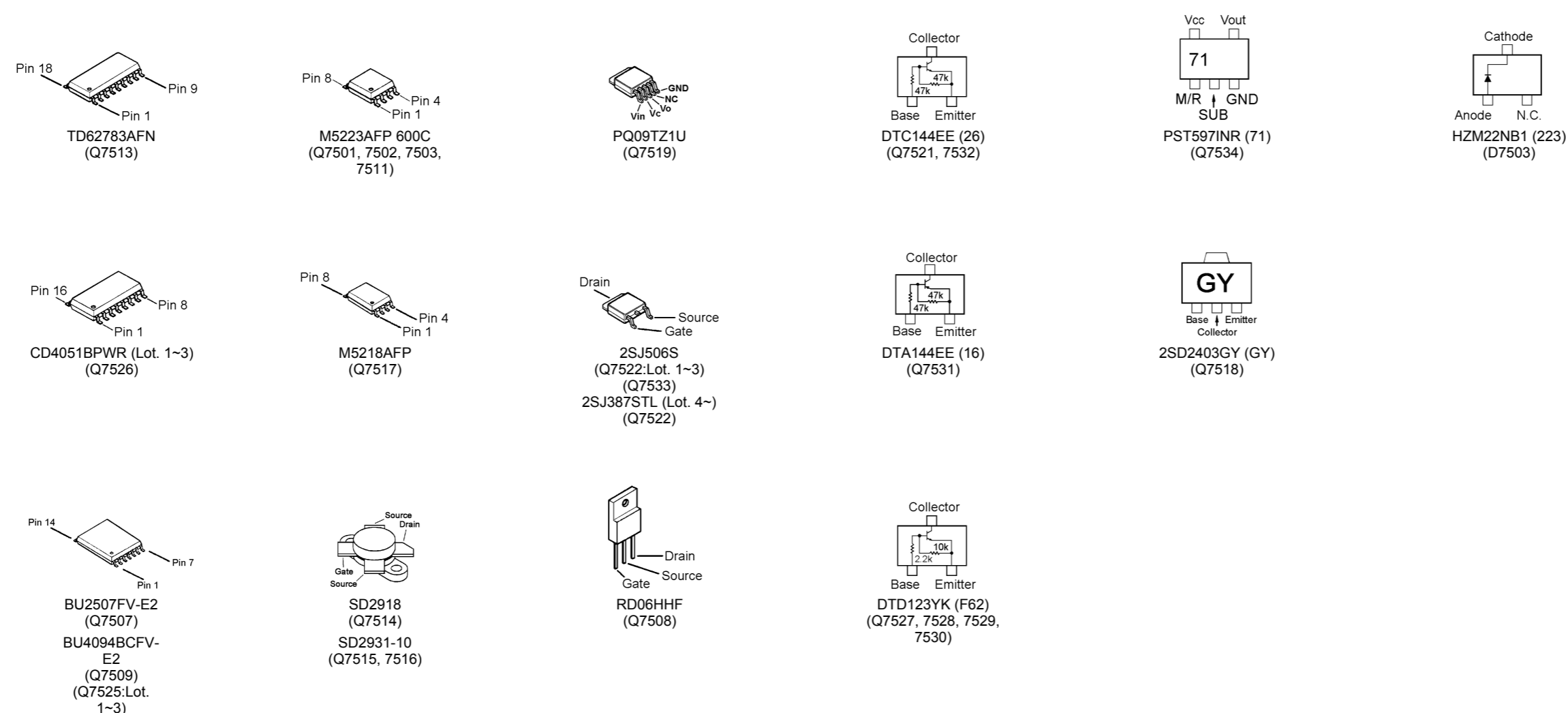


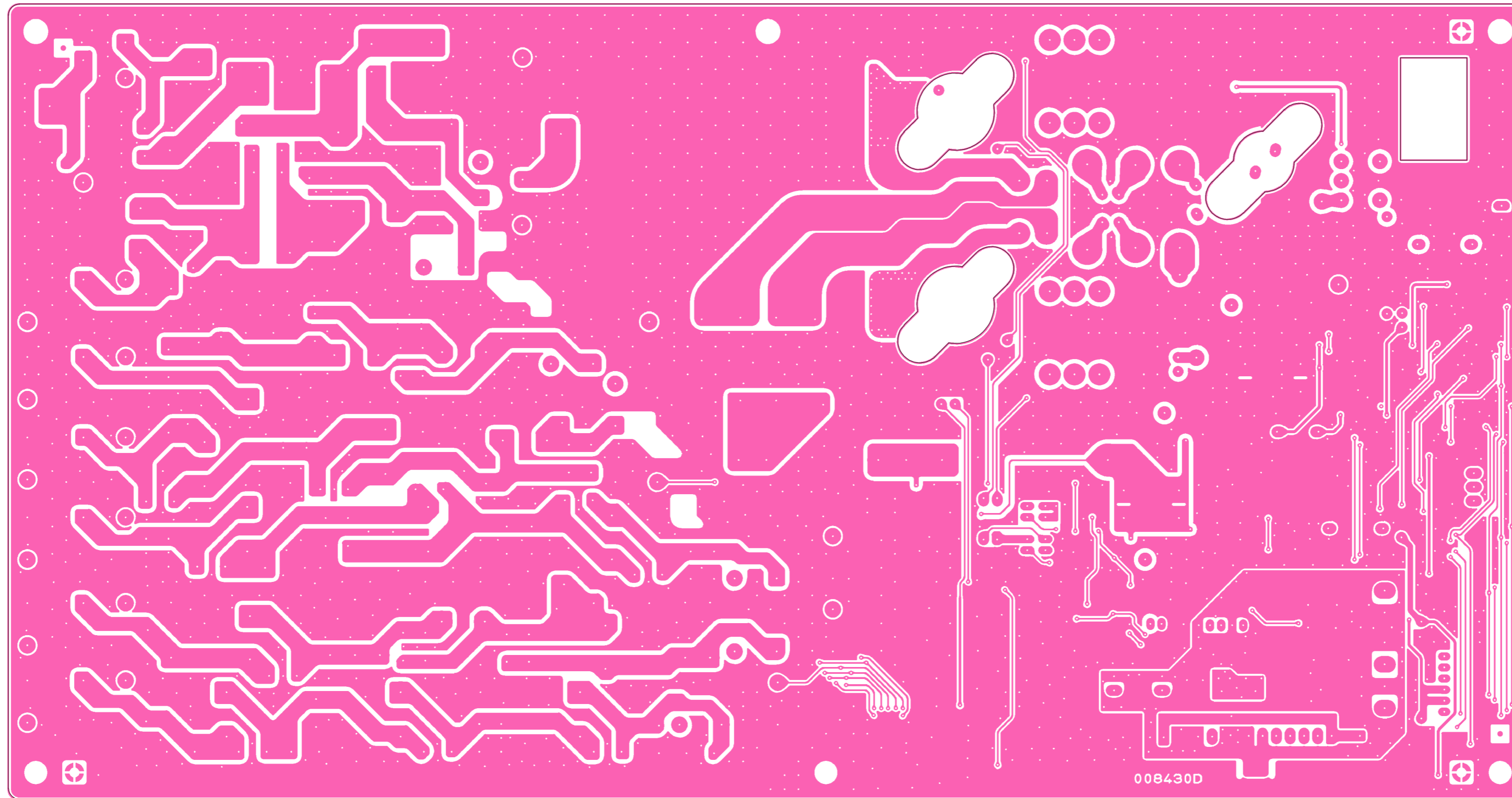
*PA-B Unit (D, Contest Type)*

*Note*



Side A





Side B

# PA-B Unit (D, Contest Type)

## Parts List

REF	DESCRIPTION	VALUE	V/W	TOL.	MFR'S DESIG	VXSTD P/N	VERS.	LOT	SIDE	LAY ADR
PCB with Components						CS1855001				
Printed Circuit Board						FR008430C				
C 7501	CHIP CAP.	0.047uF	16V	B	GRM39B473K16PT	K22124804		1-	A	A3
C 7502	CHIP CAP.	0.001uF	25V	CH	GRM1882C1E102JA01D	K22144204		1-	A	A2
C 7503	CHIP CAP.	0.047uF	25V	F	GRM39F473Z25PT	K22145002		1-	A	A2
C 7504	CHIP CAP.	0.047uF	16V	B	GRM39B473K16PT	K22124804		1-	A	A3
C 7505	CHIP CAP.	0.01uF	50V	B	GRM188B11H103KA01D	K22174823		1-	A	A3
C 7506	CHIP CAP.	0.01uF	50V	B	GRM188B11H103KA01D	K22174823		1-	A	A3
C 7507	CHIP CAP.	10pF	50V	CH	GRM1882C1H100JA01D	K22174211		1-	A	A3
C 7508	CHIP CAP.	0.047uF	16V	B	GRM39B473K16PT	K22124804		1-	A	B3
C 7509	CHIP CAP.	10pF	50V	CH	GRM1882C1H100JA01D	K22174211		1-	A	A3
C 7510	CHIP CAP.	10pF	50V	CH	GRM1882C1H100JA01D	K22174211		1-	A	A3
C 7511	CHIP CAP.	0.047uF	25V	F	GRM39F473Z25PT	K22145002		1-	A	A2
C 7512	CHIP CAP.	0.001uF	25V	CH	GRM1882C1E102JA01D	K22144204		1-	A	A2
C 7514	CHIP CAP.	0.01uF	50V	B	GRM188B11H103JA01D	K22174824		1-	A	A2
C 7515	CHIP CAP.	0.1uF	16V	B	GRM188B11C104KA01D	K22124805		1-	A	A2
C 7516	CHIP CAP.	0.1uF	16V	B	GRM188B11C104KA01D	K22124805		1-	A	A2
C 7517	CHIP CAP.	0.047uF	25V	F	GRM39F473Z25PT	K22145002		1-	A	A2
C 7518	CHIP CAP.	0.047uF	25V	F	GRM39F473Z25PT	K22145002		1-	A	A2
C 7519	CHIP CAP.	0.01uF	50V	B	GRM188B11H103KA01D	K22174823		1-	A	D5
C 7520	CHIP CAP.	10pF	50V	CH	GRM1882C1H100JA01D	K22174211		1-	A	D5
C 7521	CHIP CAP.	10pF	50V	CH	GRM1882C1H100JA01D	K22174211		1-	A	D5
C 7522	CHIP CAP.	10pF	50V	CH	GRM1882C1H100JA01D	K22174211		1-	A	D5
C 7523	CHIP CAP.	0.001uF	25V	CH	GRM1882C1E102JA01D	K22144204		1-	A	A2
C 7524	CHIP CAP.	0.001uF	25V	CH	GRM1882C1E102JA01D	K22144204		1-	A	A2
C 7526	CHIP CAP.	0.1uF	50V	B	GRM42-6B104K50PT	K22171820		1-	A	A2
C 7527	CHIP CAP.	0.01uF	50V	B	GRM188B11H103KA01D	K22174823		1-1	A	A3
C 7527	CHIP CAP.	0.01uF	50V	B	GRM188B11H103KA01D	K22174823		4-	A	A3
C 7528	CHIP CAP.	0.01uF	50V	B	GRM188B11H103JA01D	K22174824		1-	A	A2
C 7529	AL.ELECTRO.CAP.	10uF	35V		ECEV1VA100WR	K48160004		1-	A	A2
C 7530	CHIP CAP.	0.047uF	50V	B	GRM40B473M50PT	K22170823		1-	A	A2
C 7531	CHIP CAP.	0.047uF	50V	B	GRM40B473M50PT	K22170823		1-	A	A2
C 7532	CHIP CAP.	0.047uF	25V	F	GRM39F473Z25PT	K22145002		1-	A	B2
C 7533	CHIP CAP.	0.01uF	50V	B	GRM188B11H103JA01D	K22174824		1	A	B1
C 7533	CHIP CAP.	0.01uF	250V	X7R	GRM21BR72E103KW03L	K22240801		2-	A	B1
C 7534	CHIP CAP.	0.047uF	25V	F	GRM39F473Z25PT	K22145002		1-	A	B2
C 7535	CHIP CAP.	0.1uF	16V	B	GRM188B11C104KA01D	K22124805		1-	A	B2
C 7536	CHIP CAP.	0.01uF	50V	B	GRM188B11H103KA01D	K22174823		1-	A	C4
C 7537	CHIP CAP.	0.01uF	50V	B	GRM188B11H103KA01D	K22174823		1-	A	C4
C 7538	CHIP CAP.	0.01uF	50V	B	GRM188B11H103JA01D	K22174824		1-	A	B2
C 7539	CHIP CAP.	0.01uF	50V	B	GRM188B11H103JA01D	K22174824		1-	A	B2
C 7540	AL.ELECTRO.CAP.	100uF	160V		RE3-160V101M	K40229001		1-	A	B2
C 7541	CERAMIC CAP.	0.001uF	100V	CH	GRM42-6CH102J100PT	K22201202		1-	A	B2
C 7542	CERAMIC CAP.	0.001uF	100V	CH	GRM42-6CH102J100PT	K22201202		1-	A	B3
C 7543	CERAMIC CAP.	220pF	500V	SL	RT-HM95SKSL221J	K26270061		1-	A	C2
C 7544	CHIP CAP.	0.01uF	250V	X7R	GRM21BR72E103KW03L	K22240801		1-	A	B2
C 7545	CHIP CAP.	0.01uF	250V	X7R	GRM21BR72E103KW03L	K22240801		1-	A	B3
C 7546	CHIP CAP.	0.01uF	250V	X7R	GRM21BR72E103KW03L	K22240801		1-	A	C1
C 7547	CHIP CAP.	0.01uF	250V	X7R	GRM21BR72E103KW03L	K22240801		1-	A	C2
C 7549	CHIP CAP.	0.1uF	25V	F	GRM39F104Z25PT	K22145001		1-	A	D1
C 7550	CERAMIC CAP.	0.0068uF	200V	SL	GRM55R1X2D682JV01L	K22236101		1-	A	C1
C 7551	CERAMIC CAP.	0.0068uF	200V	SL	GRM55R1X2D682JV01L	K22236101		1-	A	C2
C 7552	CHIP CAP.	0.047uF	25V	F	GRM39F473Z25PT	K22145002		1-	A	D5
C 7553	CHIP CAP.	0.1uF	25V	F	GRM39F104Z25PT	K22145001		1-	A	B4
C 7554	CHIP CAP.	0.047uF	25V	F	GRM39F473Z25PT	K22145002		1-	A	B4
C 7555	CHIP CAP.	0.1uF	25V	F	GRM39F104Z25PT	K22145001		1-	A	D3
C 7556	CHIP CAP.	0.047uF	25V	F	GRM39F473Z25PT	K22145002		1-	A	B4
C 7557	CHIP CAP.	0.1uF	25V	F	GRM39F104Z25PT	K22145001		1-	A	D4
C 7558	CHIP CAP.	0.1uF	25V	F	GRM39F104Z25PT	K22145001		1-	A	D4
C 7559	CHIP CAP.	0.01uF	250V	X7R	GRM21BR72E103KW03L	K22240801		1-	A	D1
C 7560	CHIP CAP.	0.01uF	250V	X7R	GRM21BR72E103KW03L	K22240801		1-	A	D3
C 7561	AL.ELECTRO.CAP.	10uF	35V		ECEV1VA100WR	K48160004		1-	A	B3
C 7562	CHIP CAP.	0.01uF	50V	B	GRM188B11H103JA01D	K22174824		1-	A	B3
C 7563	AL.ELECTRO.CAP.	10uF	35V		ECEV1VA100WR	K48160004		1-	A	B3
C 7564	CHIP CAP.	0.01uF	250V	X7R	GRM21BR72E103KW03L	K22240801		1-	A	C1
C 7565	CHIP CAP.	0.01uF	250V	X7R	GRM21BR72E103KW03L	K22240801		1-	A	C2
C 7566	AL.ELECTRO.CAP.	100uF	160V		RE3-160V101M	K40229001		1-	A	C3
C 7569	AL.ELECTRO.CAP.	100uF	160V		RE3-160V101M	K40229001		1-	A	E3
C 7570	AL.ELECTRO.CAP.	10uF	35V		ECEV1VA100WR	K48160004		1-	A	B3
C 7571	CHIP CAP.	0.01uF	250V	X7R	GRM21BR72E103KW03L	K22240801		1-	A	B3
C 7573	FILM CAP.	0.1uF	100V		ECQ-B1104JF	K50205104		1-	A	E3
C 7574	CHIP CAP.	0.01uF	250V	X7R	GRM21BR72E103KW03L	K22240801		1-	A	E3
C 7575	CHIP CAP.	0.047uF	25V	F	GRM39F473Z25PT	K22145002		1-	A	B4

# PA-B Unit (D, Contest Type)

## Parts List

REF	DESCRIPTION	VALUE	V/W	TOL.	MFR'S DESIG	VXSTD P/N	VERS.	LOT	SIDE	LAY ADR
C 7576	CHIP CAP.	0.01uF	250V	X7R	GRM21BR72E103KW03L	K22240801		1-	A	B3
C 7577	CHIP CAP.	0.01uF	250V	X7R	GRM21BR72E103KW03L	K22240801		1-	A	B3
C 7578	CHIP CAP.	0.001uF	25V	CH	GRM1882C1E102JA01D	K22144204		1-	A	C4
C 7579	CHIP CAP.	0.01uF	250V	X7R	GRM21BR72E103KW03L	K22240801		1-	A	E3
C 7580	CHIP CAP.	0.01uF	50V	B	GRM188B11H103JA01D	K22174824		1-	A	B4
C 7581	CERAMIC CAP.	0.001uF	100V	CH	GRM42-6CH102J100PT	K22201202		1-	A	B3
C 7582	CHIP CAP.	0.047uF	25V	F	GRM39F473Z25PT	K22145002		1-	A	B4
C 7583	CERAMIC CAP.	100pF	500V	SL	RT-HM60SKSL101J	K26270057		1-	A	B2
C 7584	FILM CAP.	0.1uF	100V		ECQ-B1104JF	K50205104		1-	A	E3
C 7585	CHIP CAP.	0.01uF	250V	X7R	GRM21BR72E103KW03L	K22240801		1-	A	D3
C 7586	CHIP CAP.	0.01uF	250V	X7R	GRM21BR72E103KW03L	K22240801		1-	A	D3
C 7587	CHIP CAP.	0.01uF	250V	X7R	GRM21BR72E103KW03L	K22240801		1-	A	C4
C 7588	FILM CAP.	0.1uF	100V		ECQ-B1104JF	K50205104		1-	A	C4
C 7589	CHIP CAP.	0.047uF	16V	B	GRM39B473K16PT	K22124804		1-	A	D4
C 7590	CHIP CAP.	0.047uF	25V	F	GRM39F473Z25PT	K22145002		1-	A	E4
C 7591	CHIP CAP.	0.047uF	25V	F	GRM39F473Z25PT	K22145002		1-	A	F2
C 7592	CHIP CAP.	0.047uF	25V	F	GRM39F473Z25PT	K22145002		1-	A	E4
C 7593	CHIP CAP.	0.047uF	25V	F	GRM39F473Z25PT	K22145002		1-	A	F3
C 7594	CHIP CAP.	0.047uF	25V	F	GRM39F473Z25PT	K22145002		1-	A	E5
C 7595	CHIP CAP.	0.047uF	25V	F	GRM39F473Z25PT	K22145002		1-	A	F2
C 7596	CHIP CAP.	0.047uF	25V	F	GRM39F473Z25PT	K22145002		1-	A	G1
C 7597	CHIP CAP.	0.047uF	16V	B	GRM39B473K16PT	K22124804		1-	A	D4
C 7598	CHIP CAP.	0.01uF	50V	B	GRM188B11H103KA01D	K22174823		1-	A	B4
C 7599	CERAMIC CAP.	220pF	500V	SL	RT-HM95SKSL221J	K26270061		1-	A	G1
C 7600	CHIP CAP.	0.001uF	25V	CH	GRM1882C1E102JA01D	K22144204		1-	A	B4
C 7601	CERAMIC CAP.	560pF	500V	SL	HM15SJSLS561J	K00279025		1-	A	E4
C 7602	CERAMIC CAP.	120pF	500V	SL	RT-HM74SKSL121J	K26270058		1-	A	G1
C 7603	CERAMIC CAP.	120pF	500V	SL	RT-HM74SKSL121J	K26270058		1-	A	E4
C 7604	CERAMIC CAP.	22pF	500V	CH	RT-HM60SKCH220J	K26270155		1-	A	F3
C 7606	CERAMIC CAP.	18pF	500V	CH	RT-HM60SKCH180J	K26270154		1-	A	G2
C 7607	CERAMIC CAP.	560pF	500V	SL	HM15SJSLS561J	K00279025		1-	A	F4
C 7608	CERAMIC CAP.	120pF	500V	SL	RT-HM74SKSL121J	K26270058		1-	A	F4
C 7609	CERAMIC CAP.	39pF	500V	CH	RT-HM74SKCH390J	K26270158		1-	A	F5
C 7611	CERAMIC CAP.	18pF	500V	CH	RT-HM60SKCH180J	K26270154		1-	A	G1
C 7612	CHIP CAP.	0.01uF	50V	B	GRM188B11H103KA01D	K22174823		1-	A	B5
C 7613	CERAMIC CAP.	330pF	500V	SL	RT-HM11SKSL331J	K26270063		1-	A	G4
C 7614	CERAMIC CAP.	150pF	500V	SL	RT-HM74SKSL151J	K26270059		1-	A	G4
C 7615	CERAMIC CAP.	330pF	500V	SL	RT-HM11SKSL331J	K26270063		1-	A	H2
C 7616	CERAMIC CAP.	82pF	500V	CH	RT-HM95SKCH820J	K26270162		1-	A	H2
C 7617	CERAMIC CAP.	220pF	500V	SL	RT-HM95SKSL221J	K26270061		1-	A	F4
C 7618	CERAMIC CAP.	68pF	500V	CH	RT-HM95SKCH680J	K26270161		1-	A	F3
C 7619	CERAMIC CAP.	100pF	500V	SL	RT-HM60SKSL101J	K26270057		1-	A	F3
C 7620	CERAMIC CAP.	47pF	500V	CH	RT-HM74SKCH470J	K26270159		1-	A	F3
C 7621	CERAMIC CAP.	47pF	500V	CH	RT-HM74SKCH470J	K26270159		1-	A	F5
C 7622	CERAMIC CAP.	18pF	500V	CH	RT-HM60SKCH180J	K26270154		1-	A	G3
C 7623	CERAMIC CAP.	22pF	500V	CH	RT-HM60SKCH220J	K26270155		1-	A	G3
C 7624	CERAMIC CAP.	3pF	500V	CJ	RT-HM60SKCJ030C	K26270144		1-	A	G1
C 7625	CHIP CAP.	0.001uF	25V	CH	GRM1882C1E102JA01D	K22144204		1-	A	B5
C 7626	AL.ELECTRO.CAP.	82uF	16V		PXA16VC82MH70	K48120022		1-	A	B5
C 7627	CERAMIC CAP.	0.001uF	500V	SL	HM17SJSLS102J	K00279028		1-	A	F4
C 7628	CERAMIC CAP.	330pF	500V	SL	RT-HM11SKSL331J	K26270063		1-	A	G4
C 7629	CERAMIC CAP.	120pF	500V	SL	RT-HM74SKSL121J	K26270058		1-	A	G5
C 7630	CERAMIC CAP.	120pF	500V	SL	RT-HM74SKSL121J	K26270058		1-	A	G2
C 7631	CERAMIC CAP.	39pF	500V	CH	RT-HM74SKCH390J	K26270158		1-	A	H1
C 7632	CHIP CAP.	0.001uF	25V	CH	GRM1882C1E102JA01D	K22144204		1-	A	D4
C 7633	CHIP CAP.	0.1uF	16V	B	GRM188B11C104KA01D	K22124805		1-	A	D3
C 7634	CERAMIC CAP.	470pF	500V	SL	HM13SJSLS471J	K00279024		1-	A	H2
C 7635	CERAMIC CAP.	150pF	500V	SL	RT-HM74SKSL151J	K26270059		1-	A	G3
C 7636	CERAMIC CAP.	39pF	500V	CH	RT-HM74SKCH390J	K26270158		1-	A	G2
C 7637	CERAMIC CAP.	0.001uF	500V	SL	HM17SJSLS102J	K00279028		1-	A	F4
C 7638	CERAMIC CAP.	390pF	500V	SL	RT-HM11SKSL391J	K26270064		1-	A	H2
C 7639	CERAMIC CAP.	270pF	500V	SL	RT-HM95SKSL271J	K26270062		1-	A	G4
C 7640	CERAMIC CAP.	150pF	500V	SL	RT-HM74SKSL151J	K26270059		1-	A	G3
C 7641	CERAMIC CAP.	120pF	500V	SL	RT-HM74SKSL121J	K26270058		1-	A	G5
C 7642	CERAMIC CAP.	39pF	500V	CH	RT-HM74SKCH390J	K26270158		1-	A	H1
C 7643	CHIP CAP.	0.01uF	50V	B	GRM188B11H103KA01D	K22174823		1-3		
C 7644	CERAMIC CAP.	150pF	500V	SL	RT-HM74SKSL151J	K26270059		1-	A	G4
C 7645	CERAMIC CAP.	100pF	500V	SL	RT-HM60SKSL101J	K26270057		1-	A	G4
C 7646	CERAMIC CAP.	150pF	500V	SL	RT-HM74SKSL151J	K26270059		1-	A	H2
C 7647	CERAMIC CAP.	47pF	500V	CH	RT-HM74SKCH470J	K26270159		1-	A	H1
C 7648	CERAMIC CAP.	82pF	500V	CH	RT-HM95SKCH820J	K26270162		1-	A	G3
C 7649	CERAMIC CAP.	56pF	500V	CH	RT-HM95SKCH560J	K26270160		1-	A	H4
C 7650	CERAMIC CAP.	68pF	500V	CH	RT-HM95SKCH680J	K26270161		1-	A	H3

# PA-B Unit (D, Contest Type)

## Parts List

REF	DESCRIPTION	VALUE	V/W	TOL.	MFR'S DESIG	VXSTD P/N	VERS.	LOT	SIDE	LAY ADR
C 7651	CERAMIC CAP.	27pF	500V	CH	RT-HM60SKCH270J	K26270156		1-	A	G5
C 7652	CERAMIC CAP.	22pF	500V	CH	RT-HM60SKCH220J	K26270155		1-	A	H2
C 7653	CERAMIC CAP.	6pF	500V	CH	RT-HM60SKCH060D	K26270147		1-	A	H1
C 7654	CHIP CAP.	0.1uF	16V	B	GRM188B11C104KA01D	K22124805		1-	A	D4
C 7655	CERAMIC CAP.	0.001uF	500V	SL	HM17SJSLS102J	K00279028		1-	A	G4
C 7656	CERAMIC CAP.	0.001uF	500V	SL	HM17SJSLS102J	K00279028		1-	A	H2
C 7657	CERAMIC CAP.	680pF	500V	SL	HM15SJSLS681J	K00279026		1-	A	H4
C 7658	CERAMIC CAP.	82pF	500V	CH	RT-HM95SKCH820J	K26270162		1-	A	H3
C 7659	CERAMIC CAP.	82pF	500V	CH	RT-HM95SKCH820J	K26270162		1-	A	H5
C 7660	CERAMIC CAP.	120pF	500V	SL	RT-HM74SKSL121J	K26270058		1-	A	I2
C 7661	CERAMIC CAP.	39pF	500V	CH	RT-HM74SKCH390J	K26270158		1-	A	H1
C 7662	CHIP CAP.	0.01uF	50V	B	GRM188B11H103KA01D	K22174823		1-	A	C5
C 7663	CHIP CAP.	0.01uF	50V	B	GRM188B11H103KA01D	K22174823		1-3		
C 7664	CERAMIC CAP.	820pF	500V	SL	HM17SJSLS821J	K00279027		1-	A	H4
C 7665	CERAMIC CAP.	270pF	500V	SL	RT-HM95SKSL271J	K26270062		1-	A	H3
C 7666	CERAMIC CAP.	180pF	500V	SL	RT-HM95SKSL181J	K26270060		1-	A	H5
C 7667	CERAMIC CAP.	56pF	500V	CH	RT-HM95SKCH560J	K26270160		1-	A	H2
C 7668	CERAMIC CAP.	39pF	500V	CH	RT-HM74SKCH390J	K26270158		1-	A	H1
C 7669	CHIP CAP.	0.01uF	50V	B	GRM188B11H103KA01D	K22174823		1-	A	C5
C 7670	CERAMIC CAP.	820pF	500V	SL	HM17SJSLS821J	K00279027		1-	A	H4
C 7671	CERAMIC CAP.	22pF	500V	CH	RT-HM60SKCH220J	K26270155		1-	A	H4
C 7672	CERAMIC CAP.	22pF	500V	CH	RT-HM60SKCH220J	K26270155		1-	A	I4
C 7673	CERAMIC CAP.	9pF	500V	CH	RT-HM60SKCH090D	K26270150		1-	A	H5
C 7674	CERAMIC CAP.	7pF	500V	CH	RT-HM60SKCH070D	K26270148		1-	A	I3
C 7675	CERAMIC CAP.	18pF	500V	CH	RT-HM60SKCH180J	K26270154		1-	A	I1
C 7676	CERAMIC CAP.	82pF	500V	CH	RT-HM95SKCH820J	K26270162		1-	A	H5
C 7677	CERAMIC CAP.	68pF	500V	CH	RT-HM95SKCH680J	K26270161		1-	A	I2
C 7678	CERAMIC CAP.	47pF	500V	CH	RT-HM74SKCH470J	K26270159		1-	A	H4
C 7679	CHIP CAP.	0.01uF	50V	B	GRM188B11H103KA01D	K22174823		1-	A	A4
C 7680	CERAMIC CAP.	100pF	500V	SL	RT-HM60SKSL101J	K26270057		1-	A	H3
C 7681	CERAMIC CAP.	100pF	500V	SL	RT-HM60SKSL101J	K26270057		1-	A	I5
C 7682	CERAMIC CAP.	39pF	500V	CH	RT-HM74SKCH390J	K26270158		1-	A	I1
C 7683	CERAMIC CAP.	0.001uF	500V	SL	HM17SJSLS102J	K00279028		1-	A	I4
C 7684	CERAMIC CAP.	470pF	500V	SL	HM13SJSLS471J	K00279024		1-	A	I2
C 7685	CERAMIC CAP.	220pF	500V	SL	RT-HM95SKSL221J	K26270061		1-	A	I4
C 7686	CHIP CAP.	0.001uF	25V	CH	GRM1882C1E102JA01D	K22144204		1-3		
C 7687	CERAMIC CAP.	180pF	500V	SL	RT-HM95SKSL181J	K26270060		1-	A	I4
C 7688	CERAMIC CAP.	100pF	500V	SL	RT-HM60SKSL101J	K26270057		1-	A	I3
C 7689	CERAMIC CAP.	47pF	500V	CH	RT-HM74SKCH470J	K26270159		1-	A	I5
C 7690	CERAMIC CAP.	100pF	500V	SL	RT-HM60SKSL101J	K26270057		1-	A	I3
C 7691	CERAMIC CAP.	100pF	500V	SL	RT-HM60SKSL101J	K26270057		1-	A	I2
C 7692	CHIP CAP.	0.01uF	50V	B	GRM188B11H103KA01D	K22174823		1-3		
C 7693	AL.ELECTRO.CAP.	82uF	16V		PXA16VC82MH70	K48120022		1-	A	B5
C 7694	CERAMIC CAP.	470pF	500V	SL	HM13SJSLS471J	K00279024		1-	A	I4
C 7695	CHIP CAP.	0.047uF	25V	F	GRM39F473Z25PT	K22145002		1-	A	J4
C 7696	CHIP CAP.	0.047uF	25V	F	GRM39F473Z25PT	K22145002		1-	A	J3
C 7697	CHIP CAP.	0.047uF	25V	F	GRM39F473Z25PT	K22145002		1-	A	J4
C 7698	CHIP CAP.	0.047uF	25V	F	GRM39F473Z25PT	K22145002		1-	A	J3
C 7699	CHIP CAP.	0.047uF	25V	F	GRM39F473Z25PT	K22145002		1-	A	J5
C 7700	CHIP CAP.	0.047uF	25V	F	GRM39F473Z25PT	K22145002		1-	A	J3
C 7701	CHIP CAP.	0.047uF	25V	F	GRM39F473Z25PT	K22145002		1-	A	I2
C 7710	CHIP CAP.	0.01uF	50V	B	GRM188B11H103KA01D	K22174823		1-	A	C5
C 7711	CHIP CAP.	0.01uF	50V	B	GRM188B11H103KA01D	K22174823		1-	A	B5
C 7712	CHIP CAP.	0.01uF	50V	B	GRM188B11H103KA01D	K22174823		1-	A	A5
C 7713	CHIP CAP.	0.01uF	50V	B	GRM188B11H103KA01D	K22174823		1-	A	A5
C 7714	CHIP CAP.	0.1uF	16V	B	GRM188B11C104KA01D	K22124805		1-	A	A2
C 7715	CHIP CAP.	0.1uF	16V	B	GRM188B11C104KA01D	K22124805		1-	A	A4
C 7716	CHIP CAP.	0.1uF	16V	B	GRM188B11C104KA01D	K22124805		1-	A	A2
C 7717	CHIP CAP.	0.1uF	16V	B	GRM188B11C104KA01D	K22124805		1-	A	A2
C 7718	CHIP CAP.	0.1uF	16V	B	GRM188B11C104KA01D	K22124805		1-	A	B4
C 7719	CHIP CAP.	0.1uF	16V	B	GRM188B11C104KA01D	K22124805		1-	A	A2
C 7720	CHIP CAP.	0.1uF	16V	B	GRM188B11C104KA01D	K22124805		1-	A	A3
C 7721	CHIP CAP.	0.1uF	16V	B	GRM188B11C104KA01D	K22124805		1-	A	A3
C 7722	CHIP CAP.	0.1uF	16V	B	GRM188B11C104KA01D	K22124805		1-	A	A3
C 7723	CHIP CAP.	0.1uF	16V	B	GRM188B11C104KA01D	K22124805		1-	A	A3
C 7724	CHIP CAP.	0.1uF	16V	B	GRM188B11C104KA01D	K22124805		1-	A	A3
C 7725	CHIP CAP.	0.1uF	16V	B	GRM188B11C104KA01D	K22124805		1-	A	A3
C 7726	CERAMIC CAP.	390pF	500V	SL	RT-HM11SKSL391J	K26270064		1-	A	G4
C 7727	CHIP CAP.	0.01uF	50V	B	GRM188B11H103KA01D	K22174823		1-	A	B4
C 7728	CHIP CAP.	0.001uF	25V	CH	GRM1882C1E102JA01D	K22144204		1-	A	B4
C 7729	CHIP CAP.	0.001uF	25V	CH	GRM1882C1E102JA01D	K22144204		1-	A	B4
C 7730	AL.ELECTRO.CAP.	82uF	16V		PXA16VC82MH70	K48120022		1-	A	B4
C 7731	AL.ELECTRO.CAP.	1uF	50V		ECEV1HS010SR	K48170001		1-3		

# PA-B Unit (D, Contest Type)

## Parts List

REF	DESCRIPTION	VALUE	V/W	TOL.	MFR'S DESIG	VXSTD P/N	VERS.	LOT	SIDE	LAY ADR
C 7732	CHIP CAP.	0.047uF	100V		GRM31MR72A473KA01L	K22201801		2-	A	B2
C 7733	CHIP CAP.	0.01uF	50V	B	GRM188B11H103KA01D	K22174823		4-	A	D1
C 7734	CHIP CAP.	0.01uF	50V	B	GRM188B11H103KA01D	K22174823		4-	A	D3
C 7745	CHIP CAP.	0.01uF	50V	B	GRM188B11H103KA01D	K22174823		4-	A	C4
C 7746	CERAMIC CAP.	0.01uF	16V	Y	EP050Y103N-A	K28129001		3		
C 7747	CERAMIC CAP.	0.01uF	16V	Y	EP050Y103N-A	K28129001		3		
D 7501	DIODE				GMA01U-BT	G2060023		1-	A	D3
D 7502	DIODE				GMA01U-BT	G2060023		1-	A	D3
D 7503	DIODE				HZM22N B1(TAPE)	G2071052		1-	A	B3
D 7504	DIODE				GMA01U-BT	G2060023		1-	A	B3
D 7505	DIODE				BAS316	G2070716		1-	A	B4
D 7506	DIODE				10EDB10	G2090781		3-	A	D1
D 7507	DIODE				10EDB10	G2090781		3-	A	D3
F 7501	FUSE	15A			FGBO 250V 15A	Q0000121		1-		
FB7501	CHIP COI				BLM18BD182SN1D	L1690602		4-	A	C4
FB7502	CHIP COI				BLM18BD182SN1D	L1690602		4-	A	C4
FH7501	FUSE CLIP				PFC6000-0202	P2000050		1-	A	D3
J 7501	CONNECTOR				TMP-J01X-A2	P1090255		1-	A	A2
J 7501	CONNECTOR				TMP-S01X-C1	P1091254		5-	A	A2
J 7502	CONNECTOR				SC25-03WS	P0090622		1	A	A3
J 7502	CONNECTOR				B03B-XH-A	P0091413		2-	A	A3
J 7503	CONNECTOR				IMSA-9202B-1-02-T	P0091174		1-	A	A2
J 7504	CONNECTOR				30FLT-SM1-TB	P1091142		1-	A	A4
J 7505	CONNECTOR				IMSA-9202B-1-02-T	P0091174		1-	A	C3
J 7506	TERMINAL				Y106	S5000179		1-	A	C4
J 7507	TERMINAL				Y106	S5000179		1-	A	B3
J 7508	CONNECTOR				SB20-02WS	P0090609		1-	A	C4
J 7509	CONNECTOR				B4P-VH	P0091060		1-	A	A5
J 7510	CONNECTOR				SC25-07WS	P0090626		1-	A	B5
J 7511	CONNECTOR				SC25-02WS	P0090621		1-	A	B5
J 7512	CONNECTOR				SC25-02WS	P0090621		1-	A	C5
J 7513	CONNECTOR				SC25-02WS	P0090621		1-	A	C5
J 7514	CONNECTOR				SC25-02WS	P0090621		1-	A	C5
J 7515	CONNECTOR				B2P-VH	P0091266		1-	A	A4
J 7516	CONNECTOR				SB20-10WS	P0090617		1-3		
J 7517	CONNECTOR				S-Q3063#01	P1090295		1-	A	I1
J 7518	CONNECTOR				SB20-06WS	P0090613		1-	A	A4
J 7519	CONNECTOR				SB20-05WS	P0090612		1-	A	B4
JP7500	WIRE ASSY				GRN 100 (3)/(3)	T51510012		4-		
JP7501	WIRE ASSY				GRN 100 (3)/(3)	T51510012		4-		
JP7502	WIRE ASSY				GRN 20 2/2	T50502000		3		
JP7503	WIRE ASSY				GRN 65 2/2	T50506500		3		
L 7501	M.RFC	1uH			LAL03TA1R0M	L1790083		1-	A	A2
L 7502	RFC A1				43T0.16 4X9CB-20	L1020666A		1-	A	A2
L 7503	RFC WITH BEADS				FB-43-5111	L1020015		1-	A	B2
L 7504	RFC WITH BEADS				FB-43-5111	L1020015		1-3	A	C3
L 7505	RFC WITH BEADS				3A RI5.8X6.4-2	L1020728		1-	A	E3
L 7506	RFC A1				43T0.16 4X9CB-20	L1020666A		1-	A	A5
L 7507	RFC WITH BEADS				3A RI5.8X6.4-2	L1020728		1-	A	E3
L 7508	TOROIDAL COIL	3.91uH			#223201	L0022898		1-	A	F5
L 7509	TOROIDAL COIL	1.21uH			1.21U T80-2	L0022897A		1-	A	G2
L 7510	TOROIDAL COIL	0.85uH			#223195	L0022892		1-	A	F4
L 7511	TOROIDAL COIL	0.42uH			#223191	L0022888		1-	A	F3
L 7512	TOROIDAL COIL	0.39uH			#223190	L0022887		1-	A	F5
L 7513	TOROIDAL COIL	0.25uH			0.25U T80-6	L0022884A		1-	A	G3
L 7514	COIL A1				3.5T13.0D2.0UEW R	L0022725		1-	A	G1
L 7515	TOROIDAL COIL	5.16uH			#223203	L0022900		1-	A	G4
L 7516	TOROIDAL COIL	1.88uH			1.88U T80-2	L0022896A		1-	A	H2
L 7517	TOROIDAL COIL	1.31uH			#223196	L0022893		1-	A	G4
L 7518	TOROIDAL COIL	0.66uH			0.66U T-80-2	L0021984		1-	A	G3
L 7519	TOROIDAL COIL	0.52uH			#223193	L0022890		1-	A	G5
L 7520	TOROIDAL COIL	0.34uH			0.34U T80-6	L0022886A		1-	A	G3
L 7521	COIL A1				3.5T13.0D2.0UEW R	L0022725		1-	A	H1
L 7522	TOROIDAL COIL	0.7uH			#223194	L0022891		1-	A	H3
L 7523	TOROIDAL COIL	0.5uH			#223192	L0022889		1-	A	H5
L 7524	TOROIDAL COIL	0.34uH			0.34U T80-6	L0022886A		1-	A	H3
L 7525	COIL A1				2.5T14.0D2.0UEW R	L0022724		1-	A	I1
L 7526	TOROIDAL COIL	5.04uH			#223202	L0022899		1-	A	H4
L 7527	TOROIDAL COIL	1.99uH			1.99U T80-2	L0022895A		1-	A	I2
L 7528	TOROIDAL COIL	1.39uH			#223197	L0022894		1-	A	H4
L 7529	M.RFC	1uH			LAL03TA1R0M	L1790083		1-	A	A4
P 7501	CONNECTOR				IMSA-9206H-T	P1090988		1-		
P 7502	CONNECTOR				IMSA-9206H-T	P1090988		1-		



# PA-B Unit (D, Contest Type)

## Parts List

REF	DESCRIPTION	VALUE	V/W	TOL.	MFR'S DESIG	VXSTD P/N	VERS.	LOT	SIDE	LAY ADR
Q 7501	IC				M5223AFP 600C	G1092955		1-	A	B3
Q 7502	IC				M5223AFP 600C	G1092955		1-	A	A2
Q 7503	IC				M5223AFP 600C	G1092955		1-	A	A3
Q 7507	IC				BU2507FV-E2	G1093773		1-	A	A3
Q 7508	FET				RD06HHF1-01	G3090145		1-	A	A1
Q 7509	IC				BU4094BCFV-E2	G1093527		1-	A	D5
Q 7511	IC				M5223AFP 600C	G1092955		1-	A	C4
Q 7513	IC				TD62783AFN(EL)	G1092700		1-	A	D5
Q 7514	FET				SD2918	G3090147		1-	A	B1
Q 7515	FET				SD2931-10	G3090146		1-	A	D1
Q 7516	FET				SD2931-10	G3090146		1-	A	D2
Q 7517	IC				M5218AFP-600C	G1091607		1-	A	D4
Q 7518	TRANSISTOR				2SD2403GY-T1	G3424038Y		1-	A	B3
Q 7519	IC				PQ09TZ1U	G1092599		1-	A	B3
Q 7521	TRANSISTOR				DTC144EE TL	G3070075		1-	A	B4
Q 7522	FET				2SJ506S(TAPE)	G4070014		1-	A	B5
Q 7522	FET				2SJ387STL	G3703878		4-	A	B5
Q 7524	IC				LM19CIZ	G1094150		1-	A	D3
Q 7525	IC				BU4094BCFV-E2	G1093527		1-3		
Q 7526	IC				CD4051BPWR	G1094136		1-3		
Q 7527	TRANSISTOR				DTD123YK T146	G3070157		1-	A	A3
Q 7528	TRANSISTOR				DTD123YK T146	G3070157		1-	A	A3
Q 7529	TRANSISTOR				DTD123YK T146	G3070157		1-	A	A4
Q 7530	TRANSISTOR				DTD123YK T146	G3070157		1-	A	B4
Q 7531	TRANSISTOR				DTA144EE TL	G3070074		1-	A	B4
Q 7532	TRANSISTOR				DTC144EE TL	G3070075		1-	A	B4
Q 7533	FET				2SJ506S(TAPE)	G4070014		1-	A	B4
Q 7534	IC				PST5971NR	G1093857		1-	A	B4
R 7505	CHIP RES.	0	1/16W	5%	RMC1/16 000JATP	J24185000		1-	A	A3
R 7506	CHIP RES.	10	1/16W	5%	RMC1/16 100JATP	J24185100		1-	A	A3
R 7510	CHIP RES.	270	1/16W	5%	RMC1/16 271JATP	J24185271		1-	A	A2
R 7511	CHIP RES.	3.9k	1/16W	5%	RMC1/16 392JATP	J24185392		1-	A	B3
R 7512	CHIP RES.	100k	1/16W	5%	RMC1/16 104JATP	J24185104		1-	A	B3
R 7513	CHIP RES.	18	1/16W	5%	RMC1/16 180JATP	J24185180		1-	A	A2
R 7514	CHIP RES.	100k	1/16W	5%	RMC1/16 104JATP	J24185104		1-	A	B3
R 7515	CHIP RES.	220	1/16W	5%	RMC1/16 221JATP	J24185221		1-	A	A3
R 7516	CHIP RES.	220	1/16W	5%	RMC1/16 221JATP	J24185221		1-	A	A3
R 7517	CHIP RES.	220	1/16W	5%	RMC1/16 221JATP	J24185221		1-	A	A3
R 7518	CHIP RES.	10k	1/16W	5%	RMC1/16 103JATP	J24185103		1-	A	B3
R 7519	CHIP RES.	100k	1/16W	5%	RMC1/16 104JATP	J24185104		1-	A	A3
R 7523	CHIP RES.	270	1/16W	5%	RMC1/16 271JATP	J24185271		1-	A	A2
R 7524	CHIP RES.	100k	1/16W	5%	RMC1/16 104JATP	J24185104		1-	A	A3
R 7527	CHIP RES.	10k	1/16W	5%	RMC1/16 103JATP	J24185103		1-	A	A3
R 7528	CHIP RES.	100	1/4W	5%	RMC1/4 101JATP	J24245101		1-	A	A2
R 7529	CHIP RES.	1k	1/16W	5%	RMC1/16 102JATP	J24185102		1-	A	A2
R 7530	CHIP RES.	2.2k	1/10W	5%	RMC1/10T 222J	J24205222		1-	A	A2
R 7531	CHIP RES.	100	1/16W	5%	RMC1/16 101JATP	J24185101		1-	A	D5
R 7532	CHIP RES.	330	1/4W	5%	RMC1/4 331JATP	J24245331		1-	A	A2
R 7534	CHIP RES.	220	1/16W	5%	RMC1/16 221JATP	J24185221		1-	A	D5
R 7535	CHIP RES.	220	1/16W	5%	RMC1/16 221JATP	J24185221		1-	A	D5
R 7536	CHIP RES.	220	1/16W	5%	RMC1/16 221JATP	J24185221		1-	A	D5
R 7537	CHIP RES.	0	1/16W	5%	RMC1/16 000JATP	J24185000		1-	A	C4
R 7538	CHIP RES.	0	1/16W	5%	RMC1/16 000JATP	J24185000		1-	A	C4
R 7541	CHIP RES.	100k	1/16W	5%	RMC1/16 104JATP	J24185104		1-	A	C4
R 7542	CHIP RES.	100k	1/16W	5%	RMC1/16 104JATP	J24185104		1-	A	C4
R 7543	CHIP RES.	470	1/4W	5%	RMC1/4 471JATP	J24245471		1-	A	A2
R 7544	CHIP RES.	2.7k	1/16W	5%	RMC1/16 272JATP	J24185272		1-2	A	C4
R 7545	CHIP RES.	2.7k	1/16W	5%	RMC1/16 272JATP	J24185272		1-2	A	C4
R 7546	CHIP RES.	100k	1/16W	5%	RMC1/16 104JATP	J24185104		1-	A	C4
R 7547	CHIP RES.	100k	1/16W	5%	RMC1/16 104JATP	J24185104		1-	A	C4
R 7548	CHIP RES.	100k	1/16W	5%	RMC1/16 104JATP	J24185104		1-	A	C4
R 7549	CHIP RES.	100k	1/16W	5%	RMC1/16 104JATP	J24185104		1-	A	C4
R 7550	CHIP RES.	10k	1/16W	5%	RMC1/16 103JATP	J24185103		1-	A	C4
R 7551	CHIP RES.	10k	1/16W	5%	RMC1/16 103JATP	J24185103		1-	A	C4
R 7552	CHIP RES.	3.3k	1/10W	5%	RMC1/10T 332J	J24205332		1-	A	B2
R 7553	CHIP RES.	100k	1/16W	5%	RMC1/16 104JATP	J24185104		1-	A	C4
R 7554	CHIP RES.	100k	1/16W	5%	RMC1/16 104JATP	J24185104		1-	A	C4
R 7555	CHIP RES.	470	1W	5%	RMC1 471JTE	J24305471		1-	A	B1
R 7556	CHIP RES.	1k	1/16W	5%	RMC1/16 102JATP	J24185102		1-	A	B2
R 7557	CHIP RES.	10k	1/16W	5%	RMC1/16 103JATP	J24185103		1-	A	C4
R 7558	CHIP RES.	10k	1/16W	5%	RMC1/16 103JATP	J24185103		1-	A	C4
R 7559	CHIP RES.	0	1/16W	5%	RMC1/16 000JATP	J24185000		1-	A	A3
R 7560	CHIP RES.	4.7k	1/10W	5%	RMC1/10T 472J	J24205472		1-	A	C4

# PA-B Unit (D, Contest Type)

## Parts List

REF	DESCRIPTION	VALUE	V/W	TOL.	MFR'S DESIG	VXSTD P/N	VERS.	LOT	SIDE	LAY ADR
R 7561	CHIP RES.	10k	1/16W	5%	RMC1/16 103JATP	J24185103		1-	A	D1
R 7562	METAL FILM RES.	3.3	2W	5%	ERX-2SJ3R3P 3.3	J22339003		1-	A	C1
R 7563	METAL FILM RES.	3.3	2W	5%	ERX-2SJ3R3P 3.3	J22339003		1-	A	C2
R 7564	CHIP RES.	10k	1/16W	5%	RMC1/16 103JATP	J24185103		1-	A	D3
R 7565	CHIP RES.	1k	1/16W	5%	RMC1/16 102JATP	J24185102		1-	A	B4
R 7566	CHIP RES.	22k	1/16W	5%	RMC1/16 223JATP	J24185223		1-	A	C3
R 7567	CHIP RES.	0	1/16W	5%	RMC1/16 000JATP	J24185000		1-	A	B4
R 7568	CHIP RES.	22k	1/16W	5%	RMC1/16 223JATP	J24185223		1-	A	C1
R 7569	CHIP RES.	4.7k	1/10W	5%	RMC1/10T 472J	J24205472		1-	A	C3
R 7570	METAL FILM RES.	120	2W	5%	ERG-2SJ121P 120	J22339015		1-	A	C1
R 7571	METAL FILM RES.	120	2W	5%	ERG-2SJ121P 120	J22339015		1-	A	C2
R 7573	METAL FILM RES.	22	2W	5%	ERG-2SJ220P 22	J22339014		1-	A	C1
R 7574	METAL FILM RES.	22	2W	5%	ERG-2SJ220P 22	J22339014		1-	A	C3
R 7575	CHIP RES.	2.2k	1/2W	5%	RMC1/2 222JCTP	J24275222		1-	A	B3
R 7576	CHIP RES.	220	1/2W	5%	RK73K2HTE220-OHMJ	J24279021		1-	A	B3
R 7576	CHIP RES.	680	1/2W	5%	RK73K2HTE680-OHMJ	J24279027		3	A	B3
R 7577	CHIP RES.	220	1/2W	5%	RK73K2HTE220-OHMJ	J24279021		1-	A	B3
R 7577	CHIP RES.	680	1/2W	5%	RK73K2HTE680-OHMJ	J24279027		3	A	B3
R 7578	CHIP RES.	1k	1/16W	0.5%	RR0510P-102-D	J24189119		1-	A	B4
R 7579	CHIP RES.	18k	1/16W	0.5%	RR0510R-183-D	J24189149		1-	A	B4
R 7580	CEMENT RES.	0.05	5W	10%	ERF-5AKR05	J30379001		1-	A	C3
R 7581	CHIP RES.	10	1/16W	5%	RMC1/16 100JATP	J24185100		1-	A	C4
R 7582	CHIP RES.	22k	1/16W	0.1%	RN731JTDD2202B25	J24189410		1-	A	D3
R 7583	CHIP RES.	22k	1/16W	0.1%	RN731JTDD2202B25	J24189410		1-	A	D3
R 7584	CHIP RES.	2.7k	1/16W	0.1%	RN731JTDD2701B25	J24189408		1-	A	D3
R 7585	CHIP RES.	2.7k	1/16W	0.1%	RN731JTDD2701B25	J24189408		1-	A	D3
R 7586	CHIP RES.	5.6k	1/16W	0.1%	RN731JTDD5601B25	J24189409		1-	A	D4
R 7587	CHIP RES.	5.6k	1/16W	0.1%	RN731JTDD5601B25	J24189409		1-	A	D4
R 7588	CHIP RES.	220k	1/16W	1%	RMC1/16 224FTP	J24183224		1-	A	D4
R 7589	CHIP RES.	220k	1/16W	1%	RMC1/16 224FTP	J24183224		1-	A	D4
R 7590	CHIP RES.	4.7k	1/16W	5%	RMC1/16 472JATP	J24185472		1-	A	B4
R 7591	CHIP RES.	0	1/16W	5%	RMC1/16 000JATP	J24185000		1-	A	D4
R 7592	CHIP RES.	470	1/16W	5%	RMC1/16 471JATP	J24185471		1-	A	D4
R 7593	CHIP RES.	3.9k	1/16W	5%	RMC1/16 392JATP	J24185392		1-3		
R 7594	CHIP RES.	2.2k	1/16W	5%	RMC1/16 222JATP	J24185222		1-3		
R 7596	CHIP RES.	10k	1/16W	5%	RMC1/16 103JATP	J24185103		1-	A	A2
R 7597	CHIP RES.	10k	1/16W	5%	RMC1/16 103JATP	J24185103		1-	A	A2
R 7598	CHIP RES.	10k	1/16W	5%	RMC1/16 103JATP	J24185103		1-	A	A2
R 7599	CHIP RES.	1.2k	1/16W	5%	RMC1/16 122JATP	J24185122		1-	A	A2
R 7600	CHIP RES.	10k	1/16W	5%	RMC1/16 103JATP	J24185103		1-	A	A2
R 7601	CHIP RES.	10k	1/16W	5%	RMC1/16 103JATP	J24185103		1-	A	A2
R 7602	CHIP RES.	10k	1/16W	5%	RMC1/16 103JATP	J24185103		1-	A	A3
R 7603	CHIP RES.	2.7k	1/16W	5%	RMC1/16 272JATP	J24185272		1-	A	A3
R 7604	CHIP RES.	10k	1/16W	5%	RMC1/16 103JATP	J24185103		1-	A	A3
R 7605	CHIP RES.	10k	1/16W	5%	RMC1/16 103JATP	J24185103		1-	A	A3
R 7606	CHIP RES.	10k	1/16W	5%	RMC1/16 103JATP	J24185103		1-	A	A3
R 7607	CHIP RES.	4.7k	1/16W	5%	RMC1/16 472JATP	J24185472		1-	A	A3
R 7608	CHIP RES.	10k	1/16W	5%	RMC1/16 103JATP	J24185103		1-	A	A3
R 7609	CHIP RES.	10k	1/16W	5%	RMC1/16 103JATP	J24185103		1-	A	A3
R 7610	CHIP RES.	10k	1/16W	5%	RMC1/16 103JATP	J24185103		1-	A	A3
R 7611	CHIP RES.	8.2k	1/16W	5%	RMC1/16 822JATP	J24185822		1-	A	A3
R 7612	CHIP RES.	15	1W	5%	RMC1 150JTE	J24305150		1-	A	A3
R 7613	CHIP RES.	15	1W	5%	RMC1 150JTE	J24305150		1-	A	A3
R 7614	CHIP RES.	15	1W	5%	RMC1 150JTE	J24305150		1-	A	A3
R 7615	CHIP RES.	10k	1/16W	5%	RMC1/16 103JATP	J24185103		1-	A	B4
R 7616	CHIP RES.	56k	1/16W	5%	RMC1/16 563JATP	J24185563		1-	A	B4
R 7617	CHIP RES.	4.7k	1/16W	5%	RMC1/16 472JATP	J24185472		1-	A	B4
R 7618	CHIP RES.	470k	1/16W	5%	RMC1/16 474JATP	J24185474		1-	A	A2
R 7619	CHIP RES.	470k	1/16W	5%	RMC1/16 474JATP	J24185474		1-	A	A3
R 7620	CHIP RES.	470k	1/16W	5%	RMC1/16 474JATP	J24185474		1-	A	A3
R 7621	CHIP RES.	470k	1/16W	5%	RMC1/16 474JATP	J24185474		1-	A	A3
R 7622	CHIP RES.	220	1/16W	5%	RMC1/16 221JATP	J24185221		4-	A	C4
R 7623	CHIP RES.	0	1/16W	5%	RMC1/16 000JATP	J24185000		4-	A	C4
R 7624	CHIP RES.	680	1/2W	5%	RK73K2HTE680-OHMJ	J24279027		3		
R 7624	METAL FILM RES.	240	20W	1%	RNP-20S C241F	J22439002		4-		
R 7625	CHIP RES.	680	1/2W	5%	RK73K2HTE680-OHMJ	J24279027		3		
R 7625	METAL FILM RES.	4.7	3W	5%	ERX-3SJ4R7 4.7	J22359046		4-		
R 7627	CARBON FILM RES.	220	1/6W	5%	RD16TPJ221 220	J07225221		3		
RL7501	RELAY		DC12V		AJQ1341 DC12V	M1190172		1-	A	E4
RL7502	RELAY		DC12V		AJQ1341 DC12V	M1190172		1-	A	G2
RL7503	RELAY		DC12V		AJQ1341 DC12V	M1190172		1-	A	E4
RL7504	RELAY		DC12V		AJQ1341 DC12V	M1190172		1-	A	F3
RL7505	RELAY		DC12V		AJQ1341 DC12V	M1190172		1-	A	E5

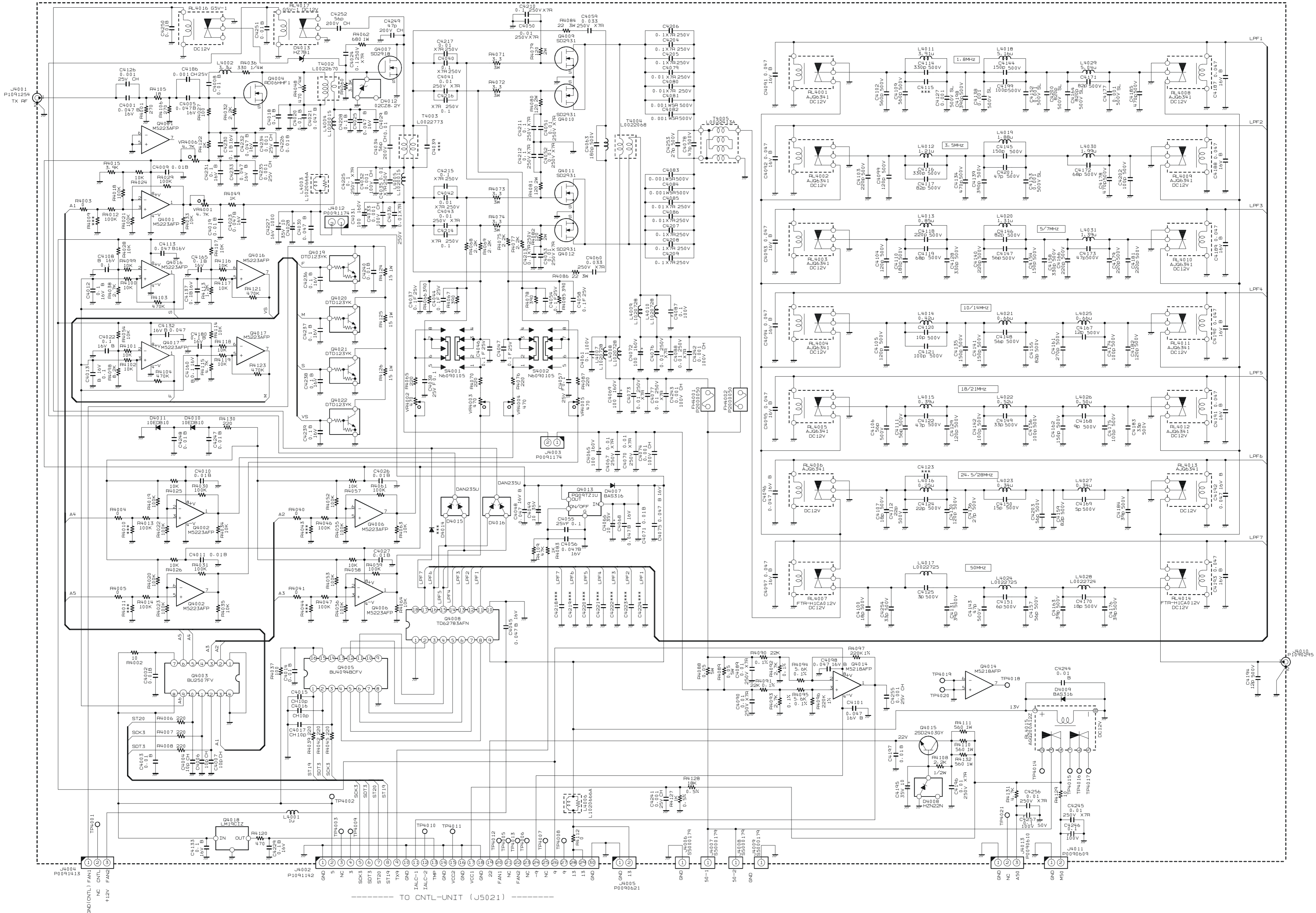
# PA-B Unit (D, Contest Type)

## Parts List

REF	DESCRIPTION	VALUE	V/W	TOL.	MFR'S DESIG	VXSTD P/N	VERS.	LOT	SIDE	LAY ADR
RL7506	RELAY		DC12V		AJQ1341 DC12V	M1190172		1-	A	F2
RL7507	RELAY		DC12V		JS-12-K DC12V	M1190154		1-	A	G2
RL7508	RELAY		DC12V		AJQ1341 DC12V	M1190172		1-	A	J4
RL7509	RELAY		DC12V		AJQ1341 DC12V	M1190172		1-	A	J2
RL7510	RELAY		DC12V		AJQ1341 DC12V	M1190172		1-	A	J4
RL7511	RELAY		DC12V		AJQ1341 DC12V	M1190172		1-	A	J3
RL7512	RELAY		DC12V		AJQ1341 DC12V	M1190172		1-	A	J5
RL7513	RELAY		DC12V		AJQ1341 DC12V	M1190172		1-	A	J3
RL7514	RELAY		DC12V		JS-12-K DC12V	M1190154		1-	A	I1
S 7501	SLIDE SWITCH				SSSS223-01-A	N6090105		1-	A	C4
T 7501	COIL 10WIDE				1-1 3A6 RIB4X7X5	L0022924		1-	A	B2
T 7502	COIL PWR-WIDE				3A5 RIB10X20X10	L0022773		1-	A	C2
T 7503	COIL PWR-WIDE				D12A TR16	L0022068		1-	A	D2
T 7504	COIL PWR-WIDE				D12A RIB21	L0022883		1-	A	E2
TP7516	TERMINAL				TP-G MK1095	Q5000036		4-	A	D1
VR7501	POT.	4.7k			EVN-5ESX50BQ3	J51811472		1-	A	A2
VR7502	POT.	4.7k			EVN-5ESX50BQ3	J51811472		1-	A	B2
VR7503	POT.	10k			EVN-5ESX50B14	J51811103		1-	A	C4
VR7504	POT.	10k			EVN-5ESX50B14	J51811103		1-	A	C4

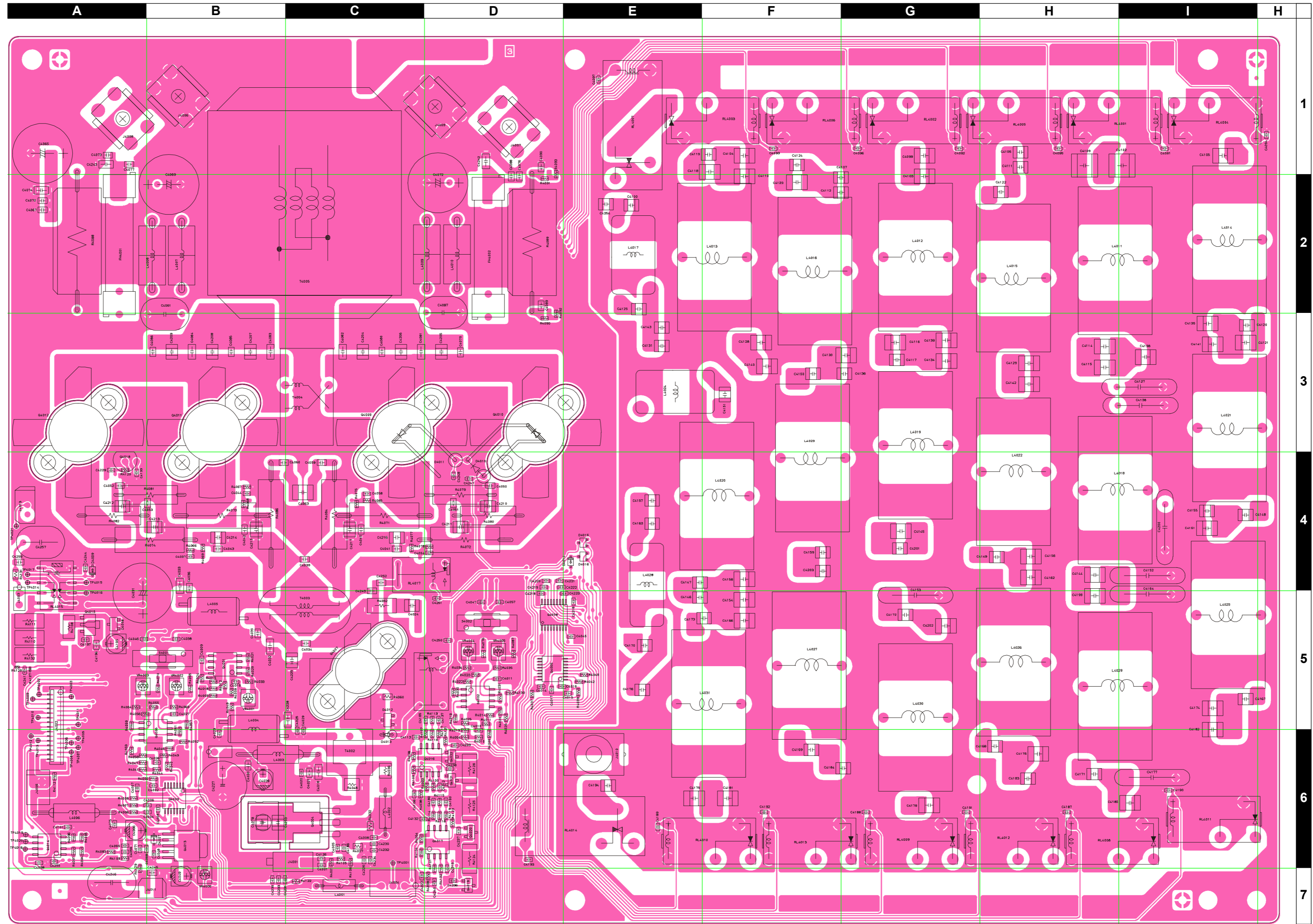
## *PA-B Unit (D, Contest Type)*

*Note*

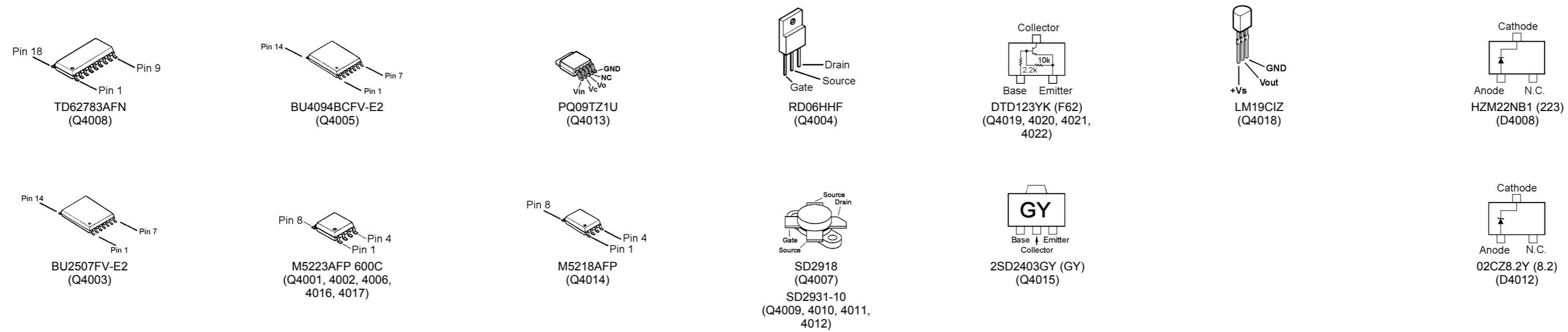


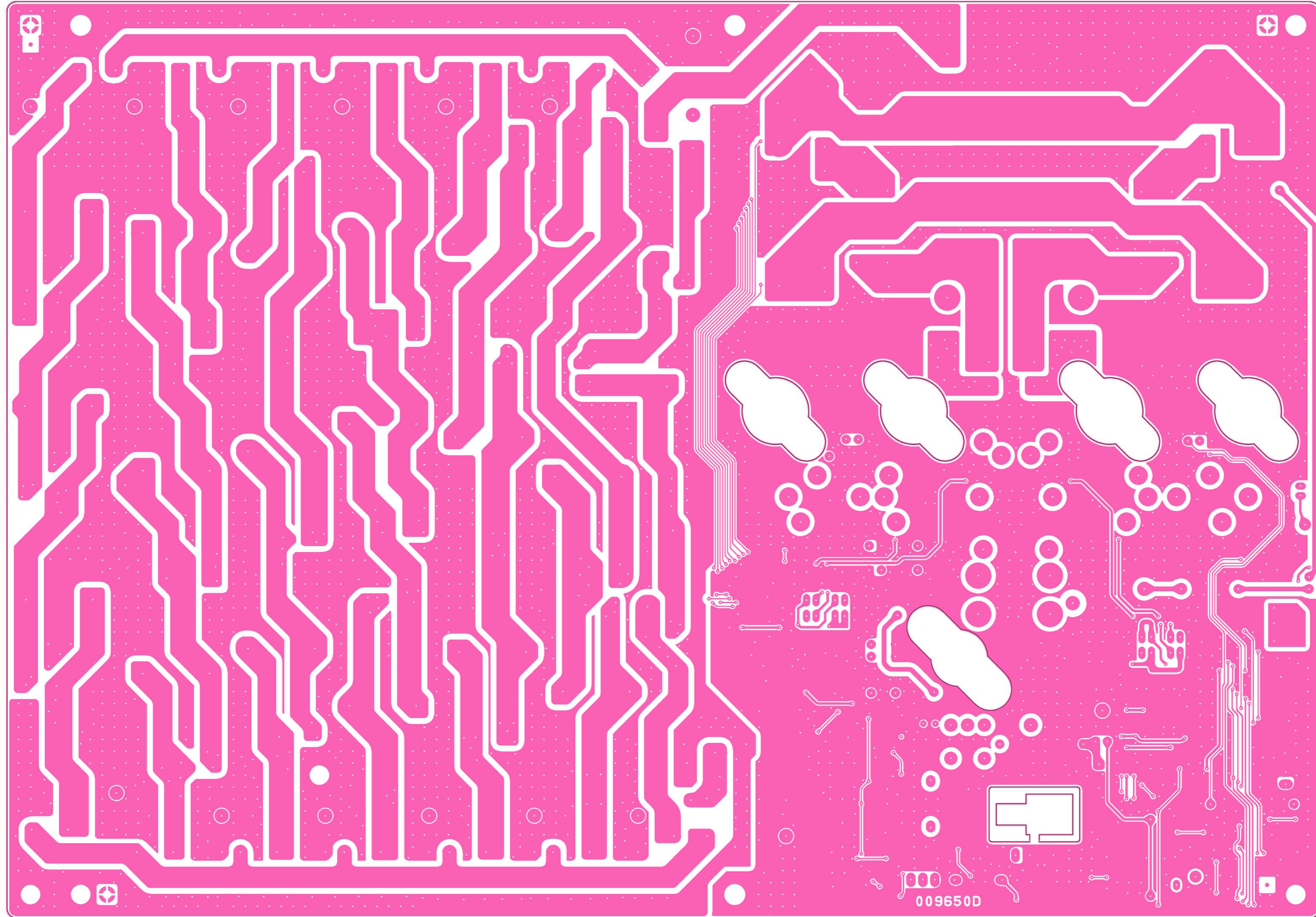
*PA-A Unit (MP Type)*

*Note*



Side A





Side B



# PA-A Unit (MP Type)

## Parts List

REF	DESCRIPTION	VALUE	V/W	TOL.	MFR'S DESIG	VXSTD P/N	VERS.	LOT	SIDE	LAY ADR
PCB with Components						CS1856001				
Printed Circuit Board						FR009650D		4-		
C 4001	CHIP CAP.	0.047uF	16V	B	GRM39B473K16PT	K22124804		1-	A	C6
C 4002	CHIP CAP.	0.01uF	50V	B	GRM188B11H103KA01D	K22174823		1-	A	B6
C 4003	CHIP CAP.	0.01uF	50V	B	GRM188B11H103KA01D	K22174823		1-	A	B6
C 4004	CHIP CAP.	10pF	50V	CH	GRM1882C1H100JA01D	K22174211		1-	A	B6
C 4005	CHIP CAP.	0.047uF	16V	B	GRM39B473K16PT	K22124804		1-	A	C6
C 4006	CHIP CAP.	10pF	50V	CH	GRM1882C1H100JA01D	K22174211		1-	A	B6
C 4007	CHIP CAP.	10pF	50V	CH	GRM1882C1H100JA01D	K22174211		1-	A	A6
C 4008	CHIP CAP.	0.01uF	50V	B	GRM188B11H103JA01D	K22174824		1-	A	C6
C 4009	CHIP CAP.	0.01uF	50V	B	GRM188B11H103KA01D	K22174823		1-	A	B5
C 4010	CHIP CAP.	0.01uF	50V	B	GRM188B11H103KA01D	K22174823		1-	A	D6
C 4011	CHIP CAP.	0.01uF	50V	B	GRM188B11H103KA01D	K22174823		1-	A	D5
C 4012	CHIP CAP.	0.1uF	16V	B	GRM188B11C104KA01D	K22124805		1-	A	D6
C 4013	CHIP CAP.	0.1uF	16V	B	GRM188B11C104KA01D	K22124805		1-	A	D7
C 4014	CHIP CAP.	0.01uF	50V	B	GRM188B11H103KA01D	K22174823		1-	A	D5
C 4015	CHIP CAP.	10pF	50V	CH	GRM1882C1H100JA01D	K22174211		1-	A	E5
C 4016	CHIP CAP.	10pF	50V	CH	GRM1882C1H100JA01D	K22174211		1-	A	D5
C 4017	CHIP CAP.	10pF	50V	CH	GRM1882C1H100JA01D	K22174211		1-	A	D5
C 4018	CHIP CAP.	0.1uF	50V	B	GRM42-6B104K50PT	K22171820		1-	A	C6
C 4019	CHIP CAP.	0.01uF	50V	B	GRM188B11H103JA01D	K22174824		1-	A	B5
C 4020	CHIP CAP.	0.01uF	50V	B	GRM188B11H103JA01D	K22174824		1-	A	C6
C 4021	CHIP CAP.	0.047uF	50V	B	GRM40B473M50PT	K22170823		1-	A	C6
C 4022	CHIP CAP.	0.1uF	16V	B	GRM188B11C104KA01D	K22124805		1-	A	C7
C 4023	CHIP CAP.	0.047uF	16V	B	GRM39B473K16PT	K22124804		1-	A	B6
C 4024	CHIP CAP.	0.1uF	250V	X7R	GRM32DR72E104KW01L	K22245801		1-	A	C5
C 4025	CHIP CAP.	0.047uF	16V	B	GRM39B473K16PT	K22124804		1-	A	C6
C 4026	CHIP CAP.	0.01uF	50V	B	GRM188B11H103KA01D	K22174823		1-	A	B6
C 4027	CHIP CAP.	0.01uF	50V	B	GRM188B11H103KA01D	K22174823		1-	A	B5
C 4028	AL.ELECTRO.CAP.	10uF	35V		ECEV1VA100WR	K48160004		1-	A	B6
C 4029	CHIP CAP.	0.01uF	50V	B	GRM188B11H103JA01D	K22174824		1-	A	C6
C 4030	CHIP CAP.	0.047uF	50V	B	GRM40B473M50PT	K22170823		1-	A	B6
C 4031	AL.ELECTRO.CAP.	100uF	160V		RE3-160V101M	K40229001		1-	A	A5
C 4032	CERAMIC CAP.	0.001uF	100V	CH	GRM42-6CH102J100PT	K22201202		1-	A	B5
C 4033	CERAMIC CAP.	0.001uF	100V	CH	GRM42-6CH102J100PT	K22201202		1-	A	B4
C 4034	CHIP CAP.	56pF	200V	CH	GRM2192C2D560JV01D	K22230225		1-	A	C5
C 4035	CHIP CAP.	0.01uF	250V	X7R	GRM21BR72E103KW03L	K22240801		1-	A	B5
C 4036	CHIP CAP.	0.01uF	250V	X7R	GRM21BR72E103KW03L	K22240801		1-	A	B4
C 4037	CHIP CAP.	0.1uF	25V	F	GRM39F104Z25PT	K22145001		1-	A	B4
C 4038	CHIP CAP.	0.1uF	25V	F	GRM39F104Z25PT	K22145001		1-	A	B5
C 4040	CHIP CAP.	0.01uF	250V	X7R	GRM21BR72E103KW03L	K22240801		1-	A	C4
C 4041	CHIP CAP.	0.01uF	250V	X7R	GRM21BR72E103KW03L	K22240801		1-	A	C4
C 4042	CHIP CAP.	0.01uF	250V	X7R	GRM21BR72E103KW03L	K22240801		1-	A	B4
C 4043	CHIP CAP.	0.01uF	250V	X7R	GRM21BR72E103KW03L	K22240801		1-	A	B4
C 4044	CHIP CAP.	0.1uF	25V	F	GRM39F104Z25PT	K22145001		1-	A	B4
C 4045	CHIP CAP.	0.047uF	16V	B	GRM39B473K16PT	K22124804		1-	A	E5
C 4046	CHIP CAP.	0.1uF	25V	F	GRM39F104Z25PT	K22145001		1-	A	A5
C 4047	CHIP CAP.	0.1uF	25V	F	GRM39F104Z25PT	K22145001		1-	A	D5
C 4048	CHIP CAP.	0.047uF	16V	B	GRM39B473K16PT	K22124804		1-	A	B6
C 4049	AL.ELECTRO.CAP.	10uF	35V		ECEV1VA100WR	K48160004		1-	A	B7
C 4050	CHIP CAP.	0.01uF	250V	X7R	GRM21BR72E103KW03L	K22240801		1-	A	D4
C 4051	CHIP CAP.	0.01uF	250V	X7R	GRM21BR72E103KW03L	K22240801		1-	A	D4
C 4052	CHIP CAP.	0.01uF	250V	X7R	GRM21BR72E103KW03L	K22240801		1-	A	A4
C 4053	CHIP CAP.	0.01uF	250V	X7R	GRM21BR72E103KW03L	K22240801		1-	A	B4
C 4054	CHIP CAP.	0.1uF	25V	F	GRM39F104Z25PT	K22145001		1-	A	D4
C 4055	CHIP CAP.	0.1uF	25V	F	GRM39F104Z25PT	K22145001		1-	A	A6
C 4056	CHIP CAP.	0.047uF	16V	B	GRM39B473K16PT	K22124804		1-	A	A6
C 4057	CHIP CAP.	0.1uF	25V	F	GRM39F104Z25PT	K22145001		1-	A	D5
C 4058	CHIP CAP.	0.1uF	25V	F	GRM39F104Z25PT	K22145001		1-	A	C4
C 4059	CHIP CAP.	0.01uF	250V	X7R	GRM21BR72E103KW03L	K22240801		1-	A	C4
C 4059	CHIP CAP.	0.033uF	250V	X7R	GRM31CR72E333KW03L	K22241802		4-	A	C4
C 4060	CHIP CAP.	0.01uF	250V	X7R	GRM21BR72E103KW03L	K22240801		1-	A	B4
C 4060	CHIP CAP.	0.033uF	250V	X7R	GRM31CR72E333KW03L	K22241802		4-	A	B4
C 4061	FILM CAP.	0.1uF	100V		ECCQ-B1104JF	K50205104		1-	A	B3
C 4063	FILM CAP.	180pF	500V		UC342H1800J-T	K33279039		1-	A	C4
C 4065	AL.ELECTRO.CAP.	100uF	160V		RE3-160V101M	K40229001		1-	A	A1
C 4066	AL.ELECTRO.CAP.	10uF	35V		ECEV1VA100WR	K48160004		1-	A	A6
C 4067	CHIP CAP.	0.01uF	250V	X7R	GRM21BR72E103KW03L	K22240801		1-	A	A2
C 4068	CHIP CAP.	0.047uF	16V	B	GRM39B473K16PT	K22124804		1-	A	A6
C 4069	AL.ELECTRO.CAP.	100uF	160V		RE3-160V101M	K40229001		1-	A	B2
C 4070	CHIP CAP.	0.01uF	250V	X7R	GRM21BR72E103KW03L	K22240801		1-	A	A2
C 4071	CHIP CAP.	0.01uF	50V	B	GRM188B11H103JA01D	K22174824		1-	A	A6
C 4072	AL.ELECTRO.CAP.	100uF	160V		RE3-160V101M	K40229001		1-	A	D2

# PA-A Unit (MP Type)

## Parts List

REF	DESCRIPTION	VALUE	V/W	TOL.	MFR'S DESIG	VXSTD P/N	VERS.	LOT	SIDE	LAY ADR
C 4073	CHIP CAP.	0.01uF	250V	X7R	GRM21BR72E103KW03L	K22240801		1-	A	A1
C 4074	CERAMIC CAP.	0.001uF	100V	CH	GRM42-6CH102J100PT	K22201202		1-	A	A2
C 4075	CHIP CAP.	0.047uF	16V	B	GRM39B473K16PT	K22124804		1-	A	A6
C 4076	CHIP CAP.	0.01uF	250V	X7R	GRM21BR72E103KW03L	K22240801		1-	A	D2
C 4077	CHIP CAP.	0.01uF	250V	X7R	GRM21BR72E103KW03L	K22240801		1-	A	A1
C 4078	FILM CAP.	47pF	500V		UC232H0470J-T	K33279034		1-	A	B6
C 4079	CHIP CAP.	0.01uF	250V	X7R	GRM21BR72E103KW03L	K22240801		1-	A	D3
C 4080	CHIP CAP.	0.01uF	250V	X7R	GRM21BR72E103KW03L	K22240801		1-	A	C3
C 4081	CHIP CAP.	0.001uF	500V	W5R	CF316W5R102K500AT	K22271802		1-	A	C3
C 4082	CHIP CAP.	0.001uF	500V	W5R	CF316W5R102K500AT	K22271802		1-	A	C3
C 4083	CHIP CAP.	0.001uF	500V	W5R	CF316W5R102K500AT	K22271802		1-	A	B3
C 4084	CHIP CAP.	0.001uF	500V	W5R	CF316W5R102K500AT	K22271802		1-	A	B3
C 4085	CHIP CAP.	0.01uF	250V	X7R	GRM21BR72E103KW03L	K22240801		1-	A	B3
C 4086	CHIP CAP.	0.01uF	250V	X7R	GRM21BR72E103KW03L	K22240801		1-	A	B3
C 4087	FILM CAP.	0.1uF	100V		ECQ-B1104JF	K50205104		1-	A	D2
C 4088	CHIP CAP.	0.01uF	250V	X7R	GRM21BR72E103KW03L	K22240801		1-	A	D2
C 4089	CHIP CAP.	0.01uF	250V	X7R	GRM21BR72E103KW03L	K22240801		1-	A	D2
C 4090	CHIP CAP.	0.01uF	250V	X7R	GRM21BR72E103KW03L	K22240801		1-	A	D1
C 4091	CHIP CAP.	0.047uF	16V	B	GRM39B473K16PT	K22124804		1-	A	I1
C 4092	CHIP CAP.	0.047uF	16V	B	GRM39B473K16PT	K22124804		1-	A	G1
C 4093	CHIP CAP.	0.047uF	16V	B	GRM39B473K16PT	K22124804		1-	A	F1
C 4094	CHIP CAP.	0.047uF	16V	B	GRM39B473K16PT	K22124804		1-	A	J1
C 4095	CHIP CAP.	0.047uF	16V	B	GRM39B473K16PT	K22124804		1-	A	H1
C 4096	CHIP CAP.	0.047uF	16V	B	GRM39B473K16PT	K22124804		1-	A	G1
C 4097	CHIP CAP.	0.047uF	16V	B	GRM39B473K16PT	K22124804		1-	A	E1
C 4098	CHIP CAP.	0.047uF	16V	B	GRM39B473K16PT	K22124804		1-	A	A6
C 4099	FILM CAP.	120pF	500V		UC342H1200J-T	K33279026		1-	A	G1
C 4099	FILM CAP.	150pF	500V		UC342H1500J-T	K33279012		4-	A	G1
C 4100	FILM CAP.	18pF	500V		UC232H0180J-T	K33279029		1-	A	E2
C 4101	CHIP CAP.	0.047uF	16V	B	GRM39B473K16PT	K22124804		1-	A	A6
C 4102	FILM CAP.	560pF	500V		UC552H5600J-T	K33279041		1-	A	I1
C 4103	FILM CAP.	220pF	500V		UC342H2200J-T	K33279011		1-	A	G2
C 4104	FILM CAP.	120pF	500V		UC342H1200J-T	K33279026		1-	A	F1
C 4104	FILM CAP.	150pF	500V		UC342H1500J-T	K33279012		4-	A	F1
C 4105	FILM CAP.	120pF	500V		UC342H1200J-T	K33279026		1-	A	I1
C 4106	FILM CAP.	56pF	500V		UC232H0560J-T	K33279035		1-	A	H1
C 4107	FILM CAP.	18pF	500V		UC232H0180J-T	K33279029		1-	A	G2
C 4108	CHIP CAP.	0.1uF	16V	B	GRM188B11C104KA01D	K22124805		1-	A	C6
C 4109	FILM CAP.	560pF	500V		UC552H5600J-T	K33279041		1-	A	H1
C 4110	FILM CAP.	180pF	500V		UC342H1800J-T	K33279039		1-	A	F2
C 4111	FILM CAP.	56pF	500V		UC232H0560J-T	K33279035		1-	A	H1
C 4112	FILM CAP.	22pF	500V		UC232H0220J-T	K33279021		1-	A	G2
C 4112	FILM CAP.	33pF	500V		UC232H0330J-T	K33279024		4-	A	G2
C 4113	CHIP CAP.	0.047uF	16V	B	GRM39B473K16PT	K22124804		1-	A	C6
C 4114	FILM CAP.	330pF	500V		UC342H3300J-T	K33279014		1-	A	H3
C 4116	FILM CAP.	330pF	500V		UC342H3300J-T	K33279014		1-	A	G3
C 4117	FILM CAP.	82pF	500V		UC232H0820J-T	K33279033		1-	A	G3
C 4118	FILM CAP.	220pF	500V		UC342H2200J-T	K33279011		1-	A	F1
C 4119	FILM CAP.	68pF	500V		UC232H0680J-T	K33279030		1-	A	F1
C 4120	FILM CAP.	10pF	500V		UC232H0100D-T	K33279019		1-	A	I3
C 4120	FILM CAP.	33pF	500V		UC232H0330J-T	K33279024		4-	A	I3
C 4121	FILM CAP.	100pF	500V		UC342H1000J-T	K33279031		1-	A	I3
C 4122	FILM CAP.	47pF	500V		UC232H0470J-T	K33279034		1-	A	H2
C 4123	FILM CAP.	18pF	500V		UC232H0180J-T	K33279029		4-	A	F2
C 4124	FILM CAP.	22pF	500V		UC232H0220J-T	K33279021		1-	A	F1
C 4125	FILM CAP.	3pF	500V		UC232H0030D-T	K33279027		1-	A	E2
C 4126	CHIP CAP.	0.001uF	25V	CH	GRM1882C1E102JA01D	K22144204		1-	A	C6
C 4127	CERAMIC CAP.	0.001uF	500V	SL	HM17S.JSL102J	K00279028		1-	A	H3
C 4128	FILM CAP.	330pF	500V		UC342H3300J-T	K33279014		1-	A	F3
C 4129	FILM CAP.	120pF	500V		UC342H1200J-T	K33279026		1-	A	H3
C 4130	FILM CAP.	120pF	500V		UC342H1200J-T	K33279026		1-	A	G3
C 4131	FILM CAP.	39pF	500V		UC232H0390J-T	K33279038		1-	A	E3
C 4132	CHIP CAP.	0.047uF	16V	B	GRM39B473K16PT	K22124804		1-	A	C6
C 4133	CHIP CAP.	0.1uF	16V	B	GRM188B11C104KA01D	K22124805		1-	A	A4
C 4134	FILM CAP.	470pF	500V		UC342H4700J-T	K33279015		1-	A	G3
C 4135	FILM CAP.	150pF	500V		UC342H1500J-T	K33279012		1-	A	I3
C 4136	FILM CAP.	27pF	500V		UC232H0270J-T	K33279023		1-	A	G3
C 4137	CHIP CAP.	0.1uF	16V	B	GRM188B11C104KA01D	K22124805		1-	A	D5
C 4138	CERAMIC CAP.	0.001uF	500V	SL	HM17S.JSL102J	K00279028		1-	A	I3
C 4139	FILM CAP.	390pF	500V		UC342H3900J-T	K33279040		1-	A	G3
C 4140	FILM CAP.	220pF	500V		UC342H2200J-T	K33279011		1-	A	F3
C 4141	FILM CAP.	150pF	500V		UC342H1500J-T	K33279012		1-	A	I3
C 4142	FILM CAP.	100pF	500V		UC342H1000J-T	K33279031		1-	A	H3

# PA-A Unit (MP Type)

## Parts List

REF	DESCRIPTION	VALUE	V/W	TOL.	MFR'S DESIG	VXSTD P/N	VERS.	LOT	SIDE	LAY ADR
C 4143	FILM CAP.	47pF	500V		UC232H0470J-T	K33279034		1-	A	E3
C 4144	FILM CAP.	150pF	500V		UC342H1500J-T	K33279012		1-	A	H4
C 4145	FILM CAP.	150pF	500V		UC342H1500J-T	K33279012		1-	A	G4
C 4146	FILM CAP.	82pF	500V		UC232H0820J-T	K33279033		1-	A	E5
C 4147	FILM CAP.	56pF	500V		UC232H0560J-T	K33279035		1-	A	E4
C 4148	FILM CAP.	56pF	500V		UC232H0560J-T	K33279035		1-	A	I4
C 4149	FILM CAP.	33pF	500V		UC232H0330J-T	K33279024		1-	A	H4
C 4149	FILM CAP.	15pF	500V		UC232H0150J-T	K33279028		4-	A	H4
C 4150	FILM CAP.	15pF	500V		UC232H0150J-T	K33279028		1-	A	F3
C 4151	FILM CAP.	6pF	500V		UC232H0060D-T	K33279045		1-	A	F3
C 4152	CERAMIC CAP.	0.001uF	500V	SL	HM17SJSLS102J	K00279028		1-	A	I4
C 4153	CERAMIC CAP.	0.001uF	500V	SL	HM17SJSLS102J	K00279028		1-	A	G5
C 4154	FILM CAP.	150pF	500V		UC342H1500J-T	K33279012		1-	A	F5
C 4155	FILM CAP.	82pF	500V		UC232H0820J-T	K33279033		1-	A	I4
C 4155	FILM CAP.	47pF	500V		UC232H0470J-T	K33279034		4-	A	I4
C 4156	FILM CAP.	100pF	500V		UC342H1000J-T	K33279031		1-	A	H4
C 4157	FILM CAP.	56pF	500V		UC232H0560J-T	K33279035		1-	A	E4
C 4158	FILM CAP.	330pF	500V		UC342H3300J-T	K33279014		1-	A	F4
C 4159	FILM CAP.	82pF	500V		UC232H0820J-T	K33279033		1-	A	F4
C 4160	CHIP CAP.	0.1uF	16V	B	GRM188B11C104KA01D	K22124805		1-	A	D6
C 4161	FILM CAP.	270pF	500V		UC342H2700J-T	K33279013		1-	A	I4
C 4161	FILM CAP.	330pF	500V		UC342H3300J-T	K33279014		4-	A	I4
C 4162	FILM CAP.	150pF	500V		UC342H1500J-T	K33279012		1-	A	H4
C 4163	FILM CAP.	39pF	500V		UC232H0390J-T	K33279038		1-	A	E4
C 4164	CERAMIC CAP.	820pF	500V	SL	HM17SJSLS821J	K00279027		1-	A	I5
C 4165	CHIP CAP.	0.1uF	16V	B	GRM188B11C104KA01D	K22124805		1-	A	D5
C 4166	FILM CAP.	220pF	500V		UC342H2200J-T	K33279011		1-	A	F5
C 4167	FILM CAP.	12pF	500V		UC232H0120J-T	K33279020		1-	A	I5
C 4168	FILM CAP.	9pF	500V		UC232H0090D-T	K33279047		1-	A	H6
C 4169	FILM CAP.	5pF	500V		UC232H0050D-T	K33279010		1-	A	F6
C 4170	FILM CAP.	18pF	500V		UC232H0180J-T	K33279029		1-	A	E5
C 4171	FILM CAP.	82pF	500V		UC232H0820J-T	K33279033		1-	A	H6
C 4172	FILM CAP.	68pF	500V		UC232H0680J-T	K33279030		1-	A	G5
C 4173	FILM CAP.	47pF	500V		UC232H0470J-T	K33279034		1-	A	F5
C 4174	FILM CAP.	100pF	500V		UC342H1000J-T	K33279031		1-	A	I5
C 4175	FILM CAP.	100pF	500V		UC342H1000J-T	K33279031		1-	A	H6
C 4176	FILM CAP.	39pF	500V		UC232H0390J-T	K33279038		1-	A	E5
C 4177	CERAMIC CAP.	0.001uF	500V	SL	HM17SJSLS102J	K00279028		1-	A	I6
C 4178	FILM CAP.	470pF	500V		UC342H4700J-T	K33279015		1-	A	G6
C 4179	FILM CAP.	220pF	500V		UC342H2200J-T	K33279011		1-	A	E6
C 4180	CHIP CAP.	0.1uF	16V	B	GRM188B11C104KA01D	K22124805		1-	A	D6
C 4181	FILM CAP.	220pF	500V		UC342H2200J-T	K33279011		1-	A	F6
C 4182	FILM CAP.	120pF	500V		UC342H1200J-T	K33279026		1-	A	I6
C 4183	FILM CAP.	33pF	500V		UC232H0330J-T	K33279024		1-	A	H6
C 4184	FILM CAP.	39pF	500V		UC232H0390J-T	K33279038		1-	A	G6
C 4185	FILM CAP.	470pF	500V		UC342H4700J-T	K33279015		1-	A	I6
C 4186	CHIP CAP.	0.001uF	25V	CH	GRM1882C1E102JA01D	K22144204		1-	A	C6
C 4187	CHIP CAP.	0.047uF	16V	B	GRM39B473K16PT	K22124804		1-	A	H6
C 4188	CHIP CAP.	0.047uF	16V	B	GRM39B473K16PT	K22124804		1-	A	G6
C 4189	CHIP CAP.	0.047uF	16V	B	GRM39B473K16PT	K22124804		1-	A	E6
C 4190	CHIP CAP.	0.047uF	16V	B	GRM39B473K16PT	K22124804		1-	A	I6
C 4191	CHIP CAP.	0.047uF	16V	B	GRM39B473K16PT	K22124804		1-	A	G6
C 4192	CHIP CAP.	0.047uF	16V	B	GRM39B473K16PT	K22124804		1-	A	F6
C 4193	CHIP CAP.	0.047uF	16V	B	GRM39B473K16PT	K22124804		1-	A	D6
C 4194	FILM CAP.	12pF	500V		UC232H0120J-T	K33279020		1-	A	E6
C 4195	AL.ELECTRO.CAP.	10uF	35V		ECEV1VA100WR	K48160004		1-	A	A5
C 4196	CHIP CAP.	0.01uF	250V	X7R	GRM21BR72E103KW03L	K22240801		1-	A	A5
C 4197	CHIP CAP.	0.01uF	50V	B	GRM188B11H103JA01D	K22174824		1-	A	A5
C 4198	FILM CAP.	390pF	500V		UC342H3900J-T	K33279040		1-	A	I3
C 4199	FILM CAP.	100pF	500V		UC342H1000J-T	K33279031		1-	A	H5
C 4200	CERAMIC CAP.	820pF	500V	SL	HM17SJSLS821J	K00279027		1-	A	I4
C 4201	FILM CAP.	47pF	500V		UC232H0470J-T	K33279034		1-	A	G4
C 4202	FILM CAP.	100pF	500V		UC342H1000J-T	K33279031		1-	A	G5
C 4203	FILM CAP.	56pF	500V		UC232H0560J-T	K33279035		1-	A	F4
C 4204	CHIP CAP.	0.1uF	250V	X7R	GRM32DR72E104KW01L	K22245801		1-	A	C3
C 4205	CHIP CAP.	0.1uF	250V	X7R	GRM32DR72E104KW01L	K22245801		1-	A	D3
C 4206	CHIP CAP.	0.1uF	250V	X7R	GRM32DR72E104KW01L	K22245801		1-	A	C3
C 4207	CHIP CAP.	0.1uF	250V	X7R	GRM32DR72E104KW01L	K22245801		1-	A	B3
C 4208	CHIP CAP.	0.1uF	250V	X7R	GRM32DR72E104KW01L	K22245801		1-	A	B3
C 4209	CHIP CAP.	0.1uF	250V	X7R	GRM32DR72E104KW01L	K22245801		1-	A	B3
C 4210	CHIP CAP.	0.1uF	250V	X7R	GRM32DR72E104KW01L	K22245801		1-	A	D4
C 4211	CHIP CAP.	0.1uF	250V	X7R	GRM32DR72E104KW01L	K22245801		1-	A	D4
C 4212	CHIP CAP.	0.1uF	250V	X7R	GRM32DR72E104KW01L	K22245801		1-	A	A4

# PA-A Unit (MP Type)

## Parts List

REF	DESCRIPTION	VALUE	V/W	TOL.	MFR'S DESIG	VXSTD P/N	VERS.	LOT	SIDE	LAY ADR
C 4213	CHIP CAP.	0.1uF	250V	X7R	GRM32DR72E104KW01L	K22245801		1-	A	B4
C 4214	CHIP CAP.	0.1uF	250V	X7R	GRM32DR72E104KW01L	K22245801		1-	A	B4
C 4215	CHIP CAP.	0.1uF	250V	X7R	GRM32DR72E104KW01L	K22245801		1-	A	B4
C 4216	CHIP CAP.	0.1uF	250V	X7R	GRM32DR72E104KW01L	K22245801		1-	A	C4
C 4217	CHIP CAP.	0.1uF	250V	X7R	GRM32DR72E104KW01L	K22245801		1-	A	C4
C 4225	CHIP CAP.	0.1uF	250V	X7R	GRM32DR72E104KW01L	K22245801		1-	A	C5
C 4226	CHIP CAP.	0.01uF	50V	B	GRM188B11H103KA01D	K22174823		1-	A	C6
C 4227	AL.ELECTRO.CAP.	1000uF	16V		RE3-16V102MH3 1000UF	K40129096		1-	A	B6
C 4228	CHIP CAP.	0.1uF	50V	B	GRM42-6B104K50PT	K22171820		1-	A	C5
C 4229	CHIP CAP.	0.1uF	16V	B	GRM188B11C104KA01D	K22124805		1-	A	A4
C 4230	CHIP CAP.	0.1uF	16V	B	GRM188B11C104KA01D	K22124805		1-	A	C6
C 4231	CHIP CAP.	0.1uF	16V	B	GRM188B11C104KA01D	K22124805		1-	A	B7
C 4232	CHIP CAP.	0.047uF	16V	B	GRM39B473K16PT	K22124804		1-	A	C6
C 4233	CHIP CAP.	0.047uF	16V	B	GRM39B473K16PT	K22124804		1-	A	B7
C 4234	CHIP CAP.	0.001uF	25V	CH	GRM1882C1E102JA01D	K22144204		1-	A	C6
C 4235	CHIP CAP.	0.001uF	25V	CH	GRM1882C1E102JA01D	K22144204		1-	A	B7
C 4236	CHIP CAP.	0.1uF	16V	B	GRM188B11C104KA01D	K22124805		1-	A	D7
C 4237	CHIP CAP.	0.1uF	16V	B	GRM188B11C104KA01D	K22124805		1-	A	D6
C 4238	CHIP CAP.	0.1uF	16V	B	GRM188B11C104KA01D	K22124805		1-	A	D6
C 4239	CHIP CAP.	0.1uF	16V	B	GRM188B11C104KA01D	K22124805		1-	A	D6
C 4240	CHIP CAP.	0.01uF	50V	B	GRM188B11H103KA01D	K22174823		1-	A	D7
C 4241	CHIP CAP.	0.001uF	25V	CH	GRM1882C1E102JA01D	K22144204		1-	A	A5
C 4242	CERAMIC CAP.	0.001uF	100V	CH	GRM42-6CH102J100PT	K22201202		1-	A	D1
C 4243	CERAMIC CAP.	0.001uF	100V	CH	GRM42-6CH102J100PT	K22201202		1-	A	A1
C 4244	CHIP CAP.	0.01uF	50V	B	GRM188B11H103JA01D	K22174824		1-	A	A4
C 4245	CHIP CAP.	0.01uF	250V	X7R	GRM21BR72E103KW03L	K22240801		1-	A	B7
C 4246	FILM CAP.	0.1uF	100V		ECQ-B1104JF	K50205104		1-	A	A7
C 4247	CHIP CAP.	0.01uF	50V	B	GRM188B11H103KA01D	K22174823		1-	A	D4
C 4248	CHIP CAP.	0.01uF	50V	B	GRM188B11H103KA01D	K22174823		1-	A	D4
C 4249	CHIP CAP.	47pF	200V	CH	GRM2192C2D470JV01D	K22230224		1-	A	C5
C 4250	CHIP CAP.	0.01uF	50V	B	GRM188B11H103KA01D	K22174823		1-	A	D5
C 4251	CHIP CAP.	0.01uF	50V	B	GRM188B11H103KA01D	K22174823		1-	A	D5
C 4252	CHIP CAP.	56pF	200V	CH	GRM2192C2D560JV01D	K22230225		1-	A	C4
C 4253	FILM CAP.	27pF	500V		UC232H0270J-T	K33279023		1-	A	B6
C 4254	FILM CAP.	33pF	500V		UC232H0330J-T	K33279024		1-	A	E2
C 4255	CHIP CAP.	0.001uF	25V	CH	GRM1882C1E102JA01D	K22144204		1-	A	A6
C 4256	CHIP CAP.	0.01uF	250V	X7R	GRM21BR72E103KW03L	K22240801		1-	A	A4
C 4257	FILM CAP.	0.1uF	100V		ECQ-B1104JF	K50205104		1-	A	A4
C 4258	FILM CAP.	18pF	500V		UC232H0180J-T	K33279029		4-		
D 4007	DIODE				BAS316	G2070716		1-	A	B6
D 4008	DIODE				HZM22N B1(TAPE)	G2071052		1-	A	A5
D 4009	DIODE				BAS316	G2070716		1-	A	A4
D 4010	DIODE				10EDB10	G2090781		1-	A	D4
D 4011	DIODE				10EDB10	G2090781		1-	A	D4
D 4012	DIODE				02CZ8.2Y TE85R	G2070146		1-	A	C5
D 4013	DIODE				HZ7B1	G2090229		1-	A	C6
D 4014	DIODE				BAS316	G2070716		1-	A	E4
D 4014	DIODE				BAS316	G2070716		4-	A	E4
D 4015	DIODE				DAN235U TL	G2070176		1-	A	E4
D 4016	DIODE				DAN235U TL	G2070176		1-	A	E4
F 4001	FUSE	15A			FGBO 250V 15A	Q0000121		1-		
F 4002	FUSE	15A			FGBO 250V 15A	Q0000121		1-		
FH4001	FUSE CLIP				PFC6000-0202	P2000050		1-	A	A1
FH4002	FUSE CLIP				PFC6000-0202	P2000050		1-	A	D3
J 4001	CONNECTOR				TMP-S01X-C1	P1091254		1-	A	C6
J 4002	CONNECTOR				30FLT-SM1-TB	P1091142		1-	A	A5
J 4003	CONNECTOR				IMSA-9202B-1-02-T	P0091174		1-	A	A5
J 4004	CONNECTOR				B03B-XH-A	P0091413		1-	A	C7
J 4005	CONNECTOR				SC25-02WS	P0090621		1-	A	A6
J 4006	TERMINAL				Y106	S5000179		1-	A	B1
J 4007	TERMINAL				Y106	S5000179		1-	A	D1
J 4008	TERMINAL				Y106	S5000179		1-	A	A1
J 4009	TERMINAL				Y106	S5000179		1-	A	D1
J 4010	CONNECTOR				S-Q3063#01	P1090295		1-	A	E6
J 4011	CONNECTOR				SB20-02WS	P0090609		1-	A	B7
J 4012	CONNECTOR				IMSA-9202B-1-02-T	P0091174		1-	A	B6
J 4013	CONNECTOR				SB20-03WS	P0090610		1-	A	A4
L 4001	M.RFC	1uH			LAL03TA1ROM	L1790083		1-	A	C7
L 4002	M.RFC	3.3uH			LAL03TA3R3K	L1790089		1-	A	C6
L 4003	RFC A1				43T0.16 4X9CB-20	L1020666A		1-	A	B6
L 4004	RFC WITH BEADS				FB-43-5111	L1020015		1-	A	B5
L 4005	RFC WITH BEADS				FB-43-5111	L1020015		1-	A	B5
L 4006	RFC A1				43T0.16 4X9CB-20	L1020666A		1-	A	A6

# PA-A Unit (MP Type)

## Parts List

REF	DESCRIPTION	VALUE	V/W	TOL.	MFR'S DESIG	VXSTD P/N	VERS.	LOT	SIDE	LAY ADR
L 4007	RFC WITH BEADS				3A R15.8X6.4-2	L1020728		1-	A	B2
L 4008	RFC WITH BEADS				3A R15.8X6.4-2	L1020728		1-	A	B2
L 4009	RFC WITH BEADS				3A R15.8X6.4-2	L1020728		1-	A	D2
L 4010	RFC WITH BEADS				3A R15.8X6.4-2	L1020728		1-	A	D2
L 4011	TOROIDAL COIL	3.91uH			#223248	L0022941		1-	A	H2
L 4012	TOROIDAL COIL	1.21uH			#223247	L0022940		1-	A	G2
L 4013	TOROIDAL COIL	0.85uH			#223242	L0022935		1-	A	F2
L 4014	TOROIDAL COIL	0.42uH			#223237	L0022930		1-	A	J2
L 4015	TOROIDAL COIL	0.39uH			#223236	L0022929		1-	A	H2
L 4016	TOROIDAL COIL	0.25uH			0.25uT-106-6	L0021619		1-	A	G2
L 4016	TOROIDAL COIL	0.21uH			0.21u T-106-6	L0021619A		5-	A	G2
L 4017	COIL A1				3.5T13.0D2.0UEW R	L0022725		1-	A	E2
L 4018	TOROIDAL COIL	5.16uH			#223250	L0022943		1-	A	H4
L 4019	TOROIDAL COIL	1.88uH			#223246	L0022939		1-	A	G3
L 4020	TOROIDAL COIL	1.31uH			#223243	L0022936		1-	A	E4
L 4021	TOROIDAL COIL	0.66uH			#223240	L0022933		1-	A	J3
L 4022	TOROIDAL COIL	0.52uH			#223239	L0022932		1-	A	H4
L 4023	TOROIDAL COIL	0.34uH			#223235	L0022928		1-	A	G4
L 4024	COIL A1				3.5T13.0D2.0UEW R	L0022725		1-	A	F3
L 4025	TOROIDAL COIL	0.66uH			#223240	L0022933		1-	A	J5
L 4026	TOROIDAL COIL	0.5uH			#223238	L0022931		1-	A	H5
L 4027	TOROIDAL COIL	0.34uH			#223235	L0022928		1-	A	F5
L 4028	COIL A1				2.5T14.0D2.0UEW R	L0022724		1-	A	E4
L 4029	TOROIDAL COIL	5.04uH			#223249	L0022942		1-	A	H5
L 4030	TOROIDAL COIL	1.99uH			#223245	L0022938		1-	A	G5
L 4031	TOROIDAL COIL	1.39uH			#223244	L0022937		1-	A	F5
P 4001	CONNECTOR				IMSA-9206H-T	P1090988		1-		
P 4002	CONNECTOR				IMSA-9206H-T	P1090988		1-		
Q 4001	IC				M5223AFP 600C	G1092955		1-	A	B5
Q 4002	IC				M5223AFP 600C	G1092955		1-	A	D5
Q 4003	IC				BU2507FV-E2	G1093773		1-	A	B6
Q 4004	FET				RD06HHF1-01	G3090145		1-	A	B6
Q 4005	IC				BU4094BCFV-E2	G1093527		1-	A	D5
Q 4006	IC				M5223AFP 600C	G1092955		1-	A	B6
Q 4007	FET				SD2918	G3090147		1-	A	C5
Q 4008	IC				TD62783AFN(EL)	G1092700		1-	A	D5
Q 4009	FET				SD2931-10	G3090146		1-	A	C3
Q 4010	FET				SD2931-10	G3090146		1-	A	D3
Q 4011	FET				SD2931-10	G3090146		1-	A	B3
Q 4012	FET				SD2931-10	G3090146		1-	A	A3
Q 4013	IC				PQ09TZ1U	G1092599		1-	A	B6
Q 4014	IC				M5218AFP-600C	G1091607		1-	A	A6
Q 4015	TRANSISTOR				2SD2403GY-T1	G3424038Y		1-	A	A5
Q 4016	IC				M5223AFP 600C	G1092955		1-	A	D6
Q 4017	IC				M5223AFP 600C	G1092955		1-	A	D6
Q 4018	IC				LM19CIZ	G1094150		1-	A	A4
Q 4019	TRANSISTOR				DTD123YK T146	G3070157		1-	A	D7
Q 4020	TRANSISTOR				DTD123YK T146	G3070157		1-	A	D6
Q 4021	TRANSISTOR				DTD123YK T146	G3070157		1-	A	D6
Q 4022	TRANSISTOR				DTD123YK T146	G3070157		1-	A	D6
R 4001	CHIP RES.	270	1/16W	5%	RMC1/16 271JATP	J24185271		1-	A	C6
R 4002	CHIP RES.	10	1/16W	5%	RMC1/16 100JATP	J24185100		1-	A	B6
R 4003	CHIP RES.	0	1/16W	5%	RMC1/16 000JATP	J24185000		1-	A	B5
R 4004	CHIP RES.	0	1/16W	5%	RMC1/16 000JATP	J24185000		1-	A	D6
R 4005	CHIP RES.	0	1/16W	5%	RMC1/16 000JATP	J24185000		1-	A	D6
R 4006	CHIP RES.	220	1/16W	5%	RMC1/16 221JATP	J24185221		1-	A	A6
R 4007	CHIP RES.	220	1/16W	5%	RMC1/16 221JATP	J24185221		1-	A	A6
R 4008	CHIP RES.	220	1/16W	5%	RMC1/16 221JATP	J24185221		1-	A	A6
R 4012	CHIP RES.	100k	1/16W	5%	RMC1/16 104JATP	J24185104		1-	A	B5
R 4013	CHIP RES.	100k	1/16W	5%	RMC1/16 104JATP	J24185104		1-	A	D6
R 4014	CHIP RES.	100k	1/16W	5%	RMC1/16 104JATP	J24185104		1-	A	D5
R 4015	CHIP RES.	3.9k	1/16W	5%	RMC1/16 392JATP	J24185392		1-	A	B5
R 4018	CHIP RES.	100k	1/16W	5%	RMC1/16 104JATP	J24185104		1-	A	B5
R 4019	CHIP RES.	100k	1/16W	5%	RMC1/16 104JATP	J24185104		1-	A	D5
R 4020	CHIP RES.	100k	1/16W	5%	RMC1/16 104JATP	J24185104		1-	A	D5
R 4021	CHIP RES.	100k	1/16W	5%	RMC1/16 104JATP	J24185104		1-	A	B5
R 4022	CHIP RES.	100k	1/16W	5%	RMC1/16 104JATP	J24185104		1-	A	D5
R 4023	CHIP RES.	100k	1/16W	5%	RMC1/16 104JATP	J24185104		1-	A	D5
R 4024	CHIP RES.	10k	1/16W	5%	RMC1/16 103JATP	J24185103		1-	A	B5
R 4025	CHIP RES.	10k	1/16W	5%	RMC1/16 103JATP	J24185103		1-	A	D5
R 4026	CHIP RES.	10k	1/16W	5%	RMC1/16 103JATP	J24185103		1-	A	D5
R 4027	CHIP RES.	100	1/10W	5%	RMC1/10T 101J	J24205101		1-	A	C6
R 4028	CHIP RES.	10k	1/16W	5%	RMC1/16 103JATP	J24185103		1-	A	C6

# PA-A Unit (MP Type)

## Parts List

REF	DESCRIPTION	VALUE	V/W	TOL.	MFR'S DESIG	VXSTD P/N	VERS.	LOT	SIDE	LAY ADR
R 4029	CHIP RES.	100k	1/16W	5%	RMC1/16 104JATP	J24185104		1-	A	B5
R 4030	CHIP RES.	100k	1/16W	5%	RMC1/16 104JATP	J24185104		1-	A	D5
R 4031	CHIP RES.	100k	1/16W	5%	RMC1/16 104JATP	J24185104		1-	A	D5
R 4032	CHIP RES.	2.2k	1/10W	5%	RMC1/10T 222J	J24205222		1-	A	C6
R 4033	CHIP RES.	10k	1/16W	5%	RMC1/16 103JATP	J24185103		1-	A	B5
R 4034	CHIP RES.	10k	1/16W	5%	RMC1/16 103JATP	J24185103		1-	A	D5
R 4035	CHIP RES.	10k	1/16W	5%	RMC1/16 103JATP	J24185103		1-	A	D5
R 4036	CHIP RES.	330	1/4W	5%	RMC1/4 331JATP	J24245331		1-	A	C6
R 4037	CHIP RES.	100	1/16W	5%	RMC1/16 101JATP	J24185101		1-	A	D5
R 4038	CHIP RES.	2.7k	1/16W	5%	RMC1/16 272JATP	J24185272		1-	A	C6
R 4039	CHIP RES.	220	1/16W	5%	RMC1/16 221JATP	J24185221		1-	A	E5
R 4040	CHIP RES.	0	1/16W	5%	RMC1/16 000JATP	J24185000		1-	A	B6
R 4041	CHIP RES.	0	1/16W	5%	RMC1/16 000JATP	J24185000		1-	A	A6
R 4042	CHIP RES.	220	1/16W	5%	RMC1/16 221JATP	J24185221		1-	A	E5
R 4045	CHIP RES.	220	1/16W	5%	RMC1/16 221JATP	J24185221		1-	A	E5
R 4046	CHIP RES.	100k	1/16W	5%	RMC1/16 104JATP	J24185104		1-	A	B6
R 4047	CHIP RES.	100k	1/16W	5%	RMC1/16 104JATP	J24185104		1-	A	A6
R 4048	CHIP RES.	470	1/4W	5%	RMC1/4 471JATP	J24245471		1-	A	C6
R 4049	CHIP RES.	1k	1/16W	5%	RMC1/16 102JATP	J24185102		1-	A	B5
R 4052	CHIP RES.	100k	1/16W	5%	RMC1/16 104JATP	J24185104		1-	A	B6
R 4053	CHIP RES.	100k	1/16W	5%	RMC1/16 104JATP	J24185104		1-	A	A6
R 4054	CHIP RES.	10k	1/16W	5%	RMC1/16 103JATP	J24185103		1-	A	C6
R 4055	CHIP RES.	100k	1/16W	5%	RMC1/16 104JATP	J24185104		1-	A	B5
R 4056	CHIP RES.	100k	1/16W	5%	RMC1/16 104JATP	J24185104		1-	A	A5
R 4057	CHIP RES.	10k	1/16W	5%	RMC1/16 103JATP	J24185103		1-	A	B5
R 4058	CHIP RES.	10k	1/16W	5%	RMC1/16 103JATP	J24185103		1-	A	A6
R 4059	CHIP RES.	100k	1/16W	5%	RMC1/16 104JATP	J24185104		1-	A	A5
R 4060	CHIP RES.	3.3k	1/10W	5%	RMC1/10T 332J	J24205332		1-	A	C5
R 4061	CHIP RES.	100k	1/16W	5%	RMC1/16 104JATP	J24185104		1-	A	B6
R 4062	CHIP RES.	680	1W	5%	RMC1 681JTE	J24305681		1-	A	C5
R 4063	CHIP RES.	10k	1/16W	5%	RMC1/16 103JATP	J24185103		1-	A	B5
R 4064	CHIP RES.	10k	1/16W	5%	RMC1/16 103JATP	J24185103		1-	A	A5
R 4065	CHIP RES.	220	1/16W	5%	RMC1/16 221JATP	J24185221		1-	A	B5
R 4066	CHIP RES.	390	1/16W	5%	RMC1/16 391JATP	J24185391		1-	A	B4
R 4067	CHIP RES.	390	1/16W	5%	RMC1/16 391JATP	J24185391		1-	A	B4
R 4068	CHIP RES.	2.2k	1/16W	5%	RMC1/16 222JATP	J24185222		1-	A	B4
R 4069	CHIP RES.	2.2k	1/16W	5%	RMC1/16 222JATP	J24185222		1-	A	B4
R 4070	CHIP RES.	220	1/16W	5%	RMC1/16 221JATP	J24185221		1-	A	B5
R 4071	METAL FILM RES.	3.3	3W	5%	ERX-3SJ3R3P 3.3	J22359045		1-	A	C4
R 4072	METAL FILM RES.	3.3	3W	5%	ERX-3SJ3R3P 3.3	J22359045		1-	A	C4
R 4073	METAL FILM RES.	3.3	3W	5%	ERX-3SJ3R3P 3.3	J22359045		1-	A	B4
R 4074	METAL FILM RES.	3.3	3W	5%	ERX-3SJ3R3P 3.3	J22359045		1-	A	B4
R 4075	CHIP RES.	2.2k	1/16W	5%	RMC1/16 222JATP	J24185222		1-	A	C4
R 4076	CHIP RES.	220	1/16W	5%	RMC1/16 221JATP	J24185221		1-	A	D5
R 4077	CHIP RES.	2.2k	1/16W	5%	RMC1/16 222JATP	J24185222		1-	A	C4
R 4078	CHIP RES.	390	1/16W	5%	RMC1/16 391JATP	J24185391		1-	A	D4
R 4079	METAL FILM RES.	120	2W	5%	ERG-2SJ121P 120	J22339015		1-	A	D4
R 4080	METAL FILM RES.	120	2W	5%	ERG-2SJ121P 120	J22339015		1-	A	D4
R 4081	METAL FILM RES.	120	2W	5%	ERG-2SJ121P 120	J22339015		1-	A	B4
R 4082	METAL FILM RES.	120	2W	5%	ERG-2SJ121P 120	J22339015		1-	A	B4
R 4083	CHIP RES.	1k	1/16W	5%	RMC1/16 102JATP	J24185102		1-	A	A6
R 4084	METAL FILM RES.	22	3W	5%	ERG-3SJ220P 22	J22359025		1-	A	C4
R 4085	CHIP RES.	390	1/16W	5%	RMC1/16 391JATP	J24185391		1-	A	C4
R 4086	METAL FILM RES.	22	3W	5%	ERG-3SJ220P 22	J22359025		1-	A	B4
R 4087	CHIP RES.	220	1/16W	5%	RMC1/16 221JATP	J24185221		1-	A	D5
R 4088	CEMENT RES.	0.05	5W	10%	ERF-5AKR05	J30379001		1-	A	A1
R 4089	CEMENT RES.	0.05	5W	10%	ERF-5AKR05	J30379001		1-	A	D1
R 4090	CHIP RES.	22k	1/16W	0.1%	RN731JTDD2202B25	J24189410		1-	A	D3
R 4091	CHIP RES.	22k	1/16W	0.1%	RN731JTDD2202B25	J24189410		1-	A	D2
R 4092	CHIP RES.	2.7k	1/16W	0.1%	RN731JTDD2701B25	J24189408		1-	A	D3
R 4093	CHIP RES.	2.7k	1/16W	0.1%	RN731JTDD2701B25	J24189408		1-	A	D1
R 4094	CHIP RES.	5.6k	1/16W	0.1%	RN731JTDD5601B25	J24189409		1-	A	A6
R 4095	CHIP RES.	5.6k	1/16W	0.1%	RN731JTDD5601B25	J24189409		1-	A	A6
R 4096	CHIP RES.	220k	1/16W	1%	RMC1/16 224FTP	J24183224		1-	A	A6
R 4097	CHIP RES.	220k	1/16W	1%	RMC1/16 224FTP	J24183224		1-	A	A6
R 4098	CHIP RES.	8.2k	1/16W	5%	RMC1/16 822JATP	J24185822		1-	A	D7
R 4099	CHIP RES.	10k	1/16W	5%	RMC1/16 103JATP	J24185103		1-	A	D6
R 4100	CHIP RES.	10k	1/16W	5%	RMC1/16 103JATP	J24185103		1-	A	D6
R 4101	CHIP RES.	10k	1/16W	5%	RMC1/16 103JATP	J24185103		1-	A	D7
R 4102	CHIP RES.	10k	1/16W	5%	RMC1/16 103JATP	J24185103		1-	A	D7
R 4103	CHIP RES.	470k	1/16W	5%	RMC1/16 474JATP	J24185474		1-	A	C6
R 4104	CHIP RES.	470k	1/16W	5%	RMC1/16 474JATP	J24185474		1-	A	C6
R 4105	CHIP RES.	18	1/16W	5%	RMC1/16 180JATP	J24185180		1-	A	C6

# PA-A Unit (MP Type)

## Parts List

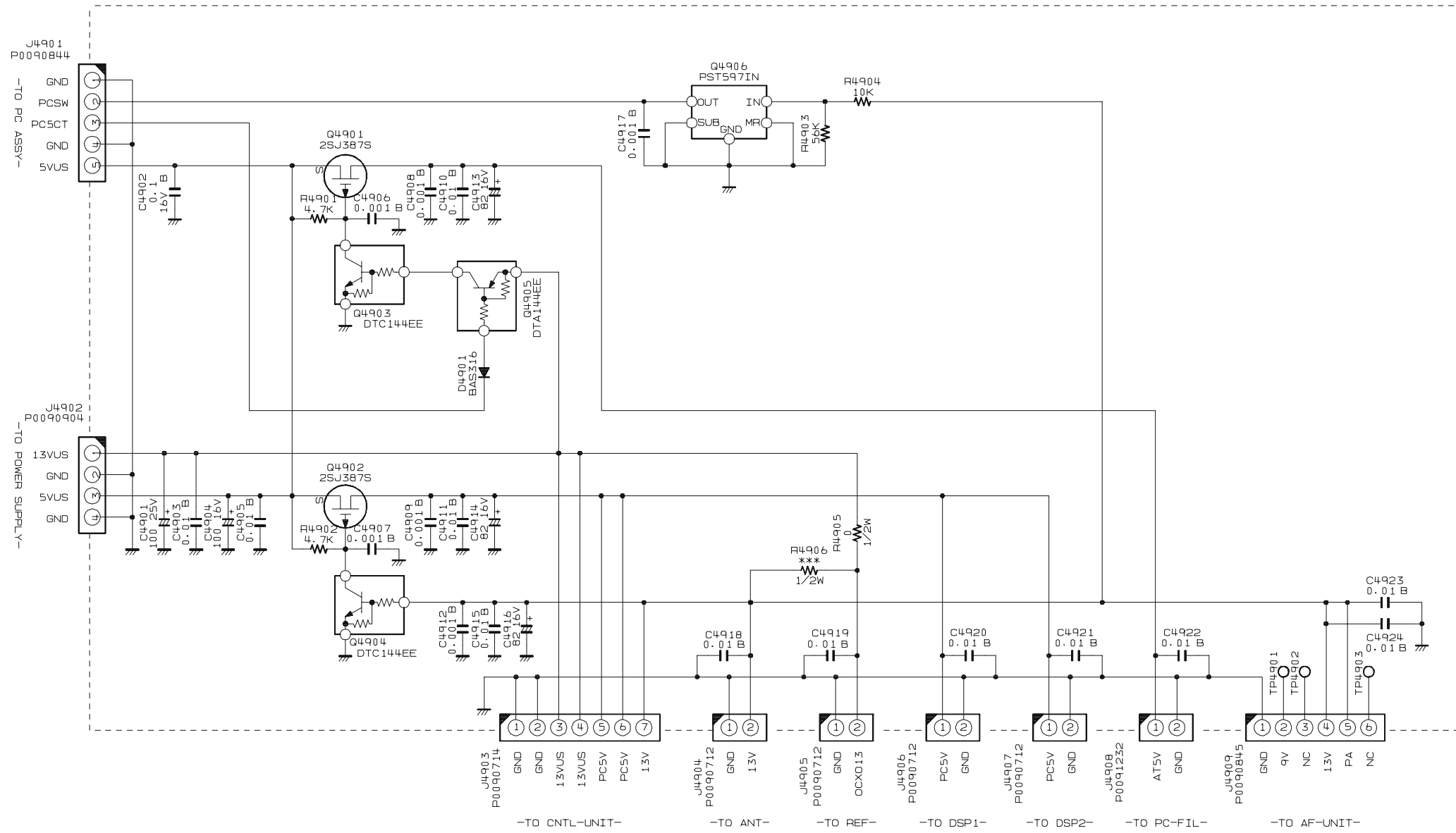
REF	DESCRIPTION	VALUE	V/W	TOL.	MFR'S DESIG	VXSTD P/N	VERS.	LOT	SIDE	LAY ADR
R 4106	CHIP RES.	270	1/16W	5%	RMC1/16 271JATP	J24185271		1-	A	C6
R 4107	CHIP RES.	10k	1/16W	5%	RMC1/16 103JATP	J24185103		1-	A	D6
R 4108	CHIP RES.	2.2k	1/2W	5%	RMC1/2 222JCTP	J24275222		1-	A	A5
R 4109	CHIP RES.	47k	1/16W	5%	RMC1/16 473JATP	J24185473		1-	A	A6
R 4110	CHIP RES.	330	1W	5%	RMC1 331JTE	J24305331		1-	A	A5
R 4110	CHIP RES.	560	1W	5%	RMC1 561JTE	J24305561		4-	A	A5
R 4111	CHIP RES.	330	1W	5%	RMC1 331JTE	J24305331		1-	A	A5
R 4111	CHIP RES.	560	1W	5%	RMC1 561JTE	J24305561		4-	A	A5
R 4112	CHIP RES.	0	1/16W	5%	RMC1/16 000JATP	J24185000		1-	A	A6
R 4113	CHIP RES.	1.2k	1/16W	5%	RMC1/16 122JATP	J24185122		1-	A	D5
R 4114	CHIP RES.	10k	1/16W	5%	RMC1/16 103JATP	J24185103		1-	A	D6
R 4115	CHIP RES.	4.7k	1/16W	5%	RMC1/16 472JATP	J24185472		1-	A	D6
R 4116	CHIP RES.	10k	1/16W	5%	RMC1/16 103JATP	J24185103		1-	A	D6
R 4117	CHIP RES.	10k	1/16W	5%	RMC1/16 103JATP	J24185103		1-	A	D6
R 4118	CHIP RES.	10k	1/16W	5%	RMC1/16 103JATP	J24185103		1-	A	D6
R 4119	CHIP RES.	10k	1/16W	5%	RMC1/16 103JATP	J24185103		1-	A	D6
R 4120	CHIP RES.	470	1/16W	5%	RMC1/16 471JATP	J24185471		1-	A	A4
R 4121	CHIP RES.	470k	1/16W	5%	RMC1/16 474JATP	J24185474		1-	A	D6
R 4122	CHIP RES.	1k	1/16W	5%	RMC1/16 102JATP	J24185102		1-	A	C7
R 4123	CHIP RES.	470k	1/16W	5%	RMC1/16 474JATP	J24185474		1-	A	D6
R 4124	CHIP RES.	15	1W	5%	RMC1 150JTE	J24305150		1-	A	D6
R 4125	CHIP RES.	15	1W	5%	RMC1 150JTE	J24305150		1-	A	D6
R 4126	CHIP RES.	15	1W	5%	RMC1 150JTE	J24305150		1-	A	D6
R 4127	CHIP RES.	1k	1/16W	0.5%	RR0510P-102-D	J24189119		1-	A	A5
R 4128	CHIP RES.	18k	1/16W	0.5%	RR0510R-183-D	J24189149		1-	A	A5
R 4129	CHIP RES.	10	1/16W	5%	RMC1/16 100JATP	J24185100		1-	A	A7
R 4130	CHIP RES.	220	1/16W	5%	RMC1/16 221JATP	J24185221		1-	A	D5
R 4131	CHIP RES.	4.7k	1/10W	5%	RMC1/10T 472J	J24205472		1-	A	A4
R 4132	CHIP RES.	560	1W	5%	RMC1 561JTE	J24305561		4-	A	A5
RL4001	RELAY		DC12V		AJQ6341 DC12V	M1190144		1-	A	I1
RL4002	RELAY		DC12V		AJQ6341 DC12V	M1190144		1-	A	G1
RL4003	RELAY		DC12V		AJQ6341 DC12V	M1190144		1-	A	F1
RL4004	RELAY		DC12V		AJQ6341 DC12V	M1190144		1-	A	J1
RL4005	RELAY		DC12V		AJQ6341 DC12V	M1190144		1-	A	H1
RL4006	RELAY		DC12V		AJQ6341 DC12V	M1190144		1-	A	G1
RL4007	RELAY		DC12V		FTR-H1CA012V DC12V	M1190148		1-	A	E1
RL4008	RELAY		DC12V		AJQ6341 DC12V	M1190144		1-	A	H6
RL4009	RELAY		DC12V		AJQ6341 DC12V	M1190144		1-	A	G6
RL4010	RELAY		DC12V		AJQ6341 DC12V	M1190144		1-	A	E6
RL4011	RELAY		DC12V		AJQ6341 DC12V	M1190144		1-	A	I6
RL4012	RELAY		DC12V		AJQ6341 DC12V	M1190144		1-	A	G6
RL4013	RELAY		DC12V		AJQ6341 DC12V	M1190144		1-	A	F6
RL4014	RELAY		DC12V		FTR-H1CA012V DC12V	M1190148		1-	A	E6
RL4015	RELAY		DC12V		AGQ200A12Z DC12V	M1190188		1-	A	A4
RL4016	RELAY		DC12V		G5V-1 DC12V	M1190120		1-	A	C5
RL4017	RELAY		DC12V		G5V-1 DC12V	M1190120		1-	A	D4
S 4001	SLIDE SWITCH				SSSS223-01-A	N6090105		1-	A	B5
S 4002	SLIDE SWITCH				SSSS223-01-A	N6090105		1-	A	D5
T 4002	COIL 10WIDE				1-3 3A6 RIB4X7X5	L0022670		1-	A	C6
T 4003	COIL PWR-WIDE				3A5 RIB10X20X10	L0022773		1-	A	C5
T 4004	COIL PWR-WIDE				D12A TR16	L0022068		1-	A	B3
T 4005	COIL PWR-WIDE				D12A RIB21	L0022413		1-	A	C2
T 4005	COIL PWR-WIDE				D12A RIB21X42X40	L0022413A		4-	A	C2
VR4001	POT.	4.7k			EVN-5ESX50BQ3	J51811472		1-	A	B5
VR4002	POT.	470			EVN-5ESX50BQ2	J51811471		1-	A	B5
VR4003	POT.	470			EVN-5ESX50BQ2	J51811471		1-	A	A5
VR4004	POT.	470			EVN-5ESX50BQ2	J51811471		1-	A	D5
VR4005	POT.	470			EVN-5ESX50BQ2	J51811471		1-	A	D5
VR4006	POT.	4.7k			EVN-5ESX50BQ3	J51811472		1-	A	B7
	LEAF SPRING					R0140030		1-		

## *PA-A Unit (MP Type)*

*Note*



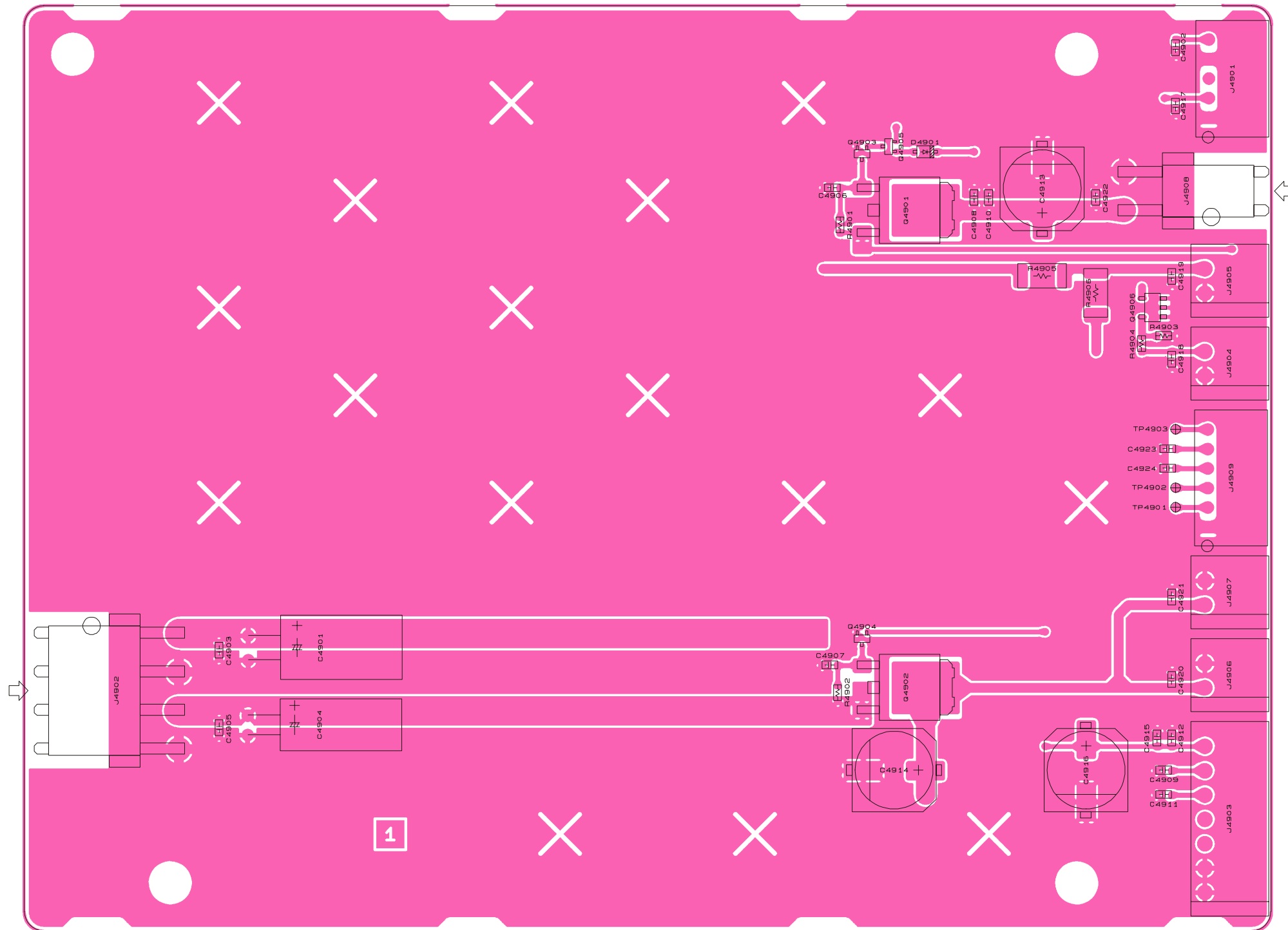
**PS Unit (MP Type)**  
**Circuit Diagram**



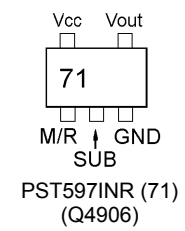
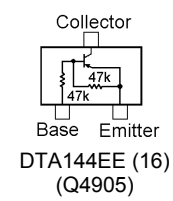
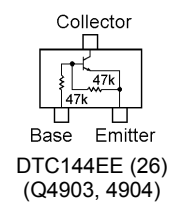
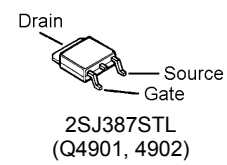
***PS Unit (MP Type)***

*Note*

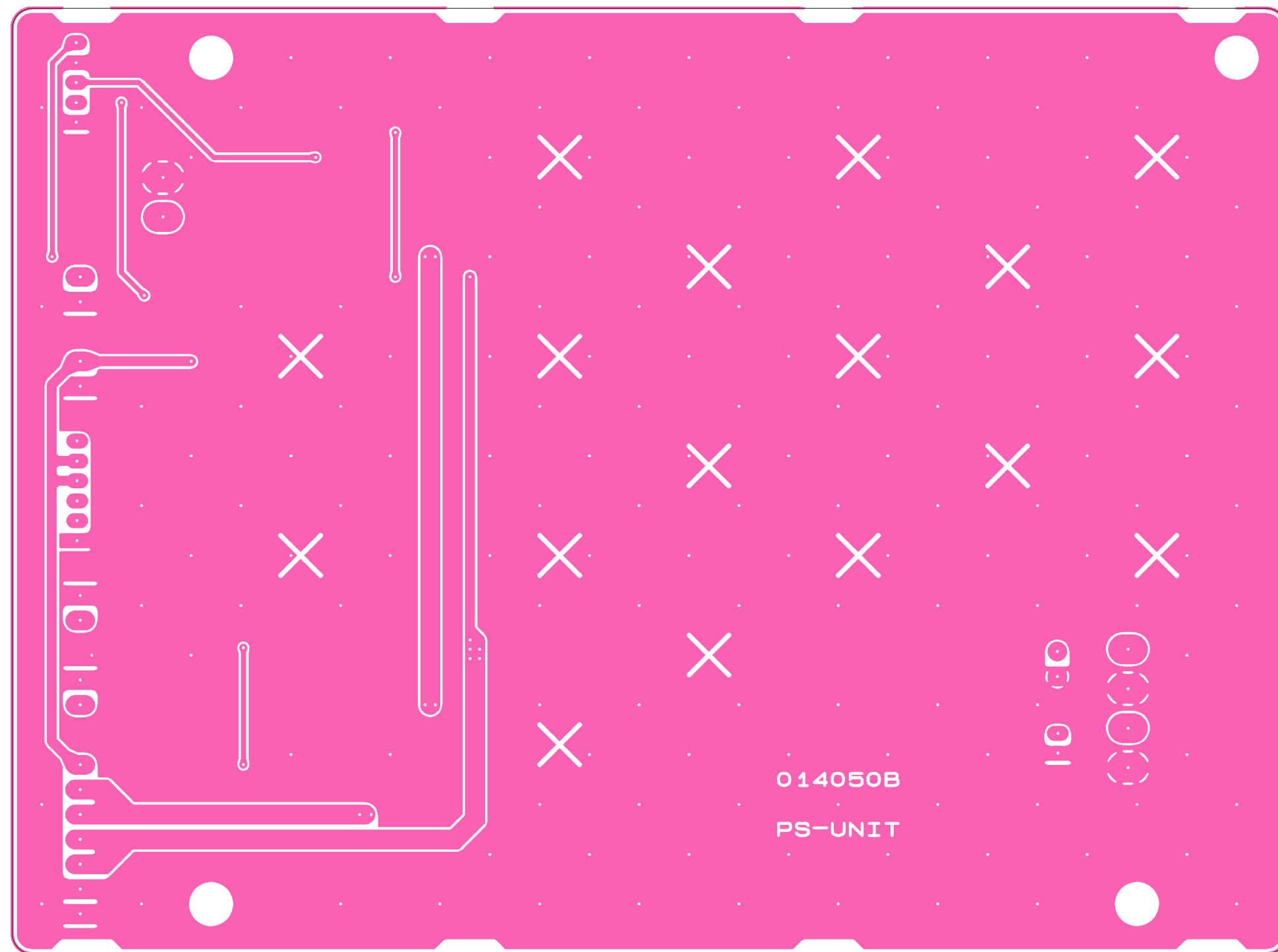
**PS Unit (MP Type)**  
**Parts Layout**



Side A



*PS Unit (MP Type)*



Side B

# PS Unit (MP Type)

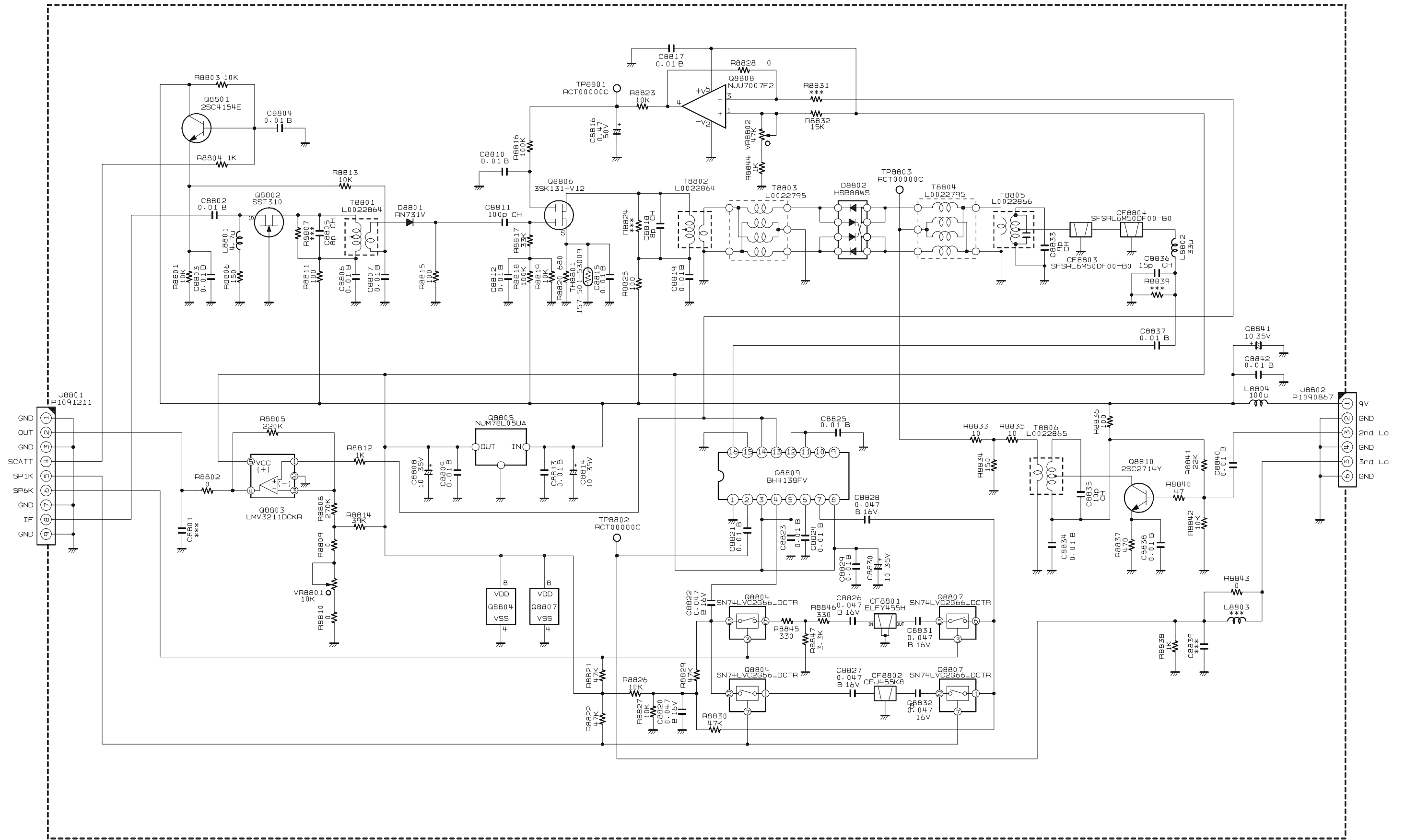
## Parts List

REF	DESCRIPTION	VALUE	V/W	TOL.	MFR'S DESIG	VXSTD P/N	VERS.	LOT	SIDE	LAY ADR
PCB with Components						CB2263001				
Printed Circuit Board						FR014050B		4-		
C 4901	AL.ELECTRO.CAP.	100uF	25V		RE2-25V101MMA	K40149028		1-	A	A2
C 4902	CHIP CAP.	0.1uF	16V	B	GRM188B11C104KA01D	K22124805		1-	A	D1
C 4903	CHIP CAP.	0.01uF	50V	B	GRM188B11H103KA01D	K22174823		1-	A	A2
C 4904	AL.ELECTRO.CAP.	100uF	16V		RE3-16V101M 100UF	K40129063		1-	A	A3
C 4905	CHIP CAP.	0.01uF	50V	B	GRM188B11H103KA01D	K22174823		1-	A	A3
C 4906	CHIP CAP.	0.001uF	50V	B	GRM188B11H102KA01D	K22174809		1-	A	C1
C 4907	CHIP CAP.	0.001uF	50V	B	GRM188B11H102KA01D	K22174809		1-	A	C2
C 4908	CHIP CAP.	0.001uF	50V	B	GRM188B11H102KA01D	K22174809		1-	A	D1
C 4909	CHIP CAP.	0.001uF	50V	B	GRM188B11H102KA01D	K22174809		1-	A	D3
C 4910	CHIP CAP.	0.01uF	50V	B	GRM188B11H103KA01D	K22174823		1-	A	D1
C 4911	CHIP CAP.	0.01uF	50V	B	GRM188B11H103KA01D	K22174823		1-	A	D3
C 4912	CHIP CAP.	0.001uF	50V	B	GRM188B11H102KA01D	K22174809		1-	A	D3
C 4913	AL.ELECTRO.CAP.	82uF	16V		PXA16VC82MH70	K48120022		1-	A	D1
C 4914	AL.ELECTRO.CAP.	82uF	16V		PXA16VC82MH70	K48120022		1-	A	C3
C 4915	CHIP CAP.	0.01uF	50V	B	GRM188B11H103KA01D	K22174823		1-	A	D3
C 4916	AL.ELECTRO.CAP.	82uF	16V		PXA16VC82MH70	K48120022		1-	A	D3
C 4917	CHIP CAP.	0.001uF	50V	B	GRM188B11H102KA01D	K22174809		1-	A	D1
C 4918	CHIP CAP.	0.01uF	50V	B	GRM188B11H103KA01D	K22174823		1-	A	D1
C 4919	CHIP CAP.	0.01uF	50V	B	GRM188B11H103KA01D	K22174823		1-	A	D1
C 4920	CHIP CAP.	0.01uF	50V	B	GRM188B11H103KA01D	K22174823		1-	A	D2
C 4921	CHIP CAP.	0.01uF	50V	B	GRM188B11H103KA01D	K22174823		1-	A	D2
C 4922	CHIP CAP.	0.01uF	50V	B	GRM188B11H103KA01D	K22174823		1-	A	D1
C 4923	CHIP CAP.	0.01uF	50V	B	GRM188B11H103KA01D	K22174823		1-	A	D2
C 4924	CHIP CAP.	0.01uF	50V	B	GRM188B11H103KA01D	K22174823		1-	A	D2
D 4901	DIODE				BAS316	G2070716		1-	A	D1
J 4901	CONNECTOR				SB20-05WL	P0090844		1-	A	E1
J 4902	CONNECTOR				B4PS-VH(LF)(SN)	P0090904		1-	A	A2
J 4903	CONNECTOR				SC25-07WL	P0090714		1-	A	E3
J 4904	CONNECTOR				SC25-02WL	P0090712		1-	A	E1
J 4905	CONNECTOR				SC25-02WL	P0090712		1-	A	E1
J 4906	CONNECTOR				SC25-02WL	P0090712		1-	A	E2
J 4907	CONNECTOR				SC25-02WL	P0090712		1-	A	E2
J 4908	CONNECTOR				B2PS-VH(LF)(SN)	P0091232		1-	A	D1
J 4909	CONNECTOR				SB20-06WL	P0090845		1-	A	E2
Q 4901	FET				2SJ387STL	G3703878		1-	A	D1
Q 4902	FET				2SJ387STL	G3703878		1-	A	D2
Q 4903	TRANSISTOR				DTC144EE TL	G3070075		1-	A	C1
Q 4904	TRANSISTOR				DTC144EE TL	G3070075		1-	A	C2
Q 4905	TRANSISTOR				DTA144EE TL	G3070074		1-	A	C1
Q 4906	IC				PST5971NR	G1093857		1-	A	D1
R 4901	CHIP RES.	4.7k	1/16W	5%	RMC1/16 472JATP	J24185472		1-	A	C1
R 4902	CHIP RES.	4.7k	1/16W	5%	RMC1/16 472JATP	J24185472		1-	A	C2
R 4903	CHIP RES.	56k	1/16W	5%	RMC1/16 563JATP	J24185563		1-	A	D1
R 4904	CHIP RES.	10k	1/16W	5%	RMC1/16 103JATP	J24185103		1-	A	D1
R 4905	CHIP RES.	0	1/2W	5%	RMC1/2 JPATE	J24275000		1-	A	D1

# *PS Unit (MP Type)*

*Note*

# SCP-1 Unit Circuit Diagram



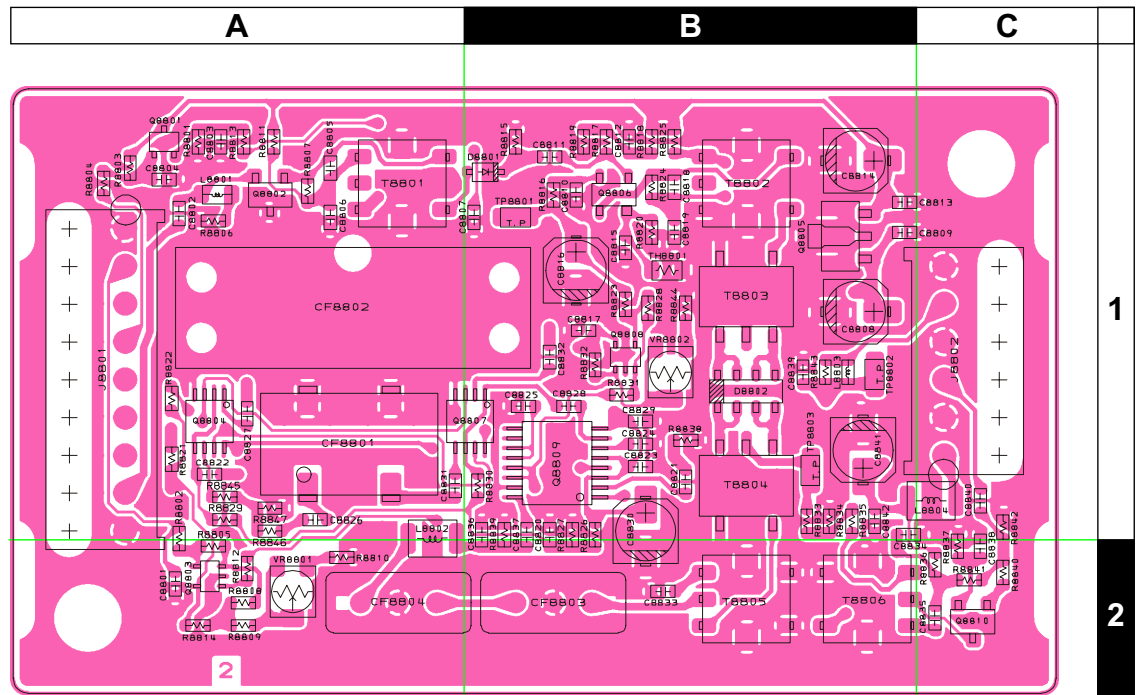
## *SCP-1 Unit*

*Note*

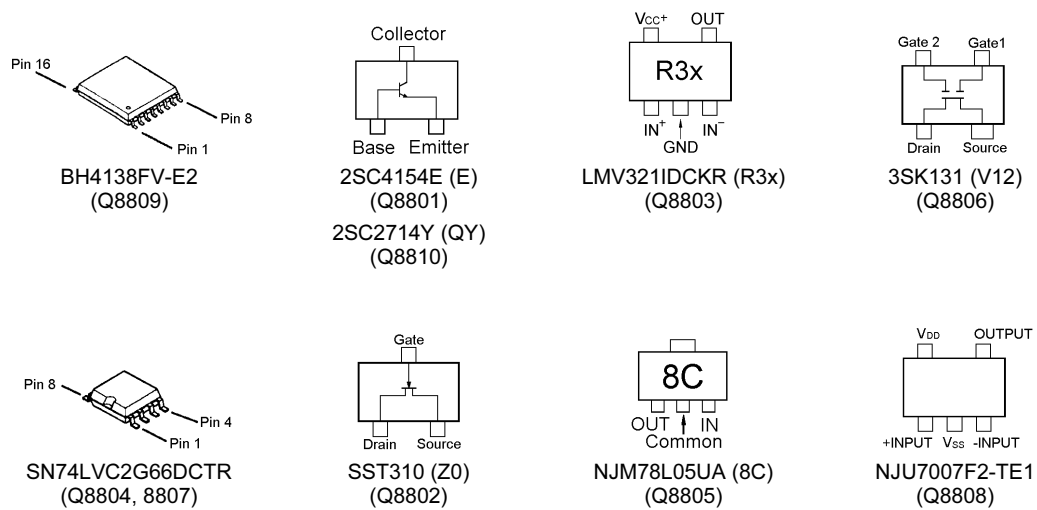


# SCP-1 Unit

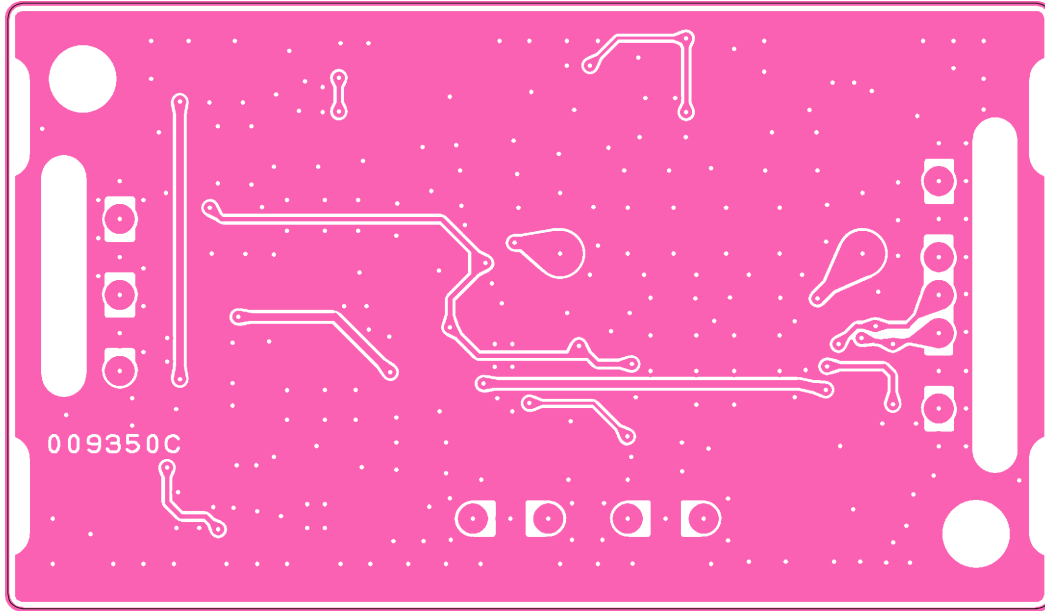
## Parts Layout



Side A



# SCP-1 Unit



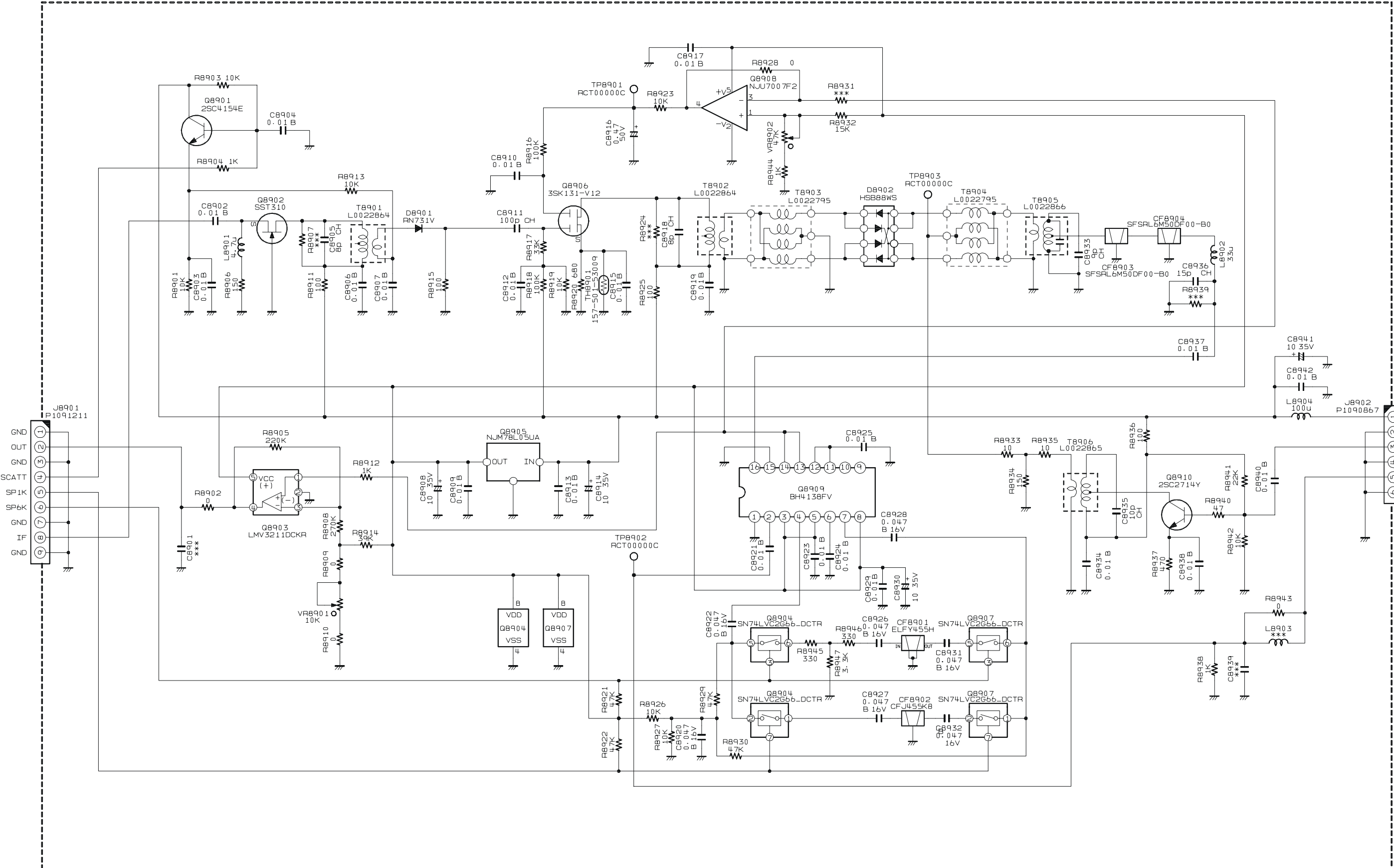
Side B

Parts List

REF	DESCRIPTION	VALUE	V/W	TOL.	MFR'S DESIG	VXSTD P/N	VERS.	LOT	SIDE	LAY ADR	
PCB with Components						CB2334001					
Printed Circuit Board						FR0093500			1-		
C 8802	CHIP CAP.	0.01uF	50V	B	GRM188B11H103KA01D	K22174823		1-	A	A1	
C 8803	CHIP CAP.	0.01uF	50V	B	GRM188B11H103KA01D	K22174823		1-	A	A1	
C 8804	CHIP CAP.	0.01uF	50V	B	GRM188B11H103KA01D	K22174823		1-	A	A1	
C 8805	CHIP CAP.	8pF	50V	CH	GRM1882C1H8R0DZ01D	K22174209		1-	A	A1	
C 8806	CHIP CAP.	0.01uF	50V	B	GRM188B11H103KA01D	K22174823		1-	A	A1	
C 8807	CHIP CAP.	0.01uF	50V	B	GRM188B11H103KA01D	K22174823		1-	A	B1	
C 8808	AL.ELECTRO.CAP.	10uF	35V		ECEV1VA100WR	K48160004		1-	A	B1	
C 8809	CHIP CAP.	0.01uF	50V	B	GRM188B11H103KA01D	K22174823		1-	A	B1	
C 8810	CHIP CAP.	0.01uF	50V	B	GRM188B11H103KA01D	K22174823		1-	A	B1	
C 8811	CHIP CAP.	100pF	50V	CH	GRM1882C1H101JA01D	K22174235		1-	A	B1	
C 8812	CHIP CAP.	0.01uF	50V	B	GRM188B11H103KA01D	K22174823		1-	A	B1	
C 8813	CHIP CAP.	0.01uF	50V	B	GRM188B11H103KA01D	K22174823		1-	A	B1	
C 8814	AL.ELECTRO.CAP.	10uF	35V		ECEV1VA100WR	K48160004		1-	A	B1	
C 8815	CHIP CAP.	0.01uF	50V	B	GRM188B11H103KA01D	K22174823		1-	A	B1	
C 8816	AL.ELECTRO.CAP.	0.47uF	50V		ECEV1HAR47SR	K48170013		1-	A	B1	
C 8817	CHIP CAP.	0.01uF	50V	B	GRM188B11H103KA01D	K22174823		1-	A	B1	
C 8818	CHIP CAP.	8pF	50V	CH	GRM1882C1H8R0DZ01D	K22174209		1-	A	B1	
C 8819	CHIP CAP.	0.01uF	50V	B	GRM188B11H103KA01D	K22174823		1-	A	B1	
C 8820	CHIP CAP.	0.047uF	16V	B	GRM39B473K16PT	K22124804		1-	A	B1	
C 8821	CHIP CAP.	0.01uF	50V	B	GRM188B11H103KA01D	K22174823		1-	A	B1	
C 8822	CHIP CAP.	0.047uF	16V	B	GRM39B473K16PT	K22124804		1-	A	A1	
C 8823	CHIP CAP.	0.01uF	50V	B	GRM188B11H103KA01D	K22174823		1-	A	B1	
C 8824	CHIP CAP.	0.01uF	50V	B	GRM188B11H103KA01D	K22174823		1-	A	B1	
C 8825	CHIP CAP.	0.01uF	50V	B	GRM188B11H103KA01D	K22174823		1-	A	B1	
C 8826	CHIP CAP.	0.047uF	16V	B	GRM39B473K16PT	K22124804		1-	A	A1	
C 8827	CHIP CAP.	0.047uF	16V	B	GRM39B473K16PT	K22124804		1-	A	A1	
C 8828	CHIP CAP.	0.047uF	16V	B	GRM39B473K16PT	K22124804		1-	A	B1	
C 8829	CHIP CAP.	0.01uF	50V	B	GRM188B11H103KA01D	K22174823		1-	A	B1	
C 8830	AL.ELECTRO.CAP.	10uF	35V		ECEV1VA100WR	K48160004		1-	A	B1	
C 8831	CHIP CAP.	0.047uF	16V	B	GRM39B473K16PT	K22124804		1-	A	A1	
C 8832	CHIP CAP.	0.047uF	16V	B	GRM39B473K16PT	K22124804		1-	A	B1	
C 8833	CHIP CAP.	9pF	50V	CH	GRM1882C1H9R0DZ01D	K22174210		1-	A	B2	
C 8834	CHIP CAP.	0.01uF	50V	B	GRM188B11H103KA01D	K22174823		1-	A	B1	
C 8835	CHIP CAP.	10pF	50V	CH	GRM1882C1H100JA01D	K22174211		1-	A	C2	
C 8836	CHIP CAP.	15pF	50V	CH	GRM1882C1H150JA01D	K22174215		1-	A	B1	
C 8837	CHIP CAP.	0.01uF	50V	B	GRM188B11H103KA01D	K22174823		1-	A	B1	
C 8838	CHIP CAP.	0.01uF	50V	B	GRM188B11H103KA01D	K22174823		1-	A	C2	
C 8840	CHIP CAP.	0.01uF	50V	B	GRM188B11H103KA01D	K22174823		1-	A	C1	
C 8841	AL.ELECTRO.CAP.	10uF	35V		ECEV1VA100WR	K48160004		1-	A	B1	
C 8842	CHIP CAP.	0.01uF	50V	B	GRM188B11H103KA01D	K22174823		1-	A	B1	
CF8801	CERAMIC FILTER				ELFY455H	H3900548		1-	A	A1	
CF8802	CERAMIC FILTER				CFJ455K8	H3900553		1-	A	A1	
CF8803	CERAMIC FILTER				SFSRA6M50DF00-B0	H3900560		1-	A	B2	
CF8804	CERAMIC FILTER				SFSRA6M50DF00-B0	H3900560		1-	A	A2	
D 8801	DIODE				RN731V TE-17	G2070898		1-	A	B1	
D 8802	DIODE				HSB88WSTR	G2070290		1-	A	B1	
J 8801	CONNECTOR				IMSA-9133S-09D	P1091211		1-	A	A1	
J 8802	CONNECTOR				IMSA-9133S-06D	P1090867		1-	A	C1	
L 8801	M.RFC	4.7uH			LK2125 4R7K-T	L1690327		1-	A	A1	
L 8802	M.RFC	33uH			LLM3225-330J	L1691139		1-	A	A1	
L 8804	M.RFC	100uH			LLM3225-101J	L1691145		1-	A	C1	
Q 8801	TRANSISTOR				2SC4154-T11-1E	G3341548E		1-	A	A1	
Q 8802	FET				SST310-T1	G4070009		1-	A	A1	
Q 8803	IC				LMV321IDCKR	G1093969		1-	A	A2	
Q 8804	IC				SN74LVC2G66DCTR	G1094049		1-	A	A1	
Q 8805	IC				NJM78L05UA-TE1	G1091325		1-	A	B1	
Q 8806	FET				3SK131-T2B V12	G4801317B		1-	A	B1	
Q 8807	IC				SN74LVC2G66DCTR	G1094049		1-	A	B1	
Q 8808	IC				NJU7007F2-TE1	G1093617		1-	A	B1	
Q 8809	IC				BH4138FV-E2	G1093713		1-	A	B1	
Q 8810	TRANSISTOR				2SC2714YTE85R	G3327147Y		1-	A	C2	
R 8801	CHIP RES.	10k	1/16W	5%	RMC1/16 103JATP	J24185103		1-	A	A1	
R 8802	CHIP RES.	0	1/16W	5%	RMC1/16 000JATP	J24185000		1-	A	A1	
R 8803	CHIP RES.	10k	1/16W	5%	RMC1/16 103JATP	J24185103		1-	A	A1	
R 8804	CHIP RES.	1k	1/16W	5%	RMC1/16 102JATP	J24185102		1-	A	A1	
R 8805	CHIP RES.	220k	1/16W	5%	RMC1/16 224JATP	J24185224		1-	A	A2	
R 8806	CHIP RES.	150	1/16W	5%	RMC1/16 151JATP	J24185151		1-	A	A1	
R 8808	CHIP RES.	270k	1/16W	5%	RMC1/16 274JATP	J24185274		1-	A	A2	
R 8809	CHIP RES.	0	1/16W	5%	RMC1/16 000JATP	J24185000		1-	A	A2	
R 8810	CHIP RES.	0	1/16W	5%	RMC1/16 000JATP	J24185000		1-	A	A2	
R 8811	CHIP RES.	100	1/16W	5%	RMC1/16 101JATP	J24185101		1-	A	A1	
R 8812	CHIP RES.	1k	1/16W	5%	RMC1/16 102JATP	J24185102		1-	A	A2	

# SCP-1 Unit

REF	DESCRIPTION	VALUE	V/W	TOL.	MFR'S DESIG	VXSTD P/N	VERS.	LOT	SIDE	LAY ADR
R 8813	CHIP RES.	10k	1/16W	5%	RMC1/16 103JATP	J24185103		1-	A	A1
R 8814	CHIP RES.	39k	1/16W	5%	RMC1/16 393JATP	J24185393		1-	A	A2
R 8815	CHIP RES.	100	1/16W	5%	RMC1/16 101JATP	J24185101		1-	A	B1
R 8816	CHIP RES.	100k	1/16W	5%	RMC1/16 104JATP	J24185104		1-	A	B1
R 8817	CHIP RES.	33k	1/16W	5%	RMC1/16 333JATP	J24185333		1-	A	B1
R 8818	CHIP RES.	100k	1/16W	5%	RMC1/16 104JATP	J24185104		1-	A	B1
R 8819	CHIP RES.	10k	1/16W	5%	RMC1/16 103JATP	J24185103		1-	A	B1
R 8820	CHIP RES.	680	1/16W	5%	RMC1/16 681JATP	J24185681		1-	A	B1
R 8821	CHIP RES.	47k	1/16W	5%	RMC1/16 473JATP	J24185473		1-	A	A1
R 8822	CHIP RES.	47k	1/16W	5%	RMC1/16 473JATP	J24185473		1-	A	A1
R 8823	CHIP RES.	10k	1/16W	5%	RMC1/16 103JATP	J24185103		1-	A	B1
R 8825	CHIP RES.	100	1/16W	5%	RMC1/16 101JATP	J24185101		1-	A	B1
R 8826	CHIP RES.	10k	1/16W	5%	RMC1/16 103JATP	J24185103		1-	A	B1
R 8827	CHIP RES.	10k	1/16W	5%	RMC1/16 103JATP	J24185103		1-	A	B1
R 8828	CHIP RES.	0	1/16W	5%	RMC1/16 000JATP	J24185000		1-	A	B1
R 8829	CHIP RES.	47k	1/16W	5%	RMC1/16 473JATP	J24185473		1-	A	A1
R 8830	CHIP RES.	47k	1/16W	5%	RMC1/16 473JATP	J24185473		1-	A	B1
R 8832	CHIP RES.	15k	1/16W	5%	RMC1/16 153JATP	J24185153		1-	A	B1
R 8833	CHIP RES.	10	1/16W	5%	RMC1/16 100JATP	J24185100		1-	A	B1
R 8834	CHIP RES.	150	1/16W	5%	RMC1/16 151JATP	J24185151		1-	A	B1
R 8835	CHIP RES.	10	1/16W	5%	RMC1/16 100JATP	J24185100		1-	A	B1
R 8836	CHIP RES.	100	1/16W	5%	RMC1/16 101JATP	J24185101		1-	A	C2
R 8837	CHIP RES.	470	1/16W	5%	RMC1/16 471JATP	J24185471		1-	A	C2
R 8838	CHIP RES.	1k	1/16W	5%	RMC1/16 102JATP	J24185102		1-	A	B1
R 8840	CHIP RES.	47	1/16W	5%	RMC1/16 470JATP	J24185470		1-	A	C2
R 8841	CHIP RES.	22k	1/16W	5%	RMC1/16 223JATP	J24185223		1-	A	C2
R 8842	CHIP RES.	10k	1/16W	5%	RMC1/16 103JATP	J24185103		1-	A	C1
R 8843	CHIP RES.	0	1/16W	5%	RMC1/16 000JATP	J24185000		1-	A	B1
R 8844	CHIP RES.	1k	1/16W	5%	RMC1/16 102JATP	J24185102		1-	A	B1
R 8845	CHIP RES.	330	1/16W	5%	RMC1/16 331JATP	J24185331		1-	A	A1
R 8846	CHIP RES.	330	1/16W	5%	RMC1/16 331JATP	J24185331		1-	A	A1
R 8847	CHIP RES.	3.3k	1/16W	5%	RMC1/16 332JATP	J24185332		1-	A	A1
T 8801	COIL 05RF	40.455MHz			40.455MHz	L0022864		1-	A	A1
T 8802	COIL 05RF	40.455MHz			40.455MHz	L0022864		1-	A	B1
T 8803	COIL WIDE-TRANS.				010812305	L0022795		1-	A	B1
T 8804	COIL WIDE-TRANS.				010812305	L0022795		1-	A	B1
T 8805	COIL 05RF	6.5MHz			6.5MHz	L0022866		1-	A	B2
T 8806	COIL 05RF	33.995MHz			33.995MHz	L0022865		1-	A	B2
TH8801	THERMISTOR				157-501-53009TP	G9090058		1-	A	B1
TP8801	CHECK TERMINAL				RCT00000C	Q5000103		1-	A	B1
TP8802	CHECK TERMINAL				RCT00000C	Q5000103		1-	A	B1
TP8803	CHECK TERMINAL				RCT00000C	Q5000103		1-	A	B1
VR8801	POT.	10k			RH03A3A14X 10K	J51807103		1-	A	A2
VR8802	POT.	47k			RH03A3AS4X 47K	J51807473		1-	A	B1

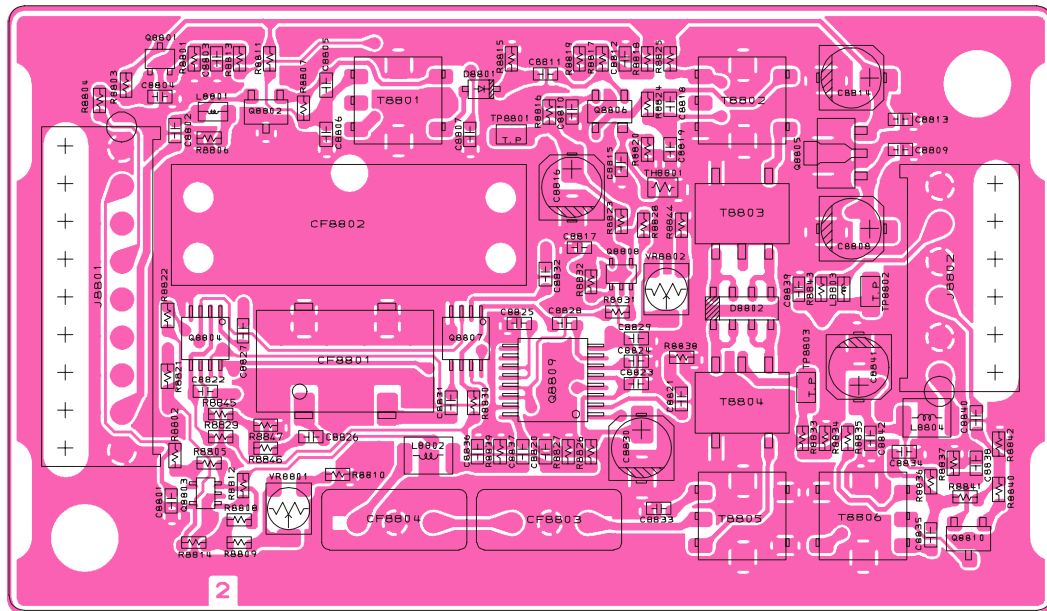


***SCP-2 Unit (D, MP Type, RXU-9000)***

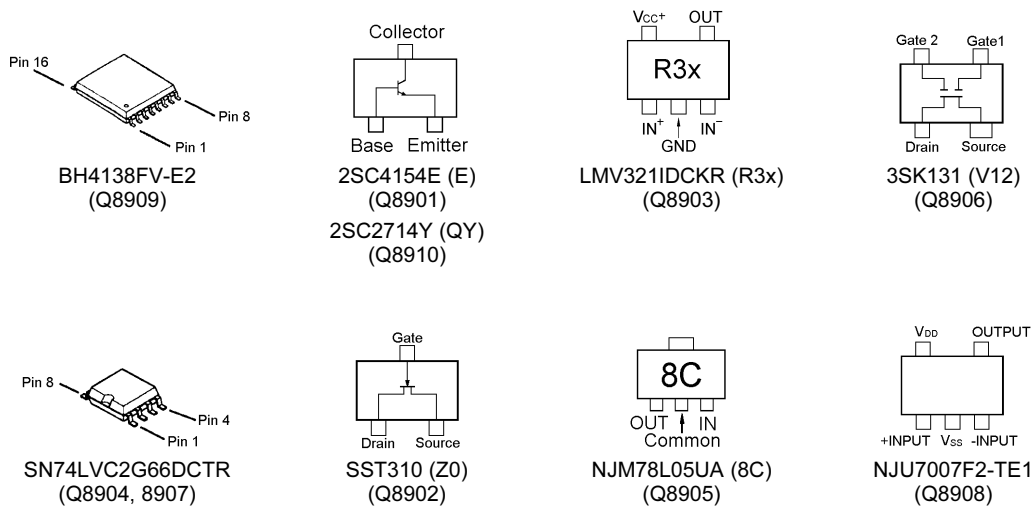
*Note*

# SCP-2 Unit (D, MP Type, RXU-9000)

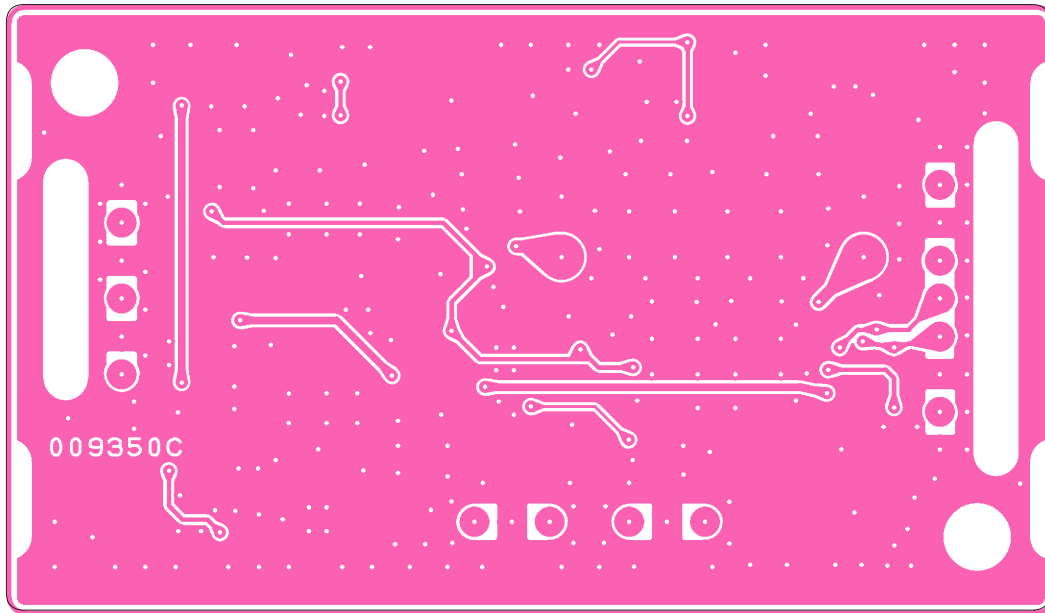
## Parts Layout



Side A



*SCP-2 Unit (D, MP Type, RXU-9000)*



Side B



# SCP-2 Unit (D, MP Type, RXU-9000)

## Parts List

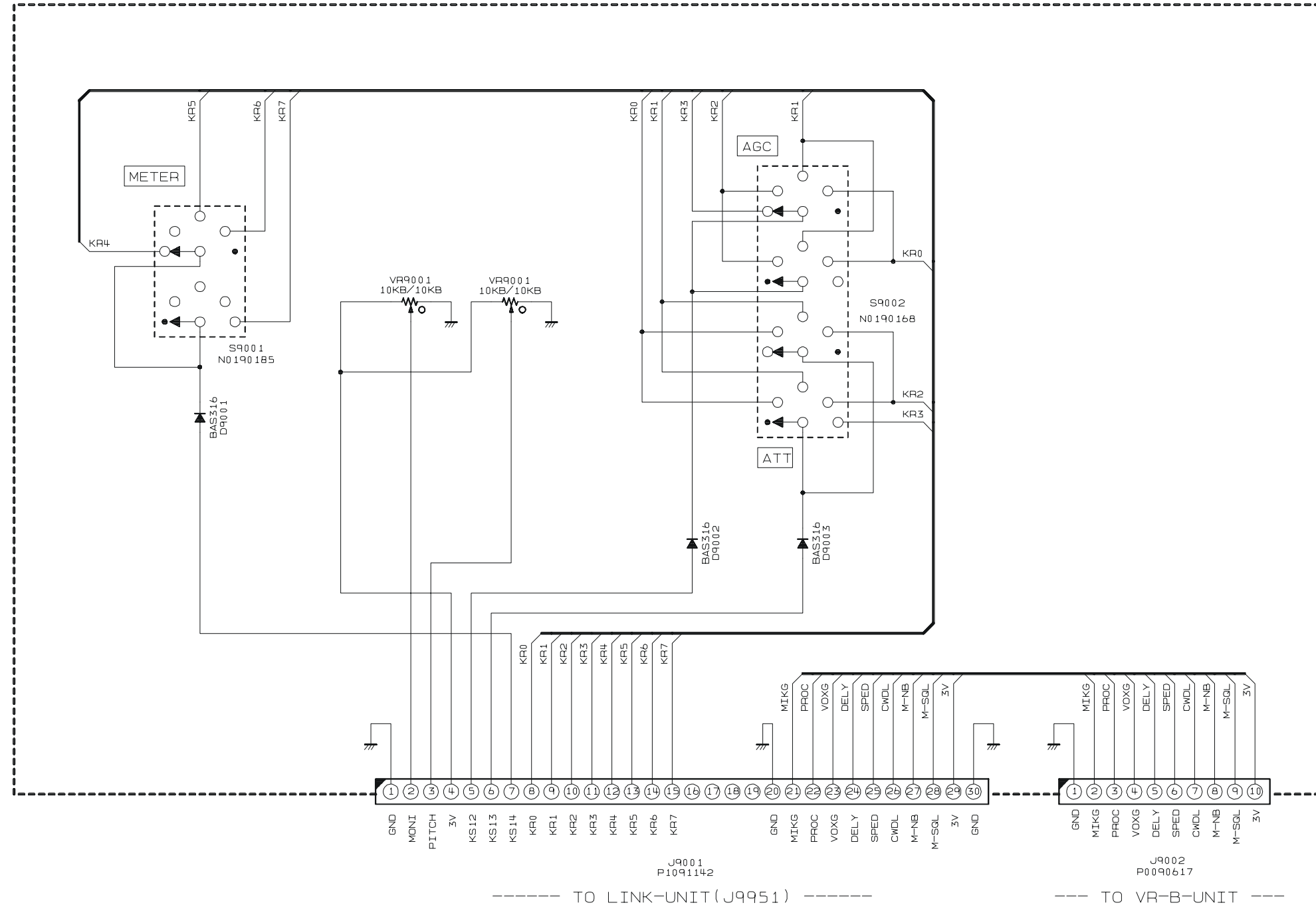
REF	DESCRIPTION	VALUE	V/W	TOL.	MFR'S DESIG	VXSTD P/N	VERS.	LOT	SIDE	LAY ADR
PCB with Components						CB3094001				
	Printed Circuit Board					FR0093500			1-	
C 8902	CHIP CAP.	0.01uF	50V	B	GRM188B11H103KA01D	K22174823			1-	
C 8903	CHIP CAP.	0.01uF	50V	B	GRM188B11H103KA01D	K22174823			1-	
C 8904	CHIP CAP.	0.01uF	50V	B	GRM188B11H103KA01D	K22174823			1-	
C 8905	CHIP CAP.	8pF	50V	CH	GRM1882C1H8R0DZ01D	K22174209			1-	
C 8906	CHIP CAP.	0.01uF	50V	B	GRM188B11H103KA01D	K22174823			1-	
C 8907	CHIP CAP.	0.01uF	50V	B	GRM188B11H103KA01D	K22174823			1-	
C 8908	AL.ELECTRO.CAP.	10uF	35V		ECEV1VA100WR	K48160004			1-	
C 8909	CHIP CAP.	0.01uF	50V	B	GRM188B11H103KA01D	K22174823			1-	
C 8910	CHIP CAP.	0.01uF	50V	B	GRM188B11H103KA01D	K22174823			1-	
C 8911	CHIP CAP.	100pF	50V	CH	GRM1882C1H101JA01D	K22174235			1-	
C 8912	CHIP CAP.	0.01uF	50V	B	GRM188B11H103KA01D	K22174823			1-	
C 8913	CHIP CAP.	0.01uF	50V	B	GRM188B11H103KA01D	K22174823			1-	
C 8914	AL.ELECTRO.CAP.	10uF	35V		ECEV1VA100WR	K48160004			1-	
C 8915	CHIP CAP.	0.01uF	50V	B	GRM188B11H103KA01D	K22174823			1-	
C 8916	AL.ELECTRO.CAP.	0.47uF	50V		ECEV1HAR47SR	K48170013			1-	
C 8917	CHIP CAP.	0.01uF	50V	B	GRM188B11H103KA01D	K22174823			1-	
C 8918	CHIP CAP.	8pF	50V	CH	GRM1882C1H8R0DZ01D	K22174209			1-	
C 8919	CHIP CAP.	0.01uF	50V	B	GRM188B11H103KA01D	K22174823			1-	
C 8920	CHIP CAP.	0.047uF	16V	B	GRM39B473K16PT	K22124804			1-	
C 8921	CHIP CAP.	0.01uF	50V	B	GRM188B11H103KA01D	K22174823			1-	
C 8922	CHIP CAP.	0.047uF	16V	B	GRM39B473K16PT	K22124804			1-	
C 8923	CHIP CAP.	0.01uF	50V	B	GRM188B11H103KA01D	K22174823			1-	
C 8924	CHIP CAP.	0.01uF	50V	B	GRM188B11H103KA01D	K22174823			1-	
C 8925	CHIP CAP.	0.01uF	50V	B	GRM188B11H103KA01D	K22174823			1-	
C 8926	CHIP CAP.	0.047uF	16V	B	GRM39B473K16PT	K22124804			1-	
C 8927	CHIP CAP.	0.047uF	16V	B	GRM39B473K16PT	K22124804			1-	
C 8928	CHIP CAP.	0.047uF	16V	B	GRM39B473K16PT	K22124804			1-	
C 8929	CHIP CAP.	0.01uF	50V	B	GRM188B11H103KA01D	K22174823			1-	
C 8930	AL.ELECTRO.CAP.	10uF	35V		ECEV1VA100WR	K48160004			1-	
C 8931	CHIP CAP.	0.047uF	16V	B	GRM39B473K16PT	K22124804			1-	
C 8932	CHIP CAP.	0.047uF	16V	B	GRM39B473K16PT	K22124804			1-	
C 8933	CHIP CAP.	9pF	50V	CH	GRM1882C1H9R0DZ01D	K22174210			1-	
C 8934	CHIP CAP.	0.01uF	50V	B	GRM188B11H103KA01D	K22174823			1-	
C 8935	CHIP CAP.	10pF	50V	CH	GRM1882C1H100JA01D	K22174211			1-	
C 8936	CHIP CAP.	15pF	50V	CH	GRM1882C1H150JA01D	K22174215			1-	
C 8937	CHIP CAP.	0.01uF	50V	B	GRM188B11H103KA01D	K22174823			1-	
C 8938	CHIP CAP.	0.01uF	50V	B	GRM188B11H103KA01D	K22174823			1-	
C 8940	CHIP CAP.	0.01uF	50V	B	GRM188B11H103KA01D	K22174823			1-	
C 8941	AL.ELECTRO.CAP.	10uF	35V		ECEV1VA100WR	K48160004			1-	
C 8942	CHIP CAP.	0.01uF	50V	B	GRM188B11H103KA01D	K22174823			1-	
CF8901	CERAMIC FILTER				ELFY455H	H3900548			1-	
CF8902	CERAMIC FILTER				CFJ455K8	H3900553			1-	
CF8903	CERAMIC FILTER				SFSRA6M50DF00-B0	H3900560			1-	
CF8904	CERAMIC FILTER				SFSRA6M50DF00-B0	H3900560			1-	
D 8901	DIODE				RN731V TE-17	G2070898			1-	
D 8902	DIODE				HSB88WSTR	G2070290			1-	
J 8901	CONNECTOR				IMSA-9133S-09D	P1091211			1-	
J 8902	CONNECTOR				IMSA-9133S-06D	P1090867			1-	
L 8901	M.RFC	4.7uH			LK2125 4R7K-T	L1690327			1-	
L 8902	M.RFC	33uH			LLM3225-330J	L1691139			1-	
L 8904	M.RFC	100uH			LLM3225-101J	L1691145			1-	
Q 8901	TRANSISTOR				2SC4154-T11-1E	G3341548E			1-	
Q 8902	FET				SST310-T1	G4070009			1-	
Q 8903	IC				LMV321IDCKR	G1093969			1-	
Q 8904	IC				SN74LVC2G66 DCTR	G1094049			1-	
Q 8905	IC				NJM78L05UA-TE1	G1091325			1-	
Q 8906	FET				3SK131-T2B V12	G4801317B			1-	
Q 8907	IC				SN74LVC2G66 DCTR	G1094049			1-	
Q 8908	IC				NJU7007F2-TE1	G1093617			1-	
Q 8909	IC				BH4138FV-E2	G1093713			1-	
Q 8910	TRANSISTOR				2SC2714YTE85R	G3327147Y			1-	
R 8901	CHIP RES.	10k	1/16W	5%	RMC1/16 103JATP	J24185103			1-	
R 8902	CHIP RES.	0	1/16W	5%	RMC1/16 000JATP	J24185000			1-	
R 8903	CHIP RES.	10k	1/16W	5%	RMC1/16 103JATP	J24185103			1-	
R 8904	CHIP RES.	1k	1/16W	5%	RMC1/16 102JATP	J24185102			1-	
R 8905	CHIP RES.	220k	1/16W	5%	RMC1/16 224JATP	J24185224			1-	
R 8906	CHIP RES.	150	1/16W	5%	RMC1/16 151JATP	J24185151			1-	
R 8908	CHIP RES.	270k	1/16W	5%	RMC1/16 274JATP	J24185274			1-	
R 8909	CHIP RES.	0	1/16W	5%	RMC1/16 000JATP	J24185000			1-	
R 8910	CHIP RES.	0	1/16W	5%	RMC1/16 000JATP	J24185000			1-	
R 8911	CHIP RES.	100	1/16W	5%	RMC1/16 101JATP	J24185101			1-	

# SCP-2 Unit (D, MP Type, RXU-9000)

## Parts List

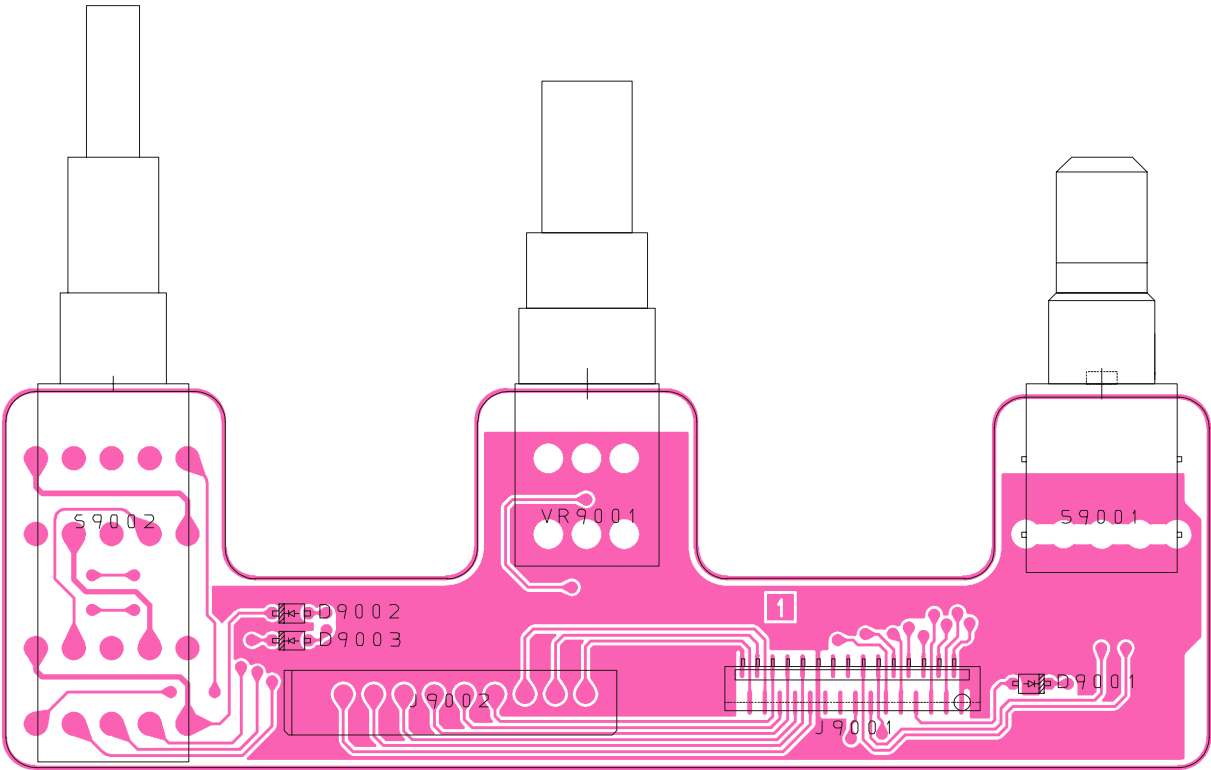
REF	DESCRIPTION	VALUE	V/W	TOL.	MFR'S DESIG	VXSTD P/N	VERS.	LOT	SIDE	LAY ADR
R 8912	CHIP RES.	1k	1/16W	5%	RMC1/16 102JATP	J24185102		1-		
R 8913	CHIP RES.	10k	1/16W	5%	RMC1/16 103JATP	J24185103		1-		
R 8914	CHIP RES.	39k	1/16W	5%	RMC1/16 393JATP	J24185393		1-		
R 8915	CHIP RES.	100	1/16W	5%	RMC1/16 101JATP	J24185101		1-		
R 8916	CHIP RES.	100k	1/16W	5%	RMC1/16 104JATP	J24185104		1-		
R 8917	CHIP RES.	33k	1/16W	5%	RMC1/16 333JATP	J24185333		1-		
R 8918	CHIP RES.	100k	1/16W	5%	RMC1/16 104JATP	J24185104		1-		
R 8919	CHIP RES.	10k	1/16W	5%	RMC1/16 103JATP	J24185103		1-		
R 8920	CHIP RES.	680	1/16W	5%	RMC1/16 681JATP	J24185681		1-		
R 8921	CHIP RES.	47k	1/16W	5%	RMC1/16 473JATP	J24185473		1-		
R 8922	CHIP RES.	47k	1/16W	5%	RMC1/16 473JATP	J24185473		1-		
R 8923	CHIP RES.	10k	1/16W	5%	RMC1/16 103JATP	J24185103		1-		
R 8925	CHIP RES.	100	1/16W	5%	RMC1/16 101JATP	J24185101		1-		
R 8926	CHIP RES.	10k	1/16W	5%	RMC1/16 103JATP	J24185103		1-		
R 8927	CHIP RES.	10k	1/16W	5%	RMC1/16 103JATP	J24185103		1-		
R 8928	CHIP RES.	0	1/16W	5%	RMC1/16 000JATP	J24185000		1-		
R 8929	CHIP RES.	47k	1/16W	5%	RMC1/16 473JATP	J24185473		1-		
R 8930	CHIP RES.	47k	1/16W	5%	RMC1/16 473JATP	J24185473		1-		
R 8932	CHIP RES.	15k	1/16W	5%	RMC1/16 153JATP	J24185153		1-		
R 8933	CHIP RES.	10	1/16W	5%	RMC1/16 100JATP	J24185100		1-		
R 8934	CHIP RES.	150	1/16W	5%	RMC1/16 151JATP	J24185151		1-		
R 8935	CHIP RES.	10	1/16W	5%	RMC1/16 100JATP	J24185100		1-		
R 8936	CHIP RES.	100	1/16W	5%	RMC1/16 101JATP	J24185101		1-		
R 8937	CHIP RES.	470	1/16W	5%	RMC1/16 471JATP	J24185471		1-		
R 8938	CHIP RES.	1k	1/16W	5%	RMC1/16 102JATP	J24185102		1-		
R 8940	CHIP RES.	47	1/16W	5%	RMC1/16 470JATP	J24185470		1-		
R 8941	CHIP RES.	22k	1/16W	5%	RMC1/16 223JATP	J24185223		1-		
R 8942	CHIP RES.	10k	1/16W	5%	RMC1/16 103JATP	J24185103		1-		
R 8943	CHIP RES.	0	1/16W	5%	RMC1/16 000JATP	J24185000		1-		
R 8944	CHIP RES.	1k	1/16W	5%	RMC1/16 102JATP	J24185102		1-		
R 8945	CHIP RES.	330	1/16W	5%	RMC1/16 331JATP	J24185331		1-		
R 8946	CHIP RES.	330	1/16W	5%	RMC1/16 331JATP	J24185331		1-		
R 8947	CHIP RES.	3.3k	1/16W	5%	RMC1/16 332JATP	J24185332		1-		
T 8901	COIL 05RF	40.455MHz			40.455MHz	L0022864		1-		
T 8902	COIL 05RF	40.455MHz			40.455MHz	L0022864		1-		
T 8903	COIL WIDE-TRANS.				010812305	L0022795		1-		
T 8904	COIL WIDE-TRANS.				010812305	L0022795		1-		
T 8905	COIL 05RF	6.5MHz			6.5MHz	L0022866		1-		
T 8906	COIL 05RF	33.995MHz			33.995MHz	L0022865		1-		
TH8901	THERMISTOR				157-501-53009TP	G9090058		1-		
TP8901	CHECK TERMINAL				RCT00000C	Q5000103		1-		
TP8902	CHECK TERMINAL				RCT00000C	Q5000103		1-		
TP8903	CHECK TERMINAL				RCT00000C	Q5000103		1-		
VR8901	POT.	10k			RH03A3A14X 10K	J51807103		1-		
VR8902	POT.	47k			RH03A3AS4X 47K	J51807473		1-		

**VR-A Unit**  
Circuit Diagram

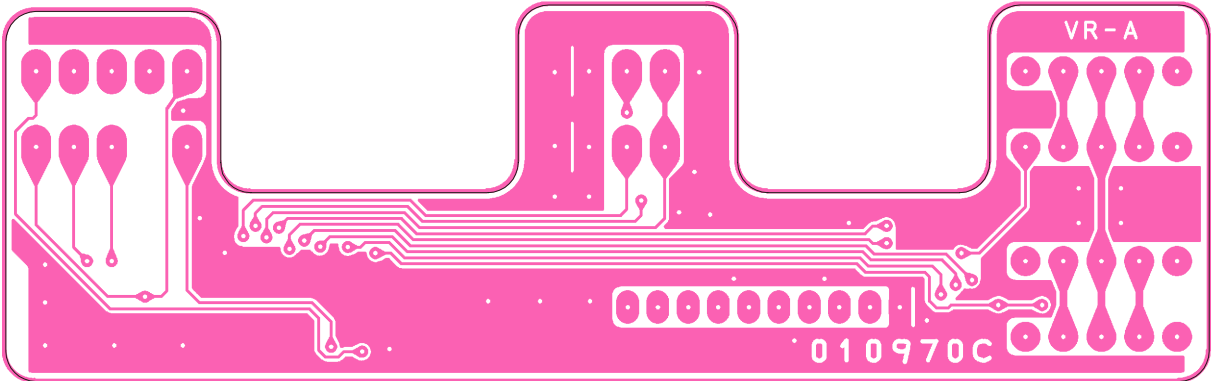


**VR-A Unit**

**Parts Layout**



Side A



Side B

# VR-A Unit

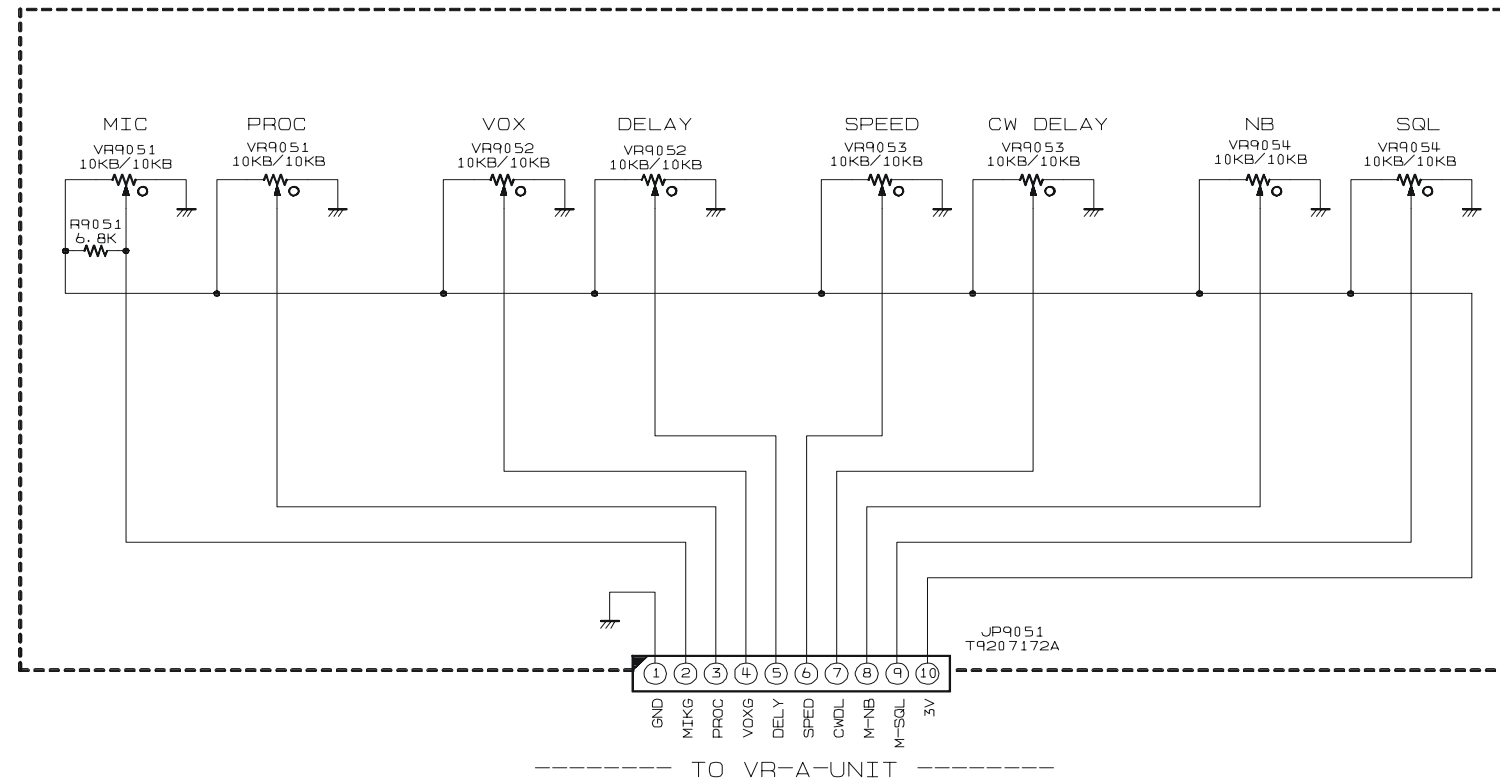
## Parts List

REF	DESCRIPTION	VALUE	V/W	TOL.	MFR'S DESIG	VXSTD P/N	VERS.	LOT	SIDE	LAY ADR
	PCB with Components					CB2598001				
	Printed Circuit Board					FR0109700		1-		
D 9001	DIODE				BAS316	G2070716		1-	A	
D 9002	DIODE				BAS316	G2070716		1-	A	
D 9003	DIODE				BAS316	G2070716		1-	A	
J 9001	CONNECTOR				30FLT-SM1-TB	P1091142		1-	A	
J 9002	CONNECTOR				SB20-10WS	P0090617		1-	A	
S 9001	ROTARY SWITCH				SRBM154002	N0190185		1-	A	
S 9002	ROTARY SWITCH				SRBM25021A	N0190168		1-	A	
VR9001	POT.				RK0972210-F20-C0-B103	J62800143		1-	A	

# *VR-A Unit*

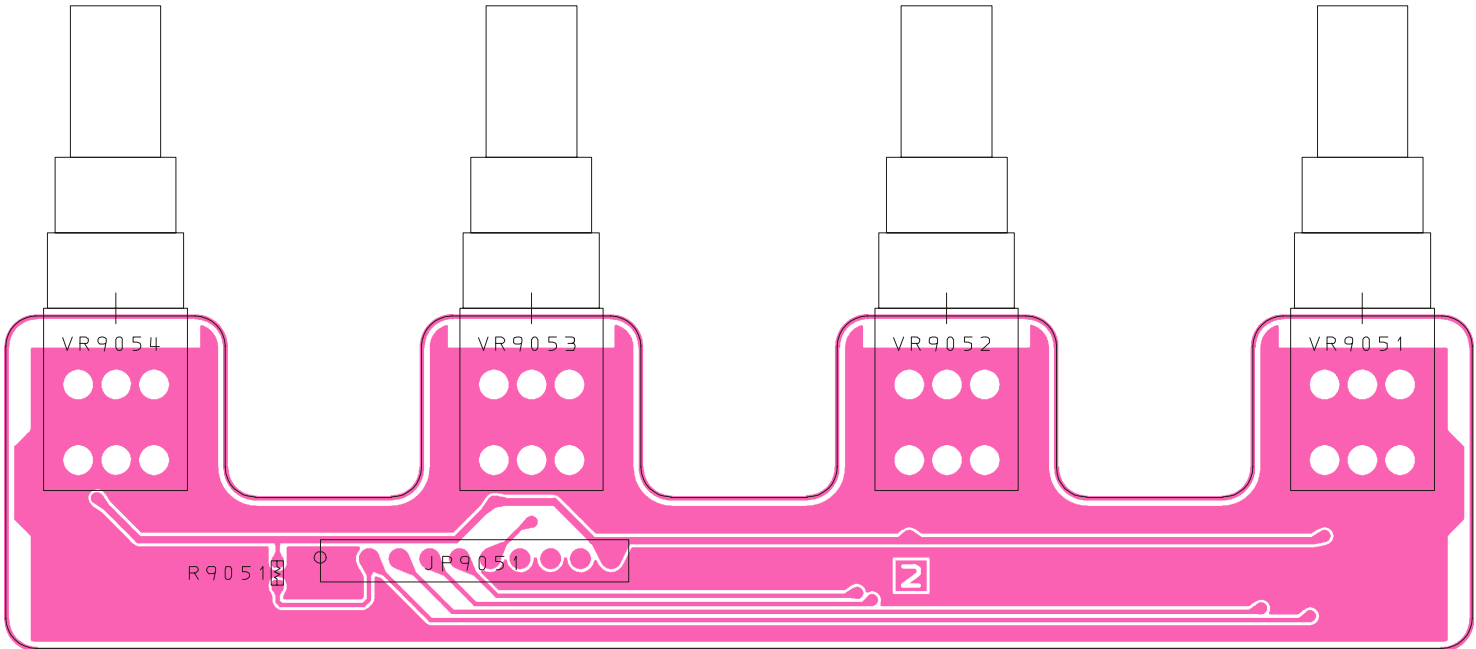
*Note*

**VR-B Unit**  
**Circuit Diagram**

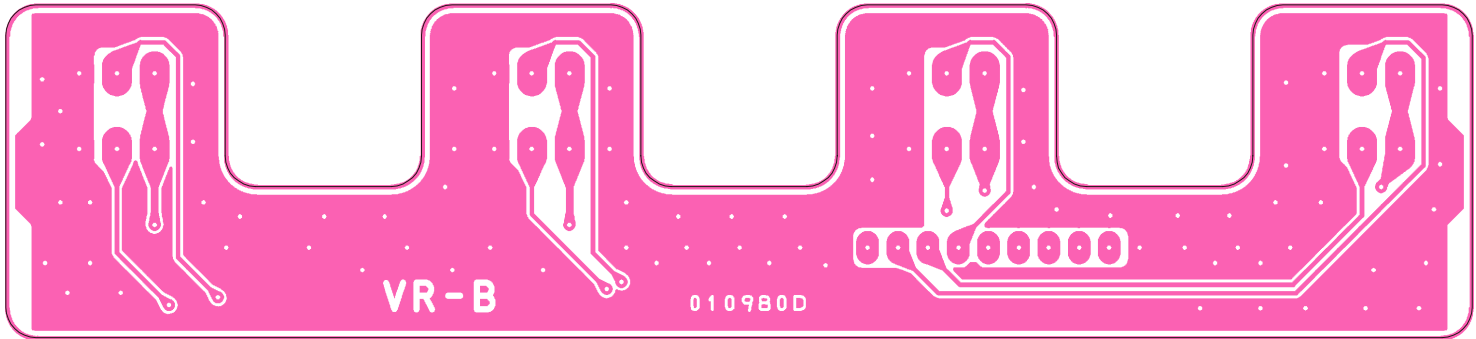


**VR-B Unit**

**Parts Layout**



Side A



Side B



# VR-B Unit

## Parts List

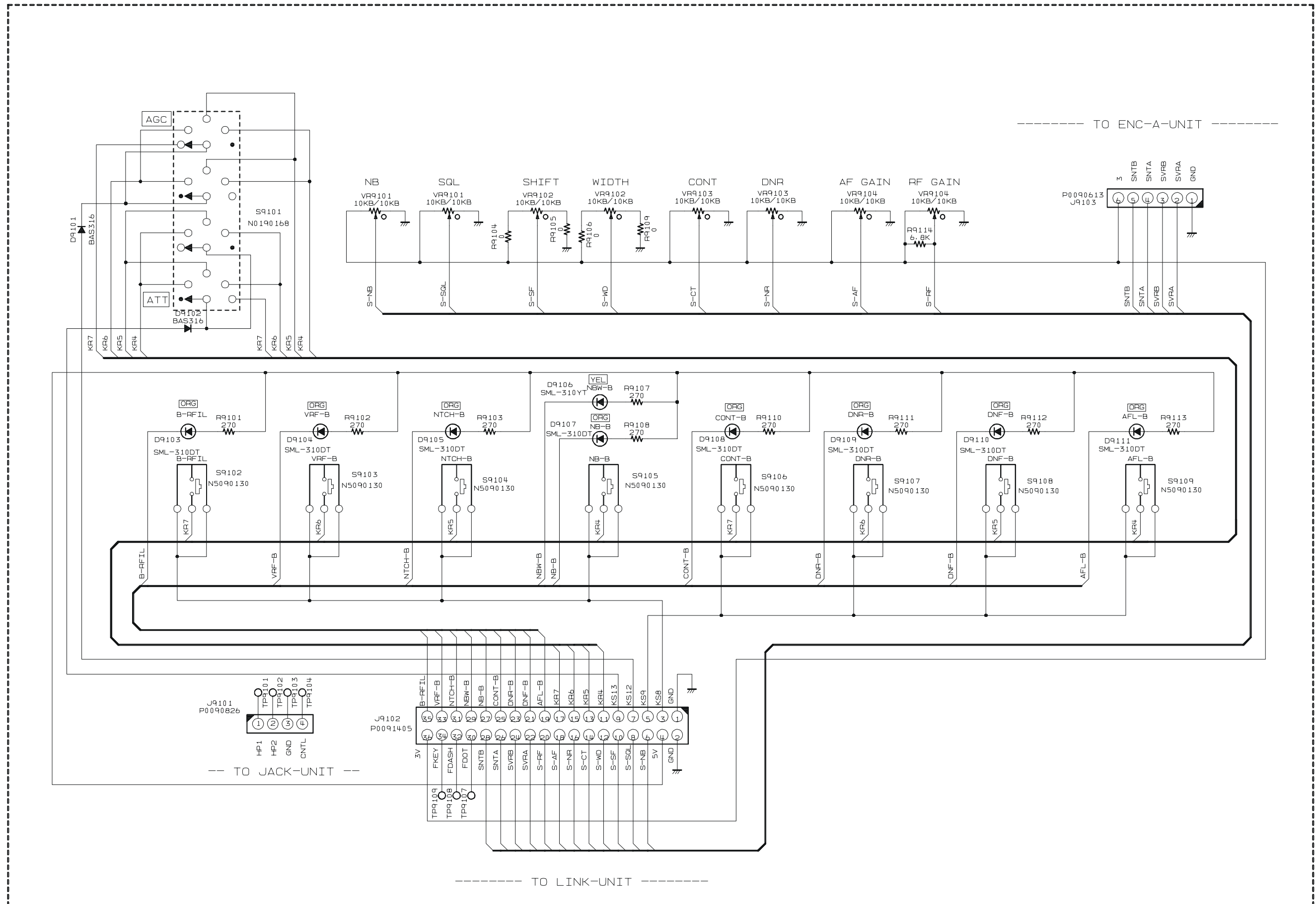
REF	DESCRIPTION	VALUE	V/W	TOL.	MFR'S DESIG	VXSTD P/N	VERS.	LOT	SIDE	LAY ADR
	PCB with Components					CB2599001				
	Printed Circuit Board					FR0109800		1-		
JP9051	WIRE ASSY				AH010H	T9207172A		1-	A	
R 9051	CHIP RES.	6.8k	1/16W	5%	RMC1/16 682JATP	J24185682		1-	A	
VR9051	POT.				RK0972210-F20-C0-B103	J62800143		1-	A	
VR9052	POT.				RK0972210-F20-C0-B103	J62800143		1-	A	
VR9053	POT.				RK0972210-F20-C0-B103	J62800143		1-	A	
VR9054	POT.				RK0972210-F20-C0-B103	J62800143		1-	A	

# *VR-B Unit*

*Note*

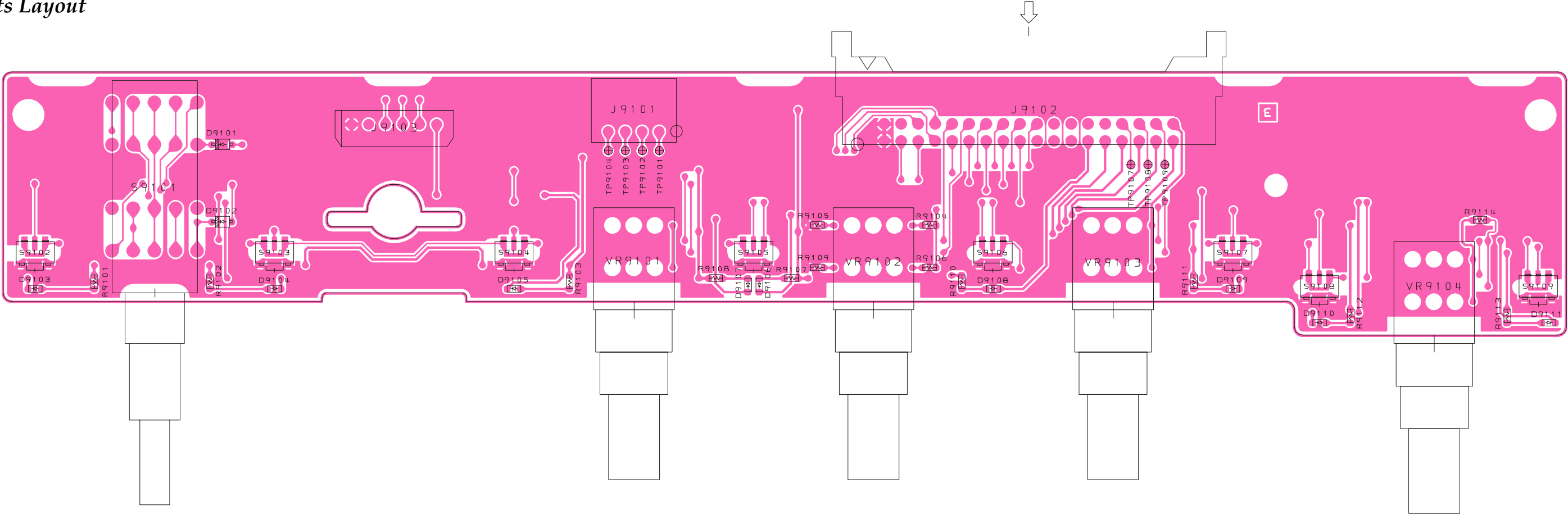
# VR-C Unit (RXU-9000)

## Circuit Diagram

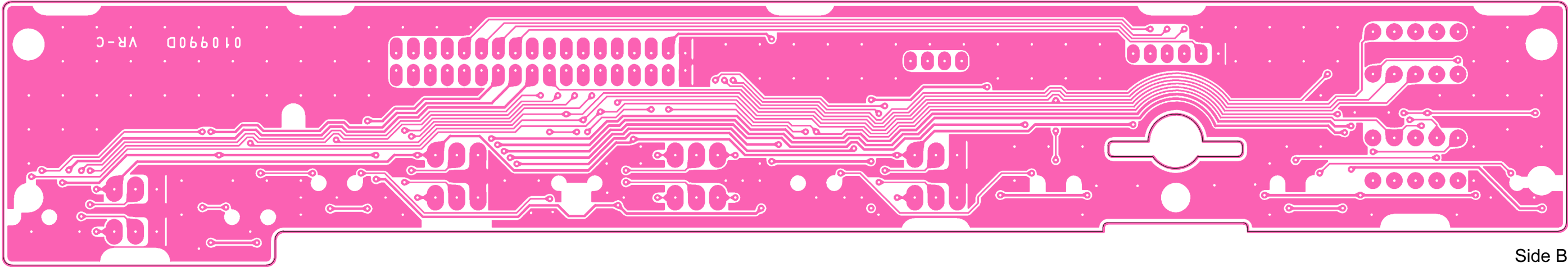


# VR-C Unit (RXU-9000)

## Parts Layout



Side A



Side B

# VR-C Unit

## Parts List

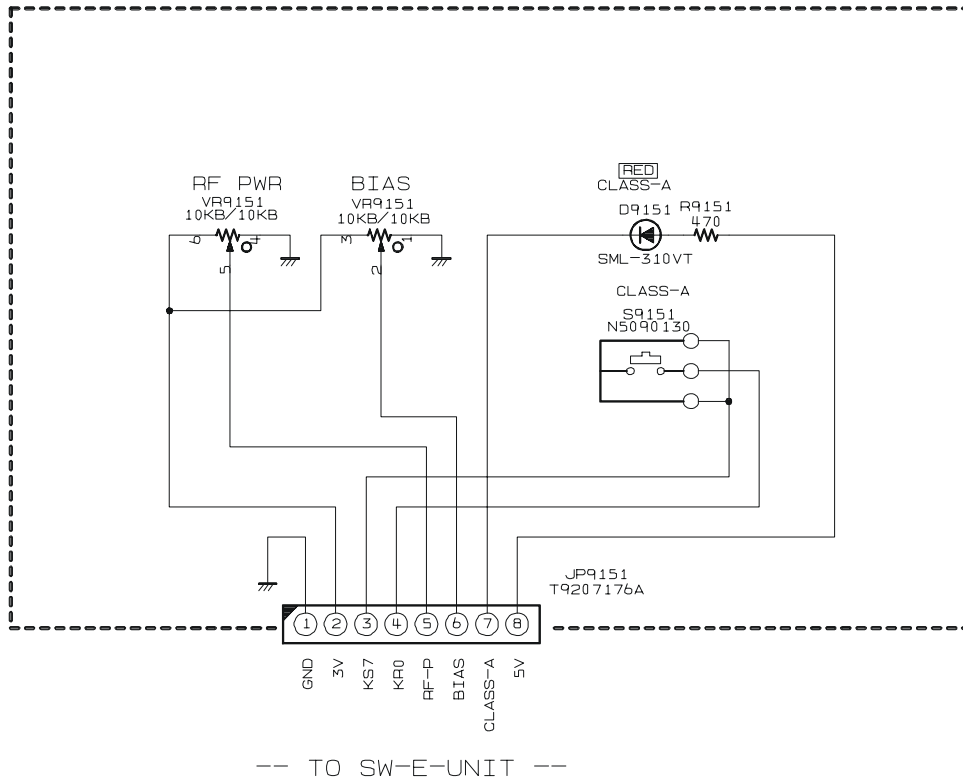
REF	DESCRIPTION	VALUE	V/W	TOL.	MFR'S DESIG	VXSTD P/N	VERS.	LOT	SIDE	LAY ADR
PCB with Components						CB2600001				
Printed Circuit Board						FR0109900		1-		
D 9101	DIODE				BAS316	G2070716		1-	A	A1
D 9102	DIODE				BAS316	G2070716		1-	A	A1
D 9103	LED				SML-310DTT86KL	G2071024		1-	A	A1
D 9104	LED				SML-310DTT86KL	G2071024		1-	A	B1
D 9105	LED				SML-310DTT86KL	G2071024		1-	A	C1
D 9106	LED				SML-310YTT86KL	G2071034		1-	A	C1
D 9107	LED				SML-310DTT86KL	G2071024		1-	A	C1
D 9108	LED				SML-310DTT86KL	G2071024		1-	A	D1
D 9109	LED				SML-310DTT86KL	G2071024		1-	A	E1
D 9110	LED				SML-310DTT86KL	G2071024		1-	A	F1
D 9111	LED				SML-310DTT86KL	G2071024		1-	A	G1
J 9101	CONNECTOR				SB20-04WL	P0090826		1-	A	C1
J 9102	CONNECTOR				LPC-B36M2LG	P0091405		1-	A	E1
J 9103	CONNECTOR				SB20-06WS	P0090613		1-	A	B1
R 9101	CHIP RES.	270	1/16W	5%	RMC1/16 271JATP	J24185271		1-	A	A1
R 9102	CHIP RES.	270	1/16W	5%	RMC1/16 271JATP	J24185271		1-	A	A1
R 9103	CHIP RES.	270	1/16W	5%	RMC1/16 271JATP	J24185271		1-	A	C1
R 9104	CHIP RES.	0	1/16W	5%	RMC1/16 000JATP	J24185000		1-	A	D1
R 9105	CHIP RES.	0	1/16W	5%	RMC1/16 000JATP	J24185000		1-	A	D1
R 9106	CHIP RES.	0	1/16W	5%	RMC1/16 000JATP	J24185000		1-	A	D1
R 9107	CHIP RES.	270	1/16W	5%	RMC1/16 271JATP	J24185271		1-	A	D1
R 9108	CHIP RES.	270	1/16W	5%	RMC1/16 271JATP	J24185271		1-	A	C1
R 9109	CHIP RES.	0	1/16W	5%	RMC1/16 000JATP	J24185000		1-	A	D1
R 9110	CHIP RES.	270	1/16W	5%	RMC1/16 271JATP	J24185271		1-	A	D1
R 9111	CHIP RES.	270	1/16W	5%	RMC1/16 271JATP	J24185271		1-	A	E1
R 9112	CHIP RES.	270	1/16W	5%	RMC1/16 271JATP	J24185271		1-	A	F1
R 9113	CHIP RES.	270	1/16W	5%	RMC1/16 271JATP	J24185271		1-	A	F1
R 9114	CHIP RES.	6.8k	1/16W	5%	RMC1/16 682JATP	J24185682		1-	A	F1
S 9101	ROTARY SWITCH				SRBM25021A	N0190168		1-	A	A1
S 9102	TACT SWITCH				SKRTLAE010	N5090130		1-	A	A1
S 9103	TACT SWITCH				SKRTLAE010	N5090130		1-	A	B1
S 9104	TACT SWITCH				SKRTLAE010	N5090130		1-	A	C1
S 9105	TACT SWITCH				SKRTLAE010	N5090130		1-	A	C1
S 9106	TACT SWITCH				SKRTLAE010	N5090130		1-	A	D1
S 9107	TACT SWITCH				SKRTLAE010	N5090130		1-	A	E1
S 9108	TACT SWITCH				SKRTLAE010	N5090130		1-	A	F1
S 9109	TACT SWITCH				SKRTLAE010	N5090130		1-	A	G1
VR9101	POT.				RK0972210-F20-C0-B103	J62800143		1-	A	C1
VR9102	POT.				RK0972210-F20-C1-B103	J62800145		1-	A	D1
VR9103	POT.				RK0972210-F20-C0-B103	J62800143		1-	A	E1
VR9104	POT.				RK0972210-F20-C0-B103	J62800143		1-	A	F1

# *VR-C Unit*

*Note*

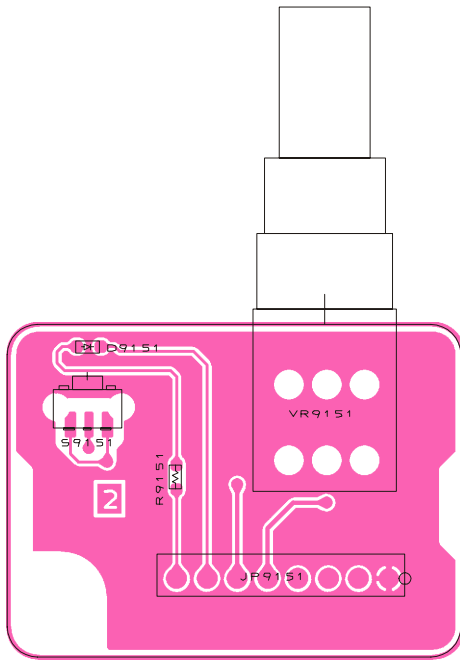
# VR-D Unit

## Circuit Diagram

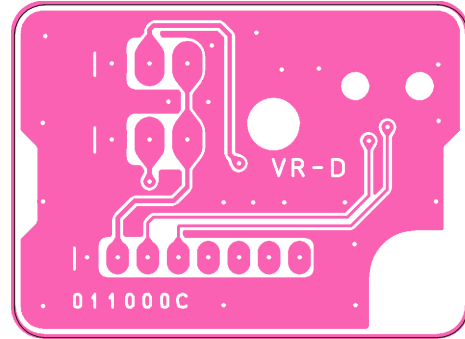


# VR-D Unit

## Parts Layout



Side A



Side B

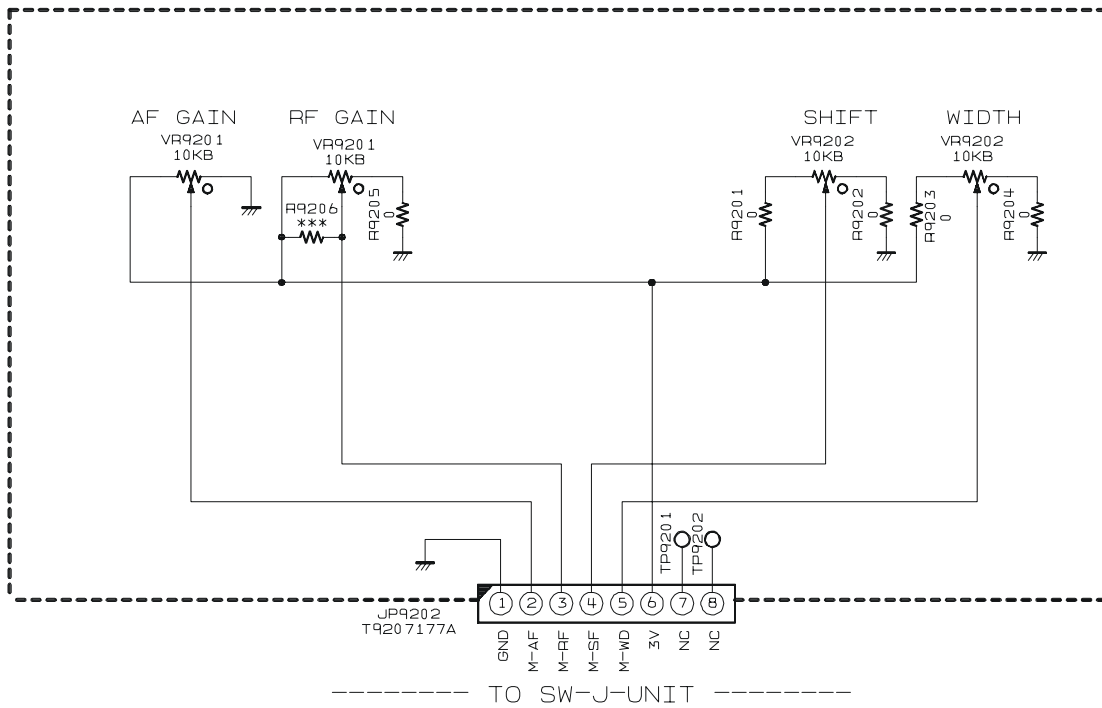
## Parts List

REF	DESCRIPTION	VALUE	V/W	TOL.	MFR'S DESIG	VXSTD P/N	VERS.	LOT	SIDE	LAY ADR
	PCB with Components					CB2601001				
	Printed Circuit Board					FR0110000		1-		
D 9151	LED				SML-310VTT86JK	G2071032		1-	A	
JP9151	WIRE ASSY				AH010H	T9207176A		1-	A	
R 9151	CHIP RES.	470	1/16W	5%	RMC1/16 471JATP	J24185471		1-	A	
S 9151	TACT SWITCH				SKRTLAE010	N5090130		1-	A	
VR9151	POT.				RK0972210-F20-C0-B103	J62800143		1-	A	



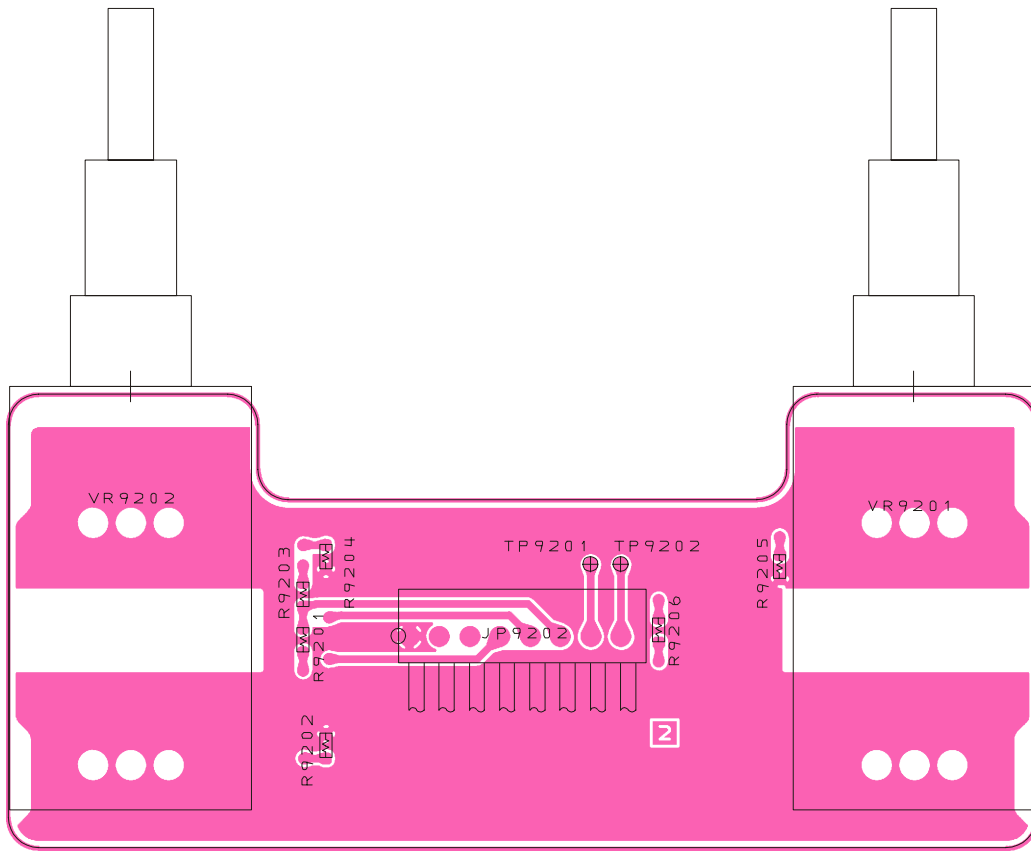
# VR-E Unit

## Circuit Diagram

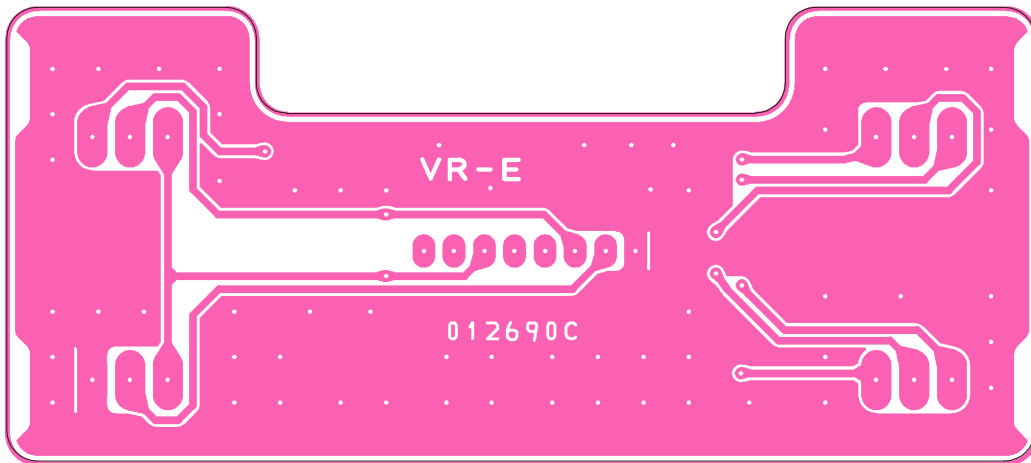


# VR-E Unit

## Parts Layout



Side A



Side B

# VR-E Unit

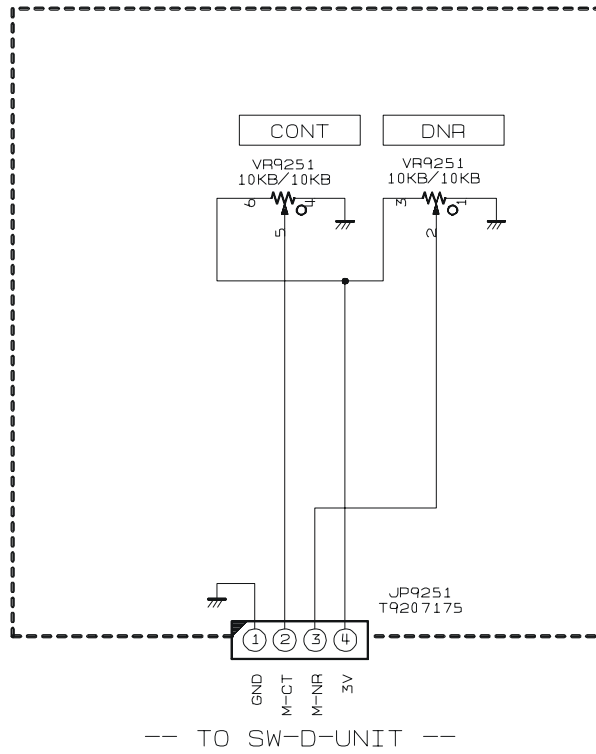
## Parts List

REF	DESCRIPTION	VALUE	V/W	TOL.	MFR'S DESIG	VXSTD P/N	VERS.	LOT	SIDE	LAY ADR
PCB with Components						CB3047001				
Printed Circuit Board						FR0126900		1-		
JP9202	WIRE ASSY				AH010H	T9207177A		1-	A	
R 9201	CHIP RES.	0	1/16W	5%	RMC1/16 000JATP	J24185000		1-	A	
R 9202	CHIP RES.	0	1/16W	5%	RMC1/16 000JATP	J24185000		1-	A	
R 9203	CHIP RES.	0	1/16W	5%	RMC1/16 000JATP	J24185000		1-	A	
R 9204	CHIP RES.	0	1/16W	5%	RMC1/16 000JATP	J24185000		1-	A	
R 9205	CHIP RES.	1k	1/16W	5%	RMC1/16 102JATP	J24185102		1	A	
R 9205	CHIP RES.	0	1/16W	5%	RMC1/16 000JATP	J24185000		2-	A	
R 9206	CHIP RES.	10k	1/16W	5%	RMC1/16 103JATP	J24185103		1	A	
VR9201	POT.				CP631-DS B10K	J62800147		1-	A	
VR9202	POT.				CP631C-DS B10K	J62800148		1-	A	

# *VR-E Unit*

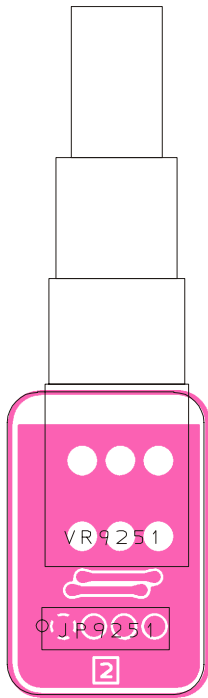
*Note*

# VR-F Unit Circuit Diagram

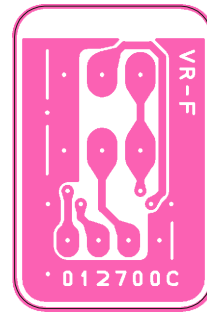


# VR-F Unit

## Parts Layout



Side A

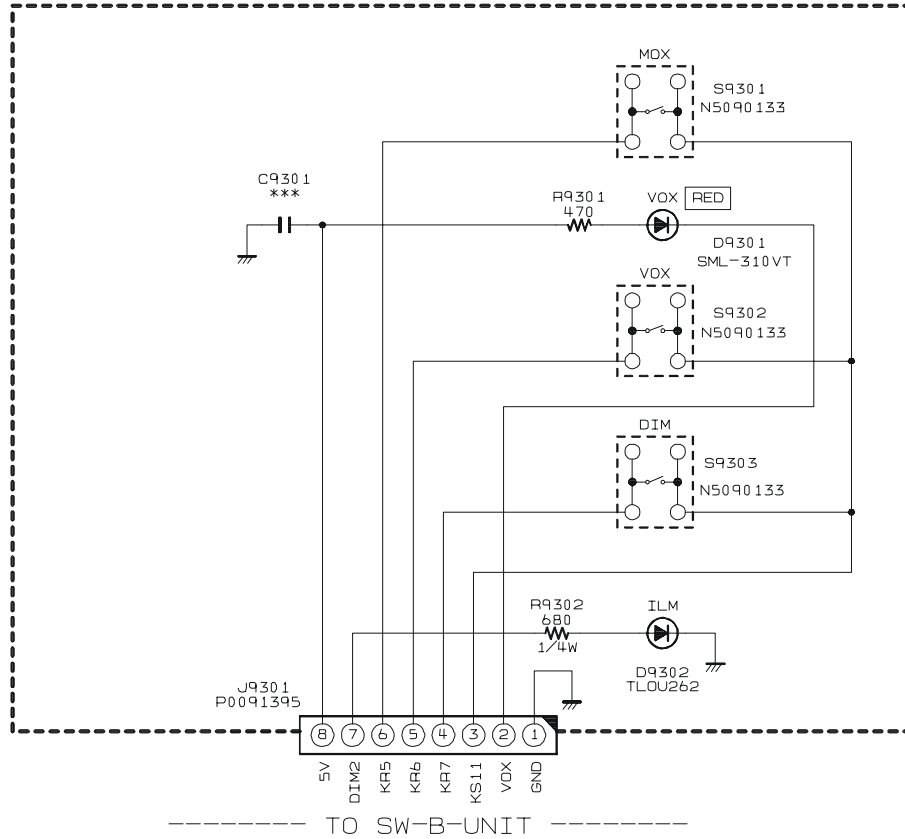


Side B

## Parts List

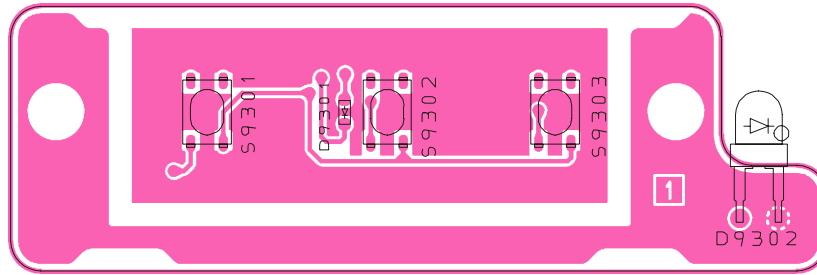
REF	DESCRIPTION	VALUE	V/W	TOL.	MFR'S DESIG	VXSTD P/N	VERS.	LOT	SIDE	LAY ADR
	PCB with Components					CB3048001				
	Printed Circuit Board					FR0127000		1-		
JP9251	WIRE ASSY				AH010H	T9207175		1-		
VR9251	POT.				RK0972210-F25-C0-B103	J62800144		1-		

# SW-A Unit Circuit Diagram

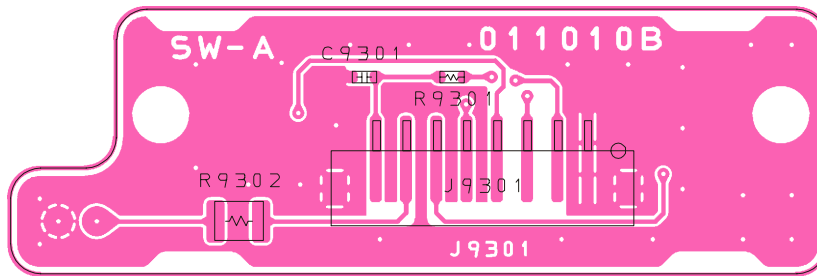


# SW-A Unit

## Parts Layout



Side A



Side B

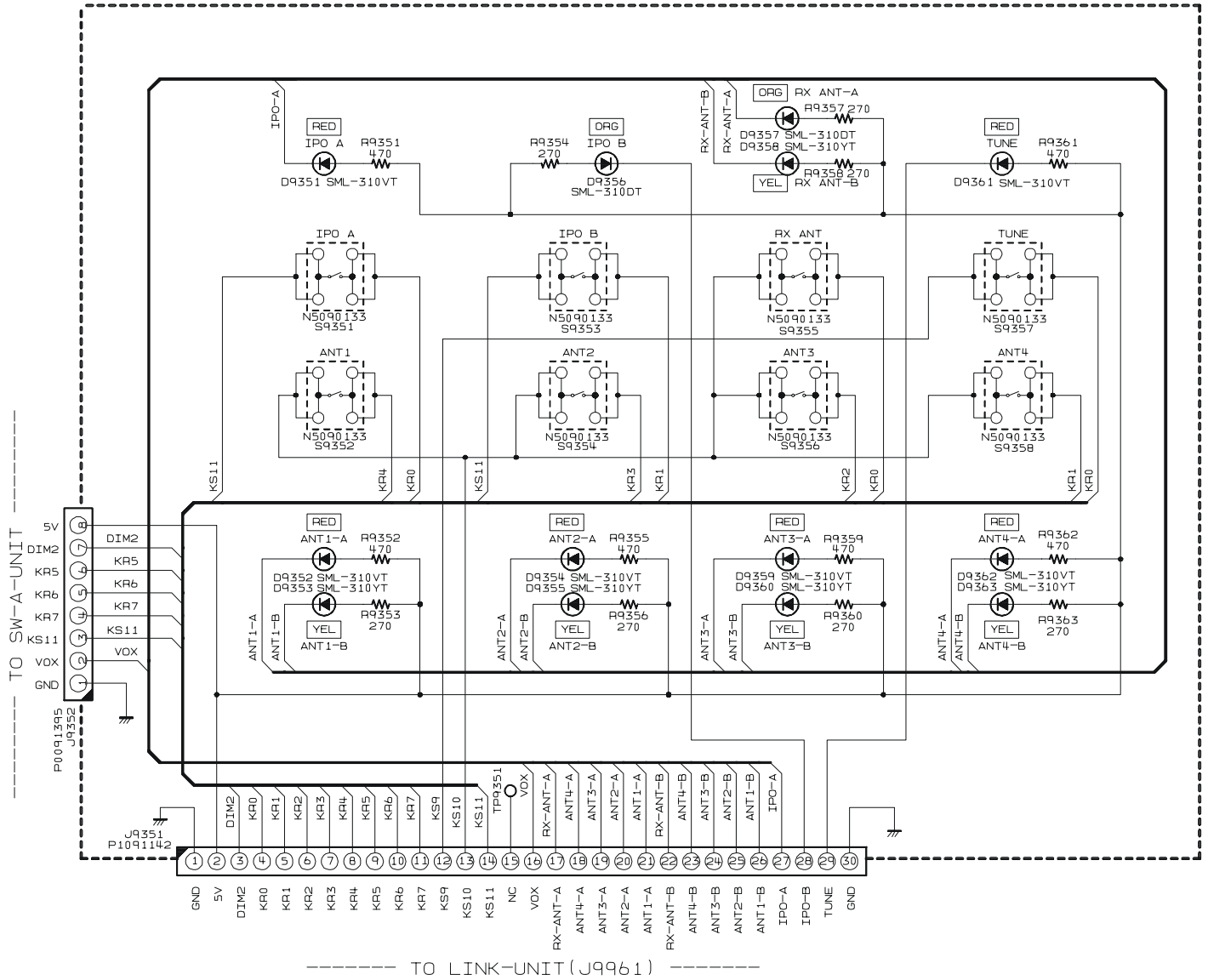
## Parts List

REF	DESCRIPTION	VALUE	V/W	TOL.	MFR'S DESIG	VXSTD P/N	VERS.	LOT	SIDE	LAY ADR
PCB with Components						CB2602001				
Printed Circuit Board						FR0110100		1-		
D 9301	LED				SML-310VTT86JK	G2071032		1-	A	
D 9302	LED				TLOU262	G2090763		1-	A	
J 9301	CONNECTOR				B8B-PH-SM3-TBT	P0091395		1-	B	
R 9301	CHIP RES.	470	1/16W	5%	RMC1/16 471JATP	J24185471		1-	B	
R 9302	CHIP RES.	680	1/4W	5%	RMC1/4 681JATP	J24245681		1-	B	
S 9301	TACT SWITCH				SKRPABE010	N5090133		1-	A	
S 9302	TACT SWITCH				SKRPABE010	N5090133		1-	A	
S 9303	TACT SWITCH				SKRPABE010	N5090133		1-	A	
	LED SPACER				LH-5-4	S6000237		1-		



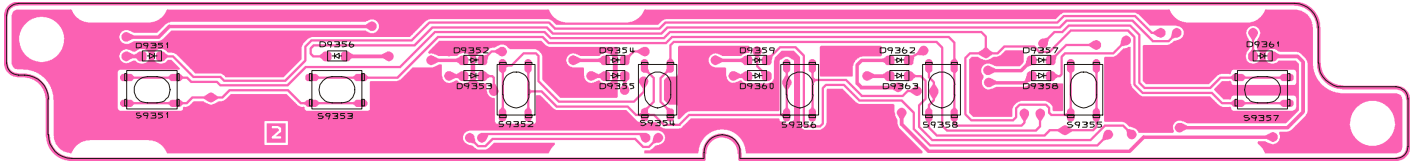
# SW-B Unit

## Circuit Diagram

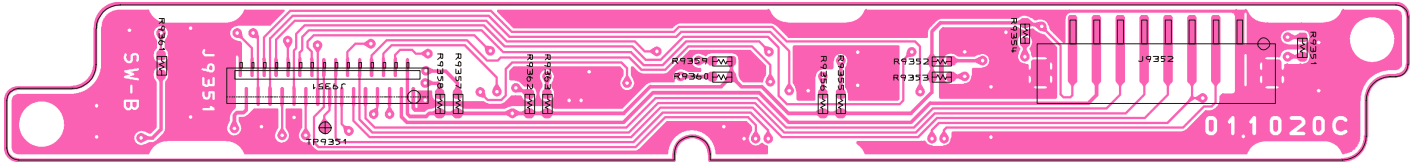


# SW-B Unit

## Parts Layout



Side A

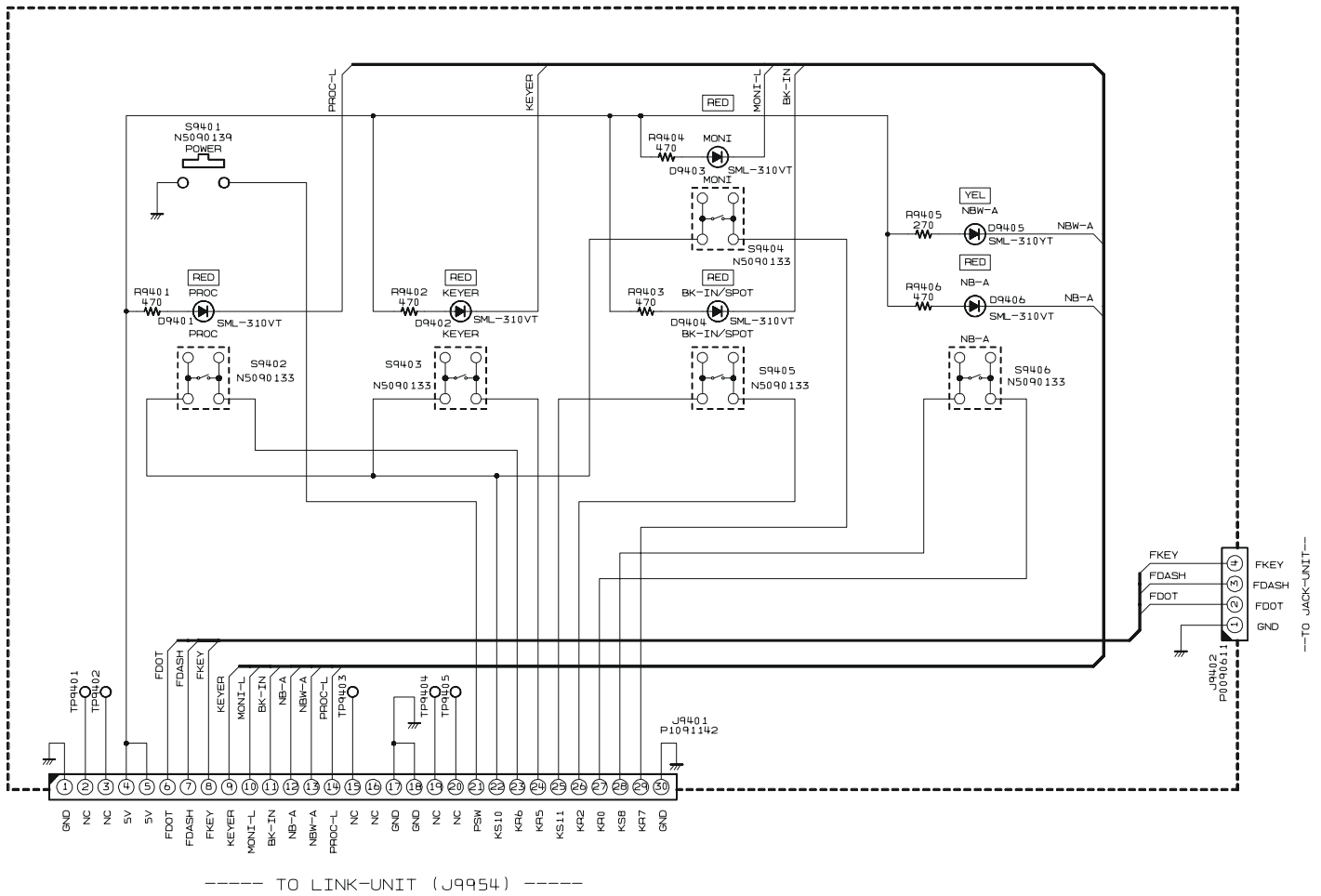


Side B

## Parts List

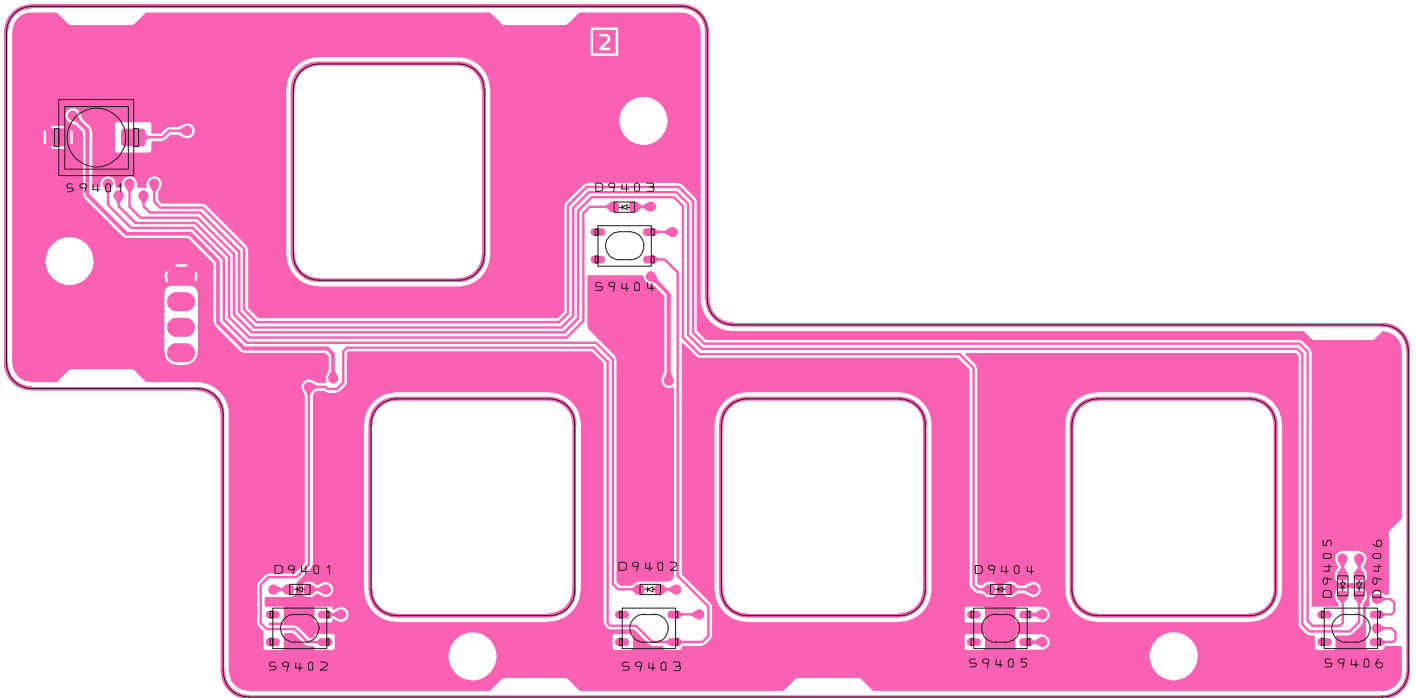
REF	DESCRIPTION	VALUE	V/W	TOL.	MFR'S DESIG	VXSTD P/N	VERS.	LOT	SIDE	LAY ADR
PCB with Components						CB2603001				
Printed Circuit Board						FR011020C		1-		
D 9351	LED				SML-310VTT86JK	G2071032		1-	A	A1
D 9352	LED				SML-310VTT86JK	G2071032		1-	A	B1
D 9353	LED				SML-310YTT86KL	G2071034		1-	A	B1
D 9354	LED				SML-310VTT86JK	G2071032		1-	A	B1
D 9355	LED				SML-310YTT86KL	G2071034		1-	A	B1
D 9356	LED				SML-310DTT86KL	G2071024		1-	A	A1
D 9357	LED				SML-310DTT86KL	G2071024		1-	A	C1
D 9358	LED				SML-310YTT86KL	G2071034		1-	A	C1
D 9359	LED				SML-310VTT86JK	G2071032		1-	A	C1
D 9360	LED				SML-310YTT86KL	G2071034		1-	A	C1
D 9361	LED				SML-310VTT86JK	G2071032		1-	A	D1
D 9362	LED				SML-310VTT86JK	G2071032		1-	A	C1
D 9363	LED				SML-310YTT86KL	G2071034		1-	A	C1
J 9351	CONNECTOR				30FLT-SM1-TB	P1091142		1-	B	a1
J 9352	CONNECTOR				B8B-PH-SM3-TBT	P0091395		1-	B	d1
R 9351	CHIP RES.	470	1/16W	5%	RMC1/16 471JATP	J24185471		1-	B	d1
R 9352	CHIP RES.	470	1/16W	5%	RMC1/16 471JATP	J24185471		1-	B	c1
R 9353	CHIP RES.	270	1/16W	5%	RMC1/16 271JATP	J24185271		1-	B	c1
R 9354	CHIP RES.	270	1/16W	5%	RMC1/16 271JATP	J24185271		1-	B	c1
R 9355	CHIP RES.	470	1/16W	5%	RMC1/16 471JATP	J24185471		1-	B	c1
R 9356	CHIP RES.	270	1/16W	5%	RMC1/16 271JATP	J24185271		1-	B	c1
R 9357	CHIP RES.	270	1/16W	5%	RMC1/16 271JATP	J24185271		1-	B	b1
R 9358	CHIP RES.	270	1/16W	5%	RMC1/16 271JATP	J24185271		1-	B	b1
R 9359	CHIP RES.	470	1/16W	5%	RMC1/16 471JATP	J24185471		1-	B	c1
R 9360	CHIP RES.	270	1/16W	5%	RMC1/16 271JATP	J24185271		1-	B	c1
R 9361	CHIP RES.	470	1/16W	5%	RMC1/16 471JATP	J24185471		1-	B	a1
R 9362	CHIP RES.	470	1/16W	5%	RMC1/16 471JATP	J24185471		1-	B	b1
R 9363	CHIP RES.	270	1/16W	5%	RMC1/16 271JATP	J24185271		1-	B	b1
S 9351	TACT SWITCH				SKRPABE010	N5090133		1-	A	A1
S 9352	TACT SWITCH				SKRPABE010	N5090133		1-	A	B1
S 9353	TACT SWITCH				SKRPABE010	N5090133		1-	A	A1
S 9354	TACT SWITCH				SKRPABE010	N5090133		1-	A	B1
S 9355	TACT SWITCH				SKRPABE010	N5090133		1-	A	D1
S 9356	TACT SWITCH				SKRPABE010	N5090133		1-	A	C1
S 9357	TACT SWITCH				SKRPABE010	N5090133		1-	A	D1
S 9358	TACT SWITCH				SKRPABE010	N5090133		1-	A	C1

# SW-C Unit Circuit Diagram

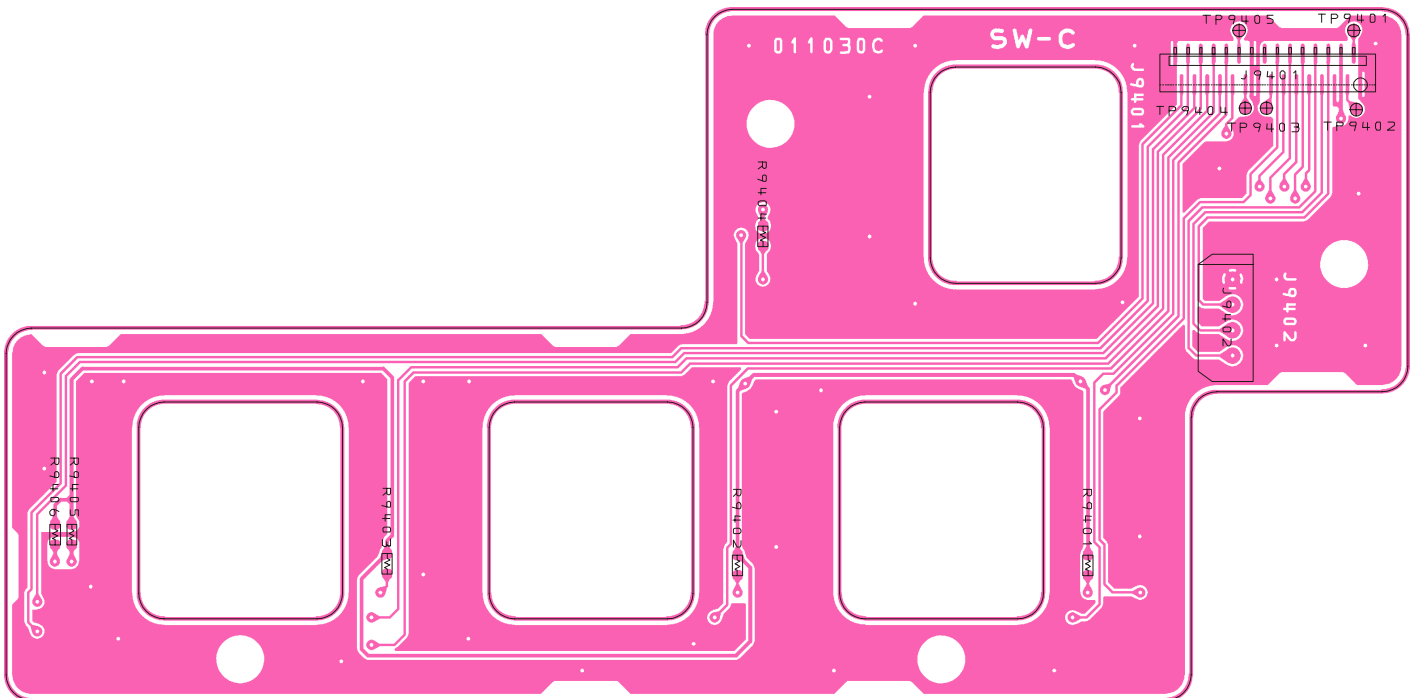


# SW-C Unit

## Parts Layout



Side A



Side B

# SW-C Unit

## Parts List

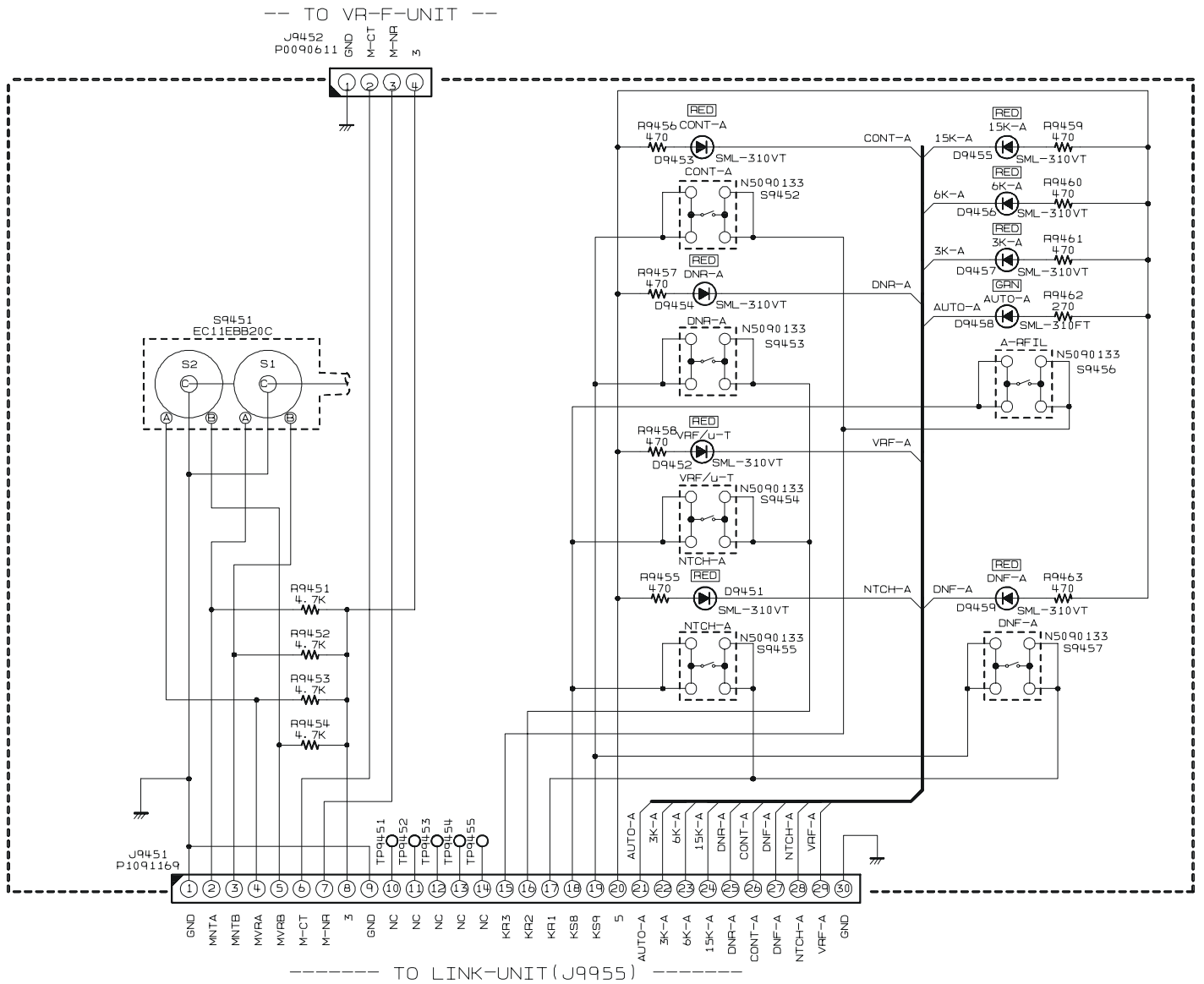
REF	DESCRIPTION	VALUE	V/W	TOL.	MFR'S DESIG	VXSTD P/N	VERS.	LOT	SIDE	LAY ADR
PCB with Components						CB2604001				
Printed Circuit Board						FR0110300		1-		
D 9401	LED				SML-310VTT86JK	G2071032		1-	A	A2
D 9402	LED				SML-310VTT86JK	G2071032		1-	A	B2
D 9403	LED				SML-310VTT86JK	G2071032		1-	A	B1
D 9404	LED				SML-310VTT86JK	G2071032		1-	A	C2
D 9405	LED				SML-310YTT86KL	G2071034		1-	A	D2
D 9406	LED				SML-310VTT86JK	G2071032		1-	A	D2
J 9401	CONNECTOR				30FLT-SM1-TB	P1091142		1-	B	d1
J 9402	CONNECTOR				SB20-04WS	P0090611		1-	B	d1
R 9401	CHIP RES.	470	1/16W	5%	RMC1/16 471JATP	J24185471		1-	B	c2
R 9402	CHIP RES.	470	1/16W	5%	RMC1/16 471JATP	J24185471		1-	B	b2
R 9403	CHIP RES.	470	1/16W	5%	RMC1/16 471JATP	J24185471		1-	B	a2
R 9404	CHIP RES.	470	1/16W	5%	RMC1/16 471JATP	J24185471		1-	B	b1
R 9405	CHIP RES.	270	1/16W	5%	RMC1/16 271JATP	J24185271		1-	B	a2
R 9406	CHIP RES.	470	1/16W	5%	RMC1/16 471JATP	J24185471		1-	B	a2
S 9401	TACT SWITCH				SKPMAPE010	N5090139		1-	A	A1
S 9402	TACT SWITCH				SKRPABE010	N5090133		1-	A	A2
S 9403	TACT SWITCH				SKRPABE010	N5090133		1-	A	B2
S 9404	TACT SWITCH				SKRPABE010	N5090133		1-	A	B1
S 9405	TACT SWITCH				SKRPABE010	N5090133		1-	A	C2
S 9406	TACT SWITCH				SKRPABE010	N5090133		1-	A	D2

# *SW-C Unit*

*Note*

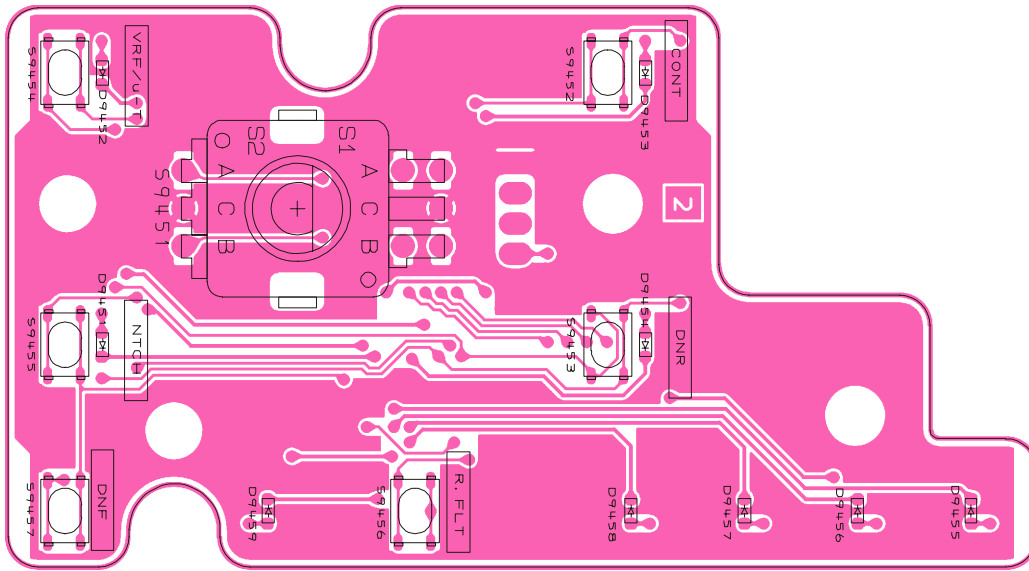
# SW-D Unit (D Type, TFT-9000)

## Circuit Diagram

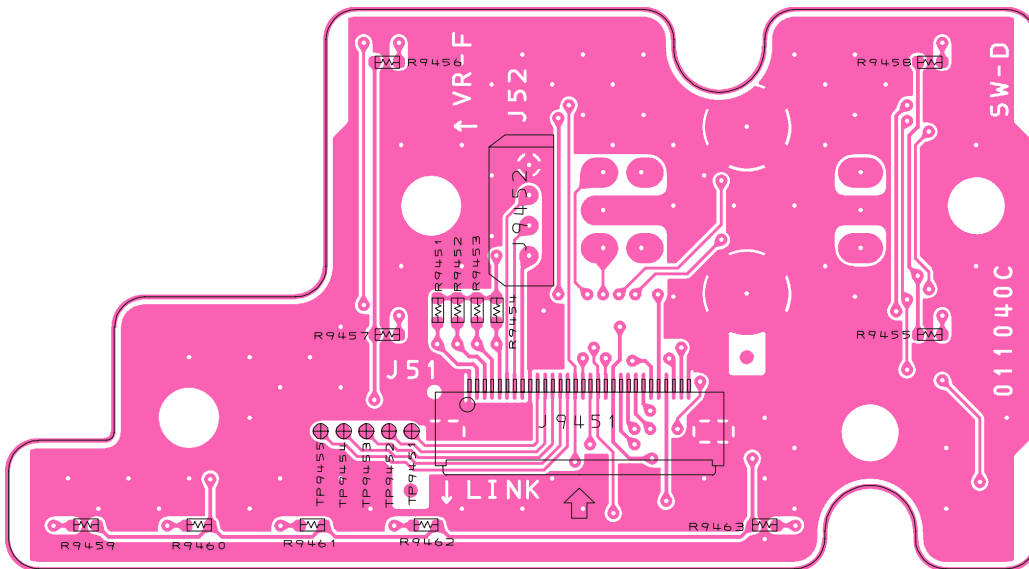


# SW-D Unit (D Type, TFT-9000)

## Parts Layout



Side A



Side B



# SW-D Unit (D Type, TFT-9000)

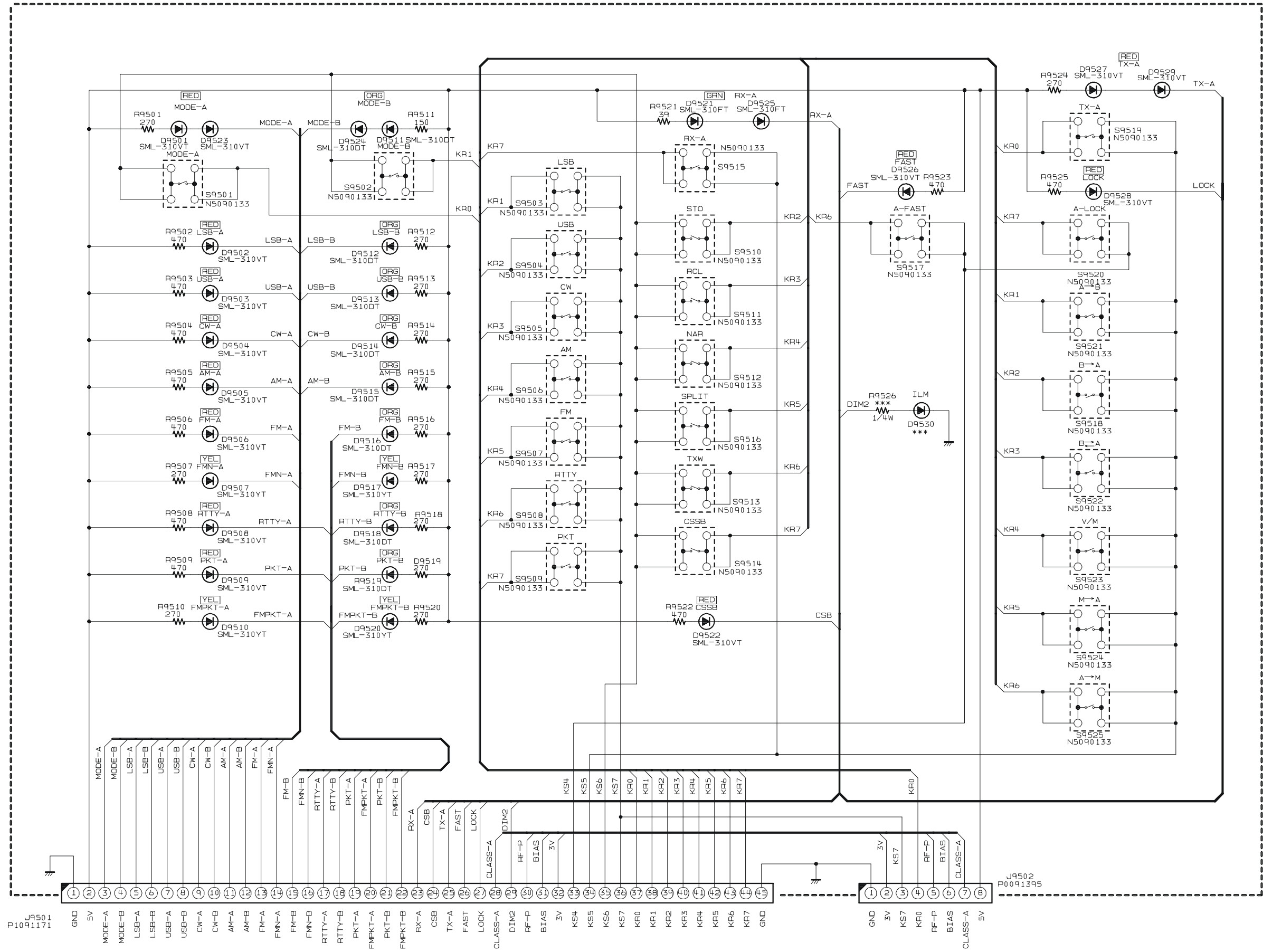
## Parts List

REF	DESCRIPTION	VALUE	V/W	TOL.	MFR'S DESIG	VXSTD P/N	VERS.	LOT	SIDE	LAY ADR
PCB with Components						CB2605001				
Printed Circuit Board						FR0110400		1-		
D 9451	LED				SML-310VTT86JK	G2071032		1-	A	A1
D 9452	LED				SML-310VTT86JK	G2071032		1-	A	A1
D 9453	LED				SML-310VTT86JK	G2071032		1-	A	B1
D 9454	LED				SML-310VTT86JK	G2071032		1-	A	B1
D 9455	LED				SML-310VTT86JK	G2071032		1-	A	C2
D 9456	LED				SML-310VTT86JK	G2071032		1-	A	B2
D 9457	LED				SML-310VTT86JK	G2071032		1-	A	B2
D 9458	LED				SML-310FTT86KL	G2071026		1-	A	B2
D 9459	LED				SML-310VTT86JK	G2071032		1-	A	A2
J 9451	CONNECTOR				9637S-30-Y905	P1091169		1-	B	b1
J 9452	CONNECTOR				SB20-04WS	P0090611		1-	B	b1
R 9451	CHIP RES.	4.7k	1/16W	5%	RMC1/16 472JATP	J24185472		1-	B	a1
R 9452	CHIP RES.	4.7k	1/16W	5%	RMC1/16 472JATP	J24185472		1-	B	a1
R 9453	CHIP RES.	4.7k	1/16W	5%	RMC1/16 472JATP	J24185472		1-	B	b1
R 9454	CHIP RES.	4.7k	1/16W	5%	RMC1/16 472JATP	J24185472		1-	B	b1
R 9455	CHIP RES.	470	1/16W	5%	RMC1/16 471JATP	J24185471		1-	B	c1
R 9456	CHIP RES.	470	1/16W	5%	RMC1/16 471JATP	J24185471		1-	B	a1
R 9457	CHIP RES.	470	1/16W	5%	RMC1/16 471JATP	J24185471		1-	B	a1
R 9458	CHIP RES.	470	1/16W	5%	RMC1/16 471JATP	J24185471		1-	B	c1
R 9459	CHIP RES.	470	1/16W	5%	RMC1/16 471JATP	J24185471		1-	B	a2
R 9460	CHIP RES.	470	1/16W	5%	RMC1/16 471JATP	J24185471		1-	B	a2
R 9461	CHIP RES.	470	1/16W	5%	RMC1/16 471JATP	J24185471		1-	B	a2
R 9462	CHIP RES.	270	1/16W	5%	RMC1/16 271JATP	J24185271		1-	B	a2
R 9463	CHIP RES.	470	1/16W	5%	RMC1/16 471JATP	J24185471		1-	B	b2
S 9451	ROTARY ENCODER				EC11EBB20C	Q9000823		1-	A	A1
S 9452	TACT SWITCH				SKRPABE010	N5090133		1-	A	B1
S 9453	TACT SWITCH				SKRPABE010	N5090133		1-	A	B1
S 9454	TACT SWITCH				SKRPABE010	N5090133		1-	A	A1
S 9455	TACT SWITCH				SKRPABE010	N5090133		1-	A	A1
S 9456	TACT SWITCH				SKRPABE010	N5090133		1-	A	A2
S 9457	TACT SWITCH				SKRPABE010	N5090133		1-	A	A2

# *SW-D Unit (D Type, TFT-9000)*

*Note*

# SW-E Unit Circuit Diagram

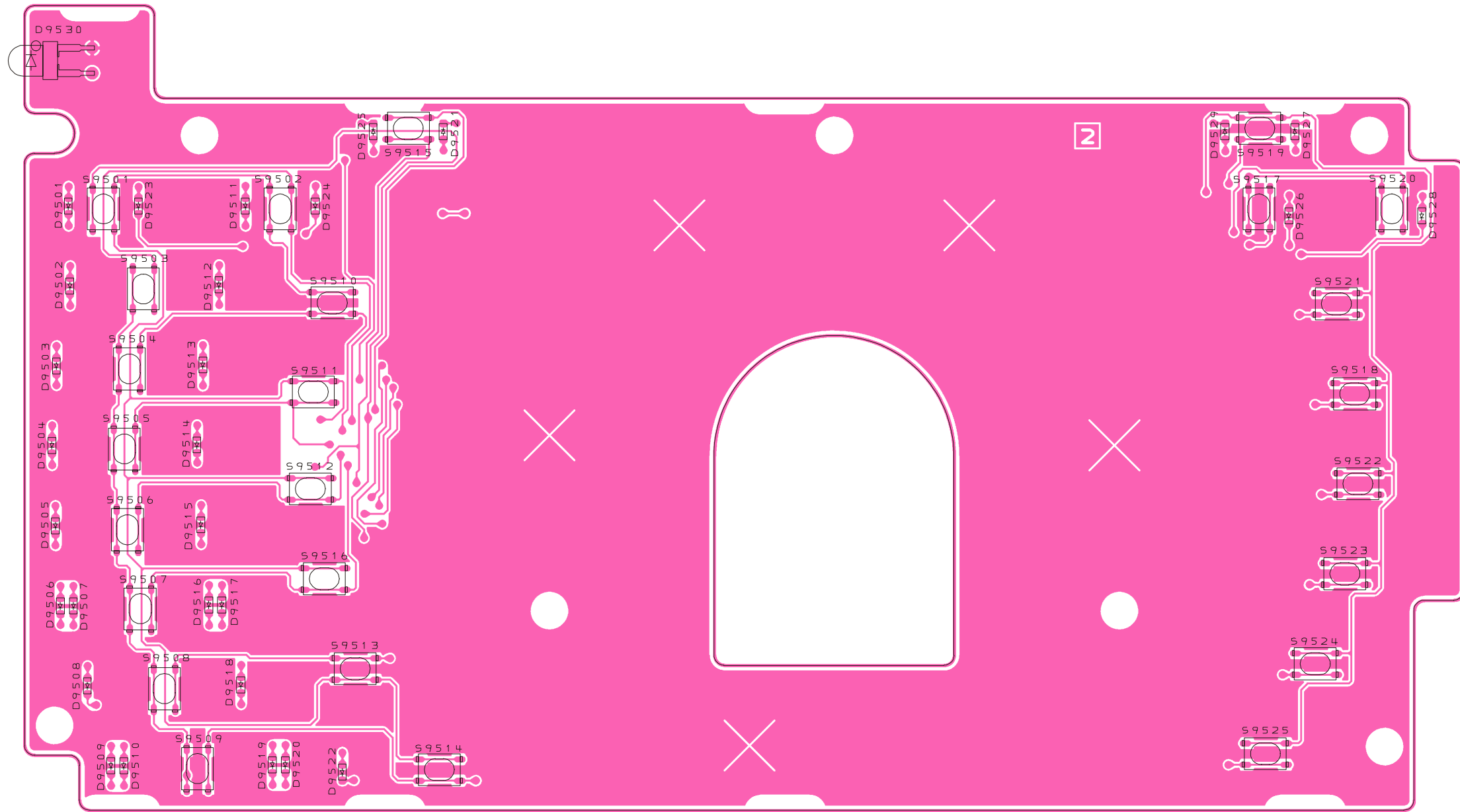


----- TO LINK-UNIT (J9956) -----

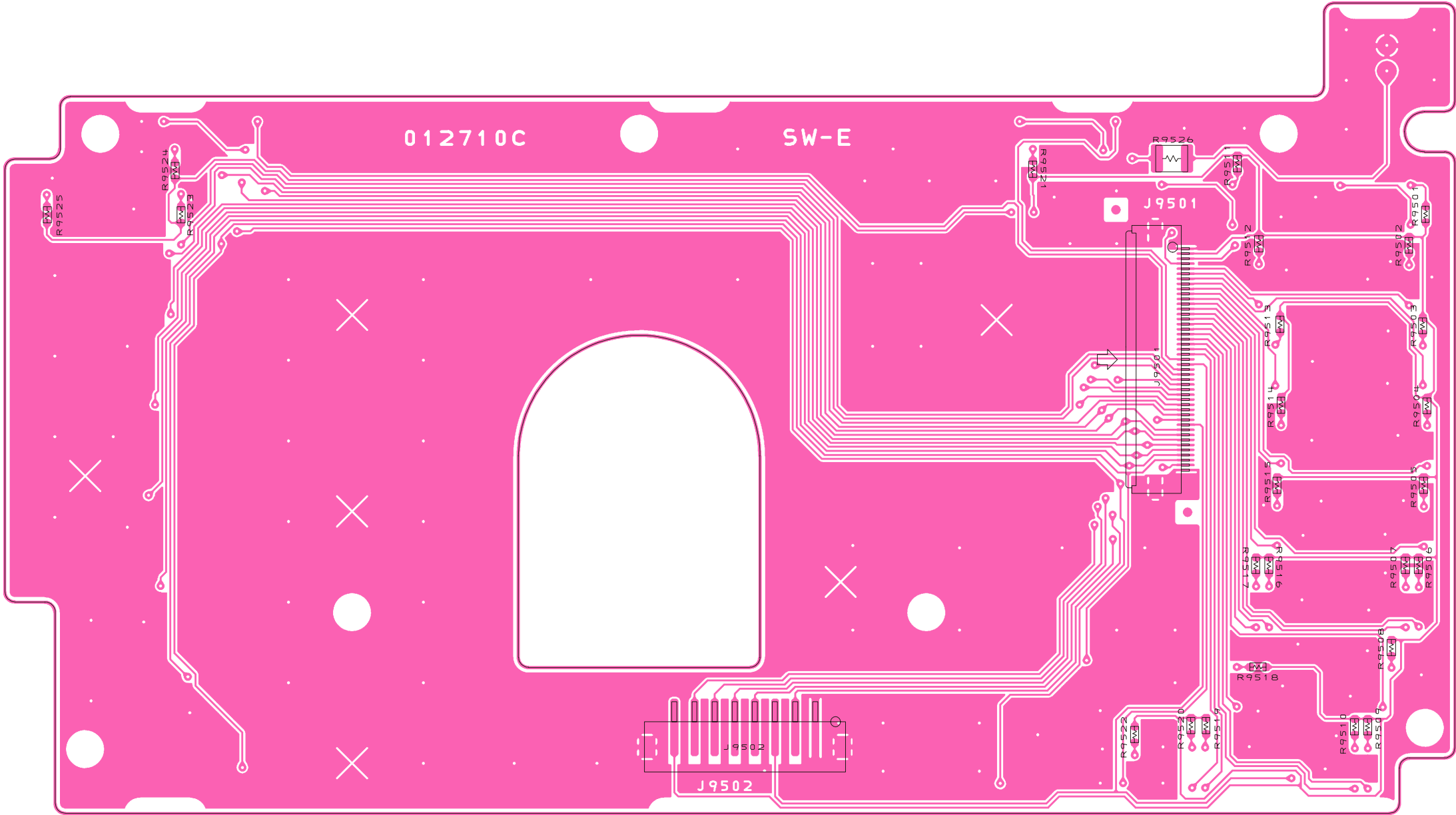
-- TO VR-D-UNIT --

## ***SW-E Unit***

***Note***



Side A



Side B

# SW-E Unit

## Parts List

REF	DESCRIPTION	VALUE	V/W	TOL.	MFR'S DESIG	VXSTD P/N	VERS.	LOT	SIDE	LAY ADR
PCB with Components						CB3049001				
	Printed Circuit Board					FR0127100		1-		
D 9501	LED				SML-310VTT86JK	G2071032		1-	A	A1
D 9502	LED				SML-310VTT86JK	G2071032		1-	A	A1
D 9503	LED				SML-310VTT86JK	G2071032		1-	A	A2
D 9504	LED				SML-310VTT86JK	G2071032		1-	A	A2
D 9505	LED				SML-310VTT86JK	G2071032		1-	A	A2
D 9506	LED				SML-310VTT86JK	G2071032		1-	A	A3
D 9507	LED				SML-310YTT86KL	G2071034		1-	A	A3
D 9508	LED				SML-310VTT86JK	G2071032		1-	A	A3
D 9509	LED				SML-310VTT86JK	G2071032		1-	A	A3
D 9510	LED				SML-310YTT86KL	G2071034		1-	A	A3
D 9511	LED				SML-310DTT86KL	G2071024		1-	A	A1
D 9512	LED				SML-310DTT86KL	G2071024		1-	A	A1
D 9513	LED				SML-310DTT86KL	G2071024		1-	A	A2
D 9514	LED				SML-310DTT86KL	G2071024		1-	A	A2
D 9515	LED				SML-310DTT86KL	G2071024		1-	A	A2
D 9516	LED				SML-310DTT86KL	G2071024		1-	A	A2
D 9517	LED				SML-310YTT86KL	G2071034		1-	A	A2
D 9518	LED				SML-310DTT86KL	G2071024		1-	A	A3
D 9519	LED				SML-310DTT86KL	G2071024		1-	A	A3
D 9520	LED				SML-310YTT86KL	G2071034		1-	A	A3
D 9521	LED				SML-310FTT86KL	G2071026		1-	A	B1
D 9522	LED				SML-310VTT86JK	G2071032		1-	A	B3
D 9523	LED				SML-310VTT86JK	G2071032		1-	A	A1
D 9524	LED				SML-310DTT86KL	G2071024		1-	A	A1
D 9525	LED				SML-310FTT86KL	G2071026		1-	A	B1
D 9526	LED				SML-310VTT86JK	G2071032		1-	A	E1
D 9527	LED				SML-310VTT86JK	G2071032		1-	A	E1
D 9528	LED				SML-310VTT86JK	G2071032		1-	A	E1
D 9529	LED				SML-310VTT86JK	G2071032		1-	A	E1
J 9501	CONNECTOR				9637S-45-Y905	P1091171		1-	B	d2
J 9502	CONNECTOR				B8B-PH-SM3-TBT	P0091395		1-	B	c3
R 9501	CHIPRES.	270	1/16W	5%	RMC1/16 271JATP	J24185271		1-	B	e1
R 9502	CHIPRES.	470	1/16W	5%	RMC1/16 471JATP	J24185471		1-	B	e1
R 9503	CHIPRES.	470	1/16W	5%	RMC1/16 471JATP	J24185471		1-	B	e2
R 9504	CHIPRES.	470	1/16W	5%	RMC1/16 471JATP	J24185471		1-	B	e2
R 9505	CHIPRES.	470	1/16W	5%	RMC1/16 471JATP	J24185471		1-	B	e2
R 9506	CHIPRES.	470	1/16W	5%	RMC1/16 471JATP	J24185471		1-	B	e2
R 9507	CHIPRES.	270	1/16W	5%	RMC1/16 271JATP	J24185271		1-	B	e2
R 9508	CHIPRES.	470	1/16W	5%	RMC1/16 471JATP	J24185471		1-	B	e3
R 9509	CHIPRES.	470	1/16W	5%	RMC1/16 471JATP	J24185471		1-	B	e3
R 9510	CHIPRES.	270	1/16W	5%	RMC1/16 271JATP	J24185271		1-	B	e3
R 9511	CHIPRES.	150	1/16W	5%	RMC1/16 151JATP	J24185151		1-	B	e1
R 9512	CHIPRES.	270	1/16W	5%	RMC1/16 271JATP	J24185271		1-	B	e1
R 9513	CHIPRES.	270	1/16W	5%	RMC1/16 271JATP	J24185271		1-	B	e2
R 9514	CHIPRES.	270	1/16W	5%	RMC1/16 271JATP	J24185271		1-	B	e2
R 9515	CHIPRES.	270	1/16W	5%	RMC1/16 271JATP	J24185271		1-	B	e2
R 9516	CHIPRES.	270	1/16W	5%	RMC1/16 271JATP	J24185271		1-	B	e2
R 9517	CHIPRES.	270	1/16W	5%	RMC1/16 271JATP	J24185271		1-	B	e2
R 9518	CHIPRES.	270	1/16W	5%	RMC1/16 271JATP	J24185271		1-	B	e3
R 9519	CHIPRES.	270	1/16W	5%	RMC1/16 271JATP	J24185271		1-	B	d3
R 9520	CHIPRES.	270	1/16W	5%	RMC1/16 271JATP	J24185271		1-	B	d3
R 9521	CHIPRES.	39	1/16W	5%	RMC1/16 390JATP	J24185390		1-	B	d1
R 9522	CHIPRES.	470	1/16W	5%	RMC1/16 471JATP	J24185471		1-	B	d3
R 9523	CHIPRES.	470	1/16W	5%	RMC1/16 471JATP	J24185471		1-	B	a1
R 9524	CHIPRES.	270	1/16W	5%	RMC1/16 271JATP	J24185271		1-	B	a1
R 9525	CHIPRES.	470	1/16W	5%	RMC1/16 471JATP	J24185471		1-	B	a1
S 9501	TACT SWITCH				SKRPABE010	N5090133		1-	A	A1
S 9502	TACT SWITCH				SKRPABE010	N5090133		1-	A	A1
S 9503	TACT SWITCH				SKRPABE010	N5090133		1-	A	A1
S 9504	TACT SWITCH				SKRPABE010	N5090133		1-	A	A2
S 9505	TACT SWITCH				SKRPABE010	N5090133		1-	A	A2
S 9506	TACT SWITCH				SKRPABE010	N5090133		1-	A	A2
S 9507	TACT SWITCH				SKRPABE010	N5090133		1-	A	A3
S 9508	TACT SWITCH				SKRPABE010	N5090133		1-	A	A3
S 9509	TACT SWITCH				SKRPABE010	N5090133		1-	A	A3
S 9510	TACT SWITCH				SKRPABE010	N5090133		1-	A	B1
S 9511	TACT SWITCH				SKRPABE010	N5090133		1-	A	A2
S 9512	TACT SWITCH				SKRPABE010	N5090133		1-	A	A2
S 9513	TACT SWITCH				SKRPABE010	N5090133		1-	A	B3
S 9514	TACT SWITCH				SKRPABE010	N5090133		1-	A	B3
S 9515	TACT SWITCH				SKRPABE010	N5090133		1-	A	B1

# SW-E Unit

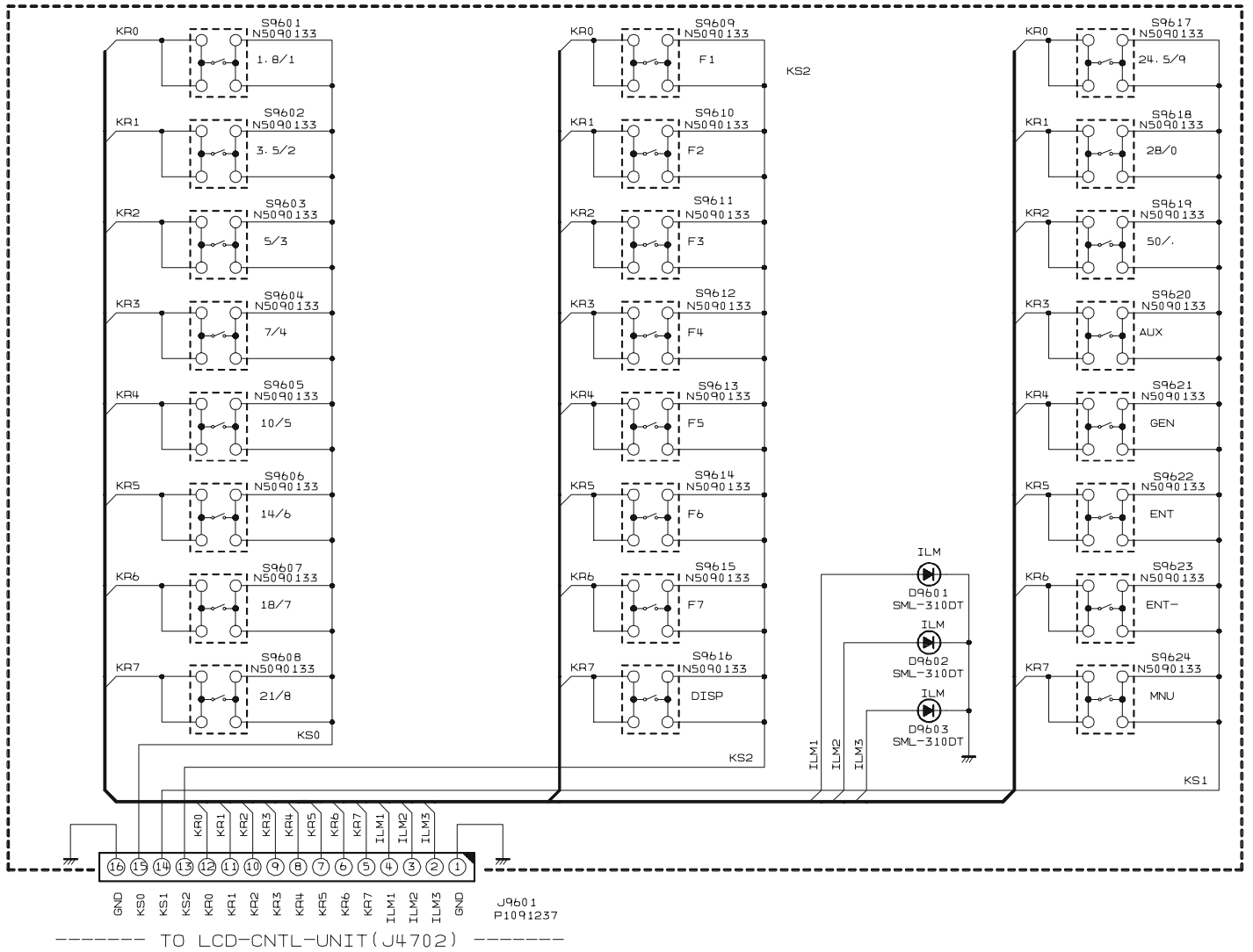
## Parts List

REF	DESCRIPTION	VALUE	V/W	TOL.	MFR'S DESIG	VXSTD P/N	VERS.	LOT	SIDE	LAY ADR
S 9516	TACT SWITCH				SKRPABE010	N5090133		1-	A	B2
S 9517	TACT SWITCH				SKRPABE010	N5090133		1-	A	E1
S 9518	TACT SWITCH				SKRPABE010	N5090133		1-	A	E2
S 9519	TACT SWITCH				SKRPABE010	N5090133		1-	A	E1
S 9520	TACT SWITCH				SKRPABE010	N5090133		1-	A	E1
S 9521	TACT SWITCH				SKRPABE010	N5090133		1-	A	E1
S 9522	TACT SWITCH				SKRPABE010	N5090133		1-	A	E2
S 9523	TACT SWITCH				SKRPABE010	N5090133		1-	A	E2
S 9524	TACT SWITCH				SKRPABE010	N5090133		1-	A	E3
S 9525	TACT SWITCH				SKRPABE010	N5090133		1-	A	E3



# SW-G Unit (D Type, TFT-9000)

## Circuit Diagram

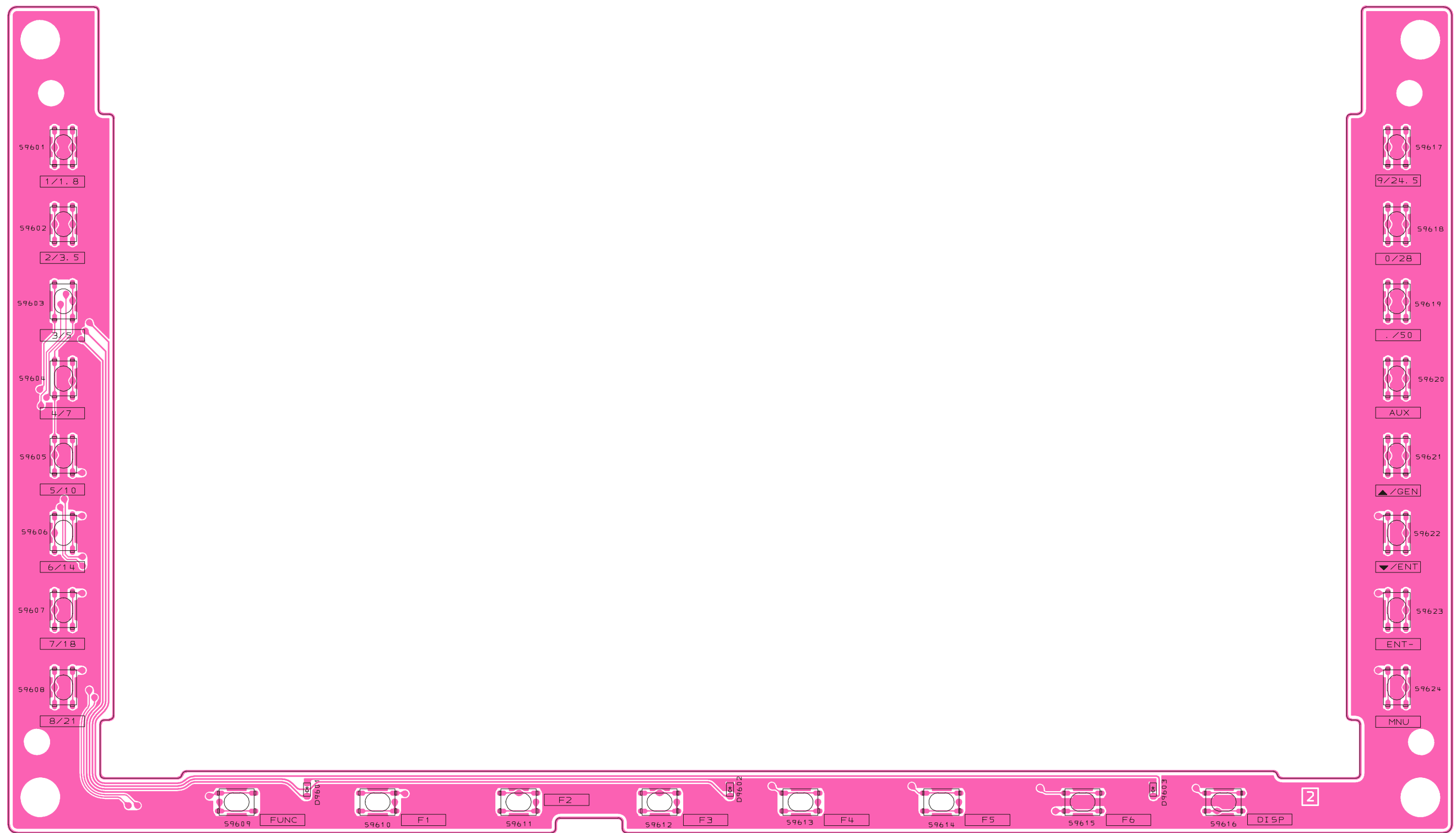


# *SW-G Unit (D Type, TFT-9000)*

*Note*

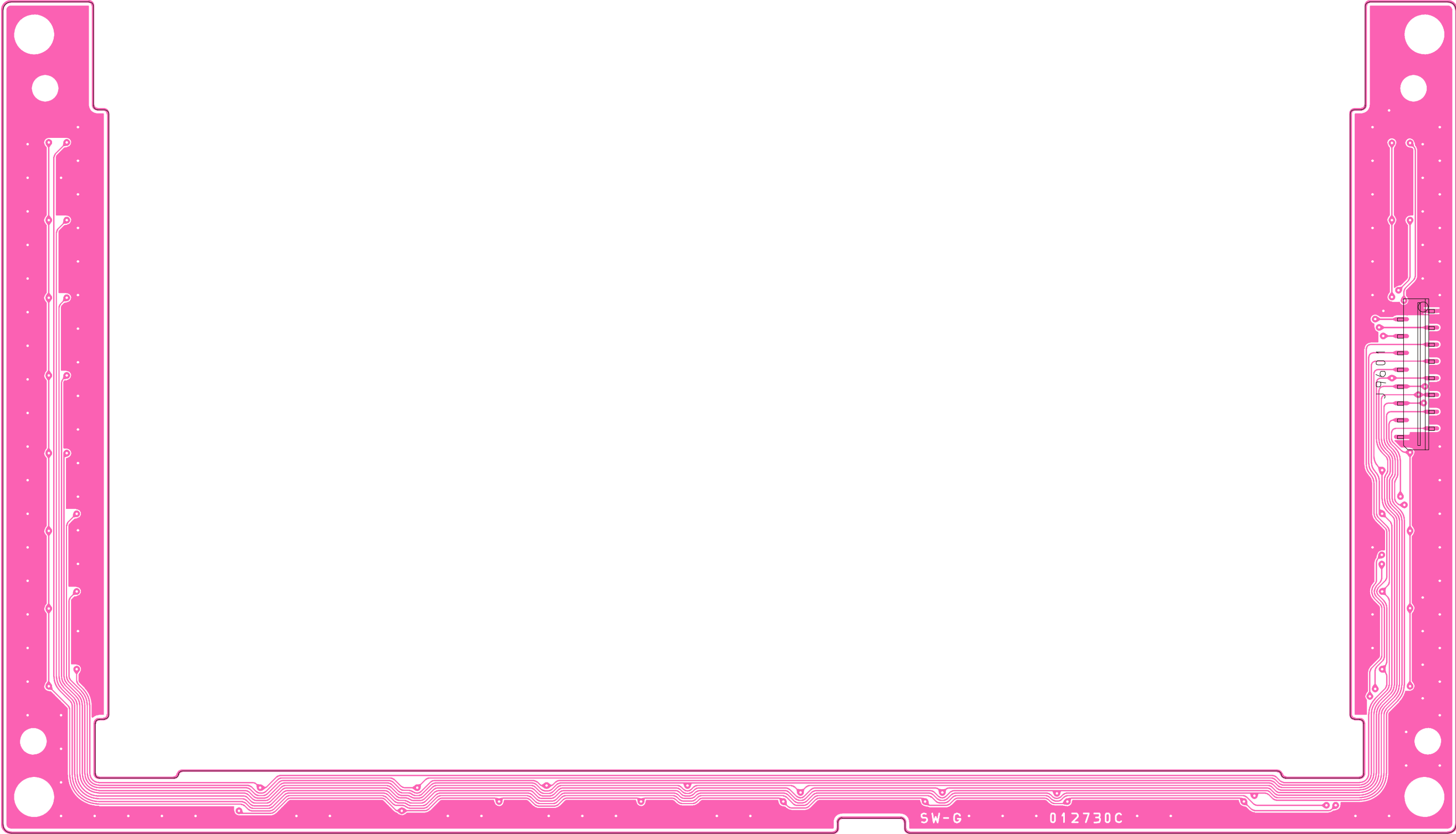
# SW-G Unit (D Type, TFT-9000)

## Parts Layout



Side A

SW-G Unit (D Type, TFT-9000)



Side B

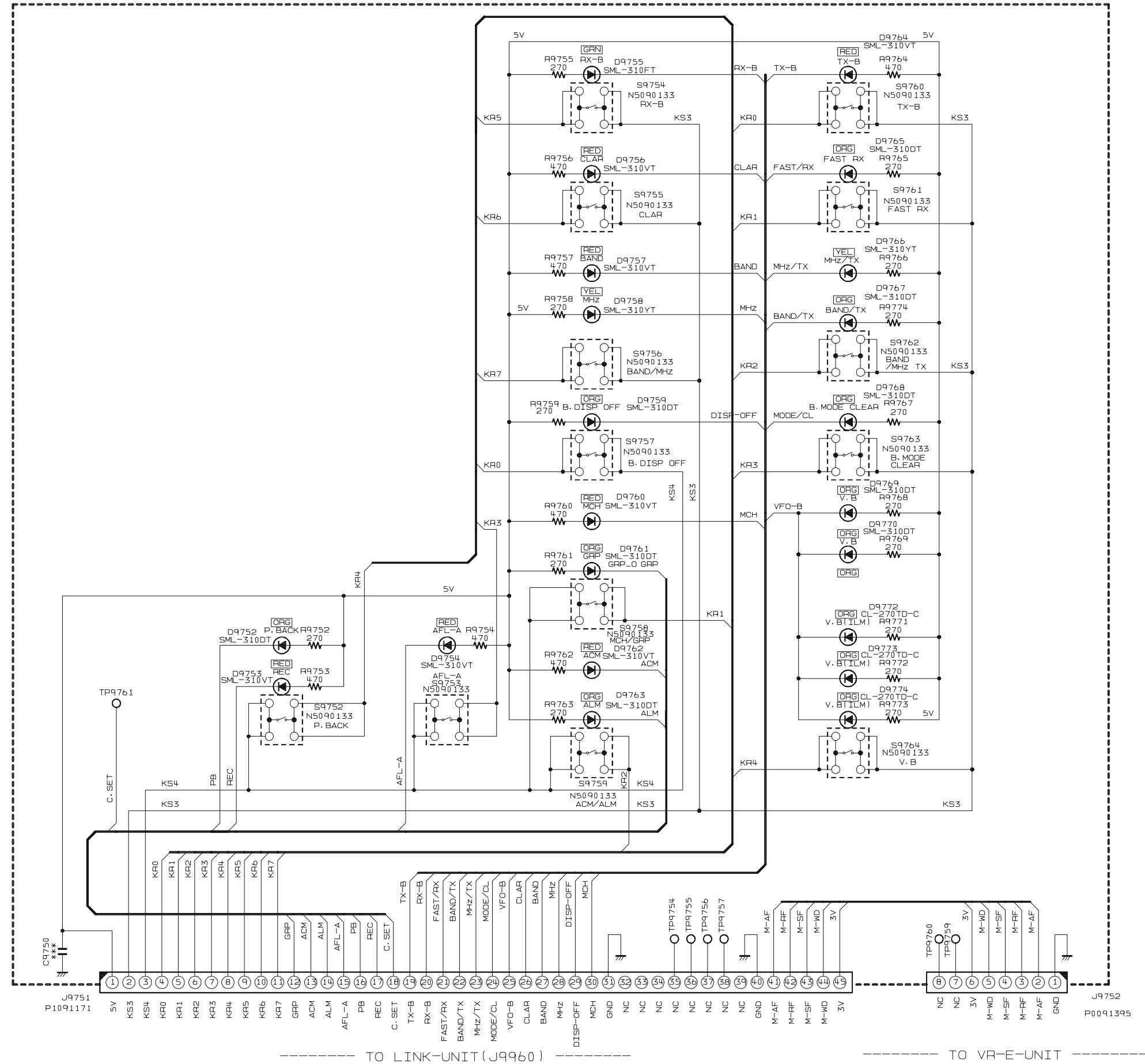
# SW-G Unit (D Type, TFT-9000)

## Parts List

REF	DESCRIPTION	VALUE	V/W	TOL.	MFR'S DESIG	VXSTD P/N	VERS.	LOT	SIDE	LAY ADR
PCB with Components						CB3051001				
Printed Circuit Board						FR0127300		1-		
D 9601	LED				SML-310DTT86KL	G2071024		1-	A	
D 9602	LED				SML-310DTT86KL	G2071024		1-	A	
D 9603	LED				SML-310DTT86KL	G2071024		1-	A	
J 9601	CONNECTOR				16FMN-BMTTN-A-TFT	P1091237		1-	B	
S 9601	TACT SWITCH				SKRPABE010	N5090133		1-	A	
S 9602	TACT SWITCH				SKRPABE010	N5090133		1-	A	
S 9603	TACT SWITCH				SKRPABE010	N5090133		1-	A	
S 9604	TACT SWITCH				SKRPABE010	N5090133		1-	A	
S 9605	TACT SWITCH				SKRPABE010	N5090133		1-	A	
S 9606	TACT SWITCH				SKRPABE010	N5090133		1-	A	
S 9607	TACT SWITCH				SKRPABE010	N5090133		1-	A	
S 9608	TACT SWITCH				SKRPABE010	N5090133		1-	A	
S 9609	TACT SWITCH				SKRPABE010	N5090133		1-	A	
S 9610	TACT SWITCH				SKRPABE010	N5090133		1-	A	
S 9611	TACT SWITCH				SKRPABE010	N5090133		1-	A	
S 9612	TACT SWITCH				SKRPABE010	N5090133		1-	A	
S 9613	TACT SWITCH				SKRPABE010	N5090133		1-	A	
S 9614	TACT SWITCH				SKRPABE010	N5090133		1-	A	
S 9615	TACT SWITCH				SKRPABE010	N5090133		1-	A	
S 9616	TACT SWITCH				SKRPABE010	N5090133		1-	A	
S 9617	TACT SWITCH				SKRPABE010	N5090133		1-	A	
S 9618	TACT SWITCH				SKRPABE010	N5090133		1-	A	
S 9619	TACT SWITCH				SKRPABE010	N5090133		1-	A	
S 9620	TACT SWITCH				SKRPABE010	N5090133		1-	A	
S 9621	TACT SWITCH				SKRPABE010	N5090133		1-	A	
S 9622	TACT SWITCH				SKRPABE010	N5090133		1-	A	
S 9623	TACT SWITCH				SKRPABE010	N5090133		1-	A	
S 9624	TACT SWITCH				SKRPABE010	N5090133		1-	A	

# *SW-G Unit (D Type, TFT-9000)*

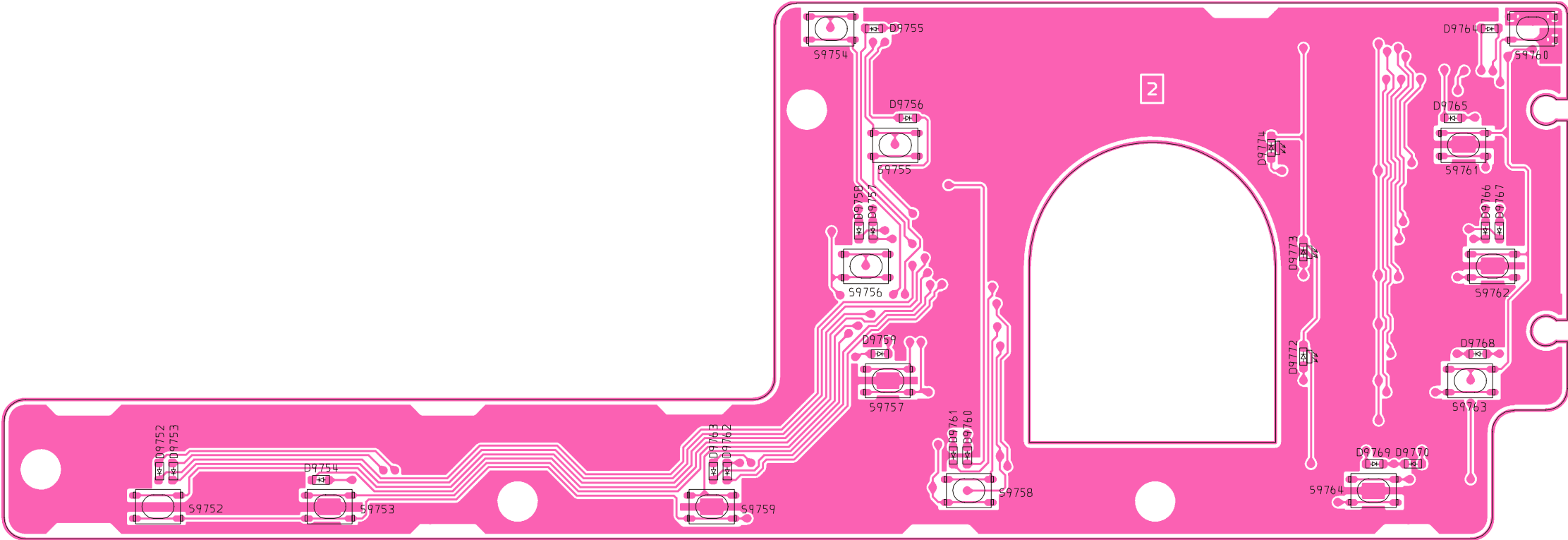
# SW-J Unit Circuit Diagram



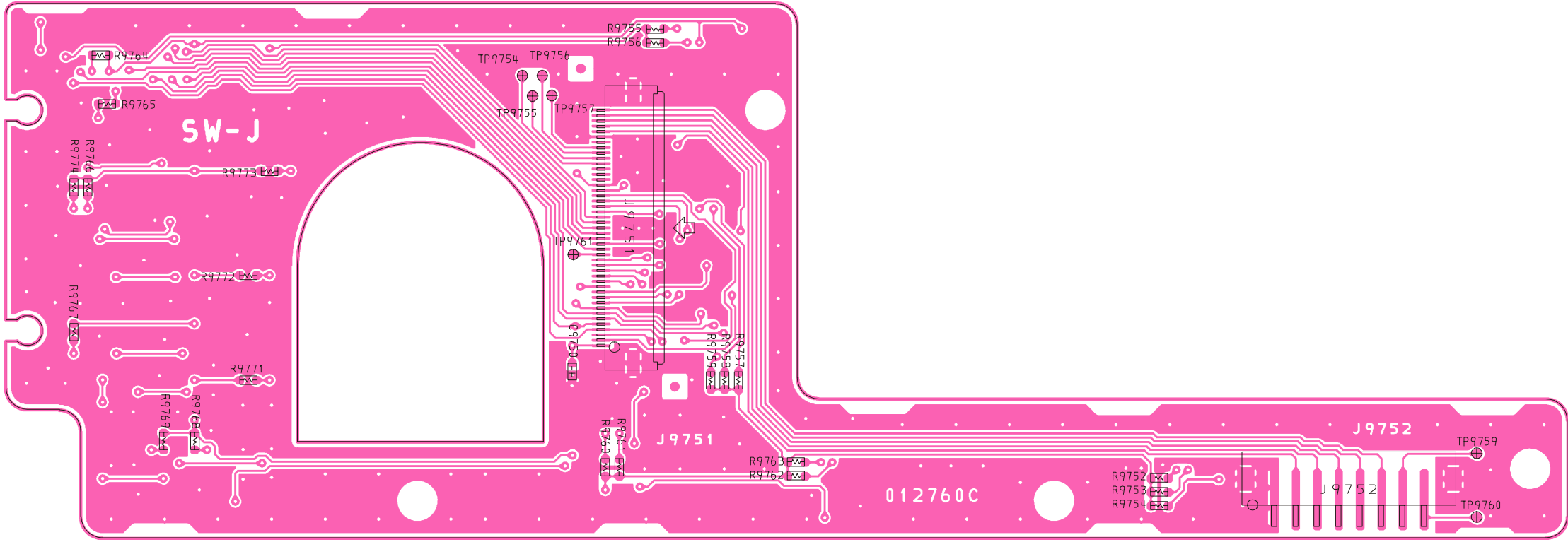
## *SW-J Unit*

*Note*





Side A



Side B

# SW-J Unit

## Parts List

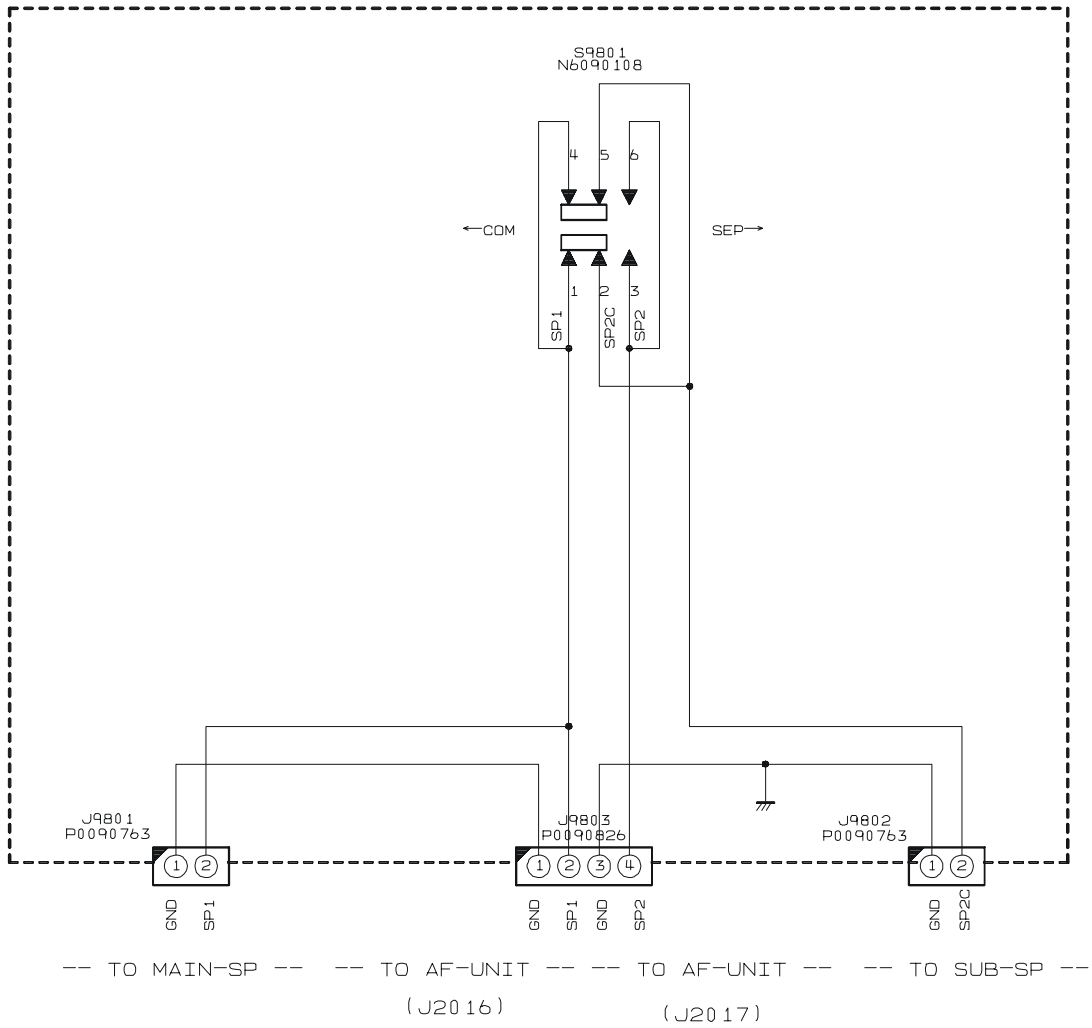
REF	DESCRIPTION	VALUE	V/W	TOL.	MFR'S DESIG	VXSTD P/N	VERS.	LOT	SIDE	LAY ADR
PCB with Components						CB3054001				
Printed Circuit Board						FR0127600		1-		
D 9752	LED				SML-310DTT86KL	G2071024		1-	A	
D 9753	LED				SML-310VTT86JK	G2071032		1-	A	
D 9754	LED				SML-310VTT86JK	G2071032		1-	A	
D 9755	LED				SML-310FTT86KL	G2071026		1-	A	
D 9756	LED				SML-310VTT86JK	G2071032		1-	A	
D 9757	LED				SML-310VTT86JK	G2071032		1-	A	
D 9758	LED				SML-310YTT86KL	G2071034		1-	A	
D 9759	LED				SML-310DTT86KL	G2071024		1-	A	
D 9760	LED				SML-310VTT86JK	G2071032		1-	A	
D 9761	LED				SML-310DTT86KL	G2071024		1-	A	
D 9762	LED				SML-310VTT86JK	G2071032		1-	A	
D 9763	LED				SML-310DTT86KL	G2071024		1-	A	
D 9764	LED				SML-310VTT86JK	G2071032		1-	A	
D 9765	LED				SML-310DTT86KL	G2071024		1-	A	
D 9766	LED				SML-310YTT86KL	G2071034		1-	A	
D 9767	LED				SML-310DTT86KL	G2071024		1-	A	
D 9768	LED				SML-310DTT86KL	G2071024		1-	A	
D 9769	LED				SML-310DTT86KL	G2071024		1-	A	
D 9770	LED				SML-310DTT86KL	G2071024		1-	A	
D 9772	LED				CL-270TD-C-TS	G2070930		1-	A	
D 9773	LED				CL-270TD-C-TS	G2070930		1-	A	
D 9774	LED				CL-270TD-C-TS	G2070930		1-	A	
J 9751	CONNECTOR				9637S-45-Y905	P1091171		1-	B	
J 9752	CONNECTOR				B8B-PH-SM3-TBT	P0091395		1-	B	
R 9752	CHIP RES.	270	1/16W	5%	RMC1/16 271JATP	J24185271		1-	B	
R 9753	CHIP RES.	470	1/16W	5%	RMC1/16 471JATP	J24185471		1-	B	
R 9754	CHIP RES.	470	1/16W	5%	RMC1/16 471JATP	J24185471		1-	B	
R 9755	CHIP RES.	270	1/16W	5%	RMC1/16 271JATP	J24185271		1-	B	
R 9756	CHIP RES.	470	1/16W	5%	RMC1/16 471JATP	J24185471		1-	B	
R 9757	CHIP RES.	470	1/16W	5%	RMC1/16 471JATP	J24185471		1-	B	
R 9758	CHIP RES.	270	1/16W	5%	RMC1/16 271JATP	J24185271		1-	B	
R 9759	CHIP RES.	270	1/16W	5%	RMC1/16 271JATP	J24185271		1-	B	
R 9760	CHIP RES.	470	1/16W	5%	RMC1/16 471JATP	J24185471		1-	B	
R 9761	CHIP RES.	270	1/16W	5%	RMC1/16 271JATP	J24185271		1-	B	
R 9762	CHIP RES.	470	1/16W	5%	RMC1/16 471JATP	J24185471		1-	B	
R 9763	CHIP RES.	270	1/16W	5%	RMC1/16 271JATP	J24185271		1-	B	
R 9764	CHIP RES.	470	1/16W	5%	RMC1/16 471JATP	J24185471		1-	B	
R 9765	CHIP RES.	270	1/16W	5%	RMC1/16 271JATP	J24185271		1-	B	
R 9766	CHIP RES.	270	1/16W	5%	RMC1/16 271JATP	J24185271		1-	B	
R 9767	CHIP RES.	270	1/16W	5%	RMC1/16 271JATP	J24185271		1-	B	
R 9768	CHIP RES.	270	1/16W	5%	RMC1/16 271JATP	J24185271		1-	B	
R 9769	CHIP RES.	270	1/16W	5%	RMC1/16 271JATP	J24185271		1-	B	
R 9771	CHIP RES.	270	1/16W	5%	RMC1/16 271JATP	J24185271		1-	B	
R 9772	CHIP RES.	270	1/16W	5%	RMC1/16 271JATP	J24185271		1-	B	
R 9773	CHIP RES.	270	1/16W	5%	RMC1/16 271JATP	J24185271		1-	B	
R 9774	CHIP RES.	270	1/16W	5%	RMC1/16 271JATP	J24185271		1-	B	
S 9752	TACT SWITCH				SKRPABE010	N5090133		1-	A	
S 9753	TACT SWITCH				SKRPABE010	N5090133		1-	A	
S 9754	TACT SWITCH				SKRPABE010	N5090133		1-	A	
S 9755	TACT SWITCH				SKRPABE010	N5090133		1-	A	
S 9756	TACT SWITCH				SKRPABE010	N5090133		1-	A	
S 9757	TACT SWITCH				SKRPABE010	N5090133		1-	A	
S 9758	TACT SWITCH				SKRPABE010	N5090133		1-	A	
S 9759	TACT SWITCH				SKRPABE010	N5090133		1-	A	
S 9760	TACT SWITCH				SKRPABE010	N5090133		1-	A	
S 9761	TACT SWITCH				SKRPABE010	N5090133		1-	A	
S 9762	TACT SWITCH				SKRPABE010	N5090133		1-	A	
S 9763	TACT SWITCH				SKRPABE010	N5090133		1-	A	
S 9764	TACT SWITCH				SKRPABE010	N5090133		1-	A	

# *SW-J Unit*

*Note*

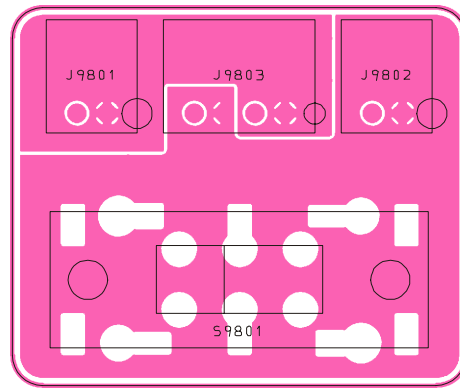
# SW-N Unit

## Circuit Diagram

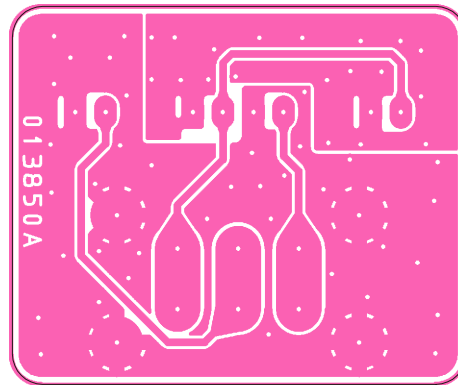


# SW-N Unit

## Parts Layout



Side A

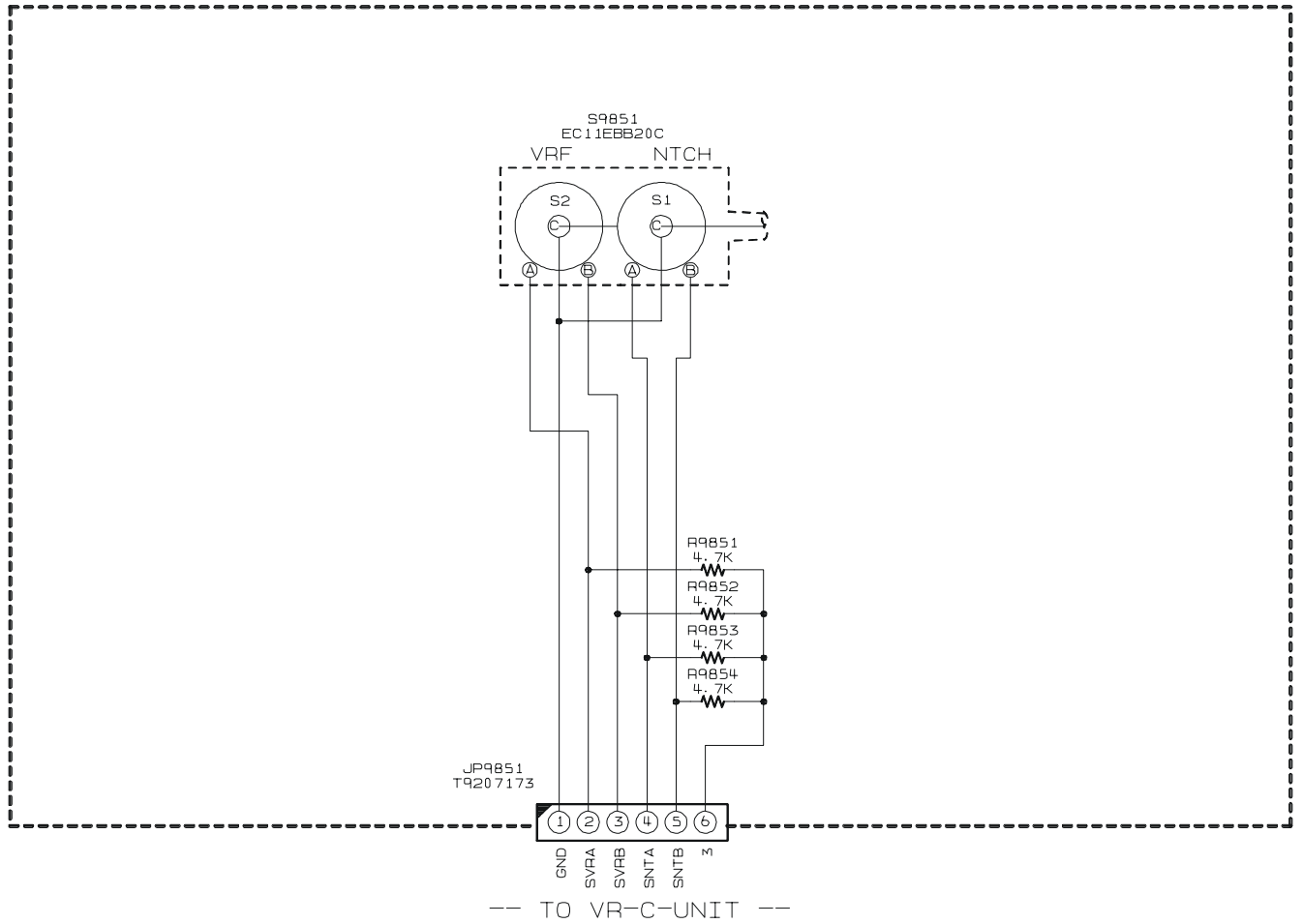


Side B

## Parts List

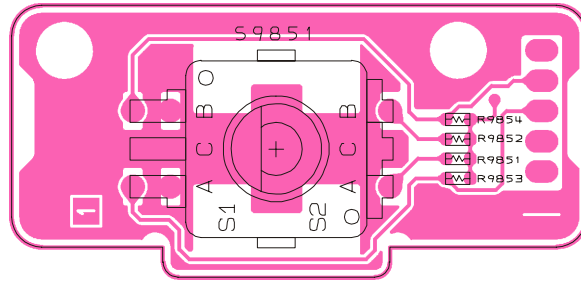
REF	DESCRIPTION	VALUE	V/W	TOL.	MFR'S DESIG	VXSTD P/N	VERS.	LOT	SIDE	LAY ADR
	PCB with Components					CB3309001				
	Printed Circuit Board					FR0138500		4-		
J 9801	CONNECTOR				SB20-02WL	P0090763		4-	A	
J 9802	CONNECTOR				SB20-02WL	P0090763		4-	A	
J 9803	CONNECTOR				SB20-04WL	P0090826		4-	A	
S 9801	SLIDE SWITCH				SSSB02150	N6090108		4-	A	

# ENC-A Unit Circuit Diagram

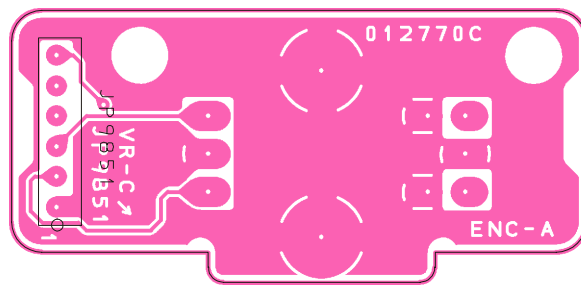


# ENC-A Unit

## Parts Layout



Side A



Side B

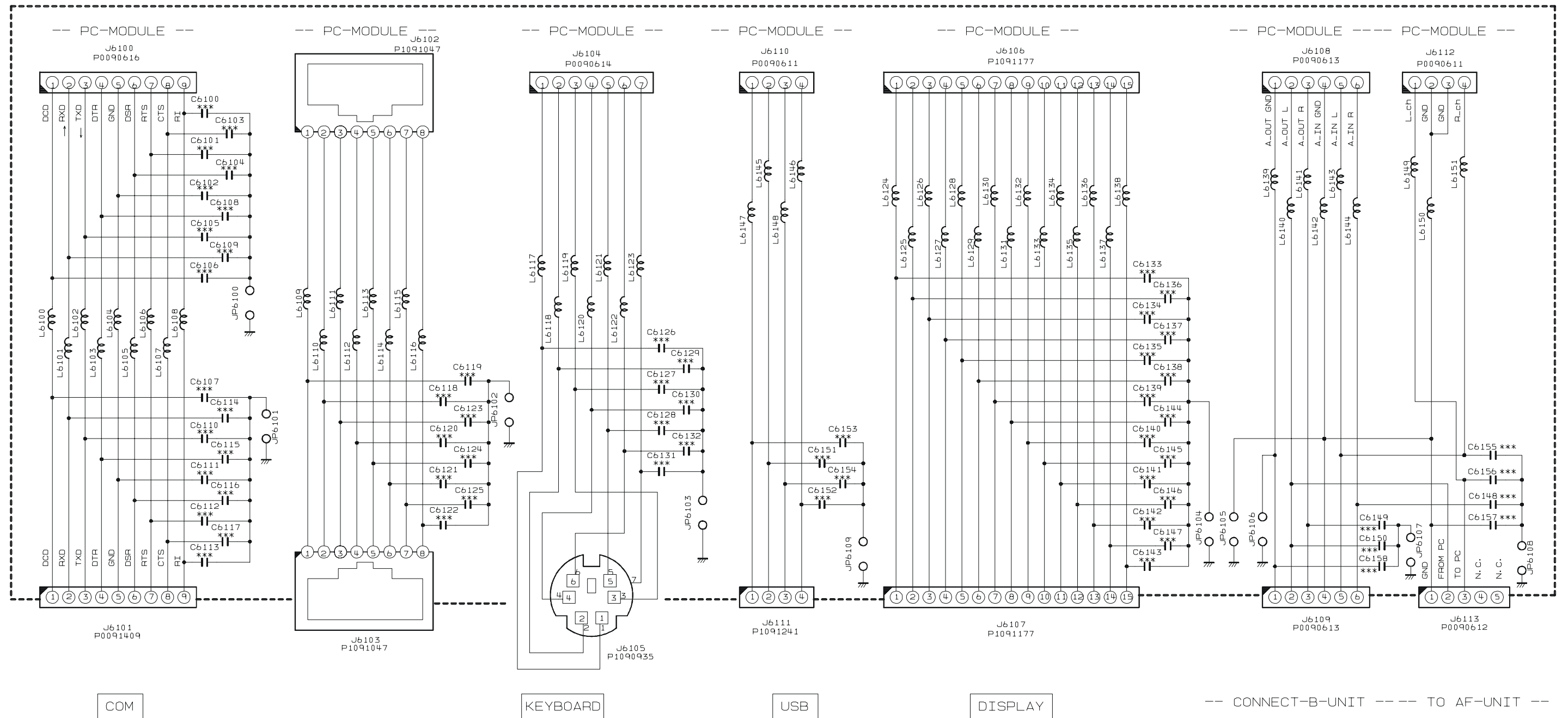
## Parts List

REF	DESCRIPTION	VALUE	V/W	TOL.	MFR'S DESIG	VXSTD P/N	VERS.	LOT	SIDE	LAY ADR
PCB with Components						CB3055001				
Printed Circuit Board						FR0127700		1-		
JP9851	WIRE ASSY				AH010H	T9207173		1-	B	
R 9851	CHIP RES.	4.7k	1/16W	5%	RMC1/16 472JATP	J24185472		1-	A	
R 9852	CHIP RES.	4.7k	1/16W	5%	RMC1/16 472JATP	J24185472		1-	A	
R 9853	CHIP RES.	4.7k	1/16W	5%	RMC1/16 472JATP	J24185472		1-	A	
R 9854	CHIP RES.	4.7k	1/16W	5%	RMC1/16 472JATP	J24185472		1-	A	
S 9851	ROTARY ENCODER				EC11EBB20C	Q9000823		1-	A	



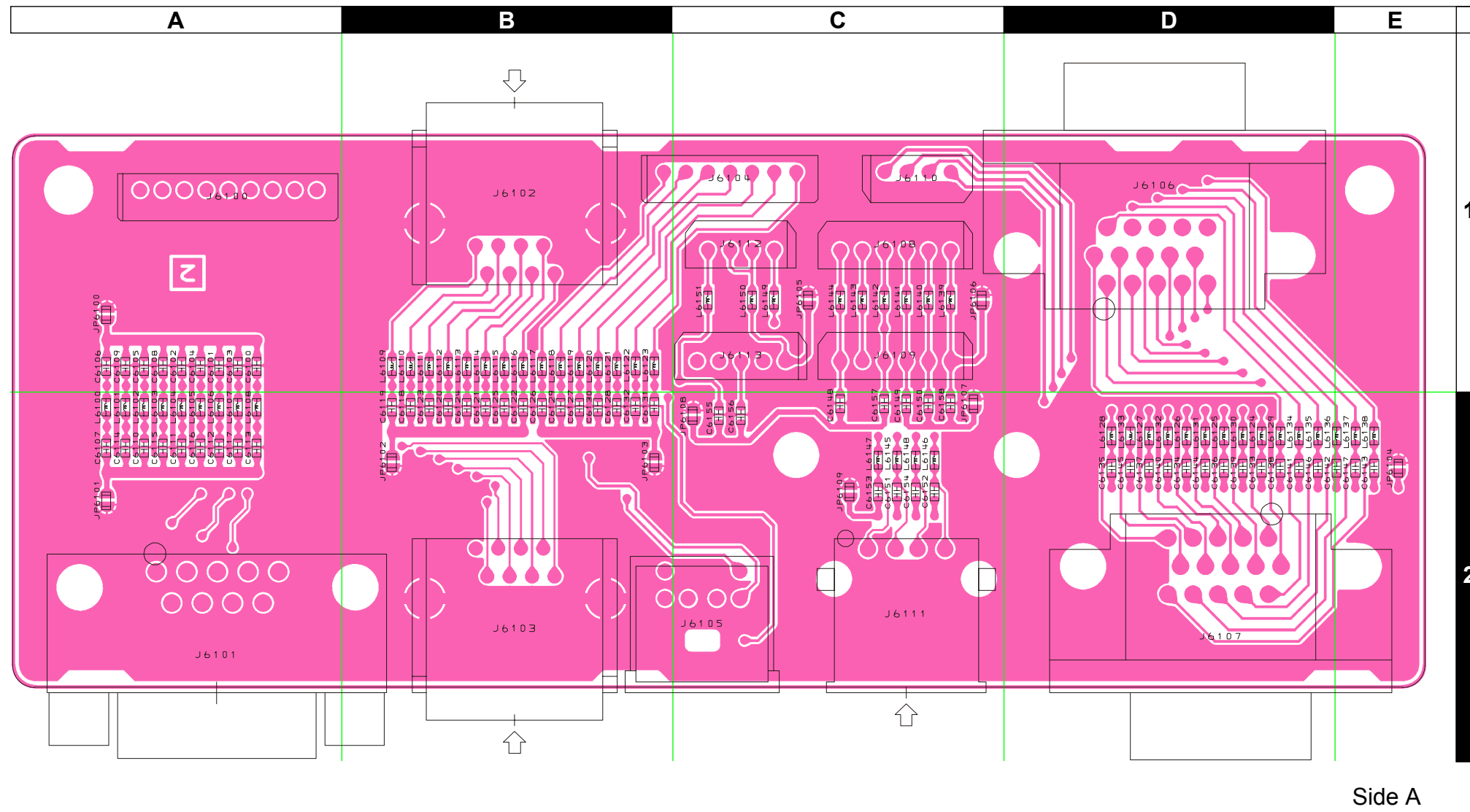
# CONNECT-A Unit (D, MP Type, DMU-9000)

## Circuit Diagram

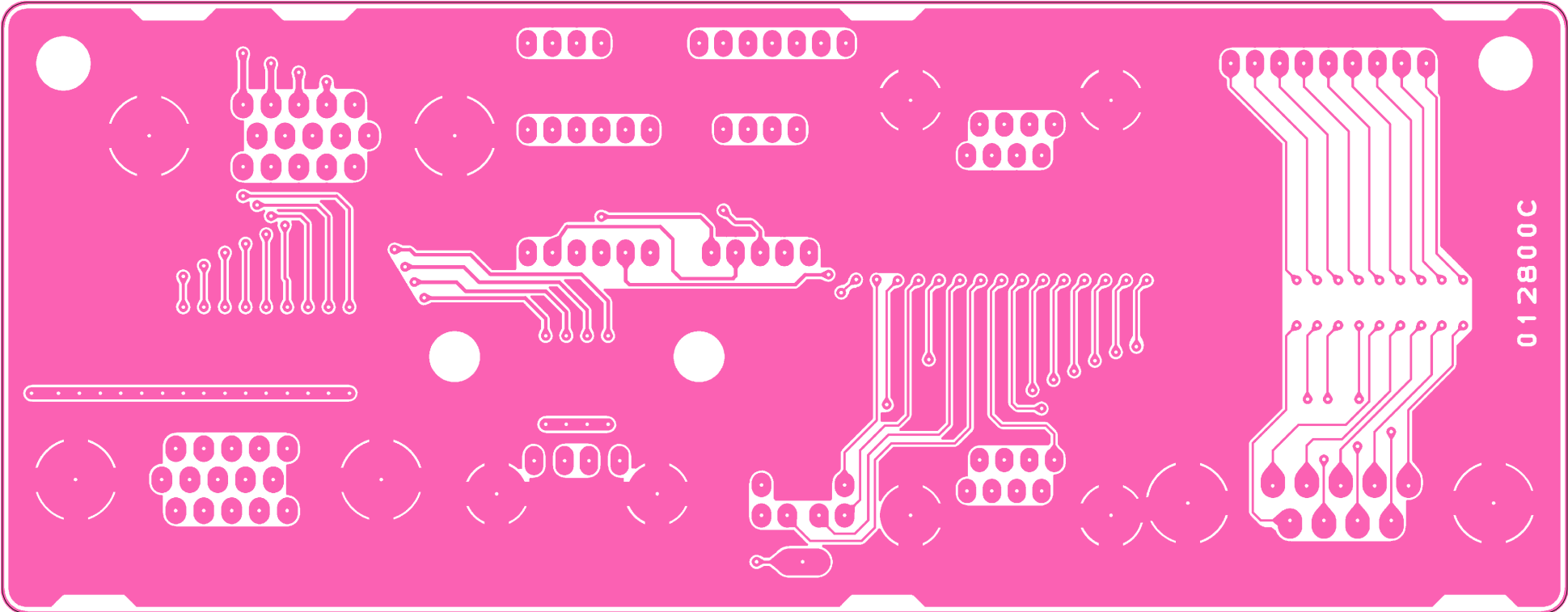


***CONNECT-A Unit (D, MP Type, DMU-9000)***

*Note*



*CONNECT-A Unit (D, MP Type, DMU-9000)*



Side B

# CONNECT-A Unit (D,MP Type, DMU-9000)

## Parts List

REF	DESCRIPTION	VALUE	V/W	TOL.	MFR'S DESIG	VXSTD P/N	VERS.	LOT	SIDE	LAY ADR
	PCB with Components					CB3058002	W/MEMORY			
	PCB with Components					CB3058003	CE Type, W/MEMORY			
	Printed Circuit Board					FR0128000		1-3		
	Printed Circuit Board					FR0128000		4-		
J 6100	CONNECTOR				SB20-09WS	P0090616		4-	A	A1
J 6101	CONNECTOR				XM2C-0942-232L	P0091409		4-	A	A2
J 6102	CONNECTOR				R41-4904H	P1091047		4-	A	B1
J 6103	CONNECTOR				R41-4904H	P1091047		4-	A	B2
J 6104	CONNECTOR				SB20-07WS	P0090614		4-	A	B1
J 6105	CONNECTOR				MDC-086	P1090935		4-	A	C2
J 6106	CONNECTOR				AE0195-00	P1091177		4-	A	D1
J 6107	CONNECTOR				AE0195-00	P1091177		4-	A	D2
J 6108	CONNECTOR				SB20-06WS	P0090613		4-	A	C1
J 6109	CONNECTOR				SB20-06WS	P0090613		4-	A	C1
J 6110	CONNECTOR				SB20-04WS	P0090611		4-	A	C1
J 6111	CONNECTOR				XM7A-0442	P1091241		4-	A	C2
J 6112	CONNECTOR				SB20-04WS	P0090611		4-	A	C1
J 6113	CONNECTOR				SB20-05WS	P0090612		4-	A	C1
J 9861	CONNECTOR				SB20-09WS	P0090616		1-3		
J 9862	CONNECTOR				XM2C-0942-232L	P0091409		1-3		
J 9863	CONNECTOR				R41-4904H	P1091047		1-3		
J 9864	CONNECTOR				R41-4904H	P1091047		1-3		
J 9865	CONNECTOR				SB20-07WS	P0090614		1-3		
J 9866	CONNECTOR				MDC-086	P1090935		1-3		
J 9868	CONNECTOR				XM7A-0442	P1091241		1-3		
J 9869	CONNECTOR				AE0195-00	P1091177		1-3		
J 9870	CONNECTOR				AE0195-00	P1091177		1-3		
J 9871	CONNECTOR				SB20-06WS	P0090613		1-3		
J 9872	CONNECTOR				SB20-06WS	P0090613		1-3		
J 9873	CONNECTOR				SB20-04WS	P0090611		1-3		
J 9874	CONNECTOR				SB20-05WS	P0090612		1-3		
J 9875	CONNECTOR				SB20-04WS	P0090611		1-3		
JP6105	CHIP RES.	0	1/16W	5%	RMC1/16 000JATP	J24185000		4-	A	C1
JP9860	WIRE ASSY				GRN 30 2/2	T50503000		1-3		
JP9861	WIRE ASSY				GRN 30 2/2	T50503000		1-3		
L 6100	CHIP RES.	0	1/16W	5%	RMC1/16 000JATP	J24185000		4-	A	A1
L 6101	CHIP RES.	0	1/16W	5%	RMC1/16 000JATP	J24185000		4-	A	A1
L 6102	CHIP RES.	0	1/16W	5%	RMC1/16 000JATP	J24185000		4-	A	A1
L 6103	CHIP RES.	0	1/16W	5%	RMC1/16 000JATP	J24185000		4-	A	A1
L 6104	CHIP RES.	0	1/16W	5%	RMC1/16 000JATP	J24185000		4-	A	A1
L 6105	CHIP RES.	0	1/16W	5%	RMC1/16 000JATP	J24185000		4-	A	A1
L 6106	CHIP RES.	0	1/16W	5%	RMC1/16 000JATP	J24185000		4-	A	A1
L 6107	CHIP RES.	0	1/16W	5%	RMC1/16 000JATP	J24185000		4-	A	A1
L 6108	CHIP RES.	0	1/16W	5%	RMC1/16 000JATP	J24185000		4-	A	A1
L 6109	CHIP RES.	0	1/16W	5%	RMC1/16 000JATP	J24185000		4-	A	B1
L 6110	CHIP RES.	0	1/16W	5%	RMC1/16 000JATP	J24185000		4-	A	B1
L 6111	CHIP RES.	0	1/16W	5%	RMC1/16 000JATP	J24185000		4-	A	B1
L 6112	CHIP RES.	0	1/16W	5%	RMC1/16 000JATP	J24185000		4-	A	B1
L 6113	CHIP RES.	0	1/16W	5%	RMC1/16 000JATP	J24185000		4-	A	B1
L 6114	CHIP RES.	0	1/16W	5%	RMC1/16 000JATP	J24185000		4-	A	B1
L 6115	CHIP RES.	0	1/16W	5%	RMC1/16 000JATP	J24185000		4-	A	B1
L 6116	CHIP RES.	0	1/16W	5%	RMC1/16 000JATP	J24185000		4-	A	B1
L 6117	CHIP RES.	0	1/16W	5%	RMC1/16 000JATP	J24185000		4-	A	B1
L 6118	CHIP RES.	0	1/16W	5%	RMC1/16 000JATP	J24185000		4-	A	B1
L 6119	CHIP RES.	0	1/16W	5%	RMC1/16 000JATP	J24185000		4-	A	B1
L 6120	CHIP RES.	0	1/16W	5%	RMC1/16 000JATP	J24185000		4-	A	B1
L 6121	CHIP RES.	0	1/16W	5%	RMC1/16 000JATP	J24185000		4-	A	B1
L 6122	CHIP RES.	0	1/16W	5%	RMC1/16 000JATP	J24185000		4-	A	B1
L 6123	CHIP RES.	0	1/16W	5%	RMC1/16 000JATP	J24185000		4-	A	B1
L 6124	CHIP RES.	0	1/16W	5%	RMC1/16 000JATP	J24185000		4-	A	D1
L 6125	CHIP RES.	0	1/16W	5%	RMC1/16 000JATP	J24185000		4-	A	D1
L 6126	CHIP RES.	0	1/16W	5%	RMC1/16 000JATP	J24185000		4-	A	D1
L 6127	CHIP RES.	0	1/16W	5%	RMC1/16 000JATP	J24185000		4-	A	D1
L 6128	CHIP RES.	0	1/16W	5%	RMC1/16 000JATP	J24185000		4-	A	D1
L 6129	CHIP RES.	0	1/16W	5%	RMC1/16 000JATP	J24185000		4-	A	D1
L 6130	CHIP RES.	0	1/16W	5%	RMC1/16 000JATP	J24185000		4-	A	D1
L 6131	CHIP RES.	0	1/16W	5%	RMC1/16 000JATP	J24185000		4-	A	D1
L 6132	CHIP RES.	0	1/16W	5%	RMC1/16 000JATP	J24185000		4-	A	D1
L 6133	CHIP RES.	0	1/16W	5%	RMC1/16 000JATP	J24185000		4-	A	D1
L 6134	CHIP RES.	0	1/16W	5%	RMC1/16 000JATP	J24185000		4-	A	D1
L 6135	CHIP RES.	0	1/16W	5%	RMC1/16 000JATP	J24185000		4-	A	D1
L 6136	CHIP RES.	0	1/16W	5%	RMC1/16 000JATP	J24185000		4-	A	E1
L 6137	CHIP RES.	0	1/16W	5%	RMC1/16 000JATP	J24185000		4-	A	E1

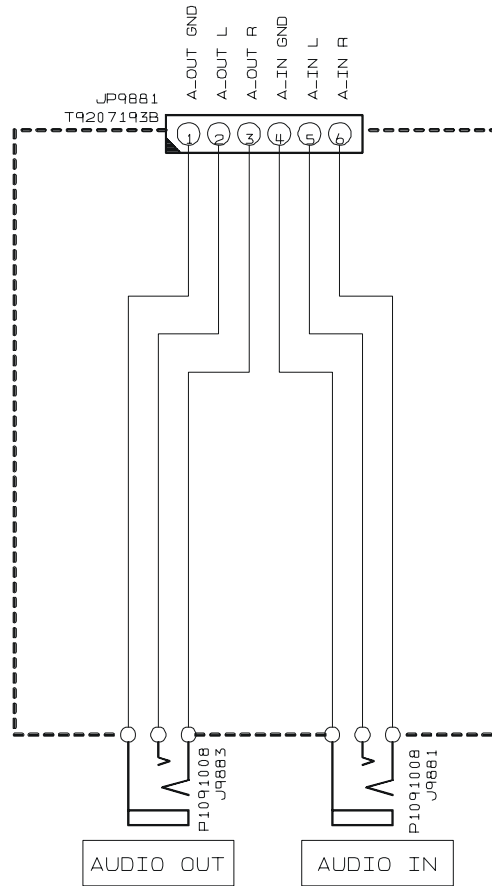
# CONNECT-A Unit (D,MP Type, DMU-9000)

## Parts List

REF	DESCRIPTION	VALUE	V/W	TOL.	MFR'S DESIG	VXSTD P/N	VERS.	LOT	SIDE	LAY ADR
L 6138	CHIP RES.	0	1/16W	5%	RMC1/16 000JATP	J24185000		4-	A	E1
L 6139	CHIP RES.	0	1/16W	5%	RMC1/16 000JATP	J24185000		4-	A	C1
L 6140	CHIP RES.	0	1/16W	5%	RMC1/16 000JATP	J24185000		4-	A	C1
L 6141	CHIP RES.	0	1/16W	5%	RMC1/16 000JATP	J24185000		4-	A	C1
L 6142	CHIP RES.	0	1/16W	5%	RMC1/16 000JATP	J24185000		4-	A	C1
L 6143	CHIP RES.	0	1/16W	5%	RMC1/16 000JATP	J24185000		4-	A	C1
L 6144	CHIP RES.	0	1/16W	5%	RMC1/16 000JATP	J24185000		4-	A	C1
L 6145	CHIP RES.	0	1/16W	5%	RMC1/16 000JATP	J24185000		4-	A	C1
L 6146	CHIP RES.	0	1/16W	5%	RMC1/16 000JATP	J24185000		4-	A	C1
L 6147	CHIP RES.	0	1/16W	5%	RMC1/16 000JATP	J24185000		4-	A	C1
L 6148	CHIP RES.	0	1/16W	5%	RMC1/16 000JATP	J24185000		4-	A	C1
L 6149	CHIP RES.	0	1/16W	5%	RMC1/16 000JATP	J24185000		4-	A	C1
L 6150	CHIP RES.	0	1/16W	5%	RMC1/16 000JATP	J24185000		4-	A	C1
L 6151	CHIP RES.	0	1/16W	5%	RMC1/16 000JATP	J24185000		4-	A	C1

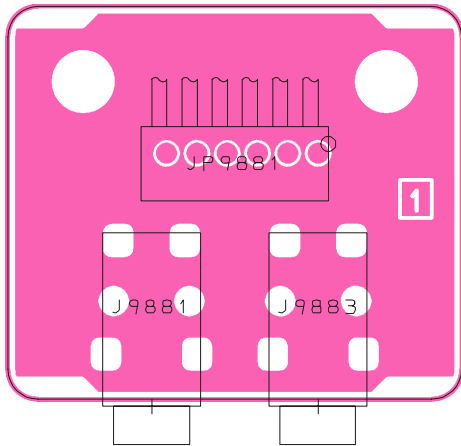
# CONNECT-B Unit (D, Contest Type, DMU-9000)

## Circuit Diagram

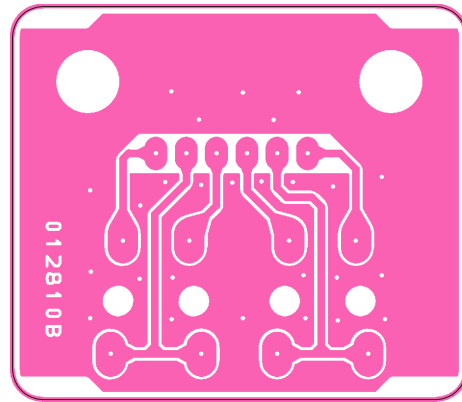


# CONNECT-B Unit (D, Contest Type, DMU-9000)

## Parts Layout



Side A



Side B

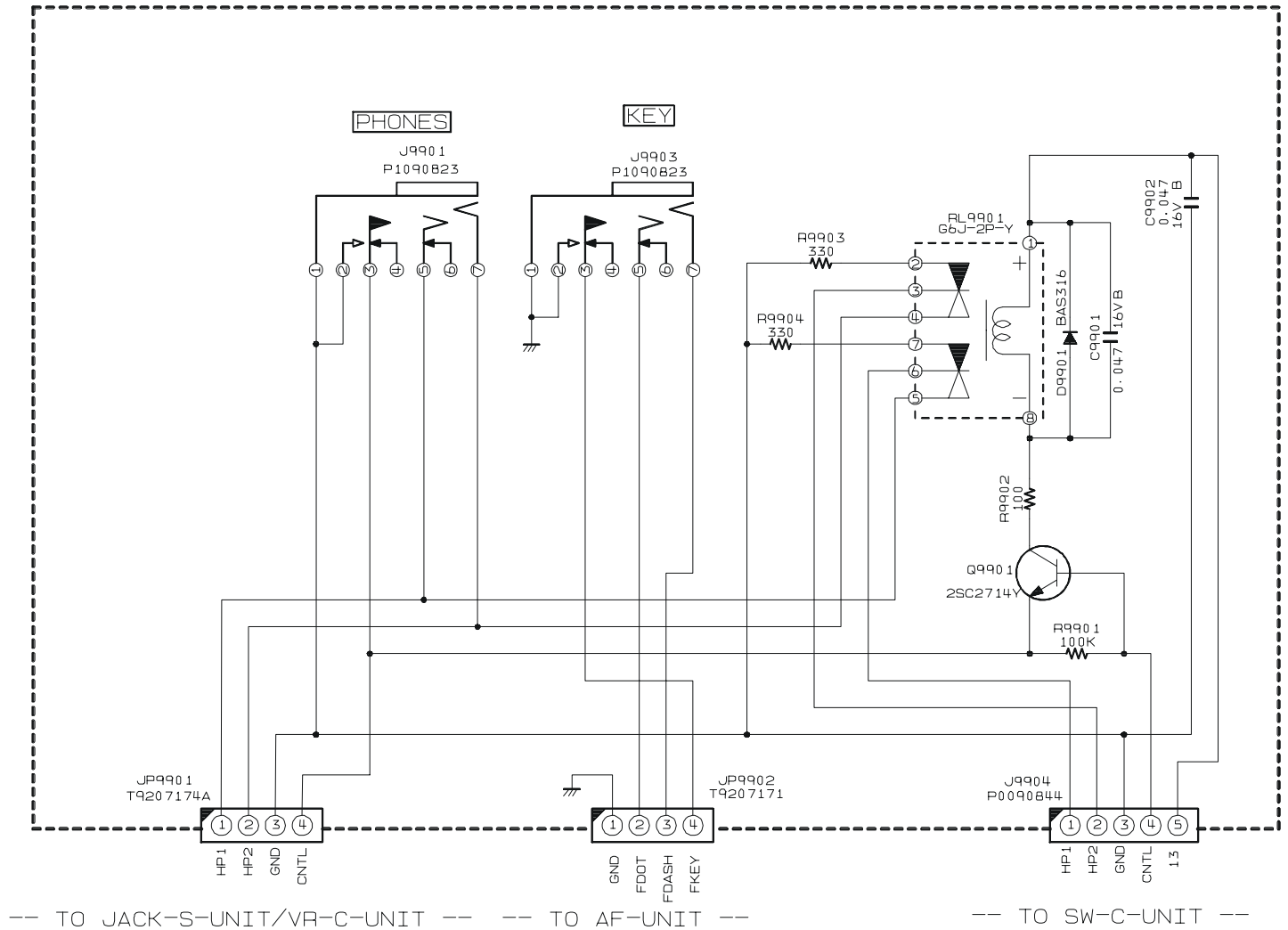
## Parts List

REF	DESCRIPTION	VALUE	V/W	TOL.	MFR'S DESIG	VXSTD P/N	VERS.	LOT	SIDE	LAY ADR
	PCB with Components					CB3059001	W/MEMORY			
	Printed Circuit Board					FR0128100		1-		
J 9881	CONNECTOR				MX345GLB	P1091008		1-		
J 9883	CONNECTOR				MX345GLB	P1091008		1-		
JP9881	WIRE ASSY				AH010H	T9207193B		1-		



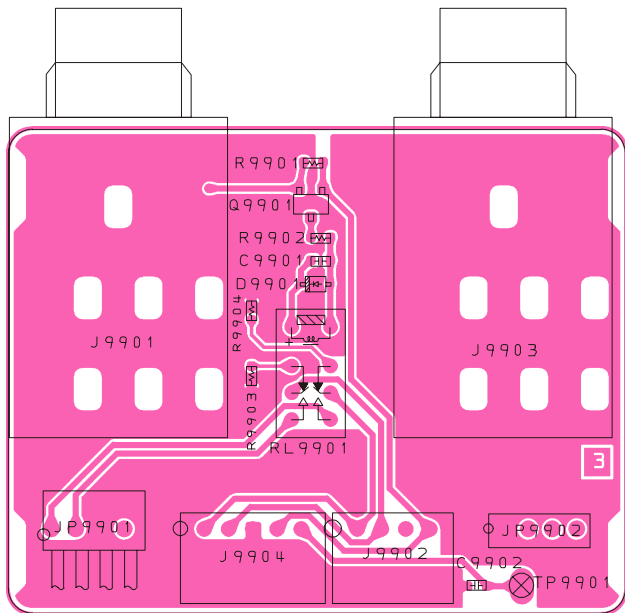
# JACK Unit

## Circuit Diagram

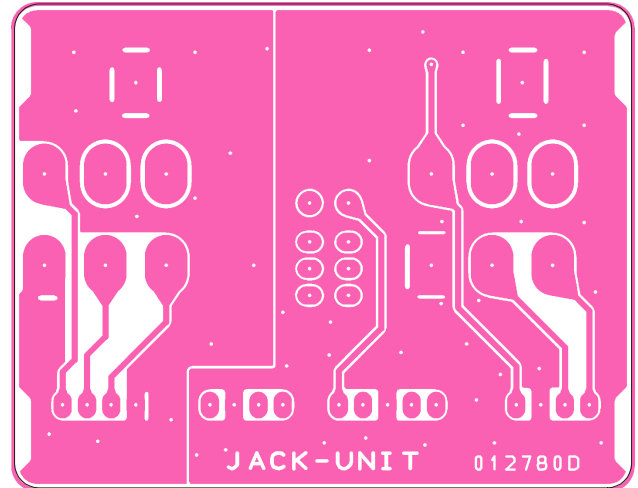


# JACK Unit

## Parts Layout



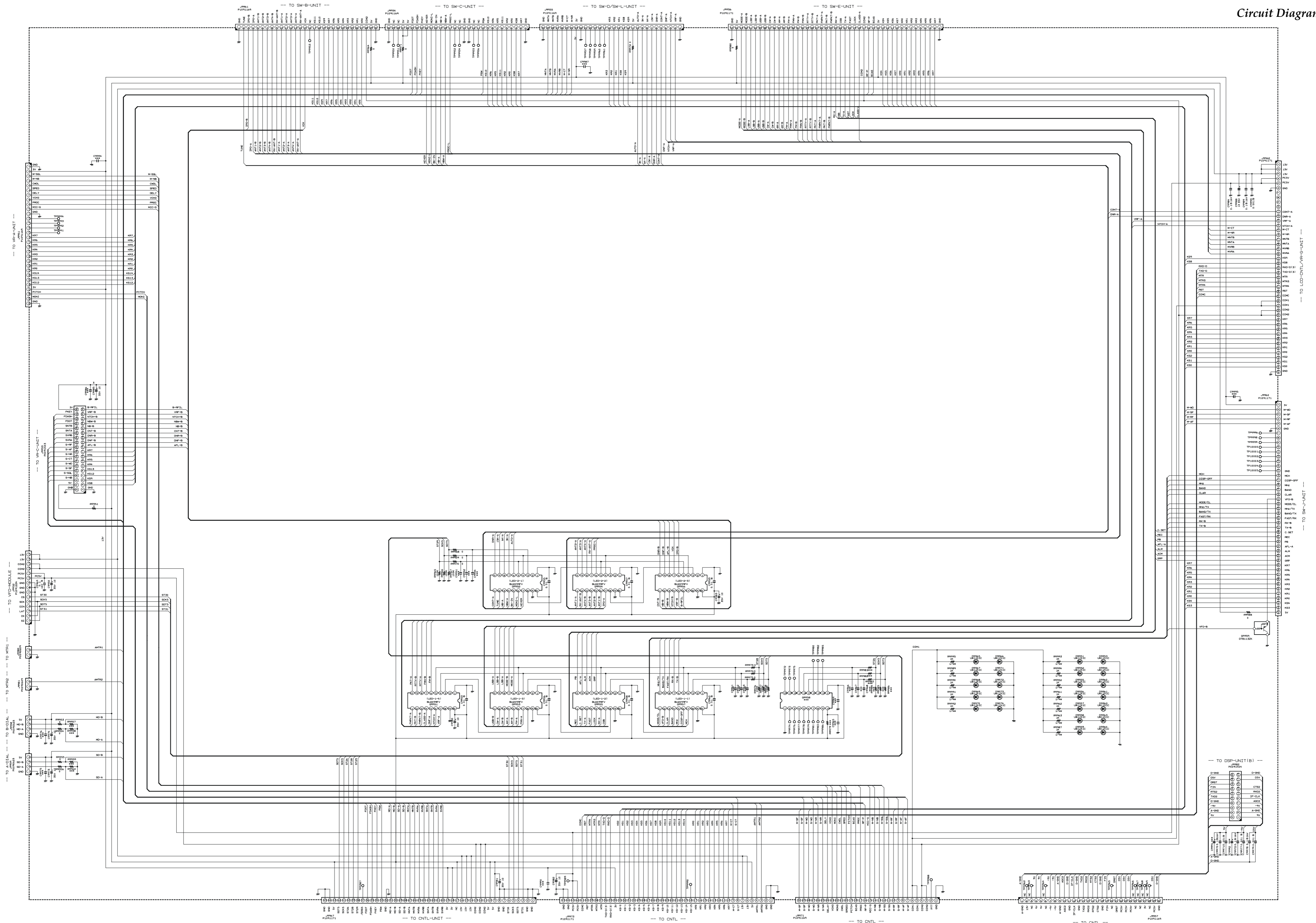
Side A



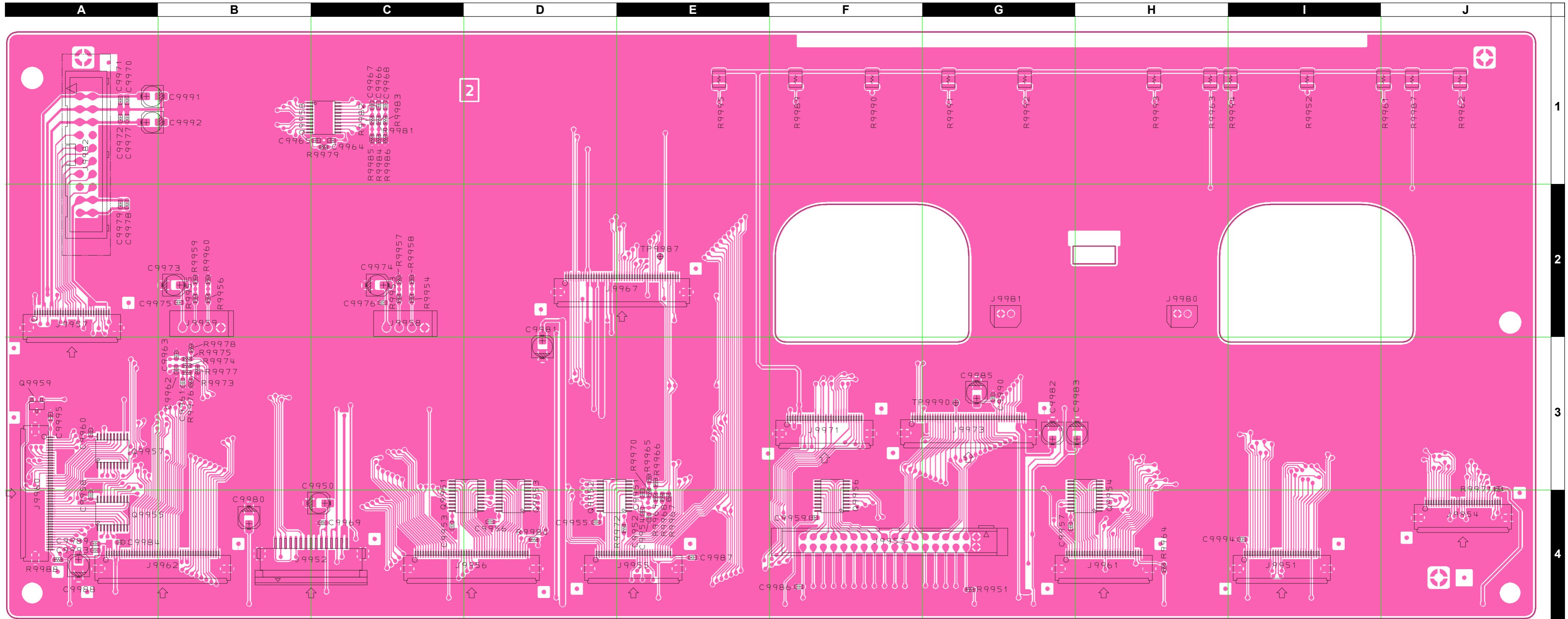
Side B

## Parts List

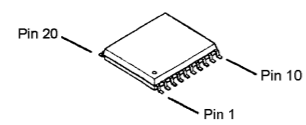
REF	DESCRIPTION	VALUE	V/W	TOL.	MFR'S DESIG	VXSTD P/N	VERS.	LOT	SIDE	LAY ADR
PCB with Components						CB3056001				
Printed Circuit Board						FR012780D		1-		
C 9901	CHIP CAP.	0.047uF	16V	B	GRM39B473K16PT	K22124804		1-	A	
C 9902	CHIP CAP.	0.047uF	16V	B	GRM39B473K16PT	K22124804		1-	A	
D 9901	DIODE				BAS316	G2070716		1-	A	
J 9901	CONNECTOR				HLJ2305-01-3060-01	P1090823		1-	A	
J 9902	CONNECTOR				SB20-04WL	P0090826		1-3	A	
J 9903	CONNECTOR				HLJ2305-01-3060-01	P1090823		1-	A	
J 9904	CONNECTOR				SB20-05WL	P0090844		1-	A	
JP9901	WIRE ASSY				AH010H	T9207174A		1-	A	
JP9902	WIRE ASSY				AH010H	T9207171		1-	A	
JP9903	WIRE ASSY				GRN 90 2/2	T50509000		1		
Q 9901	TRANSISTOR				2SC2714YTE85R	G3327147Y		1-	A	
R 9901	CHIP RES.	100k	1/16W	5%	RMC1/16 104JATP	J24185104		1-	A	
R 9902	CHIP RES.	100	1/16W	5%	RMC1/16 101JATP	J24185101		1-	A	
R 9903	CHIP RES.	330	1/16W	5%	RMC1/16 331JATP	J24185331		1-	A	
R 9904	CHIP RES.	330	1/16W	5%	RMC1/16 331JATP	J24185331		1-	A	
RL9901	RELAY		DC12V		G6J-2P-Y DC12V	M1190190		1-	A	



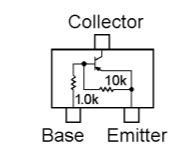




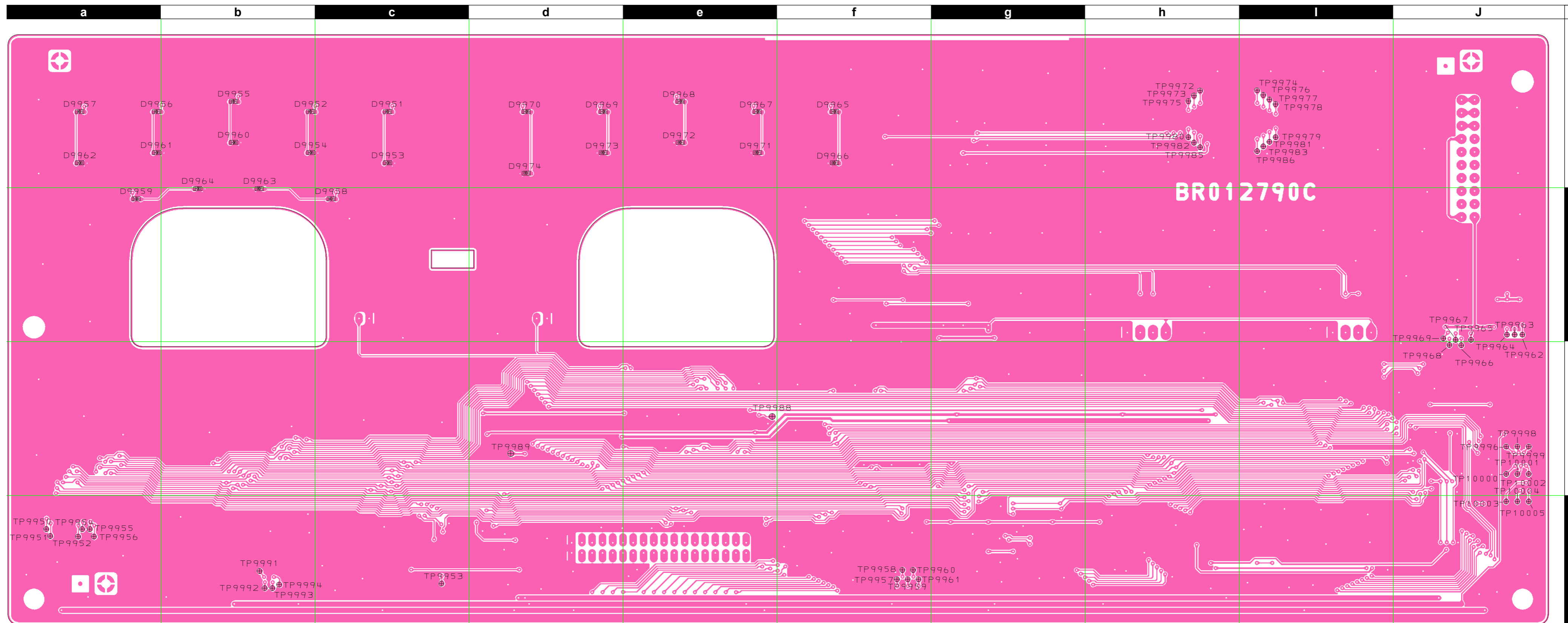
Side A



BU2099F-V-E2  
(Q9951, 9952, 9953,  
9954, 9955, 9956,  
9957)



DTB113ZK (G11)  
(Q9959)



Side B

REF	DESCRIPTION	VALUE	V/W	TOL.	MFR'S DESIG	VXSTD P/N	VERS.	LOT	SIDE	LAY ADR
PCB with Components						CB3057001				
Printed Circuit Board						FR012790C		1-		
C 9950	AL.ELECTRO.CAP.	10uF	35V		ECEV1VA100WR	K48160004		1-	A	C4
C 9953	CHIP CAP.	0.01uF	50V	B	GRM188B11H103KA01D	K22174823		1-	A	C4
C 9955	CHIP CAP.	0.01uF	50V	B	GRM188B11H103KA01D	K22174823		1-	A	D4
C 9956	CHIP CAP.	0.01uF	50V	B	GRM188B11H103KA01D	K22174823		1-	A	D4
C 9957	CHIP CAP.	0.01uF	50V	B	GRM188B11H103KA01D	K22174823		1-	A	G4
C 9958	CHIP CAP.	0.01uF	50V	B	GRM188B11H103KA01D	K22174823		1-	A	A4
C 9959	CHIP CAP.	0.01uF	50V	B	GRM188B11H103KA01D	K22174823		1-	A	F4
C 9960	CHIP CAP.	0.01uF	50V	B	GRM188B11H103KA01D	K22174823		1-	A	A3
C 9969	CHIP CAP.	0.1uF	16V	B	GRM188B11C104KA01D	K22124805		1-	A	C4
C 9970	CHIP CAP.	0.1uF	16V	B	GRM188B11C104KA01D	K22124805		1-	A	A1
C 9971	CHIP CAP.	0.001uF	50V	B	GRM188B11H102KA01D	K22174821		1-	A	A1
C 9972	CHIP CAP.	0.1uF	16V	B	GRM188B11C104KA01D	K22124805		1-	A	A1
C 9973	AL.ELECTRO.CAP.	10uF	35V		ECEV1VA100WR	K48160004		1-	A	B2
C 9974	AL.ELECTRO.CAP.	10uF	35V		ECEV1VA100WR	K48160004		1-	A	C2
C 9977	CHIP CAP.	0.001uF	50V	B	GRM188B11H102KA01D	K22174821		1-	A	A1
C 9978	CHIP CAP.	0.1uF	16V	B	GRM188B11C104KA01D	K22124805		1-	A	A2
C 9979	CHIP CAP.	0.001uF	50V	B	GRM188B11H102KA01D	K22174821		1-	A	A2
C 9980	AL.ELECTRO.CAP.	10uF	35V		ECEV1VA100WR	K48160004		1-	A	B4
C 9981	AL.ELECTRO.CAP.	10uF	35V		ECEV1VA100WR	K48160004		1-	A	D3
C 9982	AL.ELECTRO.CAP.	10uF	35V		ECEV1VA100WR	K48160004		1-	A	G3
C 9983	AL.ELECTRO.CAP.	10uF	35V		ECEV1VA100WR	K48160004		1-	A	H3
C 9984	CHIP CAP.	0.1uF	16V	B	GRM188B11C104KA01D	K22124805		1-	A	A4
C 9985	AL.ELECTRO.CAP.	10uF	35V		ECEV1VA100WR	K48160004		1-	A	G3
C 9988	AL.ELECTRO.CAP.	10uF	35V		ECEV1VA100WR	K48160004		1-	A	A4
C 9989	CHIP CAP.	0.1uF	16V	B	GRM188B11C104KA01D	K22124805		1-	A	A4
C 9993	CHIP CAP.	0.001uF	50V	B	GRM188B11H102KA01D	K22174821		1-	A	A4
D 9951	LED				UW1141C-TR	G2071010		1-	B	c1
D 9952	LED				UW1141C-TR	G2071010		1-	B	b1
D 9953	LED				UW1141C-TR	G2071010		1-	B	c1
D 9954	LED				UW1141C-TR	G2071010		1-	B	b1
D 9955	LED				UW1141C-TR	G2071010		1-	B	b1
D 9956	LED				UW1141C-TR	G2071010		1-	B	a1
D 9957	LED				UW1141C-TR	G2071010		1-	B	a1
D 9958	LED				UW1141C-TR	G2071010		1-	B	c2
D 9959	LED				UW1141C-TR	G2071010		1-	B	a2
D 9960	LED				UW1141C-TR	G2071010		1-	B	b1
D 9961	LED				UW1141C-TR	G2071010		1-	B	a1
D 9962	LED				UW1141C-TR	G2071010		1-	B	a1
D 9963	LED				UW1141C-TR	G2071010		1-	B	b2
D 9964	LED				UW1141C-TR	G2071010		1-	B	b2
D 9965	LED				UW1141C-TR	G2071010		1-	B	f1
D 9966	LED				UW1141C-TR	G2071010		1-	B	f1
D 9967	LED				UW1141C-TR	G2071010		1-	B	e1
D 9968	LED				UW1141C-TR	G2071010		1-	B	e1
D 9969	LED				UW1141C-TR	G2071010		1-	B	d1
D 9970	LED				UW1141C-TR	G2071010		1-	B	d1
D 9971	LED				UW1141C-TR	G2071010		1-	B	e1
D 9972	LED				UW1141C-TR	G2071010		1-	B	e1
D 9973	LED				UW1141C-TR	G2071010		1-	B	d1
D 9974	LED				UW1141C-TR	G2071010		1-	B	d1
J 9951	CONNECTOR				9637S-30-Y905	P1091169		1-	A	I4
J 9952	CONNECTOR				52271-1579	P1091224		1-	A	B4
J 9953	CONNECTOR				LPC-B36M2G	P0091403		1-	A	F4
J 9954	CONNECTOR				9637S-30-Y905	P1091169		1-	A	J4
J 9955	CONNECTOR				9637S-30-Y905	P1091169		1-	A	E4
J 9956	CONNECTOR				9637S-45-Y905	P1091171		1-	A	D4
J 9957	CONNECTOR				9637S-30-Y905	P1091169		1-	A	A2
J 9958	CONNECTOR				SC25-04WS	P0090623		1-	A	C2
J 9959	CONNECTOR				SC25-04WS	P0090623		1-	A	B2
J 9960	CONNECTOR				9637S-45-Y905	P1091171		1-	A	A4
J 9961	CONNECTOR				9637S-30-Y905	P1091169		1-	A	H4
J 9962	CONNECTOR				9637S-45-Y905	P1091171		1-	A	B4
J 9967	CONNECTOR				9637S-45-Y905	P1091171		1-	A	E2
J 9971	CONNECTOR				9637S-30-Y905	P1091169		1-	A	F3
J 9973	CONNECTOR				9637S-45-Y905	P1091171		1-	A	G3
J 9980	CONNECTOR				SB20-02WS	P0090609		1-	A	H2
J 9981	CONNECTOR				SB20-02WS	P0090609		1-	A	G2
J 9982	CONNECTOR				XG4C-2031	P0091404		1-	A	A1
Q 9951	IC				BU2099FV-E2	G1093243		1-	A	D4
Q 9952	IC				BU2099FV-E2	G1093243		1-	A	D4
Q 9953	IC				BU2099FV-E2	G1093243		1-	A	D4

# LINK Unit

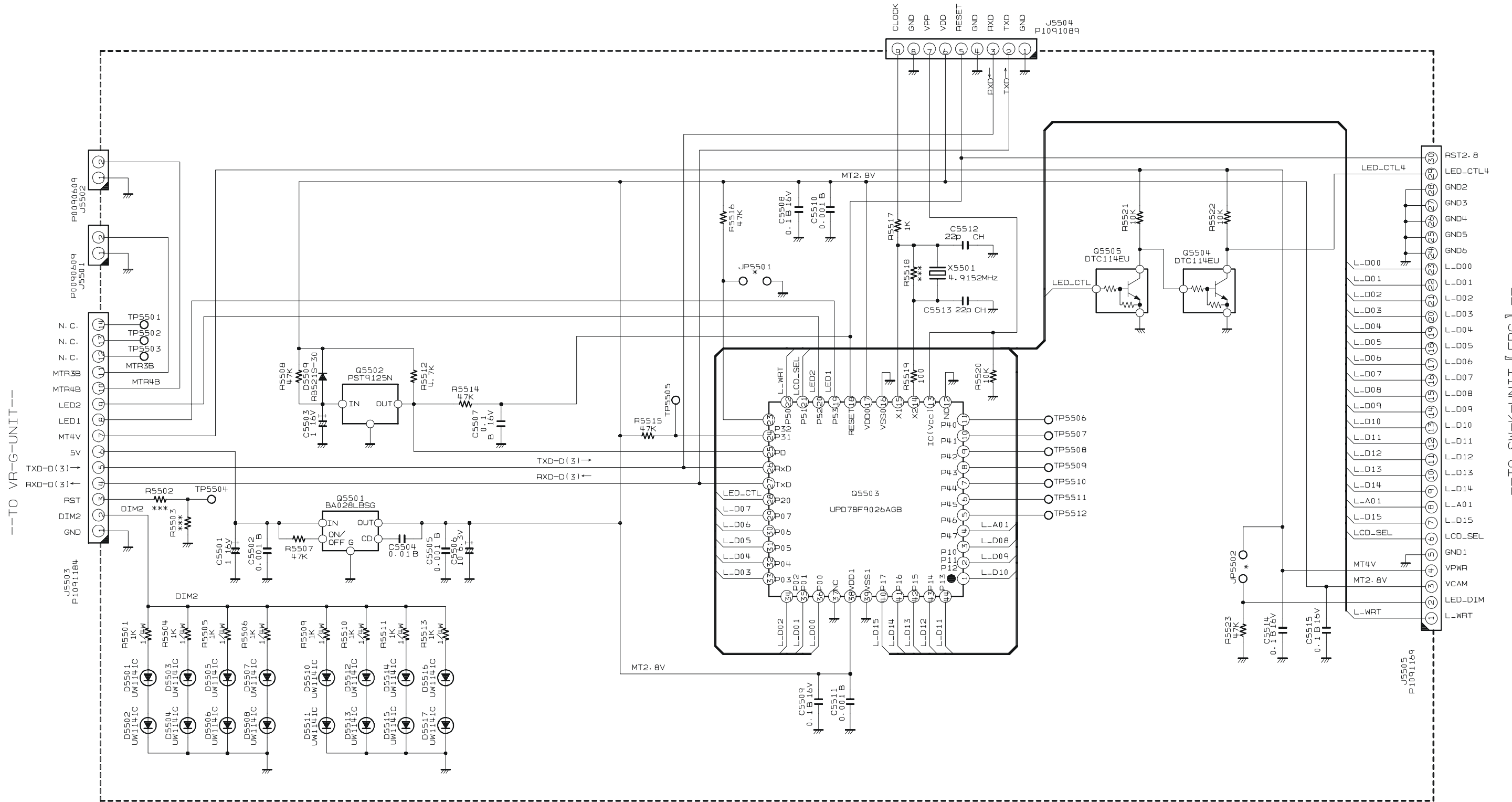
## Parts List

REF	DESCRIPTION	VALUE	V/W	TOL.	MFR'S DESIG	VXSTD P/N	VERS.	LOT	SIDE	LAY ADR
Q 9954	IC				BU2099FV-E2	G1093243		1-	A	H4
Q 9955	IC				BU2099FV-E2	G1093243		1-	A	A4
Q 9956	IC				BU2099FV-E2	G1093243		1-	A	F4
Q 9957	IC				BU2099FV-E2	G1093243		1-	A	A3
Q 9959	TRANSISTOR				DTB113ZK T146	G3070103		1-	A	A3
R 9951	CHIP RES.	0	1/16W	5%	RMC1/16 000JATP	J24185000		1-	A	G4
R 9952	CHIP RES.	1k	1/4W	5%	RMC1/4 102JATP	J24245102		1-	A	I1
R 9953	CHIP RES.	0	1/16W	5%	RMC1/16 000JATP	J24185000		1-	A	C2
R 9954	CHIP RES.	0	1/16W	5%	RMC1/16 000JATP	J24185000		1-	A	C2
R 9955	CHIP RES.	0	1/16W	5%	RMC1/16 000JATP	J24185000		1-	A	B2
R 9956	CHIP RES.	0	1/16W	5%	RMC1/16 000JATP	J24185000		1-	A	B2
R 9961	CHIP RES.	1k	1/4W	5%	RMC1/4 102JATP	J24245102		1-	A	J1
R 9962	CHIP RES.	1k	1/4W	5%	RMC1/4 102JATP	J24245102		1-	A	J1
R 9963	CHIP RES.	1k	1/4W	5%	RMC1/4 102JATP	J24245102		1-	A	H1
R 9964	CHIP RES.	0	1/16W	5%	RMC1/16 000JATP	J24185000		1-	A	H4
R 9965	CHIP RES.	100k	1/16W	5%	RMC1/16 104JATP	J24185104		1-	A	E3
R 9966	CHIP RES.	100k	1/16W	5%	RMC1/16 104JATP	J24185104		1-	A	E3
R 9967	CHIP RES.	100k	1/16W	5%	RMC1/16 104JATP	J24185104		1-	A	E4
R 9968	CHIP RES.	0	1/16W	5%	RMC1/16 000JATP	J24185000		1-	A	E4
R 9969	CHIP RES.	0	1/16W	5%	RMC1/16 000JATP	J24185000		1-	A	E4
R 9970	CHIP RES.	0	1/16W	5%	RMC1/16 000JATP	J24185000		1-	A	E4
R 9971	CHIP RES.	0	1/16W	5%	RMC1/16 000JATP	J24185000		1-	A	J3
R 9972	CHIP RES.	0	1/16W	5%	RMC1/16 000JATP	J24185000		1-	A	E4
R 9973	CHIP RES.	0	1/16W	5%	RMC1/16 000JATP	J24185000		1-	A	B3
R 9974	CHIP RES.	0	1/16W	5%	RMC1/16 000JATP	J24185000		1-	A	B3
R 9975	CHIP RES.	0	1/16W	5%	RMC1/16 000JATP	J24185000		1-	A	B3
R 9976	CHIP RES.	100k	1/16W	5%	RMC1/16 104JATP	J24185104		1-	A	B3
R 9977	CHIP RES.	100k	1/16W	5%	RMC1/16 104JATP	J24185104		1-	A	B3
R 9978	CHIP RES.	100k	1/16W	5%	RMC1/16 104JATP	J24185104		1-	A	B3
R 9980	CHIP RES.	0	1/16W	5%	RMC1/16 000JATP	J24185000		1-	A	D4
R 9987	CHIP RES.	1k	1/4W	5%	RMC1/4 102JATP	J24245102		1-	A	J1
R 9988	CHIP RES.	0	1/16W	5%	RMC1/16 000JATP	J24185000		1-	A	A4
R 9989	CHIP RES.	1k	1/4W	5%	RMC1/4 102JATP	J24245102		1-	A	F1
R 9990	CHIP RES.	1k	1/4W	5%	RMC1/4 102JATP	J24245102		1-	A	F1
R 9991	CHIP RES.	1k	1/4W	5%	RMC1/4 102JATP	J24245102		1-	A	G1
R 9992	CHIP RES.	1k	1/4W	5%	RMC1/4 102JATP	J24245102		1-	A	G1
R 9993	CHIP RES.	1k	1/4W	5%	RMC1/4 102JATP	J24245102		1-	A	H1
R 9994	CHIP RES.	1k	1/4W	5%	RMC1/4 102JATP	J24245102		1-	A	I1
R 9995	CHIP RES.	1k	1/4W	5%	RMC1/4 102JATP	J24245102		1-	A	E1



# BACK LIGHT Unit (Contest, MP Type)

## Circuit Diagram

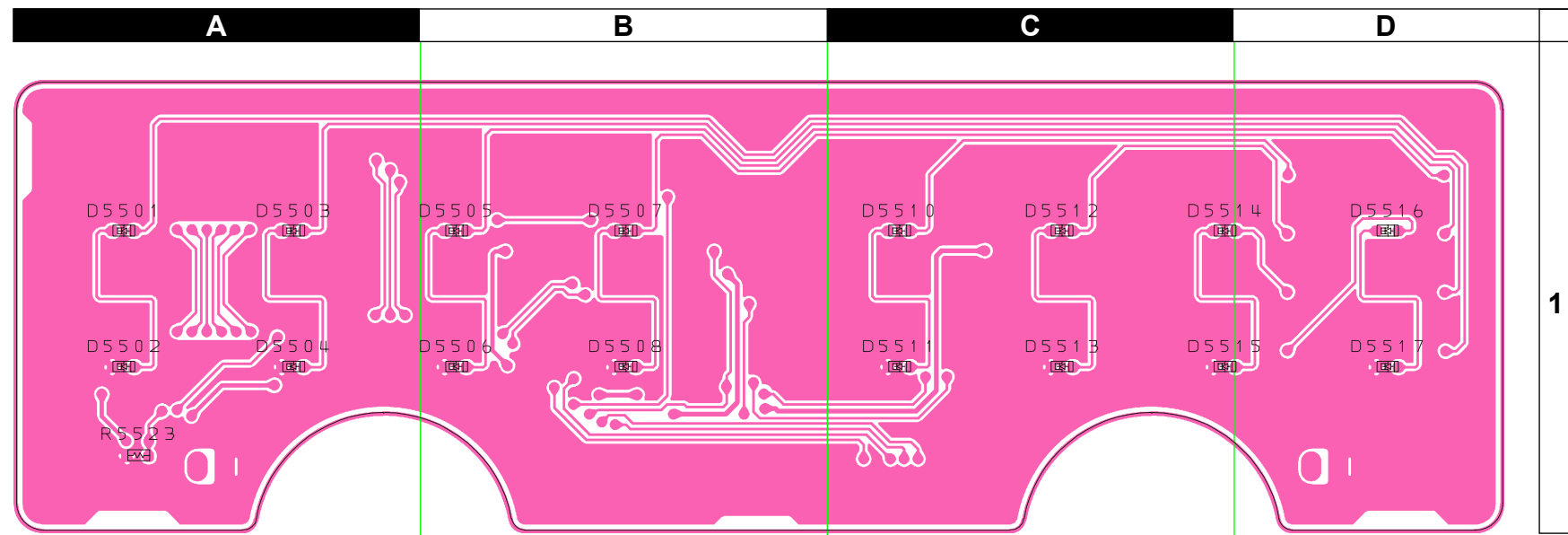


***BACK LIGHT Unit (Contest, MP Type)***

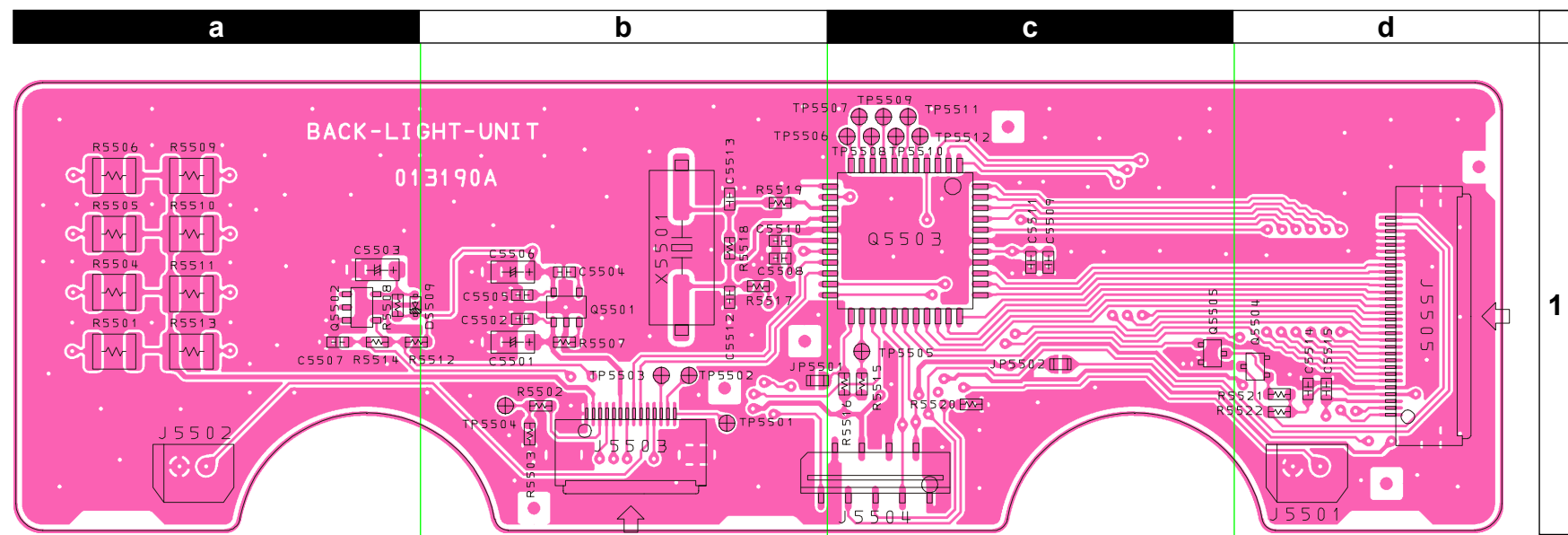
*Note*

# BACK LIGHT Unit (Contest, MP Type)

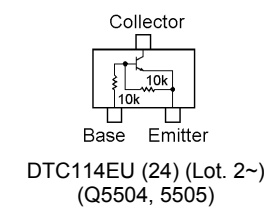
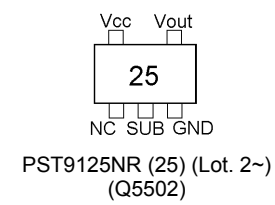
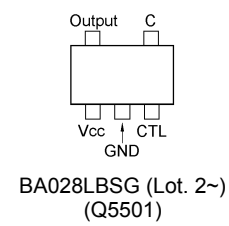
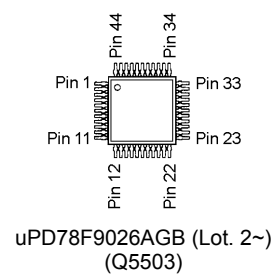
## Parts Layout



Side A



Side B



***BACK LIGHT Unit (Contest, MP Type)***

*Note*

# BACK LIGHT Unit (Contest, MP Type)

## Parts List

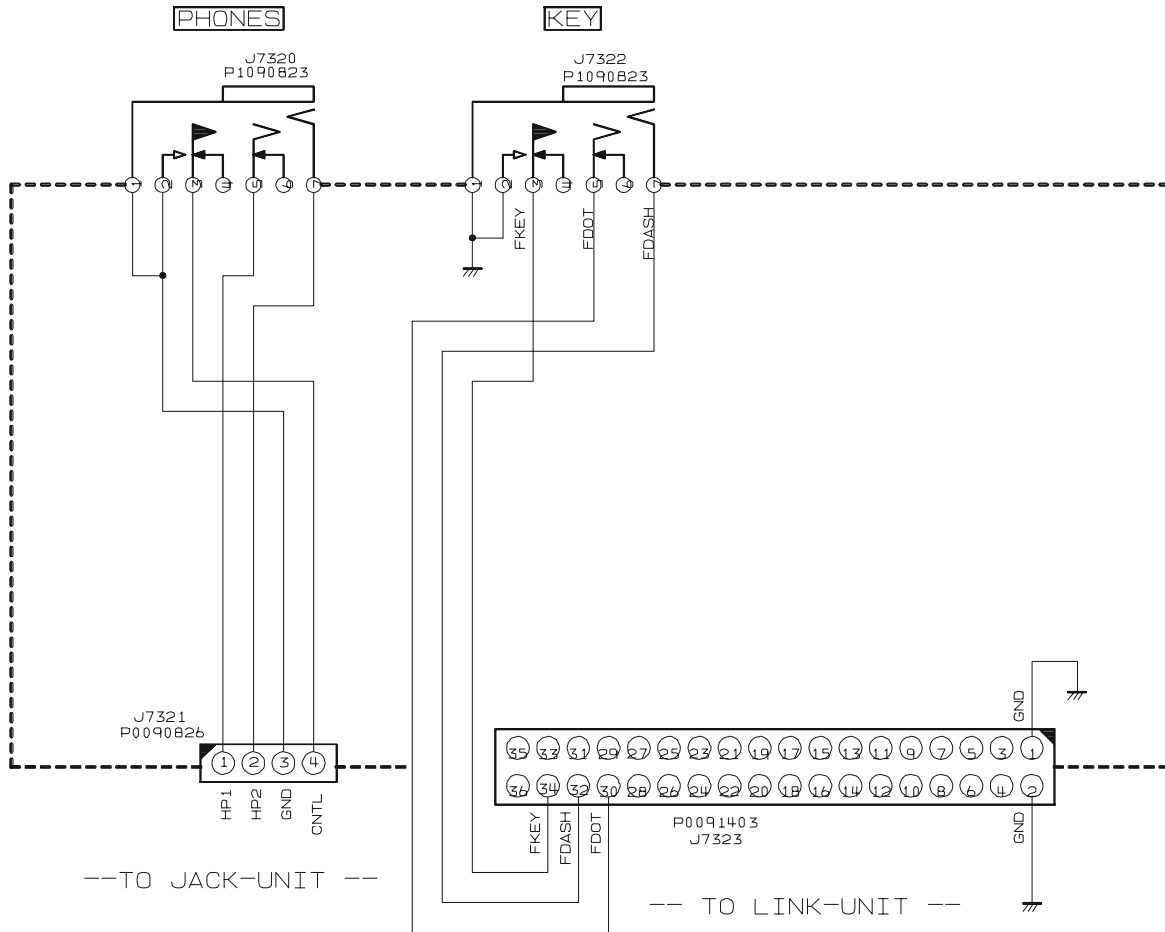
REF	DESCRIPTION	VALUE	V/W	TOL.	MFR'S DESIG	VXSTD P/N	VERS.	LOT	SIDE	LAY ADR
	PCB with Components					CB3095002	COL:UMBE, W/O TFT			
	PCB with Components					CB3095003	COL:BLUE, W/O TFT			
	Printed Circuit Board					FR0131900				
C 5501	CHIP TA.CAP.	1uF	16V		TESVA1C105M1-8R	K78120009		2-	B	b1
C 5502	CHIP CAP.	0.001uF	50V	B	GRM188B11H102KA01D	K22174821		2-	B	b1
C 5503	CHIP TA.CAP.	1uF	16V		TESVA1C105M1-8R	K78120009		2-	B	a1
C 5504	CHIP CAP.	0.01uF	50V	B	GRM188B11H103KA01D	K22174823		2-	B	b1
C 5505	CHIP CAP.	0.001uF	50V	B	GRM188B11H102KA01D	K22174821		2-	B	b1
C 5506	CHIP TA.CAP.	10uF	6.3V		TEMSVA0J106M-8R	K78080027		2-	B	b1
C 5507	CHIP CAP.	0.1uF	16V	B	GRM188B11C104KA01D	K22124805		2-	B	a1
C 5508	CHIP CAP.	0.1uF	16V	B	GRM188B11C104KA01D	K22124805		2-	B	b1
C 5509	CHIP CAP.	0.1uF	16V	B	GRM188B11C104KA01D	K22124805		2-	B	c1
C 5510	CHIP CAP.	0.001uF	50V	B	GRM188B11H102KA01D	K22174821		2-	B	b1
C 5511	CHIP CAP.	0.001uF	50V	B	GRM188B11H102KA01D	K22174821		2-	B	c1
C 5512	CHIP CAP.	22pF	50V	CH	GRM1882C1H220JA01D	K22174219		2-	B	b1
C 5513	CHIP CAP.	22pF	50V	CH	GRM1882C1H220JA01D	K22174219		2-	B	b1
C 5514	CHIP CAP.	0.1uF	16V	B	GRM188B11C104KA01D	K22124805		2-	B	d1
C 5515	CHIP CAP.	0.1uF	16V	B	GRM188B11C104KA01D	K22124805		2-	B	d1
D 5501	LED				UW1141C-TR	G2071010		1-	A	A1
D 5502	LED				UW1141C-TR	G2071010		1-	A	A1
D 5503	LED				UW1141C-TR	G2071010		1-	A	A1
D 5504	LED				UW1141C-TR	G2071010		1-	A	A1
D 5505	LED				UW1141C-TR	G2071010		1-	A	B1
D 5506	LED				UW1141C-TR	G2071010		1-	A	B1
D 5507	LED				UW1141C-TR	G2071010		1-	A	B1
D 5508	LED				UW1141C-TR	G2071010		1-	A	B1
D 5509	LED				UW1141C-TR	G2071010		1	B	a1
D 5509	DIODE				RB521S-30 TE61	G2070642		2-	B	a1
D 5510	LED				UW1141C-TR	G2071010		1-	A	C1
D 5511	LED				UW1141C-TR	G2071010		1-	A	C1
D 5512	LED				UW1141C-TR	G2071010		1-	A	C1
D 5513	LED				UW1141C-TR	G2071010		2-	A	C1
D 5514	LED				UW1141C-TR	G2071010		2-	A	C1
D 5515	LED				UW1141C-TR	G2071010		2-	A	C1
D 5516	LED				UW1141C-TR	G2071010		2-	A	D1
D 5517	LED				UW1141C-TR	G2071010		2-	A	D1
J 5501	CONNECTOR				SB20-02WS	P0090609		2-	B	d1
J 5502	CONNECTOR				SB20-02WS	P0090609		2-	B	a1
J 5503	CONNECTOR				9637S-14-Y905	P1091184		2-	B	b1
J 5504	CONNECTOR				09FMN-BMTTN-TFT	P1091089		2-	B	c1
J 5505	CONNECTOR				9637S-30-Y905	P1091169		2-	B	d1
JP5501	WIRE ASSY				AH010H	T9207181		1	B	b1
Q 5501	IC				BA028LBSG-TR	G1094175		2-	B	b1
Q 5502	IC				PST9125NR R59-2263	G1092435		2-	B	a1
Q 5503	IC				UPD78F9026AGB-8ES	G1093504		2-	B	c1
Q 5504	TRANSISTOR				DTC114EUA T106	G3070084		2-	B	d1
Q 5505	TRANSISTOR				DTC114EUA T106	G3070084		2-	B	c1
R 5501	CHIP RES.	1k	1/4W	5%	RMC1/4 102JATP	J24245102		1-	B	a1
R 5502	CHIP RES.	1k	1/4W	5%	RMC1/4 102JATP	J24245102		1	B	b1
R 5503	CHIP RES.	1k	1/4W	5%	RMC1/4 102JATP	J24245102		1	B	b1
R 5504	CHIP RES.	1k	1/4W	5%	RMC1/4 102JATP	J24245102		1-	B	a1
R 5505	CHIP RES.	1k	1/4W	5%	RMC1/4 102JATP	J24245102		2-	B	a1
R 5506	CHIP RES.	1k	1/4W	5%	RMC1/4 102JATP	J24245102		2-	B	a1
R 5507	CHIP RES.	47k	1/16W	5%	RMC1/16 473JATP	J24185473		2-	B	b1
R 5508	CHIP RES.	4.7k	1/16W	5%	RMC1/16 472JATP	J24185472		2-	B	a1
R 5509	CHIP RES.	1k	1/4W	5%	RMC1/4 102JATP	J24245102		2-	B	a1
R 5510	CHIP RES.	1k	1/4W	5%	RMC1/4 102JATP	J24245102		2-	B	a1
R 5511	CHIP RES.	1k	1/4W	5%	RMC1/4 102JATP	J24245102		2-	B	a1
R 5512	CHIP RES.	4.7k	1/16W	5%	RMC1/16 472JATP	J24185472		2-	B	a1
R 5513	CHIP RES.	1k	1/4W	5%	RMC1/4 102JATP	J24245102		2-	B	a1
R 5514	CHIP RES.	47k	1/16W	5%	RMC1/16 473JATP	J24185473		2-	B	a1
R 5515	CHIP RES.	47k	1/16W	5%	RMC1/16 473JATP	J24185473		2-	B	c1
R 5516	CHIP RES.	47k	1/16W	5%	RMC1/16 473JATP	J24185473		2-	B	c1
R 5517	CHIP RES.	1k	1/16W	5%	RMC1/16 102JATP	J24185102		2-	B	b1
R 5519	CHIP RES.	100	1/16W	5%	RMC1/16 101JATP	J24185101		2-	B	b1
R 5520	CHIP RES.	10k	1/16W	5%	RMC1/16 103JATP	J24185103		2-	B	c1
R 5521	CHIP RES.	10k	1/16W	5%	RMC1/16 103JATP	J24185103		2-	B	d1
R 5522	CHIP RES.	10k	1/16W	5%	RMC1/16 103JATP	J24185103		2-	B	d1
R 5523	CHIP RES.	47k	1/16W	5%	RMC1/16 473JATP	J24185473		2-	A	A1
X 5501	XTAL XJCGGC	4.9152MHz			4.9152MHZ	H0103310		2-	B	b1

# *BACK LIGHT Unit (Contest, MP Type)*

*Note*

# JACK-S Unit (Contest Type)

## Circuit Diagram



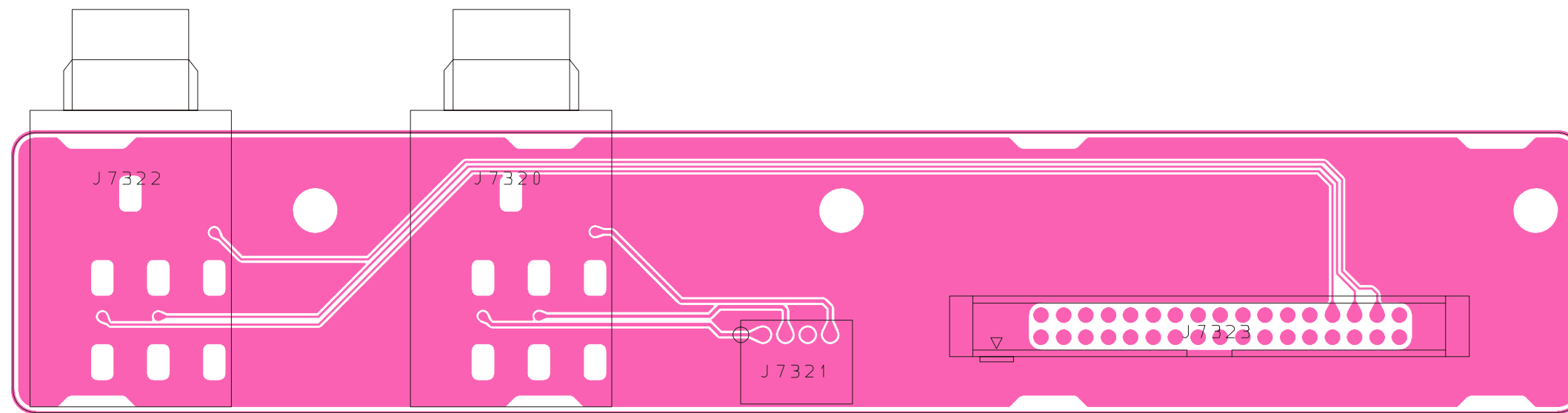
# *JACK-S Unit (Contest Type)*

*Note*

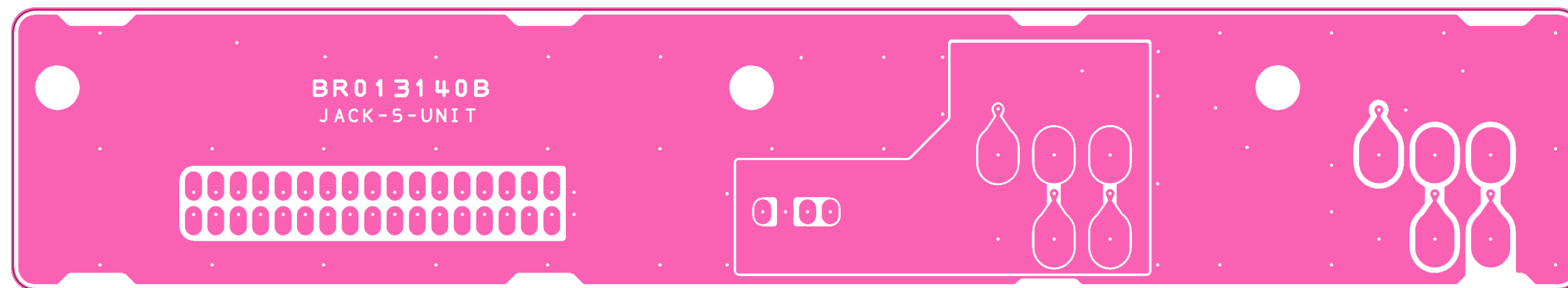


# JACK-S Unit (Contest Type)

## Parts Layout



Side A



Side B

## *JACK-S Unit (Contest Type)*

*Note*

# JACK-S Unit (Contest Type)

## Parts List

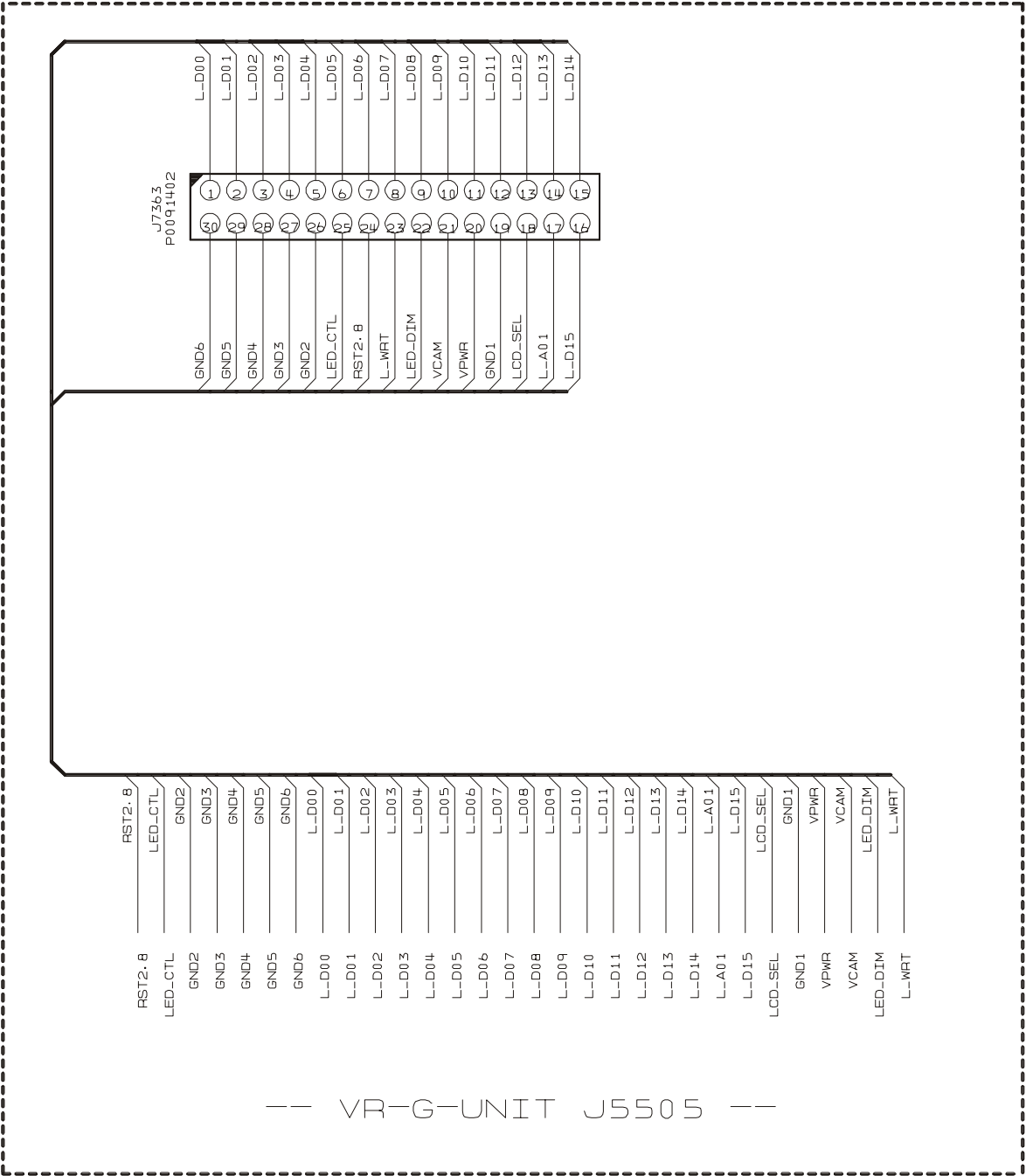
REF	DESCRIPTION	VALUE	V/W	TOL.	MFR'S DESIG	VXSTD P/N	VERS.	LOT	SIDE	LAY ADR
	PCB with Components					CB3111001				
	BoardPrinted Circuit Board					FR0131400			2-	
J 7320	CONNECTOR				HLJ2305-01-3060-01	P1090823			1-	
J 7321	CONNECTOR				SB20-04WL	P0090826			1-	
J 7322	CONNECTOR				HLJ2305-01-3060-01	P1090823			1-	
J 7323	CONNECTOR				LPC-B36M2G	P0091403			2-	

# *JACK-S Unit (Contest Type)*

*Note*

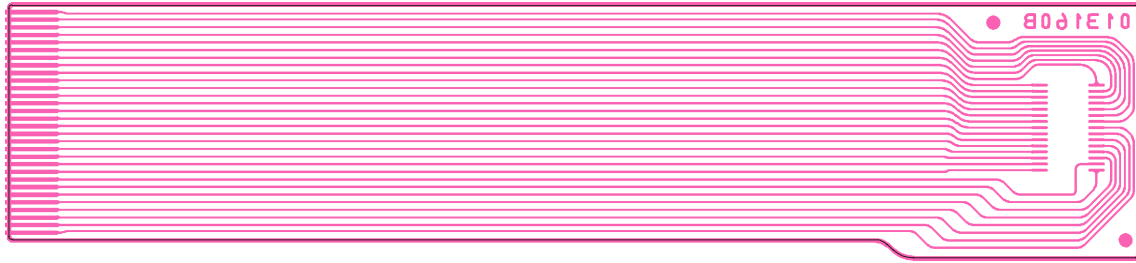
# SW-K Unit (Contest, MP Type)

## Circuit Diagram

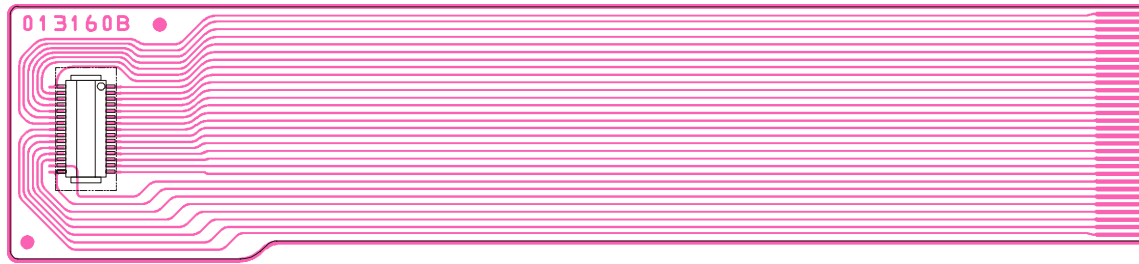


# SW-K Unit (Contest, MP Type)

## Parts Layout



Side A



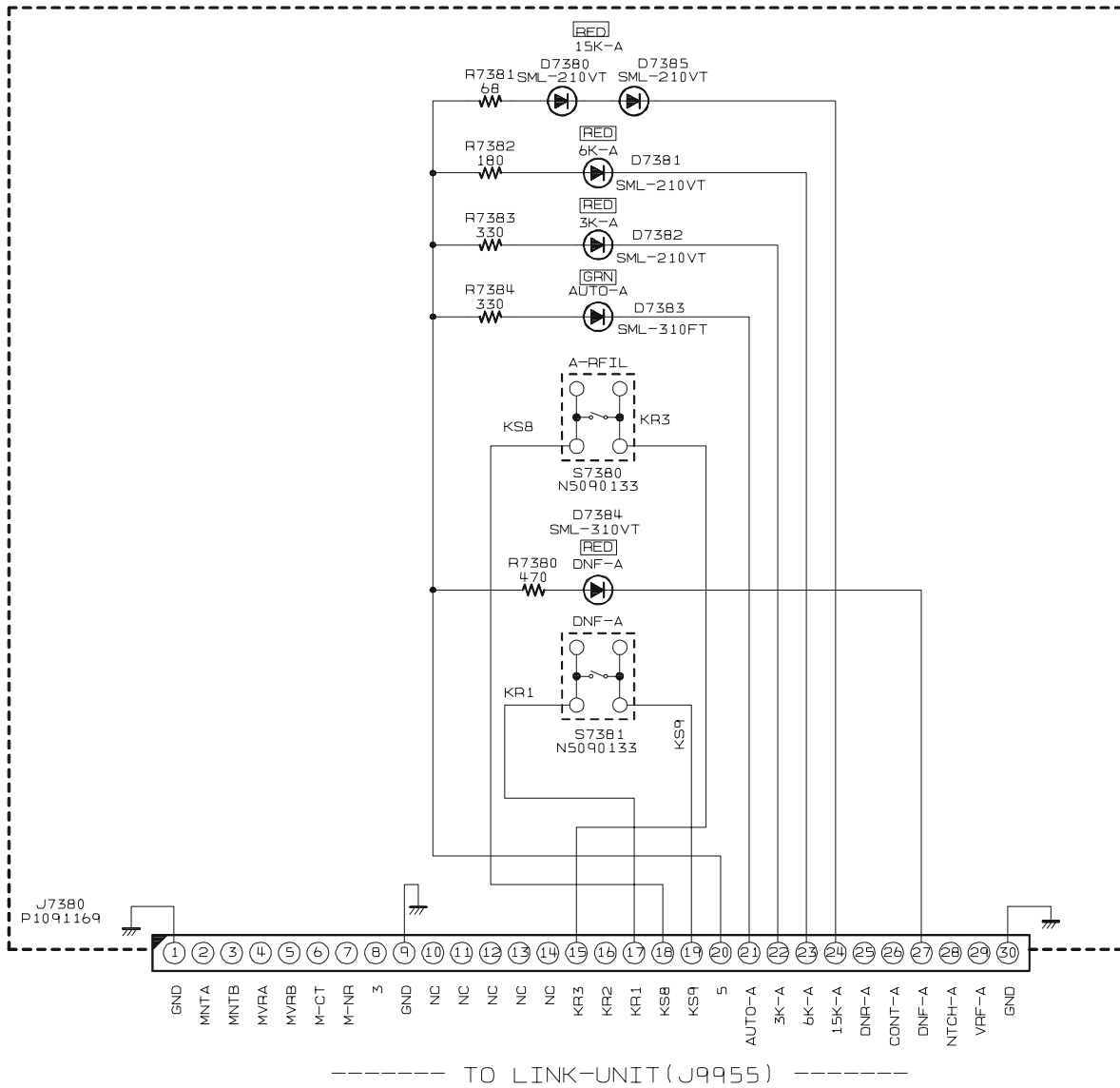
Side B

## Parts List

REF	DESCRIPTION	VALUE	V/W	TOL.	MFR'S DESIG	VXSTD P/N	VERS.	LOT	SIDE	LAY ADR
	PCB with Components (W/CONNECTOR)					FR013160B	W/O TFT	2-		
J 7361	CONNECTOR									

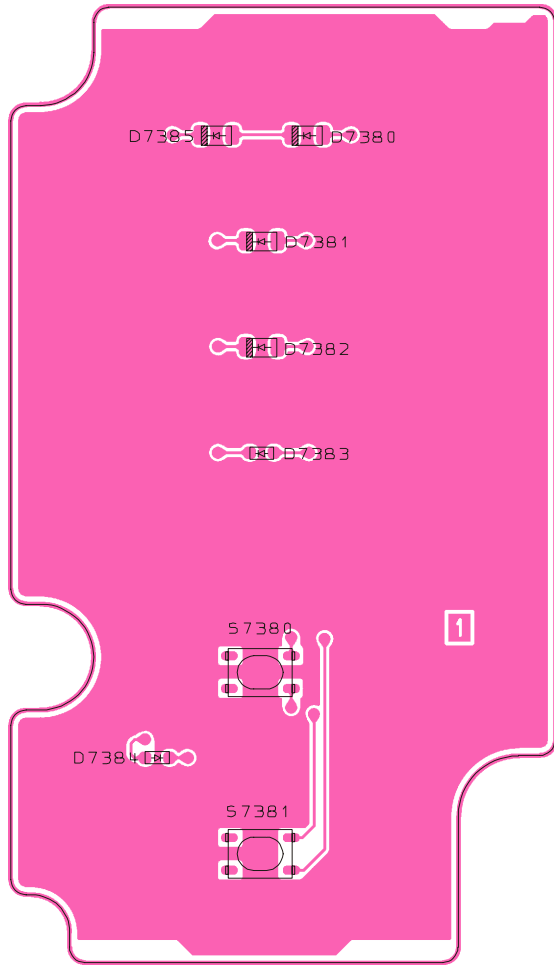
# SW-L Unit (Contest, MP Type)

## Circuit Diagram

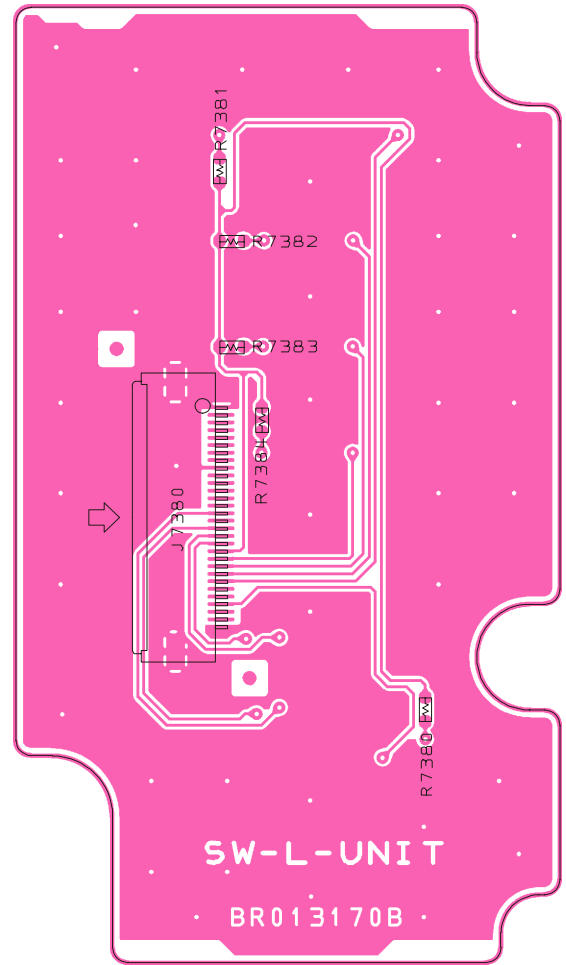


# SW-L Unit (Contest, MP Type)

## Parts Layout



Side A



Side B

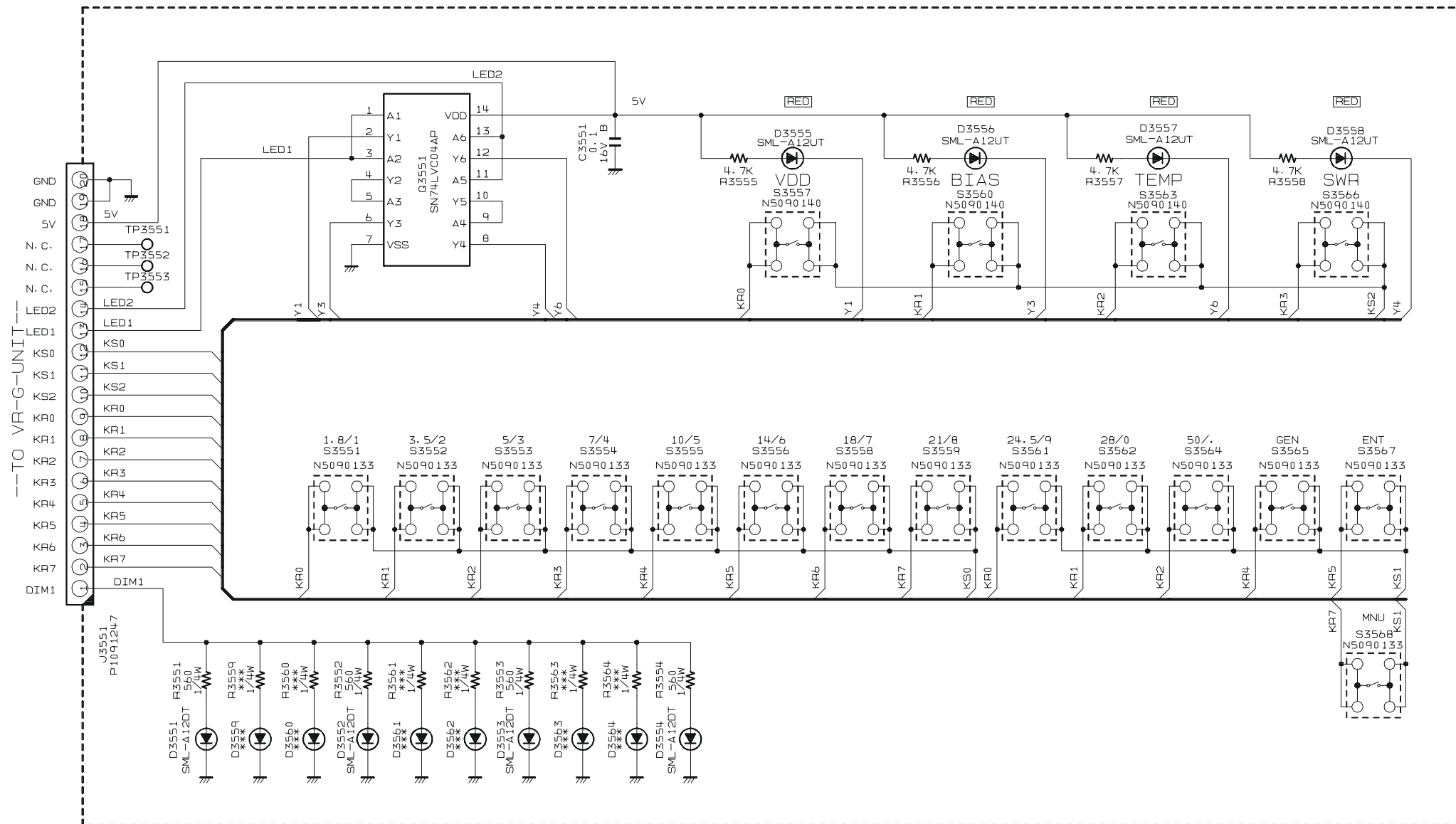
## Parts List

REF	DESCRIPTION	VALUE	V/W	TOL.	MFR'S DESIG	VXSTD P/N	VERS.	LOT	SIDE	LAY ADR
PCB with Components						CB3114001				
Printed Circuit Board						FR013170B		2-		
D 7380	LED				SML-310VTT86JK	G2071032		1	A	
D 7380	LED				SML-210VTT86	G2070768		2-	A	
D 7381	LED				SML-310VTT86JK	G2071032		1	A	
D 7381	LED				SML-210VTT86	G2070768		2-	A	
D 7382	LED				SML-310VTT86JK	G2071032		1	A	
D 7382	LED				SML-210VTT86	G2070768		2-	A	
D 7383	LED				SML-310FTT86KL	G2071026		1	A	
D 7383	LED				SML-310FTT86KL	G2071026		2-	A	
D 7384	LED				SML-310VTT86JK	G2071032		1-	A	
D 7385	LED				SML-210VTT86	G2070768		2-	A	
J 7380	CONNECTOR				9637S-30-Y905	P1091169		1-	B	
R 7380	CHIP RES.	470	1/16W	5%	RMC1/16 471JATP	J24185471		1-	B	
R 7381	CHIP RES.	470	1/16W	5%	RMC1/16 471JATP	J24185471		1	B	
R 7381	CHIP RES.	68	1/16W	5%	RMC1/16 680JATP	J24185680		2-	B	
R 7382	CHIP RES.	470	1/16W	5%	RMC1/16 471JATP	J24185471		1	B	
R 7382	CHIP RES.	180	1/16W	5%	RMC1/16 181JATP	J24185181		2-	B	
R 7383	CHIP RES.	470	1/16W	5%	RMC1/16 471JATP	J24185471		1	B	
R 7383	CHIP RES.	330	1/16W	5%	RMC1/16 331JATP	J24185331		2-	B	
R 7384	CHIP RES.	270	1/16W	5%	RMC1/16 271JATP	J24185271		1	B	
R 7384	CHIP RES.	330	1/16W	5%	RMC1/16 331JATP	J24185331		2-	B	
S 7380	TACT SWITCH				SKRPABE010	N5090133		1-	A	
S 7381	TACT SWITCH				SKRPABE010	N5090133		1-	A	



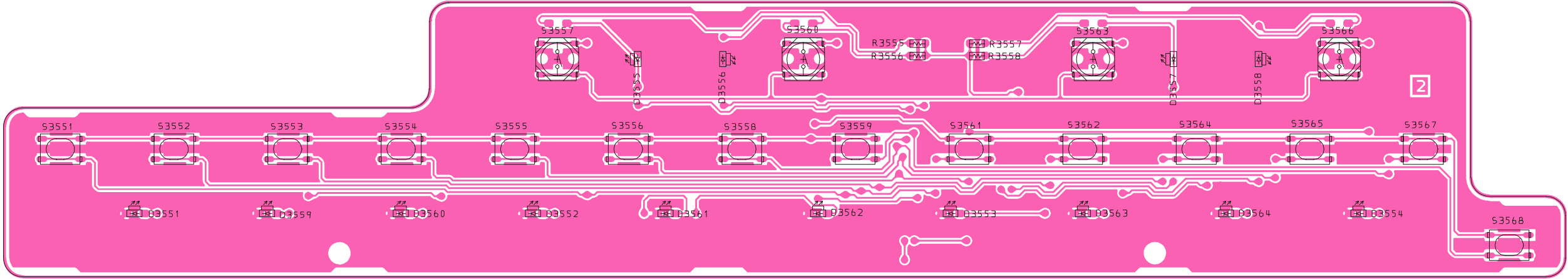
# SW-M Unit (Contest, MP Type)

## Circuit Diagram

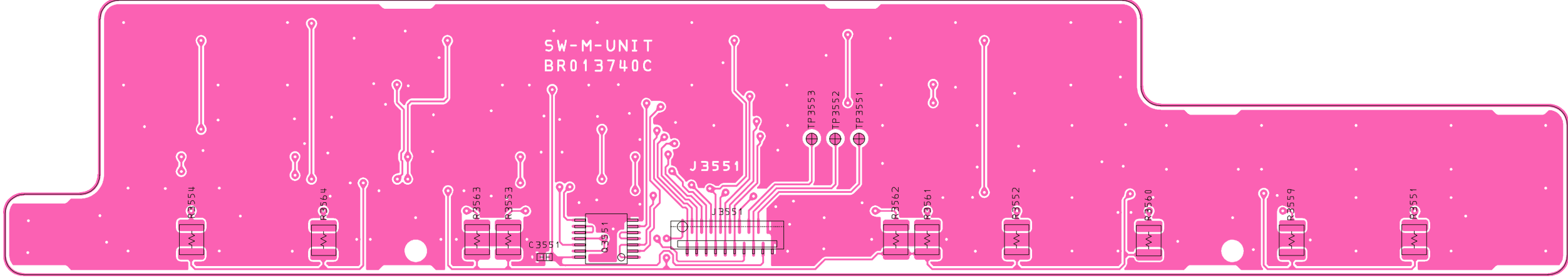


# SW-M Unit (Contest, MP Type)

## Parts Layout



Side A



Side B

# SW-M Unit (Contest, MP Type)

## Parts List

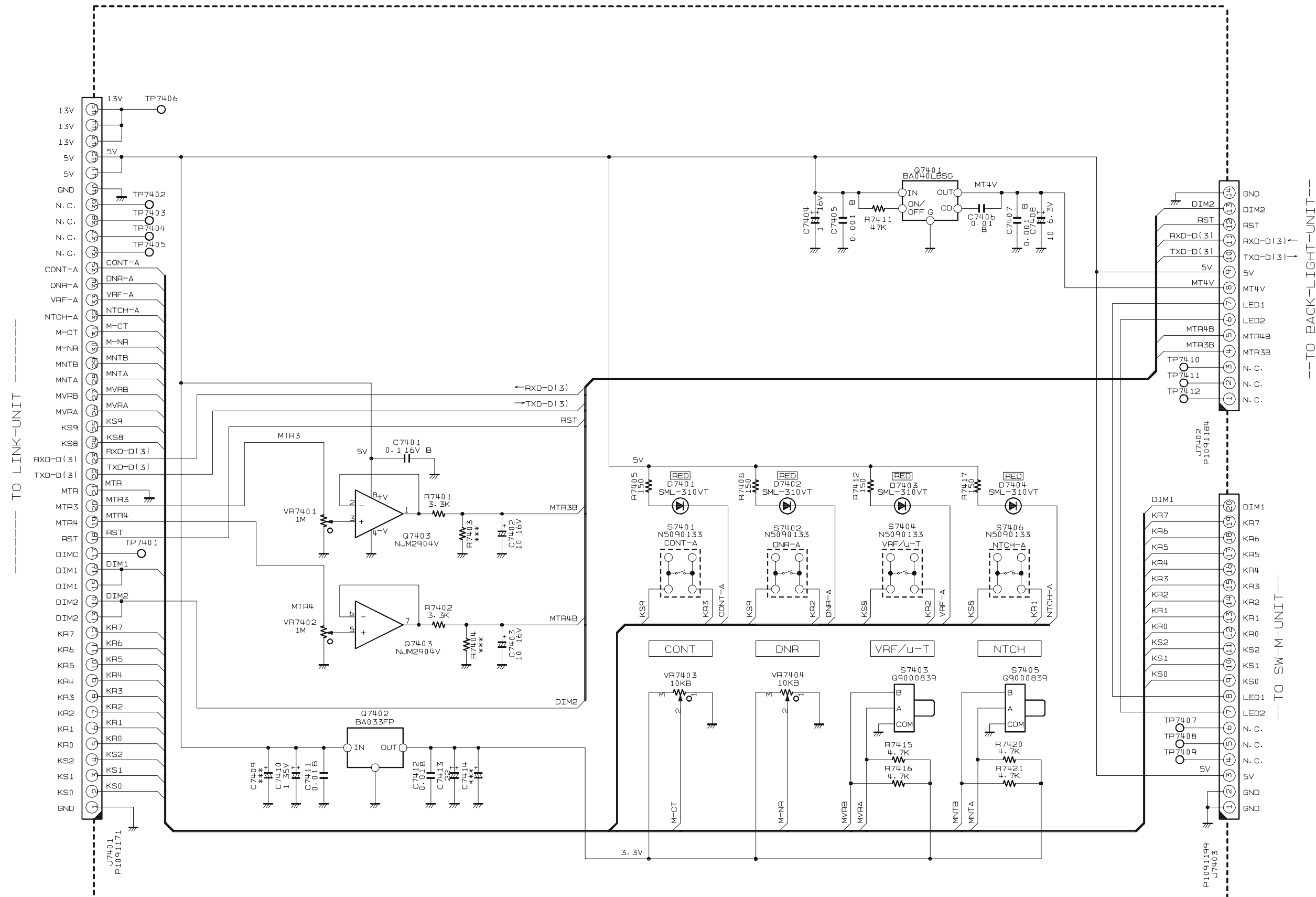
REF	DESCRIPTION	VALUE	V/W	TOL.	MFR'S DESIG	VXSTD P/N	VERS.	LOT	SIDE	LAY ADR
PCB with Components						CB3257001				
Printed Circuit Board						FR0137400		2-		
C 3551	CHIP CAP.	0.1uF	16V	B	GRM188B11C104KA01D	K22124805		1-	B	
D 3551	LED				SML-A12UTT86	G2071080		1-	A	
D 3551	LED				SML-A12DTT86	G2071082		2-	A	
D 3552	LED				SML-A12UTT86	G2071080		1-	A	
D 3552	LED				SML-A12DTT86	G2071082		2-	A	
D 3553	LED				SML-A12UTT86	G2071080		1-	A	
D 3553	LED				SML-A12DTT86	G2071082		2-	A	
D 3554	LED				SML-A12UTT86	G2071080		1-	A	
D 3554	LED				SML-A12DTT86	G2071082		2-	A	
D 3555	LED				SML-A12DTT86	G2071082		1-	A	
D 3555	LED				SML-A12UTT86	G2071080		2-	A	
D 3556	LED				SML-A12DTT86	G2071082		1-	A	
D 3556	LED				SML-A12UTT86	G2071080		2-	A	
D 3557	LED				SML-A12DTT86	G2071082		1-	A	
D 3557	LED				SML-A12UTT86	G2071080		2-	A	
D 3558	LED				SML-A12DTT86	G2071082		1-	A	
D 3558	LED				SML-A12UTT86	G2071080		2-	A	
J 3551	CONNECTOR				20FLT-SM2-TB(LF)(SN)	P1091247		1-	B	
Q 3551	IC				SN74LVC04APWR	G1094177		1-	B	
R 3551	CHIP RES.	270	1/4W	5%	RMC1/4 271JATP	J24245271		1-	B	
R 3551	CHIP RES.	560	1/4W	5%	RMC1/4 561JATP	J24245561		2-	B	
R 3552	CHIP RES.	270	1/4W	5%	RMC1/4 271JATP	J24245271		1-	B	
R 3552	CHIP RES.	560	1/4W	5%	RMC1/4 561JATP	J24245561		2-	B	
R 3553	CHIP RES.	270	1/4W	5%	RMC1/4 271JATP	J24245271		1-	B	
R 3553	CHIP RES.	560	1/4W	5%	RMC1/4 561JATP	J24245561		2-	B	
R 3554	CHIP RES.	270	1/4W	5%	RMC1/4 271JATP	J24245271		1-	B	
R 3554	CHIP RES.	560	1/4W	5%	RMC1/4 561JATP	J24245561		2-	B	
R 3555	CHIP RES.	330	1/16W	5%	RMC1/16 331JATP	J24185331		1-	A	
R 3555	CHIP RES.	1.5k	1/16W	5%	RMC1/16 152JATP	J24185152		2-	A	
R 3555	CHIP RES.	4.7k	1/16W	5%	RMC1/16 472JATP	J24185472		4-	A	
R 3556	CHIP RES.	330	1/16W	5%	RMC1/16 331JATP	J24185331		1-	A	
R 3556	CHIP RES.	1.5k	1/16W	5%	RMC1/16 152JATP	J24185152		2-	A	
R 3556	CHIP RES.	4.7k	1/16W	5%	RMC1/16 472JATP	J24185472		4-	A	
R 3557	CHIP RES.	330	1/16W	5%	RMC1/16 331JATP	J24185331		1-	A	
R 3557	CHIP RES.	1.5k	1/16W	5%	RMC1/16 152JATP	J24185152		2-	A	
R 3557	CHIP RES.	4.7k	1/16W	5%	RMC1/16 472JATP	J24185472		4-	A	
R 3558	CHIP RES.	330	1/16W	5%	RMC1/16 331JATP	J24185331		1-	A	
R 3558	CHIP RES.	1.5k	1/16W	5%	RMC1/16 152JATP	J24185152		2-	A	
R 3558	CHIP RES.	4.7k	1/16W	5%	RMC1/16 472JATP	J24185472		4-	A	
S 3551	TACT SWITCH				SKRPABE010	N5090133		1-	A	
S 3552	TACT SWITCH				SKRPABE010	N5090133		1-	A	
S 3553	TACT SWITCH				SKRPABE010	N5090133		1-	A	
S 3554	TACT SWITCH				SKRPABE010	N5090133		1-	A	
S 3555	TACT SWITCH				SKRPABE010	N5090133		1-	A	
S 3556	TACT SWITCH				SKRPABE010	N5090133		1-	A	
S 3557	TACT SWITCH				SKRMAAE010	N5090140		1-	A	
S 3558	TACT SWITCH				SKRPABE010	N5090133		1-	A	
S 3559	TACT SWITCH				SKRPABE010	N5090133		1-	A	
S 3560	TACT SWITCH				SKRMAAE010	N5090140		1-	A	
S 3561	TACT SWITCH				SKRPABE010	N5090133		1-	A	
S 3562	TACT SWITCH				SKRPABE010	N5090133		1-	A	
S 3563	TACT SWITCH				SKRMAAE010	N5090140		1-	A	
S 3564	TACT SWITCH				SKRPABE010	N5090133		1-	A	
S 3565	TACT SWITCH				SKRPABE010	N5090133		1-	A	
S 3566	TACT SWITCH				SKRMAAE010	N5090140		1-	A	
S 3567	TACT SWITCH				SKRPABE010	N5090133		1-	A	
S 3568	TACT SWITCH				SKRPABE010	N5090133		1-	A	

## *SW-M Unit (Contest, MP Type)*

*Note*

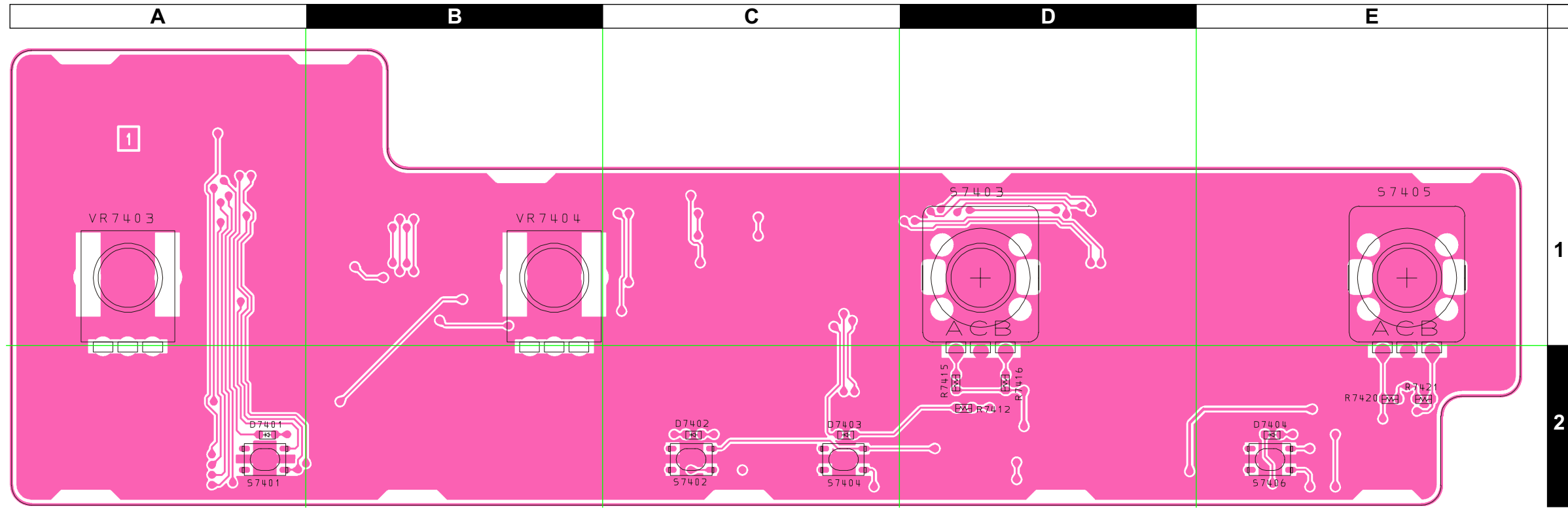
# VR-G Unit (Contest, MP Type)

## Circuit Diagram

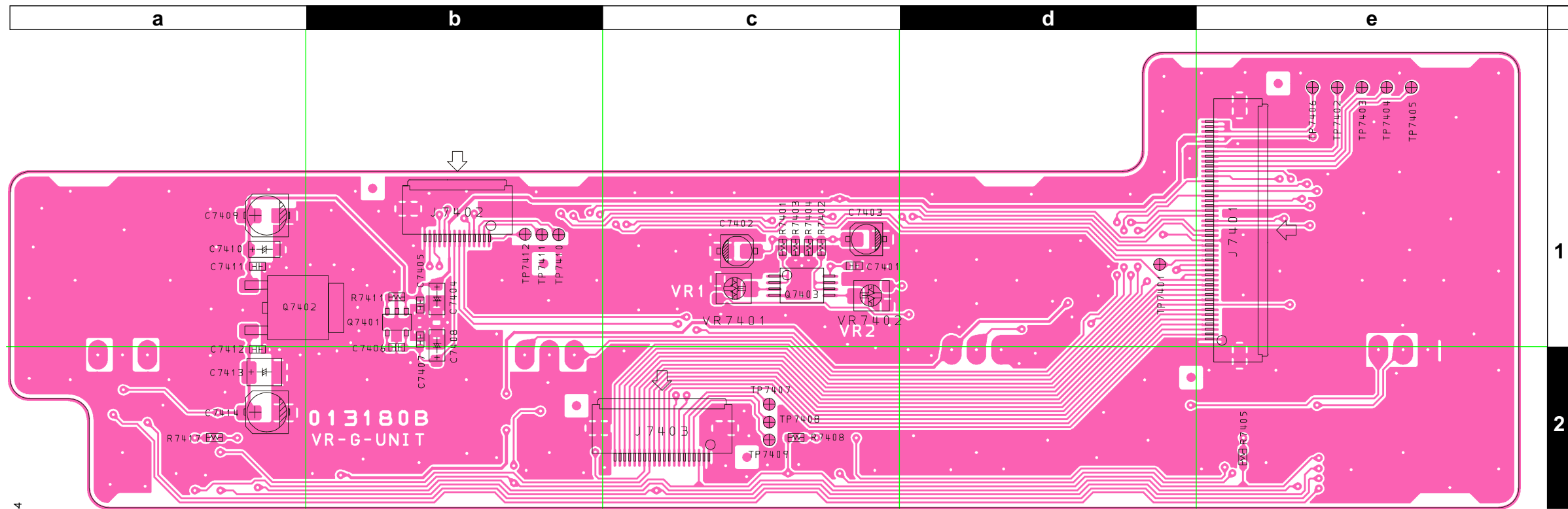


# VR-G Unit (Contest, MP Type)

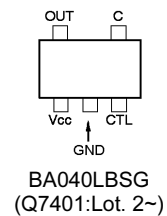
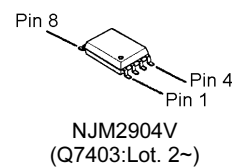
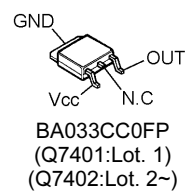
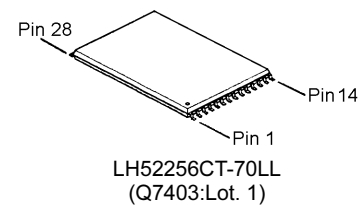
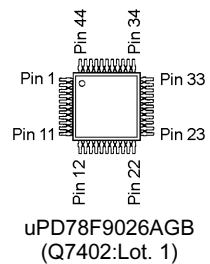
## Parts Layout



Side A



Side B



# VR-G Unit

## Parts List

REF	DESCRIPTION	VALUE	V/W	TOL.	MFR'S DESIG	VXSTD P/N	VERS.	LOT	SIDE	LAY ADR
PCB with Components						CB3115001				
Printed Circuit Board						FR0131800		2-		
C 7401	CHIP CAP.	0.1uF	16V	B	GRM188B11C104KA01D	K22124805		1-	B	c1
C 7402	CHIP CAP.	0.1uF	16V	B	GRM188B11C104KA01D	K22124805		1	B	c1
C 7402	AL.ELECTRO.CAP.	10uF	16V		RV2-16V100MB55-R	K48120014		2-	B	c1
C 7403	CHIP CAP.	0.1uF	16V	B	GRM188B11C104KA01D	K22124805		1	B	c1
C 7403	AL.ELECTRO.CAP.	10uF	16V		RV2-16V100MB55-R	K48120014		2-	B	c1
C 7404	CHIP CAP.	0.001uF	50V	B	GRM188B11H102KA01D	K22174821		1	B	b1
C 7404	CHIP TA.CAP.	1uF	16V		TESVA1C105M1-8R	K78120009		2-	B	b1
C 7405	CHIP CAP.	0.1uF	16V	B	GRM188B11C104KA01D	K22124805		1	B	b1
C 7405	CHIP CAP.	0.001uF	50V	B	GRM188B11H102KA01D	K22174821		2-	B	b1
C 7406	CHIP CAP.	0.001uF	50V	B	GRM188B11H102KA01D	K22174821		1	B	b1
C 7406	CHIP CAP.	0.01uF	50V	B	GRM188B11H103KA01D	K22174823		2-	B	b1
C 7407	CHIP CAP.	0.1uF	16V	B	GRM188B11C104KA01D	K22124805		1	B	b1
C 7407	CHIP CAP.	0.001uF	50V	B	GRM188B11H102KA01D	K22174821		2-	B	b1
C 7408	CHIP CAP.	10pF	50V	CH	GRM1882C1H100JA01D	K22174211		1	B	b1
C 7408	CHIP TA.CAP.	10uF	6.3V		TEMSVA0J106M-8R	K78080027		2-	B	b1
C 7409	CHIP CAP.	10pF	50V	CH	GRM1882C1H100JA01D	K22174211		1	B	a1
C 7410	CHIP CAP.	0.1uF	16V	B	GRM188B11C104KA01D	K22124805		1	B	a1
C 7410	CHIP TA.CAP.	1uF	35V		TEMSVA1V105M-8R	K78160032		2-	B	a1
C 7411	CHIP CAP.	0.01uF	50V	B	GRM188B11H103KA01D	K22174823		2-	B	a1
C 7412	CHIP CAP.	0.01uF	50V	B	GRM188B11H103KA01D	K22174823		2-	B	a2
C 7413	CHIP TA.CAP.	22uF			TPSB226M016Y0600	K78120075		2-	B	a2
D 7401	LED				TLOU262	G2090763		1	A	A2
D 7401	LED				SML-310VTT86JK	G2071032		2-	A	A2
D 7402	LED				TLOU262	G2090763		1	A	C2
D 7402	LED				SML-310VTT86JK	G2071032		2-	A	C2
D 7403	LED				TLOU262	G2090763		1	A	C2
D 7403	LED				SML-310VTT86JK	G2071032		2-	A	C2
D 7404	LED				SML-310VTT86JK	G2071032		1-	A	E2
D 7405	LED				SML-310VTT86JK	G2071032		1		
D 7406	LED				SML-310VTT86JK	G2071032		1		
D 7407	LED				SML-310VTT86JK	G2071032		1		
J 7401	CONNECTOR				9637S-45-Y905	P1091171		1-	B	e1
J 7402	CONNECTOR				SB20-02WS	P0090609		1	B	b1
J 7402	CONNECTOR				9637S-14-Y905	P1091184		2-	B	b1
J 7403	CONNECTOR				SB20-02WS	P0090609		1	B	c2
J 7403	CONNECTOR				9637S-20-Y905	P1091199		2-	B	c2
J 7404	CONNECTOR				SB20-02WS	P0090609		1		
J 7405	CONNECTOR				09FMN-BMTTN-TFT	P1091089		1		
J 7406	CONNECTOR				9637S-45-Y905	P1091171		1		
Q 7401	IC				BA033CC0FP-E2	G1094077		1	B	b1
Q 7401	IC				BA040LBSG-TR	G1094176		2-	B	b1
Q 7402	IC				UPD78F9026AGB-8ES	G1093504		1	B	a1
Q 7402	IC				BA033CC0FP-E2	G1094077		2-	B	a1
Q 7403	IC				LH52256CT-70LL	G1093162		1	B	c1
Q 7403	IC				NJM2904V-TE1	G1091677		2-	B	c1
R 7401	CHIP RES.	0	1/16W	5%	RMC1/16 000JATP	J24185000		1	B	c1
R 7401	CHIP RES.	3.3k	1/16W	5%	RMC1/16 332JATP	J24185332		2-	B	c1
R 7402	CHIP RES.	10k	1/16W	5%	RMC1/16 103JATP	J24185103		1	B	c1
R 7402	CHIP RES.	3.3k	1/16W	5%	RMC1/16 332JATP	J24185332		2-	B	c1
R 7403	CHIP RES.	3.3k	1/16W	5%	RMC1/16 332JATP	J24185332		1	B	c1
R 7404	CHIP RES.	0	1/16W	5%	RMC1/16 000JATP	J24185000		1	B	c1
R 7405	CHIP RES.	10k	1/16W	5%	RMC1/16 103JATP	J24185103		1	B	e2
R 7405	CHIP RES.	150	1/16W	5%	RMC1/16 151JATP	J24185151		2-	B	e2
R 7406	CHIP RES.	0	1/16W	5%	RMC1/16 000JATP	J24185000		1		
R 7407	CHIP RES.	680	1/4W	5%	RMC1/4 681JATP	J24245681		1		
R 7408	CHIP RES.	680	1/4W	5%	RMC1/4 681JATP	J24245681		1	B	c2
R 7408	CHIP RES.	150	1/16W	5%	RMC1/16 151JATP	J24185151		2-	B	c2
R 7409	CHIP RES.	680	1/4W	5%	RMC1/4 681JATP	J24245681		1		
R 7410	CHIP RES.	10k	1/16W	5%	RMC1/16 103JATP	J24185103		1		
R 7411	CHIP RES.	3.3k	1/16W	5%	RMC1/16 332JATP	J24185332		1	B	b1
R 7411	CHIP RES.	47k	1/16W	5%	RMC1/16 473JATP	J24185473		2-	B	b1
R 7412	CHIP RES.	3.3k	1/16W	5%	RMC1/16 332JATP	J24185332		1	A	D2
R 7412	CHIP RES.	150	1/16W	5%	RMC1/16 151JATP	J24185151		2-	A	D2
R 7414	CHIP RES.	0	1/16W	5%	RMC1/16 000JATP	J24185000		1		
R 7415	CHIP RES.	0	1/16W	5%	RMC1/16 000JATP	J24185000		1	A	D2
R 7415	CHIP RES.	4.7k	1/16W	5%	RMC1/16 472JATP	J24185472		2-	A	D2
R 7416	CHIP RES.	1k	1/16W	5%	RMC1/16 102JATP	J24185102		1	A	D2
R 7416	CHIP RES.	4.7k	1/16W	5%	RMC1/16 472JATP	J24185472		2-	A	D2
R 7417	CHIP RES.	150	1/16W	5%	RMC1/16 151JATP	J24185151		2-	B	a2
R 7418	CHIP RES.	100	1/16W	5%	RMC1/16 101JATP	J24185101		1		
R 7420	CHIP RES.	10k	1/16W	5%	RMC1/16 103JATP	J24185103		1	A	E2

# VR-G Unit

## Parts List

REF	DESCRIPTION	VALUE	V/W	TOL.	MFR'S DESIG	VXSTD P/N	VERS.	LOT	SIDE	LAY ADR
R 7420	CHIP RES.	4.7k	1/16W	5%	RMC1/16 472JATP	J24185472		2-	A	E2
R 7421	CHIP RES.	4.7k	1/16W	5%	RMC1/16 472JATP	J24185472		1-	A	E2
R 7422	CHIP RES.	4.7k	1/16W	5%	RMC1/16 472JATP	J24185472		1		
R 7423	CHIP RES.	4.7k	1/16W	5%	RMC1/16 472JATP	J24185472		1		
R 7424	CHIP RES.	4.7k	1/16W	5%	RMC1/16 472JATP	J24185472		1		
R 7425	CHIP RES.	0	1/16W	5%	RMC1/16 000JATP	J24185000		1		
R 7426	CHIP RES.	0	1/16W	5%	RMC1/16 000JATP	J24185000		1		
R 7427	CHIP RES.	0	1/16W	5%	RMC1/16 000JATP	J24185000		1		
R 7428	CHIP RES.	0	1/16W	5%	RMC1/16 000JATP	J24185000		1		
R 7429	CHIP RES.	0	1/16W	5%	RMC1/16 000JATP	J24185000		1		
R 7430	CHIP RES.	0	1/16W	5%	RMC1/16 000JATP	J24185000		1		
R 7431	CHIP RES.	0	1/16W	5%	RMC1/16 000JATP	J24185000		1		
R 7432	CHIP RES.	0	1/16W	5%	RMC1/16 000JATP	J24185000		1		
R 7433	CHIP RES.	0	1/16W	5%	RMC1/16 000JATP	J24185000		1		
R 7434	CHIP RES.	0	1/16W	5%	RMC1/16 000JATP	J24185000		1		
R 7435	CHIP RES.	0	1/16W	5%	RMC1/16 000JATP	J24185000		1		
R 7436	CHIP RES.	0	1/16W	5%	RMC1/16 000JATP	J24185000		1		
R 7437	CHIP RES.	470	1/16W	5%	RMC1/16 471JATP	J24185471		1		
R 7438	CHIP RES.	470	1/16W	5%	RMC1/16 471JATP	J24185471		1		
R 7439	CHIP RES.	470	1/16W	5%	RMC1/16 471JATP	J24185471		1		
R 7440	CHIP RES.	470	1/16W	5%	RMC1/16 471JATP	J24185471		1		
R 7441	CHIP RES.	0	1/16W	5%	RMC1/16 000JATP	J24185000		1		
R 7442	CHIP RES.	0	1/16W	5%	RMC1/16 000JATP	J24185000		1		
R 7443	CHIP RES.	0	1/16W	5%	RMC1/16 000JATP	J24185000		1		
R 7444	CHIP RES.	0	1/16W	5%	RMC1/16 000JATP	J24185000		1		
R 7445	CHIP RES.	0	1/16W	5%	RMC1/16 000JATP	J24185000		1		
R 7446	CHIP RES.	0	1/16W	5%	RMC1/16 000JATP	J24185000		1		
R 7447	CHIP RES.	0	1/16W	5%	RMC1/16 000JATP	J24185000		1		
R 7448	CHIP RES.	0	1/16W	5%	RMC1/16 000JATP	J24185000		1		
R 7449	CHIP RES.	0	1/16W	5%	RMC1/16 000JATP	J24185000		1		
R 7450	CHIP RES.	0	1/16W	5%	RMC1/16 000JATP	J24185000		1		
R 7451	CHIP RES.	0	1/16W	5%	RMC1/16 000JATP	J24185000		1		
R 7452	CHIP RES.	0	1/16W	5%	RMC1/16 000JATP	J24185000		1		
R 7453	CHIP RES.	0	1/16W	5%	RMC1/16 000JATP	J24185000		1		
R 7454	CHIP RES.	0	1/16W	5%	RMC1/16 000JATP	J24185000		1		
R 7455	CHIP RES.	0	1/16W	5%	RMC1/16 000JATP	J24185000		1		
R 7456	CHIP RES.	0	1/16W	5%	RMC1/16 000JATP	J24185000		1		
R 7457	CHIP RES.	0	1/16W	5%	RMC1/16 000JATP	J24185000		1		
S 7401	ROTARY ENCODER				EC11EBB20C	Q9000823		1	A	A2
S 7401	TACT SWITCH				SKRPABE010	N5090133		2-	A	A2
S 7402	TACT SWITCH				SKRPABE010	N5090133		1-	A	C2
S 7403	TACT SWITCH				SKRPABE010	N5090133		1	A	D1
S 7403	ROTARY ENCODER				EC11B15204	Q9000839		2-	A	D1
S 7404	TACT SWITCH				SKRPABE010	N5090133		1-	A	C2
S 7405	TACT SWITCH				SKRPABE010	N5090133		1	A	E1
S 7405	ROTARY ENCODER				EC11B15204	Q9000839		2-	A	E1
S 7406	TACT SWITCH				SKRPABE010	N5090133		1-	A	E2
S 7407	TACT SWITCH				SKRPABE010	N5090133		1		
S 7408	TACT SWITCH				SKRPABE010	N5090133		1		
S 7409	TACT SWITCH				SKRPABE010	N5090133		1		
S 7410	TACT SWITCH				SKRPABE010	N5090133		1		
S 7411	TACT SWITCH				SKRPABE010	N5090133		1		
S 7412	TACT SWITCH				SKRPABE010	N5090133		1		
S 7413	TACT SWITCH				SKRPABE010	N5090133		1		
S 7414	TACT SWITCH				SKRPABE010	N5090133		1		
S 7415	TACT SWITCH				SKRPABE010	N5090133		1		
S 7416	TACT SWITCH				SKRPABE010	N5090133		1		
S 7417	TACT SWITCH				SKRPABE010	N5090133		1		
S 7418	TACT SWITCH				SKRPABE010	N5090133		1		
S 7419	TACT SWITCH				SKRPABE010	N5090133		1		
VR7401	POT.	10k			EVN-5ESX50B14	J51811103		1	B	c1
VR7401	POT.	1M			EVN-5ESX50B16	J51811105		2-	B	c1
VR7402	POT.	10k			EVN-5ESX50B14	J51811103		1	B	c1
VR7402	POT.	1M			EVN-5ESX50B16	J51811105		2-	B	c1
VR7403	POT.	10k			EVN-5ESX50B14	J51811103		1	A	A1
VR7403	POT.				RH96N289 B103 RY-7901	J60800286		2-	A	A1
VR7403	POT.				RH96N289 B103 RY-7950	J60800289		8-	A	A1
VR7404	POT.				RH96N289 B103 RY-7901	J60800286		2-	A	B1
VR7404	POT.				RH96N289 B103 RY-7950	J60800289		8-	A	B1
X 7401	XTAL U3B	3.6864MHZ			3.686400MHZ (11p)	H0103307		1		







Copyright 2005  
VERTEX STANDARD CO., LTD.  
All rights reserved

No portion of this manual  
may be reproduced without  
the permission of  
VERTEX STANDARD CO., LTD.