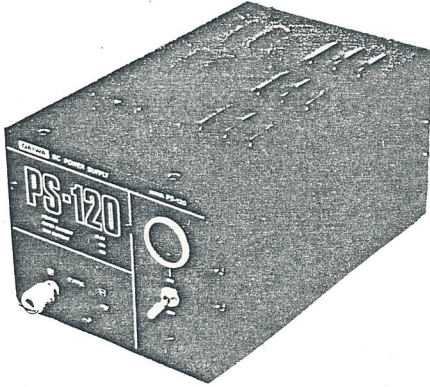


# DAIWA REGULATED DC POWER SUPPLY.

MODEL NO. PS - 120

(WITHOUT A METER, WITH CIGARETTE\_LIGHTER SOCKET)



## FEATURES:

DAIWA PS-120M regulated DC Power Supply is made of 7 semiconductors which supply DC 12A (max). well-regulated DC current to various electronic instrument. Over-current limiting protection circuit: The protection circuit protects from the braking down the power supply circuitry when shorting positive and negative line when over current flows the power supply circuitry.

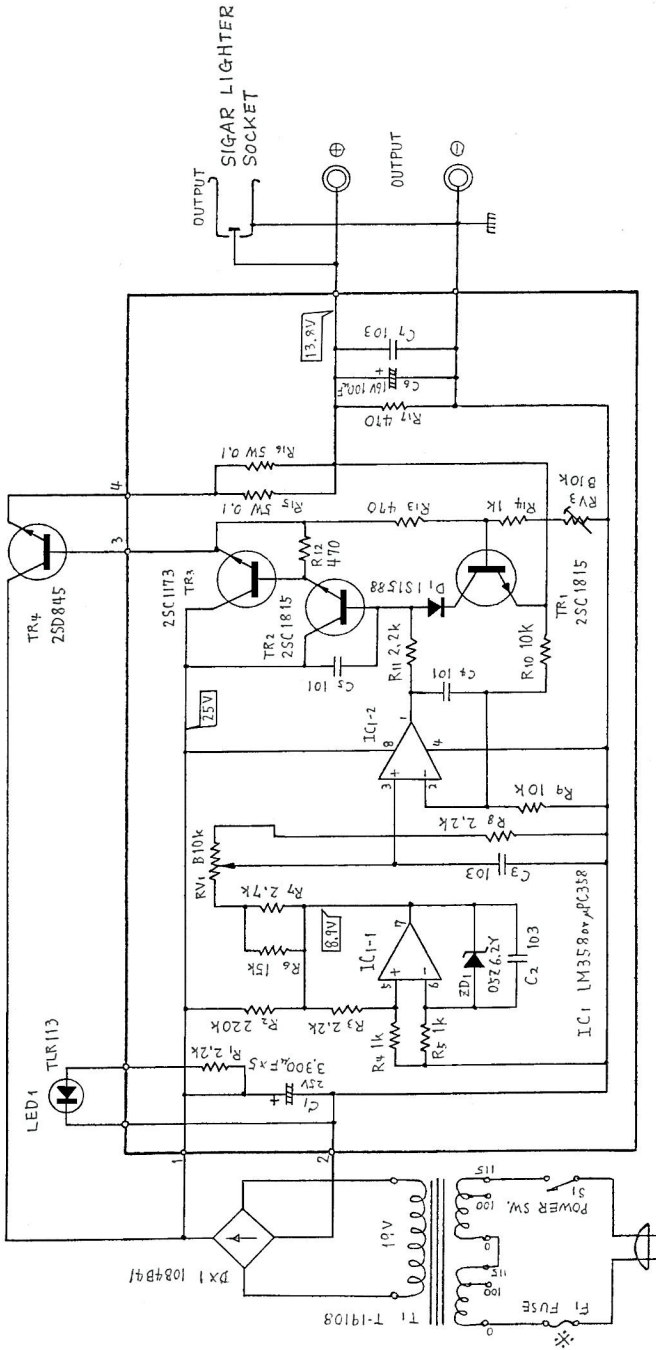
Cigarette-lighter socket: This is very convenient for getting DC power from the socket in front panel.

## SPECIFICATION:

INPUT VOLTAGE:	AC 240V AC 50/60 HZ
OUTPUT VOLTAGE, DC CURRENT :	DC 12A max. DC 10A rating (9.2A continuous)
VOLTAGE FLUCTUATION:	Less than 1 % with rated output
RIPPLES VOLTAGE:	Less than 1 mV "
PROTECTION CIRCUIT:	Automatic current limiting, 12A output
SEMI CONDUCTORS:	1 IC, 4 TRs. 1 diode, 1 Zener Diode
DIMENSIONS:	128 W x 104 H x 200D m/m
WEIGHT:	4.7 Kgs approx, net

CAUTION: The installing place of PS-120 : Wellventulated place is recommended. Keep rated current, or, RIPPLE OR HUM will be increased and output voltage will be dropped. Protection circuitry activated when over-current flows. Connect ceramic capacitor 0.01 uF between output terminals  $\oplus$  and  $\ominus$  on the front panel of the PS-120 when output voltage is influenced by RF power, and also connect the chassis of PS-120 to earth ground with heavy thick wire.

**DAIWA INDUSTRY CO., LTD.**



AC 240V  
50/60Hz

SCHEMATIC DIAGRAM PS-120

Note ※ (117V AC ... 4-A Fuse)  
230 AC ... 2-A Fuse  
240 AC ... 2-A Fuse

**DAIWA INDUSTRY CO., LTD.**  
No. 90 9 FL. TOC BLDG.  
7 CHOME, 22-17. NISHI GOTANDA.  
SHINAGAWA KU. TOKYO.