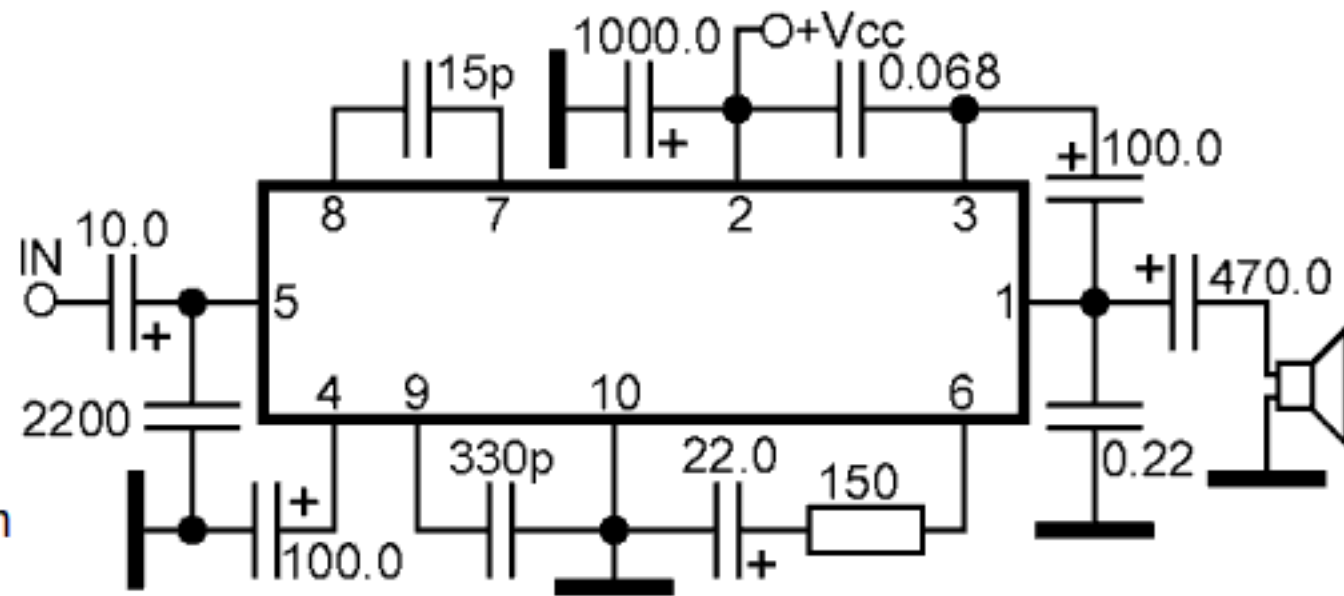


## Power audio amplifier



**Note:**  
M51513R are inverted pin layout on  
M51513L on right and left pins

ECG1256  
M51513L  
M51513R  
SK3873