

# AN240P

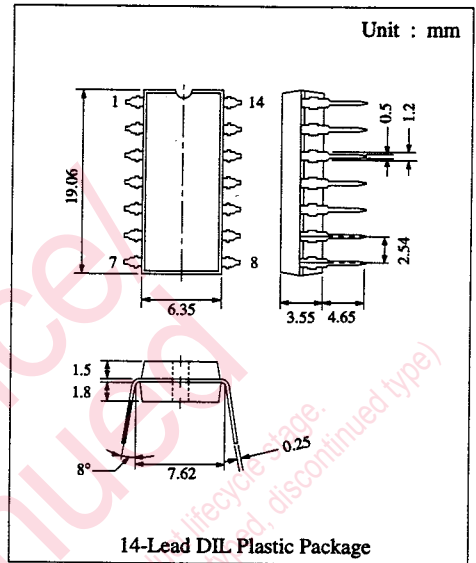
## TV Sound IF Amplifier, FM Detector Circuits

### ■ Description

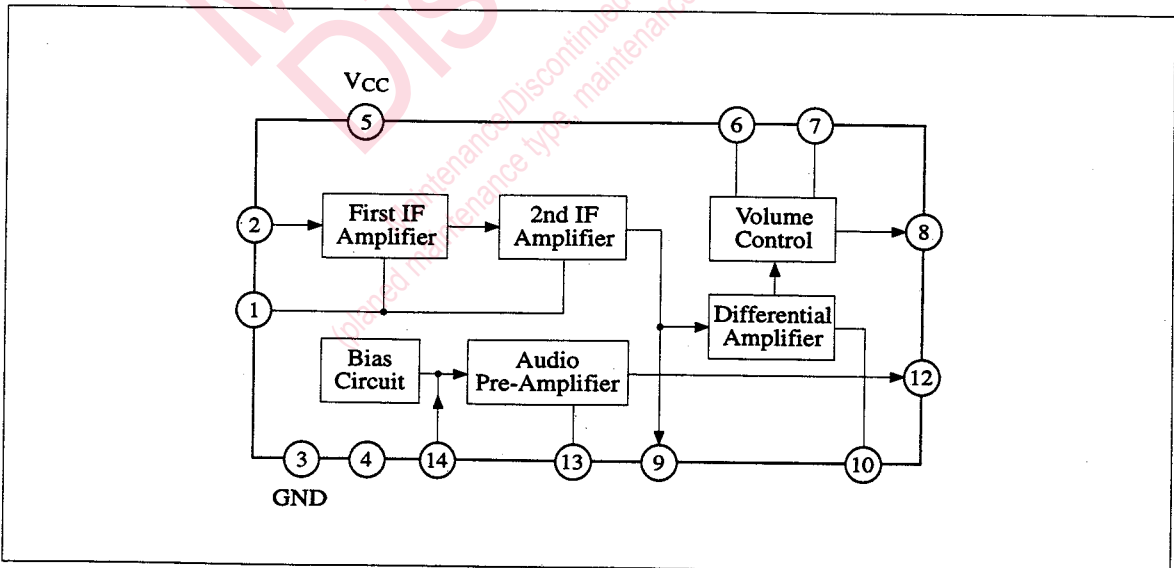
AN240P is an integrated circuit designed for Sound IF Amp and FM Detector in TV receiver sets.

### ■ Features

- Sound IF Amplifier
- FM Detector
- DC Volume Control Circuit
- Sound Pre-amplifier
- Differential Peak Detector Circuit
- Operates on 12V Supply



### ■ Block Diagram



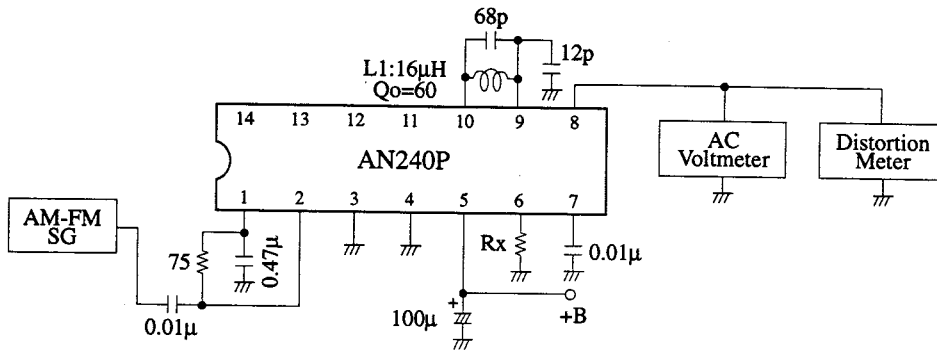
### ■ Absolute Maximum Ratings (Ta=25°C)

Item		Symbol	Rating		Unit
Supply Voltage		VCC	14.4		V
Voltage		V1-3	5	0	V
		V2-3, 10-3	4	-5	V
		V6-3	V5-3	-5	V
		V7-3	V5-3	0	V
		V9-3	4	0	V
		V14-3	3	-5	V
Current		I1, 2, 14	1	-0.1	mA
		I6, 7, 9	1	-1	mA
		I8	0.5	-6	mA
		I10	1	-0.1	mA
		I12	0.5	-6	mA
		I13	1	-2	mA
Supply Current		ICC	50		mA
Power Dissipation (Ta ≤ 70 °C)		PD	445		mW
Temperature	Operating Ambient Temperature	Topr	-20 ~ +70		°C
	Storage Temperature	Tstg	-40 ~ +150		°C

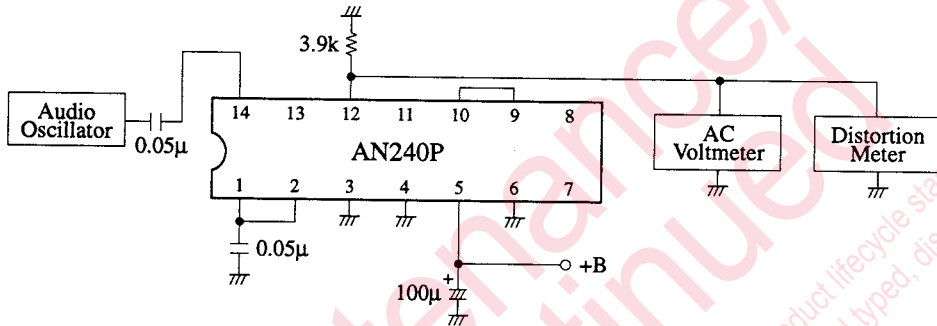
### ■ Electrical Characteristics (VCC=V5-3=12V, Ta=25°C)

Item	Symbol	Test Cct.	Condition	min.	typ.	max.	Unit	
Total Circuit Current	I <sub>tot</sub>			17	22.5	27	mA	
IF Input Voltage	V <sub>1-3</sub>		Pin 1 - 2 shorted Pin 9 - 10 shorted		2		V	
Volume Control	V <sub>6-3</sub>			4.8		V		
De-emphasis	V <sub>7-3</sub>			6.1		V		
IF Output	V <sub>9-3</sub>			3.7		V		
Audio Output	V <sub>12-3</sub>			4.3	5.4	6.1	V	
Input Limiting Voltage (-3dB)	V <sub>i(lim)</sub>	1		fo=4.5MHz, fm=400Hz, Δf=±25kHz		250	400	μVrms
AM Rejection	AMR	1	fo=4.5MHz, fm=400Hz, Δf=±25kHz AM=400Hz 30%, Vi=100mVrms, Rx=0	40	50		dB	
Input Impedance	R <sub>i(IF)</sub>		fo=4.5MHz, Pin 1-2		20		kΩ	
Input Impedance	C <sub>i(IF)</sub>		fo=4.5MHz, Pin 1-2		4.7		pF	
Output Impedance	R <sub>o(IF)</sub>		fo=4.5MHz, Pin 9-3		3.25		kΩ	
Output Impedance	C <sub>o(IF)</sub>		fo=4.5MHz, Pin 9-3		10		pF	
Demodulation Output	V <sub>o(AF)</sub>	1	fo=4.5MHz, fm=400Hz, Δf=±25kHz Vi=100mVrms, Rx=0	0.6	0.8	1.2	Vrms	
THD (Demod.)	THD <sub>(1)</sub>	1			0.9	2.0	%	
Output Resistance Pin 7	R <sub>O</sub>		f=400Hz		7.5		kΩ	
Output Resistance Pin 8	R <sub>O</sub>		f=400Hz		300		Ω	
Attenuation (max.)	Att	1	fo=4.5MHz, fm=400Hz, Δf=±25kHz Vi=100mVrms, Rx=∞	60	80		dB	
AF Pre-Amp	Gain	G <sub>V(AF)</sub>	2	f=400Hz, Vi=100mVrms	17.5	20	23	dB
	THD	THD <sub>(2)</sub>	2	f=400Hz, Vi=2Vrms		1.5		%
	Output	V <sub>O</sub>	2	f=400Hz, THD=5%	2	2.5		Vrms
	Input Resistance	R <sub>i(AF)</sub>		f=400Hz		50		kΩ
	Output Resistance	R <sub>o(AF)</sub>		f=400Hz		270		Ω

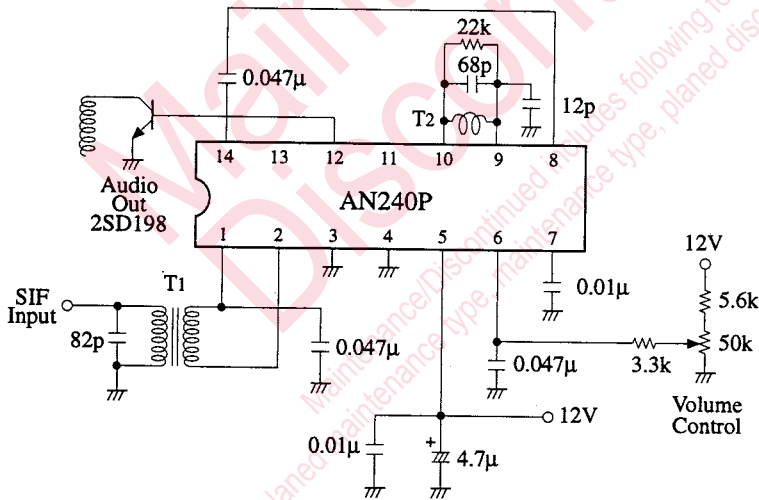
Test Circuit 1 ( $V_{i(lim)}$ , AMR,  $V_{O(AF)}$ , THD(1), Att)



Test Circuit 2 ( $G_{V(AF)}$ , THD(2),  $V_O$ )



Application Circuit



Coil Specifications

Symbol	Diagram	Turns of coil	Kind of wire	Core
T1		N1 46T	2UEW 0.08	L(④ - ⑥): 13μH±10%
		N2 6T	2UEW 0.08	
T2		48.5T	2UEW 0.08	L(③ - ④): 13-8μH±10%

## Request for your special attention and precautions in using the technical information and semiconductors described in this book

- (1) If any of the products or technical information described in this book is to be exported or provided to non-residents, the laws and regulations of the exporting country, especially, those with regard to security export control, must be observed.
- (2) The technical information described in this book is intended only to show the main characteristics and application circuit examples of the products. No license is granted in and to any intellectual property right or other right owned by Panasonic Corporation or any other company. Therefore, no responsibility is assumed by our company as to the infringement upon any such right owned by any other company which may arise as a result of the use of technical information described in this book.
- (3) The products described in this book are intended to be used for standard applications or general electronic equipment (such as office equipment, communications equipment, measuring instruments and household appliances).  
Consult our sales staff in advance for information on the following applications:
  - Special applications (such as for airplanes, aerospace, automobiles, traffic control equipment, combustion equipment, life support systems and safety devices) in which exceptional quality and reliability are required, or if the failure or malfunction of the products may directly jeopardize life or harm the human body.
  - Any applications other than the standard applications intended.
- (4) The products and product specifications described in this book are subject to change without notice for modification and/or improvement. At the final stage of your design, purchasing, or use of the products, therefore, ask for the most up-to-date Product Standards in advance to make sure that the latest specifications satisfy your requirements.
- (5) When designing your equipment, comply with the range of absolute maximum rating and the guaranteed operating conditions (operating power supply voltage and operating environment etc.). Especially, please be careful not to exceed the range of absolute maximum rating on the transient state, such as power-on, power-off and mode-switching. Otherwise, we will not be liable for any defect which may arise later in your equipment.
  - Even when the products are used within the guaranteed values, take into the consideration of incidence of break down and failure mode, possible to occur to semiconductor products. Measures on the systems such as redundant design, arresting the spread of fire or preventing glitch are recommended in order to prevent physical injury, fire, social damages, for example, by using the products.
- (6) Comply with the instructions for use in order to prevent breakdown and characteristics change due to external factors (ESD, EOS, thermal stress and mechanical stress) at the time of handling, mounting or at customer's process. When using products for which damp-proof packing is required, satisfy the conditions, such as shelf life and the elapsed time since first opening the packages.
- (7) This book may be not reprinted or reproduced whether wholly or partially, without the prior written permission of our company.