

M-795 POWER

MULTI STANDARD PROGRAMMABLE
27 MHz CB MOBILE TRANSCEIVER

OWNER'S MANUAL
MANUALE DI ISTRUZIONI



Downloaded from www.cb-radio.nl

INTEK®

Declaration of Conformity

EC Certificate of Conformity
(to EC Directive 99/5-89/336-93/68-73/23)

DECLARATION OF CONFORMITY

With the present declaration, we certify that the following products :

INTEK M-795 POWER

comply with all the technical regulations applicable to the above mentioned products in accordance with the EC Directives 73/23/EEC, 89/336/EEC and 99/5/EC.

Type of product : CB Transceiver

Details of applied standards : EN 300 433-1/-2, EN 300 135-1/-2
(Essential Requirements)
EN 301 489-1, EN 301 489-13, EN 60065

Manufacturer : **INTEK S.R.L.**
16 via G. Marconi
20090 Segrate, Italy
Tel. 39-02-26950451 / Fax. 39-02-26952185
E-mail : intek.com@intek-com.it

Notified Body : EMCert Dr. Rasek
Boelwiese 5, 91320 Ebermannstadt
Germany
Identification Number : 0678

Contact Reference : Armando Zanni
Tel. 39-02-26950451 / Fax. 39-02-26952185
E-mail : intek.com@intek-com.it

Segrate, 30/01/2008

dr. Vittorio Zanetti
(General Manager)

NOTICE !

It is recommended to carefully read this owner's manual before using the product. This will also help the user to prevent using the radio in violation of the regulations valid in the country where the product is used, as well as to avoid any possible interferences with other services.

CE 0678



Index	1
Introduction / Content of the packaging	1
Controls and operation	2-7
Installation	8
Frequency bands table	9
Frequency band selection / programming	10
Table of restrictions on the use of CB transceivers	10
Specifications	11
Table of restrictions on the use of CB transceivers	I
ESP Comander Diagram	II
PCB - Main Board & CPU Board	III-IV
Diagram	V-VI
Block Diagram	VII-VIII

NOTICE !

Before using this transceiver, please check that the radio has been programmed on the frequency bands, specifications and operating modes allowed by the regulations valid in the country where the product is used. If not, please proceed to modify the frequency band programming, as it is described in this owner's manual. This transceiver is factory pre-programmed on the CE European frequency band (CEPT 40CH FM 4W).

Congratulations!

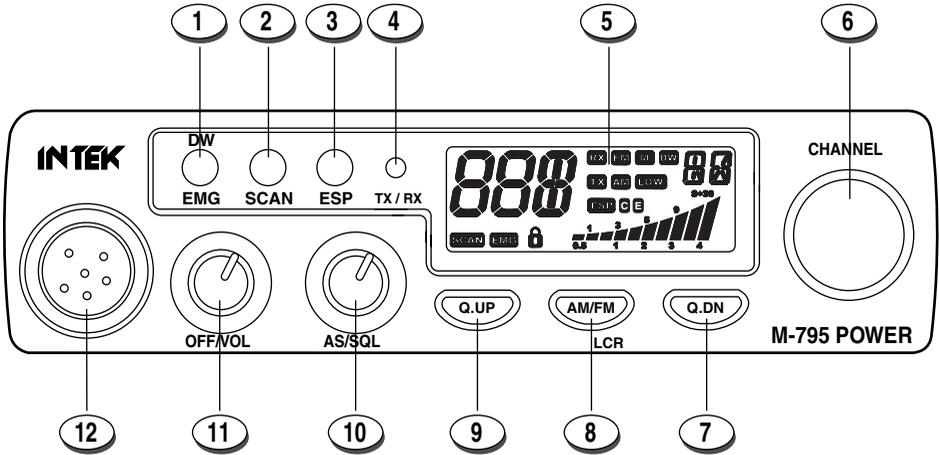
Congratulations for selecting and purchasing an INTEK quality product. This transceiver includes a number of advanced functions and systems, therefore it is definitely necessary to carefully read this owner's manual before using the radio. With a correct use of the product in accordance with the operating method described in this manual, the product will offer a trouble free use for many years. INTEK is constantly engaged to develop and provide quality products meeting the customers requirements, however any suggestion or comments on this product that might help us to improve quality are warmly welcome. INTEK M-795 POWER is a CB transceiver using advanced hardware and software design, it includes a special multi-standard programmable circuit, which allows to program the specifications of the radio (frequency bands, operating modes, transmitter power) in compliance with the regulations valid in the various European countries. Therefore this product can be used in any country of the European Community. The radio is delivered factory pre-programmed on the CE European frequency band (CEPT 40CH FM 4W).

Content of the packaging

Please check that all the following items are contained in the packaging :

- main unit (transceiver)
- DC power cord with fuse holder and fuse
- dynamic microphone
- car mounting bracket
- car mounting bracket accessories (hardware, knobs, etc.)
- microphone bracket
- owner's manual

Front panel



1. DW / EMG Key

This key is used to enable the DW (Dual Watch) function and the EMG (Emergency Channels) function.

DW (Dual Watch)

The DW (Dual Watch) function allows automatic monitoring of two programmable channels. Refer to the following procedures to enable this function. Select the first channel to monitor using the channel selector knob (6) or the channel selector keys on the microphone (18, 20). Press the DW key for about 1.5 seconds and the DW icon will blink on the LCD display. Select now the second channel to monitor, following the same procedure. Finally press the DW key for about 1.5 seconds and the two programmed channels will be alternately indicated on the LCD display. Radio will automatically start monitoring (scanning) the two programmed channels. When a signal is detected on one of the channels, scanning stops and it is possible to listen to communication on that channel. It is possible to transmit on the channel, by pressing the PTT key (17). If there is no transmission within 5 seconds, radio will start scanning the two channels again. When the DW function is enabled, the DW icon (F) appears on the LCD display. To exit the DW function, shortly press the DW key or the PTT key (17).

EMG (Emergency Channels)

Shortly press the DW/EMG key to select the emergency channels. Two emergency channels (CH9, CH19) are pre-programmed according to the selected frequency band (refer to the following table). Each time the key is shortly pressed, radio selects CH19, then CH9, then the normal operating channel. When an emergency channel is selected (CH9, CH19), the EMG icon (N) appears on the LCD display.

FREQUENCY BAND ID CODE	I0	I2	DE	D2	EU	CE	SP	FR	UK	PL
CH-9	AM	AM	AM	AM	AM	FM	AM	AM	FM	AM
CH-19	AM	AM	AM	AM	AM	FM	AM	AM	FM	AM

2. SCAN Key

By pressing the SCAN key, the SCAN (automatic scanning of busy channels) function is enabled. To enable the SCAN function, first turn the SQUELCH control (10) clockwise, until the background noise is cut. Then press the SCAN key, radio will automatically start scanning all channels continuously and the SCAN icon (O) will appear on the LCD. Auto-scan stops if a signal is detected on a channel, in order to let the user listen to the incoming signal and will start scanning again when no signal is detected on that channel. It is possible to remain on that channel by pressing the PTT key (17) within 5 seconds, otherwise radio will start scanning again. Auto-scan may be also re-started at any time by pressing again the SCAN key. To exit the SCAN mode, shortly press the PTT key (17).

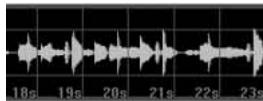
3. ESP (Electronic Speech Processor) Key

The ESP (Electronic Speech Processor) is a unique feature available in some INTEK two-way CB radios. ESP means Electronic Speech Processor, in other words electronic modulation processor. This audio processor is microprocessor controlled and it is also called COMPANDER (Compressor-Expander). It works as a modulation compressor in transmit mode and as a modulation expander in receive mode. The ESP allows to obtain a stronger, clear and clean audio signal and it is a great help in noisy areas and in case of weak signals or in long distance communication. The efficiency of ESP is even greater when both stations use this device. The 2nd generation ESP allows to enable only the TX compressor, only the RX expander or both systems.

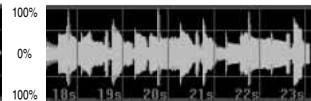
To enable or disable the ESP functions, press the ESP key (3), as follows :

- 1) Press the key once to enable the TX modulation compressor. The **ESP C** (L) icon will appear on the LCD.
- 2) Press the key again to enable the RX modulation expander. The **ESP E** (L) icon will appear on the LCD.
- 3) Press the key again to enable both the TX modulation compressor and the RX modulation expander. The **ESP C E** (L) icon will appear on the LCD.
- 4) Press the key once again to disable all systems.

ESP performance
of the modulation
in RX and TX modes



Modulation without ESP



Modulation with ESP

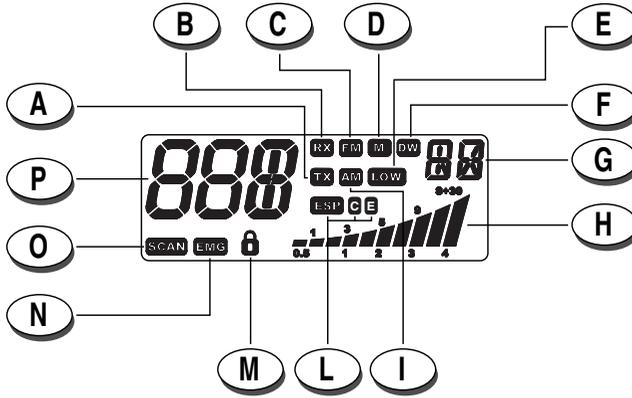
4. TX/RX Indicator

This green-red dual colour LED indicator lights up in green colour when radio is in receive mode and in red colour when radio is in transmit mode.

5. LCD Display

Large size LCD display with an orange colour backlighting system, for best readability. The LCD display shows all the enabled functions as well as other information programmable by the user, such as the programmed band ID code. It also includes a digital 10-bar S/R/F Meter to monitor the strength/power of the received and transmitted signals.

LCD Display



A. TX Icon

The TX icon is lighted when radio is in transmit mode.

B. RX Icon

The RX icon is lighted when radio is in receive mode.

C. FM Icon

The FM icon is lighted when radio receives and transmits in FM mode (frequency modulation).

D. M Icon

Not used.

E. LOW Icon

The LOW icon is lighted when the transmitter is in the LOW POWER (1W) mode.

F. DW Icon

The DW icon is lighted when the DUAL WATCH function (automatic monitoring of two channels) is enabled.

G. Frequency Band ID Code

It indicates the programmed frequency band ID code (i.e. DE, UK, CE, etc.).

H. S/R/F Digital Meter

A digital 10-bar S/R/F METER indicates the strength of the received signal (from S0 to S9+30) in the receive mode and the transmitter RF output power (0 to 4W) in the transmit mode.

I. AM Icon

The AM icon is lighted when radio receives and transmits in AM mode (amplitude modulation).

L. ESP C E Icon

The ESP C E icon is lighted when the ESP (Electronic Speech Processor) function has been enabled. The ESP is an RX & TX electronic modulation processor.

M. LOCK Icon

The LOCK icon is lighted when the LOCK function has been enabled.

N. EMG Icon

The EMG icon is lighted when one of the special pre-programmed emergency channels has been selected.

O. SCAN Icon

The SCAN icon is lighted when the SCAN function (automatic search of busy channels) is enabled.

P. Alphanumeric Digits

These three numeric or alphanumeric digits indicate the operating channel number (01 to 80, according to the programmed frequency band).

6. CHANNEL Selector

This knob selects the channel number, by one channel steps. The knob may be turned clockwise to select channels upward or counter clockwise to select channels downward.

7. Q.DN (Quick Down) Key

This key allows fast selection of the operating channel downward. Each time this key is pressed, the channel number moves down by 10 channels.

8. AM/FM and LCR Key

AM/FM SELECTOR

This key allows to select the AM or FM operating mode in both RX and TX. The AM/FM operating mode selection is possible only if it is allowed the programmed frequency band, otherwise the selection is not possible.

LCR

Pressing this key for about 1.5 seconds, the last used channel will be automatically recalled.

UK / CE SELECTOR

If the UK frequency band has been programmed, shortly pressing this key, it will be possible to select between the UK channels (frequencies) and the CE channels (frequencies).

9. Q.UP (Quick UP) Key

This key allows fast selection of the operating channel upward. Each time this key is pressed, the channel number moves up by 10 channels.

10. AS/SQL Control

SQUELCH CONTROL (SQUELCH manual adjustment)

The SQUELCH control allows to silent the receiver by cutting the background noise, when no signals are received. Turn the knob clockwise until the background noise is cut. Turn the knob counter clockwise (SQUELCH opening) in order to listen to the weakest signals.

AS CONTROL (SQUELCH fixed setting)

The AS function allows to automatically silent the receiver, avoiding the SQUELCH manual adjustment. A fixed SQUELCH threshold is factory pre-set. To enable the fixed SQUELCH function, turn the knob fully counter clockwise to the AS position, until a click noise is heard.

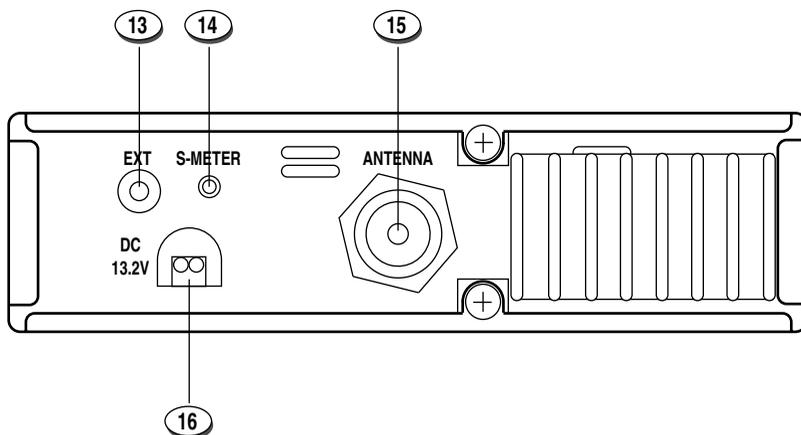
11. OFF/VOL (OFF / Volume) Control

This knob switches the radio ON and OFF and it adjusts the volume control. If no signals are being received on the operating channel, it is suggested to open the SQUELCH and adjust the volume to the desired level while listening to the background noise.

12. MICROPHONE Connector

Connect the supplied dynamic microphone to this connector, locking it through the ring nut.

Rear Panel



13. EXT (External Speaker) Jack

This jack is for connecting an external speaker (optional).

14. S-METER Jack

This jack is for connecting an external S-METER (optional).

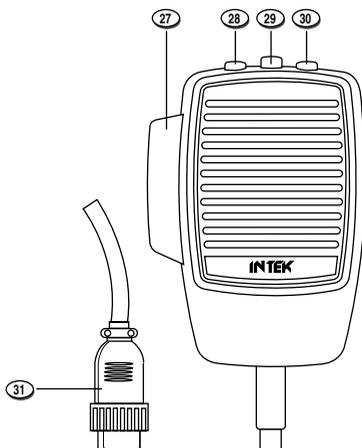
15. ANTENNA Connector (SO-239)

Antenna connector. Refer to the section INSTALLATION OF THE ANTENNA.

16. 13.2VDC POWER CORD

13.2VDC power cord input.

Microphone



17. PTT (Push-to-Talk) Key

Transmitter key. Press the PTT key to transmit and release it to return to the receive mode.

18. UP (Channel Selector) Key

Each time this key is pressed, the channel number will move upward by one channel.

19. LOCK (Keypad Lock) Key

The LOCK function is enabled when pressing this key, in order lock the keypad and prevent entering unwanted commands. When the LOCK function is enabled, the LOCK icon (L) appears on the LCD display.

20. DOWN (Channel Selector) Key

Each time this key is pressed, the channel number will move downward by one channel.

21. MICROPHONE Plug

6-pole microphone plug with locking ring nut, to be connected to the microphone connector (12) located on the front side of the radio.

IMPORTANT !

Do never attempt to open the cabinet of the transceiver. No user serviceable parts inside. Internal modifications or tampering may cause damage to the product, modify its technical specifications and will void warranty rights. If service or repair are required, please go to an authorised service centre or specialized technician.

Installation

Before installing the main unit in the vehicle, check and select the most convenient location, in order that the radio will be easy to reach and comfortable to operate, without disturbing or interfering with the vehicle drive. Use the supplied bracket and hardware to install the radio. The bracket screws must be well tightened in order not to become loosen with the vehicle vibrations. The car mounting bracket can be installed over or below the radio and the radio may be inclined as desired according to the specific type of installation (under dashboard or track cabin roof installation).

Installation of the Main Unit

Before connecting the radio to the vehicle electric system, make sure that radio is switched off, with the OFF/VOL (11) knob completely turned counter clockwise at OFF position. The DC power cable (16) of the radio is complete with a fuse holder with fuse located on the red positive (+) wire. Connect the DC power cable to the vehicle electric system, with special attention to respect correct polarity, even if the radio is protected against polarity inversion. Connect the red wire to the positive (+) pole and the black wire to the negative (-) pole of the vehicle electric system. Make sure that the wires and terminals are firmly and stably connected, in order to prevent cables from disconnecting or causing short circuits.

Installation of the Antenna

A specific mobile antenna adjusted for 27 MHz frequency range must be used. The antenna installation must be done by a specialised technician or service centre. Please pay special attention to carefully install the antenna on the vehicle with perfect connection to ground. Before connecting the antenna to the radio, it is necessary to check the correct operation of the antenna with low standing wave ratio (S.W.R.), using adequate instruments. If not, the transmitter circuit of the radio could be damaged. The antenna must be usually installed on the highest part of the vehicle, free from obstacles and as far away as possible from any source of electric or electromagnetic noise. The RF antenna coaxial cable must not be damaged or pressed on its way between antenna and the radio. The correct operation of the antenna and the low standing wave ratio (S.W.R.) must be checked periodically. Connect the RF antenna coaxial cable to the antenna connector (15), located on the rear side of the radio.

Checking Operation of the Radio

Once radio has been connected to the vehicle electric system and to the antenna, the correct operation of the system may be checked. Please proceed as follows :

- 1) Check that the power cable is correctly connected.
- 2) Check that the RF antenna coaxial cable is correctly connected.
- 3) Connect the microphone to the connector (12), located on the front side of the radio.
- 4) Rotate the AS/SQL (10) knob counter clockwise.
- 5) Turn radio on using the OFF/VOL (11) knob and adjust volume to the desired level.
- 6) Select the desired channel, using the channel selector knob (6) or the channel selector keys on the microphone (18, 20).
- 7) Rotate the AS/SQL (10) knob clockwise, to cut the background noise.
- 8) Press the PTT (17) key to transmit and release it to receive.
- 9) Check the level of the received and transmitted signals on the digital bar S/RF Meter (H) on the LCD display.

The transceiver will work correctly.

Frequency bands table - User Information

Frequency Bands Table

The transceiver INTEK M-795 POWER includes an advanced multi-standard programmable circuit, which allows to program different frequency bands, specifications and operating modes, in conformity with the regulations in the country where the product is used. 10 programmable frequency bands are available, as per the below table :

FREQUENCY BAND ID CODE	COUNTRY	SPECIFICATIONS (CH, operating modes, TX power)
I0	ITALY	40CH AM / FM 4W
I2	ITALY	36CH AM / FM 4W
DE	GERMANY	80CH FM 4W - 12CH AM 1W
D2	GERMANY	40CH FM 4W - 12CH AM 1W
EU	EUROPE	40CH FM 4W - 40CH AM 1W
CE	CEPT	40CH FM 4W
SP	SPAIN	40CH AM / FM 4W
FR	FRANCE	40CH FM 4W - 40CH AM 1W
UK	UK	40CH FM 4W UK FREQUENCIES - 40CH FM 4W CEPT FREQUENCIES
PL	POLAND	40CH AM / FM 4W POLISH FREQUENCIES

Attention ! This radio has been factory pre-programmed on the **CE** frequency band (**CEPT 40CH FM 4W**), since this standard is currently accepted in all the European countries. Please refer to the information table at page I (Restrictions on the use of CB transceivers).

User Information

in accordance with art. 13 of the Legislative Decree of 25th July 2005, no. 15 "Implementation of Directives 2002/95/EC, 2002/96/EC and 2003/108/EC, relative to reduction of the use of hazardous substances in electrical and electronic equipment, in addition to waste disposal".



The crossed bin symbol shown on the equipment indicates that at the end of its working life the product must be collected separately from other waste.

The user must therefore take the above equipment to the appropriate differentiated collection centres for electronic and electro technical waste, or return it to the dealer when purchasing a new appliance of equivalent type, in a ratio of one to one.

Appropriate differentiated waste collection for subsequent recycling, treatment and environment-friendly disposal of the discarded equipment helps to prevent possible negative environmental and health effects and encourages recycling of the component materials of the equipment.

Illegal disposal of the product by the user will be punished by application of the administrative fines provided for by the legislative decree no. 22/1997 (article 50 and following of the legislative decree no. 22/1997).

Frequency Band Selection / Programming

The radio must be programmed and used exclusively on a frequency band allowed in the country where the product is used. It is possible to program a different frequency band, as per the following procedures :

- 1) Switch off the radio.
- 2) Press and hold the EMG (1) key while turning on the radio, using the OFF/VOL (11) knob.
- 3) The current programmed frequency ID code (G) will blink on the LCD display (2 digits).
- 4) Now select the desired new country code, using the channel selector knob (6).
- 5) Shortly press the EMG (1) key to confirm.

Table of Restrictions on the Use of CB Transceivers (page I)

The following information are to be considered only just as an indication. They are believed to be correct at the time of printing this operating manual. It is however the user's responsibility to check that, in the country where radio is used, the regulations for the use of CB transceivers have not been modified. User is therefore suggested to contact the local dealer or local authority, in order to check the current regulations for the use of CB transceivers, before operating this product. The manufacturer does not take any responsibility if the product is used in violation of the regulations of the country where the product is used.

Addendum (Updated information on national restrictions)

BELGIUM, UK, SPAIN, SWITZERLAND

In order to use this transceiver in Belgium, UK, Spain and Switzerland, residence must have an individual licence. Users coming from abroad may freely use the radio in FM mode, while in order to use it in AM mode they must hold a licence released in their own country.

ITALY

Foreigners arriving in Italy must get an Italian authorization.

AUSTRIA

Austria does not allow using multi standard programmable CB radios. It is recommended to carefully follow this directives and not to use the product in the Austrian territory.

GERMANY

Along some border areas in Germany, the radio can not be used as a base station from channel 41 to channel 80. Refer to local authority (notification office) for details.

Specifications

General

Channels	40 FM (refer to the frequency bands table at page 9)
Frequency range	27 MHz Citizen Band
Frequency control	P.L.L.
Operatine temperature	-10°/+55°C
DC input voltage	13.2Vdc ±15%
Size	140 (L) x 37 (H) x 215 (D) mm
Weight	800 gr.

Receiver

System	Double conversion, CPU controlled super-eterodine
IF	1° 10.695 MHz / 2° 455 KHz
Sensitivity	0.5uV for 20dB SINAD (FM) 0.5uV for 20dB SINAD (AM)
Audio output	@10% THD 2.5W at 8 ohm
Audio distorsion	<8% at 1 KHz
Image rejection	65dB
Adjacent channel	65dB
Signal/noise ratio	45dB
Current drain	250mA (stand-by)

Transmitter

System	CPU controlled P.L.L. synthesizer
Maximum RF power	4W at 13.2Vdc
Modulation	85% to 90% (AM) 1.8 KHz ±0.2 KHz (FM)
Impedance	50 ohm unbalanced
Current drain	1100mA (at no modulation)

Indice	12
Introduzione / Contenuto della confezione	12
Descrizione dei comandi e funzionamento	13-18
Installazione e collegamenti elettrici	19
Tabella bande di frequenza - Avviso agli utenti	20
Selezione / programmazione della banda di frequenza	21
Tabella delle restrizioni all' uso dei ricetrasmittitori CB	21
Caratteristiche tecniche	22
Note	23
Tabella delle restrizioni all' uso dei ricetrasmittitori CB	I
Schema elettrico ESP Comander	II
Circuito stampato Main Board e CPU	III-IV
Schema elettrico	V-VI
Schema a blocchi	VII-VIII

IMPORTANTE !

Prima di utilizzare la ricetrasmittente, verificare che la stessa sia programmata per operare sulle bande di frequenza e nei modi previsti dalle norme di legge in vigore nel paese in cui la radio viene utilizzata. Diversamente procedere alla modifica della programmazione, come indicato in questo manuale di istruzioni. La radio è pre-programmata all' origine sulla banda di frequenza europea CE (CEPT 40CH FM 4W).

Congratulazioni !

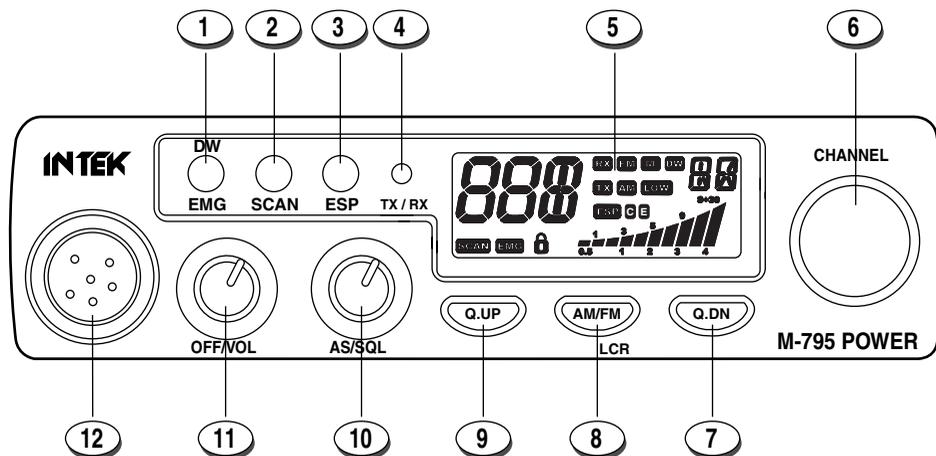
Congratulazioni per aver scelto ed acquistato un prodotto di qualità INTEK. Questo ricetrasmittitore dispone di numerose funzioni avanzate e vari dispositivi, pertanto è assolutamente necessario leggere attentamente questo manuale di istruzioni prima di utilizzare l' apparecchio. Con un uso corretto secondo quanto è indicato nel manuale di istruzioni, l' apparecchio garantirà un servizio senza problemi per molti anni. Ci impegnamo costantemente a fornire prodotti di qualità che rispondano alle vostre esigenze, ma siamo comunque sempre molto interessati a ricevere eventuali vostri commenti o suggerimenti su questo prodotto, che ci aiutino nel continuo miglioramento della qualità. INTEK M-795 POWER è un ricetrasmittitore con caratteristiche tecniche di hardware e software molto avanzate e dispone di un circuito di tipo Multi Standard programmabile che consente di configurare i vari parametri dell' apparecchio (bande di frequenza, modi operativi, potenza del trasmettitore) in modo conforme alle norme di legge in vigore nei vari paesi della Comunità Europea. Pertanto questa ricetrasmittente può essere utilizzata in un qualsiasi paese della Comunità Europea. L' apparecchio viene consegnato pre-programmato sulla banda CE (CEPT 40CH FM 4W).

Contenuto della confezione

Verificare che le seguenti parti siano contenute nella confezione :

- ricetrasmittitore
- cavetto di alimentazione DC con porta fusibile e fusibile
- microfono dinamico
- staffa di montaggio per veicolo
- accessori per montaggio staffa (viti, pomelli, ecc.)
- staffa di supporto per microfono
- manuale di istruzioni

Pannello frontale



Italiano

1. Tasto DW / EMG

Questo tasto permette l'inserimento delle funzioni DW (Dual Watch) e EMG (Emergency Channels).

FUNZIONE DW (Dual Watch)

La funzione DW (Dual Watch) permette il monitoraggio automatico alternato di 2 canali programmabili. Per attivare questa funzione, eseguire la seguente procedura. Selezionare il primo canale da monitorare tramite il selettore dei canali (6) o tramite i tasti di selezione dei canali sul microfono (18, 20). Premere quindi il tasto DW (1) per circa 1,5 secondi e l'indicazione DW lampeggerà sul display LCD. Selezionare il secondo canale da monitorare, con la stessa procedura. Infine premere ancora il tasto DW (1) per circa 1,5 secondi e sul display LCD verranno indicati alternatamente i due canali impostati. La radio inizia il controllo (scansione) automatico alternato di questi due canali. Quando su uno di questi due canali viene rilevato un segnale, la scansione si arresta ed è possibile ascoltare la comunicazione in corso su quel canale. E' possibile trasmettere sul canale premendo il tasto di trasmissione PTT (17). Se non viene premuto il tasto di trasmissione entro 5 secondi, la radio riprenderà automaticamente il controllo (scansione) dei due canali. Quando la funzione DW è attiva, l'icona DW (F) appare sul display LCD. Per uscire dalla funzione DW, premere brevemente il tasto DW (1) oppure il tasto PTT (17).

EMG (Emergency Channels)

Premere brevemente questo tasto per selezionare i canali di emergenza pre-programmati a seconda della banda di frequenza selezionata (vedi tabella seguente). Ad ogni breve pressione del tasto, la radio seleziona il canale 19, quindi il canale 9, quindi il normale canale in uso. Quando uno dei canali di emergenza (CH9, CH19) è selezionato, sul display LCD appare l'icona EMG (N).

CODICE BANDA DI FREQUENZA	I0	I2	DE	D2	EU	CE	SP	FR	UK	PL
CH-9	AM	AM	AM	AM	AM	FM	AM	AM	FM	AM
CH-19	AM	AM	AM	AM	AM	FM	AM	AM	FM	AM

2. Tasto SCAN

Premendo il tasto SCAN (2), viene attivata la funzione SCAN (scansione), ovvero la ricerca automatica dei canali occupati. Per abilitare questa funzione, ruotare prima la manopola SQUELCH (10) in senso orario fino a quando sparisce il rumore di fondo. Se durante la scansione viene rilevato un segnale, la scansione si arresta ed è possibile ascoltare la comunicazione in corso su quel canale. E' possibile trasmettere sul canale premendo il tasto di trasmissione PTT (17). Se non viene premuto il tasto di trasmissione entro 5 secondi, la radio riprenderà automaticamente il controllo (scansione) dei due canali. Quando la funzione SCAN è attivata, l' icona SCAN (P) appare sul display LCD. Per uscire dalla funzione SCAN, premere brevemente il tasto SCAN (2) oppure il tasto PTT (17).

3. Tasto ESP (Electronic Speech Processor)

L' ESP (Electronic Speech Processor) di 2° generazione è un dispositivo esclusivo di alcuni ricetrasmittitori CB mobili INTEK. ESP significa Electronic Speech Processor, cioè processore elettronico di modulazione. Questo processore audio, controllato da microprocessore e denominato anche COMPANDER (Compressor-Expander), lavora come compressore di modulazione in trasmissione e come espansore di modulazione in ricezione. L' ESP consente di ottenere un segnale audio più forte, chiaro e pulito ed è un notevole aiuto in zone rumorose, in caso di comunicazioni a lungo raggio e con segnali deboli. L' efficienza dell' ESP è maggiore se si comunica con altre radio dotate dello stesso sistema. Questo dispositivo di seconda generazione consente di attivare o disattivare separatamente solo il compressore, solo l' espansore o entrambi i modi compressore-espansore.

Per attivare o disattivare le funzioni ESP, premere il tasto ESP (3) in sequenza :

- 1) Premendo una volta il tasto, l' indicazione **ESP C** (L) appare sul display per indicare che è inserito solo il circuito compressione della modulazione.
- 2) Premendo due volte il tasto, l' indicazione **ESP E** (L) appare sul display per indicare che è inserito solo il circuito espansore della modulazione.
- 3) Premendo tre volte il tasto, l' indicazione **ESP C E** (L) appare sul display per indicare che è inserito il circuito Compressore-Espansore della modulazione.
- 4) Premere ancora una volta il tasto per disinserire tutti i dispositivi.

Azione del dispositivo ESP
sulla modulazione
in ricezione e trasmissione



Modulazione senza ESP



Modulazione con ESP

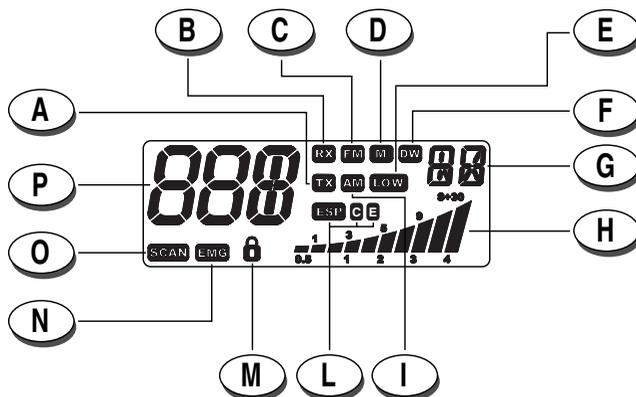
4. Indicatore TX/RX

Questo indicatore LED luminoso bi-colore rosso-verde (4) è acceso in colore verde quando il ricetrasmittitore è in modalità ricezione e in colore rosso quando il ricetrasmittitore è in modalità trasmissione.

5. Display LCD

Display LCD di grande dimensione e di tipo retroilluminato in colore arancione, per la massima leggibilità. Il display indica tutte le funzioni e i dispositivi attivati e numerose informazioni supplementari impostabili dall' utente. Comprende inoltre uno strumento indicatore tipo S/Rf Meter digitale a 10 barre.

Display LCD



A. Indicazione TX

L'indicazione TX è accesa quando il ricetrasmittitore è in modalità trasmissione.

B. Indicazione RX

L'indicazione RX è accesa quando il ricetrasmittitore è in modalità ricezione.

C. Indicazione FM

L'indicazione FM è accesa quando il ricetrasmittitore riceve e trasmette in modo FM (modulazione di frequenza).

D. Indicazione M

Non attiva.

E. Indicazione LOW

L'indicazione LOW è accesa quando il ricetrasmittitore trasmette in bassa potenza (1W RF).

F. Indicazione DW

L'indicazione DW è accesa quando è attiva la funzione DUAL WATCH, ovvero il monitoraggio automatico di 2 canali.

G. Indicazione banda di frequenza

Questa indicazione permette la lettura del codice di identificazione della banda di frequenza programmata (es. DE, UK, CE, ecc.).

H. Strumento a barre S/RF Meter

Lo strumento digitale a 10 barre S/RF Meter indica l'intensità del segnale ricevuto da S0 a S9+30 in ricezione e la potenza RF di uscita da 0 a 4W in trasmissione.

I. Indicazione AM

L'indicazione AM è accesa quando il ricetrasmittitore riceve e trasmette in modo AM (modulazione di ampiezza).

L. Indicazione ESP C E

L'indicazione ESP C E è accesa quando è attivata la funzione ESP (Electronic Speech Processor), ovvero il processore elettronico di modulazione RX e TX.

M. Indicazione LOCK

L'indicazione LOCK (lucchetto) è accesa quando è stata attivata la funzione LOCK, ovvero il blocco dei comandi.

N. Indicazione EMG

L'indicazione EMG (Emergency Channel) è accesa quando è stato selezionato uno dei canali speciali di emergenza pre-programmati secondo la banda di frequenza selezionata.

O. Indicazione SCAN

L'indicazione SCAN (scansione) è accesa quando è attiva la funzione di scansione SCAN, ovvero la ricerca automatica dei canali occupati.

P. Indicazione alfanumerica

Questi tre caratteri alfanumerici indicano il numero del canale selezionato da 01 a 80, secondo la banda di frequenza programmata).

6. Manopola CHANNEL (selettore dei canali)

Questa manopola permette la selezione dei canali a scatti di 1 canale per volta, in ordine crescente (manopola ruotata in senso orario) o decrescente (manopola ruotata in senso antiorario).

7. Tasto Q.DN (Quick Down)

Questo tasto permette la selezione rapida dei canali in ordine decrescente. Ad ogni pressione del tasto il numero del canale viene diminuito di 10 canali per volta.

8. Tasto AM/FM - LCR

SELETTORE AM/FM

Premendo brevemente questo tasto, verrà selezionato il modo operativo AM o FM, in TX e RX, se il modo scelto è abilitato dalla banda di frequenza programmata.

LCR

Premendo questo tasto per circa 1,5 secondi, il ricetrasmittitore selezionerà automaticamente l'ultimo canale utilizzato.

SELETTORE UK / CE

Se è stata programmata la banda di frequenza UK (Gran Bretagna), premendo brevemente questo tasto sarà possibile la selezione tra i canali (frequenze) CE e i canali (frequenze) UK.

9. Tasto Q.UP (Quick UP)

Questo tasto permette la selezione rapida dei canali in ordine crescente. Ad ogni pressione del tasto il numero del canale viene aumentato di 10 canali per volta.

10. Manopola AS/SQ

COMANDO SQUELCH (regolazione manuale SQUELCH)

Il comando SQUELCH permette di silenziare il ricevitore, eliminando il rumore (fruscio) di fondo in assenza di segnali. Ruotare la manopola in senso orario sino a quando scompare il rumore di fondo. Ruotare la manopola in senso antiorario (apertura dello SQUELCH) per ascoltare i segnali più deboli.

COMANDO AS (regolazione fissa SQUELCH)

E' disponibile la funzione AS per silenziare il ricevitore in modo automatico, senza eseguire la regolazione manuale dello SQUELCH. Una regolazione fissa dello SQUELCH è pre-impostata in origine. Per impostare la funzione AS, ruotare la manopola completamente in senso antiorario fino a farla scattare in posizione AS.

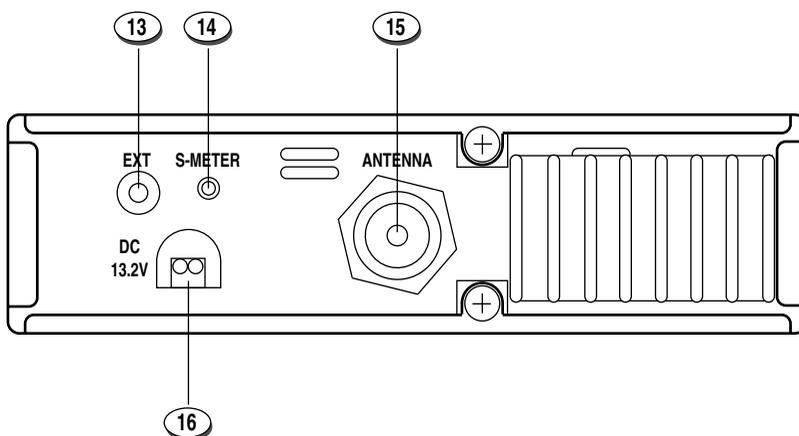
11. Manopola OFF/VOL (OFF / Volume)

Manopola di accensione e spegnimento della radio. Permette la regolazione del volume di ascolto. In assenza di segnali sul canale in uso, si consiglia di aprire lo SQUELCH e quindi di regolare il volume al livello desiderato utilizzando come riferimento il rumore (fruscio) di fondo.

12. Presa per microfono

Collegare il microfono dinamico in dotazione a questa presa, bloccandolo tramite l' apposita ghiera.

Pannello posteriore



13. Presa EXT (External Speaker)

Preso per il collegamento di un altoparlante esterno (opzionale).

14. Presa S-METER

Questa presa consente il collegamento di uno strumento di tipo S-METER esterno (opzionale).

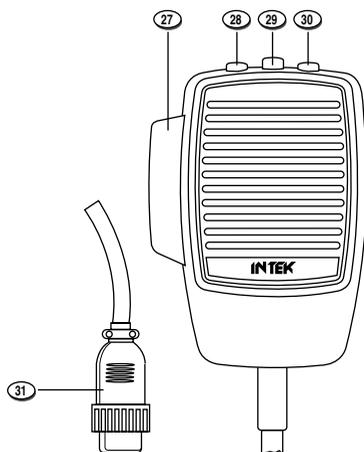
15. Connettore di antenna (SO-239)

Preso per il collegamento dell' antenna. Vedi capitolo installazione e collegamenti elettrici.

16. Entrata POWER 13.2VDC

Entrata del cavetto di alimentazione DC in dotazione.

Microfono



17. Tasto PTT (Push-to-Talk)

Tasto di trasmissione. Premere per trasmettere e mantenere premuto durante la trasmissione e rilasciare per ritornare in modalità ricezione.

18. Tasto UP (selettore dei canali)

Tasto per la selezione dei canali in ordine crescente. Ad ogni pressione del tasto, il numero del canale viene incrementato di un canale per volta.

19. Tasto LOCK (blocco della tastiera)

Premendo questo tasto, viene attivata la funzione LOCK (blocco della tastiera), al fine di prevenire l'inserimento da tastiera di comandi accidentali e non voluti. Quando la funzione LOCK è attivata l'icona LOCK (L) appare sul display.

20. Tasto DOWN (selettore dei canali)

Tasto per la selezione dei canali in ordine decrescente. Ad ogni pressione del tasto, il numero del canale viene diminuito di un canale per volta.

21. Connettore microfono

Connettore del microfono a 6 poli con ghiera di fissaggio, da collegarsi alla apposita presa (12) sul pannello frontale.

IMPORTANTE !

Non tentare mai di aprire il contenitore del ricetrasmittitore. All'interno dell'apparecchio non vi sono parti utili o utilizzabili dall'utente. Interventi o manomissioni del circuito interno della radio possono causare danni alla stessa o modificarne le caratteristiche tecniche ed inoltre violano e invalidano il diritto alla garanzia. In caso di interventi tecnici, rivolgersi esclusivamente al tecnico o ad un centro di assistenza autorizzato.

Installazione del ricetrasmittitore

E' necessario verificare e localizzare sul veicolo la posizione più opportuna ove installare l' apparato, in modo che sia pratico e confortevole l' utilizzo dello stesso e che l' ubicazione del ricetrasmittitore non sia in nessun modo di ostacolo alla guida del veicolo. Per il montaggio del ricetrasmittitore, utilizzare la staffa e le viti in dotazione. Le viti di fissaggio della staffa devono essere ben serrate in modo che le vibrazioni del veicolo non possano allentarle. La staffa può essere montata sia sopra sia sotto l' apparecchio a seconda del tipo di installazione richiesto. Il ricetrasmittitore può anche essere inclinato e poi bloccato nella posizione desiderata tramite i 2 pomelli di fissaggio in dotazione.

Collegamento elettrico del ricetrasmittitore

Prima di collegare l' apparecchio al circuito elettrico del veicolo, assicurarsi che il ricetrasmittitore sia spento, ovvero che la manopola OFF/VOL (11) sia girata completamente in senso antiorario in posizione OFF. Il cavetto di alimentazione (16) del ricetrasmittitore è completo di porta-fusibile con fusibile di protezione posto sul cavo rosso del positivo (+). Collegare il cavetto di alimentazione al circuito elettrico del veicolo, facendo molta attenzione nel rispettare la corretta polarità, anche se l' apparecchio è protetto contro le inversioni di polarità. Collegare il cavetto rosso al polo positivo (+) e il cavetto nero al polo negativo (-) del circuito elettrico del veicolo. Assicurarsi che il collegamento dei cavetti sia ben eseguito e che i terminali siano ben fissati, per evitare che essi si possano staccare o causare corto circuiti.

Installazione e collegamento dell' antenna

Deve essere utilizzata un' antenna veicolare tarata sulle frequenze CB 27 MHz. L' installazione dell' antenna deve essere eseguita da un tecnico specializzato. La massima attenzione deve essere prestata nel montaggio dell' antenna sul veicolo e nel collegamento della stessa alla massa del veicolo. Prima del collegamento al ricetrasmittitore, è indispensabile che sia verificato il corretto funzionamento dell' antenna con basso livello di onde stazionarie (R.O.S.), tramite apposita strumentazione. In caso contrario, il circuito trasmittente dell' apparecchio potrebbe venire danneggiato. L' antenna deve essere normalmente montata sulla parte più alta del veicolo, libera da ostacoli e il più possibile distante da fonti di disturbo elettrico o elettromagnetico. Il cavetto coassiale RF dell' antenna non deve essere danneggiato o schiacciato nel percorso dall' antenna al ricetrasmittitore. La corretta funzionalità dell' antenna ed il basso rapporto di onde stazionarie (R.O.S.) devono essere controllati periodicamente. Collegare il cavo RF dell' antenna all' apposita presa di antenna (15), posta sul pannello posteriore della radio.

Controllo del funzionamento del ricetrasmittitore

Una volta eseguiti i collegamenti elettrici del cavo di alimentazione e dell' antenna, si può controllare il corretto funzionamento del sistema. Procedere come segue :

- 1) Controllare che sia correttamente collegato il cavetto di alimentazione.
- 2) Controllare che sia correttamente collegato il cavetto coassiale RF dell' antenna.
- 3) Collegare il microfono all' apposita presa (12), posta sul pannello frontale della radio.
- 4) Ruotare il comando AS/SQL (10) in senso antiorario a inizio corsa.
- 5) Accendere l' apparecchio tramite la manopola OFF/VOL (11) e regolare il volume di ascolto al livello desiderato.
- 6) Selezionare il canale desiderato, tramite il selettore dei canali (6) o tramite i tasti di selezione dei canali sul microfono (18 e 20).
- 7) Ruotare il comando AS/SQL (10) in senso orario, per eliminare il rumore di fondo.
- 8) Premere il tasto PTT (17) per trasmettere e quindi rilasciarlo per ricevere.
- 9) Verificare il livello del segnale ricevuto e del segnale trasmesso sull' apposito strumento digitale a barre S/RF Meter (H) sul display LCD (5).

Il ricetrasmittitore dovrà funzionare correttamente.

Tabella bande di frequenza - Avviso agli utenti

Tabella bande di frequenza

Il ricetrasmittitore INTEK M-795 POWER dispone di un avanzato circuito multi-standard programmabile, che consente di programmare la banda di frequenza, i parametri e i modi operativi in conformità con le norme del paese in cui viene utilizzato l'apparecchio. Sono disponibili n. 10 bande programmabili, come dalla seguente tabella :

CODICE BANDA DI FREQUENZA	PAESE	SPECIFICHE (Canali, modi operativi, potenza TX)
I0	ITALIA	40CH AM / FM 4W
I2	ITALIA	36CH AM / FM 4W
DE	GERMANIA	80CH FM 4W - 12CH AM 1W
D2	GERMANIA	40CH FM 4W - 12CH AM 1W
EU	EUROPA	40CH FM 4W - 40CH AM 1W
CE	CEPT	40CH FM 4W
SP	SPAGNA	40CH AM / FM 4W
FR	FRANCIA	40CH FM 4W - 40CH AM 1W
UK	INGHILTERRA	40CH FM 4W FREQUENZE UK 40CH FM 4W FREQUENZE CEPT
PL	POLONIA	40CH AM / FM 4W FREQUENZE POLACCHE

Attenzione ! Il ricetrasmittitore è stato pre-programmato all'origine sulla banda di frequenza con codice paese **CE (CEPT 40CH FM 4W)**, in quanto questo standard è attualmente riconosciuto in tutti i paesi europei. Vedere la tabella delle informazioni alla pag. I (Restrizioni all'uso dei ricetrasmittitori CB).

Avviso agli utenti

Ai sensi dell'art. 13 del decreto legislativo 25 luglio 2005, n. 15"Attuazione delle Direttive 2002/95/CE, 2002/96/CE e 2003/108/CE, relative alla riduzione dell'uso di sostanze pericolose nelle apparecchiature elettriche ed elettroniche, nonché allo smaltimento dei rifiuti".



Il simbolo del cassonetto barrato riportato sull'apparecchiatura indica che il prodotto alla fine della propria vita utile deve essere raccolto separatamente dagli altri rifiuti.

L'utente dovrà, pertanto, conferire l'apparecchiatura giunta a fine vita agli idonei centri di raccolta differenziata dei rifiuti elettronici ed elettrotecnici, oppure riconsegnarla al rivenditore al momento dell'acquisto di una nuova apparecchiatura di tipo equivalente, in ragione di uno a uno.

L'adeguata raccolta differenziata per l'avvio successivo dell'apparecchiatura dismessa al riciclaggio, al trattamento e allo smaltimento ambientalmente compatibile contribuisce ad evitare possibili effetti negativi sull'ambiente e sulla salute e favorisce il riciclo dei materiali di cui è composta l'apparecchiatura.

Lo smaltimento abusivo del prodotto da parte dell'utente comporta l'applicazione delle sanzioni amministrative di cui al dlgs. n. 22/1997" (articolo 50 e seguenti del dlgs. n. 22/1997).

Selezione / programmazione della banda di frequenza

Il ricetrasmittitore deve essere programmato e utilizzato esclusivamente su una banda di frequenza ammessa nel paese in cui viene utilizzato l' apparecchio. E' possibile programmare una diversa banda di frequenza, eseguendo la seguente procedura :

- 1) Spegnerne il ricetrasmittitore.
- 2) Premere e mantenere premuto il tasto EMG (1), quindi accendere il ricetrasmittitore, ruotando la manopola OFF/VOL (11).
- 3) Il codice di paese impostato di due caratteri (G) lampeggia sul display.
- 4) Selezionare ora il nuovo codice di paese desiderato, ruotando la manopola di selezione dei canali (6).
- 5) Premere brevemente il tasto EMG (1) per confermare.

Tabella delle restrizioni all' uso dei ricetrasmittitori CB (pag. I)

Le seguenti informazioni sono date a solo titolo indicativo. Si ritiene che le stesse siano corrette al momento della stampa del presente manuale di istruzioni. E' tuttavia responsabilità dell' utilizzatore del ricetrasmittitore il verificare che, nel paese in cui viene utilizzato l' apparecchio, non siano state introdotte variazioni alle norme di legge che abbiano modificato le suddette restrizioni. Si consiglia quindi l' utilizzatore di consultare il proprio rivenditore di fiducia o l' autorità locale al fine di verificare con esattezza le norme di legge in vigore e le restrizioni all' uso per i ricetrasmittitori CB, prima di utilizzare il prodotto. Il produttore non assume alcuna responsabilità per l' uso del prodotto in modo non conforme a quanto è stabilito dalle norme di legge, vigenti nel paese in cui il prodotto è utilizzato.

Addendum (Aggiornamento sulle restrizioni nazionali)

BELGIO, GRAN BRETAGNA, SPAGNA, SVIZZERA

Per poter utilizzare questo ricetrasmittitore in Belgio, Gran Bretagna, Spagna e Svizzera, i residenti necessitano di una licenza individuale. Coloro che invece provengono dall' estero possono utilizzare liberamente l' apparecchio in modo FM, mentre per utilizzarlo in modo AM devono essere in possesso di una licenza rilasciata dal paese di origine.

ITALIA

Per gli stranieri che arrivano in Italia, è necessaria una autorizzazione italiana.

AUSTRIA

L' Austria non autorizza l' uso di ricetrasmittitori CB di tipo multi-standard (programmabili). Si consiglia di rispettare scrupolosamente questa direttiva e di non utilizzare l' apparecchio nel territorio austriaco.

GERMANIA

Lungo i confini di alcune zone della Germania, l' utilizzo del ricetrasmittitore come stazione base dal canale 41 al canale 80 non è ammesso. Rivolgersi all' autorità locale (ufficio notifiche) per ulteriori dettagli.

Caratteristiche tecniche

Generali

Canali	Vedere tabella bande di frequenza a pag. 20)
Gamma di frequenza	27 MHz Banda Cittadina
Controllo di frequenza	P.L.L.
Temperatura di lavoro	-10°/+55°C
Tensione di alimentazione	13.2Vdc ±15%
Dimensioni	140 (L) x 37 (A) x 215 (P) mm
Peso	800 gr.

Ricevitore

Sistema	Super-eterodina a doppia conversione, controllato da CPU
IF	1° 10.695 MHz / 2° 455 KHz
Sensibilità	0.5µV per 20dB SINAD (FM) 0.5µV per 20dB SINAD (AM)
Uscita audio	@10% THD 2.5W a 8 ohm
Distorsione audio	<8% a 1 KHz
Reiezione alle immagini	65dB
Canale adiacente	65dB
Rapporto segnale/rumore	45dB
Consumo	250mA (stand-by)

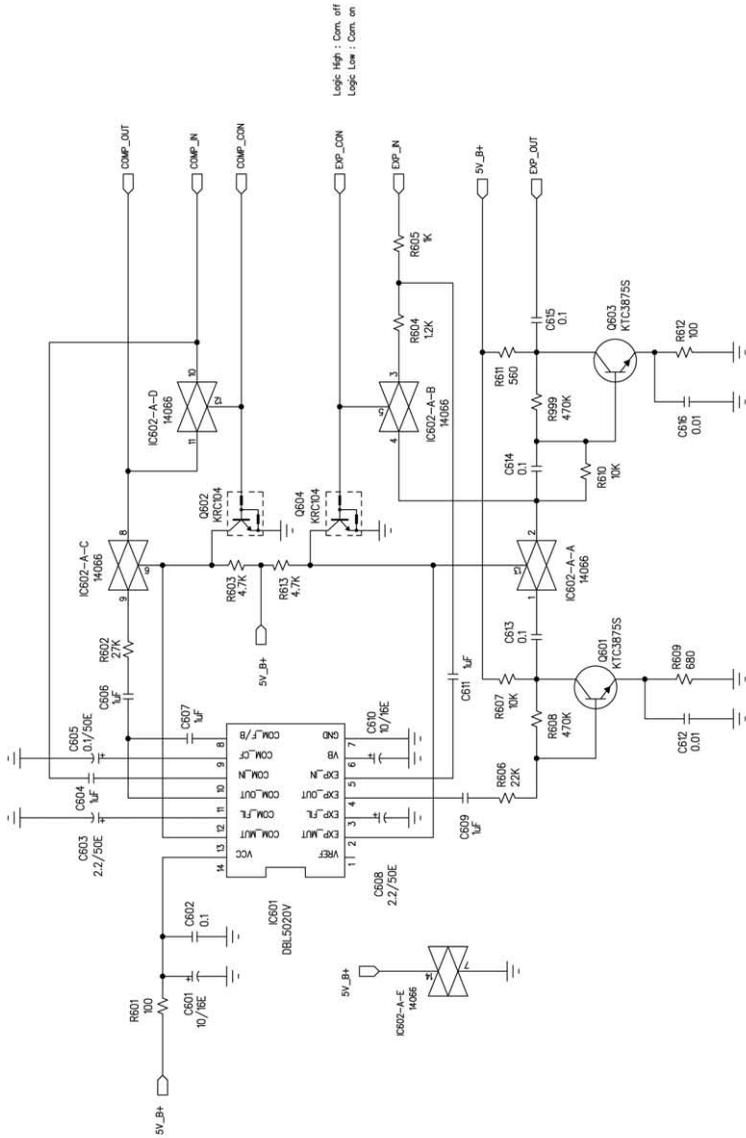
Trasmittitore

Sistema	Sintetizzatore P.L.L. controllato da CPU
Potenza RF massima	4W a 13.2Vdc
Modulazione	da 85% a 90% (AM) 1.8 KHz ±0.2 KHz (FM)
Impedenza	50 ohm sbilanciati
Consumo	1100mA (senza modulazione)

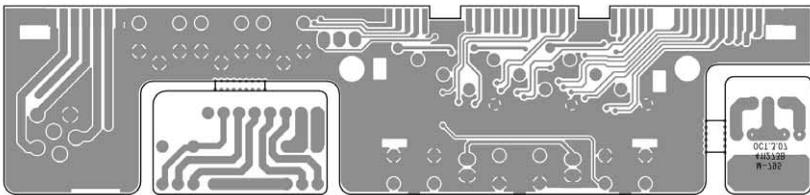
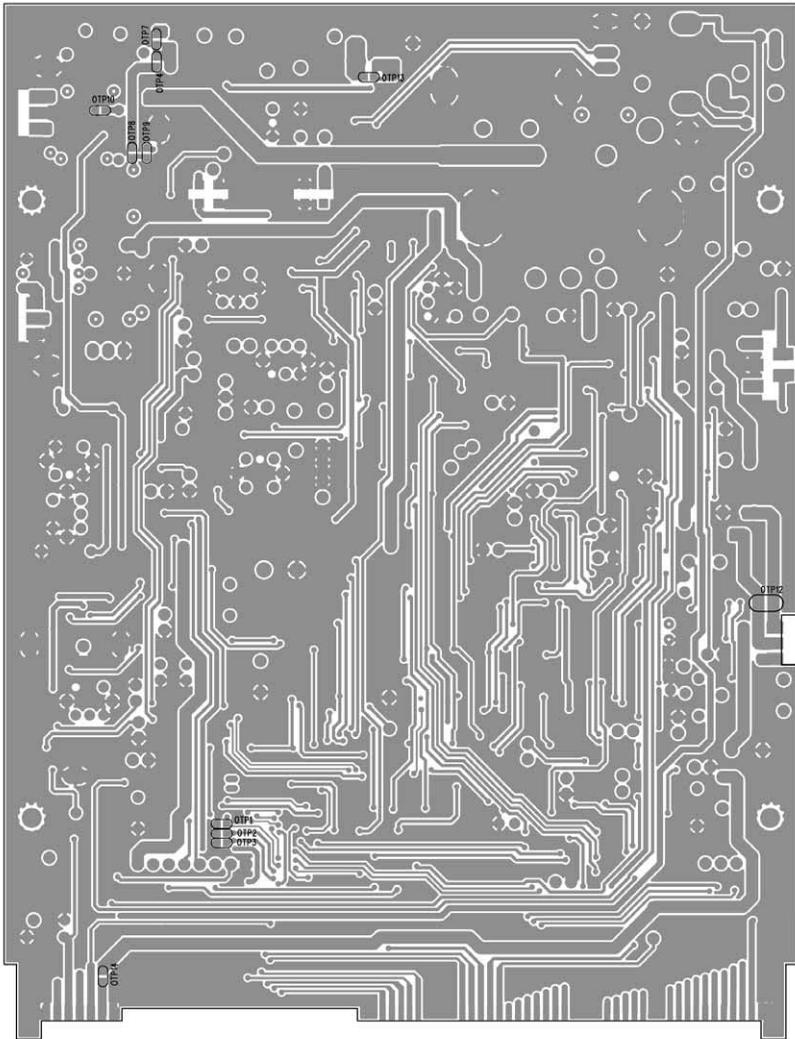
Table of restrictions on the use of CB transceivers

COUNTRY	CB Introd.	Use restrictions and other comments	Settings			
AUSTRIA	NO	Not allowed				
BELGIUM	YES	40 CH - 4W FM - Individual license is required	EU	FR		CE
		40 CH - 1W AM - Individual license is required				
DENMARK	YES	40 CH - 4W FM - Free use				CE
FINLAND	YES	40 CH - 4W FM - Free use	EU	FR		CE
		e 1W AM - Free use				
FRANCE	YES	40 CH - 4W FM - Free use	EU	FR		CE
		40 CH - 1W AM - Free use				
GERMANY	YES	80 CH - 4W FM - Free use (restrictions for use as a base station on channels 41-80 in some border areas)	DE			
		12 CH - 1W AM - Free use				
		40 CH - 1W AM Free use (only CH 4-15 allowed)	EU			
		40 CH - 4W FM - Free use	D2			CE
		12 CH - 1W AM - Free use REGTP Vfg41 issued on September 10, 2003				
GREECE	YES	40 CH - 4W FM - Free use	EU	FR		CE
		40 CH - 4W AM - Free use				
		T/R 20-02				
IRELAND	YES	40 CH - 4W FM - Free use	SP	EU	FR	10
		40 CH - 4W AM - Free use				
		S.I. No 436 of 1998. WIRELESS TELEGRAPHY ACT, 1926 (SECTION3) (EXEMPTION OF CITIZENS' BAND (CB) RADIOS) ORDER, 1998				
ITALY	YES	40 CH - 4W FM - A Declaration to the Italian Ministry is required (art. 145 - dl 259 of 01/08/2003)	SP	EU	FR	10
		40 CH 1W AM - A Declaration to the Italian Ministry is required (art. 145 - dl 259 of 01/08/2003)				
		34 CH - 4W FM, 1W AM (erp). Nota: AM mode allowed on CH1-CH23 only. General authorisation is required (art. 104 - dl259 of 01/08/2003)				12
		P.N.F. issued on DM 08.07.02 Notes: 49 A/B/C/D/E/G				
LUXEMBOURG	YES	40 CH - 4W FM - Free use. (Following frequencies are not allowed : 29.995, 27.045, 27.095, 27.145, 27.195 MHz)				CE
NORWAY	YES	40 CH - 4W FM - Free use				CE
NETHERLANDS	YES	40 CH - 4W FM - Free use	EU	FR		CE
		40 CH - 1W AM - Free use				
PORTUGAL	YES	40 CH - 4W FM - Individual license is required	EU	FR		CE
		40 CH - 1W AM - Individual license is required				
UNITED KINGDOM	YES	40 CH - 4W FM - Individual license is required	UK			CE
		UK-RA-MPT 1382/MPT1320; UK-R&TTE -S.I.L. 2000:730				
SPAIN	YES	40 CH - 4W FM - Individual licence is required	SP	EU	FR	CE
		40 CH - 4W AM - Individual licence is required				
		Ministerial decree of 18th November 2002 issued by "Secretaría de Estado de Telecomunicaciones y para la Sociedad de la Información"				
SWEDEN	YES	40 CH - 4W FM - Free use	EU	FR		CE
		40 CH - 1W AM - Individual licence is required				
SWITZERLAND	YES	40 CH - 4W FM - Individual licence is required	EU	FR		CE
		40 CH - 1W AM - Individual licence is required				

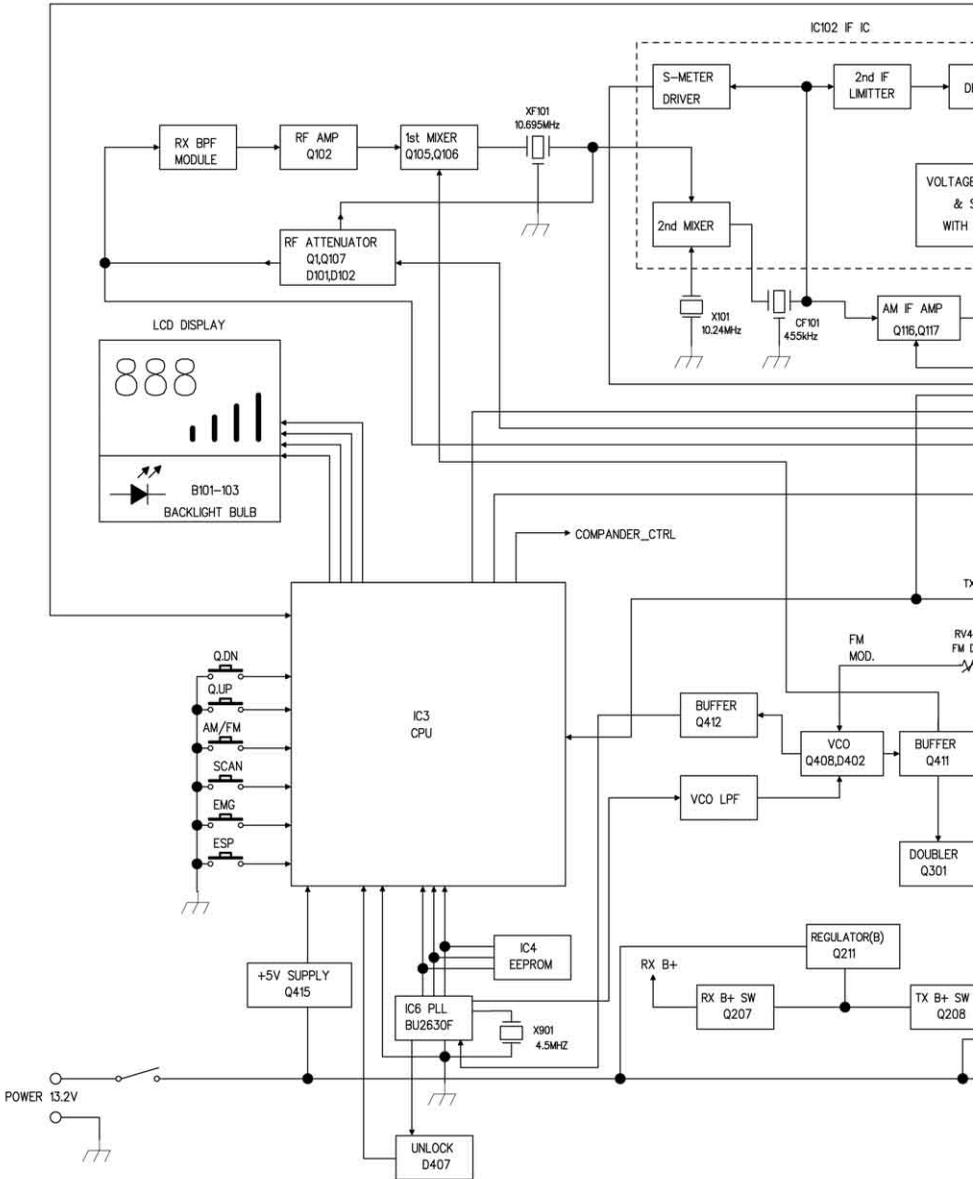
ESP Comander Diagram



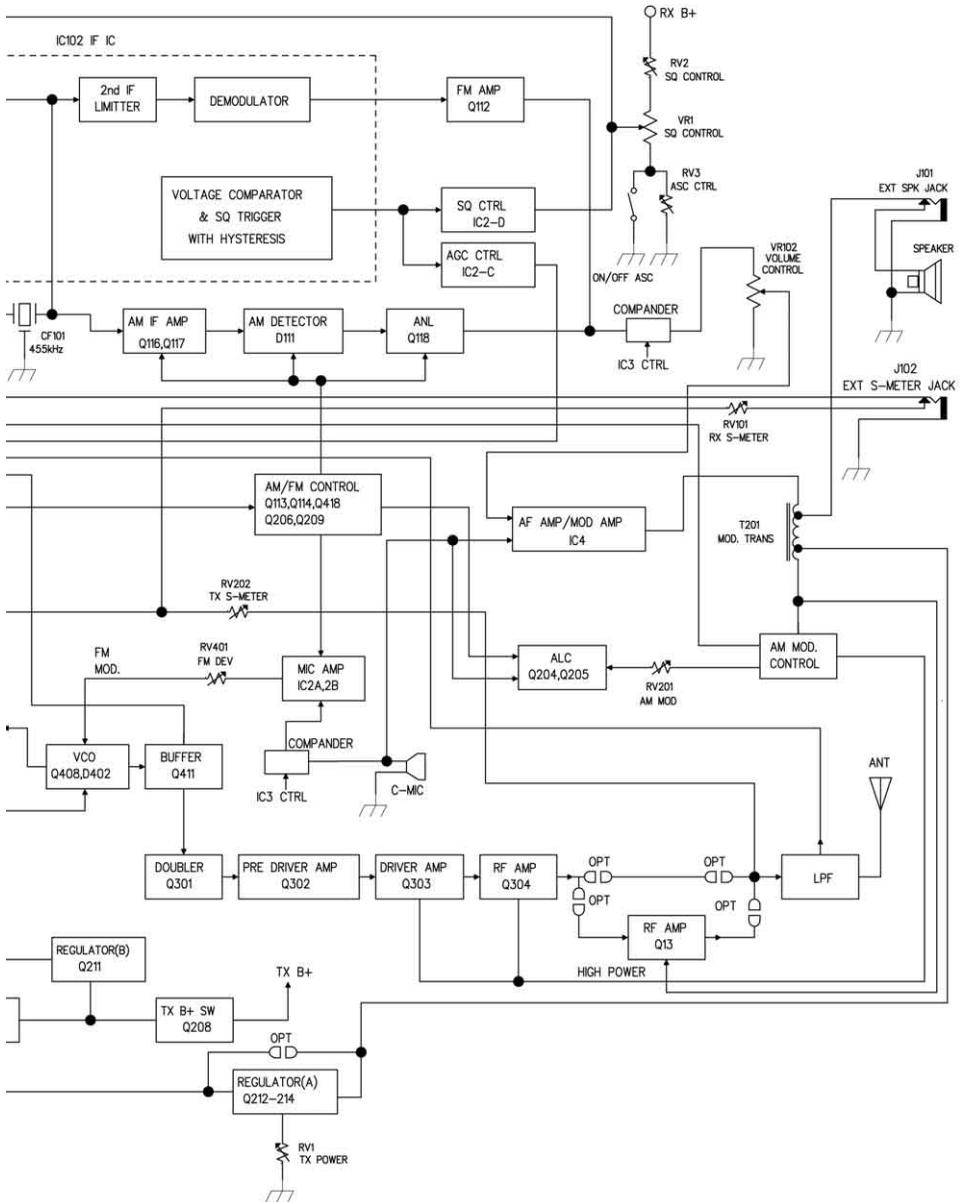
PCB - Main Board & CPU Board



Block Diagram



Block Diagram



INTEK[®]