



IØJXX di Donzello Rosanna

Via della Fattoria di Torrenova 36 - 00133 Roma - Italy

& Fax +39 (0) 6 - 27858223 & +39 3282899664

VAT number: IT09527381009

www.iøjxx.com - info@iøjxx.com

 Skype: [iøjxx.com](https://www.skype.com/add?contact=iøjxx.com)

52JXX23 Yagi

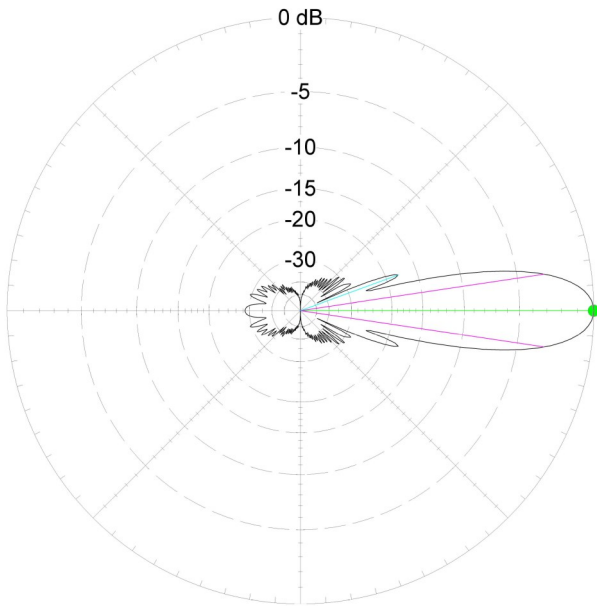
| Item | | Q.ty | Item | | Q.ty |
|---------------------------|---|------|----------------------------|---|------|
| Stainless steel nut M6 |  | 4 | Stainless steel bolt M5x20 |  | 27 |
| Lock washer 6 mm Ø |  | 4 | U_Bolt M6 with clamp | | 4 |
| Flat washer 6 mm Ø |  | 4 | Aluminum Spacer 12 x 70 mm | | 12 |
| Nut M5 | | 3 | Aluminum Spacer 1 — 2 | | 1 |
| Section boom A | | 1 | Aluminum Spacer 2 — 3 | | 1 |
| Section boom A - B | | 1 | Aluminum Spacer | | 1 |
| Section boom B | | 1 | | | 1 |

Total Field

EZNEC+

Total Field

EZNEC+



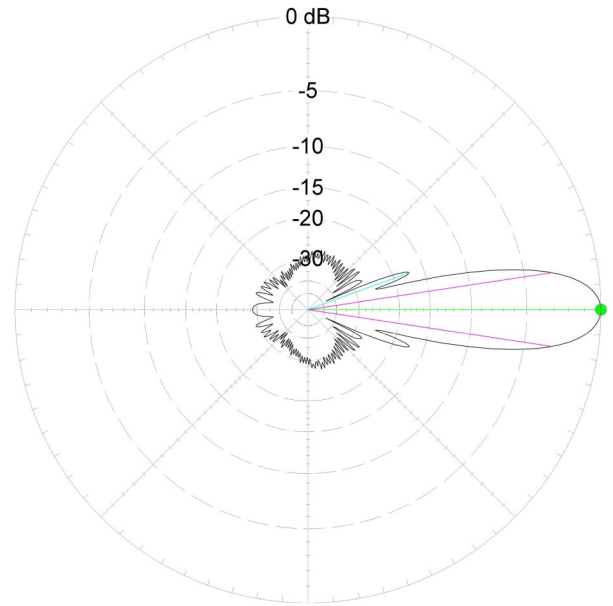
Dipole in free space

1296 MHz

Azimuth Plot
Elevation Angle 0,0 deg.
Outer Ring 21,41 dBi

Cursor Az 0,0 deg.
Gain 21,41 dBi
0,0 dBmax

Slice Max Gain 21,41 dBi @ Az Angle = 0,0 deg.
Front/Back 28,65 dB
Beamwidth 17,0 deg.; -3dB @ 351,5, 8,5 deg.
Sidelobe Gain 3,62 dBi @ Az Angle = 20,0 deg.
Front/Sidelobe 17,79 dB



Dipole in free space

1296 MHz

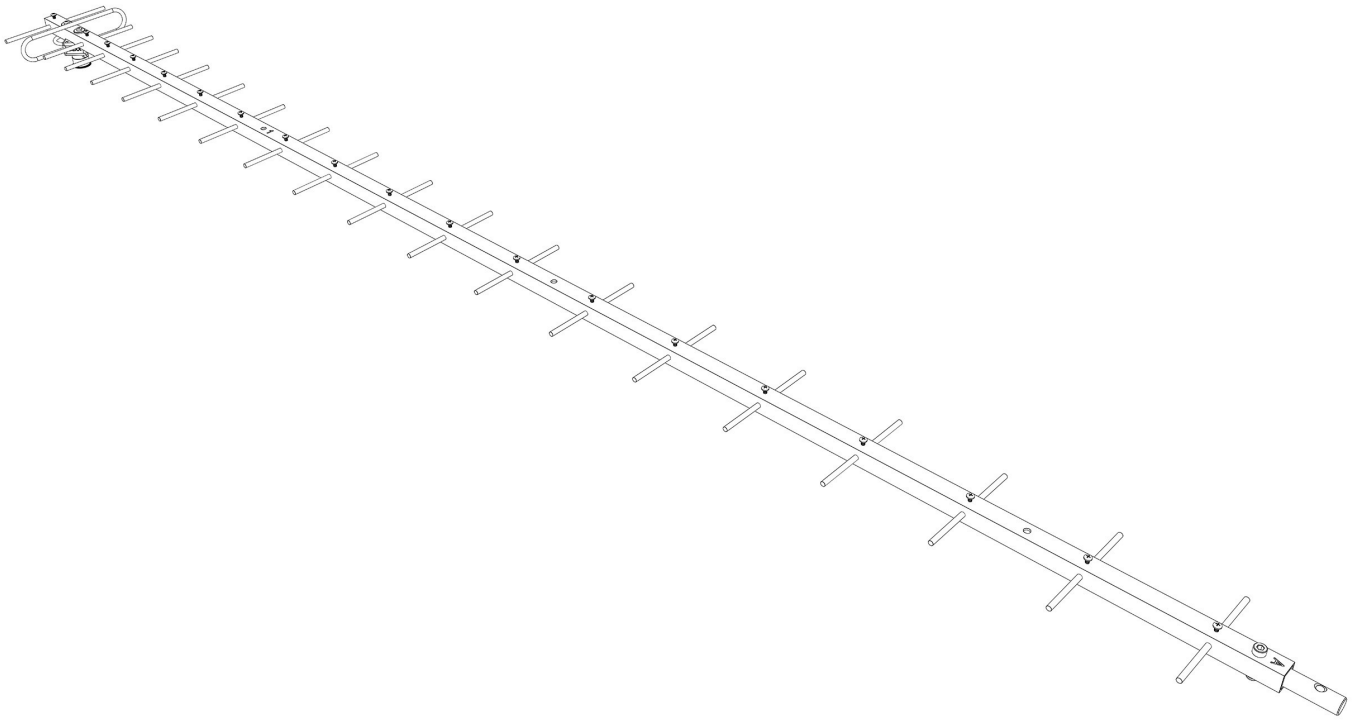
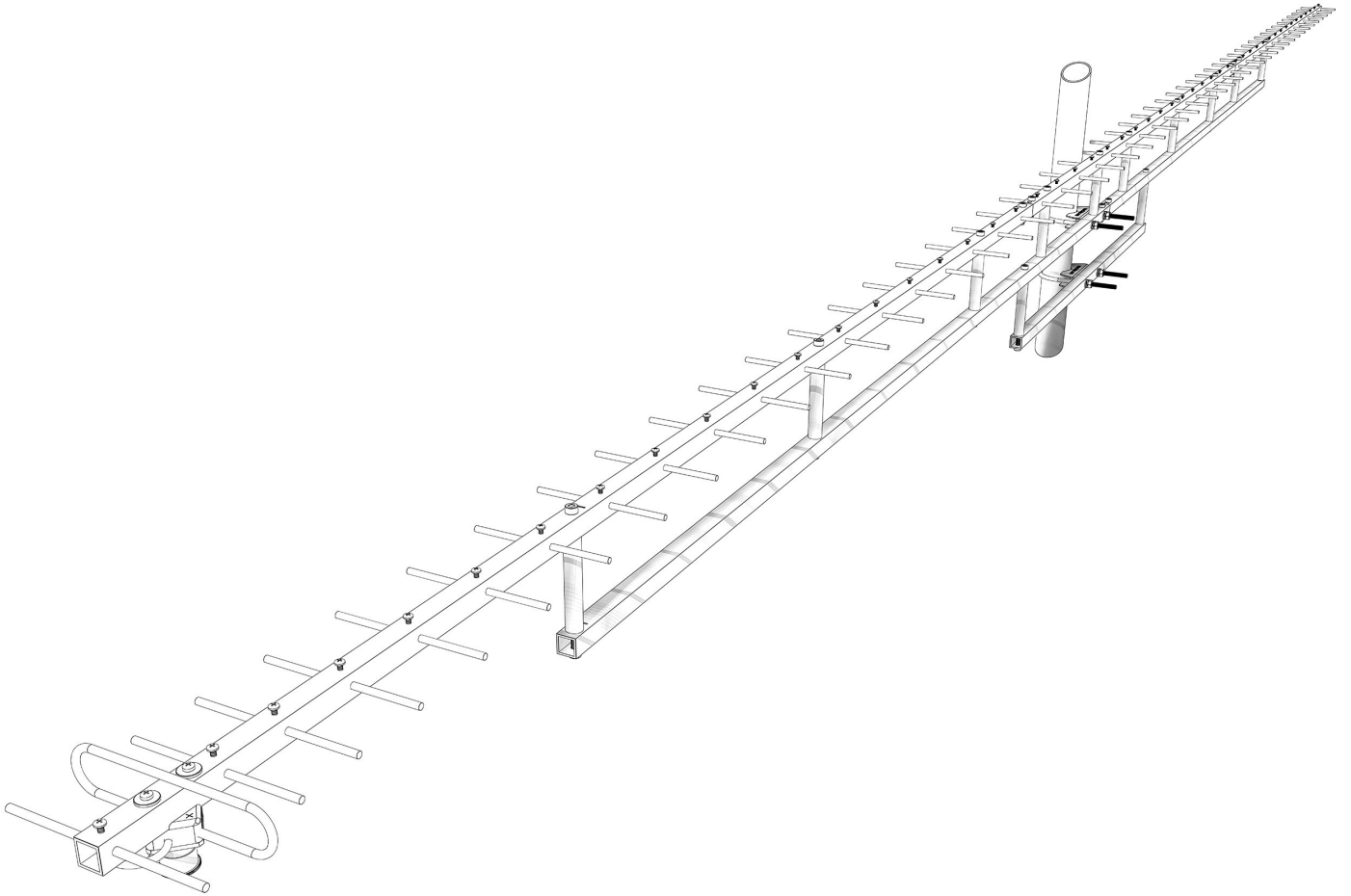
Elevation Plot
Azimuth Angle 0,0 deg.
Outer Ring 21,41 dBi

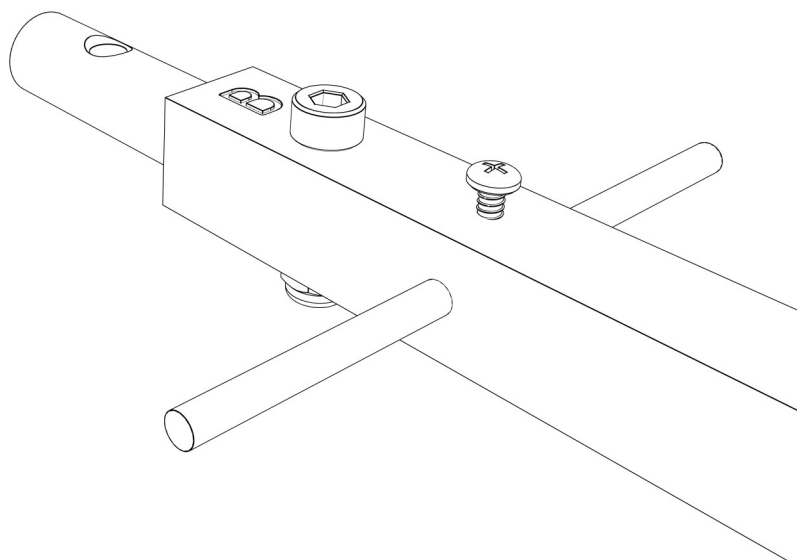
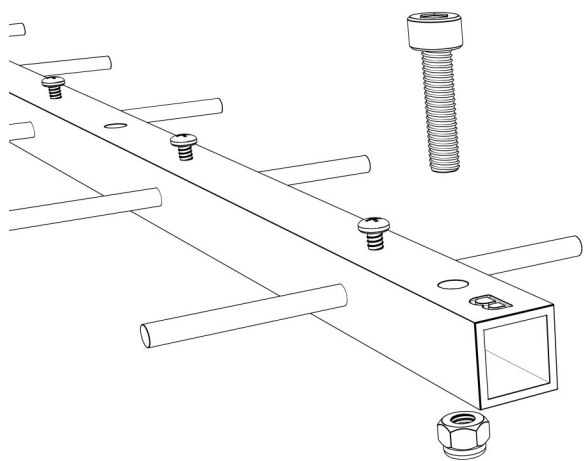
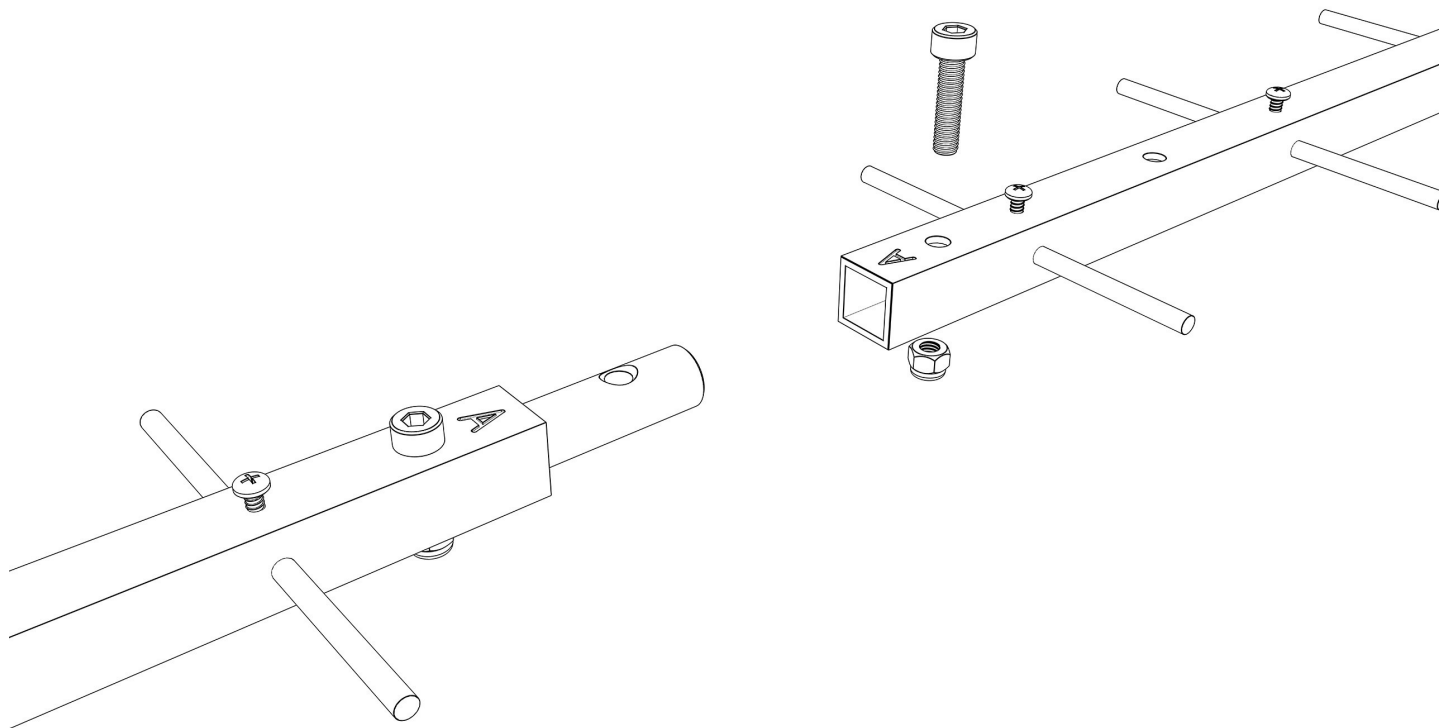
Cursor Elev 0,0 deg.
Gain 21,41 dBi
0,0 dBmax

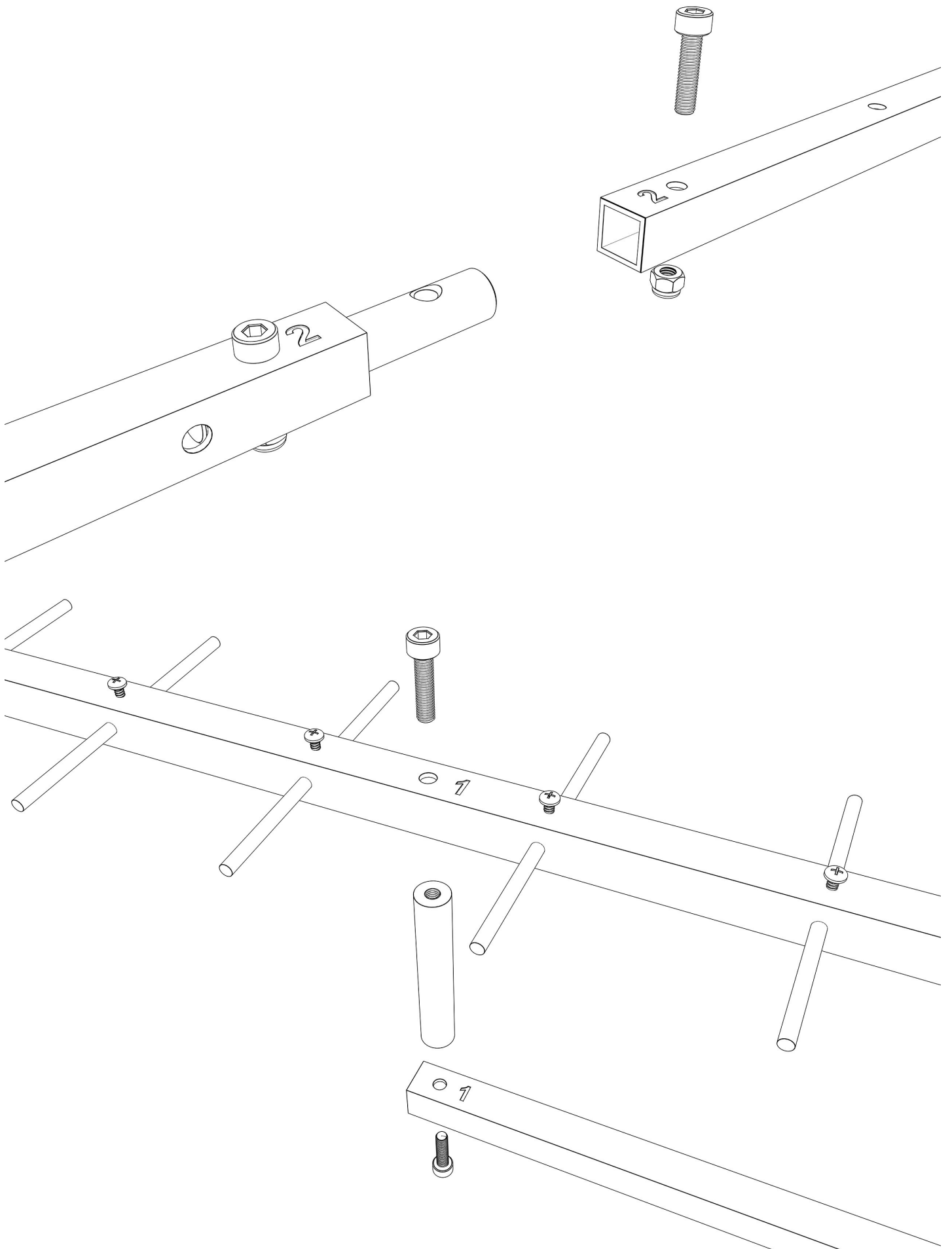
Slice Max Gain 21,41 dBi @ Elev Angle = 0,0 deg.
Front/Back 28,65 dB
Beamwidth 17,2 deg.; -3dB @ 351,4, 8,6 deg.
Sidelobe Gain 4,28 dBi @ Elev Angle = 20,0 deg.
Front/Sidelobe 17,13 dB

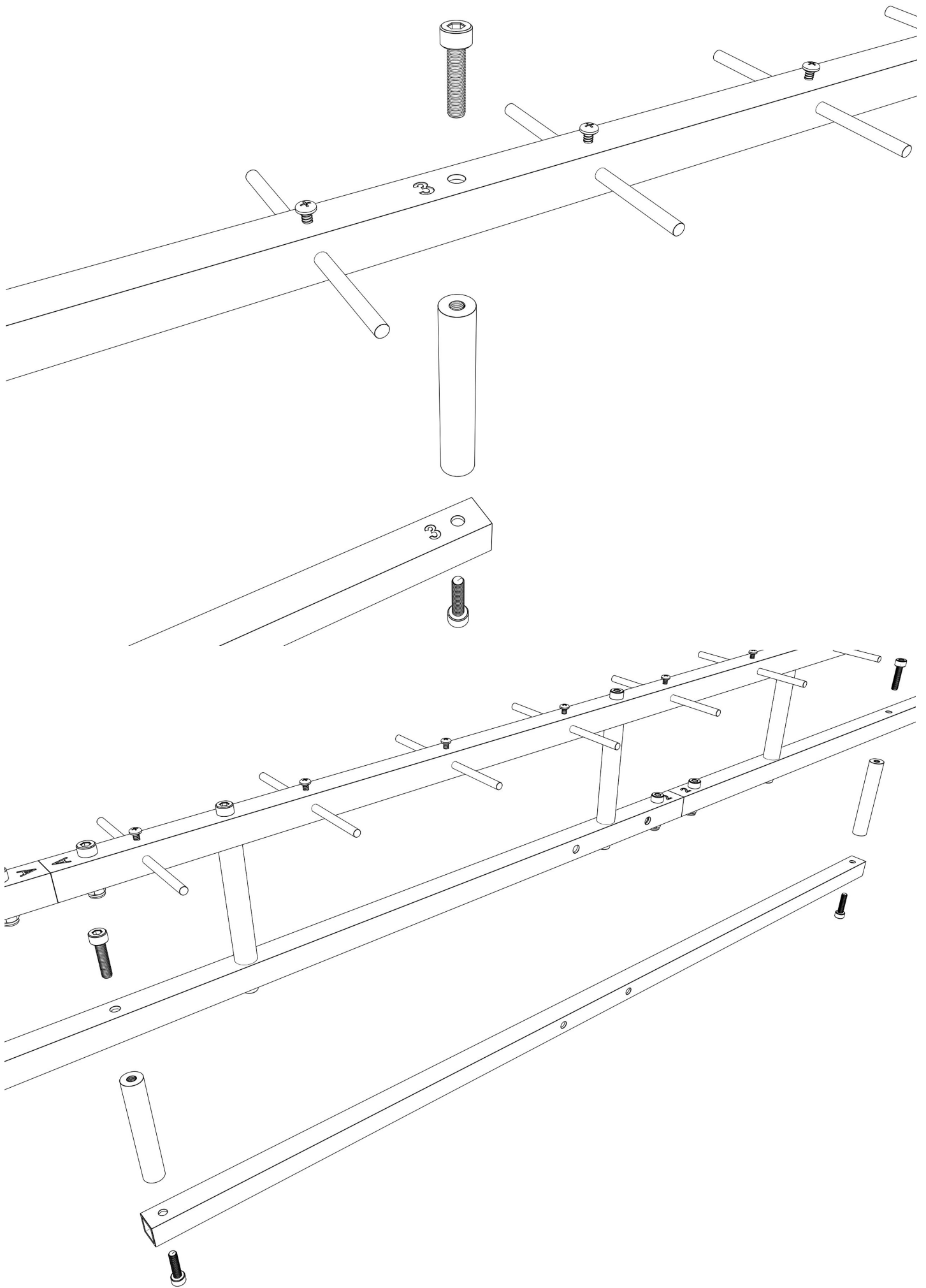
IØJXX may vary them without any warning

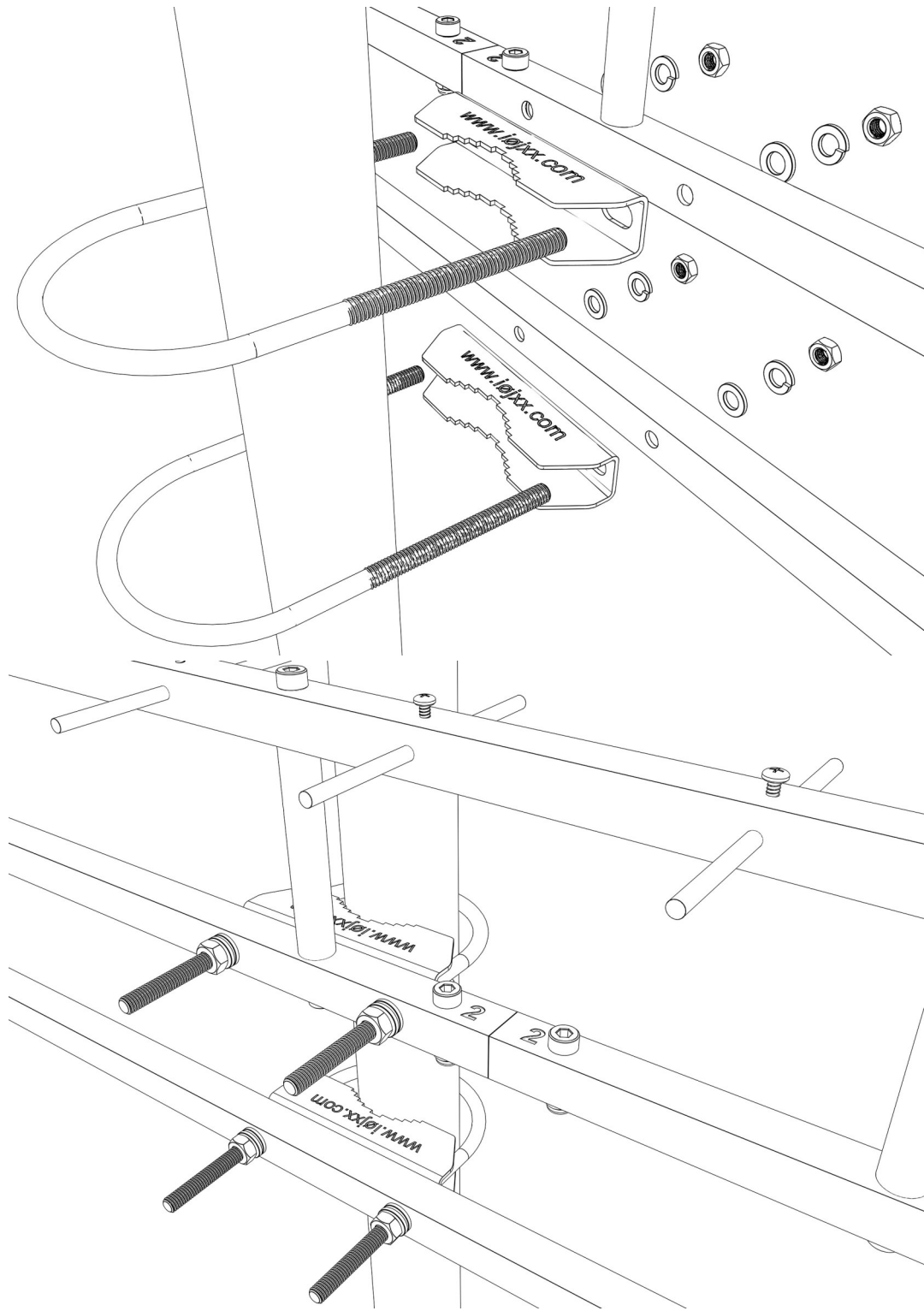
Made in Italy
www.iøjxx.com







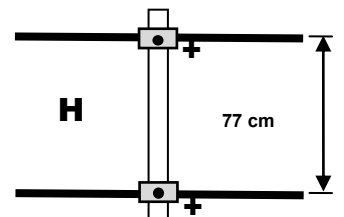
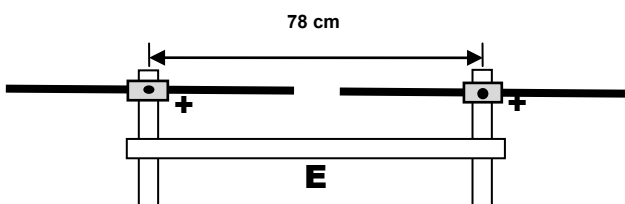




Stacking

$$\text{Plane E} = 17.2^\circ = \frac{231.46}{2 * \sin (17.2 / 2)} = \frac{231.46}{0.299} \cong 77 \text{ cm}$$

$$\text{Plane H} = 17^\circ = \frac{231.46}{2 * \sin (17 / 2)} = \frac{231.46}{0.2956} \cong 78 \text{ cm}$$



IØJXX may vary them without any warning
Made in Italy
www.iøjxx.com