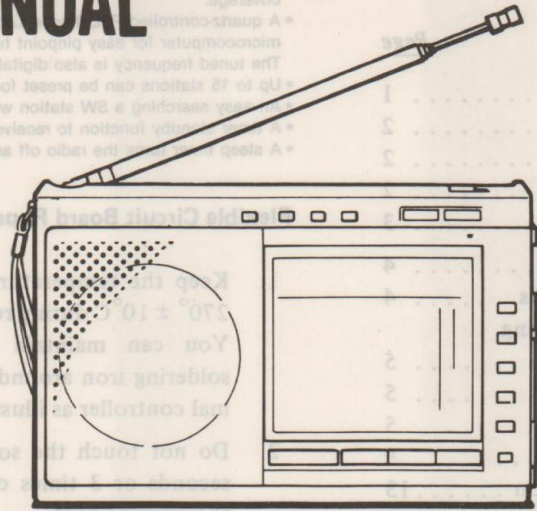


ICF-7600DA/7700

SERVICE MANUAL



AEP Model

UK Model

E Model

AUS Model

ICF-7600DA:

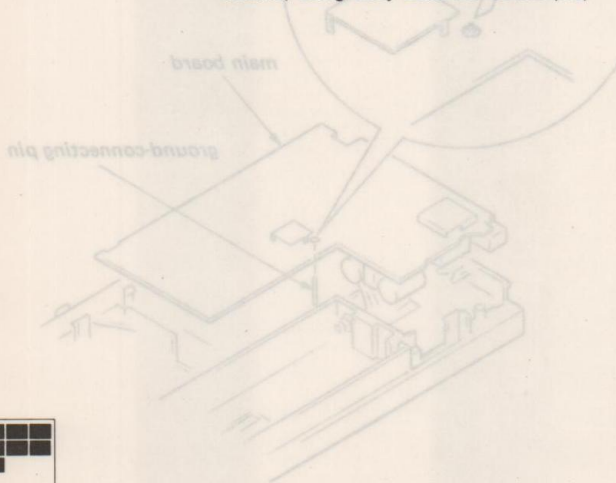
US Model

Canadian Model

ICF-7700:

SPECIFICATIONS

| | | | |
|--------------------|--|----------------------|--|
| Circuit system | FM: Superheterodyne LW/MW/SW: Dual conversion superheterodyne | Dimensions | Approx. 191.5 × 117 × 31.5 mm (w/h/d) (7 ⁵ / ₈ × 4 ⁵ / ₈ × 1 ¹ / ₄ inches) including projecting parts and controls |
| Frequency range | FM: US, Canadian model: 76.0–108.0 MHz AEP, UK, E, AUS model: 87.5–108.0 MHz MW: 530–1,700 kHz LW: 150–285 kHz SW (1–12 SW broadcast bands): 3,050–26,100 kHz | Weight | 607 g (1 lb 5 ³ / ₈ oz) including batteries |
| Antennas | FM/SW: Telescopic antenna MW/LW: Built-in ferrite bar antenna | Supplied accessories | Earphone (1) Short wave guide (1) Carrying case (1) SW compact antenna (1) |
| Speaker | Approx. 7.7 cm (3 ¹ / ₈ inches) dia. | | |
| Power output | 400 mW (at 10% harmonic distortion) | | |
| Outputs | Recording output jack (minijack) output level 0.775 mV (–60 dB) output impedance 1 kilohm | | |
| Power requirements | Earphone jack (minijack) for 8 ohm earphone 6 V DC Four size AA (R6) batteries DC IN 6 V jack accepts: Sony AC-D4S AC power adaptor (optional) for use on 120 V AC, 60 Hz Sony DCC-127A or DCC-240 car battery cord (optional) for use with 12 V or 24 V car battery, respectively Sony EBP-6 battery case (optional) for use with four size C (R14) batteries. | | |
| Battery life | Approx. 19 hours of listening for four hours a day at a normal volume, using Sony batteries SUM-3 (NS) | | |



FM/LW/MW/SW
PLL SYNTHESIZED RECEIVER
SONY®



TABLE OF CONTENTS

| Title | Description | Page |
|------------|--|------|
| | Specifications | 1 |
| | Features | 2 |
| | Flexible Circuit Board Repairing | 2 |
| | Main Board Removal | 2 |
| | Replacing Chip Components | 3 |
| Section 1. | Outline | 4 |
| 1-1. | Location and Function of Controls | 4 |
| 1-2. | Outline of the C-MOS Digital-Tuning System IC201, μ PD1715G | 5 |
| 1-2-1. | Outline of the Station-Selection | 5 |
| 1-2-2. | Description on the Terminals | 5 |
| 1-2-3. | On the Key Matrix | 9 |
| 1-2-4. | Description on Displaying Function | 13 |
| 1-2-5. | Initial-State Setting | 14 |
| 1-2-6. | Muting-Output Timings | 14 |
| 1-3. | Outline of Terminals of the LCD Dot-Matrix Segment Driver IC202, MSM5259GS | 16 |
| 1-4. | On the new LCD panel, LCD1 | 18 |
| Section 2. | Electrical Adjustments | 19 |
| Section 3. | Diagrams | 25 |
| 3-1. | Semiconductors Lead Layouts | 25 |
| 3-2. | Mounting Diagram (1) | 26 |
| 3-3. | Schematic Diagram (1) | 31 |
| 3-4. | Mounting Diagram (1) | 35 |
| 3-5. | Schematic Diagram (2) | 39 |
| 3-6. | Mounting Diagram (2) | 44 |
| Section 4. | Exploded Views and Parts List | 49 |
| Section 5. | Electrical Parts List | 51 |
| | Troubleshooting Guide | 56 |

NOTE: Removal and Block Diagram Sections have been omitted.

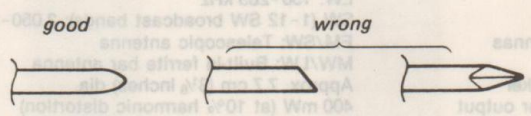
FEATURES

- An FM/LW/MW/SW 1-12, 15 bands portable radio with world-wide band coverage.
- A quartz-controlled PLL (Phase Locked Loop) synthesizer system using a microcomputer for easy pinpoint tuning. The tuned frequency is also digitally displayed.
- Up to 15 stations can be preset for button-touch tuning.
- An easy searching a SW station with the SW meter band select function.
- A timer standby function to receive a desired broadcast at the desired time.
- A sleep timer turns the radio off automatically in 65 minutes.

Flexible Circuit Board Repairing

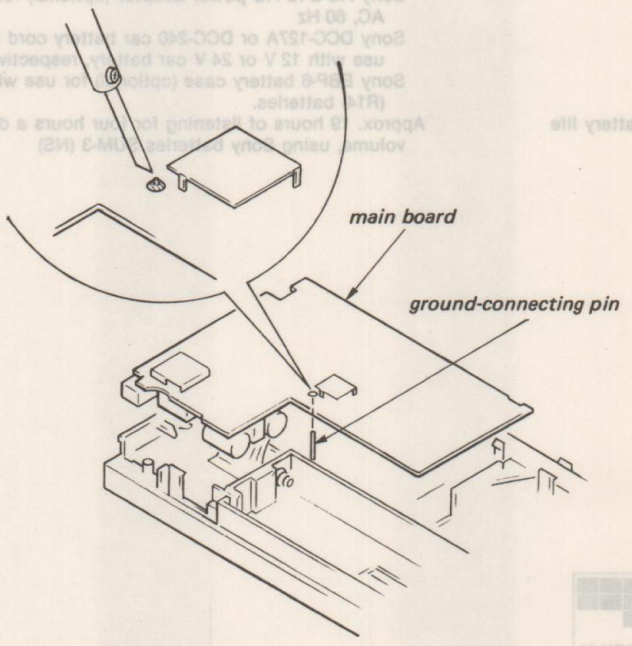
1. Keep the temperature of the soldering iron at $270^{\circ} \pm 10^{\circ}\text{C}$ during repairing. You can maintain the temperature of the soldering iron around 270°C by using the thermal controller as illustrated on the right.
2. Do not touch the soldering iron more than 4 seconds or 3 times on the same conductor of the circuit board.
3. Do not apply force on the conductor when soldering or unsoldering.

Tip of soldering iron



MAIN BOARD REMOVAL

Unsolder the ground-connecting pin at the main board as shown below.



SECTION 1
OUTLINE

Replacing chip components

All chip components should be connected and disconnected, using a tapered soldering iron [temperature of the iron tip: less than 280°C (536°F)], a pair of tweezers and braided wire.

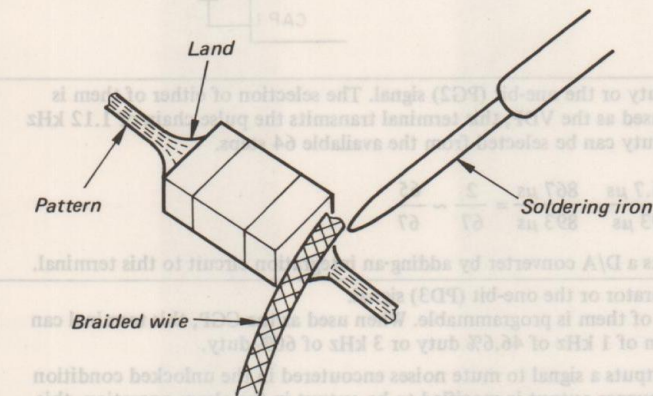
Precautions for replacement

1. Do not disconnect the chip component forcefully. Otherwise, the pattern may peel off.
2. Never re-use a disconnected chip component. Dispose of all old chip components.
3. To protect the chip component, heating time for attaching the component should be within 3 seconds.

Removing chip components

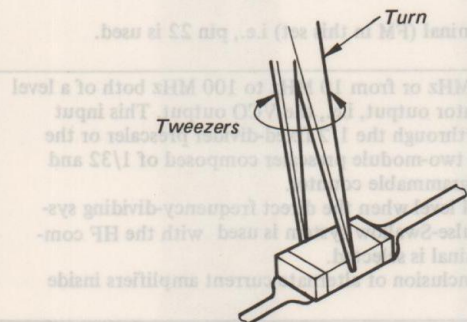
(1) Removing solder at electrode

Remove the solder at the electrode, using a thin braided wire. Do not remove the solder of the part (chip component) attached adjacent to the electrode.



(2) Disconnecting chip components

Turn the tweezers with the soldering iron alternately applied to both electrodes, and the chip component will be disconnected. Take careful precautions while disconnecting, because if the chip component is forcefully removed the land may peel off. Never re-use a disconnected chip component.



(3) Smoothing the soldered surface

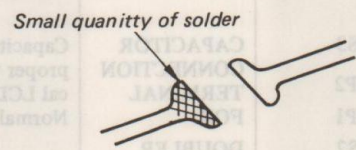
After disconnecting the chip component, remove the solder by using a braided wire to smooth the land surface.

Connecting chip components

The value of chip components is not displayed on the main body. Take due precautions to avoid mixing new chip components with other ones.

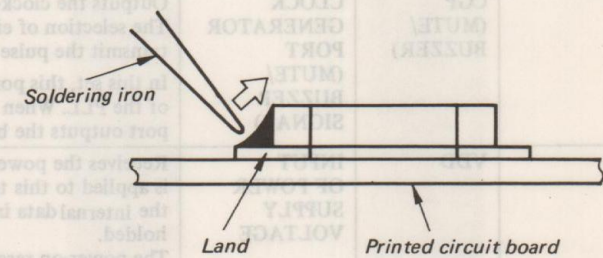
(1) Applying solder to land on one side

Apply a thin layer of solder to the land on one side where the chip component is to be connected. Too much solder may cause bridging.



(2) Speedy soldering

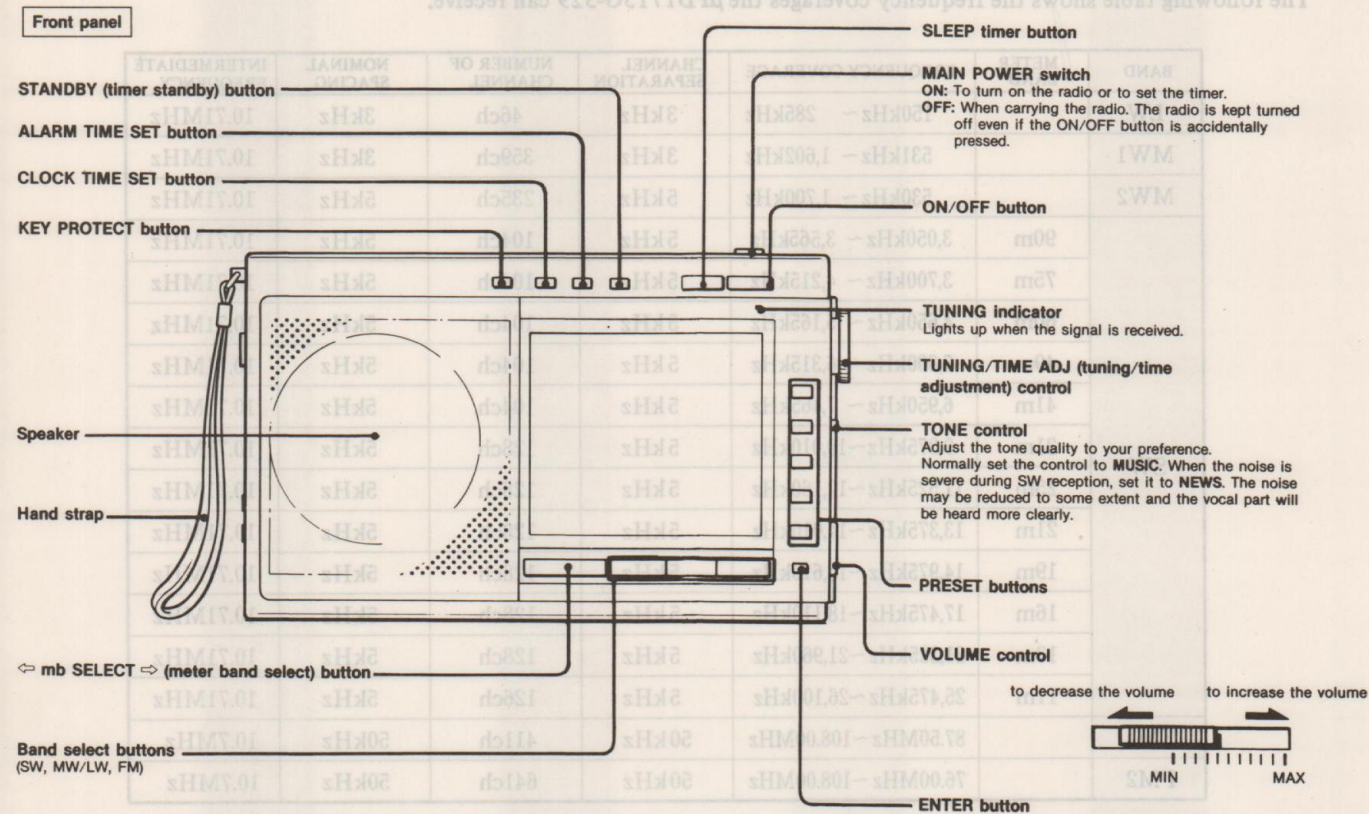
Hold the chip component at the desired position, using tweezers, and apply the soldering iron in the arrow-marked direction. To protect the chip component, heating time should be within 3 seconds.



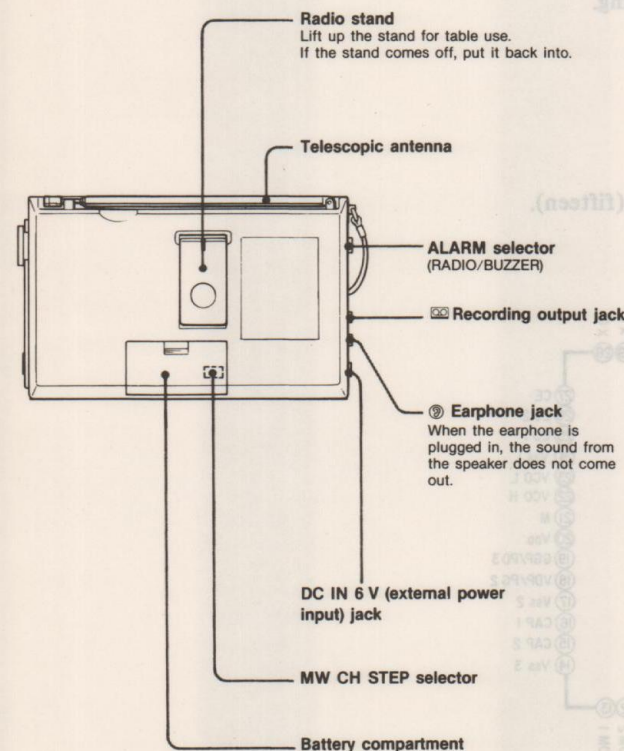
(3) Speedy soldering of electrode on the other side

Solder the electrode on the other side in the same way as in (2) above.

1-1. LOCATION AND FUNCTION OF CONTROLS

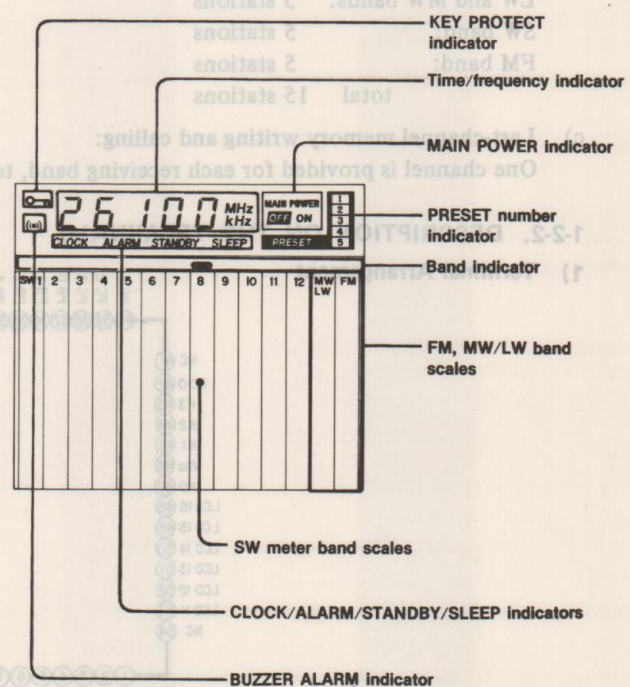


Rear panel



Display window

The indications appear as follows.



1-2. OUTLINE OF THE C-MOS DIGITAL-TUNING SYSTEM IC201, μ PD1715G-529.

1-2-1. OUTLINE OF THE STATION-SELECTION

1) Receiving-frequency Coverages:

The following table shows the frequency coverages the μ PD1715G-529 can receive.

| BAND | METER BAND | FREQUENCY COVERAGE | CHANNEL SEPARATION | NUMBER OF CHANNEL | NOMINAL SPACING | INTERMEDIATE FREQUENCY |
|------|------------|-----------------------|--------------------|-------------------|-------------------|------------------------|
| LW | | 150kHz ~ 285kHz | 3kHz | 46ch | 3kHz | 10.71MHz |
| MW1 | | 531kHz ~ 1,602kHz | 3kHz | 359ch | 3kHz | 10.71MHz |
| MW2 | | 530kHz ~ 1,700kHz | 5kHz | 235ch | 5kHz | 10.71MHz |
| SW | 90m | 3,050kHz ~ 3,565kHz | 5kHz | 104ch | 5kHz | 10.71MHz |
| | 75m | 3,700kHz ~ 4,215kHz | 5kHz | 104ch | 5kHz | 10.71MHz |
| | 60m | 4,650kHz ~ 5,165kHz | 5kHz | 104ch | 5kHz | 10.71MHz |
| | 49m | 5,800kHz ~ 6,315kHz | 5kHz | 104ch | 5kHz | 10.71MHz |
| | 41m | 6,950kHz ~ 7,465kHz | 5kHz | 104ch | 5kHz <td 10.71MHz | |
| | 31m | 9,375kHz ~ 10,010kHz | 5kHz | 128ch | 5kHz | 10.71MHz |
| | 25m | 11,525kHz ~ 12,160kHz | 5kHz | 128ch | 5kHz | 10.71MHz |
| | 21m | 13,375kHz ~ 14,010kHz | 5kHz | 128ch | 5kHz | 10.71MHz |
| | 19m | 14,975kHz ~ 15,610kHz | 5kHz | 128ch | 5kHz | 10.71MHz |
| | 16m | 17,475kHz ~ 18,110kHz | 5kHz | 128ch | 5kHz | 10.71MHz |
| | 13m | 21,325kHz ~ 21,960kHz | 5kHz | 128ch | 5kHz | 10.71MHz |
| | 11m | 25,475kHz ~ 26,100kHz | 5kHz | 126ch | 5kHz | 10.71MHz |
| FM1 | | 87.50MHz ~ 108.00MHz | 50kHz | 411ch | 50kHz | 10.7MHz |
| FM2 | | 76.00MHz ~ 108.00MHz | 50kHz | 641ch | 50kHz | 10.7MHz |

NOTE: LW and MW1 (or MW2) bands are taken into a single band in the μ PD1715G-529.

2) Station-selecting Functions:

a) Manual up/down selection by using the rotary encoder tuning dial.

b) Random selection out of the preset memories by key-in calling.

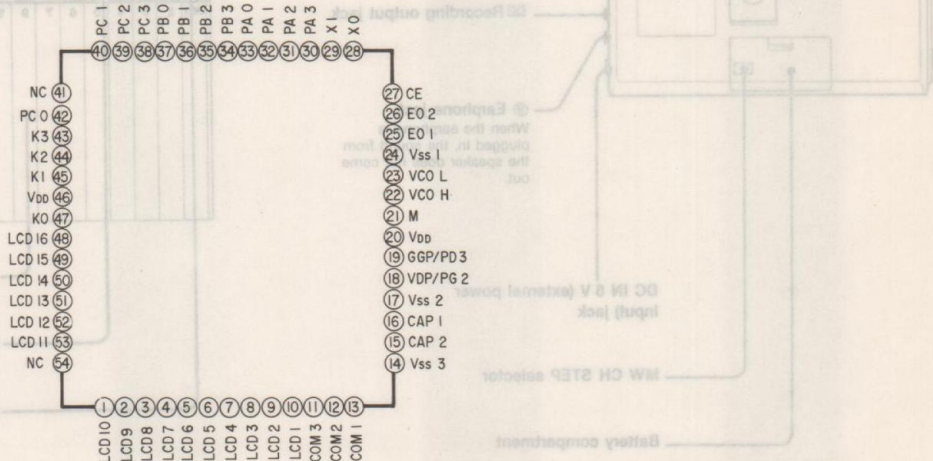
LW and MW bands: 5 stations
 SW band: 5 stations
 FM band: 5 stations
 total 15 stations

c) Last-channel memory writing and calling:

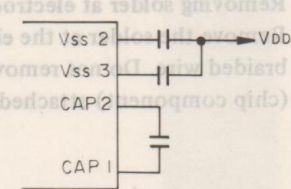
One channel is provided for each receiving band, total of 15 (fifteen).

1-2-2. DESCRIPTION ON THE TERMINALS

1) Terminal Arrangement



2)

| PIN Nr. | SYMBOL | NAMING | DESCRIPTION |
|----------------------|------------------------------|--|--|
| 1 THRU 10 | LCD9 THRU LCD1 | LCD SEGMENT SIGNALS | Transmit the segment-output signals to the LCD panel. When matrixes are configured together with the COM1 thru COM3, a display of 48 dots can be made. These output signals are output when the LCDD commands are made. The LCD-driving voltages are of 3.1V typical, 1/2 bias and 1/3 duty when the frame frequency is 100 Hz. These LCD11 through LCD16 can also be used at the same time as the key source signals for the key matrix. These signal are output on time-division bases, and they are output as the key-source signals at the repetition rate of 6.7 msec. Whether the key-source signal are to be output while having displays on the panel is dependent upon and selectable by the programs used. These terminals become automatically in the "L" (low) state, i.e., non-display mode, at the power-on reset (VDD changes from low to high state) and at the stoppage moment of the clock. The display mode does not change at the reset moment in which CE changes from low to high state. |
| 11 THRU 13 | COM3 THRU COM1 | LCD COMMON SIGNAL | Transmit common signals to the LCD panel. When the matrixes are configured together with the LCD1 through LCD16, a display of 48 dots can be made. Three distinctive signals of VSS3, VSS2 and VDD are output through these terminals at the repetition rate of 50 Hz. These terminals become automatically in the "L" (low) state, i.e., non-display mode, at the power-on reset (VDD changes from low to high state) and at the stoppage moment of the clock. |
| 14 15 16 17 | VSS3 CAP2 CAP1 VSS2 | CAPACITOR CONNECTION TERMINAL FOR DOUBLER | Capacitor-connection terminals to make a proper voltage doubler to build the 3.1V typical LCD-driving voltage VDD. Normal circuit configuration is as follows.  |
| 18 | VDP (POWER-OUTPUT) | VARIABLE DUTY PORT (POWER-SUPPLY CONTROL SIGNAL) | Outputs the variable-duty or the one-bit (PG2) signal. The selection of either of them is programmable. When used as the VDP, this terminal transmits the pulse chain of 1.12 kHz continuously, and its duty can be selected from the available 64 steps. $\text{duty} = \frac{26.7 \mu\text{s}}{893 \mu\text{s}} \sim \frac{867 \mu\text{s}}{893 \mu\text{s}} = \frac{2}{67} \sim \frac{65}{67}$ This port can be used as a D/A converter by adding an integration circuit to this terminal. |
| 19 | CGP (MUTE/BUZZER) | CLOCK GENERATOR PORT (MUTE/BUZZER SIGNAL) | Outputs the clock-generator or the one-bit (PD3) signal. The selection of either of them is programmable. When used as the CGP, this terminal can transmit the pulse chain of 1 kHz of 46.6% duty or 3 kHz of 60% duty. In this set, this port outputs a signal to mute noises encountered in the unlocked condition of the PLL. When the buzzer output is specified to be output in the alarm operation, this port outputs the buzzer signal of 1 kHz. |
| 20 | VDD | INPUT OF POWER SUPPLY VOLTAGE | Receives the power-supply voltage for this device. In operation, a voltage of 2.2 to 3.5 VDC is applied to this terminal. The input voltage can be lowered down to 2.0 VDC when any of the internal data in the RAM, i.e., when the CKSTP command is under execution, is to be holded. The power-on reset circuit of device starts to operate at the instance this terminal receives a voltage of 0 (zero) to 2.0 VDC, and the program starts from the location 0 (zero). Note: This pin and pin 46 are connected internally. So, it is not necessary to apply the power-supply voltage to both of them. The ceramic-packaged device, however, has a not-to-be connected pin 46, i.e., N.C. terminal. |
| 21 | M (FMC) | CONTROL-SIGNAL INPUT FOR DIVIDER | Determines the dividing ratio of the fixed-division prescaler. A 1/4 dividing ratio is made when this terminal is held at "H" (high), and a 1/2 divider is made when held at "L" (low). This port is used only when the VCOH terminal (FM in this set) i.e., pin 22 is used. This set uses this port as a 1/4 divider. |
| 22 | VCOH (FM IN) | FM OSC SIGNAL INPUT | Receives frequencies from 10 MHz to 130 MHz or from 10 MHz to 100 MHz both of a level of 0.2 Vp-p minimum from the local-oscillator output, i.e., the VCO output. This input signal is connected internally in this device through the 1/2 fixed-divider prescaler or the 1/4 fixed-divider prescaler and through the two-module prescaler composed of 1/32 and 1/33 frequency dividers to the internal programmable counter. This terminal is pulled down to the ground level when the direct frequency-dividing system is taken into the circuit or when the Pulse-Swallow system is used with the HF command executed, i.e., the VCOL (AM) terminal is selected. A capacitor coupling is needed due to the inclusion of alternate current amplifiers inside this device. |

| PIN Nr. | SYMBOL | NAMING | DESCRIPTION | | | | | | | | | | | | |
|-------------------------------------|-----------------------|---------------------|--|-----------------|-----------------------|-----------------|----------------|---------|----------|---------------|----------------------------|-------------------------------------|----------|---------------|-------------------------------|
| 23 | VCOL (AM IN) | AM OSC SIGNAL INPUT | <p>Receives an AM local-oscillator signals, i.e., the VCO signal from 0.5 MHz to 40 MHz of 0.2 Vp-p minimum.</p> <p>This port is selected when the direct frequency-dividing system or the Pulse-Swallow system is used and, at the same time, the HF command is executed. These two systems are, however, different one another as shown below.</p> <table border="1"> <thead> <tr> <th>DIVIDING SYSTEM</th> <th>INPUT LEVEL (MINIMUM)</th> <th>INPUT FREQUENCY</th> <th>DIVIDING RATIO</th> </tr> </thead> <tbody> <tr> <td>DIRECT</td> <td>0.1 Vp-p</td> <td>0.5 to 15 MHz</td> <td>16 to (2¹²-1)</td> </tr> <tr> <td>PULSE-SWALLOW (HF COMMAND EXECUTED)</td> <td>0.2 Vp-p</td> <td>0.5 to 40 MHz</td> <td>1,024 to (2¹⁷-1)</td> </tr> </tbody> </table> <p>This terminal is pulled down to the ground level when the Pulse-Swallow system is used together with the VHF-command execution, i.e., the VCOH (FM) terminal is selected. A capacitor coupling is needed due to the inclusion of alternate current amplifiers inside this chip.</p> | DIVIDING SYSTEM | INPUT LEVEL (MINIMUM) | INPUT FREQUENCY | DIVIDING RATIO | DIRECT | 0.1 Vp-p | 0.5 to 15 MHz | 16 to (2 ¹² -1) | PULSE-SWALLOW (HF COMMAND EXECUTED) | 0.2 Vp-p | 0.5 to 40 MHz | 1,024 to (2 ¹⁷ -1) |
| DIVIDING SYSTEM | INPUT LEVEL (MINIMUM) | INPUT FREQUENCY | DIVIDING RATIO | | | | | | | | | | | | |
| DIRECT | 0.1 Vp-p | 0.5 to 15 MHz | 16 to (2 ¹² -1) | | | | | | | | | | | | |
| PULSE-SWALLOW (HF COMMAND EXECUTED) | 0.2 Vp-p | 0.5 to 40 MHz | 1,024 to (2 ¹⁷ -1) | | | | | | | | | | | | |
| 24 | Vssl | GROUND | The ground-return terminal of this device. | | | | | | | | | | | | |
| 25 | E01 | ERROR OUTPUT | Transmits the error signal of the PLL system. When the resultant frequencies obtained by dividing the local-oscillator frequencies are higher than the reference frequency, an "H" (high)-level signal is output from this port. When these are lower, on the contrary, an "L" (low)-level signal is output from this port. When these divided frequencies just coincide with the reference frequency, this port becomes in a floating state. These output signals from this port then go through the external lowpass filter to the varactor diodes in the tuned circuits in these frontends of the receiver. The same output waveform as the terminal E01 is obtainable from the next terminal E02, pin 26, and so these two are user-selectable. When the PLL is disabled, i.e., when the system is set by the PLL commands or the CE terminal, pin 27, is set to the "L" (low)-level, these E01 and E02 terminals become in the floating states. | | | | | | | | | | | | |
| 26 | E02 | ERROR OUTPUT | | | | | | | | | | | | | |
| 27 | CE | CHIP ENABLE | <p>Receives the state-selection signals for this device.</p> <p>When set at "H" (high), this device works, and vice versa. The PLL section of this device becomes forcibly in a disabled condition in the duration of wider than 140 μsec of the "L" (low)-level state. The duration, however, of shorter than 140 μsec is not taken into account. The programmes are using the CKSTP commands. The CKSTP commands are effective only when the state of this CE is in an "L" (low) condition. When this CE terminal is in an "H" state, these programmes work like under NOP commands.</p> <p>When the CKSTP commands are executed when this CE terminal is in an "L" (low) level, the internal clock generator and the internal CPU are disabled. In this disabled condition, the RAM-memory backups can be made under a very-low current consumption of 3 μA maximum. In this condition, these display-output signals LCD1 through LCD16 and the COM1 COM3 become in the off-display mode, i.e., the "L" (low) state.</p> <p>When the level of this CE terminal is changed from "L" to "H", this device is reset and its programmes start from the location "0" (zero). In this state, the Port A becomes in the input mode.</p> | | | | | | | | | | | | |
| 28 | XO | CRYSTAL OSCILLATOR | An external quartz-crystal oscillator connects to these terminals to obtain 75 kHz signal generator for the devices. | | | | | | | | | | | | |
| 29 | XI | CRYSTAL OSCILLATOR | | | | | | | | | | | | | |
| 30 THRU 33 | PA3 THRU PA0 | PORT A | 4-bit I/O (Input/Output) ports. These ports enable the device designate input or output bit by bit. The each designation is, in turn, performed by the contents in the location "1FH" in the "BANK 0 (zero)" in the data memory (RAM), called as a "PAIO word". At these instances as the power-on, clock stoppage and the initial setting of the CE terminal from "L" to "H", these terminals automatically become in the input ports. | | | | | | | | | | | | |
| (30) | (K-ENTER) | (ENTER-KEY IN) | Under the port-operation commands like "IN", "OUT", "SPB", "RPB" commands, etc., the PA0 port coincides with the least significant bit of the register or the operand, the PA3 coincides with the most-significant bit of them. The same applies to the port B and Port C respectively. | | | | | | | | | | | | |
| (31) | (DAT-R) | (ENCODER DATA IN) | | | | | | | | | | | | | |
| (32) | (REQ-R) | (ENCODER REQUEST) | | | | | | | | | | | | | |
| (33) | (RES-R) | (ENCODER RESET) | | | | | | | | | | | | | |
| | | | <p>In this set, the PA3 (K-ENTER) port receives these return signals from the momentary ENTER and alternate BUZZER keys and the key matrix is as shown below.</p> <table border="1"> <thead> <tr> <th colspan="2">KEY SOURCE</th> </tr> <tr> <th>DAT-S</th> <th>RES-R</th> </tr> <tr> <td>K-ENTER</td> <td>ENTER</td> </tr> <tr> <td></td> <td>BUZZER</td> </tr> </thead> </table> <p>In this set, PA2 through PA0 are used to receive and transmit these signals to perform the readings of information from the tuning rotary encoder.</p> | KEY SOURCE | | DAT-S | RES-R | K-ENTER | ENTER | | BUZZER | | | | |
| KEY SOURCE | | | | | | | | | | | | | | | |
| DAT-S | RES-R | | | | | | | | | | | | | | |
| K-ENTER | ENTER | | | | | | | | | | | | | | |
| | BUZZER | | | | | | | | | | | | | | |

| PIN Nr. | SYMBOL | NAMING | DESCRIPTION | | | | | | | | | |
|----------------------------|---------------|---|---|--|-------|-------|----------------------------|---------------|-----------|------------------|--------------|--------------|
| (cont'd) | | | <p>input signals: data signal from the rotary encoder and request signal from the rotary encoder</p> <p>output signal: reset signal from the rotary encoder</p> <p>A partial circuit of the rotary encoder and these corresponding waveforms at each input or output terminal are those shown below.</p> | | | | | | | | | |
| 34 THRU 37 | PB3 THRU PB0 | PORT B | 4-bit exclusive output ports. For ports PB0 and PB1, the sink current is minimized to a specially-low drain, so the PB0 and PB1 are able to be used as the return-signal sources for the key matrix. Accordingly, any of the reverse-current-preventive diodes can be eliminated when these PB0 and PB1 ports are used as the key-return-signal sources. When these ports are used as ordinal output ports, it will happen any of the low-level output signal will not be output properly depending upon the circuit employed, because of the low sink current. In these cases, pull-down resistors are used in these output lines. | | | | | | | | | |
| (34) | (LAT-B) | (LATCH SIGNAL) (BAND INFO.) | Under the port-operation commands like "IN", "OUT", "SOB", "RPB" commands, etc., the PA0 port coincides with the least significant bit of the register or the operand, the PA3 coincides with the most-significant bit of them. The same applies to the Port B and Port C respectively. These exclusive output ports should be initialized using the programmes, because these ports output unstable and undefined output signals at the initial power-on condition, i.e., from "L" to "H". The output-data contents are the same as these previous last ones when the CE terminal changes from "L" to "H" or from "H" to "L", and when the CKSTP commands are under execution. Accordingly, the initialization with programmes is needed too where required. In this set, these ports are used as those shown in the parentheses. The 40-bit frequency-position displaying information and the 8-bit band information are sent out to external circuits as serial data flows. The data and the clock signals are used in common for the band information (for IC201) and for the frequency-position information. A partial block diagram is shown below. | | | | | | | | | |
| (35) | (LAT-A) | (LATCH SIGNAL) (FREQ. POSITION DISPLAY) | | | | | | | | | | |
| (36) | (DAT-S) | (DATA SIGNAL) | | | | | | | | | | |
| (37) | (CLK-S) | (CLOCK SIGNAL) | | | | | | | | | | |
| | | | <table border="1"> <thead> <tr> <th></th> <th>CLOCK</th> <th>LATCH</th> </tr> </thead> <tbody> <tr> <td>FREQUENCY POSITION DISPLAY</td> <td>trailing edge</td> <td>low level</td> </tr> <tr> <td>BAND INFORMATION</td> <td>leading edge</td> <td>leading edge</td> </tr> </tbody> </table> <p>Note: Frequency-position display turns on when the data is "1".</p> | | CLOCK | LATCH | FREQUENCY POSITION DISPLAY | trailing edge | low level | BAND INFORMATION | leading edge | leading edge |
| | CLOCK | LATCH | | | | | | | | | | |
| FREQUENCY POSITION DISPLAY | trailing edge | low level | | | | | | | | | | |
| BAND INFORMATION | leading edge | leading edge | | | | | | | | | | |

| PIN Nr. | SYMBOL | NAMING | DESCRIPTION | | | | | | | | | | | | | | | | | | | | | | | | | | | | | | | | | | | | | | | | | | | | | | | | | | | | | | | | | | | | |
|--|-------------------------------------|--|--|------------------|-------------------------------------|-------------|-------------|-------------|--------------------|-----------------|-----------------|-----------------|-----------------|--------------------|-----------------|-----------|--------------|-----------|--------------------|--------------|--------------|-------------|-----------|--------------------|----------------|--------------------|--------------|---------------|----------------------|-----|------|------------------|------------------|------|-----|----------|---------|------|-----|----------|---------|------|-----|----------|---------|------|-----|----------|---------|------|-----|----------|---------|------|-----|----------|---------|-----|------|---------|---------|-----|-----|
| (cont'd) | | | <table border="1"> <thead> <tr> <th>BAND (METERBAND)</th> <th>BAND-OUTPUT CODE (BINARY) MSB → LSB</th> <th>SWH</th> <th>SWL</th> </tr> </thead> <tbody> <tr> <td>LW/MW1/MW2</td> <td>0 0 1 0</td> <td>Low</td> <td>High</td> </tr> <tr> <td>SW (90m)</td> <td>0 0 1 1</td> <td>Low</td> <td>High</td> </tr> <tr> <td>SW (75m)</td> <td>0 1 0 0</td> <td>Low</td> <td>High</td> </tr> <tr> <td>SW (60m)</td> <td>0 1 0 1</td> <td>Low</td> <td>High</td> </tr> <tr> <td>SW (49m)</td> <td>0 1 1 0</td> <td>Low</td> <td>High</td> </tr> <tr> <td>SW (41m)</td> <td>0 1 1 1</td> <td>Low</td> <td>High</td> </tr> <tr> <td>SW (31m)</td> <td>1 0 0 0</td> <td>High</td> <td>Low</td> </tr> <tr> <td>SW (25m)</td> <td>1 0 0 1</td> <td>High</td> <td>Low</td> </tr> <tr> <td>SW (21m)</td> <td>1 0 1 0</td> <td>High</td> <td>Low</td> </tr> <tr> <td>SW (19m)</td> <td>1 0 1 1</td> <td>High</td> <td>Low</td> </tr> <tr> <td>SW (16m)</td> <td>1 1 0 0</td> <td>High</td> <td>Low</td> </tr> <tr> <td>SW (13m)</td> <td>1 1 0 1</td> <td>High</td> <td>Low</td> </tr> <tr> <td>SW (11m)</td> <td>1 1 1 0</td> <td>Low</td> <td>High</td> </tr> <tr> <td>FM1/FM2</td> <td>1 1 1 1</td> <td>Low</td> <td>Low</td> </tr> </tbody> </table> <p>NOTE: Also refer to 1-2-4. Description On Displaying Function on later pages.</p> | BAND (METERBAND) | BAND-OUTPUT CODE (BINARY) MSB → LSB | SWH | SWL | LW/MW1/MW2 | 0 0 1 0 | Low | High | SW (90m) | 0 0 1 1 | Low | High | SW (75m) | 0 1 0 0 | Low | High | SW (60m) | 0 1 0 1 | Low | High | SW (49m) | 0 1 1 0 | Low | High | SW (41m) | 0 1 1 1 | Low | High | SW (31m) | 1 0 0 0 | High | Low | SW (25m) | 1 0 0 1 | High | Low | SW (21m) | 1 0 1 0 | High | Low | SW (19m) | 1 0 1 1 | High | Low | SW (16m) | 1 1 0 0 | High | Low | SW (13m) | 1 1 0 1 | High | Low | SW (11m) | 1 1 1 0 | Low | High | FM1/FM2 | 1 1 1 1 | Low | Low |
| BAND (METERBAND) | BAND-OUTPUT CODE (BINARY) MSB → LSB | SWH | SWL | | | | | | | | | | | | | | | | | | | | | | | | | | | | | | | | | | | | | | | | | | | | | | | | | | | | | | | | | | | | |
| LW/MW1/MW2 | 0 0 1 0 | Low | High | | | | | | | | | | | | | | | | | | | | | | | | | | | | | | | | | | | | | | | | | | | | | | | | | | | | | | | | | | | | |
| SW (90m) | 0 0 1 1 | Low | High | | | | | | | | | | | | | | | | | | | | | | | | | | | | | | | | | | | | | | | | | | | | | | | | | | | | | | | | | | | | |
| SW (75m) | 0 1 0 0 | Low | High | | | | | | | | | | | | | | | | | | | | | | | | | | | | | | | | | | | | | | | | | | | | | | | | | | | | | | | | | | | | |
| SW (60m) | 0 1 0 1 | Low | High | | | | | | | | | | | | | | | | | | | | | | | | | | | | | | | | | | | | | | | | | | | | | | | | | | | | | | | | | | | | |
| SW (49m) | 0 1 1 0 | Low | High | | | | | | | | | | | | | | | | | | | | | | | | | | | | | | | | | | | | | | | | | | | | | | | | | | | | | | | | | | | | |
| SW (41m) | 0 1 1 1 | Low | High | | | | | | | | | | | | | | | | | | | | | | | | | | | | | | | | | | | | | | | | | | | | | | | | | | | | | | | | | | | | |
| SW (31m) | 1 0 0 0 | High | Low | | | | | | | | | | | | | | | | | | | | | | | | | | | | | | | | | | | | | | | | | | | | | | | | | | | | | | | | | | | | |
| SW (25m) | 1 0 0 1 | High | Low | | | | | | | | | | | | | | | | | | | | | | | | | | | | | | | | | | | | | | | | | | | | | | | | | | | | | | | | | | | | |
| SW (21m) | 1 0 1 0 | High | Low | | | | | | | | | | | | | | | | | | | | | | | | | | | | | | | | | | | | | | | | | | | | | | | | | | | | | | | | | | | | |
| SW (19m) | 1 0 1 1 | High | Low | | | | | | | | | | | | | | | | | | | | | | | | | | | | | | | | | | | | | | | | | | | | | | | | | | | | | | | | | | | | |
| SW (16m) | 1 1 0 0 | High | Low | | | | | | | | | | | | | | | | | | | | | | | | | | | | | | | | | | | | | | | | | | | | | | | | | | | | | | | | | | | | |
| SW (13m) | 1 1 0 1 | High | Low | | | | | | | | | | | | | | | | | | | | | | | | | | | | | | | | | | | | | | | | | | | | | | | | | | | | | | | | | | | | |
| SW (11m) | 1 1 1 0 | Low | High | | | | | | | | | | | | | | | | | | | | | | | | | | | | | | | | | | | | | | | | | | | | | | | | | | | | | | | | | | | | |
| FM1/FM2 | 1 1 1 1 | Low | Low | | | | | | | | | | | | | | | | | | | | | | | | | | | | | | | | | | | | | | | | | | | | | | | | | | | | | | | | | | | | |
| 38 THRU 40 | PC3 (KS3) THRU PC1 (KS1) | PORT C (KEY-MATRIX SIGNAL-SOURCE OUTPUT) | Refer to the PORT B outlined above. All the ports of this PORT C apply to the description for the PORT B. In this set, these ports output signals to be used as the signal sources for the key matrix. | | | | | | | | | | | | | | | | | | | | | | | | | | | | | | | | | | | | | | | | | | | | | | | | | | | | | | | | | | | | |
| 41 | NC | NO | This is a free terminal and is not connected to the internal circuits, and this terminal can be used as a junction land. | | | | | | | | | | | | | | | | | | | | | | | | | | | | | | | | | | | | | | | | | | | | | | | | | | | | | | | | | | | | |
| 42 | PC0 (KS0) | PORT C | Refer to description for pins 38 through 40 outlined above. | | | | | | | | | | | | | | | | | | | | | | | | | | | | | | | | | | | | | | | | | | | | | | | | | | | | | | | | | | | | |
| 43 THRU 45 | K3 THRU K1 | KEY INPUTS | 4-bit exclusive input ports. These are normally used as the key-matrix input terminals. When the KIN or the KI commands executed, the conditions of these pins are read into the RAM data memories designated by the operand portion of these commands. These ports are so configured that the port C and the LCD 9 LCD 16 can specifically be used as the key-return signal sources. When these LCD 9 through LCD 16 are used as the key sources, these keyed signals are output from these corresponding port every 6.7 msec while displaying keyed information on the display panel of the radio. Whether these keyed source signals are properly output or not is judged by the TKLT or the TKLF commands. Accordingly, it is requisite to execute the KI or the KIN commands after a proper command execution of TKLT or TKLF, i.e., after the solid confirmation of key-source signal outputs. | | | | | | | | | | | | | | | | | | | | | | | | | | | | | | | | | | | | | | | | | | | | | | | | | | | | | | | | | | | | |
| 46 | VDD | | Same as pin 20. | | | | | | | | | | | | | | | | | | | | | | | | | | | | | | | | | | | | | | | | | | | | | | | | | | | | | | | | | | | | |
| 47 | K0 | | Same as pins 43 through 45. | | | | | | | | | | | | | | | | | | | | | | | | | | | | | | | | | | | | | | | | | | | | | | | | | | | | | | | | | | | | |
| 48 THRU 53 | LCD16 THRU LCD11 | | Same as pins 1 through 10. | | | | | | | | | | | | | | | | | | | | | | | | | | | | | | | | | | | | | | | | | | | | | | | | | | | | | | | | | | | | |
| 54 | NC | | Same as pin 41. | | | | | | | | | | | | | | | | | | | | | | | | | | | | | | | | | | | | | | | | | | | | | | | | | | | | | | | | | | | | |
| <p>1-2-3. ON THE KEY MATRIX</p> <p>1) On The Key Matrix TABLE</p> <p>The key matrix of this set is configured as shown below.</p> <table border="1"> <thead> <tr> <th></th> <th>K3 (PIN 43)</th> <th>K2 (PIN 44)</th> <th>K1 (PIN 45)</th> <th>K0 (PIN 47)</th> </tr> </thead> <tbody> <tr> <td>KS3 (PIN 38) (PC3)</td> <td>PRESET 5 (S216)</td> <td>PRESET 4 (S215)</td> <td>PRESET 3 (S214)</td> <td>PRESET 2 (S213)</td> </tr> <tr> <td>KS2 (PIN 39) (PC2)</td> <td>PRESET 1 (S212)</td> <td>FM (S211)</td> <td>LW/MW (S210)</td> <td>SW (S209)</td> </tr> <tr> <td>KS1 (PIN 40) (PC1)</td> <td>ALARM (S208)</td> <td>CLOCK (S207)</td> <td>DOWN (S206)</td> <td>UP (S205)</td> </tr> <tr> <td>KS0 (PIN 42) (PC0)</td> <td>STANDBY (S204)</td> <td>KEY PROTECT (S203)</td> <td>SLEEP (S202)</td> <td>ON/OFF (S201)</td> </tr> <tr> <td>DAT-S (PIN 36) (PB1)</td> <td></td> <td></td> <td>FM/FM2* (JUMPER)</td> <td>MW1/MW2* (DIODE)</td> </tr> </tbody> </table> <p>* : initially set by diodes ** : alternate key no mark : momentary keys</p> | | | | | K3 (PIN 43) | K2 (PIN 44) | K1 (PIN 45) | K0 (PIN 47) | KS3 (PIN 38) (PC3) | PRESET 5 (S216) | PRESET 4 (S215) | PRESET 3 (S214) | PRESET 2 (S213) | KS2 (PIN 39) (PC2) | PRESET 1 (S212) | FM (S211) | LW/MW (S210) | SW (S209) | KS1 (PIN 40) (PC1) | ALARM (S208) | CLOCK (S207) | DOWN (S206) | UP (S205) | KS0 (PIN 42) (PC0) | STANDBY (S204) | KEY PROTECT (S203) | SLEEP (S202) | ON/OFF (S201) | DAT-S (PIN 36) (PB1) | | | FM/FM2* (JUMPER) | MW1/MW2* (DIODE) | | | | | | | | | | | | | | | | | | | | | | | | | | | | | | |
| | K3 (PIN 43) | K2 (PIN 44) | K1 (PIN 45) | K0 (PIN 47) | | | | | | | | | | | | | | | | | | | | | | | | | | | | | | | | | | | | | | | | | | | | | | | | | | | | | | | | | | | |
| KS3 (PIN 38) (PC3) | PRESET 5 (S216) | PRESET 4 (S215) | PRESET 3 (S214) | PRESET 2 (S213) | | | | | | | | | | | | | | | | | | | | | | | | | | | | | | | | | | | | | | | | | | | | | | | | | | | | | | | | | | | |
| KS2 (PIN 39) (PC2) | PRESET 1 (S212) | FM (S211) | LW/MW (S210) | SW (S209) | | | | | | | | | | | | | | | | | | | | | | | | | | | | | | | | | | | | | | | | | | | | | | | | | | | | | | | | | | | |
| KS1 (PIN 40) (PC1) | ALARM (S208) | CLOCK (S207) | DOWN (S206) | UP (S205) | | | | | | | | | | | | | | | | | | | | | | | | | | | | | | | | | | | | | | | | | | | | | | | | | | | | | | | | | | | |
| KS0 (PIN 42) (PC0) | STANDBY (S204) | KEY PROTECT (S203) | SLEEP (S202) | ON/OFF (S201) | | | | | | | | | | | | | | | | | | | | | | | | | | | | | | | | | | | | | | | | | | | | | | | | | | | | | | | | | | | |
| DAT-S (PIN 36) (PB1) | | | FM/FM2* (JUMPER) | MW1/MW2* (DIODE) | | | | | | | | | | | | | | | | | | | | | | | | | | | | | | | | | | | | | | | | | | | | | | | | | | | | | | | | | | | |

2) On The Initial-state Setting Diodes:

The FM-band frequency-coverage switching diode D202 and the MW-band channel-separation diode D203, i.e., the initial-state determining diodes are read only at the initial power-supply leading edge and at the moment when the CE (Chip Enable) terminal changes from "L" (low) to "H" (high) state. Diode D202 is solder bridge selected, and diode D203 is slide-switch selected by the MW CH STEP switch S218 as outlined below. Both of these selecting parts are installed on the key board. The solder bridging is factory selected for the specific destinations, and the MW CH STEP switch is selectable by the user from the battery compartment.

| KEY | FUNCTION | DESCRIPTION | | | | | | | | | |
|----------------------------------|--|---|------------------|----------|------------|----------------------|----------------|----------------------|--------|----------------|-------|
| FM1/FM2 (solder-bridge) | FM band frequency coverage change (D202) | FM-band frequency coverage can be changed as follows. | | | | | | | | | |
| | | <table border="1"> <thead> <tr> <th>Bridge condition</th> <th>Coverage</th> </tr> </thead> <tbody> <tr> <td>shorted</td> <td>87.50MHz - 108.00MHz</td> </tr> <tr> <td>opened</td> <td>76.00MHz - 108.00MHz</td> </tr> </tbody> </table> | Bridge condition | Coverage | shorted | 87.50MHz - 108.00MHz | opened | 76.00MHz - 108.00MHz | | | |
| Bridge condition | Coverage | | | | | | | | | | |
| shorted | 87.50MHz - 108.00MHz | | | | | | | | | | |
| opened | 76.00MHz - 108.00MHz | | | | | | | | | | |
| MW1/MW2 (MW CH STEP switch S218) | MW-band frequency coverage and channel separation changes (D203) | MW-band frequency coverage and channel separation can be changed as follows. | | | | | | | | | |
| | | <table border="1"> <thead> <tr> <th>S218</th> <th>Coverage</th> <th>Separation</th> </tr> </thead> <tbody> <tr> <td>shorted</td> <td>530kHz-1700kHz</td> <td>5 kHz</td> </tr> <tr> <td>opened</td> <td>531kHz-1602kHz</td> <td>3 kHz</td> </tr> </tbody> </table> | S218 | Coverage | Separation | shorted | 530kHz-1700kHz | 5 kHz | opened | 531kHz-1602kHz | 3 kHz |
| S218 | Coverage | Separation | | | | | | | | | |
| shorted | 530kHz-1700kHz | 5 kHz | | | | | | | | | |
| opened | 531kHz-1602kHz | 3 kHz | | | | | | | | | |

3) On The Alternate BUZZER Key (S220):

| KEY | FUNCTION | DESCRIPTION |
|--------|--|---|
| BUZZER | Buzzer output/radio output changeover (S220) | <p>a) When the ALARM switch S208 is turned on, the ALARM switch S220 determines either of the buzzer or radio output. When S220 is shorted, the buzzer output is obtained and the LCD displays "BUZZER". When S220 is turned to RADIO, "BUZZER" display disappears.</p> <p>b) The BUZZER-RADIO changeover can be made anytime. During the BUZZER on condition, however, the BUZZER-RADIO changeover (BUZZER to RADIO or RADIO TO BUZZER) cannot be performed, though the LCD display changes.</p> |

4) On the Momentary Keys:

As outlined above in 1), Key Matrix Table, there are 17 (seventeen) momentary key switches. These key switches work under the following four conditions.

- Always seeing the input conditions.
- When being pushed, each key performs its function as a most-new information, and all the previous operations cease.
- First in, first served. The duplicate key pressings one after another at a time are prohibited. When a second or third key is or are pressed while a first key is kept pressed, these second or third key or keys are neglected.
- When two or more than three keys are just simultaneously pressed, a function of higher priority key is selected.

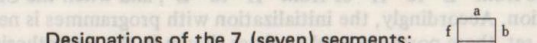
| KEY | FUNCTION | DESCRIPTION |
|---------------------------|--|--|
| PRESET 1 THROUGH PRESET 5 | To Designate A Preset Memory | These keys designate the number of the preset memory to be called and written. a) In case of calling a preset memory: Calls frequency data memorized in the PRESET memory designated by a key, and receives that frequency. In SW bands, the data for the meter band are also called. The LCD display displays "PRESET" and the preset-memory number. b) In case of writing a preset memory: When one of these PRESET keys is pressed while depressing the "ENTER" key, the frequency data of the receiving frequency are written in the designated or selected preset memory channel, and the display displays the "PRESET" and the memory number on it. These "PRESET" and memory number displays on the LCD disappear when the rotary encoder is rotated and the receiving frequency is changed, receiving band is changed or when the radio is turned off. |
| FM LW/MW SW | Band Change | When one of these keys is pressed, the receiving band becomes in that band pressed. And the receiving frequency becomes in the last channel memorized in the system. When the same band key is pressed as the band now receiving, the second pressing is neglected. |
| UP (⇧) DOWN (⇩) | Shortwave Meterband Change | The shortwave receiving spectrum is divided into 12 (twelve) broadcast bands. Each band up to 41-meter band is further divided into 104 channels, and each band up to 13-meter band is further divided into 128 channels. The 11-meter band is divided into 126 channel. a) When the "UP" key is pressed while receiving a shortwave band, the receiving band changes to the next higher band successively. When the SW12 (11-meter) band is reached, however, the band changes to the lowest band, i.e., SW1 (90-meter) band. The band indicator on the LCD moves appropriately each time the band is changed. b) When the "DOWN" key is pressed while receiving a shortwave band, the receiving band changes to the next adjacent lower band successively. When the SW1 (90-meter) band is reached, however, the band changes to the highest band, i.e., SW12 (11-meter) band. The band indicator on the LCD moves appropriately each time the band is changed. c) When the "UP" or "DOWN" key is kept depressed approximately for more than 500 msec, the band changes up or down to the adjacent band at an interval of approximately 250 msec until the lowest or the highest band is reached at which the band changing ceases. d) When the SW band is changed up and down, the receiver receives the same channel number allocated for this receiver as the last channel of the last band. When the band is changed from SW6 (31-meter) to SW5 (41-meter) and the receiving channel has been higher than the channel 104, however, the receiver receives the channel 104, i.e., the highest channel of these lower shortwave band group of this receiver. When the band is changed from SW12 (11-meter) to SW1 (90-meter) band and the receiving channel has been higher than the channel 102, the receiver receives the channel 102. |
| CLOCK | Clock Indication and Timer Setting | a) When the "CLOCK" key is pressed, the "CLOCK" indication goes on on the LCD and the present time is displayed on the LCD at the same time. When the "CLOCK"-key depression is released, these "CLOCK" and time displays disappear, and the displays go back to these ones which had been displayed prior to the "CLOCK"-key depression. b) Clock-timer setting is made by turning the "TUNING/TIME ADJ" knob with the "CLOCK" key kept depressed. The timer counter stops counting at the instance the time is set and the "second" resetting is made. c) Entries of other keys during the clock-time setting are prohibited. d) When the time coincides with the alarm time during the clock time setting, the set does not change its function. |
| ALARM | Alarm-time Indication and Alarm-time Setting | a) When the "ALARM" key is pressed, the "ALARM" indication goes on on the LCD and the present time is displayed on the LCD at the same time. When the "ALARM"-key depression is released, these "ALARM" and time displays disappear, and the displays go back to these ones which had been displayed prior to the "ALARM"-key depression. b) Alarm-time setting is made by turning the "TURNING/TIME ADJ" knob with the "ALARM" key kept depressed. c) Entries of other keys during the alarm-time setting are prohibited. d) When the time coincides with the clocktime during the alarm-time setting, the set does not change its function. |
| STANDBY | ON-OFF of Standby Condition | By pressing this key, cyclic or alternate on-off state of the standby condition is made. When the set is in the standby condition, the LCD displays the "STANDBY" on it. |

| KEY | FUNCTION | DESCRIPTION |
|--------------------|-------------------------------------|---|
| STANDBY (cont'd) | ON-OFF of Standby Condition | a) When the set is in the not-standby condition, the set does not change its present state even when the clock time and alarm time coincide with each other. b) When the set is in the standby condition, the alarming operation acts when the clock time coincides with the alarm time. When the "ALARM" switch has been set to the "BUZZER" side, the set outputs the alarming tone for the sleep period of approximately 65 minutes. When the "KEY PROTECT" is on in this condition, the alarm is released. When the "ALARM" switch S220 has been set to the "RADIO" side in the above condition, the set turns its radio on for the sleep period of approximately 65 minutes. c) When the "ON/OFF" (ALARM OFF) switch S201 is pressed during the set is outputting the alarm sound, the set turns the alarm function off, and thus turns the radio off. However, the set does not turn the standby function off. When the "STANDBY" key is pressed in the above condition, both the standby and alarm functions are turned off, and thus the radio is turned off. d) During the radio-alarm condition with the "ALARM" switch S220 set to the "RADIO" side, all of the radio functions becomes in the same as when the radio is simply turned on. When the "ON/OFF" switch S201 is pressed, the set turns the alarming function off, and also turns the radio off. When the "STANDBY" key is pressed in the above condition, the set turns the alarm and standby functions off, and also turns the radio off. e) The alarm function acts regardless of the conditions of radio on/off and during the alarm or sleep operation, and the LCD displays "SLEEP" on it. In any mode with the "MAIN POWER" switch S219 turned on, the LCD displays "SLEEP" on it when the "SLEEP" key is pressed, and the set becomes in the sleep operation. The set turns off after the sleep operation of 65 minutes. In this condition, the "SLEEP" display disappears from the LCD, and the sleep operation turns off or is released. a) When the "SLEEP" key is pressed in the radio-off state, the radio turns on first and then the sleep function is initiated. b) When the "SLEEP" key is re-pressed in the sleep operation, the sleep time should be re-set. When the "SLEEP" key is pressed in the alarm operation, the alarm function is turned off and the sleep operation becomes effective. c) When the "ON/OFF (ALARM OFF)" key is pressed during the sleep operation, the sleep operation is released or turns off, and the radio turns off. |
| SLEEP | Sleep-time Setting | The key protection is made by using the "KEY PROTECT" key. The on and off of the key-protection state is made available cyclically as the "KEY PROTECT" key is pressed successively. When the "KEY PROTECT" key is pressed and the key mark is displayed on the LCD, no other key entries including the "TUNING" control (rotary encoder) are accepted than the "KEY PROTECT" key. This IC, however, accepts the switching at the CE terminal, pin 27. When the CE terminal is turned off, i.e., the "MAIN POWER" switch S219 is turned off, the key protection is also turned off. |
| KEY PROTECT | Key Protection | The on and off of the radio is made effective cyclically by pressing the "ON/OFF (ALARM OFF)" key successively. When the radio is turned on, the set receives the frequency written in the last-channel location in the memory. When the radio is turned off, this IC writes the band and frequency of now receiving in the last-channel location in its internal memories, and the display on the LCD changes from the frequency to the time of the present, i.e., of the instance the ON/OFF key is just pressed. |
| ON/OFF (ALARM OFF) | Radio On-Off, (Alarm Off) Switching | |

1-2-4. DESCRIPTION ON DISPLAYING FUNCTION

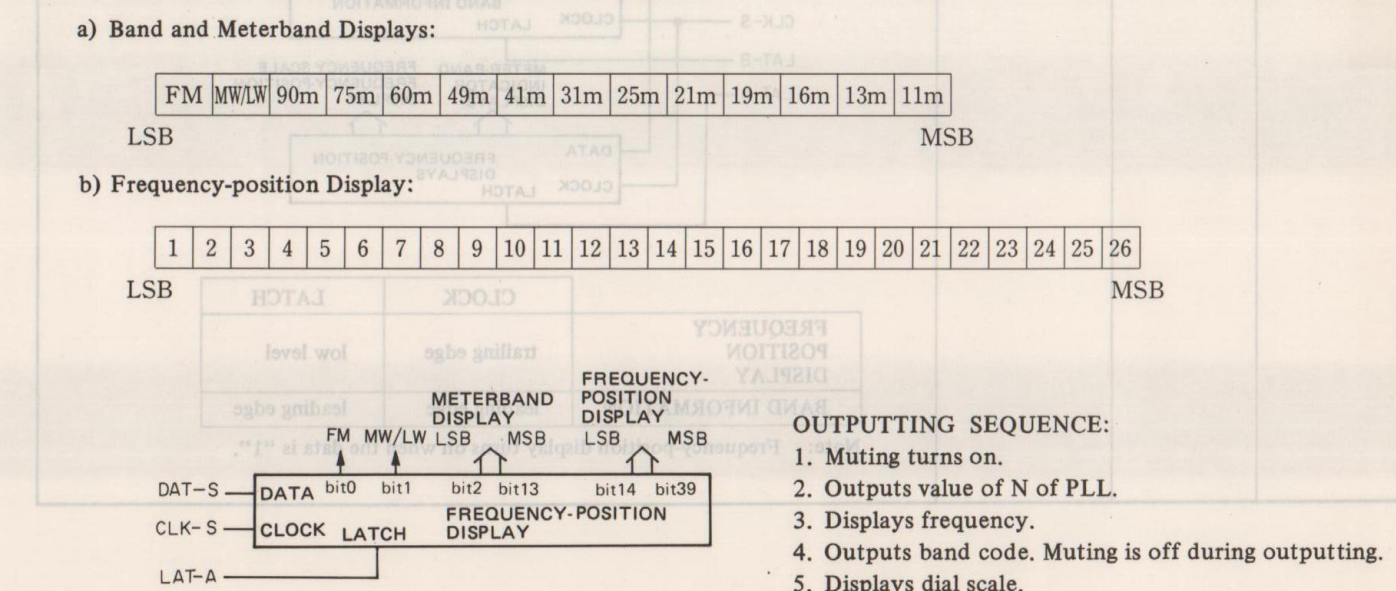
1) Format of the Output Signals for the LCD:
The following table shows the LCD segment/common output signals in conjunctions with the figures and letters on the LCD panel.

| PIN No. | SYMBOL | FUNCTION | | | FIGURES/LETTERS DISPLAYED | | |
|---------|--------|----------------|----------------|----------------|---------------------------|-------------|-------------|
| | | COM 3 | COM 2 | COM 1 | | | |
| 13 | COM1 | | | | | | |
| 12 | COM2 | | | | | | |
| 11 | COM3 | | | | COM 3 | COM 2 | COM 1 |
| 10 | LCD1 | c _A | b _A | a _A | 5 | 3 | 2 |
| 9 | LCD2 | d _A | g _A | f _A | 4 | 1 | MEMORY |
| 8 | LCD3 | e _A | g _B | e _B | | | CLOCK ALARM |
| 7 | LCD4 | b _B | f _B | b _S | kHz | MHz | |
| 6 | LCD5 | e _S | g _S | f _S | NOTE 1 (FM-50kHz) | | |
| 5 | LCD6 | c _S | b _S | a _S | | | |
| 4 | LCD7 | d _S | g _S | f _S | (FM-0.1MHz) | | |
| 3 | LCD8 | a ₇ | e ₆ | b ₄ | | | |
| 2 | LCD9 | c ₄ | g ₄ | a ₄ | (FM-1MHz) | | |
| 1 | LCD10 | d ₄ | e ₄ | f ₄ | | | |
| 53 | LCD11 | d ₇ | b ₂ | d ₅ | : | | |
| 52 | LCD12 | c ₂ | g ₂ | a ₂ | | | |
| 51 | LCD13 | d ₂ | e ₂ | f ₂ | (FM-10MHz) | | |
| 50 | LCD14 | c ₀ | b ₀ | a ₀ | (FM-100MHz) | | NOTE 2 |
| 49 | LCD15 | b ₁ | c ₅ | a ₅ | ON | OFF | STANDBY |
| 48 | LCD16 | e ₁ | g ₁ | f ₁ | BUZZER | KEY PROTECT | SLEEP |



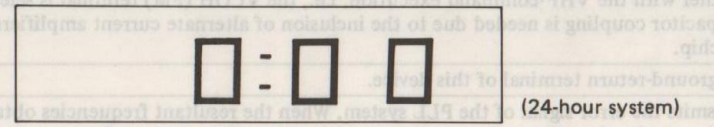
NOTE 1: The segment f_B is also connected to the displaying segments a, c and d.
NOTE 2: The segment a₀ is also connected to the displaying segments d, e and g.

2) Description On the External LCD Displays:
The frequency-position information is output to the external LCD display in the manner of serial data by utilizing the LAT-A, DAT-S and CLK-S signals. The external LCD displays of the SW indication, meterband and the frequency are, in turn, made by the LCD driver incorporating the shift registers.



1-2-5. INITIAL-STATE SETTING

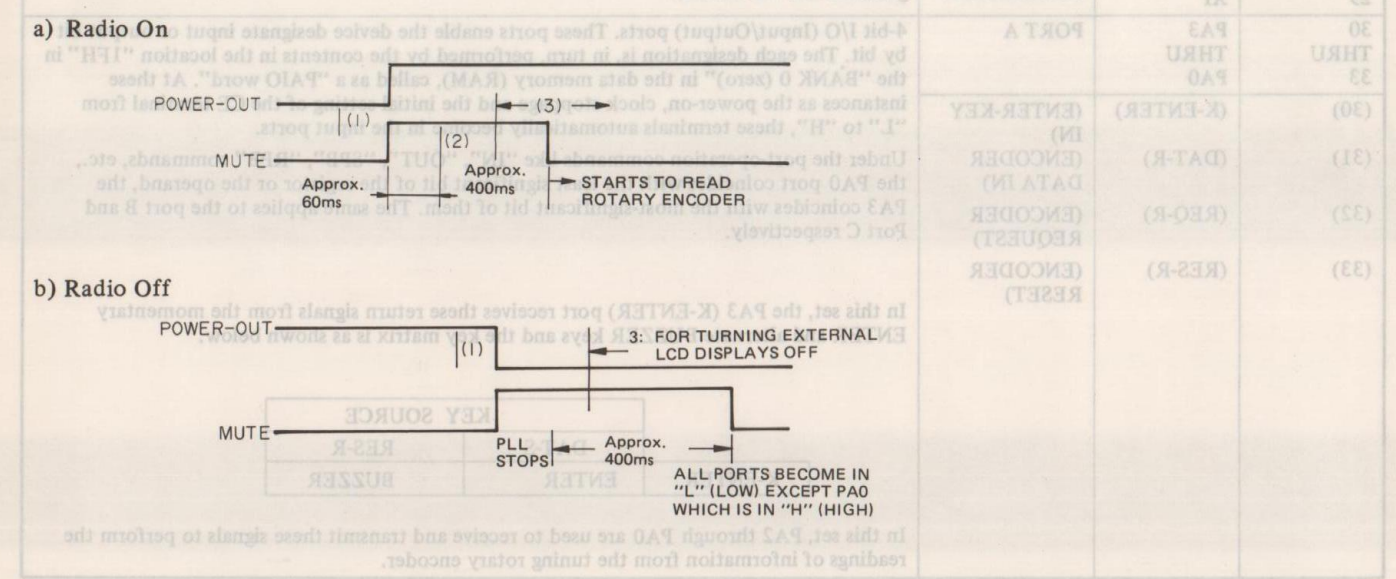
1) Initial Power-on Setting:
VDD = 0 V → 3.0 V, CE = Low → High
The power-supply is reset after performing the initial power-on setting, and the following operations are made.
a) The power-out terminal becomes in "L" (low) state, i.e., power off, and reads the initial-state setting diodes.
b) Initializes the preset-memories contents of each band (FM, SW or MW) to its lowest frequency. In case of SW band, to that of the 90-meter band.
c) Initializes the last-channel memories contents of each band (FM, SW or MW) to its lowest frequency. To that of the 90-meter band in case of SW band.
d) Sets the clock and alarm time to "0:00", and resets the "second" starting.
e) Outputs the serial data to turn off all the frequency displays from the LCD, and the LCD displays the following clock display.



2) Backup Condition:
CE = Low
The backup state is made when the CE terminal becomes in "L" (low) state. In the backup state, the program routines are intermittently performed to eliminate the current drain by using the "HALT" command. The operation routine is as follows.
a) The PLL is disabled.
b) All the ports are made into "L" (low) state.
c) All the external LCD displays are turned off except the clock display.
Note: The same operations are made in the radio-off state when CE is "H" (high). In this condition, however, only PA0 is "H" (high), i.e., it is seeing the buzzer switch.

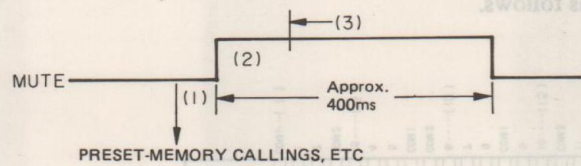
1-2-6. MUTING-OUTPUT TIMINGS

1) MUTE-OUTPUT
The muting-output timings are classified as follows.
1) Approximately 15 (fifteen) ms chattering waiting time at key-on instance.
2) Range checkings and N-value calculation, and the PLL-data outputting.
3) Data-transferring periods to the LCD display data and to the external LCD displays, key-off detections and the CE-terminal checking.

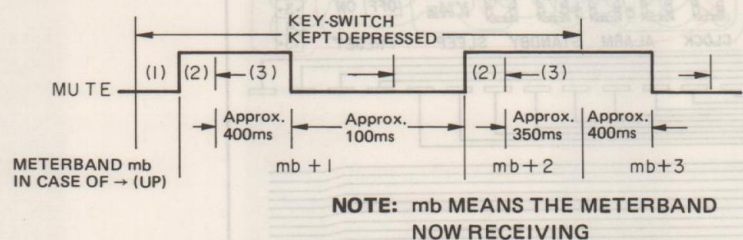


c) Preset-memory Callings, Band Changings and Meterband Changings:

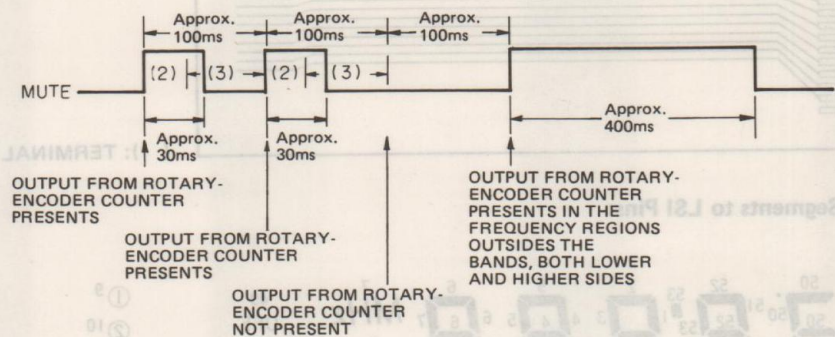
c-1) One-time Key Hitting:



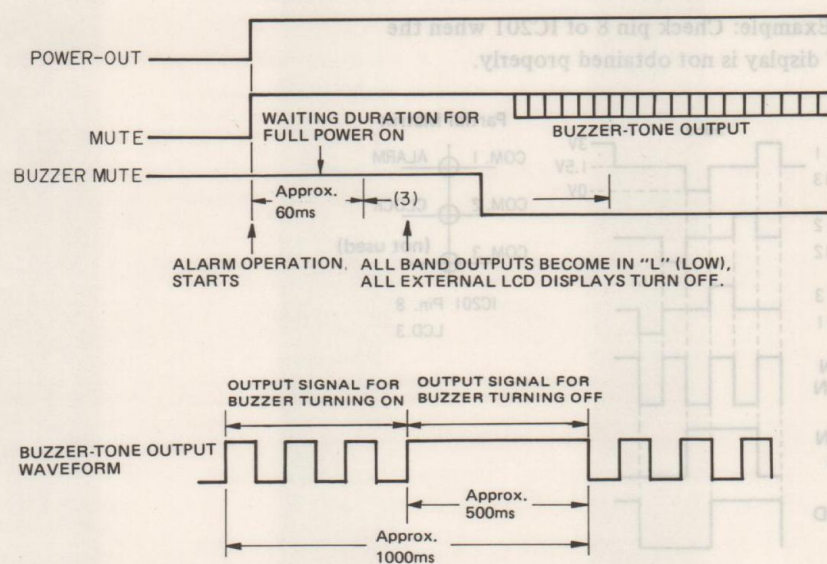
c-2) Meterband Changings with ← or → Switch Kept Depressed (Continuous/Successive Changings)



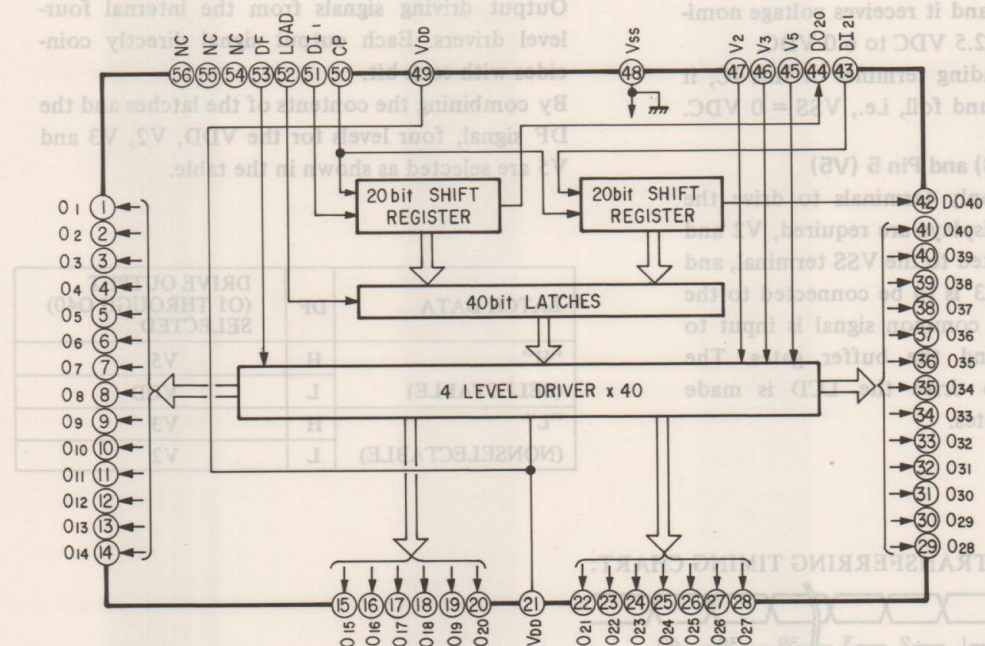
d) Station Selection with Rotary Encoder:



e) Power On by Alarm Operation



1-3. OUTLINE OF TERMINALS OF THE LCD DOT-MATRIX SEGMENT DRIVER IC202, MSM5259GS



- **Pin 51 (DI1)**
Receives data from the shift register of the first through twentieth bit, and accepts display data synchronizing with the clock signal in accordance with the truth values.
- **Pin 50 (CP)**
Receives the clock pulse of the shift registers, and the data are shifted at the trailing edge of the clock pulses. A setting-up and holding durations are required in between the DI1 mentioned above and this signal CP. The risetime and the falltime of the clock pulse are to be less than 1 μ sec.
- **Pin 44 (DO20)**
Transmits the twentieth bit of the shift register. Data received at the DI1 mentioned above are transmitted from this terminal being delayed with the duration of twenty bits of the shift register and, at the same time, synchronized with the clock pulse. When this terminal is connected to the DI21 terminal, pin 43, a 40-bit shift register is made.
- **Pin 43 (DI21)**
Receives data of twenty-first through forty-first bits of the shift register. When this terminal is connected to the DO20 terminal, pin 44, as mentioned above, a 40-bit shift register is made.
- **Pin 42 (DO40)**
Transmits the fortieth bit of the shift register. Data received at the DI21 mentioned above are transmitted from this terminal being delayed with the duration of twenty bits of the shift register and, at the same time, synchronized with the clock pulse. When an expansion of handling the numbers of characters is needed, a cascading connection to the next stage is required.
- **Pin 53 (DF)**
Receives a signal to accommodate the alternating-current synchronization for the waveforms of the LCD-driving signals.
- **Pin 52 (LOAD)**
Input terminal to latch the contents of the shift register. In the high ("H") conditions, the contents in the shift register are transferred through the level shifter to the four level drivers. In the low ("L") state on the contrary, this terminal retains the last data of them in the high ("H") state, and thus the outputs from terminals 01 through 040 do not change even when the contents in the shift registers are changed.

● Pin 49 (VDD) and Pin 48 (VSS):

Pin 49 (VDD) is the power-supply voltage input terminal of this IC, and it receives voltage nominally in the range of 2.5 VDC to 6.0 VDC. Pin 48 is the grounding terminal of this IC, it connects to the ground foil, i.e., VSS = 0 VDC.

● Pin 7 (V2), Pin 6 (V3) and Pin 5 (V5)

The bias-voltage supply terminals to drive the LCD. When static displays are required, V2 and V5 are to be connected to the VSS terminal, and at the same time, V3 is to be connected to the VDD terminal. The common signal is input to the DF terminal and the buffer gates. The COMMON signal to drive the LCD is made through the buffer gates.

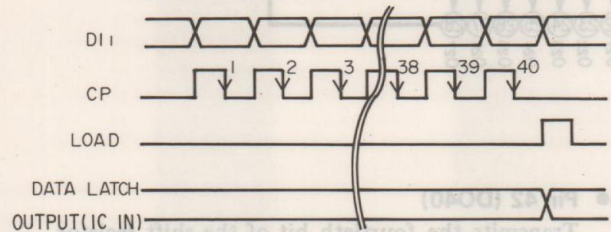
● Pins 1 through 20 (O1 through O20) and Pins 22 through 41 (O20 through O40):

Output driving signals from the internal four-level drivers. Each output signal directly coincides with each bit. By combining the contents of the latches and the DF signal, four levels for the VDD, V2, V3 and V5 are selected as shown in the table.

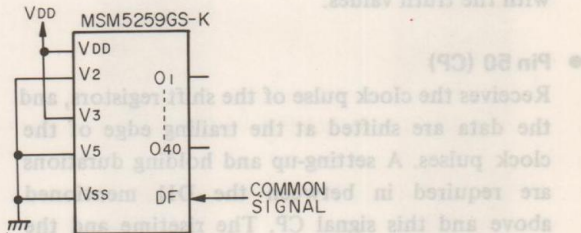
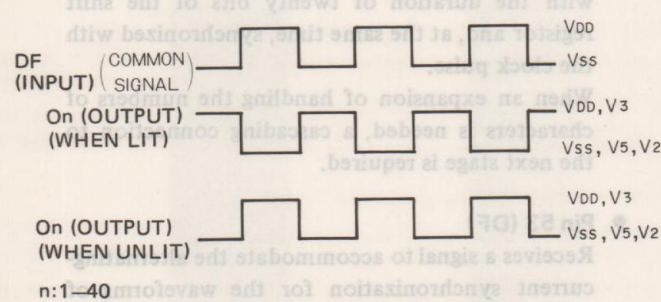
| LATCH DATA | DF | DRIVE OUTPUT (O1 THROUGH O40) SELECTED |
|-----------------|----|--|
| "H" | H | V5 |
| (SELECTABLE) | L | VDD |
| "L" | H | V3 |
| (NONSELECTABLE) | L | V2 |

TIMING CHARTS

DATA-TRANSFERRING TIMING CHART:

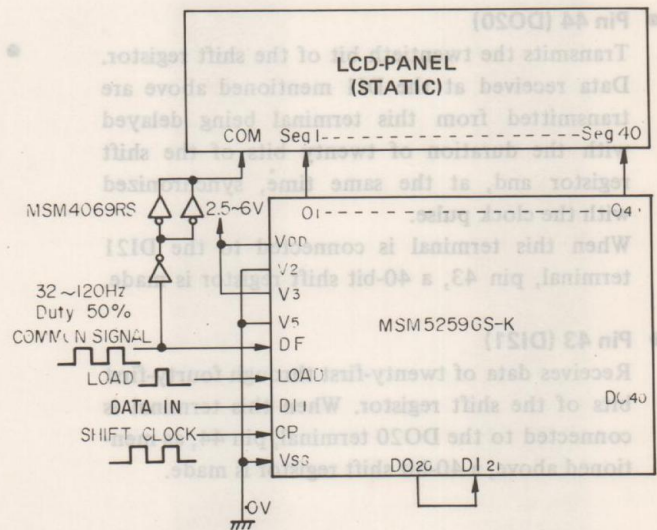


TIMING CHART IN STATIC FORM:



PARTIAL DISPLAYING CIRCUIT (EXAMPLE)

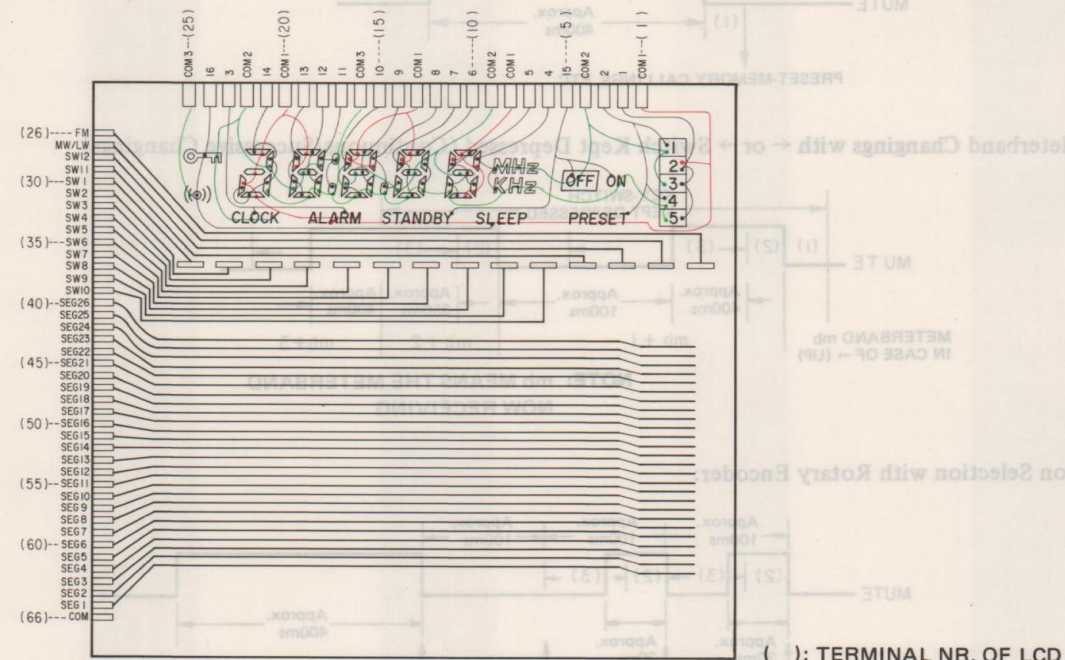
In case of the statical display, LCD-drive bias supplies V2 and V5 are to be connected to VSS, and further, V3 is connected to VDD terminal. Then, the common signal is input to the DF terminal, and also input to the common terminal of the LCD panel through the buffer gates.



1-4. ON THE NEW LCD PANEL, LCD1

This radio uses a new liquid-crystal display panel incorporating dial pointer itself, band indicator, ordinal frequency and clock indicators, etc. The outline of this LCD is as follows.

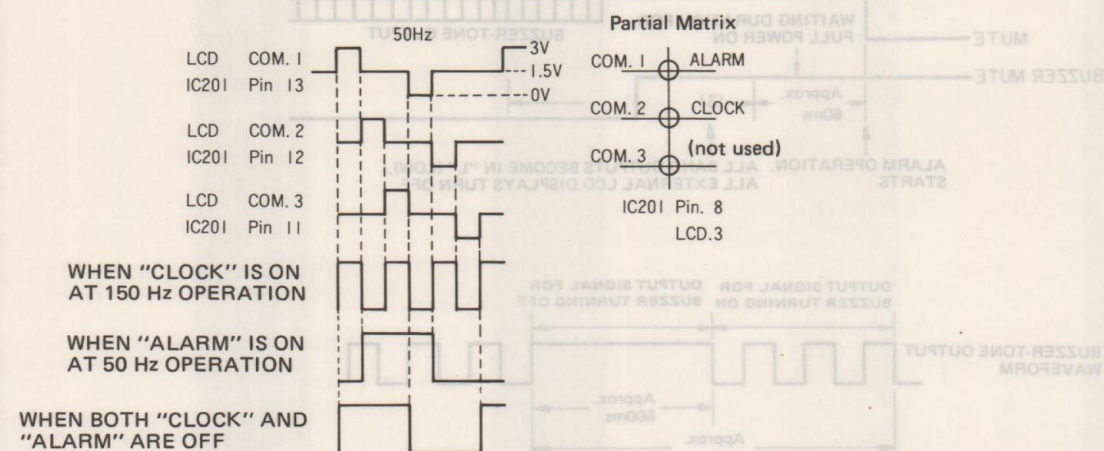
1) Outline of Pinouts:



2) Relationship of LCD Segments to LSI Pins:



Checking Example: Check pin 8 of IC201 when the "CLOCK" display is not obtained properly.



3) Dial-pointer Movement:

The LCD dial pointer moves up or down as the TUNING knob is rotated in 24 kHz in LW band, 20 kHz in SW1 thru SW6, 25 kHz in SW7 thru SW12 and in 1.3 MHz step in FM band except these upper and lower band edges at where the pointer moves irregularly as in the MW band.

SECTION 2
ELECTRICAL ADJUSTMENTS

PREPARATIONS:

Controls and switches should be set as follows unless otherwise noted.

- POWER switch: ON
- MAIN POWER switch: ON
- TONE switch: as required
- All key switches: as directed
- VOLUME control: as required

CLOCK-FREQUENCY ADJUSTMENT

NOTE: This adjustment is needed to these sets bearing serial numbers up to 7901.

These sets bearing serial numbers 7902 and up are not equipped with the adjustment trimmer.

Refer to the mounting and schematic diagrams.

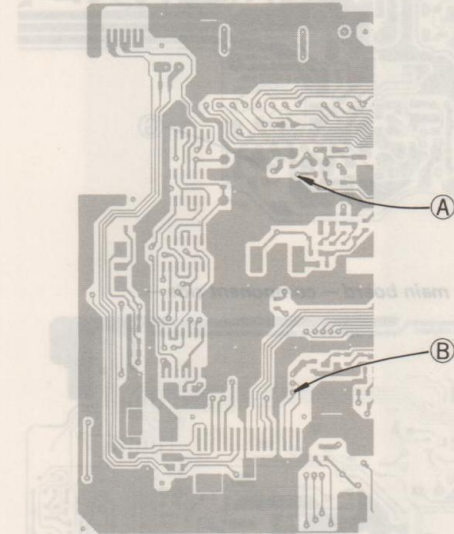
MAIN POWER SWITCH: ON

POWER SWITCH: ON

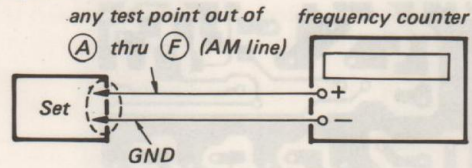
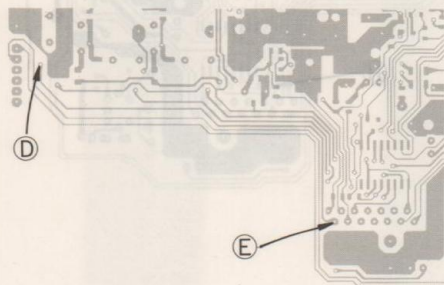
BAND: MW/LW

FREQUENCY: 150 kHz

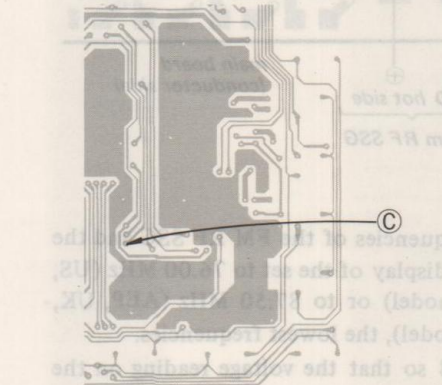
Key board —component side—



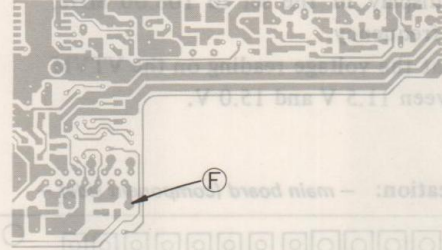
main board



key board —jumper-foil side—



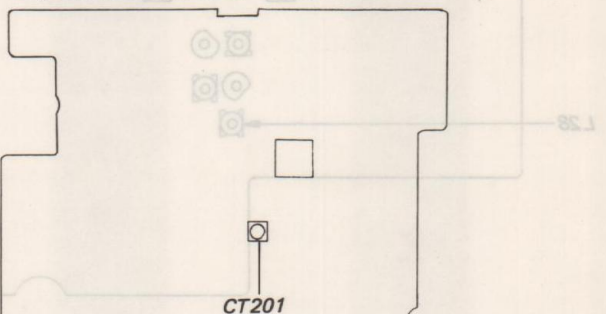
main board



Procedure:

1. Adjust CT201 so that the reading on the frequency counter becomes in 10.860000 MHz (10.710 MHz + 0.150 MHz).
2. Hit the FM button. The band should become in FM and the frequency on the LCD panel of the set should be 76.00 MHz (US, Canadian model) or 87.5 MHz (AEP, UK, E, AUS) model.
3. Hit the SW button. The band should become in the SW1 and the frequency on the LCD panel of the set should be 3,050 kHz.

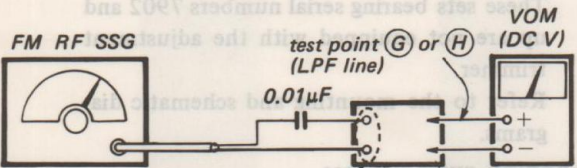
Adjustment Location: — key board —



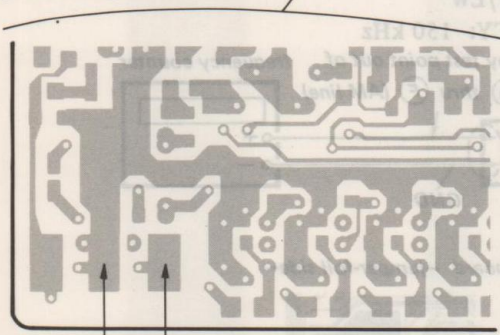
FM FREQUENCY-COVERAGE (VCO VOLTAGE) ADJUSTMENT

Setup:

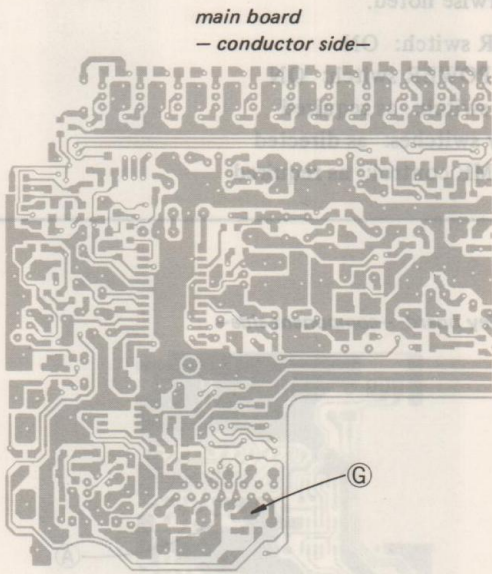
Band: FM



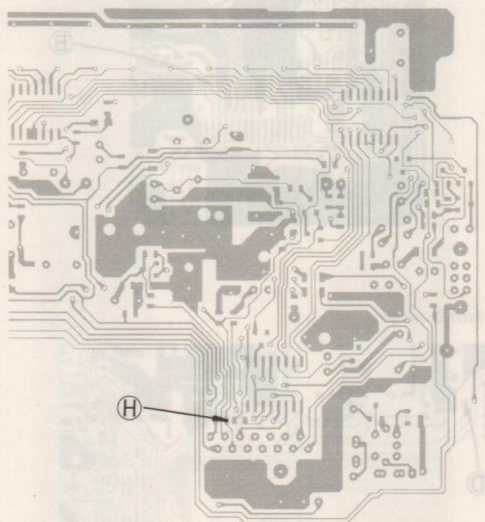
frequency deviation:
±22.5 kHz
by 400 Hz signal



main board
(conductor side)
GND hot side
from RF SSG



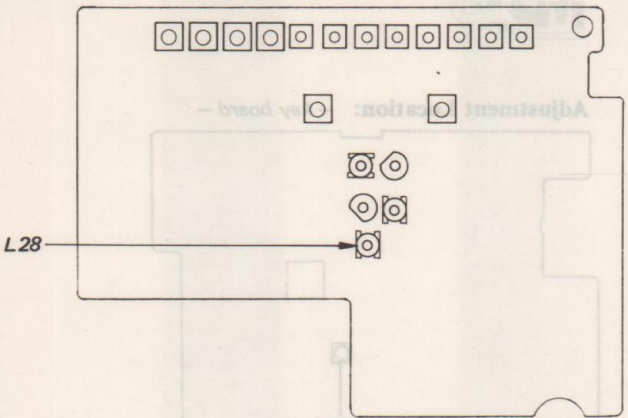
main board - component side -



Procedure:

1. Set the frequencies of the FM RF SSG and the frequency display of the set to 76.00 MHz (US, Canadian model) or to 87.50 MHz (AEP, UK, E, AUS, model), the lowest frequencies.
2. Adjust L28 so that the voltage reading on the VTVM becomes in $2.5 \text{ V} \pm 0.1 \text{ V}$.
3. Set the frequencies of the FM RF SSG and the frequency display of the set to 108.00 MHz, the highest frequency.
4. Confirm that the voltage reading on the VTVM is now between 11.5 V and 15.0 V.

Adjustment Location: - main board (component side) -

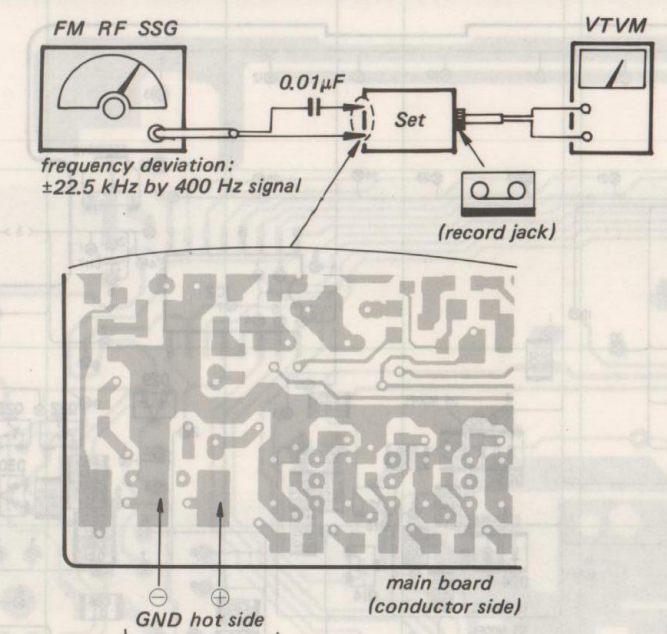


SECTION 3
DIAGRAMS

FM TRACKING ADJUSTMENT

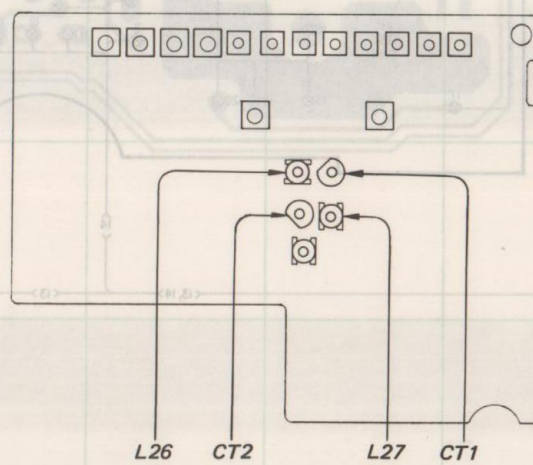
NOTE: This adjustment should be performed after the FM FREQUENCY-COVERAGE ADJUSTMENT.

Setup:
Band: FM

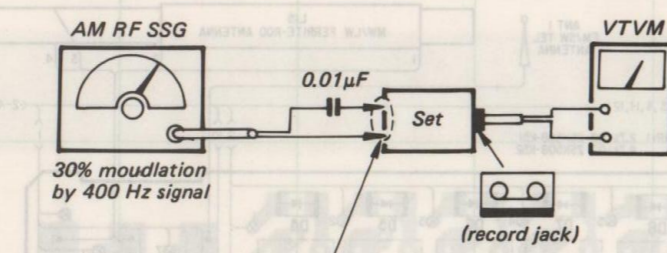


- Procedure:
1. Set the frequencies of the FM RF SSG and the frequency display of the set to 76.00 MHz (US, Canadian) or to 87.50 MHz (AEP, UK, E, AUS) the lowest frequency.
 2. Adjust L26 and L27 to obtain a maximum output level on the VTVM.
 3. Set the frequencies of the FM RF SSG and the frequency display of the set to 108.00 MHz, the highest frequency.
 4. Adjust CT1 and CT2 to obtain a maximum output level on the VTVM.
 5. Repeat the above steps several times, and finish the adjustment with the trimmers CT1 and CT2.

Adjustment Location: — main board (component side) —



AM I-F ADJUSTMENT



② AM 1st I-F ADJUSTMENT

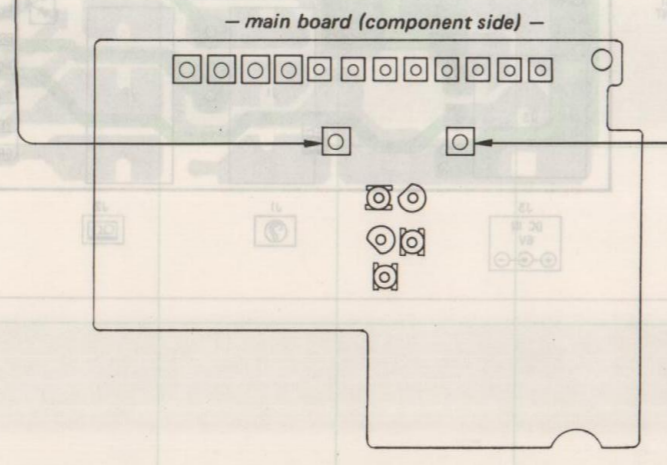
Adjust for a maximum reading on the VTVM.

| |
|----------------------|
| Band: SW1 |
| Frequency: any place |
| 10.71 MHz |
| T1 |

① AM 2nd I-F ADJUSTMENT

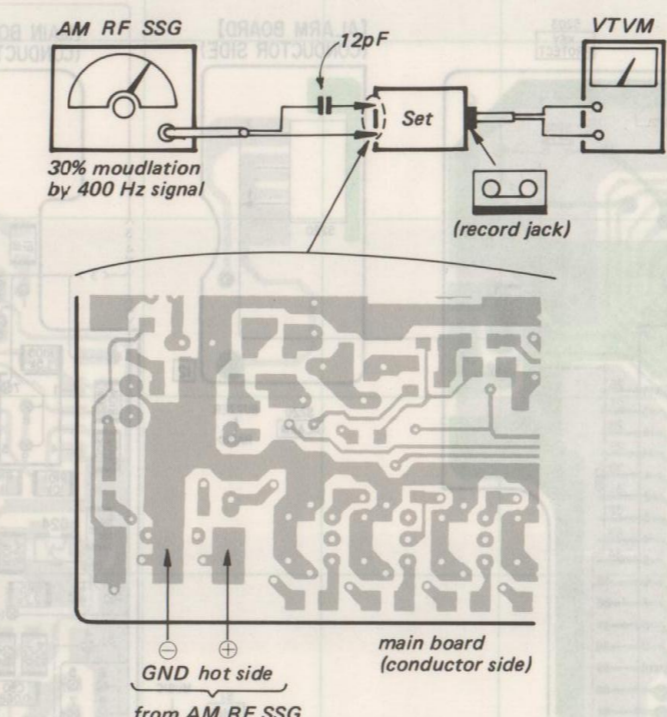
Adjust for a maximum reading on the VTVM.

| |
|--------------------|
| Band: MW/LW |
| Frequency: 150 kHz |
| 455kHz |
| T2 |



SW TRACKING ADJUSTMENT

Setup:
Band: SW1 thru SW12



Procedure and Adjustment Location:

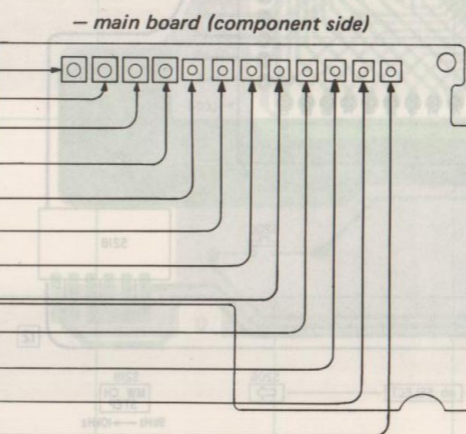
1. Check and verify the VCO voltages on the LPF line at both the lowest and highest frequency points as shown. See page 20 for the LPF line.

| LOW ENDS | HIGH ENDS |
|-------------------|---------------------|
| VCO(L) : 150kHz | VCO(L) : 7,465kHz |
| VCO(H) : 9,375kHz | VCO(H) : 21,960 kHz |
| 1.50~2.00V | 12.5~15.5V |

VCO(L) : MW/LW~SW5, SW12
VCO(H) : SW6~SW11

Adjust for a maximum reading on the VTVM.

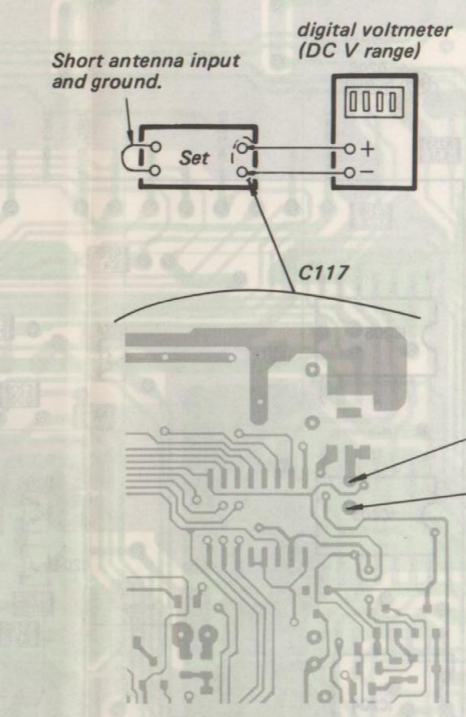
| | |
|----------------|-----|
| SW1 3,300kHz | L2 |
| SW2 3,950kHz | L3 |
| SW3 4,900kHz | L4 |
| SW4 6,050kHz | L5 |
| SW5 7,200kHz | L6 |
| SW6 9,700kHz | L7 |
| SW7 11,850kHz | L8 |
| SW8 13,700kHz | L9 |
| SW9 15,300kHz | L10 |
| SW10 17,800kHz | L11 |
| SW11 21,600kHz | L12 |
| SW12 25,800kHz | L13 |



AM AGC ADJUSTMENT

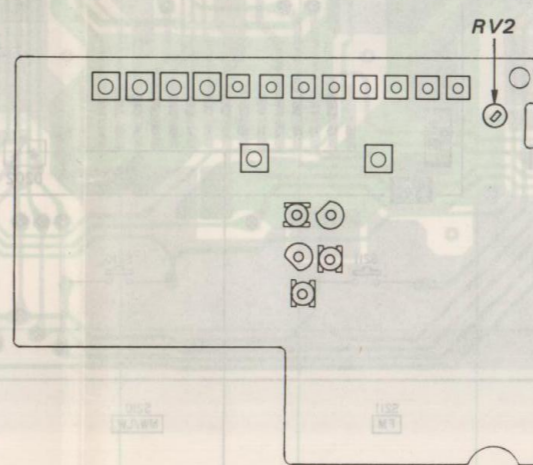
NOTE: This adjustment is needed only for the set bearing these serial numbers 7902 and up. The adjustment control RV2 is not equipped in these sets bearing the serial numbers up to 7901.

Setup:
Band: SW1



Procedure:
Adjust RV2 to obtain a 1.275 V (±0.003 V) on the digital voltmeter.

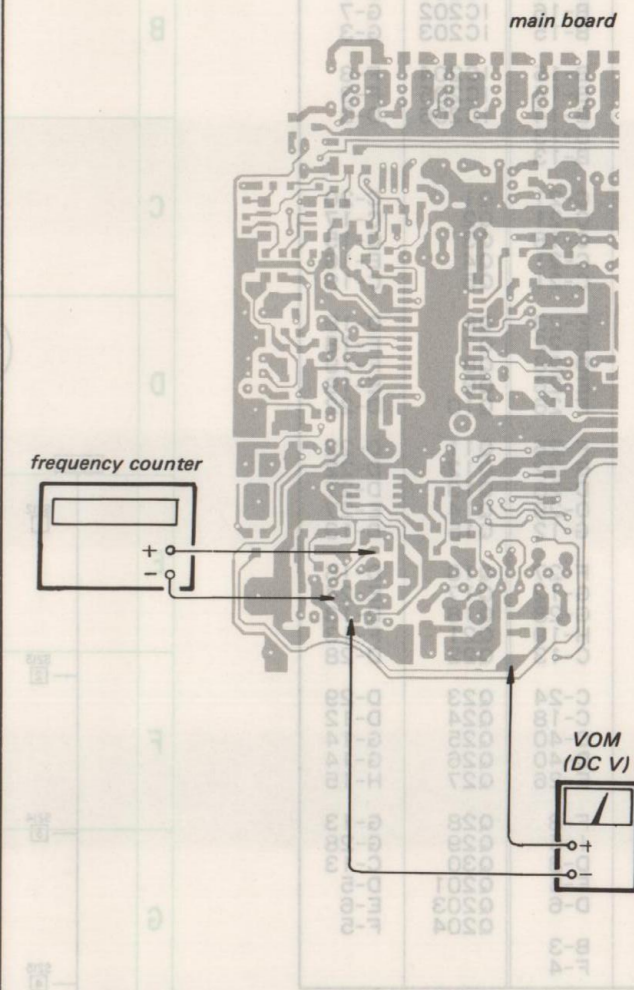
Adjustment Location: — main board (component side) —



DC-DC CONVERTER CHECK

Setup:
MAIN POWER switch: ON
POWER switch: ON

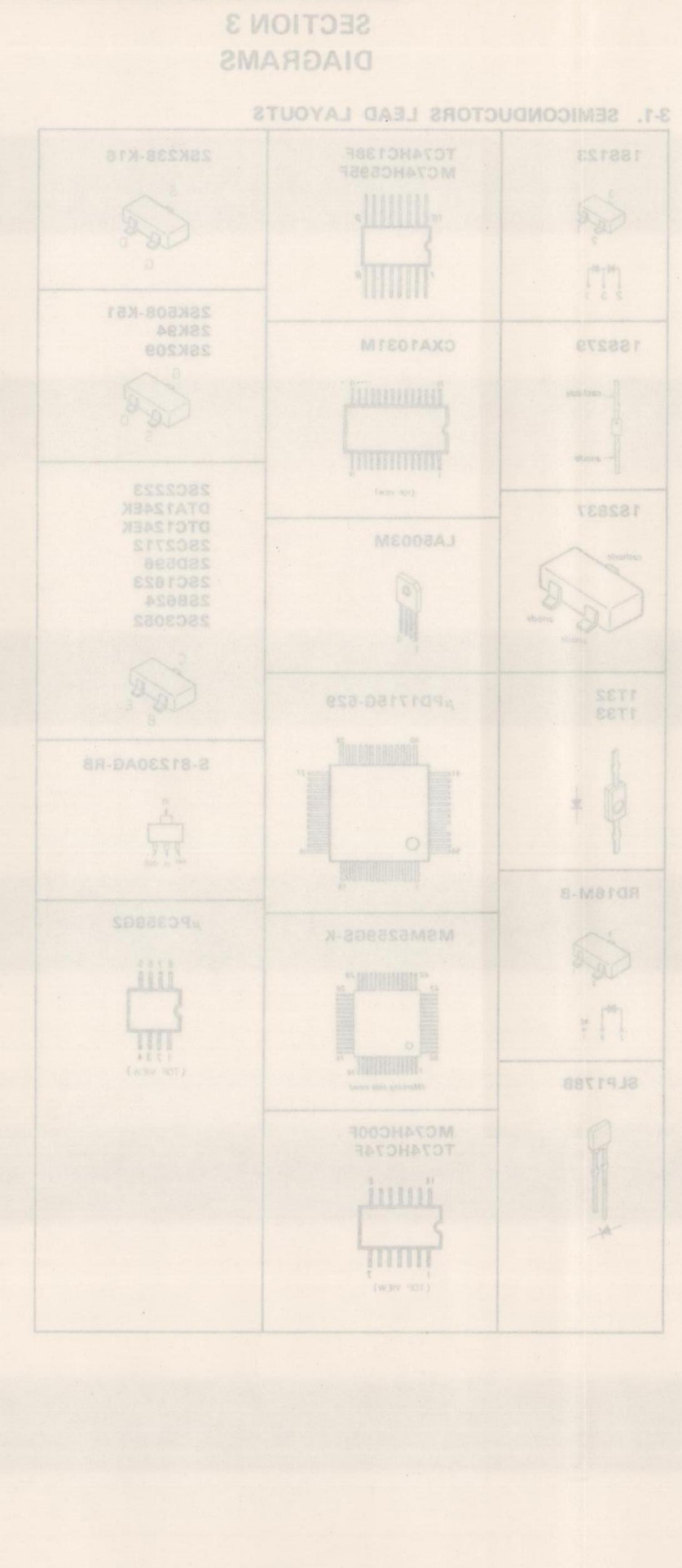
Procedure



Specification:
frequency: 1,750 kHz to 1,900 kHz
DC voltage: 16.5 V to 17.5 V

3-1. SEMICONDUCTORS LEAD LAYOUTS

| | | |
|--------------|--------------------------|--|
| 1SS123 | TC74HC138F MC74HC595F | 2SK238-K16 |
| 1SS279 | CXA1031M | 2SK508-K51 2SK94 2SK209 |
| 1S2837 | LA5003M | 2SC2223 DTA124EK DTC124EK 2SC2712 2SD596 2SC1623 2SB624 2SC3052 |
| 1T32 1T33 | µPD1715G-529 | S-81230AG-RB |
| RD16M-B | MSM5259GS-K | µPC358G2 |
| SLP178B | MC74HC00F TC74HC74F | |



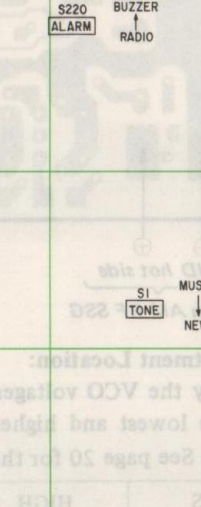
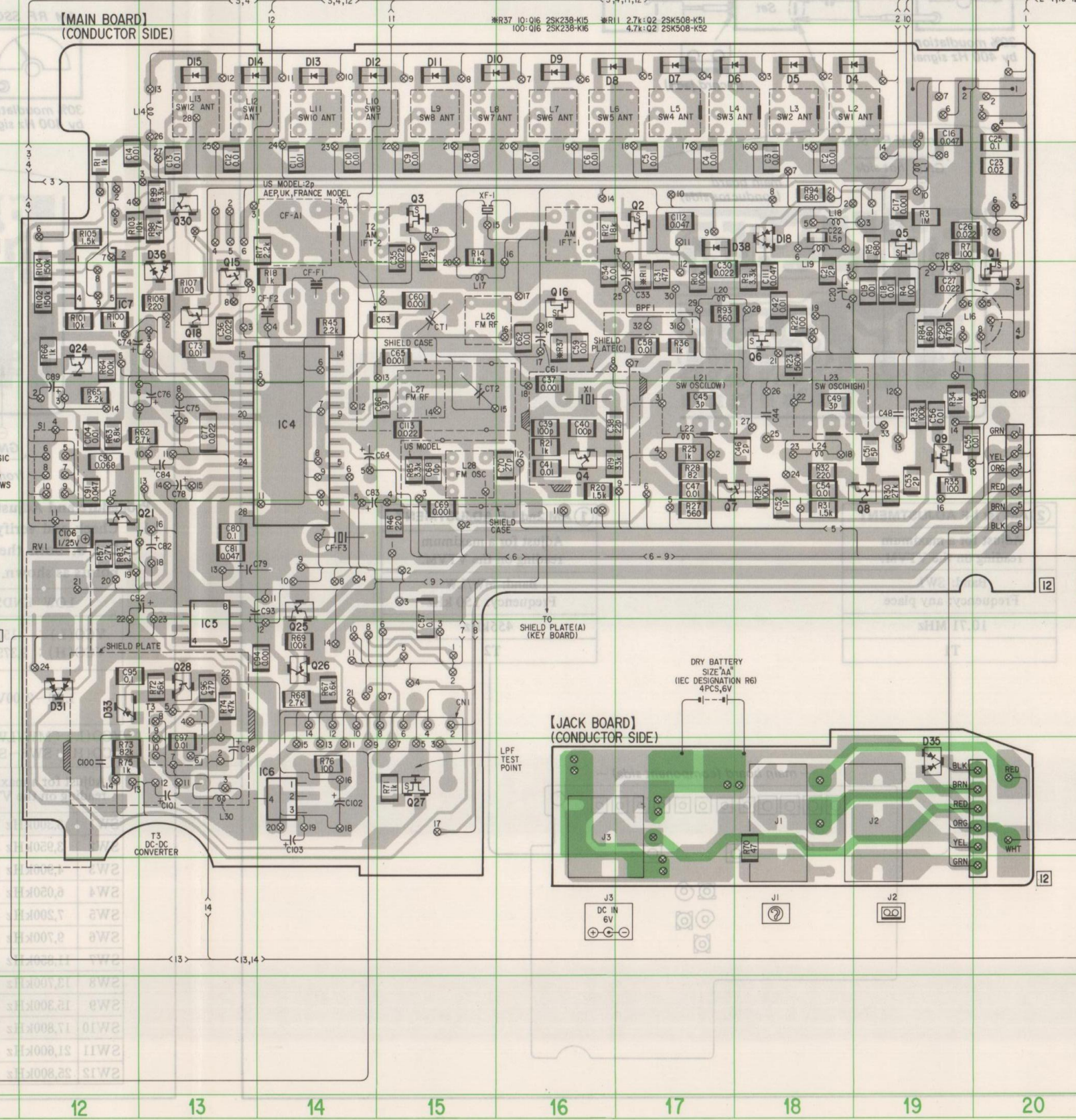
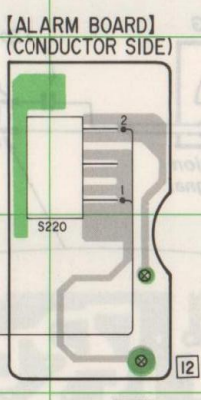
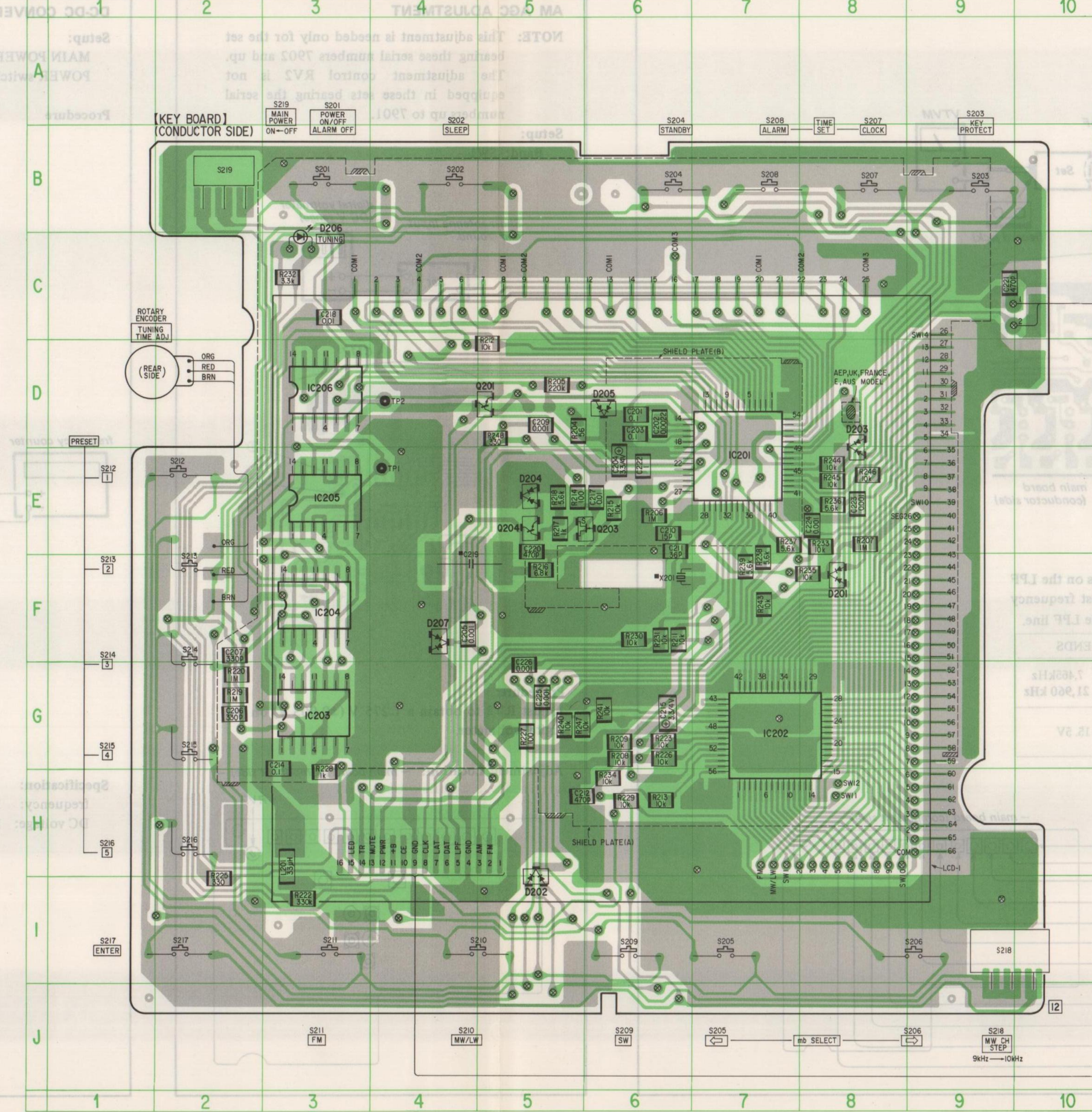
SEMICONDUCTOR LOCATION

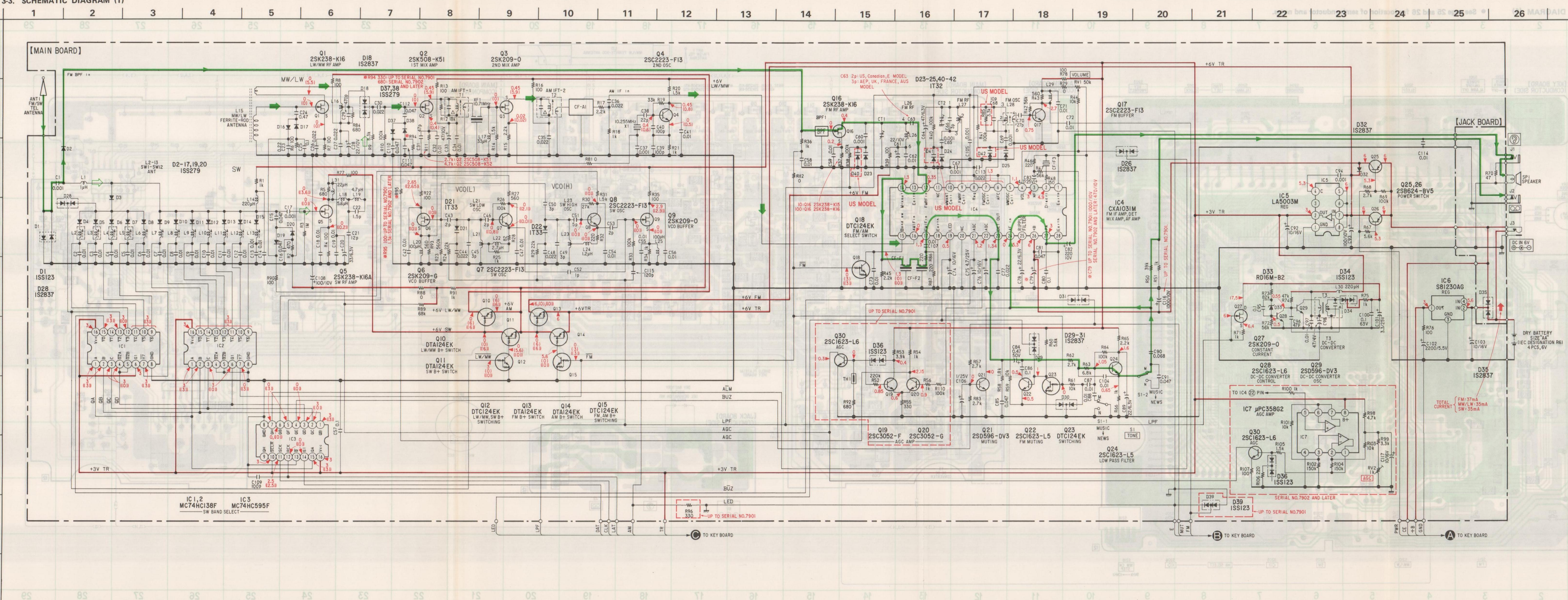
| Ref.No. | Location | Ref.No. | Location |
|---------|----------|---------|----------|
| D1 | B-21 | IC1 | C-23 |
| D2 | C-22 | IC2 | C-28 |
| D3 | B-22 | IC3 | G-14 |
| D4 | B-18 | IC4 | F-14 |
| D5 | B-18 | IC5 | G-13 |
| D6 | B-17 | IC6 | H-14 |
| D7 | B-17 | IC7 | D-12 |
| D8 | B-16 | IC201 | F-7 |
| D9 | B-16 | IC202 | G-7 |
| D10 | B-15 | IC203 | G-3 |
| D11 | B-15 | IC204 | F-3 |
| D12 | B-14 | IC205 | T-3 |
| D13 | B-14 | IC206 | D-3 |
| D14 | B-13 | | |
| D15 | B-13 | | |
| D16 | C-21 | Q1 | C-20 |
| D17 | C-21 | Q2 | C-17 |
| D18 | C-18 | Q3 | C-15 |
| D19 | C-21 | Q4 | F-16 |
| D20 | C-21 | Q5 | C-19 |
| D21 | F-23 | Q6 | D-18 |
| D22 | F-23 | Q7 | F-10 |
| D23 | F-26 | Q8 | F-19 |
| D24 | F-26 | Q9 | D-22 |
| D25 | F-26 | Q10 | D-22 |
| D26 | F-26 | Q11 | D-22 |
| D28 | B-22 | Q12 | D-22 |
| D29 | D-28 | Q13 | D-27 |
| D30 | D-29 | Q14 | D-27 |
| D31 | G-12 | Q15 | D-13 |
| D32 | F-27 | Q16 | D-16 |
| D33 | G-12 | Q17 | F-24 |
| D34 | G-28 | Q18 | D-13 |
| D35 | T-19 | Q21 | T-13 |
| D36 | C-13 | Q22 | D-28 |
| D37 | C-24 | Q23 | D-29 |
| D38 | C-18 | Q24 | D-12 |
| D40 | D-40 | Q25 | G-14 |
| D41 | D-40 | Q26 | G-14 |
| D42 | F-26 | Q27 | H-15 |
| D201 | F-8 | Q28 | G-13 |
| D202 | F-8 | Q29 | C-28 |
| D203 | D-8 | Q30 | C-13 |
| D204 | D-5 | Q201 | T-5 |
| D205 | D-6 | Q203 | G-5 |
| | | Q204 | T-5 |
| D206 | B-3 | | |
| D207 | F-4 | | |

- : part mounted on the conductor side.
- : indicates side identified with part number.
- : Through hole.
- : component-side pattern.

3-2. MOUNTING DIAGRAM (1)

• See page 25 for semiconductor lead layouts.
 • See page 45-48 UNTIL SERIAL NO. 7901.



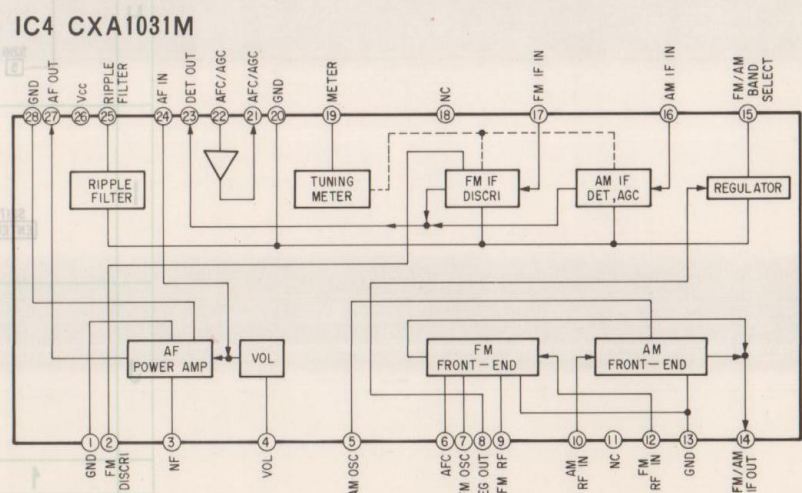


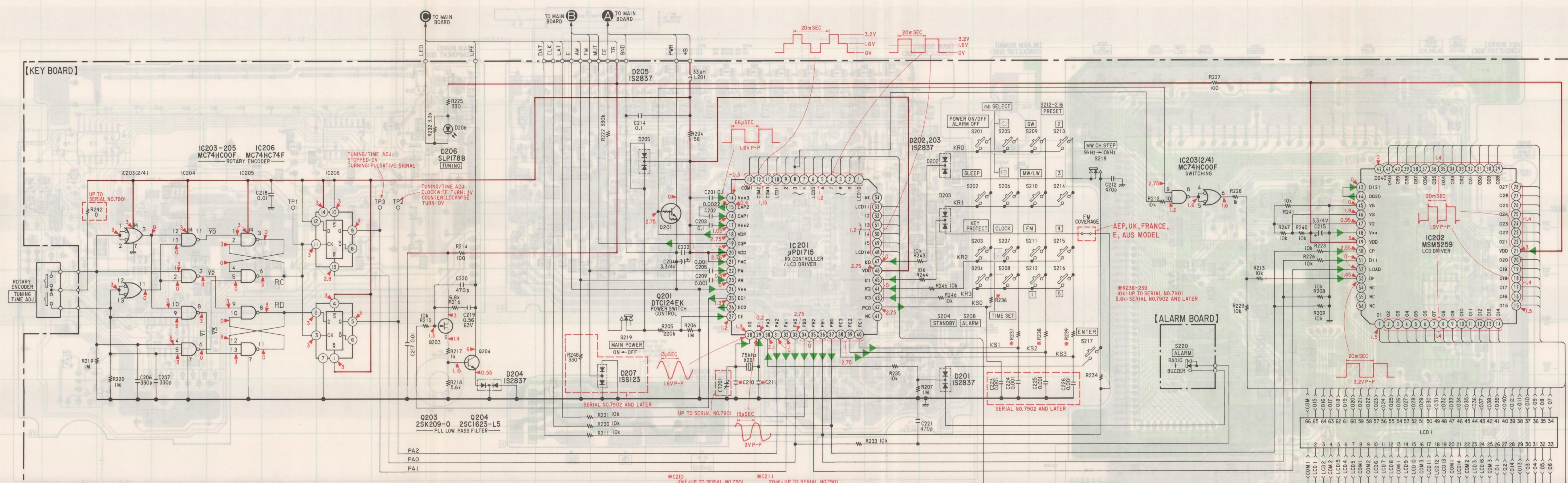
- Note:**
- All capacitors are in μF unless otherwise noted. pF : μF 50 WV or less are not indicated except for electrolytics and tantalums.
 - All resistors are in Ω and $1/4\text{W}$ or less unless otherwise specified.
 - FM signal path (green arrow)
 - MW/LW signal path (red arrow)
 - SW signal path (blue arrow)
 - Δ : internal component.

Switch

| Ref. No. | Switch | Position |
|----------|----------------|-----------|
| S1 | TONE | MUSIC |
| S201 | POWER ON/OFF | ALARM OFF |
| S202 | SLEEP | OFF |
| S203 | KEY PROTECT | OFF |
| S204 | STANDBY | OFF |
| S205 | mb select | OFF |
| S206 | mb select | OFF |
| S207 | TIME SET CLOCK | OFF |
| S208 | TIME SET ALARM | OFF |
| S209 | SW | OFF |
| S210 | MW/LW | OFF |
| S211 | FM | OFF |
| S212 | PRESET 1 | OFF |
| S213 | PRESET 2 | OFF |
| S214 | PRESET 3 | OFF |
| S215 | PRESET 4 | OFF |
| S216 | PRESET 5 | OFF |
| S217 | ENTER | OFF |
| S218 | MW CH STEP | 9kHz |
| S219 | MAIN POWER | OFF |
| S220 | ALARM | RADIO |

- B+** bus.
- Power voltage is 6 V and fed with regulated DC power supply. Voltages are dc with respect to ground in detuned mode with VOM (DC 50k Ω/V). Voltage variations may be noted due to normal production tolerances.
- () : MW/LW mode
- (()) : SW mode
- Waveforms are taken to ground in no signal mode by using oscilloscope. Voltage variations may be noted due to normal production tolerances.



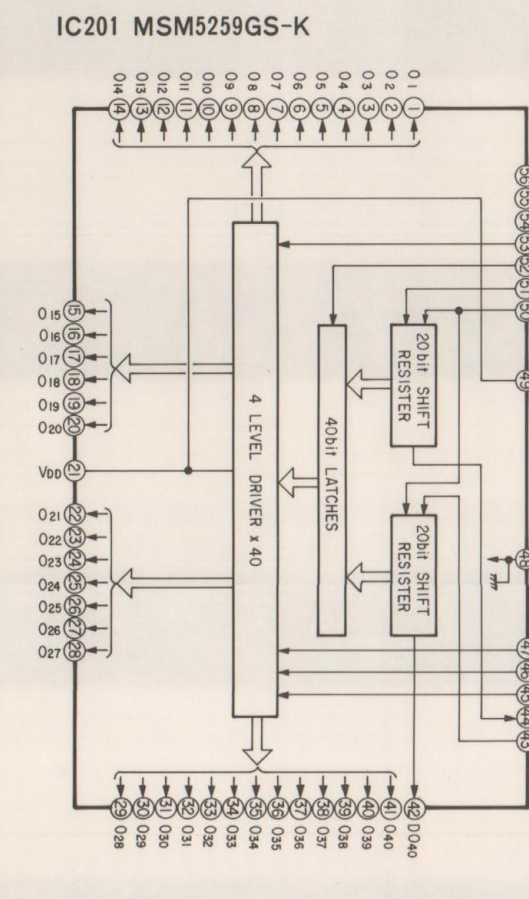
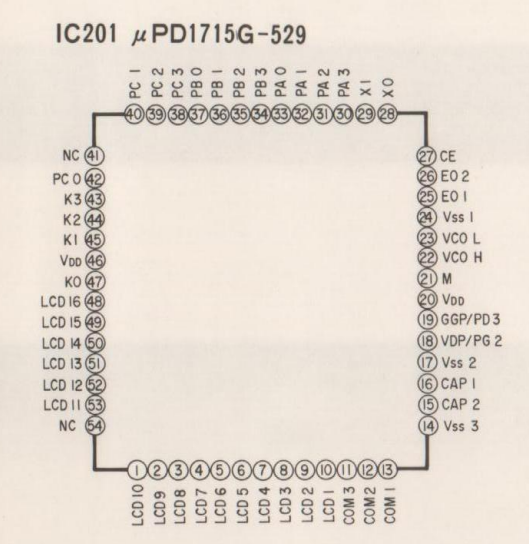


Note:

- All capacitors are in μ F unless otherwise noted. pF: μ F
- 50 WV or less are not indicated except for electrolytics and tantalums.
- All resistors are in Ω and $\frac{1}{4}$ W or less unless otherwise specified.
- Δ : internal component.

| Ref. No. | Switch | Position |
|----------|-------------------------------------|-----------------------|
| S1 | TONE | MUSIC |
| S201 | POWER ON/OFF ALARM OFF | OFF |
| S202 | SLEEP | OFF |
| S203 | KEY PROTECT | OFF |
| S204 | STANDBY | OFF |
| S205 | mb select \leftrightarrow | OFF |
| S206 | mb select \leftrightarrow | OFF |
| S207 | TIME SET CLOCK | OFF |
| S208 | TIME SET ALARM | OFF |
| S209 | SW | OFF |
| S210 | MW/LW | OFF |
| S211 | FM | OFF |
| S212 | PRESET 1 | OFF |
| S213 | PRESET 2 | OFF |
| S214 | PRESET 3 | OFF |
| S215 | PRESET 4 | OFF |
| S216 | PRESET 5 | OFF |
| S217 | ENTER | OFF |
| S218 | MW CH STEP 9kHz \rightarrow 10kHz | 9kHz OFF 10kHz OFF |
| S219 | MAIN POWER | OFF |
| S220 | ALARM | RADIO |

- B+ bus.**
- Power voltage is 6V and fed with regulated DC power supply. Voltages are dc with respect to ground in detuned mode with VOM (DC 50k Ω /V). Voltage variations may be noted due to normal production tolerances.
- Waveforms are taken to ground in no signal mode by using oscilloscope. Voltage variations may be noted due to normal production tolerances.

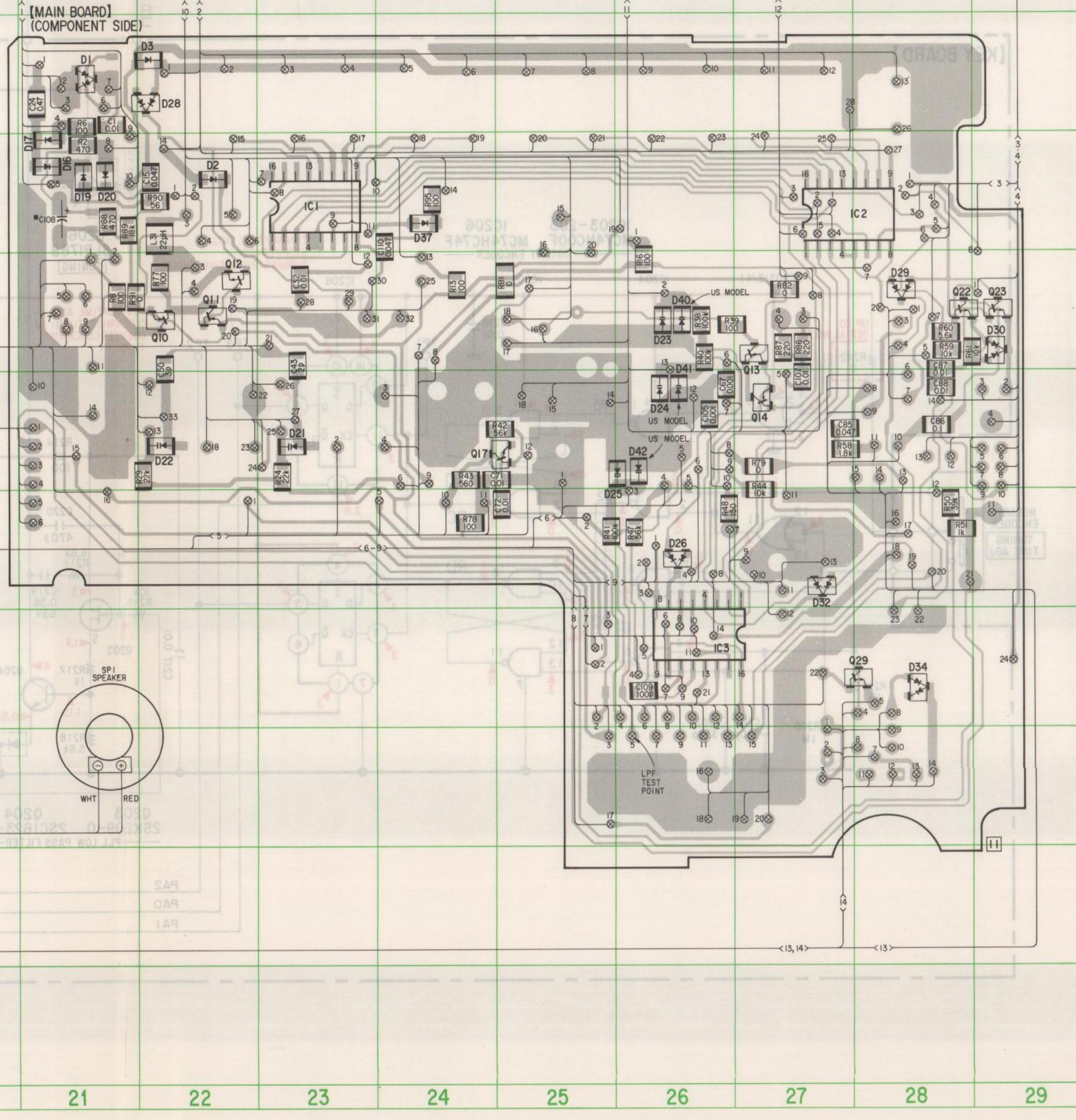
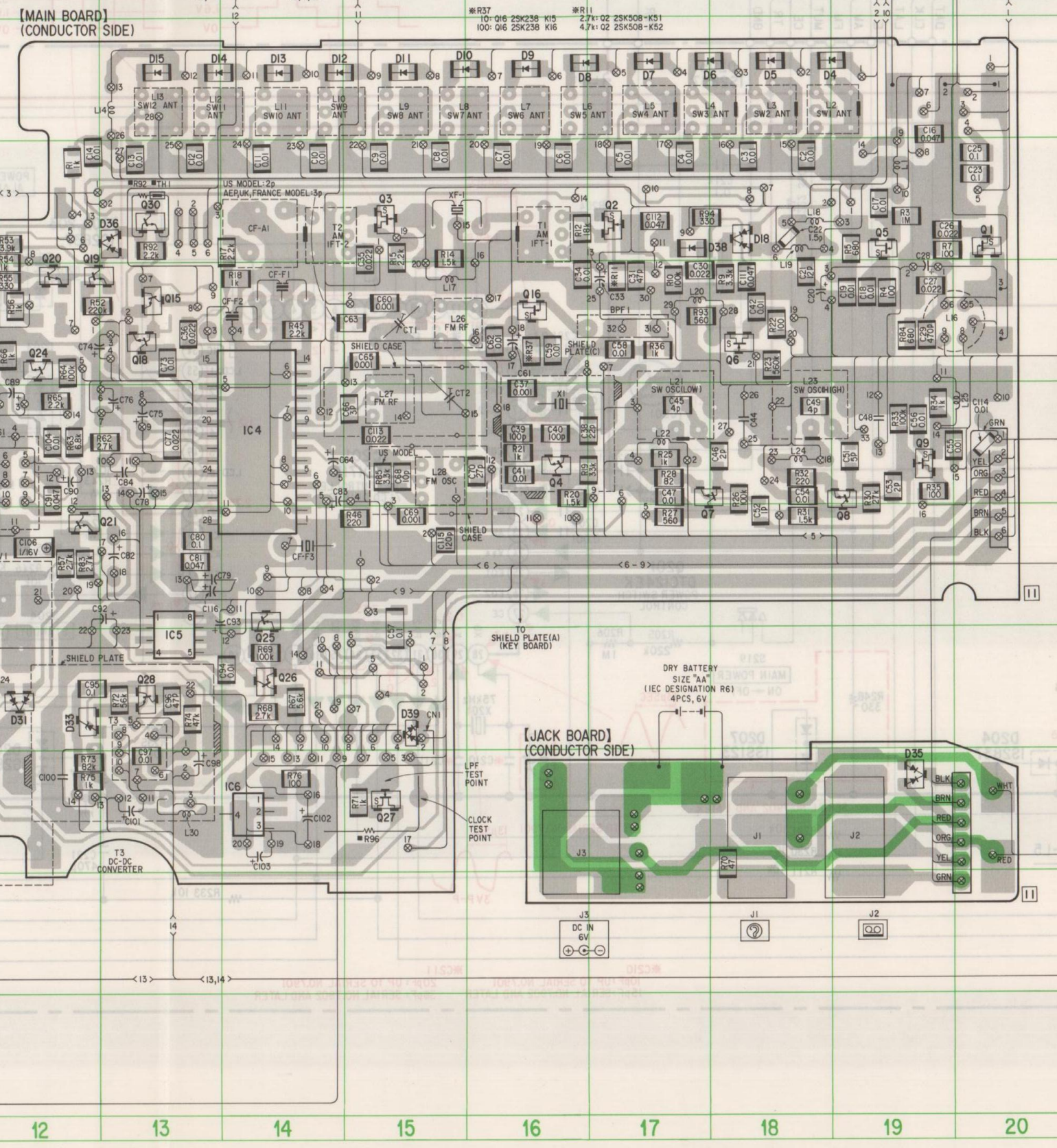
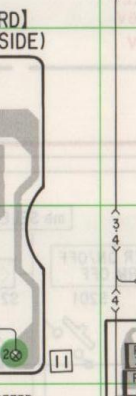
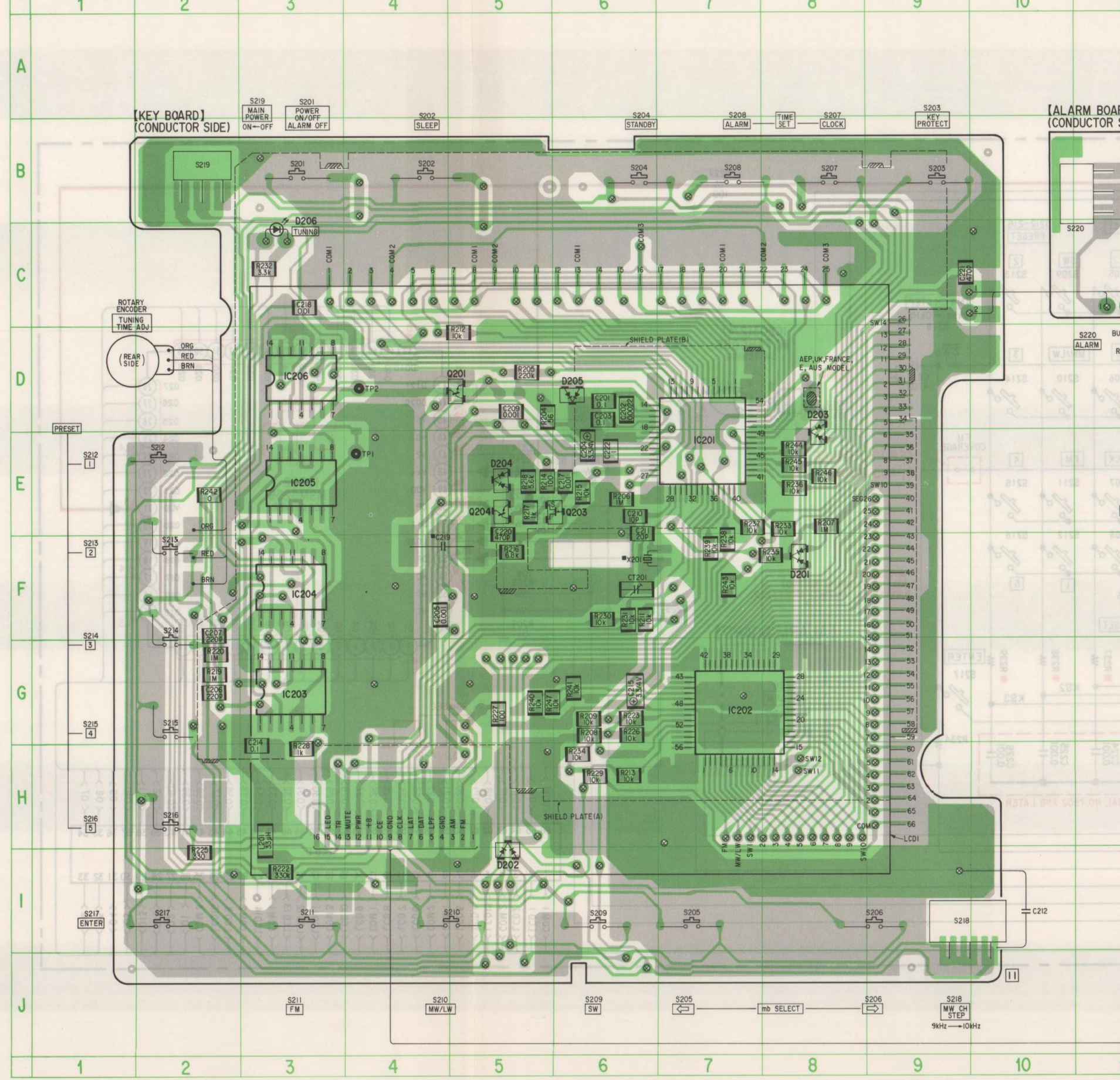


SEMICONDUCTOR LOCATION

| Ref. No. | Location | Ref. No. | Location |
|----------|----------|----------|----------|
| D1 | B-21 | IC1 | C-23 |
| D2 | B-22 | IC2 | C-28 |
| D3 | B-18 | IC3 | C-14 |
| D4 | B-18 | IC4 | G-13 |
| D5 | B-18 | IC5 | G-13 |
| D6 | B-17 | IC6 | H-14 |
| D7 | B-17 | IC201 | F-7 |
| D8 | B-16 | IC202 | F-7 |
| D9 | B-15 | IC203 | F-3 |
| D10 | B-15 | IC204 | F-3 |
| D11 | B-15 | IC205 | E-3 |
| D12 | B-14 | IC206 | D-3 |
| D13 | B-14 | | |
| D14 | B-13 | | |
| D15 | B-13 | | |
| D16 | C-21 | Q1 | C-20 |
| D17 | C-21 | Q2 | C-17 |
| D18 | C-18 | Q3 | C-15 |
| D19 | C-21 | Q4 | C-16 |
| D20 | C-21 | Q5 | C-19 |
| D21 | F-23 | Q6 | D-18 |
| D22 | F-23 | Q7 | F-14 |
| D23 | F-23 | Q8 | F-19 |
| D24 | F-23 | Q9 | D-22 |
| D25 | F-23 | Q10 | D-22 |
| D26 | F-26 | Q11 | D-22 |
| D27 | F-12 | Q12 | D-22 |
| D28 | F-23 | Q13 | D-27 |
| D29 | F-23 | Q14 | D-27 |
| D30 | F-23 | Q15 | D-13 |
| D31 | F-12 | Q16 | D-16 |
| D32 | F-27 | Q17 | F-24 |
| D33 | F-12 | Q18 | D-13 |
| D34 | F-28 | Q19 | C-12 |
| D35 | F-19 | Q20 | C-12 |
| D36 | C-13 | Q21 | F-13 |
| D37 | C-24 | Q22 | D-28 |
| D38 | C-18 | Q23 | D-29 |
| D39 | G-15 | Q24 | D-12 |
| D40 | D-26 | Q25 | G-14 |
| D41 | D-26 | Q26 | G-14 |
| D42 | F-26 | Q27 | F-15 |
| D201 | F-8 | Q28 | F-13 |
| D202 | F-5 | Q29 | C-28 |
| D203 | D-8 | Q30 | C-13 |
| D204 | F-5 | Q201 | D-5 |
| D205 | D-6 | Q203 | F-5 |
| D206 | D-3 | Q204 | F-5 |

- : part mounted on the conductor side.
- : indicates side identified with part number.
- ⊗ : Through hole.
- ⬢ : component-side pattern.

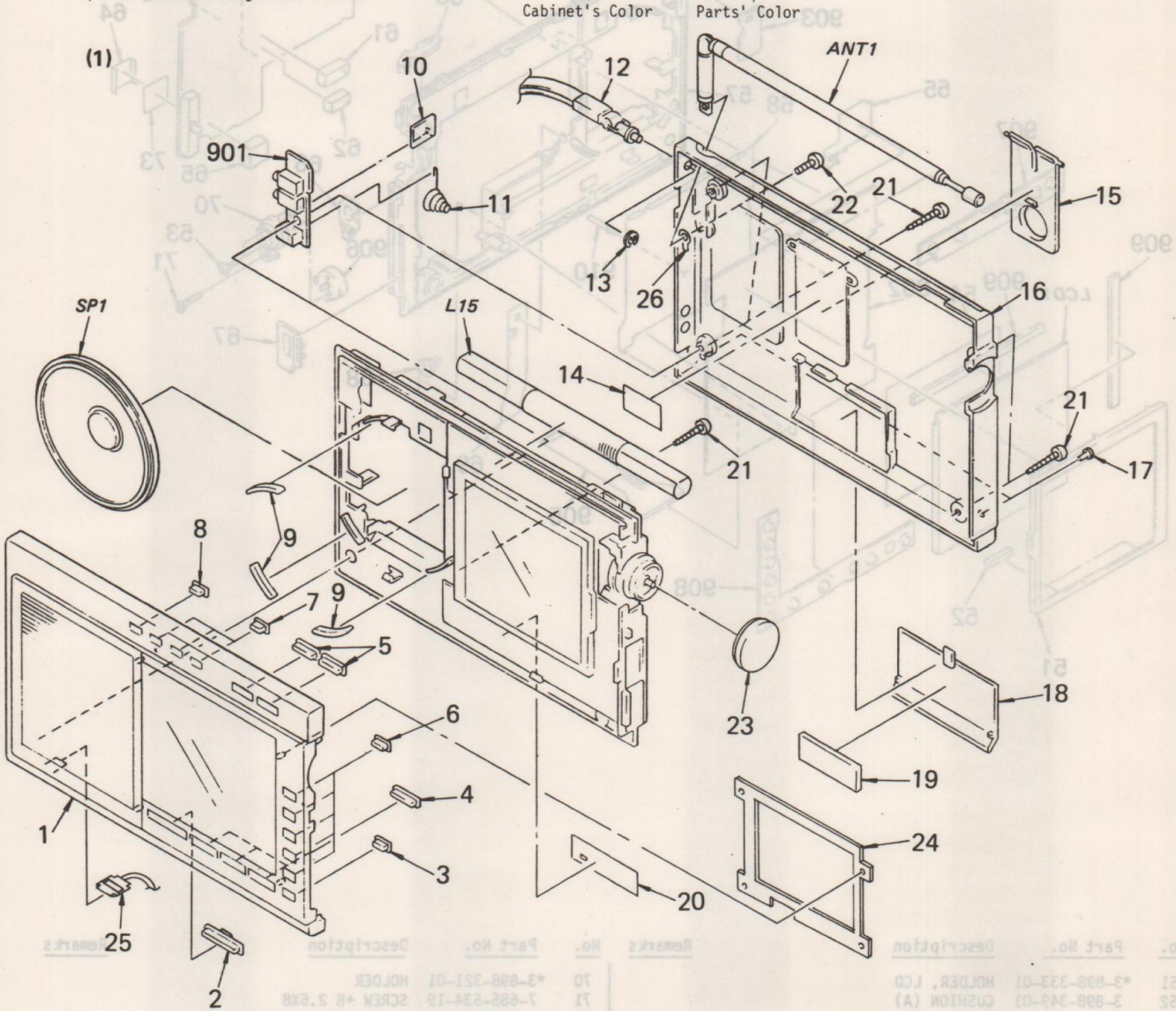
3-6. MOUNTING DIAGRAM (2)



SECTION 4 EXPLODED VIEWS AND PARTS LIST

NOTE:

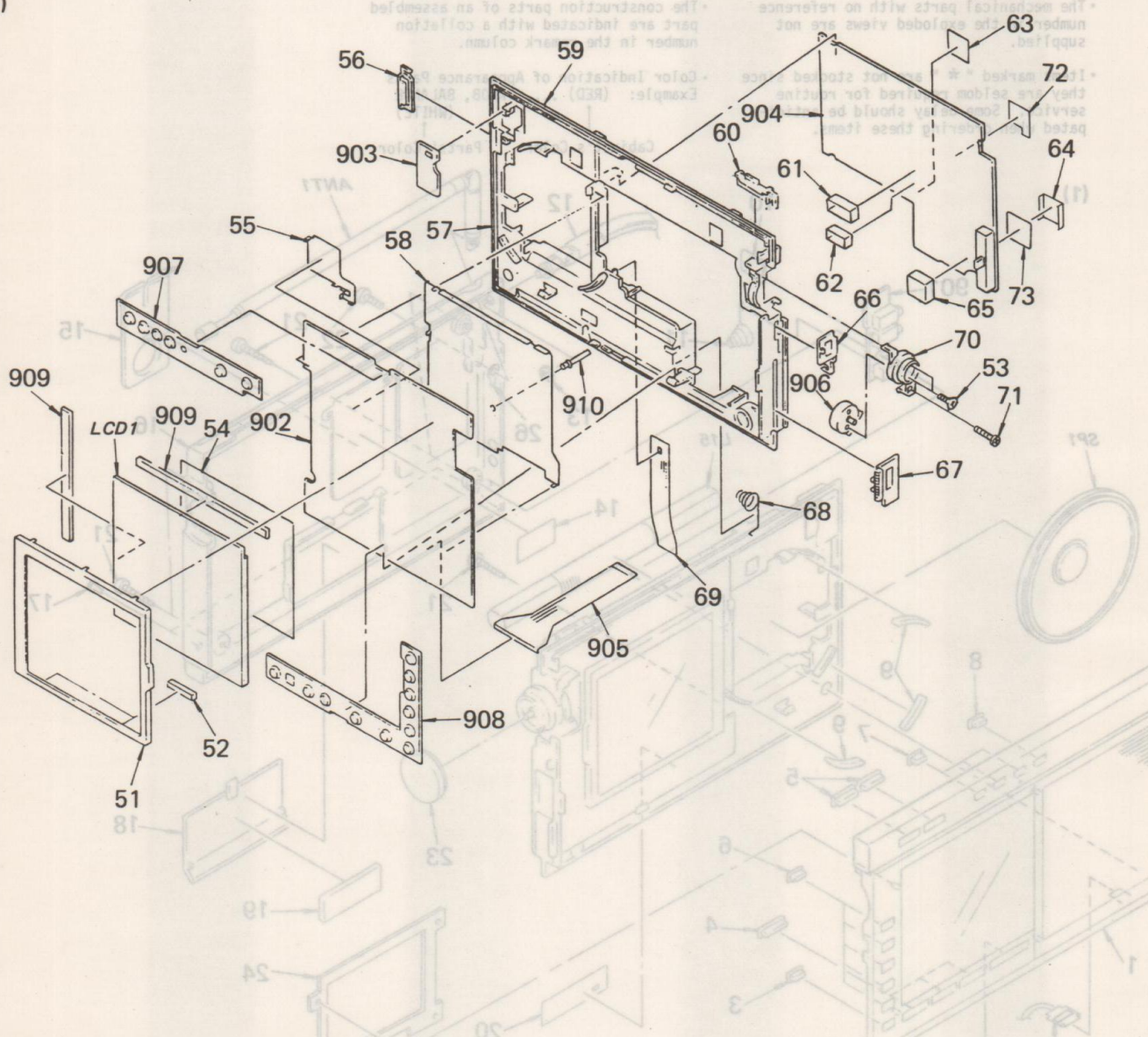
- The mechanical parts with no reference number in the exploded views are not supplied.
- Items marked "*" are not stocked since they are seldom required for routine service. Some delay should be anticipated when ordering these items.
- The construction parts of an assembled part are indicated with a collation number in the remark column.
- Color Indication of Appearance Parts
Example: (RED) KNOB, BALANCE (WHITE)



| No. | Part No. | Description | Remarks | No. | Part No. | Description | Remarks |
|-----|---------------|---|---------|------|---------------|--|---------|
| 1 | A-3640-970-A | (AEP,UK,FRANCE,E,AUS) .. CABINET (FRONT) ASSY | | 15 | 3-898-324-01 | STAND | |
| | A-3640-971-A | (US,Canadian,E)..... CABINET (FRONT) ASSY | | 16 | 3-898-317-11 | (US,Canadian,E).... LID, REAR, CABINET | |
| 2 | 3-898-327-01 | BUTTON, SELECT | | | 3-898-317-21 | (AEP,UK,E)..... LID, REAR, CABINET | |
| 3 | 3-898-336-11 | BUTTON, SET | | 17 | 3-880-917-00 | STOPPER | |
| 4 | 3-898-335-01 | BUTTON, BAND | | 18 | 3-891-817-21 | LID, BATTERY CASE | |
| 5 | 3-898-338-01 | BUTTON, POWER | | 19 | 3-485-341-11 | CUSHION | |
| 6 | 3-898-337-01 | BUTTON, MEMORY | | 20 | *3-898-301-01 | LABEL, (MW CH) STEP | |
| 7 | 3-898-336-01 | BUTTON, SET | | 21 | 7-685-151-19 | SCREW +P 3X20 TYPE2 NON-SLIT | |
| 8 | 3-898-336-21 | BUTTON, SET | | 22 | 7-682-146-09 | SCREW +P 3X5 | |
| 9 | 3-881-931-00 | CUSHION, SPEAKER | | 23 | X-3898-307-1 | KNOB ASSY, TUNING | |
| 10 | 3-898-322-01 | TERMINAL, BATTERY | | 24 | X-3898-309-1 | PLATE ASSY, BACK | |
| 11 | 3-889-819-00 | SPRING | | 25 | 3-898-358-01 | TERMINAL, GROUND | |
| 12 | 3-891-813-11 | STRAP, HAND | | 26 | 3-898-362-01 | LUG, PLATE | |
| 13 | 7-624-104-04 | STOP RING 2.0, TYPE -E | | 901 | *1-622-119-11 | PC BOARD, JACK | |
| 14 | *3-898-323-01 | COVER, STAND | | ANT1 | 1-501-376-11 | ANTENNA, TELESCOPIC | |
| | | | | L15 | 1-402-275-11 | ANTENNA, FERRITE-ROD (LW/MW) | |
| | | | | SP1 | 1-502-631-00 | SPEAKER | |

SECTION 4
EXPLODED VIEWS AND PARTS LIST

(2)



| No. | Part No. | Description | Remarks | No. | Part No. | Description | Remarks |
|-----|---------------|---|---------|------|---------------|--|---------|
| 51 | *3-898-333-01 | HOLDER, LCD | | 70 | *3-898-321-01 | HOLDER | |
| 52 | 3-898-349-01 | CUSHION (A) | | 71 | 7-685-534-19 | SCREW +B 2.6X8 | |
| 53 | 3-892-318-00 | SCREW, SMALL | | 72 | X-3898-321-2 | PLATE ASSY, SHIELD | |
| 54 | 3-898-350-01 | CUSHION (B) | | 73 | *3-898-346-01 | INSULATOR, D/D P | |
| 55 | *3-898-311-01 | PLATE (B), SHIELD | | 902 | A-3675-005-A | (US,Canadian,E) MOUNTED PCB, KEY | |
| 56 | 3-898-318-01 | (US,Canadian,AEP,UK,AUS,E2,1E3) KNOB, SLIDE | | 903 | A-3675-006-A | (AEP,UK,FRANCE,AUS) MOUNTED PCB, KEY | |
| 57 | 3-898-318-21 | (2E3) KNOB, SLIDE | | 904 | *1-622-121-11 | PC BOARD, ALARM | |
| 58 | *3-898-310-01 | PLATE (A), SHIELD | | 905 | A-3660-679-A | (US,Canadian,E) MOUNTED PCB, MAIN | |
| 59 | *3-898-316-01 | CHASSIS | | 906 | A-3660-685-A | (AEP,UK,FRANCE,AUS) MOUNTED PCB, MAIN | |
| 60 | 3-898-318-11 | KNOB, SLIDE | | 907 | 1-622-135-11 | PC BOARD, FLEXIBLE | |
| 61 | *3-898-342-01 | CASE (FM RF), SHIELD | | 908 | 1-464-788-11 | ENCODER, ROTARY | |
| 62 | *3-898-343-01 | CASE (FM OSC), SHIELD | | 909 | 1-571-057-11 | SWITCH, RUBBER KEY (S205,206,209-217) | |
| 63 | *X-3898-305-1 | PLATE ASSY, SHIELD, D/D P | | 910 | 1-571-058-11 | SWITCH, RUBBER KEY (S201-204,207,108) | |
| 64 | X-3898-304-1 | PLATE (A) ASSY, SHIELD | | LCD1 | 1-535-655-11 | CONDUCTOR (CONNECTION) | |
| 65 | *3-898-345-01 | CASE, SHIELD, D/D M | | LCD1 | 1-535-666-11 | TERMINAL | |
| 66 | 3-898-319-01 | KNOB, TONE | | LCD1 | 1-807-777-11 | (US,Canadian,E) ...DISPLAY PANEL, LIQUID CRYSTAL | |
| 67 | 3-898-320-01 | KNOB, VOLUME | | LCD1 | 1-807-778-11 | (AEP,UK,FRANCE,AUS) ...DISPLAY PANEL, LIQUID CRYSTAL | |
| 68 | 3-883-423-00 | SPRING | | | | | |
| 69 | *3-898-341-01 | CLOTH, DRAWER, BATTERY | | | | | |

SECTION 5
ELECTRICAL PARTS LIST

NOTE:

Items marked " * " are not stocked since they are seldom required for routine service. Some delay should be anticipated when ordering these items.
If there are two or more same circuits in a set such as a stereophonic machine, only typical circuit parts may be indicated and capacitors and resistors in other same circuits may be omitted.

CAPACITORS:
MF:µF, PF:µµF.
RESISTORS:
All resistors are in ohms.
F : nonflammable
COILS:
MMH : mH, UH : µH

SEMICONDUCTORS
In each case, U : µ, for example:
UA...: µA..., UPA...: µPA..., UPC...: µPC, UPD...: µPD...

ELECTRICAL PARTS

| Ref.No. | Part No. | Description |
|---------|---------------|--|
| 901 | *1-622-119-11 | PC BOARD, JACK |
| 902 | A-3675-005-A | (US,Canadian,E).....MOUNTED PCB, KEY |
| | A-3675-006-A | (AEP,UK,FRANCE,AUS)..MOUNTED PCB, KEY |
| 903 | *1-622-121-11 | PC BOARD, ALARM |
| 904 | A-3660-679-A | (US,Canadian,E).....MOUNTED PCB, MAIN |
| | A-3660-685-A | (AEP,UK,FRANCE,AUS)..MOUNTED PCB, MAIN |
| 905 | 1-622-135-11 | PC BOARD, FLEXIBLE |
| 906 | 1-464-788-11 | ENCODER, ROTARY |
| 907 | 1-571-057-11 | SWITCH, RUBBER KEY (S205,206,209-217) |
| 908 | 1-571-058-11 | SWITCH, RUBBER KEY (S201-204,207,108) |
| 909 | 1-535-655-11 | CONDUCTOR (CONNECTION) |
| 910 | 1-535-666-11 | TERMINAL |
| ANT1 | 1-501-376-11 | ANTENNA, TELESCOPIC |
| BPF1 | 1-235-253-00 | (AEP,UK,FRANCE,AUS)..FILTER, BAND PASS |
| BPF1 | 1-235-254-00 | (US,Canadian,E).....FILTER, BAND PASS |
| C1 | 1-163-141-00 | CERAMIC CHIP 0.001MF 10% 50V |
| C2 | 1-163-021-00 | CERAMIC CHIP 0.01MF 50V |
| C3 | 1-163-021-00 | CERAMIC CHIP 0.01MF 50V |
| C4 | 1-163-021-00 | CERAMIC CHIP 0.01MF 50V |
| C5 | 1-163-021-00 | CERAMIC CHIP 0.01MF 50V |
| C6 | 1-163-021-00 | CERAMIC CHIP 0.01MF 50V |
| C7 | 1-163-021-00 | CERAMIC CHIP 0.01MF 50V |
| C8 | 1-163-021-00 | CERAMIC CHIP 0.01MF 50V |
| C9 | 1-163-021-00 | CERAMIC CHIP 0.01MF 50V |
| C10 | 1-163-021-00 | CERAMIC CHIP 0.01MF 50V |
| C11 | 1-163-021-00 | CERAMIC CHIP 0.01MF 50V |
| C12 | 1-163-021-00 | CERAMIC CHIP 0.01MF 50V |
| C13 | 1-163-021-00 | CERAMIC CHIP 0.01MF 50V |
| C14 | 1-163-021-00 | CERAMIC CHIP 0.01MF 10% 50V |
| C15 | 1-163-035-00 | CERAMIC CHIP 0.047MF 10% 25V |
| C16 | 1-163-035-00 | CERAMIC CHIP 0.047MF 10% 25V |
| C17 | 1-163-141-00 | CERAMIC CHIP 0.001MF 10% 50V |
| C18 | 1-163-021-00 | CERAMIC CHIP 0.01MF 10% 50V |
| C19 | 1-163-021-00 | CERAMIC CHIP 0.01MF 10% 50V |
| C20 | 1-123-646-00 | ELECT 33MF 20% 6.3V |
| C21 | 1-163-095-00 | CERAMIC CHIP 12PF 5% 50V |
| C22 | 1-163-084-00 | CERAMIC CHIP 1.5PF 0.25PF 50V |
| C23 | 1-163-081-00 | CERAMIC CHIP 0.22MF 10% 25V |
| C24 | 1-162-637-11 | CERAMIC CHIP 0.47MF 16V |
| C25 | 1-163-077-00 | CERAMIC CHIP 0.1MF 10% 25V |
| C26 | 1-163-033-00 | CERAMIC CHIP 0.022MF 10% 25V |
| C27 | 1-163-033-00 | CERAMIC CHIP 0.022MF 10% 25V |
| C28 | 1-123-644-61 | ELECT 22MF 20% 10V |

ELECTRICAL PARTS

| Ref.No. | Part No. | Description |
|---------|--------------|---|
| C29 | 1-163-133-00 | CERAMIC CHIP 470PF 10% 50V |
| C30 | 1-163-033-00 | CERAMIC CHIP 0.022MF 10% 25V |
| C31 | 1-163-109-00 | CERAMIC CHIP 47PF 5% 50V |
| C32 | 1-163-021-00 | CERAMIC CHIP 0.01MF 10% 50V |
| C33 | 1-123-822-00 | ELECT 47MF 20% 10V |
| C34 | 1-163-021-00 | CERAMIC CHIP 0.01MF 10% 50V |
| C35 | 1-163-033-00 | CERAMIC CHIP 0.022MF 10% 25V |
| C36 | 1-163-033-00 | CERAMIC CHIP 0.022MF 10% 25V |
| C37 | 1-163-141-00 | CERAMIC CHIP 0.001MF 10% 50V |
| C38 | 1-163-101-00 | CERAMIC CHIP 22PF 5% 50V |
| C39 | 1-163-117-00 | CERAMIC CHIP 100PF 5% 50V |
| C40 | 1-163-117-00 | CERAMIC CHIP 100PF 5% 50V |
| C41 | 1-163-021-00 | CERAMIC CHIP 0.01MF 10% 50V |
| C42 | 1-163-021-00 | CERAMIC CHIP 0.01MF 10% 50V |
| C43 | 1-163-085-00 | CERAMIC CHIP 2PF 0.25PF 50V |
| C44 | 1-161-055-00 | CERAMIC 0.022MF 20% 25V |
| C45 | 1-163-086-00 | CERAMIC CHIP 3PF 0.25PF 50V |
| C46 | 1-163-085-00 | CERAMIC CHIP 2PF 0.25PF 50V |
| C47 | 1-163-021-00 | CERAMIC CHIP 0.01MF 10% 50V |
| C48 | 1-161-055-00 | CERAMIC 0.022MF 20% 25V |
| C49 | 1-163-086-00 | CERAMIC CHIP 3PF 0.25PF 50V |
| C50 | 1-163-086-00 | CERAMIC CHIP 3PF 0.25PF 50V |
| C51 | 1-163-088-00 | CERAMIC CHIP 5PF 0.25PF 50V |
| C52 | 1-163-083-00 | CERAMIC CHIP 1PF 0.25PF 50V |
| C53 | 1-163-085-00 | CERAMIC CHIP 2PF 0.25PF 50V |
| C54 | 1-163-021-00 | CERAMIC CHIP 0.01MF 10% 50V |
| C55 | 1-163-021-00 | CERAMIC CHIP 0.01MF 10% 50V |
| C56 | 1-163-021-00 | CERAMIC CHIP 0.01MF 10% 50V |
| C57 | 1-163-077-00 | CERAMIC CHIP 0.1MF 10% 25V |
| C58 | 1-163-021-00 | CERAMIC CHIP 0.01MF 10% 50V |
| C59 | 1-163-021-00 | CERAMIC CHIP 0.01MF 10% 50V |
| C60 | 1-163-141-00 | CERAMIC CHIP 0.001MF 10% 50V |
| C61 | 1-123-644-61 | ELECT 22MF 20% 10V |
| C62 | 1-163-021-00 | CERAMIC CHIP 0.01MF 10% 50V |
| C63 | 1-163-085-00 | (US,Canadian,E).....CERAMIC CHIP 2PF 0.25PF 50V |
| C63 | 1-163-086-00 | (AEP,UK,FRANCE,AUS).....CERAMIC CHIP 3PF 0.25PF 50V |
| C64 | 1-124-224-00 | ELECT 47MF 20% 6.3V |
| C65 | 1-163-141-00 | CERAMIC CHIP 0.001MF 50V |
| C66 | 1-163-086-00 | CERAMIC CHIP 3PF 0.25PF 50V |
| C67 | 1-163-141-00 | CERAMIC CHIP 0.001MF 10% 50V |
| C68 | 1-163-093-00 | CERAMIC CHIP 10PF 5% 50V |
| C69 | 1-163-141-00 | CERAMIC CHIP 0.001MF 50V |
| C70 | 1-163-103-00 | CERAMIC CHIP 27PF 5% 50V |
| C71 | 1-163-021-00 | CERAMIC CHIP 0.01MF 10% 50V |
| C72 | 1-163-021-00 | CERAMIC CHIP 0.01MF 50V |

ELECTRICAL PARTS

| Ref.No. | Part No. | Description |
|---------|--------------|---|
| C73 | 1-163-021-00 | CERAMIC CHIP 0.01MF 10% 50V |
| C74 | 1-123-617-00 | ELECT 10MF 20% 16V |
| C75 | 1-124-245-00 | ELECT 4.7MF 20% 25V |
| C76 | 1-123-617-00 | ELECT 10MF 20% 16V |
| C77 | 1-163-063-00 | CERAMIC CHIP 0.022MF 10% 50V |
| C78 | 1-124-638-11 | ELECT 22MF 20% 6.3V |
| C79 | 1-123-311-00 | (UP TO SERIAL No.7901).....ELECT 1000MF 20% 10V |
| C79 | 1-124-142-00 | (SERIAL No.7902 AND LATER).....ELECT 470MF 20% 10V |
| C80 | 1-163-077-00 | CERAMIC CHIP 0.1MF 10% 25V |
| C81 | 1-163-075-00 | CERAMIC CHIP 0.047MF 10% 25V |
| C82 | 1-124-140-00 | ELECT 220MF 20% 10V |
| C83 | 1-124-245-00 | ELECT 4.7MF 20% 25V |
| C84 | 1-124-465-00 | ELECT 0.47MF 20% 50V |
| C85 | 1-163-035-00 | CERAMIC CHIP 0.047MF 10% 25V |
| C86 | 1-163-077-00 | CERAMIC CHIP 0.1MF 10% 25V |
| C87 | 1-163-021-00 | CERAMIC CHIP 0.01MF 10% 50V |
| C88 | 1-163-021-00 | CERAMIC CHIP 0.01MF 10% 50V |
| C89 | 1-124-638-11 | ELECT 22MF 20% 6.3V |
| C90 | 1-163-036-00 | ELECT 0.068MF 20% 50V |
| C91 | 1-163-035-00 | CERAMIC CHIP 0.047MF 10% 25V |
| C92 | 1-123-617-00 | ELECT 10MF 20% 16V |
| C93 | 1-124-139-00 | ELECT 100MF 20% 10V |
| C94 | 1-163-141-00 | CERAMIC CHIP 0.001MF 10% 50V |
| C95 | 1-163-038-00 | CERAMIC CHIP 0.1MF 25V |
| C96 | 1-163-109-00 | CERAMIC CHIP 47PF 5% 50V |
| C97 | 1-163-021-00 | CERAMIC CHIP 0.01MF 10% 50V |
| C98 | 1-124-432-00 | ELECT 47MF 20% 4V |
| C100 | 1-130-768-00 | FILM 0.1MF 10% 63V |
| C101 | 1-124-436-00 | ELECT 3.3MF 20% 25V |
| C102 | 1-126-166-21 | ELECT 2200MF 5.5V |
| C103 | 1-123-617-00 | ELECT 10MF 20% 16V |
| C104 | 1-163-021-00 | CERAMIC CHIP 0.01MF 10% 50V |
| C105 | 1-163-141-00 | CERAMIC CHIP 0.001MF 10% 50V |
| C106 | 1-135-076-00 | TANTAL. CHIP 1MF 20% 25V |
| C107 | 1-163-021-00 | CERAMIC CHIP 0.01MF 10% 50V |
| C108 | 1-124-139-00 | ELECT 100MF 20% 10V |
| C109 | 1-163-117-00 | CERAMIC CHIP 100PF 5% 50V |
| C110 | 1-163-035-00 | CERAMIC CHIP 0.047MF 10% 25V |
| C111 | 1-163-035-00 | CERAMIC CHIP 0.047MF 10% 25V |
| C112 | 1-163-035-00 | CERAMIC CHIP 0.047MF 10% 25V |
| C113 | 1-163-033-00 | CERAMIC CHIP 0.022MF 10% 25V |
| C114 | 1-163-021-00 | CERAMIC CHIP 0.01MF 10% 50V |
| C115 | 1-163-119-00 | CERAMIC CHIP 120PF 5% 50V |
| C116 | 1-123-311-00 | (UP TO SERIAL No.7901).....ELECT 1000MF 10V |
| C117 | 1-123-617-00 | (SERIAL No.7902 AND LATER).....ELECT 10MF 20% 16V |
| C201 | 1-163-038-00 | CERAMIC CHIP 0.1MF 25V |
| C202 | 1-163-013-00 | CERAMIC CHIP 0.0022MF 10% 50V |
| C203 | 1-163-038-00 | CERAMIC CHIP 0.1MF 25V |
| C204 | 1-135-103-00 | TANTAL. CHIP 3.3MF 20% 4V |
| C205 | 1-163-141-00 | CERAMIC CHIP 0.001MF 50V |
| C206 | 1-163-129-00 | CERAMIC CHIP 330PF 10% 50V |
| C207 | 1-163-129-00 | CERAMIC CHIP 330PF 10% 50V |
| C209 | 1-163-141-00 | CERAMIC CHIP 0.001MF 50V |
| C210 | 1-163-093-00 | (UP TO SERIAL No.7901).....CERAMIC CHIP 10PF 5% 50V |
| C210 | 1-163-097-00 | (SERIAL No.7902 AND LATER).....CERAMIC CHIP 15PF |

ELECTRICAL PARTS

| Ref.No. | Part No. | Description |
|---------|---------------|---|
| C211 | 1-163-100-00 | (UP TO SERIAL No.7901).....CERAMIC CHIP 20PF 5% 50V |
| C211 | 1-163-106-00 | (SERIAL No.7902 AND LATER).....CERAMIC CHIP 36PF |
| C212 | 1-102-114-00 | (UP TO SERIAL No.7901).....CERAMIC 470PF 10% 50V |
| C212 | 1-163-133-00 | (SERIAL No.7902 AND LATER).....CERAMIC CHIP 470PF 10% 50V |
| C214 | 1-163-077-00 | CERAMIC CHIP 0.1MF 10% 25V |
| C215 | 1-135-103-00 | TANTAL. CHIP 3.3MF 20% 4V |
| C217 | 1-163-021-00 | CERAMIC CHIP 0.01MF 50V |
| C218 | 1-163-021-00 | CERAMIC CHIP 0.01MF 50V |
| C219 | 1-130-831-21 | FILM 0.56MF 10% 63V |
| C220 | 1-163-133-00 | CERAMIC CHIP 470PF 10% 50V |
| C221 | 1-163-133-00 | CERAMIC CHIP 470PF 10% 50V |
| C222 | 1-162-611-00 | (US,Canadian,E).....CERAMIC CHIP 1MF 25V |
| C222 | 1-162-638-11 | (AEP,UK,FRANCE,AUS).....CERAMIC CHIP 1MF 16V |
| C223 | 1-163-141-00 | (SERIAL No.7902 AND LATER).....CERAMIC CHIP 0.001MF 10% 50V |
| C224 | 1-163-141-00 | (SERIAL No.7902 AND LATER).....CERAMIC CHIP 0.001MF 10% 50V |
| C225 | 1-163-141-00 | (SERIAL No.7902 AND LATER).....CERAMIC CHIP 0.001MF 10% 50V |
| C226 | 1-163-141-00 | (SERIAL No.7902 AND LATER).....CERAMIC CHIP 0.001MF 10% 50V |
| CF-A1 | 1-527-982-00 | FILTER, CERAMIC |
| CF-F1 | 1-567-051-61 | FILTER, CERAMIC |
| CF-F2 | 1-567-051-61 | FILTER, CERAMIC |
| CF-F3 | 1-567-051-61 | FILTER, CERAMIC |
| CNI | *1-562-990-11 | SOCKET, CONNECTOR 14P |
| CT1 | 1-141-229-00 | CAP, TRIMMER |
| CT2 | | |
| CT201 | 1-141-311-11 | (UP TO SERIAL No.7901).....CAP, VAR, TRIMMER (CHIP) |
| D1 | 8-719-101-23 | DIODE 1SS123 |
| D2 | 8-719-123-79 | DIODE 1SS279 |
| D3 | 8-719-123-79 | DIODE 1SS279 |
| D4 | 8-719-123-79 | DIODE 1SS279 |
| D5 | 8-719-123-79 | DIODE 1SS279 |
| D6 | 8-719-123-79 | DIODE 1SS279 |
| D7 | 8-719-123-79 | DIODE 1SS279 |
| D8 | 8-719-123-79 | DIODE 1SS279 |
| D9 | 8-719-123-79 | DIODE 1SS279 |
| D10 | 8-719-123-79 | DIODE 1SS279 |
| D11 | 8-719-123-79 | DIODE 1SS279 |
| D12 | 8-719-123-79 | DIODE 1SS279 |
| D13 | 8-719-123-79 | DIODE 1SS279 |
| D14 | 8-719-123-79 | DIODE 1SS279 |
| D15 | 8-719-123-79 | DIODE 1SS279 |
| D16 | 8-719-123-79 | DIODE 1SS279 |
| D17 | 8-719-123-79 | DIODE 1SS279 |
| D18 | 8-719-104-26 | DIODE 1S2837 |
| D19 | 8-719-100-05 | DIODE 1SS279 |
| D20 | 8-719-123-79 | DIODE 1SS279 |
| D21 | 8-719-300-00 | DIODE 1T33 |
| D22 | 8-719-300-00 | DIODE 1T33 |
| D23 | 8-713-220-00 | DIODE 1T32-2 |
| D24 | 8-713-220-00 | DIODE 1T32-2 |

SECTION 5
ELECTRICAL PARTS LIST

ELECTRICAL PARTS

ELECTRICAL PARTS

ELECTRICAL PARTS

ELECTRICAL PARTS

| Ref.No. | Part No. | Description |
|---------|--------------|---|
| D25 | 8-713-220-00 | DIODE 1T32-2 |
| D26 | 8-719-100-05 | DIODE 1S2837 |
| D28 | 8-719-100-05 | DIODE 1S2837 |
| D29 | 8-719-100-05 | DIODE 1S2837 |
| D30 | 8-719-100-05 | DIODE 1S2837 |
| D31 | 8-719-100-05 | DIODE 1S2837 |
| D32 | 8-719-100-05 | DIODE 1S2837 |
| D33 | 8-719-106-98 | DIODE RD16M-B |
| D34 | 8-719-101-23 | DIODE 1SS123 |
| D35 | 8-719-100-05 | DIODE 1S2837 |
| D36 | 8-719-123-79 | DIODE 1SS123 |
| D37 | 8-719-123-79 | DIODE 1SS279 |
| D38 | 8-719-123-79 | DIODE 1SS279 |
| D39 | 8-719-123-79 | (UP TO SERIAL No.7901)...DIODE 1SS279 |
| D40 | 8-713-220-00 | (US)...DIODE 1T32-2 |
| D41 | 8-713-220-00 | (US)...DIODE 1T32-2 |
| D42 | 8-713-220-00 | (US)...DIODE 1T32-2 |
| D201 | 8-719-100-05 | DIODE 1S2837 |
| D202 | 8-719-100-05 | DIODE 1S2837 |
| D203 | 8-719-100-05 | DIODE 1S2837 |
| D204 | 8-719-100-05 | DIODE 1S2837 |
| D205 | 8-719-100-05 | DIODE 1S2837 |
| D206 | 8-719-912-43 | DIODE SLP178B |
| D207 | 8-719-101-23 | (SERIAL No.7902 AND LATER)...DIODE 1SS123 |
| IC1 | 8-759-205-09 | IC TC74HC138F |
| IC2 | 8-759-205-09 | IC TC74HC138F |
| IC3 | 8-759-012-60 | IC MC74HC595F |
| IC4 | 8-752-030-47 | IC CXA1031M |
| IC5 | 8-759-801-15 | IC LA5003M |
| IC6 | 8-759-939-41 | IC S-81230AG-RB |
| IC7 | 8-759-100-94 | (SERIAL No.7902 AND LATER)...IC UPC358G2 |
| IC201 | 8-759-112-16 | IC UPD1715G-529 |
| IC202 | 8-759-932-06 | IC MSM5259GS-K |
| IC203 | 8-759-204-94 | IC MC74HC00F |
| IC204 | 8-759-204-94 | IC MC74HC00F |
| IC205 | 8-759-204-94 | IC MC74HC00F |
| IC206 | 8-759-205-06 | IC MC74HC74F |
| J1 | 1-507-562-00 | JACK (EARPHONE) |
| J2 | 1-507-562-00 | JACK (RECORD) |
| J3 | 1-507-985-11 | JACK, OUTSIDE POWER (DC IN 6V) |
| L1 | 1-410-316-11 | MICRO INDUCTOR 1UH |
| L2 | 1-402-274-11 | COIL (ANT) |
| L3 | 1-402-274-11 | COIL (ANT) |
| L4 | 1-402-273-11 | COIL (ANT) |
| L5 | 1-402-273-11 | COIL (ANT) |
| L6 | 1-459-728-11 | COIL (WITH CORE) |
| L7 | 1-459-728-11 | COIL (WITH CORE) |
| L8 | 1-459-729-11 | COIL (WITH CORE) |
| L9 | 1-459-729-11 | COIL (WITH CORE) |
| L10 | 1-459-730-11 | COIL (WITH CORE) |
| L11 | 1-459-730-11 | COIL (WITH CORE) |
| L12 | 1-459-731-11 | COIL (WITH CORE) |
| L13 | 1-459-731-11 | COIL (WITH CORE) |
| L14 | 1-410-336-11 | MICRO INDUCTOR 220UH |
| L15 | 1-402-275-11 | ANTENNA, FERRITE-ROD (LW/MW) |
| L16 | 1-426-313-11 | TRANSFORMER, HIGH FREQUENCY |
| L17 | 1-410-331-11 | MICRO INDUCTOR 33UH |
| L18 | 1-410-325-11 | MICRO INDUCTOR 5.6UH |
| L19 | 1-410-324-11 | MICRO INDUCTOR 4.7UH |

| Ref.No. | Part No. | Description |
|---------|---------------|---|
| L20 | 1-410-334-11 | MICRO INDUCTOR 100UH |
| L21 | 1-406-234-11 | COIL (OSC) |
| L22 | 1-410-321-11 | MICRO INDUCTOR 2.7UH |
| L23 | 1-406-235-11 | COIL (OSC) |
| L24 | 1-410-498-11 | MICRO INDUCTOR 1.2UH |
| L25 | 1-410-334-11 | MICRO INDUCTOR 100UH |
| L26 | 1-459-732-00 | (US,Canadian,E).....COIL (WITH CORE) |
| L26 | 1-459-741-11 | (AEP,UK,FRANCE,AUS)...COIL (WITH CORE) |
| L27 | 1-459-733-11 | (US,Canadian,E).....COIL (WITH CORE) |
| L27 | 1-459-740-11 | (AEP,UK,FRANCE,AUS)...COIL (WITH CORE) |
| L28 | 1-459-734-11 | (US,Canadian,E).....COIL (WITH CORE) |
| L28 | 1-459-742-11 | (AEP,UK,FRANCE,AUS)...COIL (WITH CORE) |
| L29 | *1-422-277-11 | COIL, AIR-CORE |
| L30 | 1-410-336-11 | MICRO INDUCTOR 220UH |
| L31 | 1-410-208-41 | INDUCTOR CHIP 22UH |
| L201 | 1-410-210-21 | INDUCTOR CHIP 33UH |
| LCD1 | 1-807-777-11 | (US,Canadian,E) ...DISPLAY PANEL, LIQUID CRYSTAL |
| LCD1 | 1-807-778-11 | (AEP,UK,FRANCE,AUS) ...DISPLAY PANEL, LIQUID CRYSTAL |
| LCD1 | 1-808-095-11 | (AEP(ITALY)) ...DISPLAY PANEL,LIQUID CRYSTAL |
| Q1 | 8-729-123-86 | TRANSISTOR 2SK238-K16 |
| Q2 | 8-729-116-64 | TRANSISTOR 2SK508-K51 |
| Q3 | 8-729-109-42 | TRANSISTOR 2SK94-X2 |
| Q4 | 8-729-102-06 | TRANSISTOR 2SC2223 |
| Q5 | 8-729-123-86 | TRANSISTOR 2SK238-K16A |
| Q6 | 8-729-109-42 | TRANSISTOR 2SK94-X2 |
| Q7 | 8-729-102-06 | TRANSISTOR 2SC2223 |
| Q8 | 8-729-102-06 | TRANSISTOR 2SC2223 |
| Q9 | 8-729-109-42 | TRANSISTOR 2SK94-X2 |
| Q10 | 8-729-901-05 | TRANSISTOR DTA124EK |
| Q11 | 8-729-901-05 | TRANSISTOR DTA124EK |
| Q12 | 8-729-901-00 | TRANSISTOR DTC124EK |
| Q13 | 8-729-901-05 | TRANSISTOR DTA124EK |
| Q14 | 8-729-901-05 | TRANSISTOR DTA124EK |
| Q15 | 8-729-901-00 | TRANSISTOR DTC124EK |
| Q16 | 8-729-123-86 | TRANSISTOR 2SK238-K16 |
| Q17 | 8-729-102-06 | TRANSISTOR 2SC2223 |
| Q18 | 8-729-901-00 | TRANSISTOR DTC124EK |
| Q19 | 8-729-271-23 | (UP TO SERIAL No.7901) ...TRANSISTOR 2SC2712 |
| Q20 | 8-729-271-23 | (UP TO SERIAL No.7901) ...TRANSISTOR 2SC2712 |
| Q21 | 8-729-159-64 | TRANSISTOR 2SD596 |
| Q22 | 8-729-100-66 | TRANSISTOR 2SC1623 |
| Q23 | 8-729-901-00 | TRANSISTOR DTC124EK |
| Q24 | 8-729-100-66 | TRANSISTOR 2SC1623 |
| Q25 | 8-729-162-45 | TRANSISTOR 2SB624-BV5 |
| Q26 | 8-729-162-45 | TRANSISTOR 2SB624-BV5 |
| Q27 | 8-729-109-42 | TRANSISTOR 2SK94-X2 |
| Q28 | 8-729-100-66 | TRANSISTOR 2SC1623 |
| Q29 | 8-729-159-64 | TRANSISTOR 2SD596 |
| Q30 | 8-729-100-66 | TRANSISTOR 2SC1623 |
| Q201 | 8-729-901-00 | TRANSISTOR DTC124EK |
| Q203 | 8-729-109-42 | TRANSISTOR 2SK94-X2 |
| Q204 | 8-729-100-66 | TRANSISTOR 2SC1623 |

| Ref.No. | Part No. | Description |
|---------|--------------|---|
| R1 | 1-216-049-00 | METAL CHIP 1K 5% 1/10W |
| R2 | 1-216-041-00 | METAL CHIP 470 5% 1/10W |
| R3 | 1-216-121-00 | METAL CHIP 1M 5% 1/10W |
| R4 | 1-216-025-00 | METAL CHIP 100 5% 1/10W |
| R5 | 1-216-045-00 | METAL CHIP 680 5% 1/10W |
| R6 | 1-216-025-00 | METAL CHIP 100 5% 1/10W |
| R7 | 1-216-025-00 | METAL CHIP 100 5% 1/10W |
| R8 | 1-216-025-00 | METAL CHIP 100 5% 1/10W |
| R9 | 1-216-061-00 | METAL CHIP 3.3K 5% 1/10W |
| R10 | 1-216-097-00 | METAL CHIP 100K 5% 1/10W |
| R11 | 1-216-059-00 | (FOR Q2:2SK508-K51) ...METAL CHIP 2.7K 5% 1/10W |
| R11 | 1-216-065-00 | (FOR Q2:2SK508-K52) ...METAL CHIP 4.7K 5% 1/10W |
| R12 | 1-216-079-00 | METAL CHIP 18K 5% 1/10W |
| R13 | 1-216-025-00 | METAL CHIP 100 5% 1/10W |
| R14 | 1-216-053-00 | METAL CHIP 1.5K 5% 1/10W |
| R15 | 1-216-057-00 | METAL CHIP 2.2K 5% 1/10W |
| R16 | 1-216-025-00 | METAL CHIP 100 5% 1/10W |
| R17 | 1-216-057-00 | METAL CHIP 2.2K 5% 1/10W |
| R18 | 1-216-049-00 | METAL CHIP 1K 5% 1/10W |
| R19 | 1-216-085-00 | METAL CHIP 33K 5% 1/10W |
| R20 | 1-216-053-00 | METAL CHIP 1.5K 5% 1/10W |
| R21 | 1-216-049-00 | METAL CHIP 1K 5% 1/10W |
| R22 | 1-216-025-00 | METAL CHIP 100 5% 1/10W |
| R23 | 1-216-115-00 | METAL CHIP 560K 5% 1/10W |
| R24 | 1-216-081-00 | METAL CHIP 22K 5% 1/10W |
| R25 | 1-216-049-00 | METAL CHIP 1K 5% 1/10W |
| R26 | 1-216-097-00 | METAL CHIP 100K 5% 1/10W |
| R27 | 1-216-043-00 | METAL CHIP 560 5% 1/10W |
| R28 | 1-216-023-00 | METAL CHIP 82 5% 1/10W |
| R29 | 1-216-081-00 | METAL CHIP 22K 5% 1/10W |
| R30 | 1-216-083-00 | METAL CHIP 27K 5% 1/10W |
| R31 | 1-216-053-00 | METAL CHIP 1.5K 5% 1/10W |
| R32 | 1-216-033-00 | METAL CHIP 220 5% 1/10W |
| R33 | 1-216-097-00 | METAL CHIP 100K 5% 1/10W |
| R34 | 1-216-049-00 | METAL CHIP 1K 5% 1/10W |
| R35 | 1-216-025-00 | METAL CHIP 100 5% 1/10W |
| R36 | 1-216-049-00 | METAL CHIP 1K 5% 1/10W |
| R37 | 1-216-001-00 | (FOR Q16 OF 2SK238-K15) ...METAL CHIP 10 5% 1/10W |
| R37 | 1-216-025-00 | (FOR Q16 OF 2SK238-K16) ...METAL CHIP 100 5% 1/10W |
| R38 | 1-216-097-00 | METAL CHIP 100K 5% 1/10W |
| R39 | 1-216-025-00 | METAL CHIP 100 5% 1/10W |
| R40 | 1-216-097-00 | METAL CHIP 100K 5% 1/10W |
| R41 | 1-216-097-00 | METAL CHIP 100K 5% 1/10W |
| R42 | 1-216-091-00 | METAL CHIP 56K 5% 1/10W |
| R43 | 1-216-043-00 | METAL CHIP 560 5% 1/10W |
| R44 | 1-216-222-00 | METAL CHIP 10K 5% 1/8W |
| R45 | 1-216-057-00 | METAL CHIP 2.2K 5% 1/10W |
| R46 | 1-216-033-00 | METAL CHIP 220 5% 1/10W |
| R47 | 1-216-091-00 | METAL CHIP 56K 5% 1/10W |
| R48 | 1-216-029-00 | METAL CHIP 150 5% 1/10W |
| R50 | 1-216-748-11 | METAL CHIP 39K 5% 1/10W |
| R51 | 1-216-049-00 | METAL CHIP 1K 5% 1/10W |
| R52 | 1-216-105-00 | (UP TO SERIAL No.7901) ...METAL CHIP 220K 5% 1/10W |

| Ref.No. | Part No. | Description |
|---------|--------------|---|
| R53 | 1-216-063-00 | (UP TO SERIAL No.7901) ...METAL CHIP 3.9K 5% 1/10W |
| R54 | 1-216-049-00 | (UP TO SERIAL No.7901) ...METAL CHIP 1K 5% 1/10W |
| R55 | 1-216-037-00 | (UP TO SERIAL No.7901) ...METAL CHIP 330 5% 1/10W |
| R56 | 1-216-049-00 | (UP TO SERIAL No.7901) ...METAL CHIP 1K 5% 1/10W |
| R57 | 1-216-059-00 | METAL CHIP 2.7K 5% 1/10W |
| R58 | 1-216-055-00 | METAL CHIP 1.8K 5% 1/10W |
| R59 | 1-216-073-00 | METAL CHIP 10K 5% 1/10W |
| R60 | 1-216-067-00 | METAL CHIP 5.6K 5% 1/10W |
| R61 | 1-216-073-00 | METAL CHIP 10K 5% 1/10W |
| R62 | 1-216-059-00 | METAL CHIP 2.7K 5% 1/10W |
| R63 | 1-216-069-00 | METAL CHIP 6.8K 5% 1/10W |
| R64 | 1-216-097-00 | METAL CHIP 100K 5% 1/10W |
| R65 | 1-216-057-00 | METAL CHIP 2.2K 5% 1/10W |
| R66 | 1-216-049-00 | METAL CHIP 1K 5% 1/10W |
| R67 | 1-216-067-00 | METAL CHIP 5.6K 5% 1/10W |
| R68 | 1-216-059-00 | METAL CHIP 2.7K 5% 1/10W |
| R69 | 1-216-097-00 | METAL CHIP 100K 5% 1/10W |
| R70 | 1-216-017-00 | METAL CHIP 47 5% 1/10W |
| R71 | 1-216-049-00 | METAL CHIP 1K 5% 1/10W |
| R72 | 1-216-091-00 | METAL CHIP 56K 5% 1/10W |
| R73 | 1-216-095-00 | METAL CHIP 82K 5% 1/10W |
| R74 | 1-216-089-00 | METAL CHIP 47K 5% 1/10W |
| R75 | 1-216-049-00 | METAL CHIP 1K 5% 1/10W |
| R76 | 1-216-025-00 | METAL CHIP 100 5% 1/10W |
| R77 | 1-216-025-00 | METAL CHIP 100 5% 1/10W |
| R78 | 1-216-025-00 | METAL CHIP 100 5% 1/10W |
| R79 | 1-216-296-00 | METAL CHIP 0 5% 1/8W |
| R81 | 1-216-296-00 | METAL CHIP 0 5% 1/8W |
| R82 | 1-216-295-00 | METAL CHIP 0 5% 1/10W |
| R83 | 1-216-059-00 | METAL CHIP 2.7K 5% 1/10W |
| R84 | 1-216-045-00 | METAL CHIP 680 5% 1/10W |
| R85 | 1-216-061-00 | METAL CHIP 3.3K 5% 1/10W |
| R86 | 1-216-033-00 | METAL CHIP 220 5% 1/10W |
| R87 | 1-216-033-00 | METAL CHIP 220 5% 1/10W |
| R88 | 1-216-295-00 | METAL CHIP 0 5% 1/10W |
| R89 | 1-216-093-00 | METAL CHIP 68K 5% 1/10W |
| R90 | 1-216-025-00 | METAL CHIP 100 5% 1/10W |
| R91 | 1-216-049-00 | METAL CHIP 1K 5% 1/10W |
| R92 | 1-216-045-00 | (UP TO SERIAL No.7901) ...METAL CHIP 680 5% 1/10W |
| R93 | 1-216-043-00 | METAL CHIP 560 5% 1/10W |
| R94 | 1-216-045-00 | METAL CHIP 680 5% 1/10W |
| R95 | 1-216-053-00 | METAL CHIP 1.5K 5% 1/10W |
| R96 | 1-249-411-11 | CARBON 330 5% 1/6W |
| R98 | 1-216-065-00 | (SERIAL No.7902 AND LATER) ...METAL CHIP 4.7K 5% 1/10W |
| R99 | 1-216-061-00 | (SERIAL No.7902 AND LATER) ...METAL CHIP 3.3K 5% 1/10W |
| R100 | 1-216-049-00 | (SERIAL No.7902 AND LATER) ...METAL CHIP 1K 5% 1/10W |
| R101 | 1-216-073-00 | (SERIAL No.7902 AND LATER) ...METAL CHIP 10K 5% 1/10W |
| R102 | 1-216-101-00 | (SERIAL No.7902 AND LATER) ...METAL CHIP 150K 5% 1/10W |

ELECTRICAL PARTS

| Ref.No. | Part No. | Description |
|---------|--------------|---|
| R103 | 1-216-049-00 | (SERIAL No.7902 AND LATER)METAL CHIP 10K 5% 1/10W |
| R104 | 1-216-101-00 | (SERIAL No.7902 AND LATER)METAL CHIP 150K 5% 1/10W |
| R105 | 1-216-053-00 | (SERIAL No.7902 AND LATER)METAL CHIP 1.5K 5% 1/10W |
| R106 | 1-216-033-00 | (SERIAL No.7902 AND LATER)METAL CHIP 220 5% 1/10W |
| R107 | 1-216-025-00 | (SERIAL No.7902 AND LATER)METAL CHIP 100 5% 1/10W |
| R110 | 1-216-097-00 | (UP TO SERIAL No.7901)METAL CHIP 100K 5% 1/10W |
| R204 | 1-216-019-00 | METAL CHIP 56 5% 1/10W |
| R205 | 1-216-105-00 | METAL CHIP 220K 5% 1/10W |
| R206 | 1-216-121-00 | METAL CHIP 1M 5% 1/10W |
| R207 | 1-216-121-00 | METAL CHIP 1M 5% 1/10W |
| R208 | 1-216-073-00 | METAL CHIP 10K 5% 1/10W |
| R209 | 1-216-073-00 | METAL CHIP 10K 5% 1/10W |
| R211 | 1-216-073-00 | METAL CHIP 10K 5% 1/10W |
| R212 | 1-216-073-00 | METAL CHIP 10K 5% 1/10W |
| R213 | 1-216-073-00 | METAL CHIP 10K 5% 1/10W |
| R214 | 1-216-025-00 | METAL CHIP 100 5% 1/10W |
| R215 | 1-216-073-00 | METAL CHIP 10K 5% 1/10W |
| R216 | 1-216-069-00 | METAL CHIP 6.8K 5% 1/10W |
| R217 | 1-216-049-00 | METAL CHIP 1K 5% 1/10W |
| R218 | 1-216-067-00 | METAL CHIP 5.6K 5% 1/10W |
| R219 | 1-216-121-00 | METAL CHIP 1M 5% 1/10W |
| R220 | 1-216-121-00 | METAL CHIP 1M 5% 1/10W |
| R222 | 1-216-109-00 | METAL CHIP 330K 5% 1/10W |
| R223 | 1-216-073-00 | METAL CHIP 10K 5% 1/10W |
| R225 | 1-216-037-00 | METAL CHIP 330 5% 1/10W |
| R226 | 1-216-073-00 | METAL CHIP 10K 5% 1/10W |
| R227 | 1-216-025-00 | METAL CHIP 100 5% 1/10W |
| R228 | 1-216-049-00 | METAL CHIP 1K 5% 1/10W |
| R229 | 1-216-073-00 | METAL CHIP 10K 5% 1/10W |
| R230 | 1-216-073-00 | METAL CHIP 10K 5% 1/10W |
| R231 | 1-216-073-00 | METAL CHIP 10K 5% 1/10W |
| R232 | 1-216-061-00 | METAL CHIP 3.3K 5% 1/10W |
| R233 | 1-216-073-00 | METAL CHIP 10K 5% 1/10W |
| R234 | 1-216-073-00 | METAL CHIP 10K 5% 1/10W |
| R235 | 1-216-073-00 | METAL CHIP 10K 5% 1/10W |
| R236 | 1-216-073-00 | (UP TO SERIAL No.7901) ...METAL CHIP 10K 5% 1/10W |
| R236 | 1-216-067-00 | (SERIAL No.7902 AND LATER)METAL CHIP 5.6K 5% 1/10W |
| R237 | 1-216-073-00 | (UP TO SERIAL No.7901)METAL CHIP 10K 5% 1/10W |
| R237 | 1-216-067-00 | (SERIAL No.7902 AND LATER)METAL CHIP. 5.6K 5% 1/10W |
| R238 | 1-216-073-00 | (UP TO SERIAL No.7901)METAL CHIP 10K 5% 1/10W |
| R238 | 1-216-067-00 | (SERIAL No.7902 AND LATER)METAL CHIP 5.6K 5% 1/10W |
| R239 | 1-216-073-00 | (UP TO SERIAL No.7901)METAL CHIP 10K 5% 1/10W |
| R239 | 1-216-067-00 | (SERIAL No.7902 AND LATER)METAL CHIP 5.6K 5% 1/10W |

ELECTRICAL PARTS

| Ref.No. | Part No. | Description |
|---------|--------------|---|
| R240 | 1-216-073-00 | METAL CHIP 10K 5% 1/10W |
| R241 | 1-216-073-00 | METAL CHIP 10K 5% 1/10W |
| R242 | 1-216-295-00 | (UP TO SERIAL No.7901) ...METAL CHIP 0 5% 1/10W |
| R243 | 1-216-073-00 | METAL CHIP 10K 5% 1/10W |
| R244 | 1-216-073-00 | METAL CHIP 10K 5% 1/10W |
| R245 | 1-216-073-00 | METAL CHIP 10K 5% 1/10W |
| R246 | 1-216-073-00 | METAL CHIP 10K 5% 1/10W |
| R247 | 1-216-073-00 | METAL CHIP 10K 5% 1/10W |
| R248 | 1-216-037-00 | (SERIAL No.7902 AND LATER)METAL CHIP 330 5% 1/10W |
| RV1 | 1-237-680-11 | RES, VAR, SLIDE 50K (VOLUME) |
| RV2 | 1-237-402-21 | (SERIAL No.7902 AND LATER) ...RES, ADJ 1K (AGC) |
| S1 | 1-570-331-11 | SWITCH, SLIDE (TONE) |
| S218 | 1-553-510-00 | SWITCH, SLIDE (MW CH STER) |
| S219 | 1-553-510-00 | SWITCH, SLIDE (MAIN POWER) |
| S220 | 1-553-510-00 | SWITCH, SLIDE (ALARM) |
| SP1 | 1-502-631-00 | SPEAKER |
| T1 | 1-404-734-11 | TRANSFORMER, IF |
| T2 | 1-404-362-41 | TRANSFORMER, IF |
| T3 | 1-448-915-11 | TRANSFORMER, DC-DC CONVERTER |
| TH1 | 1-800-200-00 | (UP TO SERIAL No.7901)..THERMISTOR S-3K |
| X1 | 1-567-840-11 | VIBRATOR, CRYSTAL |
| X201 | 1-567-769-21 | VIBRATOR, CRYSTAL |
| XF1 | 1-567-823-11 | FILTER, CRYSTAL |

ACCESSORY & PACKING MATERIAL

| Part No. | Description |
|---------------|---|
| 1-463-659-11 | (E)...ADAPTOR, AC:AC-240 |
| 1-506-409-00 | (E2)...ADAPTOR, CONVERSION |
| 1-504-059-11 | MAGNETIC EARPHONE(ME-20H) |
| 3-701-616-00 | BAG, POLYETHYLENE |
| 3-701-619-00 | BAG, POLYETHYLENE, STANDARD |
| 3-701-623-00 | BAG, POLYETHYLENE |
| *3-701-999-00 | (US,Canadian,E).....LABEL, SERIAL NUMBER |
| *3-703-264-10 | (AEP,UK,FRANCE,AUS)...LABEL, SERIAL NUMBER (B) |
| 3-898-304-01 | (E).....CARTON, INDIVIDUAL |
| 3-898-365-01 | (AEP,UK,FRANCE,AUS)...CARTON, INDIVIDUAL |
| 3-893-940-11 | GUIDE, SHORT WAVE |
| 3-898-306-01 | CUSHION |
| 3-898-360-01 | CASE, CARRYING |
| 3-898-361-01 | SHEET, PROTECTION |
| 3-990-102-11 | (AEP,UK,FRANCE,AUS,E)MANUAL, INSTRUCTION |
| 3-990-102-21 | (US,Canadian,E)MANUAL, INSTRUCTION |
| 3-990-102-41 | (AEP)....MANUAL, INSTRUCTION |
| 3-990-102-52 | (E,Saudi Arabia,MIDDLE EAST)MANUAL, INSTRUCTION |
| 3-990-102-31 | (Canadian).....MANUAL, INSTRUCTION |
| 3-898-305-01 | (US,Canadian,E)..CARTON, INDIVIDUAL |
| 3-898-386-01 | (E).....CUSHION, AC ADAPTOR |
| A-3604-136-A | ANTENNA ASSY, COMPACT |

TROUBLESHOOTING GUIDE

Should any problem occur with the unit, make the following simple checks to determine whether or not servicing is required. If the problem persists after you have made these checks, consult the nearest Sony dealer for further information.

The power is not turned on even if you press the ON/OFF button.

- Weak batteries.
- Incorrect polarity of batteries.
- The MAIN POWER switch is set to OFF.
- The KEY PROTECT is set.
- The AC power adaptor, the battery case or the car battery cord is disconnected.
- Battery operation is attempted while the AC power adaptor, the battery case or the car battery cord is connected to the unit, but not to a wall outlet or cigarette lighter socket.

Each function does not work even if operating the unit.

- The KEY PROTECT is set.

Display is dim.

- Weak batteries.
- The unit is being used in extremely high temperatures or in a place with excessive moisture.

Sound is not heard at all.

- The VOLUME control is turned down completely.
- The earphone is plugged in.

Very weak or interrupted sound, or unsatisfactory reception.

- Weak batteries.
- Tuning or antenna adjustment is not correct.
- Weak signal. → When in a vehicle or in a building, listen near a window.
- Figures on the frequency display differ a little from the acted station frequency. → Tune more precisely. (See page 12.)

The preset station cannot be received when preset tuning.

- Incorrect preset station button is pressed.
- The preset station is erased. → Preset the station again.

The radio does not turned on at the alarm-setting time.

- The STANDBY button has not been pressed.
- The alarm-setting time is erased. → Set the alarm again.
- The MAIN POWER switch is set to OFF.

ELECTRICAL PARTS

| Ref. No. | Part No. | Description |
|----------|--------------|---|
| R103 | 1-518-049-00 | (SERIAL No.7902 AND LATER) METAL CHIP 10K 5% 1/10W |
| R104 | 1-518-101-00 | (SERIAL No.7902 AND LATER) METAL CHIP 150K 5% 1/10W |
| R105 | 1-518-053-00 | (SERIAL No.7902 AND LATER) METAL CHIP 1.5K 5% 1/10W |
| R106 | 1-518-033-00 | (SERIAL No.7902 AND LATER) METAL CHIP 550 5% 1/10W |
| R107 | 1-518-052-00 | (SERIAL No.7902 AND LATER) METAL CHIP 100 5% 1/10W |
| R110 | 1-518-097-00 | (UP TO SERIAL No.7901) METAL CHIP 100K 5% 1/10W |
| R109 | 1-518-019-00 | METAL CHIP 5% 5% 1/10W |
| R202 | 1-518-102-00 | METAL CHIP 250K 5% 1/10W |
| R208 | 1-518-121-00 | METAL CHIP 1M 5% 1/10W |
| R207 | 1-518-151-00 | METAL CHIP 1M 5% 1/10W |
| R208 | 1-518-073-00 | METAL CHIP 10K 5% 1/10W |
| R209 | 1-518-073-00 | METAL CHIP 10K 5% 1/10W |
| R211 | 1-518-073-00 | METAL CHIP 10K 5% 1/10W |
| R212 | 1-518-073-00 | METAL CHIP 10K 5% 1/10W |
| R213 | 1-518-073-00 | METAL CHIP 10K 5% 1/10W |
| R214 | 1-518-052-00 | METAL CHIP 100 5% 1/10W |
| R215 | 1-518-073-00 | METAL CHIP 10K 5% 1/10W |
| R216 | 1-518-069-00 | METAL CHIP 6.8K 5% 1/10W |
| R217 | 1-518-049-00 | METAL CHIP 1K 5% 1/10W |
| R218 | 1-518-067-00 | METAL CHIP 5.6K 5% 1/10W |
| R219 | 1-518-151-00 | METAL CHIP 1M 5% 1/10W |
| R220 | 1-518-151-00 | METAL CHIP 1M 5% 1/10W |
| R222 | 1-518-109-00 | METAL CHIP 330K 5% 1/10W |
| R223 | 1-518-073-00 | METAL CHIP 10K 5% 1/10W |
| R224 | 1-518-073-00 | METAL CHIP 10K 5% 1/10W |
| R225 | 1-518-073-00 | METAL CHIP 10K 5% 1/10W |
| R226 | 1-518-073-00 | METAL CHIP 10K 5% 1/10W |
| R227 | 1-518-052-00 | METAL CHIP 100 5% 1/10W |
| R228 | 1-518-049-00 | METAL CHIP 1K 5% 1/10W |
| R229 | 1-518-073-00 | METAL CHIP 10K 5% 1/10W |
| R230 | 1-518-073-00 | METAL CHIP 10K 5% 1/10W |
| R231 | 1-518-073-00 | METAL CHIP 10K 5% 1/10W |
| R232 | 1-518-081-00 | METAL CHIP 3.3K 5% 1/10W |
| R233 | 1-518-073-00 | METAL CHIP 10K 5% 1/10W |
| R234 | 1-518-073-00 | METAL CHIP 10K 5% 1/10W |
| R235 | 1-518-073-00 | METAL CHIP 10K 5% 1/10W |
| R236 | 1-518-073-00 | METAL CHIP 10K 5% 1/10W |
| R236 | 1-518-073-00 | (UP TO SERIAL No.7901) METAL CHIP 10K 5% 1/10W |
| R236 | 1-518-067-00 | (SERIAL No.7902 AND LATER) METAL CHIP 5.6K 5% 1/10W |
| R237 | 1-518-073-00 | (UP TO SERIAL No.7901) METAL CHIP 10K 5% 1/10W |
| R237 | 1-518-067-00 | (SERIAL No.7902 AND LATER) METAL CHIP 2.5K 5% 1/10W |
| R238 | 1-518-073-00 | (UP TO SERIAL No.7901) METAL CHIP 10K 5% 1/10W |
| R238 | 1-518-067-00 | (SERIAL No.7902 AND LATER) METAL CHIP 2.5K 5% 1/10W |
| R239 | 1-518-073-00 | (UP TO SERIAL No.7901) METAL CHIP 10K 5% 1/10W |
| R239 | 1-518-067-00 | (SERIAL No.7902 AND LATER) METAL CHIP 2.5K 5% 1/10W |
| R239 | 1-518-067-00 | (SERIAL No.7902 AND LATER) METAL CHIP 2.5K 5% 1/10W |

ICF-7600DA/7700

SONY® SERVICE MANUAL

AEP Model
UK Model
E Model
AUS Model
ICF-7600DA
US Model
Canadian Model
ICF-7700

SUPPLEMENT-1

File this supplement-1 with the service manual.

Subject:

- Main board change
- Italian model addition
- Revise of EXPLODED VIEWS

- Distinction between AEP model and Italian model a part of indication of display window differs between AEP and Italian model.

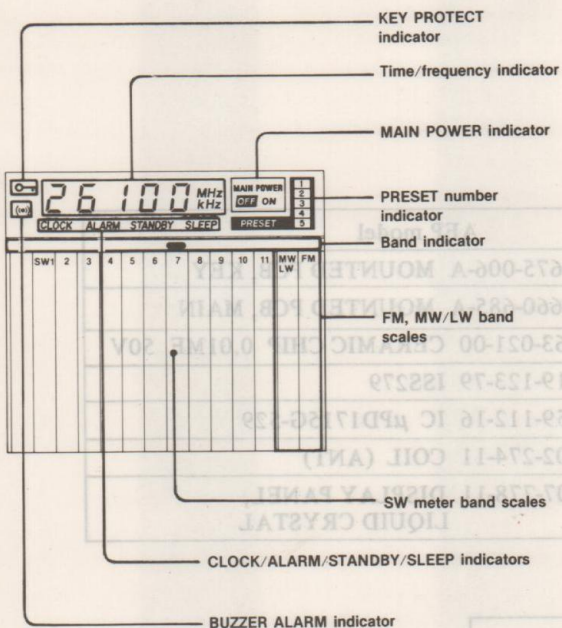
AEP model : SW1 to 12

Italian model : SW1 to 11

— Italian model —

Display window

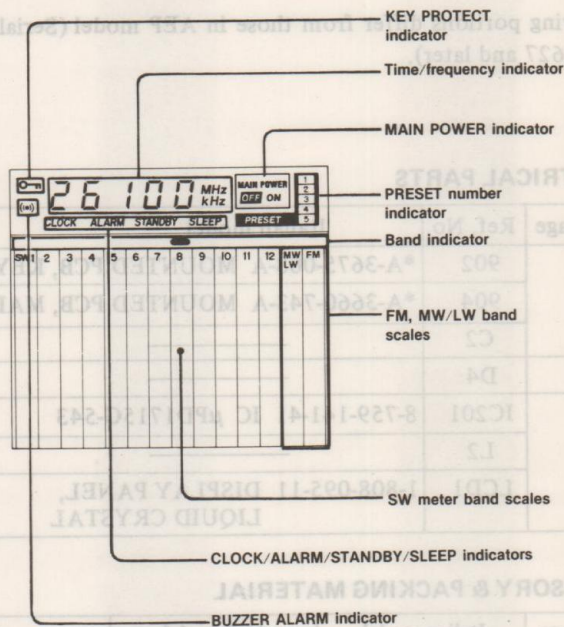
The indications appear as follows.



— AEP model —

Display window

The indications appear as follows.



1. Main board has been changed.

Applicable Serial No.: 62627 and later.

Because of this, schematic diagram has partly changed.

NOTE:

CAPACITORS:
MF: μ F, PF: μ μF.

- Following parts differ with former type and new type.

| Ref. No. | Former | | | New | | | Remarks |
|----------|-------------------------------|---------------|-------|----------------------------|------------------|-------------------|---------|
| | from Serial No. 7902 to 62626 | | | Serial No. 62627 and later | | | |
| C20 | ELECT | 33MF | 6.3V | 1-126-205-11 | ELECT | 47MF 6.3V | changed |
| C44 | CERAMIC | 0.022MF | 25V | 1-161-051-00 | CERAMIC | 0.01MF 25V | changed |
| C48 | CERAMIC | 0.022MF | 25V | 1-161-051-00 | CERAMIC | 0.01MF 25V | changed |
| C83 | ELECT | 4.7MF | 25V | 1-126-198-11 | ELECT | 4.7MF 35V | changed |
| C84 | ELECT | 0.47MF | 50V | 1-135-083-00 | TANTALUM CHIP | 0.47MF 25V | changed |
| C106 | TANTALUM CHIP | 1MF | 25V | 1-162-638-11 | CERAMIC CHIP | 1MF 16V | changed |
| C211 | CERAMIC CHIP | 36PF | 50V | 1-163-102-00 | CERAMIC CHIP | 24PF 50V | changed |
| R81 | METAL CHIP | 0 Ω | 1/8W | | | | deleted |
| R88 | METAL CHIP | 0 Ω | 1/10W | | | | deleted |
| R99 | METAL CHIP | 3.3k Ω | 1/10W | 1-216-060-00 | METAL GLAZE CHIP | 3k Ω 1/10W | changed |

2. Italian model addition

The set of Italian model is almost the same as the one of AEP model (Serial No. 62627 and later).

Therefore, refer to ICF-7600DA/7700 Service Manual previously issued and this supplement for the information of Italian model.

Following portions differ from those in AEP model (Serial No. 62627 and later).

ELECTRICAL PARTS

| S/M page | Ref. No. | Italian model | AEP model |
|----------|----------|--|--|
| 51 | 902 | *A-3675-008-A MOUNTED PCB, KEY | A-3675-006-A MOUNTED PCB, KEY |
| | 904 | *A-3660-743-A MOUNTED PCB, MAIN | A-3660-685-A MOUNTED PCB, MAIN |
| | C2 | _____ | 1-163-021-00 CERAMIC CHIP 0.01MF 50V |
| 52 | D4 | _____ | 8-719-123-79 ISS279 |
| 53 | IC201 | 8-759-141-41 IC μ PD1715G-543 | 8-759-112-16 IC μ PD1715G-529 |
| | L2 | _____ | 1-402-274-11 COIL (ANT) |
| | LCD1 | 1-808-095-11 DISPLAY PANEL, LIQUID CRYSTAL | 1-807-778-11 DISPLAY PANEL, LIQUID CRYSTAL |

ACCESSORY & PACKING MATERIAL

| S/M page | Italian model | AEP model | Description |
|----------|---------------|--------------|---------------------|
| 55 | 3-898-393-01 | 3-898-365-01 | CARTON, INDIVIDUAL |
| | _____ | 3-990-102-11 | MANUAL, INSTRUCTION |
| | 3-990-102-61 | 3-990-102-41 | MANUAL, INSTRUCTION |

● Service manual page 1.
SPECIFICATIONS

Frequency rang FM: US, Canadian model: 76.0-108.0 MHz
AEP, Italian, UK, E, AUS model: 87.5-108.0 MHz
MW: Except for Italian model: 530-1,700 kHz
Italian model : 531-1,602 kHz
LW: Except for Italian model: 150-285 kHz
Italian model : 147-285 kHz
SW: Except for Italian model: 90-11 meter SW broadcast bands
Italian model : 75-11 meter SW broadcast bands

● Service manual page 5.

1-2. OUTLINE OF THE C-MOS DIGITAL-TUNING SYSTEM IC201, μ PD1715G-529 (μ PD1715G-543).

1-2-1. OUTLINE OF THE STATION-SELECTION

1) Receiving-frequency Coversages:

The following table shows the frequency coversages the μ PD1715G-529 (μ PD1715G-543) can receive.

| BAND | METER BAND | FREQUENCY COVERAGE | CHANNEL SEPARATION | NUMBER OF CHANNEL | NOMINAL SPACING | INTERMEDIATE FREQUENCY |
|------|----------------------|--|--------------------|-------------------|-----------------|------------------------|
| LW | | 150kHz ~ 285kHz (147kHz~285kHz) | 3kHz | 46ch (47ch) | 3kHz | 10.71MHz |
| MW1 | | 531kHz ~ 1,602kHz | 3kHz | 359ch | 3kHz | 10.71MHz |
| MW2 | | 530kHz ~ 1,700kHz | 5kHz | 235ch | 5kHz | 10.71MHz |
| SW | 90m *1 | 3,050kHz ~ 3,565kHz | 5kHz | 104ch | 5kHz | 10.71MHz |
| | 75m | 3,700kHz ~ 4,215kHz (3,850kHz~4,365kHz) | 5kHz | 104ch | 5kHz | 10.71MHz |
| | 60m | 4,650kHz ~ 5,165kHz | 5kHz | 104ch | 5kHz | 10.71MHz |
| | 49m | 5,800kHz ~ 6,315kHz | 5kHz | 104ch | 5kHz | 10.71MHz |
| | 41m | 6,950kHz ~ 7,465kHz | 5kHz | 104ch | 5kHz | 10.71MHz |
| | 31m | 9,375kHz ~ 10,010kHz | 5kHz | 128ch | 5kHz | 10.71MHz |
| | 25m | 11,525kHz ~ 12,160kHz | 5kHz | 128ch | 5kHz | 10.71MHz |
| | 21m | 13,375kHz ~ 14,010kHz | 5kHz | 128ch | 5kHz | 10.71MHz |
| | 19m | 14,975kHz ~ 15,610kHz | 5kHz | 128ch | 5kHz | 10.71MHz |
| FM | 16m | 17,475kHz ~ 18,110kHz | 5kHz | 128ch | 5kHz | 10.71MHz |
| | 13m | 21,325kHz ~ 21,960kHz | 5kHz | 128ch | 5kHz | 10.71MHz |
| | 11m | 25,475kHz ~ 26,100kHz | 5kHz | 126ch | 5kHz | 10.71MHz |
| | FM1 | 87.50MHz ~ 108.00MHz | 50 kHz | 411ch | 50kHz | 10.7MHz |
| FM2 | 76.00MHz ~ 108.00MHz | 50 kHz | 641ch | 50kHz | 10.7MHz | |

NOTE: LW and MW1 (or MW2) bands are taken into a single band in the μ PD1715G-529 (μ PD1715G-543).

(()): Italian model
*1 : Italian model has no 90m band.

● Service manual page 9.

| PIN Nr. | SYMBOL | NAMING | DESCRIPTION | | | | | | | | | | | | | | | | | | | | | | | | | | | | | | | | | | | | | | | | | | | | | | | | | | | | | | | | | | | | |
|------------------|---------------------------------------|--------|--|------------------|---------------------------------------|-----|-----|------------|---------|-----|------|-------------|---------|-----|------|----------|---------|-----|------|----------|---------|-----|------|----------|---------|-----|------|----------|---------|-----|------|----------|---------|------|-----|----------|---------|------|-----|----------|---------|------|-----|----------|---------|------|-----|----------|---------|------|-----|----------|---------|------|-----|----------|---------|-----|------|---------|---------|-----|-----|
| (cont'd) | | | | | | | | | | | | | | | | | | | | | | | | | | | | | | | | | | | | | | | | | | | | | | | | | | | | | | | | | | | | | | | |
| | | | <table border="1"> <thead> <tr> <th>BAND (METERBAND)</th> <th>BAND-OUTPUT CODE (BINARY) MSB ← → LSB</th> <th>SWH</th> <th>SWL</th> </tr> </thead> <tbody> <tr> <td>LW/MW1/MW2</td> <td>0 0 1 0</td> <td>Low</td> <td>High</td> </tr> <tr> <td>SW (90m) *1</td> <td>0 0 1 1</td> <td>Low</td> <td>High</td> </tr> <tr> <td>SW (75m)</td> <td>0 1 0 0</td> <td>Low</td> <td>High</td> </tr> <tr> <td>SW (60m)</td> <td>0 1 0 1</td> <td>Low</td> <td>High</td> </tr> <tr> <td>SW (49m)</td> <td>0 1 1 0</td> <td>Low</td> <td>High</td> </tr> <tr> <td>SW (41m)</td> <td>0 1 1 1</td> <td>Low</td> <td>High</td> </tr> <tr> <td>SW (31m)</td> <td>1 0 0 0</td> <td>High</td> <td>Low</td> </tr> <tr> <td>SW (25m)</td> <td>1 0 0 1</td> <td>High</td> <td>Low</td> </tr> <tr> <td>SW (21m)</td> <td>1 0 1 0</td> <td>High</td> <td>Low</td> </tr> <tr> <td>SW (19m)</td> <td>1 0 1 1</td> <td>High</td> <td>Low</td> </tr> <tr> <td>SW (16m)</td> <td>1 1 0 0</td> <td>High</td> <td>Low</td> </tr> <tr> <td>SW (13m)</td> <td>1 1 0 1</td> <td>High</td> <td>Low</td> </tr> <tr> <td>SW (11m)</td> <td>1 1 1 0</td> <td>Low</td> <td>High</td> </tr> <tr> <td>FM1/FM2</td> <td>1 1 1 1</td> <td>Low</td> <td>Low</td> </tr> </tbody> </table> | BAND (METERBAND) | BAND-OUTPUT CODE (BINARY) MSB ← → LSB | SWH | SWL | LW/MW1/MW2 | 0 0 1 0 | Low | High | SW (90m) *1 | 0 0 1 1 | Low | High | SW (75m) | 0 1 0 0 | Low | High | SW (60m) | 0 1 0 1 | Low | High | SW (49m) | 0 1 1 0 | Low | High | SW (41m) | 0 1 1 1 | Low | High | SW (31m) | 1 0 0 0 | High | Low | SW (25m) | 1 0 0 1 | High | Low | SW (21m) | 1 0 1 0 | High | Low | SW (19m) | 1 0 1 1 | High | Low | SW (16m) | 1 1 0 0 | High | Low | SW (13m) | 1 1 0 1 | High | Low | SW (11m) | 1 1 1 0 | Low | High | FM1/FM2 | 1 1 1 1 | Low | Low |
| BAND (METERBAND) | BAND-OUTPUT CODE (BINARY) MSB ← → LSB | SWH | SWL | | | | | | | | | | | | | | | | | | | | | | | | | | | | | | | | | | | | | | | | | | | | | | | | | | | | | | | | | | | | |
| LW/MW1/MW2 | 0 0 1 0 | Low | High | | | | | | | | | | | | | | | | | | | | | | | | | | | | | | | | | | | | | | | | | | | | | | | | | | | | | | | | | | | | |
| SW (90m) *1 | 0 0 1 1 | Low | High | | | | | | | | | | | | | | | | | | | | | | | | | | | | | | | | | | | | | | | | | | | | | | | | | | | | | | | | | | | | |
| SW (75m) | 0 1 0 0 | Low | High | | | | | | | | | | | | | | | | | | | | | | | | | | | | | | | | | | | | | | | | | | | | | | | | | | | | | | | | | | | | |
| SW (60m) | 0 1 0 1 | Low | High | | | | | | | | | | | | | | | | | | | | | | | | | | | | | | | | | | | | | | | | | | | | | | | | | | | | | | | | | | | | |
| SW (49m) | 0 1 1 0 | Low | High | | | | | | | | | | | | | | | | | | | | | | | | | | | | | | | | | | | | | | | | | | | | | | | | | | | | | | | | | | | | |
| SW (41m) | 0 1 1 1 | Low | High | | | | | | | | | | | | | | | | | | | | | | | | | | | | | | | | | | | | | | | | | | | | | | | | | | | | | | | | | | | | |
| SW (31m) | 1 0 0 0 | High | Low | | | | | | | | | | | | | | | | | | | | | | | | | | | | | | | | | | | | | | | | | | | | | | | | | | | | | | | | | | | | |
| SW (25m) | 1 0 0 1 | High | Low | | | | | | | | | | | | | | | | | | | | | | | | | | | | | | | | | | | | | | | | | | | | | | | | | | | | | | | | | | | | |
| SW (21m) | 1 0 1 0 | High | Low | | | | | | | | | | | | | | | | | | | | | | | | | | | | | | | | | | | | | | | | | | | | | | | | | | | | | | | | | | | | |
| SW (19m) | 1 0 1 1 | High | Low | | | | | | | | | | | | | | | | | | | | | | | | | | | | | | | | | | | | | | | | | | | | | | | | | | | | | | | | | | | | |
| SW (16m) | 1 1 0 0 | High | Low | | | | | | | | | | | | | | | | | | | | | | | | | | | | | | | | | | | | | | | | | | | | | | | | | | | | | | | | | | | | |
| SW (13m) | 1 1 0 1 | High | Low | | | | | | | | | | | | | | | | | | | | | | | | | | | | | | | | | | | | | | | | | | | | | | | | | | | | | | | | | | | | |
| SW (11m) | 1 1 1 0 | Low | High | | | | | | | | | | | | | | | | | | | | | | | | | | | | | | | | | | | | | | | | | | | | | | | | | | | | | | | | | | | | |
| FM1/FM2 | 1 1 1 1 | Low | Low | | | | | | | | | | | | | | | | | | | | | | | | | | | | | | | | | | | | | | | | | | | | | | | | | | | | | | | | | | | | |

NOTE: Also refer to 1-2-4. Description On Displaying Function on later pages.

*1: Italian model has no 90m band.

● Service manual page 11.

| UP (⇨) DOWN (⇩) | Shortwave Meterband Change | The shortwave receiving spectrum is divided into 12 (twelve) *1 broadcast bands. Each band up to 41-meter band is further divided into 104 channels, and each band up to 13-meter band is further divided into 128 channels. The 11-meter band is divided into 126 channel. |
|--------------------|----------------------------|---|
| | | <p>a) When the "UP" key is pressed while receiving a shortwave band, the receiving band changes to the next higher band successively. When the SW12 (11-meter) *2 band is reached, however, the band changes to the lowest band, i.e., SW1 (90-meter) *3 band. The band indicator on the LCD moves appropriately each time the band is changed.</p> <p>b) When the "DOWN" key is pressed while receiving a shortwave band, the receiving band changes to the next adjacent lower band successively. When the SW1 (90-meter) *3 band is reached, however, the band changes to the highest band, i.e., SW12 (11-meter) *2 band. The band indicator on the LCD moves appropriately each time the band is changed.</p> <p>c) When the "UP" or "DOWN" key is kept depressed approximately for more than 500 msec, the band changes up or down to the adjacent band at an interval of approximately 250 msec until the lowest or the highest band is reached at which the band changing ceases.</p> <p>d) When the SW band is changed up and down, the receiver receives the same channel number allocated for this receiver as the last channel of the last band. When the band is changed from SW6 (31-meter) *4 to SW5 (41-meter) *5 and the receiving channel has been higher than the channel 104, however, the receiver receives the channel 104, i.e., the highest channel of these lower shortwave band group of this receiver. When the band is changed from SW12 (11-meter) *2 to SW1 (90-meter) *3 band and the receiving channel has been higher than the channel 102, the receiver receives the channel 102.</p> |

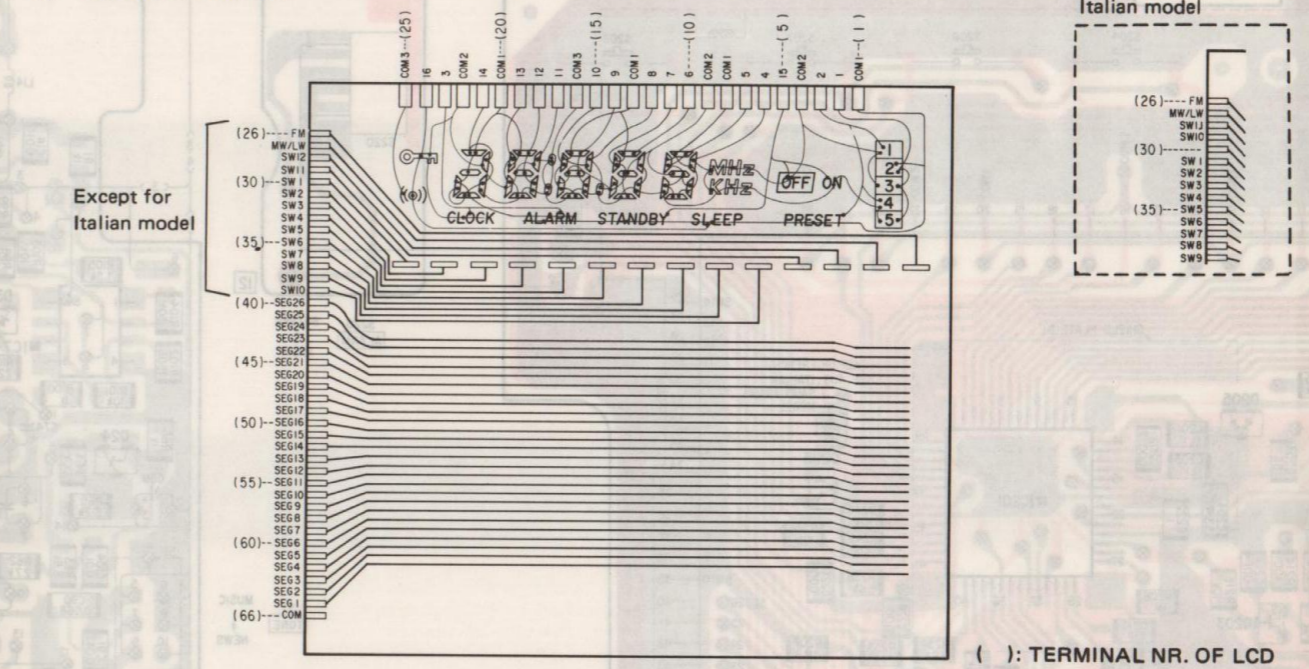
*1-5 are as follows in Italian model.
*1: 11 (eleven)
*2: SW11 (11-meter)
*3: SW1 (75-meter)
*4: SW5 (31-meter)
*5: SW4 (41-meter)

● Service manual page 18.

1-4. ON THE NEW LCD PANEL, LCD1

This radio uses a new liquid-crystal display panel incorporating dial pointer itself, band indicator, ordinal frequency and clock indicators, etc. The outline of this LCD is as follows.

1) Outline of Pinouts:



Except for Italian model

Italian model

(()): TERMINAL NR. OF LCD

● Service manual page 19.

CLOCK-FREQUENCY ADJUSTMENT

Procedure:

- Adjust CT201 so that the reading on the frequency counter becomes in 10.860000 MHz (10.710 MHz + 0.150 MHz).
- Hit the FM button. The band should become in FM and the frequency on the LCD panel of the set should be 76.00 MHz (US, Canadian model) or 87.5 MHz (AEP, Italian, UK, E, AUS model).
- Hit the SW button. The band should become in the SW1 and the frequency on the LCD panel of the set should be 3,050 kHz (Except for Italian model) or 3,850 kHz (Italian model).

● Service manual page 23.

SW TRACKING ADJUSTMENT

Procedure and Adjustment Location:

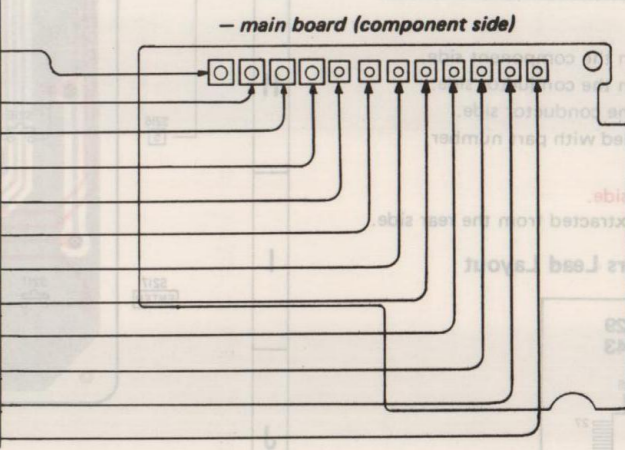
- Check and verify the VCO voltages on the LPF line at both the lowest and highest frequency points as shown. See page 20 for the LPF line.

| LOW ENDS | HIGH ENDS |
|--------------------------------------|--|
| VCO(L) : 150kHz VCO(H) : 9,375kHz | VCO(L) : 7,465kHz VCO(H) : 21,960 kHz |
| 1.50 ~ 2.00V | 12.5 ~ 15.5V |

VCO(L) : MW/LW~SW5, SW12 (Except for Italian model)
MW/LW~SW4, SW11 (Italian model)
VCO(H) : SW6~SW11 (Except for Italian model)
SW5~SW10 (Italian model)

| Adjust for a maximum reading on the VTVM. | | |
|---|------------------------|-----|
| SW1* | 3,300kHz | L2 |
| SW2((SW1)) | 3,950kHz (4,100kHz) | L3 |
| SW3((SW2)) | 4,900kHz | L4 |
| SW4((SW3)) | 6,060kHz | L5 |
| SW5((SW4)) | 7,200kHz | L6 |
| SW6((SW5)) | 9,700kHz | L7 |
| SW7((SW6)) | 11,850kHz | L8 |
| SW8((SW7)) | 13,700kHz | L9 |
| SW9((SW8)) | 15,300kHz | L10 |
| SW10((SW9)) | 17,800kHz | L11 |
| SW11((SW10)) | 21,600kHz | L12 |
| SW12((SW11)) | 25,800kHz | L13 |

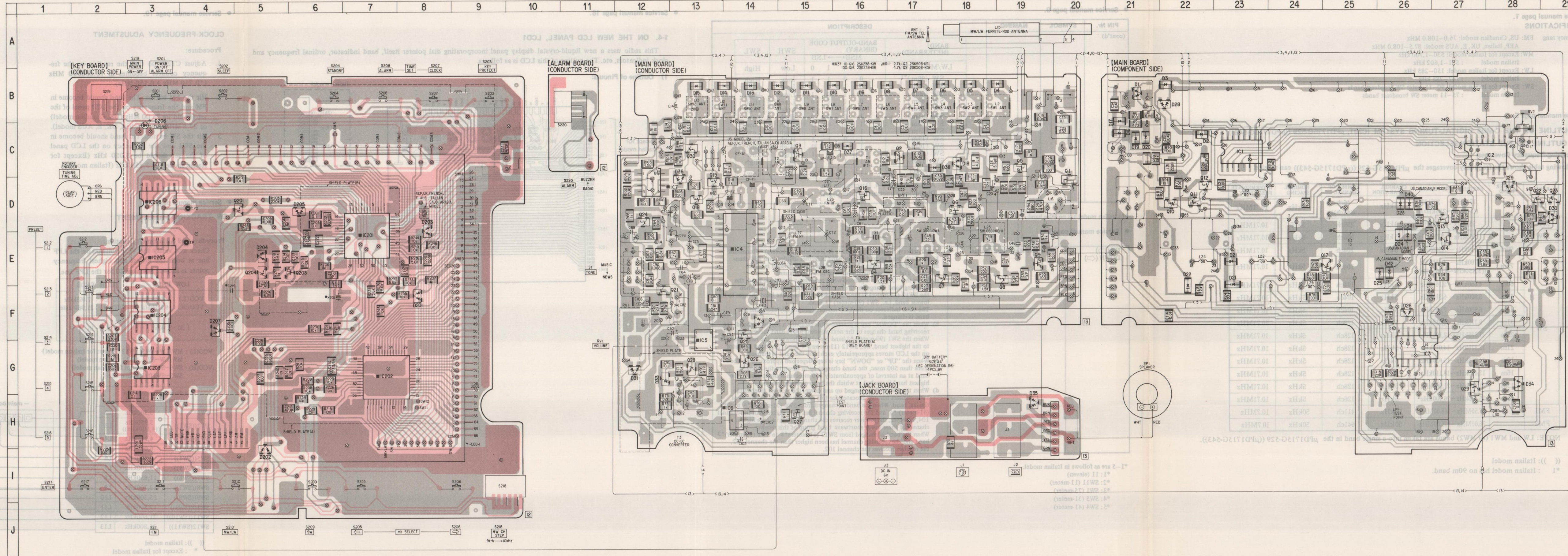
(()): Italian model
* : Except for Italian model



3. PRINTED WIRING BOARD (SERIAL No. 62,627 AND LATER)

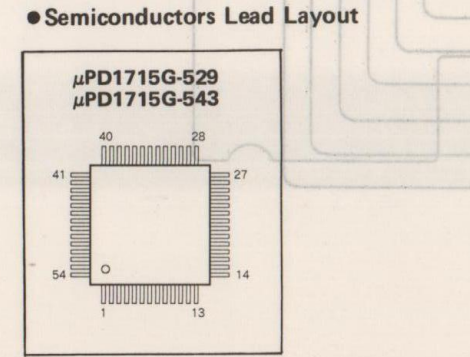
● SEMICONDUCTOR LOCATION

| Ref. No. | Location | Ref. No. | Location |
|----------|----------|----------|----------|
| D1 | B-21 | IC1 | C-23 |
| D2 | C-22 | IC2 | C-28 |
| D3 | B-22 | IC3 | G-26 |
| D4 | B-18 | IC4 | E-14 |
| D5 | B-18 | IC5 | G-13 |
| D6 | B-17 | IC6 | H-14 |
| D7 | B-17 | IC7 | D-12 |
| D8 | B-16 | IC201 | F-7 |
| D9 | B-15 | IC202 | G-3 |
| D10 | B-15 | IC203 | G-3 |
| D11 | B-15 | IC204 | F-3 |
| D12 | B-14 | IC205 | F-3 |
| D13 | B-14 | IC206 | D-3 |
| D14 | B-13 | | |
| D15 | B-13 | | |
| D16 | C-21 | Q1 | C-20 |
| D17 | C-21 | Q2 | C-17 |
| D18 | C-21 | Q3 | C-16 |
| D19 | C-21 | Q4 | C-15 |
| D20 | C-21 | Q5 | C-19 |
| D21 | F-23 | Q6 | D-18 |
| D22 | F-22 | Q7 | F-18 |
| D23 | F-22 | Q8 | F-19 |
| D24 | F-26 | Q9 | E-19 |
| D25 | F-26 | Q10 | D-22 |
| D26 | F-26 | Q11 | D-22 |
| D28 | D-22 | Q12 | D-22 |
| D29 | D-22 | Q13 | D-22 |
| D30 | G-12 | Q14 | E-27 |
| D31 | G-12 | Q15 | D-13 |
| D32 | F-27 | Q16 | D-16 |
| D33 | G-12 | Q17 | E-24 |
| D34 | H-28 | Q18 | F-13 |
| D35 | G-19 | Q21 | D-13 |
| D36 | C-13 | Q22 | D-28 |
| D37 | C-24 | Q23 | D-28 |
| D38 | C-18 | Q24 | D-12 |
| D40 | D-40 | Q25 | G-14 |
| D41 | D-40 | Q26 | G-14 |
| D42 | F-26 | Q27 | H-15 |
| D201 | F-8 | Q28 | G-13 |
| D202 | I-5 | Q29 | G-28 |
| D203 | D-8 | Q30 | G-13 |
| D204 | F-5 | Q201 | D-5 |
| D205 | D-6 | Q203 | D-5 |
| D206 | B-3 | Q204 | F-5 |
| D207 | F-4 | | |



Note:

- : parts extracted from the component side.
- : parts extracted from the conductor side.
- : parts mounted on the conductor side.
- : parts mounted on the rear side.
- ⊕ : indicates side identified with part number.
- ⊗ : Through hole.
- ⊙ : Pattern of the rear side.
- : Chip components extracted from the rear side.



4. SCHEMATIC DIAGRAM

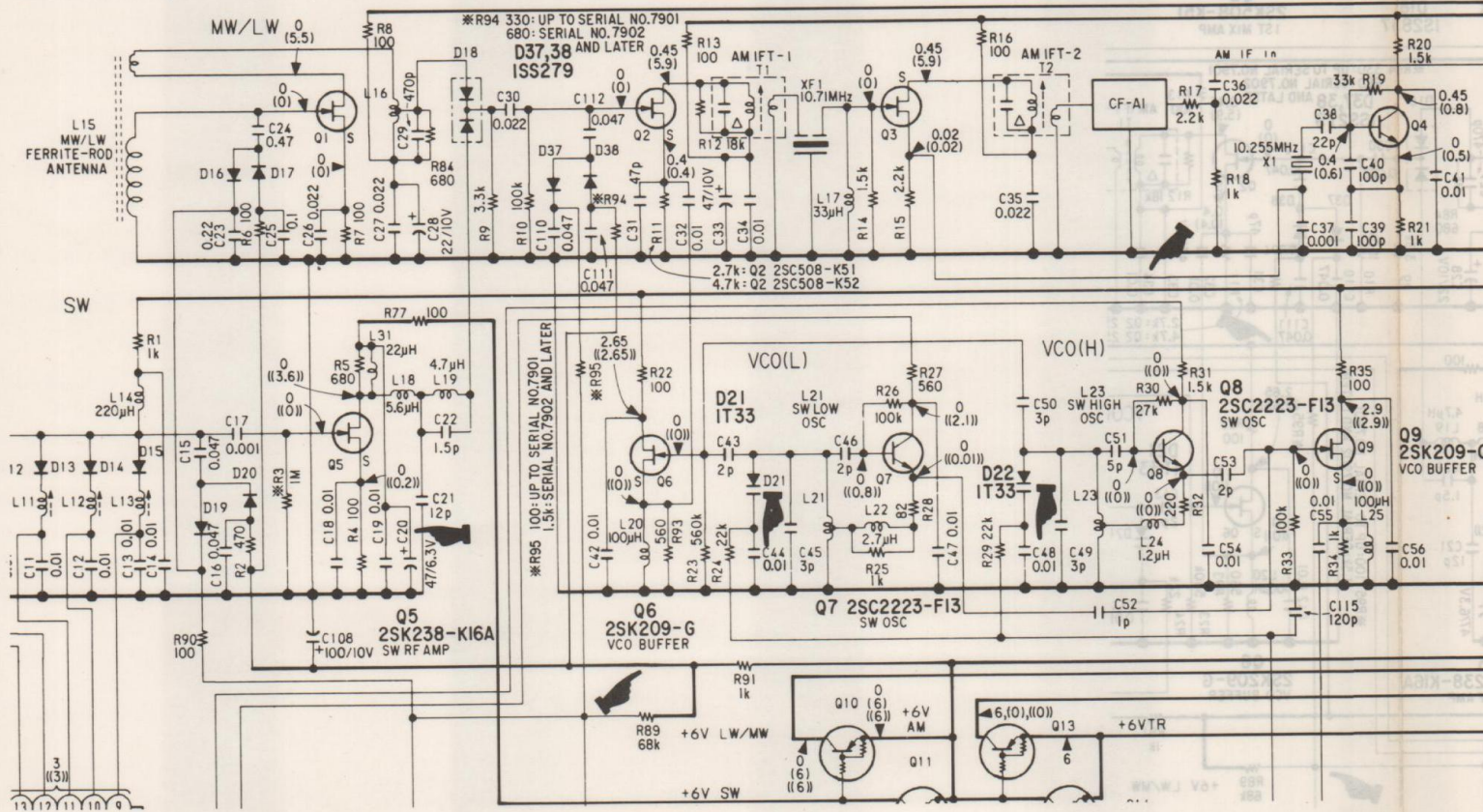
The following portions have been changed from Serial No. 62,627 and later

: changed portion

— Main board —

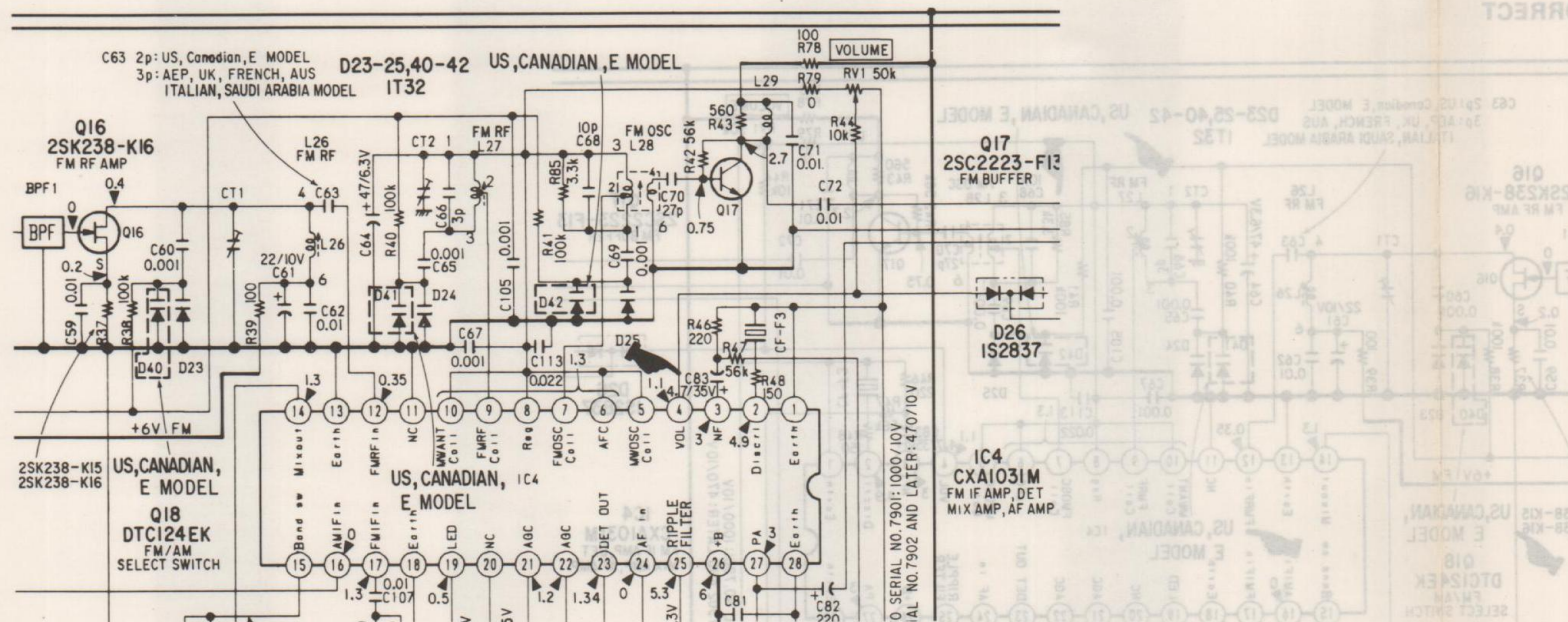
Service manual pages 31, 32

2nd MIX AMP, SW RF AMP, VCO BUFFER, AM B+ Section



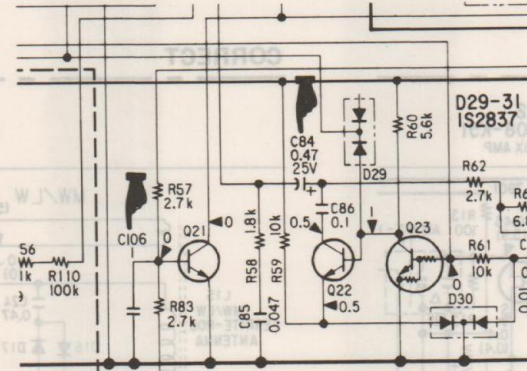
Service manual page 33

FM IF AMP, DET MIX AMP, AF AMP (IC4) Section



Service manual page 33

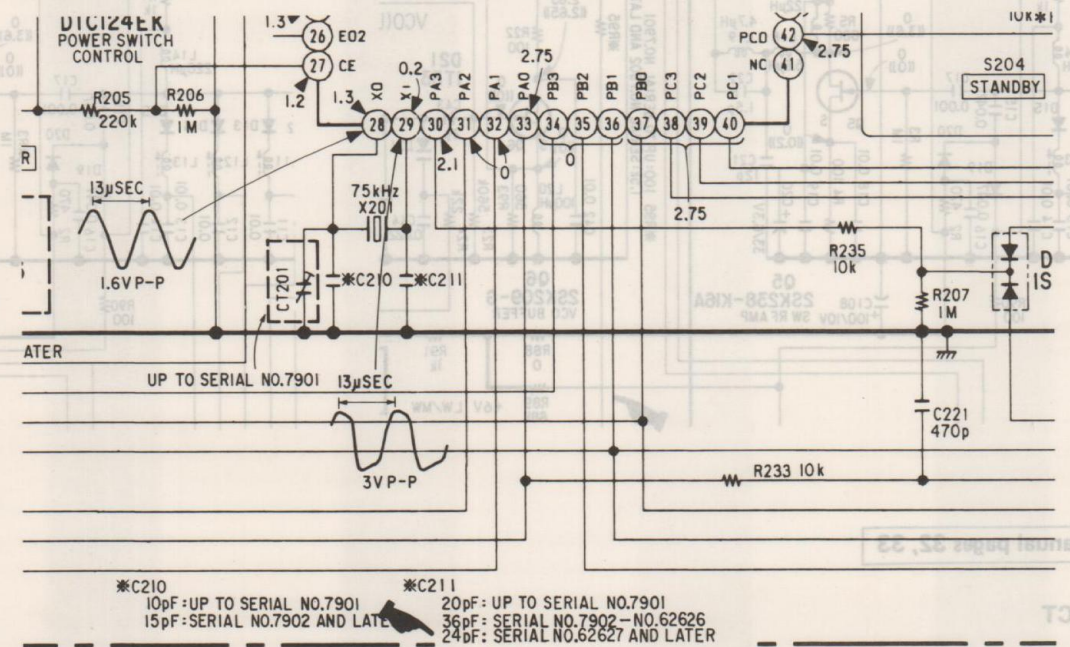
MUTING Section



— Key board —

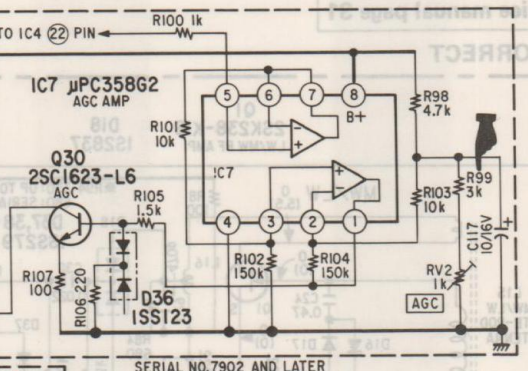
Service manual page 40

RX CONTROLLER / LCD DRIVER (IC201) Section



Service manual page 33

AGC AMP (IC7) Section



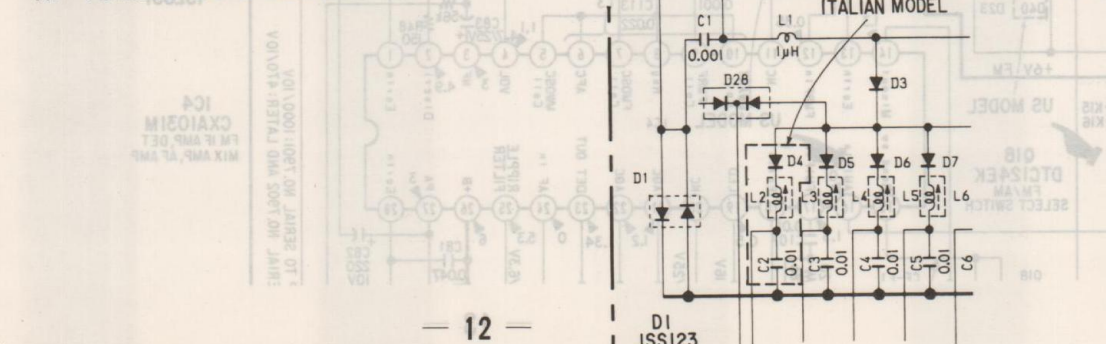
— Italian model —

The schematic diagram in Italian model is the same as those in AEP model except for the following portion.

: different portion

Service manual page 31

RF TUNING COIL Section



CORRECTION

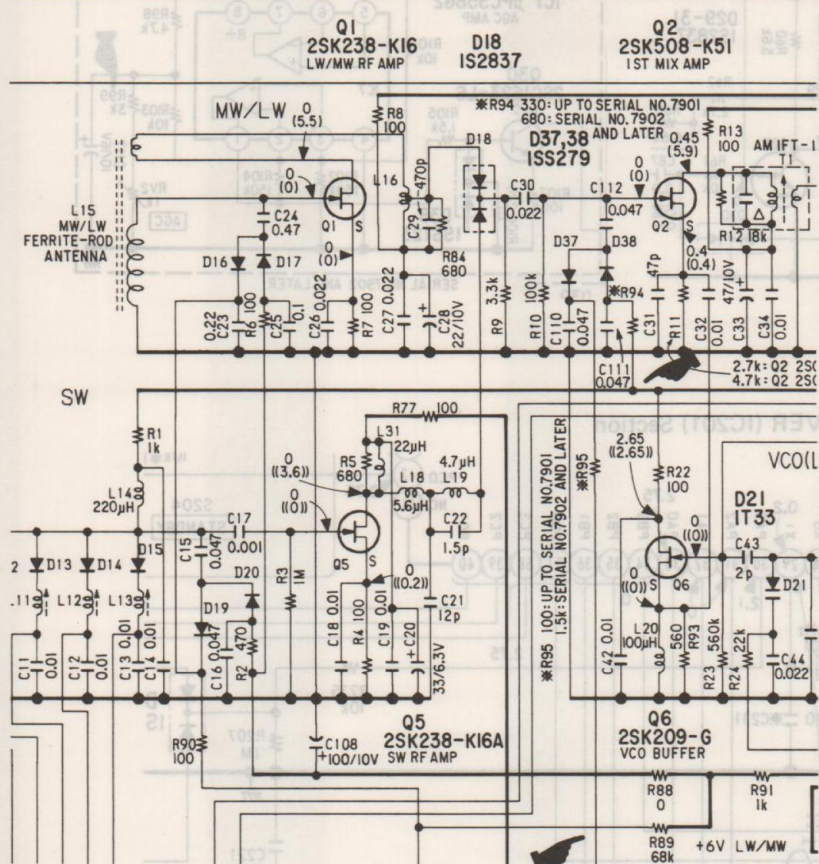
✶ : CORRECTED PORTION

Correct Schematic Diagram as show below.

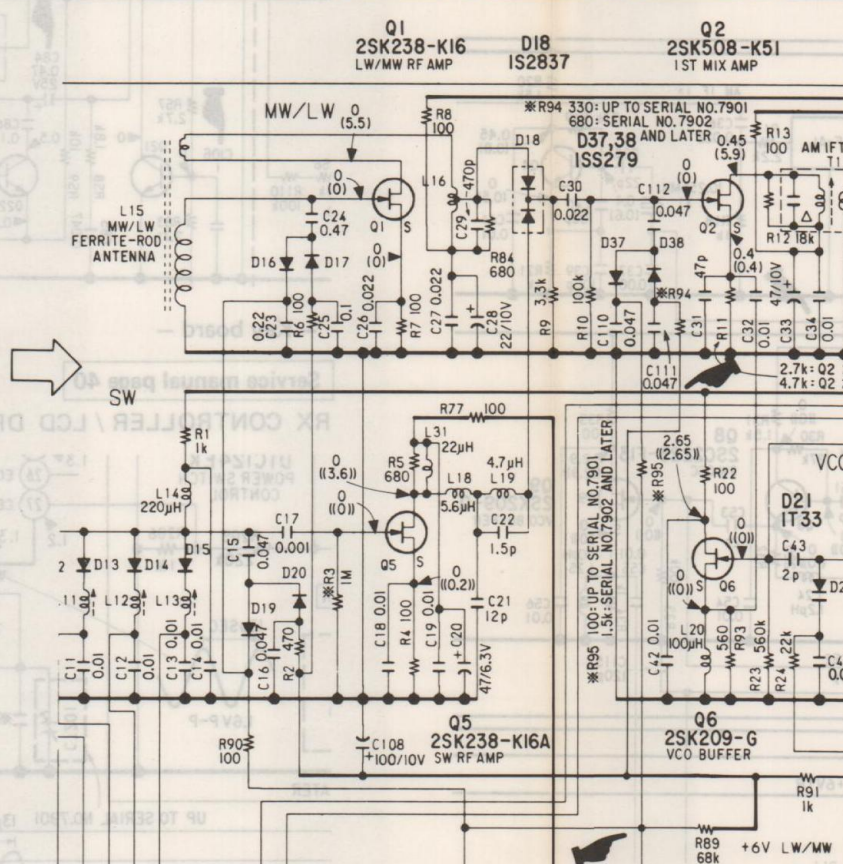
— Main board —

Service manual page 31

INCORRECT

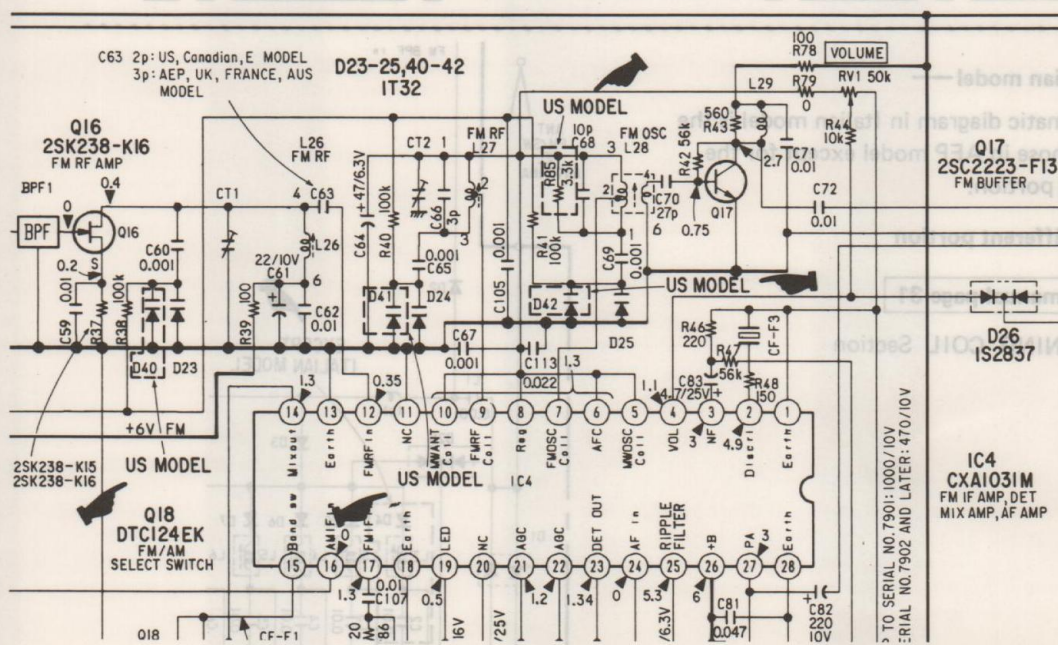


CORRECT

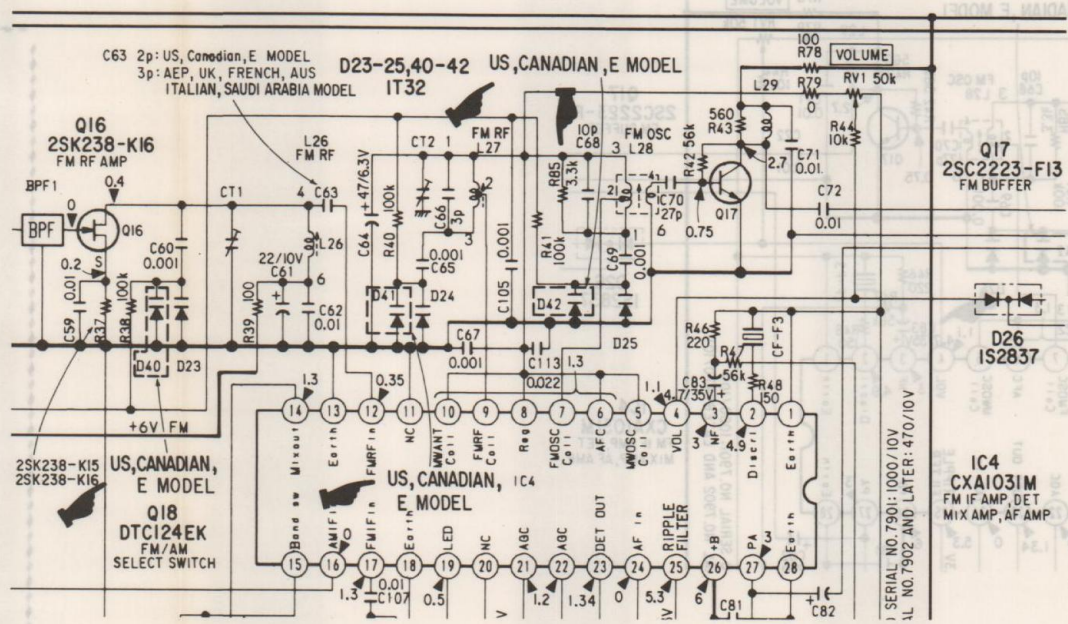


Service manual pages 32, 33

INCORRECT



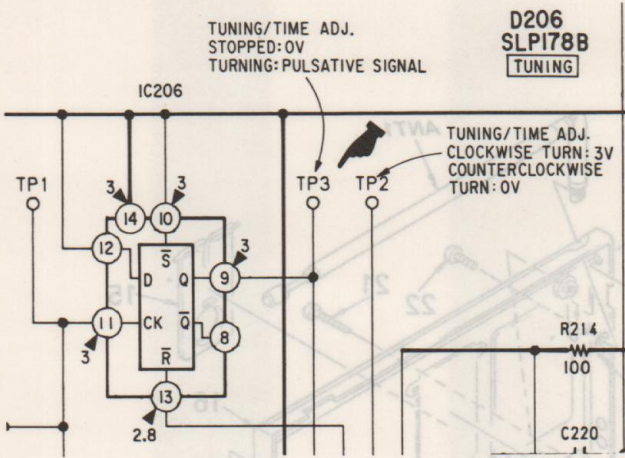
CORRECT



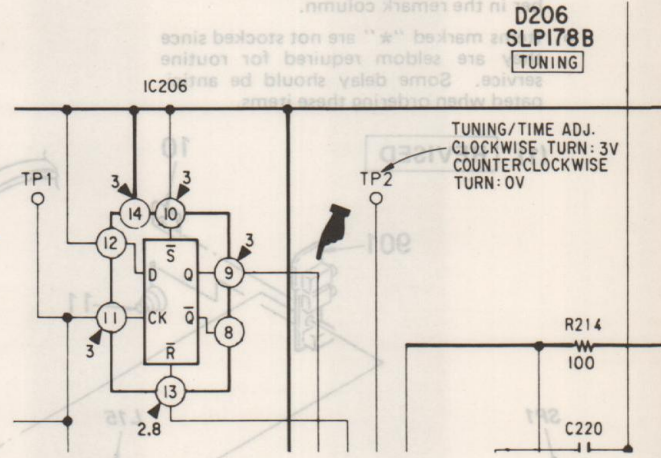
- Key board -

Service manual page 39

INCORRECT

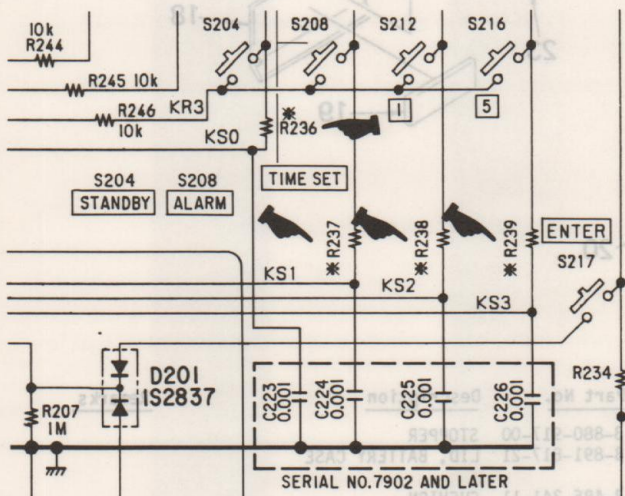


CORRECT

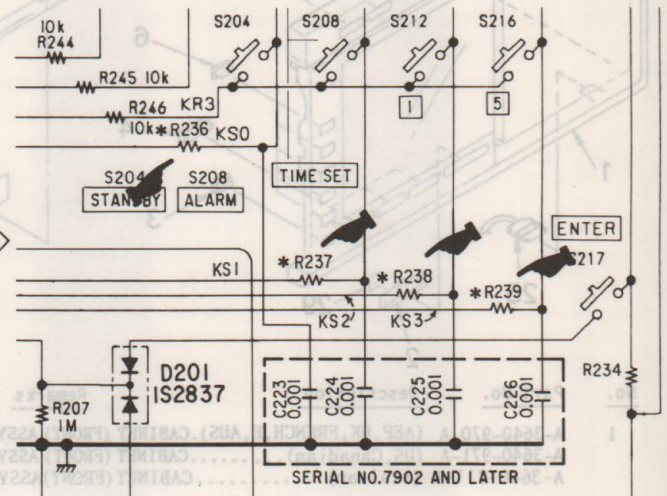


Service manual page 41

INCORRECT



CORRECT



5. EXPLODED VIEWS

NOTE:

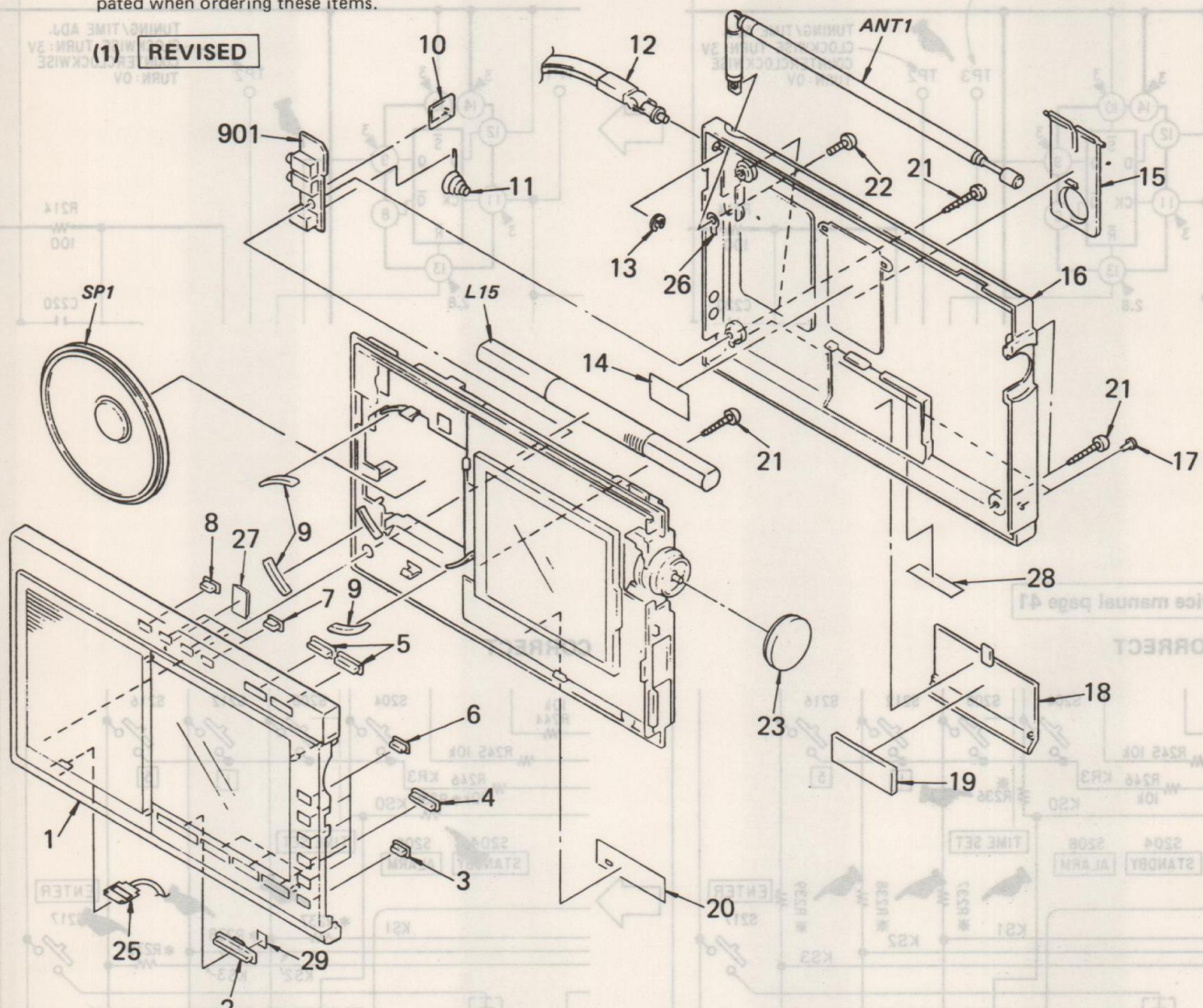
- The mechanical parts with no reference number in the exploded views are not supplied.
- The construction parts of an assembled part are indicated with a collation number in the remark column.
- Items marked "*" are not stocked since they are seldom required for routine service. Some delay should be anticipated when ordering these items.

- Due to standardization, parts with part number suffix -XX and -X may be different from the parts specified in the components used on the set.

Service manual page 39

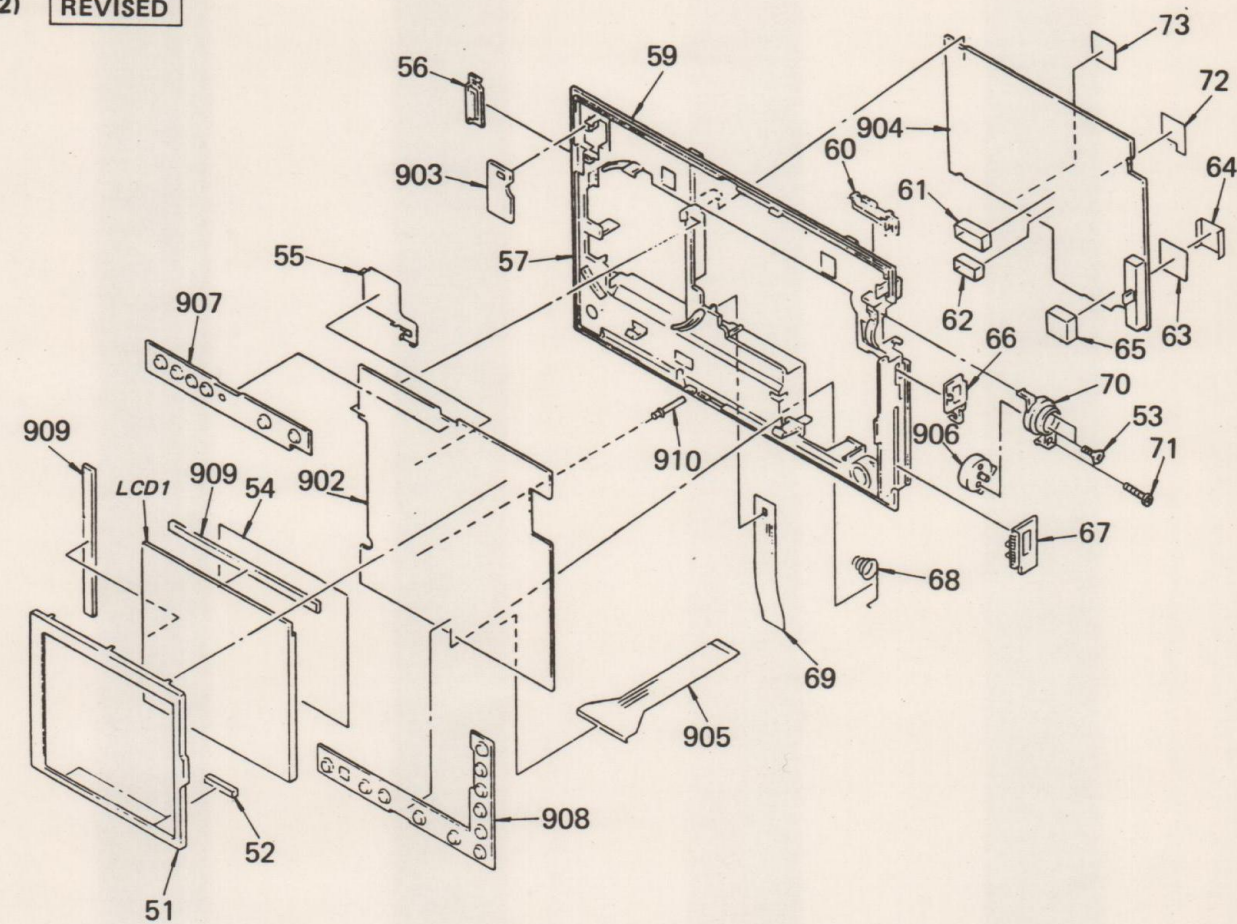
Service manual page 41

(1) REVISED



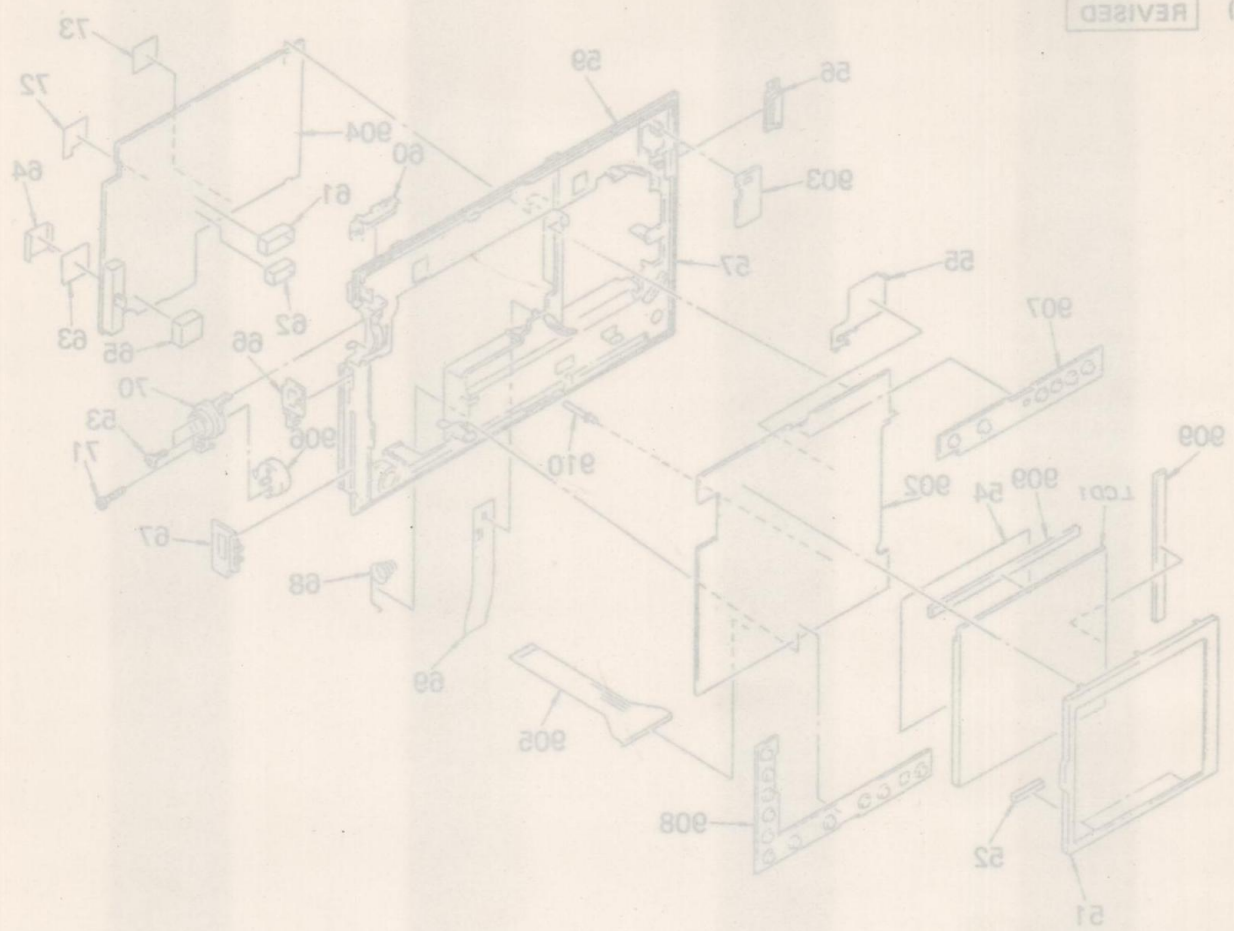
| No. | Part No. | Description | Remarks | No. | Part No. | Description | Remarks |
|-----|--|------------------------|---------|------|---------------|--|---------|
| 1 | A-3640-970-A (AEP, UK, FRENCH, E, AUS) | CABINET (FRONT) ASSY | | 17 | 3-880-917-00 | STOPPER | |
| | A-3640-971-A (US, Canadian) | CABINET (FRONT) ASSY | | 18 | 3-891-817-21 | LID, BATTERY CASE | |
| | A-3640-211-A (Italian) | CABINET (FRONT) ASSY | | 19 | 3-485-341-11 | CUSHION | |
| 2 | 3-898-327-01 | BUTTON, SELECT | | 20 | *3-898-301-01 | LABEL, (MM CH) STEP | |
| 3 | 3-898-336-11 | BUTTON, SET | | 21 | 7-685-151-19 | SCREW +P 3X20 TYPE2 NON-SLIT | |
| 4 | 3-898-335-01 | BUTTON, BAND | | 22 | 7-682-146-09 | SCREW +P 3X5 | |
| 5 | 3-898-338-01 | BUTTON, POWER | | 23 | X-3898-307-1 | KNOB ASSY, TUNING | |
| 6 | 3-898-337-01 | BUTTON, MEMORY | | 25 | 3-898-358-01 | TERMINAL, GROUND | |
| 7 | 3-898-336-01 | BUTTON, SET | | 26 | 3-898-362-01 | LUG, PLATE | |
| 8 | 3-898-336-21 | BUTTON, SET | | 27 | 9-911-839-XX | SPACER (C) | |
| 9 | 3-881-931-00 | CUSHION, SPEAKER | | 28 | *3-703-264-11 | (EXCEPT for US, Canadian) LABEL (B), SERIAL NUMBER | |
| 10 | 3-898-322-01 | TERMINAL, BATTERY | | | *3-701-999-00 | (US, Canadian) LABEL, SERIAL NUMBER | |
| 11 | 3-889-819-00 | SPRING | | 29 | 3-330-681-01 | SHEET | |
| 12 | 3-891-813-11 | STRAP, HAND | | 901 | *1-622-119-11 | PC BOARD, JACK | |
| 13 | 7-624-104-04 | STOP RING 2.0, TYPE -E | | ANT1 | 1-501-376-11 | ANTENNA, TELESCOPIC | |
| 14 | *3-898-323-01 | COVER, STAND | | L15 | 1-402-275-11 | ANTENNA, FERRITE-ROD (LW/MW) | |
| 15 | 3-898-324-01 | STAND | | SP1 | 1-502-631-00 | SPEAKER | |
| 16 | 3-898-317-11 (US, Canadian) | LID, REAR, CABINET | | | | | |
| | 3-898-317-21 (AEP, UK, FRENCH, AUS, E) | LID, REAR, CABINET | | | | | |
| | 3-898-817-31 (Italian) | LID, REAR, CABINET | | | | | |

(2) REVISED



| No. | Part No. | Description | Remarks | No. | Part No. | Description | Remarks |
|-----|-------------------------------|---------------------------|---------|------|-------------------------------------|--|---------|
| 51 | *3-898-333-01 | HOLDER, LCD | | 70 | *3-898-321-01 | HOLDER | |
| 52 | 3-898-349-01 | CUSHION (A) | | 71 | 7-685-534-19 | SCREW +B 2.6X8 | |
| 53 | 3-892-318-00 | SCREW, SMALL | | 72 | X-3898-321-2 | PLATE ASSY, SHIELD | |
| 54 | 3-898-350-01 | CUSHION (B) | | 73 | *X-3898-306-1 | PLATE (C) ASSY, SHIELD | |
| 55 | *3-898-311-01 | PLATE (B), SHIELD | | 902 | A-3675-005-A (US, Canadian, E) | MOUNTED PCB, KEY | |
| 56 | 3-898-318-01 (EXCEPT for 2E3) | KNOB, SLIDE | | | A-3675-006-A (AEP, UK, FRENCH, AUS) | MOUNTED PCB, KEY | |
| | 3-898-318-21 (2E3) | KNOB, SLIDE | | | *A-3675-008-A (Italian) | MOUNTED PCB, KEY | |
| 59 | *3-898-316-01 | CHASSIS | | 903 | *1-622-121-11 | PC BOARD, ALARM | |
| 60 | 3-898-318-11 | KNOB, SLIDE | | 904 | A-3660-679-A (US, Canadian, E) | MOUNTED PCB, MAIN | |
| 61 | *3-898-342-01 | CASE (FM RF), SHIELD | | | A-3660-685-A (AEP, UK, FRENCH, AUS) | MOUNTED PCB, MAIN | |
| 62 | *3-898-343-01 | CASE (FM OSC), SHIELD | | | *A-3660-743-A (Italian) | MOUNTED PCB, MAIN | |
| 63 | *X-3898-305-1 | PLATE ASSY, SHIELD, D/D P | | 905 | 1-622-135-11 | PC BOARD, FLEXIBLE | |
| 64 | X-3898-304-1 | PLATE (A) ASSY, SHIELD | | 906 | 1-464-788-11 | ENCODER, ROTARY | |
| 65 | *3-898-345-01 | CASE, SHIELD, D/D M | | 907 | 1-571-057-11 | SWITCH, RUBBER KEY (S205, 206, 209-217) | |
| 66 | 3-898-319-01 | KNOB, TONE | | 908 | 1-571-058-11 | SWITCH, RUBBER KEY (S201-204, 207, 108) | |
| 67 | 3-898-320-01 | KNOB, VOLUME | | 909 | 1-535-655-11 | CONDUCTOR (CONNECTION) | |
| 68 | 3-883-423-00 | SPRING | | 910 | 1-535-666-11 | TERMINAL | |
| 69 | *3-898-341-01 | CLOTH, DRAWER, BATTERY | | LCD1 | 1-807-777-11 | (US, Canadian, E) DISPLAY PANEL, LIQUID CRYSTAL | |
| | | | | | 1-807-778-11 | (AEP, UK, FRANCE, AUS) DISPLAY PANEL, LIQUID CRYSTAL | |
| | | | | | 1-808-095-11 | (Italian) DISPLAY PANEL, LIQUID CRYSTAL | |

REVISED (S)



| No. | Part No. | Description | Remarks |
|-----|---------------|--|---------|
| 21 | *3-888-333-01 | HOLDER, LCD | |
| 22 | 3-888-349-01 | CUSHION (A) | |
| 23 | 3-885-318-00 | SCREW, SMALL | |
| 24 | 3-888-380-01 | CUSHION (B) | |
| 25 | *3-888-311-01 | PLATE (B), SHIELD | |
| 26 | 3-888-318-01 | (EXCEPT FOR 2E3)...KNOB, SLIDE | |
| 27 | 3-888-318-21 | (2E3)...KNOB, SLIDE | |
| 28 | *3-888-316-01 | CHASSIS | |
| 29 | 3-888-318-11 | KNOB, SLIDE | |
| 30 | *3-888-345-01 | CASE (FM RF), SHIELD | |
| 31 | *3-888-343-01 | CASE (FM OSC), SHIELD | |
| 32 | *X-3888-308-1 | PLATE ASSY, SHIELD, D/D P | |
| 33 | X-3888-304-1 | PLATE (A) ASSY, SHIELD | |
| 34 | *3-888-342-01 | CASE, SHIELD, D/D M | |
| 35 | 3-888-319-01 | KNOB, TONE | |
| 36 | 3-888-320-01 | KNOB, VOLUME | |
| 37 | 3-883-453-00 | SPRING | |
| 38 | *3-888-341-01 | CLOTH, DRAWER, BATTERY | |
| 70 | *3-888-321-01 | HOLDER | |
| 71 | 1-888-234-18 | SCREW + 8.5x8 | |
| 72 | X-3888-321-2 | PLATE ASSY, SHIELD | |
| 73 | *X-3888-306-1 | PLATE (C) ASSY, SHIELD | |
| 902 | A-3678-002-A | (US, Canadian, E)...MOUNTED PCB, KEY | |
| 903 | A-3675-006-A | (AEP, UK, FRENCH, AUS)...MOUNTED PCB, KEY | |
| 904 | *A-3675-008-A | (Italian)...MOUNTED PCB, KEY | |
| 903 | *1-652-151-11 | PC BOARD, ALARM | |
| 904 | A-3660-678-A | (US, Canadian, E)...MOUNTED PCB, MAIN | |
| 905 | A-3660-682-A | (AEP, UK, FRENCH, AUS)...MOUNTED PCB, MAIN | |
| 906 | *A-3660-743-A | (Italian)...MOUNTED PCB, MAIN | |
| 902 | 1-652-138-11 | PC BOARD, FLEXIBLE | |
| 908 | 1-464-788-11 | ENCODER, ROTARY | |
| 907 | 1-571-057-11 | SWITCH, RUBBER KEY (2502, 508, 509, 517) | |
| 908 | 1-571-058-11 | SWITCH, RUBBER KEY (2501, 504, 507, 108) | |
| 909 | 1-528-682-11 | CONDUCTOR (CONNECTION) | |
| 910 | 1-525-666-11 | TERMINAL | |
| 911 | 1-807-777-11 | (US, Canadian, E) | |
| 912 | 1-807-778-11 | (AEP, UK, FRANCE, AUS) | |
| 913 | 1-808-092-11 | (Italian) | |

Sony Corporation
Audio Group

English
88A0298-1
Printed in Japan
©1988.1

9-952-684-81