

Uniden®

R1 LONG RANGE Radar/Laser Detector

User's Manual



CUSTOMER CARE

At Uniden®, we care about you!

If you need assistance, please do NOT return this product to your place of purchase.

Save your receipt/proof of purchase for warranty.

Quickly find answers to your questions by:

1. Reading your owner's manual.
2. Visiting our customer support website at www.uniden.com.

Images in this manual may differ slightly from your actual product.

DISCLAIMER: Radar detectors are illegal in some states. Some states prohibit mounting any object on your windshield. Check applicable law in your state and any state in which you use the product to verify that using and mounting a radar detector is legal. Uniden radar detectors are not manufactured and/or sold with the intent to be used for illegal purposes. Drive safely and exercise caution while using this product. Do not change settings of the product while driving. Uniden expects consumer's use of these products to be in compliance with all local, state, and federal law. Uniden expressly disclaims any liability arising out of or related to your use of this product.

CONTENTS

CUSTOMER CARE.....	2
FEATURES.....	5
WHAT'S IN THE BOX	6
PARTS OF THE R1	6
NON-KEY ELEMENTS.....	7
POWER CORD.....	8
INSTALL AND TURN ON R1	9
INSTALL	9
Windshield	9
Dashboard.....	9
TURN ON.....	9
MENU SYSTEM.....	10
BASIC OPERATIONS	14
FEATURE DETAILS	15
HIGHWAY VS CITY MODE	15
POP MODE	16
DARK MODE	16
SCAN DISPLAY	16
MODE DISPLAY.....	17
ALARM PRIORITIES.....	17
THREAT	18
AUTO MUTE	18
BOGEY TONES	19
MAINTENANCE.....	19
MAINTAINING THE EQUIPMENT	19
UPDATING THE FIRMWARE.....	19
TROUBLESHOOTING.....	19
SPECIFICATIONS	20
FCC/INDUSTRY CANADA INFORMATION	21
ONE-YEAR LIMITED WARRANTY	22

UNIDEN

LONG RANGE RADAR/LASER DETECTOR

USER'S MANUAL

R1

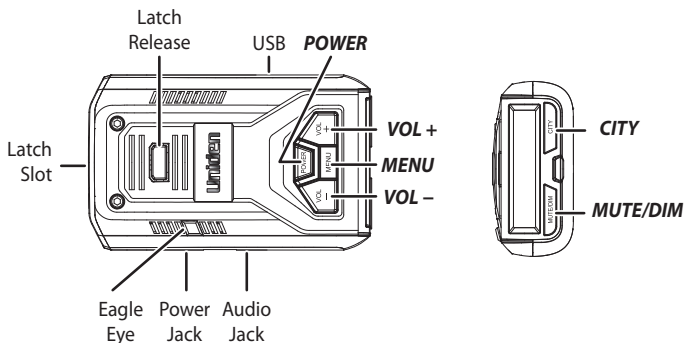
FEATURES

- Super Long Range Laser Radar Detection
- Voice Notifications
- Radar band frequency displays
- Easy to read OLED display (multicolors)
- Advanced K and Ka band filters
- Invisible to VG-2™ and Spectre I/IV/IV+™ radar detectors; Spectre I and IV undetectable
- Displays Signal Strength and Vehicle Battery Voltage
- 12 X, K, Ka, MRCD, and Laser band selectable alert tones
- 5 Bogey tones
- Auto mute volume
- Dark mode brightness setting
- 8 Selectable background colors

WHAT'S IN THE BOX

			
R1 Radar Detector	12V DC Power Cord with RJ11 Connector	Windshield Mounting Bracket (1 Suction Cup)	Windshield Mounting Bracket (2 Suction Cups)
Not Shown: Hook and Loop Fastener Tape Owner's Manual			

PARTS OF THE R1



KEY	PRESS TO...	PRESS AND HOLD TO...
POWER	Turn R1 on and off.	NA

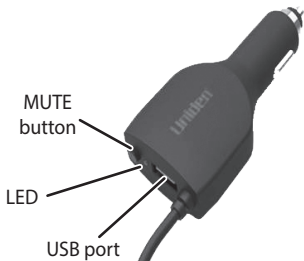
KEY	PRESS TO...	PRESS AND HOLD TO...
VOL +	<ul style="list-style-type: none"> Turn volume up (7 levels: 0 - 6; Default = 4). In Menus, go to next item. 	NA
VOL -	<ul style="list-style-type: none"> Turn volume down (7 levels: 0 - 6; Default = 4). In Menus, go to previous item. 	
MENU	<ul style="list-style-type: none"> Access the Menu system. In the Menu system, press to cycle through and select options for the current menu item. 	Exit the Menu system.
MUTE/DIM	<p>MUTE (See page 18 to have the unit automatically mute the alarm after 3 seconds.)</p> <ul style="list-style-type: none"> MUTE on - Press MUTE/DIM to mute an alarm. Returns to normal operation 10 seconds after the alert ends or if a different band is detected during Mute mode. <i>Mute On</i> displays for a few seconds. MUTE off - Press MUTE/DIM to restore audible alarms before the 10 second automatic mute time-out. 	<p>DIM - Changes the display and key backlight brightness.</p> <ul style="list-style-type: none"> Bright (Default) Dim Dimmer Dark (Dark is off unless there is an alert.) Off (Off regardless of whether or not there is an alert.)
CITY	Press to change modes between HIGHWAY, CITY, and ADVANCED.	NA

NON-KEY ELEMENTS

ELEMENT	WHAT IT DOES
Eagle Eye	Provides a 360° monitoring radius.
Latch Slot	Insert the bracket latch into this slot.
Mini USB	Provides PC connection for data updates.
Audio Jack	Plug in headset.

ELEMENT	WHAT IT DOES
Eject	Press to release the bracket latch.
Power Jack	Plug the 12V Power Cord here.
Signal Strength	Displays how strong the signal received is (5 levels).

POWER CORD



ELEMENT	WHAT IT DOES
MUTE button	Press the mute button to mute an alarm. It returns to normal operation 10 seconds after the alert ends or if a different band is detected during Mute mode. <i>Mute On</i> displays on the R1 for a few seconds. See page 18 to have the unit automatically mute the alarm after 3 seconds.
MUTE button (Cont)	Press and hold the mute button to change the display and key backlight brightness. <ul style="list-style-type: none"> • Bright (Default) • Dim • Dimmer • Dark (Dark is off unless there is an alert.) • Off (Off regardless of whether or not there is an alert.)
LED (Red)	Off: Power is off. Steady on: Power is on. Flashing: Receiving an alert. The faster it flashes, the stronger the signal.
USB Port	Use this USB port to charge mobile devices.

INSTALL AND TURN ON R1

You can mount the R1 on the windshield (bracket included) or on the dashboard (hook and loop tape included).

INSTALL

Windshield

When you mount the R1 on the windshield, mount it in the middle of the windshield between the driver and passenger. Be sure there are no obstructions and that there is a clear view through the back window.

1. Attach the rubber suction cups to the bracket and push the cups firmly onto the windshield.
2. Slide the unit onto the bracket until it clicks into place.
3. Plug the power cord into the R1 and plug the cigarette lighter adapter into the vehicle's cigarette lighter.
4. The R1 automatically turns on and runs through a self test cycle.

Release the R1 from the bracket by pressing the Eject key on top of the detector.

Dashboard

The same types of mounting requirements for the windshield apply for mounting the unit on the dashboard.

Do not put the tape over vents. Always leave vents uncovered.

1. Attach the unit to the dashboard using the hook and loop fastener tape.
2. Plug the power cord into the R1 and plug the cigarette lighter adapter into the vehicle's cigarette lighter.
3. The R1 automatically turns on and runs through a self test cycle.

Pull the unit from the dashboard, separating the hook and loop tape.

TURN ON

1. Inert the power cord's RJ11 connector into the R1's power jack.
2. Insert the power cord's cigarette lighter adapter into the vehicle's cigarette lighter port.
3. The R1 automatically turns on and runs through a systems check.

MENU SYSTEM

Menus let you set up the system to your own requirements. You can turn different bands on and off and set specific items such as auto mute.

Press **MENU** to access the Menu system. The screen displays the selection's current status. For example, if you press **MENU** and the screen displays *Voice: ON*, you have the option of turning Voice to OFF.

Use the following keys to navigate the menus:

- **MENU**: Change a menu item setting (press and hold to exit the Menu system).
- **VOL +** : Go to the next Menu item.
- **VOL -** : Go to the previous Menu item.

MENU ITEM	WHAT IT DOES	SETTINGS
Highway	Changes band sensitivity as follows: <ul style="list-style-type: none">• Highway - Full Sensitivity• City - X and K band sensitivity reduced. Ka band sensitivity same as Highway.• Advanced - User adjusts X, K, and Ka band sensitivity from 100% - 30% in 10% intervals. <p><i>If Advanced is selected, select Attenuation levels for the X, K, and Ka bands. See page 15 for details.</i></p>	Highway (Default) City Advanced
Voice	Turns voice alert on or off under the following conditions: <ul style="list-style-type: none">• Type of radar/laser• Band alarms	On (Default) Off
Ka Frequency Voice Alert	Announces the detected Ka band frequency.	On Off (Default)

MENU ITEM	WHAT IT DOES	SETTINGS
X Band	Turn off to have the detector ignore X band frequencies. Turn on for X band sensitivity as follows: <ul style="list-style-type: none"> • Highway: Full sensitivity • City: X band sensitivity reduced 	On Off (Default)
K Band	Turn off to have the detector ignore K band frequencies.	On (Default) Off
Ka Band	Turn off to have the detector ignore Ka band frequencies.	On (Default) Off
Laser	Turn off to have the detector ignore lasers.	On (Default) Off
K POP	Detects K POP transmissions (very brief transmissions, too fast for some detectors to hear).	On Off (Default)
MRCD	Activates MultiRadar CD/CT low-powered radar gun detection.	On Off (Default)
Ka POP	Detects Ka POP transmissions (very brief transmissions, too fast for some detectors to hear).	On Off (Default)
K Filter	Filters noise from the K band to prevent false detections.	On (Default) Off
Ka Filter	Filters noise from the Ka band to prevent false detections.	On Off (Default)
TSF	Traffic Sensor Filter. Prevents false alarms caused by traffic monitoring radar systems.	On Off (Default)
K Narrow/Wide	K Narrow scans for K radar guns used in the US only and reduces false alarms.	K Narrow K Wide (Default)

MENU ITEM	WHAT IT DOES	SETTINGS
Ka Narrow/Wide/ Segmentation	<p>Ka Narrow scans for Ka radar guns used in the US only and reduces false alarms. Ka Narrow also provides a fast response to Ka POP radar guns.</p> <p>Ka Wide scans Super Wide Ka band.</p> <p>Ka Segmentation allows the user to customize a Ka band sweep from 10 filtered settings.</p>	<p>Ka Narrow (Default)</p> <p>Ka Wide Segmentation (Default = On)</p> <p>Ka 1 : 33.399 – 33.705 On/Off</p> <p>Ka 2 : 33.705 – 33.903 On/Off</p> <p>Ka 3 : 33.903 – 34.191 On/Off</p> <p>Ka 4 : 34.191 – 34.587 On/Off</p> <p>Ka 5 : 34.587 – 34.803 On/Off</p> <p>Ka 6 : 34.803 – 35.163 On/Off</p> <p>Ka 7 : 35.163 – 35.379 On/Off</p> <p>Ka 8 : 35.379 – 35.613 On/Off</p> <p>Ka 9 : 35.613 – 35.829 On/Off</p> <p>Ka 10 : 35.829 – 36.001 On/Off</p>
Priority	<p>Sets whether Ka band signals have priority over the strongest radar signals for X, K, or Ka band.</p> <p><i>Laser alerts have priority over radar alerts.</i></p>	<p>Signal Priority</p> <p>Ka Priority (Default)</p>
Threat	<p>Displays if more than one radar signal is detected at the same time. The signal with the strongest radar signal is considered the main signal; the other signals are displayed on the left side (See page 18).</p>	<p>All Threat On</p> <p>All Threat Off (Default)</p>

MENU ITEM	WHAT IT DOES	SETTINGS
Color	Select screen text color.	Red (Default) White Purple Blue Amber Green Pink Grey
Display Mode	Select what will display on the OLED, either scanning for signals (see page 16) or the mode (see page 17).	Scan Mode (Default)
X Band Tone	Set a tone to indicate X Band.	1 ~ 12 tones (Default = 1)
K Band Tone	Set a tone to indicate K Band.	1 ~ 12 tones (Default = 2)
MRCB Tone	Activate MultaRadar CD/CT low powered radar gun detection.	1 ~ 12 tones (Default = 2)
Ka Band Tone	Set a tone to indicate Ka Band.	1 ~ 12 tones (Default = 3)
Bogey Tone	Tone sounds when a different Ka band signal is detected during a Ka band alert.	1 ~ 5 tones (Default = 1)
Laser Tone	Set a tone to indicate Laser.	1 ~ 12 tones (Default = 4)
Auto Mute	Auto Mute reduces the alarm volume after 3 seconds at the current volume level. See page 18 for details.	On (Default) Off
Auto Mute Volume	Sets a volume level for muted alarms. See page 18.	0 ~ 5 (Default = 2)
Dark Mode Brightness	Set alarm brightness when in dark mode.	Bright Dim Dimmer (Default)

MENU ITEM	WHAT IT DOES	SETTINGS
Backlight	Turns the front key backlight on and off. <i>Press and hold MUTE/DIM to select a brightness level.</i>	On (Default) Off
BAT Warning	Sounds a warning tone if the vehicle battery power drops below 11V.	On Off (Default)
Self Test	Runs a self diagnostic test on the unit to check for faults.	On (Default) Off
Factory Reset?	Resets all settings to the factory defaults. <i>There is no confirmation request for reset.</i>	Press MENU to reset to factory defaults.
Version	Displays the latest firmware version.	NA
Exit	Closes the Menu system.	NA

BASIC OPERATIONS

HOW DO I ...?	TRY THIS...
Turn on the R1	Be sure the unit is connected to power and then press POWER . The unit turns on and runs through an initial self-check. It displays the different bands and their settings. <i>The R1 turns on automatically when you start the vehicle.</i>
Adjust the volume	<ul style="list-style-type: none"> • Press VOL + to increase volume. The unit beeps and displays a number increase. • Press VOL – to decrease volume. The unit beeps and displays a number decrease.

HOW DO I ...?	TRY THIS...
Mute alarm volume during the alert	Press MUTE/DIM during an audio alarm to mute it. (This is especially useful in situations where the alert may be prolonged, such as at red lights.) You can also press the MUTE button on the power cord.
Change the screen's brightness	Press and hold MUTE/DIM . The R1 announces the brightness level (Bright, Dim, Dimmer, Dark, or off) as it changes to that level. Press and hold the key again to cycle between the brightness levels.
Turn bands on and off	Press MENU and cycle through the menu options until the band you want to turn off displays. Press MENU again to change that band's status.
Change Highway to City/Advanced and back	Press CITY for at least 1 second to alternate between Highway, City, and Advanced setting.
Update the firmware	Refer to www.support.uniden.com for details.

FEATURE DETAILS

HIGHWAY VS CITY MODE

Uniden's R1 radar detector operates in three different frequency (X, K, and Ka band) sensitivity modes - Highway, City, and Advanced. Highway mode is the most sensitive, with maximum detection ranges while on the highway or open road. City is on the lower end of the detection scale for city driving. City mode reduces sensitivity so that false signals (such as from automatic door openers) are filtered out.

Under factory default conditions (X band = off on all bands, K and Ka bands = on), the band sensitivities are:

- Highway: X band off; K and Ka band full sensitivity.
- City: X band off and K band sensitivity reduced; Ka band full sensitivity.
- Advanced: Adjust the sensitivity level for each band as follows:

Sensitivity Level %	Sensitivity Adjustment (Attenuation)
100	Full sensitivity (Default)
90	- 1dB

Sensitivity Level %	Sensitivity Adjustment (Attenuation)
80	- 2dB
70	- 3dB
60	- 4.5dB
50	- 6dB
40	- 8dB
30	- 10.5dB

Turn X band on in the menus with K and Ka bands still on (default); the band sensitivities are:

- Highway: X, K, and Ka band full sensitivity.
- City: X and K band sensitivity reduced; Ka band full sensitivity.

If a band is turned off through the menus, it is off in all modes.

Press **CITY** on the front of the unit to alternate between Highway, City, and Advanced mode.

POP MODE

In POP mode, the R1 can detect short burst from radars that are too fast for many other detectors to catch. You can turn POP mode on and off for the K and Ka bands.

DARK MODE

Turn on Dark Mode through the menus to keep the screen dark except when a button is pressed or an alarm goes off. The screen is dark except for a small blinking dot that moves from left to right on the display. You can set the screen brightness through the menus for when alarms go off or buttons are pressed.



SCAN DISPLAY

The OLED uses a curved line to indicate scanning is in progress. A heart icon indicates the end of one scan cycle and the beginning of another. Select SCAN display through the *Display Mode* menu.

Displays to indicate
end of a scan cycle.



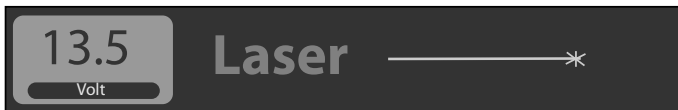
MODE DISPLAY

The OLED displays the voltage on the left side of the display and the mode on the right side. Set the mode through the *Display Mode* menu.



ALARM PRIORITIES

- Laser signal



- X, K, Ka band signal



Signal strength indicator (1 - 5)

- Ka POP alarm



Signal strength indicator (1 - 5)

- MRCD Alarm



Signal strength indicator (1 - 5)

- Vehicle Low Battery Voltage Warning



THREAT

The R1 detects up to 4 radar band signals (threats) at a single time. The strongest radar signal is designated as the Priority threat, and its frequency displays on the OLED. The other three threats (signals) are indicated in the left side of the display. In the following example, 2 K band, 1 X band, and 1 Ka band threats are detected.



The *Priority* menu setting determines which type of frequency displays on the OLED (see page 12). If *Priority* is set to Signal priority, the strongest signal displays on the OLED. If *Priority* is set to Ka Priority, the Ka band radar signal displays on the OLED.

AUTO MUTE

When the R1 detects an X, K, or Ka signal, it sounds an alarm at the current volume level. To make the alarm quieter, turn on Auto Mute. This will reduce the volume to the level set (0 - 5) in the Auto Mute Volume menu (see page 13).

If the current volume level is 0, the R1 will not change the volume to the Auto Mute Volume level; it will keep the volume level at 0.

Auto Mute ends 10 seconds after the alarm ends unless:

- The same signal is detected within that 10 second period; then, Auto Mute stays on.

- A different band signal is detected during that 10 second period; then, Auto Mute turns off and then back on at the current volume level.

Auto Mute does not apply to Laser Alert.

BOGEY TONES

Bogey tones sound if a different Ka band signal is detected during a Ka band alert. Set the tones in the Menus.

MAINTENANCE

MAINTAINING THE EQUIPMENT

The R1 requires very little physical maintenance. Wipe it with a soft cloth to keep dust from accumulating. Check the power cord connections to keep them clean and free of corrosion.

UPDATING THE FIRMWARE

Uniden recommends that you update your R1's firmware periodically. Go to www.support.uniden.com, find your model, and check if you have the latest firmware. Follow the instructions on the website to update your firmware if you need to. Reset to factory defaults through the Menus after the new firmware is installed.

TROUBLESHOOTING

IF...	TRY THIS...
The unit won't turn on	Check the connections. Be sure they are all secure.
No display or audio.	<ul style="list-style-type: none"> • If no display, check the connections. Be sure they are all secure. • If no audio, check if Voice is turned off.
The unit alarms when the vehicle hits bumps.	Check the connections. Be sure they are all secure.
The unit alarms briefly in the same location but no radar source was in view.	There may be a motion sensor or house alarm in use within range.

IF...	TRY THIS...
The R1 did not alert when a police car was in view.	<ul style="list-style-type: none"> • The officer may not have radar/laser units turned on. • Check that the band is turned on. Press MENU and cycle through the options to get to the bands. If the band is turned off, the OLED will show OFF. Turn the band on.
The vehicle starts but the R1 does not turn on.	<ul style="list-style-type: none"> • Verify that the power cord is securely connected to the unit and inserted into the cigarette lighter jack. • Change the fuse in the power cord (spare fuse not included). Unscrew the cigarette lighter jack to access the fuse.

SPECIFICATIONS

Receiver Type:		Antenna Type:	
Radar	Double Conversion Superheterodyne Self-Contained Antenna	Radar	Linear Polarized E-vector Vertical
Laser	Pulsed Laser Signal Receiver	Laser Front	Convex Condenser Lens
Frequency:		Laser Back	Concave Condenser Lens
X	10.525 GHz	Dimensions	110.00 mm (D) x 69.00 mm (W) x 29.50 mm (H)
K	24.150 GHz	Weight	4.8 oz (135 g)
Ka	33.400 - 36.000 GHz	Operating Temp.	-4° to +185° F (Radar/Laser) -20° to +85° C (Radar/Laser)

Laser	800 nm - 1100 nm	Storage Temp.	-22° to +203° F (Radar/Laser) -30° to +95° C (Radar/Laser)
Detector Type:		Operating Power Source	DC 11.0 to 16.0 V
Radar	Scanning Frequency Discriminator	USB Interface	USB Specification 2.0/1.1
Laser	Pulse Width Discriminator		
Alarm Type	Voice and Beep (Detected Band and Signal strength)		

FCC/INDUSTRY CANADA INFORMATION

FCC: AMWUA1702

FCC Compliance

This device complies with Part 15 of the FCC rules. Operation is subjected to the following two conditions: (1) this device may not cause harmful interference, and (2) this device must accept any interference received, including interference that may cause undesired operation.

Changes or modifications not expressly approved by the party responsible for compliance could void your authority to operate the equipment.

Avis de conformité à la FCC : Ce dispositif a été testé et s'avère conforme à l'article 15 des règlements de la Commission fédérale des communications (FCC). Ce dispositif est soumis aux conditions suivantes: 1) Ce dispositif ne doit pas causer d'interférences

nuisibles et; 2) Il doit pouvoir supporter les parasites qu'il reçoit, incluant les parasites pouvant nuire à son fonctionnement.

Tout changement ou modification non approuvé expressément par la partie responsable pourrait annuler le droit à l'utilisateur de faire fonctionner cet équipement.

IC Compliance

This device complies with Industry Canada license-exempt RSS standard(s). Operation is subject to the following two conditions: (1) this device may not cause interference, and (2) this device must accept any interference, including interference that may cause undesired operation of the device.

Changes or modifications not expressly approved by the party responsible for compliance could void your authority to operate the equipment.

Cet appareil est conforme aux normes RSS exemptes de licences d'Industrie Canada. Son fonctionnement est soumis aux deux conditions suivantes : (1) cet appareil ne doit pas causer d'interférences nuisibles et (2), il doit pouvoir accepter les interférences, incluant celles pouvant nuire à son fonctionnement normal.

Tout changement ou modification non approuvé expressément par la partie responsable pourrait annuler le droit à l'utilisateur de faire fonctionner cet équipement.

ONE-YEAR LIMITED WARRANTY

Keep your receipt! Proof of purchase is required for warranty service.

WARRANTOR: UNIDEN AMERICA CORP. ("Uniden")

ELEMENTS OF WARRANTY: Uniden warrants, for one year, to the original retail owner, this Uniden Product to be free from defects in materials and craftsmanship with only the limitations or exclusions set out below.

WARRANTY DURATION: This warranty to the original user shall terminate and be of no further effect 12 months after the date of original retail sale. The warranty is invalid if the Product is (A) damaged or not maintained as reasonable or necessary, (B) modified, altered, or used as part of any conversion kits, subassemblies, or any configurations not sold by Uniden, (C) improperly installed, (D) serviced or repaired by someone other than an authorized Uniden service center for a defect or malfunction covered by this warranty, (E) used in any conjunction with equipment or parts or as part of any system not manufactured by Uniden, or (F) installed or programmed by anyone other than as detailed by the Operating Guide for this product.

STATEMENT OF REMEDY: In the event that the product does not conform to this warranty at any time while this warranty is in effect, warrantor will repair the defect and return it to you without charge for parts, service, or any other cost (except shipping and handling) incurred by warrantor or its representatives in connection with the performance of this warranty. **THE LIMITED WARRANTY SET FORTH ABOVE IS THE SOLE AND ENTIRE WARRANTY PERTAINING TO THE PRODUCT AND IS IN LIEU OF AND EXCLUDES ALL OTHER WARRANTIES OF ANY NATURE WHATSOEVER, WHETHER EXPRESS, IMPLIED OR ARISING BY OPERATION OF LAW, INCLUDING, BUT NOT LIMITED TO ANY IMPLIED WARRANTIES OF MERCHANTABILITY OR FITNESS FOR A PARTICULAR PURPOSE. THIS WARRANTY DOES NOT COVER OR PROVIDE FOR THE REIMBURSEMENT OR PAYMENT OF INCIDENTAL OR CONSEQUENTIAL DAMAGES.** Some states do not allow this exclusion or limitation of incidental or consequential damages so the above limitation or exclusion may not apply to you.

LEGAL REMEDIES: This warranty gives you specific legal rights, and you may also have other rights which vary from state to state. This warranty is void outside the United States of America.

PROCEDURE FOR OBTAINING PERFORMANCE OF WARRANTY: If, after following the instructions in this Operating Guide, you are certain that the Product is defective, pack the Product carefully (preferably in its original packaging). Include evidence of original purchase and a note describing the defect that has caused you to return it. The Product should be shipped freight prepaid, by traceable means, or delivered, to warrantor at:

Uniden America Corporation
C/O Saddle Creek
743 Henrietta Creek Rd., Suite 100
Roanoke, TX 76262

POP Mode is a trademark of MPH Industries, Inc.

Spectre I and Spectre IV are trademarks of Stealth Micro Systems Pty. Ltd.

VG2 is a trademark of TechniSonic Industries LTD.

