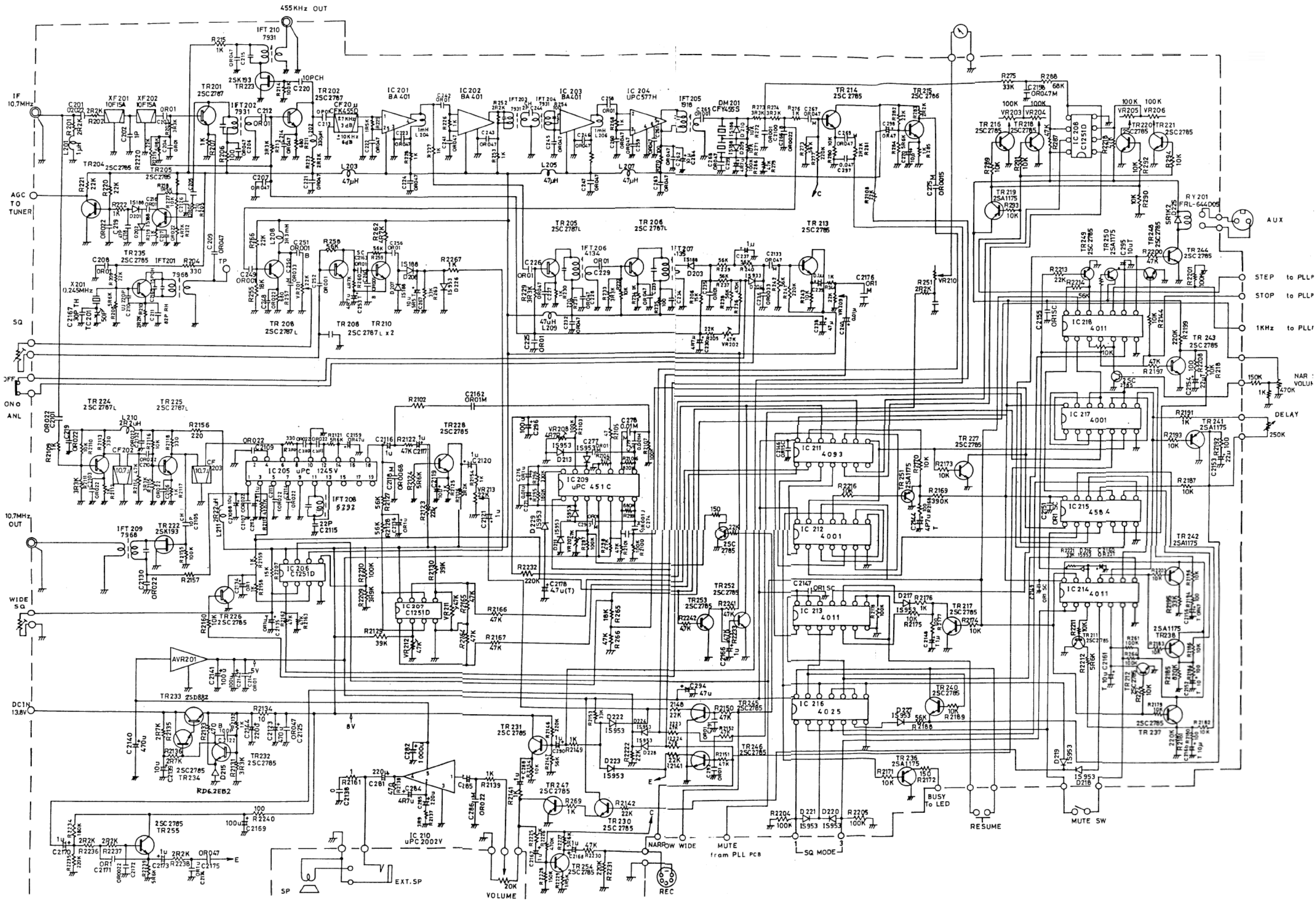
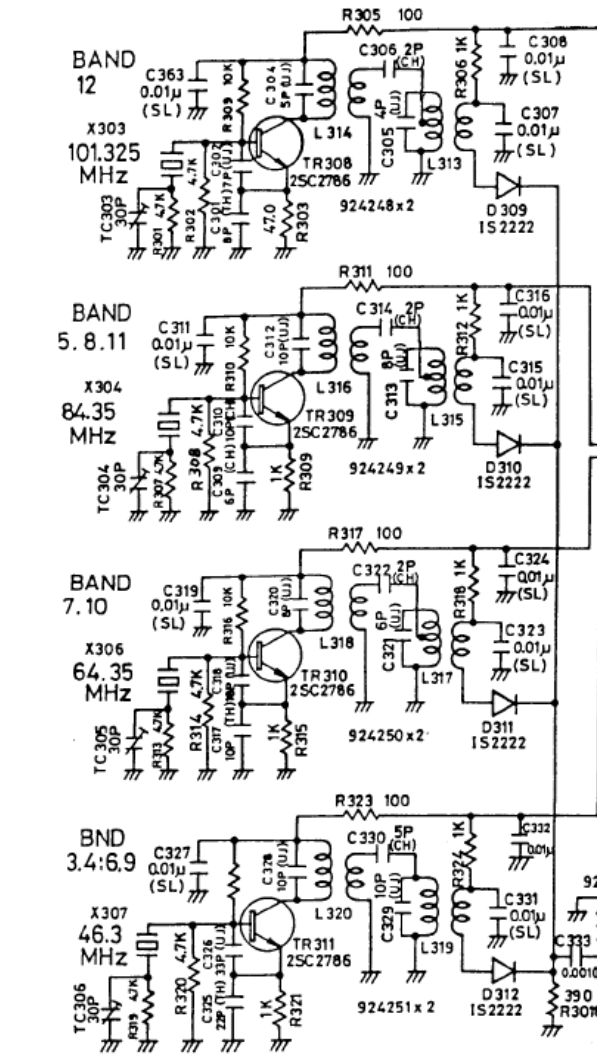


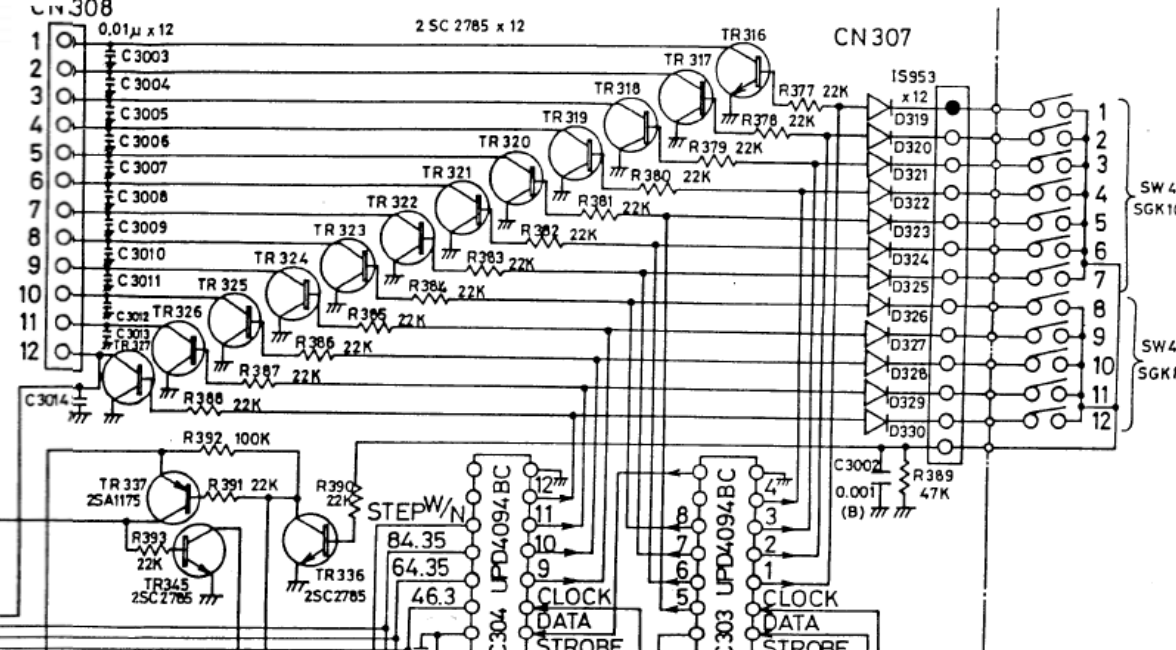
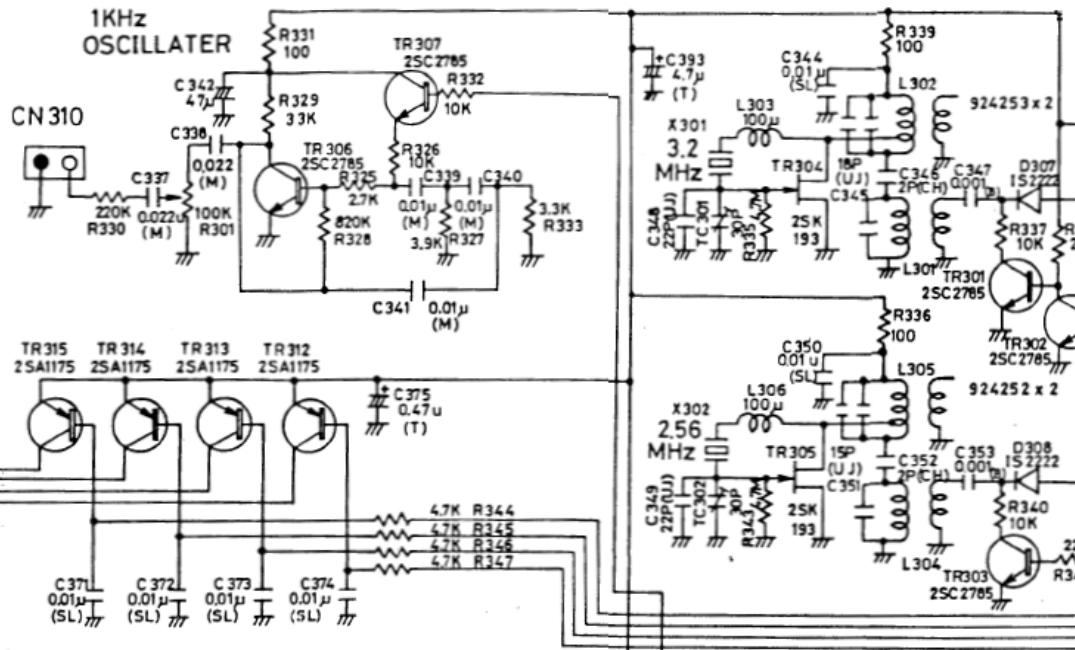
IF Processing



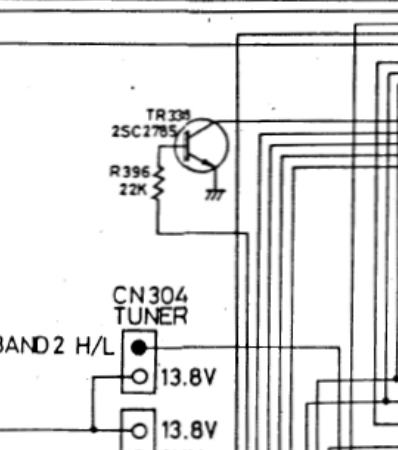
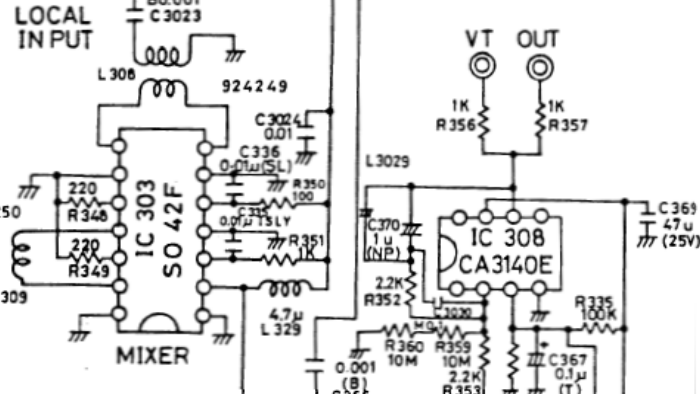
PLL-LOCAL OSCILLATORS



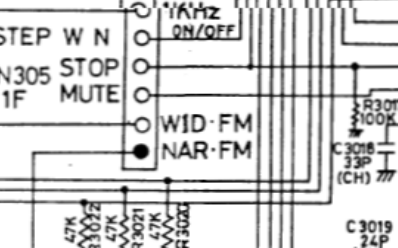
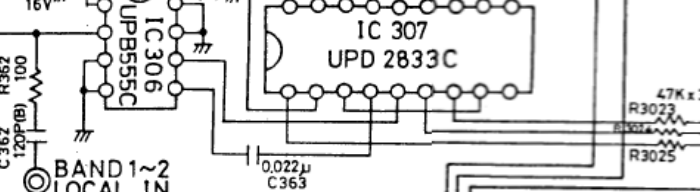
1KHz OSCILLATOR



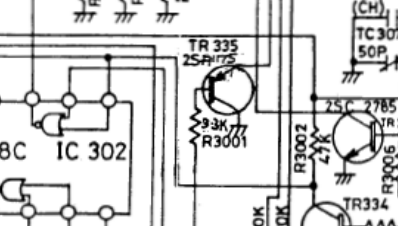
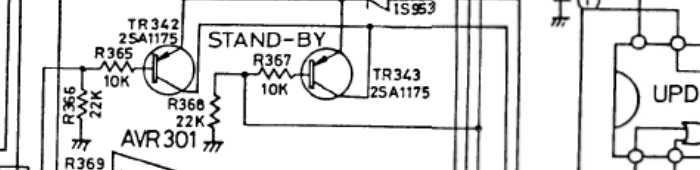
BAND 3-12 LOCAL INPUT



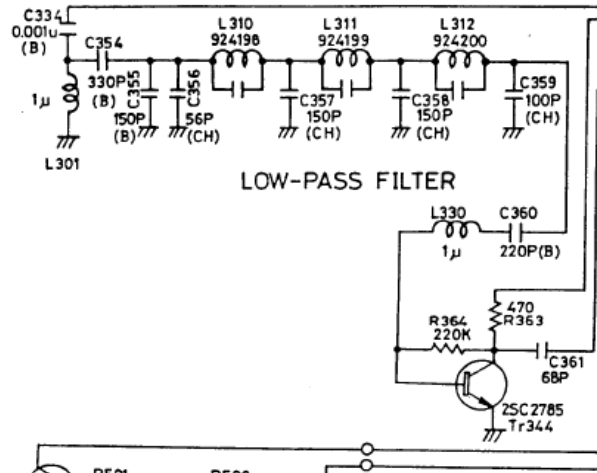
MIXER



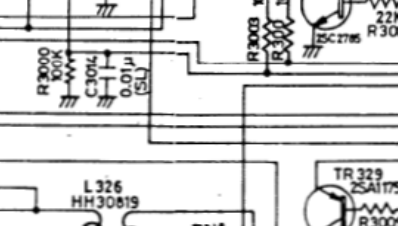
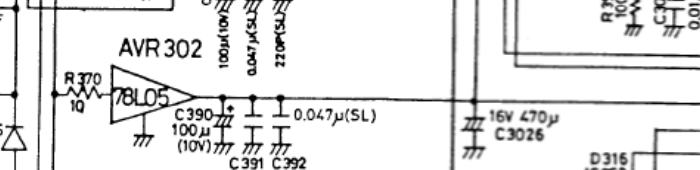
BAND 1-2 LOCAL IN



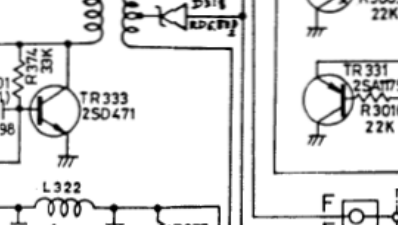
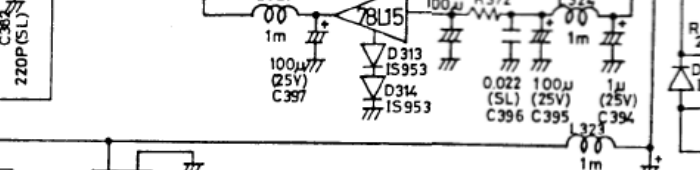
LOW-PASS FILTER



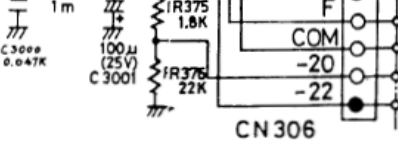
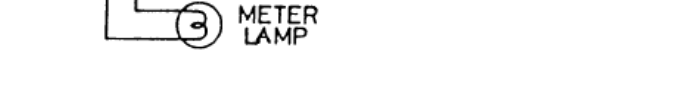
STAND-BY



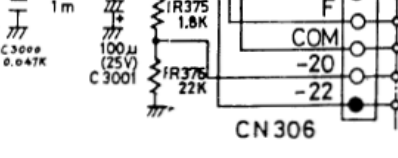
AVR 301



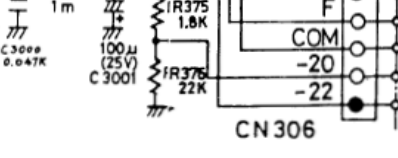
AVR 302



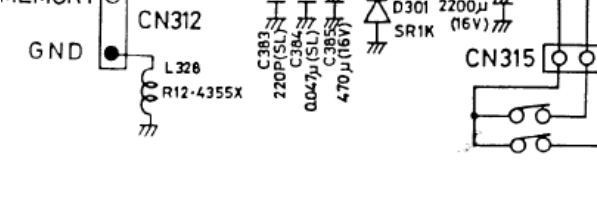
AVR 303



AVR 304



POWER MEMORY



METER LAMP

