

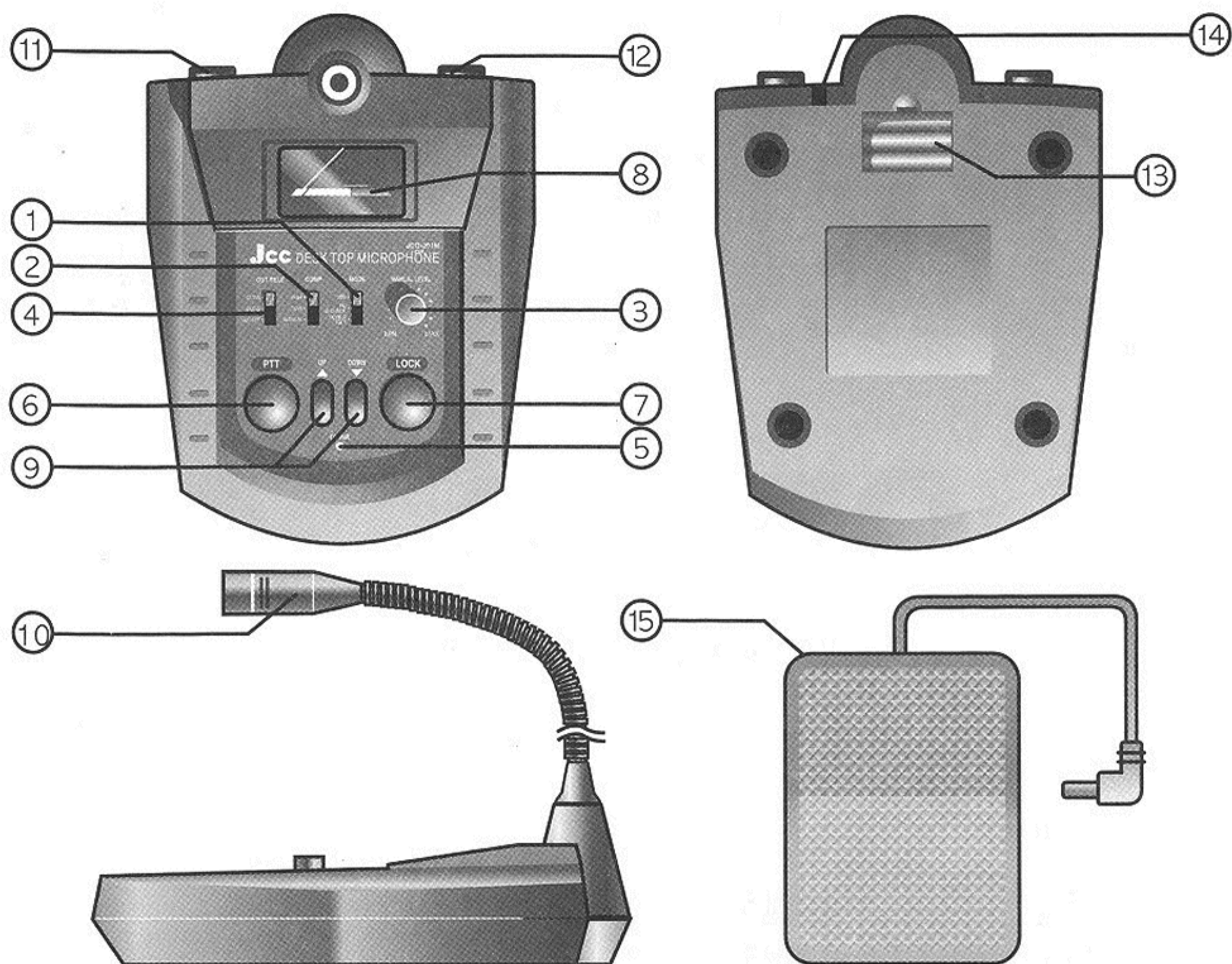
GENERAL USER'S MANUAL

JCD-201M

DESKTOP TYPE MICROPHONE



For CB Radio or Ham Amateur Radio
High Sensitivity Electret Condensor Microphone



JCD-201M Instruction Manual

① Power and Mode Selector Switch (MODE SWITCH)

(Power Off-Battery Check FM-SSB)

Set the Power Switch① to "FM" or "SSB" position for the power "ON", and, the Level Meter⑧ indicates the Battery condition. two seconds later the meter will return to its original function of audio level meter. It gives optimum audio quality for both FM and SSB modes by changing the frequency characteristics, in particular, it is effective in DX operation. (Battery Check Instructions) Turn the power switch① to the position "FM/Battery Check" then the meter will display battery level on the green battery scale for two seconds. If the pointer stops at the outside of green-zone, replace the 3-AAA batteries.

Compressor Level Switch (COMP SWITCH)②

(MAUAL./LO./HIGH.)

- HIGH (45dB) : Select this position when you speak in a low voice or away from the microphone in a quiet place.(The microphone will pick up the noise around the microphone.)

- LOW (35dB) : This is optimum position for normal QSO. You can enjoy QSO with enough voice level at 10cm away form microphone.

· MANUAL (NORMAL) : Select this position when you operate at noisy area or when you do not want to use compressor function. The Compressor Level Volume③ will be activated.

③ Manual Level Volume

It will be activated when the Compressor Level Selector Switch② is at "Manual" position. Adjust it to get an optimum level. (The pointer of level meter should not deflect over "0dB")

④ Output Selector Switch

A changeover switch to select "OUT-A" ⑪ or "OUT-B" ⑫

⑤ "ON AIR" Indicator Light (On Air)

Turn the power switch① "ON" and LED Indicator⑤ will blink on and off to indicate the receiving condition. The LED⑤ will light up continuously when transmitting.

⑥ PTT Button(PTT)

Use it for short time QSO. While Pressing it, the TX LED indicator lights up and the condition is transmitting. (When press it, it sounds 'pip' When releasing the LOCK condition, also press this switch.)

⑦ Lock Button(Lock)

Use it for long time QSO. Press it and it sounds 'peep'. The LED TX indicator⑤ will light up continuously. The condition is transmitting until pressing the PTT switch⑥

⑧ Level Meter / Battery Checker (VU)

You can watch the level of microphone amplifier with this meter. When you use this microphone in the "MANUAL" position of the Compressor Level Selector Switch, you will have to adjust the indicator of the meter to keep under "0dB". Refer to Manual Level Volume③ And it works as battery checker for a few seconds just after switching the power "ON"

⑨ Up/Down Buttons

The same function as the Up/Down switch of the attached transceiver. For details, please read the instruction book of the transceiver.

⑩ Microphone

This model is provided with Electret Condenser type microphone for easy understanding sound quality.

Microphone Output Connectors(OUT-A / OUT-B)

"OUT-A" ⑪ (8 Pin Matching Connector arrangement)

“OUT-B”⑫ (8Pin Matching Connector arrangement)

Note: The Microphone Interconnecting Cables optionally available are provided with directional condition for connecting. Please connect the cable with microphone correctly. Terminals of Microphone Output Connector ⑪ and Matching Connector ⑫ and standard terminal layout. When the transceiver connected to this model is supplying the microphone terminal with DC5V-9V, 20mA minimum current, this model can get the DC power supply directly from transceiver by connecting with “D” series microphone interconnecting cables.

⑬ Battery Compartment Cover

When operating with battery, remove slide release battery cover⑬ and insert the batteries (3 AAA) correctly. The batteries are not included with this microphone.

⑭ Jack for Foot Control PTT Switch (OUT-PTT)

Connector Jack for Optional Foot Control PTT Switch.

⑮ Optional Foot Control PTT

Non-Modulation Prevention Circuit

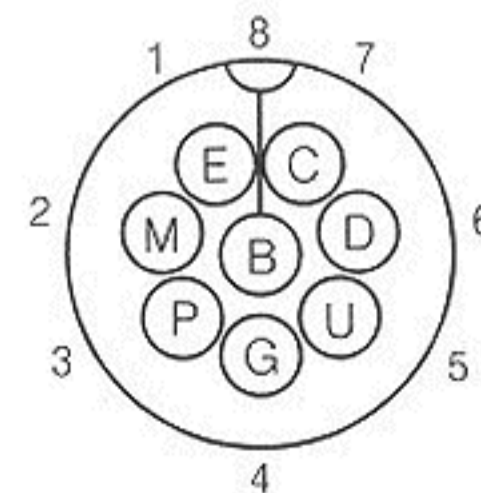
When the transmitting condition continues for 2-3 minutes, the alarm circuits will be activated with sounding the alarm for 30 seconds. Then the condition will return to the receiving condition automatically.

Timer Reset Function

When using the microphone with “LOCK”(continuous transmitting), press the “LOCK” switch again and the timer for alarm will be reset and the timer again starts for counting. When sounding the alarm, the alarm will stop by pressing “LOCK” switch.

standard terminal layout (8p) (fig2)

1 E : MIC Earth	6 D : Down
2 M : MIC	7 C : Up / Down Common
3 P : Press to talk	8 B : DC power Feeding (+) pole
4 G : Earth to PTT	
5 U : Up	



view from terminal