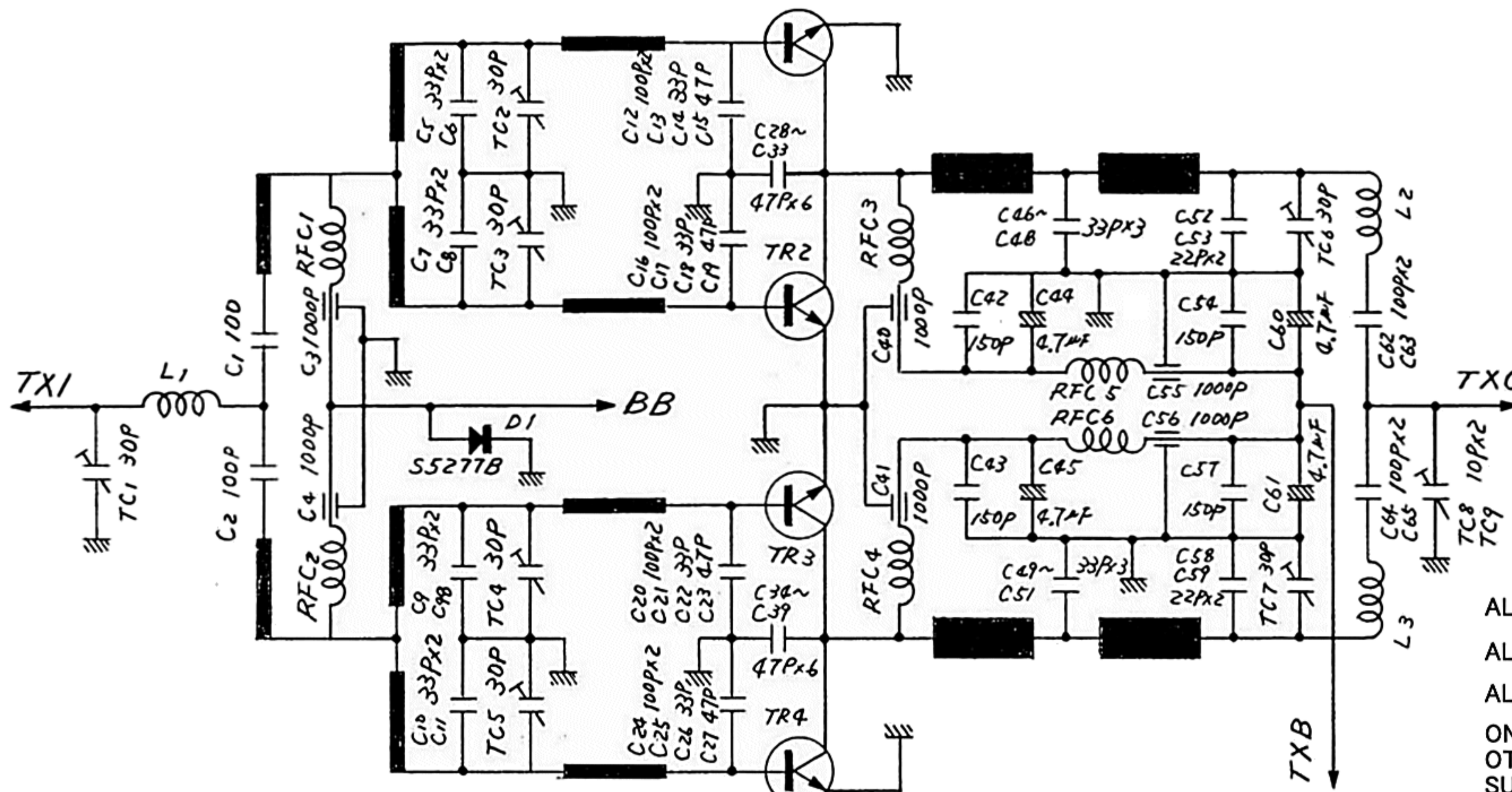
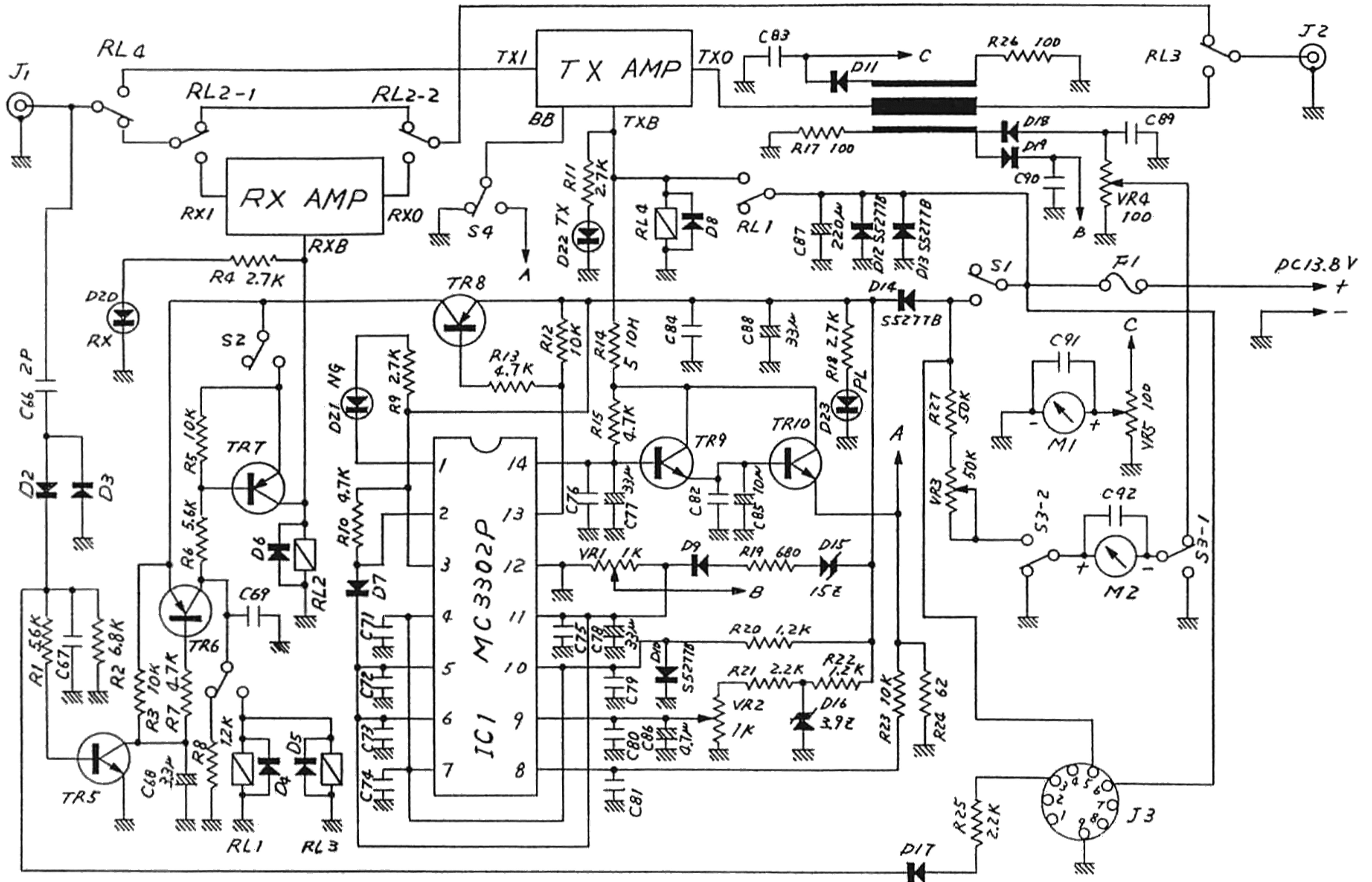
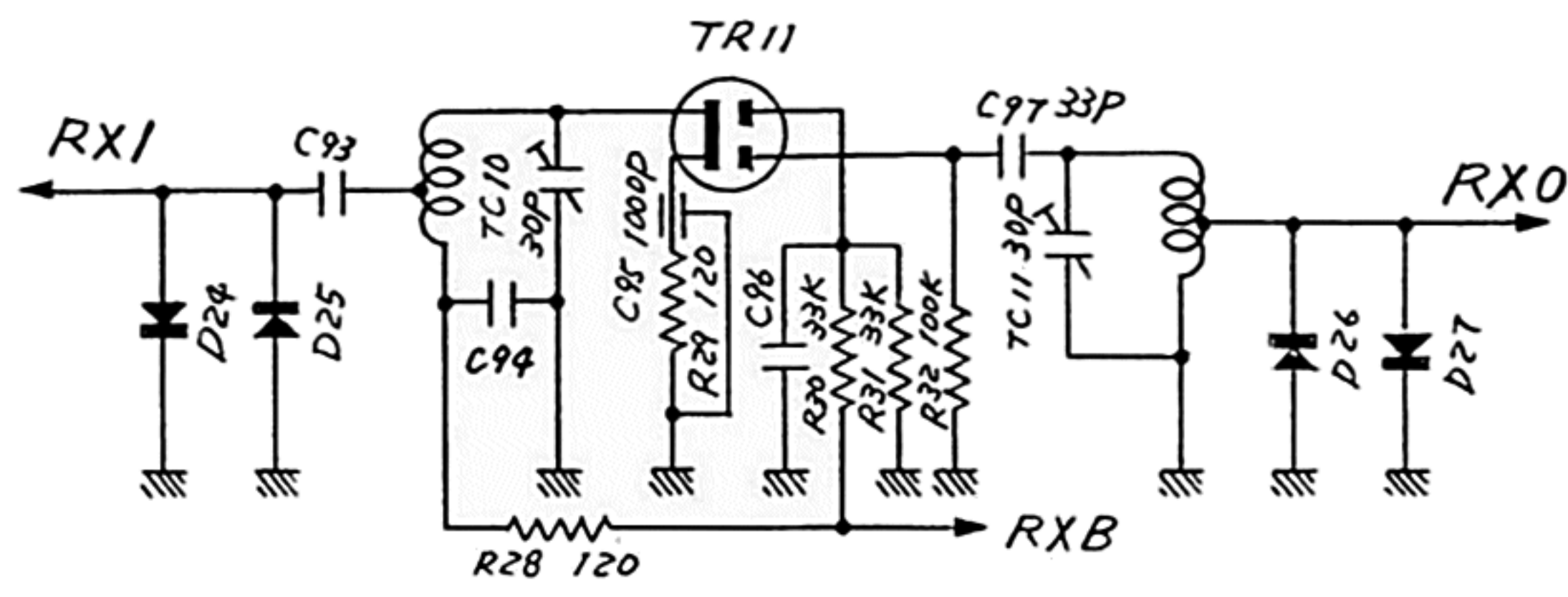


MR-250W



TX AMP 部分



RX AMP 部分

- | | |
|------|----------|
| TR1 | 2SC2630E |
| TR2 | " |
| TR3 | " |
| TR4 | " |
| TR5 | 2SC1815 |
| TR6 | 2SA562 |
| TR7 | " |
| TR8 | " |
| TR9 | 2SC1815 |
| TR10 | 2SD235 |
| TR11 | 3SK59 |

ALL DIODES ARE IN 1S1588 UNLESS OTHERWISE NOTED
 ALL RESISTORS ARE IN 1/4 W UNLESS OTHERWISE NOTED
 ALL CAPACITORS ARE IN 100 PF UNLESS OTHERWISE NOTED
 ON ACCOUNT OF THE TECHNICAL DEVELOPMENT AND FOR
 OTHER REASONS, ALL OF THE PARTS AND THE CIRCUIT ARE
 SUBJECT TO CHANGE WITHOUT NOTICE.