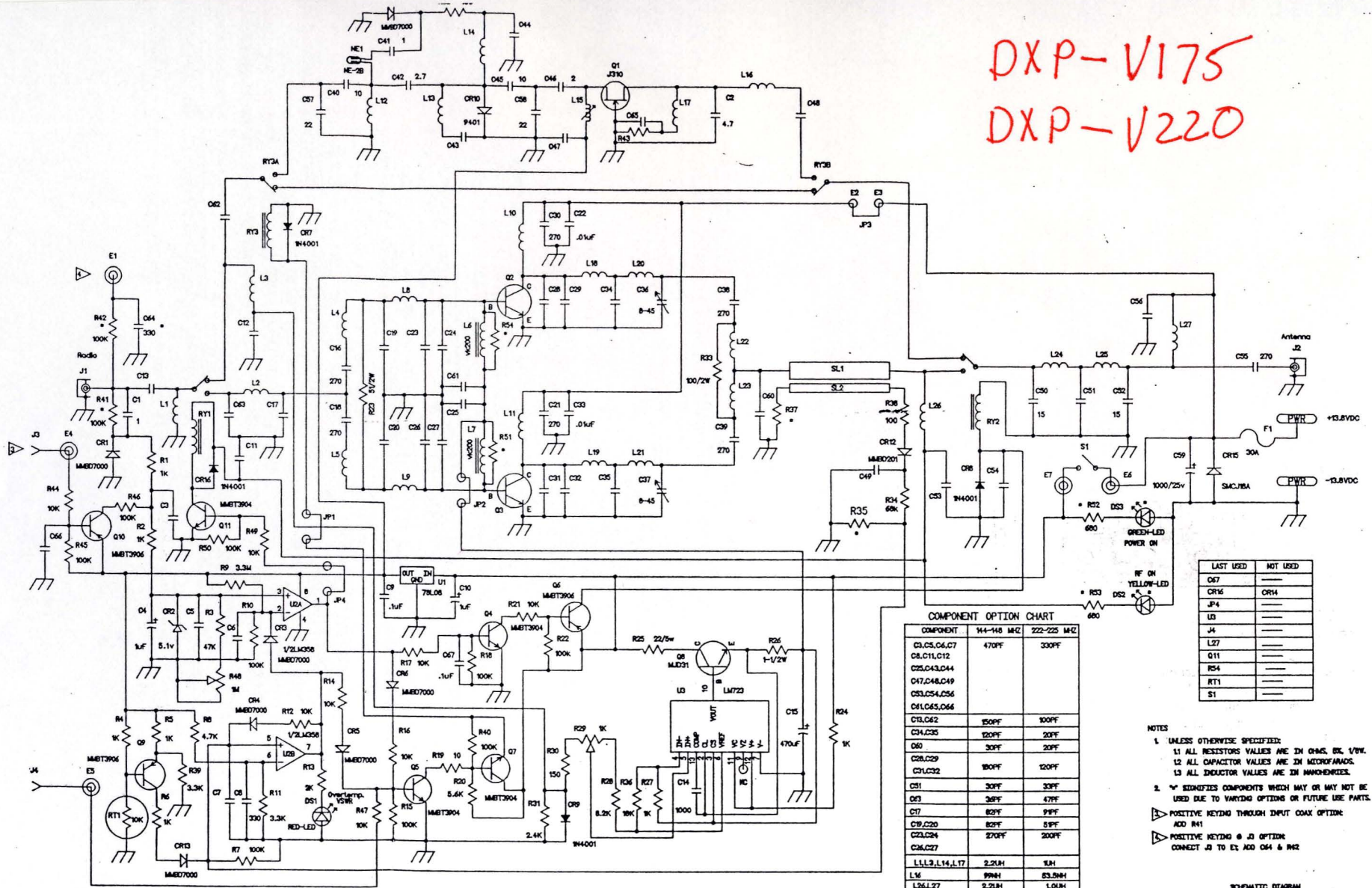


DXP-V175
DXP-V220



COMPONENT OPTION CHART

COMPONENT	144-148 MHz	222-225 MHz
C3,C5,C6,C7	470PF	330PF
C8,C11,C12	—	—
C25,C43,C44	—	—
C47,C48,C49	—	—
C53,C54,C56	—	—
C41,C45,C66	—	—
C13,C62	150PF	100PF
C14,C35	100PF	20PF
C60	30PF	20PF
C28,C29	100PF	120PF
C7,C32	—	—
C51	30PF	33PF
C63	20PF	47PF
C17	82PF	91PF
C9,C20	82PF	5PF
C23,C24	270PF	200PF
C26,C27	—	—
L1,L3,L14,L17	2.5UH	1.8H
L4	999H	83.59H
L26,L27	2.5UH	1.0UH
R43	56 OHM	01 OHM
R51,R54	10 OHM/1W	NOT USED

LAST USED	NOT USED
C67	—
CR16	CR14
JP4	—
L3	—
J4	—
L27	—
Q11	—
R54	—
RT1	—
S1	—

- NOTES
- UNLESS OTHERWISE SPECIFIED:
 11 ALL RESISTORS VALUES ARE IN OHMS, BK, 1/4W.
 12 ALL CAPACITOR VALUES ARE IN MICROFARADS.
 13 ALL INDUCTOR VALUES ARE IN MILLISECOND.
 - * V SIGNIFIES COMPONENTS WHICH MAY OR MAY NOT BE USED DUE TO VARYING OPTIONS OR FUTURE USE PARTS.
- ▲ POSITIVE KEYING THROUGH INPUT COAX OPTION
ADD R41
- ▲ POSITIVE KEYING @ J1 OPTION
CONNECT J1 TO E1; ADD C64 & R42