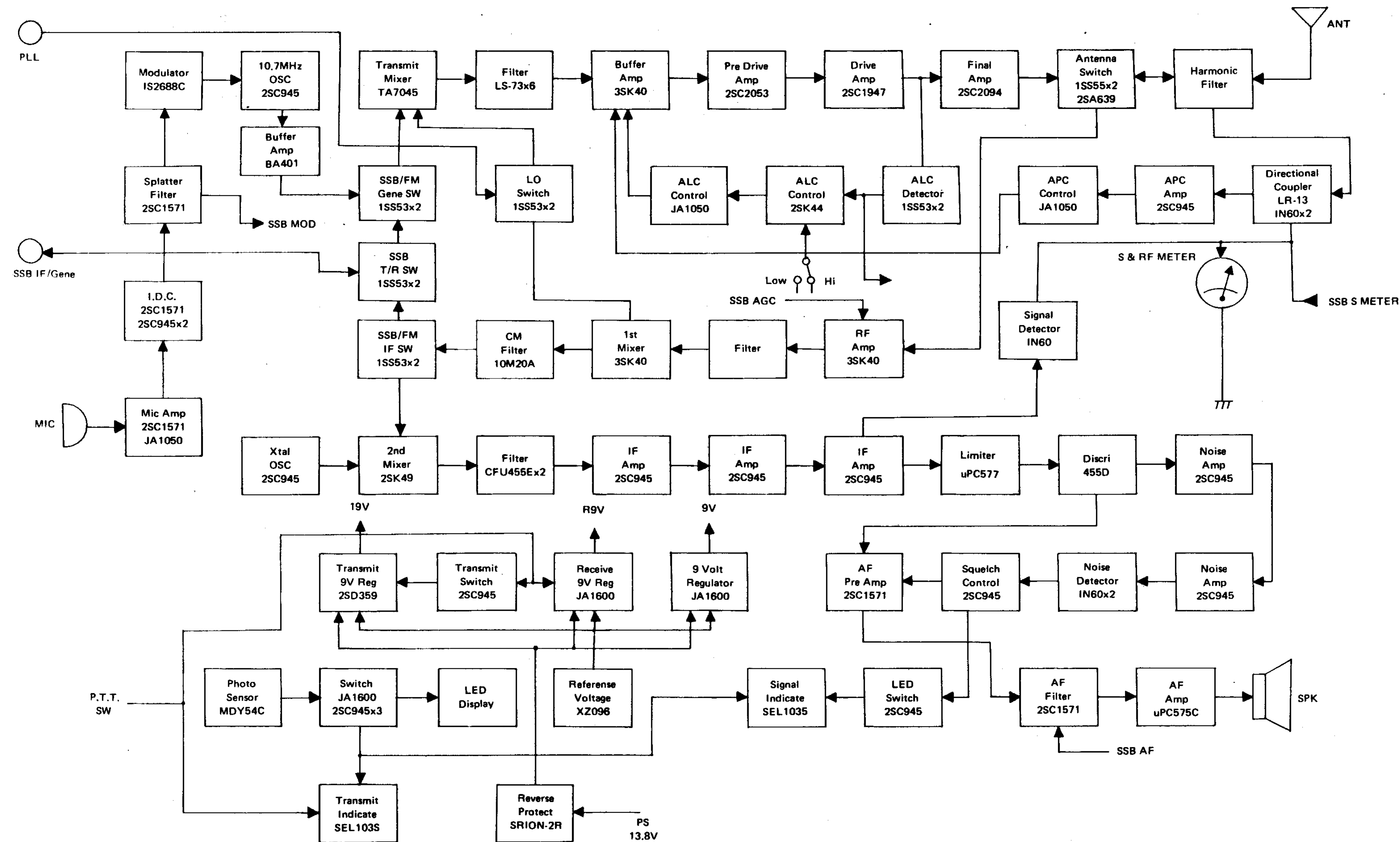
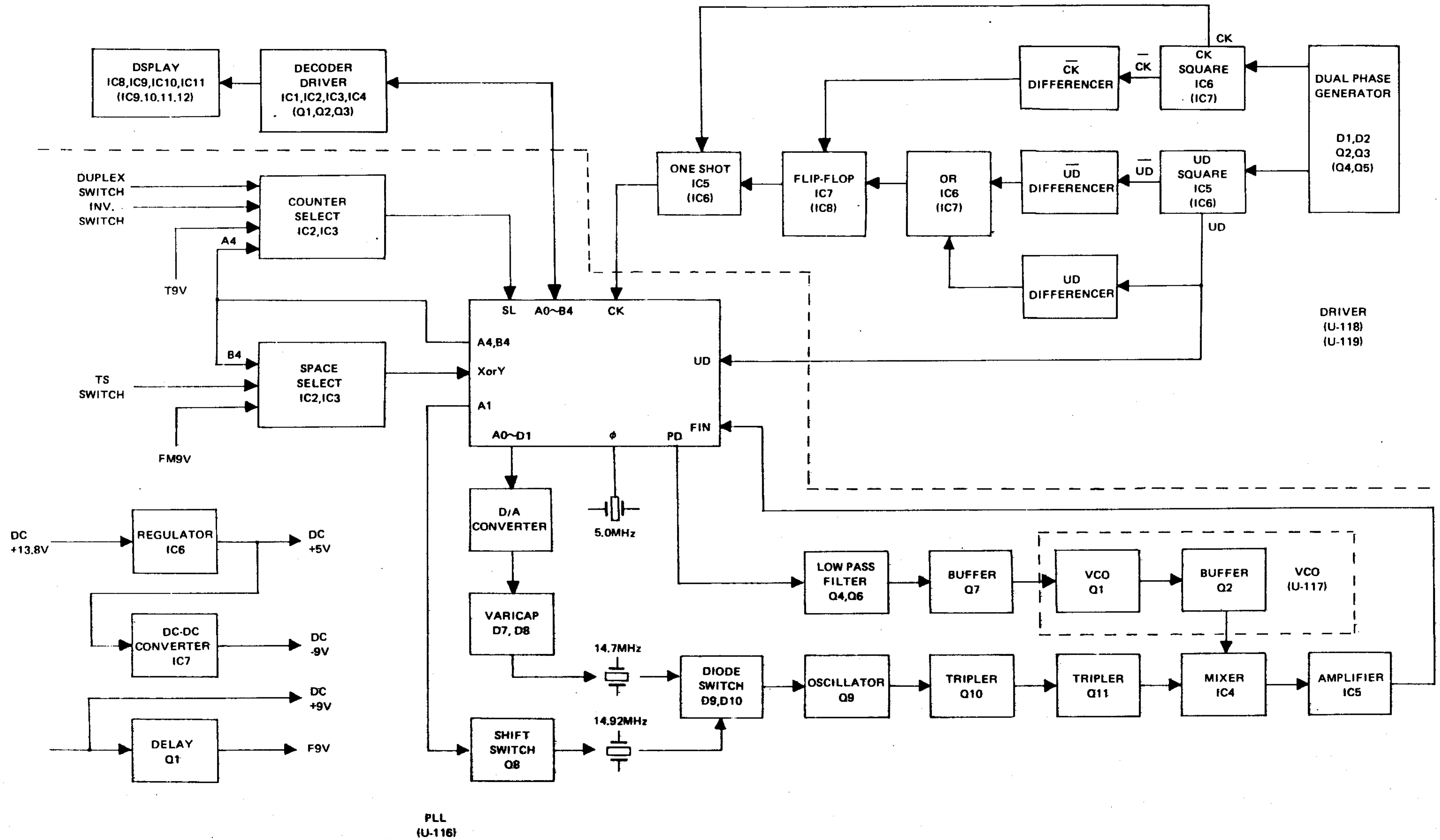


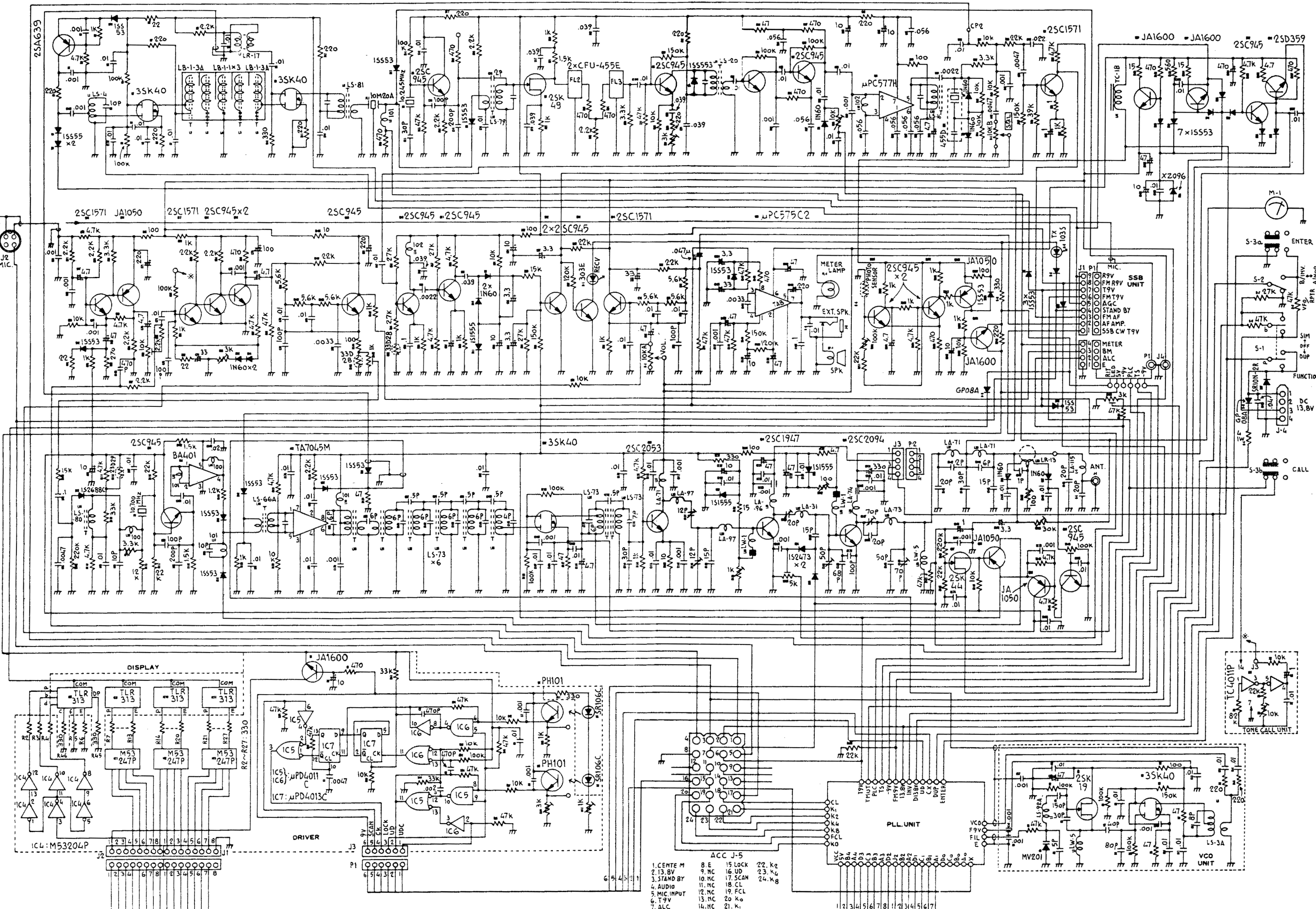
SCHEMA A BLOCCHI

Block diagram



SCHEMA A BLOCCHI - CIRCUITI LOGICI

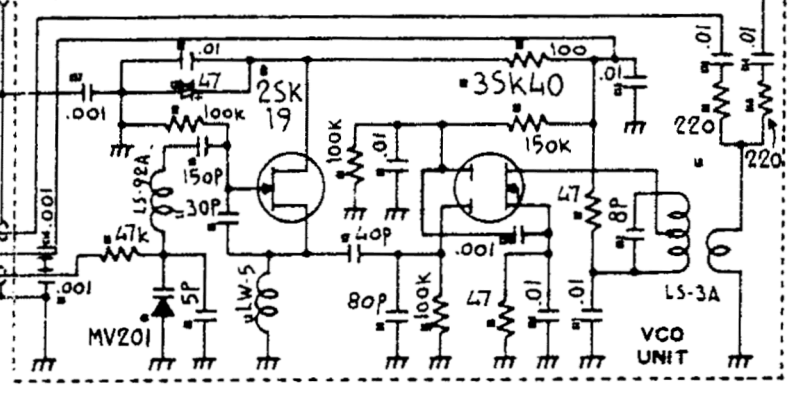
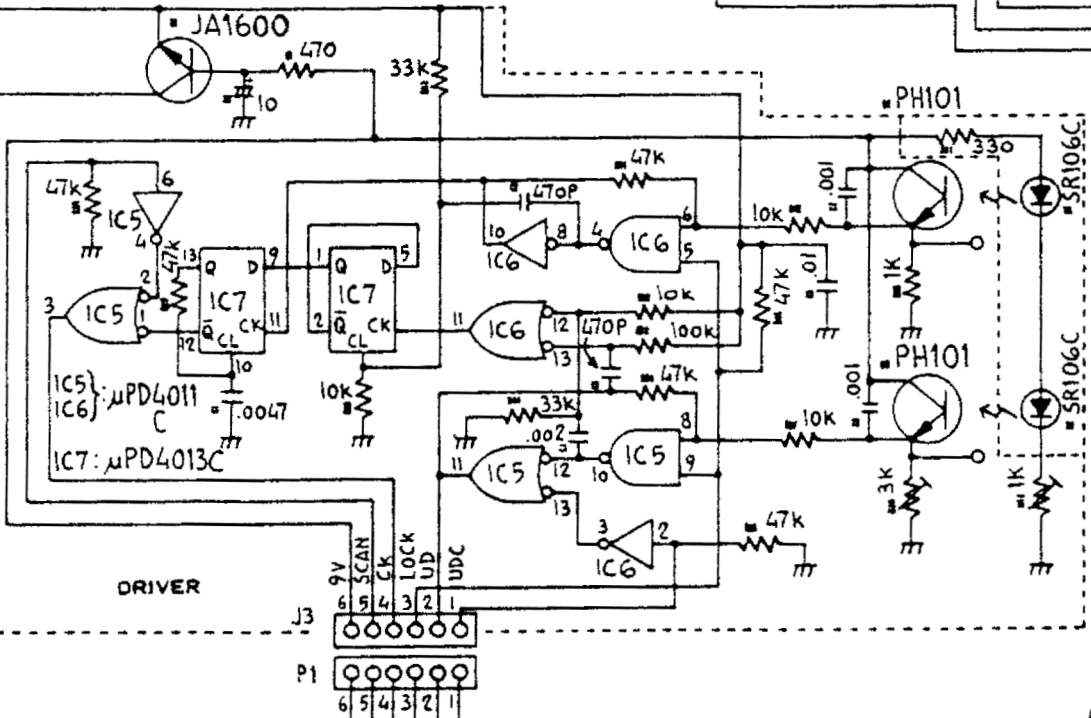
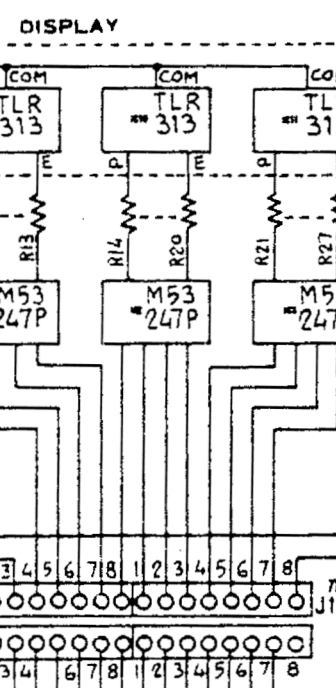
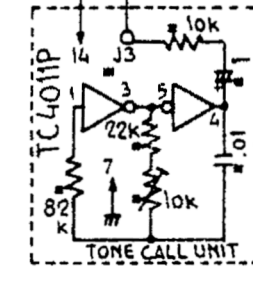




ACC J-5

1. CENTE M	8. E	15. LOCK	22. K2
2. 13.8V	9. NC	16. UD	23. K4
3. STAND BY	10. NC	17. SCAN	24. K8
4. AUDIO	11. NC	18. CL	
5. MIC. INPUT	12. NC	19. FCL	
6. T-9V	13. NC	20. K0	
7. ALC	14. NC	21. K1	

PLL UNIT





IC-245E

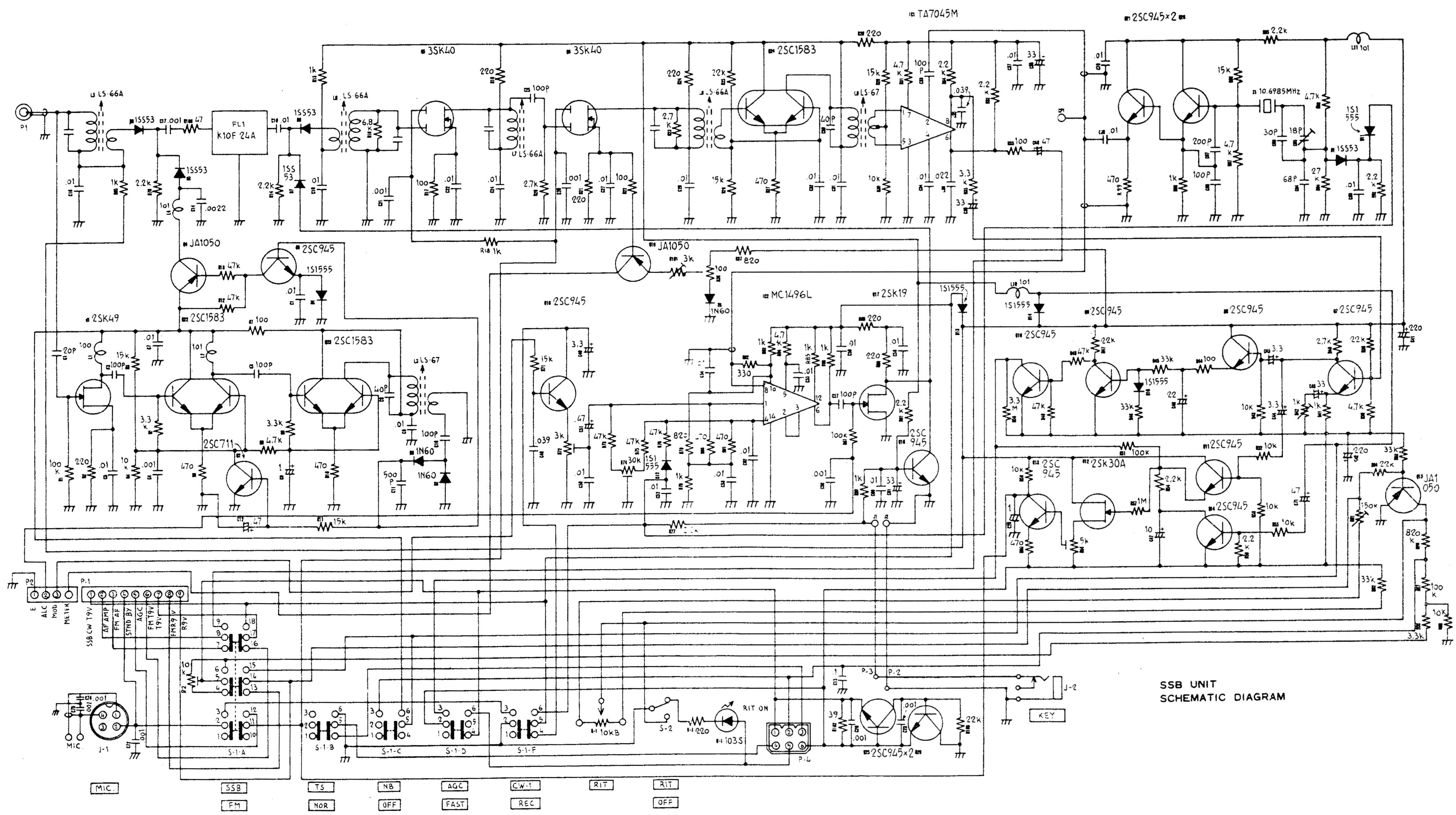
Transmit		Pin No.														Notes
Unit	No.	1	2	3	4	5	6	7	8	9	10	11	12	13	14	
U-116	IC-1	(see below)														1=B 2=C 3=E
PLL	IC-2	0	0	5	0	0	5	0	0	5	5	5	0~5	0	5	
	IC-3	5~0	0	0	0	5	5	0	5	0	5	0~5	5	5	5	
	IC-4	5	2.6	E	1.9	5	6.7	7.5	7.5							
	IC-5	5.1	1.9	1.9	E	5.4	3	6								
	IC-6	10.6	E	5.0												

Receive		Pin No.														Notes
Unit	No.	1	2	3	4	5	6	7	8	9	10	11	12	13	14	
U-116	IC-7	5	-9.3													
PLL	IC-8	13.8	0	8.4												
U-116 PLL	IC-1	1	2	3	4	5	6	7	8	9	10	11	12	13	14	
		5	1.5	0.8	1.4	5	0	0	0	0	0	0	0	0	0	
		15	16	17	18	19	20	21	22	23	24	25	26	27	28	
		0	0	0	0	0~5	0	0~5	0~5	0~5	0~5	0~5	0~5	0~5	0~5	
		29	30	31	32	33	34	35	36	37	38	39	40			
		0~5	0~5	0~5	0~5	0~5	0	5	0	0	0	0	2.8			

Notes:
1=Output
2=Input
1=B
2=C
3=E

21~28
D.LSW.ON-5V
T.S.W.ON-0

29~33
D.L.SW.ON-5V



SSB UNIT SCHEMATIC DIAGRAM

PLL UNIT U-116

