

SERVICE MANUAL
FOR
handic 0050

Micro computerized AM/FM Scanner

handic ab

Telephone: 031-450180 Telex: 2558
Box 156, S-42122 V. Frölunda, Sweden

CONTENTS

SPECIFICATIONS	3
PRINCIPLES OF OPERATION	4
DISASSEMBLY DIAGRAM	5
BLOCK DIAGRAM.....	6
GENERAL OPERATION FLOW CHART.....	7
ALIGNMENT/ADJUSTMENT	8 ~ 15
MEMORY CHECK	16
RECEPTION CHECK	17
CLOCK FUNCTION CHECK	18
WIRING DIAGRAM.....	19
LINEAR P.C. BOARD (TOP VIEW).....	20
LINEAR P.C. BOARD (BOTTOM VIEW).....	21
LOGIC P.C. BOARD (TOP VIEW)	22
LOGIC P.C. BOARD (BOTTOM VIEW)	23
TROUBLESHOOTING.....	24,25
IC LEAD, DIODE AND SEMICONDUCTOR LEAD IDENTIFICATIONS.....	26 ~ 33
MICRO-COMPUTER (IC-1) PORT FORMAT.....	34
PARTS LIST.....	35 ~ 41
EXPLODED VIEW	42
SCHEMATIC DIAGRAM (LINEAR SECTION)	44, 45
SCHEMATIC DIAGRAM (LOGIC SECTION)	46, 47

SPECIFICATIONS

Description		Nominal spec.	Limit spec.
Frequency Coverage VHF MID AIRCRAFT VHF HIGH UHF			68 ~ 88 MHz 5 kHz steps 108 ~ 136 MHz 25 kHz steps 138 ~ 174 MHz 5 kHz steps 380 ~ 470 MHz 12.5 kHz steps
Sensitivity			
VHF MID	FM	0.5 μ V	2 μ V
AIRCRAFT	AM	1 μ V	3 μ V
VHF HIGH	FM	0.5 μ V	2 μ V
UHF	FM	1 μ V	4 μ V
		MOD.: 60% at 1 kHz (S + N)/N = 20 dB	
Selectivity			
	- 6 dB	\pm 9 kHz	\pm 12 kHz
	-50 dB	\pm 15 kHz	\pm 18 kHz
Spurious Rejection			
at 78 MHz		50 dB	40 dB
at 122 MHz		50 dB	40 dB
at 160 MHz		50 dB	40 dB
UHF			Not specified
(except primary image)			
IF Rejection 10.7 MHz		80 dB	40 dB
Modulation Acceptance (EIA RS-204-A)		\pm 7 kHz	\pm 5 kHz
Signal to Noise Ratio			
(AM: MOD. 60% at 1 kHz)			
(FM: DEV. 5 kHz at 1 kHz)			
VHF MID		45 dB	30 dB
AIRCRAFT		40 dB	25 dB
VHF HIGH		40 dB	25 dB
UHF		35 dB	25 dB
Residual Noise (Vol. Min)		3 mV	5 mV
Scanning Speed			
	Fast	6 channels/sec.	4 ~ 8 channels/sec.
	Slow	3 channels/sec.	2 ~ 4 channels/sec.
Search Rate			
	Fast	8 steps/sec.	6 ~ 10 steps/sec.
	Slow	3 steps/sec.	2 ~ 5 steps/sec.
Priority Sampling			
		3 sec.	2 ~ 4 sec.
		100 m sec.	80 ~ 120 m sec.
Scan Delay Time		3 sec.	2 ~ 4 sec.
Audio Output Power (T.H.D. 10 %)		1.5 W	1 W
Clock Accuracy			Not Specified
Channels of Operation		Any 50 channels in any band combination (10 channels x 5 Banks)	
Channel, Frequency and Mode Display		Fluorescent multi display 13 letters	
Receiving System		Direct Key entry Digital-Controlled Synthesizer, Superheterodyne	
Power Requirements		1st IF: 10.7 MHz 2nd IF: 455 kHz	
		AC-220 ~ 240 Volts 50 Hz 19 W	
		DC-13.8 V 10 W	
Accessory		Telescopic antenna and Car Mounting bracket with Screws.	

NOTE: *Nominal Specs represent the design specs: all units should be able to approximate these — some will exceed and some may drop slightly below these specs. Limit Specs represent the absolute worst condition which still might be considered acceptable: in no case should a unit perform to less than within any Limit Spec.*

PRINCIPLES OF OPERATION

The handic 0050 is a PLL (Phase Locked Loop) Synthesized VHF/UHF AM – FM Receiver, controlled by a CPU (Central Processing Unit) via the Keyboard.

The VHF Mid Band (68 ~ 88 MHz) and High Band (138 ~ 174 MHz) are received in 5 kHz increments. Aircraft Band (108 ~ 136 MHz) is step up for 25 kHz increments, and the UHF Band (380 ~ 470 MHz) for 12.5 kHz increments.

Receiving frequency range, frequency determination, scanning speed, delay time, etc., are all functions controlled by the CPU. The CPU is able to do only the assigned functions, and no modification of the CPU is feasible.

The following paragraphs explain the operation of the circuit in terms of the functional blocks:

A varactor (variable capacitance diode) tuning ("Automatic Tuning System") is employed on all Bands.

Field-effect transistors (FET) are used in the RF/MIX circuits of Mid, High and Aircraft Bands, to achieve optimum mix-modulation and mutual-modulation characteristics. Q118 amplifies 10.7 MHz IF. A 10.7 MHz monolithic Crystal Filter is incorporated for better selectivity.

IC-101 contains Local Oscillator, Mixer, IF Amplifier, Quadrature FM Detector, Noise Amplifier and Detector. A Crystal Oscillator produces 10.245 MHz, which mixed with 10.7 MHz, resulting in 455 kHz IF. A 455 kHz Ceramic filter is provided to increase selectivity. The 455 kHz IF is amplified in the IF Amp stage, and a Quadrature FM Detector detects it to an audio signal. A portion of the 455 kHz Ceramic Filter output is picked up, amplified and detected by the AM IF Amp, which consists of Q120, 121 and D119, and then applied to the next stage via the ANL circuit.

Detected output of AM and FM is applied to IC-2. The IC-2 selects the AM or FM output, and also does Mute switching. The AM Pre-Amp consists of Q129 and Q130. IC-105 is an AF Power-Amp. Q127, 128 produce an approximately 2.5 kHz key peep tone with each valid key input.

Zeromatic circuit consists of IC-104 and Q126 and functions in search mode.

Noise Amp/Detector consists of Q119, IC-101 and D118, which converts the noise to proportional DC level to control audio mute and CPU via IC-103, D122, 123 circuit.

IC-1 is the CPU. The CPU does data processing, calculation, etc. Unstable supply voltage (V_{DD}) to the CPU can produce CPU malfunctions, such as wrong data processing, wrong data transfer, etc. To overcome this, C23 and D35 'initialize' the CPU. Initialization is done when AC or DC power is supplied to AC plug or DC connector. Figure 1 shows initializing waveform.

Figure 2 shows the Clock waveform. Data outputs from CPU are level shifted in IC-2 and applied to PLL circuit which consists of IC-12, 13. Also the data outputs are converted from 4 lines to 16 lines in IC-3, 4 and then written in IC-5, 6.

The memory data are picked up as needed, and applied to CPU via IC-7 and IC-11, for calculation.

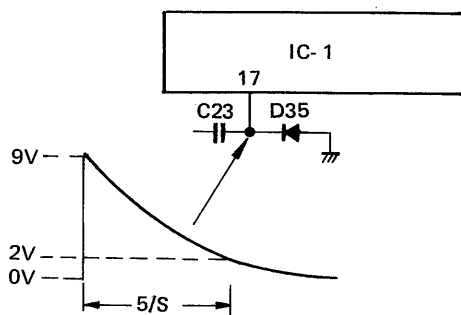


FIGURE 1

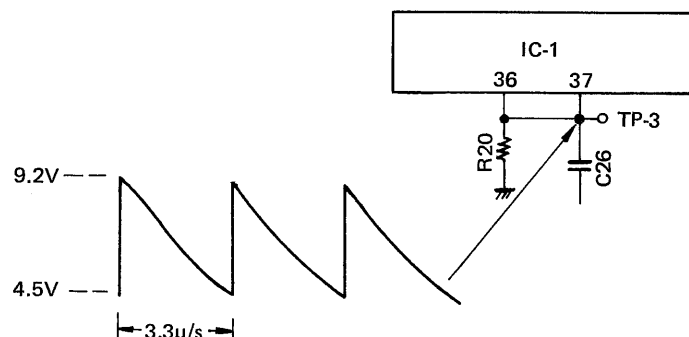


FIGURE 2

The CPU does the Clock count. IC-8, 9 pick up a 6.4 MHz Crystal oscillated frequency in the PLL, and produce 25 Hz to supply CPU with the 25 Hz. To protect Clock count from a momentary power failure, the Clock backup circuit consisting of Q135, 136, D137, 138 and a 9 volt Battery activates.

Output from PLL circuit controls the VCO via a Low-Pass Filter which consists of Q2, 3, 4 and D3, 4, 34.

All circuits except Audio Power Amp circuit are supplied with stabilized voltage. The CPU power supply is 9 volts from a DC – DC converter which works on well-regulated 5 volts. This is to prevent CPU malfunction due to low voltage, such as the sharp voltage drop when an engine starts when the unit used in a vehicle.

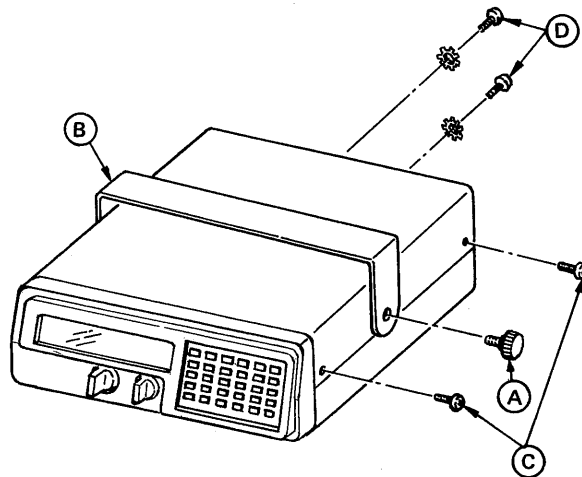
The handic 0050 draws approximately 220V – 60 mA AC, or 12V – 120 mA DC current to keep clock count even when the unit power switch is OFF.

Be sure to disconnect the AC plug (DC connector) when changing any component part for repair.

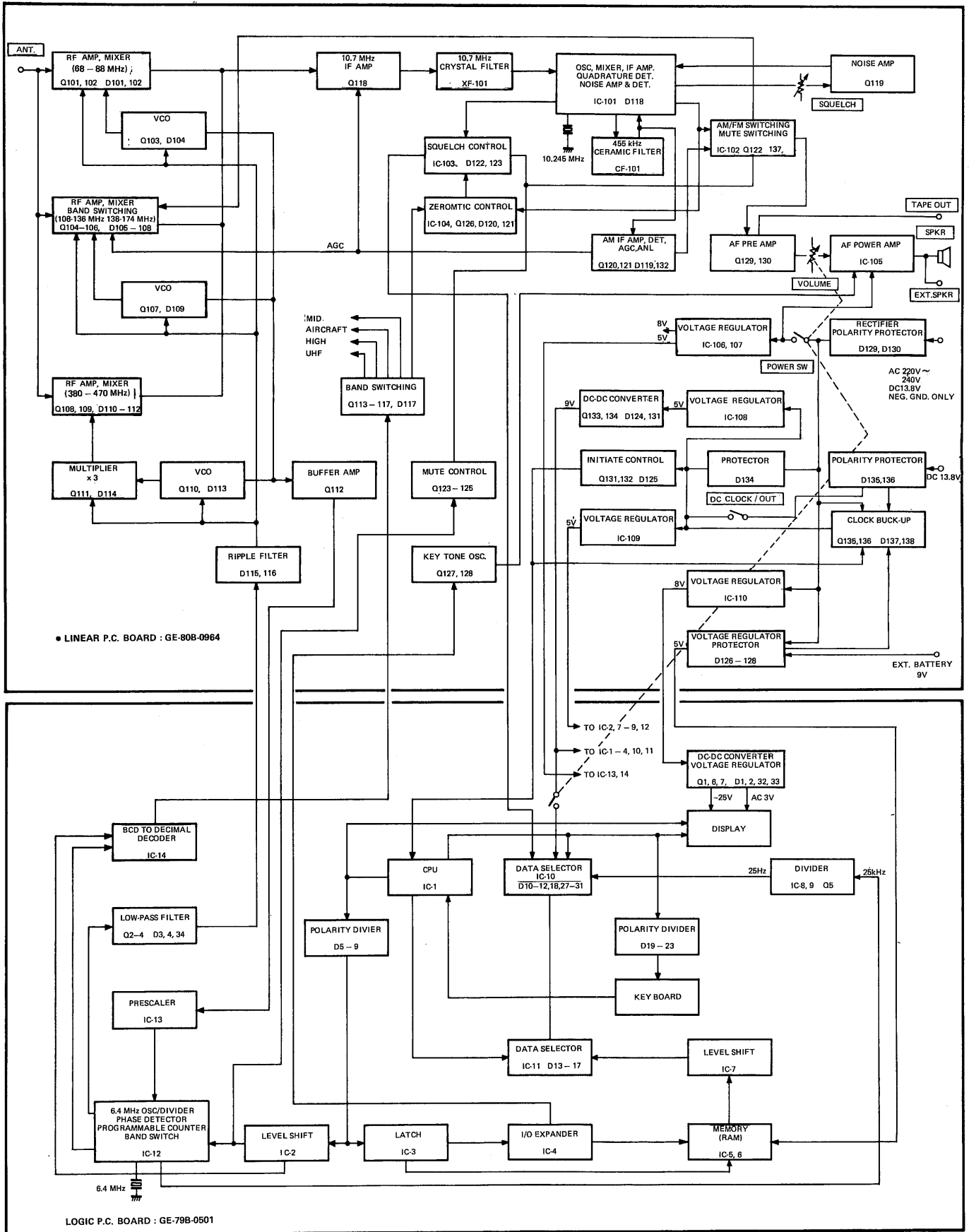
In the event of IC latch-up while checking the circuit, just disconnect the power source for about a minute.

DISASSEMBLY DIAGRAM

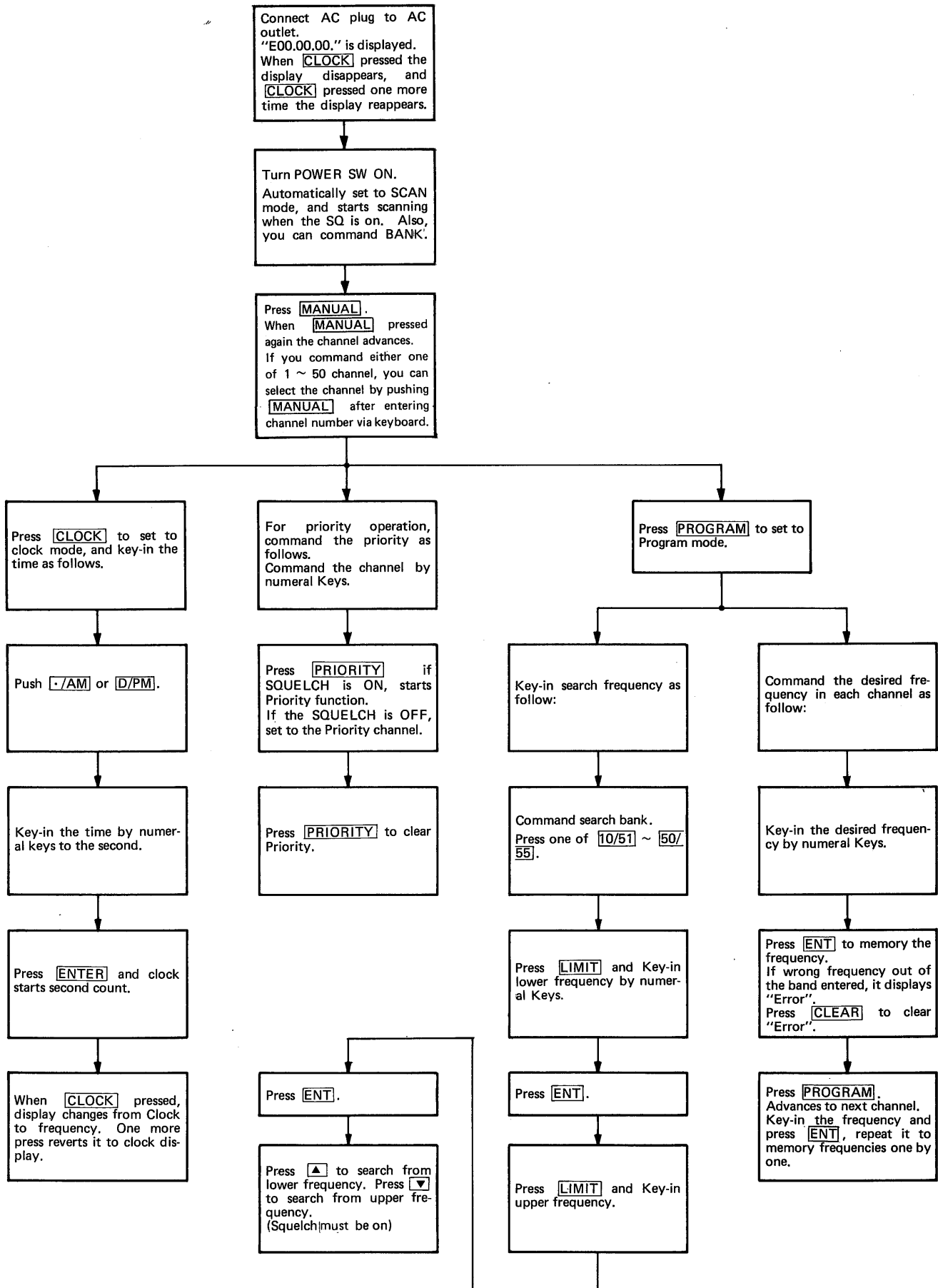
- Step 1: Remove two bracket screws (A) and the bracket (B).
- Step 2: Remove four screws (C) two from each side of the Cabinet.
- Step 3: Remove two screws (D) back side of the cabinet.
- Step 4: Open the cabinet. Use care not to damage leads of speaker installed on the cabinet.



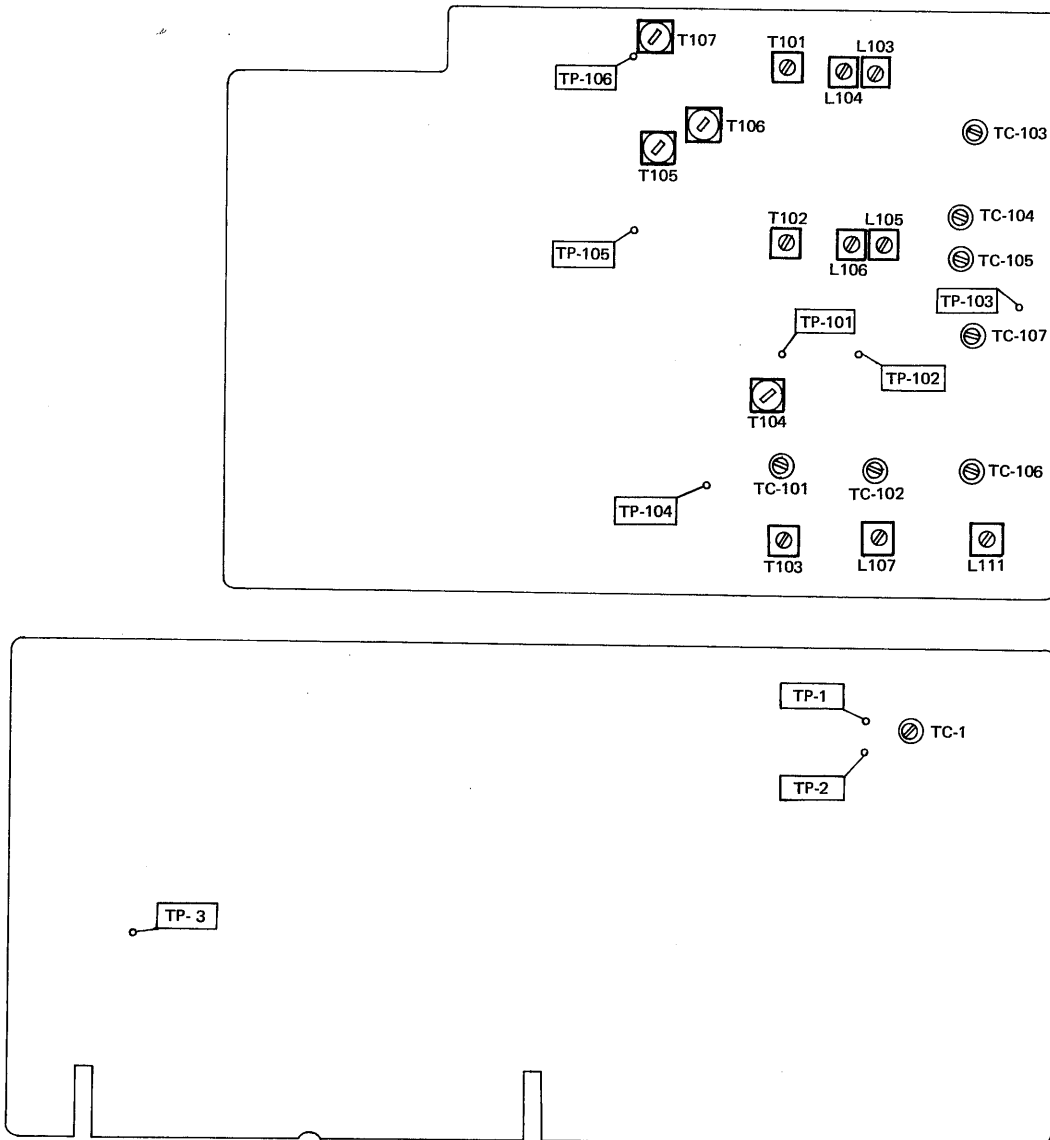
BLOCK DIAGRAM



GENERAL OPERATION OUTLINE



ALIGNMENT AND TEST POINT POSITIONS



ALIGNMENT PREPARATION

Test equipment required

1. Oscilloscope (0 ~ 500 kHz, 0 ~ 50 MHz)
2. AC VTVM
3. DC VTVM
4. Frequency Counter (60 MHz)
5. 8 ohms dummy load
6. Slow Sweep Generator with variable marker (10.7 MHz)
7. VHF Sweep Generator with variable marker (68 ~ 88 MHz, 108 ~ 174 MHz)
8. UHF Sweep Generator with variable marker (380 ~ 470 MHz)
9. FM Signal Generator (68 ~ 88 MHz, 138 ~ 174 MHz, 380 ~ 470 MHz)
10. AM Signal Generator (108 ~ 136 MHz)

NOTE 1: Use non-metallic tuning tools.

The test equipment and Receiver should be warmed up at least 10 minutes before proceeding with alignment. Input signal from the Generator should be kept as low as possible and still obtain usable output.

NOTE 2: A 9-volt battery is required to hold the memory when AC is disconnected. Always be sure the unit is loaded with a fresh 9-volt battery or the pre-programmed channels will be lost (and will have to be re-programmed).

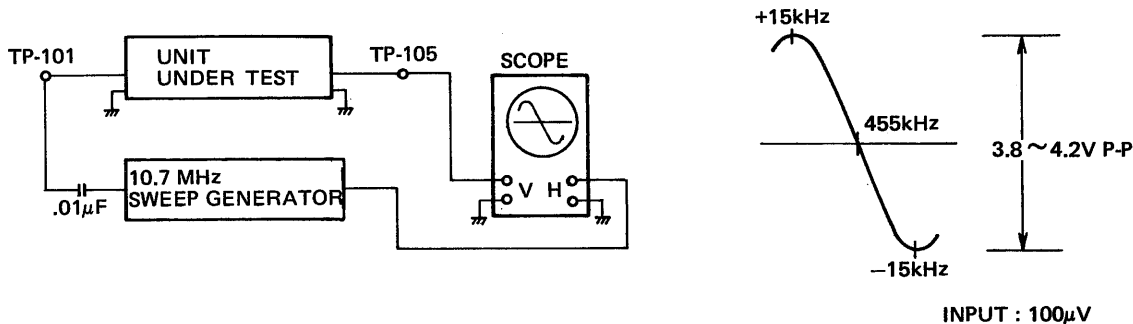
REFERENCE FREQUENCY OSC ALIGNMENT

- Step 1: Connect Frequency Counter to TP1 and ground. Connect the ground first to prevent IC-12 latch-up.
 Step 2: Adjust TC-1 so that the frequency is 6.40000 MHz \pm 10 Hz.

NOTE 1: If 6.4 MHz fails to oscillate, it may be due to IC-12 latch-up.
 Unplug the power connector momentary to turn power supply completely off.

IF SECTION ALIGNMENT

- Step 1: Connect instruments as shown below.



- Step 2: Adjust T105 for maximum output so that the 455 kHz marker is in the center of the discriminator curve and for best linearity as shown above.
 During Alignment, maintain Sweep Generator output at the lowest level possible to prevent overloading.

VCO ALIGNMENT

VHF BAND

- Step 1: Connect a DC VTVM to TP-104 and ground
 Step 2: Program CH1, 2 and 3 as follows:
 CH1 (68 MHz), CH2 (78 MHz), CH3 (88 MHz)
 Step 3: Select channel 3 (88 MHz) and adjust TC-101 for 9.0V on the DC VTVM
 Step 4: Select channel 1 (68 MHz) and adjust T103 for 1.0V on the DC VTVM
 Step 5: Repeat steps 3 and 4 until no improvement is observed.

The DC VTVM should show as below.

68 MHz	Voltage of TP-104	1.0V
78 MHz	Voltage of TP-104	3.4V \pm 0.3V
88 MHz	Voltage of TP-104	9.0V

VHF HI BAND AND AIRCRAFT

- Step 1: Connect a DC VTVM to TP104 and ground.
 Step 2: Program CH1, 2, 3, 4, 5 and 6 as follows.
 CH1 (108 MHz), CH2 (120 MHz), CH3 (136 MHz), CH4 (138 MHz), CH5 (160 MHz), CH6 (174 MHz).
 Step 3: Select Channel 6 (174 MHz) and adjust TC102 for 8.0V on the DC VTVM.
 Step 4: Select Channel 1 (108 MHz) and adjust L107 for 1.0V on the DC VTVM.
 Step 5: Repeat steps 3 and 4 until no improvement is observed. The DC VTVM should show as below.

108 MHz	Voltage at TP-104	1.0V
120 MHz	Voltage at TP-104	2.1 \pm 0.3V
136 MHz	Voltage at TP-104	3.6 \pm 0.3V
138 MHz	Voltage at TP-104	1.8 \pm 0.3V
160 MHz	Voltage at TP-104	3.9 \pm 0.3V
174 MHz	Voltage at TP-104	8.0V

UHF BAND

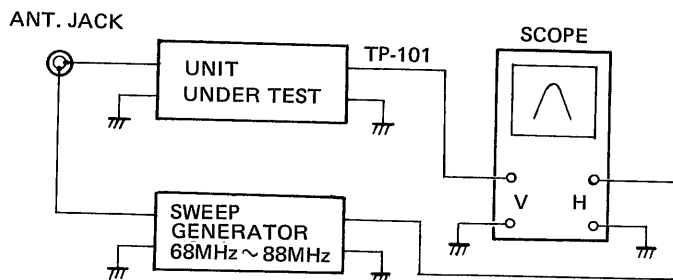
- Step 1: Connect a DC VTVM to TP-104 and ground.
Step 2: Program CH1, 2 and 3 as follows:
CH1 (380 MHz), CH2 (430 MHz), CH3 (470 MHz).
Step 3: Select Channel 3 (470 MHz) and adjust TC-106 for 9.0 V on the DC VTVM.
Step 4: Select Channel 1 (380 MHz) and adjust L111 for 1.0 V on the DC VTVM.
Step 5: Repeat steps 3 and 4 until no improvement is observed. The DC VTVM should show as below.

380 MHz	Voltage at TP-104	1.0 V
430 MHz	Voltage at TP-104	3.4 V \pm 0.3 V
470 MHz	Voltage at TP-104	9.0 V

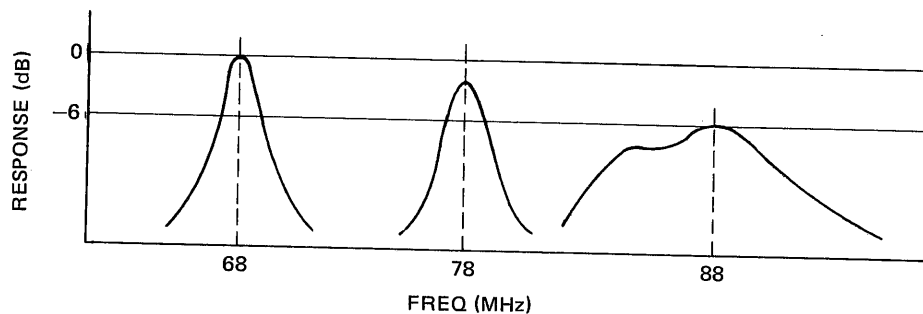
RF AMP ALIGNMENT

VHF MID BAND

- Step 1: Connect instruments as shown below.

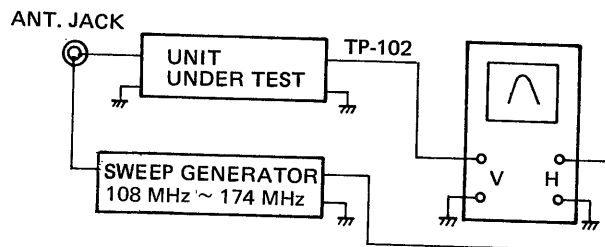


- Step 2: Program 68 MHz (CH1), 78 MHz (CH2), 88 MHz (CH3).
Step 3: Select Channel 1 (68 MHz) and adjust T101 and T102 for maximum RF waveform.
Step 4: Check the Channels 1 ~ 3 one by one for maximum RF waveform.
Slight deviation as shown below is tolerable.

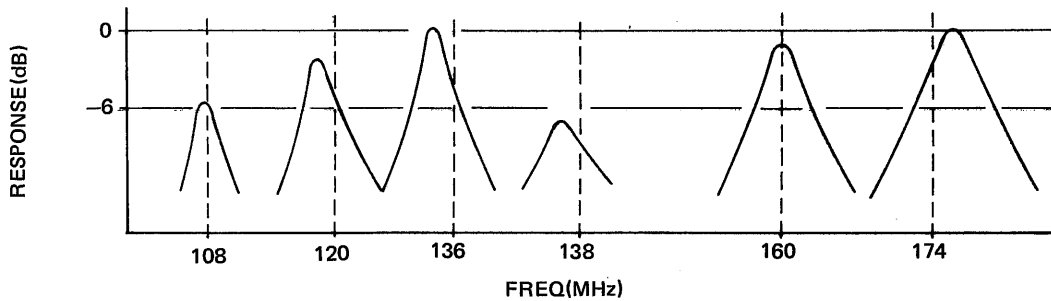


VHF HI AND AIRCRAFT

- Step 1: Connect instruments as shown below.

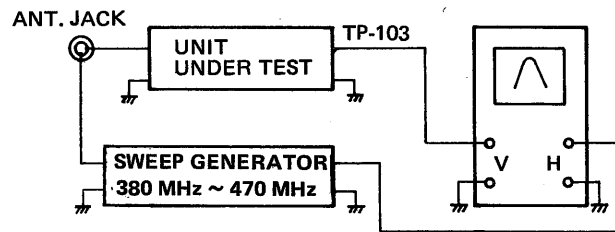


- Step 2: Program 108 MHz (CH1), 120 MHz (CH2), 136 MHz (CH3), 138 MHz (CH4), 160 MHz (CH5) and 174 MHz (CH6).
- Step 3: Select Channel 1 (108 MHz) and adjust L104 and L106 for maximum RF waveform.
- Step 4: Select Channel 5 (160 MHz) and adjust L103 and L105 for maximum RF waveform.
- Step 5: Repeat steps 3 and 4 to obtain the maximum RF waveform for each channel.
- Step 6: Check the Channels 1 ~ 6 one by one for the maximum RF waveform at each frequency marker. Slight deviation as shown below is tolerable.

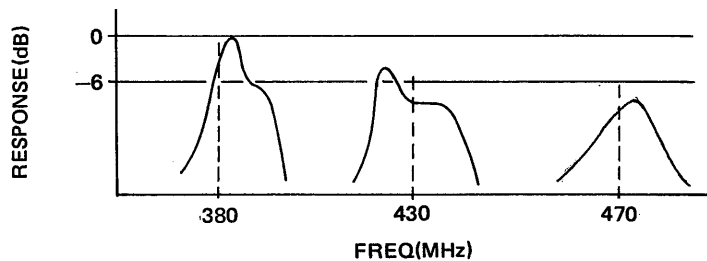


UHF BAND

- Step 1: Connect instruments as shown below.



- Step 2: Program 380 MHz (CH1), 430 MHz (CH2) and 470 MHz (CH3).
- Step 3: Select Channel 2 (430 MHz) and adjust TC-103, TC-104, and TC-105 for maximum RF waveform.
- Step 4: Select Channel 3 (470 MHz) and adjust TC-107 for maximum RF waveform.
- Step 5: Check the Channels 1 ~ 3 one by one for the maximum RF waveform at each frequency marker. Slight deviation as shown below is tolerable.



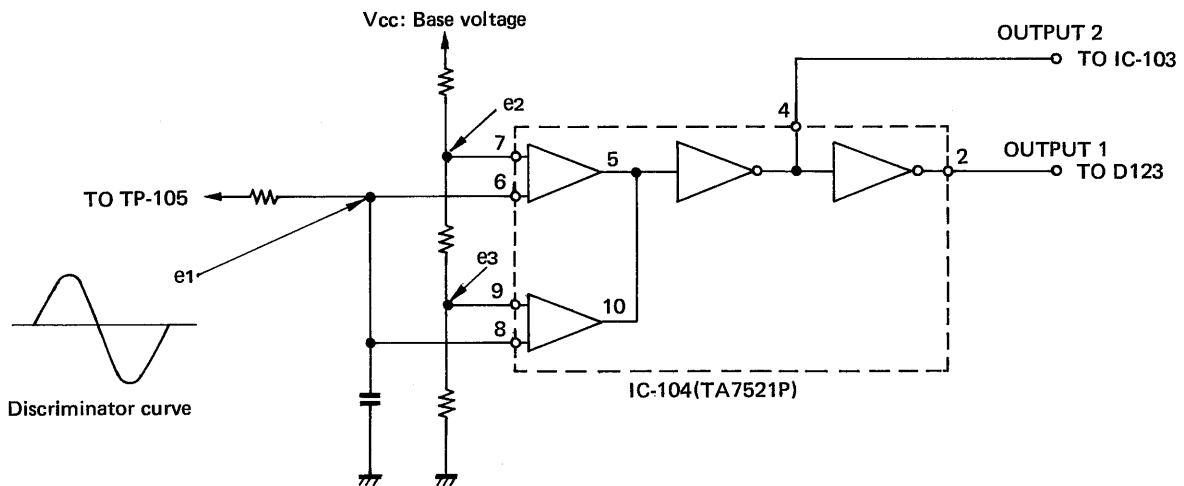
OVERALL ALIGNMENT AND SENSITIVITY MEASUREMENT

- Step 1: Connect Signal Generator (SSG) to ANTenna jack and AC VTVM to EXT. SPKR Jack.
 Step 2: Turn SQUELCH fully counterclockwise. Set for reception of the channels noted in the following chart. Set the SSG to the center of each band.

CH	BAND	FREQ.
1	VHF MID	78 MHz
2	VHF HI	160 MHz
3	UHF	470 MHz
4	AIRCRAFT	120 MHz

- Step 3: Set the Signal Generator frequency to 470 MHz (channel 3). Readjust TC-107 for maximum sensitivity.
 Step 4: Set the Signal Generator frequency to 120 MHz (channel 4). Adjust T104, T106 and T107 for maximum sensitivity.
 Step 5: For each frequency/channel, set Signal Generator to each frequency (FM: 5 kHz deviation, AM: 60% modulation). Set VOLUME control for 0 dB (0.775 V) reading on the VTVM.
 Step 6: Turn off the modulation and measure the (S + N)/N ratio.

ZEROMATIC FUNCTION AND HOW TO CHECK IT



* Zeromatic functions when OUTPUT 1 is in "H" level.

e_1	$0 < e_1 < e_3$	$e_3 < e_1 < e_2$	$e_2 < e_1 < V_{CC}$
OUTPUT 1 (Pin No. 2)	L	H	L
OUTPUT 1 (Pin No. 4)	H	L	H

To adjust e_1 voltage, receive signal in Manual mode, and set T105 to get half supply voltage (IC101, 4 pin). It is convenient to use National Weather Service Signal for the adjustment.

In the event Zeromatic does not function right, refer to "REFERENCE FREQUENCY OSC ALIGNMENT" and check 6.4 MHz, and adjust T105 again.

NOTE:

TP-2 is for checking PHASE Lock/Unlock Detection.

PLL circuit is locked: Low level

PLL circuit is unlocked: High level or Pulse output

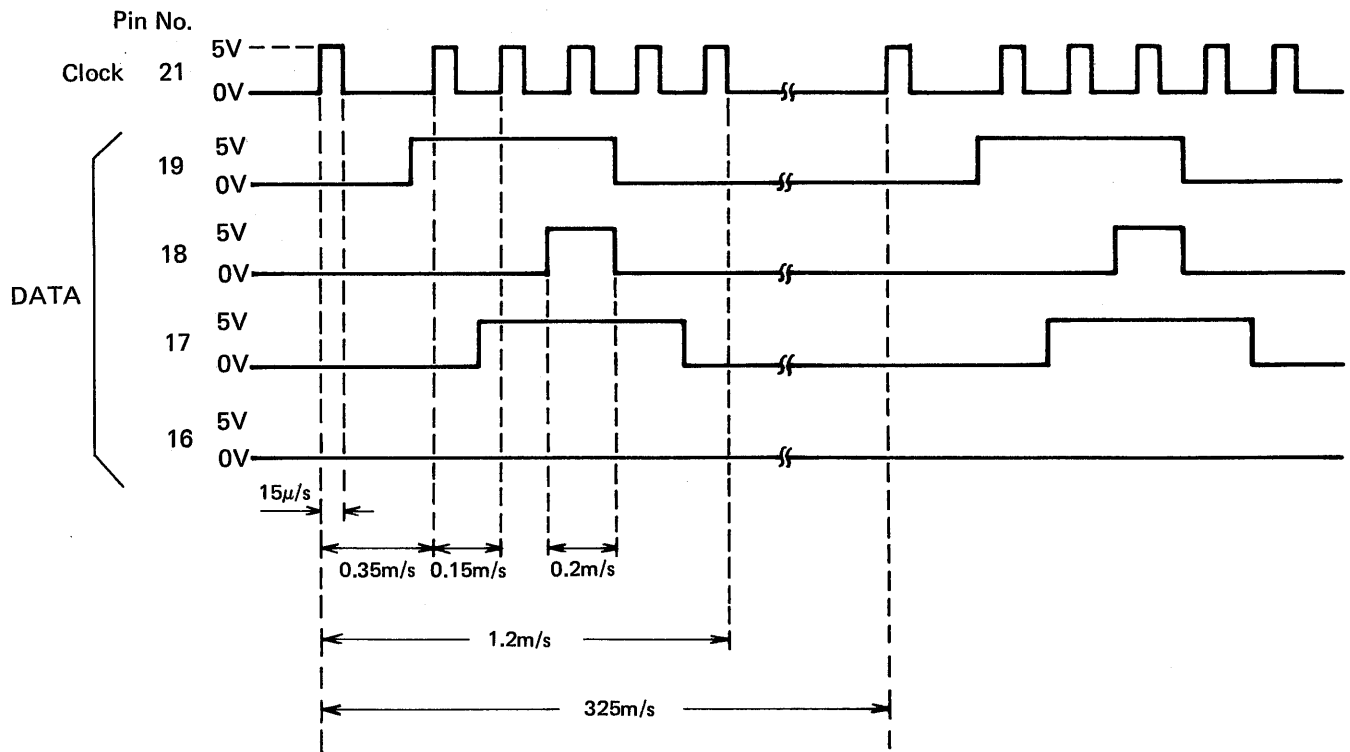
TP-3 is for checking CPU Clock Oscillation:

approximately 300 kHz. Observe 300 kHz sawtooth waveform with an oscilloscope.

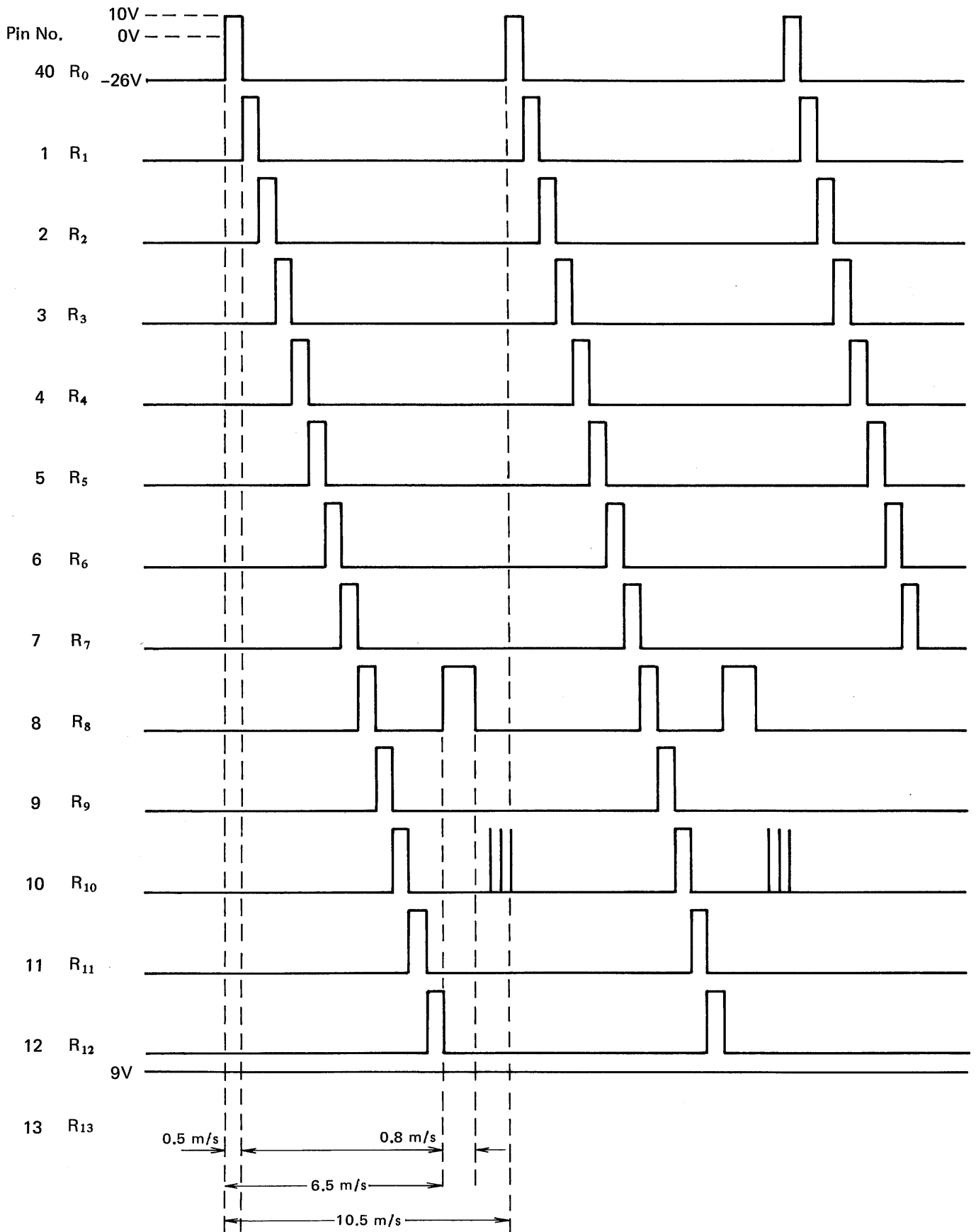
TP-106 is for checking AM Detector output.

DATA INPUT AND PLL CLOCK WAVEFORMS (IC-12)

* Select Bank 1, enter 68 MHz in CH1 ~ 10, and measure the scanning waveforms.

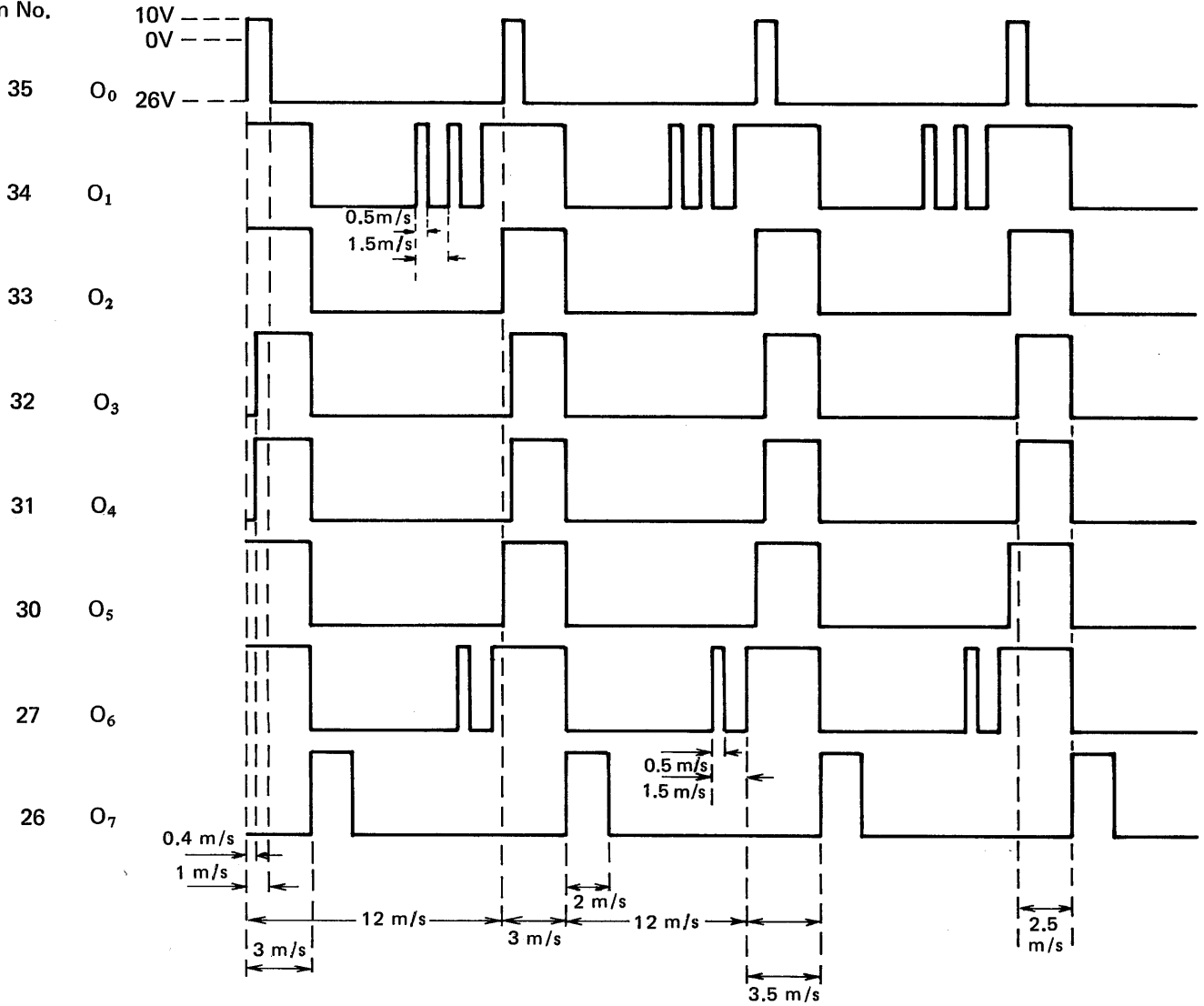


WAVEFORMS AT R₀ ~ R₁₃ OUTPUT TERMINALS OF CPU (IC-1)

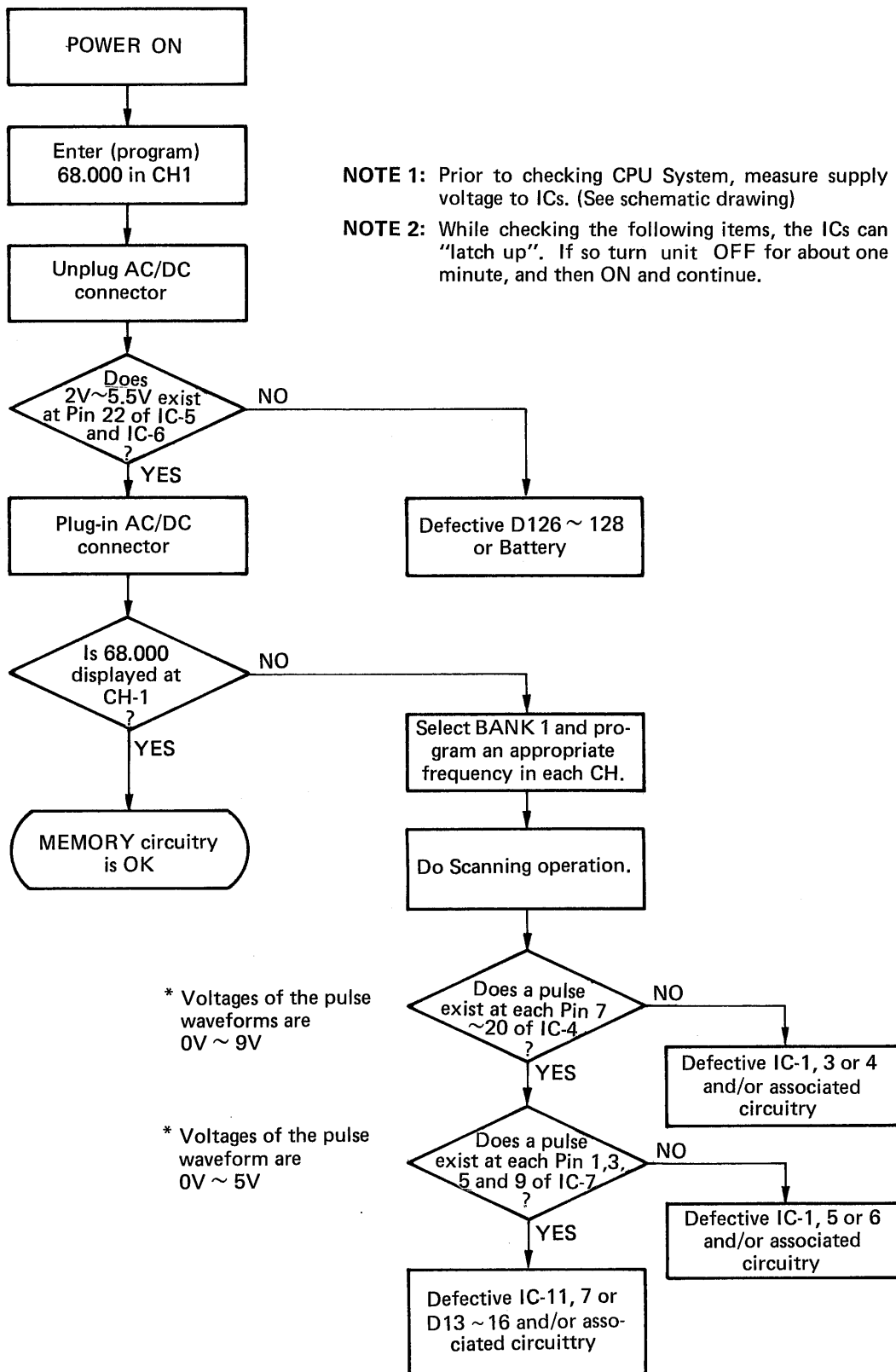


O₁ ~ O₇ OUTPUT SIGNALS IN PROGRAM MODE WHEN CH1 DISPLAY 138 MHz

IC-1 of
Pin No.



MEMORY CHECK



RECEPTION CHECK (When unable to receive)

NOTE 1: Prior to checking, measure supply voltage to ICs. (See schematic drawing)

NOTE 2: While checking the following items, the ICs can "latch up". If so turn unit OFF for about one minute, and then ON and continue.

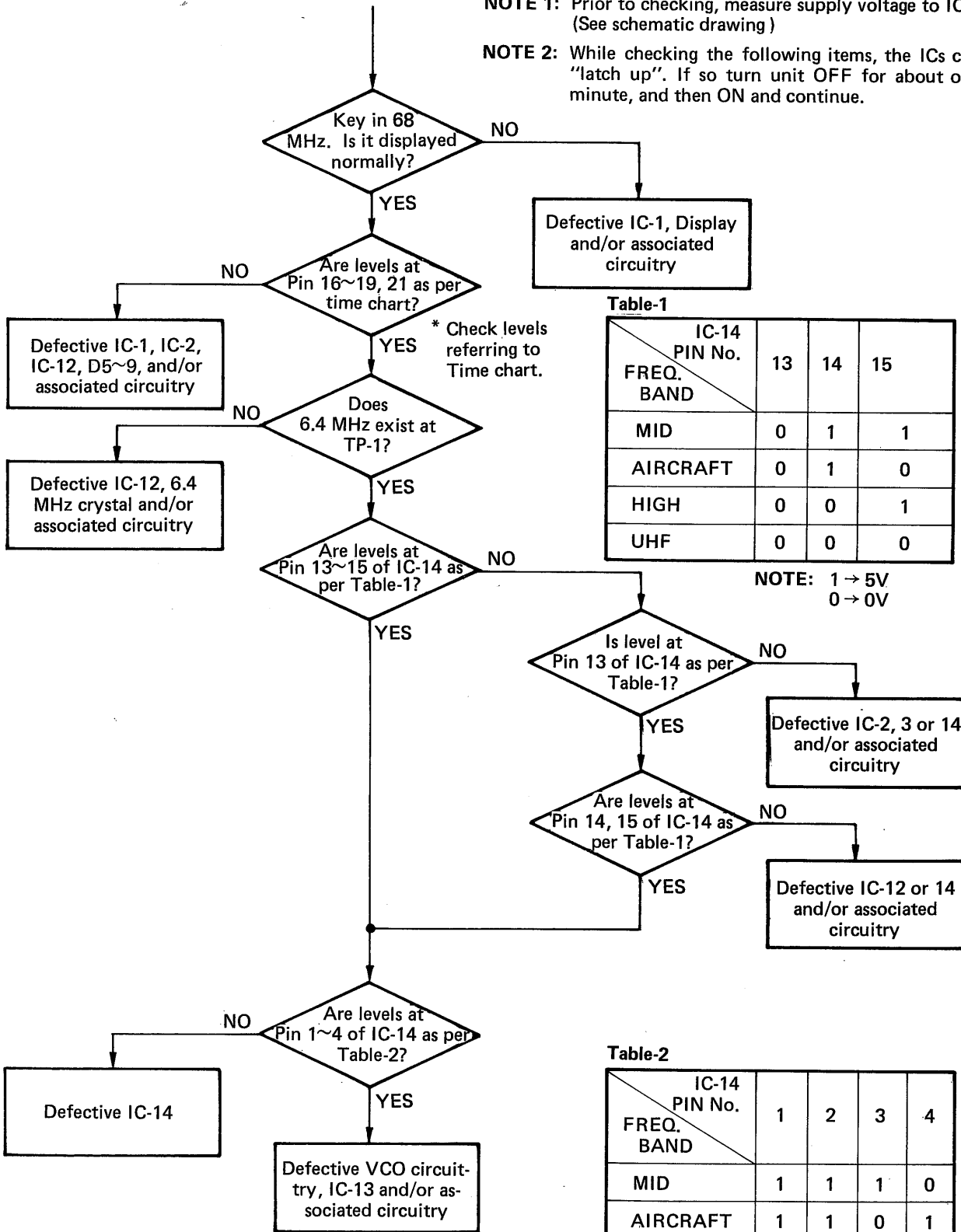


Table-1

IC-14 PIN No.	13	14	15
FREQ. BAND			
MID	0	1	1
AIRCRAFT	0	1	0
HIGH	0	0	1
UHF	0	0	0

NOTE: 1 → 5V
0 → 0V

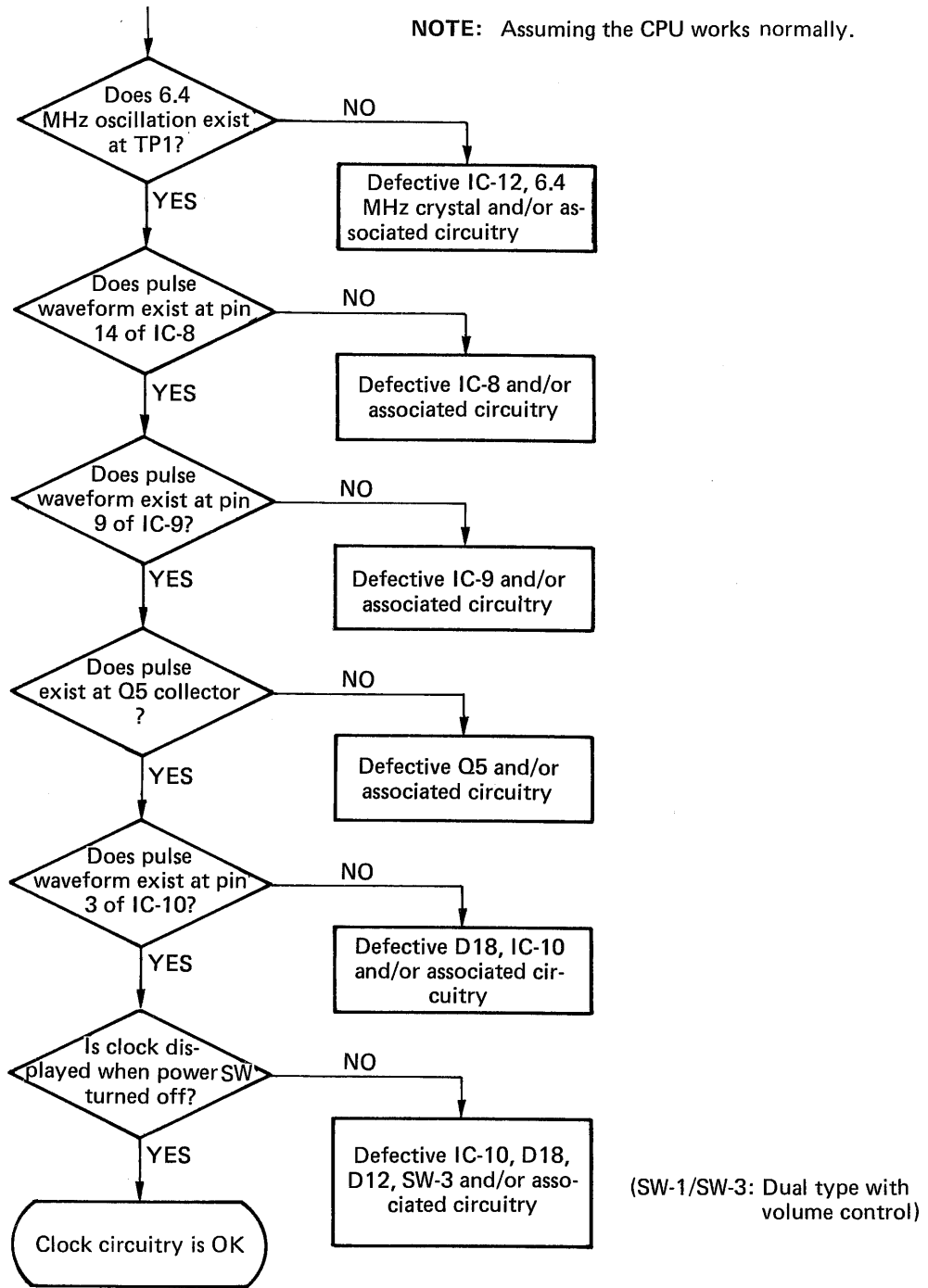
Table-2

IC-14 PIN No.	1	2	3	4
FREQ. BAND				
MID	1	1	1	0
AIRCRAFT	1	1	0	1
HIGH	1	0	1	1
UHF	0	1	1	1

NOTE: 1 → 7.6V
0 → 0V

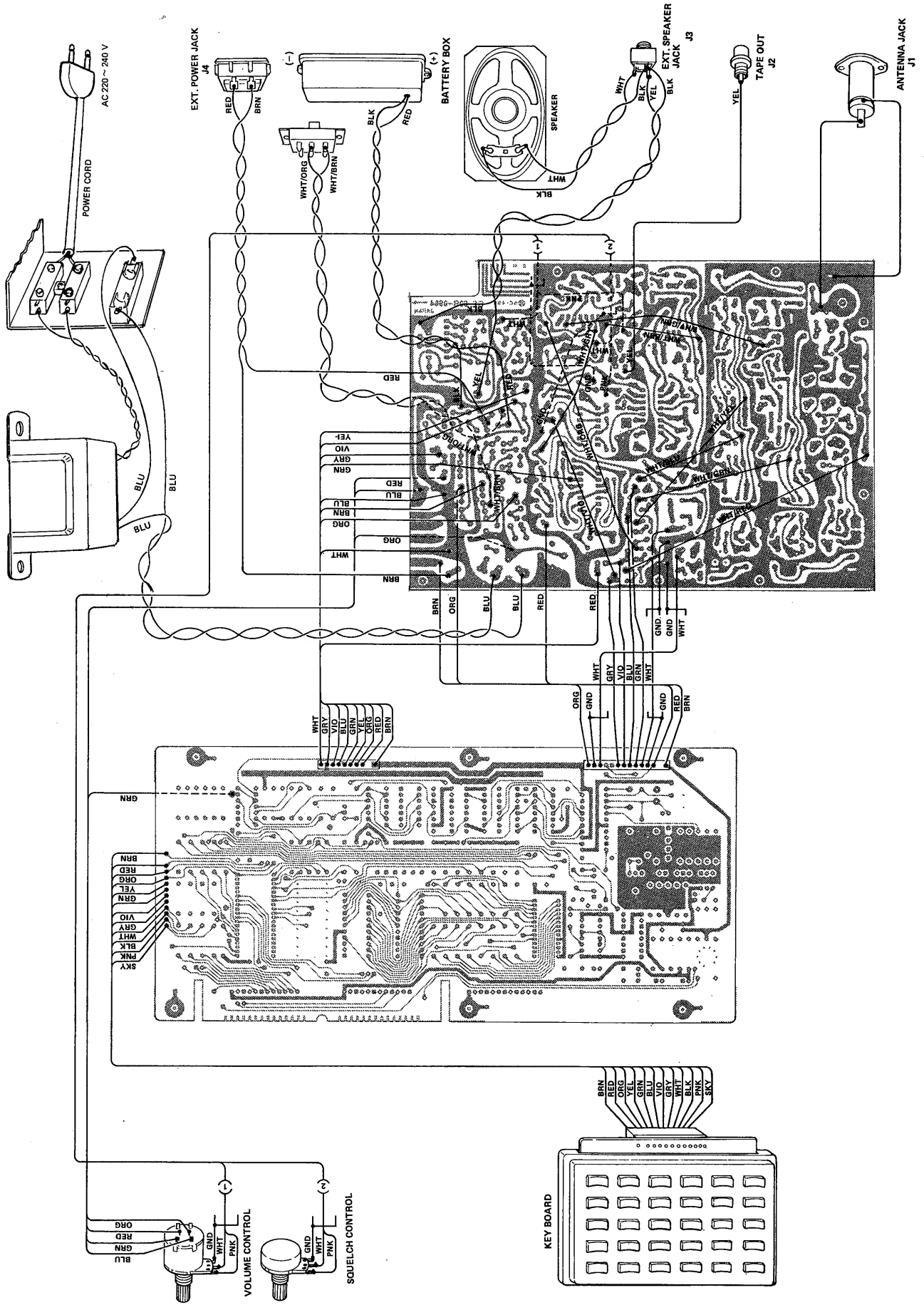
CLOCK FUNCTION CHECK

NOTE: Assuming the CPU works normally.

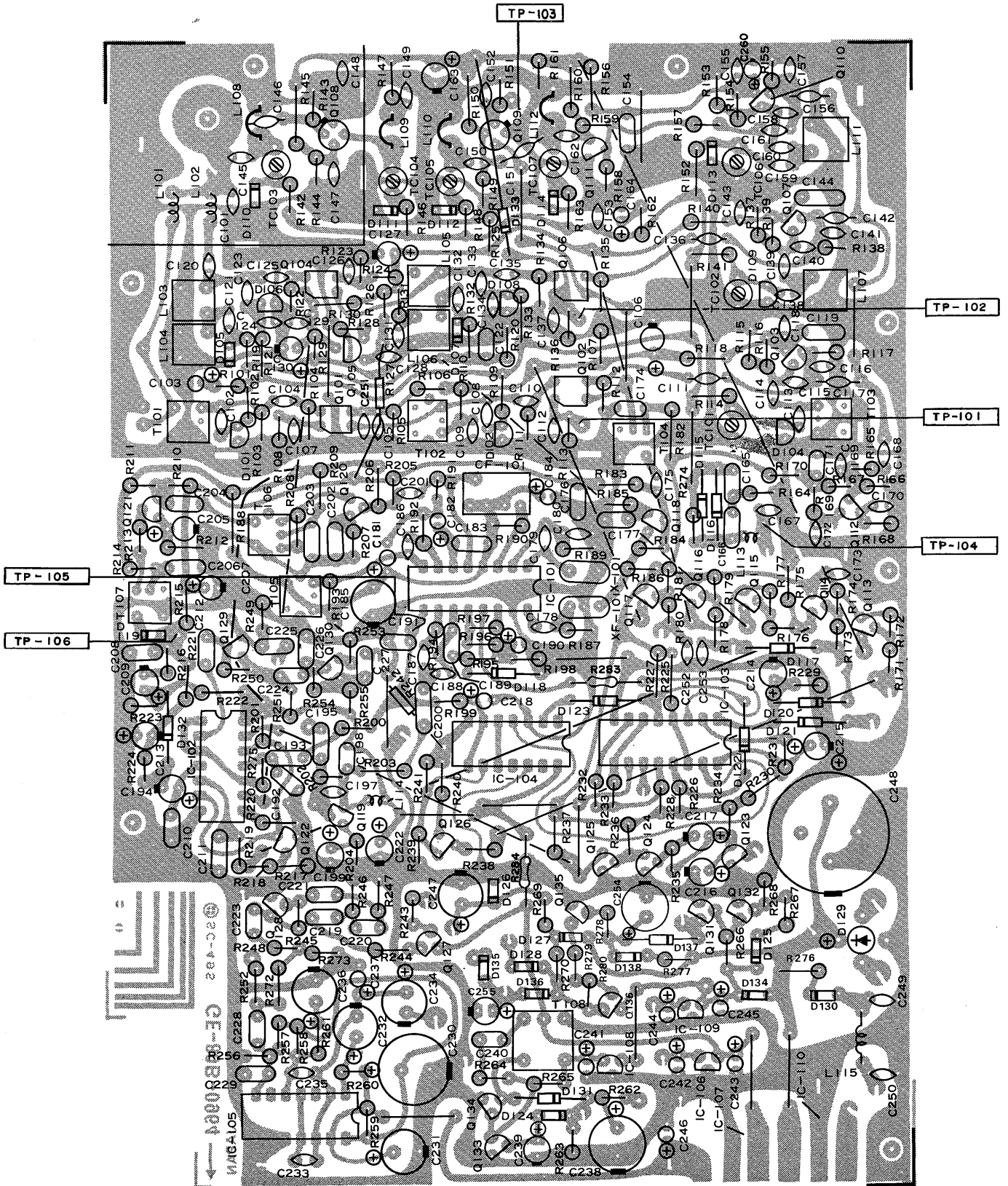


* Voltage level of each waveform in the flow chart shall be 0V ~ 5V.

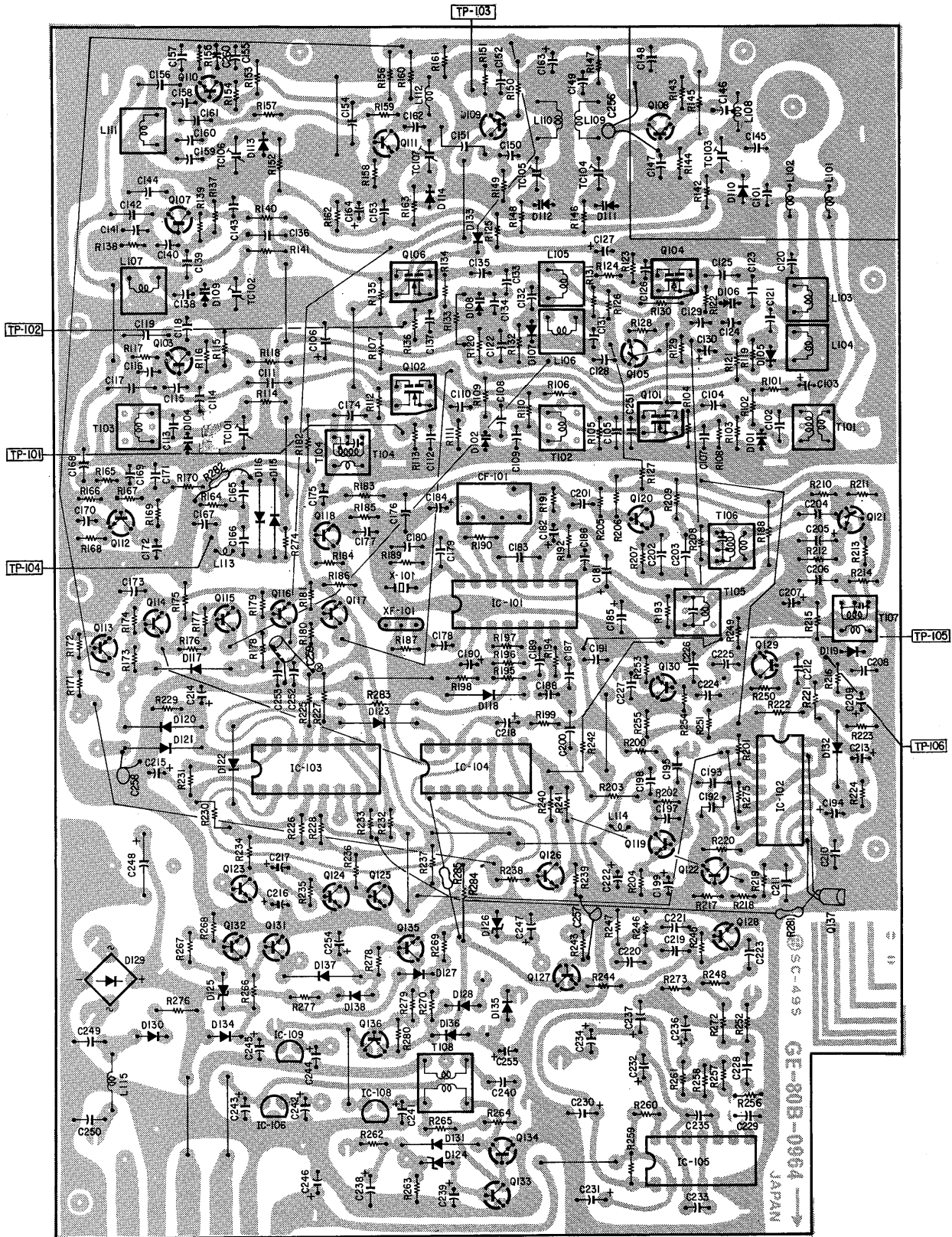
WIRING DIAGRAM



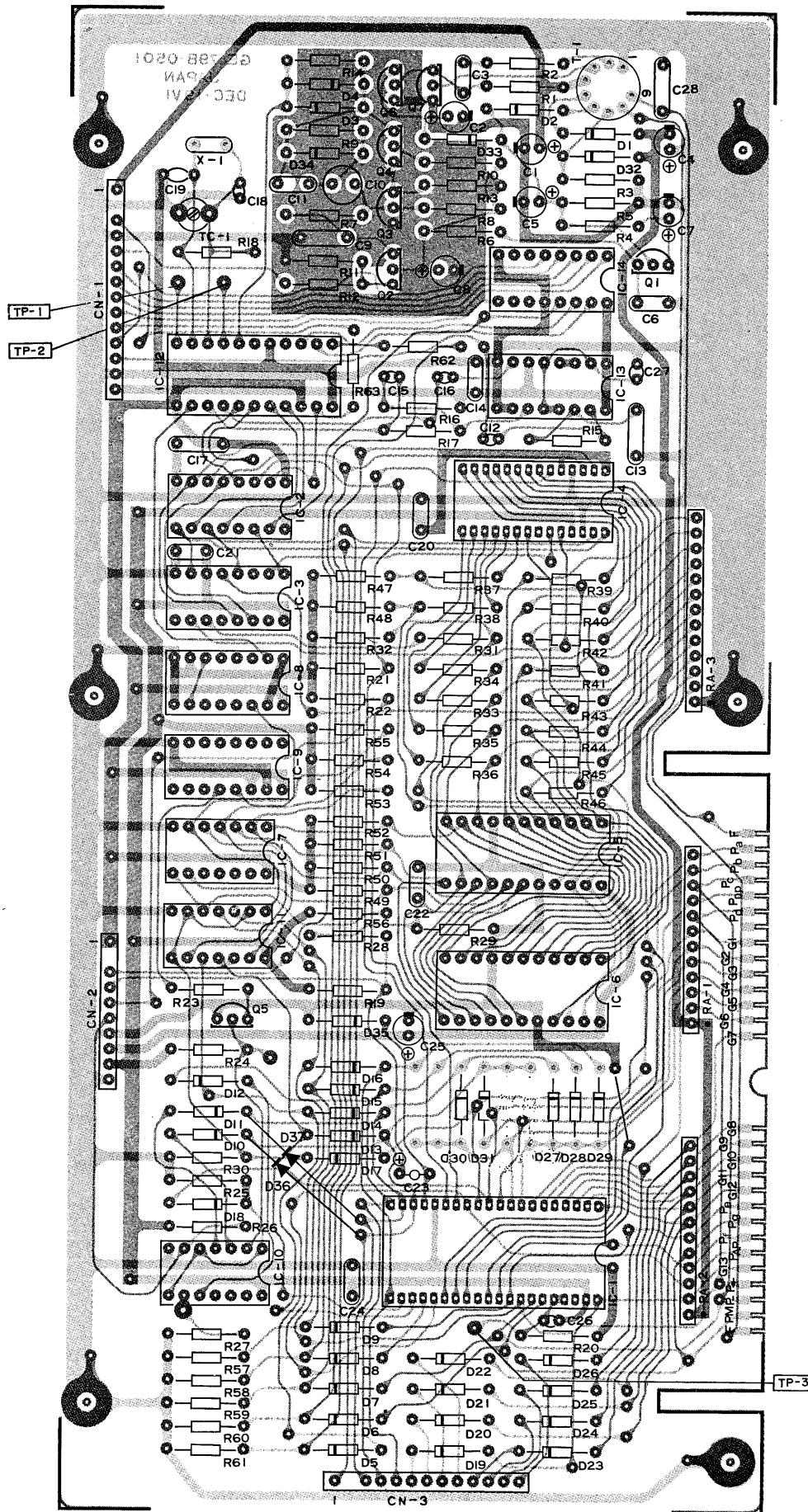
LINEAR P.C.BOARD (TOP VIEW)



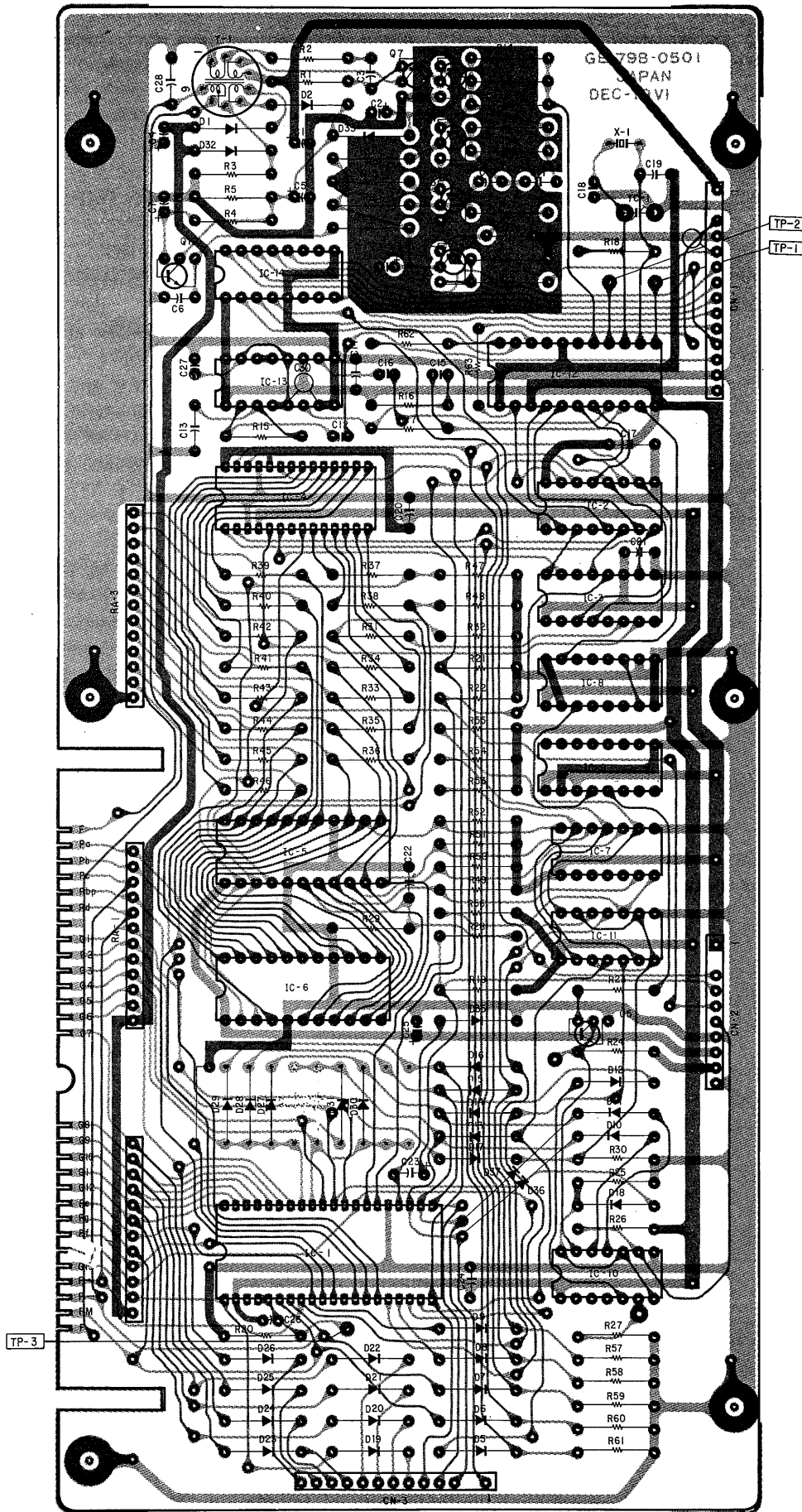
LINEAR P.C.BOARD (BOTTOM VIEW)



LOGIC P.C.BOARD (TOP VIEW)



LOGIC P.C.BOARD (BOTTOM VIEW)



TROUBLESHOOTING

Symptom	Possible Cause
1) Display does not light and no sound when POWER is on. Volume control: MAX. Squelch control: counterclockwise (CCW)	1) Faulty power cord. 2) Defective power transformer. 3) Defective power switch. 4) Defective rectifier D129 or Polarity Protector D130.
2) Display lights but no sound. Volume control: MAX. Squelch control: CCW	1) Defective speaker or EXT. SPKR jack. 2) Defective audio amplifier IC-105, Q129, 130 and/or associated circuit components. 3) Defective IF amplifier IC-101 and/or associated circuit components. 4) Defective functional squelch control and mute switching IC-102, 103 and/or associated circuit components.
3) Sound but display does not light. Volume control: MAX. Squelch control: CCW	1) Defective DC-DC converter consisting of Q1, 6, 7, D1, 2, 32, 33. 2) Defective fluorescent display tube. 3) Defective voltage Regulator IC-110. 4) Defective converter consisting of Q133, 134, D124, 131. 5) Defective voltage Regulator IC-108. 6) Defective CPU (IC-1) or associated circuit components.
4) Does not scan and squelch does not operate.	1) Defective Q119 and/or associated circuit components. 2) Defective IC-1, D118 and/or associated circuit components. 3) Defective squelch circuit consisting of IC-102, 103.
5) Does not scan but squelch operates.	1) Faulty connection between Linear and Logic P.C.B. 2) Defective Keyboard and/or associated circuit components. 3) Defective IC-1, 10 and/or associated circuit components.
6) Displays incorrectly and/or unable to key in correctly.	1) Defective Keyboard and/or associated circuit. 2) Defective CPU (IC-1) and/or associated circuit. 3) Defective IC-10, 11 and/or associated circuit.
7) Displays correctly at the time of programming, but after scanning becomes faulty.	1) Defective memory IC-5, 6 and/or associated circuit. 2) Defective IC-3 ~ 7, 11 and/or associated circuit. 3) Defective IC-1 and/or associated circuit.
8) MANUAL scan operates but AUTO scan does not operate.	1) All channels are skipped (lockout): each BANK must have at least a channel left not locked out. 2) In the event, stuck in MANUAL mode and unable to turn to AUTOMATIC scan mode, advance the channel one by one by MANUAL scan, (BANK 1: CH1 to 10, BANK 2: CH11 to 20, BANK 3: CH21 to 30, BANK 4: CH31 to 40, BANK 5: CH41 to 50) and release at least a channel from the "lock" in each BANK. 3) Squelch control is not adjusted right.
9) "Zeromatic" does not operate or holds on a drifted frequency at search operation.	1) Defective Q126, IC-104 in Zeromatic circuit. 2) Discriminator coil is out of adjustment. TP-105 shall have 1/2 V _{CC} (approx. 3.1V) in normal receiving mode. 3) Is 6.4 MHz adjusted correctly?

Symptom	Possible Cause
10) All bands do not operate but display OK.	1) Faulty connection between Linear and Logic PCBs. 2) Defective Q2 ~ 5 in Low-pass filter. 3) Defective IC-12, 13 and/or associated circuit. 4) Defective IC-14 and/or associated circuit. 5) Defective Q112 and/or associated circuit.
11) Mid band does not operate but Air, Hi, UHF band operate.	1) Defective Mid band RF Amp, mixer and/or VCO circuit. 2) Defective IC-14, Q117 and/or associated circuit.
12) Aircraft band does not operate but Mid, High, UHF operate.	1) Defective D105, 107, Q114, 115 and/or associated circuit. 2) Defective AM IF Amp including Q120, 121, D119.
13) Aircraft and High band do not operate but Low, UHF band operate.	1) Defective Q104 ~ 106 in RF Amp mixer and/or in VCO circuit. 2) Defective Q114 ~ 116 in band switch circuit.
14) UHF band does not operate but Mid Air, High band operate.	1) Defective Q108 ~ 111 in RF Amp mixer and/or VCO circuit. 2) Defective Q113 in band switch circuit.
15) Stays in Clock mode when Power switch is turned on.	1) Defective SW-3. (SW-3/SW-1: Dual type with Volume control) 2) Faulty wiring for SW-3.
16) Clock does not keep time. Displays "E00,00,00" even with momentary power failure.	1) Discharged 9V battery. 2) Defective Clock backup circuit consisting of Q135, 136, D128, 136 ~ 138.

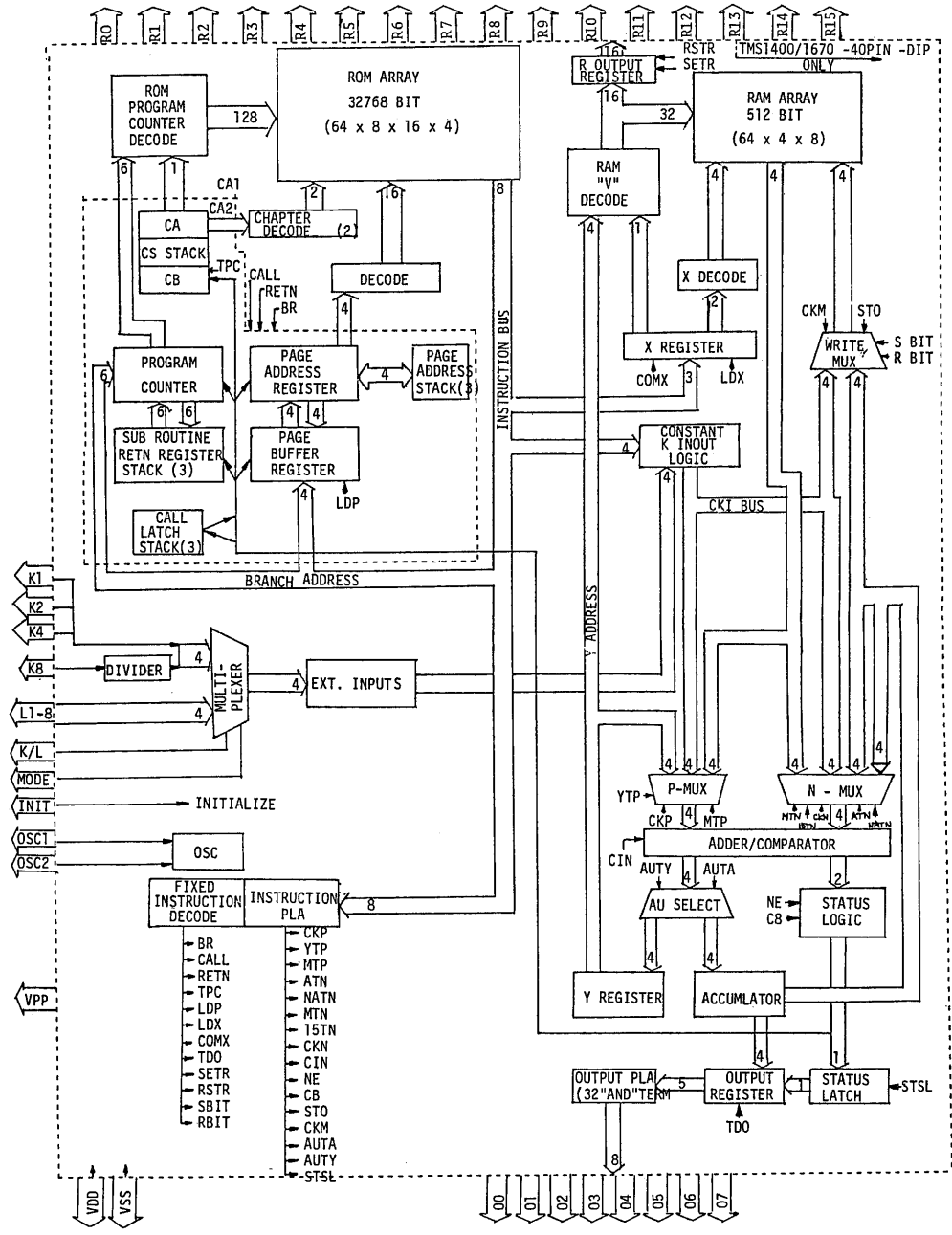
N.B.

Pulse generated while checking circuitries and/or certain combinations of key operation may cause improper operation. To clear the malfunction re-initialization of CPU is necessary: keep pushing **LIMIT** and **▼** simultaneously, and turn power switch off and on. All channels (50 CH) will be cleared and frequency indicator displays 000.0000.

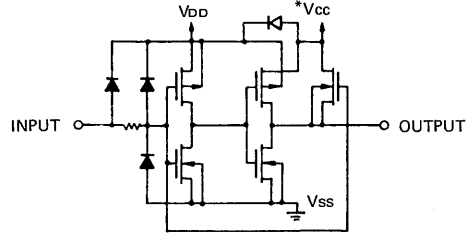
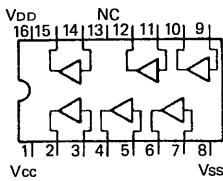
INTEGRATED CIRCUIT LEAD IDENTIFICATION

IC-1 GRE-7832 or GRE-7832A

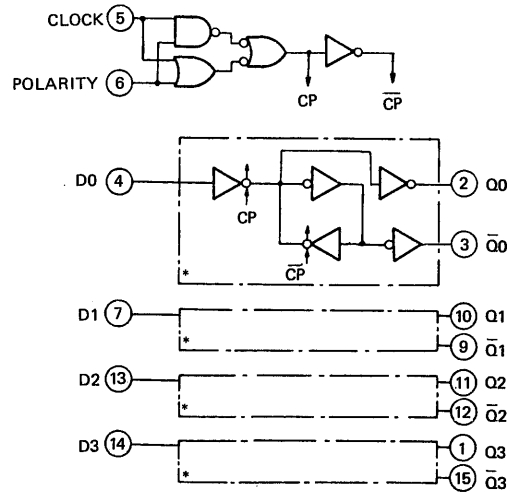
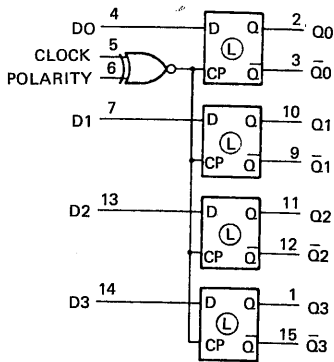
R1	1	40	R0
R2	2	39	Vss
R3	3	*38	Vpp
R4	4	37	OSC2 (OUT)
R5	5	36	OSC1 (IN)
R6	6	35	00
R7	7	34	01
R8	8	33	02
R9	9	32	03
R10	10	31	04
R11	11	30	05
R12	12	29	MODE
R13	13	28	K/L
R14	14	27	06
R15	15	26	07
Vdd	16	25	L8
INIT	17	24	L4
K1	18	23	L2
K2	19	22	L1
K4	20	21	K8



IC-2 TC4010BP

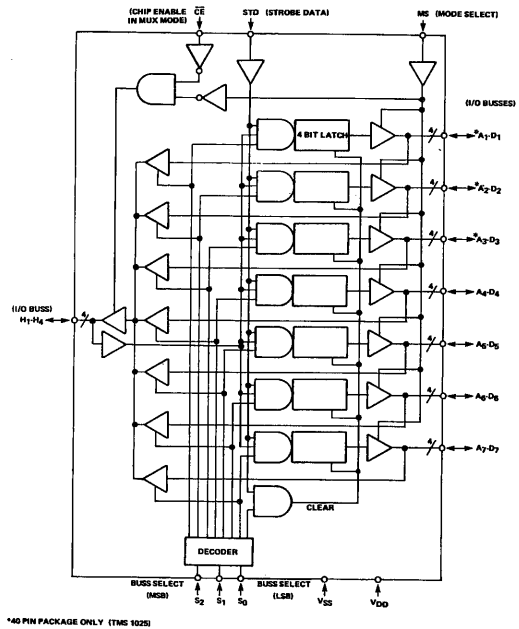
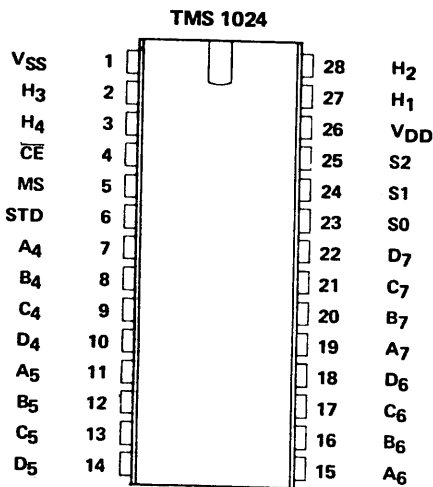


IC-3 TC4042BP



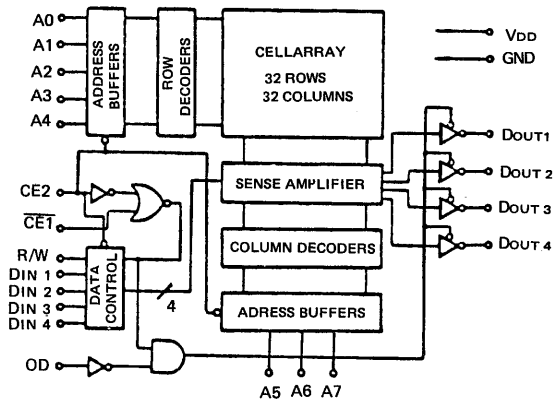
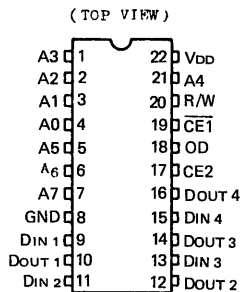
* EQUIVALENT CIRCUITS

IC-4 TMS1024NLL

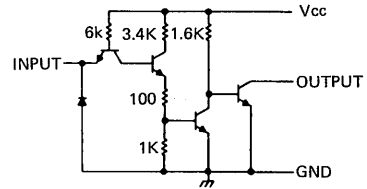
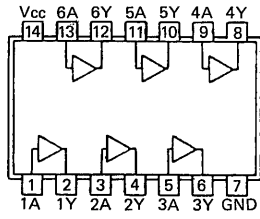


*40 PIN PACKAGE ONLY (TMS 1025)

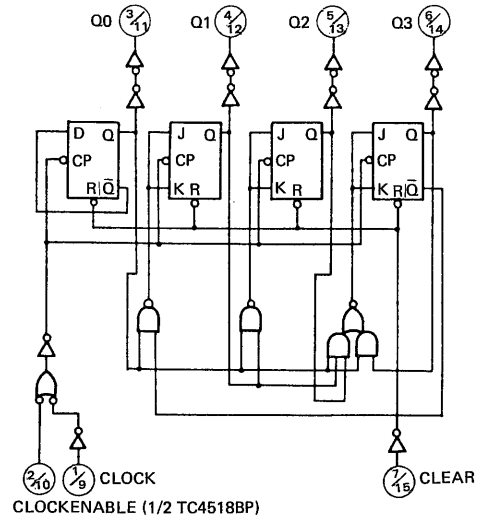
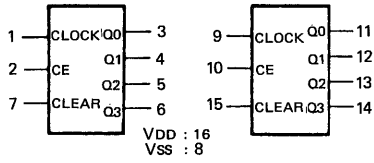
IC-5,6 TC5501P



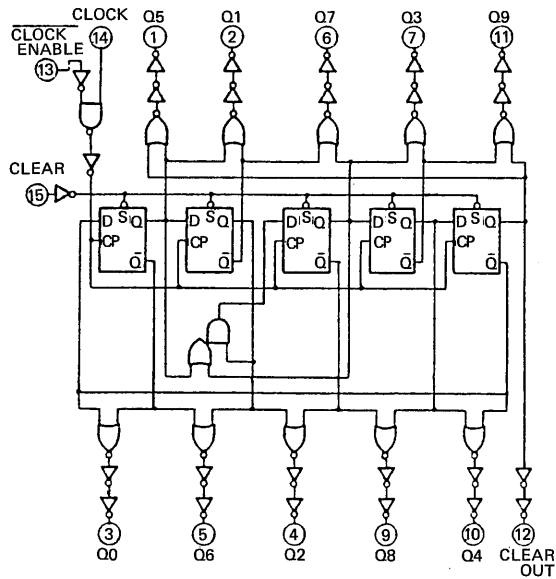
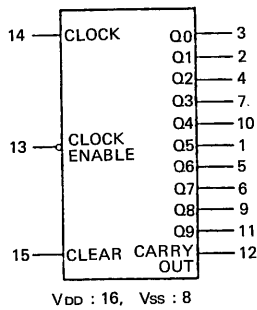
IC-7 SN7407N



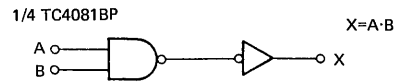
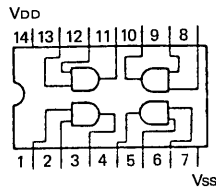
IC-8 TC4518BP



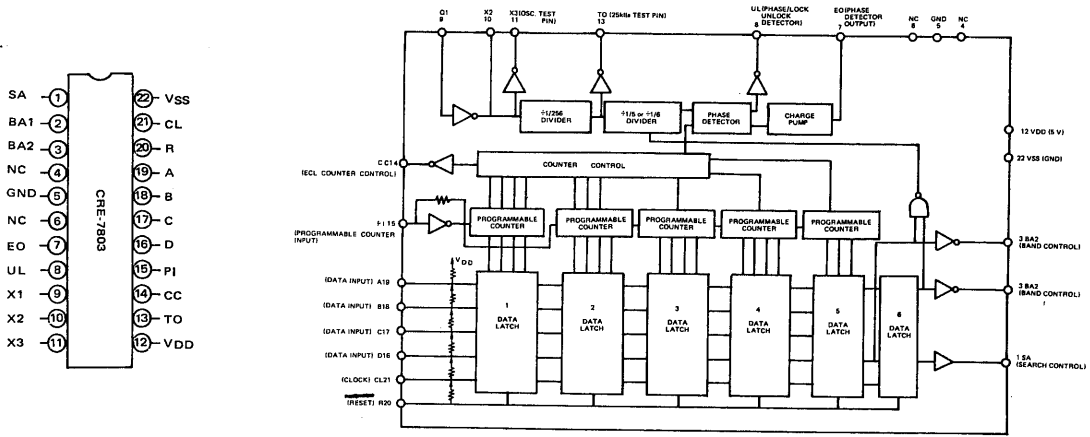
IC-9 TC4017BP



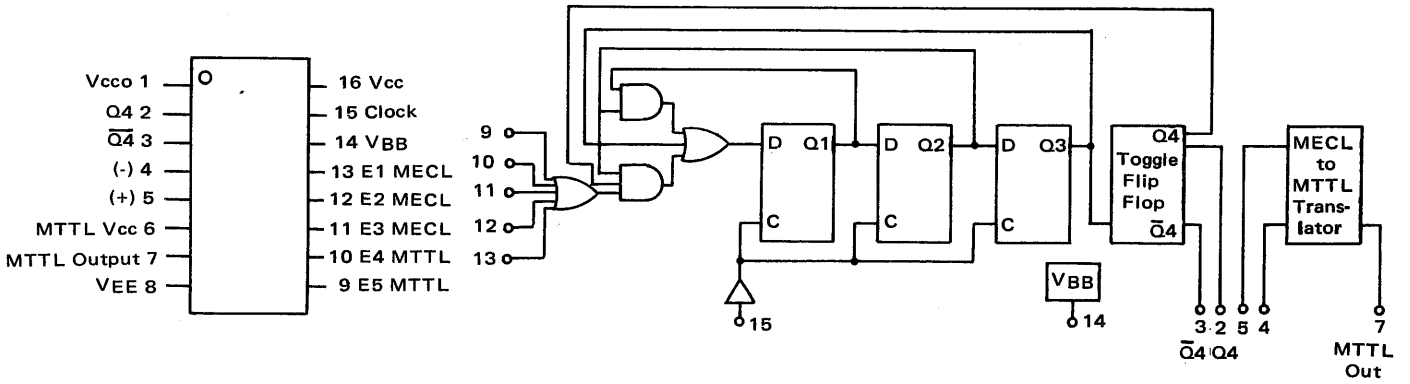
IC-10,11 TC4081BP



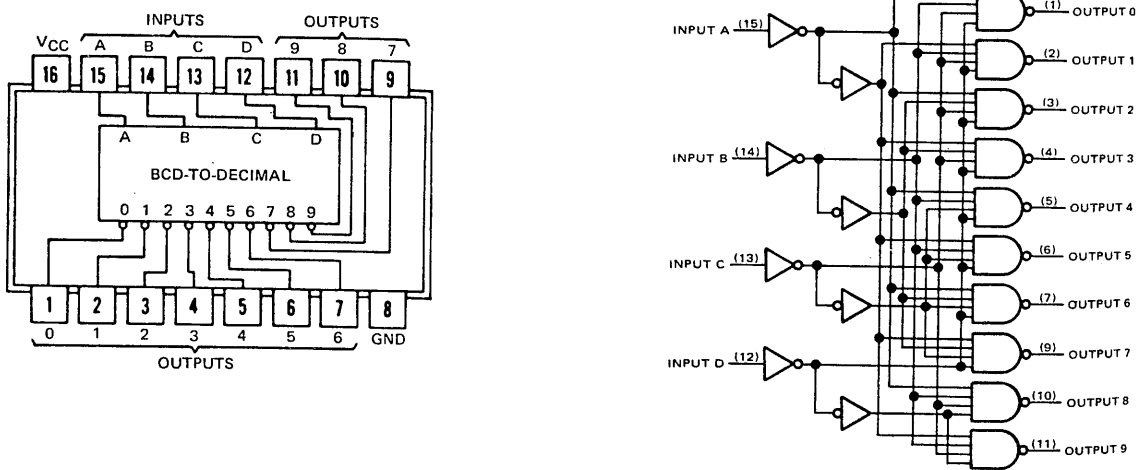
IC-12 GRE-7803A



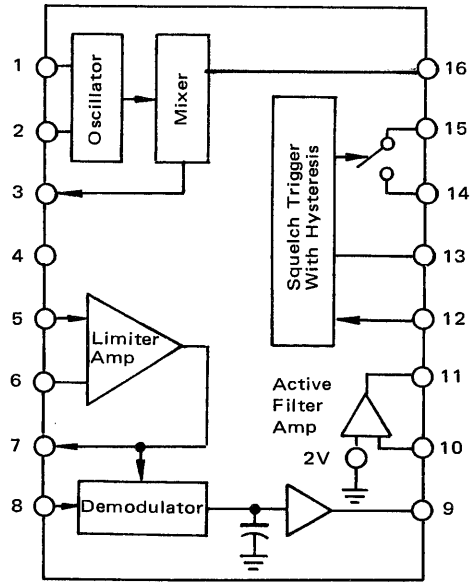
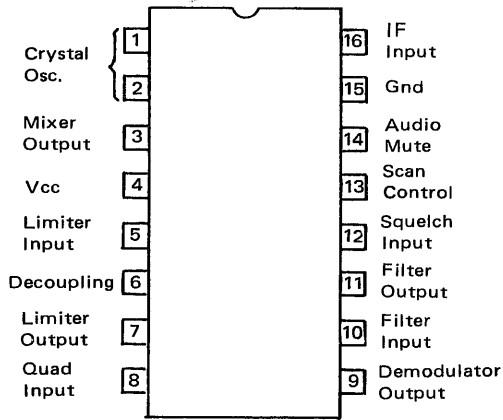
IC-13 MC12013P



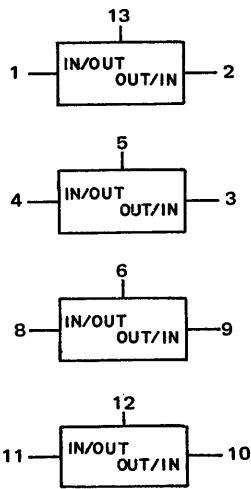
IC-14 SN74145



IC-101 MC3357 or MPS5071

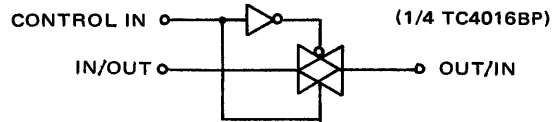


IC-102 TC4016BP

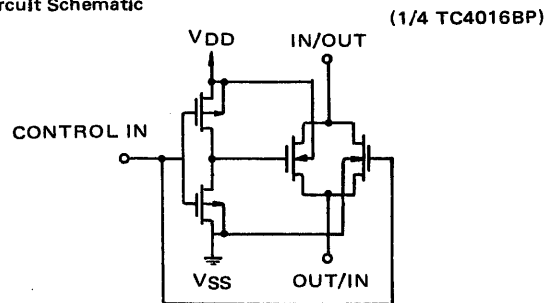


VDD : 14, VSS : 7

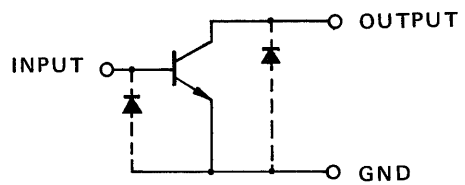
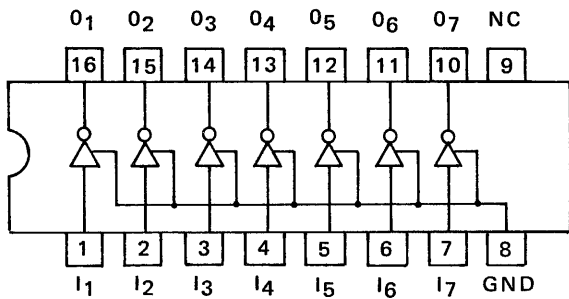
Logic Symbol



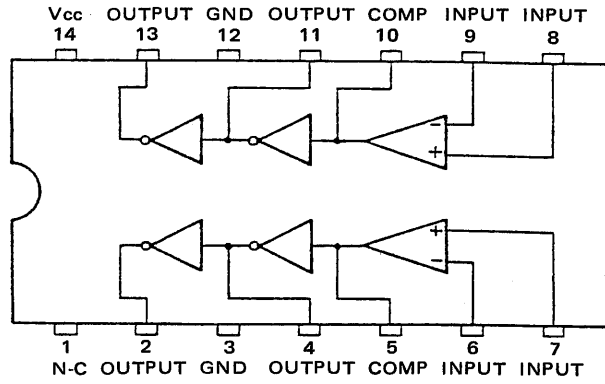
Circuit Schematic



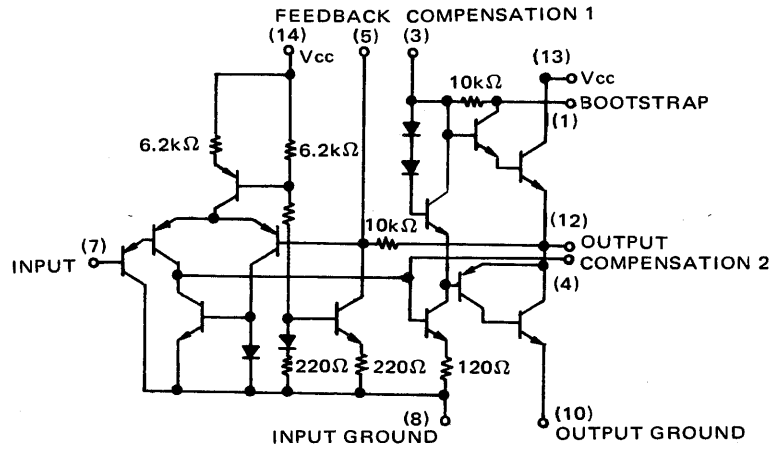
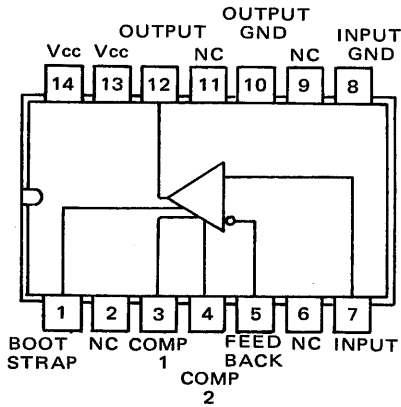
IC-103 TD62501P



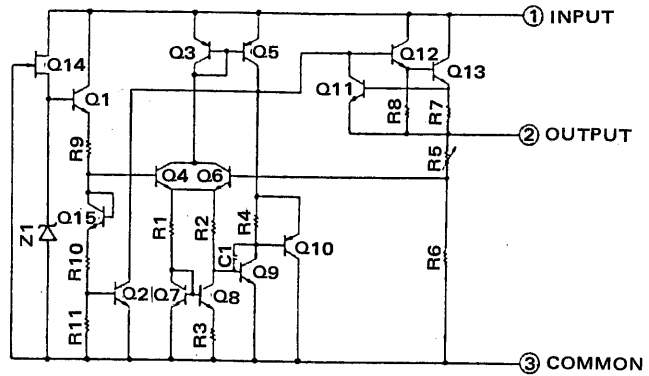
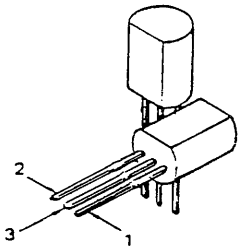
IC-104 TA7521P



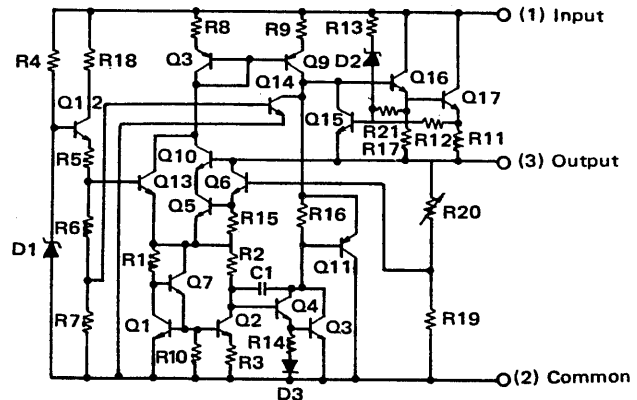
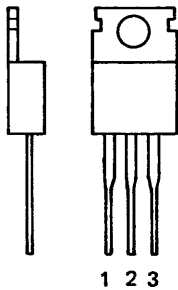
IC-105 SN76007N



IC-106,108,109 TA78L005

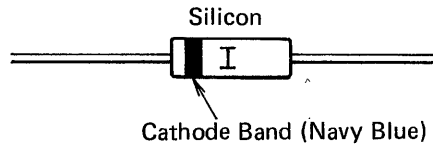


IC-107,110 HA17808P

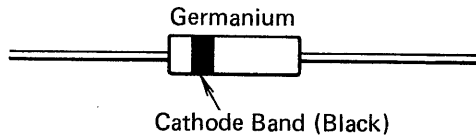


DIODE IDENTIFICATION AND LEAD POLARITY

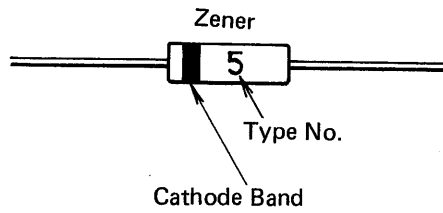
A) 1S2076A



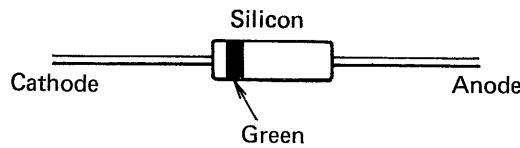
B) 1N60



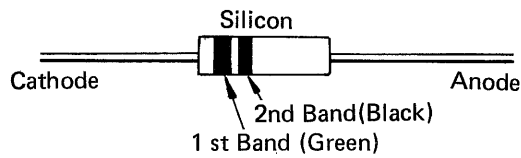
C) HZ5C-2, HZ9LC-1, HZ9LA-2
HZ12LC-3, HZ16LC-1



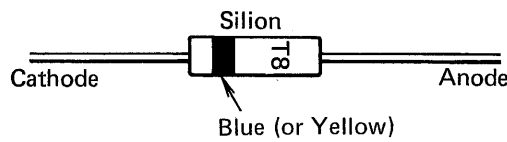
D) 1SS81



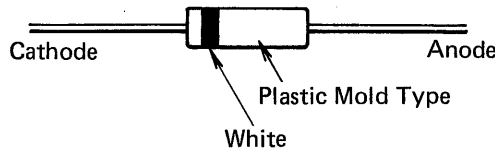
E) 1SS85



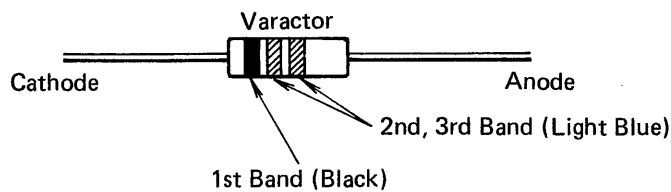
F) 1S1588 (or HV-80)



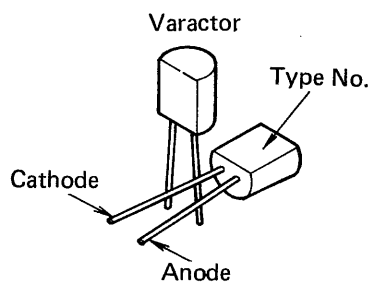
G) S5277B



H) 1SV89B



I) FC-54



SEMICONDUCTOR LEAD IDENTIFICATION

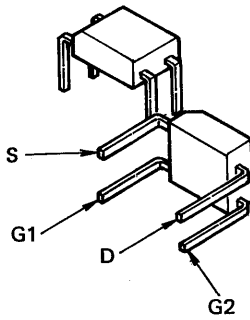
A) 3SK77 (GR)

B) 2SC1923 (O), 2SC1815 (O),(Y) (GR), 2SA1015 (O), 2SC2347, 2SC732 (BL), 2SC1384 (R),
2SC1959 (Y), 2SA950 (Y)

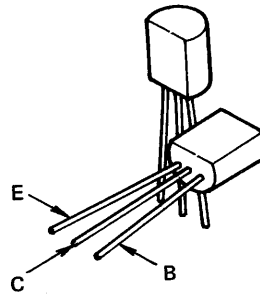
C) 2SC535 (B)

D) 2SC1117

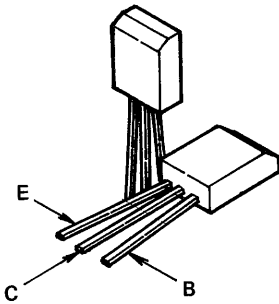
Ⓐ



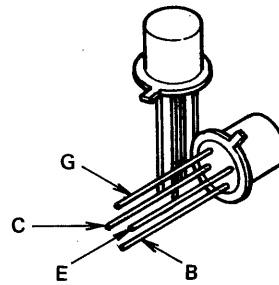
Ⓑ



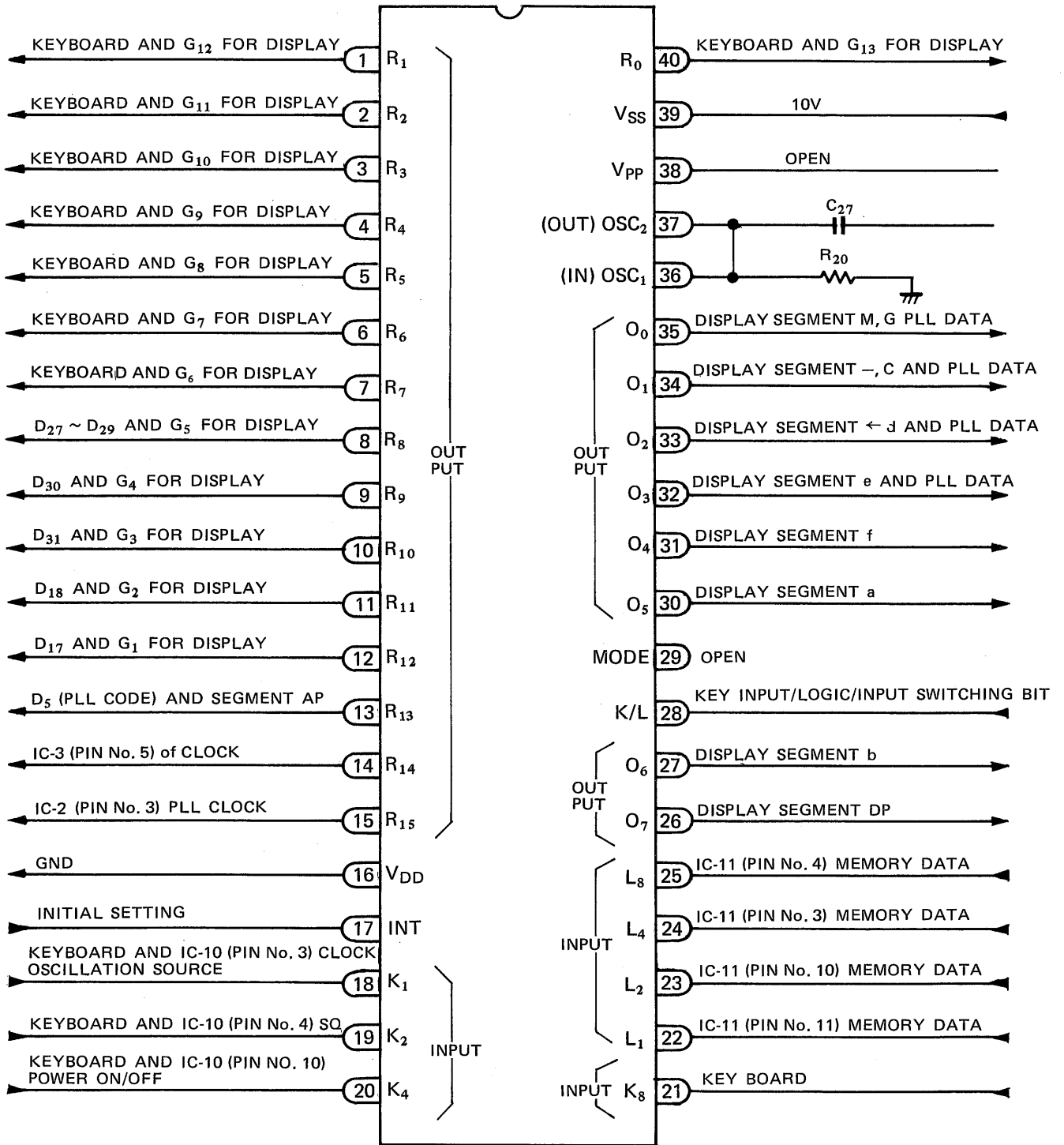
Ⓒ



Ⓓ



MICRO-COMPUTER (IC-1) PORT FORMAT



PARTS LIST

CAPACITORS				
Ref. No.	Value	Voltage (V)	Tolerance (%)	Material
C1	100 μ F	16	-10+50	Electrolytic
C2	10 μ F	16	-10+50	Electrolytic
C3	.01 μ F	50	\pm 10	Mylar
C4	4.7 μ F	35	-10+50	Electrolytic
C5	47 μ F	16	-10+50	Electrolytic
C6	.01 μ F	50	\pm 10	Mylar
C7	10 μ F	16	-10+50	Electrolytic
C8	47 μ F	16	-10+50	Electrolytic
C9	.1 μ F	50	\pm 10	Mylar
C10	1 μ F	50	\pm 30	Electrolytic (non-Polarity)
C11	.047 μ F	50	\pm 10	Mylar
C12	.001 μ F	50	\pm 10	Ceramic
C13	.1 μ F	50	\pm 10	Mylar
C14	.01 μ F	50	\pm 10	Mylar
C15	27pF	50	\pm 10	Ceramic
C16	.001 μ F	50	\pm 10	Ceramic
C17	.1 μ F	50	\pm 10	Mylar
C18	22pF	50	\pm 10	Ceramic
C19	56pF	50	\pm 50	Ceramic
C20	.01 μ F	50	\pm 10	Mylar
C21	.01 μ F	50	\pm 10	Mylar
C22	.01 μ F	50	\pm 10	Mylar
C23	1 μ F	35	\pm 20	Tantalum
C24	.01 μ F	50	\pm 10	Mylar
C25	1 μ F	50	-10+50	Electrolytic
C26	68pF	50	\pm 10	Ceramic
C27	100pF	50	\pm 10	Ceramic
C28	.1 μ F	50	\pm 10	Mylar
C29	100pF	50	\pm 10	Ceramic
C30	10pF	50	\pm 0.5pF	Ceramic
C101	2pF	50	\pm 0.5pF	Ceramic
C102	33pF	50	\pm 10	Ceramic
C103	.1 μ F	35	\pm 20	Tantalum
C104	10pF	50	\pm 0.5pF	Ceramic
C105	.001 μ F	50	\pm 10	Ceramic
C106	10 μ F	16	-10+50	Electrolytic
C107	.001 μ F	50	\pm 10	Ceramic
C108	33pF	50	\pm 10	Ceramic
C109	.001 μ F	50	\pm 10	Ceramic
C110	47pF	50	\pm 10	Ceramic
C111	.001 μ F	50	\pm 10	Ceramic
C112	.001 μ F	50	\pm 10	Ceramic
C113	47pF	50	\pm 10	Ceramic
C114	33pF	50	\pm 10	Ceramic
C115	33pF	50	\pm 10	Ceramic
C116	5pF	50	\pm 0.5pF	Ceramic
C117	5pF	50	\pm 0.5pF	Ceramic
C118	100pF	50	\pm 10	Ceramic
C119	.047 μ F	50	\pm 10	Mylar
C120	5pF	50	\pm 0.5pF	Ceramic
C121	.001 μ F	50	\pm 10	Ceramic
C122	.01 μ F	50	\pm 10	Mylar
C123	82pF	50	\pm 10	Ceramic
C124	4pF	50	\pm 10	Ceramic
C125	100pF	50	\pm 10	Ceramic
C126	.001 μ F	50	\pm 10	Ceramic
C127	10 μ F	16	-10+50	Electrolytic
C128	.001 μ F	50	\pm 10	Ceramic
C129	.001 μ F	50	\pm 10	Ceramic
C130	1 μ F	50	-10+50	Electrolytic

Ref. No.	Value	Voltage (V)	Tolerance (%)	Material
C131	.001 μ F	50	\pm 10	Ceramic
C132	.001 μ F	50	\pm 10	Ceramic
C133	82pF	50	\pm 10	Ceramic
C134	4pF	50	\pm 10	Ceramic
C135	47pF	50	\pm 10	Ceramic
C136	.001 μ F	50	\pm 10	Ceramic
C137	.001 μ F	50	\pm 10	Ceramic
C138	330pF	50	\pm 10	Ceramic
C139	47pF	50	\pm 10	Ceramic
C140	33pF	50	\pm 10	Ceramic
C141	5pF	50	\pm 0.5pF	Ceramic
C142	5pF	50	\pm 0.5pF	Ceramic
C143	.001 μ F	50	\pm 10	Ceramic
C144	.047 μ F	50	\pm 10	Mylar
C145	5pF	50	\pm 0.5pF	Ceramic
C146	10pF	50	\pm 0.5pF	Ceramic
C147	33pF	50	\pm 10	Ceramic
C148	33pF	50	\pm 10	Ceramic
C149	33pF	50	\pm 10	Ceramic
C150	22pF	50	\pm 10	Ceramic
C151	1pF	50	\pm 0.5pF	Ceramic
C152	.001 μ F	50	\pm 10	Ceramic
C153	100pF	50	\pm 10	Ceramic
C154	.047 μ F	50	\pm 10	Mylar
C155	100pF	50	\pm 10	Ceramic
C156	5pF	50	\pm 0.5pF	Ceramic
C157	5pF	50	\pm 0.5pF	Ceramic
C158	33pF	50	\pm 10	Ceramic
C159	220pF	50	\pm 10	Ceramic
C160	33pF	50	\pm 10	Ceramic
C161	5pF	50	\pm 0.5pF	Ceramic
C162	10pF	50	\pm 0.5pF	Ceramic
C163	10 μ F	16	-10+50	Electrolytic
C164	.22 μ F	35	\pm 20	Tantalum
C165	.01 μ F	50	\pm 10	Mylar
C166	.01 μ F	50	\pm 10	Mylar
C167	100pF	50	\pm 10	Ceramic
C168	.001 μ F	50	\pm 10	Ceramic
C169	10pF	50	\pm 0.5pF	Ceramic
C170	.001 μ F	50	\pm 10	Ceramic
C171	.01 μ F	50	\pm 10	Mylar
C172	5pF	50	\pm 0.5pF	Ceramic
C173	.001 μ F	50	\pm 10	Ceramic
C174	.01 μ F	50	\pm 10	Mylar
C175	.001 μ F	50	\pm 10	Ceramic
C176	.047 μ F	50	\pm 10	Mylar
C177	.01 μ F	50	\pm 10	Mylar
C178	.001 μ F	50	\pm 10	Ceramic
C179	56pF	50	\pm 10	Ceramic
C180	120pF	50	\pm 10	Ceramic
C181	.1 μ F	35	\pm 20	Tantalum
C182	.1 μ F	35	\pm 20	Tantalum
C183	.047 μ F	50	\pm 10	Mylar
C184	.1 μ F	35	\pm 20	Tantalum
C185	220 μ F	10	-10+50	Electrolytic
C186	22pF	50	\pm 10	Ceramic
C187	470pF	50	\pm 10	Ceramic
C188	470pF	50	\pm 10	Ceramic
C189	.01 μ F	50	\pm 10	Mylar
C190	.22 μ F	35	\pm 20	Tantalum
C191	.01 μ F	50	\pm 10	Mylar
C192	.01 μ F	50	\pm 10	Mylar
C193	.01 μ F	50	\pm 10	Mylar

Ref. No.	Value	Voltage (V)	Tolerance (%)	Material
C194	1 μ F	50	-10+50	Electrolytic
C195	.001 μ F	50	\pm 10	Mylar
C196				Not used
C197	22pF	50	\pm 10	Ceramic
C198	.001 μ F	50	\pm 10	Mylar
C199	1 μ F	50	-10+50	Electrolytic
C200	.047 μ F	50	\pm 10	Mylar
C201	470pF	50	\pm 10	Ceramic
C202	.047 μ F	50	\pm 10	Mylar
C203	.047 μ F	50	\pm 10	Mylar
C204	.01 μ F	50	\pm 10	Mylar
C205	10 μ F	16	-10+50	Electrolytic
C206	.047 μ F	50	\pm 10	Mylar
C207	47 μ F	16	-10+50	Electrolytic
C208	.01 μ F	50	\pm 10	Mylar
C209	1 μ F	50	-10+50	Electrolytic
C210	.01 μ F	50	\pm 10	Mylar
C211	.047 μ F	50	\pm 10	Mylar
C212	.0047 μ F	50	\pm 10	Mylar
C213	1 μ F	50	-10+50	Electrolytic
C214	1 μ F	50	-10+50	Electrolytic
C215	10 μ F	16	-10+50	Electrolytic
C216	1 μ F	50	-10+50	Electrolytic
C217	10 μ F	16	-10+50	Electrolytic
C218	.1 μ F	35	\pm 20	Tantalum
C219	.001 μ F	50	\pm 10	Mylar
C220	.0022 μ F	50	\pm 10	Mylar
C221	.0022 μ F	50	\pm 10	Mylar
C222	10 μ F	16	-10+50	Electrolytic
C223	.01 μ F	50	\pm 10	Mylar
C224	.0022 μ F	50	\pm 10	Mylar
C225	.01 μ F	50	\pm 10	Mylar
C226	.0047 μ F	50	\pm 10	Mylar
C227	.01 μ F	50	\pm 10	Mylar
C228	.047 μ F	50	\pm 10	Mylar
C229	.01 μ F	50	\pm 10	Mylar
C230	470 μ F	16	-10+50	Electrolytic
C231	100 μ F	16	-10+50	Electrolytic
C232	47 μ F	16	-10+50	Electrolytic
C233	.001 μ F	50	\pm 10	Ceramic
C234	47 μ F	16	-10+50	Electrolytic
C235	100pF	50	\pm 10	Ceramic
C236	47 μ F	16	-10+50	Electrolytic
C237	3.3 μ F	16	\pm 20	Tantalum
C238	100 μ F	16	-10+50	Electrolytic
C239	10 μ F	16	-10+50	Electrolytic
C240	.0068 μ F	50	\pm 10	Mylar
C241	.1 μ F	35	\pm 20	Tantalum
C242	.1 μ F	35	\pm 20	Tantalum
C243	.33 μ F	35	\pm 20	Tantalum
C244	.1 μ F	35	\pm 20	Tantalum
C245	.33 μ F	35	\pm 20	Tantalum
C246	.1 μ F	35	\pm 20	Tantalum
C247	47 μ F	16	-10+50	Electrolytic
C248	2200 μ F	25	-10+30	Electrolytic
C249	.01 μ F	50	-20+80	Ceramic
C250	.01 μ F	50	-20+80	Ceramic
C251	47pF	50	\pm 10	Ceramic
C252	100pF	50	\pm 10	Ceramic
C253	100pF	50	\pm 10	Ceramic
C254	100 μ F	10	-10+50	Electrolytic
C255	1 μ F	50	-10+50	Electrolytic

Ref. No.	Value	Voltage (V)	Tolerance (%)	Material
C256	33pF	50	\pm 10	Ceramic
C257	.001 μ F	50	\pm 10	Ceramic
C258	.001 μ F	50	\pm 10	Ceramic
C259	470 μ F	10	-20+50	Electrolytic
C260	4.7 μ F	35	-10+50	Electrolytic
C261	10pF	50	\pm 0.5pF	Ceramic

RESISTORS					
NOTE: Unless otherwise specified all resistors are carbon film, wattage 1/4W, tolerance \pm 5%					
Ref. No.	Value		Wattage (W)	Tolerance (%)	Material
R1	2.2K Ω				
R2	27 Ω				
R3	10K Ω				
R4	470 Ω				
R5	2.2K Ω				
R6	100 Ω				
R7	470 Ω				
R8	2.2K Ω				
R9	3.3k Ω				
R10	1k Ω				
R11	1k Ω				
R12	100 Ω				
R13	1M Ω				
R14	33k Ω				
R15	1k Ω				
R16	5.6k Ω				
R17	5.6k Ω				
R18	100k Ω				
R19	2.2k Ω				
R20	47k Ω				
R21	33k Ω				
R22	33k Ω				
R23	3.3k Ω				
R24	47k Ω				
R25	100k Ω				
R26	33k Ω				
R27	470k Ω				
R28	47k Ω				
R29	47k Ω				
R30	33k Ω				
R31	220k Ω				
R32	270k Ω				
R33	220k Ω				
R34	220k Ω				
R35	220k Ω				
R36	220k Ω				
R37	220k Ω				
R38	220k Ω				
R39	220k Ω				
R40	220k Ω				
R41	220k Ω				
R42	220k Ω				
R43	220k Ω				
R44	220k Ω				
R45	220k Ω				

Ref. No.	Value		Wattage (W)	Tolerance (%)	Material
R46	220k Ω				
R47	270k Ω				
R48	270k Ω				
R49	10k Ω				
R50	10k Ω				
R51	10k Ω				
R52	10k Ω				
R53	2.2k Ω				
R54	2.2k Ω				
R55	2.2k Ω				
R56	2.2k Ω				
R57	33k Ω				
R58	33k Ω				
R59	33k Ω				
R60	33k Ω				
R61	33k Ω				
R62	22k Ω				
R63	10k Ω				
R101	10k Ω				
R102	47k Ω				
R103	4.7k Ω				
R104	47k Ω				
R105	10k Ω				
R106	47k Ω				
R107	2.2k Ω				
R108	100 Ω				
R109	47k Ω				
R110	100 Ω				
R111	47k Ω				
R112	47k Ω				
R113	2.2k Ω				
R114	4.7k Ω				
R115	4.7k Ω				
R116	10k Ω				
R117	1k Ω				
R118	100 Ω				
R119	4.7k Ω				
R120	10k Ω				
R121	47k Ω				
R122	47k Ω				
R123	47k Ω				
R124	47k Ω				
R125	2.2k Ω				
R126	100k Ω				
R127	1k Ω				
R128	22 Ω				
R129	33k Ω				
R130	100k Ω				
R131	100 Ω				
R132	4.7k Ω				
R133	47k Ω				
R134	47k Ω				
R135	47k Ω				
R136	2.2k Ω				
R137	4.7k Ω				
R138	1k Ω				
R139	10k Ω				
R140	100 Ω				
R141	22k Ω				
R142	47k Ω				
R143	470 Ω				

Ref. No.	Value		Wattage (W)	Tolerance (%)	Material
R144	4.7k Ω				
R145	10k Ω				
R146	47k Ω				
R147	100 Ω				
R148	47k Ω				
R149	3.3k Ω				
R150	33k Ω				
R151	1k Ω				
R152	22k Ω				
R153	4.7k Ω				
R154	10k Ω				
R155	1k Ω				
R156	1k Ω				
R157	22 Ω				
R158	10k Ω				
R159	100k Ω				
R160	1k Ω				
R161	2.2k Ω				
R162	1k Ω				
R163	47k Ω				
R164	1.5k Ω				
R165	47 Ω				
R166	10k Ω				
R167	33k Ω				
R168	100 Ω				
R169	470 Ω				
R170	100 Ω				
R171	10k Ω				
R172	22k Ω				
R173	10k Ω				
R174	2.2k Ω				
R175	1k Ω				
R176	10k Ω				
R177	22k Ω				
R178	10k Ω				
R179	22k Ω				
R180	10k Ω				
R181	22k Ω				
R182	100 Ω				
R183	4.7k Ω				
R184	220k Ω				
R185	1k Ω				
R186	2.2k Ω				
R187	3.3k Ω				
R188	470 Ω				
R189	100k Ω				
R190	3.3k Ω				
R191	3.3k Ω				
R192	47k Ω				
R193	22k Ω				
R194	1M Ω				
R195	4.7k Ω				
R196	33k Ω				
R197	47k Ω				
R198	68k Ω				
R199	100k Ω				
R200	22k Ω				
R201	100k Ω				
R202	1M Ω				
R203	2.2k Ω				
R204	470 Ω				

Ref. No.	Value		Wattage (W)	Tolerance (%)	Material
R205	22k Ω				
R206	100k Ω				
R207	470 Ω				
R208	4.7k Ω				
R209	470 Ω				
R210	22k Ω				
R211	100k Ω				
R212	470 Ω				
R213	100 Ω				
R214	100 Ω				
R215	10k Ω				
R216	4.7k Ω				
R217	10k Ω				
R218	47k Ω				
R219	47k Ω				
R220	1k Ω				
R221	10k Ω				
R222	470k Ω				
R223	10k Ω				
R224	10k Ω				
R225	22k Ω				
R226	22k Ω				
R227	22k Ω				
R228	2.2k Ω				
R229	10k Ω				
R230	4.7k Ω				
R231	1k Ω				
R232	10k Ω				
R233	10k Ω				
R234	22k Ω				
R235	22k Ω				
R236	10k Ω				
R237	100k Ω				
R238	470k Ω				
R239	3.3k Ω				
R240	2.2k Ω				
R241	5.6k Ω				
R242	3.3k Ω				
R243	2.2k Ω				
R244	3.3k Ω				
R245	2.2M Ω				
R246	10k Ω				
R247	10k Ω				
R248	470k Ω				
R249	1k Ω				
R250	1M Ω				
R251	4.7k Ω				
R252	10k Ω				
R253	1k Ω				
R254	1M Ω				
R255	2.2k Ω				
R256	22k Ω				
R257	1.5M Ω				
R258	120k Ω				
R259	470 Ω				
R260	100 Ω				
R261	47 Ω				
R262	100k Ω				
R263	10k Ω				
R264	39 Ω				
R265	2.2k Ω				
R266	4.7k Ω				

Ref. No.	Value		Wattage (W)	Tolerance (%)	Material
R267	470 Ω				
R268	470 Ω				
R269	330 Ω				
R270	10k Ω				
R271	Not used				
R272	470k Ω				
R273	47k Ω				
R274	4.7k Ω				
R275	100k Ω				
R276	2.2 Ω		1	5	Metal film
R277	1k Ω				
R278	4.7k Ω				
R279	1k Ω				
R280	47k Ω				
R281	100k Ω				
R282	100k Ω				
R283	1k Ω				
R284	10 Ω				
R285	10 Ω				

TRANSISTORS			
Ref. No.	Type No.		Substitute Type No.
Q1	2SC1815 (GR)		
Q2~4	2SC732 (BL)		
Q5,6	2SC1815 (GR)		
Q7	2SC1384 (R)		
Q101,102	3SK77 (GR)		
Q103	2SC1923 (O)		
Q104	3SK77 (GR)		
Q105	2SC1815 (GR)		
Q106	3SK77 (GR)		
Q107	2SC1923 (O)		
Q108,109	2SC1117		
Q110	2SC1923 (O)		
Q111	2SC2347		
Q112	2SC535 (B)		
Q113~117	2SA1015		
Q118	2SC1815 (Y)		
Q119	2SC1815 (O)		
Q120,121	2SC1815 (Y)		
Q122~130	2SC1815 (GR)		
Q131	2SC1959 (Y)		
Q132,133	2SC1815 (GR)		
Q134	2SC1384 (R)		
Q135	2SC1815 (GR)		
Q136	2SA950 (Y) or 2SA966 (Y)		
Q137	2SC1815 (GR)		

COILS & TRANSFORMERS			
Ref. No.	Description		MFR's Part No.
T1	DC-DC Converter Transformer		GRE-022
T101	RF Coil		GR-N553
T102	RF Coil		GR-N553
T103	OSC Coil		GR-N544
T104	I.F.T. (10.7 MHz)		119LC470033N3 or (GR-A470033)
T105	Quad. (455 kHz)		7MC-452503N4 or (GR-P452503)
T106	I.F.T. (455 kHz)		7MC-352203N9 or (GR-P352203)
T107	I.F.T. (455 kHz)		GR-P4202
T108	DC-DC Converter Transformer		GRE-023
T109	Power Transformer		K7087
L101	Choke Coil		4LNC-092
L102	Choke Coil		4LNC-0122
L103	RF Coil		6.5SNO-097
L104	RF Coil		6.5SNO-086
L105	RF Coil		6.5SNO-097
L106	RF Coil		6.5SNO-086
L107	OSC Coil		6.5SNO-097
L108~110	UHF RF Coil		GR-M-545
L111	OSC Coil		6.5SNO-097
L112	UHF RF Coil		GR-M-545
L113	Choke Coil		LF4-100K
L114	Choke Coil		FL-7H222K
L115	Choke Coil		SN-8D-500

DIODES			
Ref. No.	Description		MFR's Part No.
D1	Silicon		1SS81
D2	Silicon		1S2076A
D3,4	Silicon		1S1588 or HV-80
D5~9	Silicon		1S2076A
D10~16	Silicon		1S1588 or HV-80
D17~31	Silicon		1S2076A
D32	Zener		HZ12LC-3
D33	Zener		HZ16L-1
D34~37	Silicon		1S1588 or HV-80
*D101~104	Varactor		FC-54
D105	Silicon		1SS85
D106	Varactor		FC-54
D107	Silicon		1SS85
D108,109	Varactor		FC-54
D110~114	Varactor		1SV89B
D115,116	Silicon		1S1588 or HV-80
D117	Germanium		1N60
D118	Silicon		1S1588 or HV-80
D119~123	Germanium		1N60
D124	Zener		HZ9LC-1
D125,126	Zener		HZ5C-2
D127	Silicon		S5277B
D128	Silicon		1S1588 or HV-80
D129	Rectifier		1B4B1
D130	Silicon		S5277B
D131	Silicon		1S2076A
D132,133	Silicon		1S1588 or HV-80
D134,135	Silicon		SS277B
D136	Silicon		1S1588 or HV-80
D137	Silicon		1S1588 or HV-80
D138	Zener		HZ9LA-2

* D103 Not used

INTEGRATED CIRCUITS			
Ref. No.	Type No.		Substitute Type No.
IC1	GRE-7832 or GRE-7832A		
IC2	TC4010BP		
IC3	TC4042BP		
IC4	TMS1024NLL		
IC5,6	TC5501P-1		
IC7	SN7407N		
IC8	TC4518BP		
IC9	TC4017BP		
IC10,11	TC4081BP		
IC12	GRE-7803A		
IC13	MC12013P		
IC14	SN74145N or DM74145N		
IC101	MC3357P or MSP5071		
IC102	TC4016BP		
IC103	TD62501P		
IC104	TA7521P		
IC105	SN76007N		
IC106	TA78L005		
IC107	HA17808P		
IC108,109	TA78L005		
IC110	HA17808P		

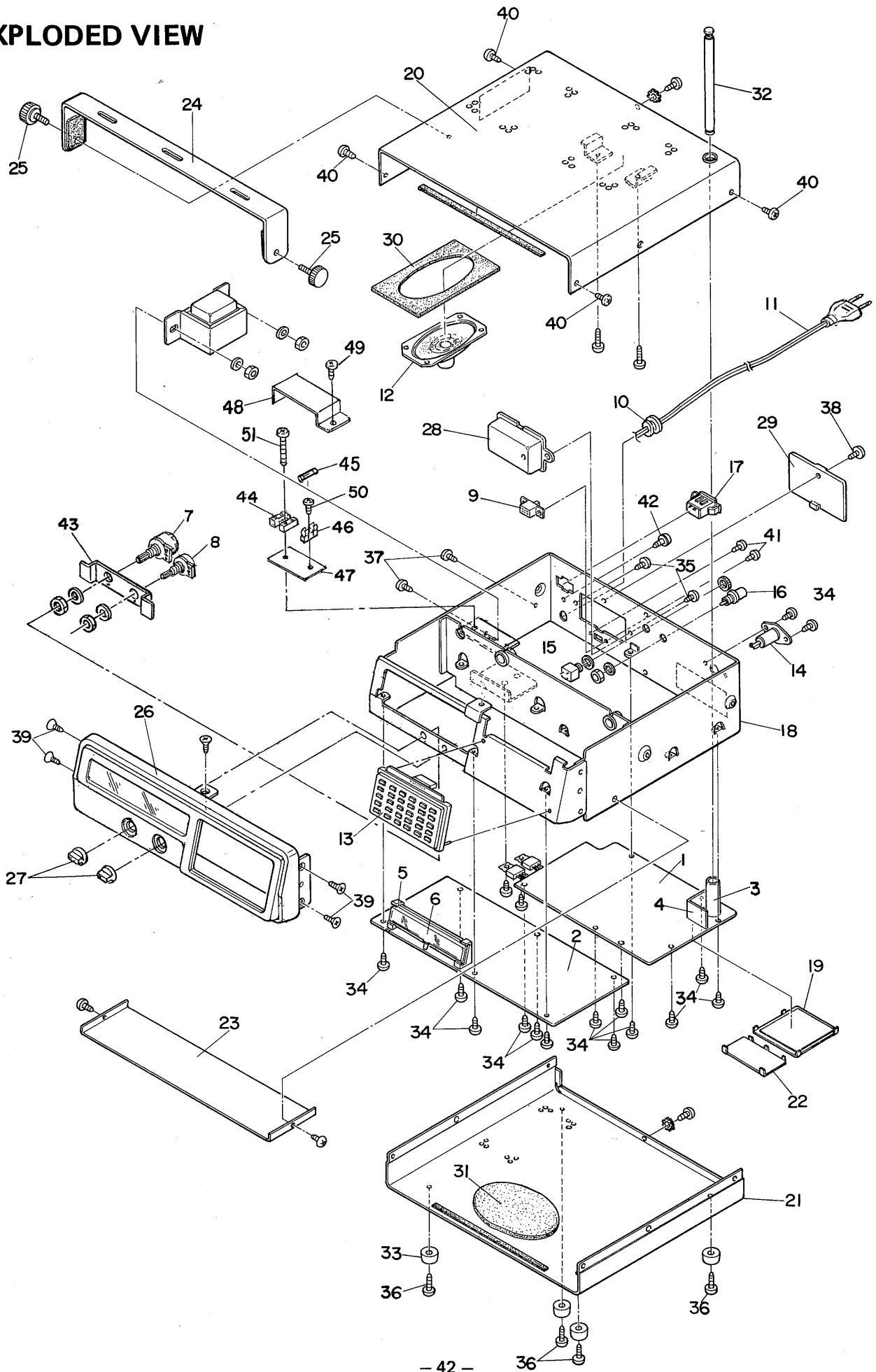
CRYSTALS & FILTERS			
Ref. No.	Description		MFR's Part No.
X-1	6.4 MHz Crystal		6.4 MHz
X-101	10.245 MHz Crystal		10.245 MHz
XF-101	Crystal Filter		10M15A
CF-101	Ceramic Filter		LF-H18S
B.T.F.	Trap Filter		20LTR-141

VARIABLE CAPACITORS			
Ref. No.	Description		MFR's Part No.
TC1	Trimmer (20P)		ECV-1ZW20X53
TC101-107	Trimmer (10P)		ECV-1ZW10X53

MISCELLANEOUS			
Ref. No.	Description		MFR's Part No.
RA-1	Resistor Array		EXB-P811-104K
RA-2	Resistor Array		EXB-P811-104K
RA-3	Resistor Array		EXB-P812-274K
	Short Jumper		ERD-14TOA
TP-1 ~ 3	Test Pin		CHP-01
TP-101 ~ 106	Test Pin		CHP-01
	Linear P.C. Board		GE-80D-0964
1	Linear P.C. Board Ass'y		
	Logic P.C. Board		GE-79B-0501
2	Logic P.C. Board Ass'y		
3	Antenna Guide		GE-22D-6428
4	RF Shield Plate		GE-79D-0110
5	Display Holder		GE-80D-0961
6	Fluorescent Display Devices		FG-137D6
7	Volume Control W/SW (VR-1)		VM11A-50KA-15A
8	Squelch Control (VR-2)		VM10A-50KB-15A
9	DC Clock/OUT Switch		SSF12-07 or SSF-22-07
	Battery Snap		1 type
10	Line Cord Strain Relief		SR-4N-4
11	AC Cord		HAR CLASS-2 (2m)
	Nylon Bushing		OCB-500
	Snap Bushing		SB-437-5
12	Speaker		EP-100715ST
13	Key Board W/Connector		KEA7A015
14	Antenna Jack		JA-C-020
15	EXT. SPKR. Jack		JA-C-011
16	Tape Out Jack		LR205-2
17	DC Jack		GE-22D-6940
CN-1	P.C. Board Connector		5048-13A
CN-2	P.C. Board Connector		5048-09A
18	Chassis		GE-80A-1182
19	RF Shield Plate (Bottom)		GE-80D-1031
	RF Shield Plate Fiber		GE-80D-1032
20	Cabinet (Top)		GE-80D-1136
21	Cabinet (Bottom)		GE-21B-5724
22	VCO Shield Plate		GE-79D-0348
	VCO Shield Plate Fiber		GE-79D-0349
23	Logic Shield Plate		GE-80C-1139
24	Car Mounting Bracket		GE-21C-5725
	Car Mounting Bracket Spacer		GE-19D-4815
25	Car Mounting Bracket Screw		GE-23D-7587
26	Bezel Ass'y		
	Front Escucheon		GE-80A-1185
	Display Window		GE-79D-0624
27	Volume & Squelch Knob		GE-20D-5514
28	Battery Compartment		GE-21D-5728
29	Battery Compartment Cover		GE-79D-0113
	Battery Cushion		GE-21D-5795

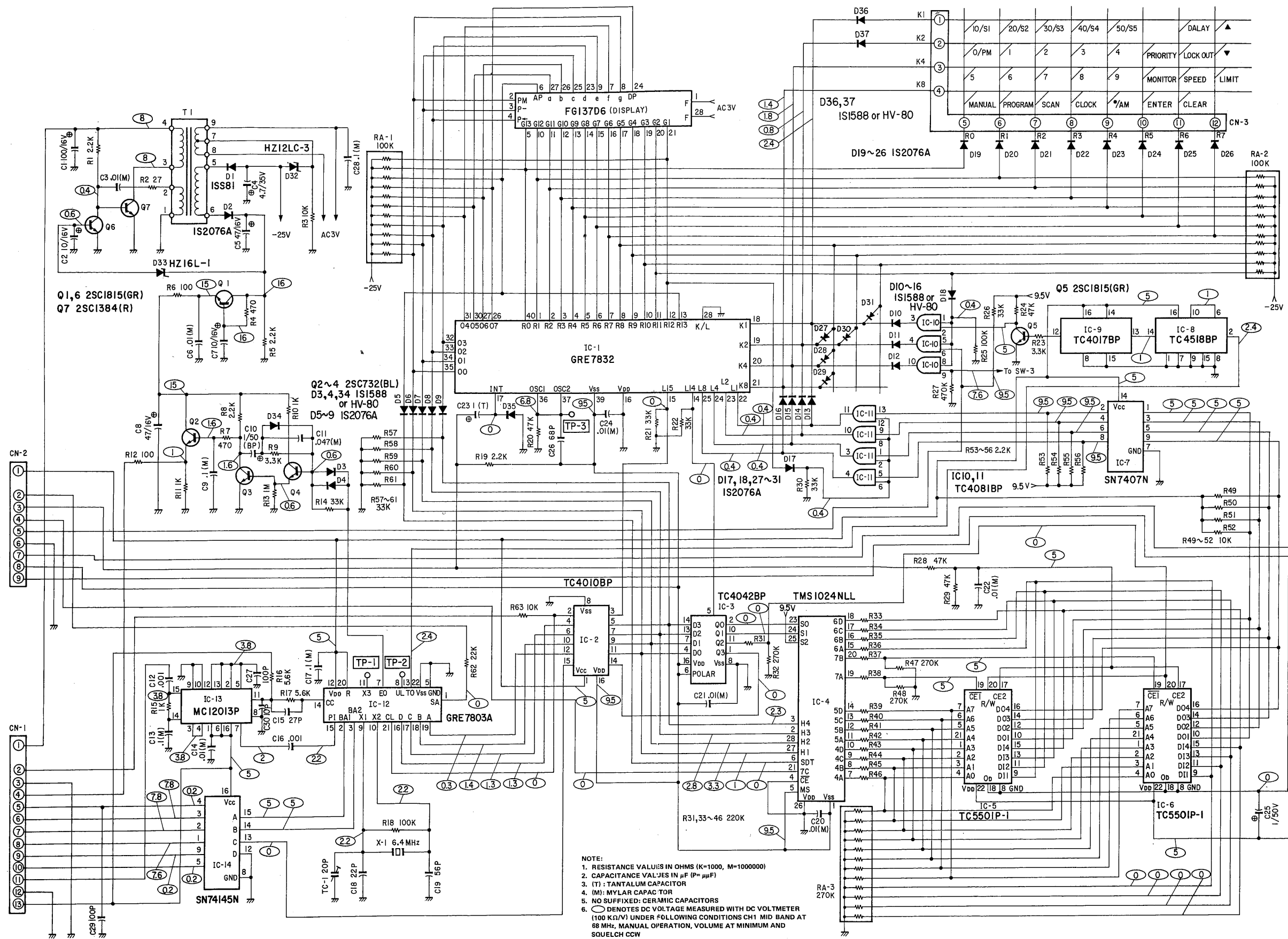
Ref. No.	Description	MFR's Part No.
30	Speaker Pad	GE-21D-5982
31	Cabinet Pad	GE-21D-5981
	Caution Label	GE-19D-4860
	Model Label	GE-80D-1203
	DC Cable Label	GE-80D-1200
	Ground Wire Label	GE-80D-1201
	DC Cable Fuse Caution Label	GE-79D-0062
	DC Cable Ass'y	GE-80D-1193
32	Telescopic Antenna	F-2007-113
33	Foot	No. 7101
	1A Fuse UL Listed	
CN-1'	Connector Ass'y (Linear P.C. B → Logic P.C.B.)	5047-13
CN-2'	Connector Ass'y (Linear P.C.B. → Logic P.C.B.)	5047-09
CN-3'	Connector Ass'y (Logic P.C.B. → Key Board)	5047-12
34	Round-Head Self Tapping Screws	3 x 6 mm
35	Round-Head Self Tapping Screws	3 x 8 mm
36	Pan-Head Screws	3 x 10 mm
	Pan-Head Screws	3 x 12 mm
37	Pan-Head Screws	4 x 8 mm
38	Screw for Battery Cover	GE-80D-0968 (3 x 8)
39	Flat-Head Screws	3 x 6 mm
40	Binding-Head Screws (Black)	3 x 8 mm
41	Pan-Head Screws	2 x 5 mm
42	Pan-Head Screw with Spring Lock Washer	4 x 6 mm
	Internal Star Lock Washer	3φ
	Internal Star Lock Washer	4φ
	Internal Star Lock Washer	6φ
43	Mounting Bracket for Variable Resistor	GE-80D-1183
44	Terminal Block	323-HDS-12P
45	Fuse (250V/1A)	
46	Fuse Holder	HN 1150 #2
47	AC Terminal Fiber	GE-23D-7097
48	Terminal Block Cover	GE-80D-1402
49	Pan-Head Screw	2.6 x 6 mm
50	Pan-Head Screw	2.6 x 8 mm
51	Binding-Head Screw	3 x 15 mm

EXPLODED VIEW



Notes

SCHEMATIC DIAGRAM (LOGIC SECTION)



NOTE:
 1. RESISTANCE VALUES IN OHMS (K=1000, M=1000000)
 2. CAPACITANCE VALUES IN μ F (P= μ F)
 3. (T) : TANTALUM CAPACITOR
 4. (M) : MYLAR CAPACITOR
 5. NO SUFFIXES: CERAMIC CAPACITORS
 6. \bigcirc DENOTES DC VOLTAGE MEASURED WITH DC VOLTMETER (100 K Ω /V) UNDER FOLLOWING CONDITIONS CH1 MID BAND AT 88 MHz, MANUAL OPERATION, VOLUME AT MINIMUM AND SQUELCH CCW
 7. \bigcirc DENOTES VOLTAGES FOR AIRCRAFT BAND OPERATION
 8. \bigcirc DENOTES VOLTAGES FOR HIGH BAND OPERATION
 9. \bigcirc DENOTES VOLTAGES FOR UHF BAND OPERATION
 10. RATING OR TYPE NUMBER OF COMPONENT PARTS ARE SUBJECT TO CHANGE FOR IMPROVEMENT WITHOUT NOTICE

SCHEMATIC DIAGRAM (LINEAR SECTION)

