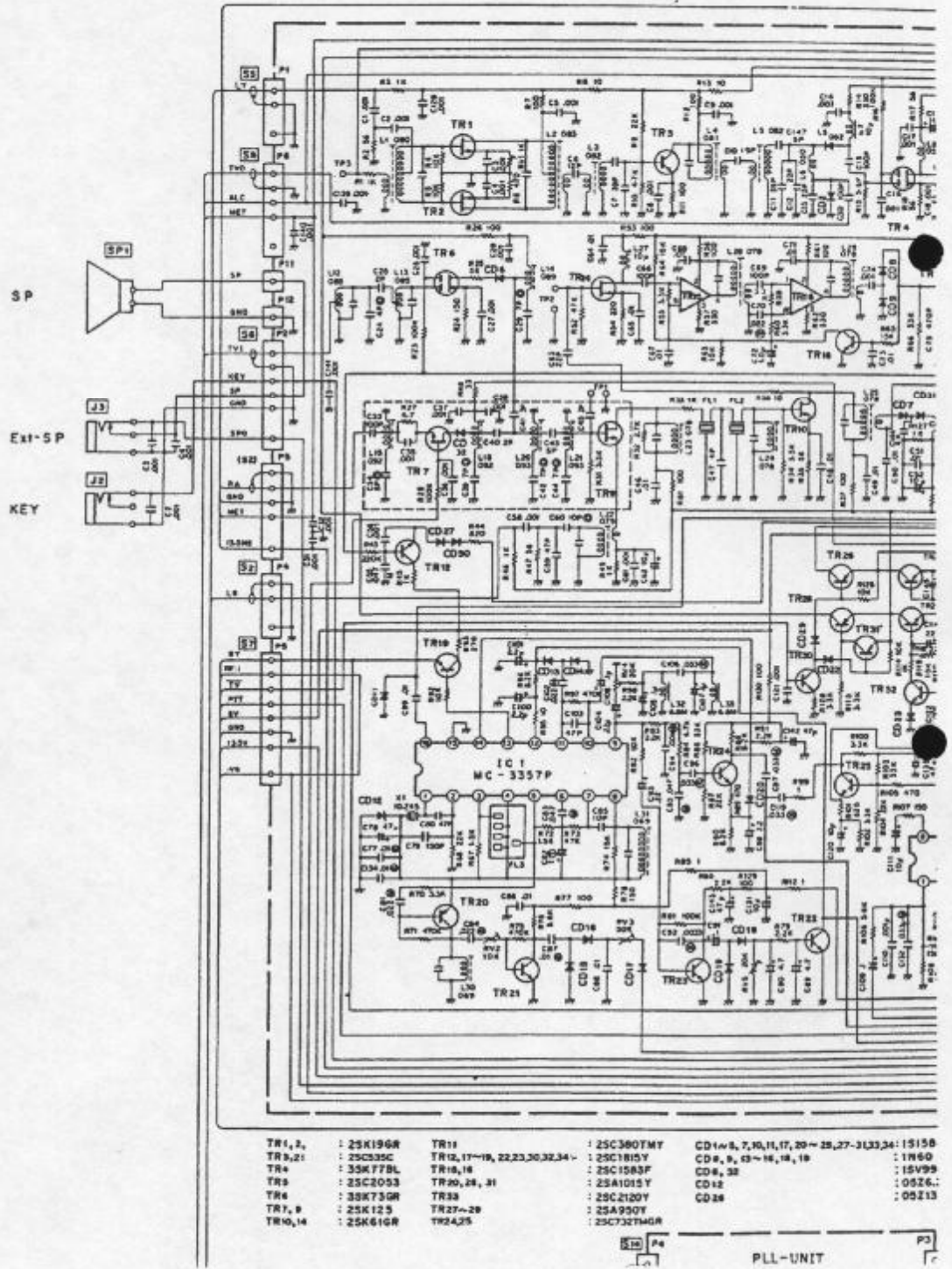
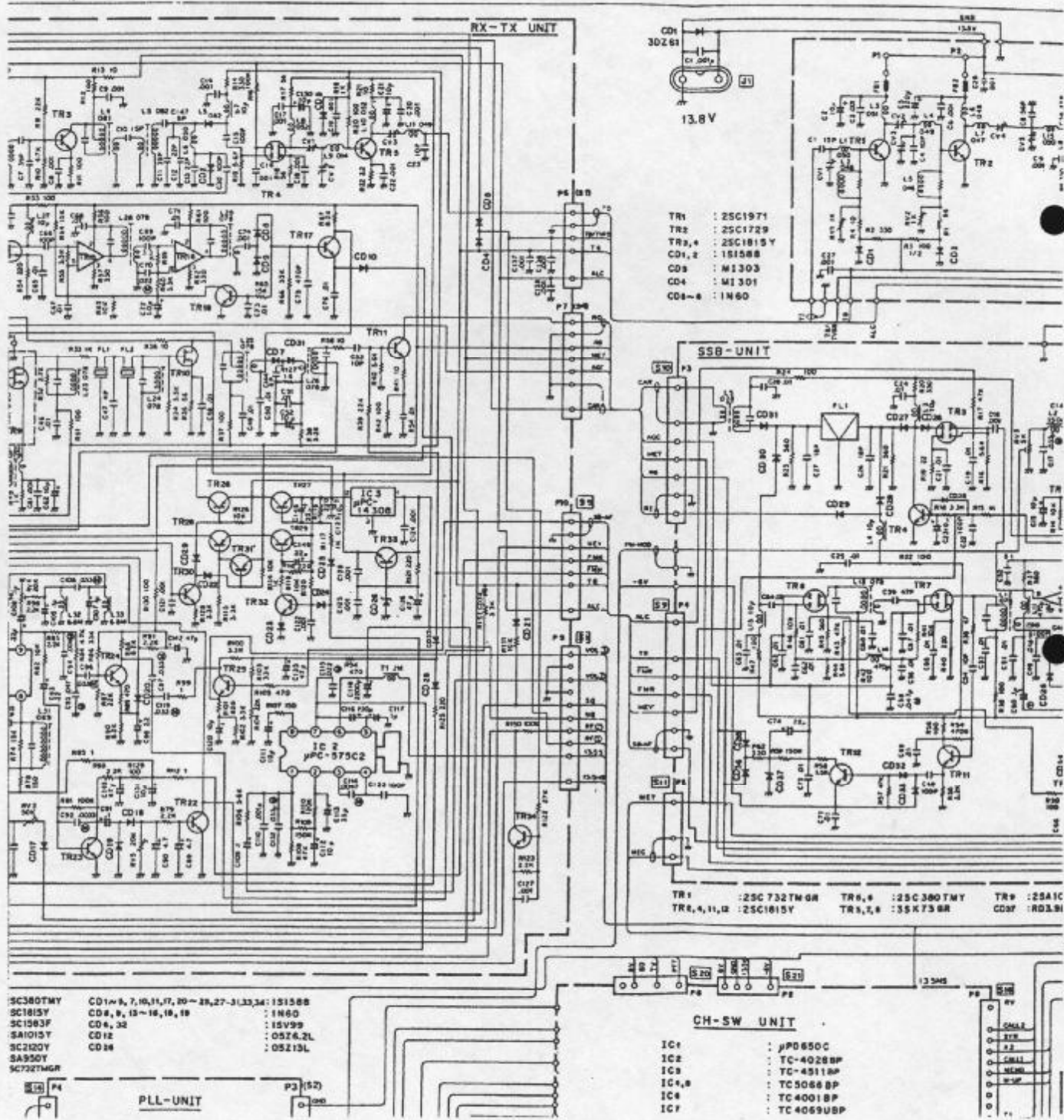


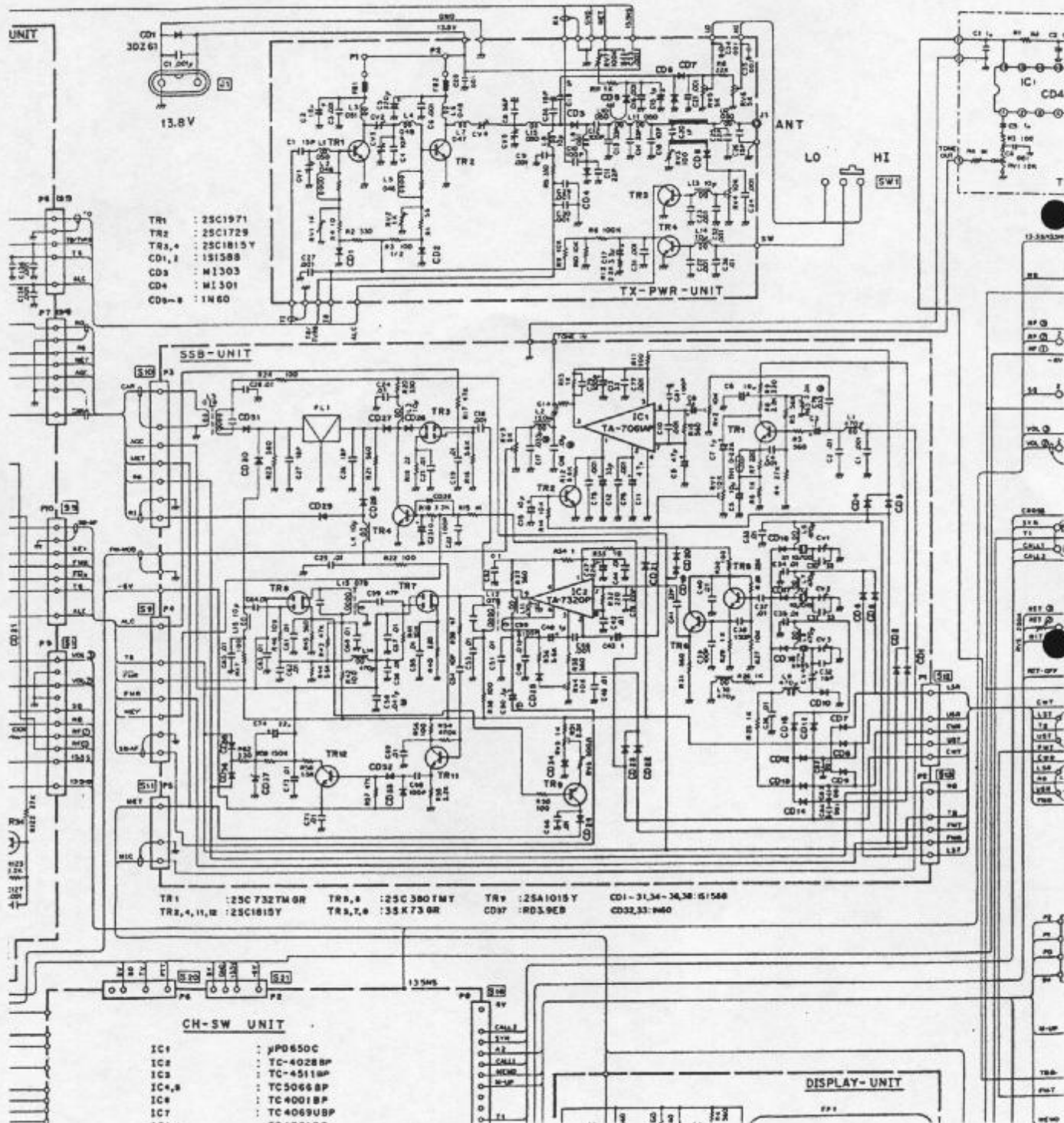
# MULTI-750A/E SCHMATIC DIAGRAM / ASSEMBLY UNIT



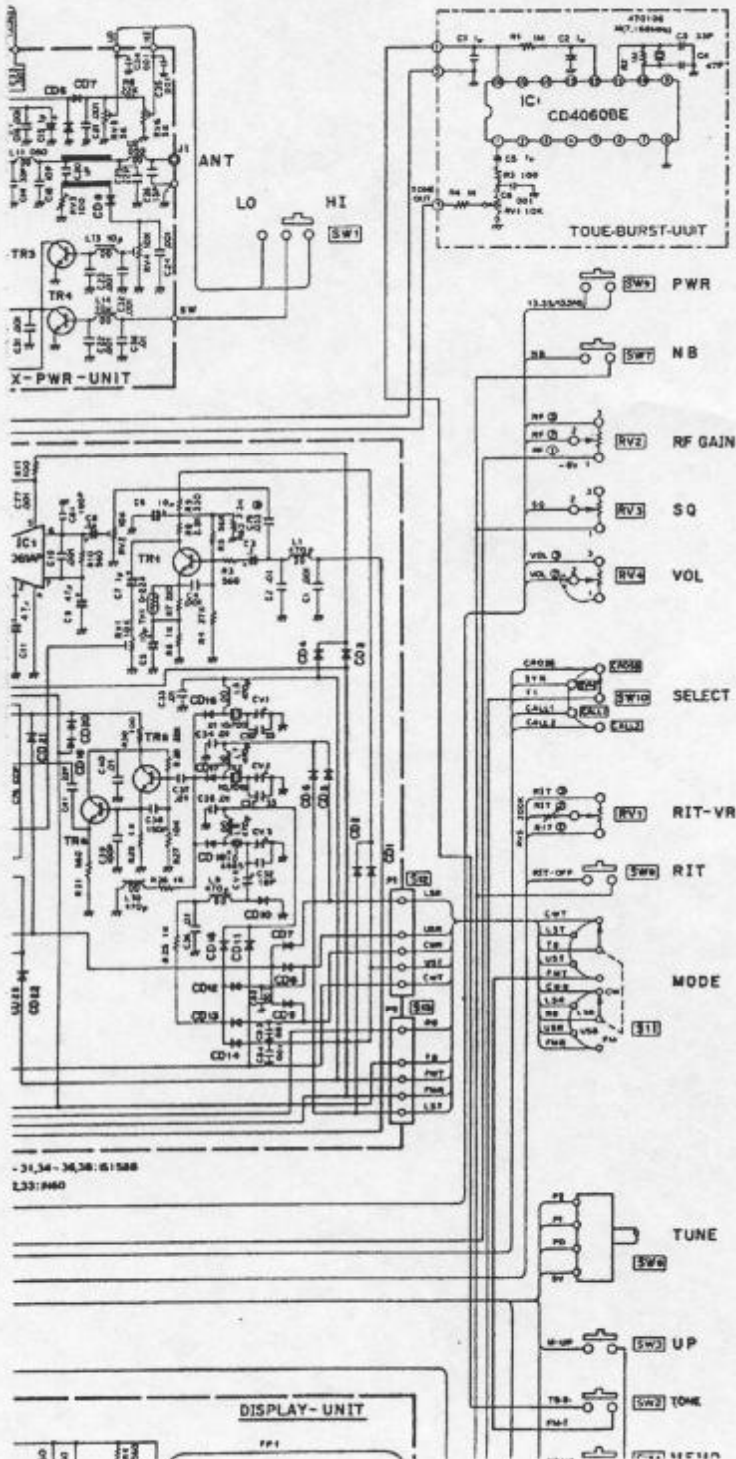
TR1, 2,	: 2SK196R	TR11	: 2SC380TM	CD1, 4, 7, 10, 11, 17, 20 ~ 28, 27-31, 33, 34:	1S15B
TR3, 21	: 2SC335C	TR12, 17 ~ 19, 22, 23, 30, 32, 34	: 2SC1815Y	CD 5, 6, 13 ~ 16, 18, 19	: 1N60
TR4	: 3SK77BL	TR15, 16	: 2SC1583F	CD 8, 38	: 15V99
TR5	: 2SC2053	TR20, 24, 31	: 2SA1015Y	CD 12	: 0526.
TR6	: 3SK73GR	TR33	: 2SC2120Y	CD 26	: 05213
TR7, 8	: 2SK125	TR27 ~ 29	: 2SA950Y		
TR9, 14	: 2SK61GR	TR24, 25	: 2SC732MGR		

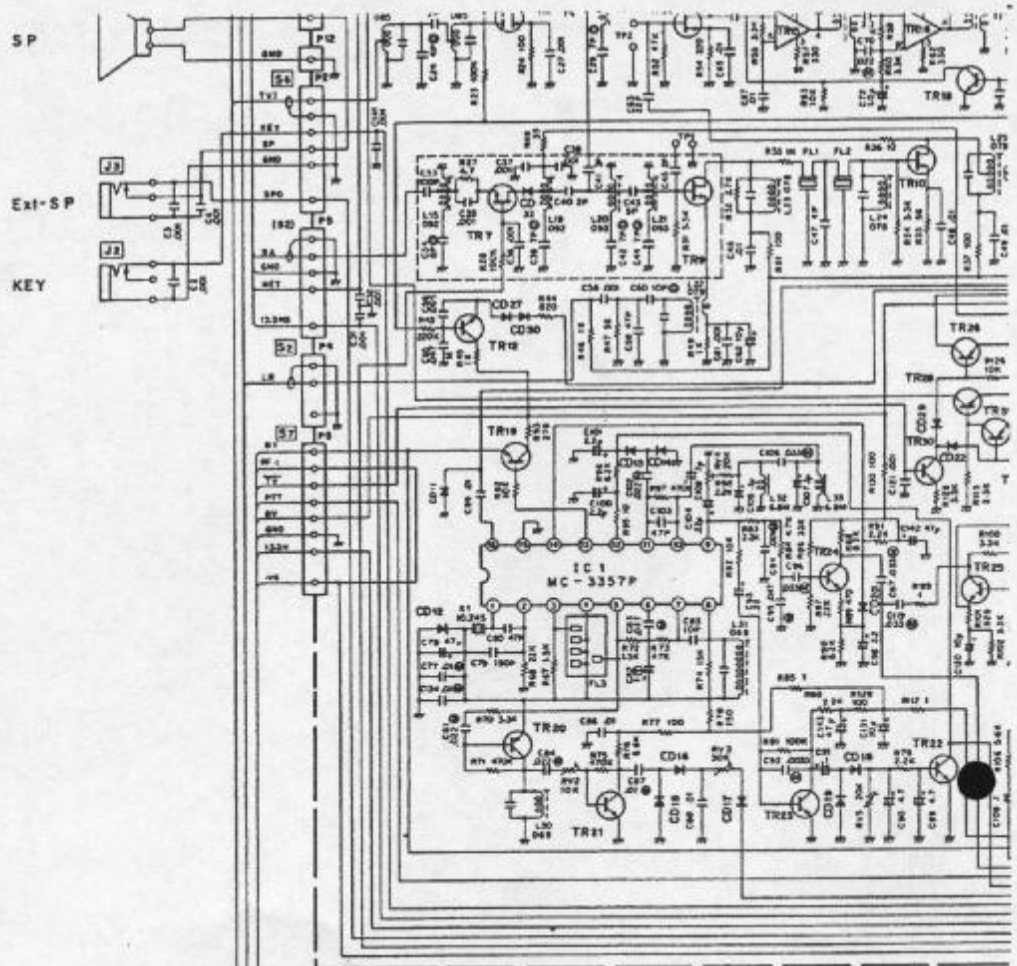
# 1/ASSEMBLY UNIT





THE QUALITY OF  
THIS PAGE IS  
THE BEST THAT  
IS AVAILABLE

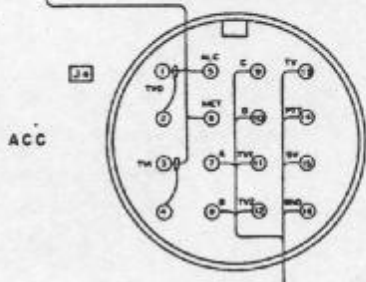


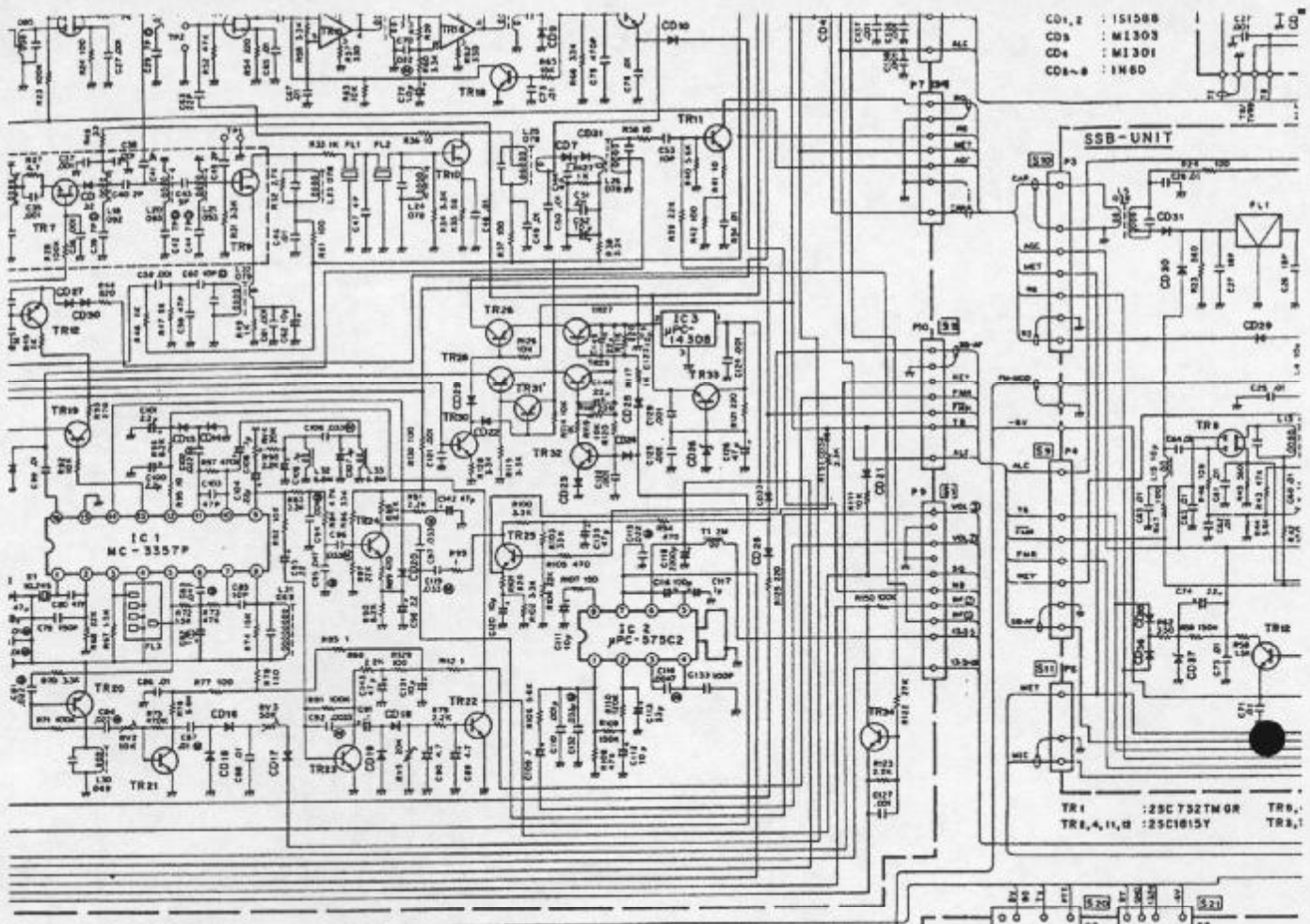


- |          |           |                                 |             |  |
|----------|-----------|---------------------------------|-------------|--|
| TR1, 2,  | : 2SK196R | TR11                            | : 2SC380TMY | CD1, 4, 5, 7, 10, 11, 17, 20-29, 27-33 |
| TR9, 21  | : 2SC535C | TR12, 17-18, 22, 23, 30, 32, 34 | : 2SC1815Y  | CD6, 9, 13-16, 18, 19                  |
| TR4      | : 3SK77BL | TR14, 16                        | : 2SC1815F  | CD8, 32                                |
| TR5      | : 2SC2053 | TR20, 26, 31                    | : 2SA1015Y  | CD12                                   |
| TR6      | : 3SK73GR | TR35                            | : 2SC2120Y  | CD26                                   |
| TR7, 8   | : 2SK125  | TR27-29                         | : 2SA950Y   |  |
| TR10, 14 | : 2SK61GR | TR24, 25                        | : 2SC732TMR |  |

**PLL-UNIT**

- |                      |             |
|----------------------|-------------|
| TR1, 3, 7, 8         | : 2SC636C   |
| TR2                  | : 3SK73GR   |
| TR4                  | : 2SC580TMY |
| TR5, 9               | : 2SC1815Y  |
| TR6                  | : 2SK197MGR |
| CD1, 4, 8, 7, 10, 11 | : 1S1588    |
| CD2, 3               | : 1S V538   |
| CD6                  | : WZ050     |
| CD8, 9               | : 1S2209    |
| IC1                  | : TA766     |
| IC2                  | : PDC       |





9GR	TR11	: 2SC380TMY
3C	TR12,17-19, 22,23,30,32,34	: 2SC1815Y
7BL	TR15,16	: 2SC1583F
053	TR20,28,31	: 2SA1015Y
3GR	TR22	: 2SC2120Y
25	TR27-29	: 2SA950Y
1GR	TR24,25	: 2SC732TMGR

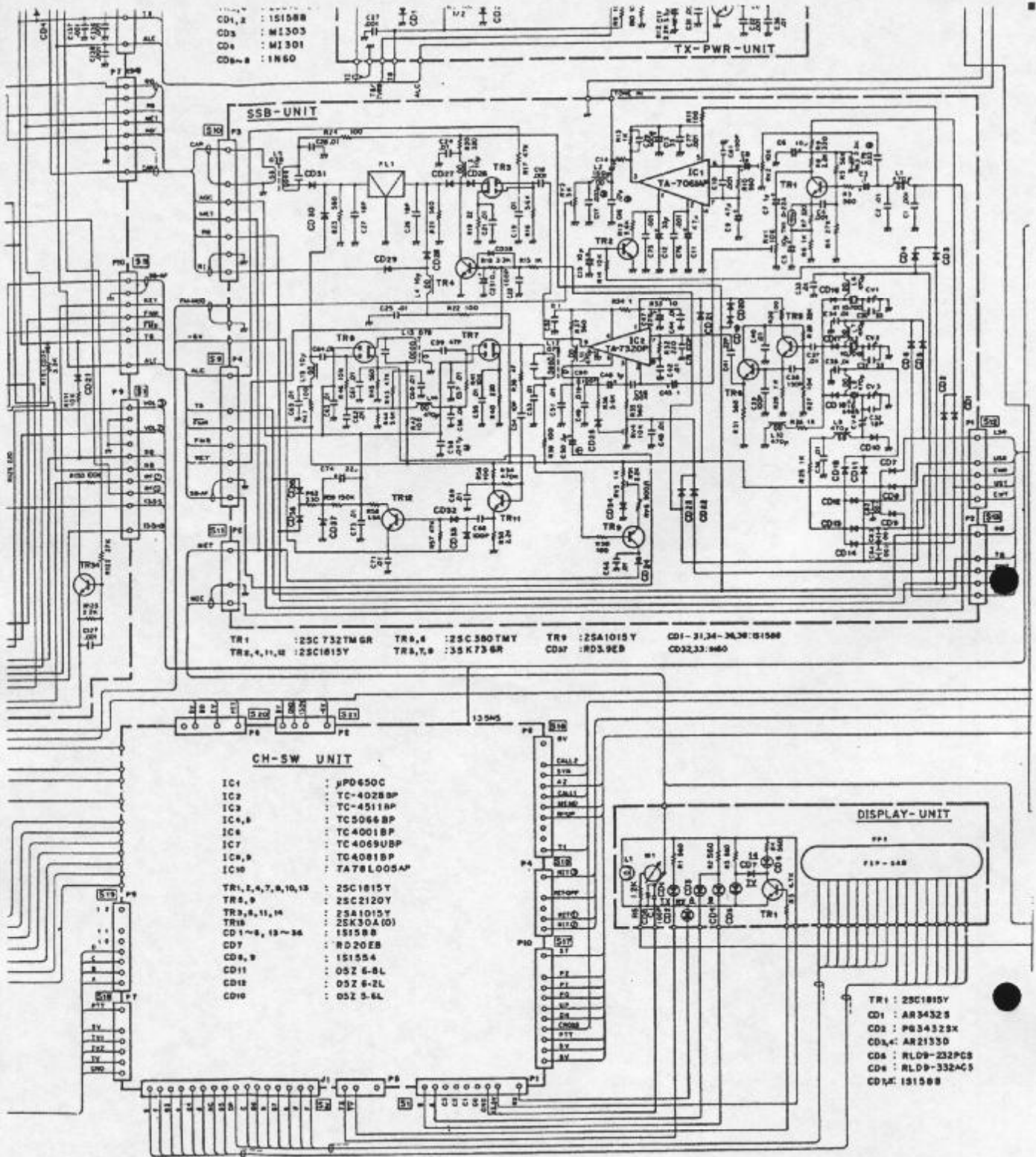
CD1-3, 7,10,11,17,20-22,27,31,33,34	: 1S1588
CD4, 6, 13-16, 18, 19	: 1N60
CD5, 32	: 15V99
CD12	: 05Z6.2L
CD24	: 05Z13L

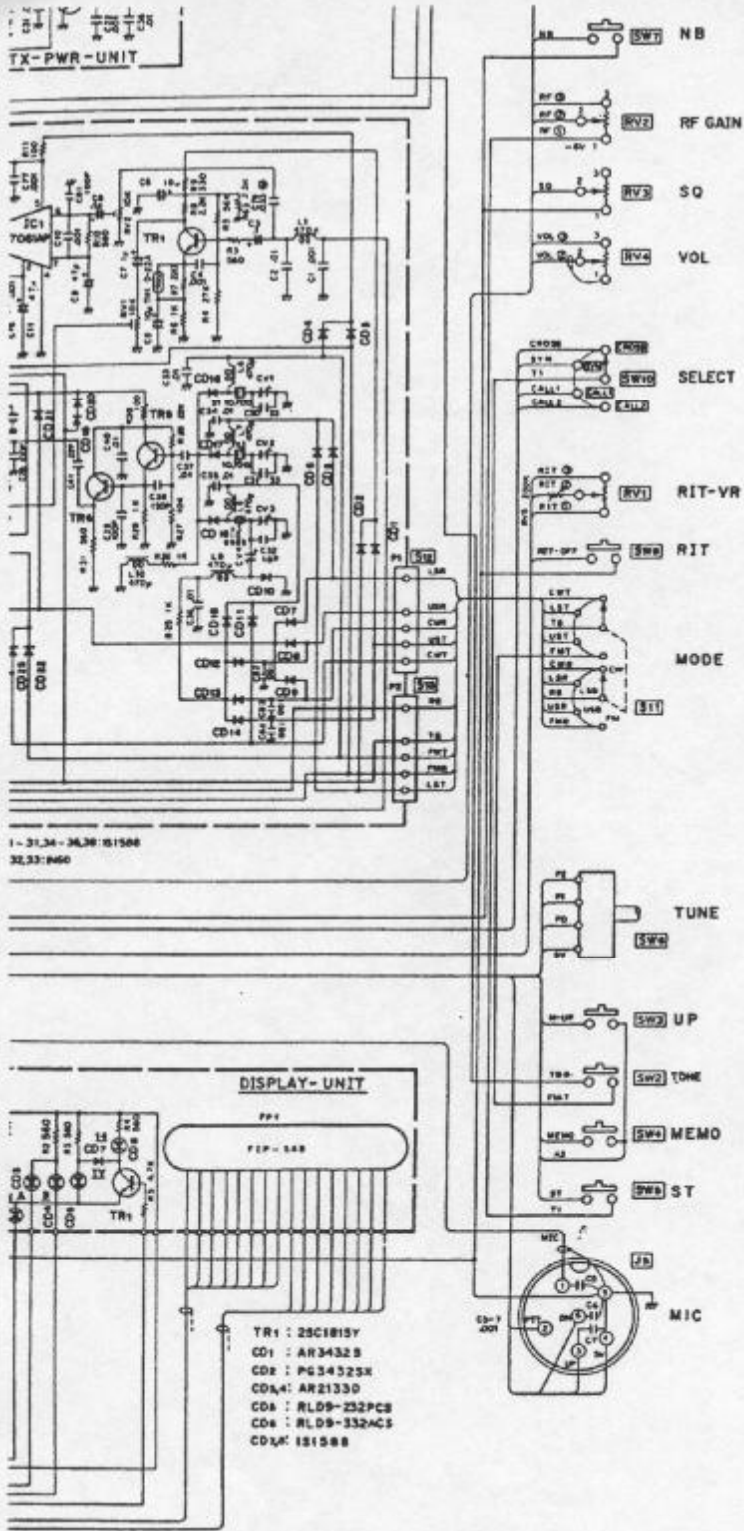
**PLL-UNIT**

TR1,3,7,8	: 2SC539C
TR2	: 3SK736R
TR4	: 2SC380TMY
TR5,9	: 2SC1815Y
TR6	: 2SK19TMGR
CD1,4,4,7,10,11	: 1S1588
CD2,8	: 15V53B
CD9	: W2050
CD9,9	: 15Z209
IC1	: T47050AP
IC2	: PD0519C

**CH-SW UNIT**

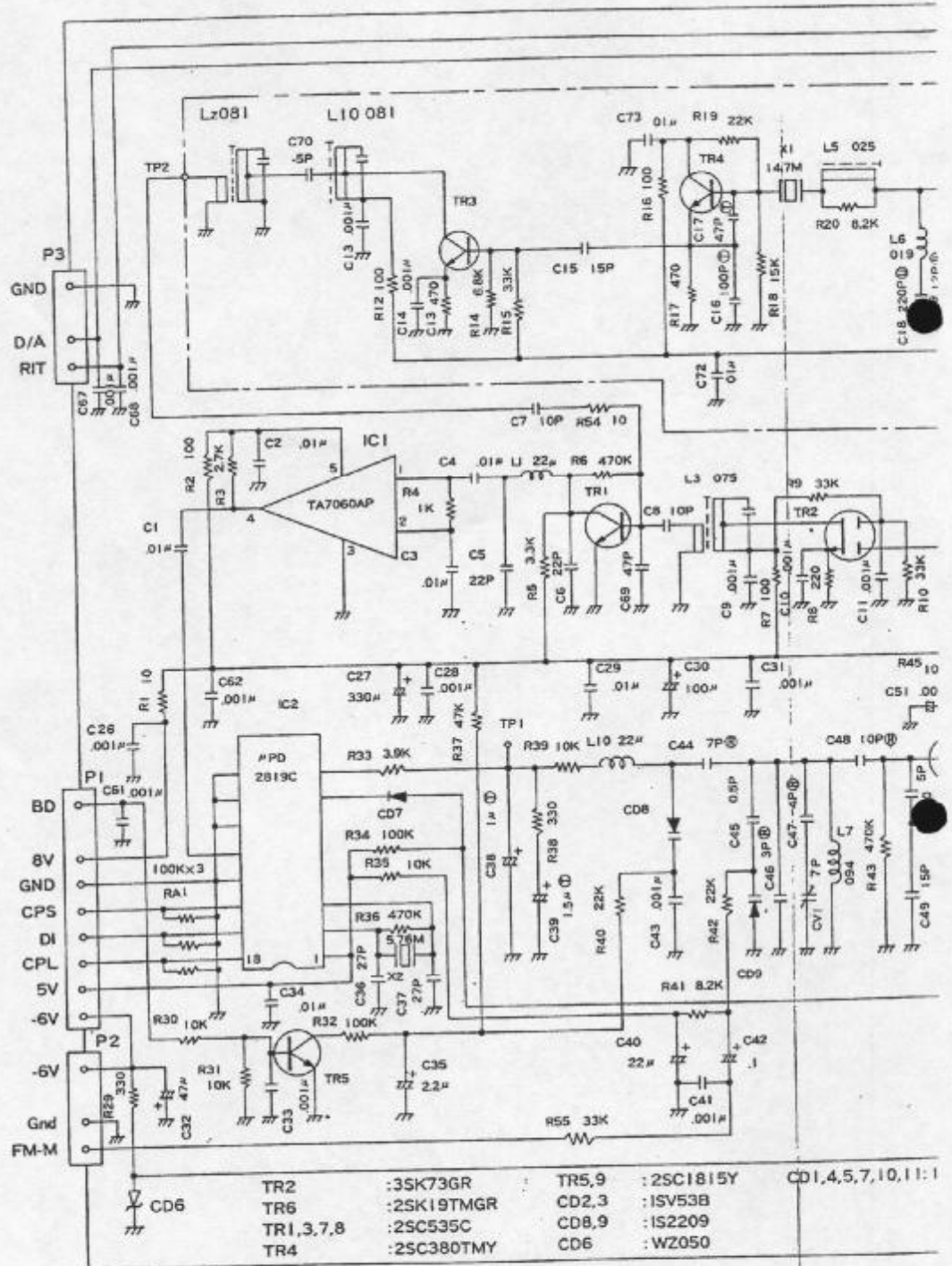
IC1	: μPD650C
IC2	: TC-4028P
IC3	: TC-4511P
IC4,8	: TC5066BP
IC5	: TC4001BP
IC6,9	: TC4069UBP
IC7	: TC4081BP
IC8,9	: TC4081BP
IC10	: TA78L005AP
TR1,2,4,7,8,10,13	: 2SC1815Y
TR3,9	: 2SC2120Y
TR2,8,11,14	: 2SA1015Y
TR10	: 2SK30A(0)
CD1-6, 13-38	: 1S1588
CD7	: RD20EB
CD8,9	: 151554
CD11	: 05Z 6-8L
CD12	: 05Z 6-2L
CD10	: 05Z 5-6L



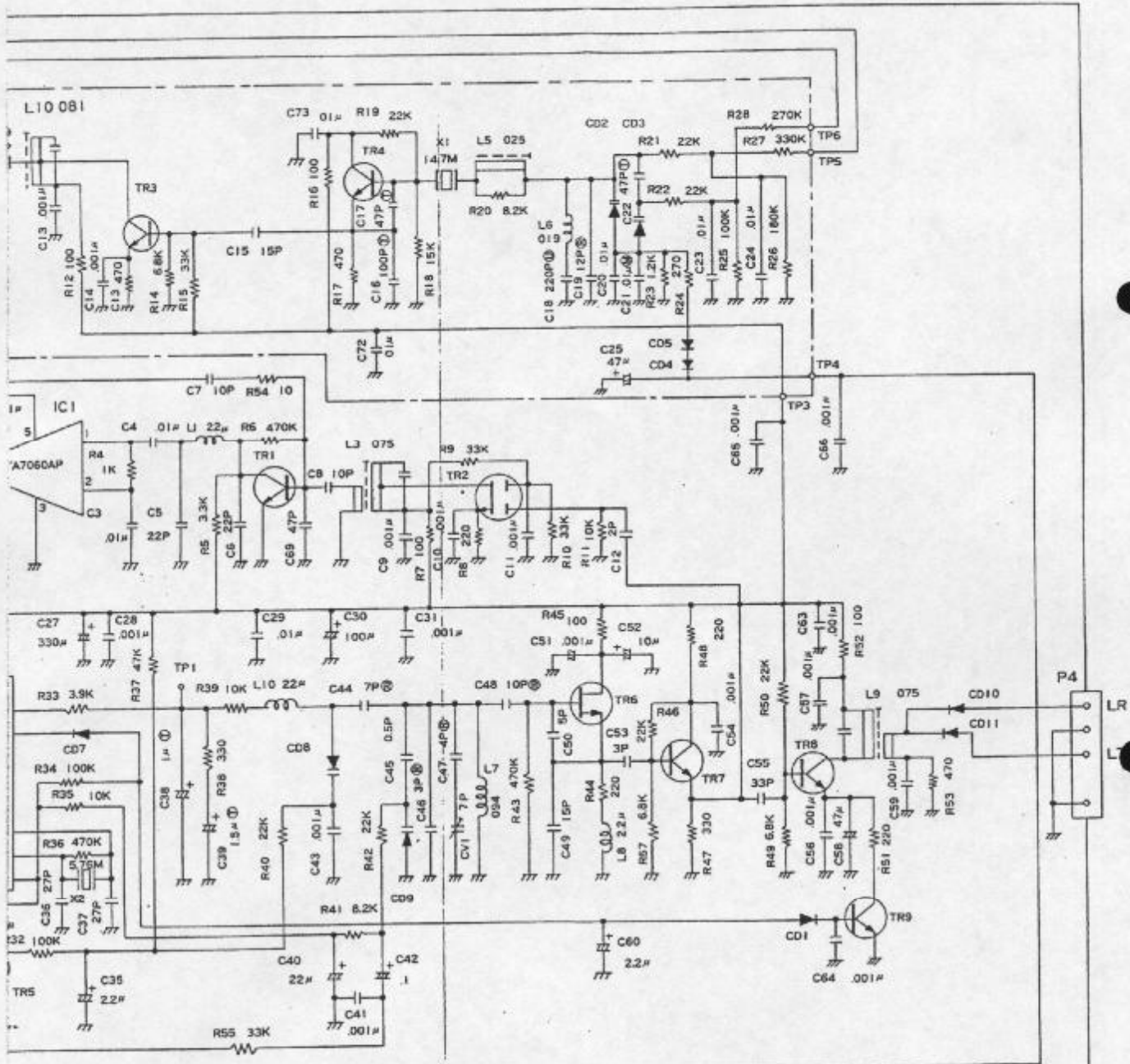




# MULTI-750A/E P.L.L. CIRCUIT DIAGRAM



GRAM



- |            |       |           |                 |         |
|------------|-------|-----------|-----------------|---------|
| :3SK73GR   | TR5,9 | :25C1815Y | CD1,4,5,7,10,11 | :IS1588 |
| :2SK19TMGR | CD2,3 | :ISV53B   |                 |         |
| :25C535C   | CD8,9 | :IS2209   |                 |         |
| :25C380TMY | CD6   | :WZ050    |                 |         |

