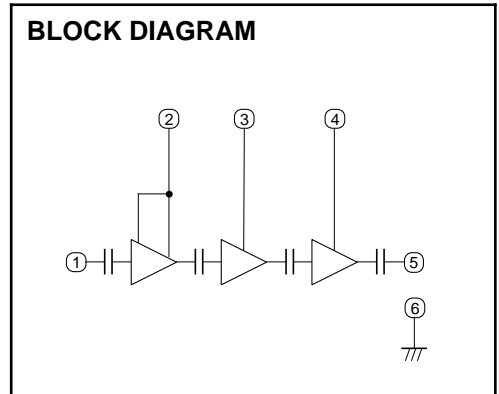
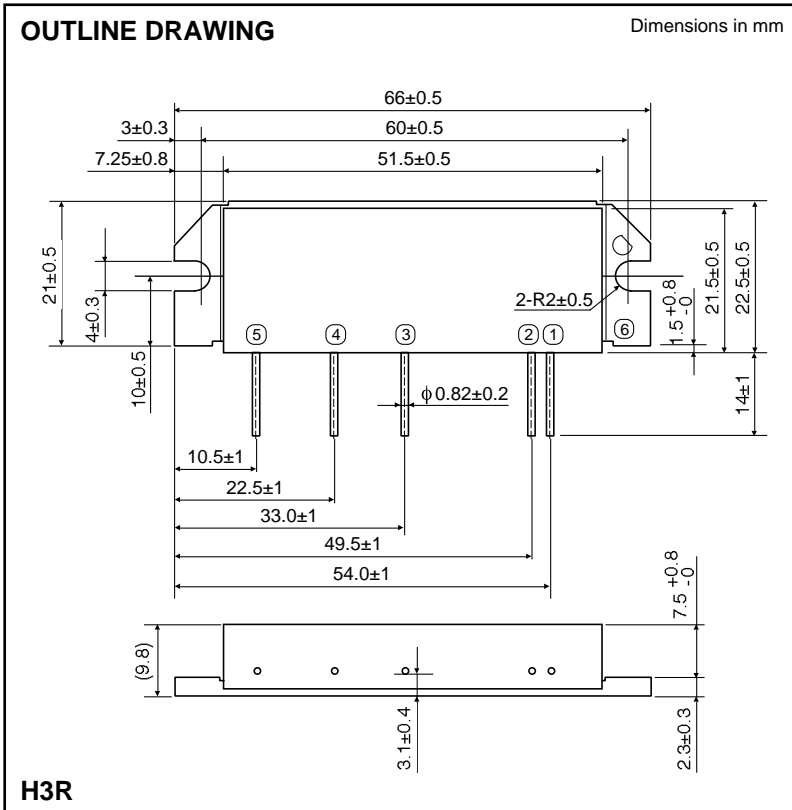


MITSUBISHI RF POWER MODULE  
**M68751R**

430-450MHz, 12.5V, 27W FM MOBILE RADIO



- PIN:
- ① Pin : RF INPUT
  - ② Vcc1: 1st. DC SUPPLY
  - ③ Vcc2: 2nd. DC SUPPLY
  - ④ Vcc3: 3rd. DC SUPPLY
  - ⑤ Po : RF OUTPUT
  - ⑥ GND: FIN

**ABSOLUTE MAXIMUM RATINGS** (Tc=25°C unless otherwise noted)

Symbol	Parameter	Conditions	Ratings	Unit
Vcc	Supply voltage	ZG=ZL=50	17	V
Icc	Total current	ZG=ZL=50	7	A
P <sub>in</sub> (max)	Input power	ZG=ZL=50 , Vcc1 12.5V	400	mW
P <sub>O</sub> (max)	Output power	ZG=ZL=50 , Vcc1 12.5V	40	W
T <sub>C</sub> (OP)	Operation case temperature	ZG=ZL=50 , Vcc1 12.5V	-30 to +110	°C
T <sub>stg</sub>	Storage temperature		-40 to +110	°C

Note. Above each maximum ratings are guaranteed independently.

**ELECTRICAL CHARACTERISTICS** (Tc=25°C unless otherwise noted)

Symbol	Parameter	Test conditions	Limits		Unit	
			Min	Max		
f	Frequency range		430	450	MHz	
P <sub>O</sub>	Output power	Vcc=12.5V, P <sub>in</sub> =200mW, ZG=ZL=50	27		W	
η	Total efficiency		40		%	
2f <sub>o</sub>	2nd. harmonic			-30		dBc
3f <sub>o</sub>	3rd. harmonic			-30		dBc
in	Input VSWR				2.8	—
—	Load VSWR tolerance	Vcc=15.2V, P <sub>O</sub> =7W (P <sub>in</sub> : Control), ZG=50 Load VSWR = 20:1 (All phase)	No degradation or destroy		—	

Note. Above parameters, ratings, limits and test conditions are subject to change.