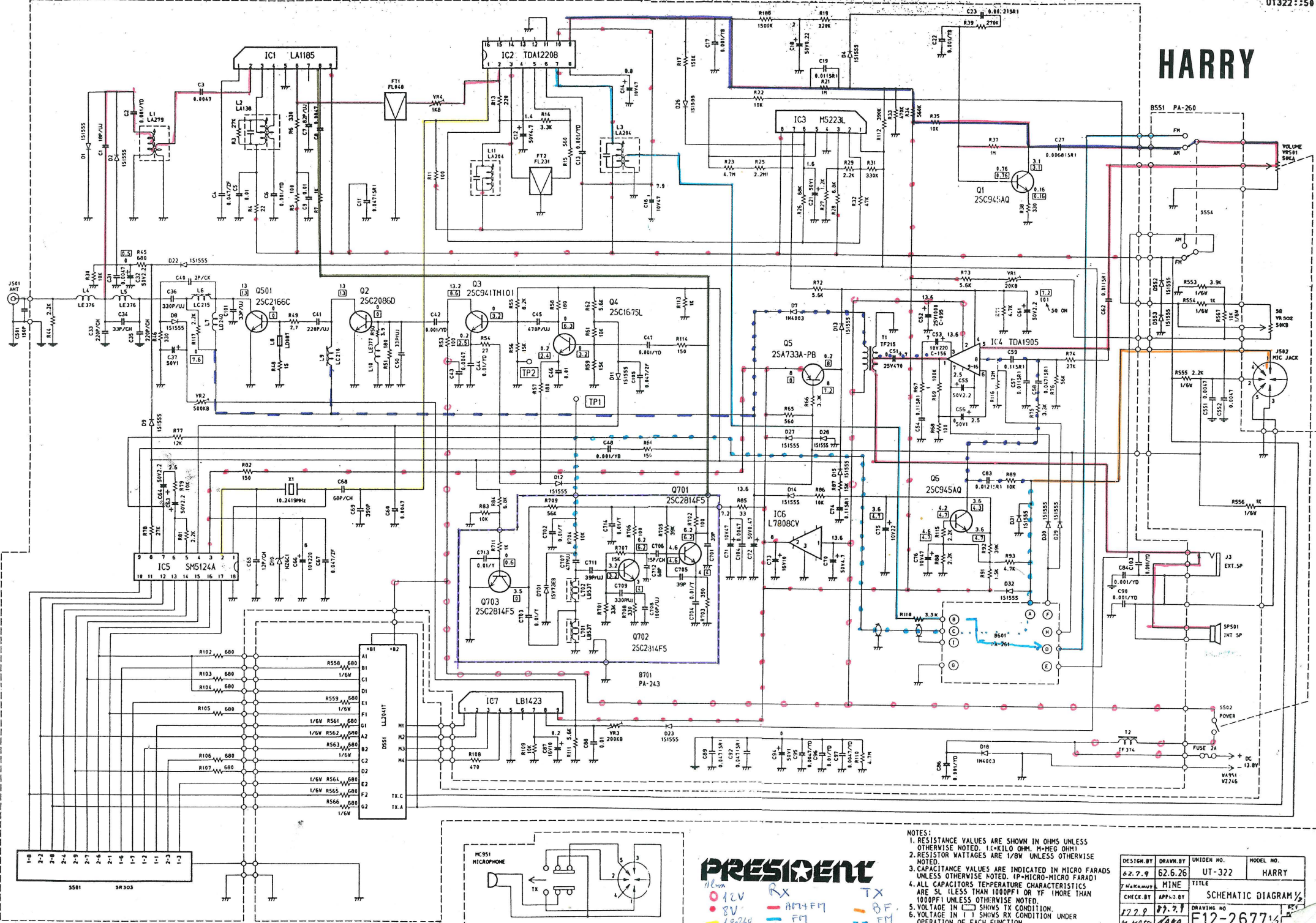


HARRY



- NOTES:
1. RESISTANCE VALUES ARE SHOWN IN OHMS UNLESS OTHERWISE NOTED. (K=KILO OHM, M=MEG OHM)
 2. RESISTOR MATTAGES ARE 1/8W UNLESS OTHERWISE NOTED.
 3. CAPACITANCE VALUES ARE INDICATED IN MICRO FARADS UNLESS OTHERWISE NOTED. (P=PICO-MICRO FARAD)
 4. ALL CAPACITORS TEMPERATURE CHARACTERISTICS ARE S1 UNLESS THAN 100PFI OR YF MORE THAN 1000PFI UNLESS OTHERWISE NOTED.
 5. VOLTAGE IN [] SHOWS TX CONDITION.
 6. VOLTAGE IN [] SHOWS RX CONDITION UNDER OPERATION OF EACH FUNCTION.
 7. VOLTAGE IN NO MARK SHOWS RX CONDITION.

PRESIDENT

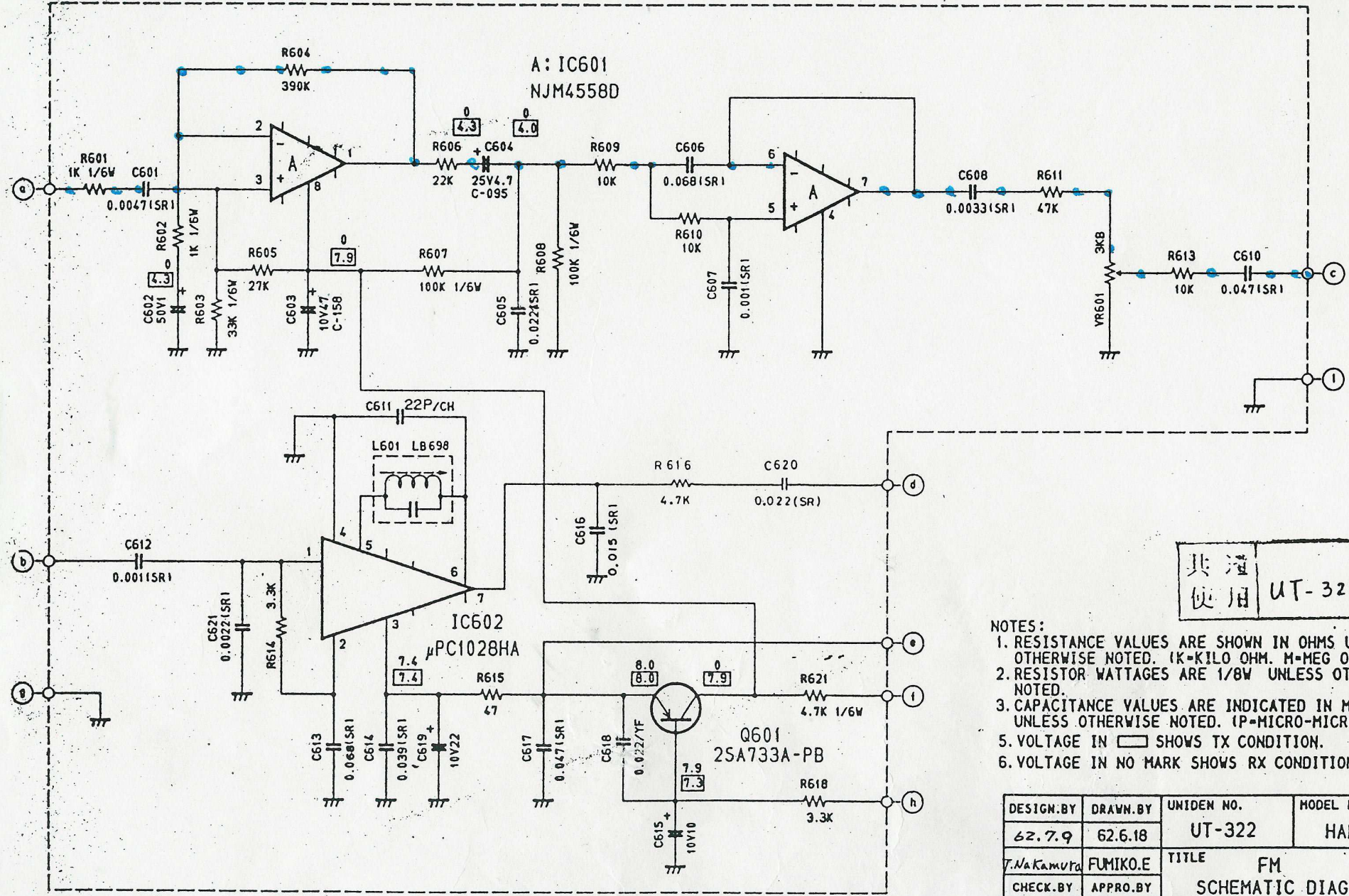
92V
 8V
 6.0200
 100mV

Rx
 AM/FM
 FM
 AM

Tx
 FM
 FM
 AM

DESIGN BY	DRAWN BY	UNIDEN NO.	MODEL NO.
62.7.9	62.6.26	UT-322	HARRY
CHECK BY	APP. BY	TITLE	
MINE		SCHEMATIC DIAGRAM	
1228	87.23	DRAWING NO	
12/18/82	AA99	E12-2677 1/2	

B601 PA-261



共通
使用 UT-322B

- NOTES:
1. RESISTANCE VALUES ARE SHOWN IN OHMS UNLESS OTHERWISE NOTED. (K-KILO OHM, M-MEG OHM)
 2. RESISTOR WATTAGES ARE 1/8W UNLESS OTHERWISE NOTED.
 3. CAPACITANCE VALUES ARE INDICATED IN MICRO FARADS UNLESS OTHERWISE NOTED. (P-MICRO-MICRO FARAD)
 5. VOLTAGE IN SHOWS TX CONDITION.
 6. VOLTAGE IN NO MARK SHOWS RX CONDITION.

DESIGN.BY	DRAWN.BY	UNIDEN NO.	MODEL NO.
62.7.9	62.6.18	UT-322	HARRY
T.NAKAMURA	FUMIKO.E	TITLE FM	
CHECK.BY	APPRO.BY	SCHEMATIC DIAGRAM 3/2	
82.7.9	17.7.9	DRAWING NO.	REV. MARK
M.MAISU	TA99	E14-2678 1/2	