

Bearcat IV

FM MONITOR RECEIVER

MADE IN U.S.A.

OPERATING INSTRUCTIONS



PATENTED UNDER ONE OR MORE OF THE FOLLOWING U.S. PATENTS:

3,531,724

3,665,318

3,714,585

3,725,788



Electra COMPANY

DIVISION OF MASCO CORPORATION

CUMBERLAND, INDIANA 46229

© Copyright 1975 by Electra Company

GENERAL DESCRIPTION

The Bearcat IV is a table and mobile model, four-band FM monitor receiver providing automatic scanning of 8 channels in all of the four Public Safety/Business Bands at 30-50mHz, 146-174mHz, 450-470mHz, and 470-512mHz. Its features include: Full-band coverage in all 4 bands; 8 plug-in crystals in any combination may be used; high speed automatic or manual scanning; channel switches to omit scanning of undesired channels; solid state Light Emitting Diode channel indicators; quieting squelch control; front-mounted 3"x5" speaker; external speaker jack; cables for 117V ac or 12V dc operation; and operation from a single telescoping or outside antenna.

The most advanced developments in solid state circuitry are incorporated in this receiver; dual-gate MOS Field Effect r-f and mixer transistors provide low noise and low cross-modulation. Single conversion into monolithic quartz crystal i-f filters reduces spurious responses and radiation and improves selectivity; linear integrated circuits provide i-f gain, detection, audio amplification and output; TTL I.C. multivibrators and gates provide scanning logic; desired channels are scanned with no time lost scanning unwanted channels.

An exclusive track-tuning system using voltage-variable capacitors provides high performance full-band coverage.

SPECIFICATIONS

Size: 9" W x 3 5/8" H x 6 1/8" D

Weight: 5 lbs.

Cabinet: Heavy duty vinyl-clad steel. Non-sliding feet.

Power Requirements: 117Vac, 15W; 13.8Vdc, 10W.

Antenna: Telescoping antenna (supplied). Connector provided for outside or mobile antenna

Input Impedance: 50-70 ohms.

Sensitivity: H and L bands: readable at .25 microvolt for \pm 5kHz deviation, .6 microvolt for 20 dB signal-to-noise ratio: U/T band slightly less.

Channels: Up to 8 crystal-controlled channels may be scanned automatically or selected individually or in any combination.

Frequency Range:

Low band 30-50 mHz (Aligned 33-48mHz)

High band 150-174 mHz, total spread 24 mHz.

UHF band 450-470 mHz, total spread 20 mHz.

UHF "T" band 470-512 mHz, total spread 42 mHz.

Scan Rate: Approximately 25 channels per second.

Crystals: Miniature plug-in type HC-25/U for easy user installation.

Accessories Supplied: All-band telescoping antenna / Universal mobile mounting bracket / 117 Vac power cable / 13.8 Vdc power cable (Connects to "Accessory" or "Radio" fuse block. FOR USE WITH NEGATIVE GROUND SYSTEMS ONLY).

Front Panel Features: Squelch control / Volume on-off control / Combined Manual-Scan Channel Select Switch / 8 channel switches / 8 Light Emitting Diode channel indicators / Forward-facing 3" x 5" speaker.

Listed by Underwriters' Laboratories, Inc.

Certified under FCC Reg. Part 15.

WARNING
TO PREVENT FIRE OR SHOCK HAZARD DO NOT
EXPOSE THIS APPLIANCE TO RAIN OR MOISTURE

INSTALLATION INSTRUCTIONS

This receiver is shipped complete with the necessary accessories for mobile or table use. As a fixed receiver in areas of fair-to-good signal strength, the telescoping whip antenna supplied, may be used on all bands.

If an outside antenna is necessary for fringe reception, you may use a 155mHz antenna on all bands, a 40mHz antenna for L and H bands or a 460mHz antenna on U band only. External antennas should be coupled to the receiver by 50 ohm coaxial cable, such as RG-58 A/U, using the supplied automotive type connector. Suitable antennas are available at most radio dealers.

The BC-4 has high noise immunity because of the noise squelch system. However, the noise generated by the auto electrical system and other parts of the car is sometimes a problem, particularly in areas of low signal strength. The subject of noise elimination is too lengthy to deal with adequately in this instruction book.

It is recommended for those who wish to become familiar with the subject to purchase "The Radio Amateur's Handbook" or "The Mobile Manual" published by the American Radio Relay League and sold by most electronic parts stores. It is further recommended that the vehicle be taken to a service center which specializes in VHF-UHF two way radio communications equipment for correction of a noise problem.

MOBILE INSTALLATION

This receiver may be installed in any car, truck, boat, etc., having a 12 VOLT NEGATIVE GROUND SYSTEM.

In some areas it is illegal for unauthorized persons to receive police communications on a mobile receiver. The user of this radio is responsible for obtaining any necessary authorization through local agencies and Electra Company cannot be responsible for any illegal installation or usage.

1. Place the mobile mounting bracket under the dash to hold the receiver in the desired position.
2. Mark and drill two holes using a 7/64 drill bit and secure the bracket with the two No. 6 self-tapping screws.
3. Insert the two plastic "T" washers, flanges turned inward, in the desired pair of mounting holes and secure the receiver in place with the two 1/4-20 bolts and two 1/4" ID x 9/16" OD flat washers.
4. Attach the DC power cable and connect it to the "accessory" or "radio" terminal on the fuse block.
5. External mobile antennas may be used as described above. The automotive antenna may be used fully extended for L or H bands. It should be reduced to approximately 18" for U bands.

OPERATION

1. With the power cable and antenna properly connected, turn the receiver ON by rotating the "VOLUME" control clockwise.
2. Place the 8 channel switches in the up (ON) position.
3. Set the "MANUAL-SCAN" switch on "MANUAL".
4. Adjust the "SQUELCH" control clockwise until the rushing noise is heard. Then adjust the "SQUELCH" control counterclockwise until the rushing noise disappears.
5. Press the "MANUAL-SCAN" switch downward and continue to step through all channels. If the noise should "break the squelch" on any channel, adjust the squelch control counterclockwise again slightly to quiet the receiver. THIS MUST BE DONE BETWEEN STATION TRANSMISSIONS.
6. The "MANUAL-SCAN" switch may now be used to select and monitor any desired channel.
7. To sample all channels automatically, return the "MANUAL-SCAN" switch to "SCAN". Any channel may be omitted as desired by moving the individual channel switch downward (off).

CRYSTAL INSTALLATION

DISCONNECT POWER BEFORE REMOVING CABINET LEAVE POWER OFF WHILE INSTALLING CRYSTALS

To remove the cabinet, first remove the screw at the bottom rear edge. Push the rear panel forward through the cabinet. The components and crystal sockets are in full view and easily accessible.

Up to eight crystals may be installed in any combination of L, H, or U/T bands. Each crystal is installed in the sockets corresponding to its channel. (Channel 1 is nearest the side of the radio)

The eight three-position slide switches select the desired band for each crystal. To select "Lo" Band (30-50mHz) for a particular channel, place the corresponding switch in the "L" position. (Nearest the front of the radio). The center or "H" position of the switch selects "Hi" Band (150-174mHz) and the third or "U/T" position is used for both "U" (450-470 mHz) and "T" (470-512mHz) bands.

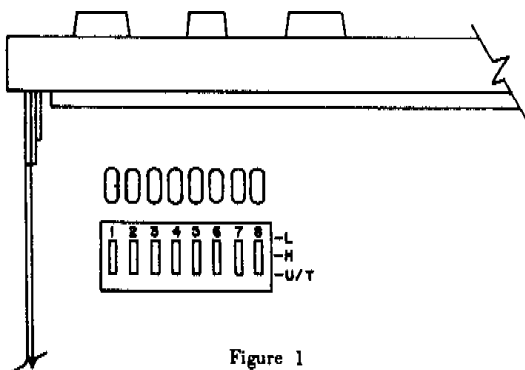


Figure 1

Remove the crystal by a gentle pull upward. Insert the crystal by aligning the pins with the sockets and pushing straight down. **DO NOT BEND THE SOCKETS. THESE MINIA-TURE SOCKETS ARE MADE OF SPRING BRONZE AND WILL BREAK OFF IF BENT EXCESSIVELY.**

NOTE: Do not install two crystals of the same frequency.

Rigid quality standards are applied to crystals furnished by Electra Company to assure full performance, therefore our warranty does not include correcting poor operation caused by crystals from other sources.

The "U/T" alignment spread is 450mHz to 512mHz, the "H" 150mHz to 174mHz, and the "L" 33mHz to 48mHz. New frequencies may be added within these spreads.

CRYSTAL FORMULAS

"L" - $\frac{\text{Received frequency} + 10.80 \text{ mHz}}{9} = \text{crystal frequency}$
Example: $\frac{35.80 \text{ mHz} + 10.80 \text{ mHz}}{9} = 46.60000 \text{ mHz}$

"H" - $\frac{\text{Received frequency} - 10.80 \text{ mHz}}{3} = \text{crystal frequency}$
Example: $\frac{155.01 \text{ mHz} - 10.80 \text{ mHz}}{3} = 48.07000$

"U/T" - $\frac{\text{Received frequency} - 10.80 \text{ mHz}}{9} = \text{crystal frequency}$

Example: $\frac{453.250 \text{ mHz} - 10.80 \text{ mHz}}{9} = 49.16111 \text{ mHz}$

USER HINTS

Radio equipment usually operates in an environment of man-made electro-magnetic noise which radiates from power lines, fluorescent lights, motors, appliances, ignition systems, etc. Modern radios are designed to minimize interference from such sources but operation may be affected under conditions of unusually strong noise.

Distant weak, "skip" or noise signals may be received by this receiver because of its high sensitivity. Whenever such conditions interrupt scanning or whenever a very busy channel prevents reception of other desired signals, the affected channel may be bypassed by means of its individual panel switch.

In cases of strong interfering noise or signals it may be desirable to reduce the length of the antenna to reduce noise pickup below a critical level. This may be very effective in medium and strong signal areas.

Single-channel operation may be obtained as described under Operating Instructions. It may also be accomplished with the "MANUAL-SCAN" switch in either position by locking out all but the desired channel. This assures that the radio will always be on that channel even when turned OFF and ON. Continuous-carrier signals such as the ESSA weather broadcasts on 162.55 mHz, which are available in many areas, may be received when desired by use of the individual channel switches. This unit was designed for use with more than one crystal installed. The unit may be very weak or not work at all with only one crystal installed.

In mobile service the commonly encountered poor reception conditions are signal fading, nearby faulty ignition systems, power lines and proximity to strong signals. Careful setting of the squelch control will minimize these conditions.

When moving or shipping the radio, remove the telescoping antenna to avoid damage to it or to the internal circuit assemblies.

RADIO SERVICES

Local Government	Special Emergency	Police
Highway Maintenance	-Hospitals	Fire
Forestry-Conservation	-Ambulances	Press
Motion Pictures	-Physicians	Business
Special Industrial	-Disaster Relief	Railroad
Telephone Maintenance	-School Busses	Taxicab
Automobile Emergency	Power	Marine
Public Mobile Radio	Petroleum	Manufacturers
Mobile Telephones	Forest Products	Motor Carrier
		Rural Radio

ALIGNMENT

I-F SECTION

Alignment of the I-F system consists of optimizing the input and output networks and balancing the detector output. The bandpass and center frequency are established by quartz crystal filters and "peaking" the coils can result in bandpass ripple or poor sensitivity. Field alignment should not be necessary but the procedure is given for general information.

EQUIPMENT NEEDED

Oscilloscope

Sweep generator with 10.79, 10.80
and 10.81MHz markers

1. Connect sweep generator to TP-1 through a 1pf capacitor.
2. Connect oscilloscope to TP-3.
3. Maintain output of 10.80mhz sweep generator at a low level to prevent distortion from overloading.
4. Detune T5 for maximum IF output display. See Figure 2.
5. Adjust T3 for maximum output, and T4 for minimum ripple.
6. Adjust T5 so that 10.80 mhz is in center of discriminator curve and for best linearity. See Figure 3.

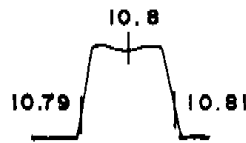


Figure 2

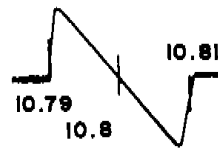


Figure 3

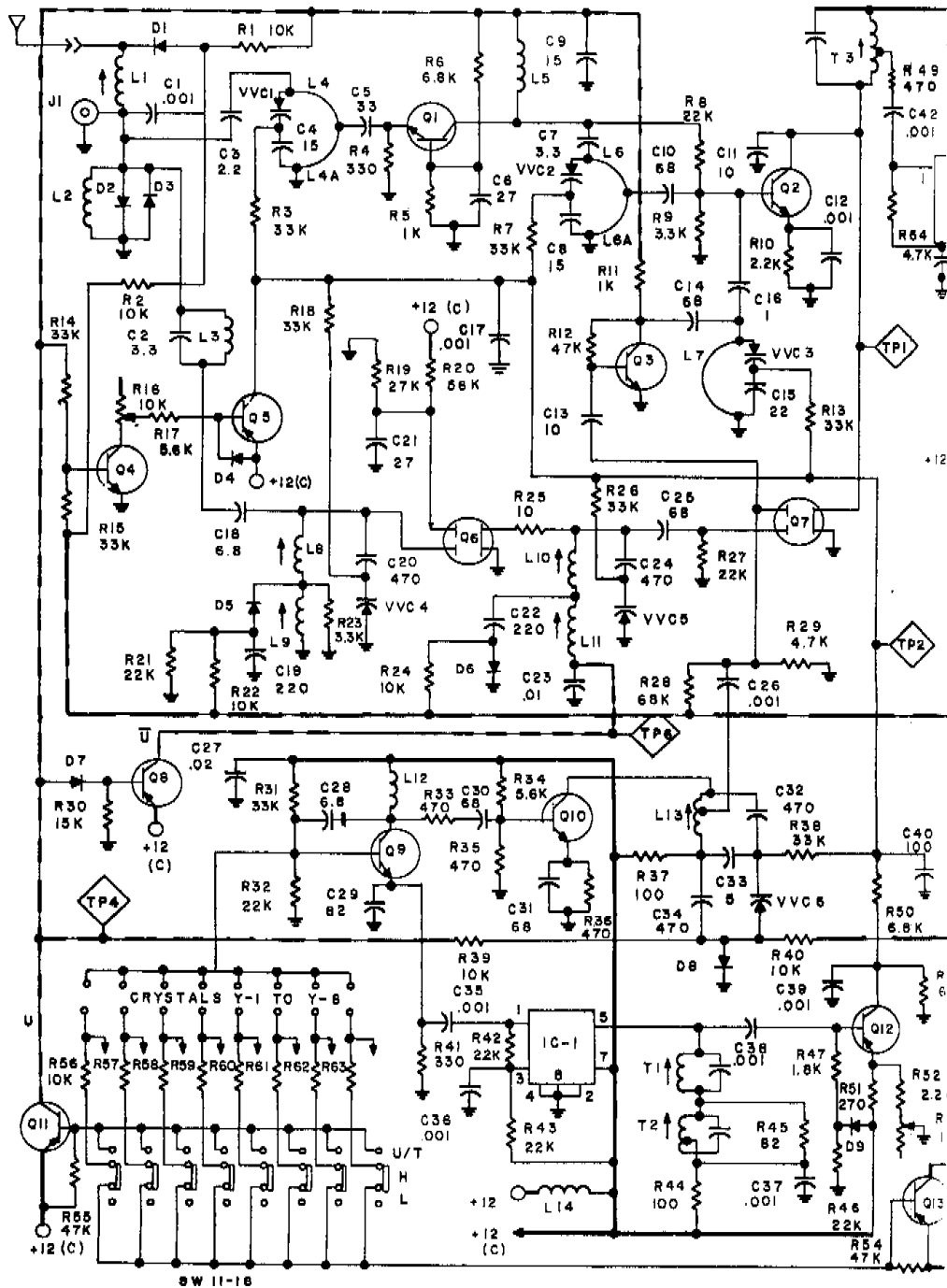
ALTERNATE METHOD: I-F alignment may be checked using a Measurements Model 800 Generator or equivalent tuned to an operating frequency and swept ± 25 kc. Markers are not essential since center frequency is determined by the filter.

R-F SECTION

DO NOT ATTEMPT ALIGNMENT OR "PEAKING" OF R-F SECTION.

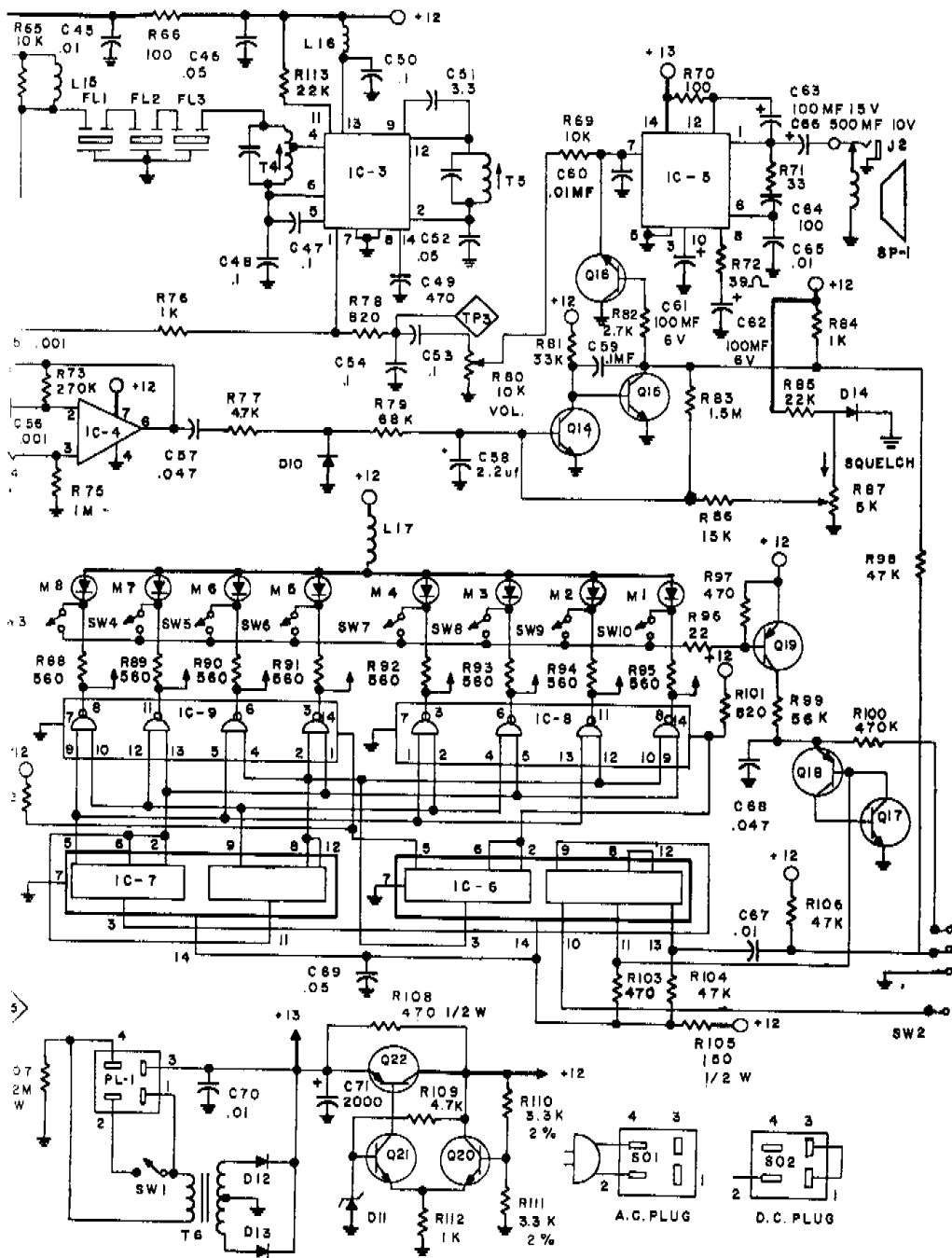
The R-F alignment points are adjusted and sealed at the factory and should not be disturbed. Factory alignment involves multi-frequency signal generation systems, add-on test modules, output indicators and training beyond the scope of normal service activities.

The unique R-F system includes electronic tracking of R-F and oscillator circuits for maximum performance over a wide range of frequencies. THIS PERFORMANCE CAN BE DESTROYED BY AN ATTEMPT TO "PEAK UP" OR "TWEAK" OR "OPTIMIZE", ETC.



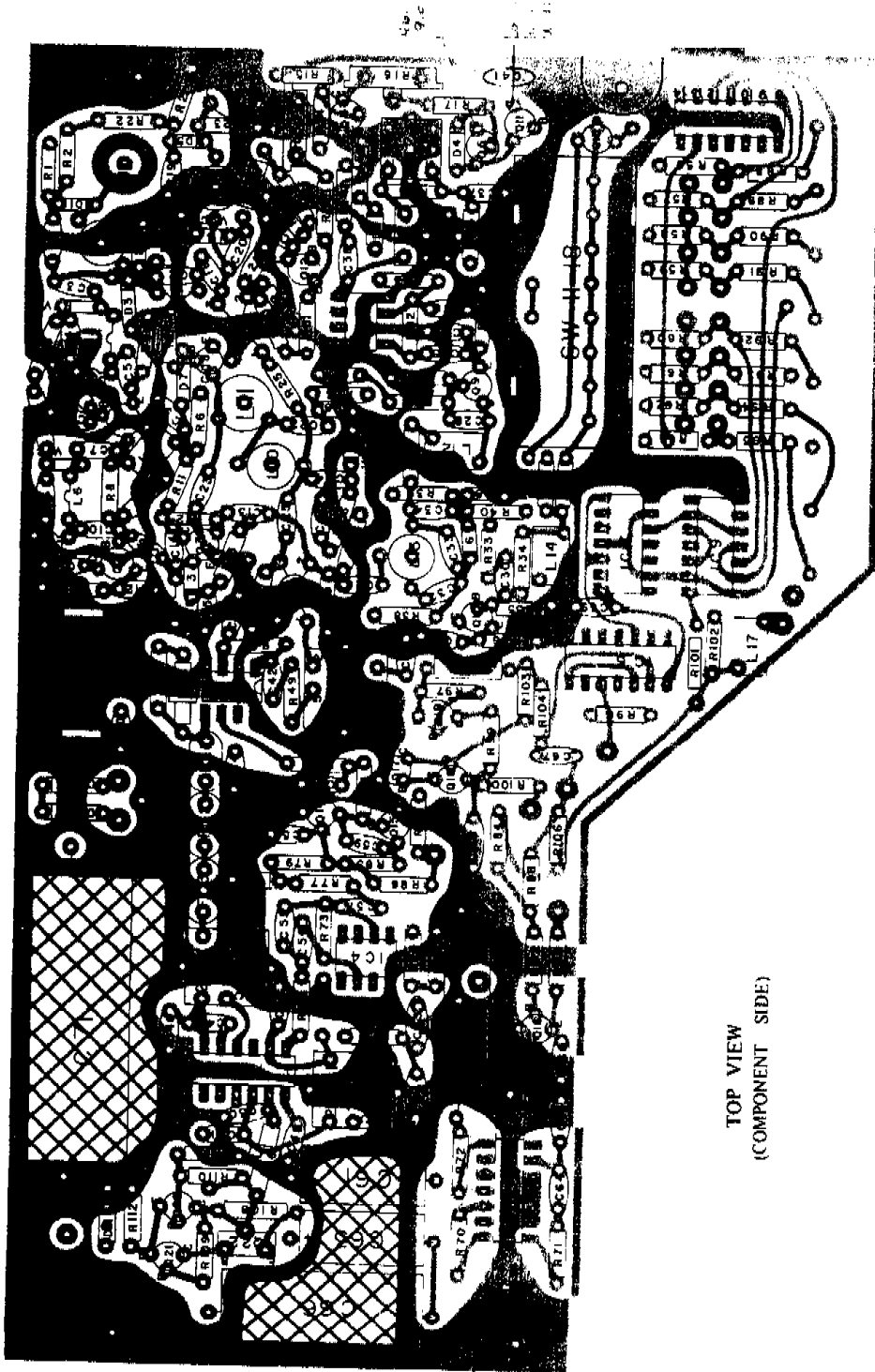
RESISTOR VALUES IN OHMS
 CAPACITOR VALUES BELOW : IN MFD
 UNLESS OTHERWISE SPECIFIED

BEARCAT IV SC



ATIC

AC Power - 15.3V LC Power Supply
II.77V00 Collect Q22



TOP VIEW
(COMPONENT SIDE)

VOLTAGE CHART

The Voltage Chart may be used as an approximate guide in following circuit operation or locating a defective stage. You should be familiar with the entire manual before attempting measurements.

INTEGRATED CIRCUIT VOLTAGES

IC No.	1	2	3	4	5	6	7	8	9
PIN 1	1.4	1.4	5.6	0	8	NC	NC	.1	5
2	GND	GND	3.4	6	NC	5.2	5	.1	5
3	1.45	1.45	0	6	GND	5	.1	12	12
4	GND	0	1.4	GND	NC	NC	NC	.1	5
5	11.6	10.5	1.4	NC	GND	.2	.1	5	.1
6	12	11	1.4	6	.6	5.2	5	12	12
7	12	10.2	GND	12	0	GND	GND	GND	GND
8	GND	0	GND	NC	1.3	5	5	.2	12
9	x	x	.15	x	NC	.1	.1	5	.1
10	x	x	1.5	x	6.4	1.6	NC	5	.1
11	x	x	NC	x	NC	6	5	12	12
12	x	x	3.4	x	15.2	5	5	5	.1
13	x	x	12	x	NC	6	NC	.1	5
14	x	x	6.2	x	15.6	6.2	6.2	5.2	.2

Channel No. 1 selected.

LOGIC CHART

The logic sequence for counting is shown by "0" under .5v and "1" over 4v. I.C.-6 pins 8 and 9 (*) change state on each movement, up or down, of the "Manual-Scan" Switch.

I. C. No.	PIN	COUNT							
		1	2	3	4	5	6	7	8
6	5	0	0	0	0	1	1	1	1
	6	1	1	1	1	0	0	0	0
	8*	1	1	1	1	1	1	1	1
7	5	0	0	0	0	0	0	0	0
	6	1	0	1	0	1	0	1	0
	8	1	1	0	0	1	1	0	0
9	5	0	0	1	1	0	0	1	1
	6	1	0	1	1	1	1	1	1
	8	1	1	0	1	1	1	1	1
8	3	1	1	1	1	0	1	1	1
	6	1	1	1	1	1	0	1	1
	8	1	1	1	1	1	1	0	1

TRANSISTOR VOLTAGES

TEST CONDITION	Q No.	E	B	C	
L/(HUT)	Q1	2.3	3	12.0	
	2	.8	1.5	11.0	
	3	GND	.7	6.0	
	4	GND	0/07	12/0	
	5	12.0	11.4	*	
	8	12.0	11.3/11.6	12.0/0	
	9	3.4	3.8	12	
	10	.25/1.2	.9	12/11.8	
	11	12	11.9/11.3	0/12	
	12	11.7	*	*	
	13	12	12/11.3	0/12	
	14	GND	.4/7	.7/0.4	
	15	GND	.7/0.4	.08/10.5	
	16	.007/.0003	.08/7	GND	
	17	GND	0	6	
	18	0/4	6	0	
	19	12	12	.05/4.0	
	20	5.4	6	12	
	21	5.4	6	15	
	22	15.6	15	12	
	LH/UT	Q6	11.8/0	GND	0
		Q7	11	GND	0
LUT/H	Q7	D	S	G ₁	
		G ₂			

*Tuning Voltage — varies with crystal frequency.

SERVICING

GENERAL

It is recommended that servicing of this receiver be done by the factory service center. Special equipment and skills are maintained at the factory to give fast and efficient service on all of our products.

When returning radio receivers to the factory for service, include crystals, ac and dc power cables and telescoping antenna. Disconnect cables and antenna, pack carefully and include a brief, detailed description of the difficulty you are having.

The receiver circuitry is designed to utilize the best features of four types of semiconductors: rectifier diodes, conventional bi-polar transistors, insulated-gate field-effect transistors and integrated circuits. Servicing should not be attempted by anyone who is not familiar with the manufacturer's recommendations and cautions relating to each of these devices. The use of ohmmeters is particularly hazardous since they can deliver voltages and currents large enough to damage semiconductors.

Unusual circuitry in this receiver includes the automatic tuning system. I.C. No.1 and the associated circuits generate tuning voltages to track the antenna, r-f and oscillator circuits as channels are scanned. Also, when the receiver is operating in the "L" band, loading coil L-1 is switched into the telescoping antenna circuit.

Audio output power is measured with bursts of modulation or by measuring the maximum excursion on voice modulation as shown on an oscilloscope. When a continuous tone is received, the output will start at full power and then decrease to approximately half power to protect the output integrated circuit from overload. It will then return to full power for voice communications.

The LED indicators have a forward voltage drop of about 1.6v at 20ma. The current should not exceed 50ma. They are polarized and may be damaged by a high reverse voltage. When a channel lamp does not light, the failure may be either the lamp or the switching I.C. If the channel works, check the lamp; if not, check the I.C. When groups of lamps are out, refer to the logic chart.

TRACKED TUNING SYSTEM

All tuned circuits in the RF sections are tuned by voltage-variable capacitors which optimize the radio for each crystal individually regardless of where it falls in any band. This tuning is done automatically and allows the Bearcat IV to tune all parts of any band without compromise.

Tracked tuning is accomplished by means of a DC voltage applied to VVC1, 2, 3, 4, 5, 6. This voltage varies with crystal frequency and is higher for higher frequency crystals. It is adjusted by T1, T2, R17 and R52.

Factory alignment of the RF and tracked tuning system involves highly specialized equipment and training not available to normal service activities.

Because this unique feature is outside the experience of even the most highly trained technicians, these adjustments should only be made by Electra.

BANDSWITCHING

Switches SW11-18 are used to select the proper band for each channel. These switches, the channel scanning logic (IC6, 7, 8, 9) and transistor switches Q8, Q11, and Q13 generate three 12V bandswitch signals— U, U, and H. These signals select the proper RF section (VHF or UHF) and switch inductors in the VHF section to select I, or II band. For any selected channel, the logic diagram is as follows:

Band Selected	\bar{U}	U	H	0 = 0VDC	1 = 12VDC
L	1	0	0		
H	1	0	1		
U/T	0	1	0		

BANDSWITCHING FUNCTIONS

- U (Q11) on for U/T band only
 1. Switches D8 on (Grounds Tripler Tank)
 2. Switches Q8 off
 3. Switches Q4 on (Shifts tuning voltage upward)
 4. Switches D1 on (Shorts antenna loading coil)
 5. Supplies bias voltages to Q1, Q2, Q3 (UHF Section)
- \bar{U} (Q8) on for L or H band
 - Supplies drain voltage to Q6 (VHF amplifier)
- H (Q13) on for H band only
 1. Switches D8 on (Grounds Tripler Tank)
 2. Supplies Gate 2 bias to Q7 (UHF Mixer)
 3. Switches D5 and D6 on (Shorts out low band coils L9 and L11)
 4. Switches Q4 on (Shifts tuning voltage upward)

SERVICE PARTS LIST

Ref. No.	Resistors, ¼W 10%	List Price	Ref. No.	Semi-Conductors	List Price
R-1, 2, 22, 24, 39, 40, 56 thru 63, 65, 69,	10k	\$.25	Q-1, 2, 3	2N5179	2.50
R-3, 7, 13, 14, 15, 18, 26, 31, 38, 81	33k25	Q-4, 14, 15, 16, 17, 20, 21	MPS-339375
R-4, 41	33025	Q-5, 8, 11, 13, 18, 19	2N412675
R-10, 42, 52	2.2k25	Q-6, 7	3N201	2.50
R-6, 48, 50	6.8k25	Q-9, 10	2SC68475
R-8, 21, 27, 32, 43, 46, 85, 113	22k25	Q-12	MPS-364075
R-9, 23	3.3k25	Q-22	TIP-30	1.50
R-11, 76, 112, 5, 84	1k25	D-1, 5, 6, 8	MPN-3401	1.00
R12, 54, 55, 98, 104, 106	47k25	D-2, 3, 4, 9, 10, 14	1N91450
R-16, 53, ¼W, 20%	10K Var.75	D-7	1N34A50
R-19	27k25	D-11	6V Zener ± 1	1.00
R-20, 99	56k25	D-12, 13	1N400150
R-25	1025	VVC1, 2, 3	BB-105A (Matched)	2.00
R-28, 79	68k25	VVC4, 5, 6	BB-209 (Matched)	2.00
R-29, 64, 109, 77	4.7k25	IC1, 2	LM-703LN	1.50
R-30, 86	15k25	IC3	MC-1357P	3.50
R-33, 35, 36, 49, 88 thru 95, 97, 103	47025	IC4	UA741	3.50
R-34, 17	5.6k25	IC5	UA706	5.00
R-37, 44, 66, 70	10025	IC6, 7	SN7474	2.00
R-45	8225	IC8, 9	SN7426	1.50
R-47	1.8k25			
R-51	27025	Inductors		
R-71	3325	L-1	A-219-1 Loading Coil	1.00
R-72	3925	L-2, 14	A-218-1 Choke50
R-75	270k25	L-3	A-509 Choke50
R-74, 75	1 Meg.25	L-4, 6, 7	A-508-1 Coil50
R-78, 101, 102	82025	L-4A, 6-A	A-508-2 Coil50
R-80, SW-1, ¼W, 30%	10k Vol. w/sw	2.00	L-5	A-218-4 Choke50
R-82	2.7k25	L-8, 10	B-501-2 Coil50
R-83	1.5 Meg.25	L-9, 11	B-511 Coil50
R-87, ¼W, 30%	5k Var./Squelch Control	1.50	L-12	A-218-3 Choke50
R-88 - 95	560 ohm25	L-13	B-501-1 Coil50
R-96	2225	L-15, 16	A-205 Choke50
R-100	470k25	L-17	A-218-2 Choke50
R-105, ¼W, 10%	15025	T-1	B-502-2 Coil (tracking) ..	1.50
R-107, ¼W, 10%	2.2 Meg.25	T-2	B-502-1 Coil (tracking) ..	1.50
R-108, ¼W, 10%	47025	T-3, 4, 5	B-217-2 Coil (I.F.)	2.00
R-110, 111	3.3k, 2%25	T-6	B-507 Power Transformer ..	3.50
C-1, 12, 26, 35, 36, 37, 38, 39, 42, 17	Capacitors		Y-1, 8	A-135 Crystal	5.00
C-2, 7, 51	.001mf 20% Disc. Cer.50	FL-1, 3	A-226-1 Crystal Filter ...	10.00
C-3	3.3pf 20% Disc. Cer.50	FL-2	A-226-2 Crystal Filter ...	10.00
C-4, 8, 9	2.2pf 20% Disc. Cer.50	A-235-1	P. C. Board, L.E.D.75
C-5	15pf 10% Disc. Cer.50	SW-2	B-254-1 Man-Scan Switch ..	2.00
C-6, 21	33pf 20% Disc. Cer.50	SW-3-10	GF-124 C. W. Switch75
C-10, 14, 25, 30, 31	27pf 10% Disc. Cer.50	SW-11, 18	A-503-1 Frame, SW	1.00
C-11, 13,	68pf 10% Disc. Cer.50	SW-11, 18	A-504-1 Contact, SW25
C-15	10pf 10% Disc. Cer.50	SW-11, 18	A-505-1 Handle, SW25
C-16	22pf 10% Disc. Cer.50	J-1	1207 Antenna Connector75
C-18, 28	1pf ± .25% Disc. Cer.50	J-2	1200 Antenna Plug75
C-19, 22	6.8pf 5% Disc. Cer.50	PL-1	3512A Ext. Speaker Jack	1.00
C-20, 24, 32, 34, 41, 49	220pf 10% Disc. Cer.50	SO-2, 3	P3304AB Power Conn.	1.00
C-23, 45, 60, 65, 67, 70	470pf 20% Disc. Cer.50		S-3304-FHT-M Socket	1.00
C-27	.01mf 20% 50V Disc. Cer.50		DC Cord Assembly	1.50
C-29	.02mf 20% 50V Disc. Cer.50	SP-1	AC Cord Assembly	1.50
C-33	.02pf 10% Disc. Cer.50		Mobile Mounting Kit	2.00
C-40, 64	5pf 10% Disc. Cer.50		B-248-2 Speaker 3x5	3.00
C-43, 44	100pf 10% Disc. Cer.50		A-138-2 Telescoping Antenna	1.50
C-46, 52, 69	.005mf 20% Disc. Cer.50		B-228-2 Front Panel	\$ 1.75
C-47, 48, 50, 59	.05mf 50V Disc. Cer.50		C-233 Trim	3.00
C-53, 54	.1mf GMV 10V Disc. Cer.50		C-203 Wrap Assembly	7.50
C-55, 56	.1mf 10% 33V Mylar75		A-237 Antenna Bushing ..	.75
C-57, 68	.001mf 10% 33V Mylar75		RB-155-840 Knob75
C-58	.047mf 10% 33V Mylar75			
C-61, 62, 63	2.2mf Solid Al. 20% 6V ..	.75	M1-8	A-259 Light Emmitting Diode	\$1.00
C-66	100mf Lytic 15V	1.00	A264 - 1	Antenna Ground Strap25
C-71	500mf Lytic 10V	1.00			
	2000mf Lytic 20V	1.50			

Replacement parts may be ordered directly from:
 Electra Co. - P. O. Box 29243 - 300 S. County Line Rd. - Cumberland, Ind. 46229
 Cash order for parts will be shipped prepaid.