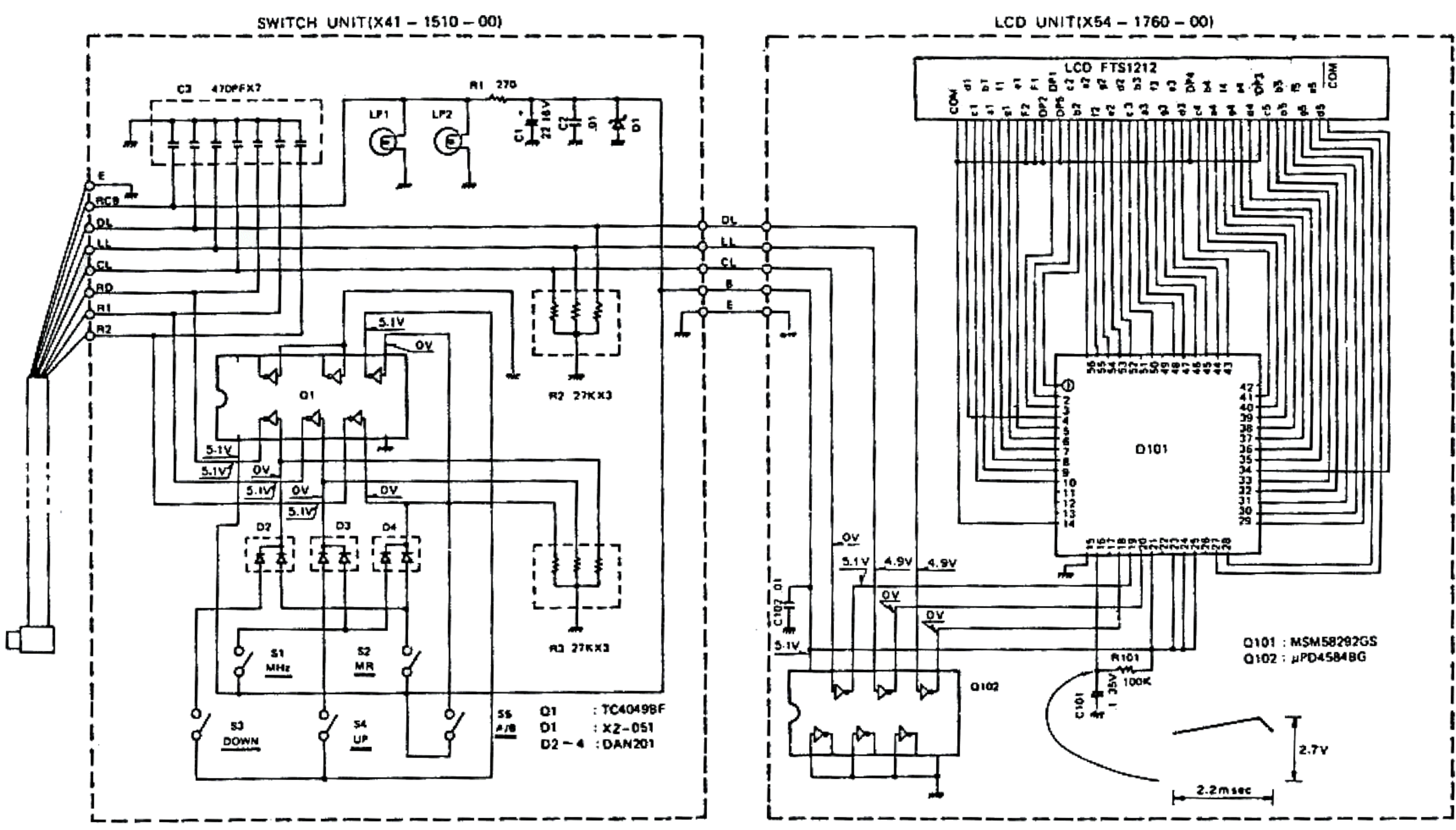
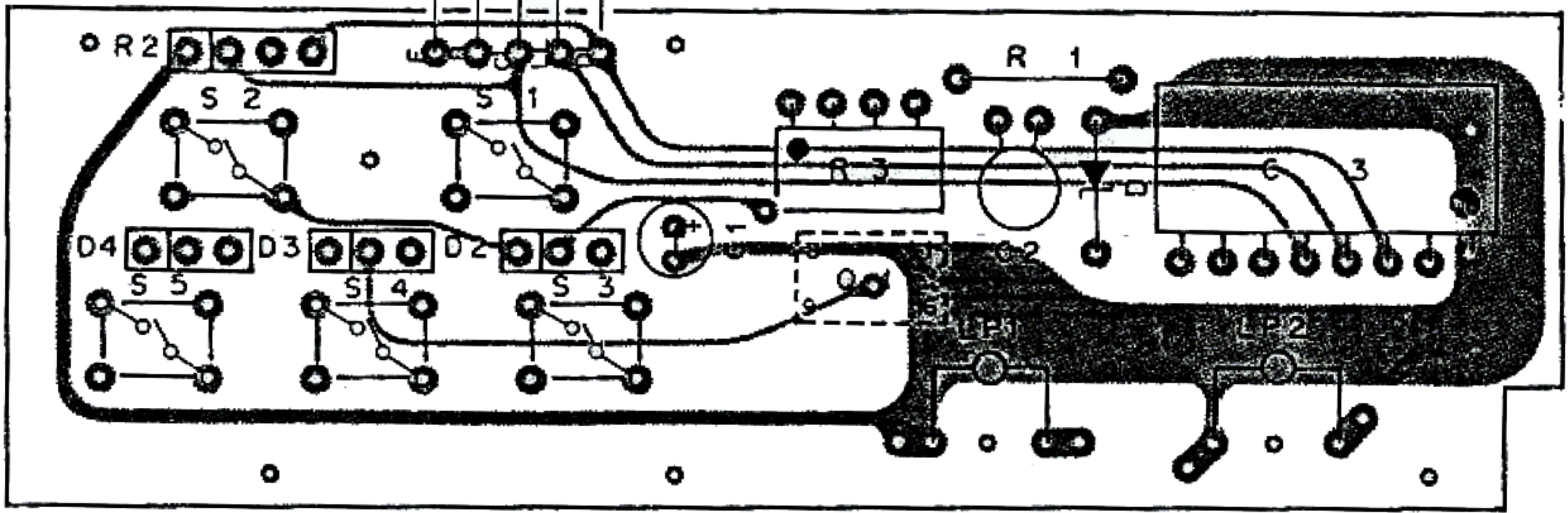
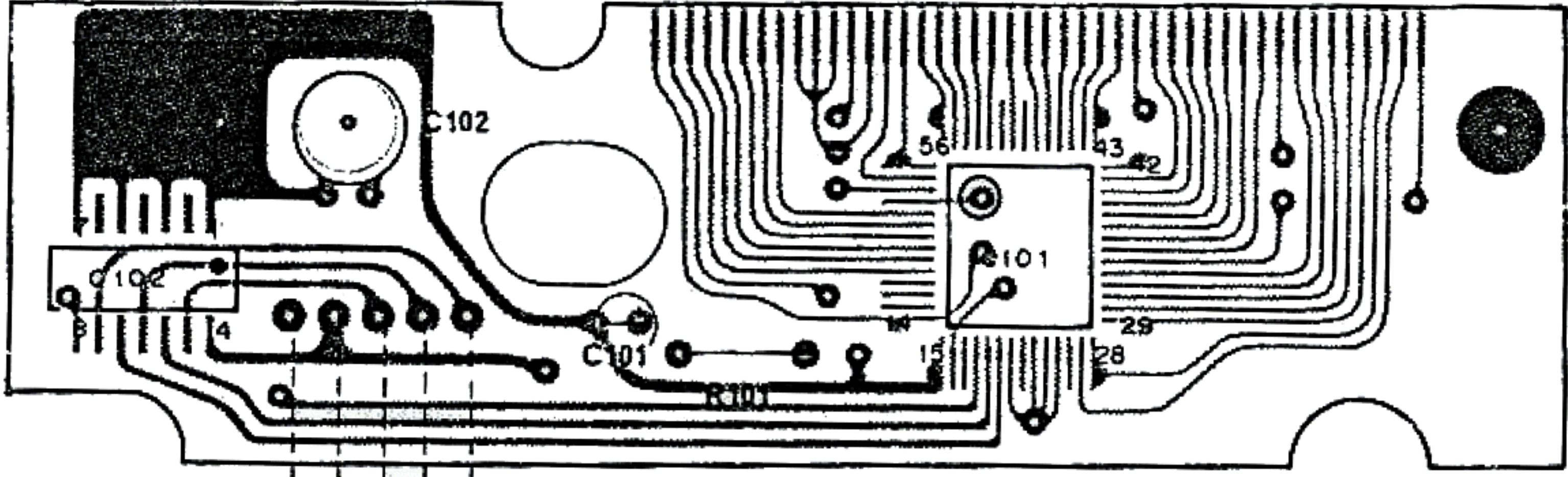


1
2
3
5
6

A B C D

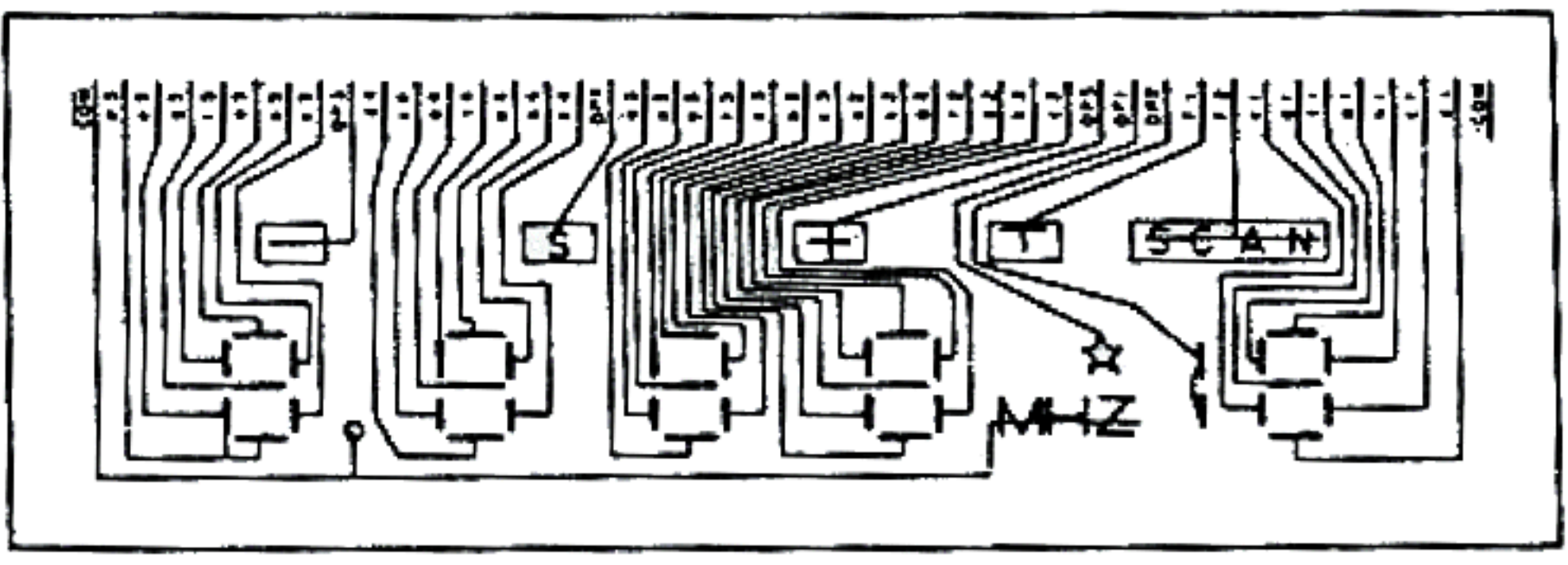


LCD UNIT (X54-1760-00) Component side view

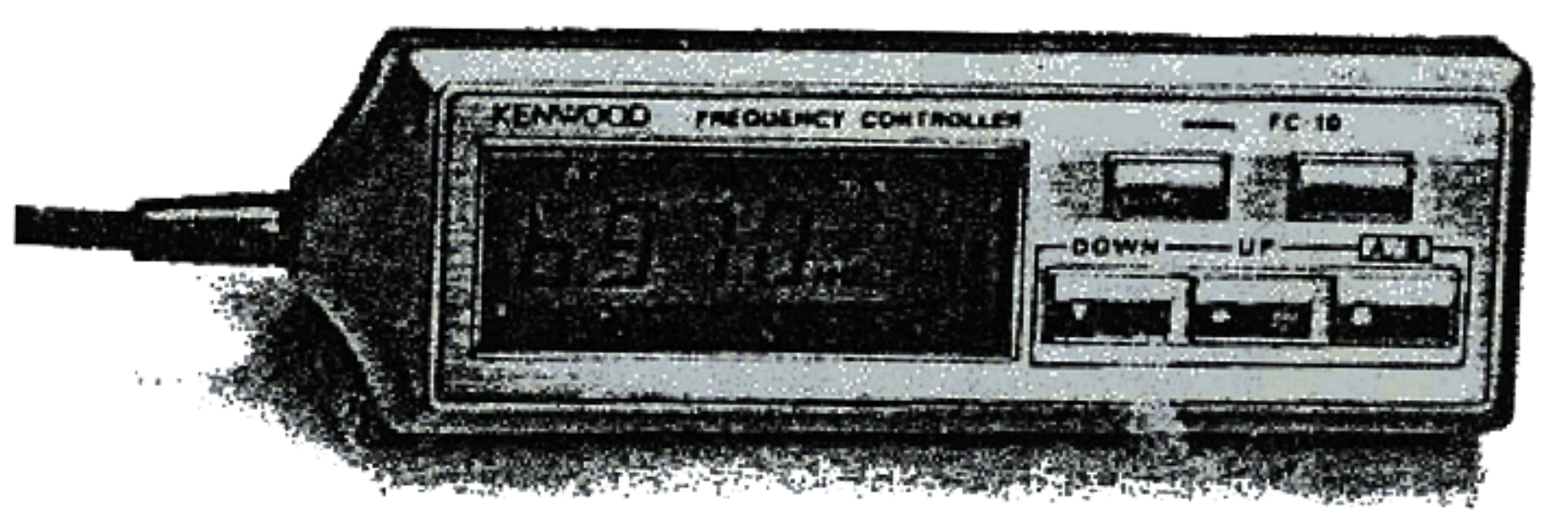


SWITCH UNIT (X41-1510-00) Foil side view

SPECIFICATIONS
 Dimensions: W112mm (4-13/32") x H35mm (1-13/32") x D22.5mm (29/32")
 Weight: 100g
 Cable length: 1.5m



LCD FTS1212



FC-10
KENWOOD