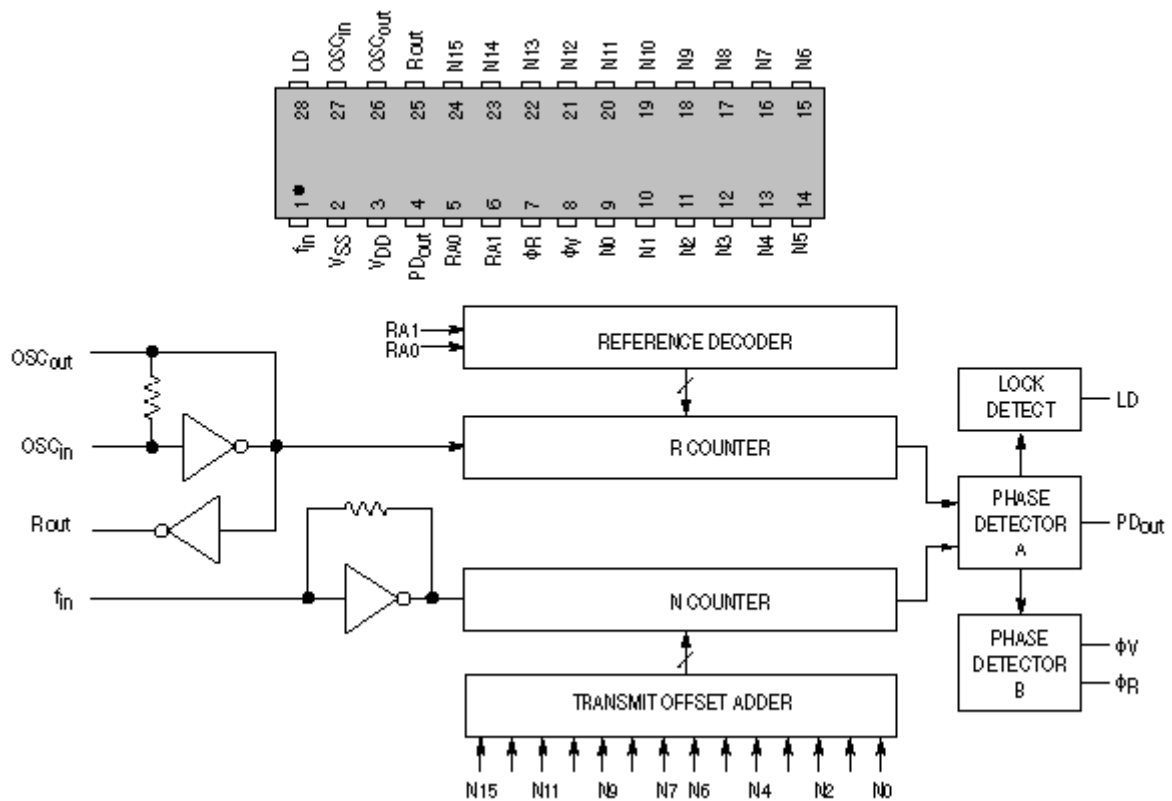


MC145163 PLL Integrated Circuits



The MC145163 is programmed by 16 parallel input data lines for the N counter and 2 input lines for the R counter. The device features consist of a reference oscillator, selectable reference divider, digital phase detector, and 16bit programmable divide by N counter.

- On or OffChip Reference Oscillator Operation
- Lock Detect Signal
- Single Modulus/Parallel Programming
- 4 UserSelectable ÷ R Values: 512, 1024, 2048, 4096
- ÷ N Range = 3 to 9999

www.DataSheetLIST.com

Pin	Name	Description
1	F _{IN}	Frequency input – Max. 30MHz
2	GND	Ground
3	V _{DD}	V+ (5 Volt)
4	PD	Phase Comparator Output
5	RA0	Reference divider Program input 0
6	RA1	Reference divider Program input 1
7	øR	Phase Comparator output
8	øV	Phase Comparator output
9	P0	Program input 0
10	P1	Program input 1
11	P2	Program input 2
12	P3	Program input 3
13	P4	Program input 4
14	P5	Program input 5
15	P6	Program input 6
16	P7	Program input 7
17	P8	Program input 8
18	P9	Program input 9
19	P10	Program input 10
20	P11	Program input 11
21	P12	Program input 12
22	P13	Program input 13
23	P14	Program input 14
24	P15	Program input 15
25	R _{OUT}	Referance Osc. Output
26	RI	Referance Osc. Input
27	RO	Referance Osc. Output
28	L	Loop Detect Output