

# **PRESIDENT**

## **JACKSON II**

### **SERVICE MANUAL**

# **-TECNICAL CHARACTERISTICS**

## **1-GENERAL:**

### **-Multiconfiguration(E,d,EU,EC,U,PL)**

-E ⇒ 40 channels AM/FM 4W-USB/LSB 12WPEP(from 26,965Mhz to 27,405Mhz)

-d ⇒ 80 channels FM 4W (from 26,565Mhz to 27,405Mhz)

40 channels AM 1W-USB/LSB 4WPEP (from 26,965Mhz to 27,405Mhz)

-EU ⇒ 40 channels FM 4W/AM 1W-USB/LSB 4WPEP

(from 26,965Mhz to 27,405Mhz)

-EC ⇒ 40 channels FM 4W (from 26,965Mhz to 27,405Mhz)

-U ⇒ 40 channels FM 4W (from 26,965Mhz to 27,405Mhz)

40 channels FM 4W (from 27,60125Mhz to 27,99125Mhz)

-PL ⇒ 40 channels AM/FM 4W (from 26,960Mhz to 27,400Mhz)

### **-Channel step**

-10KHz

### **-Class of emission**

-AM(A3E)/FM(F3E)/USB LSB(J3E)

### **-Power supply**

-13,2V (from 10,8V to 15,6V)

### **-Antenna impedance**

-50Ω

### **-Dimensions(in mm)**

-185(W)x264,5(D)x56(H)

### **-Weight**

-1,5Kg

## **2-TRANSMISSION:**

### **-Frequency allowance**

-±300Hz

### **-Transmission interference**

-Inferior to 4nW(-54dBm)

### **-Audio frequency response**

-From 300Hz to 3kHz

### **-Emitted power in the adjacent channel**

-Inferior to 20μW

### **-Microphone sensitivity**

-Inferior to 3mV

### **-Current drain**

-4A(in transmission mode with modulation)

### **-Modulated signal distortion**

-Inferior to 2%

### **3-RECEPTION:**

**-Maximum sensitivity at 20dB sinad**

-0,7 $\mu$ V(-110dBm) AM/0,35 $\mu$ V(-116dBm) FM/0,28 $\mu$ V(-118dBm)USB LSB

**-Audio frequency response**

-From 300Hz to 3kHz

**-Adjacent channel selectivity**

-Superior to 60dB

**-Frequency image rejection**

-Superior to 60dB

**-Intermodulation response**

-Superior to 54dB

**-Maximum audio power**

-3W

**-Squelch sensitivity**

-Threshold 0,2 $\mu$ V(-120dBm)/Tight 1mV(-47dBm)

**-Current drain**

-300mA nominal/500mA maximum

# ALIGNMENT PROCEDURE (JACKSON II)

## \* VCO/PLL PORTION

- Alignment procedure
- Test points
- Frequencies chart

## \* TRANSMITTER

- Alignment procedure
- Test points

## \* RECEIVER

- Alignment procedure
- Test points

## Test equipment required

Frequency counter 200 Mhz	HF Generator
DC Voltmeter & DC Amperemeter	BF Voltmeter
Distortimeter	HF Voltmeter
Wattmeter - Dummy load	Osilloscope
FM linear detector	Load 8 $\Omega$
AF generator	Sinad meter

## Conditions of Measurements on HF Generator

### Reception

AM mode: Level - 107 dBm Frequency 1 KHz with 60% of modulation.  
FM mode: Level - 107 dBm Frequency 1 KHz with 1,2KHz of deviation.  
USB/LSB mode: Level - 107 dBm

### Transmission

Frequency 1 KHz 30mV AM/FM  
Frequency two tones 0,4 KHz 30mV & 2,5KHz 30mV

## ALIGNMENT VCO/PLL

### 1 - Alignment procedure(13,2V;configuration" EU,E,EC,PL,U,d")

STEP	CONDITION	ADJUSTMENT	REMARKS OF ADJUSTMENT
1	AM/FM(EU,E) RX mode Channel 40	L402	Fine + coarse vertical position Connect a voltmeter to TP 1, adjust L402 to reach $2V \pm 0,2V$ .
2	AM/FM(EU,E) RX mode Channel 1		Fine + coarse vertical position Connect a voltmeter to TP 1, and check $1,7V \pm 0,2V$ .
3	AM/FM(EU,E) RX mode Channel 20	L401	Fine + coarse vertical position Connect a frequency counter to TP5, adjust L401 to reach $37,900MHz \pm 20Hz$
4	LSB(EU,E) TX mode Channel 20 Without modulation	L405	Fine + coarse vertical position Connect a frequency counter to TP5, adjust L405 to reach $37,8975MHz \pm 20Hz$
5	USB(EU,E) RX mode Channel 20	L271	Fine + coarse vertical position Connect a frequency counter to TP3, adjust L271 to reach $10,6975MHz \pm 20Hz$
6	LSB(EU,E) RX mode Channel 20	L275	Fine + coarse vertical position Connect a frequency counter to TP3, adjust L275 to reach $10,6925MHz \pm 20Hz$
7	AM/FM(EU,E) TX mode Channel 20 Without modulation	L273	Fine + coarse vertical position. Connect a frequency counter to the dummy load, adjust L273 to reach $27,205MHz \pm 20Hz$
8	AM/FM RX mode (EU,E,EC,PL,U,d)		Fine + coarse vertical position Connect a frequency counter to TP5, and check with the frequency list

**- FREQUENCY LIST (EU,E.EC)**

CH	Channels Frequencies (MHz)	VCO(TP5) Frequencies (MHz)
1	26,965	37,660
2	26,975	37,670
3	26,985	37,680
4	27,005	37,700
5	27,015	37,710
6	27,025	37,720
7	27,035	37,730
8	27,055	37,750
9	27,065	37,760
10	27,075	37,770
11	27,085	37,780
12	27,105	37,800
13	27,115	37,810
14	27,125	37,820
15	27,135	37,830
16	27,155	37,850
17	27,165	37,860
18	27,175	37,870
19	27,185	37,880
20	27,205	37,900
21	27,215	37,910
22	27,225	37,930
23	27,255	37,950
24	27,235	37,930
25	27,245	37,940
26	27,265	37,960
27	27,275	37,970
28	27,285	37,980
29	27,295	37,990
30	27,305	38,000
31	27,315	38,010
32	27,325	38,020
33	27,335	38,030
34	27,345	38,040
35	27,355	38,050
36	27,365	38,060
37	27,375	38,070
38	27,385	38,080
39	27,395	38,090
40	27,405	38,100

**- FREQUENCY LIST (PL)**

CH	Channels Frequencies (MHz)	VCO(TP5) Frequencies (MHz)
1	26,960	37,655
2	26,970	37,665
3	26,980	37,675
4	27,000	37,695
5	27,010	37,705
6	27,020	37,715
7	27,030	37,725
8	27,050	37,745
9	27,060	37,755
10	27,070	37,765
11	27,080	37,775
12	27,100	37,795
13	27,110	37,805
14	27,120	37,815
15	27,130	37,825
16	27,150	37,845
17	27,160	37,855
18	27,170	37,865
19	27,180	37,875
20	27,200	37,895
21	27,210	37,905
22	27,220	37,915
23	27,250	37,945
24	27,230	37,925
25	27,240	37,935
26	27,260	37,955
27	27,270	37,965
28	27,280	37,975
29	27,290	37,985
30	27,300	37,995
31	27,310	38,005
32	27,320	38,015
33	27,330	38,025
34	27,340	38,035
35	27,350	38,045
36	27,360	38,055
37	27,370	38,065
38	27,380	38,075
39	27,390	38,085
40	27,400	38,095

**- FREQUENCY LIST (U)**

CH CEPT	Channels Frequencies (MHz)	VCO(TP5) Frequencies (MHz)
1	26,965	37,660
2	26,975	37,670
3	26,985	37,680
4	27,005	37,700
5	27,015	37,710
6	27,025	37,720
7	27,035	37,730
8	27,055	37,750
9	27,065	37,760
10	27,075	37,770
11	27,085	37,780
12	27,105	37,800
13	27,115	37,810
14	27,125	37,820
15	27,135	37,830
16	27,155	37,850
17	27,165	37,860
18	27,175	37,870
19	27,185	37,880
20	27,205	37,900
21	27,215	37,910
22	27,225	37,930
23	27,255	37,950
24	27,235	37,930
25	27,245	37,940
26	27,265	37,960
27	27,275	37,970
28	27,285	37,980
29	27,295	37,990
30	27,305	38,000
31	27,315	38,010
32	27,325	38,020
33	27,335	38,030
34	27,345	38,040
35	27,355	38,050
36	27,365	38,060
37	27,375	38,070
38	27,385	38,080
39	27,395	38,090
40	27,405	38,100



**- FREQUENCY LIST (U)**

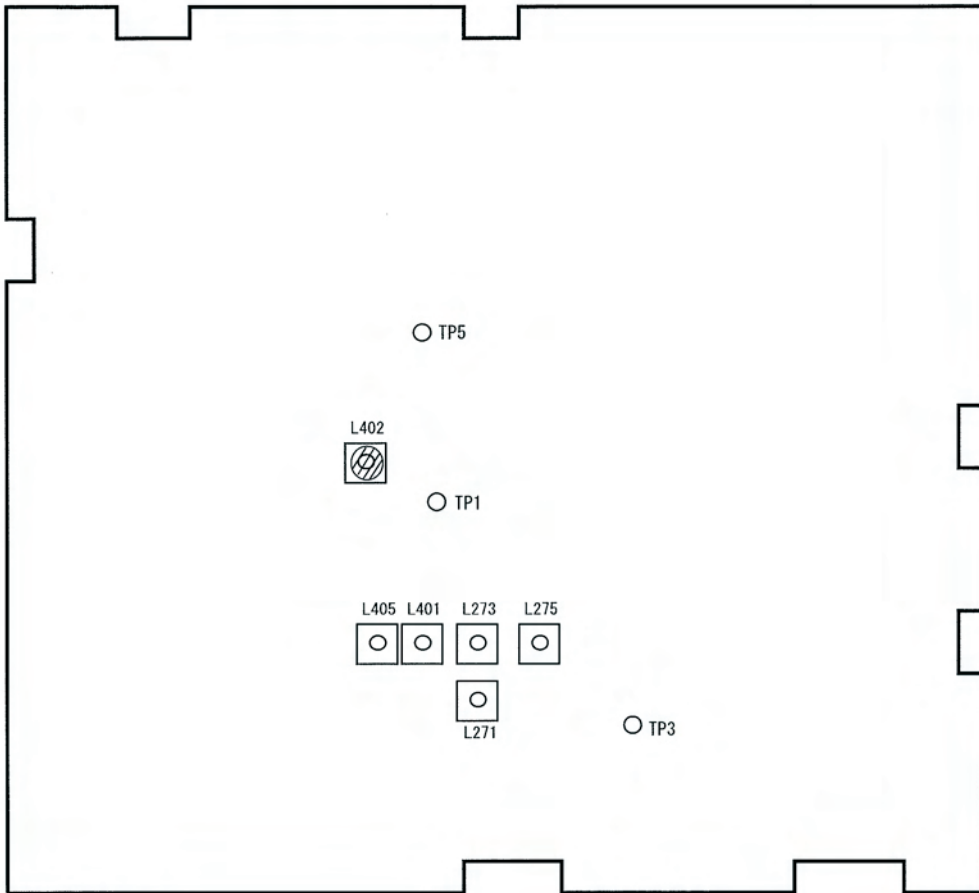
CH ENG	Channels Frequencies (MHz)	VCO(TP5) Frequencies (MHz)
1	27,60125	38,29625
2	27,61125	38,30625
3	27,62125	38,31625
4	27,63125	38,32625
5	27,64125	38,33625
6	27,65125	38,34625
7	27,66125	38,35625
8	27,67125	38,36625
9	27,68125	38,37625
10	27,69125	38,38625
11	27,70125	38,39625
12	27,71125	38,40625
13	27,72125	38,41625
14	27,73125	38,42625
15	27,74125	38,43625
16	27,75125	38,44625
17	27,76125	38,45625
18	27,77125	38,46625
19	27,78125	38,47625
20	27,79125	38,48625
21	27,80125	38,49625
22	27,81125	38,50625
23	27,82125	38,51625
24	27,83125	38,52625
25	27,84125	38,53625
26	27,85125	38,54625
27	27,86125	38,55625
28	27,87125	38,56625
29	27,88125	38,57625
30	27,89125	38,58625
31	27,90125	38,59625
32	27,91125	38,60625
33	27,92125	38,61625
34	27,93125	38,62625
35	27,94125	38,63625
36	27,95125	38,64625
37	27,96125	38,65625
38	27,97125	38,66625
39	27,98125	38,67625
40	27,99125	38,68625

**- FREQUENCY LIST (d)**

CH	Channels	VCO(TP5)	CH	Channels	VCO(TP5)
d	Frequencies (MHz)	Frequencies (MHz)	D	Frequencies (MHz)	Frequencies (MHz)
1	26,965	37,660	41	26,565	37,260
2	26,975	37,670	42	26,575	37,270
3	26,985	37,680	43	26,585	37,280
4	27,005	37,70	44	26,595	37,290
5	27,015	37,710	45	26,605	37,300
6	27,025	37,720	46	26,615	37,310
7	27,035	37,730	47	26,625	37,320
8	27,055	37,750	48	26,635	37,330
9	27,065	37,760	49	26,645	37,340
10	27,075	37,770	50	26,655	37,350
11	27,085	37,780	51	26,665	37,360
12	27,105	37,800	52	26,675	37,370
13	27,115	37,810	53	26,685	37,380
14	27,125	37,820	54	26,695	37,390
15	27,135	37,830	55	26,705	37,400
16	27,155	37,850	56	26,715	37,410
17	27,165	37,860	57	26,725	37,420
18	27,175	37,870	58	26,735	37,430
19	27,185	37,880	59	26,745	37,440
20	27,205	37,900	60	26,755	37,450
21	27,215	37,910	61	26,765	37,460
22	27,225	37,930	62	26,775	37,470
23	27,255	37,950	63	26,785	37,480
24	27,235	37,930	64	26,795	37,490
25	27,245	37,940	65	26,805	37,500
26	27,265	37,960	66	26,815	37,510
27	27,275	37,970	67	26,825	37,520
28	27,285	37,980	68	26,835	37,530
29	27,295	37,990	69	26,845	37,540
30	27,305	38,000	70	26,855	37,550
31	27,315	38,010	71	26,865	37,560
32	27,325	38,020	72	26,875	37,570
33	27,335	38,030	73	26,885	37,580
34	27,345	38,040	74	26,895	37,590
35	27,355	38,050	75	26,905	37,600
36	27,365	38,060	76	26,915	37,610
37	27,375	38,070	77	26,925	37,620
38	27,385	38,080	78	26,935	37,630
39	27,395	38,090	79	26,945	37,640
40	27,405	38,100	80	26,955	37,650

# ALIGNMENT VCO/PLL

B1 PB-351 (TOP VIEW)



 AFTER COMPLETION , APPLY PARAFFIN WAX ON L402.

# ALIGNMENT TRANSMITTER

## 1 - Alignment procedure(13,2V;configuration'EU,E')

-Connect a DC amperemeter between the power supply and the transceiver.

STEP	CONDITION	ADJUSTMENT	REMARKS OF ADJUSTMENT
1	FM(E) Channel 20 TX mode without modulation (Mic gain volume:CCW) L211 unsoldered	RT201(A) RT204(V)	Adjust RT201 for $1,9A \pm 0,2A$ first then adjust RT204 DC voltage to $12V \pm 0,1V$ . (Voltmeter connected to TP201(R229))
2	USB(E) Channel 20 TX mode without modulation (Mic gain volume:CCW) L211 unsoldered	RT213(A)	Adjust RT213 for $1,6A \pm 0,2A$ .
3	USB(EU) Channel 20 TX mode without modulation (Mic gain volume:CCW) L211 unsoldered	RT210(A)	Adjust RT210 for $1A \pm 0,2A$ .

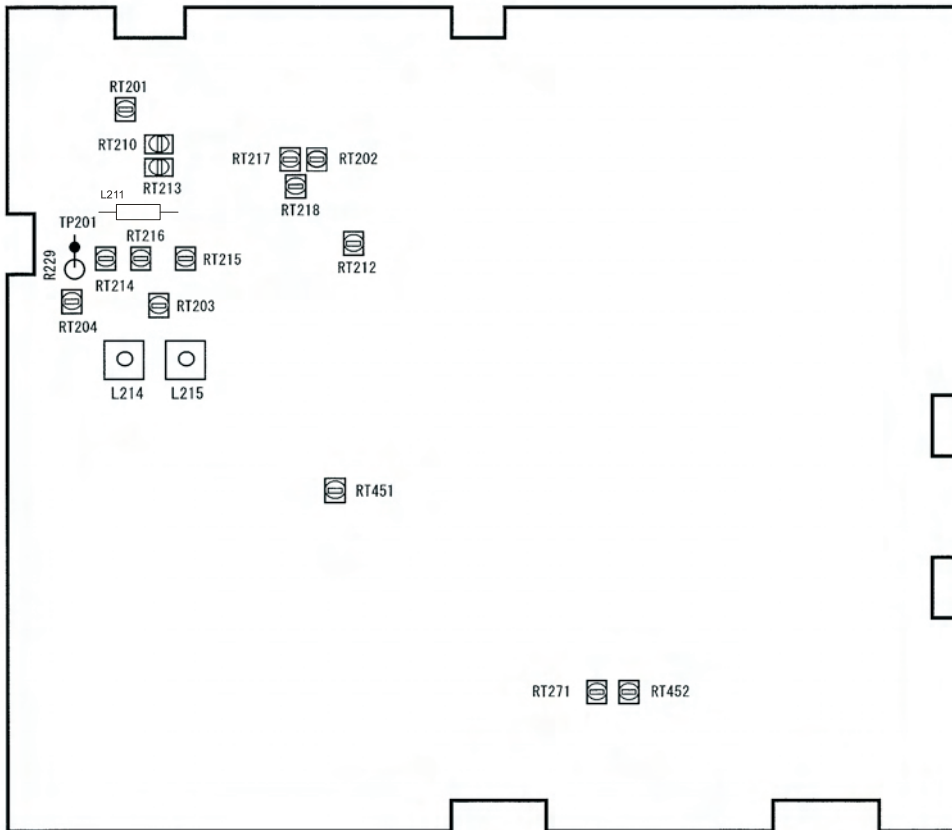
STEP	CONDITION	ADJUSTMENT	REMARKS OF ADJUSTMENT
4	USB(EU) Channel 20 TX mode with modulation (Mic gain volume: CW) 0,4KHz&2,5KHz (1,5mV RMS) L211 resoldered	L214 L215	Rotate L214 core C.W max, before alignment. Adjust L215 first then L214 to the maximum reading on the RF power meter.
5	USB(E) Channel 20 TX mode without modulation (Mic gain volume: CCW) L211 resoldered	RT271	Adjust RT271 for the RF level to be minimize.
6	USB(E) Channel 20 TX mode with modulation (Mic gain volume: CW) 0,4KHz&2,5KHz (30mV RMS) L211 resoldered	RT217	Adjust RT217 to reach 11W <sub>pep</sub> ± 0,5W on the RF power meter.
7	USB(EU) Channel 20 TX mode with modulation (Mic gain volume: CW) 0,4KHz&2,5KHz (30mV RMS) L211 resoldered	RT218	Adjust RT218 to reach 3,8W <sub>pep</sub> ± 0,2W on the RF power meter.

STEP	CONDITION	ADJUSTMENT	REMARKS OF ADJUSTMENT
8	USB(Ru) Channel 20 TX mode with modulation (Mic gain volume: CW) 0,4KHz&2,5KHz (30mV RMS) L211 resoldered	RT 202	Adjust RT202 to reach 24W <sub>pep</sub> ± 0,5W on the RF power meter.
9	AM/FM(E) Channel 20 TX mode without modulation (Mic gain volume: CCW) (RF power volume: CW) L211 resoldered	RT216	Adjust RT216 to reach 3,8W ± 0,2W on the RF power meter.
10	AM (EU) Channel 20 TX mode without modulation (Mic gain volume: CCW) (RF power volume: CW) L211 resoldered	RT215	Adjust RT215 to reach 0,9W ± 0,05W on the RF power meter.
11	AM/FM (Ru) Channel 20 TX mode without modulation (Mic gain volume: CCW) (RF power volume: CW) L211 resoldered	RT214	Adjust RT214 to reach 10,5W ± 0,5W on the RF power meter.

STEP	CONDITION	ADJUSTMENT	REMARKS OF ADJUSTMENT
12	AM (E) Channel 20 TX mode with modulation 1KHz (30mV RMS) (Mic gain volume:CW) (RF power volume:CW) L211 resoldered	RT203 RT452	Adjust RT203 to maximum of modulation first. Then adjust RT452 to reach 90% ± 3%. Then adjust RT203 to reach 88% ± 3% of modulation.
13	FM (E) Channel 20 TX mode with modulation 2KHz (30mV RMS) (Mic gain volume:CW) (RF power volume:CW) L211 resoldered	RT451	Adjust RT451 to reach ±2KHz ± 0,1KHz of deviation.
14	FM (E) Channel 20 TX mode without modulation (Mic gain volume:CCW) (RF power volume:CW) L211 resoldered Meter switch to S/RF position	RT212	Adjust RT212 to reach S9 on the RF meter.

# ALIGNMENT TRANSMITTER

B1 PB-351 (TOP VIEW)





# ALIGNMENT RECEIVER

## 1 - Alignment procedure(13,2V;configuration"EU,E,d")

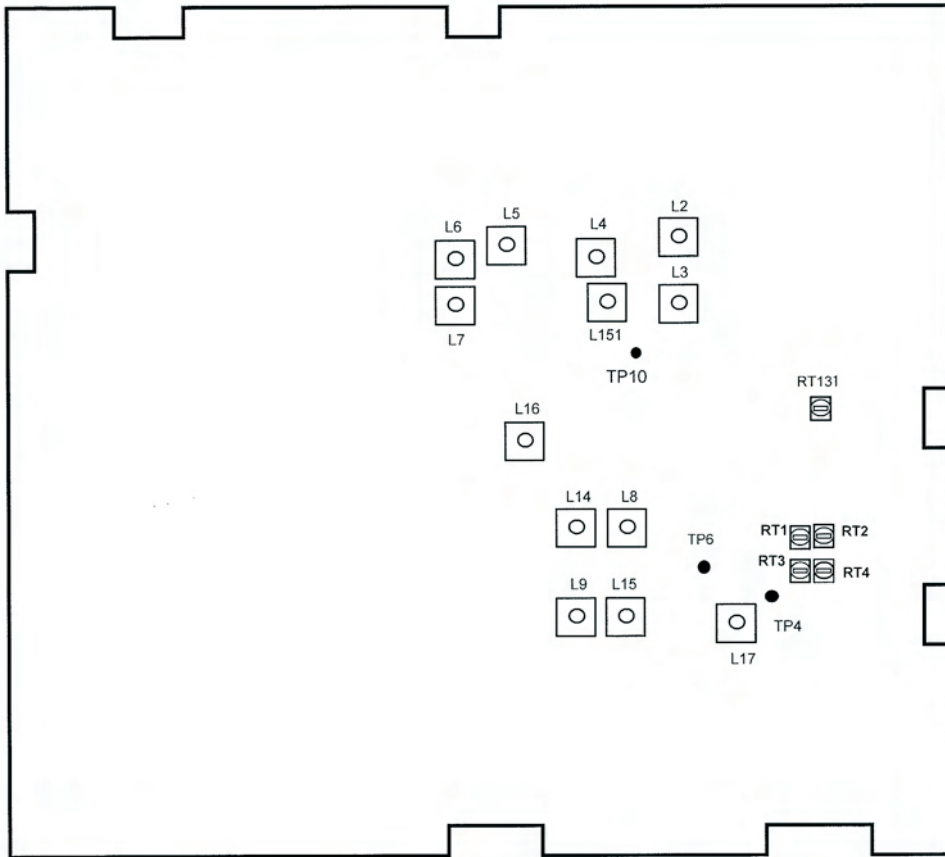
STEP	CONDITION	ADJUSTMENT	REMARKS OF ADJUSTMENT
1	AM(EU,E) Channel 20 Middle volume level. No squelch active RF gain volume :CW Fine Coarse :Center NB/ANL/HICUT :OFF	L2-L3-L4-L5-L6 L7-L16-L14-L15	Connect HF generator(27,205MHz) to jack antenna adjusted at (-107dBm 1KHz 60%), connect sinad meter to jack EXT speaker and adjust coils (L4first, L3, L2, L5, L6, L7, L16, L14, L15last) for maximum sensitivity( ≥ 20dB sinad).
2	USB(EU,E) Channel 20 Middle volume level. No squelch active RF gain volume :CW Fine Coarse :Center NB/ANL/HICUT :OFF	L 8-L9	Connect HF generator(27,206MHz) to jack antenna adjusted at (-107dBm no modulation), connect sinad meter to jack EXT speaker and adjust L8, L9 for maximum sensitivity( ≥ 20dB sinad).
3	FM(EU,E) Channel 20 Middle volume level. No squelch active RF gain volume :CW Fine Coarse :Center NB/ANL/HICUT :OFF	L17	Connect HF generator(27,205MHz) to jack antenna adjusted at (-107dBm 1KHz 1,2KHz Dev) . Connect a DC voltmeter to TP6 and adjust L17 until required voltage is attained: 3,4V ± 0,1VDC.
4	FM (EU,E) Channel 20 Middle volume level. Squelch control: CW RF gain volume :CW Fine Coarse : Center NB/ANL/HICUT :OFF	RT1(SQ)	Connect HF generator(27,205MHz) to jack antenna adjusted at (-49dBm 1KHz 1,2KHz Dev) and adjust RT1 CW direction so that the signal is audible .

STEP	CONDITION	ADJUSTMENT	REMARKS OF ADJUSTMENT
5	USB (EU,E) Channel 20 Middle volume level. Squelch control: CW RF gain volume :CW Fine Coarse : Center NB/ANL/HICUT :OFF	RT2(SQ)	Connect HF generator(27,206MHz) to jack antenna adjusted at ( -47dBm no modulation) and adjust RT2 CW direction so that the signal is audible .
6	AM (EU,E) Channel 20 Middle volume level. Squelch control: CCW ASC ON RF gain volume :CW Fine Coarse : Center NB/ANL/HICUT :OFF	RT131	Connect HF generator(27,205MHz) to jack antenna adjusted at ( -113dBm 1KHz 60%) and adjust RT131 CW direction so that the signal is audible.
7	AM (EU,E) Channel 20 Middle volume level. No squelch active RF gain volume :CW Fine Coarse : Center NB/ANL/HICUT :OFF	RT4	Connect HF generator(27,205MHz) to jack antenna adjusted at ( -73dBm no modulation) and adjust RT4 to reach S9 on the RF meter.
8	USB (EU,E) Channel 20 Middle volume level. No squelch active RF gain volume :CW Fine Coarse : Center NB/ANL/HICUT :OFF	RT3	Connect HF generator(27,206MHz) to jack antenna adjusted at ( -73dBm no modulation) and adjust RT3 to reach S9 on the RF meter.

STEP	CONDITION	ADJUSTMENT	REMARKS OF ADJUSTMENT
9	USB (EU,E) Channel 20 Middle volume level. No squelch active RF gain volume :CW Fine Coarse : Center NB/ANL:ON	L151	Connect HF generator(27,216MHz) to jack antenna adjusted at (-90dBm no modulation). Connect a DC voltmeter to TP10) and adjust L151 to obtain maximum voltage. At this time, reduce SSG output by the continues condition of adjustment and adjust L151 to peak.

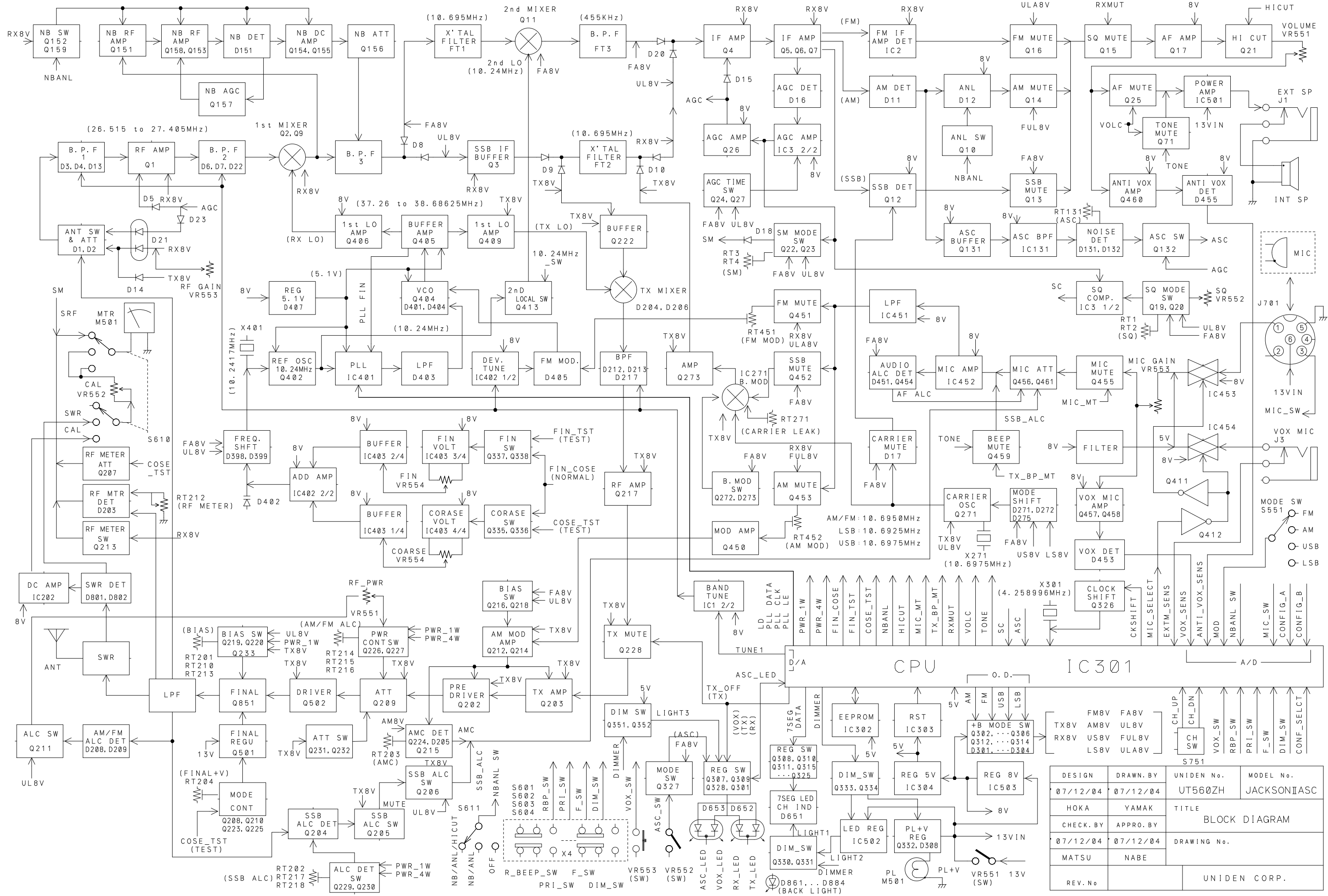
# RECEIVER ALIGNMENT

B1 PB-351 (TOP VIEW)

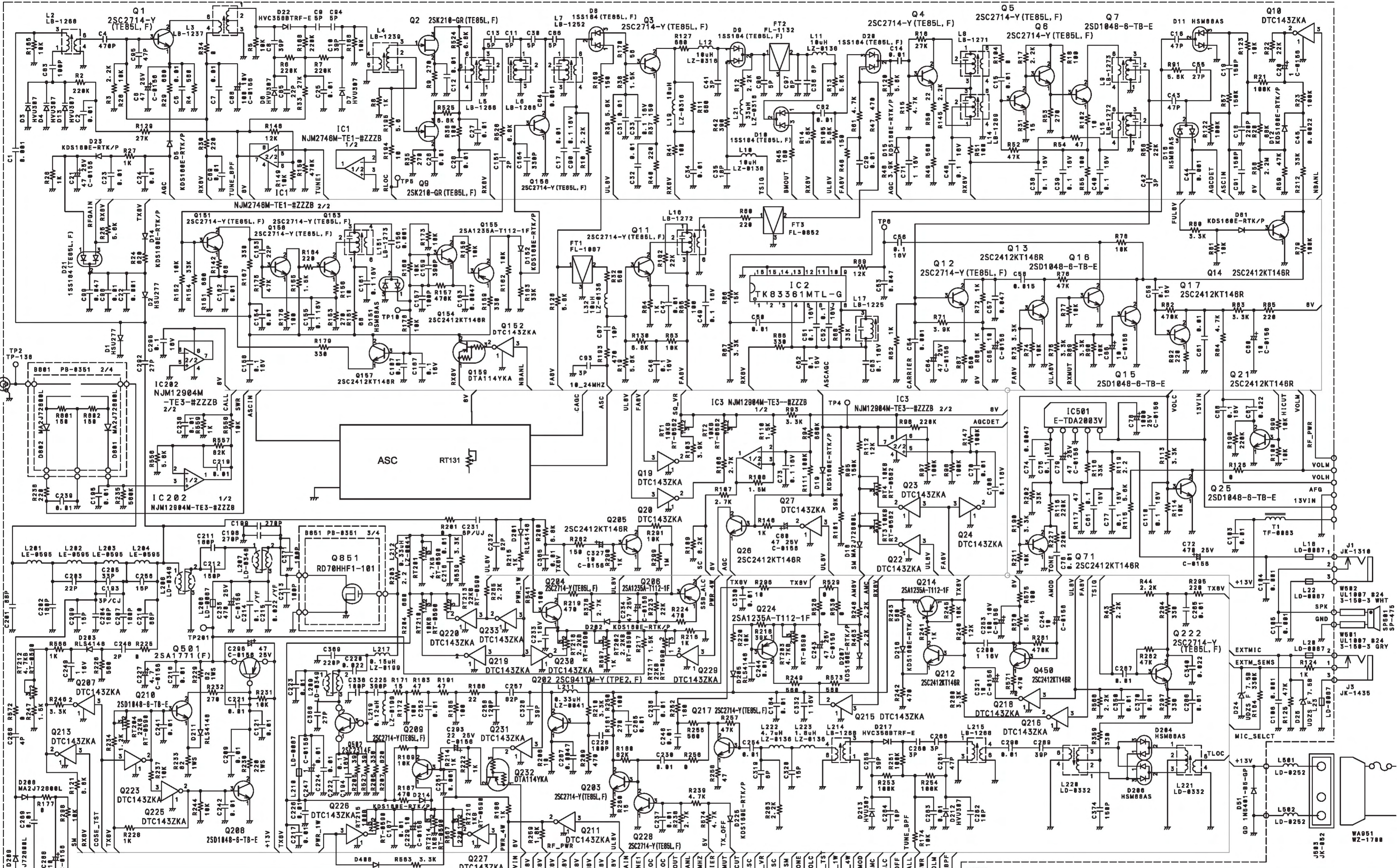


# **JACKSON II**

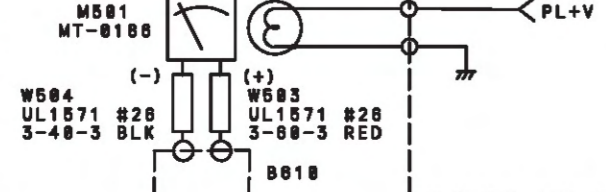
- BLOC DIAGRAM**
- SCHEMATIC DIAGRAM**
- COMPONENT LAYOUT**



DESIGN	07/12/04	DRAWN BY	07/12/04	UNIDEN No.	UT560ZH	MODEL No.	JACKSONIASC
HOKA		YAMAK		TITLE			
CHECK BY	07/12/04	APPRO BY	07/12/04	BLOCK DIAGRAM			
MATSU		NABE		DRAWING No.			
REV. No				UNIDEN CORP.			

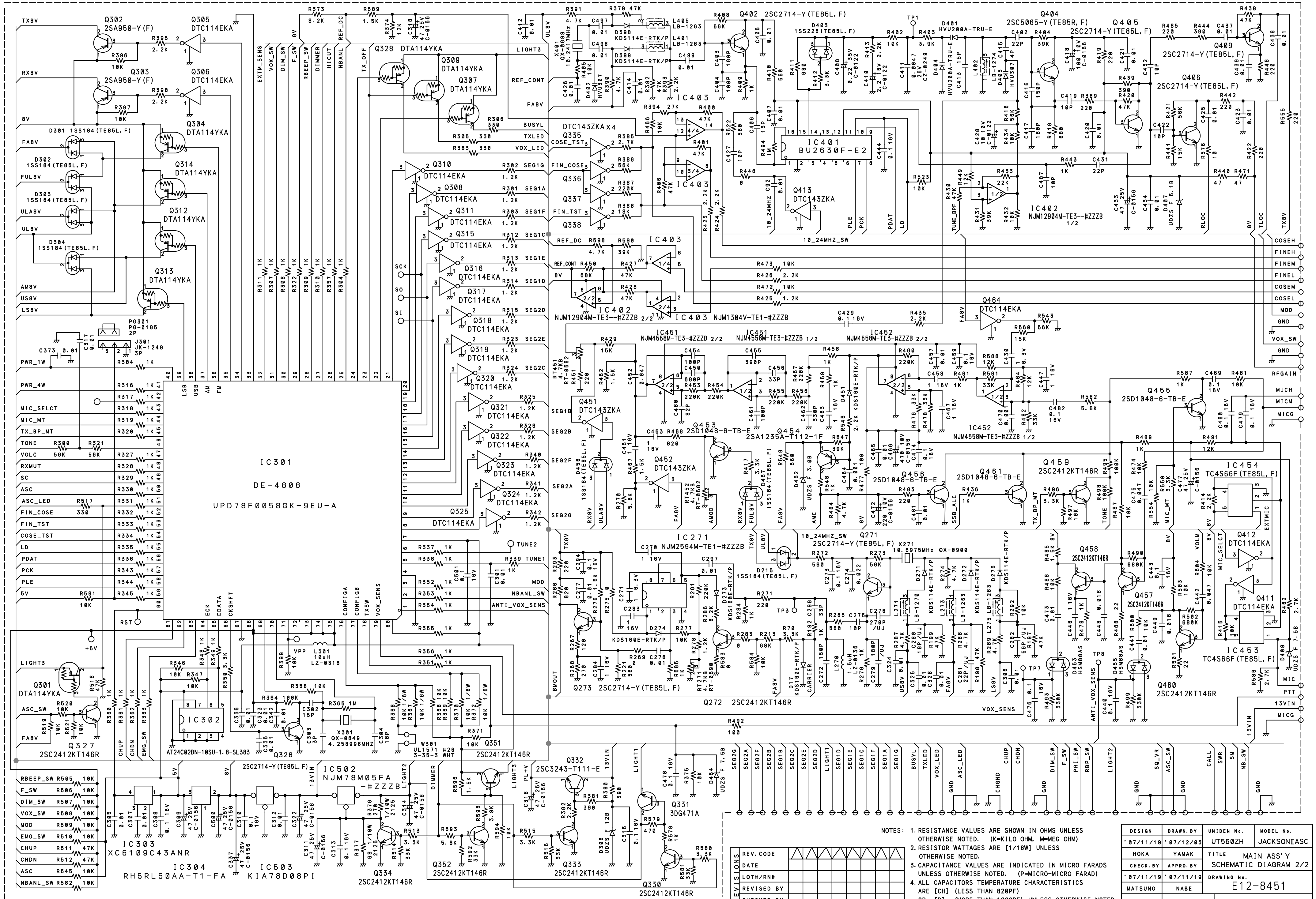


REV. NO.	REV. CODE	DATE	LOT#/R/NH	REVISED BY	CHECKED BY



- NOTES:
1. RESISTANCE VALUES ARE SHOWN IN OHMS UNLESS OTHERWISE NOTED. (K=KILLO OHM, M=MEG OHM)
  2. RESISTOR WATTAGES ARE [1/16W] UNLESS OTHERWISE NOTED.
  3. CAPACITANCE VALUES ARE INDICATED IN MICRO FARADS UNLESS OTHERWISE NOTED. (P=MICRO-MICRO FARAD)
  4. ALL CAPACITORS TEMPERATURE CHARACTERISTICS ARE [CH] (LESS THAN 820PF) OR [B] (MORE THAN 1000PF) UNLESS OTHERWISE NOTED.
  5. ALL CAPACITORS ARE 50V UNLESS OTHERWISE NOTED.

DESIGN	DRAWN BY	UNIDEN No.	MODEL No.
'07/11/18	'07/12/18/3	UT560ZH	JACKSON/JASC
CHECK BY	APPRO. BY	TITLE	
'07/11/18	'07/11/18	SCHEMATIC DIAGRAM 1/2	
MATSUNO	NABE	DRAWING No.	E12-8450
REV. No		UNIDEN CORP.	



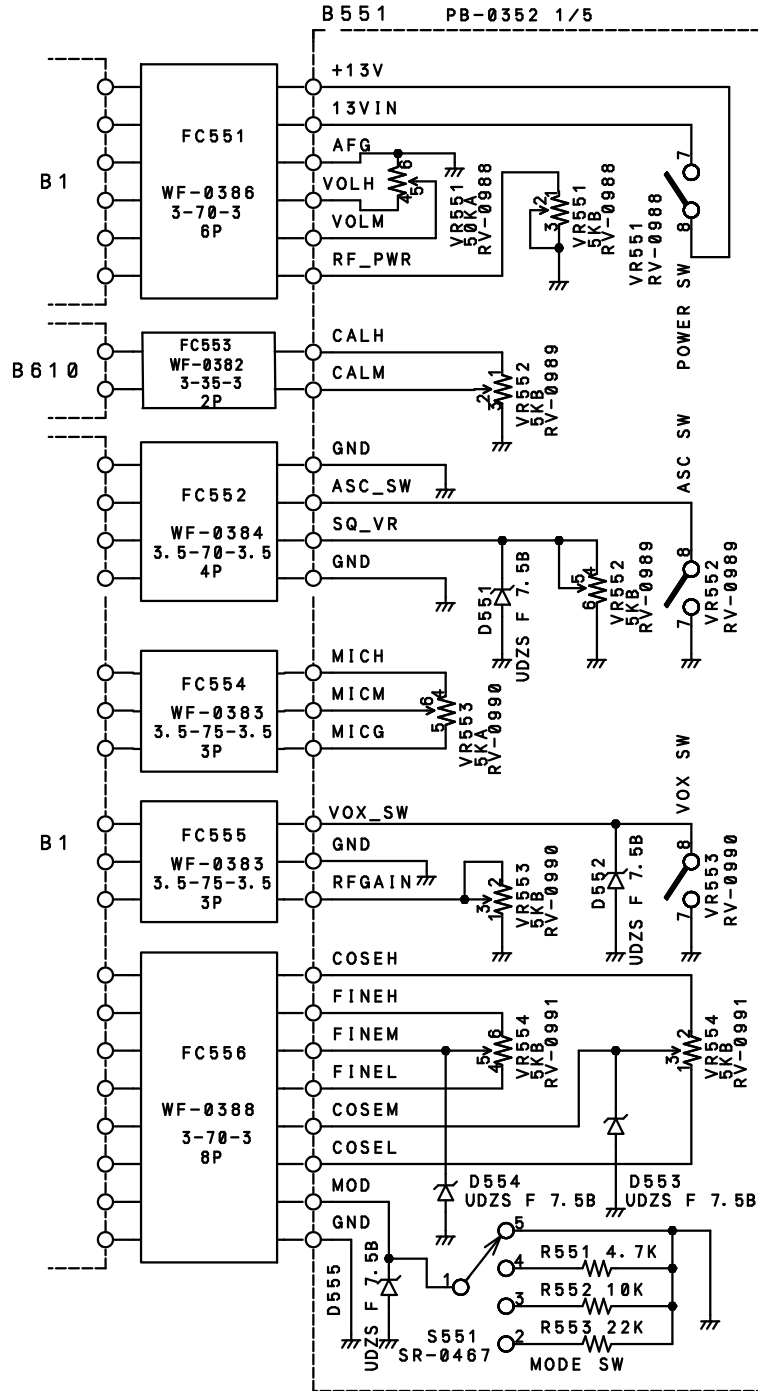
NOTES: 1. RESISTANCE VALUES ARE SHOWN IN OHMS UNLESS OTHERWISE NOTED. (K=KILO OHM, M=MEG OHM)  
 2. RESISTOR WATTAGES ARE [1/16W] UNLESS OTHERWISE NOTED.  
 3. CAPACITANCE VALUES ARE INDICATED IN MICRO FARADS UNLESS OTHERWISE NOTED. (P=MICRO-MICRO FARAD)  
 4. ALL CAPACITORS TEMPERATURE CHARACTERISTICS ARE [CH] (LESS THAN 820PF) OR [B] (MORE THAN 1000PF) UNLESS OTHERWISE NOTED.  
 5. ALL CAPACITORS ARE 50V UNLESS OTHERWISE NOTED.

DESIGN	DRAWN BY	UNIDEN No.	MODEL No.
'07/11/19	'07/12/03	UT560ZH	JACKSONIASC
HOKA	YAMAK	TITLE	MAIN ASS'Y
CHECK BY	APPRO BY	SCHEMATIC DIAGRAM 2/2	
'07/11/19	'07/11/19	DRAWING No.	E12-8451
MATSUMO	NABE	REV. No	UNIDEN CORP.

REV. CODE	
DATE	
LOT#/#	
REVISED BY	
CHECKED BY	



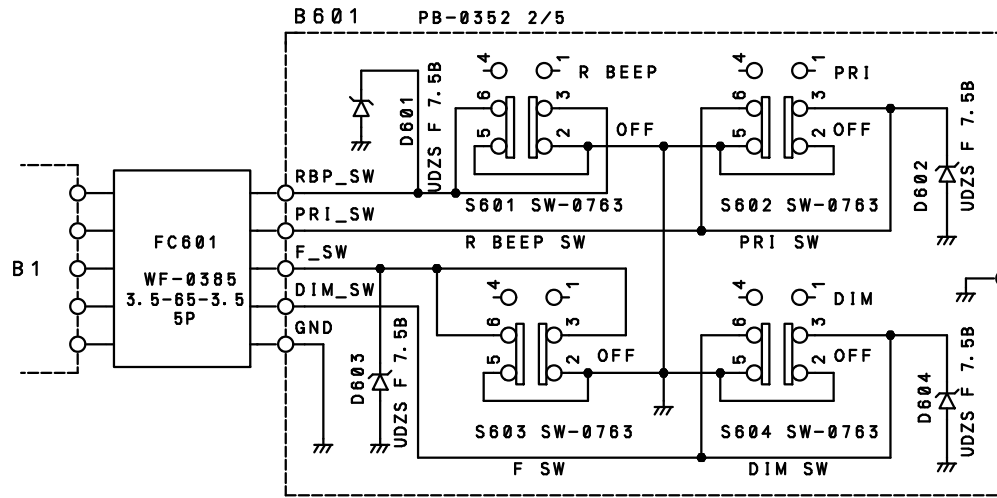
REV. CODE																				
DATE																				
LOT#/RN#																				
REVISED BY																				
CHECKED BY																				
REVISIONS																				



NOTES:

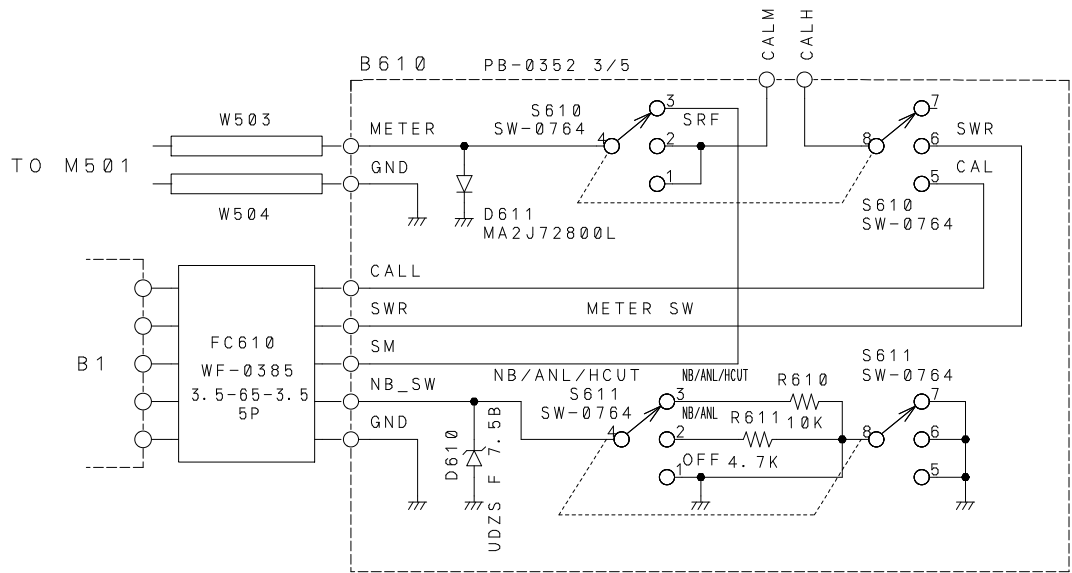
1. RESISTANCE VALUES ARE SHOWN IN OHMS UNLESS OTHERWISE NOTED. (K=KILO OHM, M=MEG OHM)
2. RESISTOR WATTAGES ARE [1/16W] UNLESS OTHERWISE NOTED.

DESIGN	DRAWN BY	UNIDEN No.	MODEL No.
' 07/11/19	' 07/11/19	UT560ZH	JACKSONIASC
HOKA	YAMAK	TITLE VOL SW ASS'Y	
CHECK BY	APPRO BY	SCHEMATIC DIAGRAM	
' 07/11/19	' 07/11/19	DRAWING No.	
MATSUNO	NABE	E14-8452	
REV. No		UNIDEN CORP.	



REVISIONS	REV. CODE	△	△	△	△	△	△	△	△	△	△	△	△	△	△	△	△	△	△
	DATE																		
	LOT#/RN#																		
	REVISED BY																		
	CHECKED BY																		

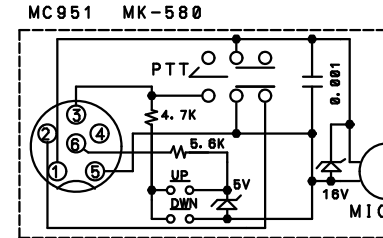
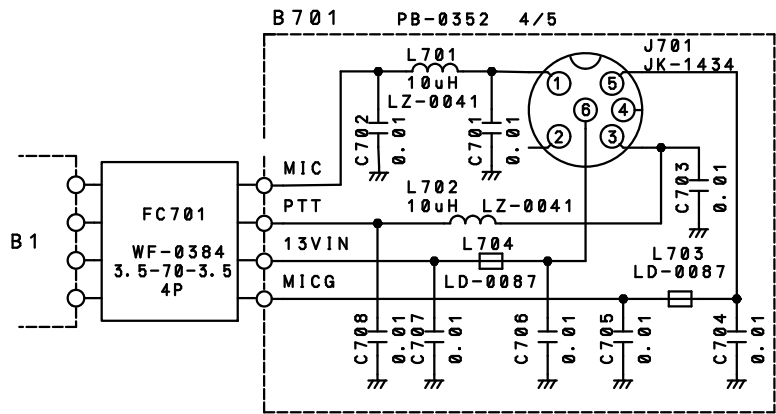
DESIGN	DRAWN. BY	UNIDEN No.	MODEL No.
' 07/11/19	' 07/11/19	UT560ZH	JACKSONIASC
HOKA	YAMAK	TITLE      SW ASS' Y	
CHECK. BY	APPRO. BY	SCHEMATIC DIAGRAM	
' 07/11/19	' 07/11/19	DRAWING No.	
MATSUNO	NABE	E14-8453	
REV. No		UNIDEN CORP.	



- NOTES:
1. RESISTANCE VALUES ARE SHOWN IN OHMS UNLESS OTHERWISE NOTED. (K=KILO OHM, M=MEG OHM)
  2. RESISTOR WATTAGES ARE [1/16W] UNLESS OTHERWISE NOTED.

REVISIONS	REV. CODE	△	△	△	△	△	△	△	△	△	△	△	△	△	△	△	△
	DATE																
	LOT#/RN#																
	REVISED BY																
	CHECKED BY																

DESIGN	DRAWN. BY	UNIDEN No.	MODEL No.
'07/11/19	'07/11/19	UT560ZH	JACKSONIASC
HOKA	YAMAK	TITLE NB MTR SW ASS'Y	
CHECK. BY	APPRO. BY	SCHEMATIC DIAGRAM	
'07/11/19	'07/11/19	DRAWING No.	
MATSUNO	NABE	E14-8454	
REV. No		UNIDEN CORP.	

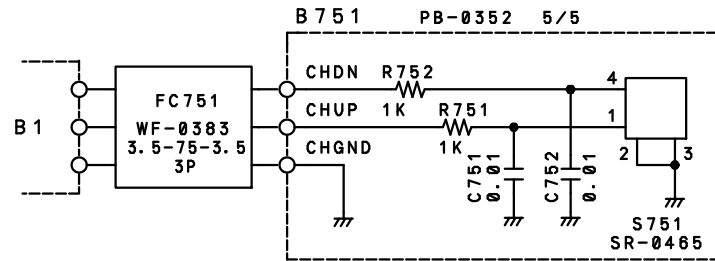


NOTES:

1. RESISTANCE VALUES ARE SHOWN IN OHMS UNLESS OTHERWISE NOTED. (K=KILO OHM, M=MEG OHM)
2. RESISTOR WATTAGES ARE [1/16W] UNLESS OTHERWISE NOTED.
3. CAPACITANCE VALUES ARE INDICATED IN MICRO FARADS UNLESS OTHERWISE NOTED. (P=MICRO-MICRO FARAD)
4. ALL CAPACITORS TEMPERATURE CHARACTERISTICS ARE [CH] (LESS THAN 820PF) OR [B] (MORE THAN 1000PF) UNLESS OTHERWISE NOTED.
5. CHIP CAPACITORS TYPE ARE [1608] UNLESS OTHERWISE NOTED.

REVISIONS	REV. CODE	△	△	△	△	△	△	△	△	△	△	△	△	△	△	△	△	△	△	△
	DATE																			
	LOT#/RN#																			
	REVISED BY																			
	CHECKED BY																			

DESIGN	DRAWN BY	UNIDEN No.	MODEL No.
' 07/11/19	' 07/11/19	UT560ZH	JACKSONIASC
HOKA	YAMAK	TITLE MIC ASS'Y SCHEMATIC DIAGRAM	
CHECK BY	APPRO BY		
' 07/11/19	' 07/11/19	DRAWING No. E14-8456	
MATSUNO	NABE		
REV. No		UNIDEN CORP.	

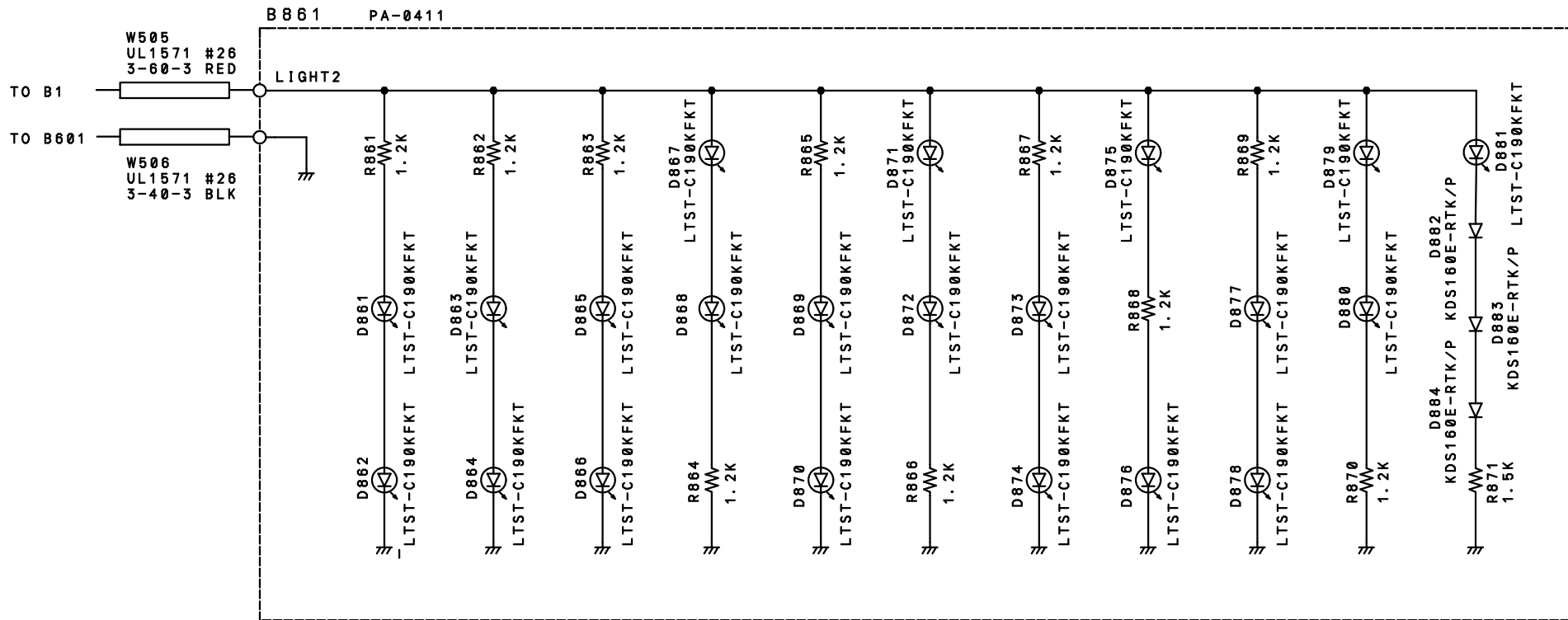


NOTES:

1. RESISTANCE VALUES ARE SHOWN IN OHMS UNLESS OTHERWISE NOTED. (K=KILO OHM, M=MEG OHM)
2. RESISTOR WATTAGES ARE [1/16W] UNLESS OTHERWISE NOTED.
3. CAPACITANCE VALUES ARE INDICATED IN MICRO FARADS UNLESS OTHERWISE NOTED. (P=MICRO-MICRO FARAD)
4. ALL CAPACITORS TEMPERATURE CHARACTERISTICS ARE [CH] (LESS THAN 820PF) OR [B] (MORE THAN 1000PF) UNLESS OTHERWISE NOTED.
5. CHIP CAPACITORS TYPE ARE [1608] UNLESS OTHERWISE NOTED.

REVISIONS	REV. CODE	△	△	△	△	△	△	△	△	△	△	△	△	△	△	△	△
	DATE																
	LOT#/RN#																
	REVISIED BY																
CHECKED BY																	

DESIGN	DRAWN BY	UNIDEN No.	MODEL No.
'07/11/19	'07/11/19	UT560ZH	JACKSONIASC
HOKA	YAMAK	TITLE CH SW ASS'Y	
CHECK BY	APPRO BY	SCHEMATIC DIAGRAM	
'07/11/19	'07/11/19	DRAWING No.	
MATSUNO	NABE	E14-8457	
REV. No		UNIDEN CORP.	

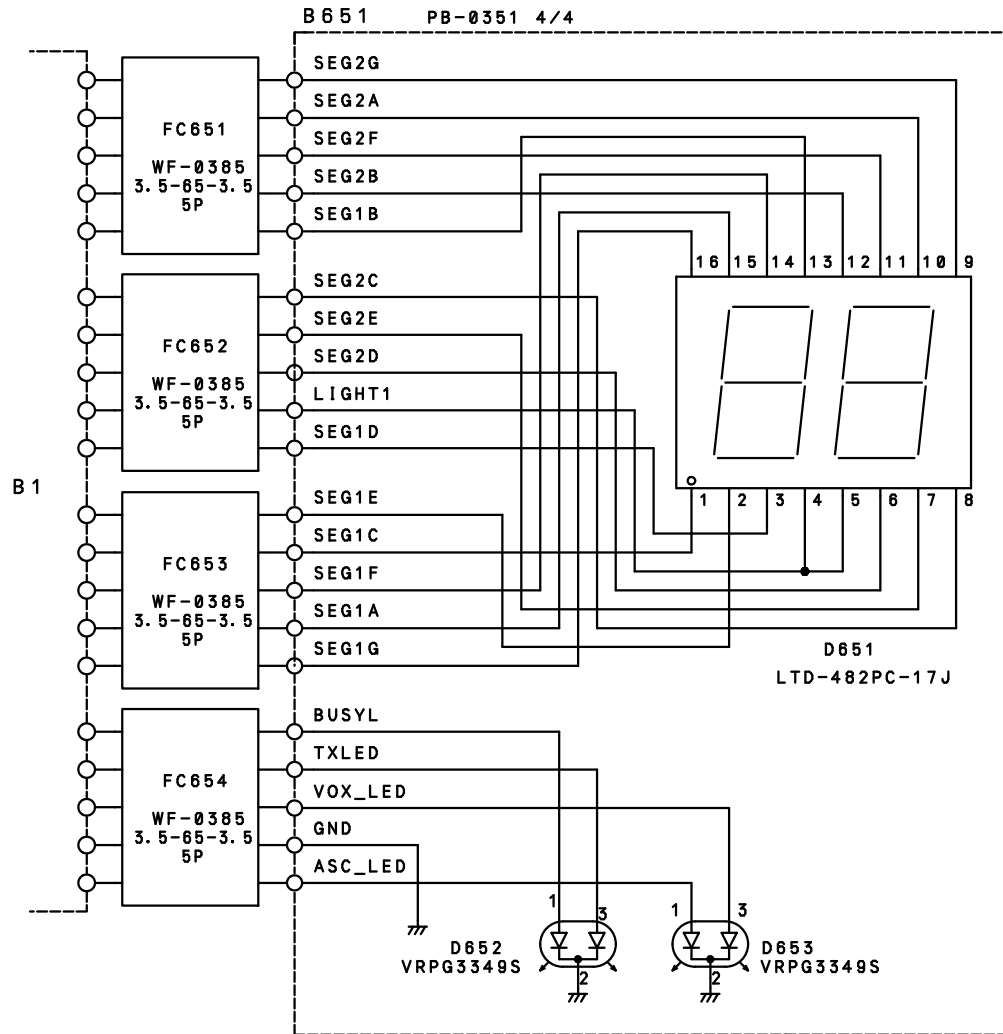


NOTES:

1. RESISTANCE VALUES ARE SHOWN IN OHMS UNLESS OTHERWISE NOTED. (K=KILO OHM, M=MEG OHM)
2. RESISTOR WATTAGES ARE [1/16W] UNLESS OTHERWISE NOTED.

REVISIONS	REV. CODE	△	△	△	△	△	△	△	△	△	△	△	△	△	△	△
	DATE															
	LOT#/RN#															
	REVISED BY															
	CHECKED BY															

DESIGN	DRAWN BY	UNIDEN No.	MODEL No.
' 07/11/19	' 07/11/19	UT560ZH	JACKSONIASC
HOKA	YAMAK	TITLE FRONT LED ASS'Y SCHEMATIC DIAGRAM	
CHECK BY	APPRO BY		
' 07/11/19	' 07/11/19	DRAWING No. E14-8458	
MATSUNO	NABE		
REV. No		UNIDEN CORP.	

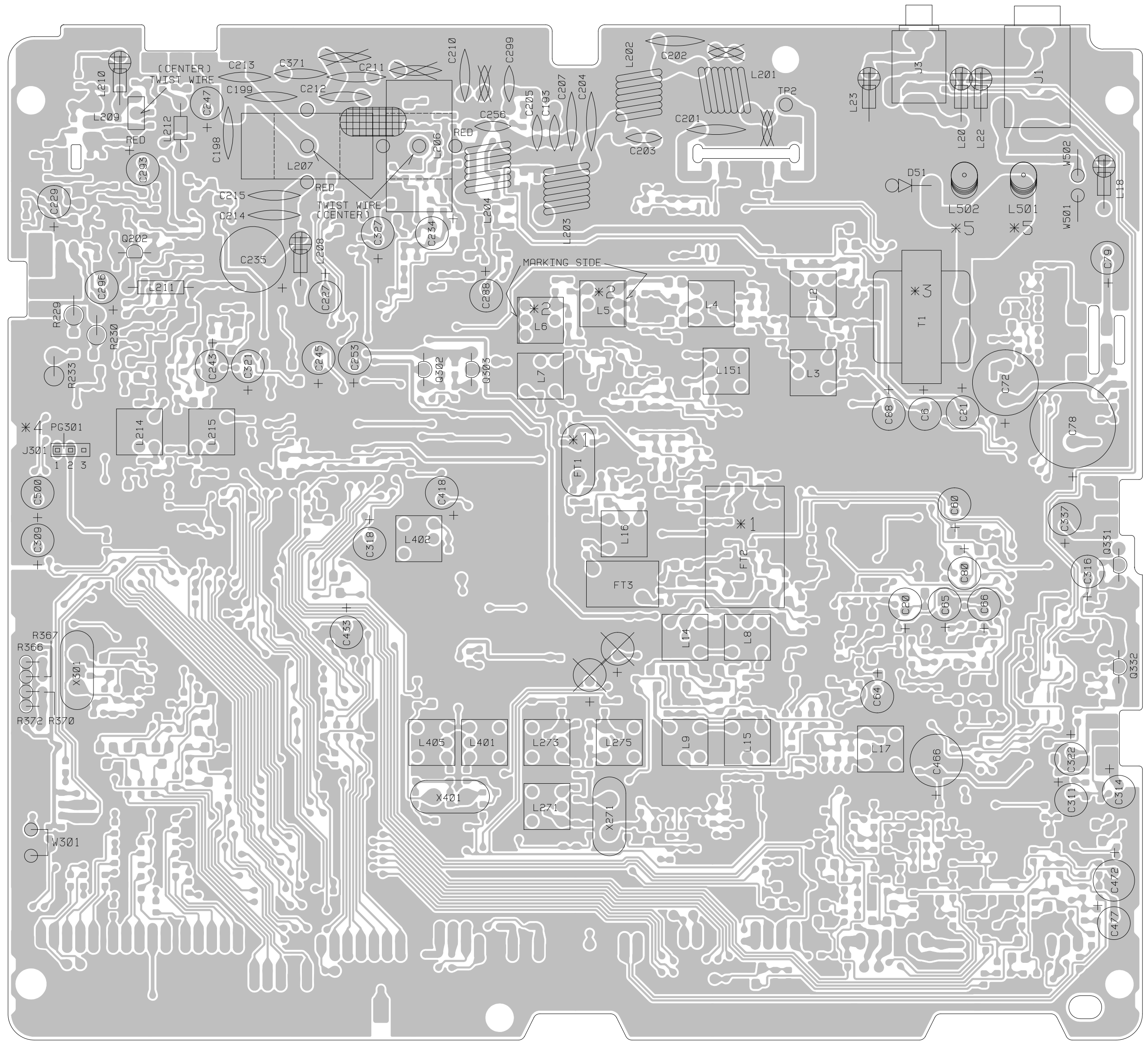


REVISIONS	REV. CODE	△	△	△	△	△	△	△	△	△	△	△	△	△	△	△	△	△	△
	DATE																		
	LOT#/RN#																		
	REVISED BY																		
	CHECKED BY																		

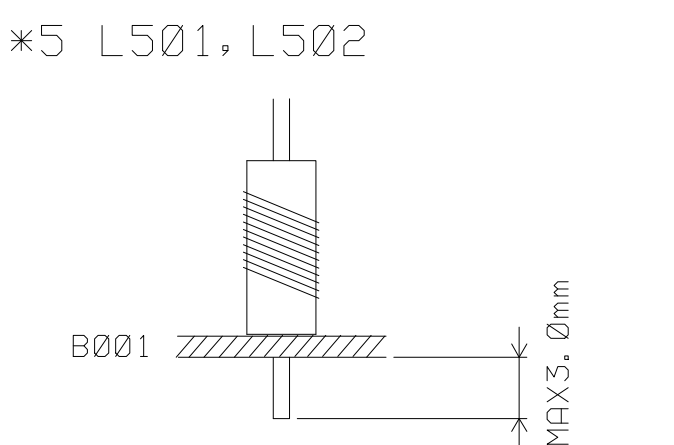
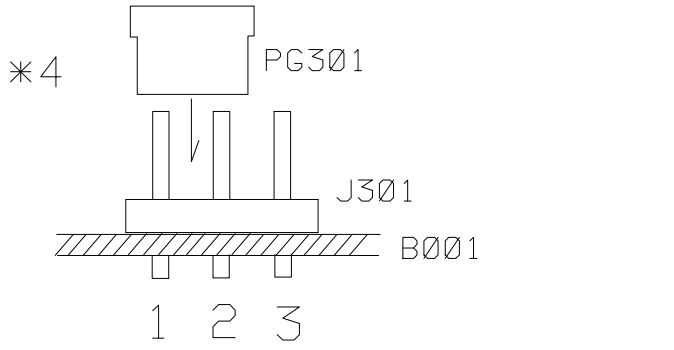
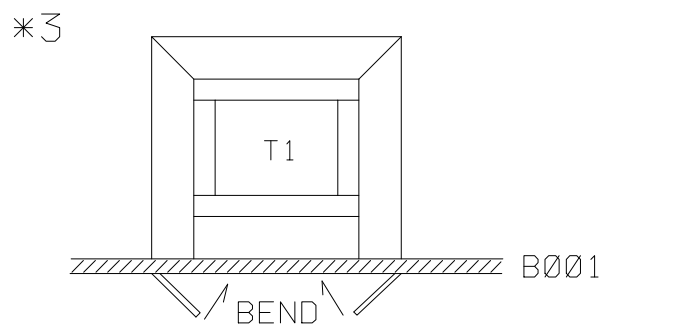
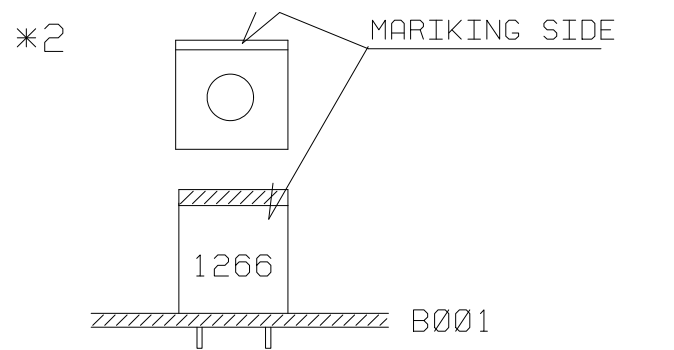
DESIGN	DRAWN BY	UNIDEN No.	MODEL No.
' 07/11/19	' 07/11/19	UT560ZH	JACKSONIASC
HOKA	YAMAK	TITLE    LED ASS'Y	
CHECK BY	APPRO BY	SCHEMATIC DIAGRAM	
' 07/11/19	' 07/11/19	DRAWING No.	
MATSUNO	NABE	E14-8455	
REV. No		UNIDEN CORP.	

B1 PB-351AA 1/4 (TOP VIEW)

Use Pb free Solder



\*1 FT1, FT2 NO DIRECTION



: PUT YELLOW BOND(SC-121)

REVISIONS	REV. CODE																				
		▲	▲	▲	▲	▲	▲	▲	▲	▲	▲	▲	▲	▲	▲	▲	▲	▲	▲	▲	▲
	DATE																				
	LOT# / RN#																				
	REVISED BY																				
	CHECKED BY																				

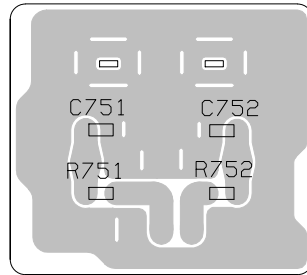
DESIGN. BY 2007/11/19	DRAWN. BY 2007/11/19	UNIDEN NO. UT560ZH	MODEL NO. JACSON II ASC
MATSU	YAMAKA	TITLE MAIN ASS'Y	
CHECK. BY 2007/11/19	APPRO. BY 2007/11/19	PARTS ASS'Y TOP VIEW 1/2	
HOKA	NABE	DRAWING NO. E22-27748	
REV. NO.		UNIDEN CORP.	







# B751 PB-352AA 5/5 (BOTTOM VIEW)



Use Pb free Solder

C751	50V 0.01/B
C752	50V 0.01/B
R751	1K
R752	1K

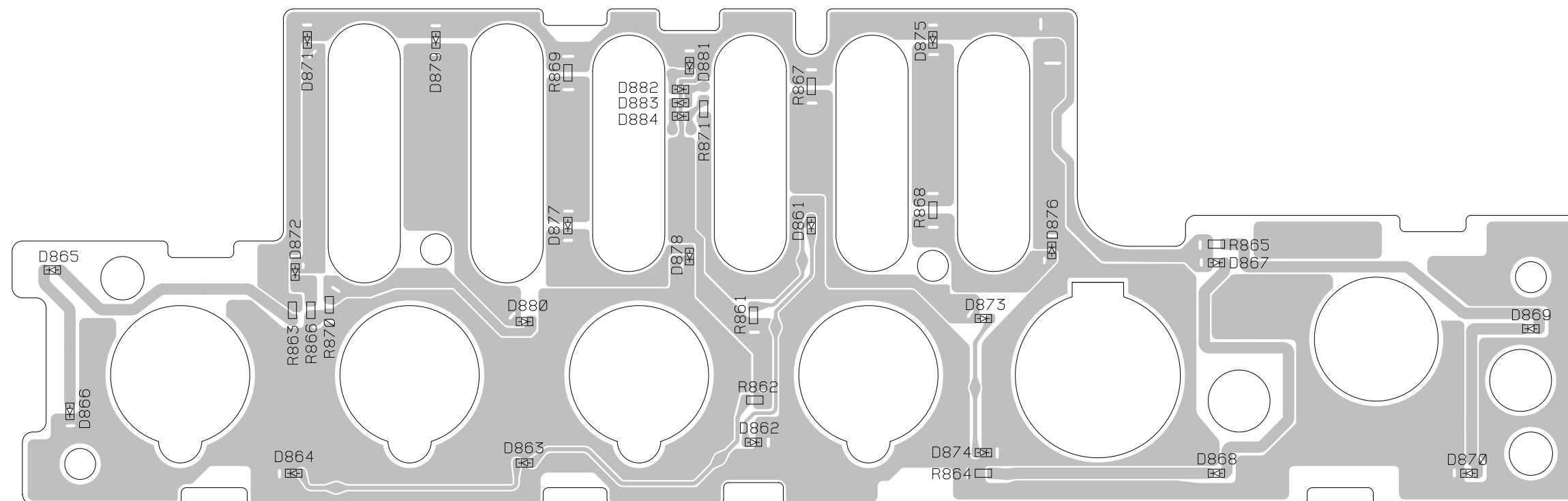
## NOTES:

1. RESISTANCE VALUES ARE SHOWN IN OHMS UNLESS OTHERWISE NOTED. (K=KILO OHM, M=MEG OHM)
2. RESISTOR WATTAGES ARE 1/16W UNLESS OTHERWISE NOTED.
3. CAPACITANCE VALUES ARE INDICATED IN MICRO FARADS UNLESS OTHERWISE NOTED. (P=MICRO-MICRO FARAD)

DESIGN BY	DRAWN BY	UNIDEN NO.	MODEL NO.
2007/11/19	2007/11/19	UT560ZH	JACKSON II ASC
HOKA	HOKA	TITLE CH SW ASS'Y	
CHECK BY	APPRO. BY	CHIP LAYOUT BOTTOM VIEW	
2007/11/19	2007/11/19	DRAWING NO.	
MATSU	NABE	E24-27763	
REV. NO.		UNIDEN CORP.	

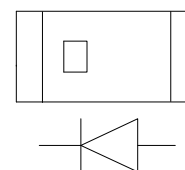
B861 PA-411BA [BOTTOM VIEW]

Use Pb free Solder



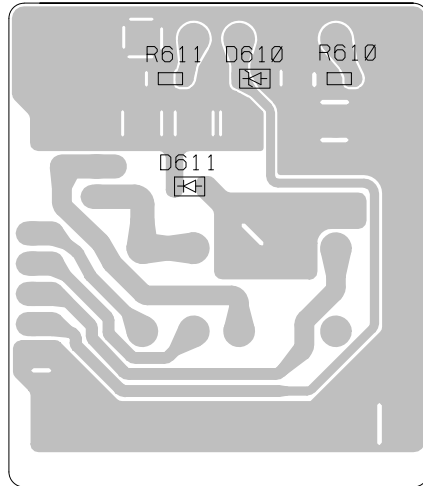
\* D861 ~ 881.

LED POLARITY  
LTST-C190KFKT



DESIGN. BY	DRAWN. BY	UNIDEN NO.	MODEL NO.
2007/11/19	2007/11/19	UT560ZH	JACKSON II ASC
HOKA	YAMAK	TITLE FRONT LED ASS'Y	
CHECK. BY	APPRO. BY	CHIP LAYOUT BOTTOM VIEW 1/2	
2007/11/19	2007/11/19	DRAWING NO.	
MATSU	NABE	E23-27765	
REV. NO.		UNIDEN CORP.	

B610 PB-352AA 3/5 (BOTTOM VIEW)



Use Pb free Solder

D610	UDZS F 7.5B
D611	MA2J72800L
R610	10K
R611	4.7K

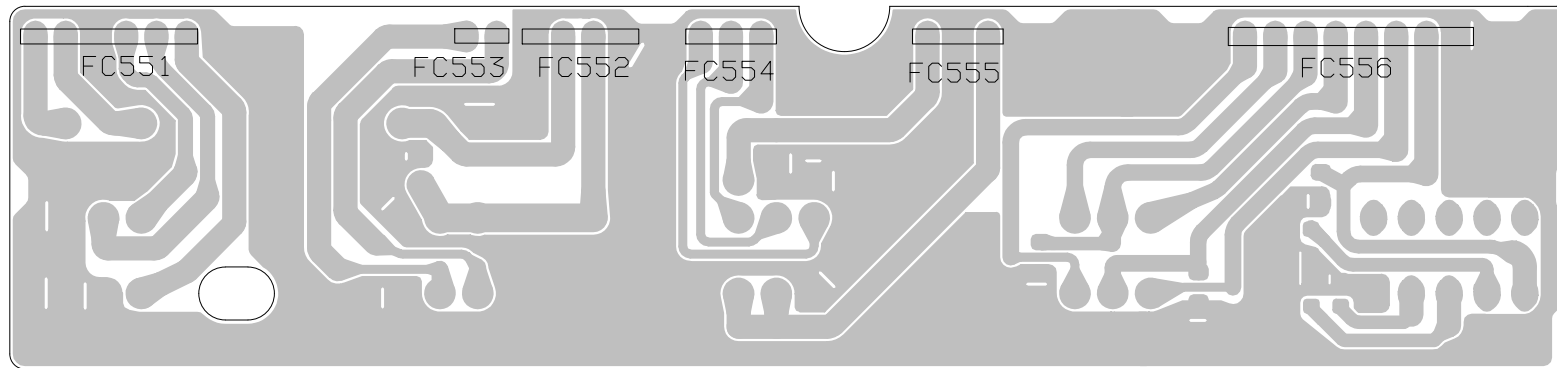
NOTES:

1. RESISTANCE VALUES ARE SHOWN IN OHMS UNLESS OTHERWISE NOTED. (K=KILO OHM, M=MEG OHM)
2. RESISTOR WATTAGES ARE 1/16W UNLESS OTHERWISE NOTED.

DESIGN. BY	DRAWN. BY	UNIDEN NO.	MODEL NO.
2007/11/19	2007/11/19	UT560ZH	JACKSON II ASC
HOKA	YUAT	TITLE NB MTR SW ASS'Y	
CHECK. BY	APPRO. BY	CHIP LAYOUT BOTTOM VIEW	
2007/11/19	2007/11/19	DRAWING NO.	
MATSU	NABE	E24-27758	
REV. NO.		UNIDEN CORP.	

B551 PB-352AA 1/5 (TOP VIEW)

Use Pb free Solder

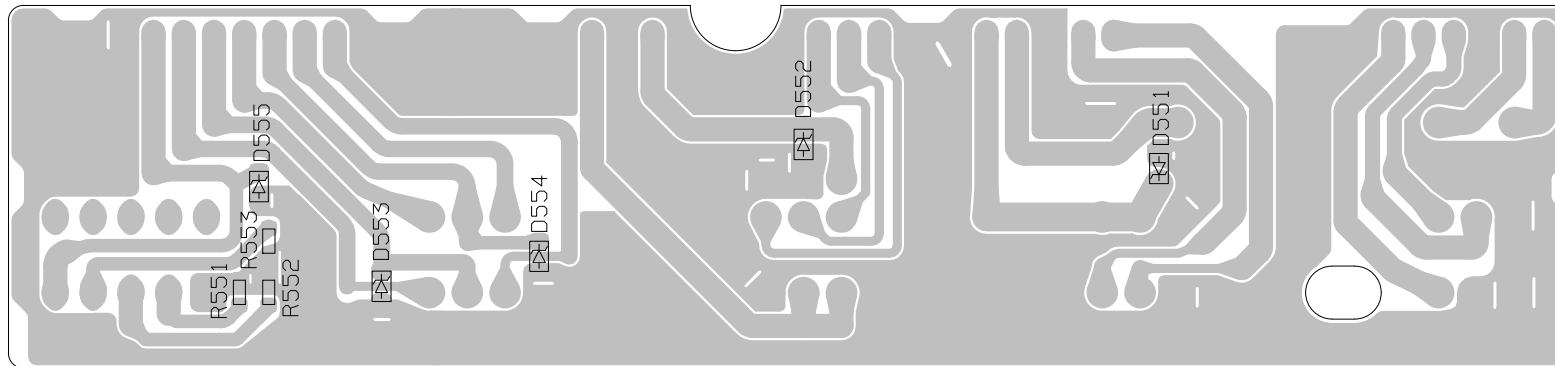


FC551	WF-386	3-70-3	6P
FC552	WF-384	3.5-70-3.5	4P
FC553	WF-382	3-35-3	2P
FC554	WF-383	3.5-75-3.5	3P
FC555	WF-383	3.5-75-3.5	3P
FC556	WF-388	3-70-3	8P

DESIGN. BY	DRAWN. BY	UNIDEN NO.	MODEL NO.
2007/11/19	2007/11/19	UT560ZH	JACKSON II ASC
HOKA	YAMAK	TITLE VOL SW ASS'Y	
CHECK. BY	APPRO. BY	PARTS ASS'Y TOP VIEW	
2007/11/19	2007/11/19	DRAWING NO.	
MATSU	NABE	E24-27753	
REV. NO.		UNIDEN CORP.	

B551 PB-352AA 1/5 (BOTTOM VIEW)

Use Pb free Solder



D551	UDZS F 7.5B
D552	UDZS F 7.5B
D553	UDZS F 7.5B
D554	UDZS F 7.5B
D555	UDZS F 7.5B
R551	4.7K
R552	10K
R553	22K

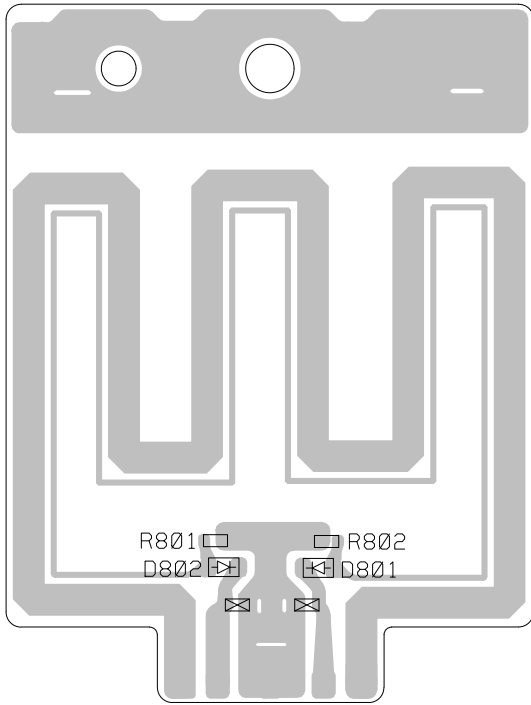
NOTES:

1. RESISTANCE VALUES ARE SHOWN IN OHMS UNLESS OTHERWISE NOTED. (K=KILO OHM. M=MEG OHM)
2. RESISTOR WATTAGES ARE 1/16W UNLESS OTHERWISE NOTED.

DESIGN. BY	DRAWN. BY	UNIDEN NO.	MODEL NO.
2007/11/19	2007/11/19	UT560ZH	JACKSON IIASC
HOKA	YAMAK	TITLE VOL SW ASS'Y	
CHECK. BY	APPRO. BY	CHIP LAYOUT BOTTOM VIEW	
2007/11/19	2007/11/19	DRAWING NO.	
MATSU	NABE	E24-27754	
REV. NO.		UNIDEN CORP.	

B801 PB-351AA 2/4 (TOP VIEW)

Use Pb free Solder



D801	MA2J72800L
D802	MA2J72800L
R801	150
R802	150

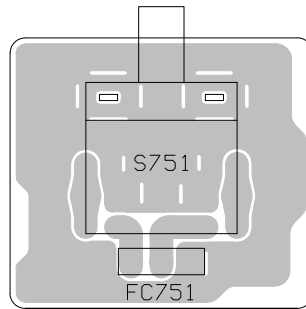
NOTES:

1. RESISTANCE VALUES ARE SHOWN IN OHMS  
UNLESS OTHERWISE NOTED.  
(K=KILO OHM. M=MEG OHM)
2. RESISTOR WATTAGES ARE 1/16W  
UNLESS OTHERWISE NOTED.

DESIGN. BY	DRAWN. BY	UNIDEN NO.	MODEL NO.
2007/11/19	2007/11/19	UT560ZH	JACKSON II ASC
HOKA	YUAT	TITLE SWR ASS'Y	
CHECK. BY	APPRO. BY	CHIP LAYOUT TOP VIEW	
2007/11/19	2007/11/19	DRAWING NO.	
MATSU	NABE	E24-27764	
REV. NO.		UNIDEN CORP.	



B751 PB-352AA 5/5 (TOP VIEW)



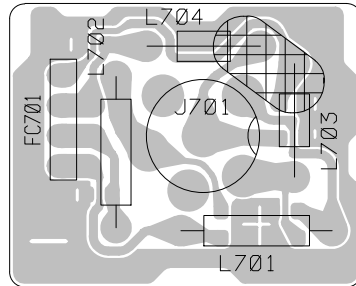
Use Pb free Solder

FC751	WF-383 3.5-75-3.5 3P
S751	SR-465

DESIGN. BY	DRAWN. BY	UNIDEN NO.	MODEL NO.
2007/11/19	2007/11/19	UT560ZH	JACKSON II ASC
HOKA	HOKA	TITLE	CH SW ASS'Y
CHECK. BY	APPRO. BY	PARTS ASS'Y TOP VIEW	
2007/11/19	2007/11/19	DRAWING NO.	
MATSU	NABE	E24-27762	
REV. NO.		UNIDEN CORP.	

Use Pb free Solder

B701 PB-352AA 4/5 (TOP VIEW)



J701	JK-1434
L701	LZ-041 10uH
L702	LZ-041 10uH
L703	LD-087 L5RH3X5X1
L704	LD-087 L5RH3X5X1
FC701	WF-384 3.5-70-3.5 4P

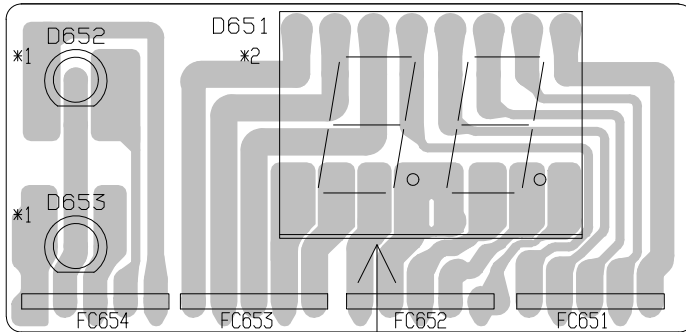


⊘ : PUT YELLOW BOND(SC-121)

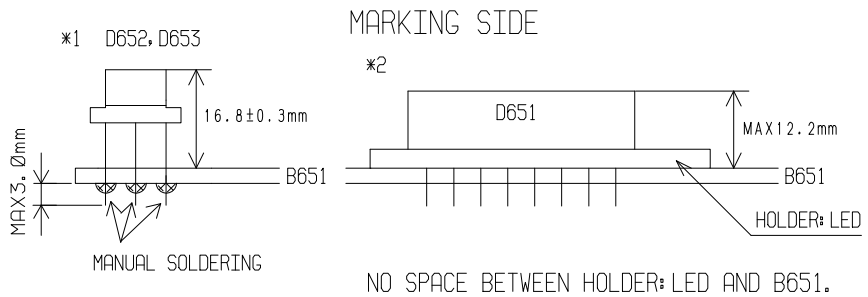
DESIGN. BY	DRAWN. BY	UNIDEN NO.	MODEL NO.
2007/11/19	2007/11/19	UT560ZH	JACKSON II ASC
HOKA	YUAT	TITLE	MIC ASS'Y
CHECK. BY	APPRO. BY	PARTS ASS'Y TOP VIEW	
2007/11/19	2007/11/19	DRAWING NO.	
MATSU	NABE	E24-27760	
REV. NO.		UNIDEN CORP.	

Use Pb free Solder

B651 PB-351AA 4/4 (TOP VIEW)



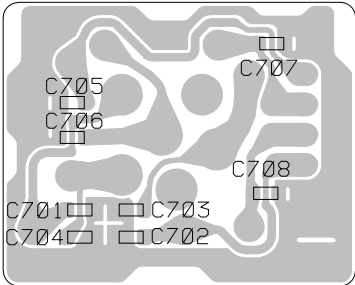
D651	LTD-482PC-17J
D652	VRPG3349S
D653	VRPG3349S
FC651	WF-385 3.5-65-3.5 5P
FC652	WF-385 3.5-65-3.5 5P
FC653	WF-385 3.5-65-3.5 5P
FC654	WF-385 3.5-65-3.5 5P



DESIGN. BY 2007/11/19	DRAWN. BY 2007/11/19	UNIDEN NO. UT560ZH	MODEL NO. JACKSON II ASC
HOKA	T. YURASA	TITLE LED ASS'Y	
CHECK. BY 2007/11/19	APPRO. BY 2007/11/19	PARTS ASS'Y TOP VIEW	
MATSUNO	NABE	DRAWING NO. E24-27759	
REV. NO.		UNIDEN CORP.	

Use Pb free Solder

B701 PB-352AA 4/5 (BOTTOM VIEW)



C701	50V 0.01/B
C702	50V 0.01/B
C703	50V 0.01/B
C704	50V 0.01/B
C705	50V 0.01/B
C706	50V 0.01/B
C707	50V 0.01/B
C708	50V 0.01/B

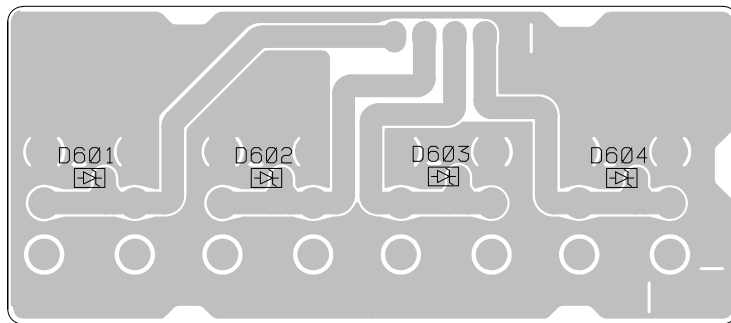
NOTES:

1. CAPACITANCE VALUES ARE INDICATED IN MICRO FARADS UNLESS OTHERWISE NOTED. (P-MICRO-MICRO FARAD)

DESIGN. BY	DRAWN. BY	UNIDEN NO.	MODEL NO.
2007/11/19	2007/11/19	UT560ZH	JACKSON II ASC
HOKA	YUAT	TITLE MIC ASS'Y	
CHECK. BY	APPRO. BY	CHIP LAYOUT BOTTOM VIEW	
2007/11/19	2007/11/19	DRAWING NO.	
MATSU	NABE	E24-27761	
REV. NO.		UNIDEN CORP.	

Use Pb free Solder

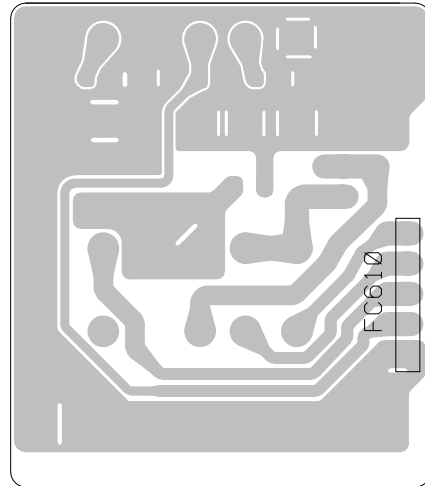
B601 PB-352AA 2/5 (BOTTOM VIEW)



D601	UDZS F 7.5B
D602	UDZS F 7.5B
D603	UDZS F 7.5B
D604	UDZS F 7.5B

DESIGN. BY	DRAWN. BY	UNIDEN NO.	MODEL NO.
2007/11/19	2007/11/19	UT560ZH	JACKSON II ASC
HOKA	YUAT	TITLE	SW ASS'Y
CHECK. BY	APPRO. BY	CHIP LAYPUT BOTTOM VIEW	
2007/11/19	2007/11/19	DRAWING NO.	
MATSU	NABE	E24-27756	
REV. NO.		UNIDEN CORP.	

B610 PB-352AA 3/5 (TOP VIEW)



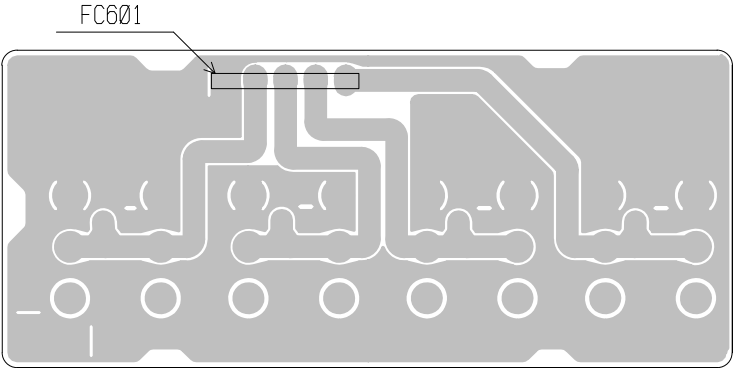
Use Pb free Solder

FC610 WF-385 3.5-65-3.5 5P

DESIGN. BY	DRAWN. BY	UNIDEN NO.	MODEL NO.
2007/11/19	2007/11/19	UT560ZH	JACKSON II ASC
HOKA	YUAT	TITLE NB MTR SW ASS'Y	
CHECK. BY	APPRO. BY	PARTS ASS'Y TOP VIEW	
2007/11/19	2007/11/19	DRAWING NO.	
MATSU	NABE	E24-27757	
REV. NO.		UNIDEN CORP.	

Use Pb free Solder

B601 PB-352AA 2/5 (TOP VIEW)



FC601	WF-385 3.5-65-3.5 5P
-------	----------------------

DESIGN. BY	DRAWN. BY	UNIDEN NO.	MODEL NO.
2007/11/19	2007/11/19	UT560ZH	JACKSON II ASC
HOKA	YUAT	TITLE	SW ASS'Y
CHECK. BY	APPRO. BY	PARTS ASS'Y TOP VIEW	
2007/11/19	2007/11/19	DRAWING NO.	
MATSU	NABE	E24-27755	
REV. NO.		UNIDEN CORP.	

## COMPONENTS LIST

<b>JACKSON II ASC ALL PARTS : BILL OF MATERIAL</b>					
ASSY CODE	PARTS CODE	DESCRIPTION	SPEC	REF NO	QTY
AT560ZHBAE	BCAZ111016G	C:ELECTROLYTIC	100UF 10V M C-156	C088	1
AT560ZHBAE	BCAZ111016G	C:ELECTROLYTIC	100UF 10V M C-156	C253	1
AT560ZHBAE	BCAZ111016G	C:ELECTROLYTIC	100UF 10V M C-156	C418	1
AT560ZHBAE	BCAZ112216G	C:ELECTROLYTIC	220UF 10V M C-156	C472	1
AT560ZHBAE	BCAZ114716G	C:ELECTROLYTIC	470UF 10V M C-156	C466	1
AT560ZHBAE	BCAZ511026G	C:ELECTROLYTIC	1000UF 25V M C-156	C078	1
AT560ZHBAE	BCAZ512206G	C:ELECTROLYTIC	22UF 25V M C-156	C293	1
AT560ZHBAE	BCAZ514706G	C:ELECTROLYTIC	47UF 25V M C-156	C006	1
AT560ZHBAE	BCAZ514706G	C:ELECTROLYTIC	47UF 25V M C-156	C021	1
AT560ZHBAE	BCAZ514706G	C:ELECTROLYTIC	47UF 25V M C-156	C064	1
AT560ZHBAE	BCAZ514706G	C:ELECTROLYTIC	47UF 25V M C-156	C079	1
AT560ZHBAE	BCAZ514706G	C:ELECTROLYTIC	47UF 25V M C-156	C080	1
AT560ZHBAE	BCAZ514706G	C:ELECTROLYTIC	47UF 25V M C-156	C234	1



AT560ZHBAE	BCAZ514706G	C:ELECTROLYTIC	47UF 25V M C-156	C243	1
AT560ZHBAE	BCAZ514706G	C:ELECTROLYTIC	47UF 25V M C-156	C296	1
AT560ZHBAE	BCAZ514706G	C:ELECTROLYTIC	47UF 25V M C-156	C309	1
AT560ZHBAE	BCAZ514706G	C:ELECTROLYTIC	47UF 25V M C-156	C311	1
AT560ZHBAE	BCAZ514706G	C:ELECTROLYTIC	47UF 25V M C-156	C314	1
AT560ZHBAE	BCAZ514706G	C:ELECTROLYTIC	47UF 25V M C-156	C316	1
AT560ZHBAE	BCAZ514706G	C:ELECTROLYTIC	47UF 25V M C-156	C318	1
AT560ZHBAE	BCAZ514706G	C:ELECTROLYTIC	47UF 25V M C-156	C322	1
AT560ZHBAE	BCAZ514706G	C:ELECTROLYTIC	47UF 25V M C-156	C337	1
AT560ZHBAE	BCAZ514706G	C:ELECTROLYTIC	47UF 25V M C-156	C433	1
AT560ZHBAE	BCAZ514706G	C:ELECTROLYTIC	47UF 25V M C-156	C477	1
AT560ZHBAE	BCAZ514706G	C:ELECTROLYTIC	47UF 25V M C-156	C500	1
AT560ZHBAE	BCAZ514716G	C:ELECTROLYTIC	470UF 25V M C-156	C072	1
AT560ZHBAE	BCAZ514716G	C:ELECTROLYTIC	470UF 25V M C-156	C235	1
AT560ZHBAE	BCAZ811006G	C:ELECTROLYTIC	10UF 50V M C-156	C060	1
AT560ZHBAE	BCAZ811006G	C:ELECTROLYTIC	10UF 50V M C-156	C065	1
AT560ZHBAE	BCAZ811006G	C:ELECTROLYTIC	10UF 50V M C-156	C066	1
AT560ZHBAE	BCAZ811006G	C:ELECTROLYTIC	10UF 50V M C-156	C229	1
AT560ZHBAE	BCAZ811006G	C:ELECTROLYTIC	10UF 50V M C-156	C245	1
AT560ZHBAE	BCAZ811006G	C:ELECTROLYTIC	10UF 50V M C-156	C288	1
AT560ZHBAE	BCAZ811006G	C:ELECTROLYTIC	10UF 50V M C-156	C321	1
AT560ZHBAE	BCAZ811006G	C:ELECTROLYTIC	10UF 50V M C-156	C327	1
AT560ZHBAE	BCAZ811096G	C:ELECTROLYTIC	1UF 50V M C-156	C020	1

AT560ZHBAE	BCAZ811096G	C:ELECTROLYTIC	1UF 50V M C-156	C247	1
AT560ZHBAE	BCAZ814796G	C:ELECTROLYTIC	4.7UF 50V M C-156	C227	1
AT560ZHBAE	BCHB813091G	C:CERAMIC TS2.5S	3PF 50V C CJ	C193	1
AT560ZHBAE	BCHC811014G	C:CERAMIC TS5.0S	100PF 50V J CH	C213	1
AT560ZHBAE	BCHC811014G	C:CERAMIC TS5.0S	100PF 50V J CH	C371	1
AT560ZHBAE	BCHC811504G	C:CERAMIC TS2.5S	15PF 50V J CH	C256	1
AT560ZHBAE	BCHC811504G	C:CERAMIC TS2.5S	15PF 50V J CH	C299	1
AT560ZHBAE	BCHC811514G	C:CERAMIC TS5.0S	150PF 50V J CH	C212	1
AT560ZHBAE	BCHC811814G	C:CERAMIC TS5.0S	180PF 50V J CH	C202	1
AT560ZHBAE	BCHC811814G	C:CERAMIC TS5.0S	180PF 50V J CH	C204	1
AT560ZHBAE	BCHC811814G	C:CERAMIC TS5.0S	180PF 50V J CH	C207	1
AT560ZHBAE	BCHC811814G	C:CERAMIC TS5.0S	180PF 50V J CH	C211	1
AT560ZHBAE	BCHC812204G	C:CERAMIC TS2.5S	22PF 50V J CH	C203	1
AT560ZHBAE	BCHC812714G	C:CERAMIC TS5.0S	270PF 50V J CH	C198	1
AT560ZHBAE	BCHC812714G	C:CERAMIC TS5.0S	270PF 50V J CH	C199	1
AT560ZHBAE	BCHC813304G	C:CERAMIC TS2.5S	33PF 50V J CH	C205	1
AT560ZHBAE	BCHC816804G	C:CERAMIC TS5.0S	68PF 50V J CH	C201	1
AT560ZHBAE	BCHC816804G	C:CERAMIC TS5.0S	68PF 50V J CH	C210	1
AT560ZHBAE	BCKQ811040G	C:CERAMIC TS5.0S	0.1UF 50V Z YF	C214	1
AT560ZHBAE	BCKQ812230G	C:CERAMIC TS5.0S	0.022UF 50V Z YF	C215	1
AT560ZHBAE	BCML311045G	C:CERAMIC M/L (1608) TAPE	0.1UF 16V K B	C033	1
AT560ZHBAE	BCML311045G	C:CERAMIC M/L (1608) TAPE	0.1UF 16V K B	C038	1
AT560ZHBAE	BCML311045G	C:CERAMIC M/L (1608) TAPE	0.1UF 16V K B	C039	1

AT560ZHBAE	BCML311045G	C:CERAMIC M/L (1608) TAPE	0.1UF 16V K B	C040	1
AT560ZHBAE	BCML311045G	C:CERAMIC M/L (1608) TAPE	0.1UF 16V K B	C046	1
AT560ZHBAE	BCML311045G	C:CERAMIC M/L (1608) TAPE	0.1UF 16V K B	C048	1
AT560ZHBAE	BCML311045G	C:CERAMIC M/L (1608) TAPE	0.1UF 16V K B	C049	1
AT560ZHBAE	BCML311045G	C:CERAMIC M/L (1608) TAPE	0.1UF 16V K B	C051	1
AT560ZHBAE	BCML311045G	C:CERAMIC M/L (1608) TAPE	0.1UF 16V K B	C052	1
AT560ZHBAE	BCML311045G	C:CERAMIC M/L (1608) TAPE	0.1UF 16V K B	C056	1
AT560ZHBAE	BCML311045G	C:CERAMIC M/L (1608) TAPE	0.1UF 16V K B	C059	1
AT560ZHBAE	BCML311045G	C:CERAMIC M/L (1608) TAPE	0.1UF 16V K B	C062	1
AT560ZHBAE	BCML311045G	C:CERAMIC M/L (1608) TAPE	0.1UF 16V K B	C063	1
AT560ZHBAE	BCML311045G	C:CERAMIC M/L (1608) TAPE	0.1UF 16V K B	C068	1
AT560ZHBAE	BCML311045G	C:CERAMIC M/L (1608) TAPE	0.1UF 16V K B	C073	1
AT560ZHBAE	BCML311045G	C:CERAMIC M/L (1608) TAPE	0.1UF 16V K B	C075	1
AT560ZHBAE	BCML311045G	C:CERAMIC M/L (1608) TAPE	0.1UF 16V K B	C090	1
AT560ZHBAE	BCML311045G	C:CERAMIC M/L (1608) TAPE	0.1UF 16V K B	C108	1
AT560ZHBAE	BCML311045G	C:CERAMIC M/L (1608) TAPE	0.1UF 16V K B	C110	1
AT560ZHBAE	BCML311045G	C:CERAMIC M/L (1608) TAPE	0.1UF 16V K B	C134	1
AT560ZHBAE	BCML311045G	C:CERAMIC M/L (1608) TAPE	0.1UF 16V K B	C155	1
AT560ZHBAE	BCML311045G	C:CERAMIC M/L (1608) TAPE	0.1UF 16V K B	C158	1
AT560ZHBAE	BCML311045G	C:CERAMIC M/L (1608) TAPE	0.1UF 16V K B	C161	1
AT560ZHBAE	BCML311045G	C:CERAMIC M/L (1608) TAPE	0.1UF 16V K B	C167	1
AT560ZHBAE	BCML311045G	C:CERAMIC M/L (1608) TAPE	0.1UF 16V K B	C194	1
AT560ZHBAE	BCML311045G	C:CERAMIC M/L (1608) TAPE	0.1UF 16V K B	C273	1

AT560ZHBAE	BCML311045G	C:CERAMIC M/L (1608) TAPE	0.1UF 16V K B	C294	1
AT560ZHBAE	BCML311045G	C:CERAMIC M/L (1608) TAPE	0.1UF 16V K B	C295	1
AT560ZHBAE	BCML311045G	C:CERAMIC M/L (1608) TAPE	0.1UF 16V K B	C308	1
AT560ZHBAE	BCML311045G	C:CERAMIC M/L (1608) TAPE	0.1UF 16V K B	C310	1
AT560ZHBAE	BCML311045G	C:CERAMIC M/L (1608) TAPE	0.1UF 16V K B	C313	1
AT560ZHBAE	BCML311045G	C:CERAMIC M/L (1608) TAPE	0.1UF 16V K B	C315	1
AT560ZHBAE	BCML311045G	C:CERAMIC M/L (1608) TAPE	0.1UF 16V K B	C429	1
AT560ZHBAE	BCML311045G	C:CERAMIC M/L (1608) TAPE	0.1UF 16V K B	C440	1
AT560ZHBAE	BCML311045G	C:CERAMIC M/L (1608) TAPE	0.1UF 16V K B	C443	1
AT560ZHBAE	BCML311045G	C:CERAMIC M/L (1608) TAPE	0.1UF 16V K B	C444	1
AT560ZHBAE	BCML311045G	C:CERAMIC M/L (1608) TAPE	0.1UF 16V K B	C459	1
AT560ZHBAE	BCML311045G	C:CERAMIC M/L (1608) TAPE	0.1UF 16V K B	C469	1
AT560ZHBAE	BCML311045G	C:CERAMIC M/L (1608) TAPE	0.1UF 16V K B	C474	1
AT560ZHBAE	BCML311045G	C:CERAMIC M/L (1608) TAPE	0.1UF 16V K B	C476	1
AT560ZHBAE	BCML311045G	C:CERAMIC M/L (1608) TAPE	0.1UF 16V K B	C478	1
AT560ZHBAE	BCML311045G	C:CERAMIC M/L (1608) TAPE	0.1UF 16V K B	C479	1
AT560ZHBAE	BCML311045G	C:CERAMIC M/L (1608) TAPE	0.1UF 16V K B	C480	1
AT560ZHBAE	BCML311045G	C:CERAMIC M/L (1608) TAPE	0.1UF 16V K B	C482	1
AT560ZHBAE	BCML311045G	C:CERAMIC M/L (1608) TAPE	0.1UF 16V K B	C501	1
AT560ZHBAE	BCML311055G	C:CERAMIC M/L (1608) TAPE	1UF 16V K B	C071	1
AT560ZHBAE	BCML311055G	C:CERAMIC M/L (1608) TAPE	1UF 16V K B	C135	1
AT560ZHBAE	BCML311055G	C:CERAMIC M/L (1608) TAPE	1UF 16V K B	C137	1
AT560ZHBAE	BCML311055G	C:CERAMIC M/L (1608) TAPE	1UF 16V K B	C139	1

AT560ZHBAE	BCML311055G	C:CERAMIC M/L (1608) TAPE	1UF 16V K B	C200	1
AT560ZHBAE	BCML311055G	C:CERAMIC M/L (1608) TAPE	1UF 16V K B	C233	1
AT560ZHBAE	BCML311055G	C:CERAMIC M/L (1608) TAPE	1UF 16V K B	C249	1
AT560ZHBAE	BCML311055G	C:CERAMIC M/L (1608) TAPE	1UF 16V K B	C270	1
AT560ZHBAE	BCML311055G	C:CERAMIC M/L (1608) TAPE	1UF 16V K B	C283	1
AT560ZHBAE	BCML311055G	C:CERAMIC M/L (1608) TAPE	1UF 16V K B	C284	1
AT560ZHBAE	BCML311055G	C:CERAMIC M/L (1608) TAPE	1UF 16V K B	C332	1
AT560ZHBAE	BCML311055G	C:CERAMIC M/L (1608) TAPE	1UF 16V K B	C446	1
AT560ZHBAE	BCML311055G	C:CERAMIC M/L (1608) TAPE	1UF 16V K B	C447	1
AT560ZHBAE	BCML311055G	C:CERAMIC M/L (1608) TAPE	1UF 16V K B	C451	1
AT560ZHBAE	BCML311055G	C:CERAMIC M/L (1608) TAPE	1UF 16V K B	C453	1
AT560ZHBAE	BCML311055G	C:CERAMIC M/L (1608) TAPE	1UF 16V K B	C458	1
AT560ZHBAE	BCML311055G	C:CERAMIC M/L (1608) TAPE	1UF 16V K B	C463	1
AT560ZHBAE	BCML311055G	C:CERAMIC M/L (1608) TAPE	1UF 16V K B	C467	1
AT560ZHBAE	BCML811025G	C:CERAMIC M/L (1608) TAPE	0.001UF 50V K B	C001	1
AT560ZHBAE	BCML811025G	C:CERAMIC M/L (1608) TAPE	0.001UF 50V K B	C022	1
AT560ZHBAE	BCML811025G	C:CERAMIC M/L (1608) TAPE	0.001UF 50V K B	C044	1
AT560ZHBAE	BCML811025G	C:CERAMIC M/L (1608) TAPE	0.001UF 50V K B	C054	1
AT560ZHBAE	BCML811025G	C:CERAMIC M/L (1608) TAPE	0.001UF 50V K B	C084	1
AT560ZHBAE	BCML811025G	C:CERAMIC M/L (1608) TAPE	0.001UF 50V K B	C104	1
AT560ZHBAE	BCML811025G	C:CERAMIC M/L (1608) TAPE	0.001UF 50V K B	C105	1
AT560ZHBAE	BCML811025G	C:CERAMIC M/L (1608) TAPE	0.001UF 50V K B	C106	1
AT560ZHBAE	BCML811025G	C:CERAMIC M/L (1608) TAPE	0.001UF 50V K B	C156	1

AT560ZHBAE	BCML811025G	C:CERAMIC M/L (1608) TAPE	0.001UF 50V K B	C251	1
AT560ZHBAE	BCML811025G	C:CERAMIC M/L (1608) TAPE	0.001UF 50V K B	C464	1
AT560ZHBAE	BCML811025G	C:CERAMIC M/L (1608) TAPE	0.001UF 50V K B	C470	1
AT560ZHBAE	BCML811035G	C:CERAMIC M/L (1608) TAPE	0.01UF 50V K B	C002	1
AT560ZHBAE	BCML811035G	C:CERAMIC M/L (1608) TAPE	0.01UF 50V K B	C005	1
AT560ZHBAE	BCML811035G	C:CERAMIC M/L (1608) TAPE	0.01UF 50V K B	C007	1
AT560ZHBAE	BCML811035G	C:CERAMIC M/L (1608) TAPE	0.01UF 50V K B	C012	1
AT560ZHBAE	BCML811035G	C:CERAMIC M/L (1608) TAPE	0.01UF 50V K B	C014	1
AT560ZHBAE	BCML811035G	C:CERAMIC M/L (1608) TAPE	0.01UF 50V K B	C015	1
AT560ZHBAE	BCML811035G	C:CERAMIC M/L (1608) TAPE	0.01UF 50V K B	C017	1
AT560ZHBAE	BCML811035G	C:CERAMIC M/L (1608) TAPE	0.01UF 50V K B	C023	1
AT560ZHBAE	BCML811035G	C:CERAMIC M/L (1608) TAPE	0.01UF 50V K B	C024	1
AT560ZHBAE	BCML811035G	C:CERAMIC M/L (1608) TAPE	0.01UF 50V K B	C025	1
AT560ZHBAE	BCML811035G	C:CERAMIC M/L (1608) TAPE	0.01UF 50V K B	C026	1
AT560ZHBAE	BCML811035G	C:CERAMIC M/L (1608) TAPE	0.01UF 50V K B	C027	1
AT560ZHBAE	BCML811035G	C:CERAMIC M/L (1608) TAPE	0.01UF 50V K B	C028	1
AT560ZHBAE	BCML811035G	C:CERAMIC M/L (1608) TAPE	0.01UF 50V K B	C029	1
AT560ZHBAE	BCML811035G	C:CERAMIC M/L (1608) TAPE	0.01UF 50V K B	C031	1
AT560ZHBAE	BCML811035G	C:CERAMIC M/L (1608) TAPE	0.01UF 50V K B	C032	1
AT560ZHBAE	BCML811035G	C:CERAMIC M/L (1608) TAPE	0.01UF 50V K B	C034	1
AT560ZHBAE	BCML811035G	C:CERAMIC M/L (1608) TAPE	0.01UF 50V K B	C047	1
AT560ZHBAE	BCML811035G	C:CERAMIC M/L (1608) TAPE	0.01UF 50V K B	C050	1
AT560ZHBAE	BCML811035G	C:CERAMIC M/L (1608) TAPE	0.01UF 50V K B	C061	1

AT560ZHBAE	BCML811035G	C:CERAMIC M/L (1608) TAPE	0.01UF 50V K B	C070	1
AT560ZHBAE	BCML811035G	C:CERAMIC M/L (1608) TAPE	0.01UF 50V K B	C076	1
AT560ZHBAE	BCML811035G	C:CERAMIC M/L (1608) TAPE	0.01UF 50V K B	C082	1
AT560ZHBAE	BCML811035G	C:CERAMIC M/L (1608) TAPE	0.01UF 50V K B	C089	1
AT560ZHBAE	BCML811035G	C:CERAMIC M/L (1608) TAPE	0.01UF 50V K B	C092	1
AT560ZHBAE	BCML811035G	C:CERAMIC M/L (1608) TAPE	0.01UF 50V K B	C098	1
AT560ZHBAE	BCML811035G	C:CERAMIC M/L (1608) TAPE	0.01UF 50V K B	C103	1
AT560ZHBAE	BCML811035G	C:CERAMIC M/L (1608) TAPE	0.01UF 50V K B	C107	1
AT560ZHBAE	BCML811035G	C:CERAMIC M/L (1608) TAPE	0.01UF 50V K B	C121	1
AT560ZHBAE	BCML811035G	C:CERAMIC M/L (1608) TAPE	0.01UF 50V K B	C130	1
AT560ZHBAE	BCML811035G	C:CERAMIC M/L (1608) TAPE	0.01UF 50V K B	C136	1
AT560ZHBAE	BCML811035G	C:CERAMIC M/L (1608) TAPE	0.01UF 50V K B	C154	1
AT560ZHBAE	BCML811035G	C:CERAMIC M/L (1608) TAPE	0.01UF 50V K B	C162	1
AT560ZHBAE	BCML811035G	C:CERAMIC M/L (1608) TAPE	0.01UF 50V K B	C184	1
AT560ZHBAE	BCML811035G	C:CERAMIC M/L (1608) TAPE	0.01UF 50V K B	C187	1
AT560ZHBAE	BCML811035G	C:CERAMIC M/L (1608) TAPE	0.01UF 50V K B	C195	1
AT560ZHBAE	BCML811035G	C:CERAMIC M/L (1608) TAPE	0.01UF 50V K B	C209	1
AT560ZHBAE	BCML811035G	C:CERAMIC M/L (1608) TAPE	0.01UF 50V K B	C216	1
AT560ZHBAE	BCML811035G	C:CERAMIC M/L (1608) TAPE	0.01UF 50V K B	C217	1
AT560ZHBAE	BCML811035G	C:CERAMIC M/L (1608) TAPE	0.01UF 50V K B	C218	1
AT560ZHBAE	BCML811035G	C:CERAMIC M/L (1608) TAPE	0.01UF 50V K B	C219	1
AT560ZHBAE	BCML811035G	C:CERAMIC M/L (1608) TAPE	0.01UF 50V K B	C221	1
AT560ZHBAE	BCML811035G	C:CERAMIC M/L (1608) TAPE	0.01UF 50V K B	C222	1

AT560ZHBAE	BCML811035G	C:CERAMIC M/L (1608) TAPE	0.01UF 50V K B	C223	1
AT560ZHBAE	BCML811035G	C:CERAMIC M/L (1608) TAPE	0.01UF 50V K B	C224	1
AT560ZHBAE	BCML811035G	C:CERAMIC M/L (1608) TAPE	0.01UF 50V K B	C226	1
AT560ZHBAE	BCML811035G	C:CERAMIC M/L (1608) TAPE	0.01UF 50V K B	C230	1
AT560ZHBAE	BCML811035G	C:CERAMIC M/L (1608) TAPE	0.01UF 50V K B	C236	1
AT560ZHBAE	BCML811035G	C:CERAMIC M/L (1608) TAPE	0.01UF 50V K B	C237	1
AT560ZHBAE	BCML811035G	C:CERAMIC M/L (1608) TAPE	0.01UF 50V K B	C238	1
AT560ZHBAE	BCML811035G	C:CERAMIC M/L (1608) TAPE	0.01UF 50V K B	C239	1
AT560ZHBAE	BCML811035G	C:CERAMIC M/L (1608) TAPE	0.01UF 50V K B	C241	1
AT560ZHBAE	BCML811035G	C:CERAMIC M/L (1608) TAPE	0.01UF 50V K B	C242	1
AT560ZHBAE	BCML811035G	C:CERAMIC M/L (1608) TAPE	0.01UF 50V K B	C244	1
AT560ZHBAE	BCML811035G	C:CERAMIC M/L (1608) TAPE	0.01UF 50V K B	C246	1
AT560ZHBAE	BCML811035G	C:CERAMIC M/L (1608) TAPE	0.01UF 50V K B	C252	1
AT560ZHBAE	BCML811035G	C:CERAMIC M/L (1608) TAPE	0.01UF 50V K B	C254	1
AT560ZHBAE	BCML811035G	C:CERAMIC M/L (1608) TAPE	0.01UF 50V K B	C263	1
AT560ZHBAE	BCML811035G	C:CERAMIC M/L (1608) TAPE	0.01UF 50V K B	C265	1
AT560ZHBAE	BCML811035G	C:CERAMIC M/L (1608) TAPE	0.01UF 50V K B	C267	1
AT560ZHBAE	BCML811035G	C:CERAMIC M/L (1608) TAPE	0.01UF 50V K B	C269	1
AT560ZHBAE	BCML811035G	C:CERAMIC M/L (1608) TAPE	0.01UF 50V K B	C277	1
AT560ZHBAE	BCML811035G	C:CERAMIC M/L (1608) TAPE	0.01UF 50V K B	C278	1
AT560ZHBAE	BCML811035G	C:CERAMIC M/L (1608) TAPE	0.01UF 50V K B	C285	1
AT560ZHBAE	BCML811035G	C:CERAMIC M/L (1608) TAPE	0.01UF 50V K B	C286	1
AT560ZHBAE	BCML811035G	C:CERAMIC M/L (1608) TAPE	0.01UF 50V K B	C290	1



AT560ZHBAE	BCML811035G	C:CERAMIC M/L (1608) TAPE	0.01UF 50V K B	C297	1
AT560ZHBAE	BCML811035G	C:CERAMIC M/L (1608) TAPE	0.01UF 50V K B	C301	1
AT560ZHBAE	BCML811035G	C:CERAMIC M/L (1608) TAPE	0.01UF 50V K B	C305	1
AT560ZHBAE	BCML811035G	C:CERAMIC M/L (1608) TAPE	0.01UF 50V K B	C306	1
AT560ZHBAE	BCML811035G	C:CERAMIC M/L (1608) TAPE	0.01UF 50V K B	C307	1
AT560ZHBAE	BCML811035G	C:CERAMIC M/L (1608) TAPE	0.01UF 50V K B	C312	1
AT560ZHBAE	BCML811035G	C:CERAMIC M/L (1608) TAPE	0.01UF 50V K B	C317	1
AT560ZHBAE	BCML811035G	C:CERAMIC M/L (1608) TAPE	0.01UF 50V K B	C323	1
AT560ZHBAE	BCML811035G	C:CERAMIC M/L (1608) TAPE	0.01UF 50V K B	C324	1
AT560ZHBAE	BCML811035G	C:CERAMIC M/L (1608) TAPE	0.01UF 50V K B	C325	1
AT560ZHBAE	BCML811035G	C:CERAMIC M/L (1608) TAPE	0.01UF 50V K B	C326	1
AT560ZHBAE	BCML811035G	C:CERAMIC M/L (1608) TAPE	0.01UF 50V K B	C330	1
AT560ZHBAE	BCML811035G	C:CERAMIC M/L (1608) TAPE	0.01UF 50V K B	C335	1
AT560ZHBAE	BCML811035G	C:CERAMIC M/L (1608) TAPE	0.01UF 50V K B	C336	1
AT560ZHBAE	BCML811035G	C:CERAMIC M/L (1608) TAPE	0.01UF 50V K B	C342	1
AT560ZHBAE	BCML811035G	C:CERAMIC M/L (1608) TAPE	0.01UF 50V K B	C350	1
AT560ZHBAE	BCML811035G	C:CERAMIC M/L (1608) TAPE	0.01UF 50V K B	C365	1
AT560ZHBAE	BCML811035G	C:CERAMIC M/L (1608) TAPE	0.01UF 50V K B	C370	1
AT560ZHBAE	BCML811035G	C:CERAMIC M/L (1608) TAPE	0.01UF 50V K B	C373	1
AT560ZHBAE	BCML811035G	C:CERAMIC M/L (1608) TAPE	0.01UF 50V K B	C405	1
AT560ZHBAE	BCML811035G	C:CERAMIC M/L (1608) TAPE	0.01UF 50V K B	C407	1
AT560ZHBAE	BCML811035G	C:CERAMIC M/L (1608) TAPE	0.01UF 50V K B	C412	1
AT560ZHBAE	BCML811035G	C:CERAMIC M/L (1608) TAPE	0.01UF 50V K B	C414	1

AT560ZHBAE	BCML811035G	C:CERAMIC M/L (1608) TAPE	0.01UF 50V K B	C420	1
AT560ZHBAE	BCML811035G	C:CERAMIC M/L (1608) TAPE	0.01UF 50V K B	C421	1
AT560ZHBAE	BCML811035G	C:CERAMIC M/L (1608) TAPE	0.01UF 50V K B	C423	1
AT560ZHBAE	BCML811035G	C:CERAMIC M/L (1608) TAPE	0.01UF 50V K B	C425	1
AT560ZHBAE	BCML811035G	C:CERAMIC M/L (1608) TAPE	0.01UF 50V K B	C426	1
AT560ZHBAE	BCML811035G	C:CERAMIC M/L (1608) TAPE	0.01UF 50V K B	C434	1
AT560ZHBAE	BCML811035G	C:CERAMIC M/L (1608) TAPE	0.01UF 50V K B	C437	1
AT560ZHBAE	BCML811035G	C:CERAMIC M/L (1608) TAPE	0.01UF 50V K B	C438	1
AT560ZHBAE	BCML811035G	C:CERAMIC M/L (1608) TAPE	0.01UF 50V K B	C439	1
AT560ZHBAE	BCML811035G	C:CERAMIC M/L (1608) TAPE	0.01UF 50V K B	C441	1
AT560ZHBAE	BCML811035G	C:CERAMIC M/L (1608) TAPE	0.01UF 50V K B	C457	1
AT560ZHBAE	BCML811035G	C:CERAMIC M/L (1608) TAPE	0.01UF 50V K B	C465	1
AT560ZHBAE	BCML811035G	C:CERAMIC M/L (1608) TAPE	0.01UF 50V K B	C473	1
AT560ZHBAE	BCML811035G	C:CERAMIC M/L (1608) TAPE	0.01UF 50V K B	C481	1
AT560ZHBAE	BCML811035G	C:CERAMIC M/L (1608) TAPE	0.01UF 50V K B	C497	1
AT560ZHBAE	BCML811035G	C:CERAMIC M/L (1608) TAPE	0.01UF 50V K B	C498	1
AT560ZHBAE	BCML811035G	C:CERAMIC M/L (1608) TAPE	0.01UF 50V K B	C499	1
AT560ZHBAE	BCML811535G	C:CERAMIC M/L (1608) TAPE	0.015UF 50V K B	C058	1
AT560ZHBAE	BCML811835G	C:CERAMIC M/L (1608) TAPE	0.018UF 50V K B	C448	1
AT560ZHBAE	BCML811835G	C:CERAMIC M/L (1608) TAPE	0.018UF 50V K B	C449	1
AT560ZHBAE	BCML812225G	C:CERAMIC M/L (1608) TAPE	0.0022UF 50V K B	C045	1
AT560ZHBAE	BCML812235G	C:CERAMIC M/L (1608) TAPE	0.022UF 50V K B	C067	1
AT560ZHBAE	BCML812235G	C:CERAMIC M/L (1608) TAPE	0.022UF 50V K B	C220	1

AT560ZHBAE	BCML812235G	C:CERAMIC M/L (1608) TAPE	0.022UF 50V K B	C274	1
AT560ZHBAE	BCML812235G	C:CERAMIC M/L (1608) TAPE	0.022UF 50V K B	C340	1
AT560ZHBAE	BCML812725G	C:CERAMIC M/L (1608) TAPE	0.0027UF 50V K B	C129	1
AT560ZHBAE	BCML812725G	C:CERAMIC M/L (1608) TAPE	0.0027UF 50V K B	C133	1
AT560ZHBAE	BCML814725G	C:CERAMIC M/L (1608) TAPE	0.0047UF 50V K B	C074	1
AT560ZHBAE	BCML814725G	C:CERAMIC M/L (1608) TAPE	0.0047UF 50V K B	C131	1
AT560ZHBAE	BCML814725G	C:CERAMIC M/L (1608) TAPE	0.0047UF 50V K B	C132	1
AT560ZHBAE	BCML814725G	C:CERAMIC M/L (1608) TAPE	0.0047UF 50V K B	C138	1
AT560ZHBAE	BCML814725G	C:CERAMIC M/L (1608) TAPE	0.0047UF 50V K B	C163	1
AT560ZHBAE	BCML814725G	C:CERAMIC M/L (1608) TAPE	0.0047UF 50V K B	C287	1
AT560ZHBAE	BCML814735G	C:CERAMIC M/L (1608) TAPE	0.047UF 50V K B	C053	1
AT560ZHBAE	BCML814735G	C:CERAMIC M/L (1608) TAPE	0.047UF 50V K B	C057	1
AT560ZHBAE	BCML814735G	C:CERAMIC M/L (1608) TAPE	0.047UF 50V K B	C099	1
AT560ZHBAE	BCML814735G	C:CERAMIC M/L (1608) TAPE	0.047UF 50V K B	C442	1
AT560ZHBAE	BCML814735G	C:CERAMIC M/L (1608) TAPE	0.047UF 50V K B	C452	1
AT560ZHBAE	BCML814735G	C:CERAMIC M/L (1608) TAPE	0.047UF 50V K B	C475	1
AT560ZHBAE	BCML901055G	C:CERAMIC M/L (1608) TAPE	1UF 6.3V K B	C141	1
AT560ZHBAE	BCML901055G	C:CERAMIC M/L (1608) TAPE	1UF 6.3V K B	C271	1
AT560ZHBAE	BCML901055G	C:CERAMIC M/L (1608) TAPE	1UF 6.3V K B	C430	1
AT560ZHBAE	BCMM811002G	C:CERAMIC M/L (1608) TAPE	10PF 50V D CH	C087	1
AT560ZHBAE	BCMM811002G	C:CERAMIC M/L (1608) TAPE	10PF 50V D CH	C262	1
AT560ZHBAE	BCMM811002G	C:CERAMIC M/L (1608) TAPE	10PF 50V D CH	C264	1
AT560ZHBAE	BCMM811002G	C:CERAMIC M/L (1608) TAPE	10PF 50V D CH	C275	1

AT560ZHBAE	BCMM811002G	C:CERAMIC M/L (1608) TAPE	10PF 50V D CH	C419	1
AT560ZHBAE	BCMM811002G	C:CERAMIC M/L (1608) TAPE	10PF 50V D CH	C422	1
AT560ZHBAE	BCMM811002G	C:CERAMIC M/L (1608) TAPE	10PF 50V D CH	C427	1
AT560ZHBAE	BCMM811002G	C:CERAMIC M/L (1608) TAPE	10PF 50V D CH	C432	1
AT560ZHBAE	BCMM811002G	C:CERAMIC M/L (1608) TAPE	10PF 50V D CH	C487	1
AT560ZHBAE	BCMM811014G	C:CERAMIC M/L (1608) TAPE	100PF 50V J CH	C083	1
AT560ZHBAE	BCMM811014G	C:CERAMIC M/L (1608) TAPE	100PF 50V J CH	C157	1
AT560ZHBAE	BCMM811014G	C:CERAMIC M/L (1608) TAPE	100PF 50V J CH	C228	1
AT560ZHBAE	BCMM811014G	C:CERAMIC M/L (1608) TAPE	100PF 50V J CH	C338	1
AT560ZHBAE	BCMM811014G	C:CERAMIC M/L (1608) TAPE	100PF 50V J CH	C404	1
AT560ZHBAE	BCMM811014G	C:CERAMIC M/L (1608) TAPE	100PF 50V J CH	C454	1
AT560ZHBAE	BCMM811014G	C:CERAMIC M/L (1608) TAPE	100PF 50V J CH	C461	1
AT560ZHBAE	BCMM811214G	C:CERAMIC M/L (1608) TAPE	120PF 50V J CH	C258	1
AT560ZHBAE	BCMM811504G	C:CERAMIC M/L (1608) TAPE	15PF 50V J CH	C302	1
AT560ZHBAE	BCMM811504G	C:CERAMIC M/L (1608) TAPE	15PF 50V J CH	C320	1
AT560ZHBAE	BCMM811504G	C:CERAMIC M/L (1608) TAPE	15PF 50V J CH	C406	1
AT560ZHBAE	BCMM811504G	C:CERAMIC M/L (1608) TAPE	15PF 50V J CH	C413	1
AT560ZHBAE	BCMM811514G	C:CERAMIC M/L (1608) TAPE	150PF 50V J CH	C019	1
AT560ZHBAE	BCMM811514G	C:CERAMIC M/L (1608) TAPE	150PF 50V J CH	C091	1
AT560ZHBAE	BCMM811514G	C:CERAMIC M/L (1608) TAPE	150PF 50V J CH	C272	1
AT560ZHBAE	BCMM811514G	C:CERAMIC M/L (1608) TAPE	150PF 50V J CH	C374	1
AT560ZHBAE	BCMM811514G	C:CERAMIC M/L (1608) TAPE	150PF 50V J CH	C416	1
AT560ZHBAE	BCMM811804G	C:CERAMIC M/L (1608) TAPE	18PF 50V J CH	C035	1

AT560ZHBAE	BCMM811804G	C:CERAMIC M/L (1608) TAPE	18PF 50V J CH	C304	1
AT560ZHBAE	BCMM811814G	C:CERAMIC M/L (1608) TAPE	180PF 50V J CH	C403	1
AT560ZHBAE	BCMM811814G	C:CERAMIC M/L (1608) TAPE	180PF 50V J CH	C417	1
AT560ZHBAE	BCMM812098G	C: CERAMIC M/L (1608) TAPE	2PF 50V B CH	C151	1
AT560ZHBAE	BCMM812098G	C: CERAMIC M/L (1608) TAPE	2PF 50V B CH	C248	1
AT560ZHBAE	BCMM812204G	C:CERAMIC M/L (1608) TAPE	22PF 50V J CH	C085	1
AT560ZHBAE	BCMM812204G	C:CERAMIC M/L (1608) TAPE	22PF 50V J CH	C153	1
AT560ZHBAE	BCMM812204G	C:CERAMIC M/L (1608) TAPE	22PF 50V J CH	C402	1
AT560ZHBAE	BCMM812204G	C:CERAMIC M/L (1608) TAPE	22PF 50V J CH	C431	1
AT560ZHBAE	BCMM812214G	C:CERAMIC M/L (1608) TAPE	220PF 50V J CH	C018	1
AT560ZHBAE	BCMM812214G	C:CERAMIC M/L (1608) TAPE	220PF 50V J CH	C369	1
AT560ZHBAE	BCMM812704G	C:CERAMIC M/L (1608) TAPE	27PF 50V J CH	C055	1
AT560ZHBAE	BCMM812704G	C:CERAMIC M/L (1608) TAPE	27PF 50V J CH	C292	1
AT560ZHBAE	BCMM812704G	C:CERAMIC M/L (1608) TAPE	27PF 50V J CH	C368	1
AT560ZHBAE	BCMM813098G	C: CERAMIC M/L (1608) TAPE	3PF 50V B CH	C041	1
AT560ZHBAE	BCMM813098G	C: CERAMIC M/L (1608) TAPE	3PF 50V B CH	C042	1
AT560ZHBAE	BCMM813098G	C: CERAMIC M/L (1608) TAPE	3PF 50V B CH	C093	1
AT560ZHBAE	BCMM813098G	C: CERAMIC M/L (1608) TAPE	3PF 50V B CH	C260	1
AT560ZHBAE	BCMM813098G	C: CERAMIC M/L (1608) TAPE	3PF 50V B CH	C266	1
AT560ZHBAE	BCMM813098G	C: CERAMIC M/L (1608) TAPE	3PF 50V B CH	C303	1
AT560ZHBAE	BCMM813304G	C:CERAMIC M/L (1608) TAPE	33PF 50V J CH	C298	1
AT560ZHBAE	BCMM813304G	C:CERAMIC M/L (1608) TAPE	33PF 50V J CH	C456	1
AT560ZHBAE	BCMM813314G	C:CERAMIC M/L (1608) TAPE	330PF 50V J CH	C164	1

AT560ZHBAE	BCMM813314G	C:CERAMIC M/L (1608) TAPE	330PF 50V J CH	C462	1
AT560ZHBAE	BCMM813904G	C:CERAMIC M/L (1608) TAPE	39PF 50V J CH	C008	1
AT560ZHBAE	BCMM813904G	C:CERAMIC M/L (1608) TAPE	39PF 50V J CH	C010	1
AT560ZHBAE	BCMM813904G	C:CERAMIC M/L (1608) TAPE	39PF 50V J CH	C255	1
AT560ZHBAE	BCMM813904G	C:CERAMIC M/L (1608) TAPE	39PF 50V J CH	C289	1
AT560ZHBAE	BCMM813904G	C:CERAMIC M/L (1608) TAPE	39PF 50V J CH	C328	1
AT560ZHBAE	BCMM813914G	C:CERAMIC M/L (1608) TAPE	390PF 50V J CH	C159	1
AT560ZHBAE	BCMM813914G	C:CERAMIC M/L (1608) TAPE	390PF 50V J CH	C225	1
AT560ZHBAE	BCMM813914G	C:CERAMIC M/L (1608) TAPE	390PF 50V J CH	C455	1
AT560ZHBAE	BCMM814098G	C:CERAMIC M/L (1608) TAPE	4PF 50V B CH	C268	1
AT560ZHBAE	BCMM814098G	C:CERAMIC M/L (1608) TAPE	4PF 50V B CH	C415	1
AT560ZHBAE	BCMM814704G	C:CERAMIC M/L (1608) TAPE	47PF 50V J CH	C016	1
AT560ZHBAE	BCMM814704G	C:CERAMIC M/L (1608) TAPE	47PF 50V J CH	C043	1
AT560ZHBAE	BCMM814704G	C:CERAMIC M/L (1608) TAPE	47PF 50V J CH	C095	1
AT560ZHBAE	BCMM814704G	C:CERAMIC M/L (1608) TAPE	47PF 50V J CH	C261	1
AT560ZHBAE	BCMM814714G	C:CERAMIC M/L (1608) TAPE	470PF 50V J CH	C004	1
AT560ZHBAE	BCMM815098G	C: CERAMIC M/L (1608) TAPE	5PF 50V B CH	C009	1
AT560ZHBAE	BCMM815098G	C: CERAMIC M/L (1608) TAPE	5PF 50V B CH	C011	1
AT560ZHBAE	BCMM815098G	C: CERAMIC M/L (1608) TAPE	5PF 50V B CH	C013	1
AT560ZHBAE	BCMM815098G	C: CERAMIC M/L (1608) TAPE	5PF 50V B CH	C030	1
AT560ZHBAE	BCMM815098G	C: CERAMIC M/L (1608) TAPE	5PF 50V B CH	C086	1
AT560ZHBAE	BCMM815098G	C: CERAMIC M/L (1608) TAPE	5PF 50V B CH	C094	1
AT560ZHBAE	BCMM815098G	C: CERAMIC M/L (1608) TAPE	5PF 50V B CH	C096	1

AT560ZHBAE	BCMM816091G	C: CERAMIC M/L (1608) TAPE	6PF 50V C CH	C036	1
AT560ZHBAE	BCMM816091G	C: CERAMIC M/L (1608) TAPE	6PF 50V C CH	C097	1
AT560ZHBAE	BCMM816091G	C: CERAMIC M/L (1608) TAPE	6PF 50V C CH	C319	1
AT560ZHBAE	BCMM816814G	C:CERAMIC M/L (1608) TAPE	680PF 50V J CH	C450	1
AT560ZHBAE	BCMM818204G	C:CERAMIC M/L (1608) TAPE	82PF 50V J CH	C232	1
AT560ZHBAE	BCMM818204G	C:CERAMIC M/L (1608) TAPE	82PF 50V J CH	C257	1
AT560ZHBAE	BCMM818204G	C:CERAMIC M/L (1608) TAPE	82PF 50V J CH	C460	1
AT560ZHBAE	BCMP811804G	C:CERAMIC M/L (1608) TAPE	18PF 50V J UJ	C280	1
AT560ZHBAE	BCMP811814G	C:CERAMIC M/L (1608) TAPE	180PF 50V J UJ	C279	1
AT560ZHBAE	BCMP812204G	C:CERAMIC M/L (1608) TAPE	22PF 50V J UJ	C281	1
AT560ZHBAE	BCMP812714G	C:CERAMIC M/L (1608) TAPE	270PF 50V J UJ	C276	1
AT560ZHBAE	BCMP815604G	C:CERAMIC M/L (1608) TAPE	56PF 50V J UJ	C282	1
AT560ZHBAE	BCMP816092G	C:CERAMIC M/L (1608) TAPE	6PF 50V D UJ	C231	1
AT560ZHBAE	BCSH111006G	C:TANTALUM CHIP TAPE	10UF 10V M C-122 TAPE	C428	1
AT560ZHBAE	BCSH312295G	C:TANTALUM CHIP TAPE	2.2UF 16V K C-122 TAPE	C410	1
AT560ZHBAE	BCSH662286G	CAPACITOR:TANTALUM CHIP	0.22UF 35V M C-122 TAPE	C408	1
AT560ZHBAE	BCXT811035G	C:CERAMIC M/L (2125) TAPE	0.01UF 50V K B	C376	1
AT560ZHBAE	BCZG0249001	C:CERAMIC(1608)	CZ-249 TMK107SD472JA-T	C411	1
AT560ZHBAE	BCZG0316007	C:CERAMIC	CZ-316 GRM188B11C104KA01D	C077	1
AT560ZHBAE	BCZG0316007	C:CERAMIC	CZ-316 GRM188B11C104KA01D	C081	1
AT560ZHBAE	BDAG0433001	DIODE	RLS4148 TE11	D201	1
AT560ZHBAE	BDAG0433001	DIODE	RLS4148 TE11	D203	1
AT560ZHBAE	BDAG0433001	DIODE	RLS4148 TE11	D205	1

AT560ZHBAE	BDAG0433001	DIODE	RLS4148 TE11	D211	1
AT560ZHBAE	BDAG1220004	DIODE:ZENER	UDZS F 5.1B TE-17	D407	1
AT560ZHBAE	BDAG1220012	DIODE:ZENER	UDZS F 12B TE-17	D308	1
AT560ZHBAE	BDAG1220015	DIODE:ZENER	UDZS F 7.5B TE-17	D024	1
AT560ZHBAE	BDAG1220015	DIODE:ZENER	UDZS F 7.5B TE-17	D025	1
AT560ZHBAE	BDAG1220015	DIODE:ZENER	UDZS F 7.5B TE-17	D409	1
AT560ZHBAE	BDAG1220015	DIODE:ZENER	UDZS F 7.5B TE-17	D454	1
AT560ZHBAE	BDAG1220016	DIODE:ZENER	UDZS F 3.0B TE-17	D452	1
AT560ZHBAE	BDAG1265001	DIODE	DA-1265 1SS226(TE85L,F)	D131	1
AT560ZHBAE	BDAG1265001	DIODE	DA-1265 1SS226(TE85L,F)	D403	1
AT560ZHBAE	BDAG1269001	DIODE	KDS114E-RTK/P	D271	1
AT560ZHBAE	BDAG1269001	DIODE	KDS114E-RTK/P	D272	1
AT560ZHBAE	BDAG1269001	DIODE	KDS114E-RTK/P	D275	1
AT560ZHBAE	BDAG1269001	DIODE	KDS114E-RTK/P	D398	1
AT560ZHBAE	BDAG1269001	DIODE	KDS114E-RTK/P	D399	1
AT560ZHBAE	BDAG1270001	DIODE	KDS160E-RTK/P	D005	1
AT560ZHBAE	BDAG1270001	DIODE	KDS160E-RTK/P	D012	1
AT560ZHBAE	BDAG1270001	DIODE	KDS160E-RTK/P	D014	1
AT560ZHBAE	BDAG1270001	DIODE	KDS160E-RTK/P	D015	1
AT560ZHBAE	BDAG1270001	DIODE	KDS160E-RTK/P	D017	1
AT560ZHBAE	BDAG1270001	DIODE	KDS160E-RTK/P	D019	1
AT560ZHBAE	BDAG1270001	DIODE	KDS160E-RTK/P	D023	1
AT560ZHBAE	BDAG1270001	DIODE	KDS160E-RTK/P	D061	1



AT560ZHBAE	BDAG1270001	DIODE	KDS160E-RTK/P	D132	1
AT560ZHBAE	BDAG1270001	DIODE	KDS160E-RTK/P	D152	1
AT560ZHBAE	BDAG1270001	DIODE	KDS160E-RTK/P	D202	1
AT560ZHBAE	BDAG1270001	DIODE	KDS160E-RTK/P	D207	1
AT560ZHBAE	BDAG1270001	DIODE	KDS160E-RTK/P	D214	1
AT560ZHBAE	BDAG1270001	DIODE	KDS160E-RTK/P	D218	1
AT560ZHBAE	BDAG1270001	DIODE	KDS160E-RTK/P	D225	1
AT560ZHBAE	BDAG1270001	DIODE	KDS160E-RTK/P	D273	1
AT560ZHBAE	BDAG1270001	DIODE	KDS160E-RTK/P	D274	1
AT560ZHBAE	BDAG1270001	DIODE	KDS160E-RTK/P	D408	1
AT560ZHBAE	BDAG1270001	DIODE	KDS160E-RTK/P	D451	1
AT560ZHBAE	BDAG1272001	DIODE	HVC358BTRF-E	D022	1
AT560ZHBAE	BDAG1272001	DIODE	HVC358BTRF-E	D217	1
AT560ZHBAE	BDAG1274001	DIODE	DA-1274 MA2J72800L	D018	1
AT560ZHBAE	BDAG1274001	DIODE	DA-1274 MA2J72800L	D208	1
AT560ZHBAE	BDAG1274001	DIODE	DA-1274 MA2J72800L	D209	1
AT560ZHBAE	BDAG1280001	DIODE:VARICAP	HVU307 TRU-E	D003	1
AT560ZHBAE	BDAG1280001	DIODE:VARICAP	HVU307 TRU-E	D004	1
AT560ZHBAE	BDAG1280001	DIODE:VARICAP	HVU307 TRU-E	D006	1
AT560ZHBAE	BDAG1280001	DIODE:VARICAP	HVU307 TRU-E	D007	1
AT560ZHBAE	BDAG1280001	DIODE:VARICAP	HVU307 TRU-E	D013	1
AT560ZHBAE	BDAG1280001	DIODE:VARICAP	HVU307 TRU-E	D212	1
AT560ZHBAE	BDAG1280001	DIODE:VARICAP	HVU307 TRU-E	D213	1

AT560ZHBAE	BDAG1280001	DIODE:VARICAP	HVU307 TRU-E	D402	1
AT560ZHBAE	BDAG1280001	DIODE:VARICAP	HVU307 TRU-E	D405	1
AT560ZHBAE	BDAG1285001	DIODE	HSM88AS TL-E	D011	1
AT560ZHBAE	BDAG1285001	DIODE	HSM88AS TL-E	D016	1
AT560ZHBAE	BDAG1285001	DIODE	HSM88AS TL-E	D151	1
AT560ZHBAE	BDAG1285001	DIODE	HSM88AS TL-E	D204	1
AT560ZHBAE	BDAG1285001	DIODE	HSM88AS TL-E	D206	1
AT560ZHBAE	BDAG1285001	DIODE	HSM88AS TL-E	D453	1
AT560ZHBAE	BDAG1285001	DIODE	HSM88AS TL-E	D455	1
AT560ZHBAE	BDAG1326001	DIODE	1SS184 ( TE85L,F)	D008	1
AT560ZHBAE	BDAG1326001	DIODE	1SS184 ( TE85L,F)	D009	1
AT560ZHBAE	BDAG1326001	DIODE	1SS184 ( TE85L,F)	D010	1
AT560ZHBAE	BDAG1326001	DIODE	1SS184 ( TE85L,F)	D020	1
AT560ZHBAE	BDAG1326001	DIODE	1SS184 ( TE85L,F)	D021	1
AT560ZHBAE	BDAG1326001	DIODE	1SS184 ( TE85L,F)	D215	1
AT560ZHBAE	BDAG1326001	DIODE	1SS184 ( TE85L,F)	D301	1
AT560ZHBAE	BDAG1326001	DIODE	1SS184 ( TE85L,F)	D302	1
AT560ZHBAE	BDAG1326001	DIODE	1SS184 ( TE85L,F)	D303	1
AT560ZHBAE	BDAG1326001	DIODE	1SS184 ( TE85L,F)	D304	1
AT560ZHBAE	BDAG1326001	DIODE	1SS184 ( TE85L,F)	D456	1
AT560ZHBAE	BDAG1326001	DIODE	1SS184 ( TE85L,F)	D457	1
AT560ZHBAE	BDAG1383001	DIODE	GD 1N5401-B5-GP	D051	1
AT560ZHBAE	BDAG1387001	DIODE:VARICAP	HVU200A-TRU-E	D401	1

AT560ZHBAE	BDAG1387001	DIODE:VARICAP	HVU200A-TRU-E	D404	1
AT560ZHBAE	BDAG1471001	DIODE	DA-1471 HSU277 TRF-E	D001	1
AT560ZHBAE	BDAG1471001	DIODE	DA-1471 HSU277 TRF-E	D002	1
AT560ZHBAE	BDBJ0950558	TRANSISTOR	DB-095 2SA950-Y(F)	Q302	1
AT560ZHBAE	BDBJ0950558	TRANSISTOR	DB-095 2SA950-Y(F)	Q303	1
AT560ZHBAE	BDBJ1235730	TRANSISTOR	DB-089 2SA1235A-T112-1F	Q155	1
AT560ZHBAE	BDBJ1235730	TRANSISTOR	DB-089 2SA1235A-T112-1F	Q206	1
AT560ZHBAE	BDBJ1235730	TRANSISTOR	DB-089 2SA1235A-T112-1F	Q214	1
AT560ZHBAE	BDBJ1235730	TRANSISTOR	DB-089 2SA1235A-T112-1F	Q224	1
AT560ZHBAE	BDBJ1235730	TRANSISTOR	DB-089 2SA1235A-T112-1F	Q454	1
AT560ZHBAE	BDBL0941112	TRANSISTOR	DB-1212 2SC941TM-Y(TPE2,F)	Q202	1
AT560ZHBAE	BDBL2412117	TRANSISTOR	DB-1278 2SC2412KT146R	Q013	1
AT560ZHBAE	BDBL2412117	TRANSISTOR	DB-1278 2SC2412KT146R	Q014	1
AT560ZHBAE	BDBL2412117	TRANSISTOR	DB-1278 2SC2412KT146R	Q017	1
AT560ZHBAE	BDBL2412117	TRANSISTOR	DB-1278 2SC2412KT146R	Q021	1
AT560ZHBAE	BDBL2412117	TRANSISTOR	DB-1278 2SC2412KT146R	Q026	1
AT560ZHBAE	BDBL2412117	TRANSISTOR	DB-1278 2SC2412KT146R	Q071	1
AT560ZHBAE	BDBL2412117	TRANSISTOR	DB-1278 2SC2412KT146R	Q131	1
AT560ZHBAE	BDBL2412117	TRANSISTOR	DB-1278 2SC2412KT146R	Q132	1
AT560ZHBAE	BDBL2412117	TRANSISTOR	DB-1278 2SC2412KT146R	Q154	1
AT560ZHBAE	BDBL2412117	TRANSISTOR	DB-1278 2SC2412KT146R	Q157	1
AT560ZHBAE	BDBL2412117	TRANSISTOR	DB-1278 2SC2412KT146R	Q205	1
AT560ZHBAE	BDBL2412117	TRANSISTOR	DB-1278 2SC2412KT146R	Q212	1

AT560ZHBAE	BDBL2412117	TRANSISTOR	DB-1278 2SC2412KT146R	Q272	1
AT560ZHBAE	BDBL2412117	TRANSISTOR	DB-1278 2SC2412KT146R	Q327	1
AT560ZHBAE	BDBL2412117	TRANSISTOR	DB-1278 2SC2412KT146R	Q330	1
AT560ZHBAE	BDBL2412117	TRANSISTOR	DB-1278 2SC2412KT146R	Q333	1
AT560ZHBAE	BDBL2412117	TRANSISTOR	DB-1278 2SC2412KT146R	Q334	1
AT560ZHBAE	BDBL2412117	TRANSISTOR	DB-1278 2SC2412KT146R	Q351	1
AT560ZHBAE	BDBL2412117	TRANSISTOR	DB-1278 2SC2412KT146R	Q352	1
AT560ZHBAE	BDBL2412117	TRANSISTOR	DB-1278 2SC2412KT146R	Q450	1
AT560ZHBAE	BDBL2412117	TRANSISTOR	DB-1278 2SC2412KT146R	Q457	1
AT560ZHBAE	BDBL2412117	TRANSISTOR	DB-1278 2SC2412KT146R	Q458	1
AT560ZHBAE	BDBL2412117	TRANSISTOR	DB-1278 2SC2412KT146R	Q459	1
AT560ZHBAE	BDBL2412117	TRANSISTOR	DB-1278 2SC2412KT146R	Q460	1
AT560ZHBAE	BDBL2714124	TRANSISTOR	DB-718 2SC2714-Y (TE85L,F)	Q001	1
AT560ZHBAE	BDBL2714124	TRANSISTOR	DB-718 2SC2714-Y (TE85L,F)	Q003	1
AT560ZHBAE	BDBL2714124	TRANSISTOR	DB-718 2SC2714-Y (TE85L,F)	Q004	1
AT560ZHBAE	BDBL2714124	TRANSISTOR	DB-718 2SC2714-Y (TE85L,F)	Q005	1
AT560ZHBAE	BDBL2714124	TRANSISTOR	DB-718 2SC2714-Y (TE85L,F)	Q006	1
AT560ZHBAE	BDBL2714124	TRANSISTOR	DB-718 2SC2714-Y (TE85L,F)	Q011	1
AT560ZHBAE	BDBL2714124	TRANSISTOR	DB-718 2SC2714-Y (TE85L,F)	Q012	1
AT560ZHBAE	BDBL2714124	TRANSISTOR	DB-718 2SC2714-Y (TE85L,F)	Q151	1
AT560ZHBAE	BDBL2714124	TRANSISTOR	DB-718 2SC2714-Y (TE85L,F)	Q153	1
AT560ZHBAE	BDBL2714124	TRANSISTOR	DB-718 2SC2714-Y (TE85L,F)	Q156	1
AT560ZHBAE	BDBL2714124	TRANSISTOR	DB-718 2SC2714-Y (TE85L,F)	Q158	1

AT560ZHBAE	BDBL2714124	TRANSISTOR	DB-718 2SC2714-Y (TE85L,F)	Q203	1
AT560ZHBAE	BDBL2714124	TRANSISTOR	DB-718 2SC2714-Y (TE85L,F)	Q204	1
AT560ZHBAE	BDBL2714124	TRANSISTOR	DB-718 2SC2714-Y (TE85L,F)	Q209	1
AT560ZHBAE	BDBL2714124	TRANSISTOR	DB-718 2SC2714-Y (TE85L,F)	Q217	1
AT560ZHBAE	BDBL2714124	TRANSISTOR	DB-718 2SC2714-Y (TE85L,F)	Q222	1
AT560ZHBAE	BDBL2714124	TRANSISTOR	DB-718 2SC2714-Y (TE85L,F)	Q228	1
AT560ZHBAE	BDBL2714124	TRANSISTOR	DB-718 2SC2714-Y (TE85L,F)	Q271	1
AT560ZHBAE	BDBL2714124	TRANSISTOR	DB-718 2SC2714-Y (TE85L,F)	Q273	1
AT560ZHBAE	BDBL2714124	TRANSISTOR	DB-718 2SC2714-Y (TE85L,F)	Q326	1
AT560ZHBAE	BDBL2714124	TRANSISTOR	DB-718 2SC2714-Y (TE85L,F)	Q402	1
AT560ZHBAE	BDBL2714124	TRANSISTOR	DB-718 2SC2714-Y (TE85L,F)	Q405	1
AT560ZHBAE	BDBL2714124	TRANSISTOR	DB-718 2SC2714-Y (TE85L,F)	Q406	1
AT560ZHBAE	BDBL2714124	TRANSISTOR	DB-718 2SC2714-Y (TE85L,F)	Q409	1
AT560ZHBAE	BDBL3243105	TRANSISTOR	DB-1211 2SC3243-T111-E	Q332	1
AT560ZHBAE	BDBL5065124	TRANSISTOR	DB-1169 2SC5065-Y(TE85R,F)	Q404	1
AT560ZHBAE	BDBM1048732	TRANSISTOR	DB-467 2SD1048-6-TB-E	Q007	1
AT560ZHBAE	BDBM1048732	TRANSISTOR	DB-467 2SD1048-6-TB-E	Q015	1
AT560ZHBAE	BDBM1048732	TRANSISTOR	DB-467 2SD1048-6-TB-E	Q016	1
AT560ZHBAE	BDBM1048732	TRANSISTOR	DB-467 2SD1048-6-TB-E	Q025	1
AT560ZHBAE	BDBM1048732	TRANSISTOR	DB-467 2SD1048-6-TB-E	Q208	1
AT560ZHBAE	BDBM1048732	TRANSISTOR	DB-467 2SD1048-6-TB-E	Q210	1
AT560ZHBAE	BDBM1048732	TRANSISTOR	DB-467 2SD1048-6-TB-E	Q453	1
AT560ZHBAE	BDBM1048732	TRANSISTOR	DB-467 2SD1048-6-TB-E	Q455	1

AT560ZHBAE	BDBM1048732	TRANSISTOR	DB-467 2SD1048-6-TB-E	Q456	1
AT560ZHBAE	BDBM1048732	TRANSISTOR	DB-467 2SD1048-6-TB-E	Q461	1
AT560ZHBAE	BDBN1124001	TRANSISTOR	DB-1124 DTC114EKA T146	Q305	1
AT560ZHBAE	BDBN1124001	TRANSISTOR	DB-1124 DTC114EKA T146	Q306	1
AT560ZHBAE	BDBN1124001	TRANSISTOR	DB-1124 DTC114EKA T146	Q308	1
AT560ZHBAE	BDBN1124001	TRANSISTOR	DB-1124 DTC114EKA T146	Q310	1
AT560ZHBAE	BDBN1124001	TRANSISTOR	DB-1124 DTC114EKA T146	Q311	1
AT560ZHBAE	BDBN1124001	TRANSISTOR	DB-1124 DTC114EKA T146	Q315	1
AT560ZHBAE	BDBN1124001	TRANSISTOR	DB-1124 DTC114EKA T146	Q316	1
AT560ZHBAE	BDBN1124001	TRANSISTOR	DB-1124 DTC114EKA T146	Q317	1
AT560ZHBAE	BDBN1124001	TRANSISTOR	DB-1124 DTC114EKA T146	Q318	1
AT560ZHBAE	BDBN1124001	TRANSISTOR	DB-1124 DTC114EKA T146	Q319	1
AT560ZHBAE	BDBN1124001	TRANSISTOR	DB-1124 DTC114EKA T146	Q320	1
AT560ZHBAE	BDBN1124001	TRANSISTOR	DB-1124 DTC114EKA T146	Q321	1
AT560ZHBAE	BDBN1124001	TRANSISTOR	DB-1124 DTC114EKA T146	Q322	1
AT560ZHBAE	BDBN1124001	TRANSISTOR	DB-1124 DTC114EKA T146	Q323	1
AT560ZHBAE	BDBN1124001	TRANSISTOR	DB-1124 DTC114EKA T146	Q324	1
AT560ZHBAE	BDBN1124001	TRANSISTOR	DB-1124 DTC114EKA T146	Q325	1
AT560ZHBAE	BDBN1124001	TRANSISTOR	DB-1124 DTC114EKA T146	Q411	1
AT560ZHBAE	BDBN1124001	TRANSISTOR	DB-1124 DTC114EKA T146	Q412	1
AT560ZHBAE	BDBN1124001	TRANSISTOR	DB-1124 DTC114EKA T146	Q464	1
AT560ZHBAE	BDBN1231124	TRANSISTOR	DB-1231 3DG471A	Q331	1
AT560ZHBAE	BDBN1266001	TRANSISTOR	DB-1266 DTC143ZKA T146	Q010	1

AT560ZHBAE	BDBN1266001	TRANSISTOR	DB-1266 DTC143ZKA T146	Q019	1
AT560ZHBAE	BDBN1266001	TRANSISTOR	DB-1266 DTC143ZKA T146	Q020	1
AT560ZHBAE	BDBN1266001	TRANSISTOR	DB-1266 DTC143ZKA T146	Q022	1
AT560ZHBAE	BDBN1266001	TRANSISTOR	DB-1266 DTC143ZKA T146	Q023	1
AT560ZHBAE	BDBN1266001	TRANSISTOR	DB-1266 DTC143ZKA T146	Q024	1
AT560ZHBAE	BDBN1266001	TRANSISTOR	DB-1266 DTC143ZKA T146	Q027	1
AT560ZHBAE	BDBN1266001	TRANSISTOR	DB-1266 DTC143ZKA T146	Q152	1
AT560ZHBAE	BDBN1266001	TRANSISTOR	DB-1266 DTC143ZKA T146	Q207	1
AT560ZHBAE	BDBN1266001	TRANSISTOR	DB-1266 DTC143ZKA T146	Q211	1
AT560ZHBAE	BDBN1266001	TRANSISTOR	DB-1266 DTC143ZKA T146	Q213	1
AT560ZHBAE	BDBN1266001	TRANSISTOR	DB-1266 DTC143ZKA T146	Q215	1
AT560ZHBAE	BDBN1266001	TRANSISTOR	DB-1266 DTC143ZKA T146	Q216	1
AT560ZHBAE	BDBN1266001	TRANSISTOR	DB-1266 DTC143ZKA T146	Q218	1
AT560ZHBAE	BDBN1266001	TRANSISTOR	DB-1266 DTC143ZKA T146	Q219	1
AT560ZHBAE	BDBN1266001	TRANSISTOR	DB-1266 DTC143ZKA T146	Q220	1
AT560ZHBAE	BDBN1266001	TRANSISTOR	DB-1266 DTC143ZKA T146	Q223	1
AT560ZHBAE	BDBN1266001	TRANSISTOR	DB-1266 DTC143ZKA T146	Q225	1
AT560ZHBAE	BDBN1266001	TRANSISTOR	DB-1266 DTC143ZKA T146	Q226	1
AT560ZHBAE	BDBN1266001	TRANSISTOR	DB-1266 DTC143ZKA T146	Q227	1
AT560ZHBAE	BDBN1266001	TRANSISTOR	DB-1266 DTC143ZKA T146	Q229	1
AT560ZHBAE	BDBN1266001	TRANSISTOR	DB-1266 DTC143ZKA T146	Q230	1
AT560ZHBAE	BDBN1266001	TRANSISTOR	DB-1266 DTC143ZKA T146	Q231	1
AT560ZHBAE	BDBN1266001	TRANSISTOR	DB-1266 DTC143ZKA T146	Q233	1

AT560ZHBAE	BDBN1266001	TRANSISTOR	DB-1266 DTC143ZKA T146	Q335	1
AT560ZHBAE	BDBN1266001	TRANSISTOR	DB-1266 DTC143ZKA T146	Q336	1
AT560ZHBAE	BDBN1266001	TRANSISTOR	DB-1266 DTC143ZKA T146	Q337	1
AT560ZHBAE	BDBN1266001	TRANSISTOR	DB-1266 DTC143ZKA T146	Q338	1
AT560ZHBAE	BDBN1266001	TRANSISTOR	DB-1266 DTC143ZKA T146	Q413	1
AT560ZHBAE	BDBN1266001	TRANSISTOR	DB-1266 DTC143ZKA T146	Q451	1
AT560ZHBAE	BDBN1266001	TRANSISTOR	DB-1266 DTC143ZKA T146	Q452	1
AT560ZHBAE	BDBN1267001	TRANSISTOR	DB-1267 DTA114YKA T146	Q159	1
AT560ZHBAE	BDBN1267001	TRANSISTOR	DB-1267 DTA114YKA T146	Q232	1
AT560ZHBAE	BDBN1267001	TRANSISTOR	DB-1267 DTA114YKA T146	Q301	1
AT560ZHBAE	BDBN1267001	TRANSISTOR	DB-1267 DTA114YKA T146	Q304	1
AT560ZHBAE	BDBN1267001	TRANSISTOR	DB-1267 DTA114YKA T146	Q307	1
AT560ZHBAE	BDBN1267001	TRANSISTOR	DB-1267 DTA114YKA T146	Q309	1
AT560ZHBAE	BDBN1267001	TRANSISTOR	DB-1267 DTA114YKA T146	Q312	1
AT560ZHBAE	BDBN1267001	TRANSISTOR	DB-1267 DTA114YKA T146	Q313	1
AT560ZHBAE	BDBN1267001	TRANSISTOR	DB-1267 DTA114YKA T146	Q314	1
AT560ZHBAE	BDBN1267001	TRANSISTOR	DB-1267 DTA114YKA T146	Q328	1
AT560ZHBAE	BDCK0210303	FIELD EFFECT TRANSISTOR	DC-310 2SK210-GR(TE85L,F)	Q002	1
AT560ZHBAE	BDCK0210303	FIELD EFFECT TRANSISTOR	DC-310 2SK210-GR(TE85L,F)	Q009	1
AT560ZHBAE	BDEG2769003	INTEGRATED CIRCUIT	BU2630F-E2	IC401	1
AT560ZHBAE	BDEG3654003	INTEGRATED CIRCUIT	NJM12904M-TE3--#ZZZB	IC003	1
AT560ZHBAE	BDEG3654003	INTEGRATED CIRCUIT	NJM12904M-TE3--#ZZZB	IC131	1
AT560ZHBAE	BDEG3654003	INTEGRATED CIRCUIT	NJM12904M-TE3--#ZZZB	IC202	1



AT560ZHBAE	BDEG3654003	INTEGRATED CIRCUIT	NJM12904M-TE3--#ZZZB	IC402	1
AT560ZHBAE	BDEG4219003	INTEGRATED CIRCUIT	NJM4558M-TE3-#ZZZB	IC451	1
AT560ZHBAE	BDEG4219003	INTEGRATED CIRCUIT	NJM4558M-TE3-#ZZZB	IC452	1
AT560ZHBAE	BDEG4222003	INERGRATED CIRCUIT	TK83361MTL-G	IC002	1
AT560ZHBAE	BDEG4251003	INTEGRATED CIRCUIT	RH5RL50AA-T1-FA	IC304	1
AT560ZHBAE	BDEG4454003	INTEGRATED CIRCUIT	NJM2746M-TE1-#ZZZB	IC001	1
AT560ZHBAE	BDEG4458003	INTEGRATED CIRCUIT	NJM13403V-TE1-#ZZZB	IC403	1
AT560ZHBAE	BDEG4622003	INTEGRATED CIRCUIT	AT24C02BN-10SU-1.8-SL383	IC302	1
AT560ZHBAE	BDEG4680003	INTEGRATED CIRCUIT	XC6109C43ANR	IC303	1
AT560ZHBAE	BDEG4807003	INTEGRATED CIRCUIT	TC4S66F(TE85L,F)	IC453	1
AT560ZHBAE	BDEG4807003	INTEGRATED CIRCUIT	TC4S66F(TE85L,F)	IC454	1
AT560ZHBAE	BDEG4808001	INTEGRATAD CIRCUIT	UPD78F0058GK-9EU-A	IC301	1
AT560ZHBAE	BDEG4809003	INTEGRATED CIRCUIT	NJM2594M-TE1-#ZZZB	IC271	1
AT560ZHBAE	BFLG0852001	FILTER:CERAMIC	FL-852 LTS455HTW	FT003	1
AT560ZHBAE	BFLG1087001	FILTER:CRYSTAL	FL-1087 10M07AZ	FT001	1
AT560ZHBAE	BFLG1132001	FILTER:CRYSTAL	FL-1132 10M04DS	FT002	1
AT560ZHBAE	BJKG1249003	JACK	JK-1249 IMSA-9210B-1-03Z058-PT1	J301	1
AT560ZHBAE	BJKG1310001	JACK:EARPHONE	JK-1310 PJ-305C	J001	1
AT560ZHBAE	BJKG1435001	JACK:MIC	JK-1435 EJM-3-0125N	J003	1
AT560ZHBAE	BLBG1225001	COIL	LB-1225 #7002BE-A0026HM	L017	1
AT560ZHBAE	BLBG1237001	COIL	LB-1237 KS2579N	L003	1
AT560ZHBAE	BLBG1239001	COIL	LB-1239 KS2585N	L004	1
AT560ZHBAE	BLBG1252001	COIL	LB-1252 KS2562RC	L007	1

AT560ZHBAE	BLBG1263001	COIL	LB-1263	L273	1
AT560ZHBAE	BLBG1263001	COIL	LB-1263	L275	1
AT560ZHBAE	BLBG1263001	COIL	LB-1263	L401	1
AT560ZHBAE	BLBG1263001	COIL	LB-1263	L405	1
AT560ZHBAE	BLBG1266001	COIL	LB-1266	L005	1
AT560ZHBAE	BLBG1266001	COIL	LB-1266	L006	1
AT560ZHBAE	BLBG1268001	COIL	LB-1268	L002	1
AT560ZHBAE	BLBG1268001	COIL	LB-1268	L214	1
AT560ZHBAE	BLBG1268001	COIL	LB-1268	L215	1
AT560ZHBAE	BLBG1269001	COIL	LB-1269	L014	1
AT560ZHBAE	BLBG1270001	COIL	LB-1270	L271	1
AT560ZHBAE	BLBG1271001	COIL	LB-1271	L008	1
AT560ZHBAE	BLBG1272001	COIL	LB-1272	L015	1
AT560ZHBAE	BLBG1272001	COIL	LB-1272	L016	1
AT560ZHBAE	BLBG1273001	COIL	LB-1273	L009	1
AT560ZHBAE	BLBG1273001	COIL	LB-1273	L151	1
AT560ZHBAE	BLBG1274001	COIL	LB-1274	L402	1
AT560ZHBAE	BLDG0087001	COIL	LD-087 L5RH3X5X1	L018	1
AT560ZHBAE	BLDG0087001	COIL	LD-087 L5RH3X5X1	L020	1
AT560ZHBAE	BLDG0087001	COIL	LD-087 L5RH3X5X1	L022	1
AT560ZHBAE	BLDG0087001	COIL	LD-087 L5RH3X5X1	L023	1
AT560ZHBAE	BLDG0087001	COIL	LD-087 L5RH3X5X1	L208	1
AT560ZHBAE	BLDG0087001	COIL	LD-087 L5RH3X5X1	L210	1

AT560ZHBAE	BLDG0252001	COIL	LD-252 3A1737RH	L501	1
AT560ZHBAE	BLDG0252001	COIL	LD-252 3A1737RH	L502	1
AT560ZHBAE	BLDG0332001	COIL	LD-332 TRM-499	L220	1
AT560ZHBAE	BLDG0332001	COIL	LD-332 TRM-499	L221	1
AT560ZHBAE	BLDG0348001	COIL	LD-348 7B2-TRB-18×10×10	L206	1
AT560ZHBAE	BLDG0348001	COIL	LD-348 7B2-TRB-18×10×10	L207	1
AT560ZHBAE	BLDG0349001	COIL	LD-349 ZKX464T040202-3695	L209	1
AT560ZHBAE	BLEG0595001	COIL	LE-595 AC1975	L201	1
AT560ZHBAE	BLEG0595001	COIL	LE-595 AC1975	L202	1
AT560ZHBAE	BLEG0595001	COIL	LE-595 AC1975	L203	1
AT560ZHBAE	BLEG0595001	COIL	LE-595 AC1975	L204	1
AT560ZHBAE	BLZG0041338	INDUCTOR:MOLDED	LZ-041 0.33UH K	L211	1
AT560ZHBAE	BLZG0041338	INDUCTOR:MOLDED	LZ-041 0.33UH K	L212	1
AT560ZHBAE	BLZG0136100	INDUCTOR:MOLDED CHIP	LZ-136 MLF1608E100KT 10UH	L010	1
AT560ZHBAE	BLZG0136100	INDUCTOR:MOLDED CHIP	LZ-136 MLF1608E100KT 10UH	L011	1
AT560ZHBAE	BLZG0136100	INDUCTOR:MOLDED CHIP	LZ-136 MLF1608E100KT 10UH	L032	1
AT560ZHBAE	BLZG0136159	INDUCTOR:MOLDED CHIP	LZ-136 MLF1608A1R5KT 1.5U	L270	1
AT560ZHBAE	BLZG0136189	INDUCTOR:MOLDED CHIP	LZ-136 MLF1608A1R8KT 1.8U	L223	1
AT560ZHBAE	BLZG0136479	INDUCTOR:MOLDED CHIP	LZ-136 MLF1608A4R7KT 4.7U	L222	1
AT560ZHBAE	BLZG0199128	INDUCTOR:MOLDED CHIP	LZ-199 ELJNDR12JF 0.12UH	L219	1
AT560ZHBAE	BLZG0199158	INDUCTOR:MOLDED CHIP	LZ-199 ELJNDR15JF 0.15UH	L217	1
AT560ZHBAE	BLZG0316100	INDUCTOR:MOLDED CHIP	LZ-316 MLF2012E100KT 10UH	L012	1
AT560ZHBAE	BLZG0316100	INDUCTOR:MOLDED CHIP	LZ-316 MLF2012E100KT 10UH	L019	1

AT560ZHBAE	BLZG0316100	INDUCTOR:MOLDED CHIP	LZ-316 MLF2012E100KT 10UH	L301	1
AT560ZHBAE	BLZG0316330	INDUCTOR:MOLDED CHIP	LZ-316 MLF2012C330KT 33UH	L021	1
AT560ZHBAE	BPBG0351AA1	PCB:MAIN	PB-351AA 1/4	B001	1
AT560ZHBAE	BPGG0185001	PLUG	PG-185 IMSA-9215H-T	PG301	1
AT560ZHBAE	BQXG0849001	CRYSTAL	QX-849 4.258996MHZ	X301	1
AT560ZHBAE	BQXG0899001	CRYSTAL	QX-899 10.241700MHZ	X401	1
AT560ZHBAE	BQXG0900001	CRYSTAL	QX-900 10.697500MHz	X271	1
AT560ZHBAE	BRFC012714G	R:CARBON FIXED CHIP(2125)	270 1/10W J TAPE	R376	1
AT560ZHBAE	BRFC016804G	R:CARBON FIXED CHIP(2125)	68 1/10W J TAPE	R377	1
AT560ZHBAE	BRFC160004G	R:CARBON FIXED CHIP(1608)	0 1/16W J TAPE	R034	1
AT560ZHBAE	BRFC160004G	R:CARBON FIXED CHIP(1608)	0 1/16W J TAPE	R104	1
AT560ZHBAE	BRFC160004G	R:CARBON FIXED CHIP(1608)	0 1/16W J TAPE	R126	1
AT560ZHBAE	BRFC160004G	R:CARBON FIXED CHIP(1608)	0 1/16W J TAPE	R177	1
AT560ZHBAE	BRFC160004G	R:CARBON FIXED CHIP(1608)	0 1/16W J TAPE	R201	1
AT560ZHBAE	BRFC160004G	R:CARBON FIXED CHIP(1608)	0 1/16W J TAPE	R225	1
AT560ZHBAE	BRFC160004G	R:CARBON FIXED CHIP(1608)	0 1/16W J TAPE	R256	1
AT560ZHBAE	BRFC160004G	R:CARBON FIXED CHIP(1608)	0 1/16W J TAPE	R269	1
AT560ZHBAE	BRFC160004G	R:CARBON FIXED CHIP(1608)	0 1/16W J TAPE	R275	1
AT560ZHBAE	BRFC160004G	R:CARBON FIXED CHIP(1608)	0 1/16W J TAPE	R283	1
AT560ZHBAE	BRFC160004G	R:CARBON FIXED CHIP(1608)	0 1/16W J TAPE	R448	1
AT560ZHBAE	BRFC160004G	R:CARBON FIXED CHIP(1608)	0 1/16W J TAPE	R528	1
AT560ZHBAE	BRFC160004G	R:CARBON FIXED CHIP(1608)	0 1/16W J TAPE	R529	1
AT560ZHBAE	BRFC160004G	R:CARBON FIXED CHIP(1608)	0 1/16W J TAPE	R530	1

AT560ZHBAE	BRFC160004G	R:CARBON FIXED CHIP(1608)	0 1/16W J TAPE	R572	1
AT560ZHBAE	BRFC160004G	R:CARBON FIXED CHIP(1608)	0 1/16W J TAPE	R583	1
AT560ZHBAE	BRFC161004G	R:CARBON FIXED CHIP(1608)	10 1/16W J TAPE	R102	1
AT560ZHBAE	BRFC161004G	R:CARBON FIXED CHIP(1608)	10 1/16W J TAPE	R156	1
AT560ZHBAE	BRFC161004G	R:CARBON FIXED CHIP(1608)	10 1/16W J TAPE	R194	1
AT560ZHBAE	BRFC161004G	R:CARBON FIXED CHIP(1608)	10 1/16W J TAPE	R208	1
AT560ZHBAE	BRFC161004G	R:CARBON FIXED CHIP(1608)	10 1/16W J TAPE	R296	1
AT560ZHBAE	BRFC161004G	R:CARBON FIXED CHIP(1608)	10 1/16W J TAPE	R576	1
AT560ZHBAE	BRFC161014G	R:CARBON FIXED CHIP(1608)	100 1/16W J TAPE	R018	1
AT560ZHBAE	BRFC161014G	R:CARBON FIXED CHIP(1608)	100 1/16W J TAPE	R036	1
AT560ZHBAE	BRFC161014G	R:CARBON FIXED CHIP(1608)	100 1/16W J TAPE	R041	1
AT560ZHBAE	BRFC161014G	R:CARBON FIXED CHIP(1608)	100 1/16W J TAPE	R051	1
AT560ZHBAE	BRFC161014G	R:CARBON FIXED CHIP(1608)	100 1/16W J TAPE	R055	1
AT560ZHBAE	BRFC161014G	R:CARBON FIXED CHIP(1608)	100 1/16W J TAPE	R065	1
AT560ZHBAE	BRFC161014G	R:CARBON FIXED CHIP(1608)	100 1/16W J TAPE	R172	1
AT560ZHBAE	BRFC161014G	R:CARBON FIXED CHIP(1608)	100 1/16W J TAPE	R176	1
AT560ZHBAE	BRFC161014G	R:CARBON FIXED CHIP(1608)	100 1/16W J TAPE	R185	1
AT560ZHBAE	BRFC161014G	R:CARBON FIXED CHIP(1608)	100 1/16W J TAPE	R250	1
AT560ZHBAE	BRFC161014G	R:CARBON FIXED CHIP(1608)	100 1/16W J TAPE	R477	1
AT560ZHBAE	BRFC161014G	R:CARBON FIXED CHIP(1608)	100 1/16W J TAPE	R492	1
AT560ZHBAE	BRFC161014G	R:CARBON FIXED CHIP(1608)	100 1/16W J TAPE	R541	1
AT560ZHBAE	BRFC161014G	R:CARBON FIXED CHIP(1608)	100 1/16W J TAPE	R575	1
AT560ZHBAE	BRFC161024G	R:CARBON FIXED CHIP(1608)	1K 1/16W J TAPE	R008	1

AT560ZHBAE	BRFC161024G	R:CARBON FIXED CHIP(1608)	1K 1/16W J TAPE	R026	1
AT560ZHBAE	BRFC161024G	R:CARBON FIXED CHIP(1608)	1K 1/16W J TAPE	R027	1
AT560ZHBAE	BRFC161024G	R:CARBON FIXED CHIP(1608)	1K 1/16W J TAPE	R062	1
AT560ZHBAE	BRFC161024G	R:CARBON FIXED CHIP(1608)	1K 1/16W J TAPE	R064	1
AT560ZHBAE	BRFC161024G	R:CARBON FIXED CHIP(1608)	1K 1/16W J TAPE	R072	1
AT560ZHBAE	BRFC161024G	R:CARBON FIXED CHIP(1608)	1K 1/16W J TAPE	R088	1
AT560ZHBAE	BRFC161024G	R:CARBON FIXED CHIP(1608)	1K 1/16W J TAPE	R124	1
AT560ZHBAE	BRFC161024G	R:CARBON FIXED CHIP(1608)	1K 1/16W J TAPE	R146	1
AT560ZHBAE	BRFC161024G	R:CARBON FIXED CHIP(1608)	1K 1/16W J TAPE	R186	1
AT560ZHBAE	BRFC161024G	R:CARBON FIXED CHIP(1608)	1K 1/16W J TAPE	R192	1
AT560ZHBAE	BRFC161024G	R:CARBON FIXED CHIP(1608)	1K 1/16W J TAPE	R214	1
AT560ZHBAE	BRFC161024G	R:CARBON FIXED CHIP(1608)	1K 1/16W J TAPE	R215	1
AT560ZHBAE	BRFC161024G	R:CARBON FIXED CHIP(1608)	1K 1/16W J TAPE	R216	1
AT560ZHBAE	BRFC161024G	R:CARBON FIXED CHIP(1608)	1K 1/16W J TAPE	R222	1
AT560ZHBAE	BRFC161024G	R:CARBON FIXED CHIP(1608)	1K 1/16W J TAPE	R228	1
AT560ZHBAE	BRFC161024G	R:CARBON FIXED CHIP(1608)	1K 1/16W J TAPE	R241	1
AT560ZHBAE	BRFC161024G	R:CARBON FIXED CHIP(1608)	1K 1/16W J TAPE	R279	1
AT560ZHBAE	BRFC161024G	R:CARBON FIXED CHIP(1608)	1K 1/16W J TAPE	R284	1
AT560ZHBAE	BRFC161024G	R:CARBON FIXED CHIP(1608)	1K 1/16W J TAPE	R290	1
AT560ZHBAE	BRFC161024G	R:CARBON FIXED CHIP(1608)	1K 1/16W J TAPE	R304	1
AT560ZHBAE	BRFC161024G	R:CARBON FIXED CHIP(1608)	1K 1/16W J TAPE	R307	1
AT560ZHBAE	BRFC161024G	R:CARBON FIXED CHIP(1608)	1K 1/16W J TAPE	R308	1
AT560ZHBAE	BRFC161024G	R:CARBON FIXED CHIP(1608)	1K 1/16W J TAPE	R309	1

AT560ZHBAE	BRFC161024G	R:CARBON FIXED CHIP(1608)	1K 1/16W J TAPE	R310	1
AT560ZHBAE	BRFC161024G	R:CARBON FIXED CHIP(1608)	1K 1/16W J TAPE	R311	1
AT560ZHBAE	BRFC161024G	R:CARBON FIXED CHIP(1608)	1K 1/16W J TAPE	R316	1
AT560ZHBAE	BRFC161024G	R:CARBON FIXED CHIP(1608)	1K 1/16W J TAPE	R317	1
AT560ZHBAE	BRFC161024G	R:CARBON FIXED CHIP(1608)	1K 1/16W J TAPE	R318	1
AT560ZHBAE	BRFC161024G	R:CARBON FIXED CHIP(1608)	1K 1/16W J TAPE	R319	1
AT560ZHBAE	BRFC161024G	R:CARBON FIXED CHIP(1608)	1K 1/16W J TAPE	R320	1
AT560ZHBAE	BRFC161024G	R:CARBON FIXED CHIP(1608)	1K 1/16W J TAPE	R322	1
AT560ZHBAE	BRFC161024G	R:CARBON FIXED CHIP(1608)	1K 1/16W J TAPE	R327	1
AT560ZHBAE	BRFC161024G	R:CARBON FIXED CHIP(1608)	1K 1/16W J TAPE	R328	1
AT560ZHBAE	BRFC161024G	R:CARBON FIXED CHIP(1608)	1K 1/16W J TAPE	R329	1
AT560ZHBAE	BRFC161024G	R:CARBON FIXED CHIP(1608)	1K 1/16W J TAPE	R330	1
AT560ZHBAE	BRFC161024G	R:CARBON FIXED CHIP(1608)	1K 1/16W J TAPE	R331	1
AT560ZHBAE	BRFC161024G	R:CARBON FIXED CHIP(1608)	1K 1/16W J TAPE	R332	1
AT560ZHBAE	BRFC161024G	R:CARBON FIXED CHIP(1608)	1K 1/16W J TAPE	R333	1
AT560ZHBAE	BRFC161024G	R:CARBON FIXED CHIP(1608)	1K 1/16W J TAPE	R334	1
AT560ZHBAE	BRFC161024G	R:CARBON FIXED CHIP(1608)	1K 1/16W J TAPE	R335	1
AT560ZHBAE	BRFC161024G	R:CARBON FIXED CHIP(1608)	1K 1/16W J TAPE	R336	1
AT560ZHBAE	BRFC161024G	R:CARBON FIXED CHIP(1608)	1K 1/16W J TAPE	R337	1
AT560ZHBAE	BRFC161024G	R:CARBON FIXED CHIP(1608)	1K 1/16W J TAPE	R338	1
AT560ZHBAE	BRFC161024G	R:CARBON FIXED CHIP(1608)	1K 1/16W J TAPE	R339	1
AT560ZHBAE	BRFC161024G	R:CARBON FIXED CHIP(1608)	1K 1/16W J TAPE	R343	1
AT560ZHBAE	BRFC161024G	R:CARBON FIXED CHIP(1608)	1K 1/16W J TAPE	R344	1

AT560ZHBAE	BRFC161024G	R:CARBON FIXED CHIP(1608)	1K 1/16W J TAPE	R345	1
AT560ZHBAE	BRFC161024G	R:CARBON FIXED CHIP(1608)	1K 1/16W J TAPE	R348	1
AT560ZHBAE	BRFC161024G	R:CARBON FIXED CHIP(1608)	1K 1/16W J TAPE	R349	1
AT560ZHBAE	BRFC161024G	R:CARBON FIXED CHIP(1608)	1K 1/16W J TAPE	R351	1
AT560ZHBAE	BRFC161024G	R:CARBON FIXED CHIP(1608)	1K 1/16W J TAPE	R352	1
AT560ZHBAE	BRFC161024G	R:CARBON FIXED CHIP(1608)	1K 1/16W J TAPE	R353	1
AT560ZHBAE	BRFC161024G	R:CARBON FIXED CHIP(1608)	1K 1/16W J TAPE	R354	1
AT560ZHBAE	BRFC161024G	R:CARBON FIXED CHIP(1608)	1K 1/16W J TAPE	R355	1
AT560ZHBAE	BRFC161024G	R:CARBON FIXED CHIP(1608)	1K 1/16W J TAPE	R356	1
AT560ZHBAE	BRFC161024G	R:CARBON FIXED CHIP(1608)	1K 1/16W J TAPE	R357	1
AT560ZHBAE	BRFC161024G	R:CARBON FIXED CHIP(1608)	1K 1/16W J TAPE	R360	1
AT560ZHBAE	BRFC161024G	R:CARBON FIXED CHIP(1608)	1K 1/16W J TAPE	R361	1
AT560ZHBAE	BRFC161024G	R:CARBON FIXED CHIP(1608)	1K 1/16W J TAPE	R362	1
AT560ZHBAE	BRFC161024G	R:CARBON FIXED CHIP(1608)	1K 1/16W J TAPE	R363	1
AT560ZHBAE	BRFC161024G	R:CARBON FIXED CHIP(1608)	1K 1/16W J TAPE	R384	1
AT560ZHBAE	BRFC161024G	R:CARBON FIXED CHIP(1608)	1K 1/16W J TAPE	R409	1
AT560ZHBAE	BRFC161024G	R:CARBON FIXED CHIP(1608)	1K 1/16W J TAPE	R436	1
AT560ZHBAE	BRFC161024G	R:CARBON FIXED CHIP(1608)	1K 1/16W J TAPE	R443	1
AT560ZHBAE	BRFC161024G	R:CARBON FIXED CHIP(1608)	1K 1/16W J TAPE	R458	1
AT560ZHBAE	BRFC161024G	R:CARBON FIXED CHIP(1608)	1K 1/16W J TAPE	R459	1
AT560ZHBAE	BRFC161024G	R:CARBON FIXED CHIP(1608)	1K 1/16W J TAPE	R461	1
AT560ZHBAE	BRFC161024G	R:CARBON FIXED CHIP(1608)	1K 1/16W J TAPE	R479	1
AT560ZHBAE	BRFC161024G	R:CARBON FIXED CHIP(1608)	1K 1/16W J TAPE	R489	1



AT560ZHBAE	BRFC161024G	R:CARBON FIXED CHIP(1608)	1K 1/16W J TAPE	R548	1
AT560ZHBAE	BRFC161024G	R:CARBON FIXED CHIP(1608)	1K 1/16W J TAPE	R559	1
AT560ZHBAE	BRFC161024G	R:CARBON FIXED CHIP(1608)	1K 1/16W J TAPE	R566	1
AT560ZHBAE	BRFC161024G	R:CARBON FIXED CHIP(1608)	1K 1/16W J TAPE	R578	1
AT560ZHBAE	BRFC161024G	R:CARBON FIXED CHIP(1608)	1K 1/16W J TAPE	R585	1
AT560ZHBAE	BRFC161024G	R:CARBON FIXED CHIP(1608)	1K 1/16W J TAPE	R587	1
AT560ZHBAE	BRFC161024G	R:CARBON FIXED CHIP(1608)	1K 1/16W J TAPE	R597	1
AT560ZHBAE	BRFC161034G	R:CARBON FIXED CHIP(1608)	10K 1/16W J TAPE	R005	1
AT560ZHBAE	BRFC161034G	R:CARBON FIXED CHIP(1608)	10K 1/16W J TAPE	R028	1
AT560ZHBAE	BRFC161034G	R:CARBON FIXED CHIP(1608)	10K 1/16W J TAPE	R063	1
AT560ZHBAE	BRFC161034G	R:CARBON FIXED CHIP(1608)	10K 1/16W J TAPE	R074	1
AT560ZHBAE	BRFC161034G	R:CARBON FIXED CHIP(1608)	10K 1/16W J TAPE	R077	1
AT560ZHBAE	BRFC161034G	R:CARBON FIXED CHIP(1608)	10K 1/16W J TAPE	R078	1
AT560ZHBAE	BRFC161034G	R:CARBON FIXED CHIP(1608)	10K 1/16W J TAPE	R081	1
AT560ZHBAE	BRFC161034G	R:CARBON FIXED CHIP(1608)	10K 1/16W J TAPE	R090	1
AT560ZHBAE	BRFC161034G	R:CARBON FIXED CHIP(1608)	10K 1/16W J TAPE	R099	1
AT560ZHBAE	BRFC161034G	R:CARBON FIXED CHIP(1608)	10K 1/16W J TAPE	R100	1
AT560ZHBAE	BRFC161034G	R:CARBON FIXED CHIP(1608)	10K 1/16W J TAPE	R114	1
AT560ZHBAE	BRFC161034G	R:CARBON FIXED CHIP(1608)	10K 1/16W J TAPE	R123	1
AT560ZHBAE	BRFC161034G	R:CARBON FIXED CHIP(1608)	10K 1/16W J TAPE	R134	1
AT560ZHBAE	BRFC161034G	R:CARBON FIXED CHIP(1608)	10K 1/16W J TAPE	R135	1
AT560ZHBAE	BRFC161034G	R:CARBON FIXED CHIP(1608)	10K 1/16W J TAPE	R140	1
AT560ZHBAE	BRFC161034G	R:CARBON FIXED CHIP(1608)	10K 1/16W J TAPE	R141	1

AT560ZHBAE	BRFC161034G	R:CARBON FIXED CHIP(1608)	10K 1/16W J TAPE	R149	1
AT560ZHBAE	BRFC161034G	R:CARBON FIXED CHIP(1608)	10K 1/16W J TAPE	R152	1
AT560ZHBAE	BRFC161034G	R:CARBON FIXED CHIP(1608)	10K 1/16W J TAPE	R158	1
AT560ZHBAE	BRFC161034G	R:CARBON FIXED CHIP(1608)	10K 1/16W J TAPE	R160	1
AT560ZHBAE	BRFC161034G	R:CARBON FIXED CHIP(1608)	10K 1/16W J TAPE	R162	1
AT560ZHBAE	BRFC161034G	R:CARBON FIXED CHIP(1608)	10K 1/16W J TAPE	R165	1
AT560ZHBAE	BRFC161034G	R:CARBON FIXED CHIP(1608)	10K 1/16W J TAPE	R166	1
AT560ZHBAE	BRFC161034G	R:CARBON FIXED CHIP(1608)	10K 1/16W J TAPE	R173	1
AT560ZHBAE	BRFC161034G	R:CARBON FIXED CHIP(1608)	10K 1/16W J TAPE	R174	1
AT560ZHBAE	BRFC161034G	R:CARBON FIXED CHIP(1608)	10K 1/16W J TAPE	R178	1
AT560ZHBAE	BRFC161034G	R:CARBON FIXED CHIP(1608)	10K 1/16W J TAPE	R189	1
AT560ZHBAE	BRFC161034G	R:CARBON FIXED CHIP(1608)	10K 1/16W J TAPE	R211	1
AT560ZHBAE	BRFC161034G	R:CARBON FIXED CHIP(1608)	10K 1/16W J TAPE	R220	1
AT560ZHBAE	BRFC161034G	R:CARBON FIXED CHIP(1608)	10K 1/16W J TAPE	R231	1
AT560ZHBAE	BRFC161034G	R:CARBON FIXED CHIP(1608)	10K 1/16W J TAPE	R237	1
AT560ZHBAE	BRFC161034G	R:CARBON FIXED CHIP(1608)	10K 1/16W J TAPE	R244	1
AT560ZHBAE	BRFC161034G	R:CARBON FIXED CHIP(1608)	10K 1/16W J TAPE	R245	1
AT560ZHBAE	BRFC161034G	R:CARBON FIXED CHIP(1608)	10K 1/16W J TAPE	R277	1
AT560ZHBAE	BRFC161034G	R:CARBON FIXED CHIP(1608)	10K 1/16W J TAPE	R291	1
AT560ZHBAE	BRFC161034G	R:CARBON FIXED CHIP(1608)	10K 1/16W J TAPE	R292	1
AT560ZHBAE	BRFC161034G	R:CARBON FIXED CHIP(1608)	10K 1/16W J TAPE	R298	1
AT560ZHBAE	BRFC161034G	R:CARBON FIXED CHIP(1608)	10K 1/16W J TAPE	R346	1
AT560ZHBAE	BRFC161034G	R:CARBON FIXED CHIP(1608)	10K 1/16W J TAPE	R347	1

AT560ZHBAE	BRFC161034G	R:CARBON FIXED CHIP(1608)	10K 1/16W J TAPE	R358	1
AT560ZHBAE	BRFC161034G	R:CARBON FIXED CHIP(1608)	10K 1/16W J TAPE	R368	1
AT560ZHBAE	BRFC161034G	R:CARBON FIXED CHIP(1608)	10K 1/16W J TAPE	R369	1
AT560ZHBAE	BRFC161034G	R:CARBON FIXED CHIP(1608)	10K 1/16W J TAPE	R371	1
AT560ZHBAE	BRFC161034G	R:CARBON FIXED CHIP(1608)	10K 1/16W J TAPE	R375	1
AT560ZHBAE	BRFC161034G	R:CARBON FIXED CHIP(1608)	10K 1/16W J TAPE	R396	1
AT560ZHBAE	BRFC161034G	R:CARBON FIXED CHIP(1608)	10K 1/16W J TAPE	R397	1
AT560ZHBAE	BRFC161034G	R:CARBON FIXED CHIP(1608)	10K 1/16W J TAPE	R399	1
AT560ZHBAE	BRFC161034G	R:CARBON FIXED CHIP(1608)	10K 1/16W J TAPE	R402	1
AT560ZHBAE	BRFC161034G	R:CARBON FIXED CHIP(1608)	10K 1/16W J TAPE	R405	1
AT560ZHBAE	BRFC161034G	R:CARBON FIXED CHIP(1608)	10K 1/16W J TAPE	R415	1
AT560ZHBAE	BRFC161034G	R:CARBON FIXED CHIP(1608)	10K 1/16W J TAPE	R432	1
AT560ZHBAE	BRFC161034G	R:CARBON FIXED CHIP(1608)	10K 1/16W J TAPE	R434	1
AT560ZHBAE	BRFC161034G	R:CARBON FIXED CHIP(1608)	10K 1/16W J TAPE	R466	1
AT560ZHBAE	BRFC161034G	R:CARBON FIXED CHIP(1608)	10K 1/16W J TAPE	R472	1
AT560ZHBAE	BRFC161034G	R:CARBON FIXED CHIP(1608)	10K 1/16W J TAPE	R473	1
AT560ZHBAE	BRFC161034G	R:CARBON FIXED CHIP(1608)	10K 1/16W J TAPE	R474	1
AT560ZHBAE	BRFC161034G	R:CARBON FIXED CHIP(1608)	10K 1/16W J TAPE	R481	1
AT560ZHBAE	BRFC161034G	R:CARBON FIXED CHIP(1608)	10K 1/16W J TAPE	R486	1
AT560ZHBAE	BRFC161034G	R:CARBON FIXED CHIP(1608)	10K 1/16W J TAPE	R487	1
AT560ZHBAE	BRFC161034G	R:CARBON FIXED CHIP(1608)	10K 1/16W J TAPE	R497	1
AT560ZHBAE	BRFC161034G	R:CARBON FIXED CHIP(1608)	10K 1/16W J TAPE	R500	1
AT560ZHBAE	BRFC161034G	R:CARBON FIXED CHIP(1608)	10K 1/16W J TAPE	R503	1

AT560ZHBAE	BRFC161034G	R:CARBON FIXED CHIP(1608)	10K 1/16W J TAPE	R504	1
AT560ZHBAE	BRFC161034G	R:CARBON FIXED CHIP(1608)	10K 1/16W J TAPE	R505	1
AT560ZHBAE	BRFC161034G	R:CARBON FIXED CHIP(1608)	10K 1/16W J TAPE	R506	1
AT560ZHBAE	BRFC161034G	R:CARBON FIXED CHIP(1608)	10K 1/16W J TAPE	R507	1
AT560ZHBAE	BRFC161034G	R:CARBON FIXED CHIP(1608)	10K 1/16W J TAPE	R508	1
AT560ZHBAE	BRFC161034G	R:CARBON FIXED CHIP(1608)	10K 1/16W J TAPE	R509	1
AT560ZHBAE	BRFC161034G	R:CARBON FIXED CHIP(1608)	10K 1/16W J TAPE	R510	1
AT560ZHBAE	BRFC161034G	R:CARBON FIXED CHIP(1608)	10K 1/16W J TAPE	R519	1
AT560ZHBAE	BRFC161034G	R:CARBON FIXED CHIP(1608)	10K 1/16W J TAPE	R520	1
AT560ZHBAE	BRFC161034G	R:CARBON FIXED CHIP(1608)	10K 1/16W J TAPE	R521	1
AT560ZHBAE	BRFC161034G	R:CARBON FIXED CHIP(1608)	10K 1/16W J TAPE	R523	1
AT560ZHBAE	BRFC161034G	R:CARBON FIXED CHIP(1608)	10K 1/16W J TAPE	R545	1
AT560ZHBAE	BRFC161034G	R:CARBON FIXED CHIP(1608)	10K 1/16W J TAPE	R554	1
AT560ZHBAE	BRFC161034G	R:CARBON FIXED CHIP(1608)	10K 1/16W J TAPE	R558	1
AT560ZHBAE	BRFC161034G	R:CARBON FIXED CHIP(1608)	10K 1/16W J TAPE	R582	1
AT560ZHBAE	BRFC161034G	R:CARBON FIXED CHIP(1608)	10K 1/16W J TAPE	R584	1
AT560ZHBAE	BRFC161034G	R:CARBON FIXED CHIP(1608)	10K 1/16W J TAPE	R591	1
AT560ZHBAE	BRFC161034G	R:CARBON FIXED CHIP(1608)	10K 1/16W J TAPE	R594	1
AT560ZHBAE	BRFC161044G	R:CARBON FIXED CHIP(1608)	100K 1/16W J TAPE	R021	1
AT560ZHBAE	BRFC161044G	R:CARBON FIXED CHIP(1608)	100K 1/16W J TAPE	R023	1
AT560ZHBAE	BRFC161044G	R:CARBON FIXED CHIP(1608)	100K 1/16W J TAPE	R079	1
AT560ZHBAE	BRFC161044G	R:CARBON FIXED CHIP(1608)	100K 1/16W J TAPE	R097	1
AT560ZHBAE	BRFC161044G	R:CARBON FIXED CHIP(1608)	100K 1/16W J TAPE	R098	1

AT560ZHBAE	BRFC161044G	R:CARBON FIXED CHIP(1608)	100K 1/16W J TAPE	R111	1
AT560ZHBAE	BRFC161044G	R:CARBON FIXED CHIP(1608)	100K 1/16W J TAPE	R122	1
AT560ZHBAE	BRFC161044G	R:CARBON FIXED CHIP(1608)	100K 1/16W J TAPE	R147	1
AT560ZHBAE	BRFC161044G	R:CARBON FIXED CHIP(1608)	100K 1/16W J TAPE	R251	1
AT560ZHBAE	BRFC161044G	R:CARBON FIXED CHIP(1608)	100K 1/16W J TAPE	R253	1
AT560ZHBAE	BRFC161044G	R:CARBON FIXED CHIP(1608)	100K 1/16W J TAPE	R254	1
AT560ZHBAE	BRFC161044G	R:CARBON FIXED CHIP(1608)	100K 1/16W J TAPE	R364	1
AT560ZHBAE	BRFC161044G	R:CARBON FIXED CHIP(1608)	100K 1/16W J TAPE	R495	1
AT560ZHBAE	BRFC161044G	R:CARBON FIXED CHIP(1608)	100K 1/16W J TAPE	R498	1
AT560ZHBAE	BRFC161054G	R:CARBON FIXED CHIP(1608)	1M 1/16W J TAPE	R299	1
AT560ZHBAE	BRFC161054G	R:CARBON FIXED CHIP(1608)	1M 1/16W J TAPE	R365	1
AT560ZHBAE	BRFC161054G	R:CARBON FIXED CHIP(1608)	1M 1/16W J TAPE	R494	1
AT560ZHBAE	BRFC161214G	R:CARBON FIXED CHIP(1608)	120 1/16W J TAPE	R267	1
AT560ZHBAE	BRFC161224G	R:CARBON FIXED CHIP(1608)	1.2K 1/16W J TAPE	R234	1
AT560ZHBAE	BRFC161224G	R:CARBON FIXED CHIP(1608)	1.2K 1/16W J TAPE	R278	1
AT560ZHBAE	BRFC161224G	R:CARBON FIXED CHIP(1608)	1.2K 1/16W J TAPE	R301	1
AT560ZHBAE	BRFC161224G	R:CARBON FIXED CHIP(1608)	1.2K 1/16W J TAPE	R302	1
AT560ZHBAE	BRFC161224G	R:CARBON FIXED CHIP(1608)	1.2K 1/16W J TAPE	R303	1
AT560ZHBAE	BRFC161224G	R:CARBON FIXED CHIP(1608)	1.2K 1/16W J TAPE	R312	1
AT560ZHBAE	BRFC161224G	R:CARBON FIXED CHIP(1608)	1.2K 1/16W J TAPE	R313	1
AT560ZHBAE	BRFC161224G	R:CARBON FIXED CHIP(1608)	1.2K 1/16W J TAPE	R314	1
AT560ZHBAE	BRFC161224G	R:CARBON FIXED CHIP(1608)	1.2K 1/16W J TAPE	R315	1
AT560ZHBAE	BRFC161224G	R:CARBON FIXED CHIP(1608)	1.2K 1/16W J TAPE	R323	1

AT560ZHBAE	BRFC161224G	R:CARBON FIXED CHIP(1608)	1.2K 1/16W J TAPE	R324	1
AT560ZHBAE	BRFC161224G	R:CARBON FIXED CHIP(1608)	1.2K 1/16W J TAPE	R325	1
AT560ZHBAE	BRFC161224G	R:CARBON FIXED CHIP(1608)	1.2K 1/16W J TAPE	R326	1
AT560ZHBAE	BRFC161224G	R:CARBON FIXED CHIP(1608)	1.2K 1/16W J TAPE	R340	1
AT560ZHBAE	BRFC161224G	R:CARBON FIXED CHIP(1608)	1.2K 1/16W J TAPE	R341	1
AT560ZHBAE	BRFC161224G	R:CARBON FIXED CHIP(1608)	1.2K 1/16W J TAPE	R342	1
AT560ZHBAE	BRFC161224G	R:CARBON FIXED CHIP(1608)	1.2K 1/16W J TAPE	R425	1
AT560ZHBAE	BRFC161234G	R:CARBON FIXED CHIP(1608)	12K 1/16W J TAPE	R069	1
AT560ZHBAE	BRFC161234G	R:CARBON FIXED CHIP(1608)	12K 1/16W J TAPE	R112	1
AT560ZHBAE	BRFC161234G	R:CARBON FIXED CHIP(1608)	12K 1/16W J TAPE	R148	1
AT560ZHBAE	BRFC161234G	R:CARBON FIXED CHIP(1608)	12K 1/16W J TAPE	R240	1
AT560ZHBAE	BRFC161234G	R:CARBON FIXED CHIP(1608)	12K 1/16W J TAPE	R374	1
AT560ZHBAE	BRFC161234G	R:CARBON FIXED CHIP(1608)	12K 1/16W J TAPE	R449	1
AT560ZHBAE	BRFC161234G	R:CARBON FIXED CHIP(1608)	12K 1/16W J TAPE	R464	1
AT560ZHBAE	BRFC161234G	R:CARBON FIXED CHIP(1608)	12K 1/16W J TAPE	R491	1
AT560ZHBAE	BRFC161234G	R:CARBON FIXED CHIP(1608)	12K 1/16W J TAPE	R588	1
AT560ZHBAE	BRFC161504G	R:CARBON FIXED CHIP(1608)	15 1/16W J TAPE	R031	1
AT560ZHBAE	BRFC161504G	R:CARBON FIXED CHIP(1608)	15 1/16W J TAPE	R171	1
AT560ZHBAE	BRFC161504G	R:CARBON FIXED CHIP(1608)	15 1/16W J TAPE	R260	1
AT560ZHBAE	BRFC161514G	R:CARBON FIXED CHIP(1608)	150 1/16W J TAPE	R037	1
AT560ZHBAE	BRFC161514G	R:CARBON FIXED CHIP(1608)	150 1/16W J TAPE	R046	1
AT560ZHBAE	BRFC161514G	R:CARBON FIXED CHIP(1608)	150 1/16W J TAPE	R169	1
AT560ZHBAE	BRFC161514G	R:CARBON FIXED CHIP(1608)	150 1/16W J TAPE	R282	1

AT560ZHBAE	BRFC161524G	R:CARBON FIXED CHIP(1608)	1.5K 1/16W J TAPE	R038	1
AT560ZHBAE	BRFC161524G	R:CARBON FIXED CHIP(1608)	1.5K 1/16W J TAPE	R110	1
AT560ZHBAE	BRFC161524G	R:CARBON FIXED CHIP(1608)	1.5K 1/16W J TAPE	R155	1
AT560ZHBAE	BRFC161524G	R:CARBON FIXED CHIP(1608)	1.5K 1/16W J TAPE	R217	1
AT560ZHBAE	BRFC161524G	R:CARBON FIXED CHIP(1608)	1.5K 1/16W J TAPE	R247	1
AT560ZHBAE	BRFC161524G	R:CARBON FIXED CHIP(1608)	1.5K 1/16W J TAPE	R276	1
AT560ZHBAE	BRFC161524G	R:CARBON FIXED CHIP(1608)	1.5K 1/16W J TAPE	R452	1
AT560ZHBAE	BRFC161524G	R:CARBON FIXED CHIP(1608)	1.5K 1/16W J TAPE	R467	1
AT560ZHBAE	BRFC161524G	R:CARBON FIXED CHIP(1608)	1.5K 1/16W J TAPE	R485	1
AT560ZHBAE	BRFC161524G	R:CARBON FIXED CHIP(1608)	1.5K 1/16W J TAPE	R589	1
AT560ZHBAE	BRFC161524G	R:CARBON FIXED CHIP(1608)	1.5K 1/16W J TAPE	R596	1
AT560ZHBAE	BRFC161534G	R:CARBON FIXED CHIP(1608)	15K 1/16W J TAPE	R066	1
AT560ZHBAE	BRFC161534G	R:CARBON FIXED CHIP(1608)	15K 1/16W J TAPE	R429	1
AT560ZHBAE	BRFC161534G	R:CARBON FIXED CHIP(1608)	15K 1/16W J TAPE	R441	1
AT560ZHBAE	BRFC161534G	R:CARBON FIXED CHIP(1608)	15K 1/16W J TAPE	R560	1
AT560ZHBAE	BRFC161544G	R:CARBON FIXED CHIP(1608)	150K 1/16W J TAPE	R057	1
AT560ZHBAE	BRFC161544G	R:CARBON FIXED CHIP(1608)	150K 1/16W J TAPE	R095	1
AT560ZHBAE	BRFC161554G	R:CARBON FIXED CHIP(1608)	1.5M 1/16W J TAPE	R108	1
AT560ZHBAE	BRFC161814G	R:CARBON FIXED CHIP(1608)	180 1/16W J TAPE	R045	1
AT560ZHBAE	BRFC161814G	R:CARBON FIXED CHIP(1608)	180 1/16W J TAPE	R252	1
AT560ZHBAE	BRFC161824G	R:CARBON FIXED CHIP(1608)	1.8K 1/16W J TAPE	R259	1
AT560ZHBAE	BRFC161834G	R:CARBON FIXED CHIP(1608)	18K 1/16W J TAPE	R388	1
AT560ZHBAE	BRFC162204G	R:CARBON FIXED CHIP(1608)	22 1/16W J TAPE	R050	1

AT560ZHBAE	BRFC162204G	R:CARBON FIXED CHIP(1608)	22 1/16W J TAPE	R188	1
AT560ZHBAE	BRFC162204G	R:CARBON FIXED CHIP(1608)	22 1/16W J TAPE	R488	1
AT560ZHBAE	BRFC162204G	R:CARBON FIXED CHIP(1608)	22 1/16W J TAPE	R501	1
AT560ZHBAE	BRFC162214G	R:CARBON FIXED CHIP(1608)	220 1/16W J TAPE	R030	1
AT560ZHBAE	BRFC162214G	R:CARBON FIXED CHIP(1608)	220 1/16W J TAPE	R040	1
AT560ZHBAE	BRFC162214G	R:CARBON FIXED CHIP(1608)	220 1/16W J TAPE	R060	1
AT560ZHBAE	BRFC162214G	R:CARBON FIXED CHIP(1608)	220 1/16W J TAPE	R085	1
AT560ZHBAE	BRFC162214G	R:CARBON FIXED CHIP(1608)	220 1/16W J TAPE	R092	1
AT560ZHBAE	BRFC162214G	R:CARBON FIXED CHIP(1608)	220 1/16W J TAPE	R184	1
AT560ZHBAE	BRFC162214G	R:CARBON FIXED CHIP(1608)	220 1/16W J TAPE	R236	1
AT560ZHBAE	BRFC162214G	R:CARBON FIXED CHIP(1608)	220 1/16W J TAPE	R271	1
AT560ZHBAE	BRFC162214G	R:CARBON FIXED CHIP(1608)	220 1/16W J TAPE	R293	1
AT560ZHBAE	BRFC162214G	R:CARBON FIXED CHIP(1608)	220 1/16W J TAPE	R295	1
AT560ZHBAE	BRFC162214G	R:CARBON FIXED CHIP(1608)	220 1/16W J TAPE	R389	1
AT560ZHBAE	BRFC162214G	R:CARBON FIXED CHIP(1608)	220 1/16W J TAPE	R419	1
AT560ZHBAE	BRFC162214G	R:CARBON FIXED CHIP(1608)	220 1/16W J TAPE	R422	1
AT560ZHBAE	BRFC162214G	R:CARBON FIXED CHIP(1608)	220 1/16W J TAPE	R442	1
AT560ZHBAE	BRFC162214G	R:CARBON FIXED CHIP(1608)	220 1/16W J TAPE	R446	1
AT560ZHBAE	BRFC162214G	R:CARBON FIXED CHIP(1608)	220 1/16W J TAPE	R451	1
AT560ZHBAE	BRFC162214G	R:CARBON FIXED CHIP(1608)	220 1/16W J TAPE	R465	1
AT560ZHBAE	BRFC162214G	R:CARBON FIXED CHIP(1608)	220 1/16W J TAPE	R483	1
AT560ZHBAE	BRFC162214G	R:CARBON FIXED CHIP(1608)	220 1/16W J TAPE	R555	1
AT560ZHBAE	BRFC162214G	R:CARBON FIXED CHIP(1608)	220 1/16W J TAPE	R567	1



AT560ZHBAE	BRFC162224G	R:CARBON FIXED CHIP(1608)	2.2K 1/16W J TAPE	R003	1
AT560ZHBAE	BRFC162224G	R:CARBON FIXED CHIP(1608)	2.2K 1/16W J TAPE	R010	1
AT560ZHBAE	BRFC162224G	R:CARBON FIXED CHIP(1608)	2.2K 1/16W J TAPE	R012	1
AT560ZHBAE	BRFC162224G	R:CARBON FIXED CHIP(1608)	2.2K 1/16W J TAPE	R017	1
AT560ZHBAE	BRFC162224G	R:CARBON FIXED CHIP(1608)	2.2K 1/16W J TAPE	R043	1
AT560ZHBAE	BRFC162224G	R:CARBON FIXED CHIP(1608)	2.2K 1/16W J TAPE	R044	1
AT560ZHBAE	BRFC162224G	R:CARBON FIXED CHIP(1608)	2.2K 1/16W J TAPE	R145	1
AT560ZHBAE	BRFC162224G	R:CARBON FIXED CHIP(1608)	2.2K 1/16W J TAPE	R248	1
AT560ZHBAE	BRFC162224G	R:CARBON FIXED CHIP(1608)	2.2K 1/16W J TAPE	R263	1
AT560ZHBAE	BRFC162224G	R:CARBON FIXED CHIP(1608)	2.2K 1/16W J TAPE	R265	1
AT560ZHBAE	BRFC162224G	R:CARBON FIXED CHIP(1608)	2.2K 1/16W J TAPE	R382	1
AT560ZHBAE	BRFC162224G	R:CARBON FIXED CHIP(1608)	2.2K 1/16W J TAPE	R393	1
AT560ZHBAE	BRFC162224G	R:CARBON FIXED CHIP(1608)	2.2K 1/16W J TAPE	R395	1
AT560ZHBAE	BRFC162224G	R:CARBON FIXED CHIP(1608)	2.2K 1/16W J TAPE	R398	1
AT560ZHBAE	BRFC162224G	R:CARBON FIXED CHIP(1608)	2.2K 1/16W J TAPE	R413	1
AT560ZHBAE	BRFC162224G	R:CARBON FIXED CHIP(1608)	2.2K 1/16W J TAPE	R414	1
AT560ZHBAE	BRFC162224G	R:CARBON FIXED CHIP(1608)	2.2K 1/16W J TAPE	R423	1
AT560ZHBAE	BRFC162224G	R:CARBON FIXED CHIP(1608)	2.2K 1/16W J TAPE	R424	1
AT560ZHBAE	BRFC162224G	R:CARBON FIXED CHIP(1608)	2.2K 1/16W J TAPE	R426	1
AT560ZHBAE	BRFC162224G	R:CARBON FIXED CHIP(1608)	2.2K 1/16W J TAPE	R435	1
AT560ZHBAE	BRFC162224G	R:CARBON FIXED CHIP(1608)	2.2K 1/16W J TAPE	R463	1
AT560ZHBAE	BRFC162224G	R:CARBON FIXED CHIP(1608)	2.2K 1/16W J TAPE	R546	1
AT560ZHBAE	BRFC162224G	R:CARBON FIXED CHIP(1608)	2.2K 1/16W J TAPE	R568	1

AT560ZHBAE	BRFC162234G	R:CARBON FIXED CHIP(1608)	22K 1/16W J TAPE	R022	1
AT560ZHBAE	BRFC162234G	R:CARBON FIXED CHIP(1608)	22K 1/16W J TAPE	R056	1
AT560ZHBAE	BRFC162234G	R:CARBON FIXED CHIP(1608)	22K 1/16W J TAPE	R182	1
AT560ZHBAE	BRFC162234G	R:CARBON FIXED CHIP(1608)	22K 1/16W J TAPE	R223	1
AT560ZHBAE	BRFC162234G	R:CARBON FIXED CHIP(1608)	22K 1/16W J TAPE	R433	1
AT560ZHBAE	BRFC162244G	R:CARBON FIXED CHIP(1608)	220K 1/16W J TAPE	R002	1
AT560ZHBAE	BRFC162244G	R:CARBON FIXED CHIP(1608)	220K 1/16W J TAPE	R006	1
AT560ZHBAE	BRFC162244G	R:CARBON FIXED CHIP(1608)	220K 1/16W J TAPE	R007	1
AT560ZHBAE	BRFC162244G	R:CARBON FIXED CHIP(1608)	220K 1/16W J TAPE	R096	1
AT560ZHBAE	BRFC162244G	R:CARBON FIXED CHIP(1608)	220K 1/16W J TAPE	R116	1
AT560ZHBAE	BRFC162244G	R:CARBON FIXED CHIP(1608)	220K 1/16W J TAPE	R131	1
AT560ZHBAE	BRFC162244G	R:CARBON FIXED CHIP(1608)	220K 1/16W J TAPE	R168	1
AT560ZHBAE	BRFC162244G	R:CARBON FIXED CHIP(1608)	220K 1/16W J TAPE	R196	1
AT560ZHBAE	BRFC162244G	R:CARBON FIXED CHIP(1608)	220K 1/16W J TAPE	R227	1
AT560ZHBAE	BRFC162244G	R:CARBON FIXED CHIP(1608)	220K 1/16W J TAPE	R281	1
AT560ZHBAE	BRFC162244G	R:CARBON FIXED CHIP(1608)	220K 1/16W J TAPE	R387	1
AT560ZHBAE	BRFC162244G	R:CARBON FIXED CHIP(1608)	220K 1/16W J TAPE	R453	1
AT560ZHBAE	BRFC162244G	R:CARBON FIXED CHIP(1608)	220K 1/16W J TAPE	R454	1
AT560ZHBAE	BRFC162244G	R:CARBON FIXED CHIP(1608)	220K 1/16W J TAPE	R455	1
AT560ZHBAE	BRFC162244G	R:CARBON FIXED CHIP(1608)	220K 1/16W J TAPE	R456	1
AT560ZHBAE	BRFC162244G	R:CARBON FIXED CHIP(1608)	220K 1/16W J TAPE	R457	1
AT560ZHBAE	BRFC162244G	R:CARBON FIXED CHIP(1608)	220K 1/16W J TAPE	R460	1
AT560ZHBAE	BRFC162254G	R:CARBON FIXED CHIP(1608)	2.2M 1/16W J TAPE	R058	1

AT560ZHBAE	BRFC162294G	R:CARBON FIXED CHIP(1608)	2.2 1/16W J TAPE	R119	1
AT560ZHBAE	BRFC162294G	R:CARBON FIXED CHIP(1608)	2.2 1/16W J TAPE	R203	1
AT560ZHBAE	BRFC162714G	R:CARBON FIXED CHIP(1608)	270 1/16W J TAPE	R009	1
AT560ZHBAE	BRFC162714G	R:CARBON FIXED CHIP(1608)	270 1/16W J TAPE	R035	1
AT560ZHBAE	BRFC162714G	R:CARBON FIXED CHIP(1608)	270 1/16W J TAPE	R053	1
AT560ZHBAE	BRFC162714G	R:CARBON FIXED CHIP(1608)	270 1/16W J TAPE	R153	1
AT560ZHBAE	BRFC162714G	R:CARBON FIXED CHIP(1608)	270 1/16W J TAPE	R181	1
AT560ZHBAE	BRFC162714G	R:CARBON FIXED CHIP(1608)	270 1/16W J TAPE	R232	1
AT560ZHBAE	BRFC162714G	R:CARBON FIXED CHIP(1608)	270 1/16W J TAPE	R268	1
AT560ZHBAE	BRFC162724G	R:CARBON FIXED CHIP(1608)	2.7K 1/16W J TAPE	R106	1
AT560ZHBAE	BRFC162724G	R:CARBON FIXED CHIP(1608)	2.7K 1/16W J TAPE	R107	1
AT560ZHBAE	BRFC162724G	R:CARBON FIXED CHIP(1608)	2.7K 1/16W J TAPE	R138	1
AT560ZHBAE	BRFC162724G	R:CARBON FIXED CHIP(1608)	2.7K 1/16W J TAPE	R238	1
AT560ZHBAE	BRFC162724G	R:CARBON FIXED CHIP(1608)	2.7K 1/16W J TAPE	R378	1
AT560ZHBAE	BRFC162724G	R:CARBON FIXED CHIP(1608)	2.7K 1/16W J TAPE	R385	1
AT560ZHBAE	BRFC162724G	R:CARBON FIXED CHIP(1608)	2.7K 1/16W J TAPE	R462	1
AT560ZHBAE	BRFC162724G	R:CARBON FIXED CHIP(1608)	2.7K 1/16W J TAPE	R586	1
AT560ZHBAE	BRFC162734G	R:CARBON FIXED CHIP(1608)	27K 1/16W J TAPE	R016	1
AT560ZHBAE	BRFC162734G	R:CARBON FIXED CHIP(1608)	27K 1/16W J TAPE	R033	1
AT560ZHBAE	BRFC162734G	R:CARBON FIXED CHIP(1608)	27K 1/16W J TAPE	R129	1
AT560ZHBAE	BRFC162734G	R:CARBON FIXED CHIP(1608)	27K 1/16W J TAPE	R394	1
AT560ZHBAE	BRFC163314G	R:CARBON FIXED CHIP(1608)	330 1/16W J TAPE	R086	1
AT560ZHBAE	BRFC163314G	R:CARBON FIXED CHIP(1608)	330 1/16W J TAPE	R159	1

AT560ZHBAE	BRFC163314G	R:CARBON FIXED CHIP(1608)	330 1/16W J TAPE	R167	1
AT560ZHBAE	BRFC163314G	R:CARBON FIXED CHIP(1608)	330 1/16W J TAPE	R179	1
AT560ZHBAE	BRFC163314G	R:CARBON FIXED CHIP(1608)	330 1/16W J TAPE	R206	1
AT560ZHBAE	BRFC163314G	R:CARBON FIXED CHIP(1608)	330 1/16W J TAPE	R294	1
AT560ZHBAE	BRFC163314G	R:CARBON FIXED CHIP(1608)	330 1/16W J TAPE	R297	1
AT560ZHBAE	BRFC163314G	R:CARBON FIXED CHIP(1608)	330 1/16W J TAPE	R305	1
AT560ZHBAE	BRFC163314G	R:CARBON FIXED CHIP(1608)	330 1/16W J TAPE	R306	1
AT560ZHBAE	BRFC163314G	R:CARBON FIXED CHIP(1608)	330 1/16W J TAPE	R359	1
AT560ZHBAE	BRFC163314G	R:CARBON FIXED CHIP(1608)	330 1/16W J TAPE	R383	1
AT560ZHBAE	BRFC163314G	R:CARBON FIXED CHIP(1608)	330 1/16W J TAPE	R517	1
AT560ZHBAE	BRFC163324G	R:CARBON FIXED CHIP(1608)	3.3K 1/16W J TAPE	R067	1
AT560ZHBAE	BRFC163324G	R:CARBON FIXED CHIP(1608)	3.3K 1/16W J TAPE	R070	1
AT560ZHBAE	BRFC163324G	R:CARBON FIXED CHIP(1608)	3.3K 1/16W J TAPE	R073	1
AT560ZHBAE	BRFC163324G	R:CARBON FIXED CHIP(1608)	3.3K 1/16W J TAPE	R075	1
AT560ZHBAE	BRFC163324G	R:CARBON FIXED CHIP(1608)	3.3K 1/16W J TAPE	R080	1
AT560ZHBAE	BRFC163324G	R:CARBON FIXED CHIP(1608)	3.3K 1/16W J TAPE	R083	1
AT560ZHBAE	BRFC163324G	R:CARBON FIXED CHIP(1608)	3.3K 1/16W J TAPE	R089	1
AT560ZHBAE	BRFC163324G	R:CARBON FIXED CHIP(1608)	3.3K 1/16W J TAPE	R093	1
AT560ZHBAE	BRFC163324G	R:CARBON FIXED CHIP(1608)	3.3K 1/16W J TAPE	R113	1
AT560ZHBAE	BRFC163324G	R:CARBON FIXED CHIP(1608)	3.3K 1/16W J TAPE	R190	1
AT560ZHBAE	BRFC163324G	R:CARBON FIXED CHIP(1608)	3.3K 1/16W J TAPE	R210	1
AT560ZHBAE	BRFC163324G	R:CARBON FIXED CHIP(1608)	3.3K 1/16W J TAPE	R246	1
AT560ZHBAE	BRFC163324G	R:CARBON FIXED CHIP(1608)	3.3K 1/16W J TAPE	R280	1

AT560ZHBAE	BRFC163324G	R:CARBON FIXED CHIP(1608)	3.3K 1/16W J TAPE	R350	1
AT560ZHBAE	BRFC163324G	R:CARBON FIXED CHIP(1608)	3.3K 1/16W J TAPE	R412	1
AT560ZHBAE	BRFC163324G	R:CARBON FIXED CHIP(1608)	3.3K 1/16W J TAPE	R417	1
AT560ZHBAE	BRFC163324G	R:CARBON FIXED CHIP(1608)	3.3K 1/16W J TAPE	R496	1
AT560ZHBAE	BRFC163324G	R:CARBON FIXED CHIP(1608)	3.3K 1/16W J TAPE	R513	1
AT560ZHBAE	BRFC163324G	R:CARBON FIXED CHIP(1608)	3.3K 1/16W J TAPE	R515	1
AT560ZHBAE	BRFC163324G	R:CARBON FIXED CHIP(1608)	3.3K 1/16W J TAPE	R539	1
AT560ZHBAE	BRFC163324G	R:CARBON FIXED CHIP(1608)	3.3K 1/16W J TAPE	R550	1
AT560ZHBAE	BRFC163324G	R:CARBON FIXED CHIP(1608)	3.3K 1/16W J TAPE	R563	1
AT560ZHBAE	BRFC163324G	R:CARBON FIXED CHIP(1608)	3.3K 1/16W J TAPE	R580	1
AT560ZHBAE	BRFC163334G	R:CARBON FIXED CHIP(1608)	33K 1/16W J TAPE	R068	1
AT560ZHBAE	BRFC163334G	R:CARBON FIXED CHIP(1608)	33K 1/16W J TAPE	R118	1
AT560ZHBAE	BRFC163334G	R:CARBON FIXED CHIP(1608)	33K 1/16W J TAPE	R154	1
AT560ZHBAE	BRFC163334G	R:CARBON FIXED CHIP(1608)	33K 1/16W J TAPE	R163	1
AT560ZHBAE	BRFC163334G	R:CARBON FIXED CHIP(1608)	33K 1/16W J TAPE	R202	1
AT560ZHBAE	BRFC163334G	R:CARBON FIXED CHIP(1608)	33K 1/16W J TAPE	R212	1
AT560ZHBAE	BRFC163334G	R:CARBON FIXED CHIP(1608)	33K 1/16W J TAPE	R476	1
AT560ZHBAE	BRFC163334G	R:CARBON FIXED CHIP(1608)	33K 1/16W J TAPE	R478	1
AT560ZHBAE	BRFC163334G	R:CARBON FIXED CHIP(1608)	33K 1/16W J TAPE	R482	1
AT560ZHBAE	BRFC163334G	R:CARBON FIXED CHIP(1608)	33K 1/16W J TAPE	R514	1
AT560ZHBAE	BRFC163334G	R:CARBON FIXED CHIP(1608)	33K 1/16W J TAPE	R516	1
AT560ZHBAE	BRFC163334G	R:CARBON FIXED CHIP(1608)	33K 1/16W J TAPE	R561	1
AT560ZHBAE	BRFC163334G	R:CARBON FIXED CHIP(1608)	33K 1/16W J TAPE	R581	1

AT560ZHBAE	BRFC163334G	R:CARBON FIXED CHIP(1608)	33K 1/16W J TAPE	R592	1
AT560ZHBAE	BRFC163344G	R:CARBON FIXED CHIP(1608)	330K 1/16W J TAPE	R164	1
AT560ZHBAE	BRFC163344G	R:CARBON FIXED CHIP(1608)	330K 1/16W J TAPE	R493	1
AT560ZHBAE	BRFC163344G	R:CARBON FIXED CHIP(1608)	330K 1/16W J TAPE	R499	1
AT560ZHBAE	BRFC163904G	R:CARBON FIXED CHIP(1608)	39 1/16W J TAPE	R205	1
AT560ZHBAE	BRFC163904G	R:CARBON FIXED CHIP(1608)	39 1/16W J TAPE	R527	1
AT560ZHBAE	BRFC163914G	R:CARBON FIXED CHIP(1608)	390 1/16W J TAPE	R042	1
AT560ZHBAE	BRFC163914G	R:CARBON FIXED CHIP(1608)	390 1/16W J TAPE	R139	1
AT560ZHBAE	BRFC163914G	R:CARBON FIXED CHIP(1608)	390 1/16W J TAPE	R380	1
AT560ZHBAE	BRFC163914G	R:CARBON FIXED CHIP(1608)	390 1/16W J TAPE	R381	1
AT560ZHBAE	BRFC163914G	R:CARBON FIXED CHIP(1608)	390 1/16W J TAPE	R439	1
AT560ZHBAE	BRFC163914G	R:CARBON FIXED CHIP(1608)	390 1/16W J TAPE	R444	1
AT560ZHBAE	BRFC163924G	R:CARBON FIXED CHIP(1608)	3.9K 1/16W J TAPE	R048	1
AT560ZHBAE	BRFC163924G	R:CARBON FIXED CHIP(1608)	3.9K 1/16W J TAPE	R071	1
AT560ZHBAE	BRFC163924G	R:CARBON FIXED CHIP(1608)	3.9K 1/16W J TAPE	R103	1
AT560ZHBAE	BRFC163924G	R:CARBON FIXED CHIP(1608)	3.9K 1/16W J TAPE	R403	1
AT560ZHBAE	BRFC163924G	R:CARBON FIXED CHIP(1608)	3.9K 1/16W J TAPE	R595	1
AT560ZHBAE	BRFC163934G	R:CARBON FIXED CHIP(1608)	39K 1/16W J TAPE	R101	1
AT560ZHBAE	BRFC163934G	R:CARBON FIXED CHIP(1608)	39K 1/16W J TAPE	R218	1
AT560ZHBAE	BRFC163934G	R:CARBON FIXED CHIP(1608)	39K 1/16W J TAPE	R404	1
AT560ZHBAE	BRFC163934G	R:CARBON FIXED CHIP(1608)	39K 1/16W J TAPE	R431	1
AT560ZHBAE	BRFC163934G	R:CARBON FIXED CHIP(1608)	39K 1/16W J TAPE	R547	1
AT560ZHBAE	BRFC163934G	R:CARBON FIXED CHIP(1608)	39K 1/16W J TAPE	R590	1

AT560ZHBAE	BRFC164704G	R:CARBON FIXED CHIP(1608)	47 1/16W J TAPE	R054	1
AT560ZHBAE	BRFC164704G	R:CARBON FIXED CHIP(1608)	47 1/16W J TAPE	R117	1
AT560ZHBAE	BRFC164704G	R:CARBON FIXED CHIP(1608)	47 1/16W J TAPE	R183	1
AT560ZHBAE	BRFC164704G	R:CARBON FIXED CHIP(1608)	47 1/16W J TAPE	R191	1
AT560ZHBAE	BRFC164704G	R:CARBON FIXED CHIP(1608)	47 1/16W J TAPE	R258	1
AT560ZHBAE	BRFC164704G	R:CARBON FIXED CHIP(1608)	47 1/16W J TAPE	R440	1
AT560ZHBAE	BRFC164704G	R:CARBON FIXED CHIP(1608)	47 1/16W J TAPE	R471	1
AT560ZHBAE	BRFC164714G	R:CARBON FIXED CHIP(1608)	470 1/16W J TAPE	R047	1
AT560ZHBAE	BRFC164714G	R:CARBON FIXED CHIP(1608)	470 1/16W J TAPE	R187	1
AT560ZHBAE	BRFC164714G	R:CARBON FIXED CHIP(1608)	470 1/16W J TAPE	R193	1
AT560ZHBAE	BRFC164714G	R:CARBON FIXED CHIP(1608)	470 1/16W J TAPE	R209	1
AT560ZHBAE	BRFC164714G	R:CARBON FIXED CHIP(1608)	470 1/16W J TAPE	R219	1
AT560ZHBAE	BRFC164714G	R:CARBON FIXED CHIP(1608)	470 1/16W J TAPE	R224	1
AT560ZHBAE	BRFC164714G	R:CARBON FIXED CHIP(1608)	470 1/16W J TAPE	R242	1
AT560ZHBAE	BRFC164714G	R:CARBON FIXED CHIP(1608)	470 1/16W J TAPE	R571	1
AT560ZHBAE	BRFC164714G	R:CARBON FIXED CHIP(1608)	470 1/16W J TAPE	R579	1
AT560ZHBAE	BRFC164724G	R:CARBON FIXED CHIP(1608)	4.7K 1/16W J TAPE	R015	1
AT560ZHBAE	BRFC164724G	R:CARBON FIXED CHIP(1608)	4.7K 1/16W J TAPE	R061	1
AT560ZHBAE	BRFC164724G	R:CARBON FIXED CHIP(1608)	4.7K 1/16W J TAPE	R084	1
AT560ZHBAE	BRFC164724G	R:CARBON FIXED CHIP(1608)	4.7K 1/16W J TAPE	R239	1
AT560ZHBAE	BRFC164724G	R:CARBON FIXED CHIP(1608)	4.7K 1/16W J TAPE	R274	1
AT560ZHBAE	BRFC164724G	R:CARBON FIXED CHIP(1608)	4.7K 1/16W J TAPE	R287	1
AT560ZHBAE	BRFC164724G	R:CARBON FIXED CHIP(1608)	4.7K 1/16W J TAPE	R288	1

AT560ZHBAE	BRFC164724G	R:CARBON FIXED CHIP(1608)	4.7K 1/16W J TAPE	R289	1
AT560ZHBAE	BRFC164724G	R:CARBON FIXED CHIP(1608)	4.7K 1/16W J TAPE	R390	1
AT560ZHBAE	BRFC164724G	R:CARBON FIXED CHIP(1608)	4.7K 1/16W J TAPE	R391	1
AT560ZHBAE	BRFC164724G	R:CARBON FIXED CHIP(1608)	4.7K 1/16W J TAPE	R484	1
AT560ZHBAE	BRFC164724G	R:CARBON FIXED CHIP(1608)	4.7K 1/16W J TAPE	R574	1
AT560ZHBAE	BRFC164724G	R:CARBON FIXED CHIP(1608)	4.7K 1/16W J TAPE	R598	1
AT560ZHBAE	BRFC164734G	R:CARBON FIXED CHIP(1608)	47K 1/16W J TAPE	R052	1
AT560ZHBAE	BRFC164734G	R:CARBON FIXED CHIP(1608)	47K 1/16W J TAPE	R059	1
AT560ZHBAE	BRFC164734G	R:CARBON FIXED CHIP(1608)	47K 1/16W J TAPE	R076	1
AT560ZHBAE	BRFC164734G	R:CARBON FIXED CHIP(1608)	47K 1/16W J TAPE	R125	1
AT560ZHBAE	BRFC164734G	R:CARBON FIXED CHIP(1608)	47K 1/16W J TAPE	R144	1
AT560ZHBAE	BRFC164734G	R:CARBON FIXED CHIP(1608)	47K 1/16W J TAPE	R175	1
AT560ZHBAE	BRFC164734G	R:CARBON FIXED CHIP(1608)	47K 1/16W J TAPE	R197	1
AT560ZHBAE	BRFC164734G	R:CARBON FIXED CHIP(1608)	47K 1/16W J TAPE	R198	1
AT560ZHBAE	BRFC164734G	R:CARBON FIXED CHIP(1608)	47K 1/16W J TAPE	R199	1
AT560ZHBAE	BRFC164734G	R:CARBON FIXED CHIP(1608)	47K 1/16W J TAPE	R257	1
AT560ZHBAE	BRFC164734G	R:CARBON FIXED CHIP(1608)	47K 1/16W J TAPE	R262	1
AT560ZHBAE	BRFC164734G	R:CARBON FIXED CHIP(1608)	47K 1/16W J TAPE	R379	1
AT560ZHBAE	BRFC164734G	R:CARBON FIXED CHIP(1608)	47K 1/16W J TAPE	R392	1
AT560ZHBAE	BRFC164734G	R:CARBON FIXED CHIP(1608)	47K 1/16W J TAPE	R400	1
AT560ZHBAE	BRFC164734G	R:CARBON FIXED CHIP(1608)	47K 1/16W J TAPE	R401	1
AT560ZHBAE	BRFC164734G	R:CARBON FIXED CHIP(1608)	47K 1/16W J TAPE	R406	1
AT560ZHBAE	BRFC164734G	R:CARBON FIXED CHIP(1608)	47K 1/16W J TAPE	R420	1



AT560ZHBAE	BRFC164734G	R:CARBON FIXED CHIP(1608)	47K 1/16W J TAPE	R427	1
AT560ZHBAE	BRFC164734G	R:CARBON FIXED CHIP(1608)	47K 1/16W J TAPE	R428	1
AT560ZHBAE	BRFC164734G	R:CARBON FIXED CHIP(1608)	47K 1/16W J TAPE	R430	1
AT560ZHBAE	BRFC164734G	R:CARBON FIXED CHIP(1608)	47K 1/16W J TAPE	R438	1
AT560ZHBAE	BRFC164734G	R:CARBON FIXED CHIP(1608)	47K 1/16W J TAPE	R511	1
AT560ZHBAE	BRFC164734G	R:CARBON FIXED CHIP(1608)	47K 1/16W J TAPE	R512	1
AT560ZHBAE	BRFC164734G	R:CARBON FIXED CHIP(1608)	47K 1/16W J TAPE	R518	1
AT560ZHBAE	BRFC164744G	R:CARBON FIXED CHIP(1608)	470K 1/16W J TAPE	R082	1
AT560ZHBAE	BRFC164744G	R:CARBON FIXED CHIP(1608)	470K 1/16W J TAPE	R150	1
AT560ZHBAE	BRFC164744G	R:CARBON FIXED CHIP(1608)	470K 1/16W J TAPE	R157	1
AT560ZHBAE	BRFC164744G	R:CARBON FIXED CHIP(1608)	470K 1/16W J TAPE	R261	1
AT560ZHBAE	BRFC165604G	R:CARBON FIXED CHIP(1608)	56 1/16W J TAPE	R170	1
AT560ZHBAE	BRFC165614G	R:CARBON FIXED CHIP(1608)	560 1/16W J TAPE	R004	1
AT560ZHBAE	BRFC165614G	R:CARBON FIXED CHIP(1608)	560 1/16W J TAPE	R032	1
AT560ZHBAE	BRFC165614G	R:CARBON FIXED CHIP(1608)	560 1/16W J TAPE	R049	1
AT560ZHBAE	BRFC165614G	R:CARBON FIXED CHIP(1608)	560 1/16W J TAPE	R087	1
AT560ZHBAE	BRFC165614G	R:CARBON FIXED CHIP(1608)	560 1/16W J TAPE	R221	1
AT560ZHBAE	BRFC165614G	R:CARBON FIXED CHIP(1608)	560 1/16W J TAPE	R226	1
AT560ZHBAE	BRFC165614G	R:CARBON FIXED CHIP(1608)	560 1/16W J TAPE	R243	1
AT560ZHBAE	BRFC165614G	R:CARBON FIXED CHIP(1608)	560 1/16W J TAPE	R249	1
AT560ZHBAE	BRFC165614G	R:CARBON FIXED CHIP(1608)	560 1/16W J TAPE	R255	1
AT560ZHBAE	BRFC165614G	R:CARBON FIXED CHIP(1608)	560 1/16W J TAPE	R272	1
AT560ZHBAE	BRFC165614G	R:CARBON FIXED CHIP(1608)	560 1/16W J TAPE	R285	1

AT560ZHBAE	BRFC165614G	R:CARBON FIXED CHIP(1608)	560 1/16W J TAPE	R410	1
AT560ZHBAE	BRFC165614G	R:CARBON FIXED CHIP(1608)	560 1/16W J TAPE	R522	1
AT560ZHBAE	BRFC165614G	R:CARBON FIXED CHIP(1608)	560 1/16W J TAPE	R549	1
AT560ZHBAE	BRFC165614G	R:CARBON FIXED CHIP(1608)	560 1/16W J TAPE	R573	1
AT560ZHBAE	BRFC165624G	R:CARBON FIXED CHIP(1608)	5.6K 1/16W J TAPE	R013	1
AT560ZHBAE	BRFC165624G	R:CARBON FIXED CHIP(1608)	5.6K 1/16W J TAPE	R014	1
AT560ZHBAE	BRFC165624G	R:CARBON FIXED CHIP(1608)	5.6K 1/16W J TAPE	R019	1
AT560ZHBAE	BRFC165624G	R:CARBON FIXED CHIP(1608)	5.6K 1/16W J TAPE	R025	1
AT560ZHBAE	BRFC165624G	R:CARBON FIXED CHIP(1608)	5.6K 1/16W J TAPE	R039	1
AT560ZHBAE	BRFC165624G	R:CARBON FIXED CHIP(1608)	5.6K 1/16W J TAPE	R091	1
AT560ZHBAE	BRFC165624G	R:CARBON FIXED CHIP(1608)	5.6K 1/16W J TAPE	R105	1
AT560ZHBAE	BRFC165624G	R:CARBON FIXED CHIP(1608)	5.6K 1/16W J TAPE	R115	1
AT560ZHBAE	BRFC165624G	R:CARBON FIXED CHIP(1608)	5.6K 1/16W J TAPE	R120	1
AT560ZHBAE	BRFC165624G	R:CARBON FIXED CHIP(1608)	5.6K 1/16W J TAPE	R128	1
AT560ZHBAE	BRFC165624G	R:CARBON FIXED CHIP(1608)	5.6K 1/16W J TAPE	R137	1
AT560ZHBAE	BRFC165624G	R:CARBON FIXED CHIP(1608)	5.6K 1/16W J TAPE	R270	1
AT560ZHBAE	BRFC165624G	R:CARBON FIXED CHIP(1608)	5.6K 1/16W J TAPE	R556	1
AT560ZHBAE	BRFC165624G	R:CARBON FIXED CHIP(1608)	5.6K 1/16W J TAPE	R562	1
AT560ZHBAE	BRFC165624G	R:CARBON FIXED CHIP(1608)	5.6K 1/16W J TAPE	R570	1
AT560ZHBAE	BRFC165624G	R:CARBON FIXED CHIP(1608)	5.6K 1/16W J TAPE	R593	1
AT560ZHBAE	BRFC165634G	R:CARBON FIXED CHIP(1608)	56K 1/16W J TAPE	R133	1
AT560ZHBAE	BRFC165634G	R:CARBON FIXED CHIP(1608)	56K 1/16W J TAPE	R273	1
AT560ZHBAE	BRFC165634G	R:CARBON FIXED CHIP(1608)	56K 1/16W J TAPE	R300	1

AT560ZHBAE	BRFC165634G	R:CARBON FIXED CHIP(1608)	56K 1/16W J TAPE	R321	1
AT560ZHBAE	BRFC165634G	R:CARBON FIXED CHIP(1608)	56K 1/16W J TAPE	R386	1
AT560ZHBAE	BRFC165634G	R:CARBON FIXED CHIP(1608)	56K 1/16W J TAPE	R408	1
AT560ZHBAE	BRFC165634G	R:CARBON FIXED CHIP(1608)	56K 1/16W J TAPE	R416	1
AT560ZHBAE	BRFC165634G	R:CARBON FIXED CHIP(1608)	56K 1/16W J TAPE	R421	1
AT560ZHBAE	BRFC165634G	R:CARBON FIXED CHIP(1608)	56K 1/16W J TAPE	R543	1
AT560ZHBAE	BRFC165644G	R:CARBON FIXED CHIP(1608)	560K 1/16W J TAPE	R136	1
AT560ZHBAE	BRFC165644G	R:CARBON FIXED CHIP(1608)	560K 1/16W J TAPE	R235	1
AT560ZHBAE	BRFC165694G	R:CARBON FIXED CHIP(1608)	5.6 1/16W J TAPE	R195	1
AT560ZHBAE	BRFC166804G	R:CARBON FIXED CHIP(1608)	68 1/16W J TAPE	R142	1
AT560ZHBAE	BRFC166804G	R:CARBON FIXED CHIP(1608)	68 1/16W J TAPE	R161	1
AT560ZHBAE	BRFC166814G	R:CARBON FIXED CHIP(1608)	680 1/16W J TAPE	R011	1
AT560ZHBAE	BRFC166814G	R:CARBON FIXED CHIP(1608)	680 1/16W J TAPE	R029	1
AT560ZHBAE	BRFC166814G	R:CARBON FIXED CHIP(1608)	680 1/16W J TAPE	R127	1
AT560ZHBAE	BRFC166814G	R:CARBON FIXED CHIP(1608)	680 1/16W J TAPE	R151	1
AT560ZHBAE	BRFC166814G	R:CARBON FIXED CHIP(1608)	680 1/16W J TAPE	R204	1
AT560ZHBAE	BRFC166814G	R:CARBON FIXED CHIP(1608)	680 1/16W J TAPE	R411	1
AT560ZHBAE	BRFC166814G	R:CARBON FIXED CHIP(1608)	680 1/16W J TAPE	R418	1
AT560ZHBAE	BRFC166824G	R:CARBON FIXED CHIP(1608)	6.8K 1/16W J TAPE	R121	1
AT560ZHBAE	BRFC166824G	R:CARBON FIXED CHIP(1608)	6.8K 1/16W J TAPE	R130	1
AT560ZHBAE	BRFC166824G	R:CARBON FIXED CHIP(1608)	6.8K 1/16W J TAPE	R200	1
AT560ZHBAE	BRFC166824G	R:CARBON FIXED CHIP(1608)	6.8K 1/16W J TAPE	R524	1
AT560ZHBAE	BRFC166824G	R:CARBON FIXED CHIP(1608)	6.8K 1/16W J TAPE	R525	1

AT560ZHBAE	BRFC166824G	R:CARBON FIXED CHIP(1608)	6.8K 1/16W J TAPE	R526	1
AT560ZHBAE	BRFC166834G	R:CARBON FIXED CHIP(1608)	68K 1/16W J TAPE	R020	1
AT560ZHBAE	BRFC166834G	R:CARBON FIXED CHIP(1608)	68K 1/16W J TAPE	R132	1
AT560ZHBAE	BRFC166834G	R:CARBON FIXED CHIP(1608)	68K 1/16W J TAPE	R213	1
AT560ZHBAE	BRFC166834G	R:CARBON FIXED CHIP(1608)	68K 1/16W J TAPE	R450	1
AT560ZHBAE	BRFC166844G	R:CARBON FIXED CHIP(1608)	680K 1/16W J TAPE	R094	1
AT560ZHBAE	BRFC166844G	R:CARBON FIXED CHIP(1608)	680K 1/16W J TAPE	R490	1
AT560ZHBAE	BRFC166844G	R:CARBON FIXED CHIP(1608)	680K 1/16W J TAPE	R502	1
AT560ZHBAE	BRFC168214G	R:CARBON FIXED CHIP(1608)	820 1/16W J TAPE	R024	1
AT560ZHBAE	BRFC168214G	R:CARBON FIXED CHIP(1608)	820 1/16W J TAPE	R143	1
AT560ZHBAE	BRFC168214G	R:CARBON FIXED CHIP(1608)	820 1/16W J TAPE	R207	1
AT560ZHBAE	BRFC168214G	R:CARBON FIXED CHIP(1608)	820 1/16W J TAPE	R266	1
AT560ZHBAE	BRFC168214G	R:CARBON FIXED CHIP(1608)	820 1/16W J TAPE	R468	1
AT560ZHBAE	BRFC168224G	R:CARBON FIXED CHIP(1608)	8.2K 1/16W J TAPE	R109	1
AT560ZHBAE	BRFC168224G	R:CARBON FIXED CHIP(1608)	8.2K 1/16W J TAPE	R286	1
AT560ZHBAE	BRFC168224G	R:CARBON FIXED CHIP(1608)	8.2K 1/16W J TAPE	R373	1
AT560ZHBAE	BRFC168234G	R:CARBON FIXED CHIP(1608)	82K 1/16W J TAPE	R180	1
AT560ZHBAE	BRFC168234G	R:CARBON FIXED CHIP(1608)	82K 1/16W J TAPE	R557	1
AT560ZHBAE	BRPA611034G	R:CARBON AXIAL LEAD (26)	10K 1/6W J TAPE	R366	1
AT560ZHBAE	BRPA611034G	R:CARBON AXIAL LEAD (26)	10K 1/6W J TAPE	R367	1
AT560ZHBAE	BRPA611034G	R:CARBON AXIAL LEAD (26)	10K 1/6W J TAPE	R370	1
AT560ZHBAE	BRPA611034G	R:CARBON AXIAL LEAD (26)	10K 1/6W J TAPE	R372	1
AT560ZHBAE	BRSJ002214Z	R:METAL OXIDE	220 1WS J	R230	1

AT560ZHBAE	BRSJ008204Z	R:METAL OXIDE	82 1WS J	R229	1
AT560ZHBAE	BRSJ008204Z	R:METAL OXIDE	82 1WS J	R233	1
AT560ZHBAE	BRTG0582102	R:SEMI-FIXED	RT-582 PVZ3A102E01R00	RT131	1
AT560ZHBAE	BRTG0582103	R:SEMI-FIXED	RT-582 PVZ3A103E01R00	RT001	1
AT560ZHBAE	BRTG0582103	R:SEMI-FIXED	RT-582 PVZ3A103E01R00	RT002	1
AT560ZHBAE	BRTG0582103	R:SEMI-FIXED	RT-582 PVZ3A103E01R00	RT003	1
AT560ZHBAE	BRTG0582103	R:SEMI-FIXED	RT-582 PVZ3A103E01R00	RT004	1
AT560ZHBAE	BRTG0582472	R:SEMI-FIXED	RT-582 PVZ3A472E01R00	RT451	1
AT560ZHBAE	BRTG0582472	R:SEMI-FIXED	RT-582 PVZ3A472E01R00	RT452	1
AT560ZHBAE	BRTG0590101	R:SEMI-FIXED	RT-590 TMC3K-0B 100-TR	RT215	1
AT560ZHBAE	BRTG0590102	R:SEMI-FIXED	RT-590 TMC3K-0B 1K-TR	RT214	1
AT560ZHBAE	BRTG0590102	R:SEMI-FIXED	RT-590 TMC3K-0B 1K-TR	RT216	1
AT560ZHBAE	BRTG0590103	R:SEMI-FIXED	RT-590 TMC3K-0B 10K-TR	RT210	1
AT560ZHBAE	BRTG0590222	R:SEMI-FIXED	RT-590 TMC3K-0B 2.2K-TR	RT202	1
AT560ZHBAE	BRTG0590222	R:SEMI-FIXED	RT-590 TMC3K-0B 2.2K-TR	RT218	1
AT560ZHBAE	BRTG0590223	R:SEMI-FIXED	RT-590 TMC3K-0B 22K-TR	RT204	1
AT560ZHBAE	BRTG0590223	R:SEMI-FIXED	RT-590 TMC3K-0B 22K-TR	RT213	1
AT560ZHBAE	BRTG0590223	R:SEMI-FIXED	RT-590 TMC3K-0B 22K-TR	RT217	1
AT560ZHBAE	BRTG0590472	R:SEMI-FIXED	RT-590 TMC3K-0B 4.7K-TR	RT201	1
AT560ZHBAE	BRTG0590472	R:SEMI-FIXED	RT-590 TMC3K-0B 4.7K-TR	RT203	1
AT560ZHBAE	BRTG0590472	R:SEMI-FIXED	RT-590 TMC3K-0B 4.7K-TR	RT212	1
AT560ZHBAE	BRTG0590472	R:SEMI-FIXED	RT-590 TMC3K-0B 4.7K-TR	RT271	1
AT560ZHBAE	BTFG0083001	TRANSFORMER:AF CHOKE	TF-083	T001	1

AT560ZHBAE	BTPG0138001	TEST PIN	TP-138 IPS-1820-01-PT	TP002	1
AT560ZHBAM	HSDC3D5372Z	SHIELD CASE	SPTE		0
AT560ZHBAM	HSDC3D5373Z	SHIELD CASE(COMP)	SPTE		1
AT560ZHBAM	HSDC3D5428Z	SHIELD CASE	SPTE		0
AT560ZHBAM	RBLD4D6125Z	HIMELON	**		1
AT560ZHBAW	CUAH015011G	WIRE	UL 1007 #24 3-150- 3 GRY	W501	1
AT560ZHBAW	CUAJ015011G	WIRE	UL 1007 #24 3-150-3 WHT	W502	1
AT560ZHBAW	CUPJ003511G	WIRE W-004	UL 1571 #26 3- 35- 3 WHT	W301	1
AT560ZHBBE	BDAG1220015	DIODE:ZENER	UDZS F 7.5B TE-17	D551	1
AT560ZHBBE	BDAG1220015	DIODE:ZENER	UDZS F 7.5B TE-17	D552	1
AT560ZHBBE	BDAG1220015	DIODE:ZENER	UDZS F 7.5B TE-17	D553	1
AT560ZHBBE	BDAG1220015	DIODE:ZENER	UDZS F 7.5B TE-17	D554	1
AT560ZHBBE	BDAG1220015	DIODE:ZENER	UDZS F 7.5B TE-17	D555	1
AT560ZHBBE	BPBG0352AA1	PCB:VOL SW	PB-352AA 1/5	B551	1
AT560ZHBBE	BRFC161034G	R:CARBON FIXED CHIP(1608)	10K 1/16W J TAPE	R552	1
AT560ZHBBE	BRFC162234G	R:CARBON FIXED CHIP(1608)	22K 1/16W J TAPE	R553	1
AT560ZHBBE	BRFC164724G	R:CARBON FIXED CHIP(1608)	4.7K 1/16W J TAPE	R551	1
AT560ZHBBE	BRVG0988001	R:VARIABLE	RV-988 TP96D00N 30F B502 A503	VR551	1
AT560ZHBBE	BRVG0989001	R:VARIABLE	RV-989 TP96D00N 30F B502 B502	VR552	1
AT560ZHBBE	BRVG0990001	R:VARIABLE	RV-990 TP96D00A 30.5F B502 A502	VR553	1
AT560ZHBBE	BRVG0991001	R:VARIABLE	RV-991 TP96D01 30F B502 B502	VR554	1
AT560ZHBBE	BSRG0467001	SW:ROTARY	SR10010F-0204-205F5A-C7-N-0021	S551	1
AT560ZHBBE	BWFG3820359	FLAT CABLE	WF-382 3-35-3 2P	FC553	1

AT560ZHBBE	BWFG3830750	FLAT CABLE	WF-383 3.5-75-3.5 3P	FC554	1
AT560ZHBBE	BWFG3830750	FLAT CABLE	WF-383 3.5-75-3.5 3P	FC555	1
AT560ZHBBE	BWFG3840700	FLAT CABLE	WF-384 3.5-70-3.5 4P	FC552	1
AT560ZHBBE	BWFG3860709	FLAT CABLE	WF-386 3-70-3 6P	FC551	1
AT560ZHBBE	BWFG3880709	FLAT CABLE	WF-388 3-70-3 8P	FC556	1
AT560ZHBCE	BDAG1220015	DIODE:ZENER	UDZS F 7.5B TE-17	D601	1
AT560ZHBCE	BDAG1220015	DIODE:ZENER	UDZS F 7.5B TE-17	D602	1
AT560ZHBCE	BDAG1220015	DIODE:ZENER	UDZS F 7.5B TE-17	D603	1
AT560ZHBCE	BDAG1220015	DIODE:ZENER	UDZS F 7.5B TE-17	D604	1
AT560ZHBCE	BPBG0352AA2	PCB:SW	PB-352AA 2/5	B601	1
AT560ZHBCE	BSWG0763001	SWITCH:SLIDE	SW-763 SMDPL22-15K	S601	1
AT560ZHBCE	BSWG0763001	SWITCH:SLIDE	SW-763 SMDPL22-15K	S602	1
AT560ZHBCE	BSWG0763001	SWITCH:SLIDE	SW-763 SMDPL22-15K	S603	1
AT560ZHBCE	BSWG0763001	SWITCH:SLIDE	SW-763 SMDPL22-15K	S604	1
AT560ZHBCE	BWFG3850650	FLAT CABLE	WF-385 3.5-65-3.5 5P	FC601	1
AT560ZHBDE	BDAG1220015	DIODE:ZENER	UDZS F 7.5B TE-17	D610	1
AT560ZHBDE	BDAG1274001	DIODE	DA-1274 MA2J72800L	D611	1
AT560ZHBDE	BPBG0352AA3	PCB:NB MTR SW	PB-352AA 3/5	B610	1
AT560ZHBDE	BRFC161034G	R:CARBON FIXED CHIP(1608)	10K 1/16W J TAPE	R610	1
AT560ZHBDE	BRFC164724G	R:CARBON FIXED CHIP(1608)	4.7K 1/16W J TAPE	R611	1
AT560ZHBDE	BSWG0764001	SWITCH:SLIDE	SW-764 SMEP23-15K	S610	1
AT560ZHBDE	BSWG0764001	SWITCH:SLIDE	SW-764 SMEP23-15K	S611	1
AT560ZHBDE	BWFG3850650	FLAT CABLE	WF-385 3.5-65-3.5 5P	FC610	1

AT560ZHBEE	BDAG1470001	DIODE:LED	DA-1470 LTD-482PC-17J	D651	1
AT560ZHBEE	BDAG1482001	DIODE:LED	VRPG3349S	D652	1
AT560ZHBEE	BDAG1482001	DIODE:LED	VRPG3349S	D653	1
AT560ZHBEE	BPBG0351AA4	PCB:LED	PB-351AA 4/4	B651	1
AT560ZHBEE	BWFG3850650	FLAT CABLE	WF-385 3.5-65-3.5 5P	FC651	1
AT560ZHBEE	BWFG3850650	FLAT CABLE	WF-385 3.5-65-3.5 5P	FC652	1
AT560ZHBEE	BWFG3850650	FLAT CABLE	WF-385 3.5-65-3.5 5P	FC653	1
AT560ZHBEE	BWFG3850650	FLAT CABLE	WF-385 3.5-65-3.5 5P	FC654	1
AT560ZHBFE	BCML811035G	C:CERAMIC M/L (1608) TAPE	0.01UF 50V K B	C701	1
AT560ZHBFE	BCML811035G	C:CERAMIC M/L (1608) TAPE	0.01UF 50V K B	C702	1
AT560ZHBFE	BCML811035G	C:CERAMIC M/L (1608) TAPE	0.01UF 50V K B	C703	1
AT560ZHBFE	BCML811035G	C:CERAMIC M/L (1608) TAPE	0.01UF 50V K B	C704	1
AT560ZHBFE	BCML811035G	C:CERAMIC M/L (1608) TAPE	0.01UF 50V K B	C705	1
AT560ZHBFE	BCML811035G	C:CERAMIC M/L (1608) TAPE	0.01UF 50V K B	C706	1
AT560ZHBFE	BCML811035G	C:CERAMIC M/L (1608) TAPE	0.01UF 50V K B	C707	1
AT560ZHBFE	BCML811035G	C:CERAMIC M/L (1608) TAPE	0.01UF 50V K B	C708	1
AT560ZHBFE	BJKG1434001	JACK:MIC	JK-1434 PLT-166-RL8-1	J701	1
AT560ZHBFE	BLDG0087001	COIL	LD-087 L5RH3X5X1	L703	1
AT560ZHBFE	BLDG0087001	COIL	LD-087 L5RH3X5X1	L704	1
AT560ZHBFE	BLZG0041100	INDUCTOR:MOLDED	LZ-041 10UH K	L701	1
AT560ZHBFE	BLZG0041100	INDUCTOR:MOLDED	LZ-041 10UH K	L702	1
AT560ZHBFE	BPBG0352AA4	PCB:MIC	PB-352AA 4/5	B701	1
AT560ZHBFE	BWFG3840700	FLAT CABLE	WF-384 3.5-70-3.5 4P	FC701	1



AT560ZHBGE	BCML811035G	C:CERAMIC M/L (1608) TAPE	0.01UF 50V K B	C751	1
AT560ZHBGE	BCML811035G	C:CERAMIC M/L (1608) TAPE	0.01UF 50V K B	C752	1
AT560ZHBGE	BPBG0352AA5	PCB:CH SW	PB-352AA 5/5	B751	1
AT560ZHBGE	BRFC161024G	R:CARBON FIXED CHIP(1608)	1K 1/16W J TAPE	R751	1
AT560ZHBGE	BRFC161024G	R:CARBON FIXED CHIP(1608)	1K 1/16W J TAPE	R752	1
AT560ZHBGE	BSRG0465001	SW:ROTARY	SR-465 SR10030F-20F-C7-012	S751	1
AT560ZHBGE	BWFG3830750	FLAT CABLE	WF-383 3.5-75-3.5 3P	FC751	1
AT560ZHBHE	BDAG1274001	DIODE	DA-1274 MA2J72800L	D801	1
AT560ZHBHE	BDAG1274001	DIODE	DA-1274 MA2J72800L	D802	1
AT560ZHBHE	BPBG0351AA2	PCB:SWR	PB-351AA 2/4	B801	1
AT560ZHBHE	BRFC161514G	R:CARBON FIXED CHIP(1608)	150 1/16W J TAPE	R801	1
AT560ZHBHE	BRFC161514G	R:CARBON FIXED CHIP(1608)	150 1/16W J TAPE	R802	1
AT560ZHBHM	HHDZ4B5754Z	HOLDER:PCB	SECC		1
AT560ZHBHM	HSDC4D5141Z	SHIELD CASE	SPTE		1
AT560ZHBHM	SSCW343005N	SCREW:TAPTIGHT BIND HD +	M3X5 NI	1	1
AT560ZHBJE	BDCN0332000	FIELD EFFECT TRANSISTOR	DC-332 RD70HHF1-101	Q851	1
AT560ZHBJE	BPBG0351AA3	PCB:RF PWR	PB-351AA 3/4	B851	1
AT560ZHBKE	BDAG1031001	DIODE:LED	LTST-C190KFKT	D861	1
AT560ZHBKE	BDAG1031001	DIODE:LED	LTST-C190KFKT	D862	1
AT560ZHBKE	BDAG1031001	DIODE:LED	LTST-C190KFKT	D863	1
AT560ZHBKE	BDAG1031001	DIODE:LED	LTST-C190KFKT	D864	1
AT560ZHBKE	BDAG1031001	DIODE:LED	LTST-C190KFKT	D865	1
AT560ZHBKE	BDAG1031001	DIODE:LED	LTST-C190KFKT	D866	1

AT560ZHBKE	BDAG1031001	DIODE:LED	LTST-C190KFKT	D867	1
AT560ZHBKE	BDAG1031001	DIODE:LED	LTST-C190KFKT	D868	1
AT560ZHBKE	BDAG1031001	DIODE:LED	LTST-C190KFKT	D869	1
AT560ZHBKE	BDAG1031001	DIODE:LED	LTST-C190KFKT	D870	1
AT560ZHBKE	BDAG1031001	DIODE:LED	LTST-C190KFKT	D871	1
AT560ZHBKE	BDAG1031001	DIODE:LED	LTST-C190KFKT	D872	1
AT560ZHBKE	BDAG1031001	DIODE:LED	LTST-C190KFKT	D873	1
AT560ZHBKE	BDAG1031001	DIODE:LED	LTST-C190KFKT	D874	1
AT560ZHBKE	BDAG1031001	DIODE:LED	LTST-C190KFKT	D875	1
AT560ZHBKE	BDAG1031001	DIODE:LED	LTST-C190KFKT	D876	1
AT560ZHBKE	BDAG1031001	DIODE:LED	LTST-C190KFKT	D877	1
AT560ZHBKE	BDAG1031001	DIODE:LED	LTST-C190KFKT	D878	1
AT560ZHBKE	BDAG1031001	DIODE:LED	LTST-C190KFKT	D879	1
AT560ZHBKE	BDAG1031001	DIODE:LED	LTST-C190KFKT	D880	1
AT560ZHBKE	BDAG1031001	DIODE:LED	LTST-C190KFKT	D881	1
AT560ZHBKE	BDAG1270001	DIODE	KDS160E-RTK/P	D882	1
AT560ZHBKE	BDAG1270001	DIODE	KDS160E-RTK/P	D883	1
AT560ZHBKE	BDAG1270001	DIODE	KDS160E-RTK/P	D884	1
AT560ZHBKE	BPAG0411BBZ	PCB:LIGHT	PA-411BB	B861	1
AT560ZHBKE	BRFC161224G	R:CARBON FIXED CHIP(1608)	1.2K 1/16W J TAPE	R861	1
AT560ZHBKE	BRFC161224G	R:CARBON FIXED CHIP(1608)	1.2K 1/16W J TAPE	R862	1
AT560ZHBKE	BRFC161224G	R:CARBON FIXED CHIP(1608)	1.2K 1/16W J TAPE	R863	1
AT560ZHBKE	BRFC161224G	R:CARBON FIXED CHIP(1608)	1.2K 1/16W J TAPE	R864	1

AT560ZHBKE	BRFC161224G	R:CARBON FIXED CHIP(1608)	1.2K 1/16W J TAPE	R865	1
AT560ZHBKE	BRFC161224G	R:CARBON FIXED CHIP(1608)	1.2K 1/16W J TAPE	R866	1
AT560ZHBKE	BRFC161224G	R:CARBON FIXED CHIP(1608)	1.2K 1/16W J TAPE	R867	1
AT560ZHBKE	BRFC161224G	R:CARBON FIXED CHIP(1608)	1.2K 1/16W J TAPE	R868	1
AT560ZHBKE	BRFC161224G	R:CARBON FIXED CHIP(1608)	1.2K 1/16W J TAPE	R869	1
AT560ZHBKE	BRFC161224G	R:CARBON FIXED CHIP(1608)	1.2K 1/16W J TAPE	R870	1
AT560ZHBKE	BRFC161524G	R:CARBON FIXED CHIP(1608)	1.5K 1/16W J TAPE	R871	1
AT560ZHBKW	CUPB006011G	WIRE W-004	UL 1571 #26 3- 60- 3 RED	W505	1
AT560ZHBKW	CUPK004011G	WIRE W-004	UL 1571 #26 3- 40- 3 BLK	W506	1
AT560ZHBYE	BDBJ1771000	TRANSISTOR	DB-1268 2SA1771(F)	Q501	1
AT560ZHBYE	BDBL2314106	TRANSISTOR	DB-792 2SC2314F	Q502	1
AT560ZHBYE	BDEG4462001	INTEGRATED CIRCUIT	E-TDA2003V	IC501	1
AT560ZHBYE	BDEG4840001	INTEGRATED CIRCUIT	NJM78M05FA-#ZZZB	IC502	1
AT560ZHBYE	BDEG4855001	INTEGRATED CIRCUIT	KIA78D08PI	IC503	1
AT560ZHBYE	BJKG1382001	JACK:ANT	JK-1382 M-RM-L 102	J501	1
AT560ZHBYE	BJKY0052002	JACK	JK-052 BLACK 12T-5C018-S	J503	1
AT560ZHBYE	BMTY0186001	METER	MT-186 250	M501	1
AT560ZHBYE	BSPG0475001	SPEAKER	SP-475 YD77A-70F16	SP501	1
AT560ZHBYE	BYYY0027001	INSULATION SHEET	YY-027	Y501	1
AT560ZHBYM	FHSK3D3277Z	HEAT SINK	**		1
AT560ZHBYM	GCAS3D3272A	PANEL:FRONT	ABS		1
AT560ZHBYM	GCAS442091Z	DISPLAY WINDOW	PC		1
AT560ZHBYM	GETC242086Z	LIGHTING PLATE	ABS(HI-HEAT)		1

AT560ZHBYM	GHDM404812Z	HOLDER:METER	POLYETHY,MILK WHITE		1
AT560ZHBYM	GHDZ4D6896Z	HOLDER:LED	PC		1
AT560ZHBYM	GNBZ4C3126Z	KNOB	ABS		1
AT560ZHBYM	GNBZ4D4743Z	KNOB	ABS		4
AT560ZHBYM	GNBZ4D4744Z	KNOB	ABS		4
AT560ZHBYM	GNBZ4D4745Z	KNOB	ABS		1
AT560ZHBYM	HCAS2D3270Z	COVER:TOP	VINY TOP		1
AT560ZHBYM	HCAS2D3271Z	COVER:BOTTOM	VINY TOP		1
AT560ZHBYM	HCAS3D3273Z	FRONT PIECE	**		1
AT560ZHBYM	HCSY2D3274Z	CHASSIS	SECC		2
AT560ZHBYM	HCSY2D3275Z	CHASSIS	SECC		1
AT560ZHBYM	HCSY2D3276Z	CHASSIS(COMP)	A1070P(AL)		1
AT560ZHBYM	HHSK4D3278Z	HEAT SINK	A1050P(AL)		2
AT560ZHBYM	HHSK4D3279Z	HEAT SINK	A1050P(AL)		1
AT560ZHBYM	HSDC3D5958Z	SHIELD CASE	SPTE		1
AT560ZHBYM	HSDC4D3280Z	SHIELD CASE	SPTE		1
AT560ZHBYM	NSPZ4D3562Z	COIL SPRING	SWIC-F		1
AT560ZHBYM	PLBB4D5225Z	LABEL:BARCODE	PAPER		1
AT560ZHBYM	PLBS4C3232Z	LABEL:ID	POLYESTER		1
AT560ZHBYM	RBLD4B6708Z	HIMELON	**		1
AT560ZHBYM	RBLD4C4211Z	HIMELON	**		2
AT560ZHBYM	RCUN451801Z	CUSHION	NEOPRENE		1
AT560ZHBYM	RETC412489Z	BLIND PLATE	PVC 0.4T BLACK		1

AT560ZHBYM	RUTC4C3268Z	WOOL COATED PAPER:WOOL TACK	**		2
AT560ZHBYM	RZEB407154Z	INSULATION PLATE	PVC,30*20*0.5T		1
AT560ZHBYM	SSCW102604N	SCREW:PAN HD +	M2.6X4 NI	1	4
AT560ZHBYM	SSCW133004N	SCREW:FLAT HD +	M3X4 NI	1	4
AT560ZHBYM	SSCW192004N	SCREW:BIND HD +	M2X4 NI	1	8
AT560ZHBYM	SSCW193006B	SCREW:BIND HD +	M3X6 BLK NI	1	12
AT560ZHBYM	SSCW193006N	SCREW:BIND HD +	M3X6 NI	1	1
AT560ZHBYM	SSCW193006N	SCREW:BIND HD +	M3X6 NI	2	2
AT560ZHBYM	SSCW193006N	SCREW:BIND HD +	M3X6 NI	3	4
AT560ZHBYM	SSCW193006N	SCREW:BIND HD +	M3X6 NI	4	4
AT560ZHBYM	SSCW193006N	SCREW:BIND HD +	M3X6 NI	5	6
AT560ZHBYM	SSCW193008B	SCREW:BIND HD +	M3X8 BLK NI	1	4
AT560ZHBYM	SSCW193008N	SCREW:BIND HD +	M3X8 NI	1	1
AT560ZHBYM	SSCW193008N	SCREW:BIND HD +	M3X8 NI	2	2
AT560ZHBYM	SSCW193008N	SCREW:BIND HD +	M3X8 NI	3	3
AT560ZHBYM	SSCW193008N	SCREW:BIND HD +	M3X8 NI	4	4
AT560ZHBYM	SSCW193012N	SCREW:BIND HD +	M3X12 NI	1	2
AT560ZHBYM	SSCW342608N	SCREW:TAPTIGHT BIND HD +	M2.6X8 NI	1	4
AT560ZHBYM	SSCW343005N	SCREW:TAPTIGHT BIND HD +	M3X5 NI	1	1
AT560ZHBYM	SSCW430030N	HEX NUT	M3.0 NI	1	1
AT560ZHBYM	SSCW430030N	HEX NUT	M3.0 NI	2	1
AT560ZHBYM	SSCW430030N	HEX NUT	M3.0 NI	3	3

AT560ZHBYM	SSCW430030N	HEX NUT	M3.0 NI	4	3
AT560ZHBYM	SSCW480030Z	NUT:FLANGE	M3 ZMC	1	4
AT560ZHBYM	TSTD0150007	TERMINAL:LUG SOLDER	D3.2XL14	1	0
AT560ZHBYM	TSTD0150007	TERMINAL:LUG SOLDER	D3.2XL14	2	1
AT560ZHBYM	TSTD0200001	SPRING PLATE:KNOB	D3.5XL5.2		4
AT560ZHBYM	TSTD0200002	SPRING PLATE:KNOB	D6XL5.2		4
AT560ZHBYM	TSTD0200003	SPRING PLATE:KNOB	D6.02XL9.53		2
AT560ZHBYM	TSTD0263020	SELFLOCK INSERTER(BANC-LOK)	M3 2T		2
AT560ZHBYW	CUPB006011G	WIRE W-004	UL 1571 #26 3- 60- 3 RED	W503	1
AT560ZHBYW	CUPK004011G	WIRE W-004	UL 1571 #26 3- 40- 3 BLK	W504	1
AT560ZHXYE	BMKG0580001	MICROPHONE	MK-580 EMC503-015	MC951	1
AT560ZHXYE	BWZG1700001	CORD:DC CORD	WZ-1700 DC POWER CORD	WA951	1
AT560ZHXYM	GMSC405736A	SCREW:MOUNTING	ABS INST CLR BLACK		2
AT560ZHXYM	HBCT4D5142Z	MOUNTING BRACKET	SPCC		1
AT560ZHXYM	HMHG402919Z	HANGER:MICROPHONE	SPCC,1.0T,NI		1
AT560ZHXYM	LWSR493891Z	WASHER:RUBBER	EPT, BLACK 7X15X2.0T		2
AT560ZHXYM	PLBC482147Z	LABEL:WARNING,DC CORD	PAPER,PRINT		1
AT560ZHXYM	PLBS459498Z	LABEL:ID	PAPER		2
AT560ZHXYM	PLBZ393435Z	CB STICKER (B)	**		1
AT560ZHXYM	PLBZ493437A	WIRING STICKER	**		1
AT560ZHXYM	SSCW293508N	SCREW:TAPPING ROUND HD +	D3.5X8 NI	1	2
AT560ZHXYM	SSCW295010N	SCREW:TAPPING ROUND HD +	D5X10 NI	1	2
AT560ZHXYM	SSCW530035N	WASHER:LOCK	D3.5 NI	1	2

AT560ZHXYM	SSCW540050N	WASHER:STAR	D5 NI	1	2
AT560ZHXYM	UTZZ01560ZZ	OWNERS MANUAL	**		1
AT560ZHXYM	WBAG4C3715Z	PACKING BAG	**		1
AT560ZHXYM	WBAG4C3720Z	PACKING BAG	**		1
AT560ZHXYM	WBAG4C3721Z	PACKING BAG	**		0,17
AT560ZHXYM	WBAG4C8217Z	PACKING BAG	**		1
AT560ZHXYM	WBXZ3D3882Z	DISPLAY BOX	**		1
AT560ZHXYM	WCTZ3D3883Z	SHIPPING CARTON BOX	**		0,17
AT560ZHXYM	WSLV3D3884Z	SLEEVE	**		1
AT560ZHXYM	WSLV4D3885Z	SLEEVE	**		2
AT560ZHXYM	WSLV4D3886Z	SLEEVE	**		1

