



INSTRUCTIONS

TV-R7000

TV RECEIVE ADAPTER

INTRODUCTION

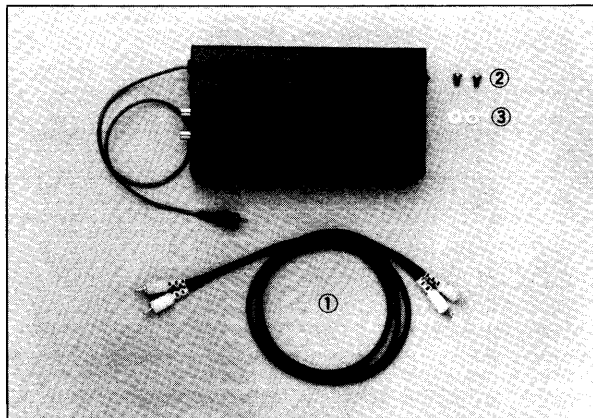
Thank you for choosing this ICOM product.

The **TV-R7000** is a television receive adapter for use with an IC-R7000 COMMUNICATIONS RECEIVER. The **TV-R7000** converts TV signals received by the IC-R7000 to video signals, displaying pictures on the CRT display.

For best results, please read these instructions before using the adapter, and keep them handy for future reference.

INSTALLATION

●UNPACKING



TV-R7000 and Accessories included.

- | | |
|----------------------------------|------|
| | Qty. |
| 1. Video cable | 1 |
| 2. Installation screws | 2 |
| 3. Washers. | 2 |

●UNIT INSTALLATION

Install the TV-R7000 on the side of the IC-R7000 receiver in the following way:

1. Remove the two screws indicated in Fig. 1 from the rear panel of the TV-R7000. Slide and pull the unit's cover out as shown in Fig. 1.

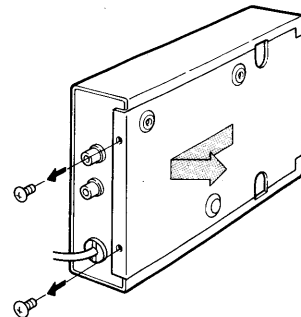


Fig. 1

2. Attach the TV-R7000 cover to the side of the IC-R7000 using the two supplied screws. Refer to Fig. 2.

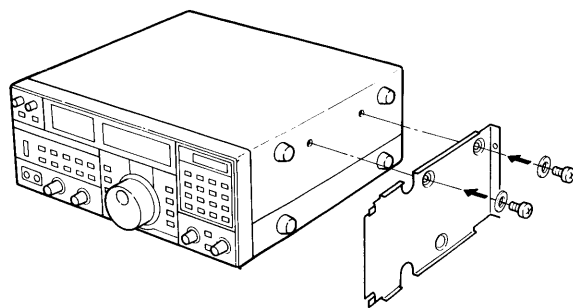


Fig. 2

3. After installing the TV-R7000 cover on the IC-R7000, attach the TV-R7000 unit to the cover using the two previously removed screws.

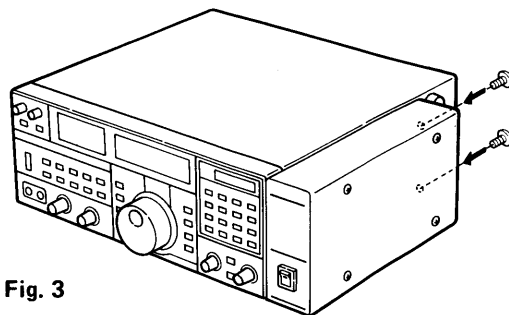
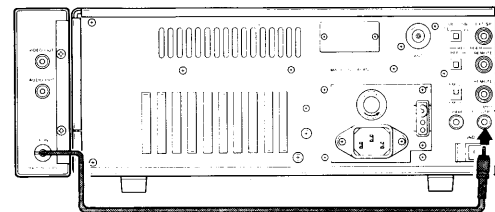


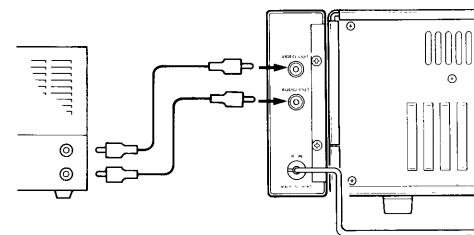
Fig. 3

INTERCONNECTION

1. Connect the TV-R7000 IF IN plug to the [10.7MHz IF OUTPUT] terminal on the IC-R7000.



2. Connect the supplied video cable between the [VIDEO OUTPUT] terminal on the TV-R7000 and a video input terminal on the monitor CRT display or TV set.
3. Connect the supplied video cable between the [AUDIO OUTPUT] terminal on the TV-R7000 to the monitor CRT display or TV set, if needed.



4. If a speaker is connected to the [AUDIO OUTPUT] terminal through an appropriate amplifier, sound will be emitted from the external speaker.

NOTE: The output level should be approximately 0.3Vrms at 1kHz with 47kΩ load. Impedance of an amplifier connected to the [AUDIO OUTPUT] terminal on the TV-R7000 should be at least 10kΩ.

OPERATING INSTRUCTIONS

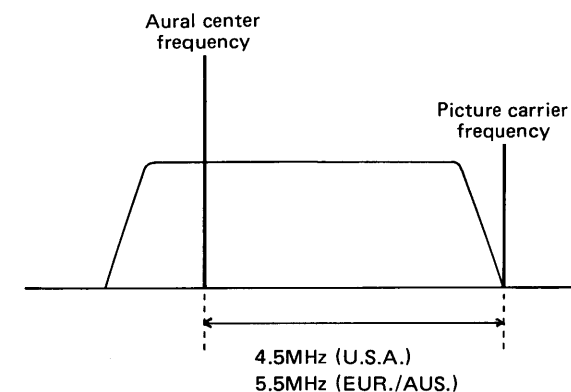
1. Connect a suitable TV antenna. The IC-R7000 antenna connector impedance is 50Ω, and a suitable match can be made with a 75Ω feedline.

Align it in the proper direction along the plane of polarization to ensure receiving clear pictures.

2. Turn ON the power switches on the IC-R7000 and TV-R7000.
3. Push the [FM] MODE SELECT SWITCH and slide the FM SELECTOR SWITCH to the [FM(2)] position on the IC-R7000 for setting the FM-wide (150kHz) mode.

The FM SELECTOR SWITCH is located on the rear panel.

4. Tune the dial to the aural center frequency of the TV signal and not to the picture carrier frequency.
5. Adjust the [AF GAIN] CONTROL on the IC-R7000 to a comfortable listening level. Sound is emitted from the internal speaker. If an external speaker is connected through an appropriate audio amplifier, sound will be emitted from that speaker as well.



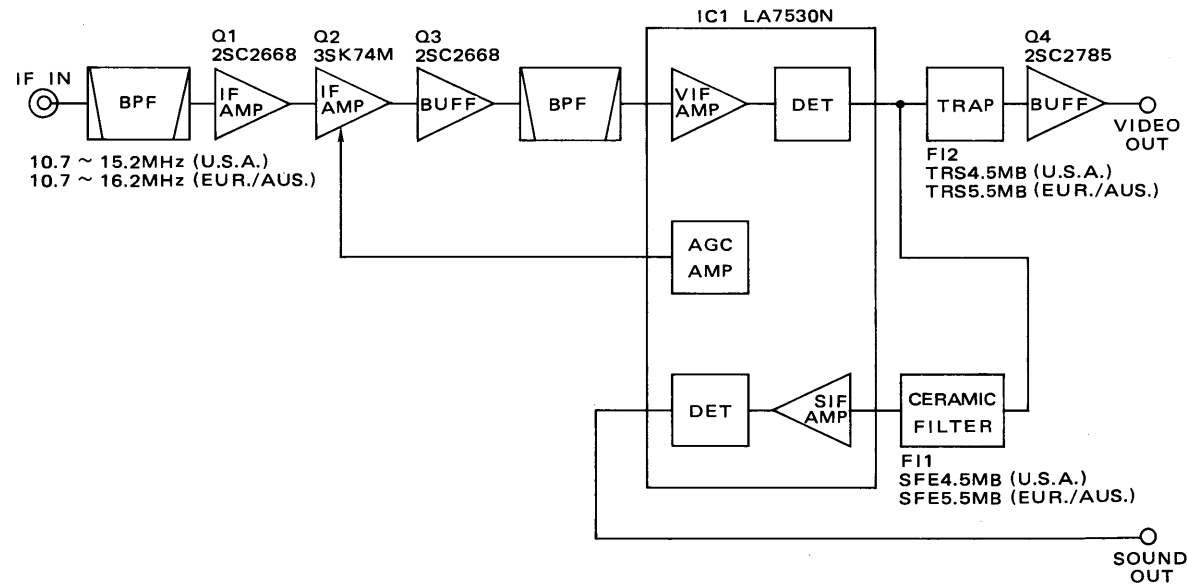
ICOM INCORPORATED

1-6-19, KAMIKURATSUKURI, HIRANO-KU, OSAKA 547, JAPAN

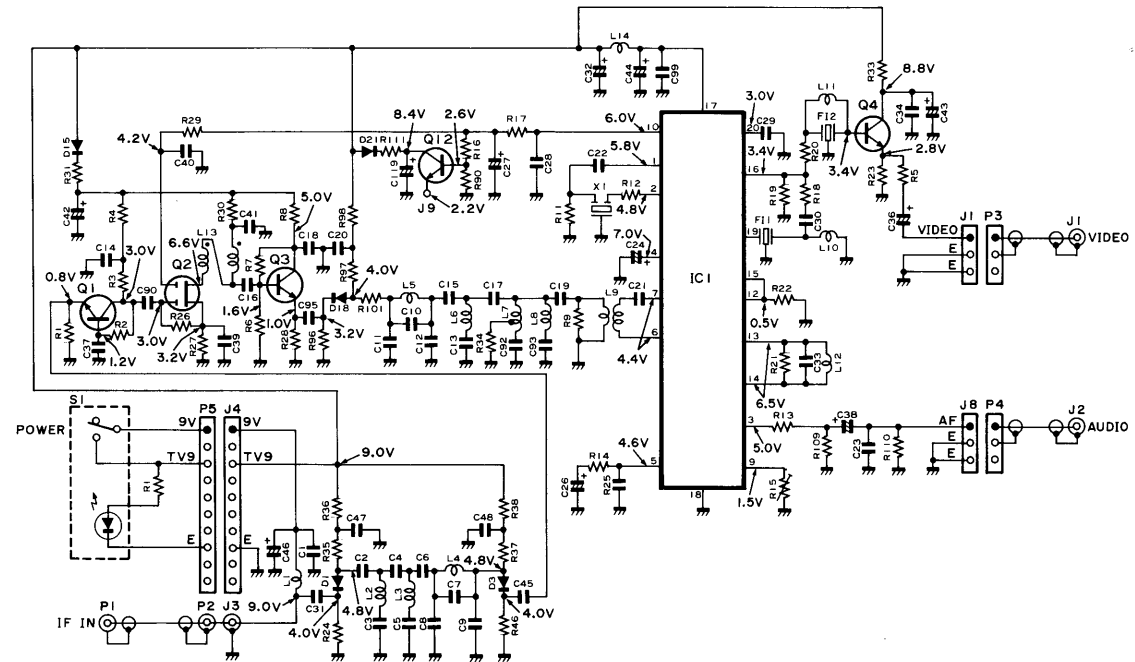
SPECIFICATIONS

Video carrier input frequency	: 15.2MHz (U.S.A.) 16.2MHz (EUR./AUS.)
Audio carrier input frequency	: 10.7MHz
Audio intermediate frequency	: 4.5MHz (U.S.A.) 5.5MHz (EUR./AUS.)
Video output level	: 1Vp-p (75Ω)
Audio output level	: 0.3Vrms with 47kΩ load
Power supply requirements	: 9V negative ground
Current drain	: 80mA approx. (When no signal is received)
Dimensions	: 35(35)mm(W) x 110(110)mm(H) x 200(214)mm(D) Bracketed values include projections.
Weight	: 620g

BLOCK DIAGRAM



VOLTAGE DIAGRAM



PARTS LIST

IC1	LA7530N	L13	LR-85A	R36	100	C21	0.0047
Q1	2SC2668-0	L14	LAL04NA 101K	R37	2.2K	C22	22P
Q2	3SK74-M	R1	1K	R38	100	C23	0.022 (U.S.A.) 0.033 (EUR./AUS.)
Q3	2SC2668-0	R2	220K	R90	27K	C24	0.1
Q4	2SC2785 FF, EF	R3	4.7K	R96	2.2K	C25	0.001
Q12	2SC2785 FF, EF	R4	470	R97	2.2K	C26	0.47
D1	1SS53	R5	56	R98	1K	C27	10
D3	1SS53	R6	10K	R101	10	C28	0.1
D15	1SS53	R7	18K	R109	10K	C29	0.01
D18	1SS53	R8	1.5K	R110	47K	C30	47P
D21	1SS53	R9	47	R111	1K	C31	0.0047
F11	SFE4.5MB (U.S.A.) SFE5.5MB (EUR./AUS.)	R11	680	C1	0.0047	C32	10
F12	TPS4.5MB (U.S.A.) TPS5.5MB (EUR./AUS.)	R12	330	C2	270P	C33	47P
X1	CDA4.5MC26 (U.S.A.) CDA5.5MC26 (EUR./AUS.)	R13	8.2K	C3	470P	C34	0.1
L1	LAL04NA 101K	R14	1.8K	C4	150P	C36	470
L2	LAL03NA 1R0M	R15	10K	C5	1000P CH	C37	0.0047
L3	LAL03NA R82M	R16	18K	C6	330P	C38	4.7
L4	LAL03NA R27M	R17	18K	C7	220P CH	C39	0.0047
L5	LAL03NA R39M (U.S.A.) LAL03NA R27M (EUR./AUS.)	R18	1K	C8	180P	C40	0.001
L6	LAL03NA R68M	R19	2.7K	C9	220P	C41	0.0047
L7	LS-164	R20	330	C10	200P CH	C42	10
L8	LS-69	R21	3.9K	C11	270P	C43	47
L9	LR-88	R22	1K	C12	330P	C44	10
L10	LAL03NA 150K	R23	180	C13	560P	C45	0.0047
L11	LAL03NA 150K	R24	2.2K	C14	0.0047	C47	0.0047
L12	LS-164	R26	47K	C15	270P	C48	0.0047
		R27	470	C16	0.0047	C90	0.0047
		R28	680	C17	270P	C92	120P UJ
		R29	100K	C18	0.0047	C93	33P UJ
		R30	100	C19	330P (U.S.A.) 0.0047 (EUR./AUS.)	C95	0.0047
		R31	100	C20	0.0047	C99	0.1
		R33	10			C119	10
		R34	1K				
		R35	2.2K				