

FT-5200

Technical Supplement



YAESU MUSEN CO., LTD.
C.P.O. Box 1500, Tokyo, Japan

YAESU U.S.A.
17210 Edwards Rd., Cerritos, CA 90701, U.S.A.

YAESU EUROPE B.V.
Snipweg 3, 1118AA Schiphol, The Netherlands

Contents

1. General

| | |
|---|-----|
| About This Manual | 1-1 |
| Case Disassembly & PCB Access | 1-2 |
| Chip Component Information | 1-3 |
| Block Diagram | 1-7 |

2. Servicing

| | |
|-----------------------------------|-----|
| Alignment | 2-1 |
| Pilot Lamp Replacement | 2-6 |
| Installation of Options | 2-7 |

3. Board Units (Parts, Layouts & Schematics)

| | |
|---|------|
| 144-MHz Power Amplifier (PA) Unit | 3-1 |
| APC Unit | 3-5 |
| Mixer Unit | 3-8 |
| IF Unit | 3-11 |
| AF Unit | 3-14 |
| 430-MHz VCO Unit | 3-15 |
| 430-MHz PLL Unit | 3-16 |
| 144-MHz VCO Unit | 3-17 |
| 144-MHz PLL Unit | 3-20 |
| Main Unit | 3-21 |
| Control Unit | 3-32 |
| Interface Unit | 3-39 |
| FTS-22 Tone Squelch Option | 3-46 |
| FRC-4 Pager Option | 3-47 |
| DVS-3 Digital Voice Option | 3-48 |

4. Mechanical

| | |
|-------------------------|-----|
| Exploded View | 4-1 |
| Packaging | 4-2 |

About This Manual



The information in this manual is intended to supplement the *FT-5200 Operating Manual*, for servicing the transceiver. Specifications and details of operation and options are provided in the operating manual, and are not reprinted herein. Therefore, this manual is not intended to serve as an independent reference, but to be used in conjunction with the information provided in the operating manual. The FT-5200 is intended to be serviced only by qualified technicians.

Two pcb layout diagrams are provided for each double-sided circuit board in the transceiver. Each side of the board is referred to by the type of the majority of components installed on that side ("leaded" or "chip-only"). In most cases one side has only chip components, and the other has either a mixture of both chip and leaded components (trimmers,

coils, electrolytic capacitors, ICs, etc.), or leaded components only.

While we believe the technical information in this manual is correct, Yaesu cannot assume any liability for damage that may occur as a result of typographical or other errors that may be present. Your cooperation in pointing out any inconsistencies in the technical information would be appreciated.

The technical information in this manual supercedes all previously published information on this product. Where information is duplicated in this manual and the operating manual, this manual should generally be considered more current.

Yaesu Musen reserves the right to make changes in the circuitry of this transceiver, in the interest of technological improvement, without obligation to owners.

Case Disassembly & PCB Access

- ❑ Turn off the transceiver, and disconnect all cables.

Main Unit Solder Side Access

- ❑ Referring to Figure 1, remove the six screws from the top cover to expose the solder side of the Main Unit.

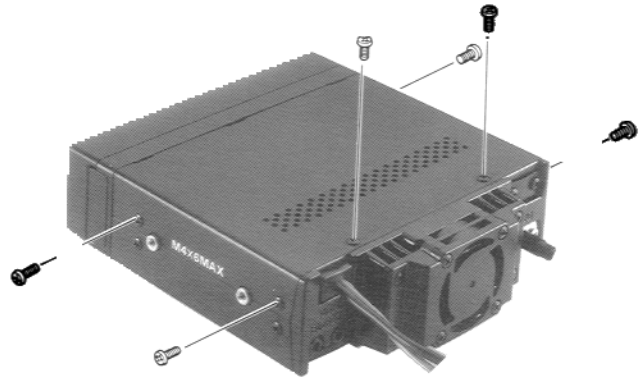


Figure 1.

Other Units

- ❑ Referring to Figure 2, remove the six screws in the bottom cover. *When removing the bottom cover, use care not to strain the wires to the loudspeaker.*

PCB Locations are indicated in Figure 3.

- ❑ To access the Interface Unit, remove the three screws in the subpanel indicated in Figure 4.

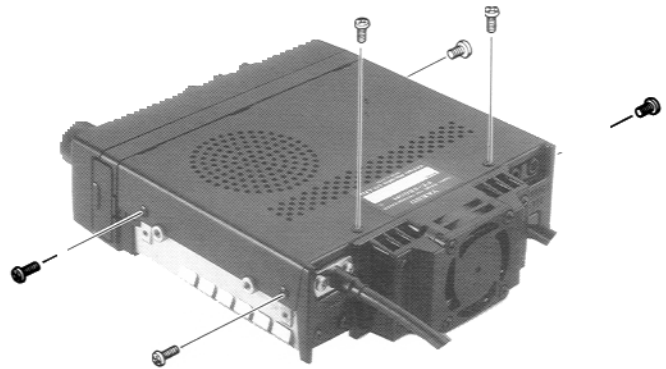


Figure 2.

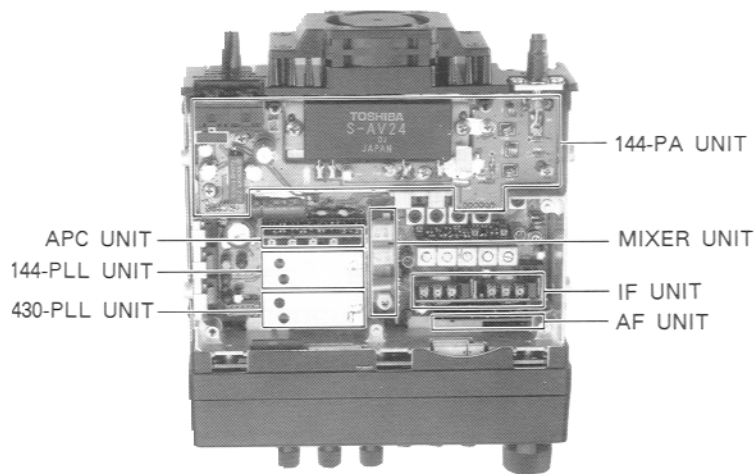


Figure 3.

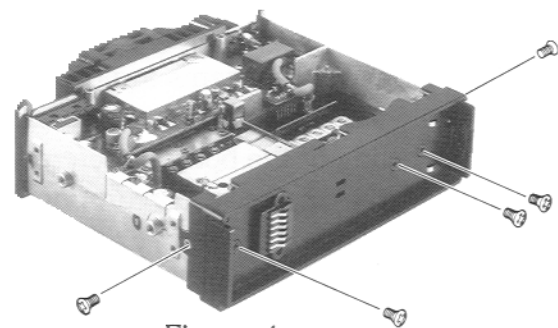
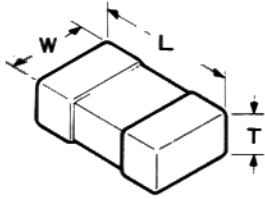


Figure 4.

Chip Component Information

The diagrams below indicate some of the distinguishing features of common chip components.

Ceramic Capacitors

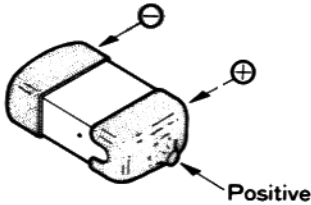


(Unit : mm)

| Type | L | W | T |
|------|-----|------|-----------|
| 3216 | 3.2 | 1.6 | 0.45~0.60 |
| 2125 | 2.0 | 1.25 | |
| 1608 | 1.6 | 0.8 | |

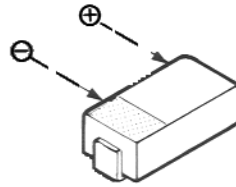
Tantalum Capacitors

Negative



Positive

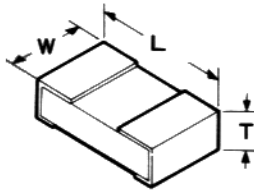
Polarized, Unmarked
(determine value from layout
and Parts List)



Examples :
J475 = 6.3V 4.7μF

| | | | |
|---|------|---|-----|
| G | 4.0V | D | 20V |
| J | 6.3V | E | 25V |
| A | 10V | V | 35V |
| C | 16V | | |

Resistors



(Unit : mm)

| Type | L | W | T |
|------|-----|------|------|
| 1/10 | 2.0 | 1.25 | 0.45 |
| 1/16 | 1.6 | 0.8 | 0.45 |

INDICATED LETTERS

2 3 4
6 7 :
0 .

Type RMC 1/10W, 1/16W
Marking* 100, 222, 473.....

| 473 | | |
|----------------------|---------------------|-----------------|
| 10 ¹ unit | 1 ¹ unit | Multiplier code |
| 0 | 0 | 10 ⁰ |
| | 1 | 10 ¹ |
| 2 | 2 | 10 ² |
| | 3 | 10 ³ |
| 4 | 4 | |
| | 5 | |
| | 6 | |
| 7 | 7 | |
| 8 | 8 | |
| 9 | 9 | 10 ⁹ |

Examples :

100 = 10Ω
222 = 2.2kΩ
473 = 47kΩ

Replacing Chip Components

Chip components are installed at the factory by a series of robots. The first one places a spot of adhesive resin at the location where each part is to be installed, and later robots handle and place parts using vacuum suction.

For single-sided boards, solder paste is applied and the board is then baked to harden the resin and flow the solder. For double-sided boards, no solder paste is applied, but the board is baked (or exposed to ultra-violet) to cure the resin before dip soldering.

In our laboratories and service shops, small quantities of chip components are mounted manually by applying a spot of resin, placing with tweezers, and then soldering by very small dual streams of hot air (without physical contact during soldering). We remove parts by first removing solder using a vacuum suction iron, which applies a light, steady vacuum at the iron tip, and then breaking the adhesive with tweezers.

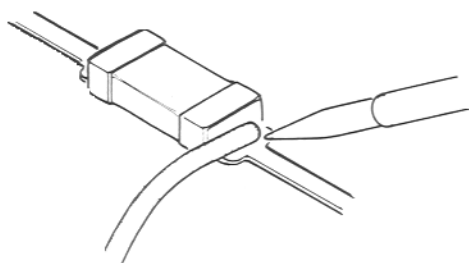
The special vacuum soldering/desoldering equipment is recommended if you expect to do a lot of chip replacements. Otherwise, it is usually possible to remove and replace chip components with only a tapered, temperature-controlled soldering iron, a set of tweezers and braided copper solder wick. Soldering iron temperature should be below 280 °C (536 °F).

Precautions for Chip Replacement

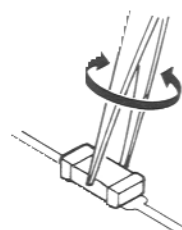
- ✗ Do not disconnect a chip forcefully, or the foil pattern may peel off the board.
- ✗ Never re-use a chip component. Dispose of all removed chip components immediately to avoid mixing with new parts.
- ✗ Limit soldering time to 3 seconds or less to avoid damaging the component and board.

Removing Chip Components

- ☐ Remove the solder at each joint, one joint at a time, using solder wick whetted with non-acidic flux as shown below. Avoid applying pressure, and do not attempt to remove the tinning from the chip's electrode.



- ☐ Grasp the chip on both sides with tweezers, and gently twist the tweezers back and forth (to break the adhesive bond) while alternately heating each electrode. Be careful to avoid peeling the foil traces from the board. Dispose of the chip when removed.

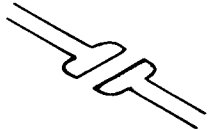


- ☐ After removing the chip, use the copper braid and soldering iron to which away any excess solder and smooth the land for installation of the replacement part.

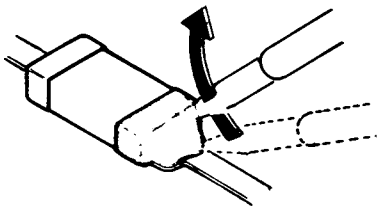
Installing a Replacement Chip

As the value of some chip components is not indicated on the body of the chip, be careful to get the right part for replacement.

- Apply a small amount of solder to the land on one side where the chip is to be installed. Avoid too much solder, which may cause bridging (shorting to other parts).



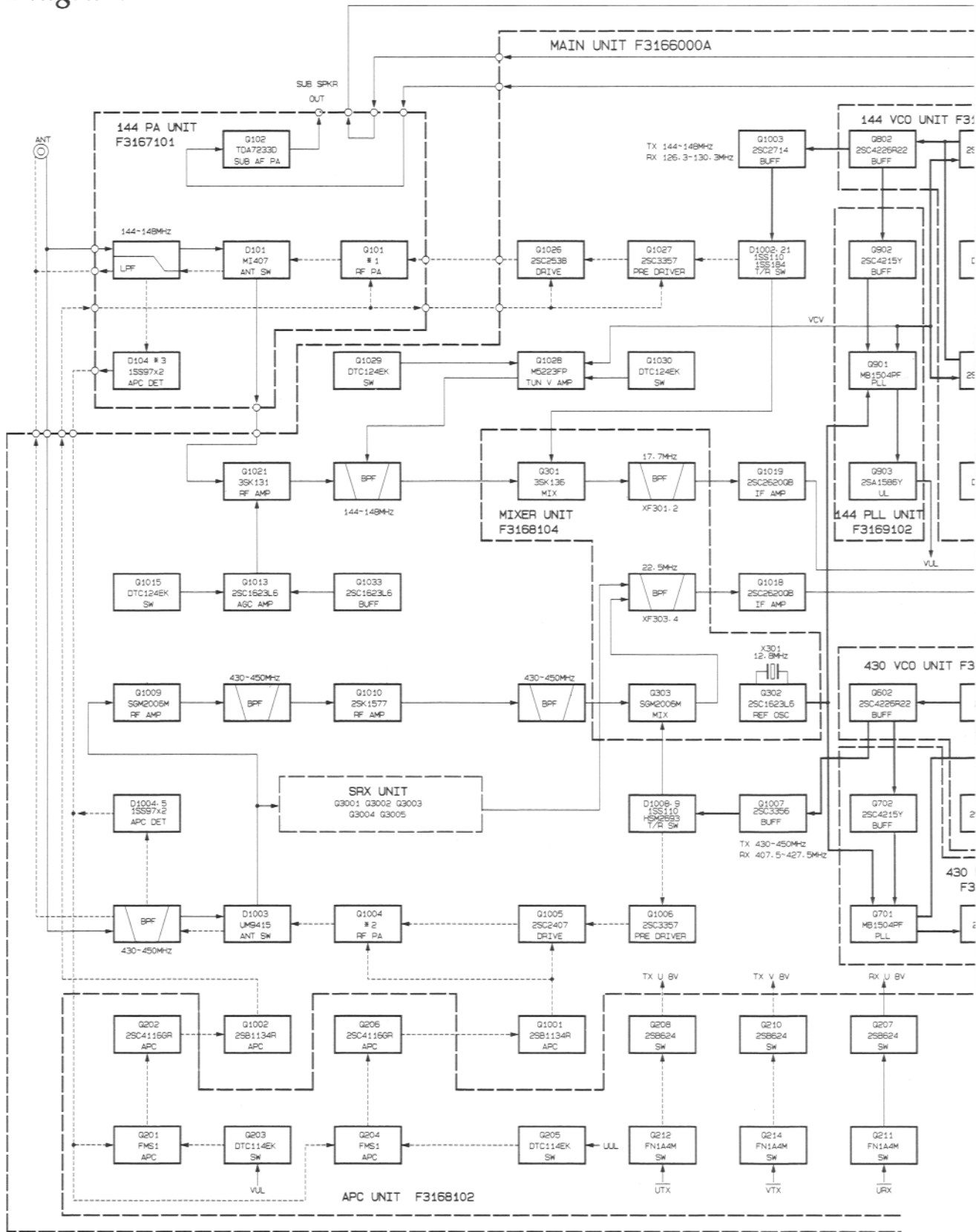
- Hold the chip with tweezers in the desired position, and apply the soldering iron with a motion line that indicated by the arrow in the diagram below. Do not apply heat for more than 3 seconds.



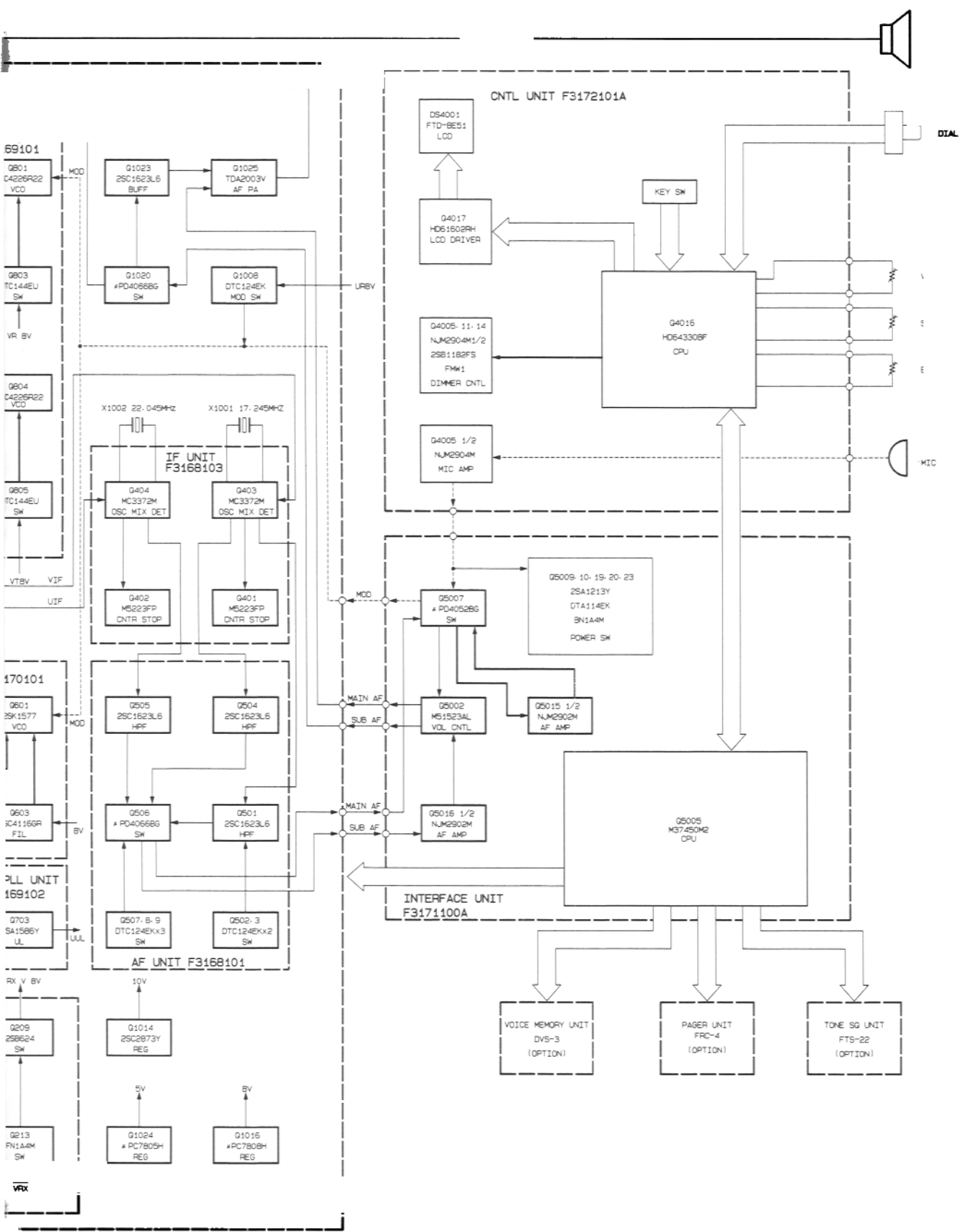
- Remove the tweezers and solder the electrode on the other side in the manner just described.

Notes

Block Diagram



| | #1 | #2 | #3 |
|---|----------------|-------------------|-----------|
| L | Q101 M57715 | Q1004 M57704MR | Q103 — |
| M | M57737 | M57788MR | 1SS97 |
| H | S-4V24 | M57788MR | 1SS97 |



———→ RX
 - - - - -→ TX
 ———|→ COMMON

Servicing

Alignment

The FT-5200 is carefully aligned at the factory for the specified performance across the amateur bands. Realignment should therefore not be necessary except in the event of a component failure. All component replacement and service should be performed only by an authorized Yaesu representative, or the warranty policy may be voided.

The following procedures cover the sometimes critical and tedious adjustments that are not normally required once the transceiver has left the factory. However, if damage occurs and some parts subsequently be replaced, realignment may be required. If a sudden problem occurs during normal operation, it is likely due to component failure; realignment should not be done until after the faulty component has been replaced.

We recommend that servicing be performed only by authorized Yaesu service technicians who are experienced with the circuitry and fully equipped for repair and alignment. Therefore, if a fault is suspected, contact the dealer from whom the transceiver was purchased for instructions regarding repair. Authorized Yaesu service technicians realign all circuits and make complete performance checks to ensure compliance with specifications after replacing any faulty components.

Those who do undertake any of the following alignments are cautioned to proceed at their own risk. Problems caused by unauthorized attempts at realignment are not covered by the warranty policy. Also, Yaesu must reserve the right to change circuits and alignment procedures in the interest of improved performance, without notifying owners.

Under no circumstances should any alignment be attempted unless the normal function and operation of the transceiver are clearly understood, the cause of the malfunction has been clearly pinpointed and any faulty components replaced, and the need for realignment determined to be absolutely necessary.

The following test equipment (and thorough familiarity with its correct use) is neces-

sary for complete realignment. Correction of problems caused by misalignment resulting from use of improper test equipment is not covered under the warranty policy. While most steps do not require all of the equipment listed, the interactions of some adjustments may require that more complex adjustments be performed afterwards. Do not attempt to perform only a single step unless it is clearly isolated electrically from all other steps. Rather, have all test equipment ready before beginning, and follow all of the steps in a section in the order presented.

Required Test Equipment

- RF Signal Generator with calibrated output level at 450 MHz
- Deviation Meter (linear detector)
- Oscilloscope
- AF Millivoltmeter
- SINAD Meter
- Inline Wattmeter with 5% accuracy at 450 MHz
- Regulated DC Power Supply adjustable from 10 to 17 V, 15 A
- 50- Ω Dummy Load: 100 W at 450 MHz
- Frequency Counter: 100-Hz resolution and ± 0.2 -ppm accuracy at 450 MHz
- AF Signal Generator
- DC Voltmeter: high impedance
- Spectrum Analyzer
- UHF Sampling Coupler

Alignment Preparation & Precautions

A 50- Ω dummy load and inline wattmeter must be connected to the antenna jack in all procedures that call for transmission, except where specified otherwise. Correct alignment is not possible with an antenna.

After completing one step, read the following step to determine whether the same test equipment will be required. If not, remove the test equipment (except power supply, dummy load and wattmeter, if connected) before proceeding.

Correct alignment requires that the ambient temperature be the same as that of the transceiver and test equipment, and that this temperature be held constant between 20 and 30 °C (68 ~ 86 °F). When the transceiver is brought into the shop from hot or cold air it should be allowed some time for equalization with the environment before alignment.

Alignments must only be made with oscillator shields and circuit boards firmly affixed in place. Also, the test equipment must be thoroughly warmed up before beginning.

Most alignment procedures call for tuning the transceiver to the high or low band edge, or to band center. The actual frequency differs between different versions, so the technician should make sure of the band limits of each set to be aligned before beginning.

Note: Signal levels in dB referred to in the alignment procedure are based on $0 \text{ dB}\mu = 0.5 \text{ dB}\mu\text{V}$.

PLL VCV

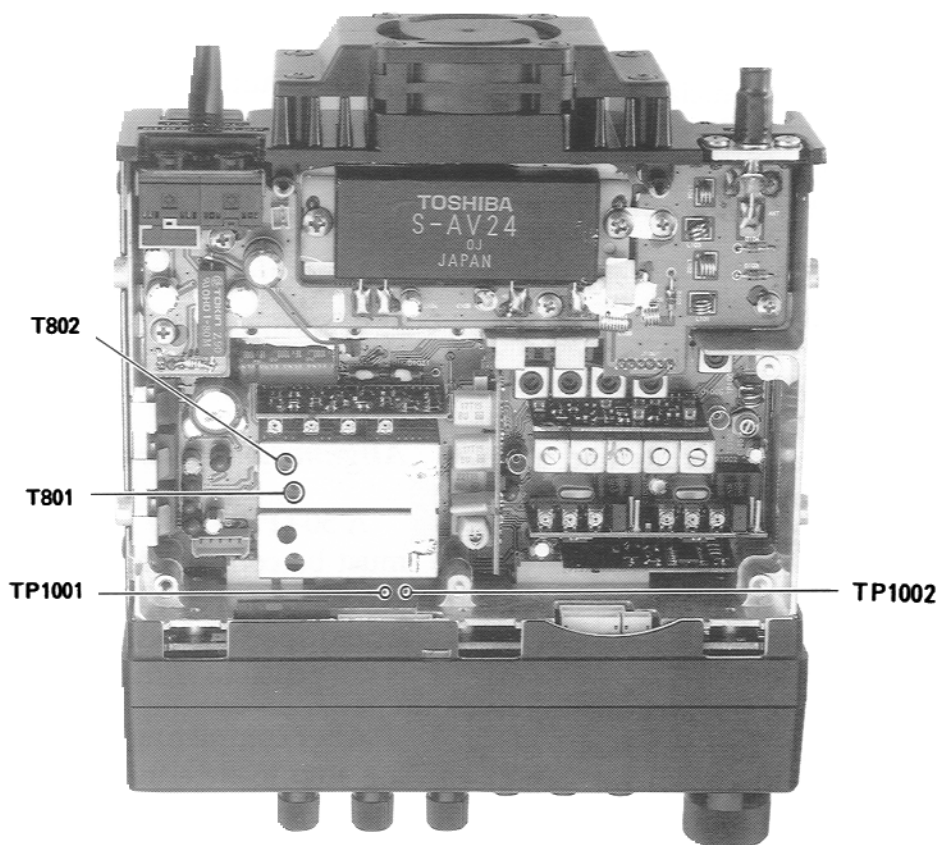
Set up the test equipment as shown here for transmitter alignment. Maintain the supply voltage at 13.6 V for all steps.

VHF PLL VCV (*Varactor Control Voltage*)

- Connect the positive lead of the DC voltmeter to test point TP1001 on the Main Unit, as indicated below, and the negative lead to chassis ground.
- Set the transceiver to 144.000 MHz, and adjust T801 on the 144-MHz VCO Unit for 1.5 V on the voltmeter while receiving.
- Key the transmitter while adjusting T802 on the 144-MHz VCO Unit for 1.5V on the voltmeter.

UHF PLL VCV Check

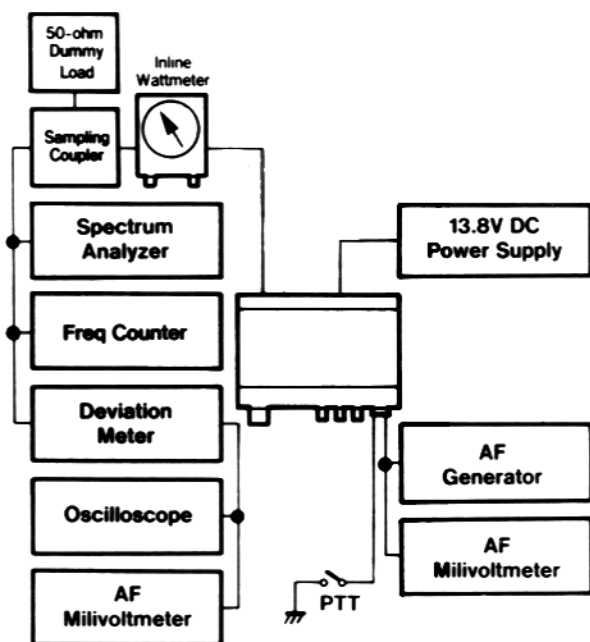
- Connect the DC voltmeter to TP1002 on the Main Unit.
- Tune to 430.000 MHz (432.000 MHz in version D) and confirm the VCV is between 1.5 and 4.5 V while receiving, and between 2.5 and 5.5 V while transmitting.



PLL Unit Alignment Points

2-Meter Transmitter & Ref. Oscillator

For all of these procedures, connect the test equipment as shown in the diagram below.



2-m Transmitter Alignment Setup

2-Meter Power Output

- Tune to the center of the band (for the version being aligned), and press the **LOW** button, if necessary, to select high power output.
- Key the transmitter and adjust VR202 on the APC Unit for 50 watts on the wattmeter (use care not to exceed 60 watts during the alignment).

- Press the **LOW** button to select low power, key the transmitter, and adjust VR201 for 5 watts on the wattmeter.

Reference Oscillator

- While tuned to the center of the band, key the transmitter (without modulation), and adjust TC301 on the Mixer Unit to precisely match the frequency on the counter.

2-Meter Transmitter Deviation

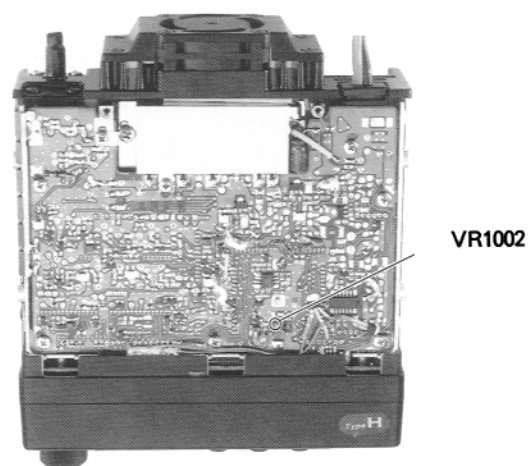
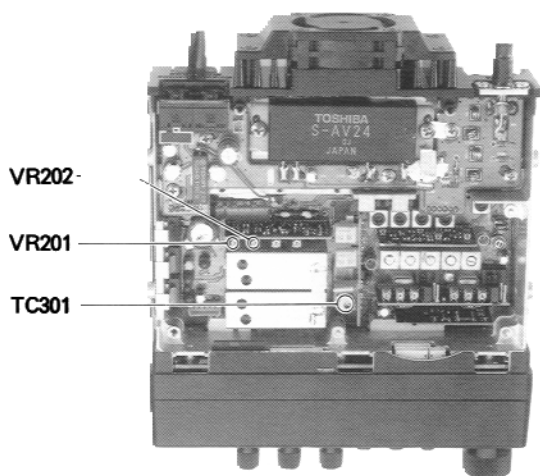
- While tuned to 146.000 MHz, adjust the AF generator attenuator for 50-mV output at 1 kHz to the **MIC** jack.
- Key the transmitter and adjust VR1002 on the Main Unit for ± 4.5 kHz deviation on the deviation meter (within 100 Hz).
- Reduce the AF injection until the deviation meter shows ± 3.5 kHz deviation, and confirm that the injection level is 4 to 6 mV.

70-Centimeter Transmitter

For all of these procedures, connect the test equipment per the top of the next page.

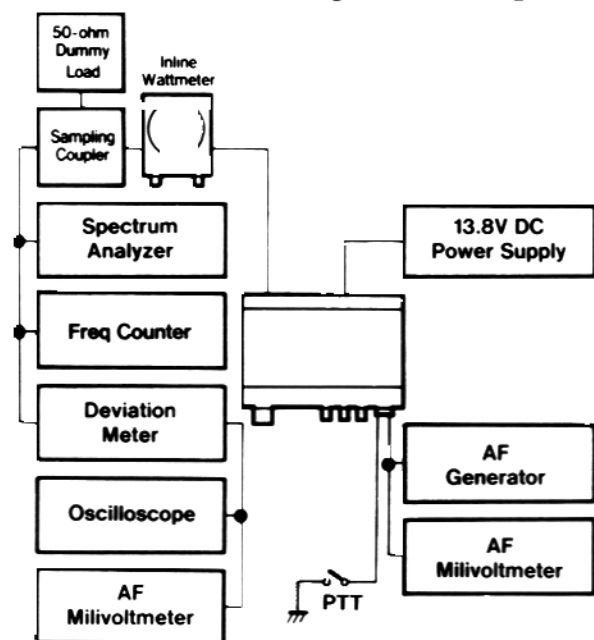
70-Centimeter Power Output

- Tune to band center (for the version being aligned), and press the **LOW** button, if necessary, to select high power output.
- Key the transmitter and adjust VR204 on the APC Unit for 35 watts on the wattmeter (use care not to exceed 42 watts during the alignment).



2-Meter Transmitter & Ref. Osc. Alignment Points

70-cm Transmitter Alignment Setup



- Press the **LOW** button to select low power, key the transmitter, and adjust VR203 for 5 watts on the wattmeter.

70-Centimeter Transmitter Deviation

- While tuned to the center of the band, adjust the AF generator attenuator for 50-mV output at 1 kHz to the **MIC** jack.
- Key the transmitter and adjust VR1001 on the Main Unit for ± 4.5 kHz deviation on the deviation meter (within 100 Hz).
- Reduce the AF injection until the deviation meter shows ± 3.5 kHz deviation, and confirm that the injection level is 4 to 6 mV.

Receiver

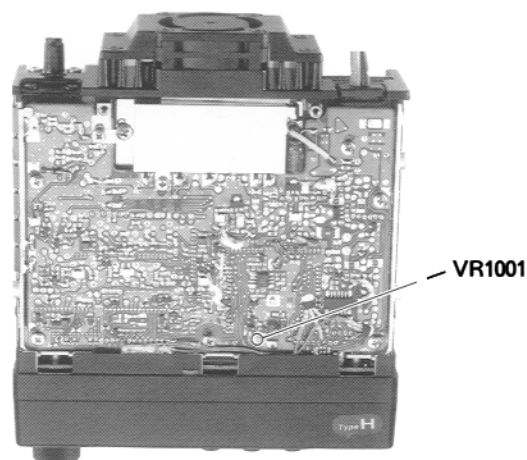
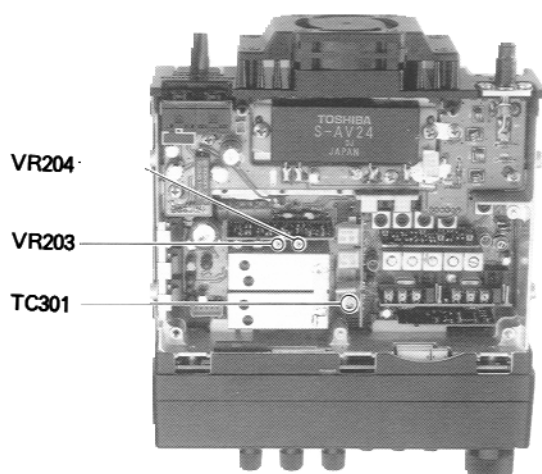
Set up the test equipment as shown below for receiver alignment.

Interstage Transformers

- Tune the transceiver and RF signal generator to the high 2-m band edge. Modulate the RF signal generator with ± 3.5 kHz deviation of a 1-kHz tone.
- Adjust T1002 through T1006 on the Main Unit for optimum 12-dB SINAD (less than -10 dB μ).
- Confirm -8 dB μ or better 12-dB SINAD at the center and bottom edge of the 2-m band.
- Tune the transceiver and RF signal generator to the *center* of the 70-cm band and repeat the same procedure, adjusting TC1001 through TC1006, and confirming -8 dB μ or better SINAD at the band edges.

S-Meter Calibration

- Tune to the top edge of the 2-m band and, inject 25-dB μ RF modulated with ± 3.5 kHz deviation of a 1-kHz tone. Adjust VR405 on the IF Unit so that all S-meter segments are just on.
- Tune the transceiver and RF signal generator to the *center* of the 70-cm band and with the same injection level and modulation, adjust VR406 so that all S-meter segments are just on.



70-cm Transmitter Alignment Points

Scanner Center-Stop

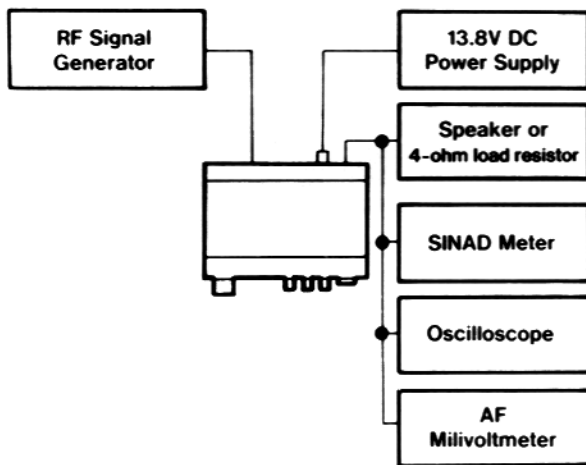
- ❑ With both the transceiver and signal generator tuned to the top edge of the 2-m band, set the signal generator for nil injection, then set the SQL control so that the squelch is just closed.
- ❑ Connect the DC voltmeter (3-V range) between TP1 (+) and TP2 (-) on the IF Unit, and with no signal at the antenna jack, adjust VR403 for zero volts on the meter.
- ❑ Inject 10 dB μ RF modulated with \pm 3.5 kHz deviation of a 1-kHz tone, then press the UP button on the microphone for more than $\frac{1}{2}$

second to start scanning. Confirm that scanning stops at the injection frequency.

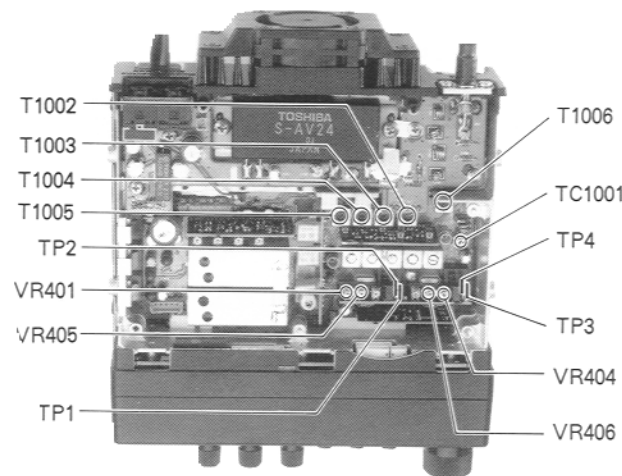
- ❑ Move the DC voltmeter to TP3 (+) and TP4 (-), tune the transceiver and signal generator tuned to the *center* of the 70-cm band and repeat the above steps, adjusting VR404 for zero volts with no signal, and injecting 30 dB μ RF when testing scan stop.

Squelch Preset

- ❑ Set the SQL control to the 9 o'clock position.
- ❑ With no signal at the antenna jack, set VR401 on the IF Unit so that the squelch is just closed.



Receiver Alignment Setup



Receiver Test Points

Pilot Lamp Replacement

- ❑ Remove the control head from the chassis, if connected, by lifting the catch on the left side of the head and unhooking the right side.
- ❑ Pull the knobs off the panel, and unscrew the ring nuts affixing the mic jack and the tuning shaft (you may be able to do this with long-nose pliers, or have your dealer do it with a special wrench).
- ❑ Remove the front panel cover (it clips at the top and bottom edges) and two white plastic shields, and with a jeweler's screwdriver, remove the tiny screw on the circuit board just left of the mic jack.
- ❑ Remove the two screws from the back side of the control head, and carefully separate the back cover from the circuit board, noting the positions of the brackets on either side as you do so.
- ❑ Referring to Figures 1 and 2, unsolder the old bulbs and install the replacements.

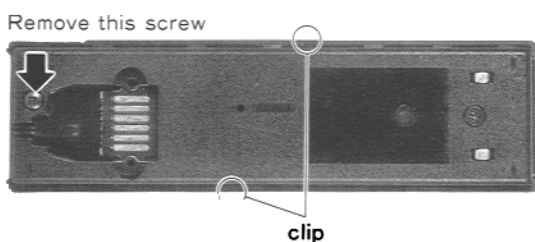


Figure 1.

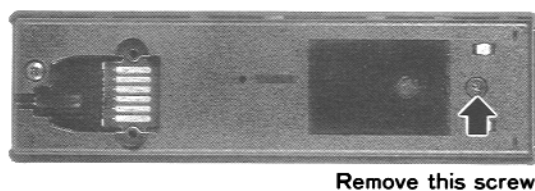


Figure 2.

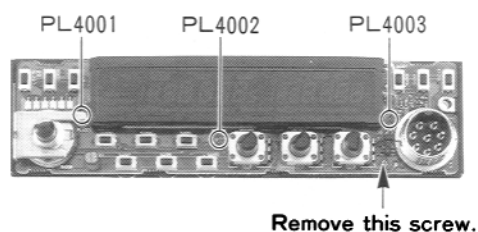


Figure 3.

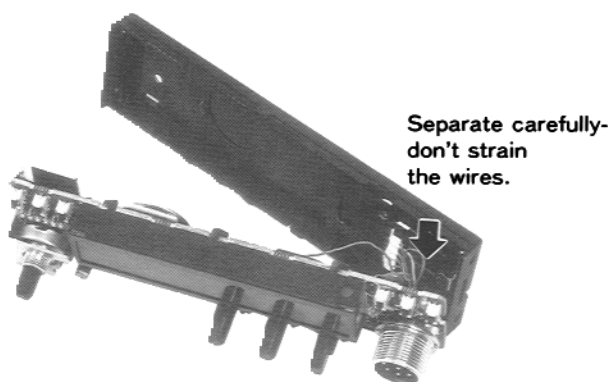


Figure 4.

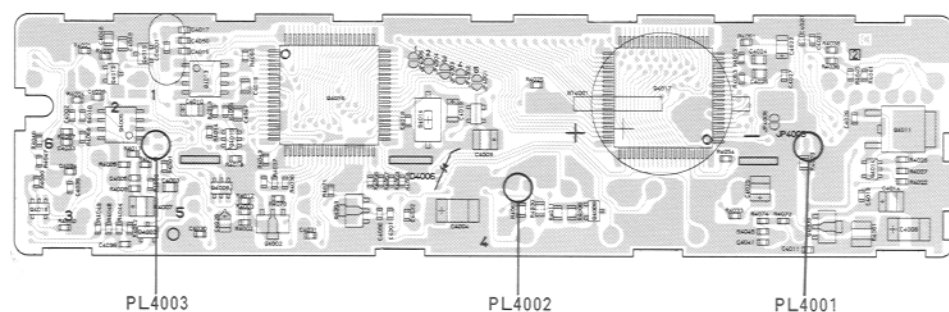
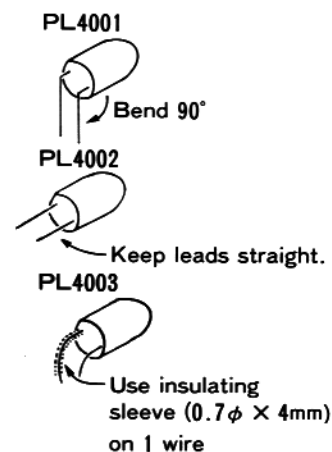


Figure 5.



Installation of Options

This chapter describes the installation procedures for the DVS-3 Digital Voice Recorder/DTMF Pager, FRC-4 DTMF Pager, FTS-22 Tone Squelch Unit and the YSK-1/1L Trunk Mounting Kits. These options are available from your Yaesu dealer. If installing both the FTS-22 and either the FRC-4 or DVS-3, install the FTS-22 last.

Note! The FRC-4 and DVS-3 cannot be installed together. The DVS-3 includes all functions of the FRC-4.

FRC-4 DTMF Pager or DVS-3 Digital Voice Recorder/DTMF Pager Installation

The FRC-4 provides DTMF paging/selcall features using 3-digit DTMF station ID codes. Six code memories store your ID code plus those of five frequently-called stations. Control is provided through the front panel of the transceiver. The DVS-3 includes all features of the FRC-4, plus recording and playback of received signals and messages for transmission. See the *FT-5200 Operating Manual* for operational details.

The FRC-4 and DVS-3 install in the same location, and cannot both be installed together. If also installing the FTS-22 Tone Squelch Unit, save it until after the FRC-4 or DVS-3 is installed.

- ❑ Disconnect the DC power cable, and set the transceiver upside-down. Referring to Figure 1 on the next page, remove the six screws affixing the bottom cover, and remove the cover.
- ❑ Lift the speaker out of its bracket, and set the bracket and speaker aside for now. Referring to Figure 2, note the accessory mounting location. If the FTS-22 is already installed, you will need to remove it temporarily: just lift the FTS-22 board gently, allowing the double-sided tape underneath to come unstuck. Keep the tape with the FTS-22 board, and fold it aside for the moment (you need not disconnect it).
- ❑ If the FRC-4 is installed and you are installing a DVS-3 (or vice-versa), remove the screw holding the installed board, and unplug its three cables.

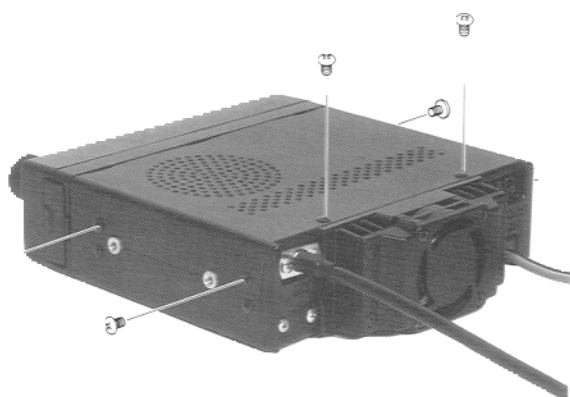
- ❑ Refer to Figure 3 for the location of the three connectors used by the FRC-4 and DVS-3 (just in front of the loudspeaker's position). Connect the cables from the FRC-4 or DVS-3 to these connectors carefully, so as not to install the plugs upside down.
- ❑ Position the FRC-4 or DVS-3 as shown in Figure 4, and use the supplied screw to fix it in place.
- ❑ If the FTS-22 was already installed, reuse the double-sided tape to stick it on top of the newly installed board, in the same way it was before (that is, with the cable running over the top of the FTS-22).
- ❑ If installing an FTS-22 in this transceiver for the first time, proceed to the FTS-22 procedure below. Otherwise, replace the loudspeaker and its bracket, the top cover, and its six screws.

FTS-22 Tone Squelch Unit Installation

The FTS-22 includes an encoder and decoder for 38 EIA standard subaudible CTCSS tones, programmable from the front panel of the FT-6200. It provides silent monitoring of busy channels when activated by the EN-Code/DECode Tone Squelch function. Tone squelch operation on both bands requires only one FTS-22, and it may be installed after installing either the DVS-3 or FRC-4. See the *FT-5200 Operating Manual* for operational details.

- ❑ Disconnect the power cable, and turn the set upside-down. Referring to Figure 1 on the next page, remove the six screws affixing the bottom cover, and remove the cover.
- ❑ Referring to Figure 5, locate unused 12-pin connector J5005 inside the front panel.
- ❑ Peel the covering from one side of the double-sided tape provided with the FTS-22. If the FRC-4 or DVS-3 is installed in front of J5005, stick the tape on top of that board. Otherwise, stick it on the top of the VCO housing just behind J5005.
- ❑ Note in Figure 6 how the FTS-22 cable routes over the top of the board. Plug the FTS-22 cable into J5005. Then peel the covering from the exposed side of the tape, and press the FTS-22 onto it.

- The factory adjusts the output tone level (VR1 the FTS-22) for the proper deviation should require further adjustment
- Replace the bottom removed the first step



Figure

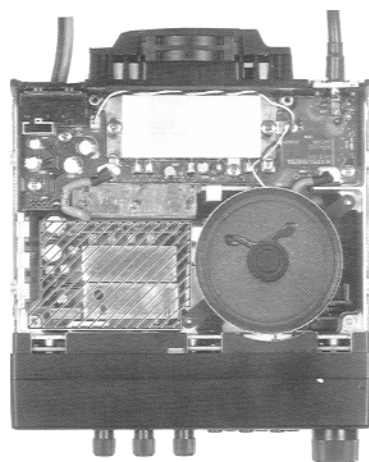


Figure 2.

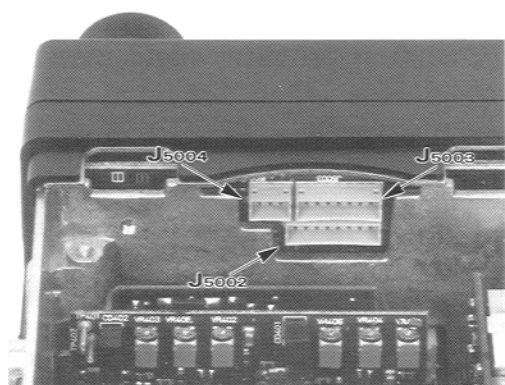


Figure 3.

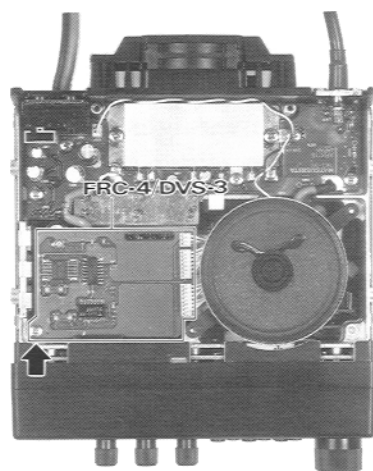


Figure 4.

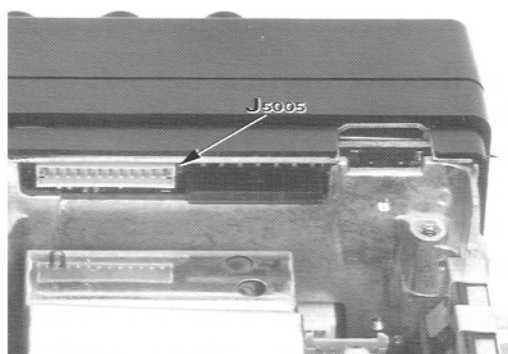
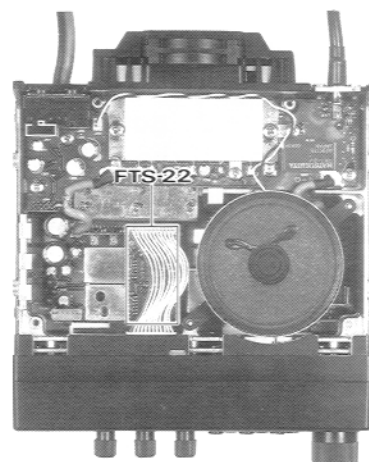


Figure 5.



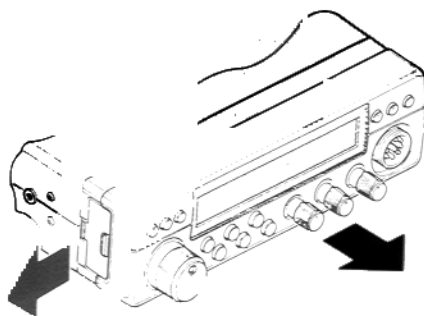
Figure

YSK-1/1L Trunk Mounting Kit Installation

The YSK-1/1L kits consist of a 3-m (YSK-1) or 6-m (YSK-1L) interconnecting cable for the Controller, and Controller mounting hardware. This allows the main body of the transceiver to be installed under a seat, in the trunk, or anywhere else out of the way, while the Controller is mounted on the dashboard. A choice of Controller mounting methods allows it to be easily removed and taken with you when leaving the vehicle.

To install the YSK-1/1L:

- Disconnect the DC power cable, and carefully lift the latch on the left side of the Front Panel/Controller while pulling the panel forward.



Caution!

Do not install the main body of the transceiver near a heating vent, nor in a tightly closed compartment – the heatsink need ventilation!

- Use two of the supplied 12-mm ($\frac{1}{2}$ -inch) machine screws to connect the mating end of the extension cable (the end with flat contacts) over the contacts on the front of the transceiver body, so that the cable exits the connector toward the center of the transceiver body.
- Mount the main body of the transceiver in the trunk or other out-of-the-way location using the MMB-37 Mounting Bracket supplied with the transceiver, as described on pages 7 and 8. Remember: DC power must be supplied to the main body, and at least one external speaker (page 9) should be connected.
- Route the external speaker cable and Controller interconnecting cable to the desired locations.
- Referring to the diagram on the next page, decide where to install the Front Panel/Controller, and which parts of the Controller mounting hardware you will need. The Controller Nest may be screwed directly to a flat surface, or installed with the hinged angle bracket. If you will not

Radio Manuals

www.amateurmanuals.co.uk

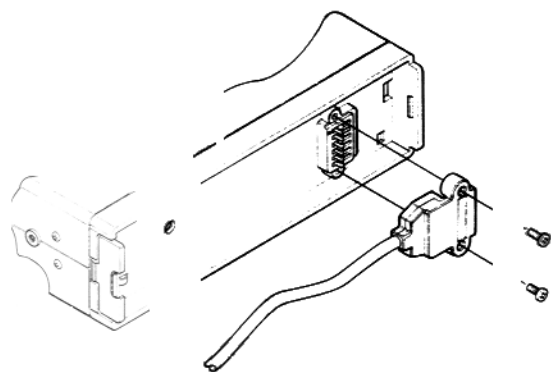
Specialists in Obsolete Manuals

Yaesu, Kenwood, Icom, KW, Henry, Tokyo Hi-Power, ERA, Trio, KDK, FDK, Azden, Standard, AOR, SMC, Sagra, MML, NRD, JRC, Alinco plus many more.
Amateur and Commercial/Marine

need the hinged bracket, remove the two short machine screws affixing it to the Nest.

✘ *Do not mount the Controller Unit where it will be exposed to direct sunlight for long periods, nor where temperatures might exceed 60 °C (140 °F).*

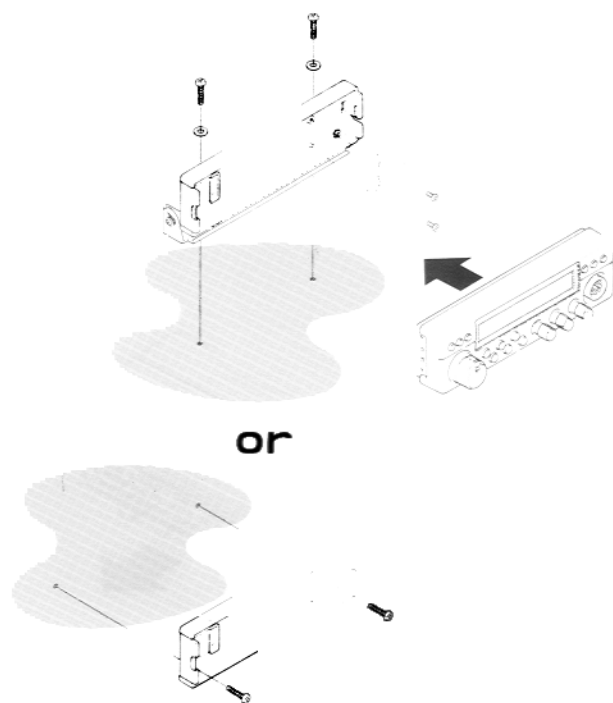
□ Use the two supplied self-tapping screws and flat washers to mount the Nest (with or without the metal bracket) to the car.



□ Using the two supplied 7-mm ($\frac{1}{4}$ -inch) machine screws, mount the free end of the cable inside the Controller Nest so that the contacts face outward.

□ Clip the Front Panel/Controller into the Nest, right side first.

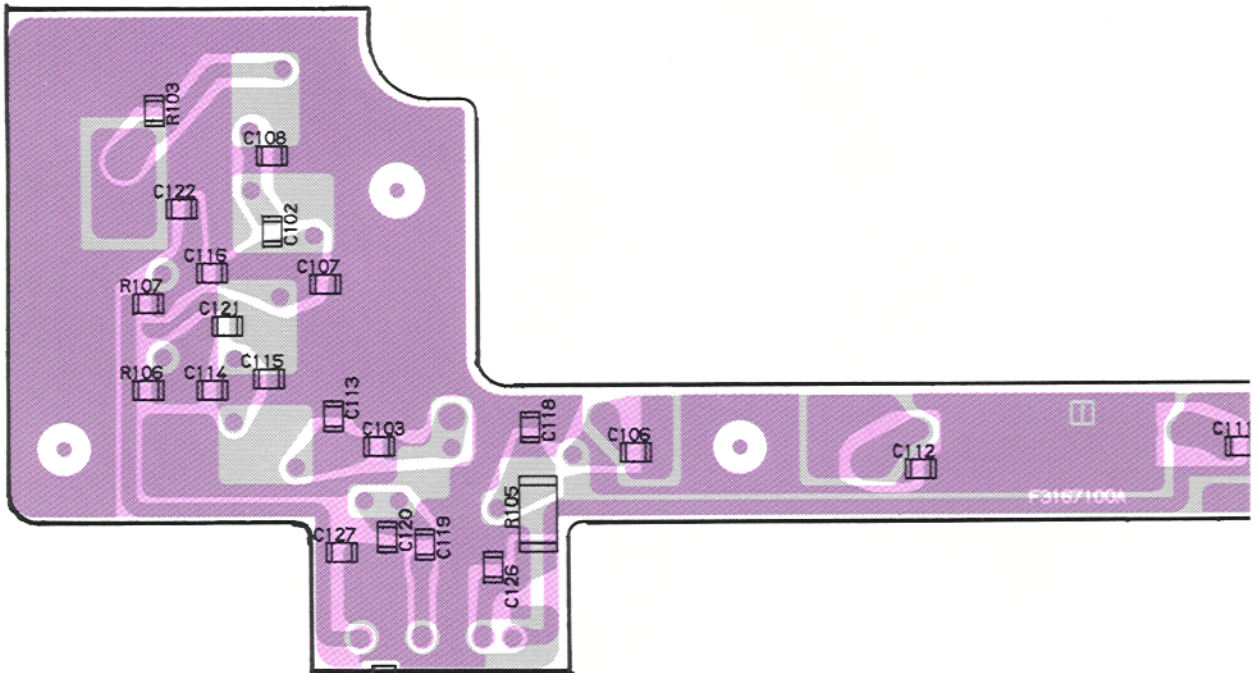
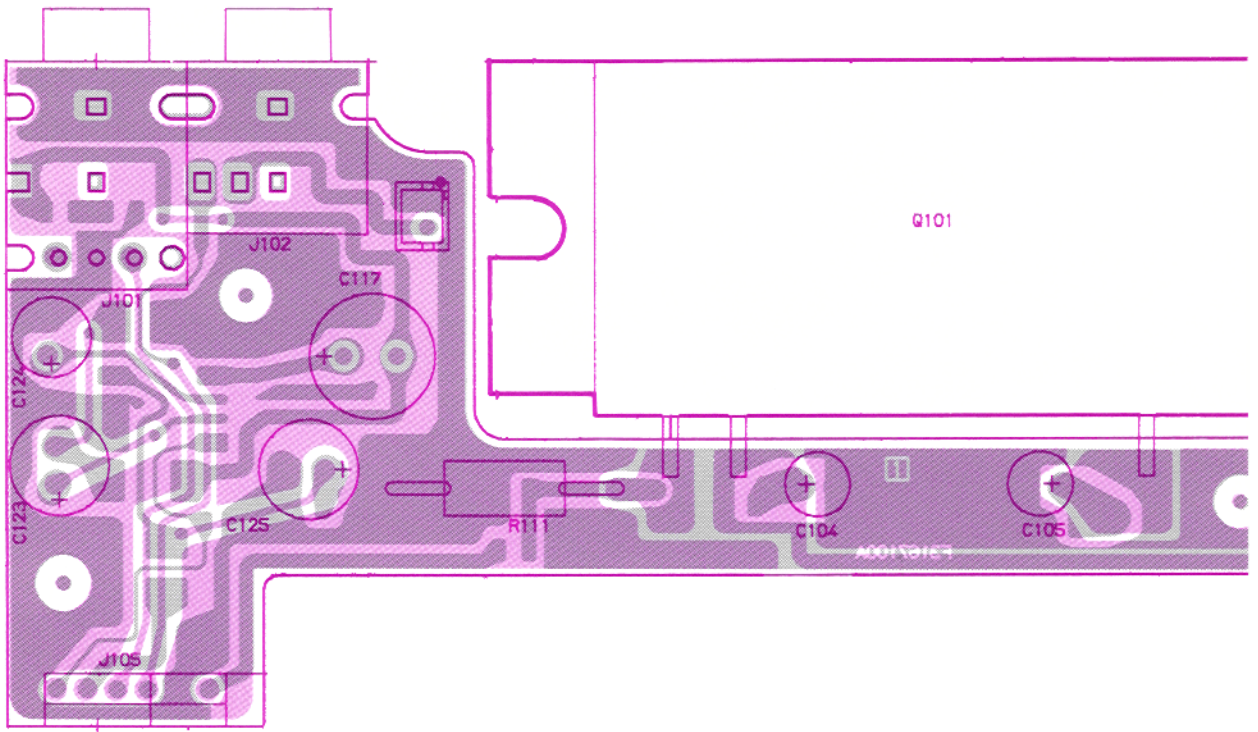
Note: In cold climates the display on the Controller Unit may fail to operate in temperatures below -20 °C (-4 °F).

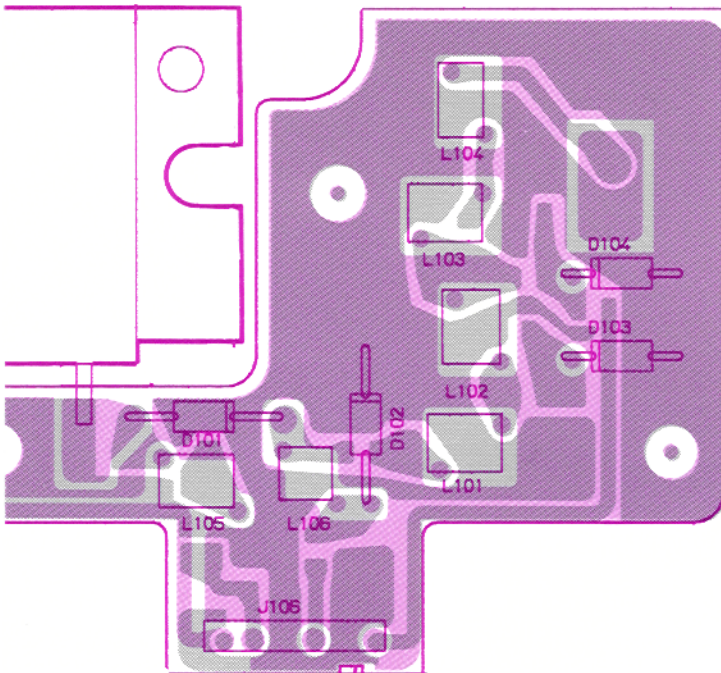


| REF. | YAESU P/N | DESCRIPTION | MFR'S DESIG | VALUE | WV | TOL. | VERS. |
|--------|-----------|-------------------|--------------------|---------|-----|------|-------|
| | CA0237002 | P. C. B. W COMP. | | | | | |
| | F3167101A | P. C. B. | | | | | |
| C 0101 | K22140811 | CHIP CAP. | GRM40B104M25PT | 0.1uF | 25V | B | |
| C 0102 | K22170213 | CHIP CAP. | GRM40CH120J50PT | 12pF | 50V | CH | |
| C 0103 | K22170805 | CHIP CAP. | GRM40B102M50PT | 0.001uF | 50V | B | |
| C 0104 | K46120004 | AL. ELECTRO. CAP. | 16V100M4X7TR2 | 10uF | 16V | | |
| C 0105 | K46120004 | AL. ELECTRO. CAP. | 16V100M4X7TR2 | 10uF | 16V | | |
| C 0106 | K22170211 | CHIP CAP. | GRM40CH100D50PT | 10pF | 50V | CH | |
| C 0107 | K22170225 | CHIP CAP. | GRM40CH390J50PT | 39pF | 50V | CH | |
| C 0108 | K22170217 | CHIP CAP. | GRM40CH180J50PT | 18pF | 50V | CH | |
| C 0110 | K22170805 | CHIP CAP. | GRM40B102M50PT | 0.001uF | 50V | B | |
| C 0111 | K22170805 | CHIP CAP. | GRM40B102M50PT | 0.001uF | 50V | B | |
| C 0112 | K22170805 | CHIP CAP. | GRM40B102M50PT | 0.001uF | 50V | B | |
| C 0113 | K22170225 | CHIP CAP. | GRM40CH390J50PT | 39pF | 50V | CH | |
| C 0114 | K22170202 | CHIP CAP. | GRM40CK010C50PT | 1pF | 50V | CK | |
| C 0115 | K22170223 | CHIP CAP. | GRM40CH330J50PT | 33pF | 50V | CH | |
| C 0116 | K22170202 | CHIP CAP. | GRM40CK010C50PT | 1pF | 50V | CK | |
| C 0117 | K40129066 | AL. ELECTRO. CAP. | RE3-16V471M | 470uF | 16V | | |
| C 0118 | K22170805 | CHIP CAP. | GRM40B102M50PT | 0.001uF | 50V | B | |
| C 0119 | K22170219 | CHIP CAP. | GRM40CH220J50PT | 22pF | 50V | CH | |
| C 0120 | K22170213 | CHIP CAP. | GRM40CH120J50PT | 12pF | 50V | CH | |
| C 0121 | K22170213 | CHIP CAP. | GRM40CH120J50PT | 12pF | 50V | CH | |
| C 0122 | K22170217 | CHIP CAP. | GRM40CH180J50PT | 18pF | 50V | CH | |
| C 0123 | K46120006 | AL. ELECTRO. CAP. | 16V470M6X7TR2 | 47uF | 16V | | |
| C 0124 | K46120005 | AL. ELECTRO. CAP. | 16V220M5X7TR2 | 22uF | 16V | | |
| C 0125 | K46120007 | AL. ELECTRO. CAP. | 16V101M6X7TR2 | 100uF | 16V | | |
| C 0126 | K22170805 | CHIP CAP. | GRM40B102M50PT | 0.001uF | 50V | B | |
| C 0127 | K22170805 | CHIP CAP. | GRM40B102M50PT | 0.001uF | 50V | B | |
| C 0128 | K22170805 | CHIP CAP. | GRM40B102M50PT | 0.001uF | 50V | B | |
| C 0129 | K22170805 | CHIP CAP. | GRM40B102M50PT | 0.001uF | 50V | B | |
| C 0130 | K22170235 | CHIP CAP. | GRM40CH101J50PT | 100pF | 50V | CH | |
| C 0131 | K22170805 | CHIP CAP. | GRM40B102M50PT | 0.001uF | 50V | B | |
| D 0101 | G2090425 | DIODE | UM9415 | | | | |
| D 0102 | G2090337 | DIODE | M1308 | | | | |
| D 0103 | G2090118 | DIODE | 1SS97 | | | | |
| D 0104 | G2090118 | DIODE | 1SS97 | | | | |
| D 0105 | G2090337 | DIODE | M1308 | | | | |
| J 0101 | P1090667 | CONNECTOR | HSJC 13-01-160 | | | | |
| J 0102 | P1090668 | CONNECTOR | HSJC 12-01-050 | | | | |
| J 0103 | P0090647 | CONNECTOR | B2B- 7R | | | | |
| J 0105 | P0090789 | CONNECTOR | 9210 3-1-06Z170-T | | | | |
| J 0106 | P0090789 | CONNECTOR | 9210 3-1-06Z170-T | | | | |
| L 0101 | L002 811A | COIL | 2.5T3. ODO. 6UEW R | | | | |
| L 0102 | L002 812A | COIL | 3.5T3. ODO. 6UEW R | | | | |
| L 0103 | L002 811A | COIL | 2.5T3. ODO. 6UEW R | | | | |
| L 0104 | L002 811A | COIL | 2.5T3. ODO. 6UEW R | | | | |
| L 0105 | L002 724 | COIL | 8.5T3. ODO. 5UEW R | | | | |
| L 0106 | L002 428 | COIL | 4.5T3. ODO. 5UEW R | | | | |

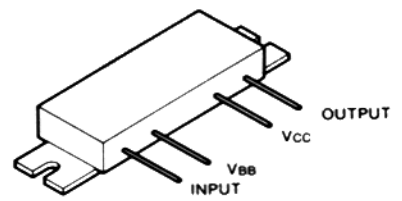
| REF. | YAESU P/N | DESCRIPTION | MFGR'S DESIG | VALUE | WV | TOL. | VERS. |
|--------|-----------|-------------|----------------|-------|----|-------|-------|
| Q 0101 | G1091018 | IC | S-AV24 | | | | |
| Q 0102 | G1091112 | IC | TDA7233D-TR | | | | |
| R 0101 | J24205479 | CHIP RES. | RMC1/10T 4R7J | 4.7 | | 1/10W | |
| R 0103 | J24205223 | CHIP RES. | RMC1/10T 223J | 22K | | 1/10W | |
| R 0104 | J24275221 | CHIP RES. | RMC1/2 221JCTP | 220 | | 1/2W | |
| R 0105 | J24275151 | CHIP RES. | RMC1/2 151JCTP | 150 | | 1/2W | |
| R 0106 | J24205103 | CHIP RES. | RMC1/10T 103J | 10K | | 1/10W | |
| R 0107 | J24205103 | CHIP RES. | RMC1/10T 103J | 10K | | 1/10W | |
| R 0108 | | | | | | | |
| R 0109 | J24205103 | CHIP RES. | RMC1/10T 103J | 10K | | 1/10W | |
| R 0110 | J24245229 | CHIP RES. | RMC1/4 2R2JATP | 2.2 | | 1/4W | |

144-PA UNIT (No.01XX)

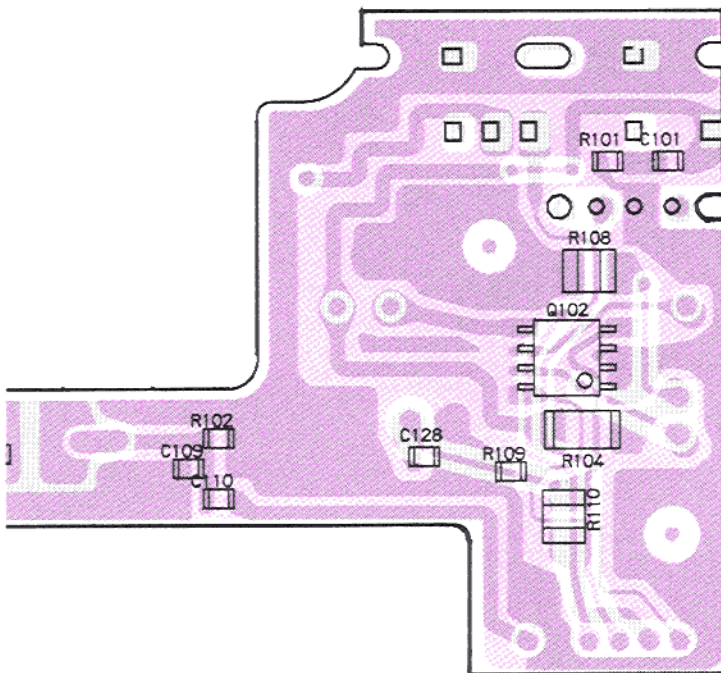




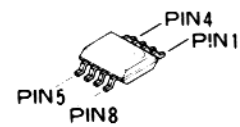
(obverse view of "component" side)



50W Type : S-AV24
(Q0101)

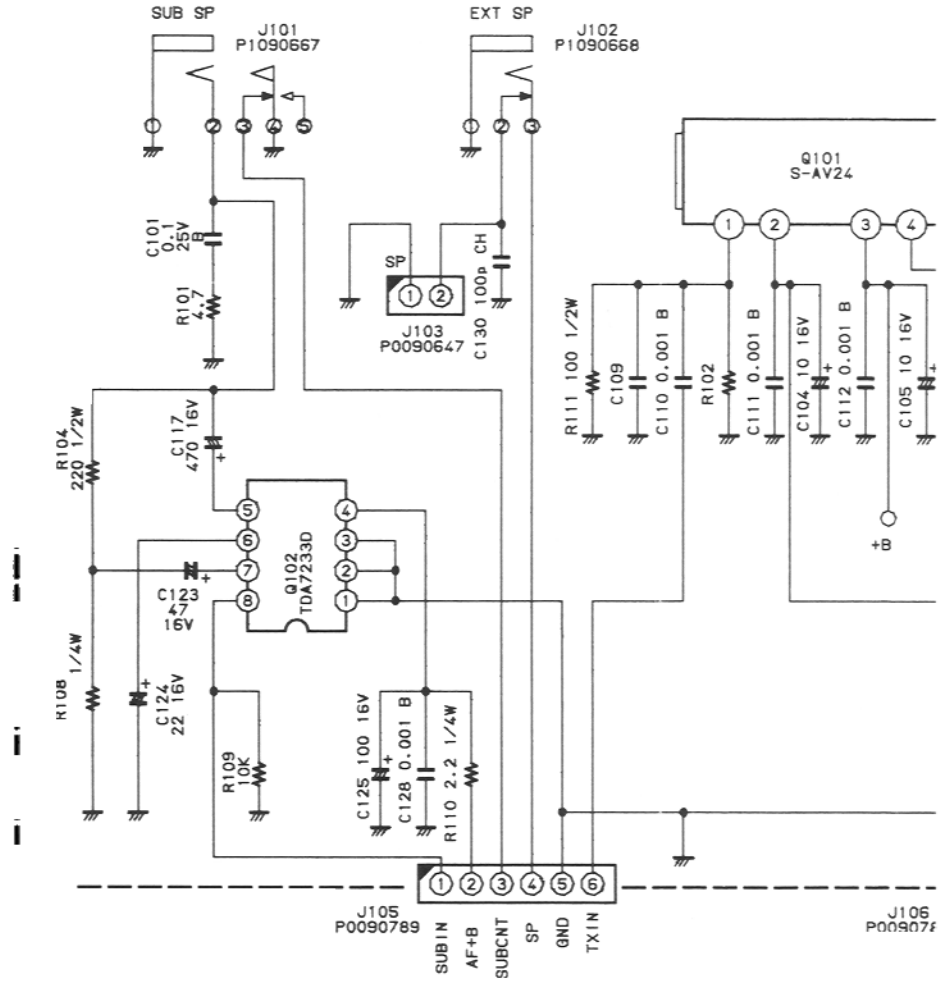


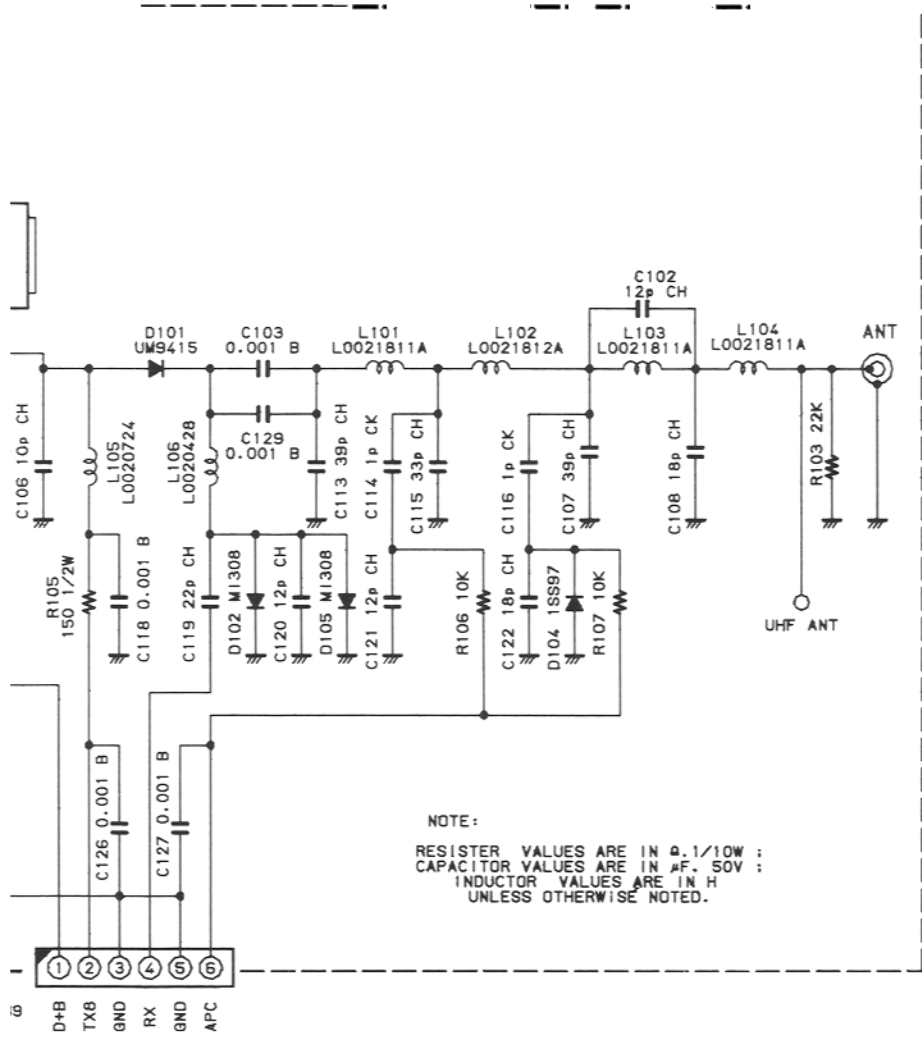
(obverse view of "chip-only" side)



TDA7233D
(Q0102)

144 PA UNIT F3167101A



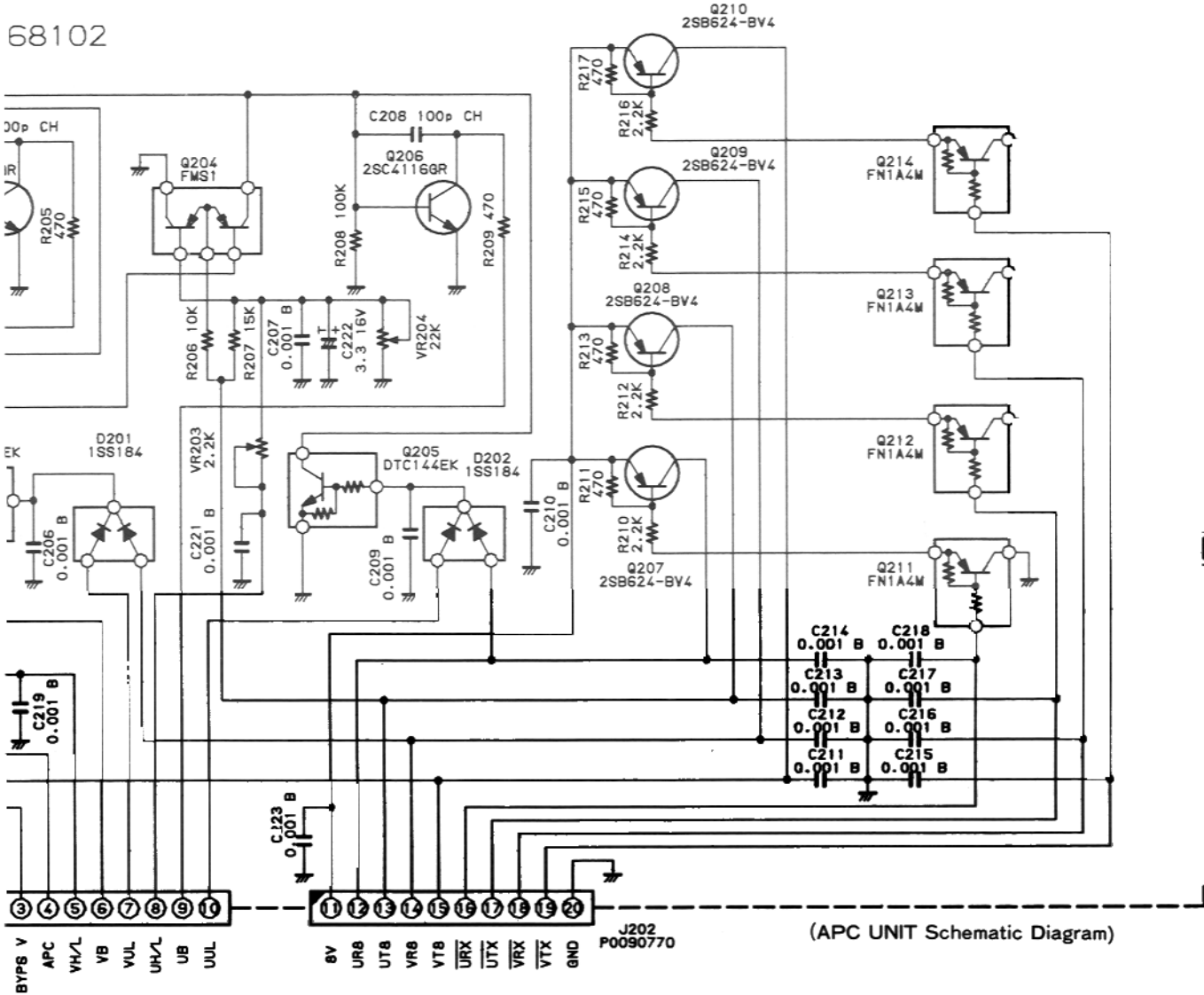


(144-PA UNIT Schematic Diagram)

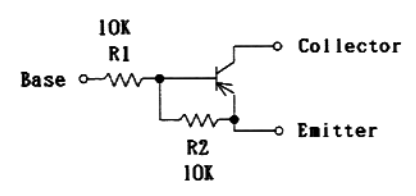
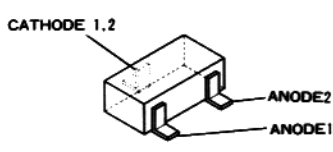
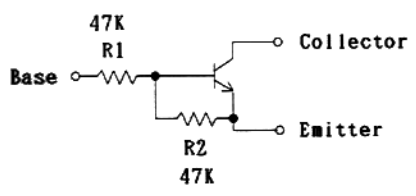
| REF. | YAESU P/N | DESCRIPTION | MFR'S DESIG | VALUE | WV | TOL. | VERS. |
|--------|-----------|--------------------|------------------|---------|-----|-------|-------|
| | CA0360003 | P. C. B. W COMP. | | | | | |
| | F3168102 | P. C. B. | | | | | |
| C 0201 | K22174809 | CHIP CAP. | GRM39B102M50PT | 0.001uF | 50V | B | |
| C 0202 | K22120805 | CHIP CAP. | GRM40R683M16PT | 0.068uF | 16V | R | |
| C 0203 | K22174809 | CHIP CAP. | GRM39B102M50PT | 0.001uF | 50V | B | |
| C 0204 | K22174809 | CHIP CAP. | GRM39B102M50PT | 0.001uF | 50V | B | |
| C 0205 | K22174235 | CHIP CAP. | GRM39CH101J50PT | 100pF | 50V | CH | |
| C 0206 | K22174809 | CHIP CAP. | GRM39B102M50PT | 0.001uF | 50V | B | |
| C 0207 | K22174809 | CHIP CAP. | GRM39B102M50PT | 0.001uF | 50V | B | |
| C 0208 | K22174235 | CHIP CAP. | GRM39CH101J50PT | 100pF | 50V | CH | |
| C 0209 | K22174809 | CHIP CAP. | GRM39B102M50PT | 0.001uF | 50V | B | |
| C 0210 | K22174809 | CHIP CAP. | GRM39B102M50PT | 0.001uF | 50V | B | |
| C 0211 | K22174809 | CHIP CAP. | GRM39B102M50PT | 0.001uF | 50V | B | |
| C 0212 | K22174809 | CHIP CAP. | GRM39B102M50PT | 0.001uF | 50V | B | |
| C 0213 | K22174809 | CHIP CAP. | GRM39B102M50PT | 0.001uF | 50V | B | |
| C 0214 | K22174809 | CHIP CAP. | GRM39B102M50PT | 0.001uF | 50V | B | |
| C 0215 | K22174809 | CHIP CAP. | GRM39B102M50PT | 0.001uF | 50V | B | |
| C 0216 | K22174809 | CHIP CAP. | GRM39B102M50PT | 0.001uF | 50V | B | |
| C 0217 | K22174809 | CHIP CAP. | GRM39B102M50PT | 0.001uF | 50V | B | |
| C 0218 | K22174809 | CHIP CAP. | GRM39B102M50PT | 0.001uF | 50V | B | |
| C 0219 | K22174809 | CHIP CAP. | GRM39B102M50PT | 0.001uF | 50V | B | |
| C 0220 | K78120010 | TANTALUM CHIP CAP. | TESVB21C335M8R | 3.3uF | 16V | | |
| C 0221 | K22174809 | CHIP CAP. | GRM39B102M50PT | 0.001uF | 50V | B | |
| C 0222 | K78120010 | TANTALUM CHIP CAP. | TESVB21C335M8R | 3.3uF | 16V | | |
| C 0223 | K22174809 | CHIP CAP. | GRM39B102M50PT | 0.001uF | 50V | B | |
| D 0201 | G2070009 | DIODE | 1SS184 TE85R | | | | |
| D 0202 | G2070009 | DIODE | 1SS184 TE85R | | | | |
| J 0201 | P0090770 | CONNECTOR | 9230B-1-10Z005-T | | | | |
| J 0202 | P0090770 | CONNECTOR | 9230B-1-10Z005-T | | | | |
| Q 0201 | G3070008 | TRANSISTOR | FMS1 T98 | | | | |
| Q 0202 | G3341167G | TRANSISTOR | 2SC4116GR TE85R | | | | |
| Q 0203 | G3070033 | TRANSISTOR | DTC144EK T97 | | | | |
| Q 0204 | G3070008 | TRANSISTOR | FMS1 T98 | | | | |
| Q 0205 | G3070033 | TRANSISTOR | DTC144EK T97 | | | | |
| Q 0206 | G3341167G | TRANSISTOR | 2SC4116GR TE85R | | | | |
| Q 0207 | G3206247D | TRANSISTOR | 2SB624-T2B BV4 | | | | |
| Q 0208 | G3206247D | TRANSISTOR | 2SB624-T2B BV4 | | | | |
| Q 0209 | G3206247D | TRANSISTOR | 2SB624-T2B BV4 | | | | |
| Q 0210 | G3206247D | TRANSISTOR | 2SB624-T2B BV4 | | | | |
| Q 0211 | G3070005 | TRANSISTOR | FN1A4M-T2B | | | | |
| Q 0212 | G3070005 | TRANSISTOR | FN1A4M-T2B | | | | |
| Q 0213 | G3070005 | TRANSISTOR | FN1A4M-T2B | | | | |
| Q 0214 | G3070005 | TRANSISTOR | FN1A4M-T2B | | | | |
| R 0201 | J24185103 | CHIP RES. | RMC1/16 103JATP | 10K | | 1/16W | |
| R 0202 | J24185103 | CHIP RES. | RMC1/16 103JATP | 10K | | 1/16W | |
| R 0203 | J24185103 | CHIP RES. | RMC1/16 103JATP | 10K | | 1/16W | |
| R 0204 | J24185104 | CHIP RES. | RMC1/16 104JATP | 100K | | 1/16W | |
| R 0205 | J24185471 | CHIP RES. | RMC1/16 471JATP | 470 | | 1/16W | |

| REF. | YAESU P/N | DESCRIPTION | MFGR'S DESIG | VALUE | WV | TOL. | VERS. |
|--------|-----------|-------------|-----------------|-------|-------|------|-------|
| R 0206 | J24185103 | CHIP RES. | RMC1/16 103JATP | 10K | 1/16W | | |
| R 0207 | J24185153 | CHIP RES. | RMC1/16 153JATP | 15K | 1/16W | | |
| R 0208 | J24185104 | CHIP RES. | RMC1/16 104JATP | 100K | 1/16W | | |
| R 0209 | J24185471 | CHIP RES. | RMC1/16 471JATP | 470 | 1/16W | | |
| R 0210 | J24185222 | CHIP RES. | RMC1/16 222JATP | 2.2K | 1/16W | | |
| R 0211 | J24185471 | CHIP RES. | RMC1/16 471JATP | 470 | 1/16W | | |
| R 0212 | J24185222 | CHIP RES. | RMC1/16 222JATP | 2.2K | 1/16W | | |
| R 0213 | J24185471 | CHIP RES. | RMC1/16 471JATP | 470 | 1/16W | | |
| R 0214 | J24185222 | CHIP RES. | RMC1/16 222JATP | 2.2K | 1/16W | | |
| R 0215 | J24185471 | CHIP RES. | RMC1/16 471JATP | 470 | 1/16W | | |
| R 0216 | J24185222 | CHIP RES. | RMC1/16 222JATP | 2.2K | 1/16W | | |
| R 0217 | J24185471 | CHIP RES. | RMC1/16 471JATP | 470 | 1/16W | | |
| R 0218 | J24185101 | CHIP RES. | RMC1/16 101JATP | 100 | 1/16W | | |
| R 0219 | J24185101 | CHIP RES. | RMC1/16 101JATP | 100 | 1/16W | | |
| VR0201 | J50785222 | POT. | RH03AVAJ3X01A | 2.2K | | | |
| VR0202 | J51778223 | POT. | RH03AYAJ4X | 22K | | | |
| VR0203 | J50785222 | POT. | RH03AVAJ3X01A | 2.2K | | | |
| VR0204 | J51778223 | POT. | RH03AYAJ4X | 22K | | | |

68102



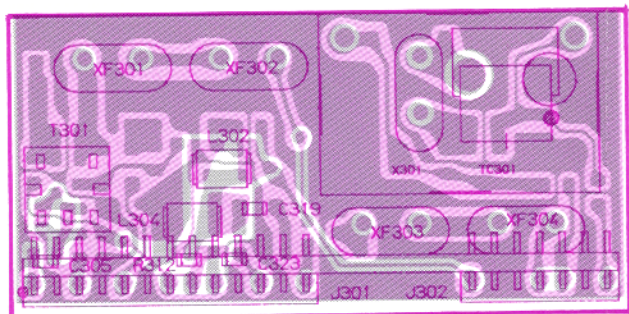
(APC UNIT Schematic Diagram)



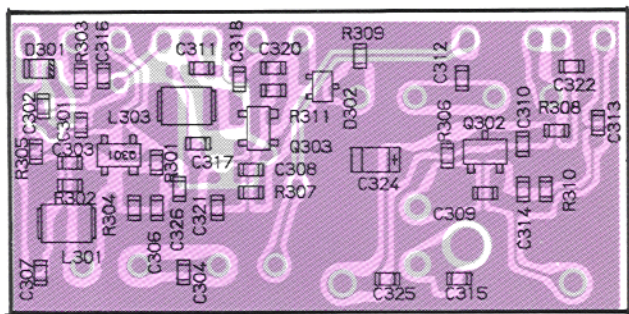
| REF. | YAESU P/N | DESCRIPTION | MFR'S DESIG | VALUE | WV | TOL. | VERS. |
|--------|-----------|--------------------|-------------------|---------|-------|------|-------|
| | CA0247001 | P. C. B. W COMP. | | | | | |
| | F3168104 | P. C. B. | | | | | |
| C 0301 | K22174809 | CHIP CAP. | GRM39B102M50PT | 0.001uF | 50V | B | |
| C 0302 | K22174219 | CHIP CAP. | GRM39CH220J50PT | 22pF | 50V | CH | |
| C 0303 | K22174223 | CHIP CAP. | GRM39CH330J50PT | 33pF | 50V | CH | |
| C 0304 | K22174208 | CHIP CAP. | GRM39CH070D50PT | 7pF | 50V | CH | |
| C 0305 | K22174809 | CHIP CAP. | GRM39B102M50PT | 0.001uF | 50V | B | |
| C 0306 | K22144802 | CHIP CAP. | GRM39B103M25PT | 0.01uF | 25V | B | |
| C 0307 | K22144802 | CHIP CAP. | GRM39B103M25PT | 0.01uF | 25V | B | |
| C 0308 | K22174229 | CHIP CAP. | GRM39CH560J50PT | 56pF | 50V | CH | |
| C 0309 | K22174239 | CHIP CAP. | GRM39CH151J50PT | 150pF | 50V | CH | |
| C 0310 | K22144802 | CHIP CAP. | GRM39B103M25PT | 0.01uF | 25V | B | |
| C 0311 | K22174205 | CHIP CAP. | GRM39CH040C50PT | 4pF | 50V | CH | |
| C 0312 | K22174207 | CHIP CAP. | GRM39CH060D50PT | 6pF | 50V | CH | |
| C 0313 | K22144802 | CHIP CAP. | GRM39B103M25PT | 0.01uF | 25V | B | |
| C 0314 | K22174239 | CHIP CAP. | GRM39CH151J50PT | 150pF | 50V | CH | |
| C 0315 | K22174221 | CHIP CAP. | GRM39CH270J50PT | 27pF | 50V | CH | |
| C 0316 | K22144802 | CHIP CAP. | GRM39B103M25PT | 0.01uF | 25V | B | |
| C 0318 | K22174204 | CHIP CAP. | GRM39CJ030C50PT | 3pF | 50V | CJ | |
| C 0320 | K22144802 | CHIP CAP. | GRM39B103M25PT | 0.01uF | 25V | B | |
| C 0321 | K22144802 | CHIP CAP. | GRM39B103M25PT | 0.01uF | 25V | B | |
| C 0322 | K22144802 | CHIP CAP. | GRM39B103M25PT | 0.01uF | 25V | B | |
| C 0323 | K22144802 | CHIP CAP. | GRM39B103M25PT | 0.01uF | 25V | B | |
| C 0324 | K78080017 | TANTALUM CHIP CAP. | TEMSVA0J475M-8R | 4.7uF | 6.3V | | |
| C 0325 | K22174809 | CHIP CAP. | GRM39B102M50PT | 0.001uF | 50V | B | |
| D 0301 | G2070114 | DIODE | 1T363-01-T08A | | | | |
| D 0302 | G2070086 | DIODE | 1SS301 TE85R | | | | |
| J 0301 | P0090709 | CONNECTOR | 9230B-1-13Z005-T | | | | |
| J 0302 | P0090740 | CONNECTOR | 9230B-1-07Z005-T | | | | |
| L 0301 | L1690017 | COIL | 32CS 380LB-2R2M=P | 2.2uH | | | |
| L 0302 | L1690074 | CHIP COIL | LQH3NR82M92M00- | 0.82uH | | | |
| L 0303 | L1690005 | CHIP COIL | LQN2A33NM | 0.033uH | | | |
| L 0304 | L1690005 | CHIP COIL | LQN2A33NM | 0.033uH | | | |
| Q 0301 | G4801367 | FET | 3SK136 IV TR | | | | |
| Q 0302 | G3316237F | TRANSISTOR | 2SC1623-T2BL6 | | | | |
| Q 0303 | G4070001 | FET | SGM2006M-T8 | | | | |
| R 0301 | J24185472 | CHIP RES. | RMC1/1 472JATP | 4.7K | 1/16W | | |
| R 0302 | J24185332 | CHIP RES. | RMC1/1 332JATP | 3.3K | 1/16W | | |
| R 0303 | J24185104 | CHIP RES. | RMC1/1 104JATP | 100K | 1/16W | | |
| R 0304 | J24185181 | CHIP RES. | RMC1/1 181JATP | 180 | 1/16W | | |
| R 0305 | J24185101 | CHIP RES. | RMC1/1 101JATP | 100 | 1/16W | | |
| R 0306 | J24185224 | CHIP RES. | RMC1/1 224JATP | 220K | 1/16W | | |
| R 0307 | J24185222 | CHIP RES. | RMC1/1 222JATP | 2.2K | 1/16W | | |
| R 0308 | J24185101 | CHIP RES. | RMC1/1 101JATP | 100 | 1/16W | | |
| R 0309 | J24185103 | CHIP RES. | RMC1/1 103JATP | 10K | 1/16W | | |
| R 0310 | J24185221 | CHIP RES. | RMC1/1 221JATP | 220 | 1/16W | | |
| R 0311 | J24185331 | CHIP RES. | RMC1/1 331JATP | 330 | 1/16W | | |
| R 0312 | J24185101 | CHIP RES. | RMC1/1 101JATP | 100 | 1/16W | | |
| T 0301 | L0021913 | CHIP TRANS | CS-5 2276-201 | | | | |

| REF. | YAESU P/N | DESCRIPTION | MFGR'S DESIG | VALUE | WV | TOL. | VERS. |
|--------|-----------|--------------|--------------|-----------|----|------|-------|
| TC0301 | K91000184 | TRIMMER CAP. | TZ03T200YR | 20pF | | | |
| X 0301 | H0102912 | XTAL | | 12.800MHZ | | | |
| XF0301 | H1102186 | XTAL | 17T15BU | | | | |
| XF0303 | H1102187 | XTAL | 22T15BU | | | | |
| | R3129530 | XTAL (5pcs) | | | | | |

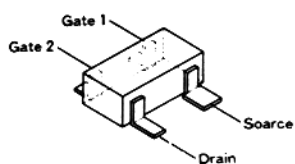
MIXER UNIT (No.03XX)



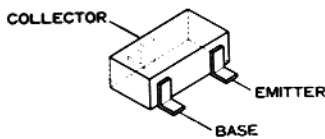
(obverse view of "component" side)



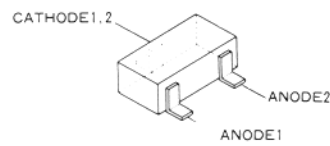
(obverse view of "chip-only" side)



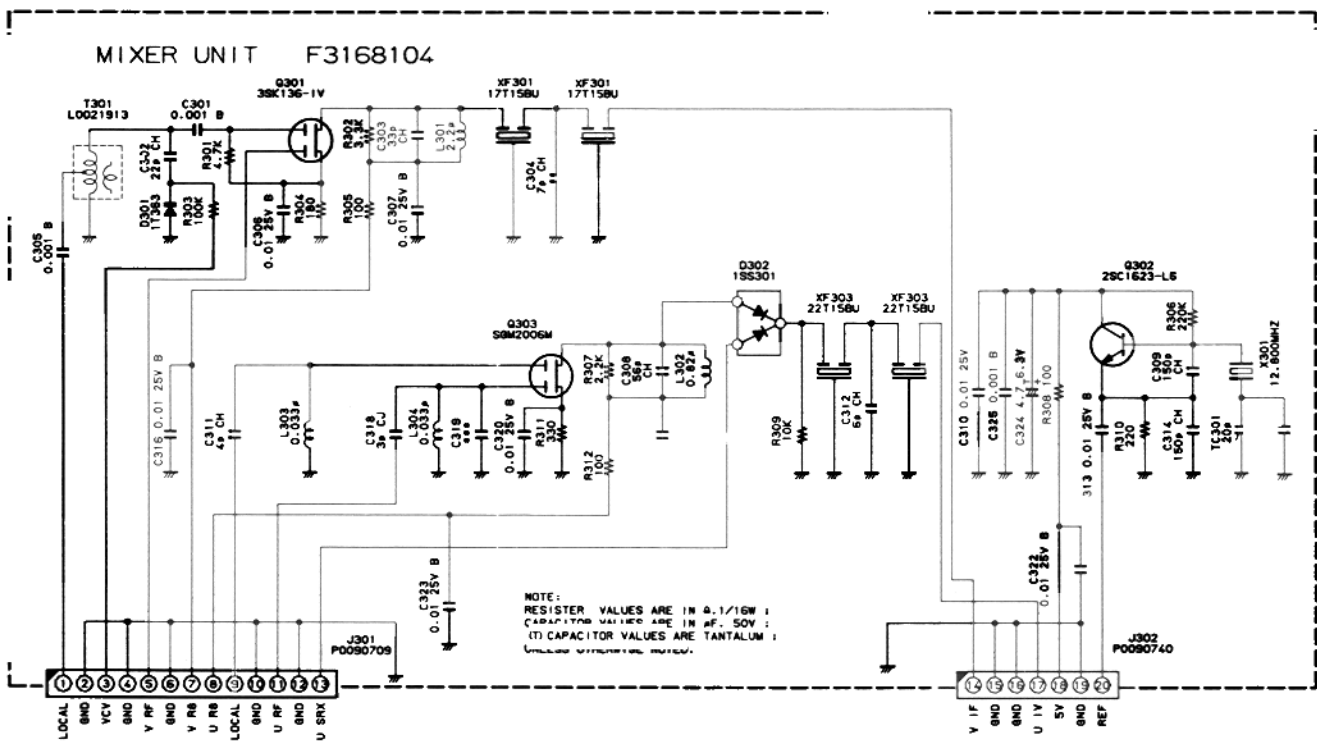
SGM2006M(M-254)
(Q0303)
3SK136(IV-)
(Q0301)



2SC1623(L6)
(Q0302)



1SS301(B3)
(D0302)

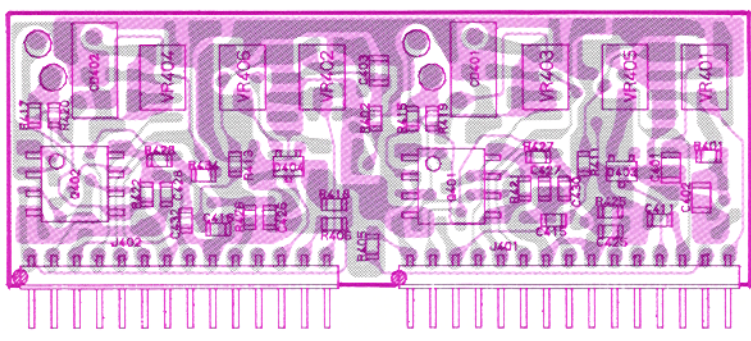


(MIXER UNIT Schematic Diagram)

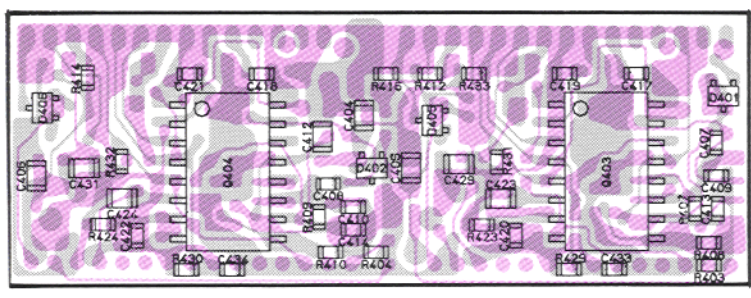
| REF. | YAESU P/N | DESCRIPTION | MFR'S DESIG | VALUE | WV | TOL. | VERS. |
|--------|-----------|------------------|------------------|---------|-------|------|-------|
| | CA0410001 | P. C. B. W COMP. | | | | | |
| | F3168103 | P. C. B. | | | | | |
| C 0401 | K22140811 | CHIP CAP. | GRM40B104M25PT | 0.1uF | 25V | B | |
| C 0402 | K22140811 | CHIP CAP. | GRM40B104M25PT | 0.1uF | 25V | B | |
| C 0403 | K22140811 | CHIP CAP. | GRM40B104M25PT | 0.1uF | 25V | B | |
| C 0404 | K22140811 | CHIP CAP. | GRM40B104M25PT | 0.1uF | 25V | B | |
| C 0405 | K22140811 | CHIP CAP. | GRM40B104M25PT | 0.1uF | 25V | B | |
| C 0406 | K22140811 | CHIP CAP. | GRM40B104M25PT | 0.1uF | 25V | B | |
| C 0407 | K22140811 | CHIP CAP. | GRM40B104M25PT | 0.1uF | 25V | B | |
| C 0408 | K22140811 | CHIP CAP. | GRM40B104M25PT | 0.1uF | 25V | B | |
| C 0409 | K22174805 | CHIP CAP. | GRM39B471M50PT | 470pF | 50V | B | |
| C 0410 | K22174805 | CHIP CAP. | GRM39B471M50PT | 470pF | 50V | B | |
| C 0411 | K22170821 | CHIP CAP. | GRM40B223M50PT | 0.022uF | 50V | B | |
| C 0412 | K22140811 | CHIP CAP. | GRM40B104M25PT | 0.1uF | 25V | B | |
| C 0413 | K22174805 | CHIP CAP. | GRM39B471M50PT | 470pF | 50V | B | |
| C 0414 | K22174805 | CHIP CAP. | GRM39B471M50PT | 470pF | 50V | B | |
| C 0415 | K22144802 | CHIP CAP. | GRM39B103M25PT | 0.01uF | 25V | B | |
| C 0416 | K22144802 | CHIP CAP. | GRM39B103M25PT | 0.01uF | 25V | B | |
| C 0417 | K22144802 | CHIP CAP. | GRM39B103M25PT | 0.01uF | 25V | B | |
| C 0418 | K22144802 | CHIP CAP. | GRM39B103M25PT | 0.01uF | 25V | B | |
| C 0419 | K22174231 | CHIP CAP. | GRM39CH680J50PT | 68pF | 50V | CH | |
| C 0420 | K22174235 | CHIP CAP. | GRM39CH101J50PT | 100pF | 50V | CH | |
| C 0421 | K22174229 | CHIP CAP. | GRM39CH560J50PT | 56pF | 50V | CH | |
| C 0422 | K22174235 | CHIP CAP. | GRM39CH101J50PT | 100pF | 50V | CH | |
| C 0423 | K22140811 | CHIP CAP. | GRM40B104M25PT | 0.1uF | 25V | B | |
| C 0424 | K22140811 | CHIP CAP. | GRM40B104M25PT | 0.1uF | 25V | B | |
| C 0425 | K22174235 | CHIP CAP. | GRM39CH101J50PT | 100pF | 50V | CH | |
| C 0426 | K22174235 | CHIP CAP. | GRM39CH101J50PT | 100pF | 50V | CH | |
| C 0427 | K22144802 | CHIP CAP. | GRM39B103M25PT | 0.01uF | 25V | B | |
| C 0428 | K22144802 | CHIP CAP. | GRM39B103M25PT | 0.01uF | 25V | B | |
| C 0429 | K22140811 | CHIP CAP. | GRM40B104M25PT | 0.1uF | 25V | B | |
| C 0430 | K22144802 | CHIP CAP. | GRM39B103M25PT | 0.01uF | 25V | B | |
| C 0431 | K22140811 | CHIP CAP. | GRM40B104M25PT | 0.1uF | 25V | B | |
| C 0432 | K22144802 | CHIP CAP. | GRM39B103M25PT | 0.01uF | 25V | B | |
| C 0433 | K22144802 | CHIP CAP. | GRM39B103M25PT | 0.01uF | 25V | B | |
| C 0434 | K22144802 | CHIP CAP. | GRM39B103M25PT | 0.01uF | 25V | B | |
| CD0401 | H7900480 | CERAMIC DISC | CDBM455C7 | | | | |
| CD0402 | H7900480 | CERAMIC DISC | CDBM455C7 | | | | |
| D 0401 | G2070088 | DIODE | 1SS302 TE85R | | | | |
| D 0402 | G2070088 | DIODE | 1SS302 TE85R | | | | |
| D 0405 | G2070084 | DIODE | 1SS300 TE85R | | | | |
| D 0406 | G2070084 | DIODE | 1SS300 TE85R | | | | |
| J 0401 | P0090711 | CONNECTOR | 9230B-1-15Z005-T | | | | |
| J 0402 | P0090710 | CONNECTOR | 9230B-1-14Z005-T | | | | |
| Q 0401 | G1090990 | IC | M5223FP-72A | | | | |
| Q 0402 | G1090990 | IC | M5223FP-72A | | | | |
| Q 0403 | G1091108 | IC | MC3372ML | | | | |
| Q 0404 | G1091108 | IC | MC3372ML | | | | |
| R 0401 | J24185000 | CHIP RES. | RMC1/16 000JATP | 0 | 1/16W | | |
| R 0402 | J24185000 | CHIP RES. | RMC1/16 000JATP | 0 | 1/16W | | |

| REF. | YAESU P/N | DESCRIPTION | MFGR'S DESIG | VALUE | WV | TOL. | VERS. |
|--------|-----------|-------------|-----------------|-------|-------|------|-------|
| R 0403 | J24185122 | CHIP RES. | RMC1/16 122JATP | 1.2K | 1/16W | | |
| R 0404 | J24185122 | CHIP RES. | RMC1/16 122JATP | 1.2K | 1/16W | | |
| R 0407 | J24185474 | CHIP RES. | RMC1/16 474JATP | 470K | 1/16W | | |
| R 0408 | J24185123 | CHIP RES. | RMC1/16 123JATP | 12K | 1/16W | | |
| R 0409 | J24185474 | CHIP RES. | RMC1/16 474JATP | 470K | 1/16W | | |
| R 0410 | J24185123 | CHIP RES. | RMC1/16 123JATP | 12K | 1/16W | | |
| R 0411 | J24185332 | CHIP RES. | RMC1/16 332JATP | 3.3K | 1/16W | | |
| R 0412 | J24185473 | CHIP RES. | RMC1/16 473JATP | 47K | 1/16W | | |
| R 0413 | J24185332 | CHIP RES. | RMC1/16 332JATP | 3.3K | 1/16W | | |
| R 0414 | J24185473 | CHIP RES. | RMC1/16 473JATP | 47K | 1/16W | | |
| R 0415 | J24185122 | CHIP RES. | RMC1/16 122JATP | 1.2K | 1/16W | | |
| R 0417 | J24185122 | CHIP RES. | RMC1/16 122JATP | 1.2K | 1/16W | | |
| R 0419 | J24185122 | CHIP RES. | RMC1/16 122JATP | 1.2K | 1/16W | | |
| R 0420 | J24185122 | CHIP RES. | RMC1/16 122JATP | 1.2K | 1/16W | | |
| R 0421 | J24185103 | CHIP RES. | RMC1/16 103JATP | 10K | 1/16W | | |
| R 0422 | J24185103 | CHIP RES. | RMC1/16 103JATP | 10K | 1/16W | | |
| R 0423 | J24185473 | CHIP RES. | RMC1/16 473JATP | 47K | 1/16W | | |
| R 0424 | J24185473 | CHIP RES. | RMC1/16 473JATP | 47K | 1/16W | | |
| R 0425 | J24185473 | CHIP RES. | RMC1/16 473JATP | 47K | 1/16W | | |
| R 0426 | J24185473 | CHIP RES. | RMC1/16 473JATP | 47K | 1/16W | | |
| R 0427 | J24185471 | CHIP RES. | RMC1/16 471JATP | 470 | 1/16W | | |
| R 0428 | J24185471 | CHIP RES. | RMC1/16 471JATP | 470 | 1/16W | | |
| R 0429 | J24185182 | CHIP RES. | RMC1/16 182JATP | 1.8K | 1/16W | | |
| R 0430 | J24185182 | CHIP RES. | RMC1/16 182JATP | 1.8K | 1/16W | | |
| R 0431 | J24185182 | CHIP RES. | RMC1/16 182JATP | 1.8K | 1/16W | | |
| R 0432 | J24185182 | CHIP RES. | RMC1/16 182JATP | 1.8K | 1/16W | | |
| R 0433 | J24185101 | CHIP RES. | RMC1/16 101JATP | 100 | 1/16W | | |
| R 0434 | J24185101 | CHIP RES. | RMC1/16 101JATP | 100 | 1/16W | | |
| R 0435 | J24185000 | CHIP RES. | RMC1/16 000JATP | 0 | 1/16W | | |
| R 0436 | J24185000 | CHIP RES. | RMC1/16 000JATP | 0 | 1/16W | | |
| TP0401 | Q5000016 | TP-E | TP-E/MS-60124 | | | | |
| TP0402 | Q5000016 | TP-E | TP-E/MS-60124 | | | | |
| TP0403 | Q5000016 | TP-E | TP-E/MS-60124 | | | | |
| TP0404 | Q5000016 | TP-E | TP-E/MS-60124 | | | | |
| VR0401 | J50785473 | POT. | RH03AVAS4X01A | 47K | | | |
| VR0402 | J50785473 | POT. | RH03AVAS4X01A | 47K | | | |
| VR0403 | J50785103 | POT. | RH03AVA14X01A | 10K | | | |
| VR0404 | J50785103 | POT. | RH03AVA14X01A | 10K | | | |
| VR0405 | J50785104 | POT. | RH03AVA15X01A | 100K | | | |
| VR0406 | J50785104 | POT. | RH03AVA15X01A | 100K | | | |

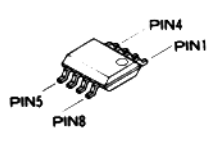
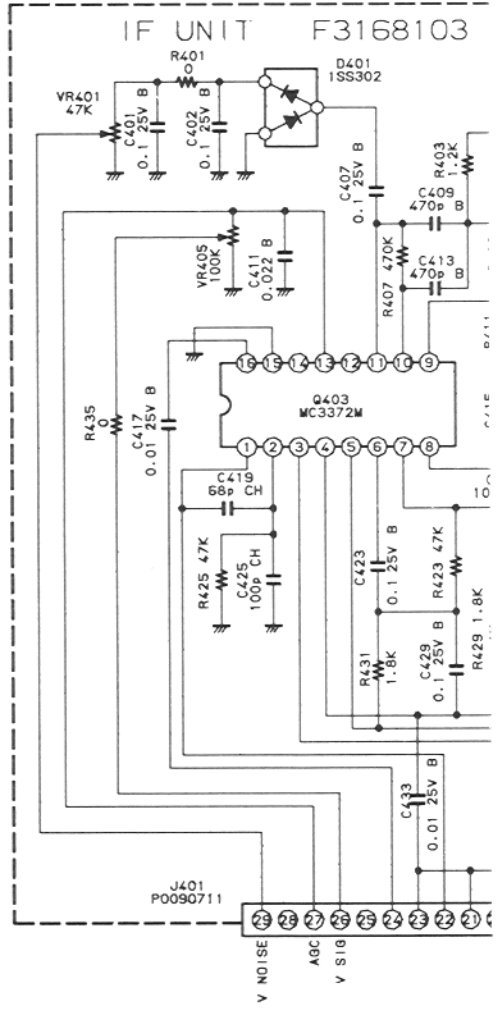
IF UNIT (No.04XX)



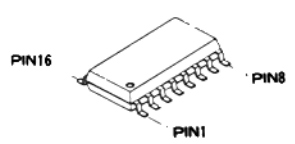
(obverse view of "component" side)



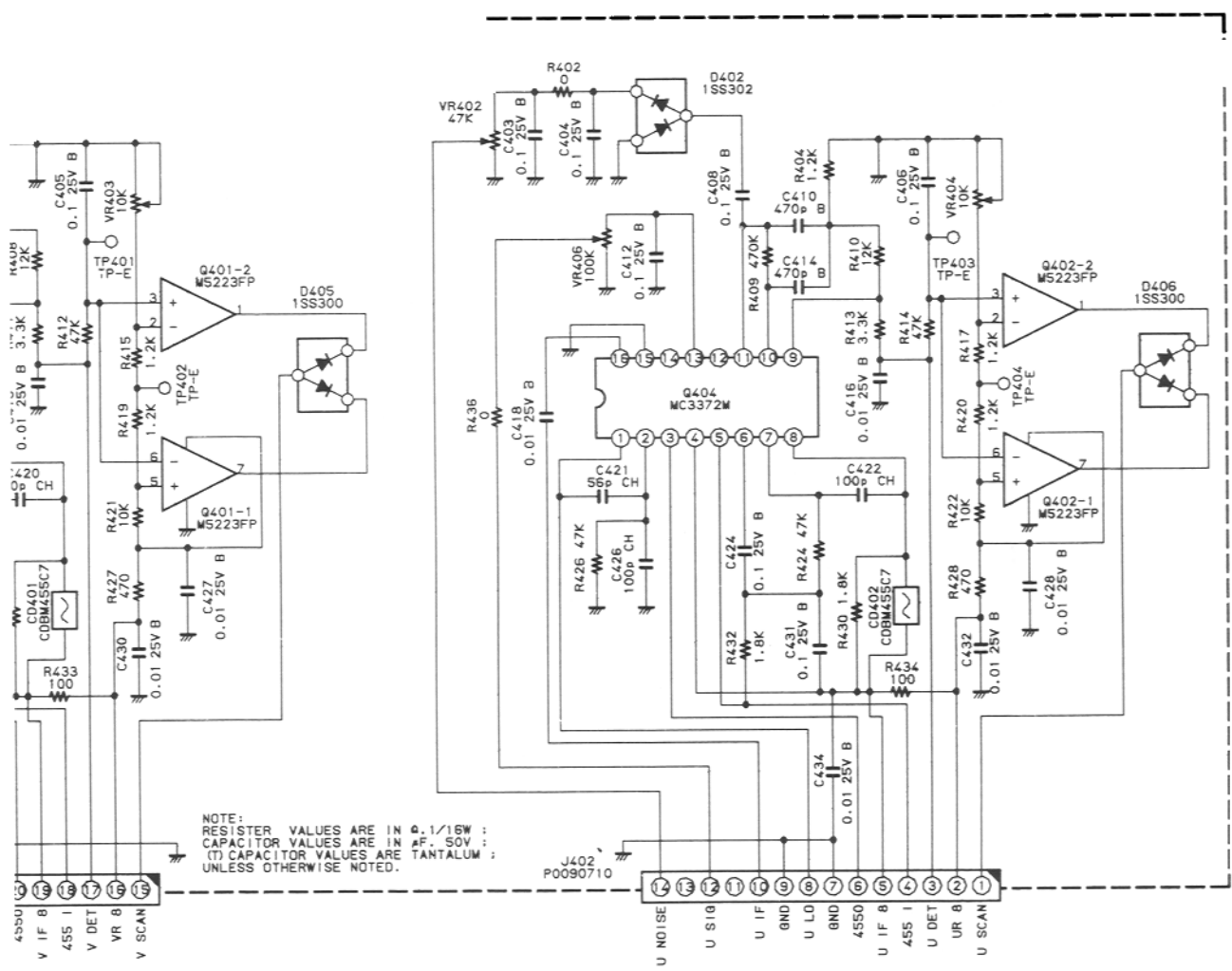
(obverse view of "chip-only" side)



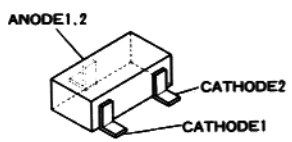
M5223FP
(Q0401, Q0402)



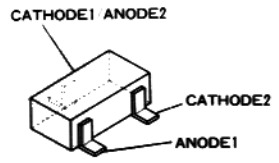
MC3372ML
(Q0403, Q0404)



(IF UNIT Schematic Diagram)



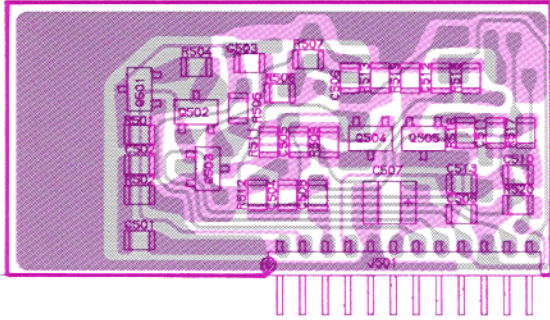
ISS300(A3)
(D0405, D0406)



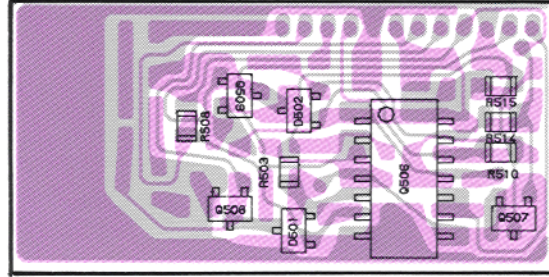
ISS302(C3)
(D0401, D0402)

| REF. | YAESU P/N | DESCRIPTION | MFRG'S DESIG | VALUE | WV | TOL. | VERS. |
|--------|-----------|--------------------|------------------|----------|-------|------|-------|
| | CA0424001 | P. C. B. W COMP. | | | | | |
| | F3168101 | P. C. B. | | | | | |
| C 0501 | K22170813 | CHIP CAP. | GRM40B472M50PT | 0.0047uF | 50V | B | |
| C 0502 | K22170813 | CHIP CAP. | GRM40B472M50PT | 0.0047uF | 50V | B | |
| C 0503 | K22140811 | CHIP CAP. | GRM40B104M25PT | 0.1uF | 25V | B | |
| C 0504 | K22170821 | CHIP CAP. | GRM40B223M50PT | 0.022uF | 50V | B | |
| C 0505 | K22170821 | CHIP CAP. | GRM40B223M50PT | 0.022uF | 50V | B | |
| C 0506 | K22140811 | CHIP CAP. | GRM40B104M25PT | 0.1uF | 25V | B | |
| C 0507 | K78080019 | TANTALUM CHIP CAP. | TEMSVB20J106M-8R | 10uF | 6.3V | | |
| C 0508 | K22170821 | CHIP CAP. | GRM40B223M50PT | 0.022uF | 50V | B | |
| C 0509 | K22170805 | CHIP CAP. | GRM40B102M50PT | 0.001uF | 50V | B | |
| C 0510 | K22170821 | CHIP CAP. | GRM40B223M50PT | 0.022uF | 50V | B | |
| C 0511 | K22170821 | CHIP CAP. | GRM40B223M50PT | 0.022uF | 50V | B | |
| C 0512 | K22140811 | CHIP CAP. | GRM40B104M25PT | 0.1uF | 25V | B | |
| C 0513 | K22170821 | CHIP CAP. | GRM40B223M50PT | 0.022uF | 50V | B | |
| D 0501 | G2070009 | DIODE | 1SS184 TE85R | | | | |
| D 0502 | G2070009 | DIODE | 1SS184 TE85R | | | | |
| J 0501 | P0090733 | CONNECTOR | 9230B-1-12Z005-T | | | | |
| Q 0501 | G3316237F | TRANSISTOR | 2SC1 23-T2BL6 | | | | |
| Q 0502 | G3070034 | TRANSISTOR | DTC1 4EK T97 | | | | |
| Q 0503 | G3070034 | TRANSISTOR | DTC1 4EK T97 | | | | |
| Q 0504 | G3316237F | TRANSISTOR | 2SC1 23-T2BL6 | | | | |
| Q 0505 | G3316237F | TRANSISTOR | 2SC1 23-T2BL6 | | | | |
| Q 0506 | G1091035 | IC | UPD4 66BG-T2 | | | | |
| Q 0507 | G3070034 | TRANSISTOR | DTC1 4EK T97 | | | | |
| Q 0508 | G3070034 | TRANSISTOR | DTC1 4EK T97 | | | | |
| Q 0509 | G3070034 | TRANSISTOR | DTC1 4EK T97 | | | | |
| R 0501 | J24205564 | CHIP RES. | RMC1/10T 564J | 560K | 1/10W | | |
| R 0502 | J24205393 | CHIP RES. | RMC1/10T 393J | 39K | 1/10W | | |
| R 0503 | J24205104 | CHIP RES. | RMC1/10T 104J | 100K | 1/10W | | |
| R 0504 | J24205221 | CHIP RES. | RMC1/10T 221J | 220 | 1/10W | | |
| R 0505 | J24205223 | CHIP RES. | RMC1/10T 223J | 22K | 1/10W | | |
| R 0506 | J24205472 | CHIP RES. | RMC1/10T 472J | 4.7K | 1/10W | | |
| R 0507 | J24205472 | CHIP RES. | RMC1/10T 472J | 4.7K | 1/10W | | |
| R 0508 | J24205104 | CHIP RES. | RMC1/10T 104J | 100K | 1/10W | | |
| R 0509 | J24205564 | CHIP RES. | RMC1/10T 564J | 560K | 1/10W | | |
| R 0510 | J24205104 | CHIP RES. | RMC1/10T 104J | 100K | 1/10W | | |
| R 0511 | J24205222 | CHIP RES. | RMC1/10T 222J | 2.2K | 1/10W | | |
| R 0512 | J24205153 | CHIP RES. | RMC1/10T 153J | 15K | 1/10W | | |
| R 0513 | J24205222 | CHIP RES. | RMC1/10T 222J | 2.2K | 1/10W | | |
| R 0514 | J24205104 | CHIP RES. | RMC1/10T 104J | 100K | 1/10W | | |
| R 0515 | J24205472 | CHIP RES. | RMC1/10T 472J | 4.7K | 1/10W | | |
| R 0516 | J24205564 | CHIP RES. | RMC1/10T 564J | 560K | 1/10W | | |
| R 0517 | J24205222 | CHIP RES. | RMC1/10T 222J | 2.2K | 1/10W | | |
| R 0518 | J24205472 | CHIP RES. | RMC1/10T 472J | 4.7K | 1/10W | | |
| R 0519 | J24205222 | CHIP RES. | RMC1/10T 222J | 2.2K | 1/10W | | |
| R 0520 | J24205153 | CHIP RES. | RMC1/10T 153J | 15K | 1/10W | | |

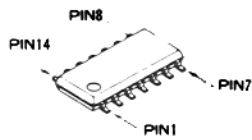
AF UNIT (No.05XX)



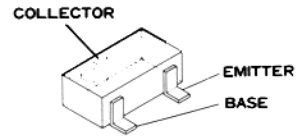
(obverse view of "component" side)



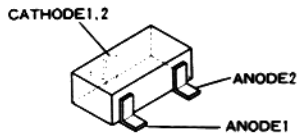
(obverse view of "chip-only" side)



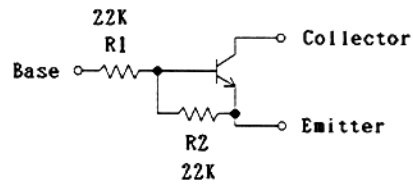
μ PD4066BG
(Q0506)



2SC1623(L6)
(Q0501, Q0504, Q0505)
DTC124EK(25)
(Q0502, Q0503, Q0507, Q0508, Q0509)

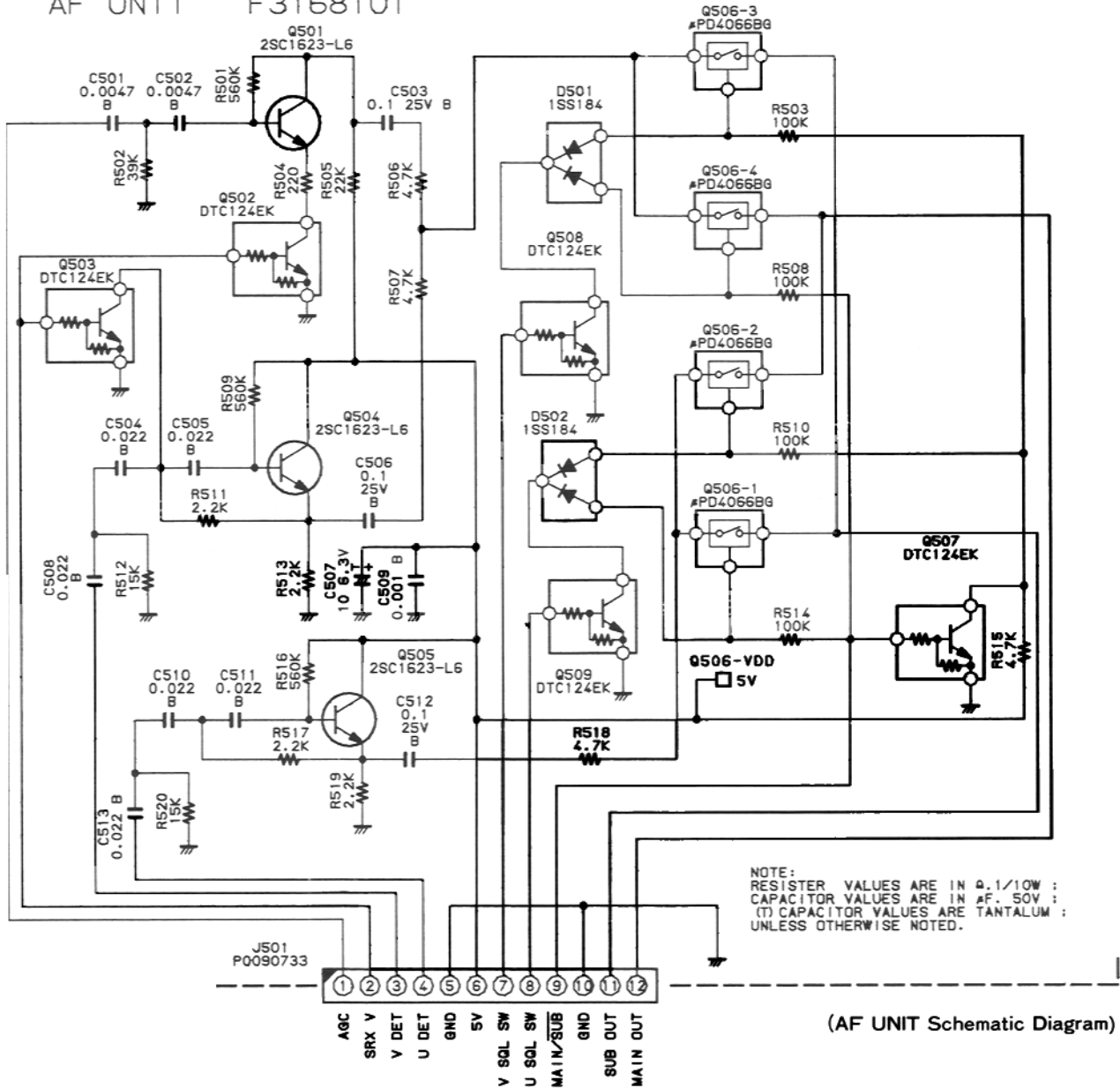


1SS184(B3)
(D0501, D0502)



DTC124EK CIRCUIT DIAGRAM

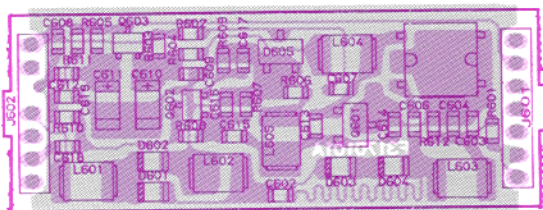
AF UNIT F3168101



(AF UNIT Schematic Diagram)

| REF. | YAESU P/N | DESCRIPTION | MFGR'S DESIG | VALUE | WV | TOL. | VERS. |
|--------|-----------|--------------------|-------------------|---------|-------|------|-------|
| | CA0242001 | P. C. B. W COMP. | | | | | |
| | F3170101A | P. C. B. | | | | | |
| C 0602 | K22174820 | CHIP CAP. | GRM39B331K50PT | 330pF | 50V | B | |
| C 0603 | K22174809 | CHIP CAP. | GRM39B102M50PT | 0.001uF | 50V | B | |
| C 0604 | K22174809 | CHIP CAP. | GRM39B102M50PT | 0.001uF | 50V | B | |
| C 0606 | K22174235 | CHIP CAP. | GRM39CH101J50PT | 100pF | 50V | CH | |
| C 0607 | K22174202 | CHIP CAP. | GRM39CK010C50PT | 1pF | 50V | CK | |
| C 0608 | K22174809 | CHIP CAP. | GRM39B102M50PT | 0.001uF | 50V | B | |
| C 0609 | K22174809 | CHIP CAP. | GRM39B102M50PT | 0.001uF | 50V | B | |
| C 0610 | K78100015 | TANTALUM CHIP CAP. | TEMSVA1A335M-8R | 3.3uF | 10V | | |
| C 0611 | K78100015 | TANTALUM CHIP CAP. | TEMSVA1A335M-8R | 3.3uF | 10V | | |
| C 0612 | K22174809 | CHIP CAP. | GRM39B102M50PT | 0.001uF | 50V | B | |
| C 0613 | K22174207 | CHIP CAP. | GRM39CH060D50PT | 6pF | 50V | CH | |
| C 0614 | K22174202 | CHIP CAP. | GRM39CK010C50PT | 1pF | 50V | CK | |
| C 0615 | K22174202 | CHIP CAP. | GRM39CK010C50PT | 1pF | 50V | CK | |
| C 0616 | K22174204 | CHIP CAP. | GRM39CJ030C50PT | 3pF | 50V | CJ | |
| C 0617 | K22174809 | CHIP CAP. | GRM39B102M50PT | 0.001uF | 50V | B | |
| C 0618 | K22174809 | CHIP CAP. | GRM39B102M50PT | 0.001uF | 50V | B | |
| C 0619 | K22174809 | CHIP CAP. | GRM39B102M50PT | 0.001uF | 50V | B | |
| D 0601 | G2070114 | DIODE | 1T363-01-T08A | | | | |
| D 0602 | G2070114 | DIODE | 1T363-01-T08A | | | | |
| D 0603 | G2070118 | DIODE | HSU277 (7-7') | | | | |
| D 0604 | G2070118 | DIODE | HSU277 (7-7') | | | | |
| D 0605 | G2070032 | DIODE | 1SS153-T2B | | | | |
| J 0601 | P0090788 | CONNECTOR | 9230B-1-07Z021-T | | | | |
| J 0602 | P0090807 | CONNECTOR | 9230B-1-06Z023-T | | | | |
| L 0601 | L1690016 | COIL | 32CS 380LB-1ROM=P | 1uH | | | |
| L 0602 | L1690016 | COIL | 32CS 380LB-1ROM=P | 1uH | | | |
| L 0603 | L1690016 | COIL | 32CS 380LB-1ROM=P | 1uH | | | |
| L 0604 | L1690016 | COIL | 32CS 380LB-1ROM=P | 1uH | | | |
| L 0605 | L1690016 | COIL | 32CS 380LB-1ROM=P | 1uH | | | |
| Q 0601 | G3815777 | FET | 2SK157 | | | | |
| Q 0602 | G3342267B | TRANSISTOR | 2SC422 12B R22 | | | | |
| Q 0603 | G3341167G | TRANSISTOR | 2SC411 1 TE85R | | | | |
| R 0601 | J24185471 | CHIP RES. | RMC1/16 471JATP | 470 | 1/16W | | |
| R 0602 | J24185103 | CHIP RES. | RMC1/16 103JATP | 10K | 1/16W | | |
| R 0603 | J24185104 | CHIP RES. | RMC1/16 104JATP | 100K | 1/16W | | |
| R 0604 | J24185100 | CHIP RES. | RMC1/16 100JATP | 10 | 1/16W | | |
| R 0605 | J24185222 | CHIP RES. | RMC1/16 222JATP | 2.2K | 1/16W | | |
| R 0606 | J24185560 | CHIP RES. | RMC1/16 560JATP | 56 | 1/16W | | |
| R 0607 | J24185222 | CHIP RES. | RMC1/16 222JATP | 2.2K | 1/16W | | |
| R 0608 | J24185103 | CHIP RES. | RMC1/16 103JATP | 10K | 1/16W | | |
| R 0609 | J24185470 | CHIP RES. | RMC1/16 470JATP | 47 | 1/16W | | |
| R 0610 | J24185101 | CHIP RES. | RMC1/16 101JATP | 100 | 1/16W | | |
| R 0611 | J24185150 | CHIP RES. | RMC1/16 150JATP | 15 | 1/16W | | |
| R 0612 | J24185102 | CHIP RES. | RMC1/16 102JATP | 1K | 1/16W | | |
| T 0601 | L0022098 | COIL | EIV-4EN009EN | | | | |

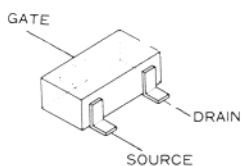
430-VCO UNIT (No.06XX)



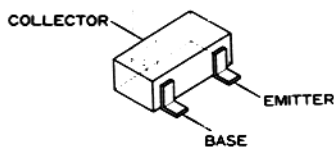
(obverse view of "component" side)



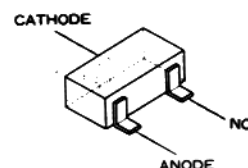
(obverse view of "solder" side)



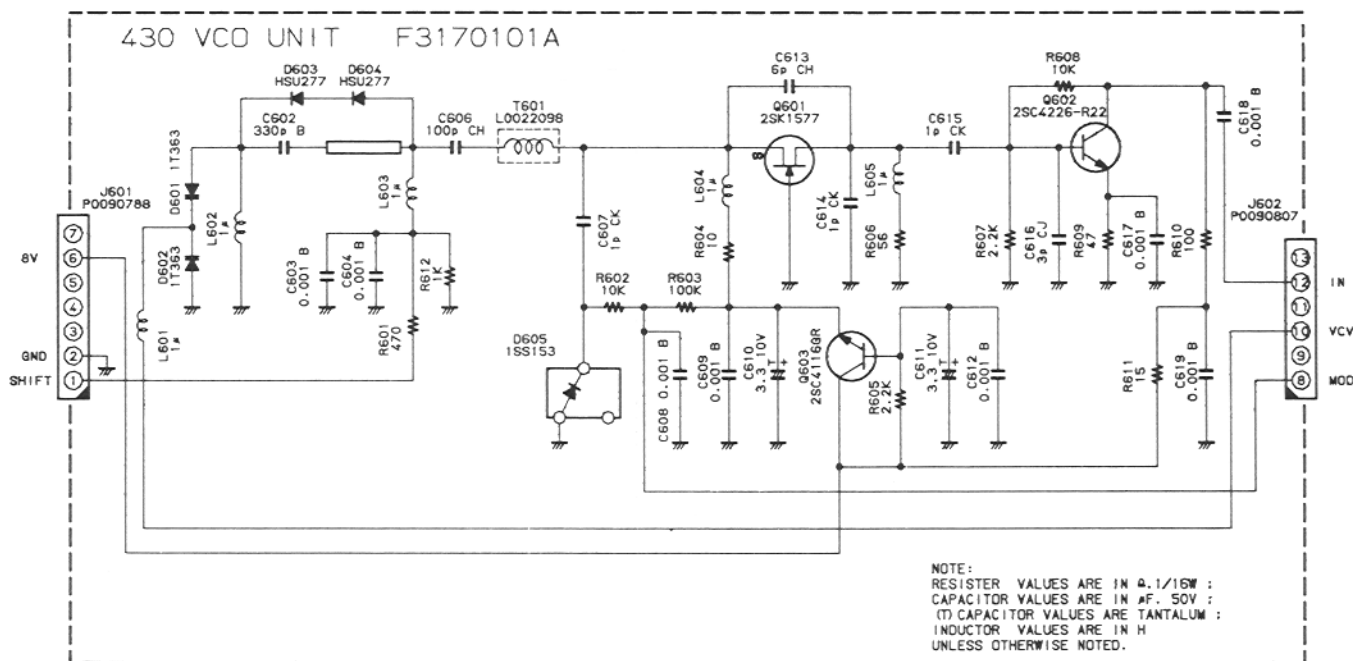
2SK1577(P1)
(Q0601)



2SC4116GR(LG)
(Q0603)
2SC4226(R22)
(Q0602)



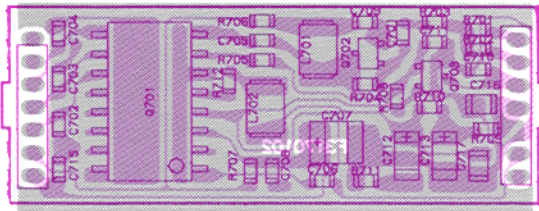
ISS153(A9)
(D0605)



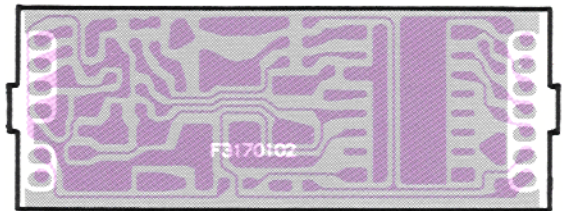
(430-VCO UNIT Schematic Diagram)

| REF. | YAESU P/N | DESCRIPTION | MFGR'S DESIG | VALUE | WV | TOL. | VERS. |
|--------|-----------|--------------------|-------------------|---------|-------|------|-------|
| | CA0243001 | P. C. B. W. COMP. | | | | | |
| | F3170102 | P. C. B. | | | | | |
| C 0701 | K22174206 | CHIP CAP. | GRM39CH050C50PT | 5pF | 50V | CH | |
| C 0702 | K22174235 | CHIP CAP. | GRM39CH101J50PT | 100pF | 50V | CH | |
| C 0703 | K22174235 | CHIP CAP. | GRM39CH101J50PT | 100pF | 50V | CH | |
| C 0704 | K22174235 | CHIP CAP. | GRM39CH101J50PT | 100pF | 50V | CH | |
| C 0705 | K22174204 | CHIP CAP. | GRM39CJ030C50PT | 3pF | 50V | CJ | |
| C 0706 | K22144802 | CHIP CAP. | GRM39B103M25PT | 0.01uF | 25V | B | |
| C 0707 | K78100010 | TANTALUM CHIP CAP. | TESVB21A475M8R | 4.7uF | 10V | | |
| C 0708 | K22174809 | CHIP CAP. | GRM39B102M50PT | 0.001uF | 50V | B | |
| C 0709 | K22174809 | CHIP CAP. | GRM39B102M50PT | 0.001uF | 50V | B | |
| C 0710 | K22174809 | CHIP CAP. | GRM39B102M50PT | 0.001uF | 50V | B | |
| C 0711 | K22144802 | CHIP CAP. | GRM39B103M25PT | 0.01uF | 25V | B | |
| C 0712 | K70107475 | TANTALUM CAP. | DN1A4R7M1S | 4.7uF | 10V | | |
| C 0715 | K22174809 | CHIP CAP. | GRM39B102M50PT | 0.001uF | 50V | B | |
| C 0716 | K22140811 | CHIP CAP. | GRM40B104M25PT | 0.1uF | 25V | B | |
| C 0717 | K22140811 | CHIP CAP. | GRM40B104M25PT | 0.1uF | 25V | B | |
| L 0701 | L1690029 | COIL | 32CS 380NB-33NM=P | 0.033uH | | | |
| L 0702 | L1690055 | COIL | 32CS 380HB-221K=P | 220uH | | | |
| Q 0701 | G1091123 | IC | MB1504PF-G-BND-TF | | | | |
| Q 0702 | G3342157Y | TRANSISTOR | 2SC4215Y TE85R | | | | |
| Q 0703 | G3115867Y | TRANSISTOR | 2SA1586Y TE85R | | | | |
| R 0701 | J24185150 | CHIP RES. | RMC1/16 150JATP | 15 | 1/16W | | |
| R 0702 | J24185150 | CHIP RES. | RMC1/16 150JATP | 15 | 1/16W | | |
| R 0703 | J24185150 | CHIP RES. | RMC1/16 150JATP | 15 | 1/16W | | |
| R 0704 | J24185683 | CHIP RES. | RMC1/16 683JATP | 68K | 1/16W | | |
| R 0705 | J24185333 | CHIP RES. | RMC1/16 333JATP | 33K | 1/16W | | |
| R 0706 | J24185471 | CHIP RES. | RMC1/16 471JATP | 470 | 1/16W | | |
| R 0707 | J24185471 | CHIP RES. | RMC1/16 471JATP | 470 | 1/16W | | |
| R 0708 | J24185104 | CHIP RES. | RMC1/16 104JATP | 100K | 1/16W | | |
| R 0709 | J24185472 | CHIP RES. | RMC1/16 472JATP | 4.7K | 1/16W | | |
| R 0710 | J24185222 | CHIP RES. | RMC1/16 222JATP | 2.2K | 1/16W | | |
| R 0711 | J24185102 | CHIP RES. | RMC1/16 102JATP | 1K | 1/16W | | |
| R 0712 | J24185222 | CHIP RES. | RMC1/16 222JATP | 2.2K | 1/16W | | |

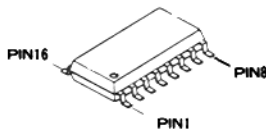
430-PLL UNIT (No.07XX)



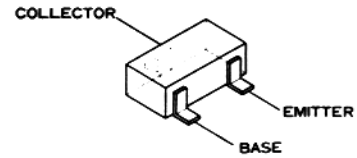
(obverse view of "component" side)



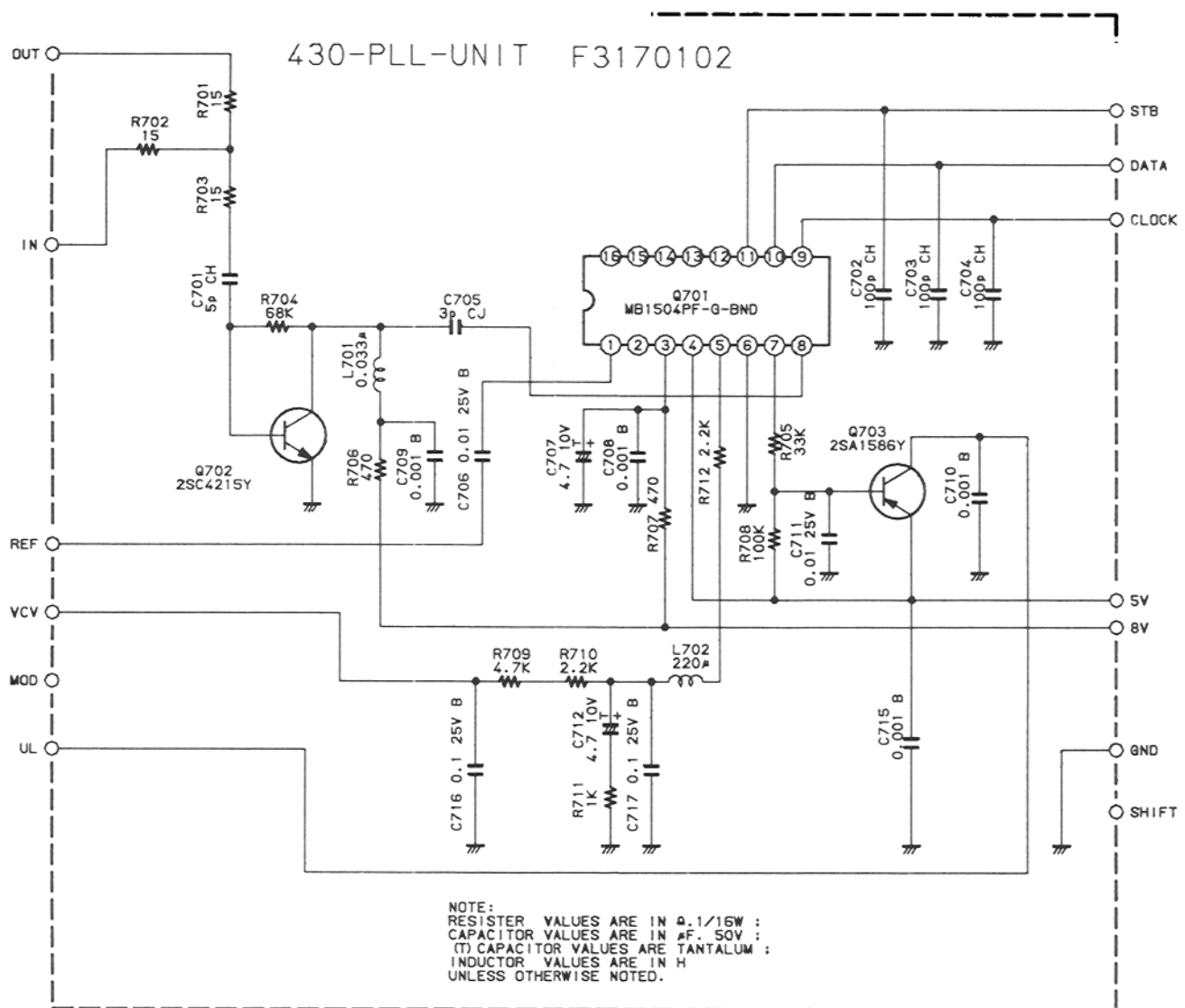
(obverse view of "solder" side)



MB1504PF
(Q0701)



2SA1586Y (SO)
(Q0703)
2SC4215Y (QY)
(Q0702)

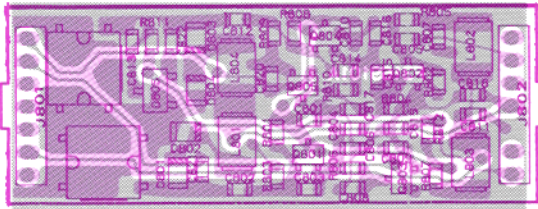


(430-PLL UNIT Schematic Diagram)

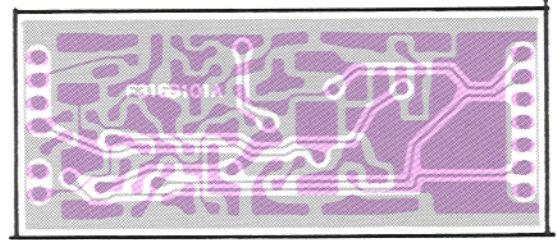
| REF. | YAESU P/N | DESCRIPTION | MFR'S DESIG | VALUE | WV | TOL. | VERS. |
|--------|-----------|------------------|-------------------|---------|-------|------|-------|
| | CA0239001 | P. C. B. W COMP. | | | | | |
| | F3169101A | P. C. B. | | | | | |
| C 0801 | K22174809 | CHIP CAP. | GRM39B102M50PT | 0.001uF | 50V | B | |
| C 0802 | K22174215 | CHIP CAP. | GRM39CH150J50PT | 15pF | 50V | CH | |
| C 0803 | K22174215 | CHIP CAP. | GRM39CH150J50PT | 15pF | 50V | CH | |
| C 0804 | K22174203 | CHIP CAP. | GRM39CK020C50PT | 2pF | 50V | CK | |
| C 0805 | K22174211 | CHIP CAP. | GRM39CH100D50PT | 10pF | 50V | CH | |
| C 0806 | K22174217 | CHIP CAP. | GRM39CH180J50PT | 18pF | 50V | CH | |
| C 0807 | K22174809 | CHIP CAP. | GRM39B102M50PT | 0.001uF | 50V | B | |
| C 0808 | K22174809 | CHIP CAP. | GRM39B102M50PT | 0.001uF | 50V | B | |
| C 0809 | K22174809 | CHIP CAP. | GRM39B102M50PT | 0.001uF | 50V | B | |
| C 0810 | K22174809 | CHIP CAP. | GRM39B102M50PT | 0.001uF | 50V | B | |
| C 0811 | K22174809 | CHIP CAP. | GRM39B102M50PT | 0.001uF | 50V | B | |
| C 0812 | K22174213 | CHIP CAP. | GRM39CH120J50PT | 12pF | 50V | CH | |
| C 0813 | K22174203 | CHIP CAP. | GRM39CK020C50PT | 2pF | 50V | CK | |
| C 0814 | K22174211 | CHIP CAP. | GRM39CH100D50PT | 10pF | 50V | CH | |
| C 0815 | K22174203 | CHIP CAP. | GRM39CK020C50PT | 2pF | 50V | CK | |
| C 0816 | K22174215 | CHIP CAP. | GRM39CH150J50PT | 15pF | 50V | CH | |
| C 0817 | K22174809 | CHIP CAP. | GRM39B102M50PT | 0.001uF | 50V | B | |
| C 0818 | K22144803 | CHIP CAP. | GRM39B103K25PT | 0.01uF | 25V | B | |
| C 0819 | K22174809 | CHIP CAP. | GRM39B102M50PT | 0.001uF | 50V | B | |
| C 0820 | K22174809 | CHIP CAP. | GRM39B102M50PT | 0.001uF | 50V | B | |
| C 0821 | K22174204 | CHIP CAP. | GRM39CJ030C50PT | 3pF | 50V | CJ | |
| C 0822 | K22174205 | CHIP CAP. | GRM39CH040C50PT | 4pF | 50V | CH | |
| D 0801 | G2070114 | DIODE | 1T363-01-T08A | | | | |
| D 0802 | G2070114 | DIODE | 1T363-01-T08A | | | | |
| D 0803 | G2070114 | DIODE | 1T363-01-T08A | | | | |
| D 0804 | G2070114 | DIODE | 1T363-01-T08A | | | | |
| D 0805 | G2070032 | DIODE | 1SS153-T2B | | | | |
| J 0801 | P0090788 | CONNECTOR | 9230B-1-07Z021-T | | | | |
| J 0802 | P0090807 | CONNECTOR | 9230B-1-06Z023-T | | | | |
| L 0801 | L1690039 | COIL | 32CS 380KB-100K=P | 10uH | | | |
| L 0802 | L1690017 | COIL | 32CS 380LB-2R2M=P | 2.2uH | | | |
| L 0803 | L1690035 | COIL | 32CS 380LB-4R7M=P | 4.7uH | | | |
| L 0804 | L1690039 | COIL | 32CS 380KB-100K=P | 10uH | | | |
| Q 0801 | G3342267B | TRANSISTOR | 2SC4226-T2B R22 | | | | |
| Q 0802 | G3342267B | TRANSISTOR | 2SC4226-T2B R22 | | | | |
| Q 0803 | G3070041 | TRANSISTOR | DTC144EU T107 | | | | |
| Q 0804 | G3342267B | TRANSISTOR | 2SC4226-T2B R22 | | | | |
| Q 0805 | G3070041 | TRANSISTOR | DTC144EU T107 | | | | |
| R 0801 | J24185273 | CHIP RES. | RMC1/16 273JATP | 27K | 1/16W | | |
| R 0802 | J24185472 | CHIP RES. | RMC1/16 472JATP | 4.7K | 1/16W | | |
| R 0803 | J24185273 | CHIP RES. | RMC1/16 273JATP | 27K | 1/16W | | |
| R 0804 | J24185222 | CHIP RES. | RMC1/16 222JATP | 2.2K | 1/16W | | |
| R 0805 | J24185471 | CHIP RES. | RMC1/16 471JATP | 470 | 1/16W | | |
| R 0806 | J24185102 | CHIP RES. | RMC1/16 102JATP | 1K | 1/16W | | |
| R 0807 | J24185470 | CHIP RES. | RMC1/16 470JATP | 47 | 1/16W | | |
| R 0808 | J24185273 | CHIP RES. | RMC1/16 273JATP | 27K | 1/16W | | |
| R 0809 | J24185273 | CHIP RES. | RMC1/16 273JATP | 27K | 1/16W | | |
| R 0810 | J24185102 | CHIP RES. | RMC1/16 102JATP | 1K | 1/16W | | |

| REF. | YAESU P/N | DESCRIPTION | MFGR'S DESIG | VALUE | WV | TOL. | VERS. |
|--------|-----------|-------------|-----------------|-------|----|-------|-------|
| R 0811 | J24185152 | CHIP RES. | RMC1/16 152JATP | 1.5K | | 1/16W | |
| R 0812 | J24185104 | CHIP RES. | RMC1/16 104JATP | 100K | | 1/16W | |
| T 0801 | L0022072 | COIL | EIV-4EN007EN | | | | |
| T 0802 | L0022073 | COIL | EIV-4EN008EN | | | | |

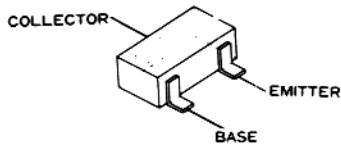
144-VCO UNIT (No.08XX)



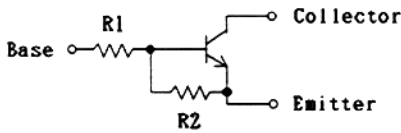
(obverse view of "component" side)



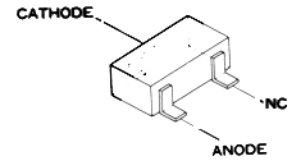
(obverse view of "solder" side)



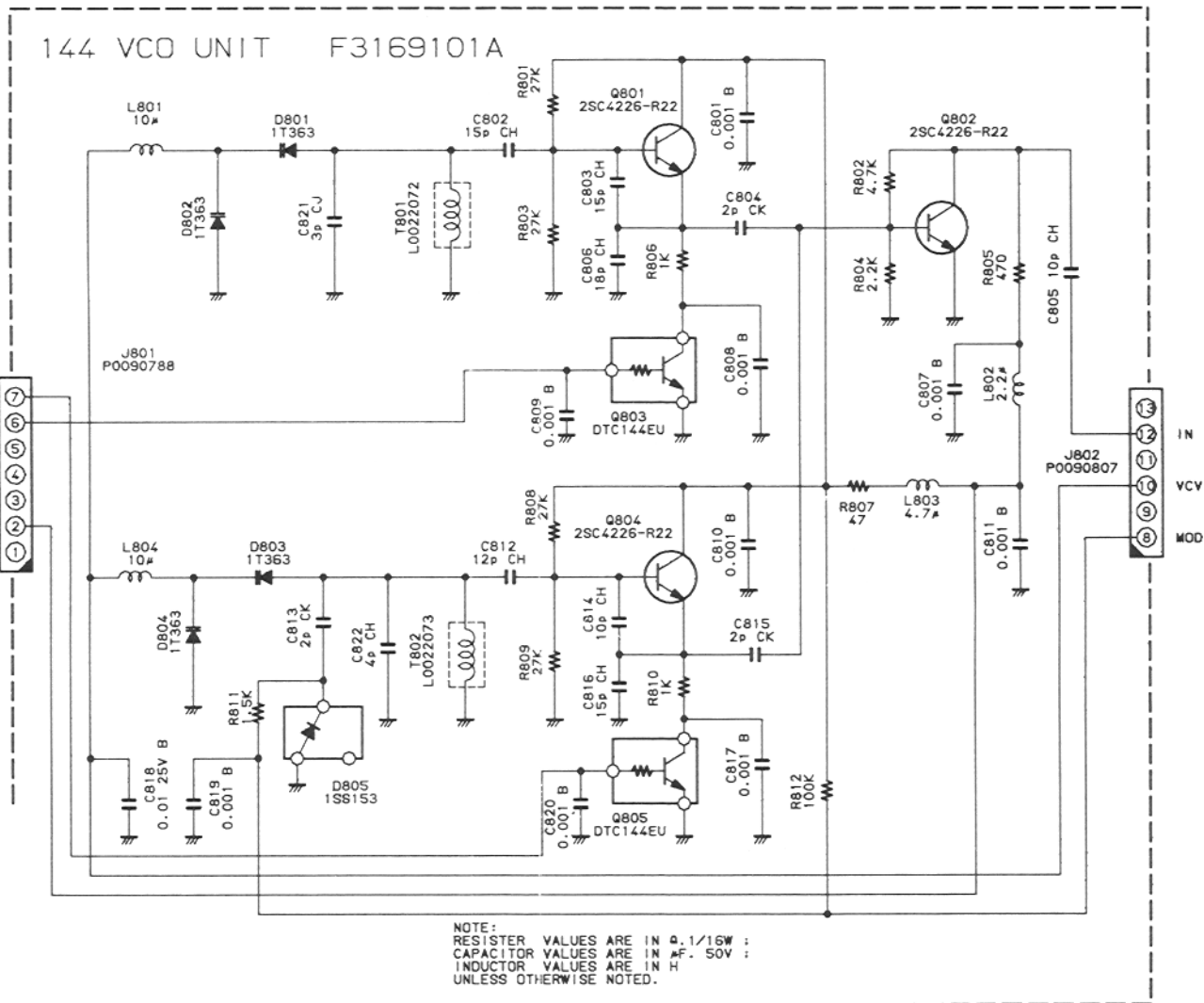
2SC4226(R22)
(Q0801, Q0802, Q0804)
DTC144EU(26)
(Q0803, Q0805)



DTC144EU CIRCUIT DIAGRAM



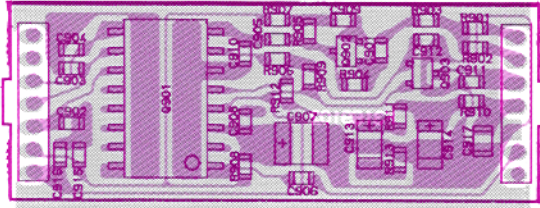
1SS153(A9)
(D0805)



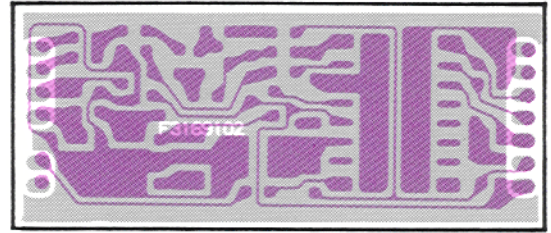
(144-VCO UNIT Schematic Diagram)

| REF. | YAESU P/N | DESCRIPTION | MFGR'S DESIG | VALUE | WV | TOL. | VERS. |
|--------|-----------|--------------------|-------------------|---------|-------|------|-------|
| | CA0241001 | P. C. B. W COMP. | | | | | |
| | F3169102 | P. C. B. | | | | | |
| C 0901 | K22174206 | CHIP CAP. | GRM39CH050C50PT | 5pF | 50V | CH | |
| C 0902 | K22174235 | CHIP CAP. | GRM39CH101J50PT | 100pF | 50V | CH | |
| C 0903 | K22174235 | CHIP CAP. | GRM39CH101J50PT | 100pF | 50V | CH | |
| C 0904 | K22174235 | CHIP CAP. | GRM39CH101J50PT | 100pF | 50V | CH | |
| C 0905 | K22174206 | CHIP CAP. | GRM39CH050C50PT | 5pF | 50V | CH | |
| C 0906 | K22144802 | CHIP CAP. | GRM39B103M25PT | 0.01uF | 25V | B | |
| C 0907 | K78100010 | TANTALUM CHIP CAP. | TESVB21A475M8R | 4.7uF | 10V | | |
| C 0908 | K22174809 | CHIP CAP. | GRM39B102M50PT | 0.001uF | 50V | B | |
| C 0909 | K22174809 | CHIP CAP. | GRM39B102M50PT | 0.001uF | 50V | B | |
| C 0910 | K22174203 | CHIP CAP. | GRM39CK020C50PT | 2pF | 50V | CK | |
| C 0911 | K22174809 | CHIP CAP. | GRM39B102M50PT | 0.001uF | 50V | B | |
| C 0912 | K22144802 | CHIP CAP. | GRM39B103M25PT | 0.01uF | 25V | B | |
| C 0913 | K70107475 | TANTALUM CAP. | DN1A4R7M1S | 4.7uF | 10V | | |
| C 0914 | K22141809 | CHIP CAP. | GRM42-6B104M25PT | 0.1uF | 25V | B | |
| C 0915 | K22174809 | CHIP CAP. | GRM39B102M50PT | 0.001uF | 50V | B | |
| C 0916 | K22174809 | CHIP CAP. | GRM39B102M50PT | 0.001uF | 50V | B | |
| C 0917 | K22120805 | CHIP CAP. | GRM40R683M16PT | 0.068uF | 16V | R | |
| Q 0901 | G1091123 | IC | MB1504PF-G-BND-TF | | | | |
| Q 0902 | G3342157Y | TRANSISTOR | 2SC4215Y TE85R | | | | |
| Q 0903 | G3115867Y | TRANSISTOR | 2SA1586Y TE85R | | | | |
| R 0901 | J24185150 | CHIP RES. | RMC1/16 150JATP | 15 | 1/16W | | |
| R 0902 | J24185150 | CHIP RES. | RMC1/16 150JATP | 15 | 1/16W | | |
| R 0903 | J24185150 | CHIP RES. | RMC1/16 150JATP | 15 | 1/16W | | |
| R 0904 | J24185683 | CHIP RES. | RMC1/16 683JATP | 68K | 1/16W | | |
| R 0905 | J24185471 | CHIP RES. | RMC1/16 471JATP | 470 | 1/16W | | |
| R 0906 | J24185333 | CHIP RES. | RMC1/16 333JATP | 33K | 1/16W | | |
| R 0907 | J24185101 | CHIP RES. | RMC1/16 101JATP | 100 | 1/16W | | |
| R 0908 | J24185471 | CHIP RES. | RMC1/16 471JATP | 470 | 1/16W | | |
| R 0909 | J24185104 | CHIP RES. | RMC1/16 104JATP | 100K | 1/16W | | |
| R 0910 | J24185332 | CHIP RES. | RMC1/16 332JATP | 3.3K | 1/16W | | |
| R 0911 | J24185000 | CHIP RES. | RMC1/16 000JATP | 0 | 1/16W | | |
| R 0912 | J24185103 | CHIP RES. | RMC1/16 103JATP | 10K | 1/16W | | |
| R 0913 | J24185102 | CHIP RES. | RMC1/16 102JATP | 1K | 1/16W | | |

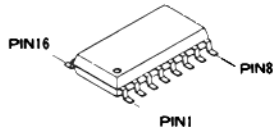
144-PLL UNIT (No.09XX)



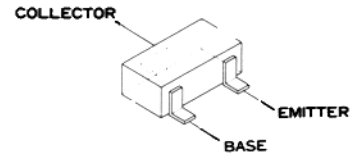
(obverse view of "component" side)



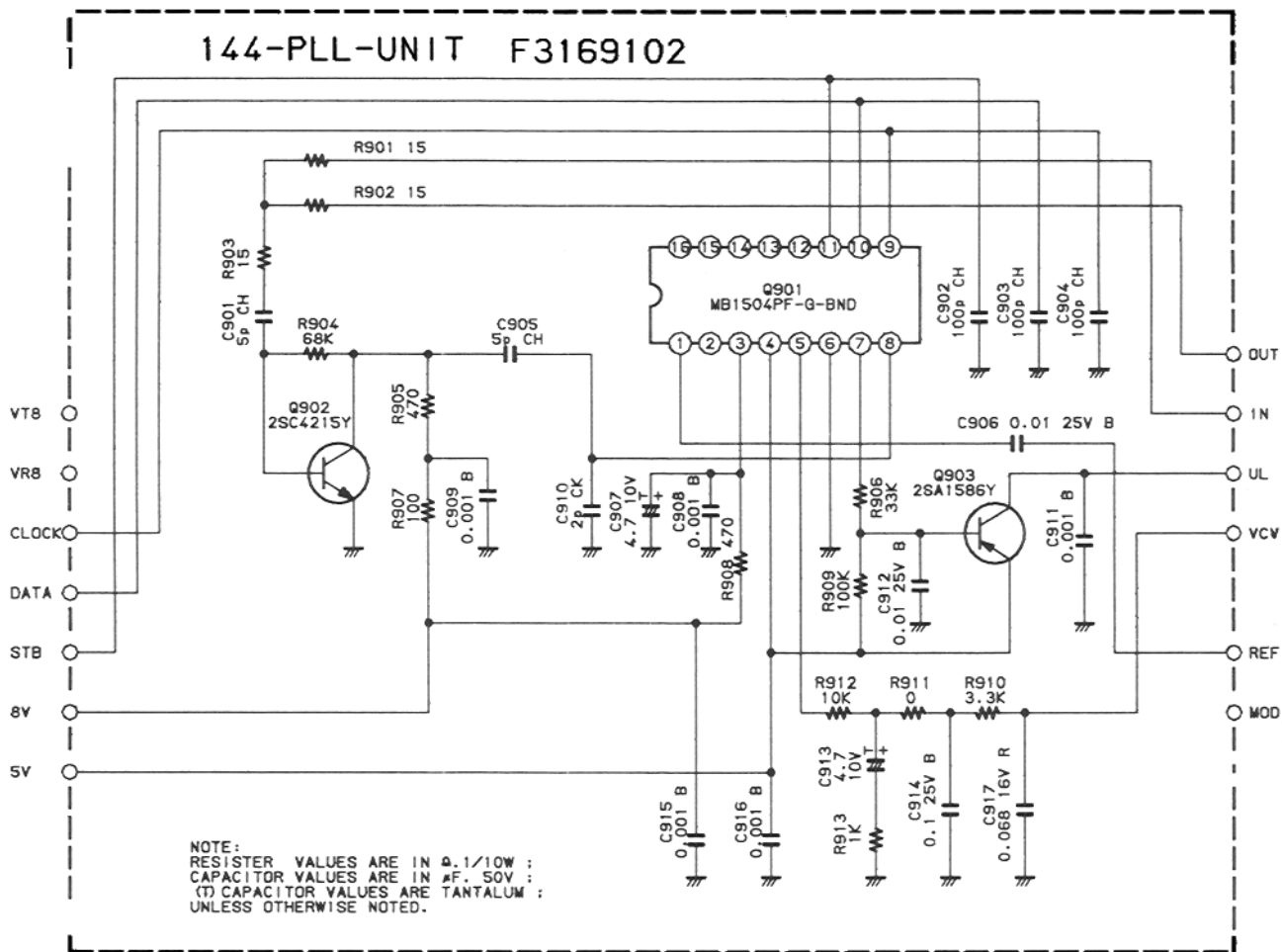
(obverse view of "solder" side)



MB1504PF
(Q901)



2SA1586Y(SO)
(Q903)
2SC4215Y(QY)
(Q902)



(144-PLL UNIT Schematic Diagram)

| REF. | YAESU P/N | DESCRIPTION | MFR'S DESIG | VALUE | NV | TOL. | VERS. |
|--------|-----------|--------------------|--------------------|---------|------|------|-------|
| | CS0975002 | P. C. B. W COMP. | | | | | |
| | F3166000C | P. C. B. | | | | | |
| C 1001 | K40129066 | AL. ELECTRO. CAP. | RE3-16V471M | 470uF | 16V | | |
| C 1002 | K28179001 | CERAMIC CAP. | UP050B102K-A | 0.001uF | 50V | B | |
| C 1003 | K22170203 | CHIP CAP. | GRM40CK020C50PT | 2pF | 50V | CK | |
| C 1004 | K22170203 | CHIP CAP. | GRM40CK020C50PT | 2pF | 50V | CK | |
| C 1005 | K22275221 | CHIP CAP. | GRM42-2CH220J500PT | 22pF | 500V | CH | |
| C 1006 | K22170203 | CHIP CAP. | GRM40CK020C50PT | 2pF | 50V | CK | |
| C 1007 | K22170203 | CHIP CAP. | GRM40CK020C50PT | 2pF | 50V | CK | |
| C 1008 | K22170204 | CHIP CAP. | GRM40CJ030C50PT | 3pF | 50V | CJ | |
| C 1009 | K22170206 | CHIP CAP. | GRM40CH050C50PT | 5pF | 50V | CH | |
| C 1010 | K22170211 | CHIP CAP. | GRM40CH100D50PT | 10pF | 50V | CH | |
| C 1011 | K22170202 | CHIP CAP. | GRM40CK010C50PT | 1pF | 50V | CK | |
| C 1013 | K22170202 | CHIP CAP. | GRM40CK010C50PT | 1pF | 50V | CK | |
| C 1014 | K22170213 | CHIP CAP. | GRM40CH120J50PT | 12pF | 50V | CH | |
| C 1015 | K22174211 | CHIP CAP. | GRM39CH100D50PT | 10pF | 50V | CH | |
| C 1016 | K46120004 | AL. ELECTRO. CAP. | 16V100M4X7TR2 | 10uF | 16V | | |
| C 1017 | K46120004 | AL. ELECTRO. CAP. | 16V100M4X7TR2 | 10uF | 16V | | |
| C 1018 | K40129059 | AL. ELECTRO. CAP. | RC3-16V4R7MS(3X5) | 4.7uF | 16V | | |
| C 1019 | K40129059 | AL. ELECTRO. CAP. | RC3-16V4R7MS(3X5) | 4.7uF | 16V | | |
| C 1020 | K22170208 | CHIP CAP. | GRM40CH070D50PT | 7pF | 50V | CH | |
| C 1021 | K46120004 | AL. ELECTRO. CAP. | 16V100M4X7TR2 | 10uF | 16V | | |
| C 1022 | K22170209 | CHIP CAP. | GRM40CH080D50PT | 8pF | 50V | CH | |
| C 1023 | K22170204 | CHIP CAP. | GRM40CJ030C50PT | 3pF | 50V | CJ | |
| C 1024 | K22170205 | CHIP CAP. | GRM40CH040C50PT | 4pF | 50V | CH | |
| C 1025 | K22170251 | CHIP CAP. | GRM40CH471J50PT | 470pF | 50V | CH | |
| C 1026 | K22170251 | CHIP CAP. | GRM40CH471J50PT | 470pF | 50V | CH | |
| C 1027 | K22170805 | CHIP CAP. | GRM40B102M50PT | 0.001uF | 50V | B | |
| C 1028 | K22170805 | CHIP CAP. | GRM40B102M50PT | 0.001uF | 50V | B | |
| C 1029 | K22170221 | CHIP CAP. | GRM40CH270J50PT | 27pF | 50V | CH | |
| C 1030 | K22170251 | CHIP CAP. | GRM40CH471J50PT | 470pF | 50V | CH | |
| C 1031 | K22170211 | CHIP CAP. | GRM40CH100D50PT | 10pF | 50V | CH | |
| C 1032 | K22170805 | CHIP CAP. | GRM40B102M50PT | 0.001uF | 50V | B | |
| C 1033 | K22170805 | CHIP CAP. | GRM40B102M50PT | 0.001uF | 50V | B | |
| C 1034 | K22170251 | CHIP CAP. | GRM40CH471J50PT | 470pF | 50V | CH | |
| C 1035 | K22170805 | CHIP CAP. | GRM40B102M50PT | 0.001uF | 50V | B | |
| C 1036 | K22170805 | CHIP CAP. | GRM40B102M50PT | 0.001uF | 50V | B | |
| C 1037 | K22170251 | CHIP CAP. | GRM40CH471J50PT | 470pF | 50V | CH | |
| C 1038 | K22170805 | CHIP CAP. | GRM40B102M50PT | 0.001uF | 50V | B | |
| C 1039 | K22174207 | CHIP CAP. | GRM39CH060D50PT | 6pF | 50V | CH | |
| C 1040 | K22170805 | CHIP CAP. | GRM40B102M50PT | 0.001uF | 50V | B | |
| C 1041 | K78120009 | TANTALUM CHIP CAP. | TESVA1C105M1-8R | 1uF | 16V | | |
| C 1042 | K22170805 | CHIP CAP. | GRM40B102M50PT | 0.001uF | 50V | B | |
| C 1043 | K78120009 | TANTALUM CHIP CAP. | TESVA1C105M1-8R | 1uF | 16V | | |
| C 1044 | K22170209 | CHIP CAP. | GRM40CH080D50PT | 8pF | 50V | CH | |
| C 1045 | K22170203 | CHIP CAP. | GRM40CK020C50PT | 2pF | 50V | CK | |
| C 1046 | K22170203 | CHIP CAP. | GRM40CK020C50PT | 2pF | 50V | CK | |
| C 1047 | K22170805 | CHIP CAP. | GRM40B102M50PT | 0.001uF | 50V | B | |
| C 1048 | K22170209 | CHIP CAP. | GRM40CH080D50PT | 8pF | 50V | CH | |
| C 1049 | K22170205 | CHIP CAP. | GRM40CH040C50PT | 4pF | 50V | CH | |
| C 1050 | K46120004 | AL. ELECTRO. CAP. | 16V100M4X7TR2 | 10uF | 16V | | |
| C 1051 | K46120004 | AL. ELECTRO. CAP. | 16V100M4X7TR2 | 10uF | 16V | | |

| REF. | YAESU P/N | DESCRIPTION | MFGR'S DESIG | VALUE | WV | TOL. | VERS. |
|--------|-----------|-------------------|------------------|---------|-----|------|-------|
| C 1052 | K22170805 | CHIP CAP. | GRM40B102M50PT | 0.001uF | 50V | B | |
| C 1054 | K22170805 | CHIP CAP. | GRM40B102M50PT | 0.001uF | 50V | B | |
| C 1055 | K22170805 | CHIP CAP. | GRM40B102M50PT | 0.001uF | 50V | B | |
| C 1056 | K22170805 | CHIP CAP. | GRM40B102M50PT | 0.001uF | 50V | B | |
| C 1057 | K22170805 | CHIP CAP. | GRM40B102M50PT | 0.001uF | 50V | B | |
| C 1058 | K22170805 | CHIP CAP. | GRM40B102M50PT | 0.001uF | 50V | B | |
| C 1059 | K22170805 | CHIP CAP. | GRM40B102M50PT | 0.001uF | 50V | B | |
| C 1060 | K40129012 | AL. ELECTRO. CAP. | RC2-16V100M(4X7) | 10uF | 16V | | |
| C 1061 | K22174809 | CHIP CAP. | GRM39B102M50PT | 0.001uF | 50V | B | |
| C 1062 | K70107106 | TANTALUM CAP. | DN1A100M1S | 10uF | 10V | | |
| C 1065 | K22170817 | CHIP CAP. | GRM40B103M50PT | 0.01uF | 50V | B | |
| C 1066 | K22170817 | CHIP CAP. | GRM40B103M50PT | 0.01uF | 50V | B | |
| C 1067 | K22170805 | CHIP CAP. | GRM40B102M50PT | 0.001uF | 50V | B | |
| C 1068 | K70127475 | TANTALUM CAP. | DN1C4R7M1S | 4.7uF | 16V | | |
| C 1069 | K22170805 | CHIP CAP. | GRM40B102M50PT | 0.001uF | 50V | B | |
| C 1070 | K70127475 | TANTALUM CAP. | DN1C4R7M1S | 4.7uF | 16V | | |
| C 1071 | K22170227 | CHIP CAP. | GRM40CH470J50PT | 47pF | 50V | CH | |
| C 1072 | K22170231 | CHIP CAP. | GRM40CH680J50PT | 68pF | 50V | CH | |
| C 1073 | K22170805 | CHIP CAP. | GRM40B102M50PT | 0.001uF | 50V | B | |
| C 1074 | K22170805 | CHIP CAP. | GRM40B102M50PT | 0.001uF | 50V | B | |
| C 1075 | K70167105 | TANTALUM CAP. | DN1V010M1S | 1uF | 35V | | |
| C 1076 | K22170805 | CHIP CAP. | GRM40B102M50PT | 0.001uF | 50V | B | |
| C 1077 | K22170805 | CHIP CAP. | GRM40B102M50PT | 0.001uF | 50V | B | |
| C 1078 | K40129046 | AL. ELECTRO. CAP. | RE2-16V102M | 1000uF | 16V | | |
| C 1079 | K22170805 | CHIP CAP. | GRM40B102M50PT | 0.001uF | 50V | B | |
| C 1080 | K46120004 | AL. ELECTRO. CAP. | 16V100M4X7TR2 | 10uF | 16V | | |
| C 1081 | K22170805 | CHIP CAP. | GRM40B102M50PT | 0.001uF | 50V | B | |
| C 1082 | K22170211 | CHIP CAP. | GRM40CH100D50PT | 10pF | 50V | CH | |
| C 1083 | K22170202 | CHIP CAP. | GRM40CK010C50PT | 1pF | 50V | CK | |
| C 1085 | K40129046 | AL. ELECTRO. CAP. | RE2-16V102M | 1000uF | 16V | | |
| C 1086 | K22170201 | CHIP CAP. | GRM40CK0R5C50PT | 0.5pF | 50V | CK | |
| C 1087 | K22170203 | CHIP CAP. | GRM40CK020C50PT | 2pF | 50V | CK | |
| C 1089 | K22170805 | CHIP CAP. | GRM40B102M50PT | 0.001uF | 50V | B | |
| C 1091 | K22170805 | CHIP CAP. | GRM40B102M50PT | 0.001uF | 50V | B | |
| C 1092 | K70127106 | TANTALUM CAP. | DN1C100M1S | 10uF | 16V | | |
| C 1093 | K22170805 | CHIP CAP. | GRM40B102M50PT | 0.001uF | 50V | B | |
| C 1096 | K22170805 | CHIP CAP. | GRM40B102M50PT | 0.001uF | 50V | B | |
| C 1097 | K22170805 | CHIP CAP. | GRM40B102M50PT | 0.001uF | 50V | B | |
| C 1098 | K46120010 | AL. ELECTRO. CAP. | RC2-16V470M-T34 | 47uF | 16V | | |
| C 1099 | K22170805 | CHIP CAP. | GRM40B102M50PT | 0.001uF | 50V | B | |
| C 1100 | K22140811 | CHIP CAP. | GRM40B104M25PT | 0.1uF | 25V | B | |
| C 1101 | K46170030 | AL. ELECTRO. CAP. | 50V010M4X7TR2 | 1uF | 50V | | |
| C 1102 | K46170030 | AL. ELECTRO. CAP. | 50V010M4X7TR2 | 1uF | 50V | | |
| C 1103 | K22170209 | CHIP CAP. | GRM40CH080D50PT | 8pF | 50V | CH | |
| C 1104 | K22170219 | CHIP CAP. | GRM40CH220J50PT | 22pF | 50V | CH | |
| C 1105 | K22170805 | CHIP CAP. | GRM40B102M50PT | 0.001uF | 50V | B | |
| C 1106 | K22170805 | CHIP CAP. | GRM40B102M50PT | 0.001uF | 50V | B | |
| C 1107 | K22140811 | CHIP CAP. | GRM40B104M25PT | 0.1uF | 25V | B | |
| C 1108 | K22170805 | CHIP CAP. | GRM40B102M50PT | 0.001uF | 50V | B | |
| C 1109 | K22170805 | CHIP CAP. | GRM40B102M50PT | 0.001uF | 50V | B | |
| C 1110 | K22140811 | CHIP CAP. | GRM40B104M25PT | 0.1uF | 25V | B | |
| C 1111 | K22140811 | CHIP CAP. | GRM40B104M25PT | 0.1uF | 25V | B | |
| C 1112 | K22170805 | CHIP CAP. | GRM40B102M50PT | 0.001uF | 50V | B | |
| C 1113 | K22170204 | CHIP CAP. | GRM40CJ030C50PT | 3pF | 50V | CJ | |

| REF. | YAESU P/N | DESCRIPTION | MFGR'S DESIG | VALUE | WV | TOL. | VERS. |
|--------|-----------|--------------------|-----------------|---------|-----|------|-------|
| C 1114 | K40129020 | AL. ELECTRO. CAP. | RC-16V101M(8X9) | 100uF | 16V | | |
| C 1115 | K40129066 | AL. ELECTRO. CAP. | RE3-16V471M | 470uF | 16V | | |
| C 1116 | K40129066 | AL. ELECTRO. CAP. | RE3-16V471M | 470uF | 16V | | |
| C 1117 | K22170203 | CHIP CAP. | GRM40CK020C50PT | 2pF | 50V | CK | |
| C 1119 | K22170215 | CHIP CAP. | GRM40CH150J50PT | 15pF | 50V | CH | |
| C 1122 | K22170817 | CHIP CAP. | GRM40B103M50PT | 0.01uF | 50V | B | |
| C 1123 | K22170805 | CHIP CAP. | GRM40B102M50PT | 0.001uF | 50V | B | |
| C 1124 | K22170805 | CHIP CAP. | GRM40B102M50PT | 0.001uF | 50V | B | |
| C 1125 | K22170805 | CHIP CAP. | GRM40B102M50PT | 0.001uF | 50V | B | |
| C 1127 | K22170805 | CHIP CAP. | GRM40B102M50PT | 0.001uF | 50V | B | |
| C 1128 | K22170817 | CHIP CAP. | GRM40B103M50PT | 0.01uF | 50V | B | |
| C 1129 | K22170206 | CHIP CAP. | GRM40CH050C50PT | 5pF | 50V | CH | |
| C 1130 | K22170805 | CHIP CAP. | GRM40B102M50PT | 0.001uF | 50V | B | |
| C 1131 | K22170805 | CHIP CAP. | GRM40B102M50PT | 0.001uF | 50V | B | |
| C 1132 | K22170805 | CHIP CAP. | GRM40B102M50PT | 0.001uF | 50V | B | |
| C 1133 | K22170817 | CHIP CAP. | GRM40B103M50PT | 0.01uF | 50V | B | |
| C 1135 | K22170817 | CHIP CAP. | GRM40B103M50PT | 0.01uF | 50V | B | |
| C 1136 | K22170805 | CHIP CAP. | GRM40B102M50PT | 0.001uF | 50V | B | |
| C 1137 | K22170201 | CHIP CAP. | GRM40CK0R5C50PT | 0.5pF | 50V | CK | |
| C 1140 | K78160027 | TANTALUM CHIP CAP. | TESVA1V224M1-8R | 0.22uF | 35V | | |
| C 1141 | K78160027 | TANTALUM CHIP CAP. | TESVA1V224M1-8R | 0.22uF | 35V | | |
| C 1142 | K22170203 | CHIP CAP. | GRM40CK020C50PT | 2pF | 50V | CK | |
| C 1143 | K22170203 | CHIP CAP. | GRM40CK020C50PT | 2pF | 50V | CK | |
| C 1144 | K40109024 | AL. ELECTRO. CAP. | RE2-10V101M | 100uF | 10V | | |
| C 1145 | K22170805 | CHIP CAP. | GRM40B102M50PT | 0.001uF | 50V | B | |
| C 1146 | K22140811 | CHIP CAP. | GRM40B104M25PT | 0.1uF | 25V | B | |
| C 1147 | K22174809 | CHIP CAP. | GRM39B102M50PT | 0.001uF | 50V | B | |
| C 1148 | K22170805 | CHIP CAP. | GRM40B102M50PT | 0.001uF | 50V | B | |
| C 1149 | K22140811 | CHIP CAP. | GRM40B104M25PT | 0.1uF | 25V | B | |
| C 1150 | K22170805 | CHIP CAP. | GRM40B102M50PT | 0.001uF | 50V | B | |
| C 1151 | K22140811 | CHIP CAP. | GRM40B104M25PT | 0.1uF | 25V | B | |
| C 1152 | K22170817 | CHIP CAP. | GRM40B103M50PT | 0.01uF | 50V | B | |
| C 1153 | K22170817 | CHIP CAP. | GRM40B103M50PT | 0.01uF | 50V | B | |
| C 1154 | K22170805 | CHIP CAP. | GRM40B102M50PT | 0.001uF | 50V | B | |
| C 1155 | K22170805 | CHIP CAP. | GRM40B102M50PT | 0.001uF | 50V | B | |
| C 1156 | K40129042 | AL. ELECTRO. CAP. | RE2-16V101M | 100uF | 16V | | |
| C 1157 | K22174235 | CHIP CAP. | GRM39CH101J50PT | 100pF | 50V | CH | |
| C 1158 | K22174235 | CHIP CAP. | GRM39CH101J50PT | 100pF | 50V | CH | |
| C 1159 | K22170211 | CHIP CAP. | GRM40CH100D50PT | 10pF | 50V | CH | |
| C 1160 | K22140811 | CHIP CAP. | GRM40B104M25PT | 0.1uF | 25V | B | |
| C 1161 | K22144802 | CHIP CAP. | GRM39B103M25PT | 0.01uF | 25V | B | |
| C 1162 | K22144802 | CHIP CAP. | GRM39B103M25PT | 0.01uF | 25V | B | |
| C 1163 | K22170211 | CHIP CAP. | GRM40CH100D50PT | 10pF | 50V | CH | |
| C 1165 | K22170805 | CHIP CAP. | GRM40B102M50PT | 0.001uF | 50V | B | |
| C 1166 | K22170805 | CHIP CAP. | GRM40B102M50PT | 0.001uF | 50V | B | |
| C 1167 | K22170805 | CHIP CAP. | GRM40B102M50PT | 0.001uF | 50V | B | |
| C 1168 | K22170805 | CHIP CAP. | GRM40B102M50PT | 0.001uF | 50V | B | |
| C 1169 | K22170805 | CHIP CAP. | GRM40B102M50PT | 0.001uF | 50V | B | |
| C 1170 | K22170805 | CHIP CAP. | GRM40B102M50PT | 0.001uF | 50V | B | |
| C 1172 | K22174809 | CHIP CAP. | GRM39B102M50PT | 0.001uF | 50V | B | |
| C 1173 | K22174809 | CHIP CAP. | GRM39B102M50PT | 0.001uF | 50V | B | |
| C 1174 | K22170805 | CHIP CAP. | GRM40B102M50PT | 0.001uF | 50V | B | |
| C 1175 | K22140811 | CHIP CAP. | GRM40B104M25PT | 0.1uF | 25V | B | |
| C 1176 | K22174809 | CHIP CAP. | GRM39B102M50PT | 0.001uF | 50V | B | |

| REF. | YAESU P/N | DESCRIPTION | MFGR'S DESIG | VALUE | WV | TOL. | VERS. |
|--------|-----------|--------------------|----------------------|----------|-----|------|-------|
| C 1179 | K22174809 | CHIP CAP. | GRM39B102M50PT | 0.001uF | 50V | B | |
| C 1181 | K22170805 | CHIP CAP. | GRM40B102M50PT | 0.001uF | 50V | B | |
| C 1182 | K22174809 | CHIP CAP. | GRM39B102M50PT | 0.001uF | 50V | B | |
| C 1183 | K22170805 | CHIP CAP. | GRM40B102M50PT | 0.001uF | 50V | B | |
| C 1185 | K22174809 | CHIP CAP. | GRM39B102M50PT | 0.001uF | 50V | B | |
| C 1186 | K22174809 | CHIP CAP. | GRM39B102M50PT | 0.001uF | 50V | B | |
| C 1187 | K22170805 | CHIP CAP. | GRM40B102M50PT | 0.001uF | 50V | B | |
| C 1188 | K22170805 | CHIP CAP. | GRM40B102M50PT | 0.001uF | 50V | B | |
| C 1189 | K22170805 | CHIP CAP. | GRM40B102M50PT | 0.001uF | 50V | B | |
| C 1191 | K22170813 | CHIP CAP. | GRM40B472M50PT | 0.0047uF | 50V | B | |
| C 1192 | K78140009 | TANTALUM CHIP CAP. | TESVA1E474M1-8R | 0.47uF | 25V | | |
| C 1193 | K78140009 | TANTALUM CHIP CAP. | TESVA1E474M1-8R | 0.47uF | 25V | | |
| C 1199 | K22174219 | CHIP CAP. | GRM39CH220J50PT | 22pF | 50V | CH | |
| C 1200 | K22174206 | CHIP CAP. | GRM39CH050C50PT | 5pF | 50V | CH | |
| C 1201 | K22170206 | CHIP CAP. | GRM40CH050C50PT | 5pF | 50V | CH | |
| C 1202 | K22174209 | CHIP CAP. | GRM39CH080D50PT | 8pF | 50V | CH | |
| C 1203 | K22170203 | CHIP CAP. | GRM40CK020C50PT | 2pF | 50V | CK | |
| C 1204 | K22170211 | CHIP CAP. | GRM40CH100D50PT | 10pF | 50V | CH | |
| C 1205 | K22170203 | CHIP CAP. | GRM40CK020C50PT | 2pF | 50V | CK | |
| CF1001 | H3900400 | CERAMIC FILTER | CFWM455E | | | | |
| CF1002 | H3900400 | CERAMIC FILTER | CFWM455E | | | | |
| CV1001 | L4020082 | HELICAL RESONATOR | HF-62H14 440M R-F534 | | | | |
| CV1002 | L4020081 | HELICAL RESONATOR | HF-63H21 440M R-F535 | | | | |
| D 1001 | Q9000534 | SURGE ABSORBER | P6KE18 | | | | |
| D 1002 | G2070009 | DIODE | 1SS184 TE85R | | | | |
| D 1003 | G2090425 | DIODE | UM9415 | | | | |
| D 1004 | G2090118 | DIODE | 1SS97 | | | | |
| D 1005 | G2090118 | DIODE | 1SS97 | | | | |
| D 1006 | G2015550 | DIODE | 1S1555 | | | | |
| D 1007 | G2090337 | DIODE | MI308 | | | | |
| D 1008 | G2090297 | DIODE | 1SS110 | | | | |
| D 1009 | G2070118 | DIODE | HSU277 | | | | |
| D 1010 | G2070112 | DIODE | HZM11B-TR | | | | |
| D 1011 | G2070118 | DIODE | HSU277 | | | | |
| D 1012 | G2070118 | DIODE | HSU277 | | | | |
| D 1013 | G2070102 | DIODE | 1T362-T8 | | | | |
| D 1014 | G2070102 | DIODE | 1T362-T8 | | | | |
| D 1016 | G2070102 | DIODE | 1T362-T8 | | | | |
| D 1017 | G2070102 | DIODE | 1T362-T8 | | | | |
| D 1019 | G2070003 | DIODE | 1SS226 TE85R | | | | |
| D 1020 | G2070003 | DIODE | 1SS226 TE85R | | | | |
| D 1021 | G2090297 | DIODE | 1SS110 | | | | |
| D 1022 | G2015550 | DIODE | 1S1555 | | | | |
| D 1025 | G2070009 | DIODE | 1SS184 TE85R | | | | |
| D 1026 | G2070009 | DIODE | 1SS184 TE85R | | | | |
| D 1027 | G2090337 | DIODE | MI308 | | | | |
| D 1028 | G2070118 | DIODE | HSU277 | | | | |
| J 1001 | P1090671 | CONNECTOR | 5533-26APB | | | | |
| J 1002 | P1090672 | CONNECTOR | 9110S-06 | | | | |
| J 1003 | P1090560 | CONNECTOR | 5533-14APB | | | | |

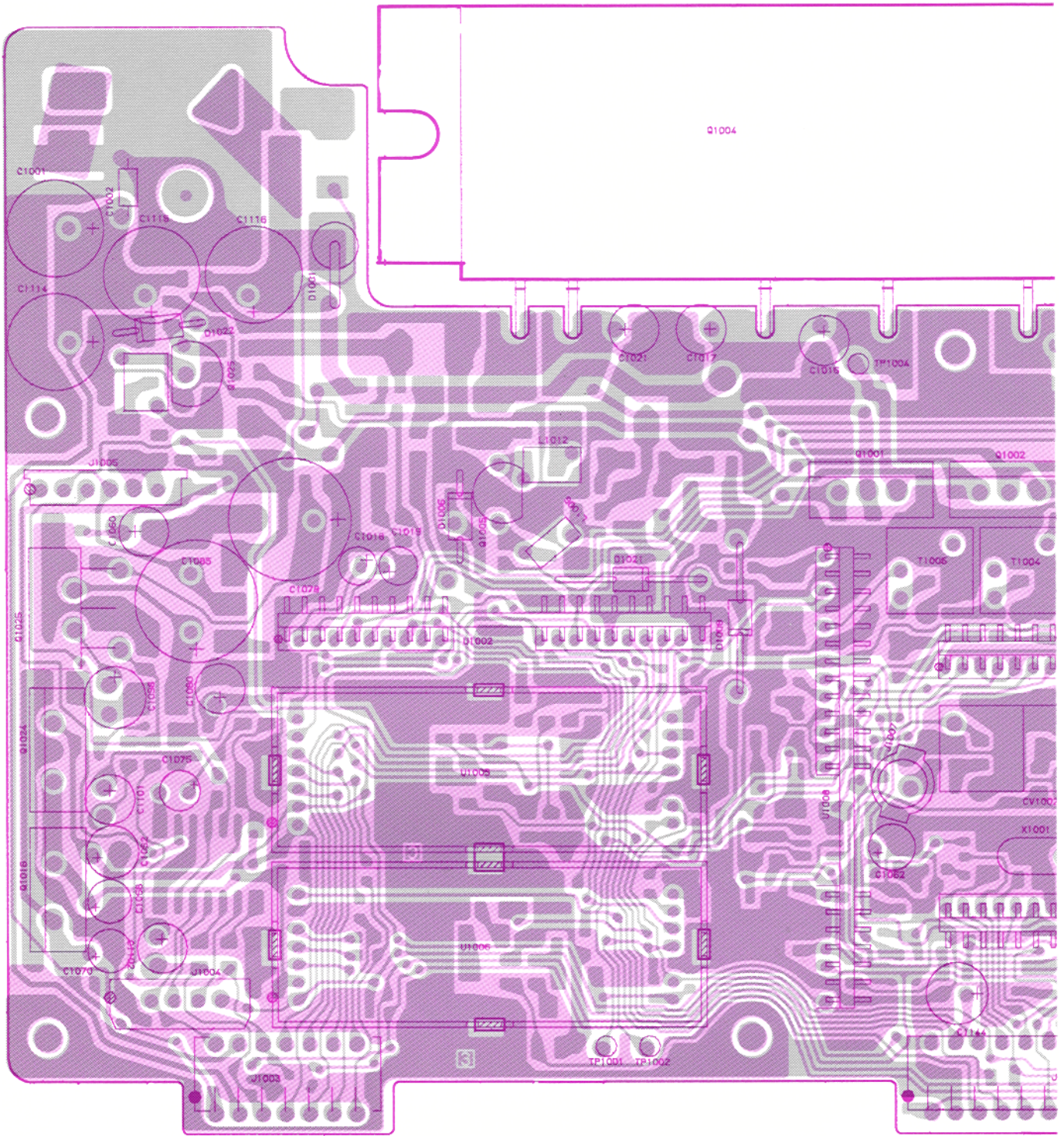
| REF. | YAESU P/N | DESCRIPTION | MFR'S DESIG | VALUE | WV | TOL. | VERS. |
|--------|-----------|-------------|------------------|---------|----|------|---------|
| J 1004 | P0090612 | CONNECTOR | SB20-05WS | | | | |
| J 1005 | P1090672 | CONNECTOR | 9110S-06 | | | | |
| J 1006 | P1090210 | CONNECTOR | TMP-J01X-V6 | | | | |
| J 1007 | P1090210 | CONNECTOR | TMP-J01X-V6 | | | | |
| L 1001 | L0021817 | COIL | 2.5T3.5D0.6UEW R | | | | |
| L 1002 | L0021359 | COIL | 1.5T3.5D0.6UEW R | | | | |
| L 1003 | L0021359 | COIL | 1.5T3.5D0.6UEW R | | | | |
| L 1004 | L0021359 | COIL | 1.5T3.5D0.6UEW R | | | | |
| L 1005 | L0021359 | COIL | 1.5T3.5D0.6UEW R | | | | |
| L 1006 | L0020917 | COIL | 1.0T3.0D0.5UEW R | | | | |
| L 1007 | L0021817 | COIL | 2.5T3.5D0.6UEW R | | | | |
| L 1008 | L0020724 | COIL | 8.5T3.0D0.5UEW R | | | | |
| L 1009 | L1690003 | CHIP COIL | LQN2AR22K | 0.22uH | | | |
| L 1010 | L1690079 | CHIP COIL | LQH3N2R2M02M00- | 2.2uH | | | |
| L 1011 | L1690007 | CHIP COIL | LQN2A47NM | 0.047uH | | | |
| L 1012 | L0021811A | COIL | 2.5T3.0D0.6UEW R | | | | |
| L 1013 | L1690004 | CHIP COIL | LQN2A18NM | 0.018u | | | |
| L 1014 | L1690004 | CHIP COIL | LQN2A18NM | 0.018u | | | |
| L 1016 | L1690004 | CHIP COIL | LQN2A18NM | 0.018u | | | |
| L 1017 | L1690002 | CHIP COIL | LQN2A22NM | 0.022uH | | | |
| L 1018 | L1690073 | CHIP COIL | LQH3NR68M92M00- | 0.68uH | | | |
| L 1019 | L1690073 | CHIP COIL | LQH3NR68M92M00- | 0.68uH | | | |
| L 1020 | L1690079 | CHIP COIL | LQH3N2R2M02M00- | 2.2uH | | | |
| L 1021 | L0020900 | COIL | 2.5T3.5D0.8ACW R | | | | |
| L 1022 | L1690004 | CHIP COIL | LQN2A18NM | 0.018u | | | |
| L 1023 | L1690007 | CHIP COIL | LQN2A47NM | 0.047uH | | | |
| L 1024 | L0020340 | COIL | 5.5T3.0D0.5UEW R | | | | |
| L 1025 | L1690135 | M. RFC | LER015TR10M | 0.1 | | | |
| P 1001 | T9206007A | WIRE-ASSY | | | | | |
| P 1002 | T9206005 | WIRE-ASSY | | | | | DST EXP |
| P 1002 | T9206005 | WIRE-ASSY | | | | | DST USA |
| P 1003 | T9205639A | WIRE-ASSY | | | | | |
| Q 1001 | G3211340R | TRANSISTOR | 2SB1134R | | | | |
| Q 1002 | G3211340R | TRANSISTOR | 2SB1134R | | | | |
| Q 1003 | G3327147Y | TRANSISTOR | 2SC2714YTE85R | | | | |
| Q 1004 | G1091122 | IC | M57788MR | | | | |
| Q 1005 | G3090050 | TRANSISTOR | 2SC2407(1) | | | | |
| Q 1006 | G3333577 | TRANSISTOR | 2SC3357-T2 | | | | |
| Q 1007 | G3342267B | TRANSISTOR | 2SC4226-T2B R22 | | | | |
| Q 1008 | G3070034 | TRANSISTOR | DTC124EK T97 | | | | |
| Q 1009 | G4070001 | FET | SGM2006M-T8 | | | | |
| Q 1010 | G3815777 | FET | 2SK1577 | | | | |
| Q 1011 | G3070025 | TRANSISTOR | 1MZ1 T108 | | | | |
| Q 1012 | G3070034 | TRANSISTOR | DTC124EK T97 | | | | |
| Q 1013 | G3316237F | TRANSISTOR | 2SC1623-T2BL6 | | | | |
| Q 1014 | G3328737Y | TRANSISTOR | 2SC2873-Y TE12R | | | | |
| Q 1015 | G3070034 | TRANSISTOR | DTC124EK T97 | | | | |
| Q 1016 | G1090294 | IC | UPC7808H | | | | |
| Q 1018 | G3326207B | TRANSISTOR | 2SC2620QBTR | | | | |
| Q 1019 | G3326207B | TRANSISTOR | 2SC2620QBTR | | | | |
| Q 1020 | G1091035 | IC | UPD4066BG-T2 | | | | |

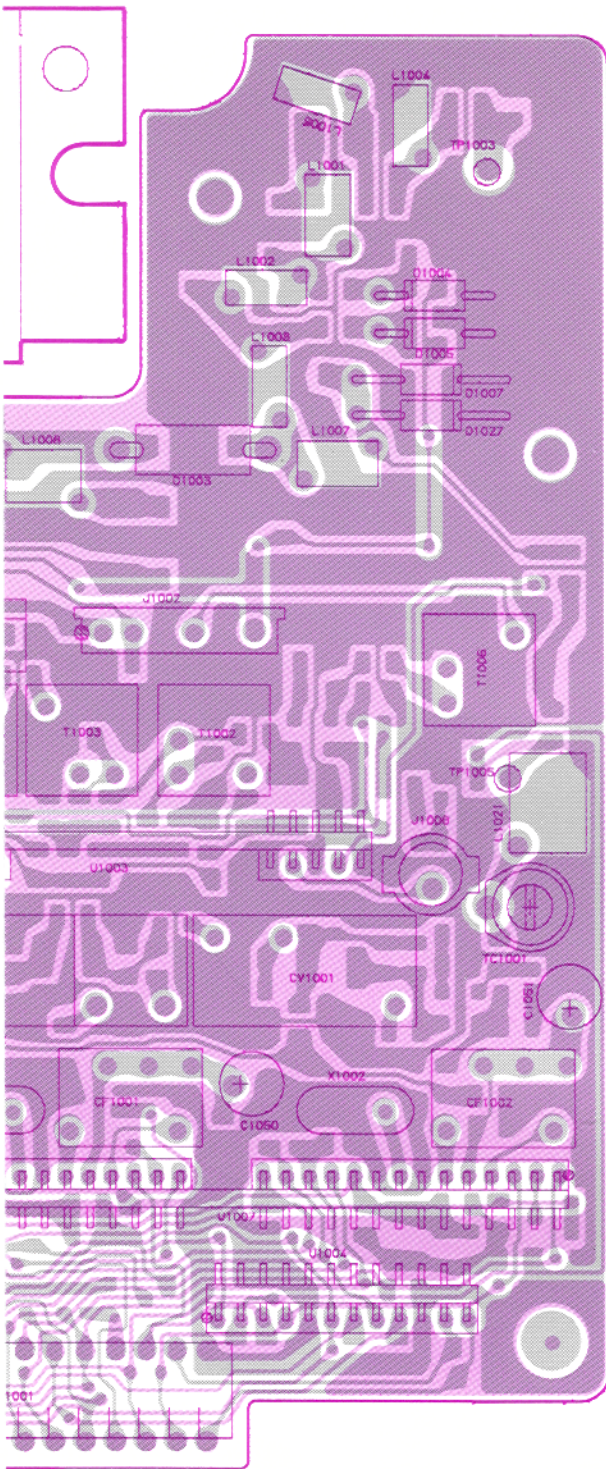
| REF. | YAESU P/N | DESCRIPTION | MFR'S DESIG | VALUE | WV | TOL. | VERS. |
|--------|-----------|-------------|-----------------|-------|----|-------|-------|
| Q 1021 | G4801317A | FET | 3SK131-T2B V11 | | | | |
| Q 1023 | G3316237F | TRANSISTOR | 2SC1623-T2BL6 | | | | |
| Q 1024 | G1090299 | IC | UPC7805H | | | | |
| Q 1025 | G1090769 | IC | TDA2003 | | | | |
| Q 1026 | G3325380 | TRANSISTOR | 2SC2538 | | | | |
| Q 1027 | G3333577 | TRANSISTOR | 2SC3357-T2 | | | | |
| Q 1028 | G1090990 | IC | M5223FP-72A | | | | |
| Q 1029 | G3070034 | TRANSISTOR | DTC124EK T97 | | | | |
| Q 1030 | G3070034 | TRANSISTOR | DTC124EK T97 | | | | |
| Q 1033 | G3316237F | TRANSISTOR | 2SC1623-T2BL6 | | | | |
| Q 1034 | G3070037 | TRANSISTOR | RN1303 TE85R | | | | |
| Q 1035 | G3070037 | TRANSISTOR | RN1303 TE85R | | | | |
| R 1001 | J24205683 | CHIP RES. | RMC1/10T 683J | 68K | | 1/10W | |
| R 1002 | J24205470 | CHIP RES. | RMC1/10T 470J | 47 | | 1/10W | |
| R 1003 | J24245100 | CHIP RES. | RMC1/4 100JATP | 10 | | 1/4W | |
| R 1004 | J24205103 | CHIP RES. | RMC1/10T 103J | 10K | | 1/10W | |
| R 1005 | J24205103 | CHIP RES. | RMC1/10T 103J | 10K | | 1/10W | |
| R 1006 | J24205222 | CHIP RES. | RMC1/10T 222J | 2.2K | | 1/10W | |
| R 1007 | J24205150 | CHIP RES. | RMC1/10T 150J | 15 | | 1/10W | |
| R 1008 | J24205102 | CHIP RES. | RMC1/10T 102J | 1K | | 1/10W | |
| R 1009 | J24205472 | CHIP RES. | RMC1/10T 472J | 4.7K | | 1/10W | |
| R 1010 | J24205221 | CHIP RES. | RMC1/10T 221J | 220 | | 1/10W | |
| R 1011 | J24205471 | CHIP RES. | RMC1/10T 471J | 470 | | 1/10W | |
| R 1012 | J24275151 | CHIP RES. | RMC1/2 151JCTP | 150 | | 1/2W | |
| R 1013 | J24205100 | CHIP RES. | RMC1/10T 100J | 10 | | 1/10W | |
| R 1014 | J24185683 | CHIP RES. | RMC1/16 683JATP | 68K | | 1/16W | |
| R 1015 | J24205221 | CHIP RES. | RMC1/10T 221J | 220 | | 1/10W | |
| R 1016 | J24205104 | CHIP RES. | RMC1/10T 104J | 100K | | 1/10W | |
| R 1017 | J24205471 | CHIP RES. | RMC1/10T 471J | 470 | | 1/10W | |
| R 1018 | J24205223 | CHIP RES. | RMC1/10T 223J | 22K | | 1/10W | |
| R 1019 | J24205102 | CHIP RES. | RMC1/10T 102J | 1K | | 1/10W | |
| R 1020 | J24205470 | CHIP RES. | RMC1/10T 470J | 47 | | 1/10W | |
| R 1021 | J24205104 | CHIP RES. | RMC1/10T 104J | 100K | | 1/10W | |
| R 1022 | J24205223 | CHIP RES. | RMC1/10T 223J | 22K | | 1/10W | |
| R 1023 | J24205682 | CHIP RES. | RMC1/10T 682J | 6.8K | | 1/10W | |
| R 1024 | J24205680 | CHIP RES. | RMC1/10T 680J | 68 | | 1/10W | |
| R 1025 | J24205100 | CHIP RES. | RMC1/10T 100J | 10 | | 1/10W | |
| R 1026 | J24205100 | CHIP RES. | RMC1/10T 100J | 10 | | 1/10W | |
| R 1027 | J24205472 | CHIP RES. | RMC1/10T 472J | 4.7K | | 1/10W | |
| R 1028 | J24185103 | CHIP RES. | RMC1/16 103JATP | 10K | | 1/16W | |
| R 1029 | J24205103 | CHIP RES. | RMC1/10T 103J | 10K | | 1/10W | |
| R 1030 | J24205103 | CHIP RES. | RMC1/10T 103J | 10K | | 1/10W | |
| R 1031 | J24205102 | CHIP RES. | RMC1/10T 102J | 1K | | 1/10W | |
| R 1032 | J24205103 | CHIP RES. | RMC1/10T 103J | 10K | | 1/10W | |
| R 1035 | J24205101 | CHIP RES. | RMC1/10T 101J | 100 | | 1/10W | |
| R 1036 | J24205101 | CHIP RES. | RMC1/10T 101J | 100 | | 1/10W | |
| R 1037 | J24205331 | CHIP RES. | RMC1/10T 331J | 330 | | 1/10W | |
| R 1038 | J24205331 | CHIP RES. | RMC1/10T 331J | 330 | | 1/10W | |
| R 1039 | J24205124 | CHIP RES. | RMC1/10T 124J | 120K | | 1/10W | |
| R 1041 | J24305010 | CHIP RES. | RMC1 1R0JCTP | 1 | | 1W | |
| R 1042 | J24205471 | CHIP RES. | RMC1/10T 471J | 470 | | 1/10W | |
| R 1043 | J24205824 | CHIP RES. | RMC1/10T 824J | 820K | | 1/10W | |
| R 1044 | J24205103 | CHIP RES. | RMC1/10T 103J | 10K | | 1/10W | |

| REF. | YAESU P/N | DESCRIPTION | MFR'S DESIG | VALUE | WV | TOL. | VERS. |
|--------|-----------|-------------|-----------------|-------|-------|------|-------|
| R 1045 | J24205102 | CHIP RES. | RMC1/10T 102J | 1K | 1/10W | | |
| R 1046 | J24205122 | CHIP RES. | RMC1/10T 122J | 1. 2K | 1/10W | | |
| R 1048 | J24205103 | CHIP RES. | RMC1/10T 103J | 10K | 1/10W | | |
| R 1049 | J24245010 | CHIP RES. | RMC1/4 1R0JATP | 1 | 1/4W | | |
| R 1050 | J24245221 | CHIP RES. | RMC1/4 221JATP | 220 | 1/4W | | |
| R 1051 | J24205104 | CHIP RES. | RMC1/10T 104J | 100K | 1/10W | | |
| R 1052 | J24205103 | CHIP RES. | RMC1/10T 103J | 10K | 1/10W | | |
| R 1053 | J24205223 | CHIP RES. | RMC1/10T 223J | 22K | 1/10W | | |
| R 1054 | J24205120 | CHIP RES. | RMC1/10T 120J | 12 | 1/10W | | |
| R 1056 | J24205223 | CHIP RES. | RMC1/10T 223J | 22K | 1/10W | | |
| R 1058 | J24205103 | CHIP RES. | RMC1/10T 103J | 10K | 1/10W | | |
| R 1059 | J24205103 | CHIP RES. | RMC1/10T 103J | 10K | 1/10W | | |
| R 1060 | J24205103 | CHIP RES. | RMC1/10T 103J | 10K | 1/10W | | |
| R 1061 | J24205103 | CHIP RES. | RMC1/10T 103J | 10K | 1/10W | | |
| R 1062 | J24205103 | CHIP RES. | RMC1/10T 103J | 10K | 1/10W | | |
| R 1063 | J24245229 | CHIP RES. | RMC1/4 2R2JATP | 2. 2 | 1/4W | | |
| R 1064 | J24205100 | CHIP RES. | RMC1/10T 100J | 10 | 1/10W | | |
| R 1065 | J24205103 | CHIP RES. | RMC1/10T 103J | 10K | 1/10W | | |
| R 1066 | J24205472 | CHIP RES. | RMC1/10T 472J | 4. 7K | 1/10W | | |
| R 1068 | J24205103 | CHIP RES. | RMC1/10T 103J | 10K | 1/10W | | |
| R 1070 | J24205680 | CHIP RES. | RMC1/10T 680J | 68 | 1/10W | | |
| R 1071 | J24205222 | CHIP RES. | RMC1/10T 222J | 2. 2K | 1/10W | | |
| R 1072 | J24205220 | CHIP RES. | RMC1/10T 220J | 22 | 1/10W | | |
| R 1073 | J24205150 | CHIP RES. | RMC1/10T 150J | 15 | 1/10W | | |
| R 1074 | J24205102 | CHIP RES. | RMC1/10T 102J | 1K | 1/10W | | |
| R 1075 | J24205472 | CHIP RES. | RMC1/10T 472J | 4. 7K | 1/10W | | |
| R 1076 | J24205224 | CHIP RES. | RMC1/10T 224J | 220K | 1/10W | | |
| R 1078 | J24205184 | CHIP RES. | RMC1/10T 184J | 180K | 1/10W | | |
| R 1079 | J24205183 | CHIP RES. | RMC1/10T 183J | 18K | 1/10W | | |
| R 1080 | J24205222 | CHIP RES. | RMC1/10T 222J | 2. 2K | 1/10W | | |
| R 1081 | J24205224 | CHIP RES. | RMC1/10T 224J | 220K | 1/10W | | |
| R 1082 | J24205102 | CHIP RES. | RMC1/10T 102J | 1K | 1/10W | | |
| R 1083 | J24205224 | CHIP RES. | RMC1/10T 224J | 220K | 1/10W | | |
| R 1084 | J24205223 | CHIP RES. | RMC1/10T 223J | 22K | 1/10W | | |
| R 1085 | J24205122 | CHIP RES. | RMC1/10T 122J | 1. 2K | 1/10W | | |
| R 1086 | J24205822 | CHIP RES. | RMC1/10T 822J | 8. 2K | 1/10W | | |
| R 1087 | J24205152 | CHIP RES. | RMC1/10T 152J | 1. 5K | 1/10W | | |
| R 1088 | J24245150 | CHIP RES. | RMC1/4 150JATP | 15 | 1/4W | | |
| R 1090 | J24205122 | CHIP RES. | RMC1/10T 122J | 1. 2K | 1/10W | | |
| R 1091 | J24245569 | CHIP RES. | RMC1/4 5R6JATP | 5. 6 | 1/4W | | |
| R 1092 | J24205122 | CHIP RES. | RMC1/10T 122J | 1. 2K | 1/10W | | |
| R 1093 | J24205122 | CHIP RES. | RMC1/10T 122J | 1. 2K | 1/10W | | |
| R 1094 | J24245569 | CHIP RES. | RMC1/4 5R6JATP | 5. 6 | 1/4W | | |
| R 1095 | J24205122 | CHIP RES. | RMC1/10T 122J | 1. 2K | 1/10W | | |
| R 1096 | J24205101 | CHIP RES. | RMC1/10T 101J | 100 | 1/10W | | |
| R 1097 | J24205680 | CHIP RES. | RMC1/10T 680J | 68 | 1/10W | | |
| R 1098 | J24205101 | CHIP RES. | RMC1/10T 101J | 100 | 1/10W | | |
| R 1099 | J24185560 | CHIP RES. | RMC1/16 560JATP | 56 | 1/16W | | |
| R 1100 | J24275470 | CHIP RES. | RMC1/2 470JCTP | 47 | 1/2W | | |
| R 1101 | J24205000 | CHIP RES. | RMC1/10T 000J | 0 | 1/10W | | |
| R 1102 | J24185105 | CHIP RES. | RMC1/16 105JATP | 1M | 1/16W | | |
| R 1103 | J24185105 | CHIP RES. | RMC1/16 105JATP | 1M | 1/16W | | |
| R 1104 | J24185472 | CHIP RES. | RMC1/16 472JATP | 4. 7K | 1/16W | | |
| R 1105 | J24185472 | CHIP RES. | RMC1/16 472JATP | 4. 7K | 1/16W | | |

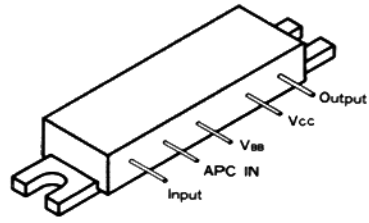
| REF. | YAESU P/N | DESCRIPTION | MFGR'S DESIG | VALUE | WV | TOL. | VERS. |
|--------|-----------|------------------|-----------------|-----------|-------|------|-------|
| R 1106 | J24185472 | CHIP RES. | RMC1/16 472JATP | 4.7K | 1/16W | | |
| R 1107 | J24185472 | CHIP RES. | RMC1/16 472JATP | 4.7K | 1/16W | | |
| R 1108 | J24185683 | CHIP RES. | RMC1/16 683JATP | 68K | 1/16W | | |
| R 1109 | J24185682 | CHIP RES. | RMC1/16 682JATP | 6.8K | 1/16W | | |
| R 1110 | J24205683 | CHIP RES. | RMC1/10T 683J | 68K | 1/10W | | |
| R 1111 | J24205183 | CHIP RES. | RMC1/10T 183J | 18K | 1/10W | | |
| R 1112 | J24205822 | CHIP RES. | RMC1/10T 822J | 8.2K | 1/10W | | |
| R 1113 | J24185393 | CHIP RES. | RMC1/16 393JATP | 39K | 1/16W | | |
| R 1114 | J24185823 | CHIP RES. | RMC1/16 823JATP | 82K | 1/16W | | |
| R 1115 | J24185152 | CHIP RES. | RMC1/16 152JATP | 1.5K | 1/16W | | |
| R 1116 | J24185000 | CHIP RES. | RMC1/16 000JATP | 0 | 1/16W | | |
| R 1124 | J24185103 | CHIP RES. | RMC1/16 103JATP | 10K | 1/16W | | |
| R 1125 | J24185224 | CHIP RES. | RMC1/16 224JATP | 220K | 1/16W | | |
| R 1126 | J24185103 | CHIP RES. | RMC1/16 103JATP | 10K | 1/16W | | |
| R 1127 | J24185224 | CHIP RES. | RMC1/16 224JATP | 220K | 1/16W | | |
| R 1128 | J01225104 | CARBON FILM RES. | RD16PJ104 | 100K | 1/6W | | |
| SP1001 | M4090067 | SPEAKER | TL-57A | 8ohm | 1.5W | | |
| T 1002 | L0022067 | COIL | 145M R12-L044X | | | | |
| T 1003 | L0022067 | COIL | 145M R12-L044X | | | | |
| T 1004 | L0022067 | COIL | 145M R12-L044X | | | | |
| T 1005 | L0022067 | COIL | 145M R12-L044X | | | | |
| T 1006 | L0022067 | COIL | 145M R12-L044X | | | | |
| TC1001 | K91000059 | TRIMMER CAP. | ECV1ZW04X53T | | | | |
| TP1001 | Q5000016 | TP-E | TP-E/MS-60124 | | | | |
| TP1002 | Q5000016 | TP-E | TP-E/MS-60124 | | | | |
| TP1003 | Q5000101 | TP-R | TP-R IPS-1110 | | | | |
| TP1004 | Q5000101 | TP-R | TP-R IPS-1110 | | | | |
| TP1005 | Q5000016 | TP-E | TP-E/MS-60124 | | | | |
| VR1001 | J51778473 | POT. | RH03AYAS4X | 47K | | | |
| VR1002 | J51778473 | POT. | RH03AYAS4X | 47K | | | |
| X 1001 | H0102986 | XTAL | | 17.245MHZ | | | |
| X 1002 | H0102983 | XTAL | | 22.045MHZ | | | |
| | L9190001 | FERRITE BEADS | 4A2 RI3X3-1 | | | | |
| | R3129530 | XTAL HOLDER | | | | | |
| | R0139830 | LEAF SPRING | | | | | |
| | S6000238 | LED SPACER | LH-5-5 | | | | |

MAIN UNIT (No.10XX)

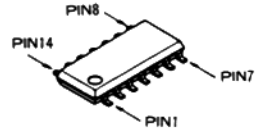




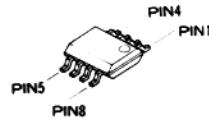
(obverse view of "component" side)



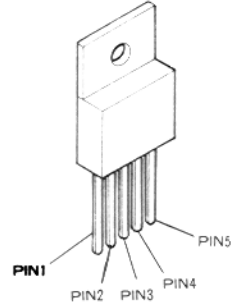
10W Type : M57704MR
Hi Pow Type : M57788MR
(Q1004)



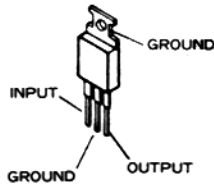
μPD4066BG
(Q1020)



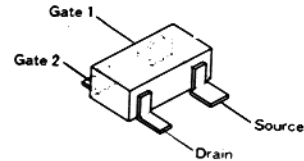
M5223FP
(Q1028)



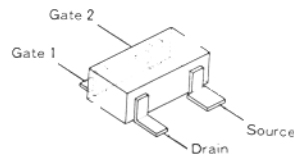
TDA2003
(Q1025)



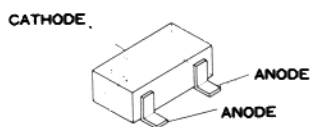
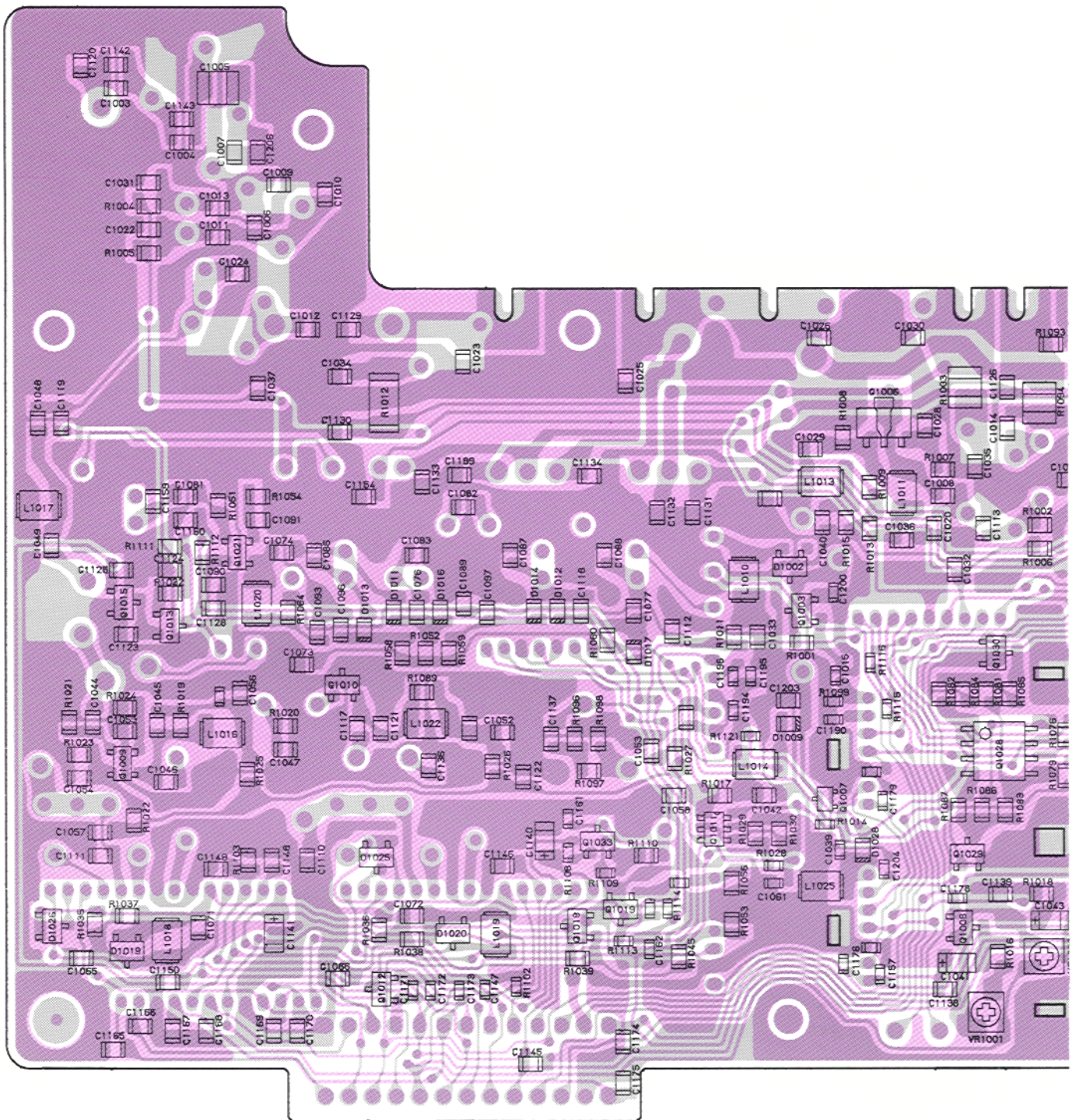
μPC7805H
(Q1024)
μPC7808H
(Q1016)



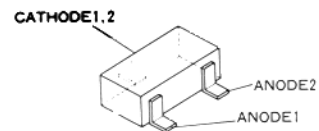
SGM2006M(M-254)
(Q1009)



3SK131(V11)
(Q1011)

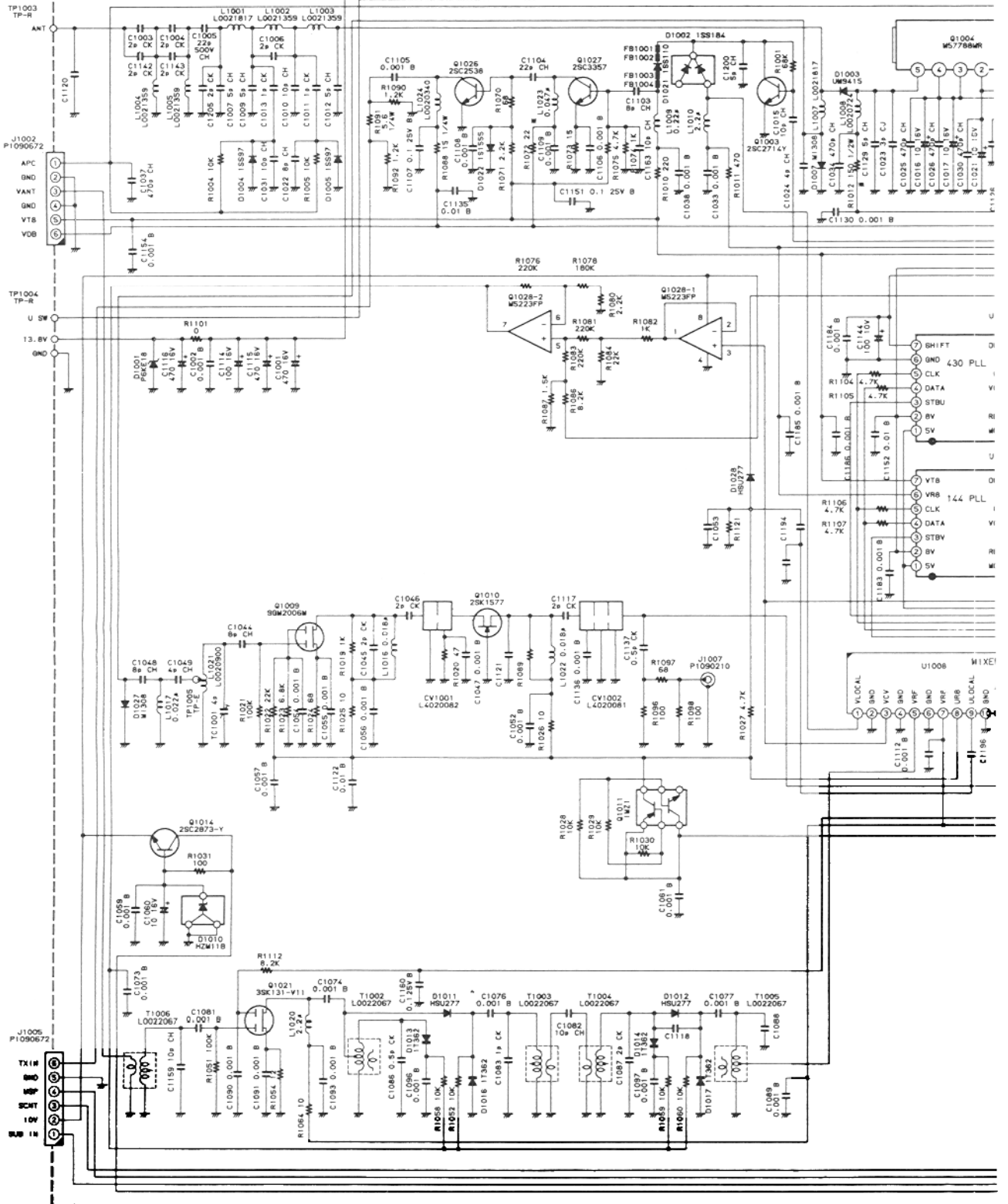


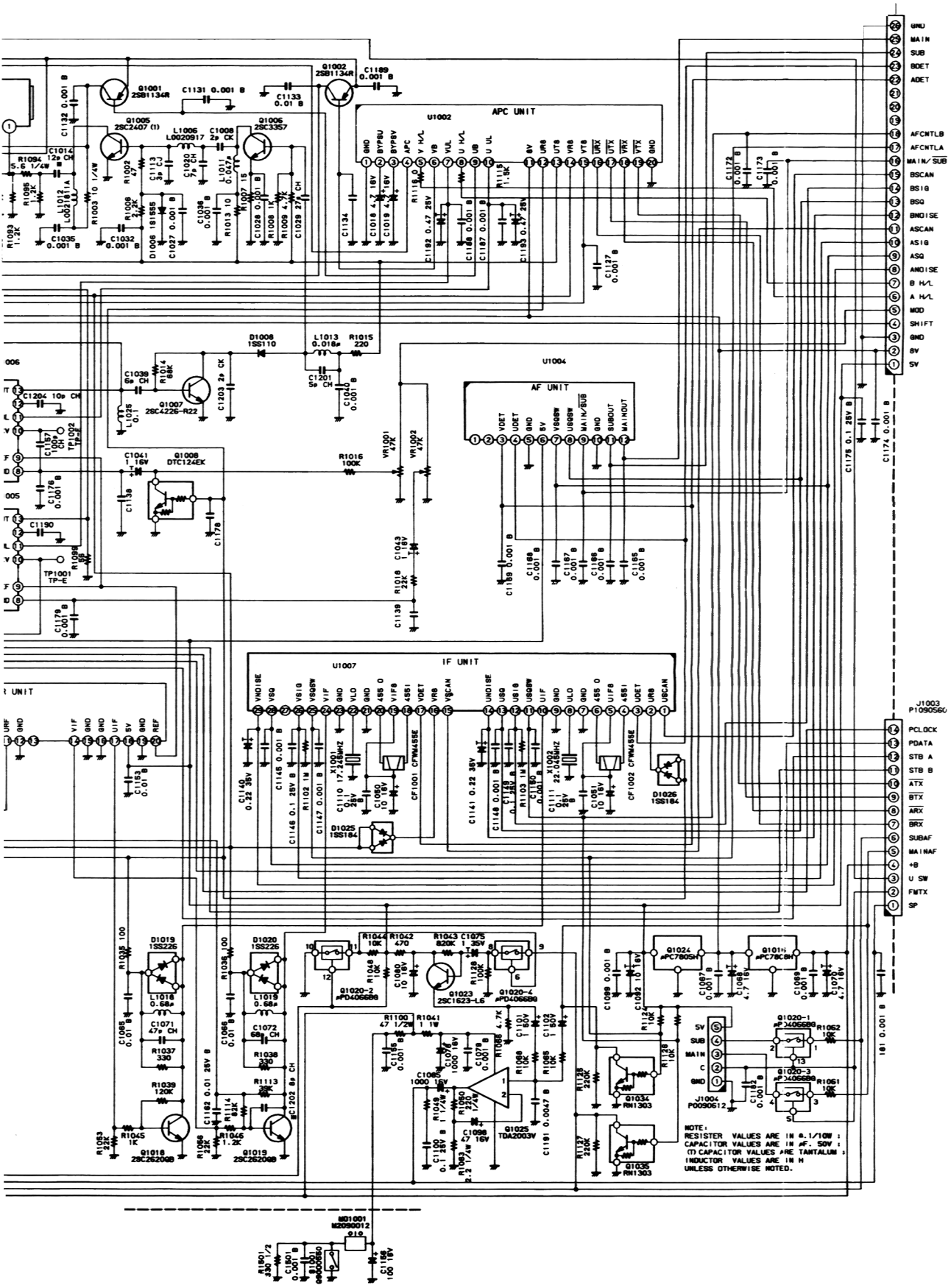
HZM11B(25)
(D1010)



ISS184(B3)
(D1002, D1025, D1026)

MAIN UNIT F316600C





NOTE:
 RESISTOR VALUES ARE IN Ω , 1/10W;
 CAPACITOR VALUES ARE IN μ F, 50V;
 INDUCTOR VALUES ARE IN mH
 UNLESS OTHERWISE NOTED.

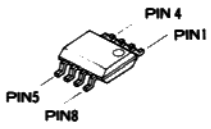
| REF. | YAESU P/N | DESCRIPTION | MFGR'S DESIG | VALUE | WV | TOL. | VERS. |
|--------|-----------|--------------------|------------------|---------|------|------|---------|
| | CS0972002 | P.C.B. W COMP. | | | | | DST EXP |
| | CS0972003 | P.C.B. W COMP. | | | | | DST USA |
| | F3172101C | | | | | | |
| BT4001 | Q9000552 | LITHIUM BATTERY | CR2016-TS1 | | | | |
| C 4001 | K22174809 | CHIP CAP. | GRM39B102M50PT | 0.001uF | 50V | B | |
| C 4002 | K22144803 | CHIP CAP. | GRM39B103K25PT | 0.01uF | 25V | B | |
| C 4003 | K22140811 | CHIP CAP. | GRM40B104M25PT | 0.1uF | 25V | B | |
| C 4004 | K78120011 | TANTALUM CHIP CAP. | TESVC1C106M12R | 10uF | 16V | | |
| C 4005 | K22174809 | CHIP CAP. | GRM39B102M50PT | 0.001uF | 50V | B | |
| C 4006 | K22174809 | CHIP CAP. | GRM39B102M50PT | 0.001uF | 50V | B | |
| C 4007 | K78080019 | TANTALUM CHIP CAP. | TEMSVB20J106M-8R | 10uF | 6.3V | | |
| C 4008 | K78120011 | TANTALUM CHIP CAP. | TESVC1C106M12R | 10uF | 16V | | |
| C 4009 | K78080019 | TANTALUM CHIP CAP. | TEMSVB20J106M-8R | 10uF | 6.3V | | |
| C 4010 | K78120009 | TANTALUM CHIP CAP. | TESVA1C105M1-8R | 1uF | 16V | | |
| C 4011 | K22174809 | CHIP CAP. | GRM39B102M50PT | 0.001uF | 50V | B | |
| C 4013 | K22174809 | CHIP CAP. | GRM39B102M50PT | 0.001uF | 50V | B | |
| C 4014 | K78080019 | TANTALUM CHIP CAP. | TEMSVB20J106M-8R | 10uF | 6.3V | | |
| C 4015 | K22140811 | CHIP CAP. | GRM40B104M25PT | 0.1uF | 25V | B | |
| C 4016 | K22174223 | CHIP CAP. | GRM39CH330J50PT | 33pF | 50V | CH | |
| C 4017 | K22174223 | CHIP CAP. | GRM39CH330J50PT | 33pF | 50V | CH | |
| C 4018 | K22174809 | CHIP CAP. | GRM39B102M50PT | 0.001uF | 50V | B | |
| C 4019 | K78120009 | TANTALUM CHIP CAP. | TESVA1C105M1-8R | 1uF | 16V | | |
| C 4020 | K22144803 | CHIP CAP. | GRM39B103K25PT | 0.01uF | 25V | B | |
| C 4021 | K22144803 | CHIP CAP. | GRM39B103K25PT | 0.01uF | 25V | B | |
| C 4022 | K78120015 | TANTALUM CHIP CAP. | TEMSVA1C225M-8R | 2.2uF | 16V | | |
| C 4024 | K22140811 | CHIP CAP. | GRM40B104M25PT | 0.1uF | 25V | B | |
| C 4025 | K22140811 | CHIP CAP. | GRM40B104M25PT | 0.1uF | 25V | B | |
| C 4027 | K22174809 | CHIP CAP. | GRM39B102M50PT | 0.001uF | 50V | B | |
| C 4028 | K78120002 | TANTALUM CHIP CAP. | F951C225MSAAF1Q2 | 2.2uF | 16V | | |
| C 4029 | K78080019 | TANTALUM CHIP CAP. | TEMSVB20J106M-8R | 10uF | 6.3V | | |
| C 4030 | K22174809 | CHIP CAP. | GRM39B102M50PT | 0.001uF | 50V | B | |
| C 4031 | K22174809 | CHIP CAP. | GRM39B102M50PT | 0.001uF | 50V | B | |
| C 4032 | K22174809 | CHIP CAP. | GRM39B102M50PT | 0.001uF | 50V | B | |
| C 4033 | K22174809 | CHIP CAP. | GRM39B102M50PT | 0.001uF | 50V | B | |
| C 4034 | K22174809 | CHIP CAP. | GRM39B102M50PT | 0.001uF | 50V | B | |
| C 4035 | K22174809 | CHIP CAP. | GRM39B102M50PT | 0.001uF | 50V | B | |
| C 4037 | K22174809 | CHIP CAP. | GRM39B102M50PT | 0.001uF | 50V | B | |
| C 4038 | K22174235 | CHIP CAP. | GRM39CH101J50PT | 100pF | 50V | CH | |
| C 4039 | K22174235 | CHIP CAP. | GRM39CH101J50PT | 100pF | 50V | CH | |
| C 4040 | K22174235 | CHIP CAP. | GRM39CH101J50PT | 100pF | 50V | CH | |
| C 4041 | K22174809 | CHIP CAP. | GRM39B102M50PT | 0.001uF | 50V | B | |
| C 4047 | K22140811 | CHIP CAP. | GRM40B104M25PT | 0.1uF | 25V | B | |
| C 4048 | K22140811 | CHIP CAP. | GRM40B104M25PT | 0.1uF | 25V | B | |
| C 4049 | K22140811 | CHIP CAP. | GRM40B104M25PT | 0.1uF | 25V | B | |
| C 4050 | K22144803 | CHIP CAP. | GRM39B103K25PT | 0.01uF | 25V | B | |
| C04001 | H7900620 | CERAMIC OSC | CSA9.83MT | | | | |
| CS4001 | G9090056 | CDS | P2137-01 | | | | |
| D 4001 | G2070009 | DIODE | 1SS184 TE85R | | | | |

| REF. | YAESU P/N | DESCRIPTION | MFR'S DESIG | VALUE | WV | TOL. | VERS. |
|--------|-----------|-------------|-----------------|-------|----|-------|---------|
| D 4002 | G2070080 | DIODE | 1SS319 TE85R | | | | |
| D 4003 | G2070009 | DIODE | 1SS184 TE85R | | | | |
| D 4005 | G2070086 | DIODE | 1SS301 TE85R | | | | |
| D 4007 | G2070088 | DIODE | 1SS302 TE85R | | | | |
| D 4008 | G2070088 | DIODE | 1SS302 TE85R | | | | |
| DS4001 | G6090088 | LCD | FTD-8E51AB | | | | DST EXP |
| DS4001 | G6090088 | LCD | FTD-8E51AB | | | | DST USA |
| J 4001 | P0090742 | CONNECTOR | FM214-8SMPT-1 | | | | |
| JP4006 | JP3 | | | | | | |
| PL4001 | Q1000065 | LAMP | 9V | | 9V | | |
| PL4002 | Q1000065 | LAMP | 9V | | 9V | | |
| PL4003 | Q1000065 | LAMP | 9V | | 9V | | |
| Q 4002 | G1090922 | IC | RH5VA45AA-T2 | | | | |
| Q 4003 | G1091144 | IC | NJU7201U50 TE2 | | | | |
| Q 4004 | G3070061 | TRANSISTOR | FMG4 T148 | | | | |
| Q 4005 | G1090589 | IC | NJM2904M | | | | |
| Q 4006 | G3206247D | TRANSISTOR | 2SB624-T2B BV4 | | | | |
| Q 4008 | G3070026 | TRANSISTOR | IMD2 T108 | | | | |
| Q 4009 | G1090887 | IC | NJM78L05UA | | | | |
| Q 4010 | G3070025 | TRANSISTOR | IMZ1 T108 | | | | |
| Q 4011 | G3070063 | TRANSISTOR | 2SB1182-TLQ | | | | |
| Q 4012 | G3111627G | TRANSISTOR | 2SA1162GR TE85R | | | | |
| Q 4013 | G1091145 | IC | M51953AFP-32A | | | | |
| Q 4014 | G3070009 | TRANSISTOR | FMW1 T98 | | | | |
| Q 4015 | G3070034 | TRANSISTOR | DTC124EK T97 | | | | |
| Q 4016 | G1091134 | IC | HD6433308A21F | | | | |
| Q 4017 | G1091135 | IC | HD61602RH | | | | |
| R 4001 | J24185103 | CHIP RES. | RMC1/16 103JATP | 10K | | 1/16W | |
| R 4002 | J24185183 | CHIP RES. | RMC1/16 183JATP | 18K | | 1/16W | |
| R 4003 | J24185103 | CHIP RES. | RMC1/16 103JATP | 10K | | 1/16W | |
| R 4004 | J24185122 | CHIP RES. | RMC1/16 122JATP | 1.2K | | 1/16W | |
| R 4005 | J24185103 | CHIP RES. | RMC1/16 103JATP | 10K | | 1/16W | |
| R 4006 | J24205332 | CHIP RES. | RMC1/10T 332J | 3.3K | | 1/10W | |
| R 4008 | J24185000 | CHIP RES. | RMC1/16 000JATP | 0 | | 1/16W | |
| R 4009 | J24185822 | CHIP RES. | RMC1/16 822JATP | 8.2K | | 1/16W | |
| R 4010 | J24185394 | CHIP RES. | RMC1/16 394JATP | 390K | | 1/16W | |
| R 4011 | J24205332 | CHIP RES. | RMC1/10T 332J | 3.3K | | 1/10W | |
| R 4012 | J24185472 | CHIP RES. | RMC1/16 472JATP | 4.7K | | 1/16W | |
| R 4013 | J24185104 | CHIP RES. | RMC1/16 104JATP | 100K | | 1/16W | |
| R 4014 | J24185104 | CHIP RES. | RMC1/16 104JATP | 100K | | 1/16W | |
| R 4016 | J24185472 | CHIP RES. | RMC1/16 472JATP | 4.7K | | 1/16W | |
| R 4017 | J24185000 | CHIP RES. | RMC1/16 000JATP | 0 | | 1/16W | |
| R 4018 | J24185104 | CHIP RES. | RMC1/16 104JATP | 100K | | 1/16W | |
| R 4021 | J24185473 | CHIP RES. | RMC1/16 473JATP | 47K | | 1/16W | |
| R 4022 | J24185102 | CHIP RES. | RMC1/16 102JATP | 1K | | 1/16W | |
| R 4023 | J24185104 | CHIP RES. | RMC1/16 104JATP | 100K | | 1/16W | |
| R 4025 | J24185472 | CHIP RES. | RMC1/16 472JATP | 4.7K | | 1/16W | |
| R 4026 | J24185224 | CHIP RES. | RMC1/16 224JATP | 220K | | 1/16W | |

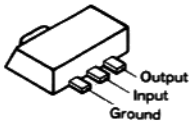
| REF. | YAESU P/N | DESCRIPTION | MFR'S DESIG | VALUE | WV | TOL. | VERS. |
|--------|-----------|-------------|-----------------|-------|-------|------|-------|
| R 4027 | J24185471 | CHIP RES. | RMC1/16 471JATP | 470 | 1/16W | | |
| R 4028 | J24185102 | CHIP RES. | RMC1/16 102JATP | 1K | 1/16W | | |
| R 4029 | J24205220 | CHIP RES. | RMC1/10T 220J | 22 | 1/10W | | |
| R 4030 | J24205220 | CHIP RES. | RMC1/10T 220J | 22 | 1/10W | | |
| R 4031 | J24185105 | CHIP RES. | RMC1/16 105JATP | 1M | 1/16W | | |
| R 4032 | J24205220 | CHIP RES. | RMC1/10T 220J | 22 | 1/10W | | |
| R 4033 | J24185103 | CHIP RES. | RMC1/16 103JATP | 10K | 1/16W | | |
| R 4034 | J24185223 | CHIP RES. | RMC1/16 223JATP | 22K | 1/16W | | |
| R 4035 | J24185103 | CHIP RES. | RMC1/16 103JATP | 10K | 1/16W | | |
| R 4036 | J24185393 | CHIP RES. | RMC1/16 393JATP | 39K | 1/16W | | |
| R 4037 | J24185823 | CHIP RES. | RMC1/16 823JATP | 82K | 1/16W | | |
| R 4038 | J24185103 | CHIP RES. | RMC1/16 103JATP | 10K | 1/16W | | |
| R 4039 | J24185103 | CHIP RES. | RMC1/16 103JATP | 10K | 1/16W | | |
| R 4040 | J24185104 | CHIP RES. | RMC1/16 104JATP | 100K | 1/16W | | |
| R 4041 | J24185104 | CHIP RES. | RMC1/16 104JATP | 100K | 1/16W | | |
| R 4042 | J24185223 | CHIP RES. | RMC1/16 223JATP | 22K | 1/16W | | |
| R 4043 | J24185224 | CHIP RES. | RMC1/16 224JATP | 220K | 1/16W | | |
| R 4044 | J24185223 | CHIP RES. | RMC1/16 223JATP | 22K | 1/16W | | |
| R 4045 | J24185225 | CHIP RES. | RMC1/16 225JATP | 2.2M | 1/16W | | |
| R 4046 | J24185102 | CHIP RES. | RMC1/16 102JATP | 1K | 1/16W | | |
| R 4047 | J24185102 | CHIP RES. | RMC1/16 102JATP | 1K | 1/16W | | |
| R 4048 | J24185102 | CHIP RES. | RMC1/16 102JATP | 1K | 1/16W | | |
| R 4049 | J24185102 | CHIP RES. | RMC1/16 102JATP | 1K | 1/16W | | |
| R 4050 | J24185105 | CHIP RES. | RMC1/16 105JATP | 1M | 1/16W | | |
| R 4051 | J24185222 | CHIP RES. | RMC1/16 222JATP | 2.2K | 1/16W | | |
| R 4052 | J24185103 | CHIP RES. | RMC1/16 103JATP | 10K | 1/16W | | |
| R 4053 | J24185103 | CHIP RES. | RMC1/16 103JATP | 10K | 1/16W | | |
| R 4054 | J24185334 | CHIP RES. | RMC1/16 334JATP | 330K | 1/16W | | |
| R 4055 | J24185104 | CHIP RES. | RMC1/16 104JATP | 100K | 1/16W | | |
| R 4056 | J24185822 | CHIP RES. | RMC1/16 822JATP | 8.2K | 1/16W | | |
| R 4057 | J24185392 | CHIP RES. | RMC1/16 392JATP | 3.9K | 1/16W | | |
| R 4058 | J24185222 | CHIP RES. | RMC1/16 222JATP | 2.2K | 1/16W | | |
| R 4059 | J24185102 | CHIP RES. | RMC1/16 102JATP | 1K | 1/16W | | |
| R 4060 | J24185104 | CHIP RES. | RMC1/16 104JATP | 100K | 1/16W | | |
| R 4061 | J24245101 | CHIP RES. | RMC1/4 101JATP | 100 | 1/4W | | |
| R 4062 | J24185000 | CHIP RES. | RMC1/16 000JATP | 0 | 1/16W | | |
| R 4063 | J24185000 | CHIP RES. | RMC1/16 000JATP | 0 | 1/16W | | |
| R 4064 | J24185000 | CHIP RES. | RMC1/16 000JATP | 0 | 1/16W | | |
| R 4065 | J24185000 | CHIP RES. | RMC1/16 000JATP | 0 | 1/16W | | |
| R 4066 | J24185000 | CHIP RES. | RMC1/16 000JATP | 0 | 1/16W | | |
| R 4067 | J24185472 | CHIP RES. | RMC1/16 472JATP | 4.7K | 1/16W | | |
| R 4068 | J24185102 | CHIP RES. | RMC1/16 102JATP | 1K | 1/16W | | |
| R 4069 | J24205101 | CHIP RES. | RMC1/10T 101J | 100 | 1/10W | | |
| R 4070 | J24185473 | CHIP RES. | RMC1/16 473JATP | 47K | 1/16W | | |
| R 4071 | J24185473 | CHIP RES. | RMC1/16 473JATP | 47K | 1/16W | | |
| R 4072 | J24185183 | CHIP RES. | RMC1/16 183JATP | 18K | 1/16W | | |
| R 4073 | J24185225 | CHIP RES. | RMC1/16 225JATP | 2.2M | 1/16W | | |
| R 4074 | J24185225 | CHIP RES. | RMC1/16 225JATP | 2.2M | 1/16W | | |
| R 4075 | J24185222 | CHIP RES. | RMC1/16 222JATP | 2.2K | 1/16W | | |
| R 4076 | J24185222 | CHIP RES. | RMC1/16 222JATP | 2.2K | 1/16W | | |
| R 4077 | J24185102 | CHIP RES. | RMC1/16 102JATP | 1K | 1/16W | | |
| R 4078 | J24185102 | CHIP RES. | RMC1/16 102JATP | 1K | 1/16W | | |
| R 4079 | J24185103 | CHIP RES. | RMC1/16 103JATP | 10K | 1/16W | | |
| R 4080 | J24185103 | CHIP RES. | RMC1/16 103JATP | 10K | 1/16W | | |

| REF. | YAESU P/N | DESCRIPTION | MFGR'S DESIG | VALUE | NV | TOL. | VERS. |
|--------|-----------|------------------|---------------|-------|----|------|-------|
| S 4001 | N5090027 | TACT SWITCH | SKHLAB | | | | |
| S 4002 | N5090027 | TACT SWITCH | SKHLAB | | | | |
| S 4003 | N5090027 | TACT SWITCH | SKHLAB | | | | |
| S 4004 | N5090027 | TACT SWITCH | SKHLAB | | | | |
| S 4005 | N5090027 | TACT SWITCH | SKHLAB | | | | |
| S 4006 | N5090027 | TACT SWITCH | SKHLAB | | | | |
| S 4007 | N5090027 | TACT SWITCH | SKHLAB | | | | |
| S 4008 | Q9000395 | ROTARY ENCODER | EVQ-WWNF1524B | | | | |
| S 4009 | N5090027 | TACT SWITCH | SKHLAB | | | | |
| S 4010 | N5090027 | TACT SWITCH | SKHLAB | | | | |
| S 4011 | N5090027 | TACT SWITCH | SKHLAB | | | | |
| S 4012 | N5090027 | TACT SWITCH | SKHLAB | | | | |
| S 4013 | N5090027 | TACT SWITCH | SKHLAB | | | | |
| S 4014 | N5090051 | TACT SWITCH | SKQDAA | | | | |
| VR4001 | J60800171 | POT. | K091COG05 | 20K | | | B |
| VR4002 | J60800143 | POT. | RK09K1130 | 20K | | | B |
| VR4003 | J60800143 | POT. | RK09K1130 | 20K | | | B |
| | S2000032 | RUBBER CONDUCTOR | 85.5X10.9X1.5 | | | | |
| | S6000242 | LED SPACER | LH-5-9 | | | | |
| | R0138710 | METAL HOLDER | | | | | |
| | R3136520 | LAMP GUIDE | | | | | |
| | R7118750 | SPONGE RUBBER | | | | | |
| | R7138420 | SHEET | | | | | |
| | R7138430 | FIBER | | | | | |

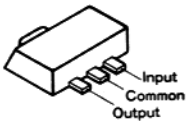
CNTL UNIT F3172101C



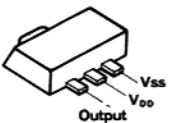
M51953AFP (Q4013)
NJM2904M (Q4005)



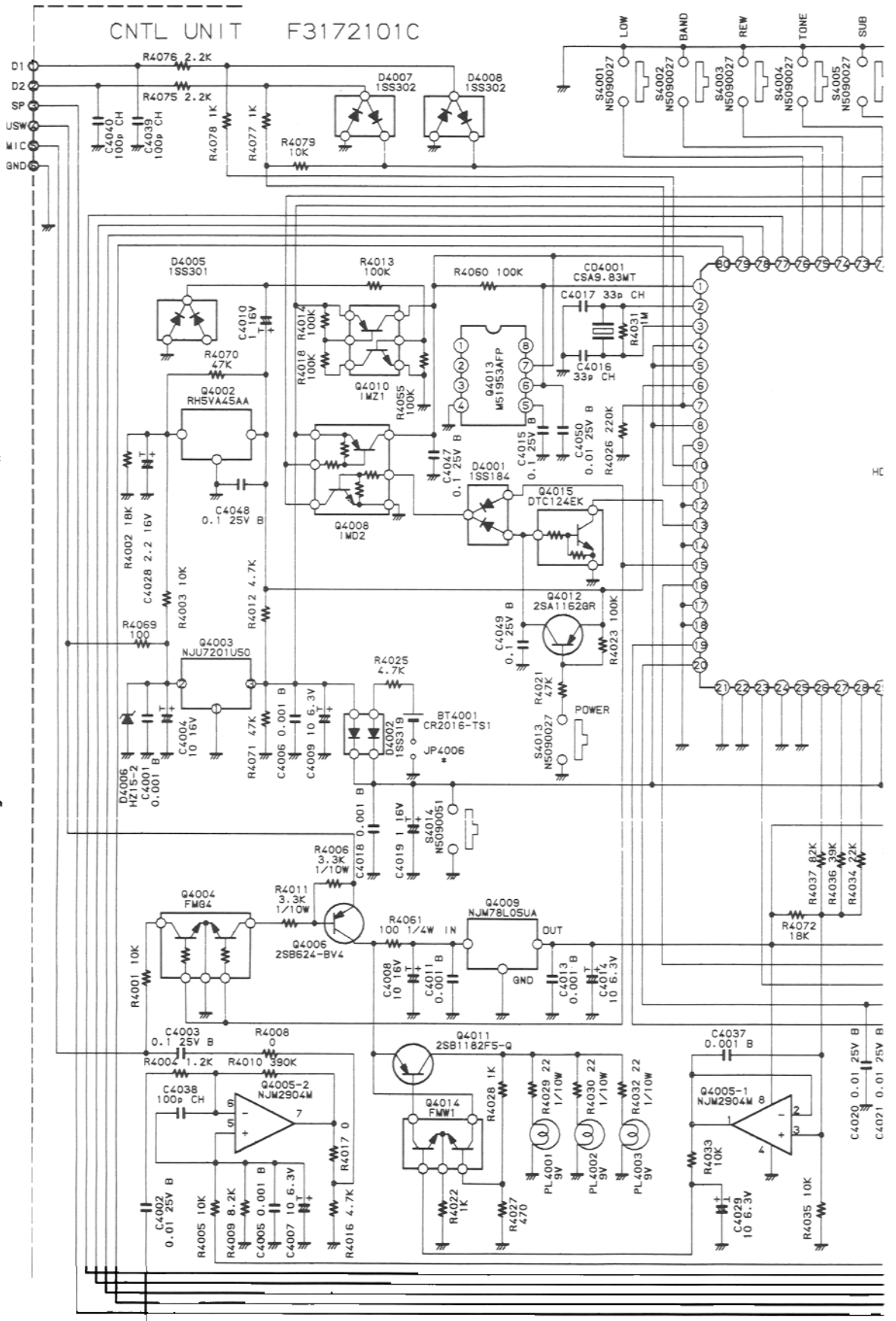
NJU7201U50 (J1) (Q4003)

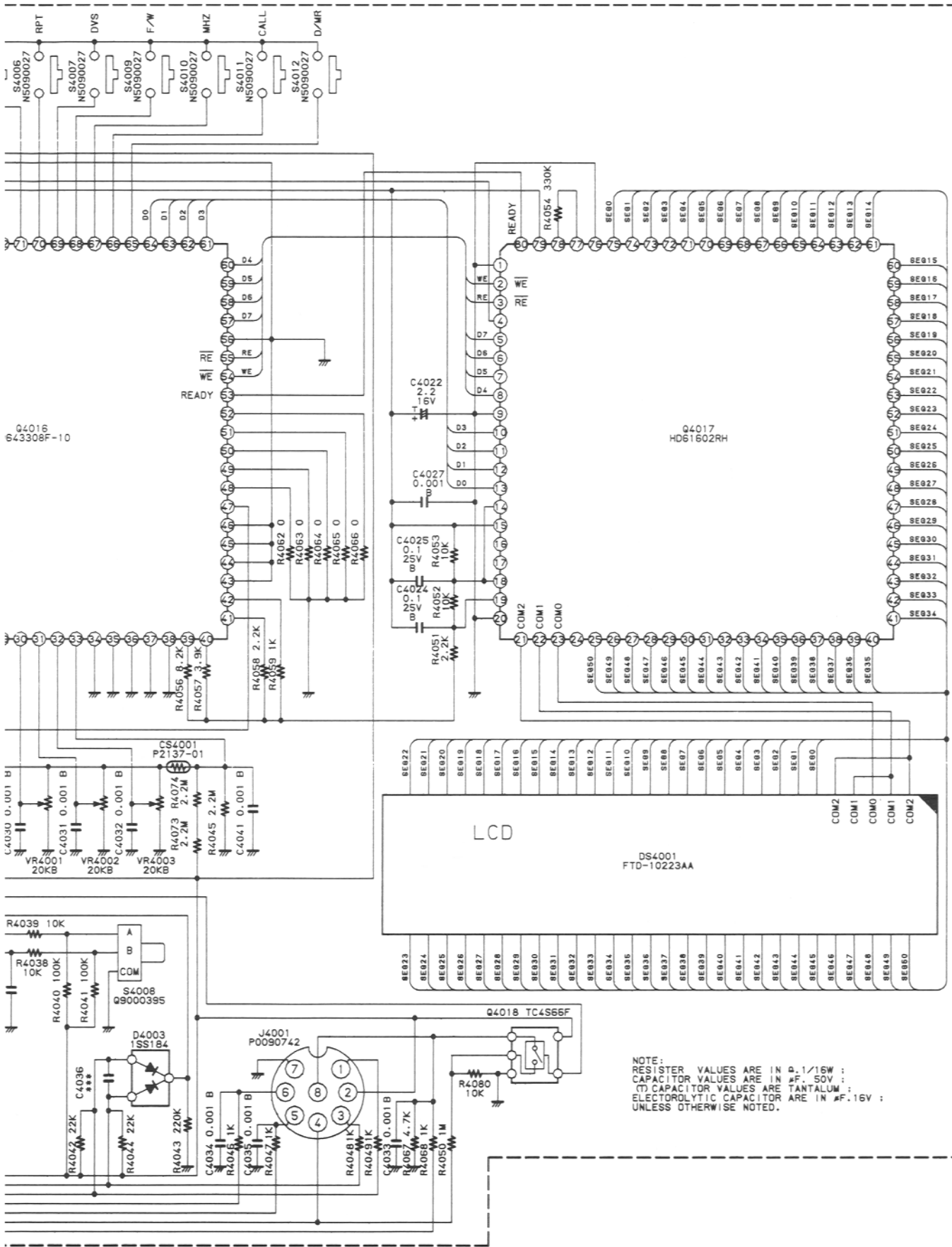


NJU78L05UA (8C) (Q4009)



RH5VA45AA (D5) (Q4002)





NOTE:
 RESISTOR VALUES ARE IN Ω , 1/16W ;
 CAPACITOR VALUES ARE IN μ F, .50V ;
 ∇ CAPACITOR VALUES ARE TANTALUM ;
 ELECTROLYTIC CAPACITOR ARE IN μ F, 16V ;
 UNLESS OTHERWISE NOTED.

| REF. | YAESU P/N | DESCRIPTION | MFR'S DESIG | VALUE | WV | TOL. | VERS. |
|--------|-----------|--------------------|------------------|---------|------|------|--------|
| | CA0274005 | P. C. B. W COMP. | | | | | TYP A1 |
| | CA0274006 | P. C. B. W COMP. | | | | | TYP A2 |
| | CA0274007 | P. C. B. W COMP. | | | | | TYP A3 |
| | CA0274008 | P. C. B. W COMP. | | | | | TYP B1 |
| | CA0274009 | P. C. B. W COMP. | | | | | TYP B2 |
| | CA0274010 | P. C. B. W COMP. | | | | | TYP B3 |
| | CA0274011 | P. C. B. W COMP. | | | | | TYP B4 |
| | CA0274012 | P. C. B. W COMP. | | | | | TYP B5 |
| | CA0274013 | P. C. B. W COMP. | | | | | TYP C1 |
| | CA0274014 | P. C. B. W COMP. | | | | | TYP C2 |
| | CA0274015 | P. C. B. W COMP. | | | | | TYP C3 |
| | CA0274016 | P. C. B. W COMP. | | | | | TYP C4 |
| | CA0274017 | P. C. B. W COMP. | | | | | TYP C5 |
| | CA0274018 | P. C. B. W COMP. | | | | | TYP D |
| | CA0274019 | P. C. B. W COMP. | | | | | TYP H1 |
| | CA0274020 | P. C. B. W COMP. | | | | | TYP H2 |
| | CA0274021 | P. C. B. W COMP. | | | | | TYP H3 |
| | CA0274022 | P. C. B. W COMP. | | | | | TYP H4 |
| | CA0274023 | P. C. B. W COMP. | | | | | TYP H5 |
| | F3171101C | P. C. B. | | | | | |
| C 5001 | K22140807 | CHIP CAP. | GRM40B223M25PT | 0.022uF | 25V | B | |
| C 5003 | K22141809 | CHIP CAP. | GRM42-6B104M25PT | 0.1uF | 25V | B | |
| C 5004 | K78120009 | TANTALUM CHIP CAP. | TESVA1C105M1-8R | 1uF | 16V | | |
| C 5005 | K78120009 | TANTALUM CHIP CAP. | TESVA1C105M1-8R | 1uF | 16V | | |
| C 5006 | K22174809 | CHIP CAP. | GRM39B102M50PT | 0.001uF | 50V | B | |
| C 5007 | K22174809 | CHIP CAP. | GRM39B102M50PT | 0.001uF | 50V | B | |
| C 5008 | K78120009 | TANTALUM CHIP CAP. | TESVA1C105M1-8R | 1uF | 16V | | |
| C 5009 | K78120009 | TANTALUM CHIP CAP. | TESVA1C105M1-8R | 1uF | 16V | | |
| C 5010 | K22140807 | CHIP CAP. | GRM40B223M25PT | 0.022uF | 25V | B | |
| C 5011 | K22144803 | CHIP CAP. | GRM39B103K25PT | 0.01uF | 25V | B | |
| C 5012 | K78080019 | TANTALUM CHIP CAP. | TEMSVB20J106M-8R | 10uF | 6.3V | | |
| C 5013 | K22174809 | CHIP CAP. | GRM39B102M50PT | 0.001uF | 50V | B | |
| C 5014 | K22174809 | CHIP CAP. | GRM39B102M50PT | 0.001uF | 50V | B | |
| C 5015 | K78120011 | TANTALUM CHIP CAP. | TESVC1C106M12R | 10uF | 16V | | |
| C 5016 | K22174809 | CHIP CAP. | GRM39B102M50PT | 0.001uF | 50V | B | |
| C 5017 | K78120016 | TANTALUM CHIP CAP. | TEMSVB21C475M-8R | 4.7uF | 16V | | |
| C 5018 | K78120016 | TANTALUM CHIP CAP. | TEMSVB21C475M-8R | 4.7uF | 16V | | |
| C 5019 | K22174809 | CHIP CAP. | GRM39B102M50PT | 0.001uF | 50V | B | |
| C 5020 | K22141809 | CHIP CAP. | GRM42-6B104M25PT | 0.1uF | 25V | B | |
| C 5021 | K22174235 | CHIP CAP. | GRM39CH101J50PT | 100pF | 50V | CH | |
| C 5022 | K22144802 | CHIP CAP. | GRM39B103M25PT | 0.01uF | 25V | B | |
| C 5023 | K22140807 | CHIP CAP. | GRM40B223M25PT | 0.022uF | 25V | B | |
| C 5024 | K22174235 | CHIP CAP. | GRM39CH101J50PT | 100pF | 50V | CH | |
| C 5025 | K22140811 | CHIP CAP. | GRM40B104M25PT | 0.1uF | 25V | B | |
| C 5026 | K22141809 | CHIP CAP. | GRM42-6B104M25PT | 0.1uF | 25V | B | |
| C 5027 | K22140811 | CHIP CAP. | GRM40B104M25PT | 0.1uF | 25V | B | |
| C 5028 | K78080011 | TANTALUM CHIP CAP. | TESVCOJ226M12R | 22uF | 6.3V | | |
| C 5029 | K22141809 | CHIP CAP. | GRM42-6B104M25PT | 0.1uF | 25V | B | |
| C 5030 | K22144802 | CHIP CAP. | GRM39B103M25PT | 0.01uF | 25V | B | |
| C 5031 | K22174809 | CHIP CAP. | GRM39B102M50PT | 0.001uF | 50V | B | |
| C 5032 | K78140013 | TANTALUM CHIP CAP. | TEMSVA1E105M-8R | 1uF | 25V | | |
| C 5033 | K22144802 | CHIP CAP. | GRM39B103M25PT | 0.01uF | 25V | B | |

| REF. | YAESU P/N | DESCRIPTION | MFGR'S DESIG | VALUE | WV | TOL. | VERS. |
|--------|-----------|--------------------|------------------|---------|------|------|-------|
| C 5034 | K22174243 | CHIP CAP. | GRM39CH221J50PT | 220pF | 50V | CH | |
| C 5035 | K22174809 | CHIP CAP. | GRM39B102M50PT | 0.001uF | 50V | B | |
| C 5036 | K22174809 | CHIP CAP. | GRM39B102M50PT | 0.001uF | 50V | B | |
| C 5037 | K22141809 | CHIP CAP. | GRM42-6B104M25PT | 0.1uF | 25V | B | |
| C 5038 | K22144802 | CHIP CAP. | GRM39B103M25PT | 0.01uF | 25V | B | |
| C 5039 | K22141809 | CHIP CAP. | GRM42-6B104M25PT | 0.1uF | 25V | B | |
| C 5040 | K78140013 | TANTALUM CHIP CAP. | TEMSVA1E105M-8R | 1uF | 25V | | |
| C 5041 | K22141809 | CHIP CAP. | GRM42-6B104M25PT | 0.1uF | 25V | B | |
| C 5042 | K22144802 | CHIP CAP. | GRM39B103M25PT | 0.01uF | 25V | B | |
| C 5043 | K22174809 | CHIP CAP. | GRM39B102M50PT | 0.001uF | 50V | B | |
| C 5044 | K22141809 | CHIP CAP. | GRM42-6B104M25PT | 0.1uF | 25V | B | |
| C 5045 | K22141809 | CHIP CAP. | GRM42-6B104M25PT | 0.1uF | 25V | B | |
| C 5046 | K78120011 | TANTALUM CHIP CAP. | TESVC1C106M12R | 10uF | 16V | | |
| C 5047 | K22174809 | CHIP CAP. | GRM39B102M50PT | 0.001uF | 50V | B | |
| C 5048 | K22174223 | CHIP CAP. | GRM39CH330J50PT | 33pF | 50V | CH | |
| C 5049 | K22174223 | CHIP CAP. | GRM39CH330J50PT | 33pF | 50V | CH | |
| C 5050 | K22174809 | CHIP CAP. | GRM39B102M50PT | 0.001uF | 50V | B | |
| C 5051 | K22141809 | CHIP CAP. | GRM42-6B104M25PT | 0.1uF | 25V | B | |
| C 5052 | K70167105 | TANTALUM CAP. | DN1V010M1S | 1uF | 35V | | |
| C 5060 | K78120011 | TANTALUM CHIP CAP. | TESVC1C106M12R | 10uF | 16V | | |
| C 5061 | K22174809 | CHIP CAP. | GRM39B102M50PT | 0.001uF | 50V | B | |
| C 5062 | K22174809 | CHIP CAP. | GRM39B102M50PT | 0.001uF | 50V | B | |
| C 5064 | K78140013 | TANTALUM CHIP CAP. | TEMSVA1E105M-8R | 1uF | 25V | | |
| C 5066 | K22174809 | CHIP CAP. | GRM39B102M50PT | 0.001uF | 50V | B | |
| C 5092 | K78080017 | TANTALUM CHIP CAP. | TEMSVA0J475M-8R | 4.7uF | 6.3V | | |
| C 5093 | K22174809 | CHIP CAP. | GRM39B102M50PT | 0.001uF | 50V | B | |
| C 5094 | K22174809 | CHIP CAP. | GRM39B102M50PT | 0.001uF | 50V | B | |
| C 5095 | K22174809 | CHIP CAP. | GRM39B102M50PT | 0.001uF | 50V | B | |
| C 5096 | K22174809 | CHIP CAP. | GRM39B102M50PT | 0.001uF | 50V | B | |
| C 5097 | K22174809 | CHIP CAP. | GRM39B102M50PT | 0.001uF | 50V | B | |
| C 5098 | K78120010 | TANTALUM CHIP CAP. | TESVB21C335M8R | 3.3uF | 16V | | |
| C 5099 | K22174809 | CHIP CAP. | GRM39B102M50PT | 0.001uF | 50V | B | |
| C 5101 | K78140009 | TANTALUM CHIP CAP. | TESVA1E474M1-8R | 0.47uF | 25V | | |
| C 5102 | K78080019 | TANTALUM CHIP CAP. | TEMSVB20J106M-8R | 10uF | 6.3V | | |
| C 5103 | K78080019 | TANTALUM CHIP CAP. | TEMSVB20J106M-8R | 10uF | 6.3V | | |
| C05001 | H7900620 | CERAMIC OSC | CSA9.83MT | | | | |
| D 5001 | G2070120 | DIODE | IMP11 T110 | | | | |
| D 5002 | G2070120 | DIODE | IMP11 T110 | | | | |
| D 5003 | G2070120 | DIODE | IMP11 T110 | | | | |
| D 5004 | G2070120 | DIODE | IMP11 T110 | | | | |
| D 5005 | G2070120 | DIODE | IMP11 T110 | | | | |
| D 5006 | G2070003 | DIODE | 1SS226 TE85R | | | | |
| D 5007 | G2070003 | DIODE | 1SS226 TE85R | | | | |
| D 5008 | G2060004 | DIODE | 1SS270TJ | | | | |
| D 5009 | G2060004 | DIODE | 1SS270TJ | | | | |
| J 5002 | P0090650 | CONNECTOR | B8B-ZR | | | | |
| J 5003 | P0090649 | CONNECTOR | B7B-ZR | | | | |
| J 5004 | P0090648 | CONNECTOR | B3B-ZR | | | | |
| J 5005 | P0090782 | CONNECTOR | B12B-ZR | | | | |
| J 5006 | P0090772 | CONNECTOR | 5532-26A | | | | |
| J 5007 | P0090604 | CONNECTOR | 5532-14A | | | | |

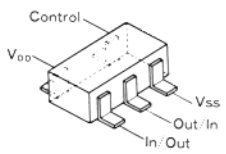
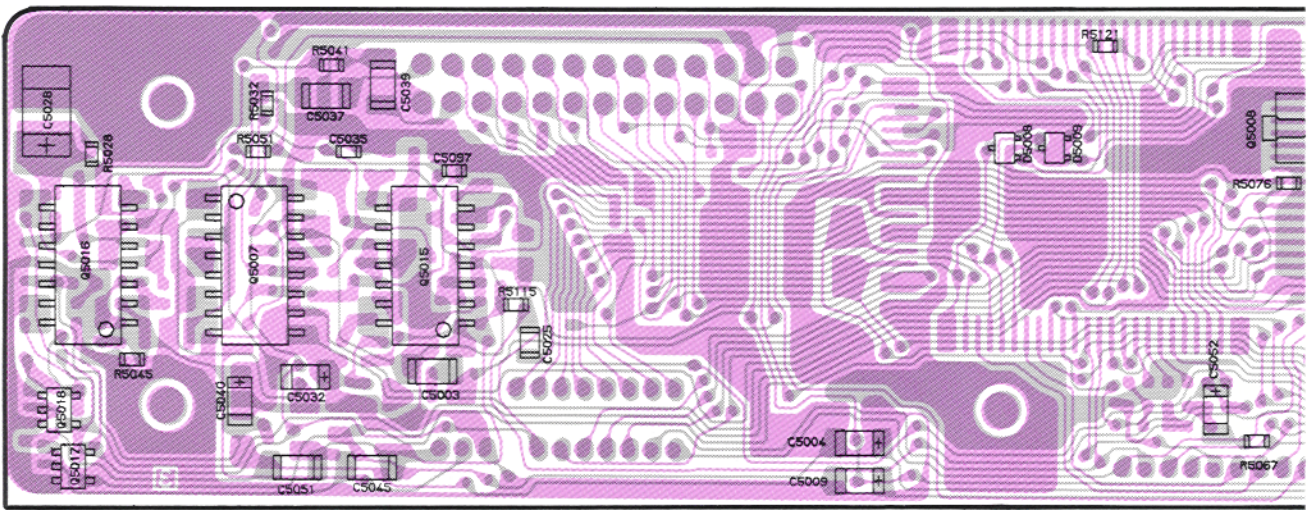
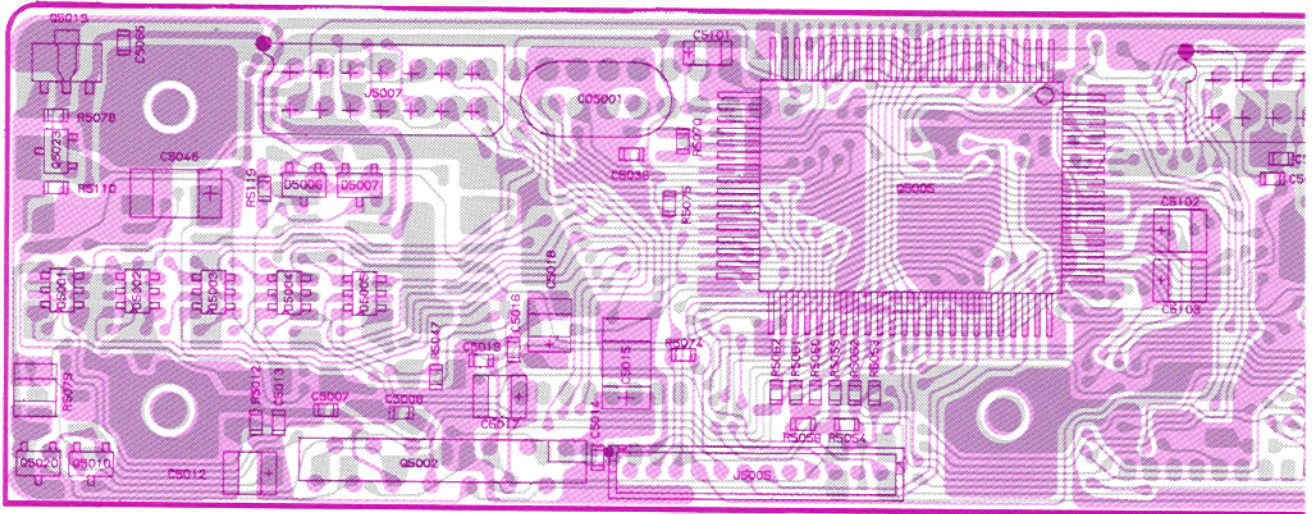
| REF. | YAESU P/N | DESCRIPTION | MFRG'S DESIG | VALUE | WV | TOL. | VERS. |
|--------|-----------|-------------|-----------------|-------|----|-------|-------|
| Q 5002 | G1090854 | IC | M51523AL | | | | |
| Q 5005 | G1091136 | IC | M37450M2-***FP | | | | |
| Q 5006 | G1091137 | IC | UPD4028BG-T2 | | | | |
| Q 5007 | G1091033 | IC | UPD4052BG-T2 | | | | |
| Q 5008 | G1091131 | IC | M51951AML-301 | | | | |
| Q 5009 | G3112137Y | TRANSISTOR | 2SA1213Y TE12R | | | | |
| Q 5010 | G3070047 | TRANSISTOR | DTA114EK T97 | | | | |
| Q 5015 | G1090908 | IC | NJM2902M | | | | |
| Q 5016 | G1090908 | IC | NJM2902M | | | | |
| Q 5017 | G1090893 | IC | TC4S66F TE85R | | | | |
| Q 5018 | G1090893 | IC | TC4S66F TE85R | | | | |
| Q 5019 | G3112137Y | TRANSISTOR | 2SA1213Y TE12R | | | | |
| Q 5020 | G3070047 | TRANSISTOR | DTA114EK T97 | | | | |
| Q 5023 | G3113437 | TRANSISTOR | 2SA1343-TA | | | | |
| | | | | | | | |
| R 5001 | J24185331 | CHIP RES. | RMC1/16 331JATP | 330 | | 1/16W | |
| R 5002 | J24185101 | CHIP RES. | RMC1/16 101JATP | 100 | | 1/16W | |
| R 5003 | J24185393 | CHIP RES. | RMC1/16 393JATP | 39K | | 1/16W | |
| R 5004 | J24185393 | CHIP RES. | RMC1/16 393JATP | 39K | | 1/16W | |
| R 5005 | J24185103 | CHIP RES. | RMC1/16 103JATP | 10K | | 1/16W | |
| R 5006 | J24185104 | CHIP RES. | RMC1/16 104JATP | 100K | | 1/16W | |
| R 5008 | J24185472 | CHIP RES. | RMC1/16 472JATP | 4.7K | | 1/16W | |
| R 5010 | J24185103 | CHIP RES. | RMC1/16 103JATP | 10K | | 1/16W | |
| R 5011 | J24185225 | CHIP RES. | RMC1/16 225JATP | 2.2M | | 1/16W | |
| R 5012 | J24185561 | CHIP RES. | RMC1/16 561JATP | 560 | | 1/16W | |
| R 5014 | J24185684 | CHIP RES. | RMC1/16 684JATP | 680K | | 1/16W | |
| R 5017 | J24185104 | CHIP RES. | RMC1/16 104JATP | 100K | | 1/16W | |
| R 5018 | J24185472 | CHIP RES. | RMC1/16 472JATP | 4.7K | | 1/16W | |
| R 5019 | J24185333 | CHIP RES. | RMC1/16 333JATP | 33K | | 1/16W | |
| R 5020 | J24185562 | CHIP RES. | RMC1/16 562JATP | 5.6K | | 1/16W | |
| R 5021 | J24185154 | CHIP RES. | RMC1/16 154JATP | 150K | | 1/16W | |
| R 5022 | J24185824 | CHIP RES. | RMC1/16 824JATP | 820K | | 1/16W | |
| R 5023 | J24185823 | CHIP RES. | RMC1/16 823JATP | 82K | | 1/16W | |
| R 5024 | J24185225 | CHIP RES. | RMC1/16 225JATP | 2.2M | | 1/16W | |
| R 5025 | J24185472 | CHIP RES. | RMC1/16 472JATP | 4.7K | | 1/16W | |
| R 5026 | J24185472 | CHIP RES. | RMC1/16 472JATP | 4.7K | | 1/16W | |
| R 5027 | J24185472 | CHIP RES. | RMC1/16 472JATP | 4.7K | | 1/16W | |
| R 5028 | J24185822 | CHIP RES. | RMC1/16 822JATP | 8.2K | | 1/16W | |
| R 5029 | J24185472 | CHIP RES. | RMC1/16 472JATP | 4.7K | | 1/16W | |
| R 5030 | J24185103 | CHIP RES. | RMC1/16 103JATP | 10K | | 1/16W | |
| R 5031 | J24185102 | CHIP RES. | RMC1/16 102JATP | 1K | | 1/16W | |
| R 5032 | J24185823 | CHIP RES. | RMC1/16 823JATP | 82K | | 1/16W | |
| R 5033 | J24185104 | CHIP RES. | RMC1/16 104JATP | 100K | | 1/16W | |
| R 5034 | J24185104 | CHIP RES. | RMC1/16 104JATP | 100K | | 1/16W | |
| R 5035 | J24185104 | CHIP RES. | RMC1/16 104JATP | 100K | | 1/16W | |
| R 5036 | J24185104 | CHIP RES. | RMC1/16 104JATP | 100K | | 1/16W | |
| R 5037 | J24185102 | CHIP RES. | RMC1/16 102JATP | 1K | | 1/16W | |
| R 5038 | J24185394 | CHIP RES. | RMC1/16 394JATP | 390K | | 1/16W | |
| R 5039 | J24185684 | CHIP RES. | RMC1/16 684JATP | 680K | | 1/16W | |
| R 5040 | J24185274 | CHIP RES. | RMC1/16 274JATP | 270K | | 1/16W | |
| R 5041 | J24185823 | CHIP RES. | RMC1/16 823JATP | 82K | | 1/16W | |
| R 5042 | J24185472 | CHIP RES. | RMC1/16 472JATP | 4.7K | | 1/16W | |
| R 5043 | J24185333 | CHIP RES. | RMC1/16 333JATP | 33K | | 1/16W | |

| REF. | YAESU P/N | DESCRIPTION | MFGR'S DESIG | VALUE | WV | TOL. | VERS. |
|--------|-----------|-------------|-----------------|-------|-------|------|-------|
| R 5044 | J24185562 | CHIP RES. | RMC1/16 562JATP | 5.6K | 1/16W | | |
| R 5045 | J24185472 | CHIP RES. | RMC1/16 472JATP | 4.7K | 1/16W | | |
| R 5046 | J24185472 | CHIP RES. | RMC1/16 472JATP | 4.7K | 1/16W | | |
| R 5047 | J24185223 | CHIP RES. | RMC1/16 223JATP | 22K | 1/16W | | |
| R 5048 | J24185225 | CHIP RES. | RMC1/16 225JATP | 2.2M | 1/16W | | |
| R 5049 | J24185223 | CHIP RES. | RMC1/16 223JATP | 22K | 1/16W | | |
| R 5050 | J24185472 | CHIP RES. | RMC1/16 472JATP | 4.7K | 1/16W | | |
| R 5051 | J24185333 | CHIP RES. | RMC1/16 333JATP | 33K | 1/16W | | |
| R 5052 | J24185225 | CHIP RES. | RMC1/16 225JATP | 2.2M | 1/16W | | |
| R 5053 | J24185473 | CHIP RES. | RMC1/16 473JATP | 47K | 1/16W | | |
| R 5054 | J24185000 | CHIP RES. | RMC1/16 000JATP | 0 | 1/16W | | |
| R 5055 | J24185105 | CHIP RES. | RMC1/16 105JATP | 1M | 1/16W | | |
| R 5056 | J24185103 | CHIP RES. | RMC1/16 103JATP | 10K | 1/16W | | |
| R 5057 | J24185225 | CHIP RES. | RMC1/16 225JATP | 2.2M | 1/16W | | |
| R 5058 | J24185472 | CHIP RES. | RMC1/16 472JATP | 4.7K | 1/16W | | |
| R 5059 | J24185000 | CHIP RES. | RMC1/16 000JATP | 0 | 1/16W | | |
| R 5060 | J24185474 | CHIP RES. | RMC1/16 474JATP | 470K | 1/16W | | |
| R 5061 | J24185000 | CHIP RES. | RMC1/16 000JATP | 0 | 1/16W | | |
| R 5062 | J24185224 | CHIP RES. | RMC1/16 224JATP | 220K | 1/16W | | |
| R 5063 | J24185472 | CHIP RES. | RMC1/16 472JATP | 4.7K | 1/16W | | |
| R 5064 | J24245471 | CHIP RES. | RMC1/4 471JATP | 470 | 1/4W | | |
| R 5065 | J24185103 | CHIP RES. | RMC1/16 103JATP | 10K | 1/16W | | |
| R 5066 | J24185225 | CHIP RES. | RMC1/16 225JATP | 2.2M | 1/16W | | |
| R 5067 | J24185104 | CHIP RES. | RMC1/16 104JATP | 100K | 1/16W | | |
| R 5068 | J24185472 | CHIP RES. | RMC1/16 472JATP | 4.7K | 1/16W | | |
| R 5070 | J24185105 | CHIP RES. | RMC1/16 105JATP | 1M | 1/16W | | |
| R 5071 | J24185331 | CHIP RES. | RMC1/16 331JATP | 330 | 1/16W | | |
| R 5074 | J24185223 | CHIP RES. | RMC1/16 223JATP | 22K | 1/16W | | |
| R 5075 | J24185104 | CHIP RES. | RMC1/16 104JATP | 100K | 1/16W | | |
| R 5076 | J24185104 | CHIP RES. | RMC1/16 104JATP | 100K | 1/16W | | |
| R 5078 | J24185472 | CHIP RES. | RMC1/16 472JATP | 4.7K | 1/16W | | |
| R 5079 | J24245471 | CHIP RES. | RMC1/4 471JATP | 470 | 1/4W | | |
| R 5080 | J24185104 | CHIP RES. | RMC1/16 104JATP | 100K | 1/16W | | |
| R 5081 | J24185104 | CHIP RES. | RMC1/16 104JATP | 100K | 1/16W | | |
| R 5086 | J24185000 | CHIP RES. | RMC1/16 000JATP | 0 | 1/16W | | |
| R 5087 | J24185000 | CHIP RES. | RMC1/16 000JATP | 0 | 1/16W | | |
| R 5088 | J24185000 | CHIP RES. | RMC1/16 000JATP | 0 | 1/16W | | |
| R 5089 | J24185000 | CHIP RES. | RMC1/16 000JATP | 0 | 1/16W | | |
| R 5090 | J24185000 | CHIP RES. | RMC1/16 000JATP | 0 | 1/16W | | |
| R 5091 | J24185000 | CHIP RES. | RMC1/16 000JATP | 0 | 1/16W | | |
| R 5092 | J24185000 | CHIP RES. | RMC1/16 000JATP | 0 | 1/16W | | |
| R 5093 | J24185000 | CHIP RES. | RMC1/16 000JATP | 0 | 1/16W | | |
| R 5094 | J24185000 | CHIP RES. | RMC1/16 000JATP | 0 | 1/16W | | |
| R 5095 | J24185000 | CHIP RES. | RMC1/16 000JATP | 0 | 1/16W | | |
| R 5096 | J24185000 | CHIP RES. | RMC1/16 000JATP | 0 | 1/16W | | |
| R 5097 | J24185000 | CHIP RES. | RMC1/16 000JATP | 0 | 1/16W | | |
| R 5098 | J24185000 | CHIP RES. | RMC1/16 000JATP | 0 | 1/16W | | |
| R 5099 | J24185000 | CHIP RES. | RMC1/16 000JATP | 0 | 1/16W | | |
| R 5100 | J24185000 | CHIP RES. | RMC1/16 000JATP | 0 | 1/16W | | |
| R 5102 | J24185000 | CHIP RES. | RMC1/16 000JATP | 0 | 1/16W | | |
| R 5103 | J24185000 | CHIP RES. | RMC1/16 000JATP | 0 | 1/16W | | |
| R 5104 | J24185000 | CHIP RES. | RMC1/16 000JATP | 0 | 1/16W | | |
| R 5105 | J24185000 | CHIP RES. | RMC1/16 000JATP | 0 | 1/16W | | |
| R 5107 | J24185103 | CHIP RES. | RMC1/16 103JATP | 10K | 1/16W | | |

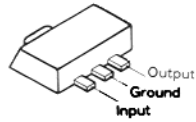
| REF. | YAESU P/N | DESCRIPTION | MFGR'S DESIG | VALUE | NV | TOL. | VERS. |
|--------|-----------|-------------|-----------------|-------|----|-------|-------|
| R 5108 | J24185103 | CHIP RES. | RMC1/16 103JATP | 10K | | 1/16W | |
| R 5109 | J24185103 | CHIP RES. | RMC1/16 103JATP | 10K | | 1/16W | |
| R 5110 | J24185682 | CHIP RES. | RMC1/16 682JATP | 6.8K | | 1/16W | |
| R 5111 | J24185222 | CHIP RES. | RMC1/16 222JATP | 2.2K | | 1/16W | |
| R 5115 | J24185333 | CHIP RES. | RMC1/16 333JATP | 33K | | 1/16W | |
| R 5116 | J24185222 | CHIP RES. | RMC1/16 222JATP | 2.2K | | 1/16W | |
| R 5117 | J24185102 | CHIP RES. | RMC1/16 102JATP | 1K | | 1/16W | |
| R 5118 | J24185103 | CHIP RES. | RMC1/16 103JATP | 10K | | 1/16W | |
| R 5119 | J24185222 | CHIP RES. | RMC1/16 222JATP | 2.2K | | 1/16W | |
| R 5120 | J24185102 | CHIP RES. | RMC1/16 102JATP | 1K | | 1/16W | |
| R 5121 | J24185471 | CHIP RES. | RMC1/16 471JATP | 470 | | 1/16W | |

Notes

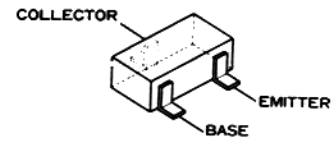
INTERFACE UNIT (No.50XX)



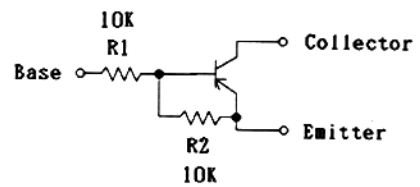
TC4S66F (C9)
(Q5017, Q5018)



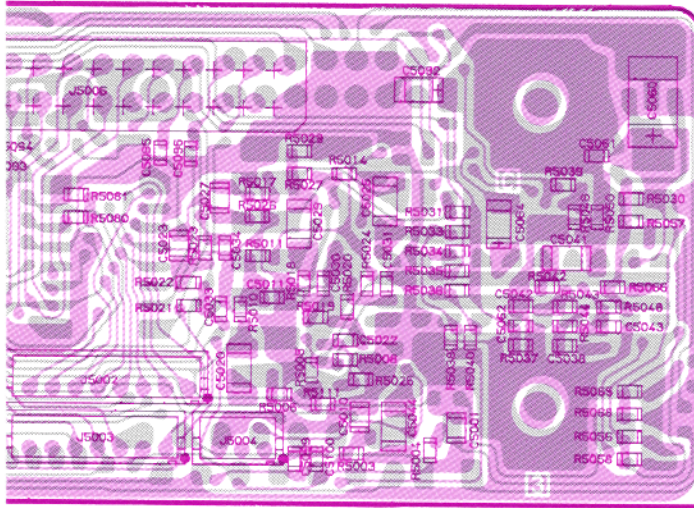
M51951AML (51)
(Q5008)



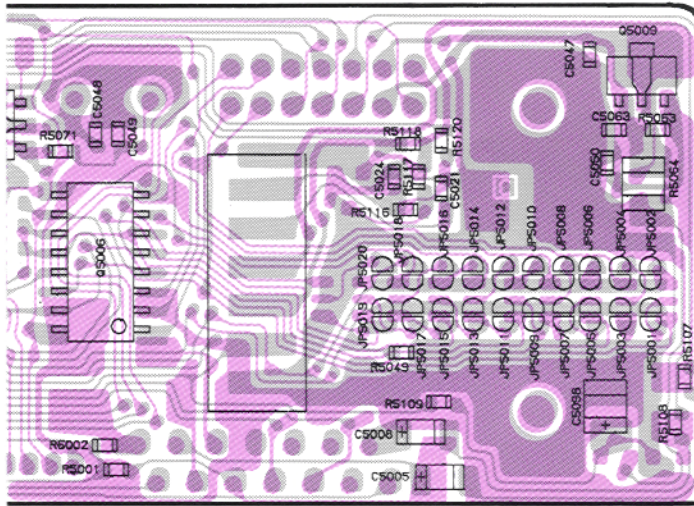
2SA1343 (DL)
(Q5023)
DTA114EK (14)
(Q5010, Q5020)



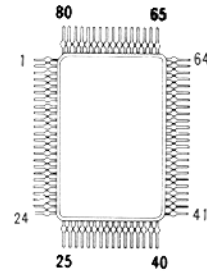
DTA114EK CIRCUIT DIAGRAM



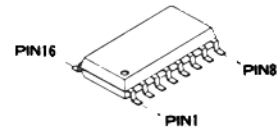
(obverse view of "component" side)



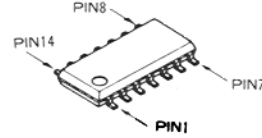
(obverse view of "chip-only" side)



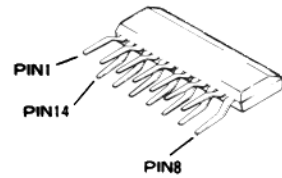
M37450M2
(Q5005)



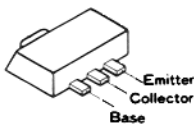
μPD4028BG
(Q5006)



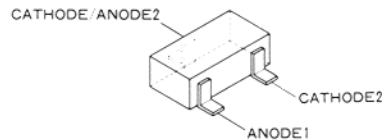
NJM2902M
(Q5015, Q5016)
μPD4052BG
(Q5007)



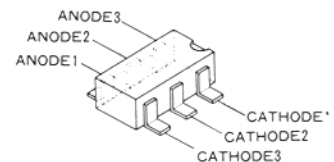
M51523AL
(Q5002)



2SA1213Y(NO)
(Q5009, Q5019)

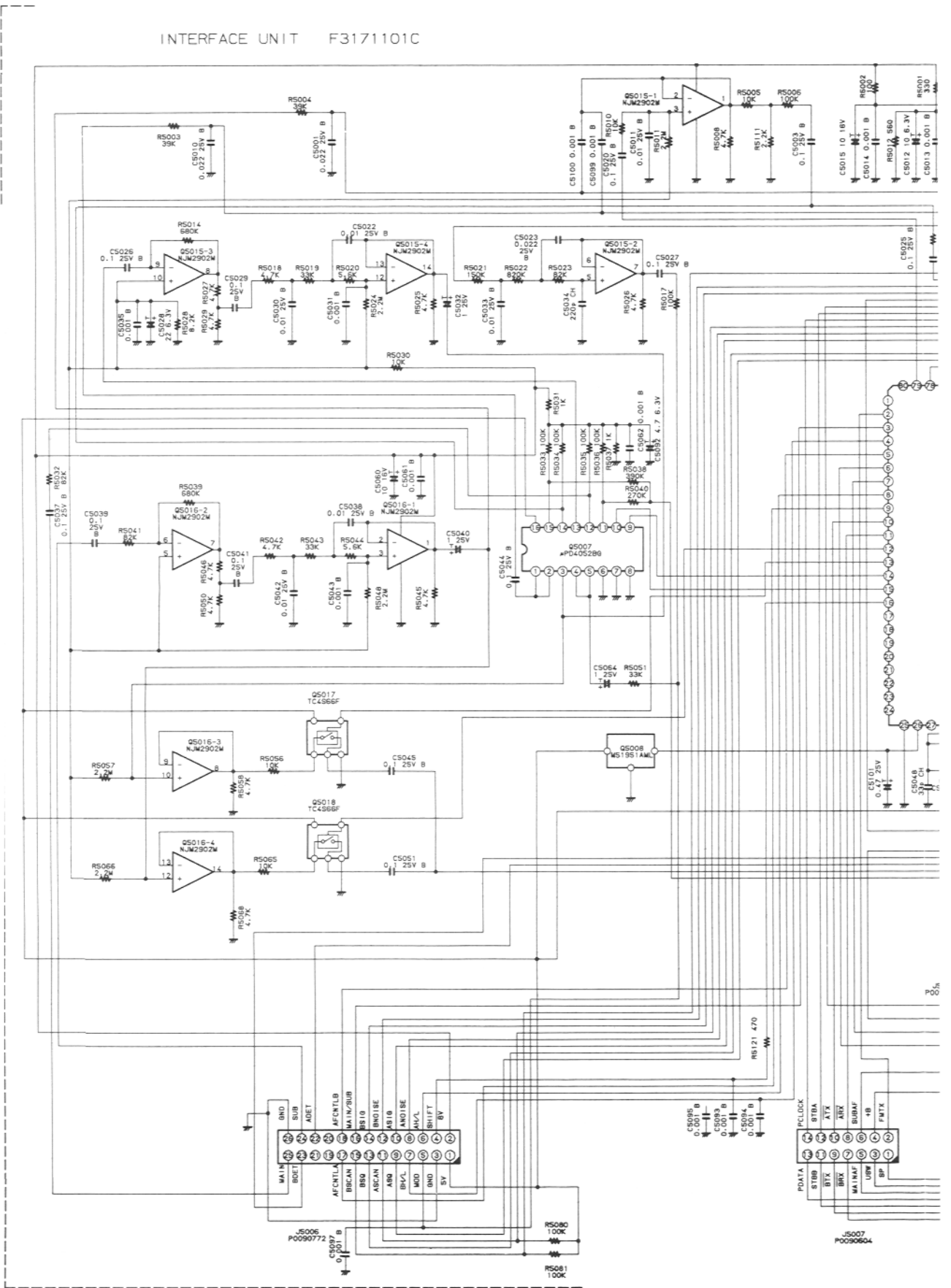


1SS226 (C3)
(Q5006, Q5007)

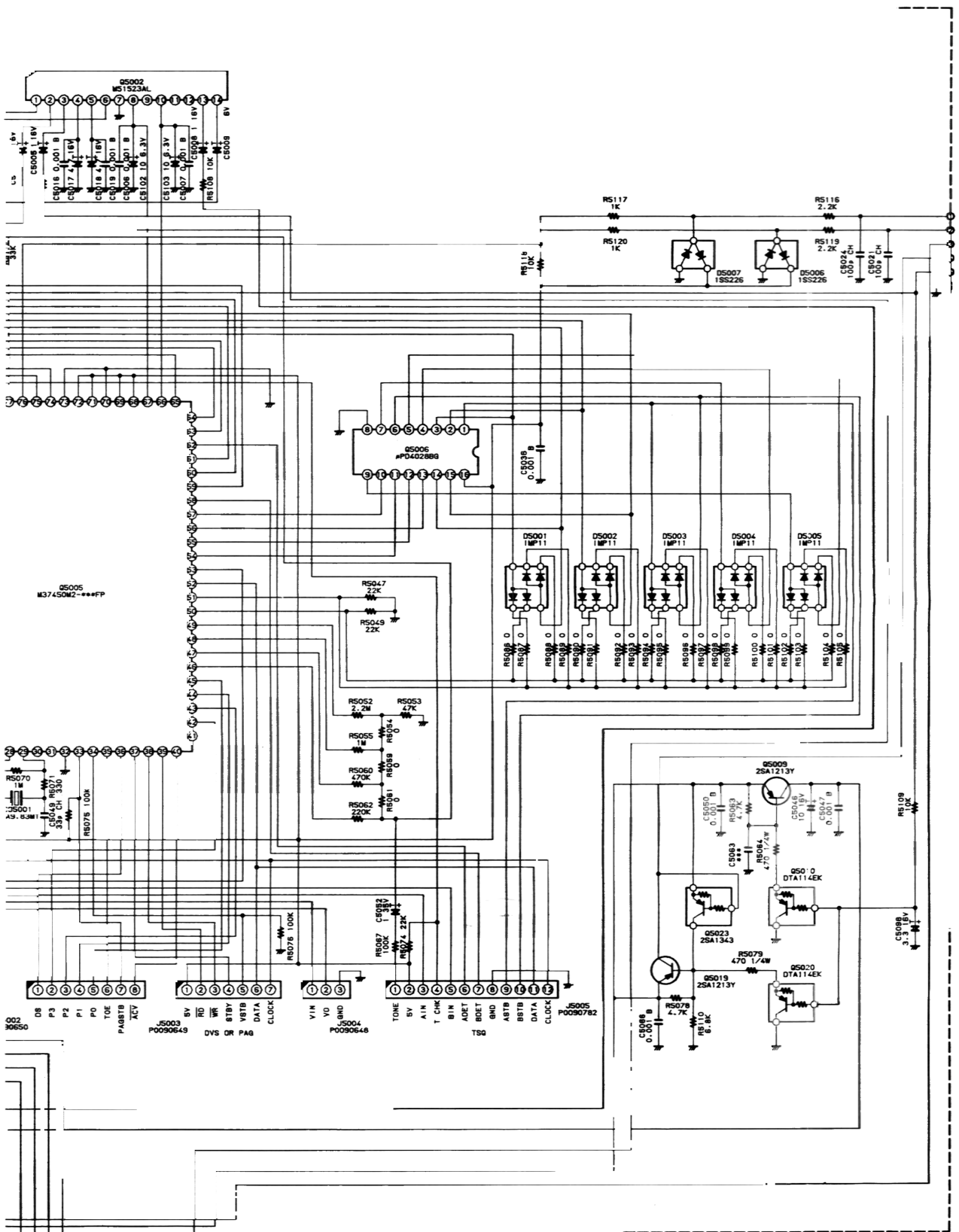


IMP11(P11)
(D5001, D5002, D5003,
D5004, D5005)

INTERFACE UNIT F3171101C

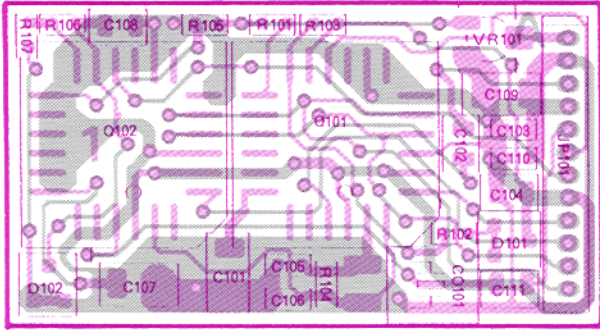


POA

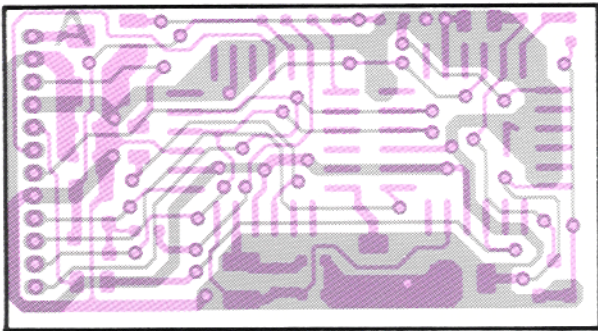


NOTE:
 RESISTOR VALUES ARE IN Ω, 1/10W ;
 CAPACITOR VALUES ARE IN pF, 50V ;
 (T) CAPACITOR VALUES ARE TANTALUM ;
 UNLESS OTHERWISE NOTED.

| REF. | YAESU P/N | DESCRIPTION | MFGR'S DESIG | VALUE | WV | TOL. | VERS. |
|--------|-----------|--------------------|------------------|---------|-------|------|-------|
| | F3214101 | P.C.B. | | | | | |
| C 0101 | K78140012 | TANTALUM CHIP CAP. | F951E474MRAAF1Q2 | 0.47uF | 25V | | |
| C 0102 | K22120805 | CHIP CAP. | GRM40R683M16PT | 0.068uF | 16V | R | |
| C 0103 | K22174809 | CHIP CAP. | GRM39B102M50PT | 0.001uF | 50V | B | |
| C 0104 | K22141005 | CHIP CAP. | GRM40F104Z25PT | 0.1uF | 25V | F | |
| C 0105 | K22174243 | CHIP CAP. | GRM39CH221J50PT | 220pF | 50V | CH | |
| C 0106 | K22174243 | CHIP CAP. | GRM39CH221J50PT | 220pF | 50V | CH | |
| C 0107 | K78140012 | TANTALUM CHIP CAP. | F951E474MRAAF1Q2 | 0.47uF | 25V | | |
| C 0108 | K22141005 | CHIP CAP. | GRM40F104Z25PT | 0.1uF | 25V | F | |
| C 0109 | K78080002 | TANTALUM CHIP CAP. | F950J475MSAAF1Q2 | 4.7uF | 6.3V | | |
| C 0110 | K22174809 | CHIP CAP. | GRM39B102M50PT | 0.001uF | 50V | B | |
| C 0111 | K22120805 | CHIP CAP. | GRM40R683M16PT | 0.068uF | 16V | R | |
| C00101 | H7900550 | CERAMIC OSC | CSB1000J221T | 1MHZ | | | |
| D 0101 | G2070009 | DIODE | 1SS184 TE85R | | | | |
| D 0102 | G2070009 | DIODE | 1SS184 TE85R | | | | |
| JP0101 | T9206058 | WIRE-ASSY | | | | | |
| Q 0101 | G1090897 | IC | MX365LH | | | | |
| Q 0102 | G1090897 | IC | MX365LH | | | | |
| R 0101 | J24185103 | CHIP RES. | RMC1/16 103JATP | 10K | 1/16W | | |
| R 0102 | J24185334 | CHIP RES. | RMC1/16 334JATP | 330K | 1/16W | | |
| R 0103 | J24185225 | CHIP RES. | RMC1/16 225JATP | 2.2M | 1/16W | | |
| R 0104 | J24185105 | CHIP RES. | RMC1/16 105JATP | 1M | 1/16W | | |
| R 0105 | J24185103 | CHIP RES. | RMC1/16 103JATP | 10K | 1/16W | | |
| R 0106 | J24185334 | CHIP RES. | RMC1/16 334JATP | 330K | 1/16W | | |
| R 0107 | J24185225 | CHIP RES. | RMC1/16 225JATP | 2.2M | 1/16W | | |
| VR0101 | J51778473 | POT. | RH03AYAS4X 47K | 47K | | | |

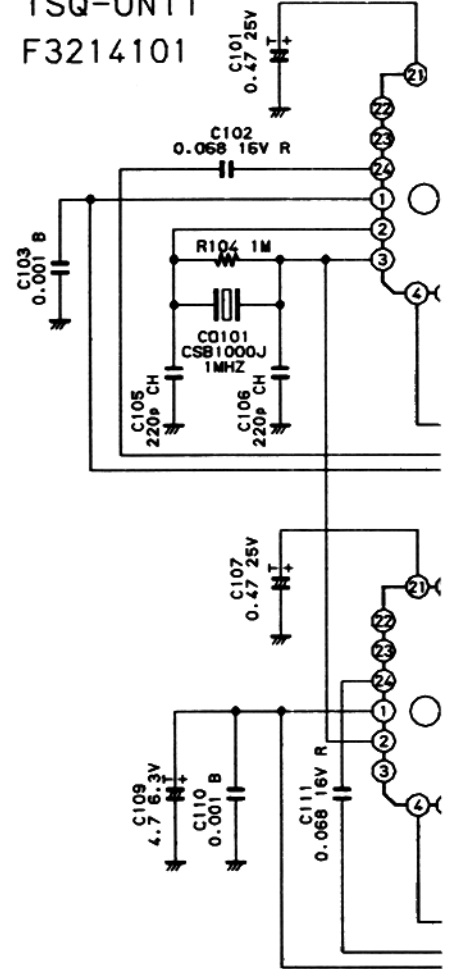


(obverse view of "component" side)

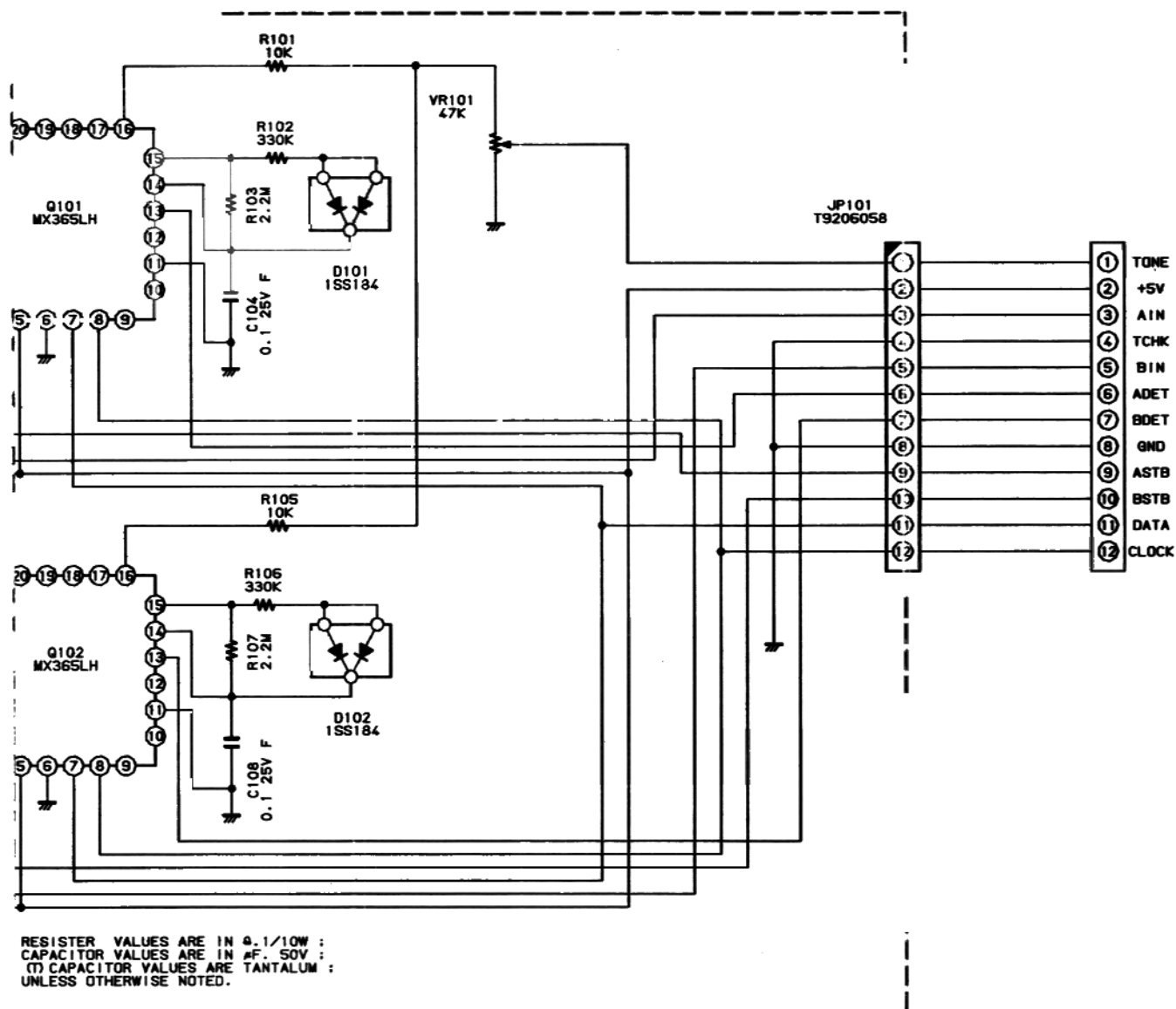


(obverse view of "solder" side)

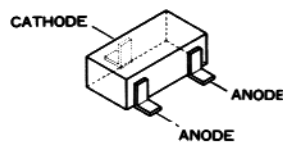
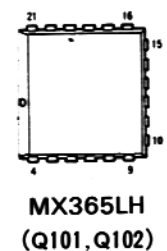
TSQ-UNIT
F3214101



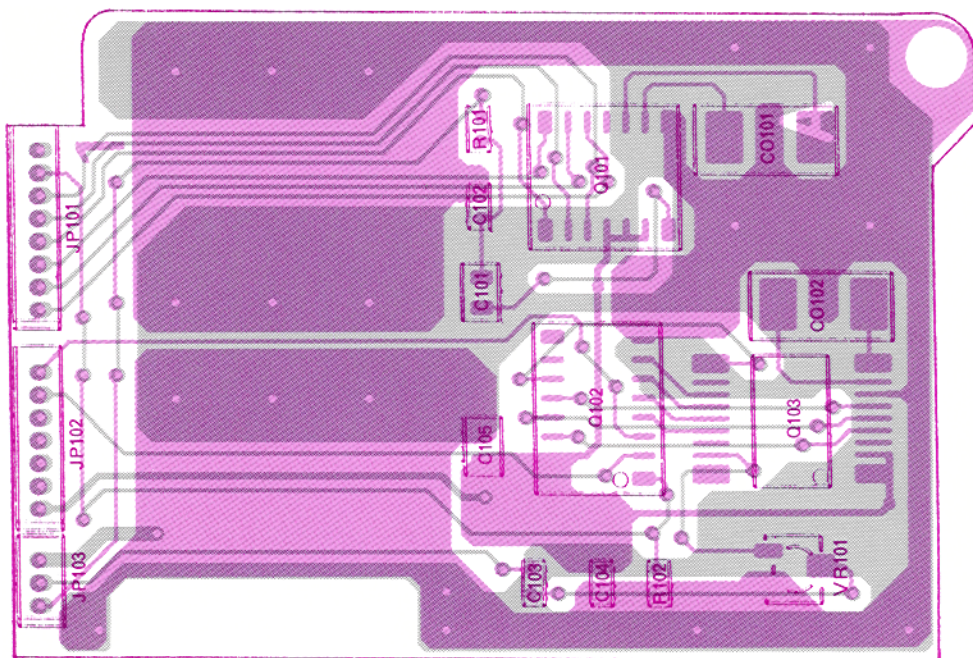
NOTE:



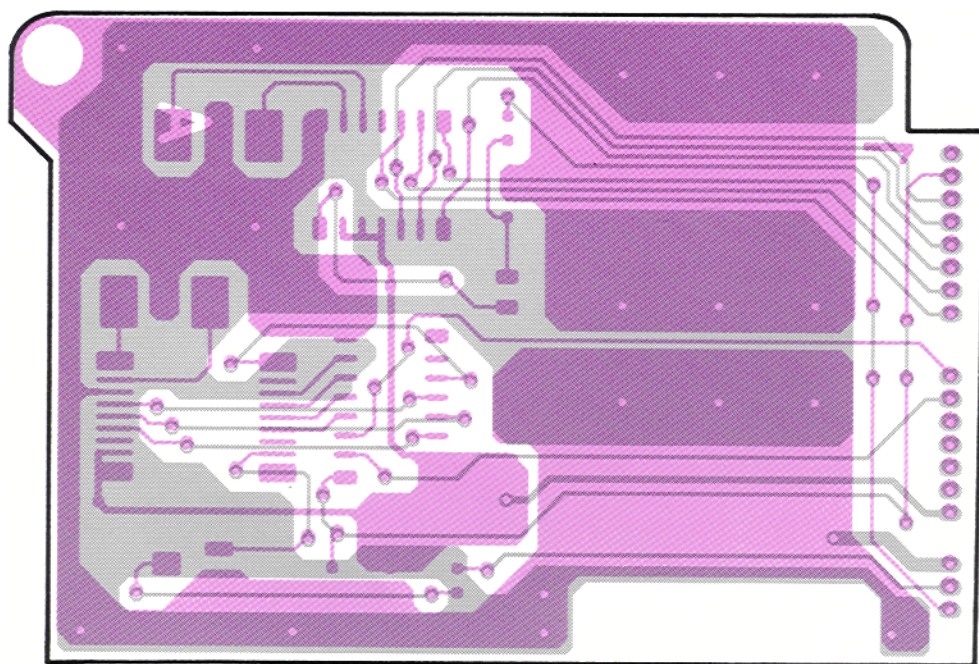
(FTS-22 Schematic Diagram)

1SS184 (B3)
(D101, D102)

| REF. | YAESU P/N | DESCRIPTION | MFGR'S DESIG | VALUE | WV | TOL. | VERS. |
|--------|-----------|-------------|-----------------|---------|-----|-------|-------|
| | F3216101 | P.C.B. | | | | | |
| C 0101 | K22140811 | CHIP CAP. | GRM40B104M25PT | 0.1uF | 25V | B | |
| C 0102 | K22144803 | CHIP CAP. | GRM39B103K25PT | 0.01uF | 25V | B | |
| C 0103 | K22144803 | CHIP CAP. | GRM39B103K25PT | 0.01uF | 25V | B | |
| C 0104 | K22174821 | CHIP CAP. | GRM39B102K50PT | 0.001uF | 50V | B | |
| C 0105 | K22140811 | CHIP CAP. | GRM40B104M25PT | 0.1uF | 25V | B | |
| CO0101 | H7900510 | CERAMIC OSC | CSA3.58MG | | | | |
| CO0102 | H7900510 | CERAMIC OSC | CSA3.58MG | | | | |
| JP0101 | T9206059 | WIRE-ASSY | | | | | |
| JP0102 | T9206060 | WIRE-ASSY | | | | | |
| JP0103 | T9206061 | WIRE-ASSY | | | | | |
| Q 0101 | G1091177 | IC | TC35305F-11 TP2 | | | | |
| Q 0102 | G1090696 | IC | UPD4094BG | | | | |
| Q 0103 | G1090731 | IC | LR40872 | | | | |
| R 0101 | J24185123 | CHIP RES. | RMC1/16 123JATP | 12K | | 1/16W | |
| R 0102 | J24185472 | CHIP RES. | RMC1/16 472JATP | 4.7K | | 1/16W | |
| VR0101 | J51778473 | POT | RH03AYAS4X | 47K | | | |

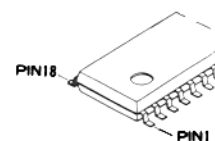


(obverse view of "component" side)

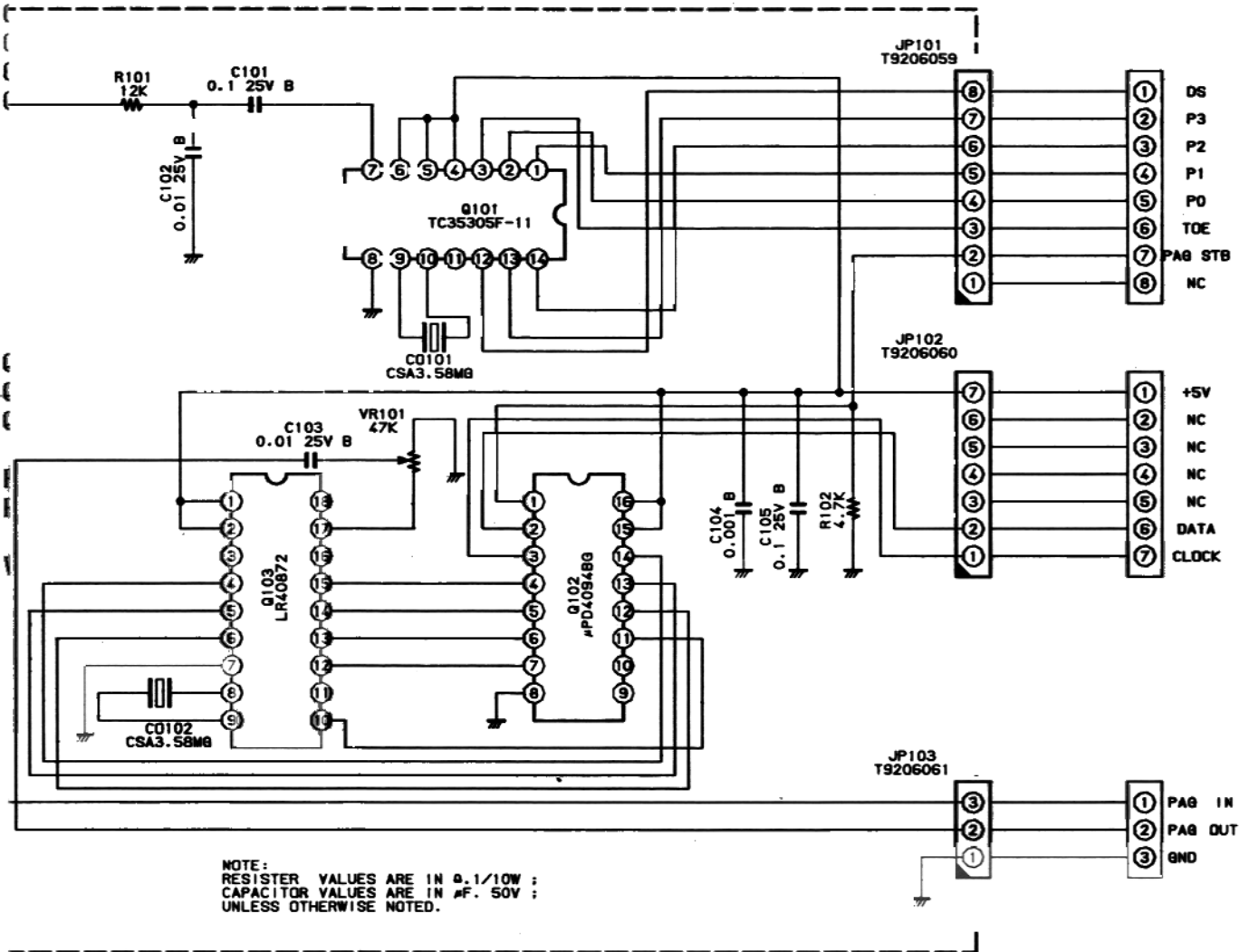


(obverse view of "solder" side)

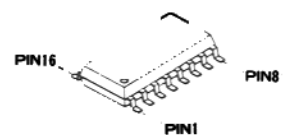
PAGER-UNIT
F3216101



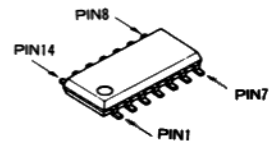
LR40872
(Q103)



(FRC-4 Schematic Diagram)



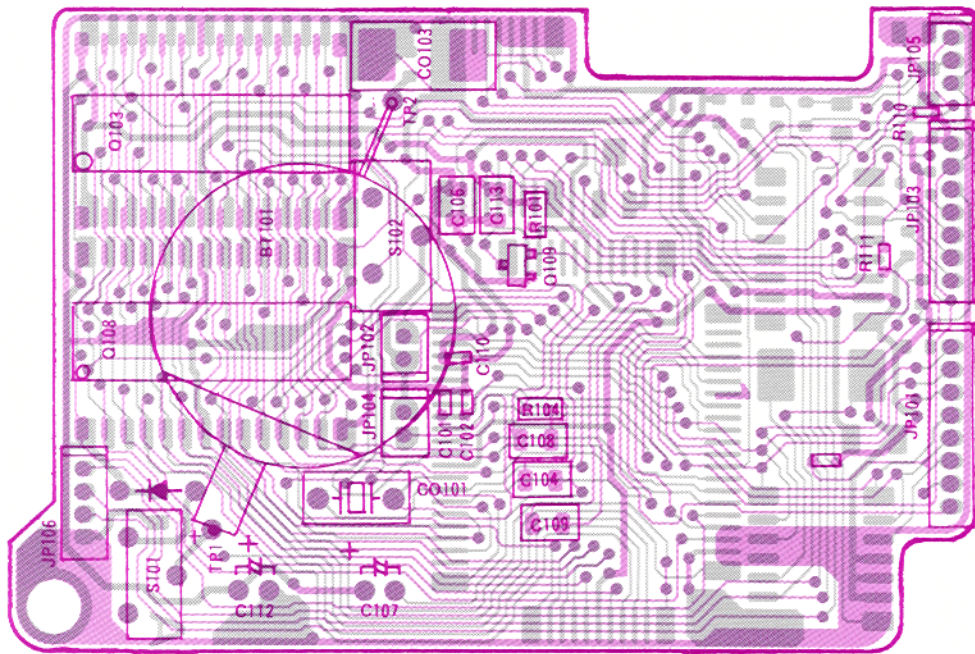
μPD4094BG
(Q102)



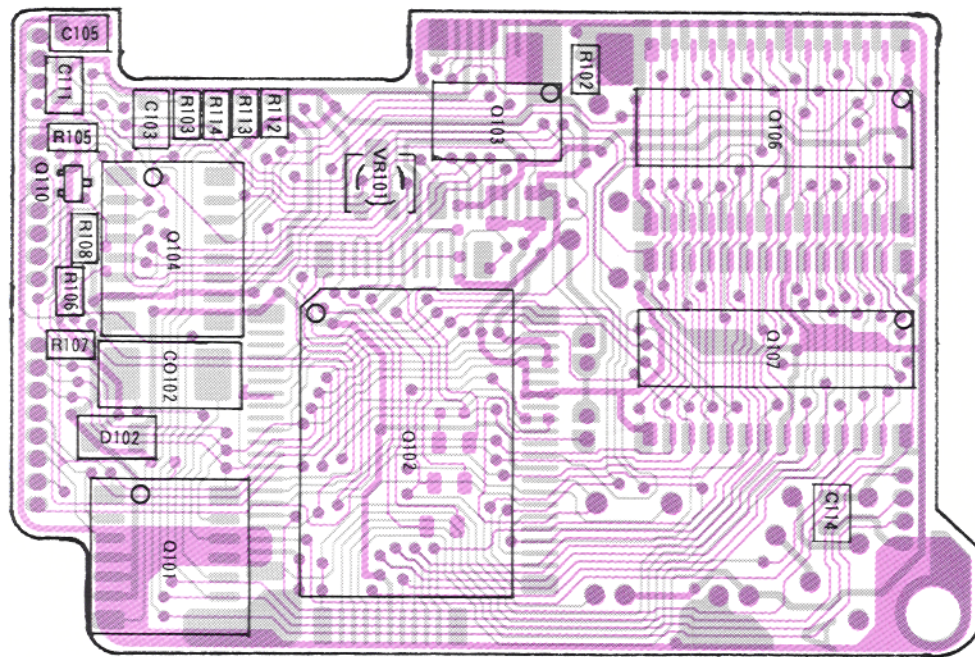
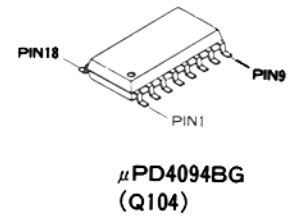
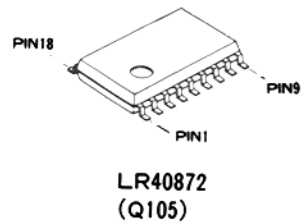
TC35305F-11
(Q101)

| REF. | YAESU P/N | DESCRIPTION | MFGR'S DESIG | VALUE | WV | TOL. | VERS. |
|--------|-----------|-------------------|-------------------|---------|------|-------|-------|
| | F3215101 | P. C. B. | | | | | |
| BT0101 | Q9000268 | LITHIUM BATTERY | CR2032-HM4 | | | | |
| C 0101 | K22174235 | CHIP CAP. | GRM39CH101J50PT | 100pF | 50V | CH | |
| C 0102 | K22174235 | CHIP CAP. | GRM39CH101J50PT | 100pF | 50V | CH | |
| C 0103 | K22140811 | CHIP CAP. | GRM40B104M25PT | 0.1uF | 25V | B | |
| C 0104 | K22140811 | CHIP CAP. | GRM40B104M25PT | 0.1uF | 25V | B | |
| C 0105 | K22170817 | CHIP CAP. | GRM40B103M50PT | 0.01uF | 50V | B | |
| C 0106 | K22140811 | CHIP CAP. | GRM40B104M25PT | 0.1uF | 25V | B | |
| C 0107 | K40089023 | AL. ELECTRO. CAP. | RC2-6V470MS (4X7) | 47uF | 6.3V | | |
| C 0108 | K22140811 | CHIP CAP. | GRM40B104M25PT | 0.1uF | 25V | B | |
| C 0109 | K22140812 | CHIP CAP. | GRM40B223K25PT | 0.022uF | 25V | B | |
| C 0110 | K22174821 | CHIP CAP. | GRM39B102K50PT | 0.001uF | 50V | B | |
| C 0111 | K22170817 | CHIP CAP. | GRM40B103M50PT | 0.01uF | 50V | B | |
| C 0112 | K40089023 | AL. ELECTRO. CAP. | RC2-6V470MS (4X7) | 47uF | 6.3V | | |
| C 0113 | K22140811 | CHIP CAP. | GRM40B104M25PT | 0.1uF | 25V | B | |
| C 0114 | K22140811 | CHIP CAP. | GRM40B104M25PT | 0.1uF | 25V | B | |
| CO0101 | H7900660 | CERAMIC OSC | CSB512J | | | | |
| CO0102 | H7900510 | CERAMIC OSC | CSA3.58MG | | | | |
| CO0103 | H7900510 | CERAMIC OSC | CSA3.58MG | | | | |
| D 0101 | G2090118 | DIODE | 1SS 7 | | | | |
| D 0102 | G2090118 | DIODE | 1SS97 | | | | |
| JP0101 | T9206059 | WIRE-ASSY | | | | | |
| JP0103 | T9206060 | WIRE-ASSY | | | | | |
| JP0105 | T9206061 | WIRE-ASSY | | | | | |
| Q 0101 | G1091177 | IC | TC35305F-11 TP2 | | | | |
| Q 0102 | G1090841 | IC | TC8830F-BS | | | | |
| Q 0103 | G1090863 | IC | UPD43256AGU-12LL | | | | |
| Q 0104 | G1090696 | IC | UPD4094BG | | | | |
| Q 0105 | G1090731 | IC | LR40872 | | | | |
| Q 0106 | G1090863 | IC | UPD43256AGU-12LL | | | | |
| Q 0107 | G1090863 | IC | UPD43256AGU-12LL | | | | |
| Q 0108 | G1090863 | IC | UPD43256AGU-12LL | | | | |
| Q 0109 | G3070037 | TRANSISTOR | RN1303 | | | | |
| Q 0110 | G3070037 | TRANSISTOR | RN1303 | | | | |
| R 0101 | J24185224 | CHIP RES. | RMC1/16 224JATP | 220K | | 1/16W | |
| R 0102 | J24185472 | CHIP RES. | RMC1/16 472JATP | 4.7K | | 1/16W | |
| R 0103 | J24185123 | CHIP RES. | RMC1/16 123JATP | 12K | | 1/16W | |
| R 0104 | J24185473 | CHIP RES. | RMC1/16 473JATP | 47K | | 1/16W | |
| R 0105 | J24185103 | CHIP RES. | RMC1/16 103JATP | 10K | | 1/16W | |
| R 0106 | J24185103 | CHIP RES. | RMC1/16 103JATP | 10K | | 1/16W | |
| R 0107 | J24185104 | CHIP RES. | RMC1/16 104JATP | 100K | | 1/16W | |
| R 0108 | J24185104 | CHIP RES. | RMC1/16 104JATP | 100K | | 1/16W | |
| R 0109 | J24185472 | CHIP RES. | RMC1/16 472JATP | 4.7K | | 1/16W | |
| R 0110 | J24185472 | CHIP RES. | RMC1/16 472JATP | 4.7K | | 1/16W | |
| R 0111 | J24185222 | CHIP RES. | RMC1/16 222JATP | 2.2K | | 1/16W | |
| R 0112 | J24185223 | CHIP RES. | RMC1/16 223JATP | 22K | | 1/16W | |
| R 0113 | J24185222 | CHIP RES. | RMC1/16 222JATP | 2.2K | | 1/16W | |
| R 0114 | J24185222 | CHIP RES. | RMC1/16 222JATP | 2.2K | | 1/16W | |
| R 0115 | J01225333 | CARBON FILM RES. | RD16PJ333 33K | 33K | | 1/6W | |

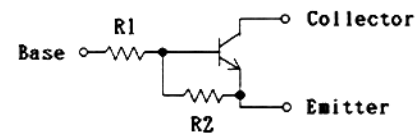
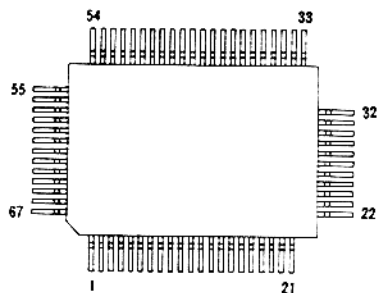
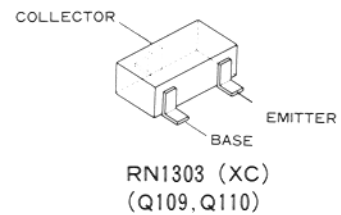
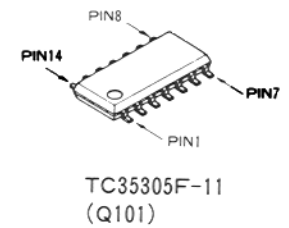
| REF. | YAESU P/N | DESCRIPTION | MFGR'S DESIG | VALUE | WV | TOL. | VERS. |
|--------|-----------|--------------|----------------|-------|----|------|-------|
| S 0101 | N6090069 | SLIDE SWITCH | SSSS21 | | | | |
| S 0102 | N6090069 | SLIDE SWITCH | SSSS21 | | | | |
| VR0101 | J51778473 | POT. | RH03AYAS4X 47K | 47K | | | |



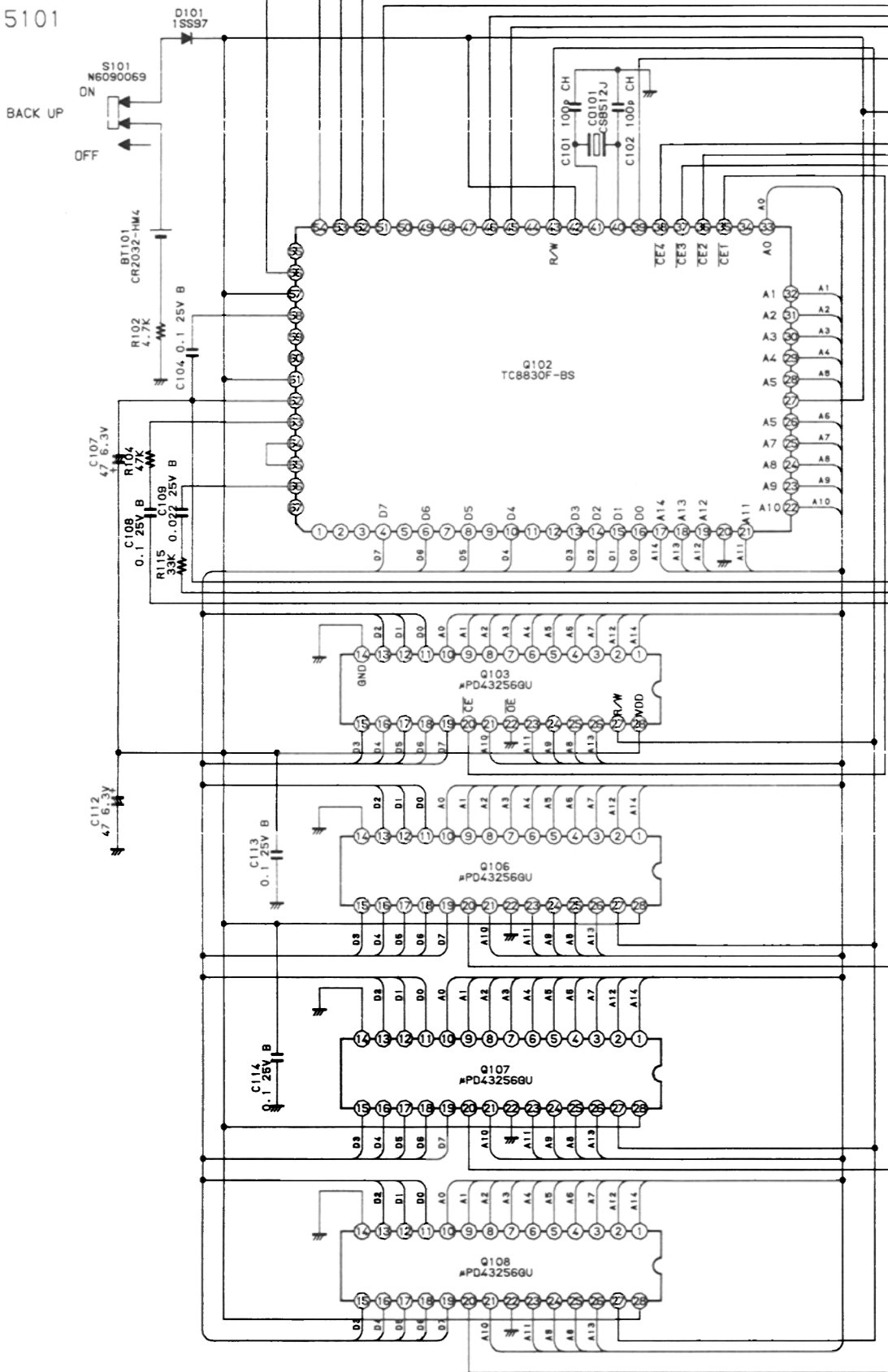
(obverse view of "component" side)

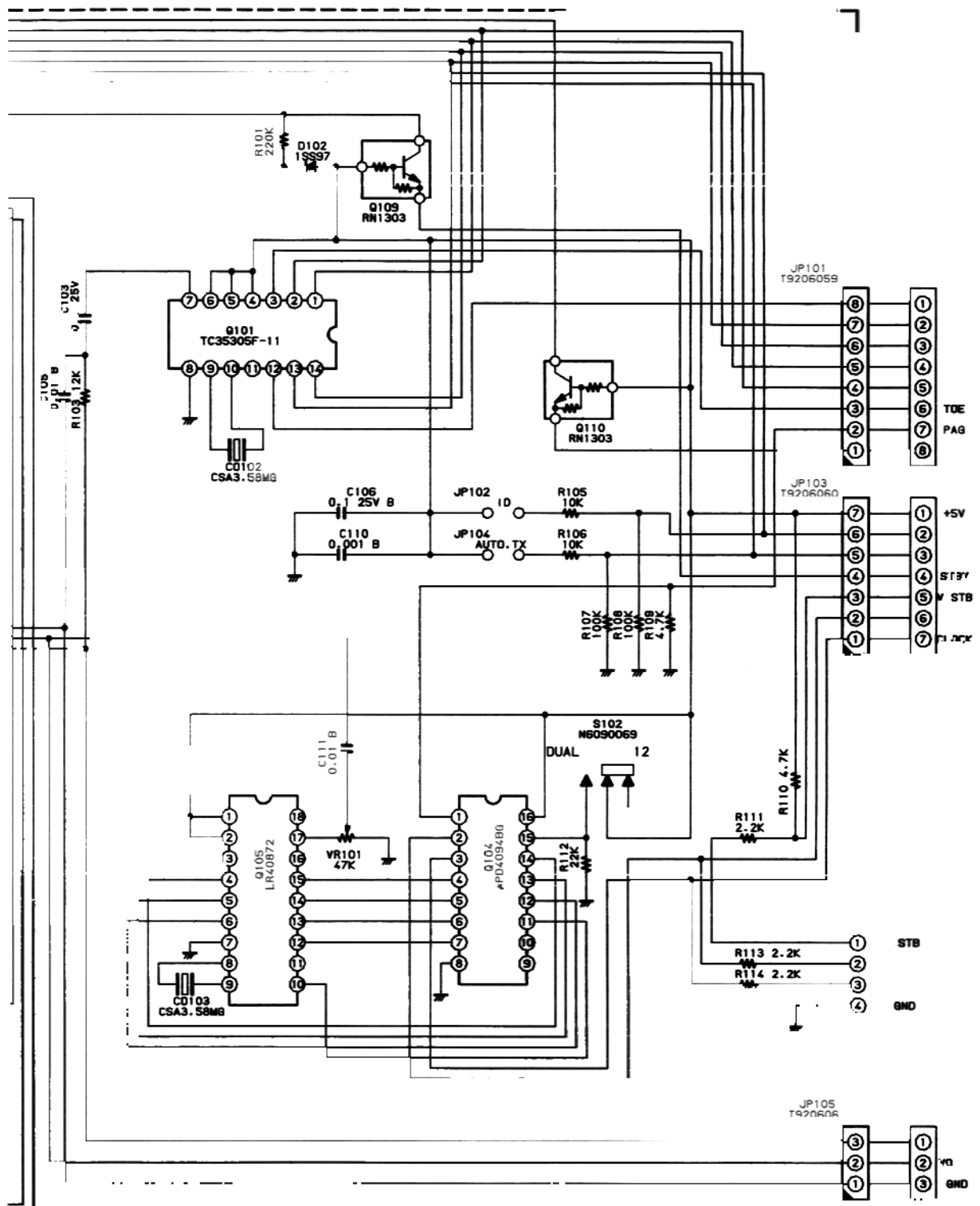


(obverse view of "chip-only" side)



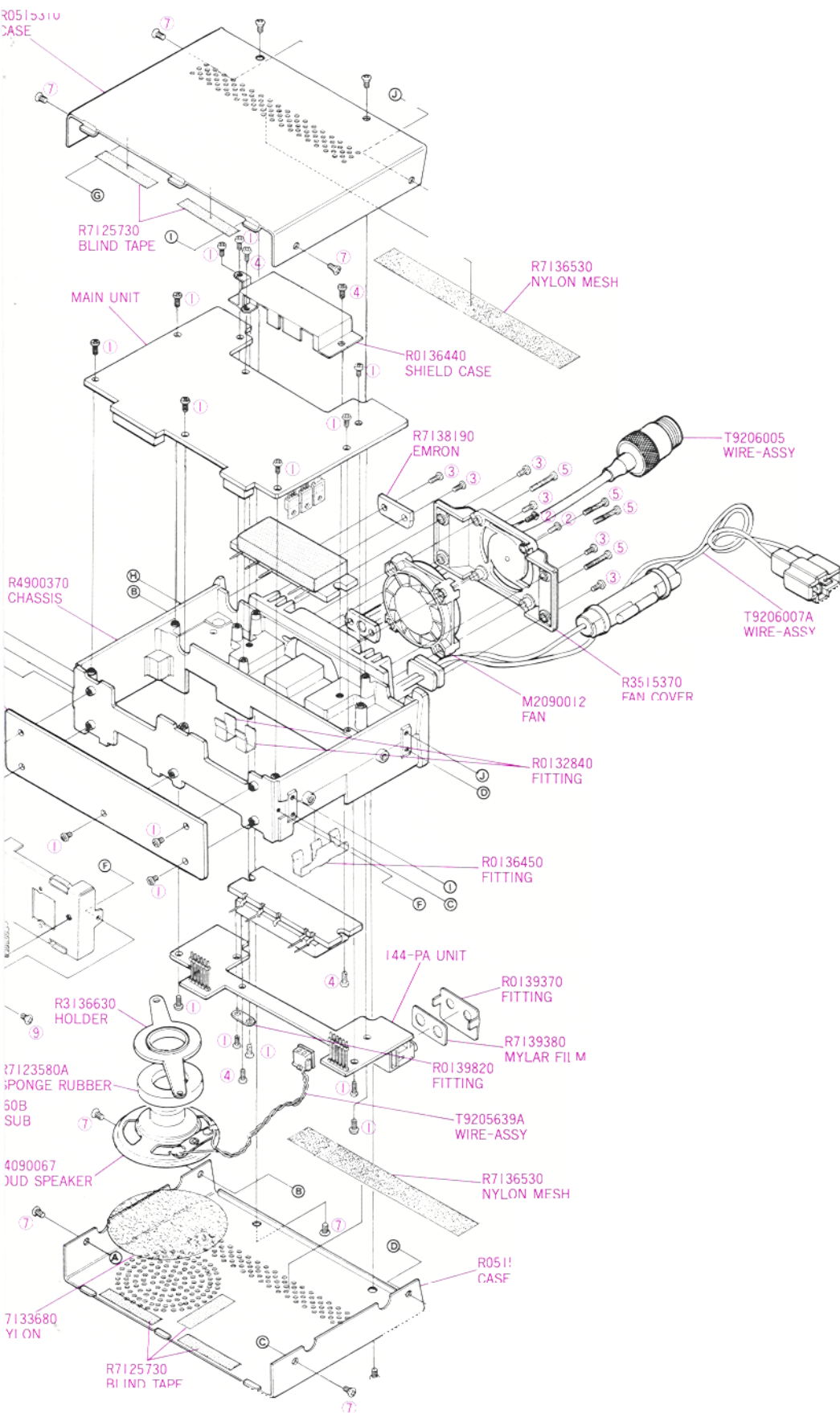
VOICE-MEMORY-UNIT
F3215101

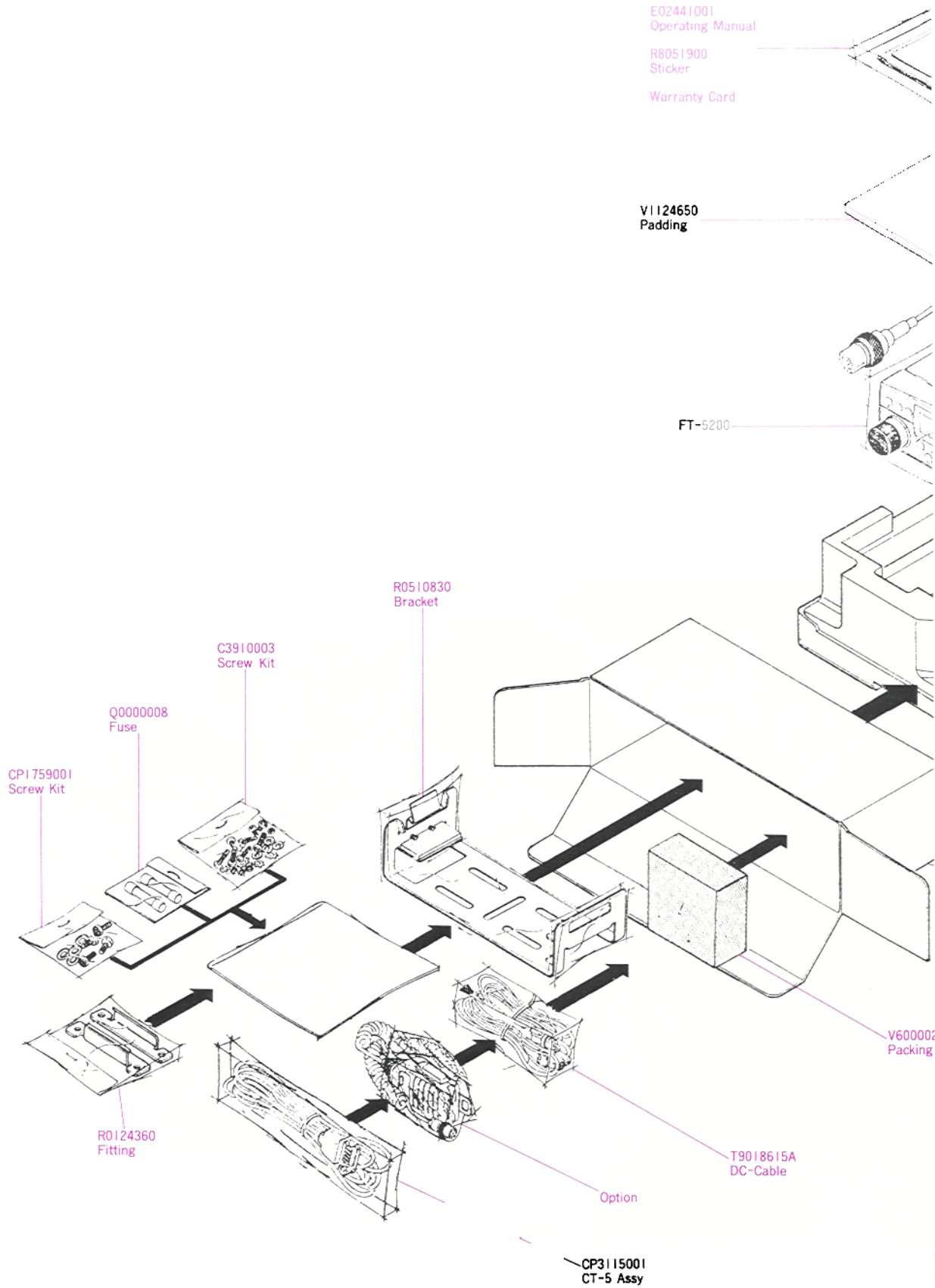




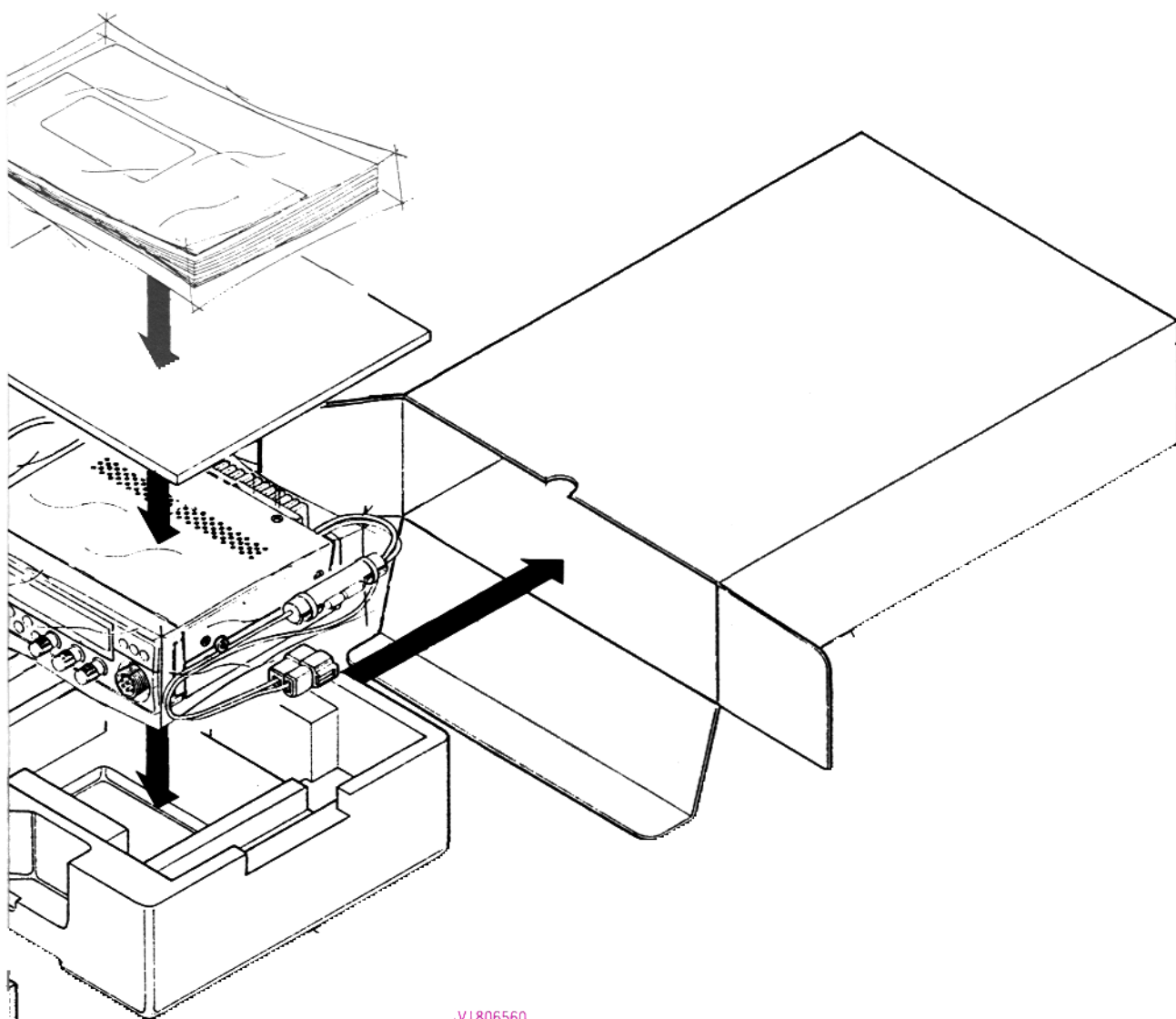
NOTE:
 RESISTOR VALUES ARE IN Ω ,
 CAPACITOR VALUES ARE IN μ F.
 UNLESS OTHERWISE NOTED.

Exploded View





Packaging



V1806560
Padding

V0108500
Carton
















**Copyright © 1991
Yaesu Musen Co., Ltd.
All rights reserved.**

**No portion of this manual
may be reproduced
without the permission of
Yaesu Musen Co., Ltd.**

FT-5200 Operator's Quick Reference Charts

Key & Button Function Table

| Key/ Button | Normal Function | Alternate Function (after ) "FUNC" displayed for 5 seconds | DTMF Code Setting Function* (while 4-digit Code Memory displayed) | DVS Function** (with 4/5-digit Voice System Display) |
|--|--|---|--|---|
|  | Toggle Dial/Memory Modes | Toggle Scan Skip (Memory Mode only) | Toggle Dial/Memory Modes, and show 100's-of-MHz digit temporarily (press twice). | Toggle Dial/Memory Modes, and show operating freq temporarily (2 seconds). |
|  | Jump to CALL Channel | Toggle SelCall/Sq1 Modes: Paging → Code Squelch → CTCSS Bell → off | Jump to CALL Channel | Jump to CALL Channel |
|  | Activate 1-MHz Tuning Steps | Dial: toggle 1-MHz steps Mem: enable Mem Tuning ("MT" displayed) | Select next digit to right | Toggles Record Locking ("L" displayed when locked) |
|  | Momentary: enables alternate funcs of other keys. Hold 1/2-sec. to store display into memory. | Cancel alternate functions of other keys (also automatic after 5 seconds). | On Code Memories 2 - 6, toggles DTMF decoder (1st digit underlined if on). | Enables alternate functions of other keys. |
|  | Toggles Repeater Shift di- rection: -/+/off (simplex) | Toggle Display of Repeater Offset and ARS state ("A" = enabled) | Quit Code Setting, return to operating (code/frequency) display | same as Normal Function |
|  | Toggles CTCSS Mode: ENC/(ENC/DEC=)/off | Toggle Display of CTCSS tone freq. and "b" if key/button beeper enabled | none | Toggle Speaker/Microphone ("S"/"M") recording source. |
|  | Toggle Digital Voice on/off*** | Toggle Selective Band Receiver Muting: primary/secondary/off | none | Toggle Digital Voice on primary/secondary band/off |
|  | Toggle Secondary Band on/off | Make following key/button functions act on Secondary Band. ("ALT" blinks on display) | same as Normal Function | same as Normal Function |
|  | In split operation only: Toggle Reversed Tx/Rx Frequencies. Direction sign blinks while reversed. | Dial: Toggle Display of Tuning Steps & Scan Resume Mode ("5" or "P" in Memory Box) Memory: Hide Memory | none | Activates/Deactivates Bit Rate selection by selector knob (5-sec. time out) |
|  | Swap Primary & Secondary Bands | Toggle Alternating Band Memory Selection | none | same as Normal Function |
|  | Toggle High/Low Transmit Power | Enable/Disable Key/Button Lock | same as Normal Function | same as Normal Function |
|  | Switch transceiver on/off (hold 1/2-sec. to switch off) | same as Normal Function | same as Normal Function | same as Normal Function |

* only if FRC-4 or DVS-3 option is installed.



** only if DVS-3 option is installed.

□ only if FTS-22 option is installed.



YAESU MUSEN CO.,LTD.
C.P.O.BOX 1500, TOKYO, JAPAN

Functional Reference

As shown below, each function affects the Primary Band only. However, all functions can also be performed on the Secondary Band by preceding the indicated keystrokes with  →  (ALT), except repeater shift setting. Beeper on/off, key lock and high/low power selection affect both bands together.

Symbols:



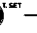




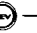








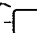



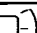


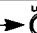






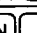
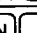
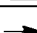




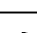

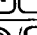


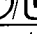





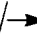




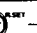

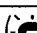

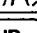
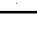
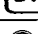
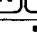
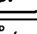




"/" = OR

"[]" = hold at least 1/2-second


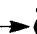
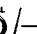

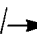

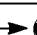
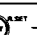
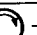


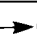




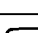






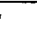
"()" = intermediate display

"*" = blinking display

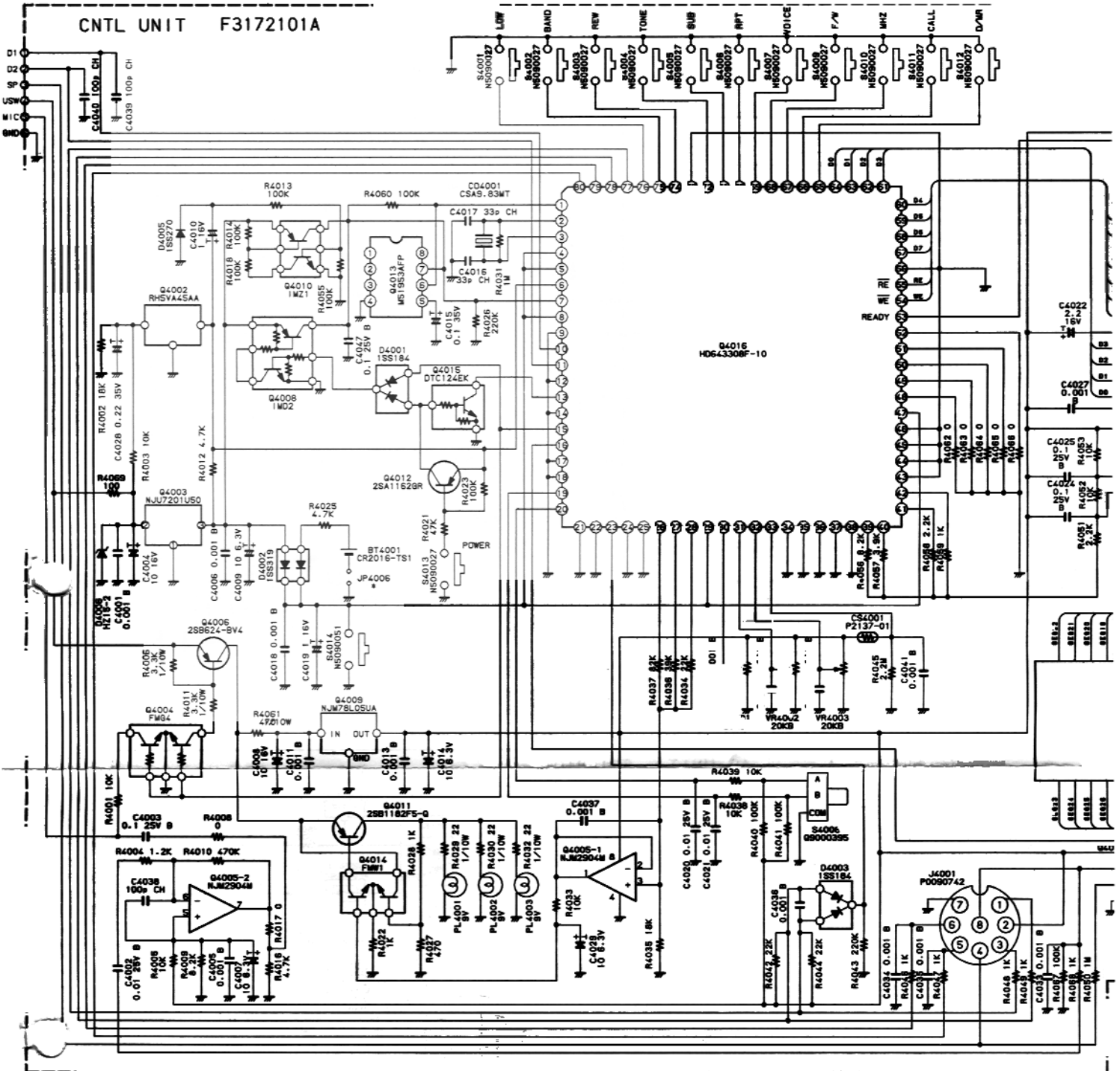
"+" = together (do simultaneously)

| Desired Function | Display Mode | Procedure |
|---------------------------------|--------------|--|
| Beeper on/off | Dial/Mem |  →  SET →  →  SET |
| CALL Memory Recall | Dial/Mem |  |
| Channel Step Select | Dial |  →  STEP →  / [DWN] [UP] →  STEP |
| CTCSS Tone Freq. Set | Dial/Mem |  →  SET →  / [DWN] [UP] →  SET |
| CTCSS Encode/Decode/Off | Dial/Mem |  SET / →  SET |
| Hide Current Memory | Memory | [] ([ ?]) →  STEP |
| Unhide Memory | Memory | [] ([ ?]) →  / [DWN] [UP] →  STEP |
| Lock/Unlock Keys | Dial/Mem |  →  LOCK |
| Memory Recall | Dial |  DIAL →  / [DWN] [UP] |
| Memory Tune | Memory |  MEM →  / [DWN] [UP] |
| Memory Storage | Dial/M Tune |  / [DWN] [UP] → [] ([ ?]) →  / [DWN] [UP] →  |
| Memorize Separate Tx Freq. | Dial/M Tune |  / [DWN] [UP] → [] ([ ?]) →  / [DWN] [UP] → [PTT] +  |
| MHz Range Select | Dial/M Tune |  MEM →  / [DWN] [UP] |
| Mute Rx Audio | Dial/Mem |  →  MUTE / →  MUTE |
| Priority Monitor | Dial/Mem |  →  P.M. |
| Repeater: Standard Split | Dial/Mem |  SET / →  SET |
| Repeater: Disp/Set Split Offset | Dial/Mem |  →  SET →  / [DWN] [UP] →  SET |
| Reverse Tx/Rx Frequencies | Dial/Mem | STEP  () / () |
| Scanning | Dial/Mem | [DWN] [UP] |
| Scan/Tune Alternate Bands | Dial/Mem |  →  BAND (ALT) → [DWN] [UP] |
| Scan Limited Subband | Dial |  DIAL →  / [DWN] [UP] ([L] / [H]) →  → [DWN] [UP] |
| Scan Resume Mode Set | Dial/Mem |  →  STEP →  →  STEP |
| Scan Skip Memory (Set) | Memory |  / [DWN] [UP] →  →  DIAL |

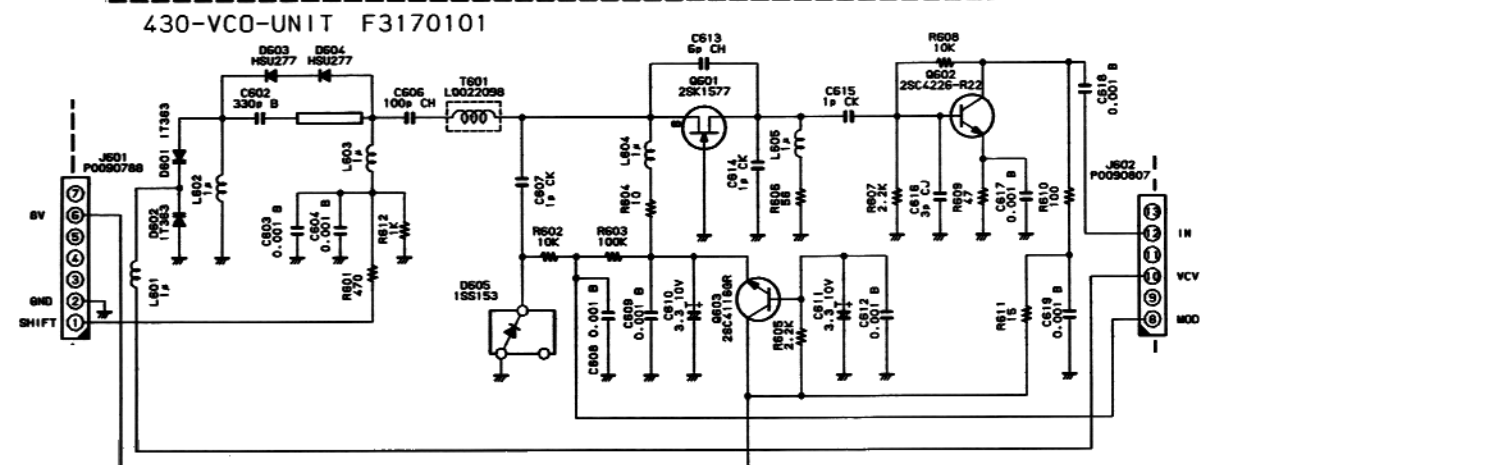
Optional DTMF Paging/Selcall & Digital Voice Functions

| | | |
|---|------------------------|--|
| Paging/Code Squelch/CTCSS Bell/Off Toggle | Dial/Memory |  →  CALL / →  CALL / →  CALL / →  CALL |
| Paging/Code Squelch Code Setting | Dial/Mem with Pag/Code |  →  SET →  → [UP] /  →  → [UP] /  →  → [UP] →  |
| Toggle Code Memory Decoder (Rx) | DTMF Code | [DWN] [UP] →  →  SET →  |
| Quit Code Setting Display | DTMF Code |  SET |
| Digital Voice on/off toggle | Dial/M/DVS |  MUTE |
| Speaker/Mic Recording toggle | DVS Display |  SET |
| Bit Rate Selection | DVS Display | STEP  →  →  STEP |
| Record Locking toggle | DVS Display |  →  MUTE |

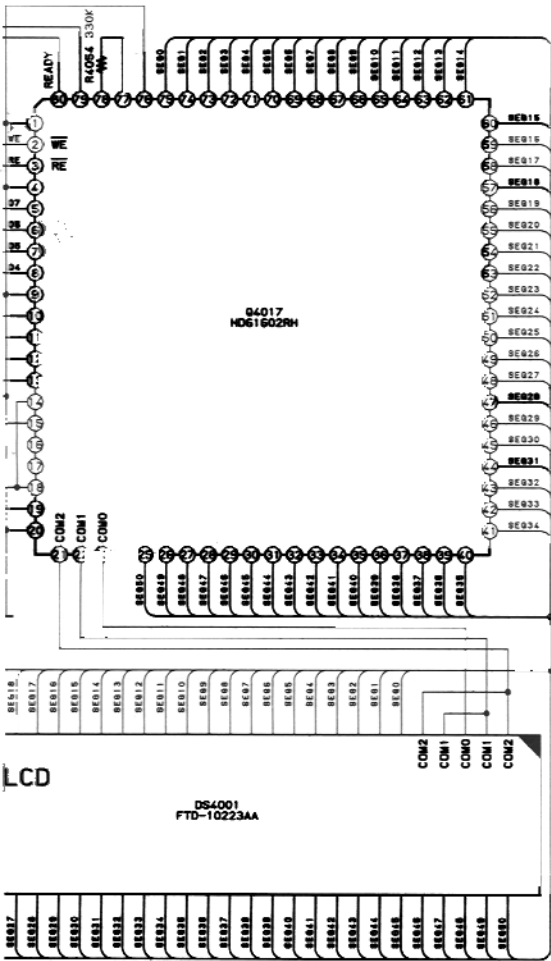
CNTL UNIT F3172101A



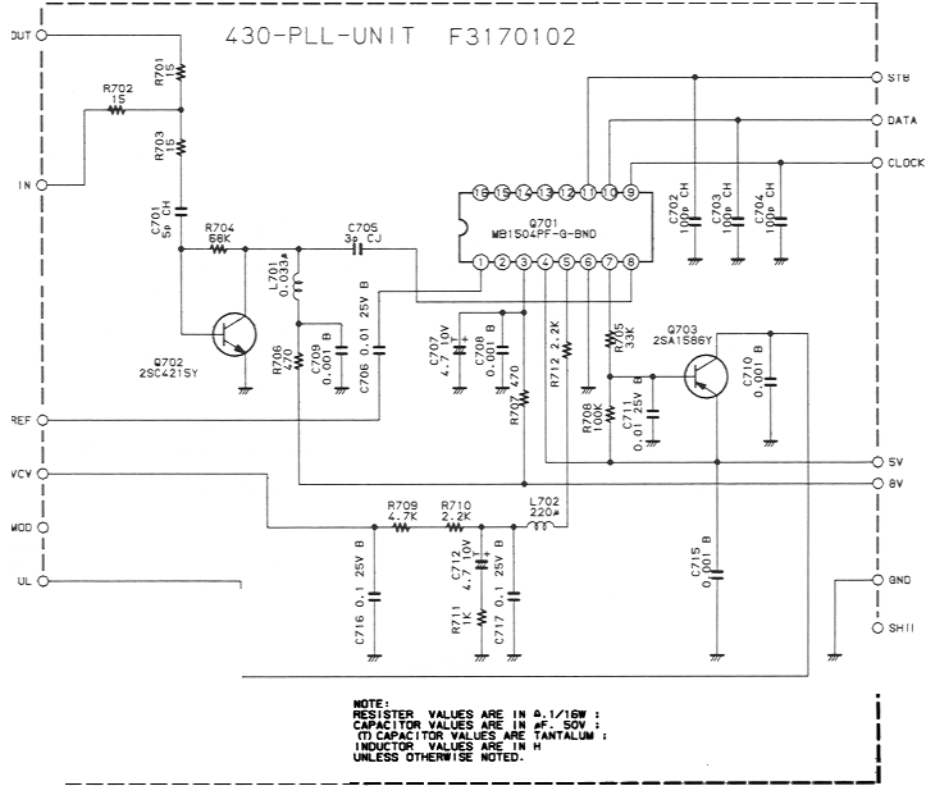
430-VCO-UNIT F3170101



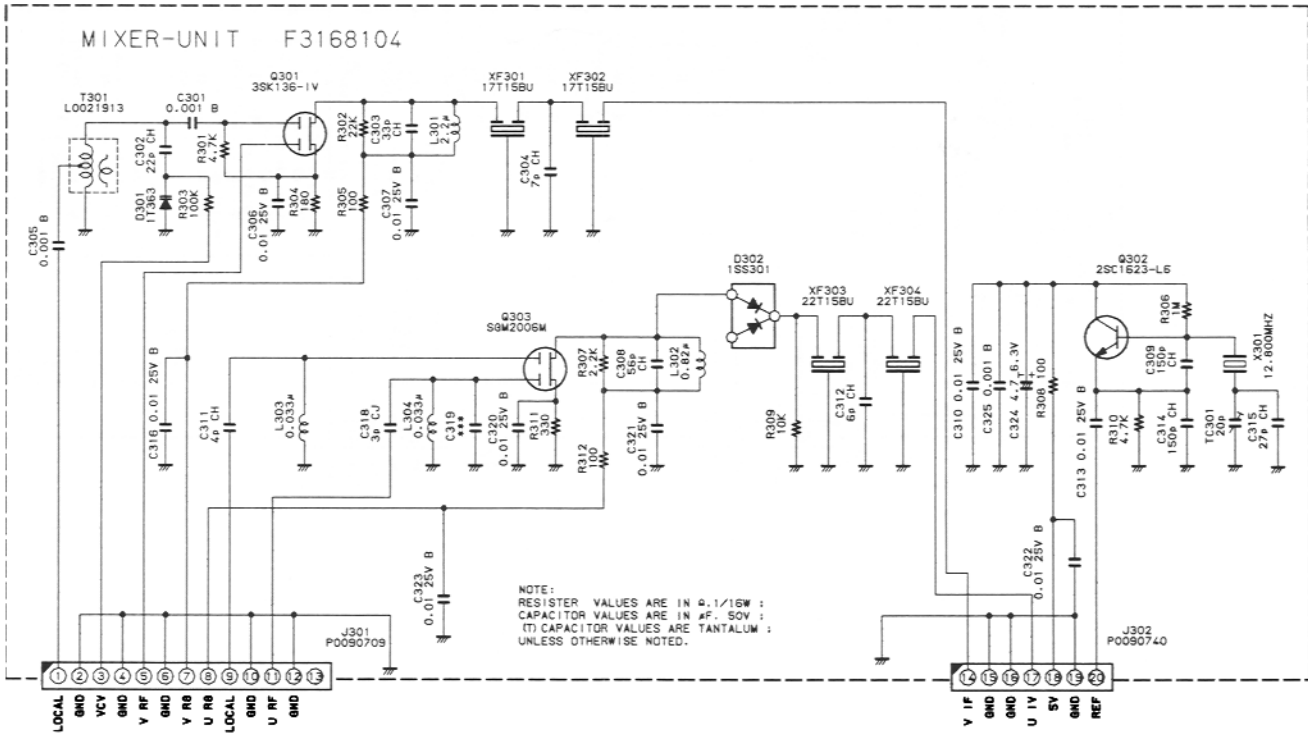
NOTE:
 RESISTOR VALUES ARE IN Ω , 1/16W ;
 CAPACITOR VALUES ARE IN μ F, 50V ;
 (T) CAPACITOR VALUES ARE TANTALUM ;
 INDUCTOR VALUES ARE IN H
 UNLESS OTHERWISE NOTED.



NOTE:
RESISTOR VALUES ARE IN Ω , 1/16W ;
CAPACITOR VALUES ARE IN μ F, 50V ;
(T) CAPACITOR VALUES ARE TANTALUM ;
ELECTROLYTIC CAPACITOR ARE IN μ F, 16V ;
UNLESS OTHERWISE NOTED.

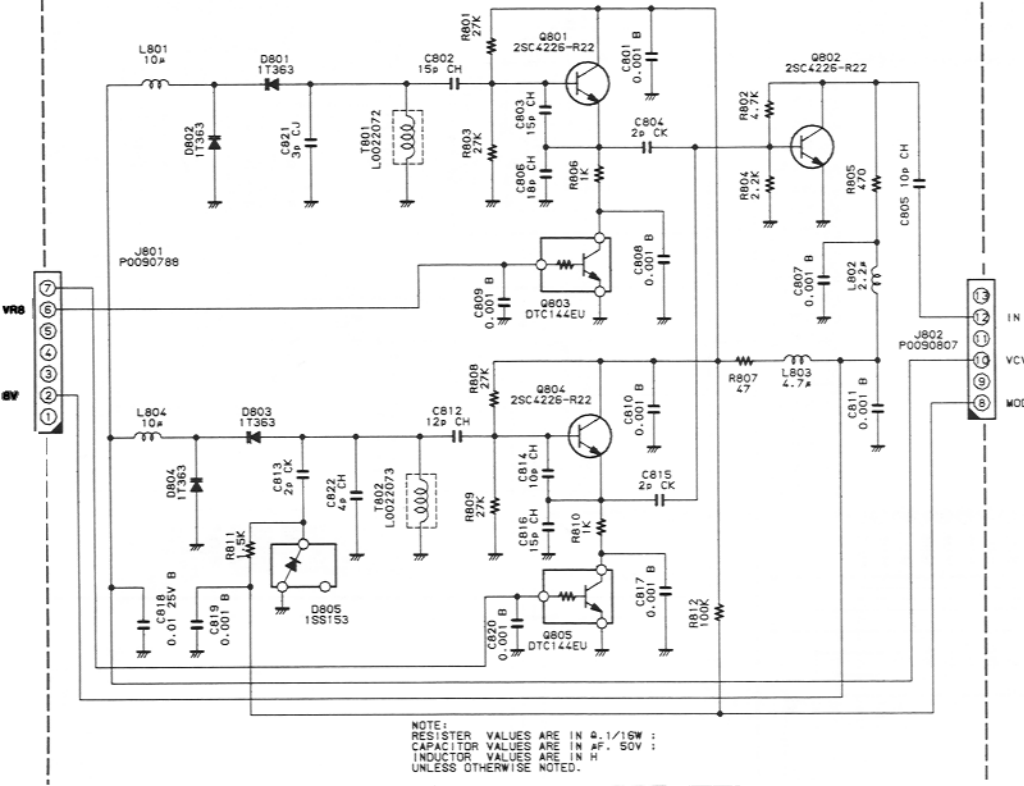


NOTE:
RESISTOR VALUES ARE IN Ω , 1/16W ;
CAPACITOR VALUES ARE IN μ F, 50V ;
(T) CAPACITOR VALUES ARE TANTALUM ;
INDUCTOR VALUES ARE IN H
UNLESS OTHERWISE NOTED.



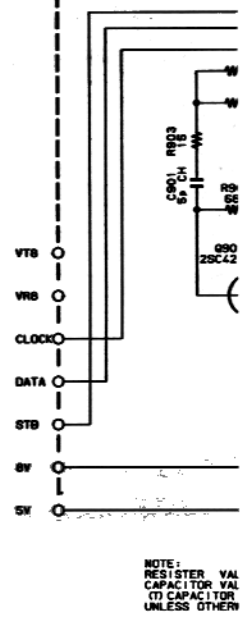
NOTE:
RESISTOR VALUES ARE IN Ω , 1/16W ;
CAPACITOR VALUES ARE IN μ F, 50V ;
(T) CAPACITOR VALUES ARE TANTALUM ;
UNLESS OTHERWISE NOTED.

144-VCO-UNIT F3169101



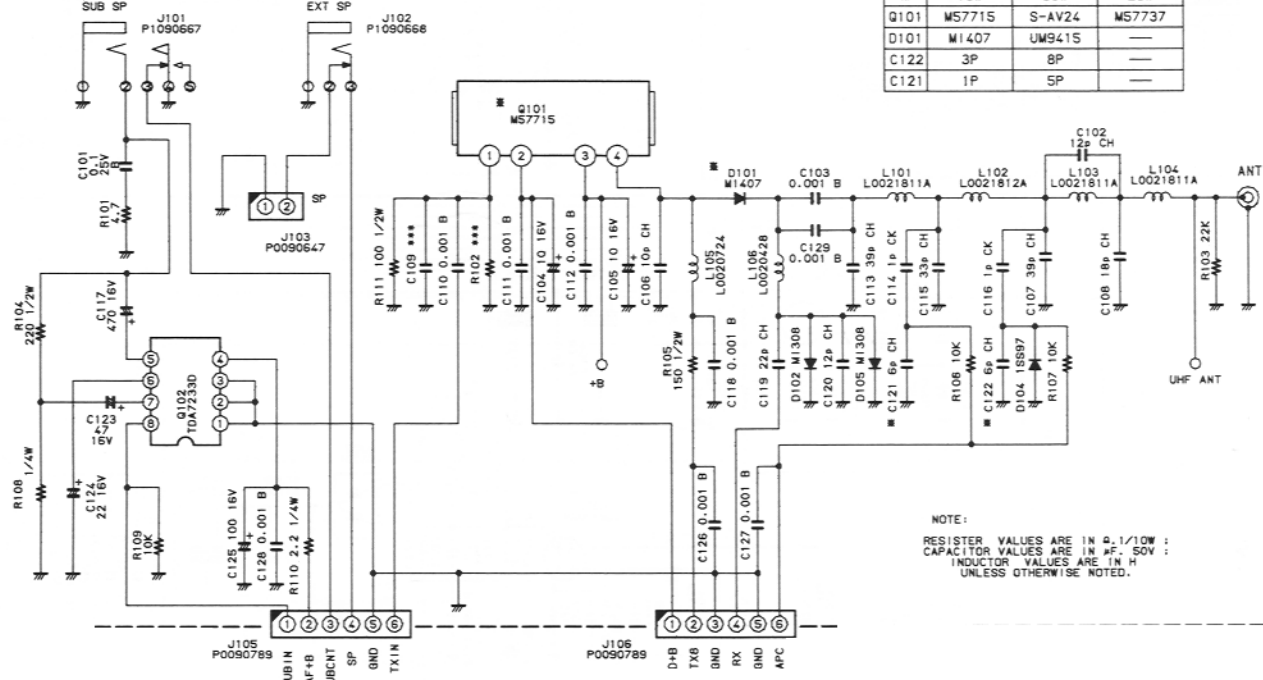
NOTE:
RESISTOR VALUES ARE IN Ω, 1/10W ;
CAPACITOR VALUES ARE IN P.F., 50V ;
INDUCTOR VALUES ARE IN H. 50V ;
UNLESS OTHERWISE NOTED.

144-PL



NOTE:
RESISTOR VAL
CAPACITOR VAL
(T) CAPACITOR
UNLESS OTHER

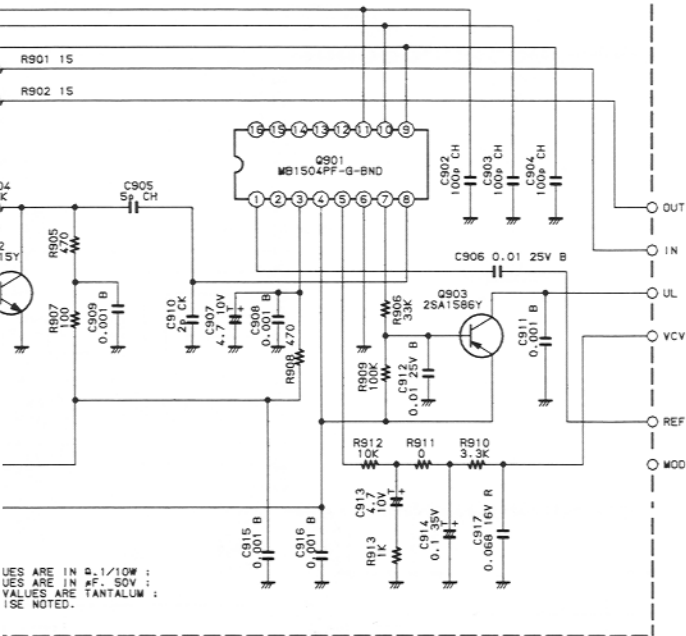
144 PA UNIT F3167101



| | 10W | 50W | 25W |
|------|--------|--------|--------|
| Q101 | M57715 | S-AV24 | M57737 |
| D101 | M1407 | UM9415 | — |
| C122 | 3P | 8P | — |
| C121 | 1P | 5P | — |

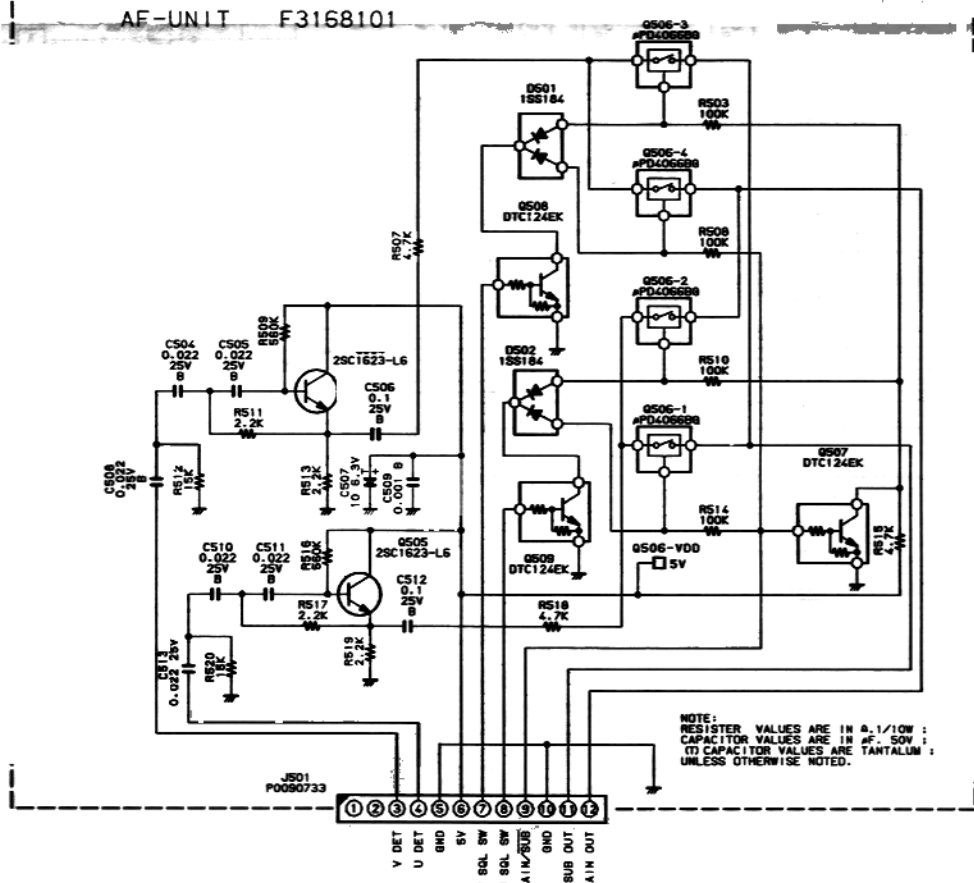
NOTE:
RESISTOR VALUES ARE IN Ω, 1/10W ;
CAPACITOR VALUES ARE IN P.F., 50V ;
INDUCTOR VALUES ARE IN H.
UNLESS OTHERWISE NOTED.

L-UNIT F3169102

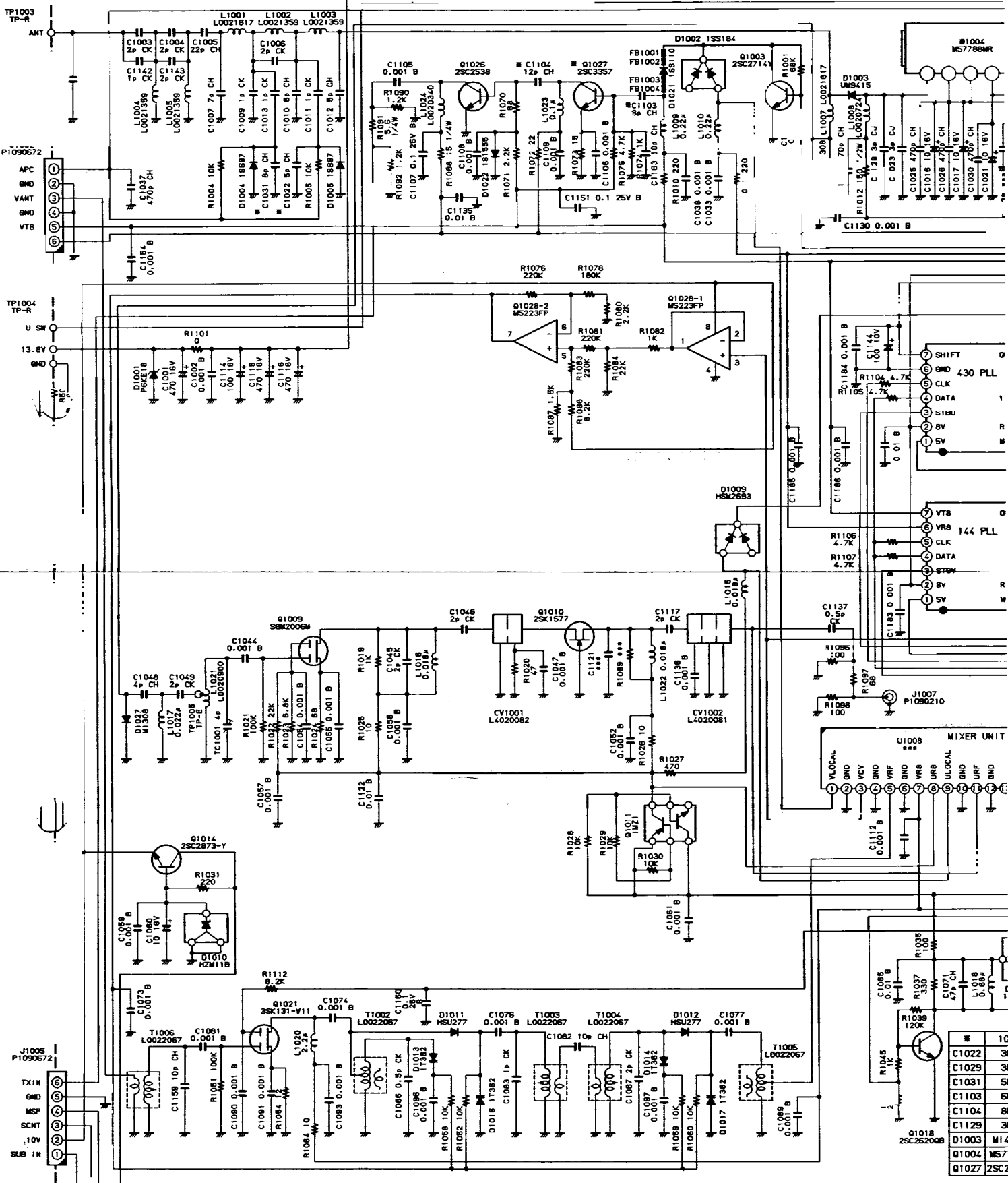


RESISTOR VALUES ARE IN Ω, 1/10W ;
 CAPACITOR VALUES ARE IN pF, 50V ;
 CAPACITOR VALUES ARE TANTALUM ;
 UNLESS OTHERWISE NOTED.

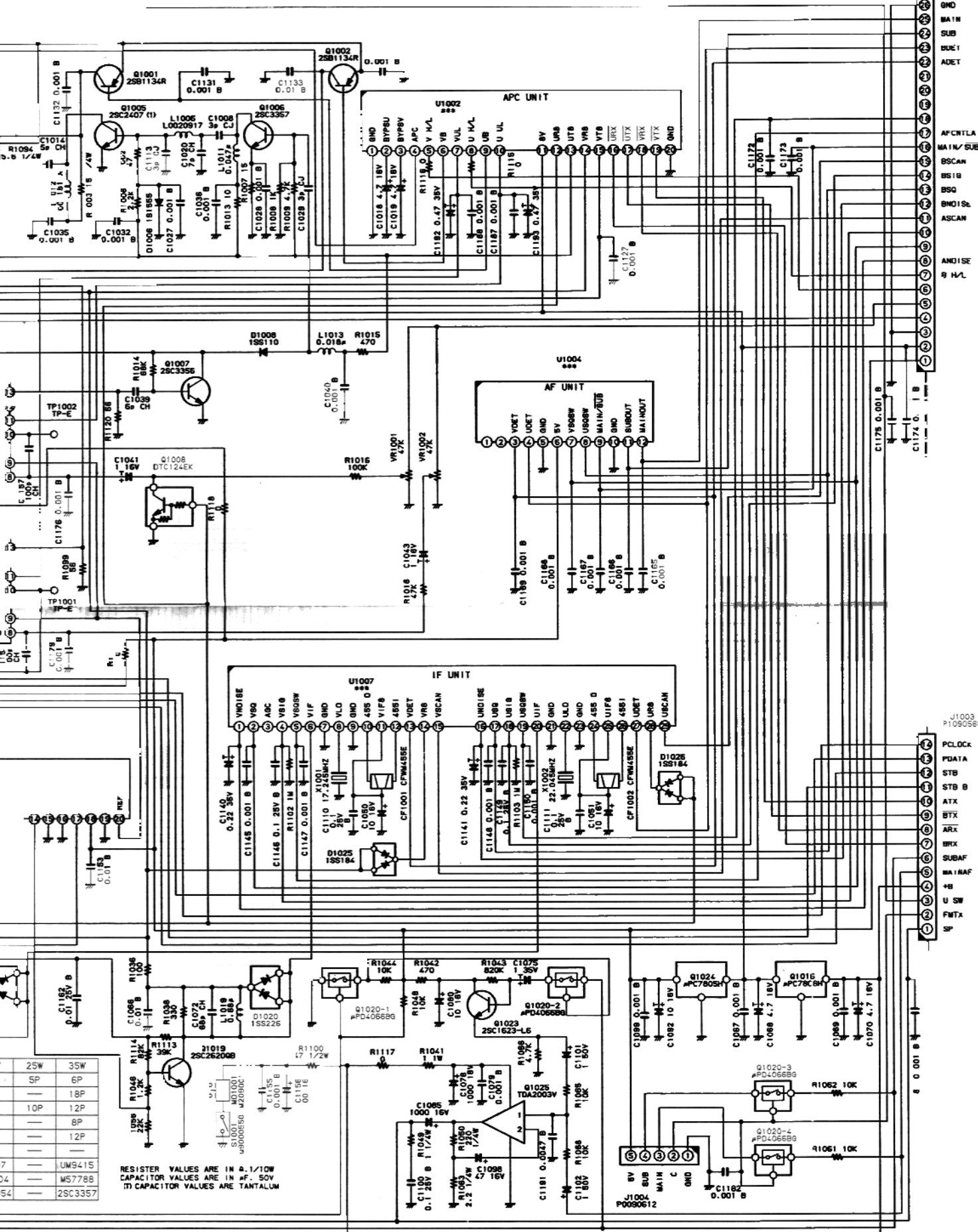
AF-UNIT F3168101



NOTE:
 RESISTOR VALUES ARE IN Ω, 1/10W ;
 CAPACITOR VALUES ARE IN pF, 50V ;
 CAPACITOR VALUES ARE TANTALUM ;
 UNLESS OTHERWISE NOTED.



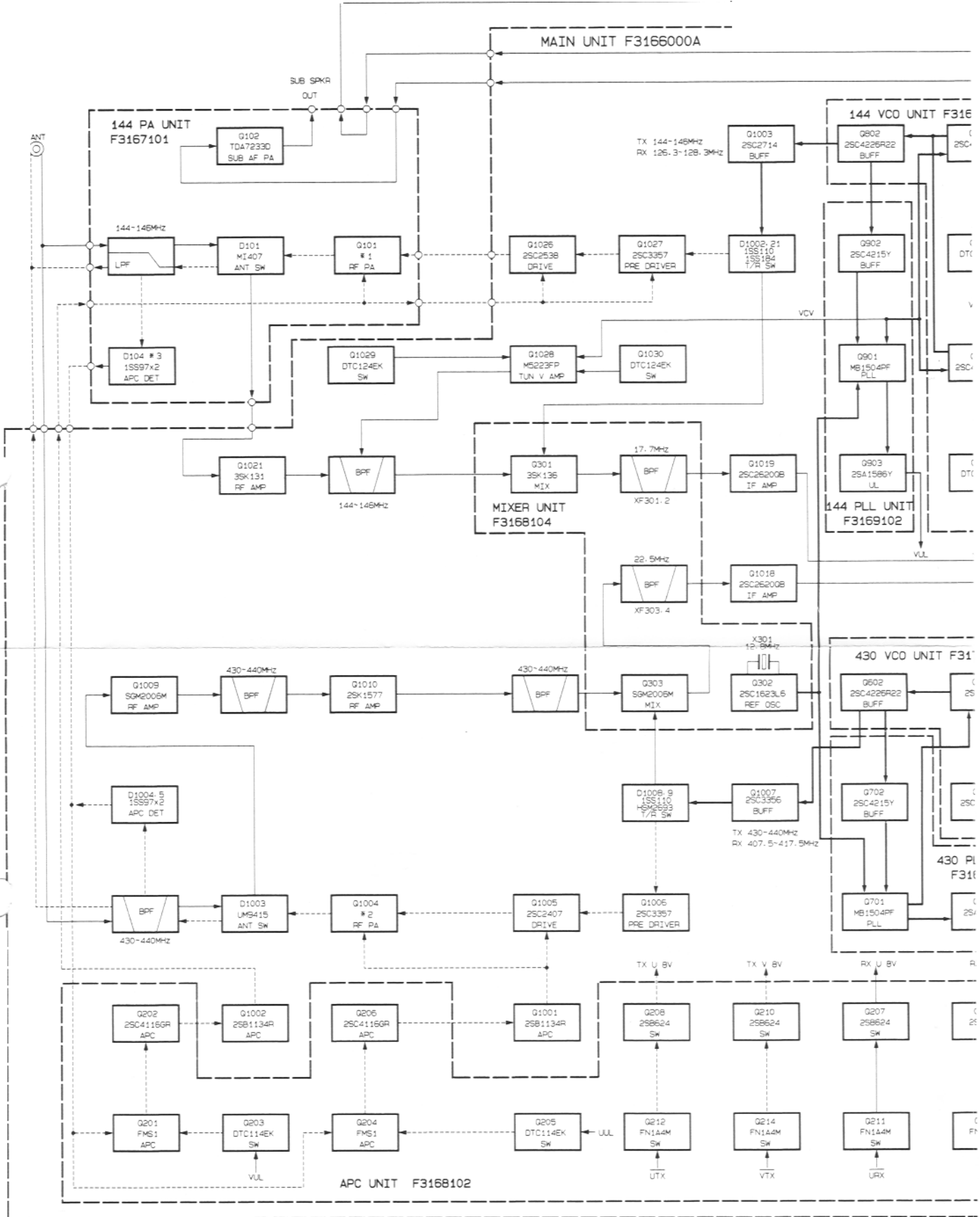
| | |
|-------|------|
| Q1022 | 1C |
| C1029 | 3M |
| C1031 | 5M |
| C1103 | 5M |
| C1104 | 5M |
| C1129 | 3M |
| D1003 | M14 |
| Q1004 | M57 |
| Q1027 | 2SC2 |



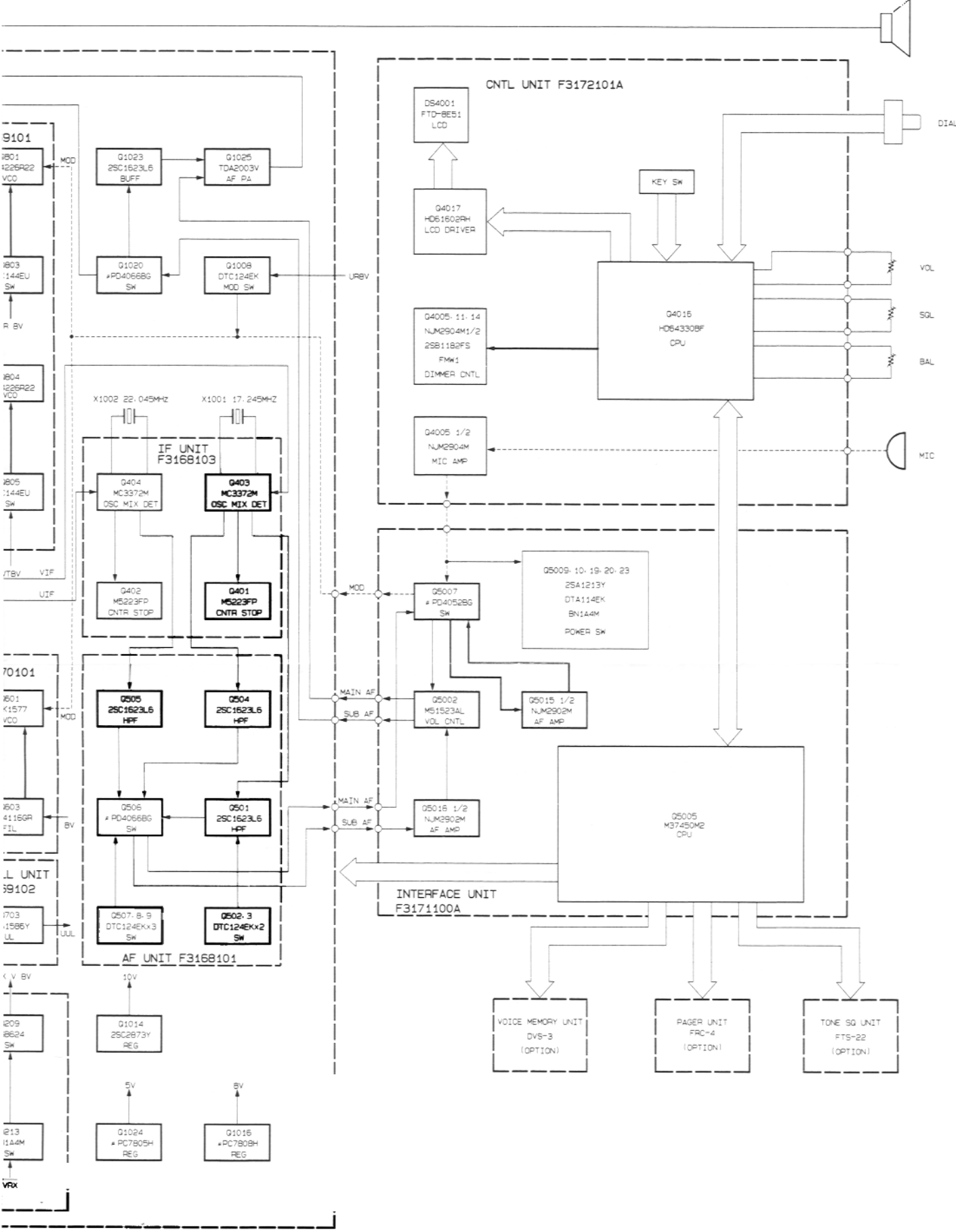
RESISTOR VALUES ARE IN Ω , 1/10W
 CAPACITOR VALUES ARE IN pF, 50V
 TD CAPACITOR VALUES ARE TANTALUM

| | |
|---------|-----|
| 25W | 35W |
| 6P | 6P |
| 18P | 18P |
| 12P | 12P |
| 8P | 8P |
| 12P | 12P |
| UM5415 | |
| MS7788 | |
| 25C3357 | |

MAIN UNIT F3166000A



| | #1 | #2 | #3 |
|---|--------|----------|-------|
| | Q101 | Q1004 | D103 |
| L | M57715 | M57704MR | — |
| M | M57737 | M57788MR | 1SS97 |
| H | S-4V24 | M57788MR | 1SS97 |



→ RX
 - - - TX
 → COMMON