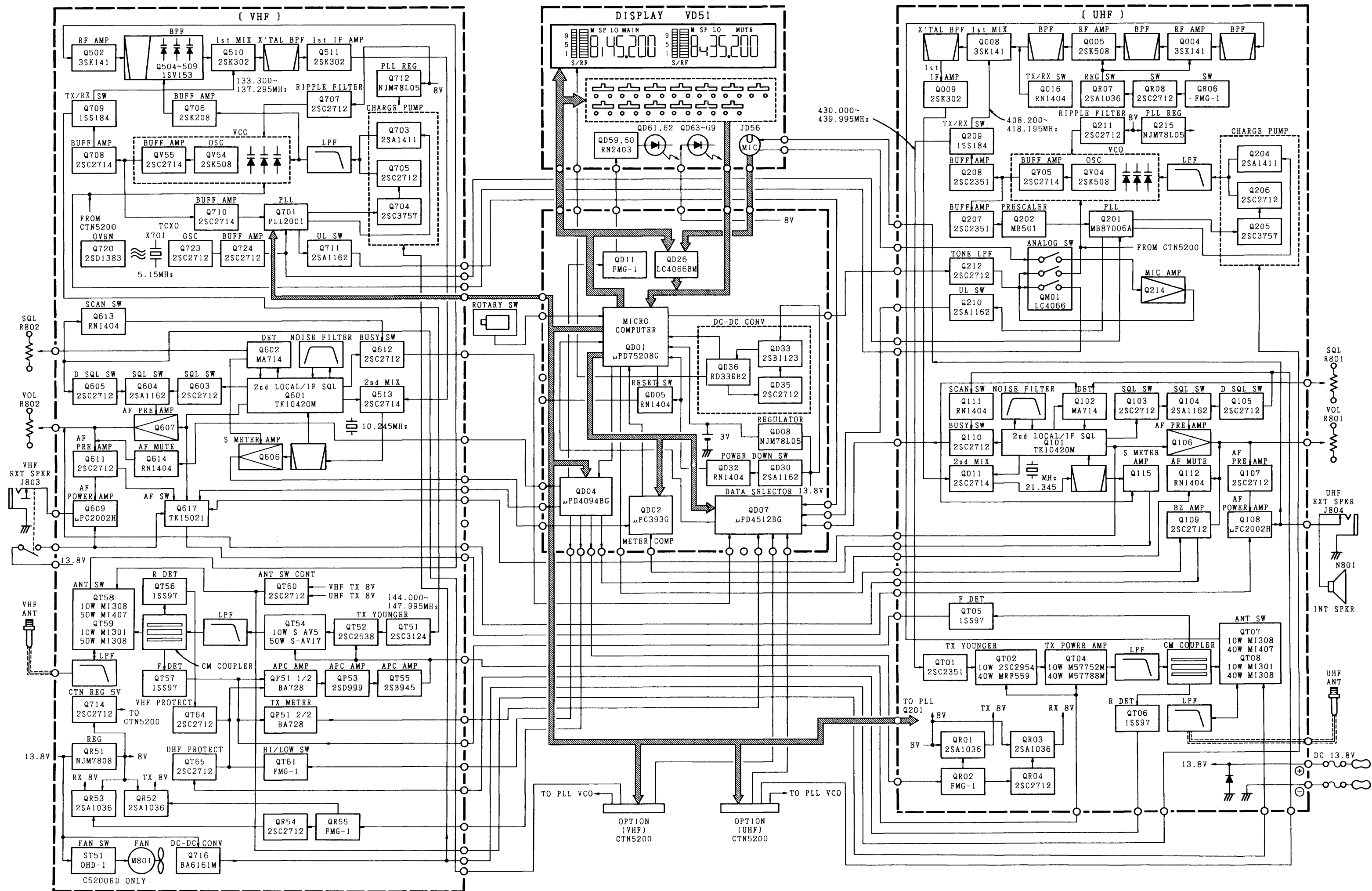


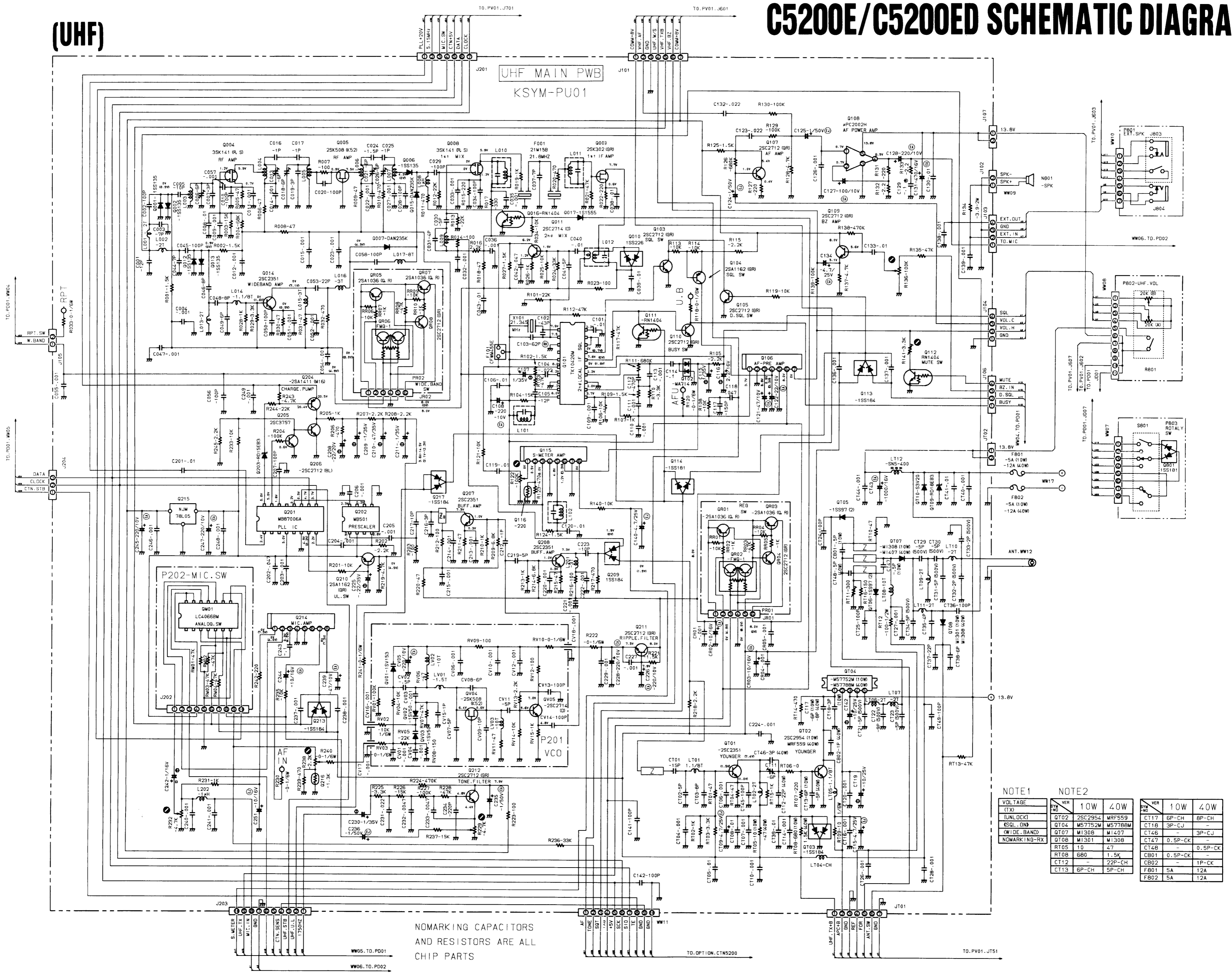
# C5200E/C5200ED BLOCK DIAGRAM



Components and wiring are subject to change for modification without notice.

(UHF)

# C5200E/C5200ED SCHEMATIC DIAGRAM



NOMARKING CAPACITORS  
AND RESISTORS ARE ALL  
CHIP PARTS

NOTE1

VOLTAGE	10W	40W
(TX)	Q702 2SC2954	WRFS59
(UNLOCK)	Q704 M57752M	M5778BM
(SQL. DN)	Q707 M1308	M1407
(WIDE BAND)	Q708 M1301	M1308
(NOMARKING-RX)	RT05 10	47
	RT08 680	1.5K
	CT12 22P-CH	
	CT13 6P-CH	5P-CH

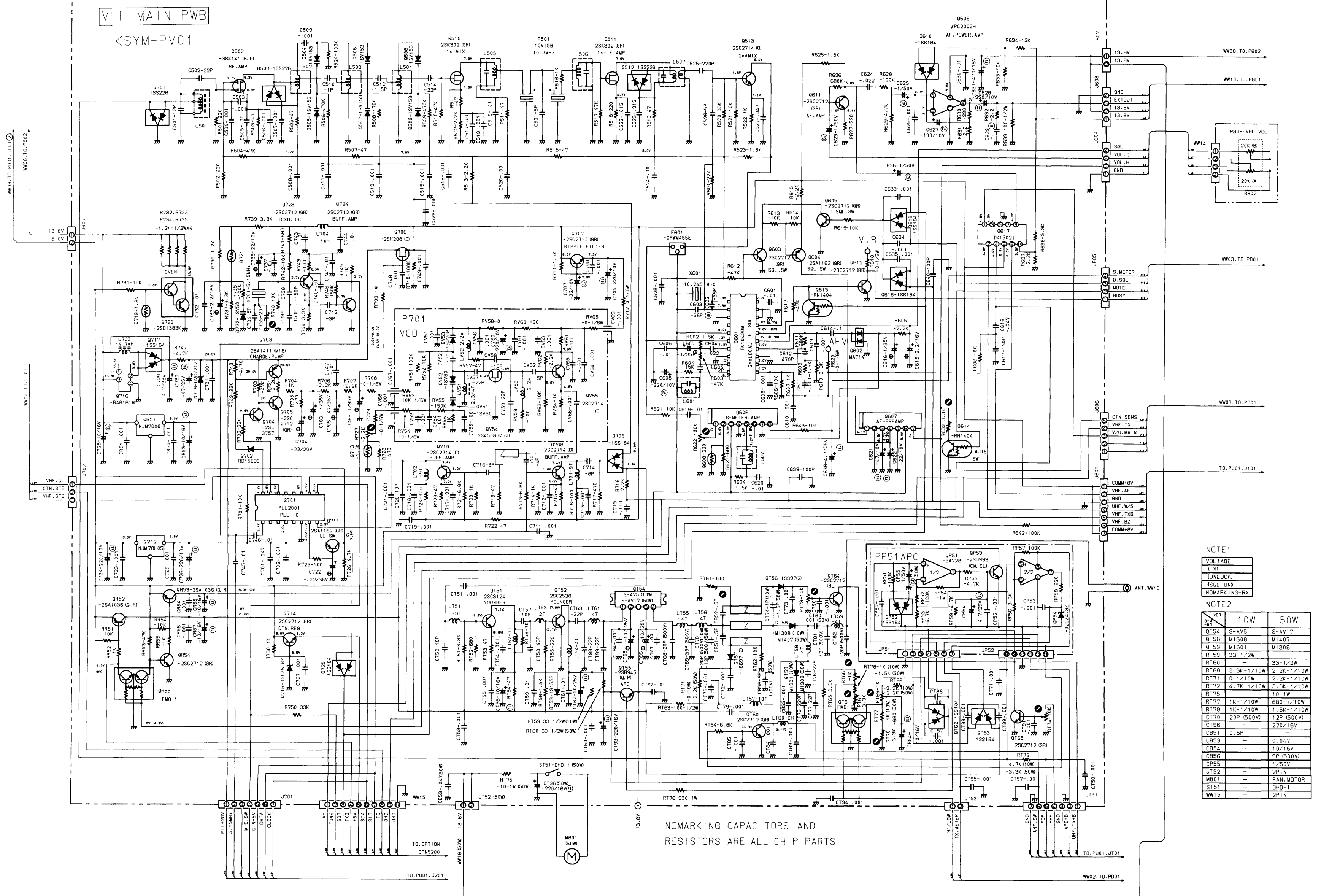
NOTE2

VOLTAGE	10W	40W
	CT17 6P-CH	8P-CH
	CT18 3P-CJ	
	CT46	3P-CJ
	CT47	0.5P-CK
	CT48	0.5P-CK
	CB01	0.5P-CK
	CB02	1P-CK
	F801	5A 12A
	F802	5A 12A

(VHF)

VHF MAIN PWB

KSYM-PV01



NOTE1

VOLTAGE	
(TX)	
(UNLOCK)	
(SQL_ON)	
NGMARKING-RX	

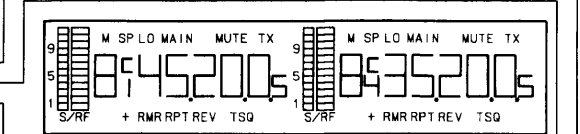
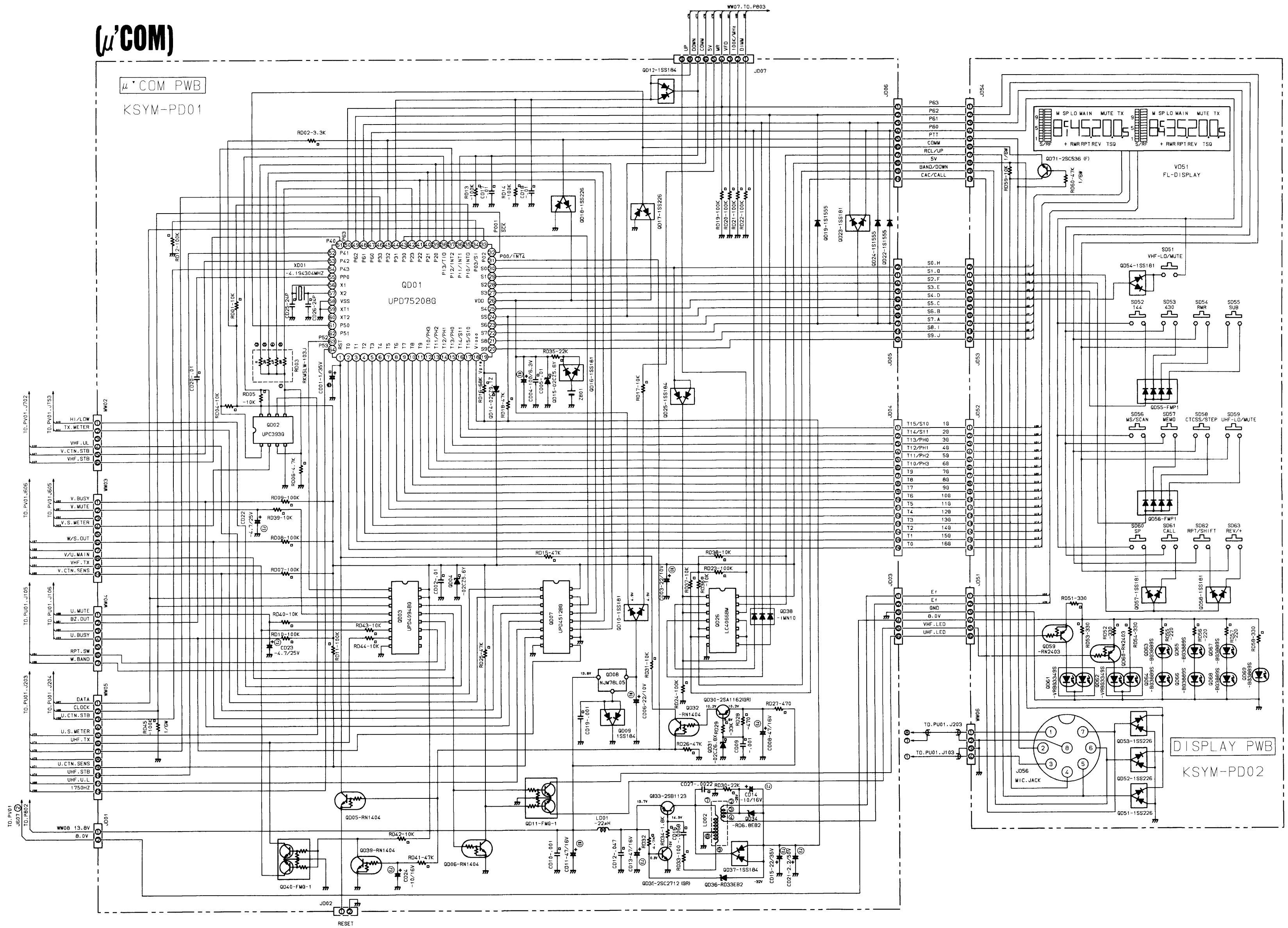
NOTE2

REF	10W	50W
Q154	S-AV5	S-AV17
Q155	M130B	M1407
Q156	M1301	M130B
R159	33-1/2W	-
R160	-	33-1/2W
R161	3.3K-1/10W	2.2K-1/10W
R171	0-1/10W	2.2K-1/10W
R172	4.7K-1/10W	3.3K-1/10W
R175	-	10-1W
R177	1K-1/10W	680-1/10W
R178	1K-1/10W	1.5K-1/10W
C170	20P (500V)	2P (500V)
C196	-	220/16V
C851	0.5P	-
C853	-	0.047
C854	-	10/16V
C856	-	9P (500V)
CP55	-	1/50V
J152	-	2PIN
M801	-	FAN MOTOR
ST51	-	OHD-1
WW15	-	2PIN

NGMARKING CAPACITORS AND RESISTORS ARE ALL CHIP PARTS

(μ'COM)

μ'COM PWB  
KSYM-PD01



QD71-2SC536 (F)  
R059-47K 1/8W  
VDS1  
FL-DISPLAY

SD51 VHF-LQ/MUTE  
SD52 144  
SD53 430  
SD54 RMR  
SD55 SUB

SD56 MS/SCAN  
SD57 MEMO  
SD58 CTCSS/STEP  
SD59 UHF-LQ/MUTE

SD56-FMP1  
SD57 CALL  
SD58 RPT/SHIFT  
SD59 REV/+

QD59 -VBR334SS  
QD58 -VBR334SS  
QD57 -VBR334SS  
QD56 -VBR334SS  
QD55 -VBR334SS  
QD54 -VBR334SS  
QD53 -VBR334SS  
QD52 -VBR334SS  
QD51 -VBR334SS

QD53-1SS226  
QD52-1SS226  
QD51-1SS226

DISPLAY PWB  
KSYM-PD02

