

The +3 has been designed specifically for the CB, business radio, and communications field. The +3 utilizes a transistorized amplifier, providing a gain of 33 db over conventional ceramic base station microphones. The +3, with its high output level, has the capability of fully modulating any transmitter.

Base Station  
Communications



MODEL +3  
FIGURE 1

# SPECIFICATIONS

for  
+3

Transistorized Microphone

The ceramic generating element of the +3 is unaffected by temperature or humidity. The amplifier uses rugged silicon transistors for maximum temperature stability. The amplifier is constructed on a printed circuit board. The +3 uses a rugged die cast case, finished in a light silver grey baked enamel with black touch bar. The cable is a 3 conductor, 1 shielded, coiled cord with black PVC jacket.

The +3 microphone is activated by pressing down on the touch bar. This applies power to the transistorized amplifier, while performing the necessary switching of the red and black conductors used to actuate the transceiver or transmitter. The touch bar may be locked in the "on position" by moving the "slide lock" forward.

The output level of the +3 is easily adjusted by a volume control located in the base of the microphone. See Figure 1. The +3 has a tailored frequency response of 300-3,500 hz with a rising characteristic. This means maximum speech intelligibility in your transmissions with a reduction of local noise interference.

The +3 adapts easily to either on/off relay switching (Figure 3) or switching conductors to ground, commonly referred to as "electronic switching" (Figure 2), by simply changing the position of the locking slide switch on the bottom of the microphone.

**Sensitivity:** -23 db (0 db = 1 volt per microbar), when operating below compression level

**Output Impedance:** 5,000 ohms

**Amplifier Voltage Gain:** 0 to 33 db, adjustable

**Temperature Range:** -30° C to +65° C

**Battery Drain:** 1.2 ma.

**Battery Life:** Approx. 6 months, based on average usage

**Battery Type:** Burgess 2U6, Eveready 216, Ray-o-vac 1604, or RCA VS-312. Battery is included.

**Finish:** Light silver grey, baked enamel

**Weight:** 2 lbs. less cable. Shipping weight 4 lbs.

**Cable:** 3 conductor, 1 shielded, coiled cord with black PVC jacket

**Switching:** Adapts to either "electronic" switching or on-off relay switching.

White lead is signal lead and wrap shield is cable and microphone ground.

## TURNER

### MICROPHONES

TURNER DIVISION OF CONRAC CORPORATION  
909 17th Street N.E., Cedar Rapids, Iowa 52402  
(319) 365-0421 • Telex: 464437

## Transistorized Microphone

The +3 was designed to fill the need of a base station microphone with high modulation level capability. It is for use with all types of communication transmitters and transceivers, particularly business radio and CB.

The +3 can be easily adapted to almost any transmitter. The white wire is the signal ("hot") lead and the shield provides a ground connection between microphone case and transmitter case/ground. The black and red leads provide the necessary control switching as shown in Figures 2 and 3. When replacing another microphone with the +3, consult the equipment manual for proper wiring of the connector (if connector is used) and for proper position of the slide switch located on the bottom of the +3. If an equipment manual is not available, then care should be taken to analyze the microphone being replaced to determine connector connections and type of switching needed. Experience indicates that most difficulties in replacing a microphone occur as a result of poor workmanship in making up the connector. Avoid excessive heat which can damage insulation and keep exposed leads short to prevent shorting within the connector.

In case of difficulty, please do not tamper with the microphone as this will void the factory warranty. Contact factory for further instructions.

**A LOSS IN MODULATION LEVEL MEANS A LOSS IN EFFECTIVE COMMUNICATIONS RANGE OF YOUR EQUIPMENT.**

Many transceivers do not have sufficient amplification or adjustment of modulator amplification to be used conveniently with a base station microphone. The +3 is designed to be used at 8" to 16". An additional gain of approximately 18 db is required when changing from a hand held close talk microphone to a base station microphone at 16". The volume/gain control on the +3 should be set at the midpoint initially when changing from a close talk microphone. Remember that this is a starting point and your modulation level should be verified on a monitor scope. Insufficient modulation will cut your effective range and ~~limit your ability to overcome local QRM conditions.~~

The +3 amplifier employs compression to aid in optimum operation of a transmitter. With the volume control properly adjusted the user can speak close to the microphone or farther away, over a range of 6 to 1, without changing the modulation percentage. Also, variations in the loudness of the user's speech will be smoothed out for essentially constant modulation.

FIGURE 2

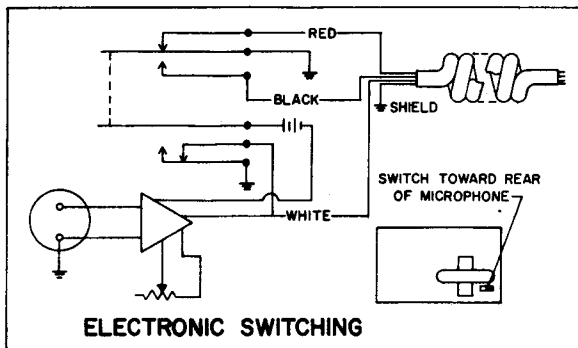
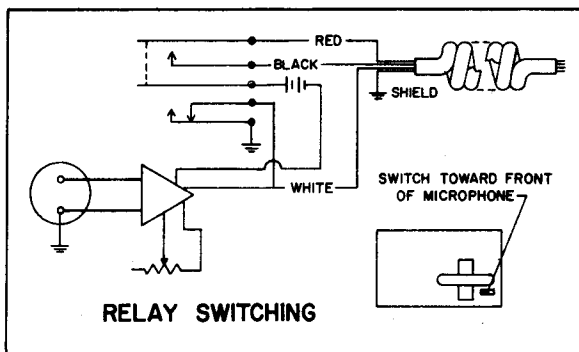


FIGURE 3



### BATTERY REPLACEMENT:

The battery in the base of the microphone should be replaced as needed with one of the types listed under "Specifications." Turn the battery hold down, spring clamp 90 degrees and remove the battery. Unclip the connector from the battery and install a fresh battery making sure the new battery is in position and well secured by the spring clamp.

### GUARANTEE

All Turner Model + 3 microphones are individually and thoroughly tested before leaving the factory and are guaranteed by the Turner Division, Conrac Corporation, against defective materials and workmanship for one year, provided that the instructions are fully complied with and that the units are not opened, except for battery replacement, or tampered with in any way. Microphones covered by this warranty should be returned to the factory and will be repaired or replaced at no cost other than transportation one way.

# TURNER MICROPHONES

TURNER DIVISION OF CONRAC CORPORATION  
909 17th Street N.E., Cedar Rapids, Iowa 52402  
(319) 365-0421 • Telex: 464437

**CONRAC**

PRINTED IN U.S.A.