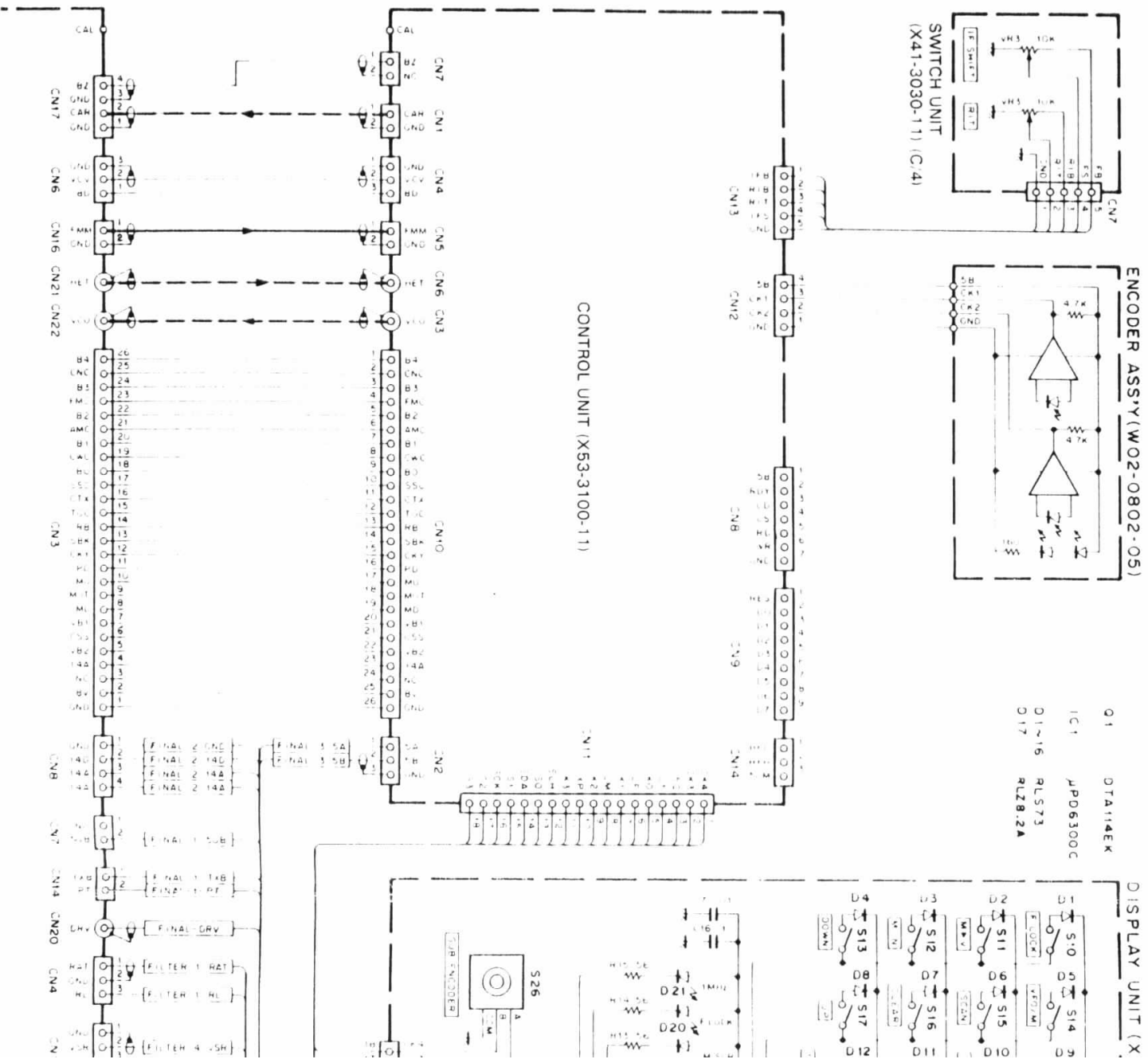
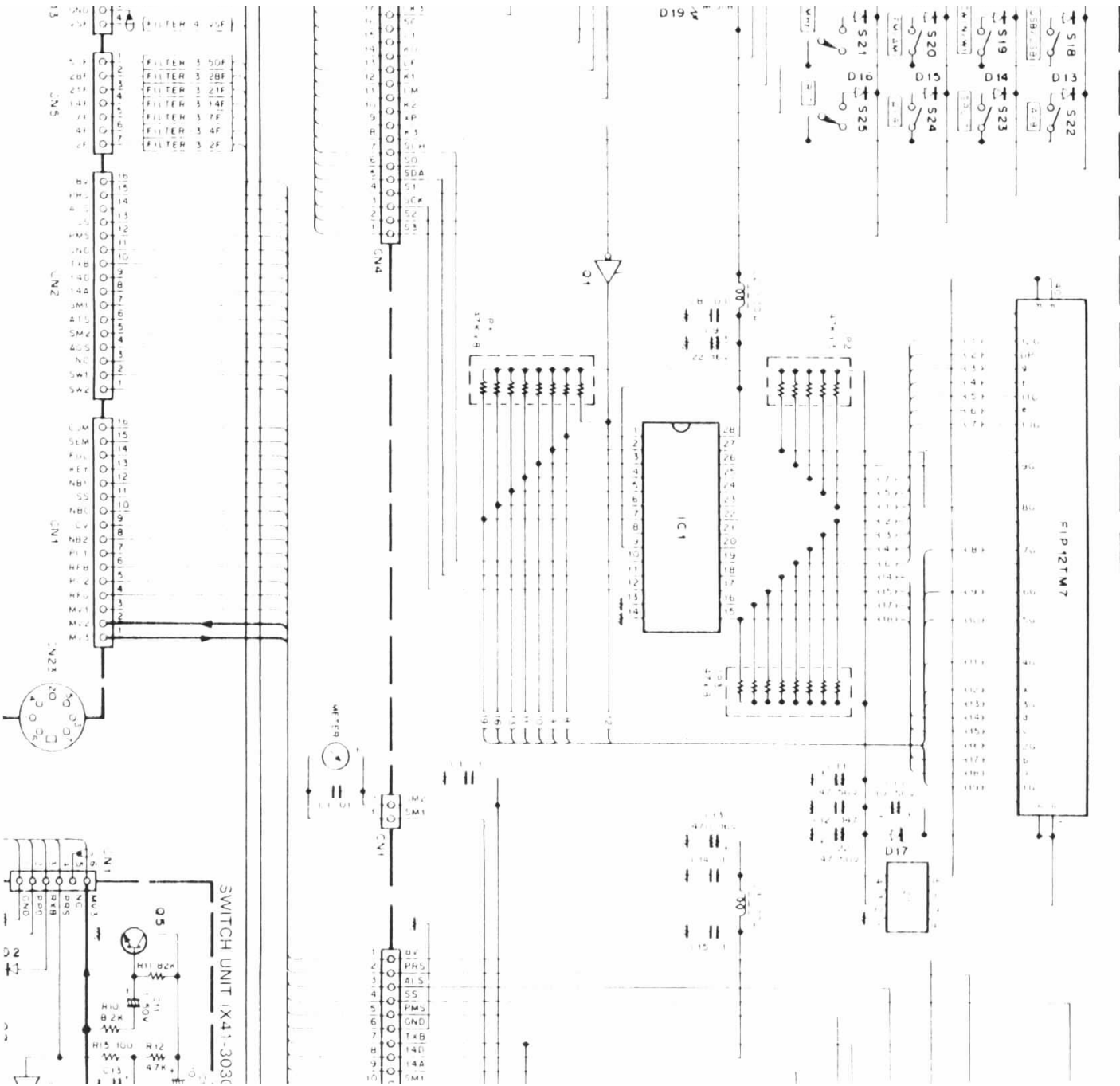


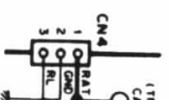
# 5-6-2. TS-680S

## SCHEMATIC DIAGRAM





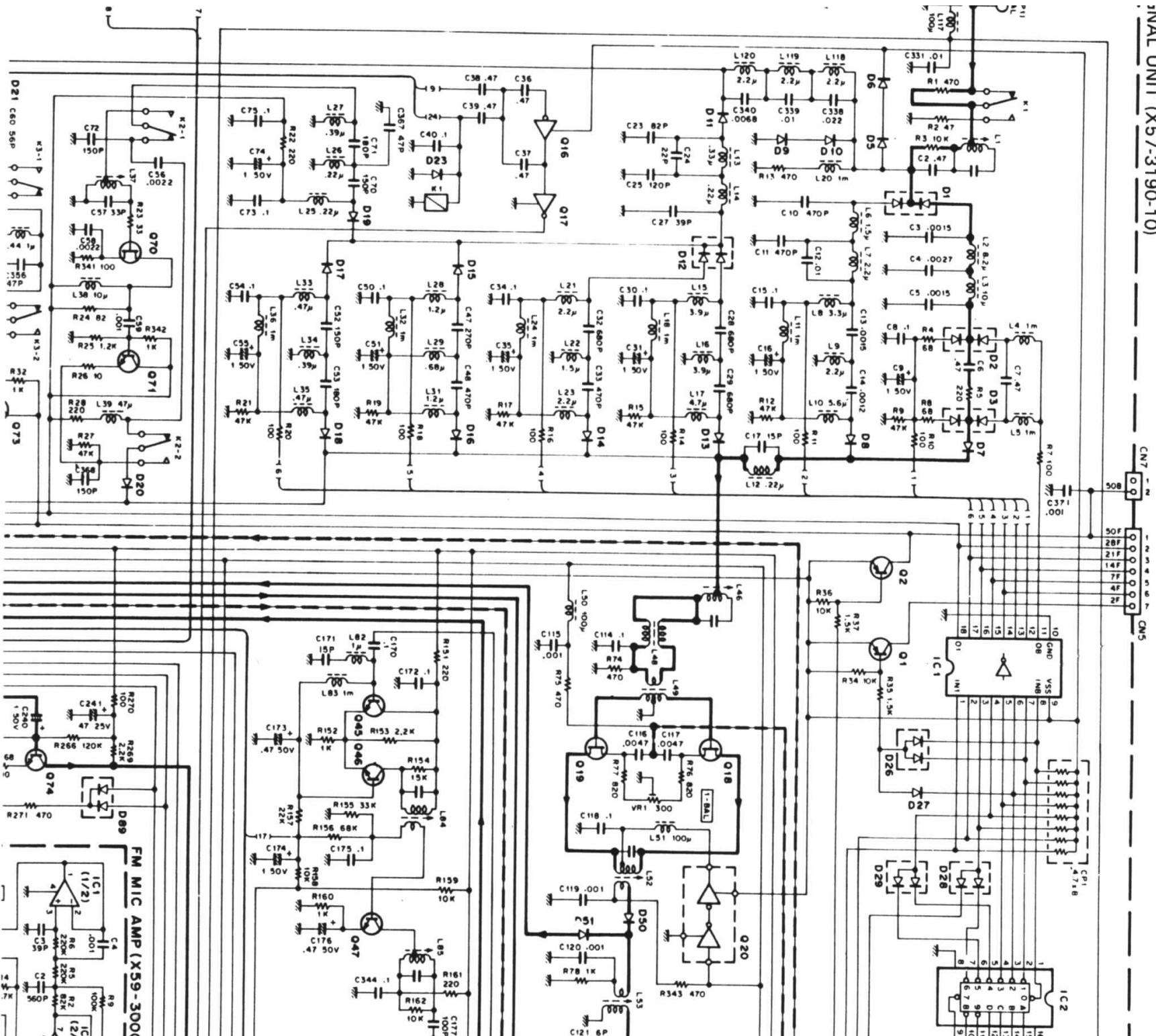
S4-3050-00) (A/2)

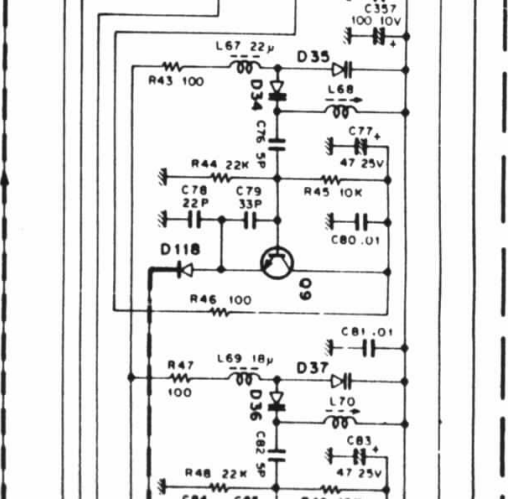
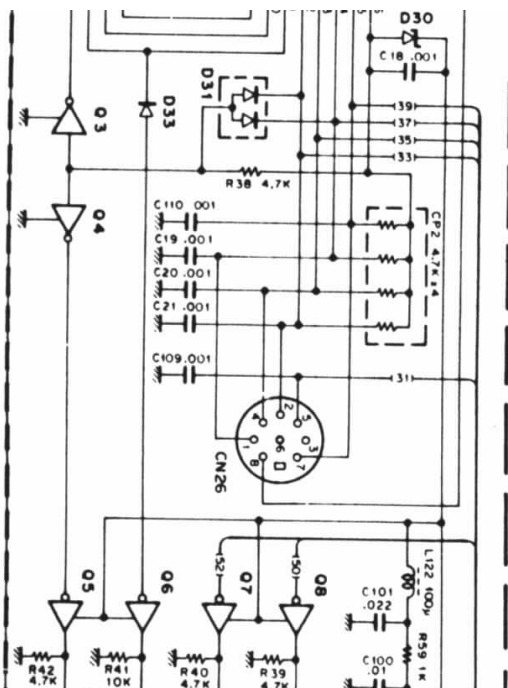
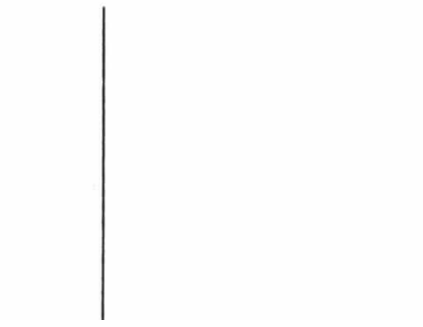
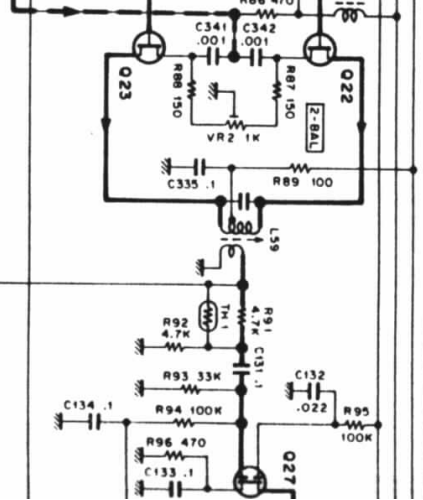
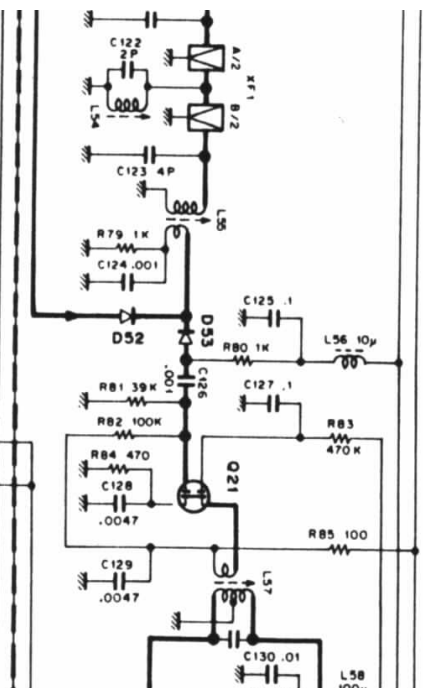
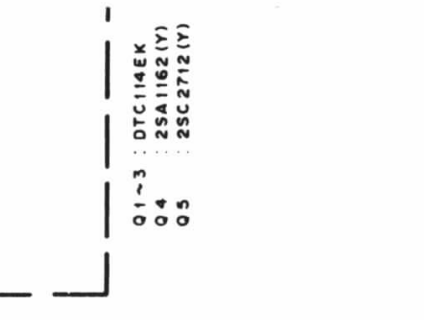
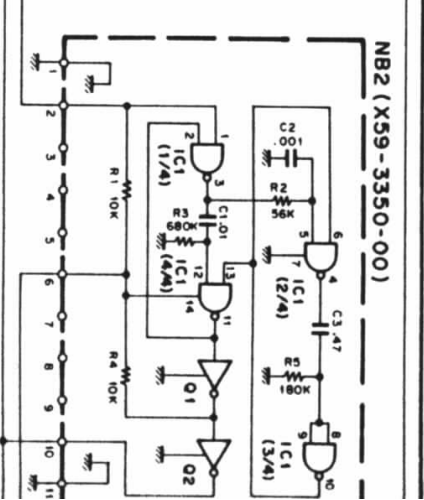
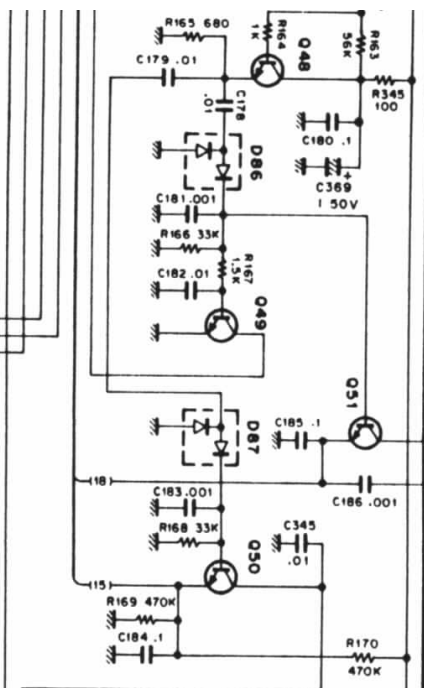
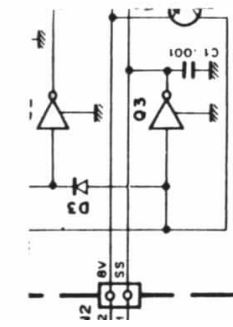
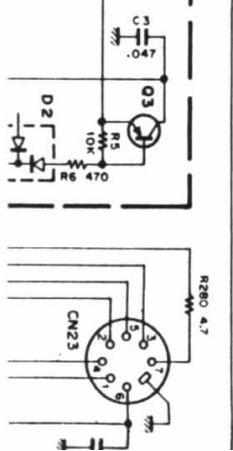
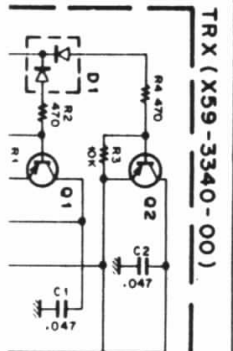
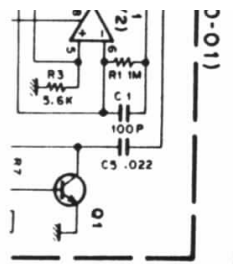


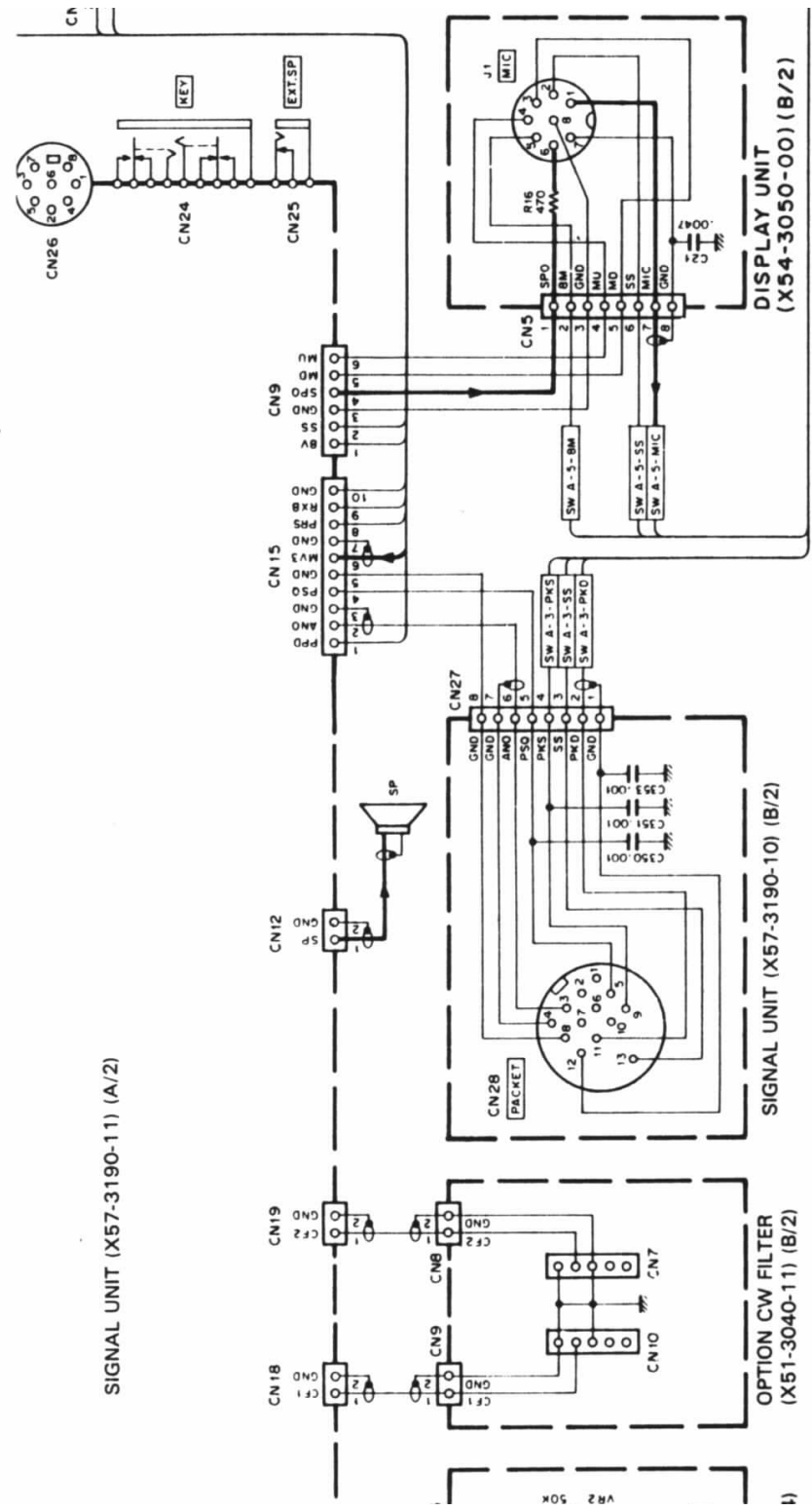
SIC

# SIGNAL UNIT (X57-3190-10)

SIGNAL UNIT (X57-3190-10)





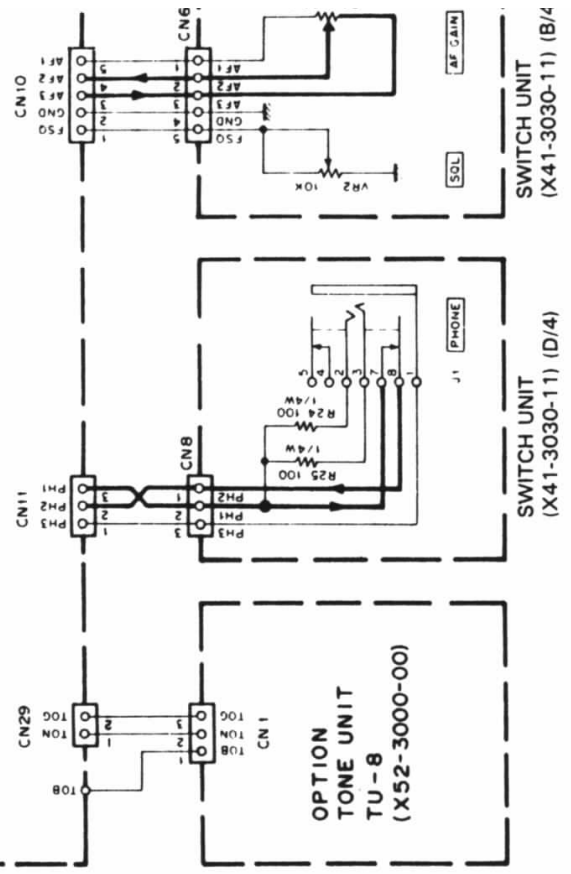
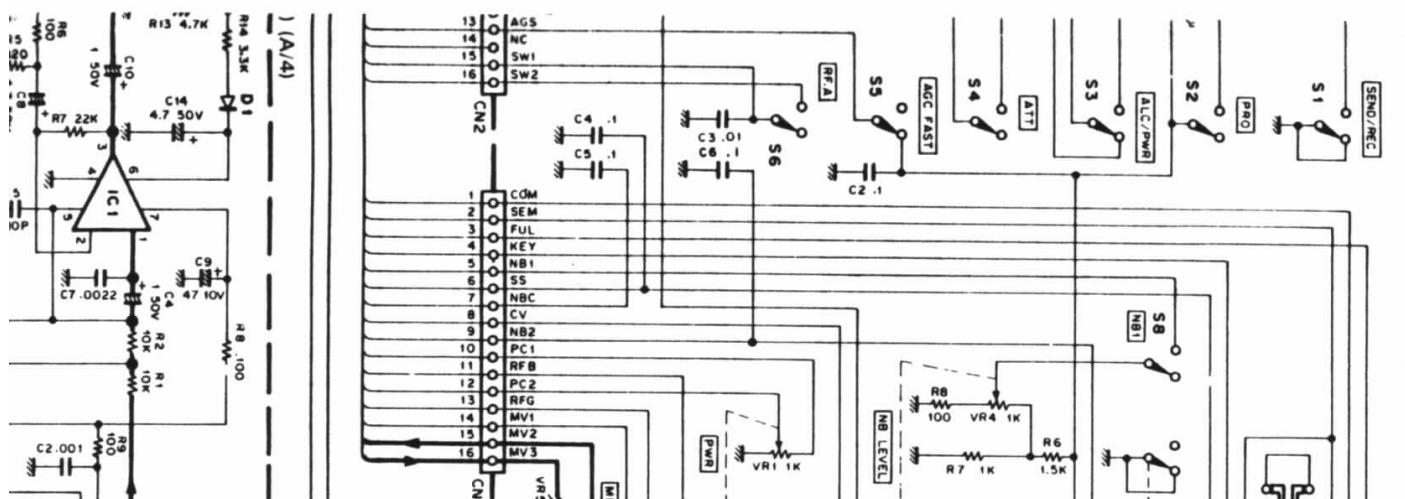


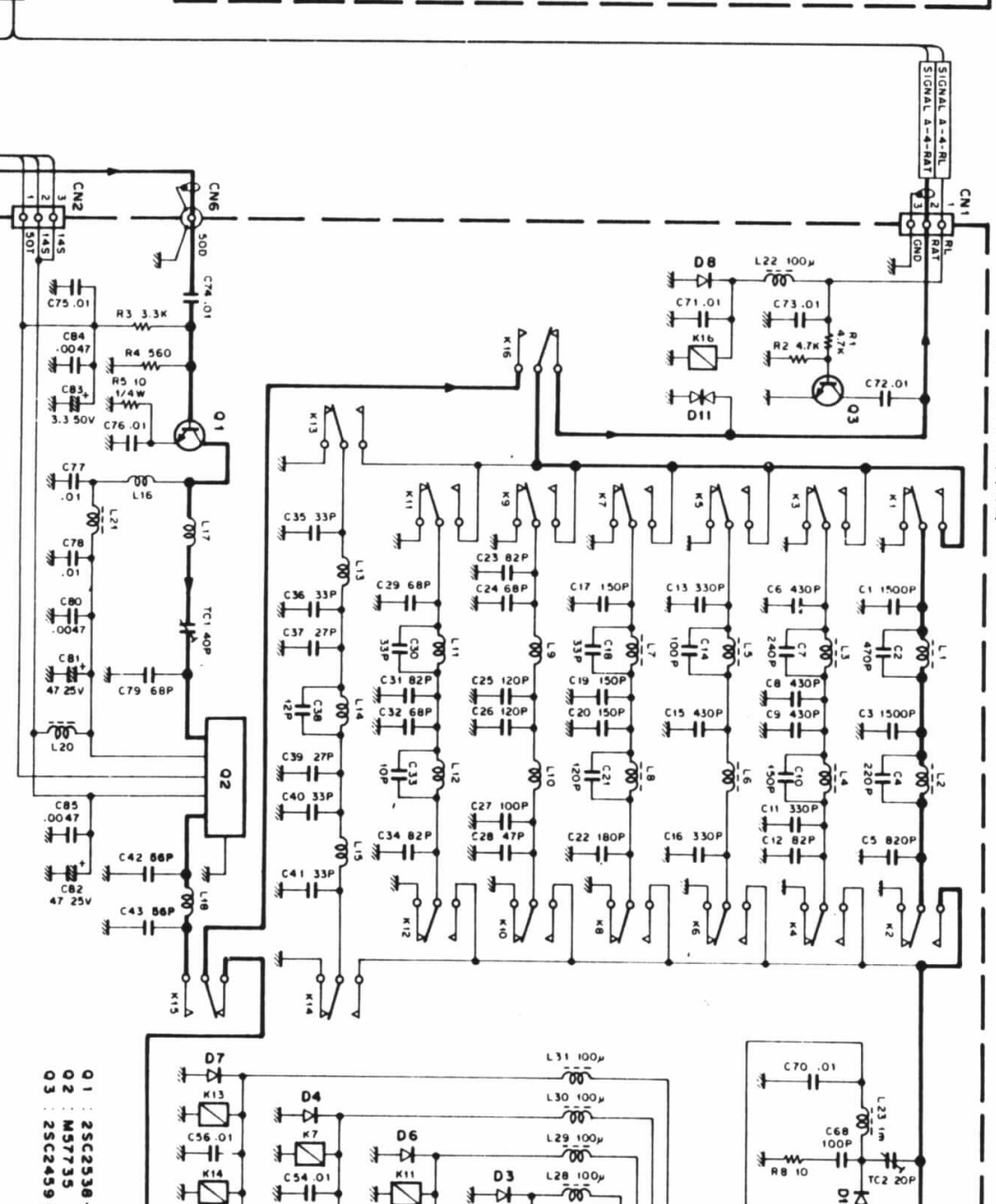
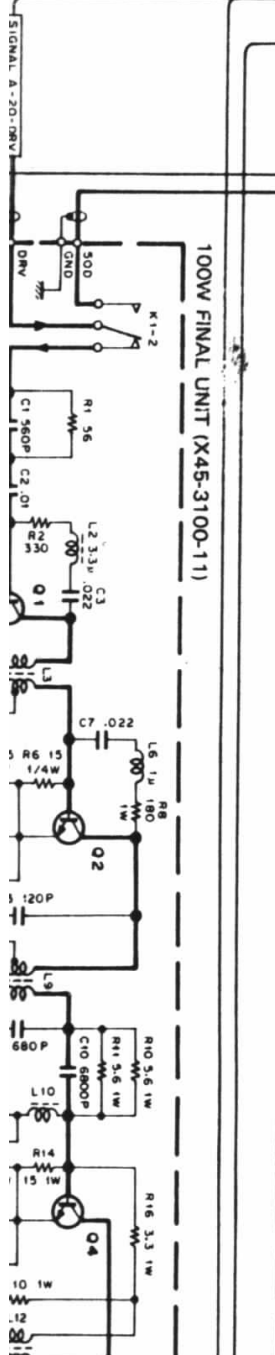
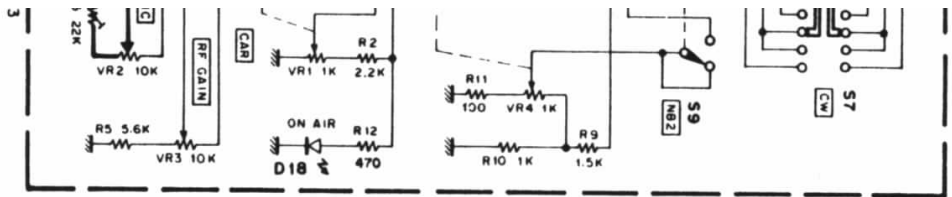
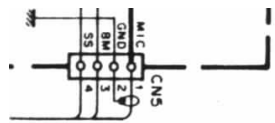
SIGNAL UNIT (X57-3190-11) (A/2)

SIGNAL UNIT (X57-3190-10) (B/2)

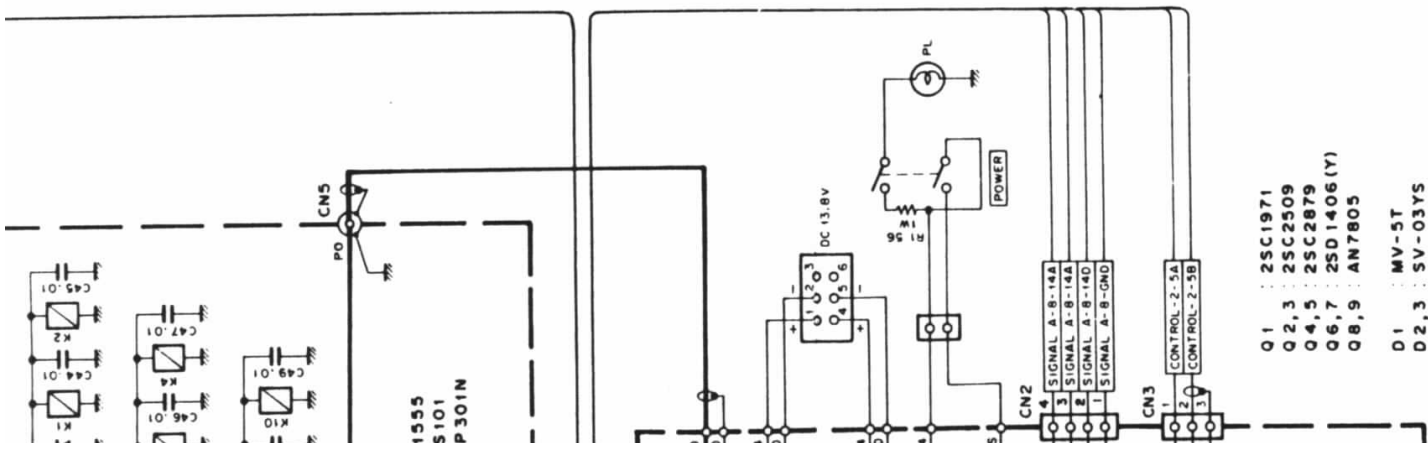
OPTION CW FILTER (X51-3040-11) (B/2)

DISPLAY UNIT (X54-3050-00) (B/2)



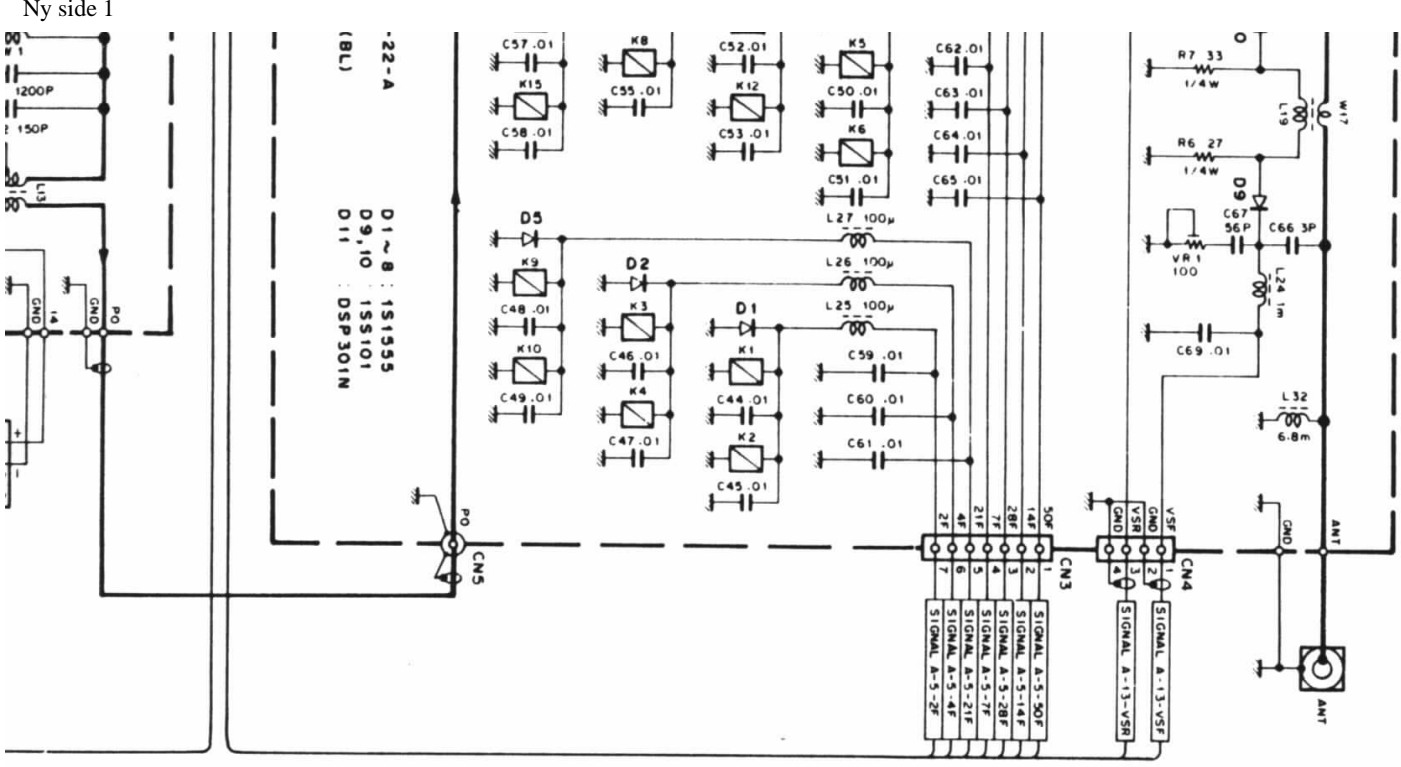


- Q1 : 25C2538
- Q2 : M57735
- Q3 : 25C2459

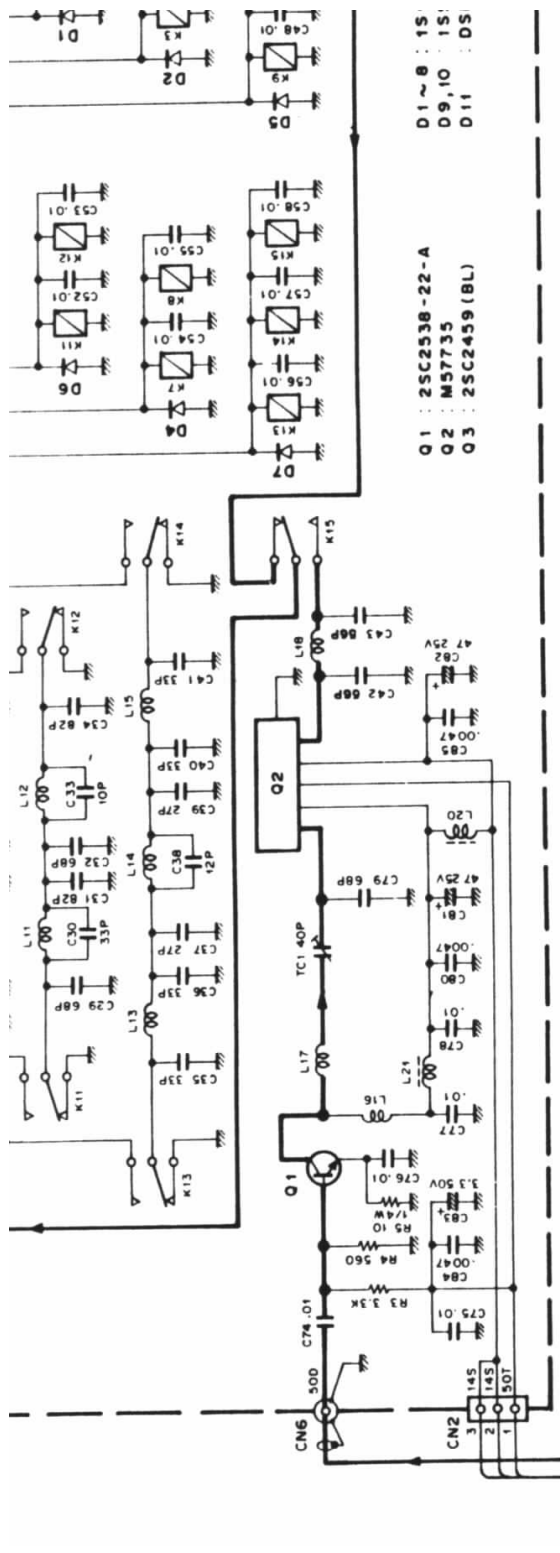


- Q 1 : 25C1971
- Q 2,3 : 25C2509
- Q 4,5 : 25C2879
- Q 6,7 : 2SD1406(Y)
- Q 8,9 : AN7805
- D 1 : MV-5T
- D 2,3 : SV-03YS
- D 4,5 : 1S1555
- D 6 : SG-5LR
- D 7 : MTZ8.2JA
- TH 1 : 5TP41L
- (X59-3370-00)
- Q 1 : 25C2712(Y)
- IC 1 : NJM4558M

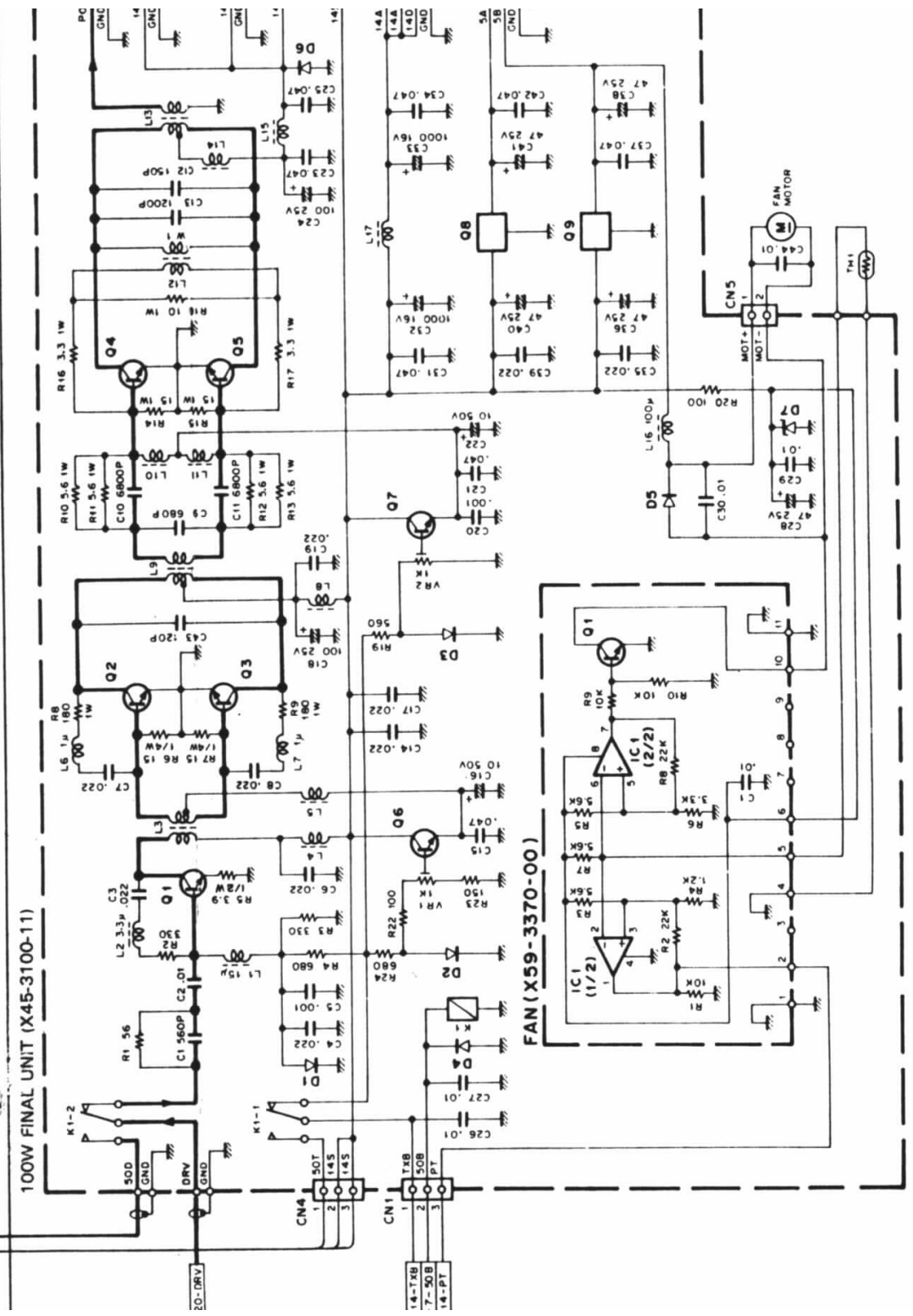
ncements in technology.



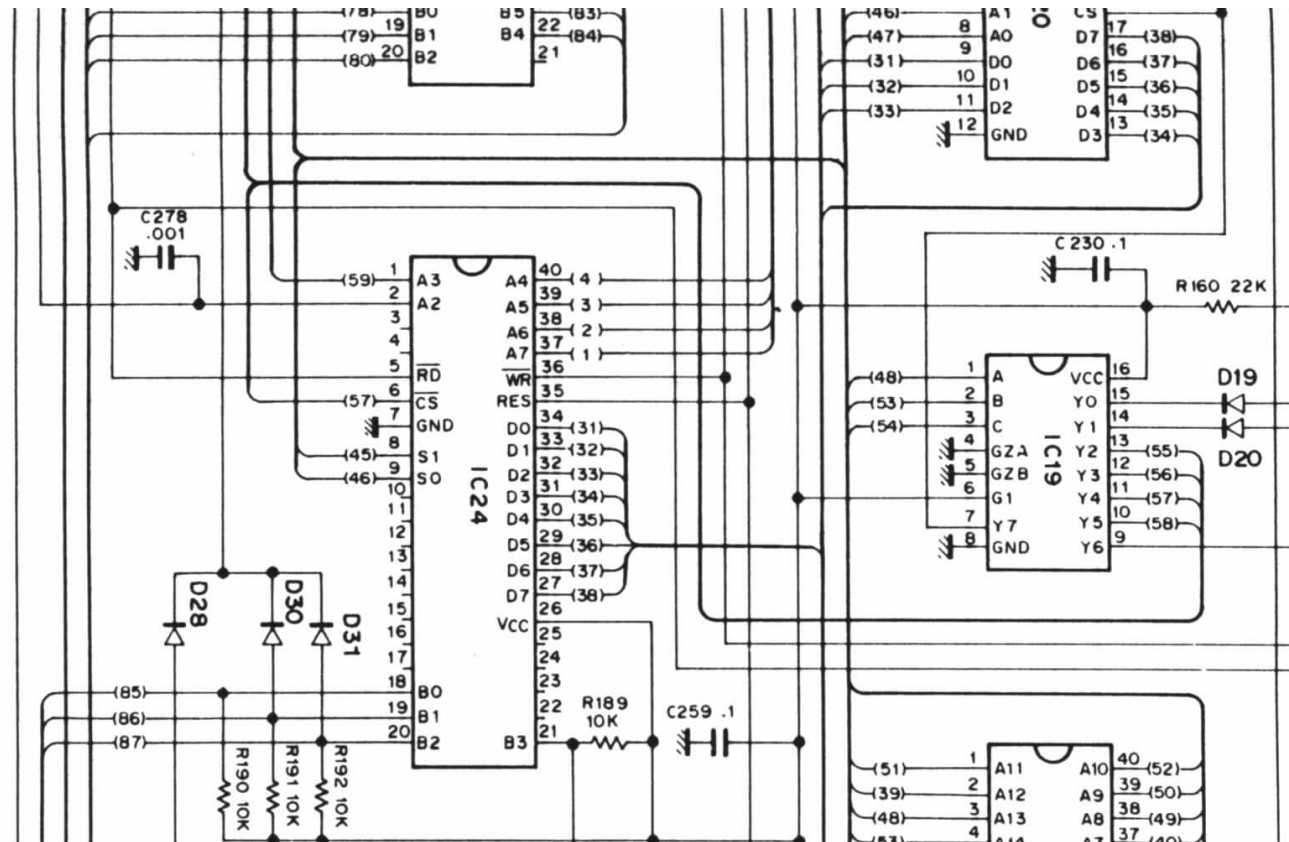
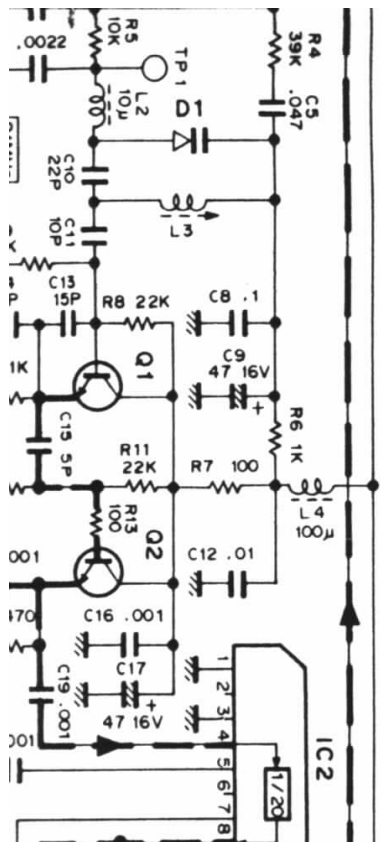
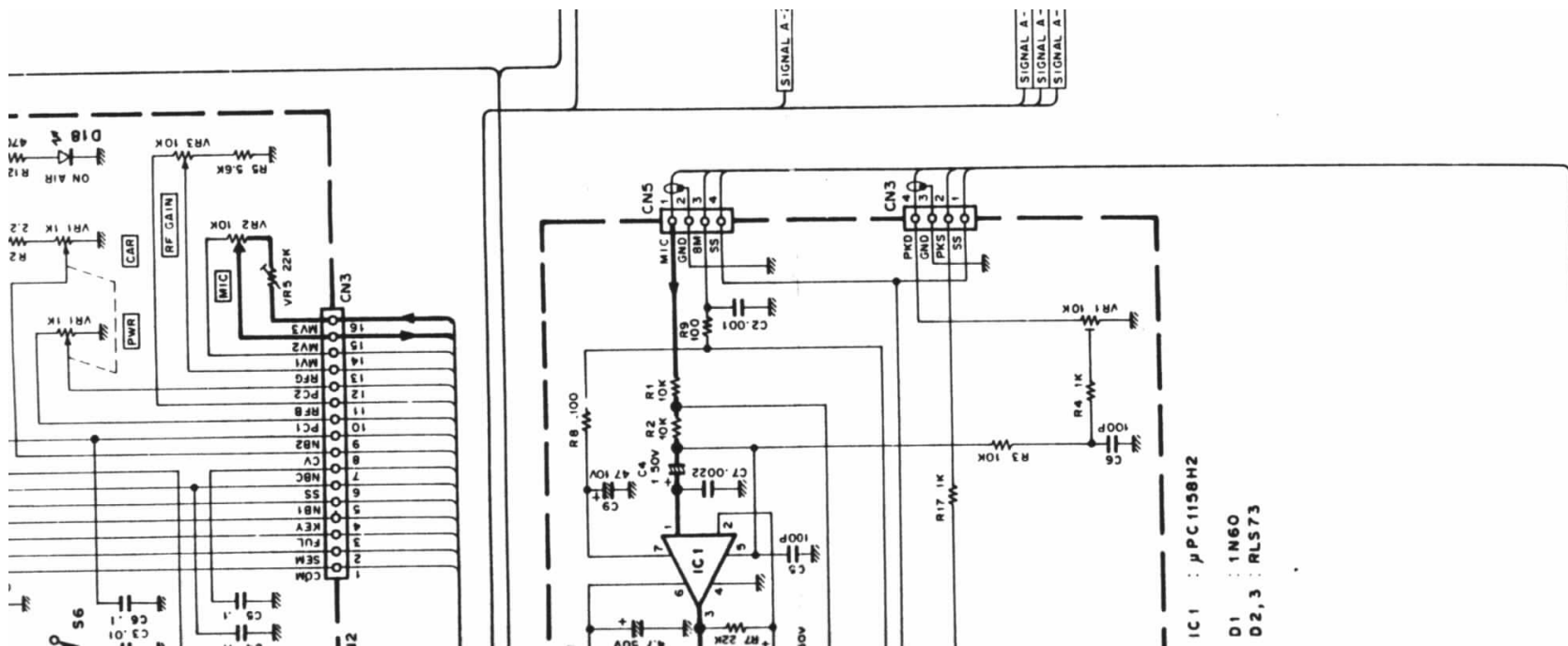




- Q1 : 25C2538-22-A
- Q2 : M57735
- Q3 : 25C2459 (BL)
- D1~8 : 1S
- D9,10 : 1S
- D11 : DS



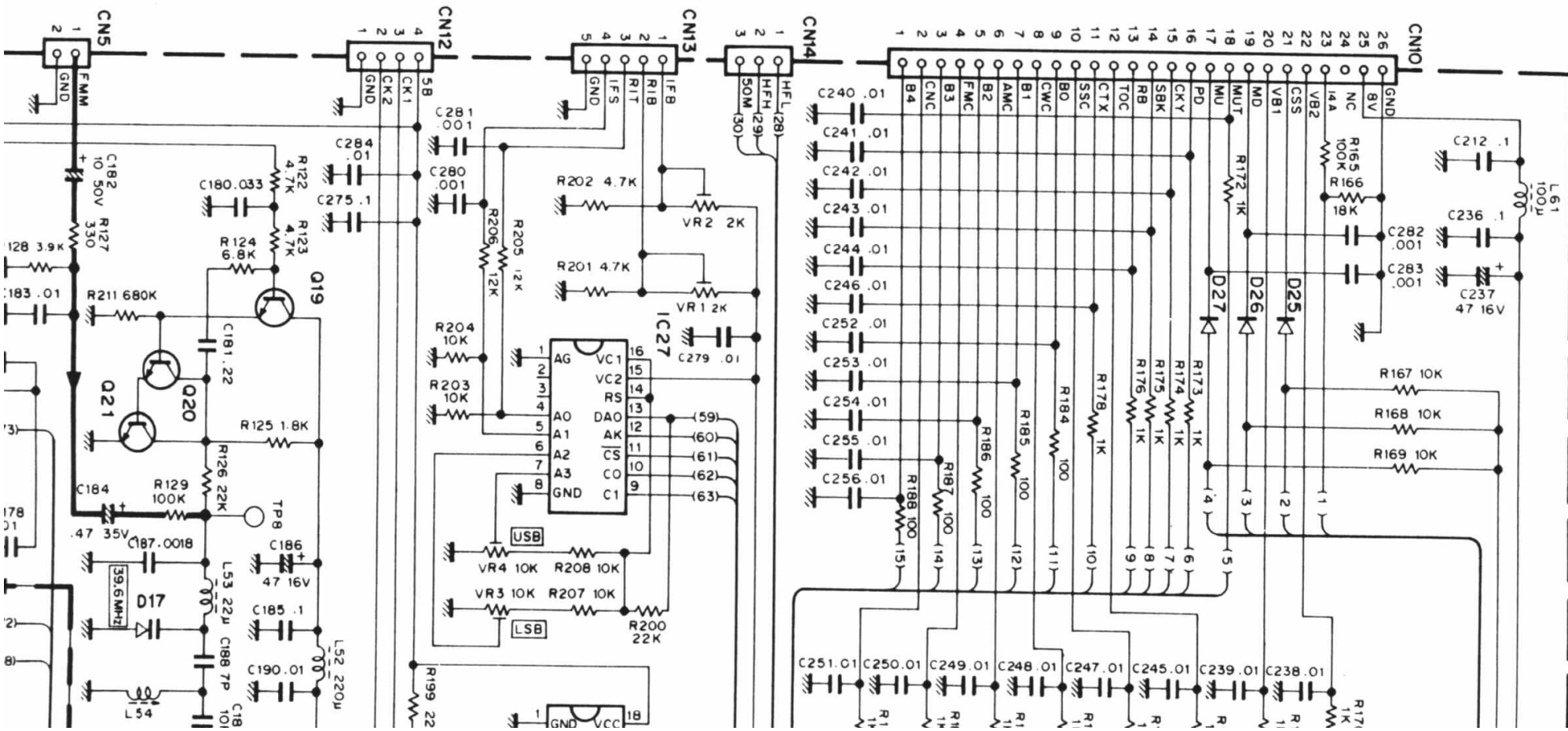
**Note:** Circuit Diagram is subject to change without notice due to adva

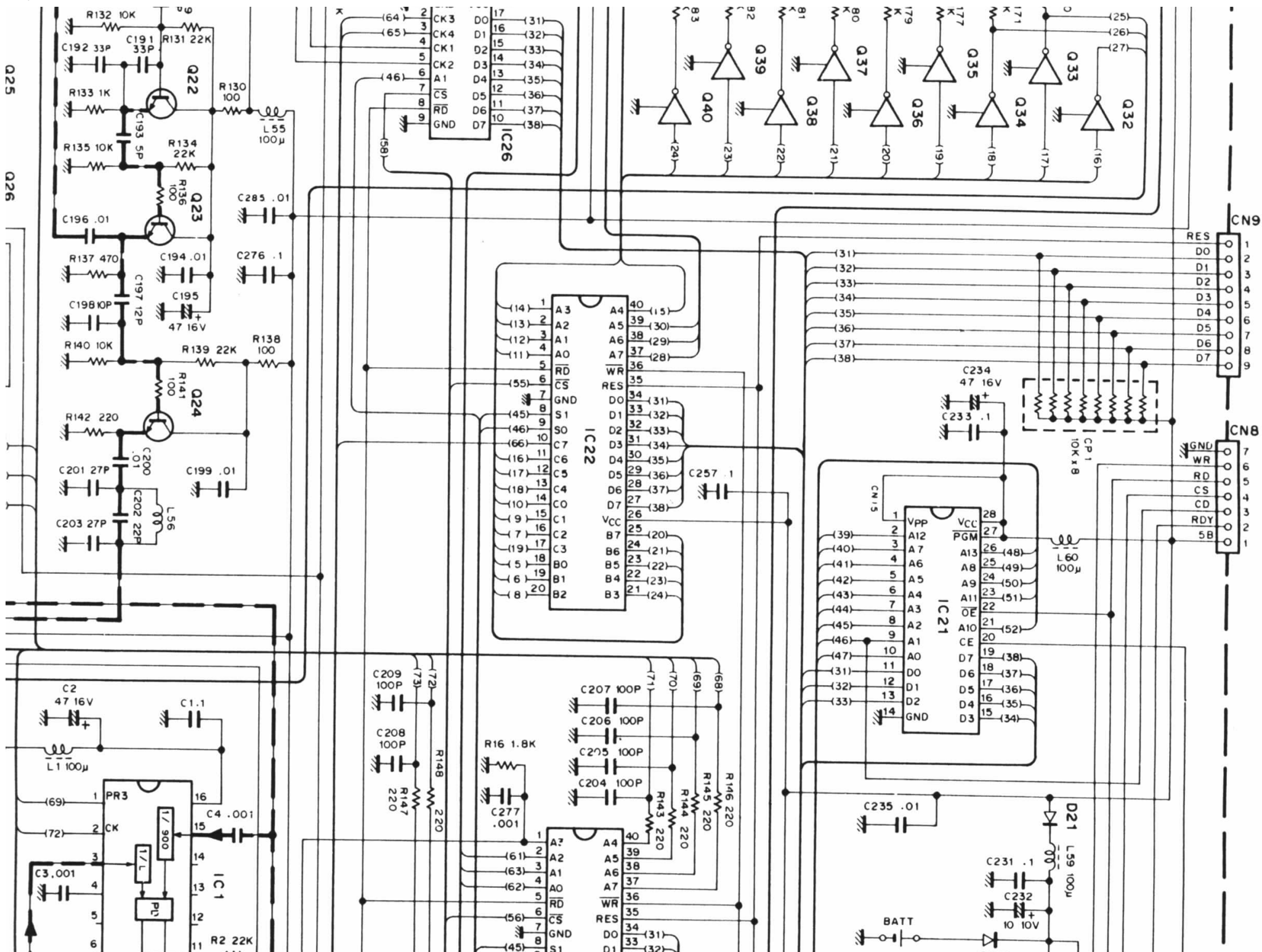


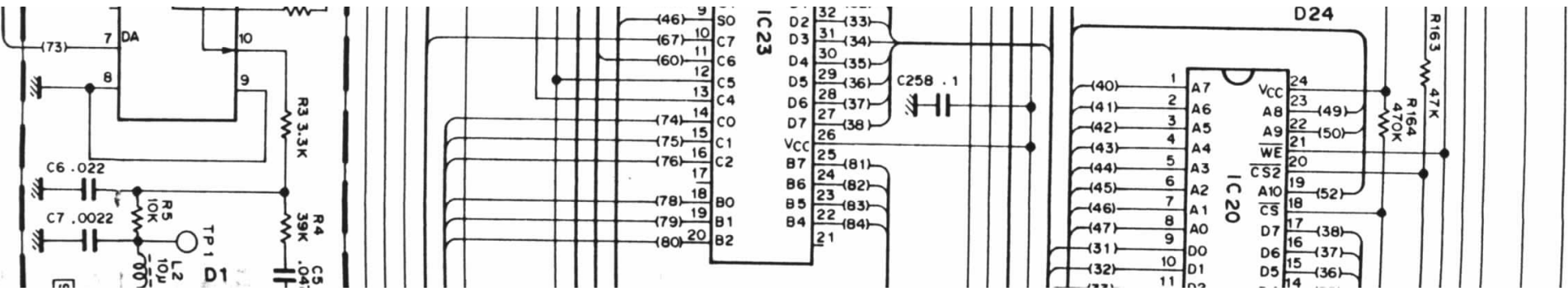


: 1SV53A  
: ITT310TE  
: RLS135

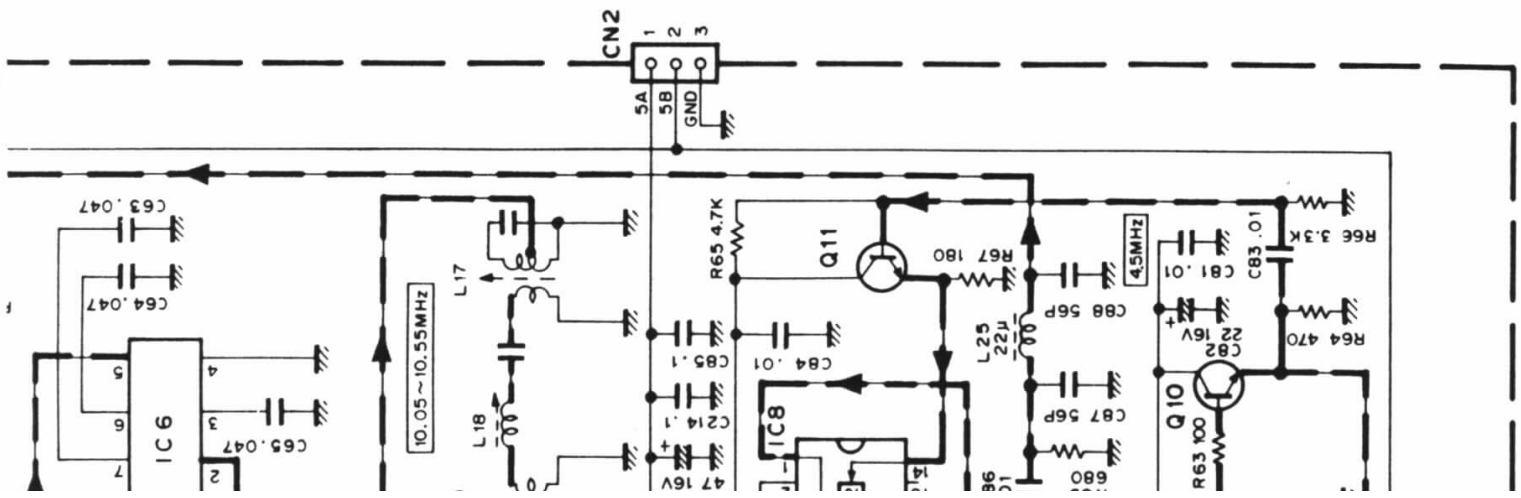
CONTROL UNIT (X53-3100-11)





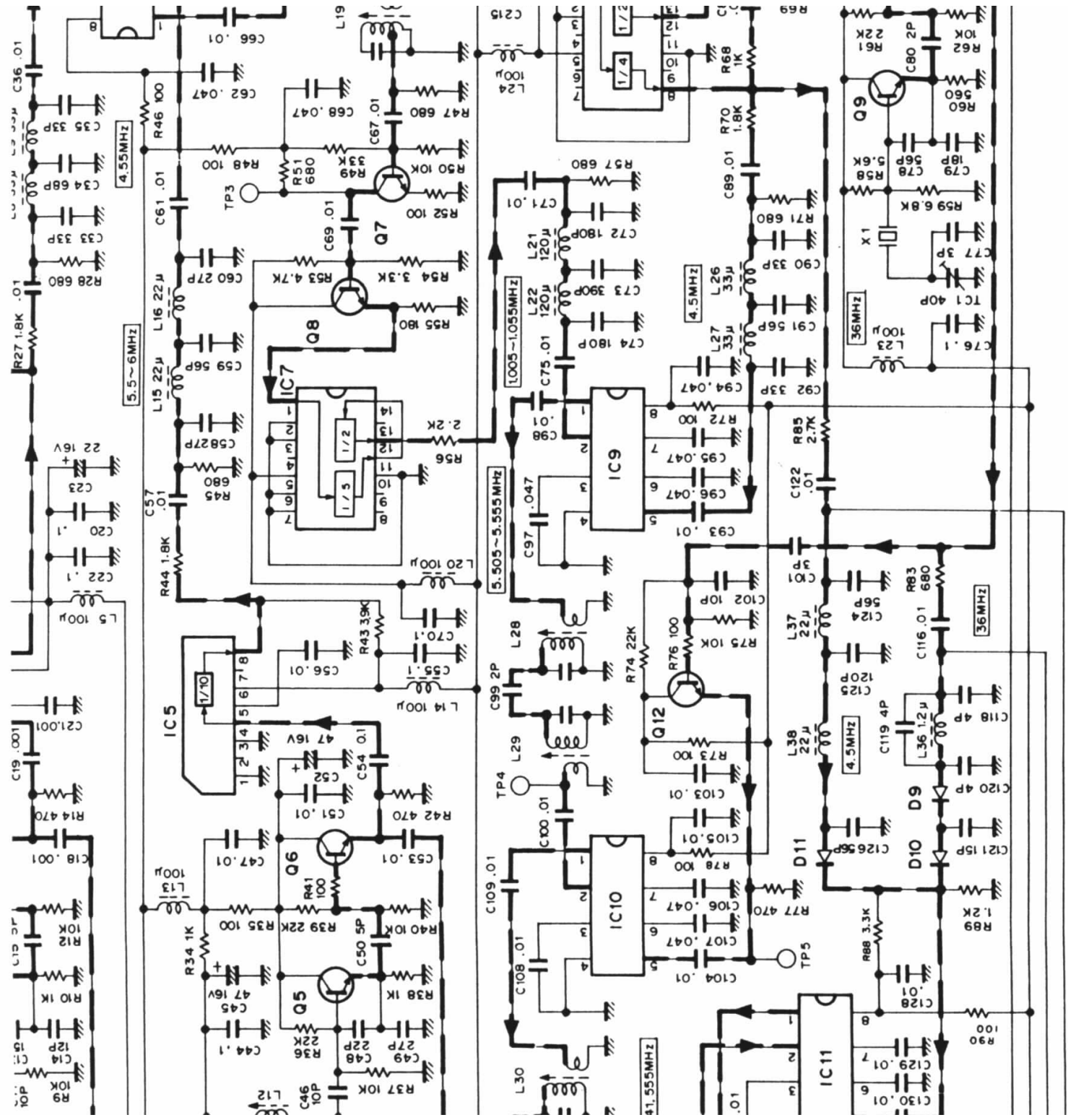


- 9 ~ 10
- D7, 8, 16
- 18 ~ 21
- 24 ~ 27
- D17
- D28, 30, 31
- IC1, 4, 14
- IC2
- IC3
- IC5
- IC6, 9, 10, 11
- IC8
- IC12
- IC13
- IC15
- IC16, 25
- IC17
- IC18
- IC19
- IC20
- IC21
- IC22 ~ 24
- IC26
- IC27
- Q1, 2, 5, 6
- 10 ~ 15
- 22 ~ 24
- Q3, 7, 8
- Q4
- Q9
- Q16 ~ 21
- Q25
- Q26
- Q27 ~ 29
- Q30 ~ 40
- Q41 ~ 43
- : RLS73
- : 1SV153
- : 1SS133
- : M54927P
- : M54459L
- : SN74LS90N
- : M54460L
- : SN16913P
- : M74LS93P
- : SN76514N
- : MB87006
- : PST520D
- : TC4069UBP
- : ME555C or NE555P
- : BU18400A
- : SN74LS138N
- : TC5518CPL - 20
- : MBM27C128 - 25JAJ2
- : TMP8255AP - 5
- : LZ92K37
- : MB4052
- : 2SC2668(Y)
- : 2SC2458(Y)
- : 2SC1959(Y)
- : 2SC2787(L)
- : 2SC2459(BL)
- : DTA124ES
- : DTC124ES
- : DTA143ES
- : DTC144WS
- : DTC143TS

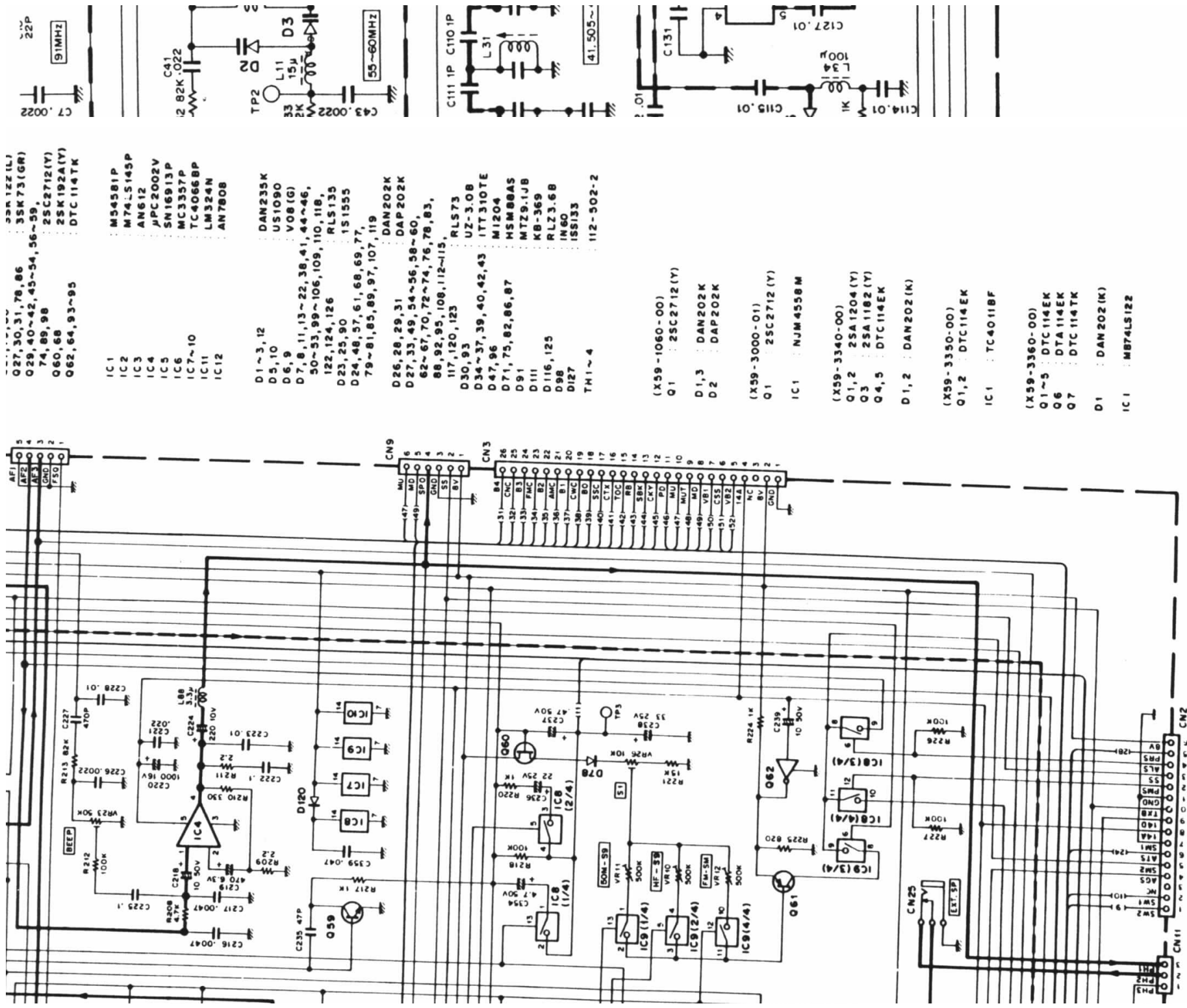


advancements in technology.





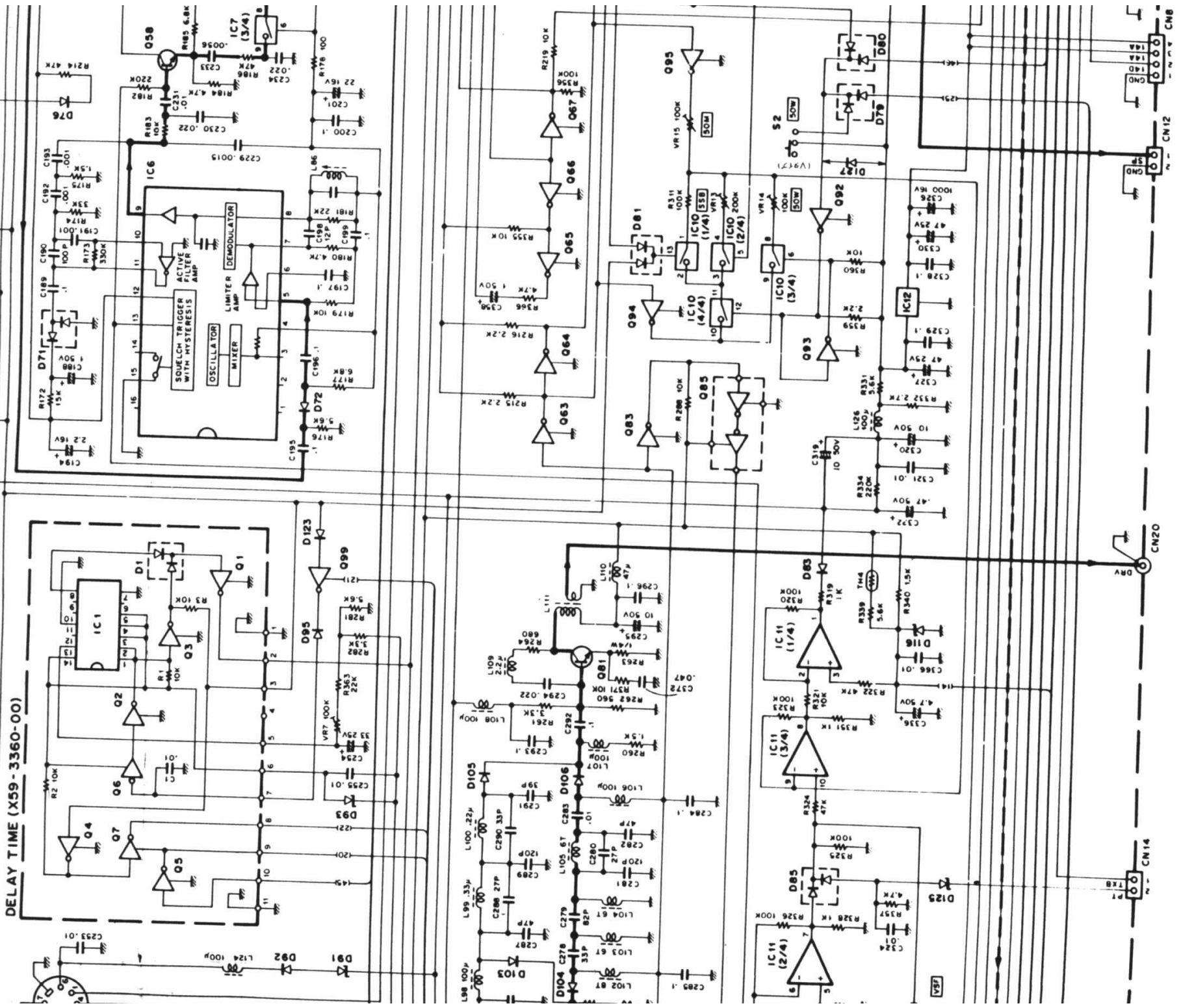
**Note:** Circuit Diagram is subject to change without notice due to



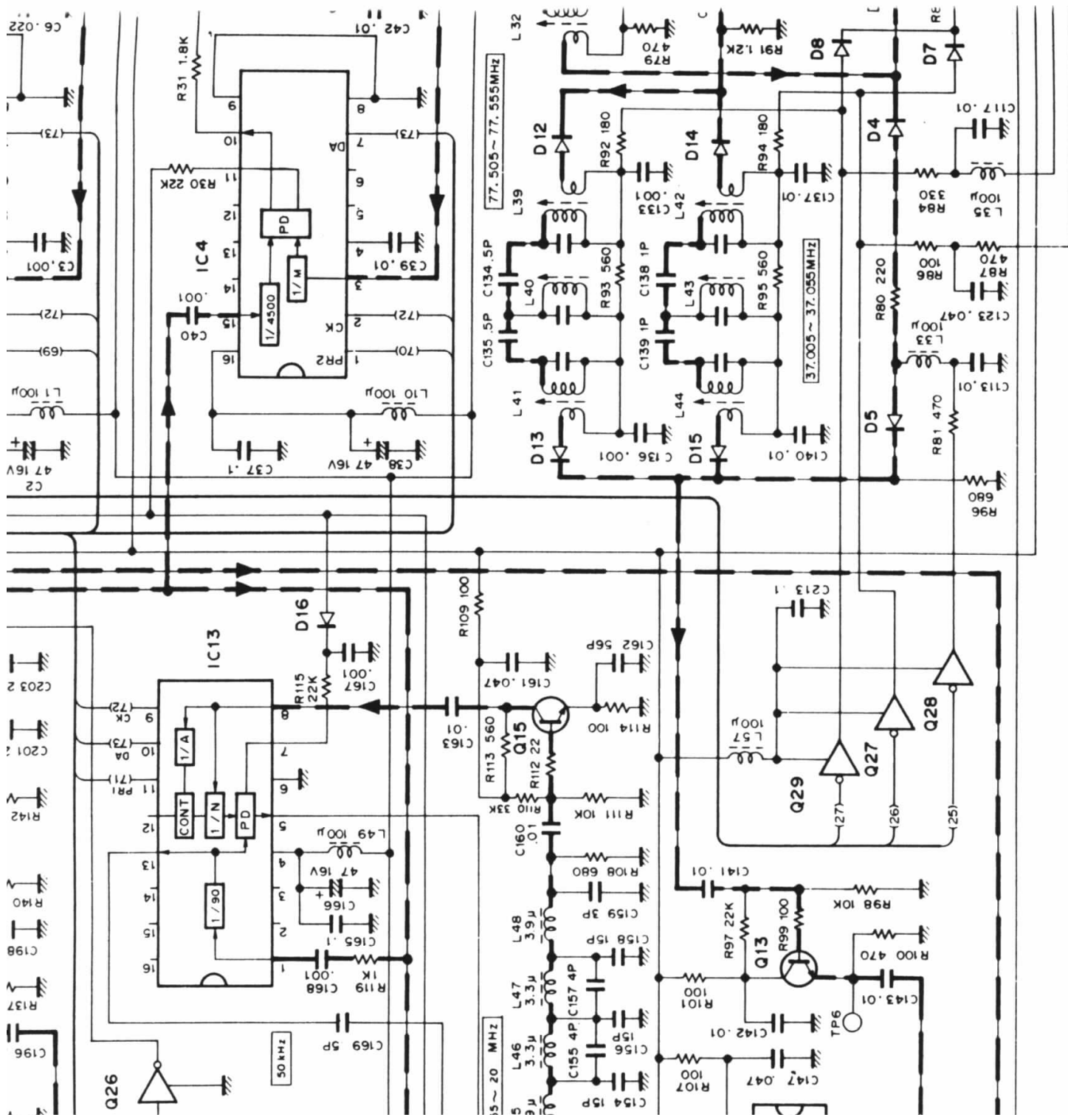
- |                          |            |
|--------------------------|------------|
| 027, 30, 31, 78, 86      | 35K12Z(L)  |
| 029, 40~45, 45~54, 56~59 | 35K73(GR)  |
| 74, 89, 98               | 25C2712(Y) |
| 060, 68                  | 25K192A(Y) |
| 062, 64, 93~95           | DTC114TK   |
- 
- |        |           |
|--------|-----------|
| IC1    | M54581P   |
| IC2    | M74LS145P |
| IC3    | AN612     |
| IC4    | JPC2002V  |
| IC5    | SN16913P  |
| IC6    | MC3357P   |
| IC7~10 | TC4066BP  |
| IC11   | LM324N    |
| IC12   | AN7808    |
- 
- |  |   |
|--|---|
| D1~3, 12   | DAN235K                                     |
| D5, 10   | US1090                                      |
| D6, 9  | V08(G)                                      |
| D7, 8, 11, 13~22, 38, 41, 44~46, 50~53, 99~106, 109, 110, 118, 122, 124, 126                     | 50~53, 99~106, 109, 110, 118, 117, 120, 123 |
| D23, 25, 90  | RLS135                                      |
| D24, 48, 57, 61, 68, 69, 77, 79~81, 85, 89, 97, 107, 119   | 1S1555                                      |
| D26, 28, 29, 31  | DAN20K                                      |
| D27, 33, 49, 54~56, 58~60, 62~67, 70, 72~74, 76, 78, 83, 88, 92, 95, 108, 112~115, 117, 120, 123 | DAP20K                                      |
| D30, 93  | RLS73                                       |
| D34~37, 39, 40, 42, 43   | UZ-3.0B                                     |
| D47, 96  | ITT310TE                                    |
| D71, 75, 82, 86, 87  | M1204                                       |
| D91  | MSM88AS                                     |
| D111   | MTZ9-1JB                                    |
| D116, 125  | KB-369                                      |
| D98  | RLZ3-6B                                     |
| D127   | IN60  |
|  | ISS133                                      |
| TH1~4  | 112-502-2                                   |
- 
- |               |                    |
|---------------|--------------------|
| (X59-1060-00) | Q1 : 25C2712(Y)    |
| D1, 3         | DAN20K             |
| D2            | DAP20K             |
| (X59-3000-01) | Q1 : 25C2712(Y)    |
| IC1           | NJM4558M           |
| (X59-3340-00) | Q1, 2 : 25A1204(Y) |
| Q3            | 25A1182(Y)         |
| Q4, 5         | DTC114EK           |
| D1, 2         | DAN202(K)          |
| (X59-3350-00) | Q1, 2 : DTC114EK   |
| IC1           | TC4011BF           |
| (X59-3360-00) | Q1~5 : DTC114EK    |
| Q6            | DTA114EK           |
| Q7            | DTC114TK           |
| D1            | DAN202(K)          |
| IC1           | MB74LS122          |

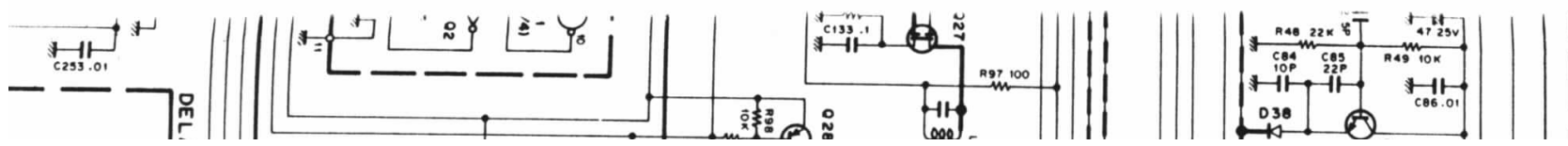
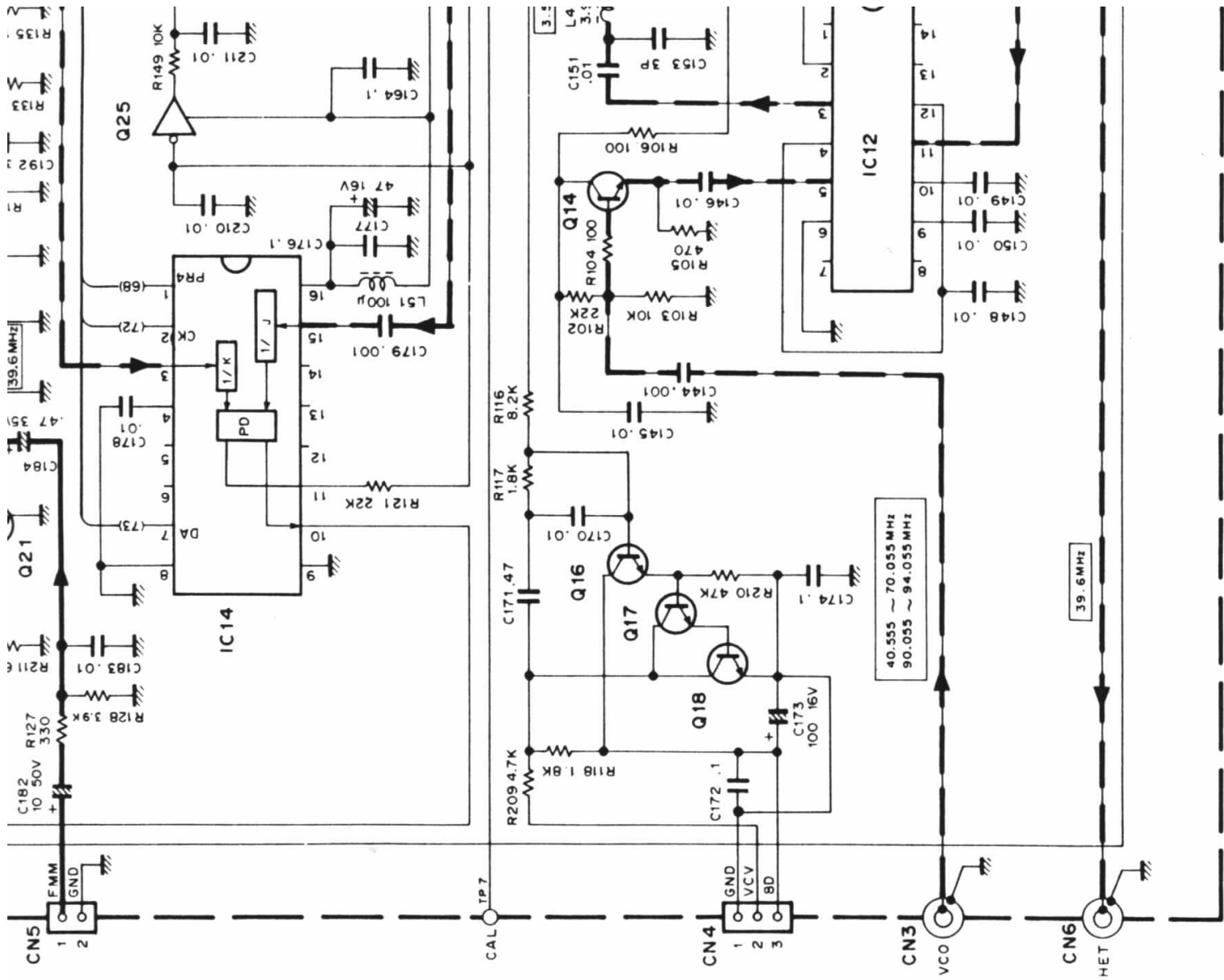
ge without notice due to advancements in technology.



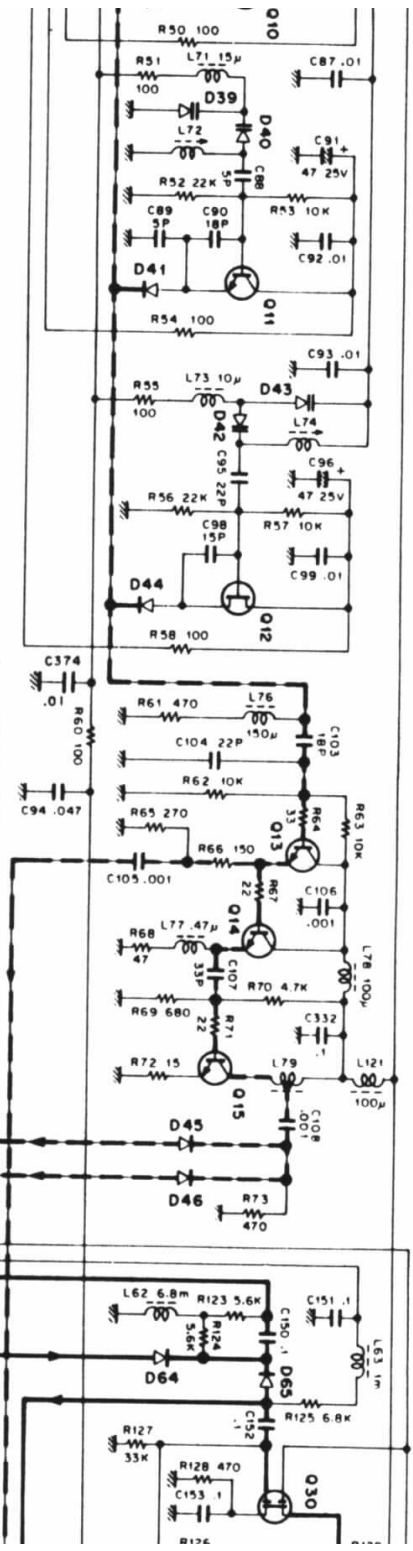
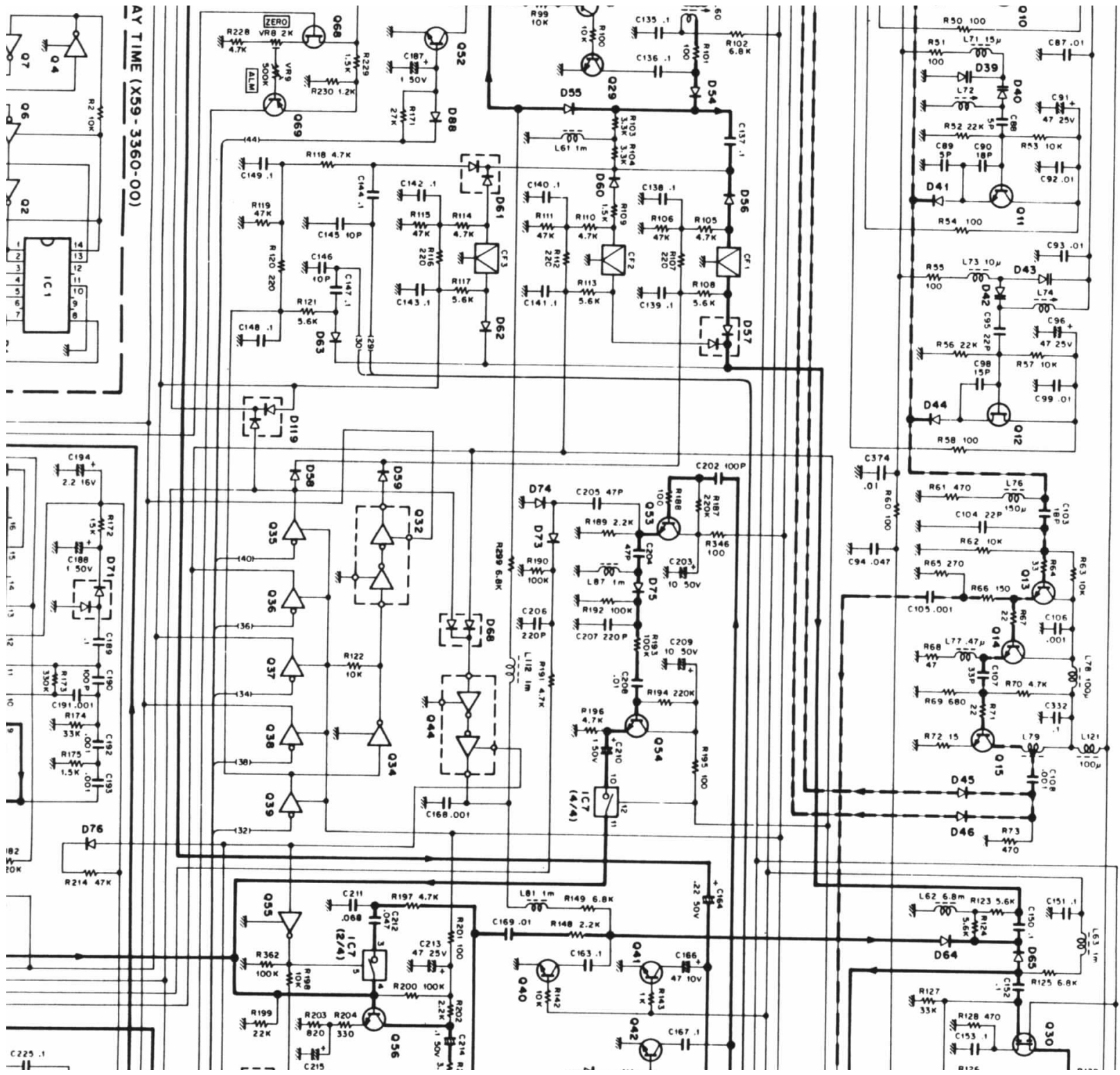


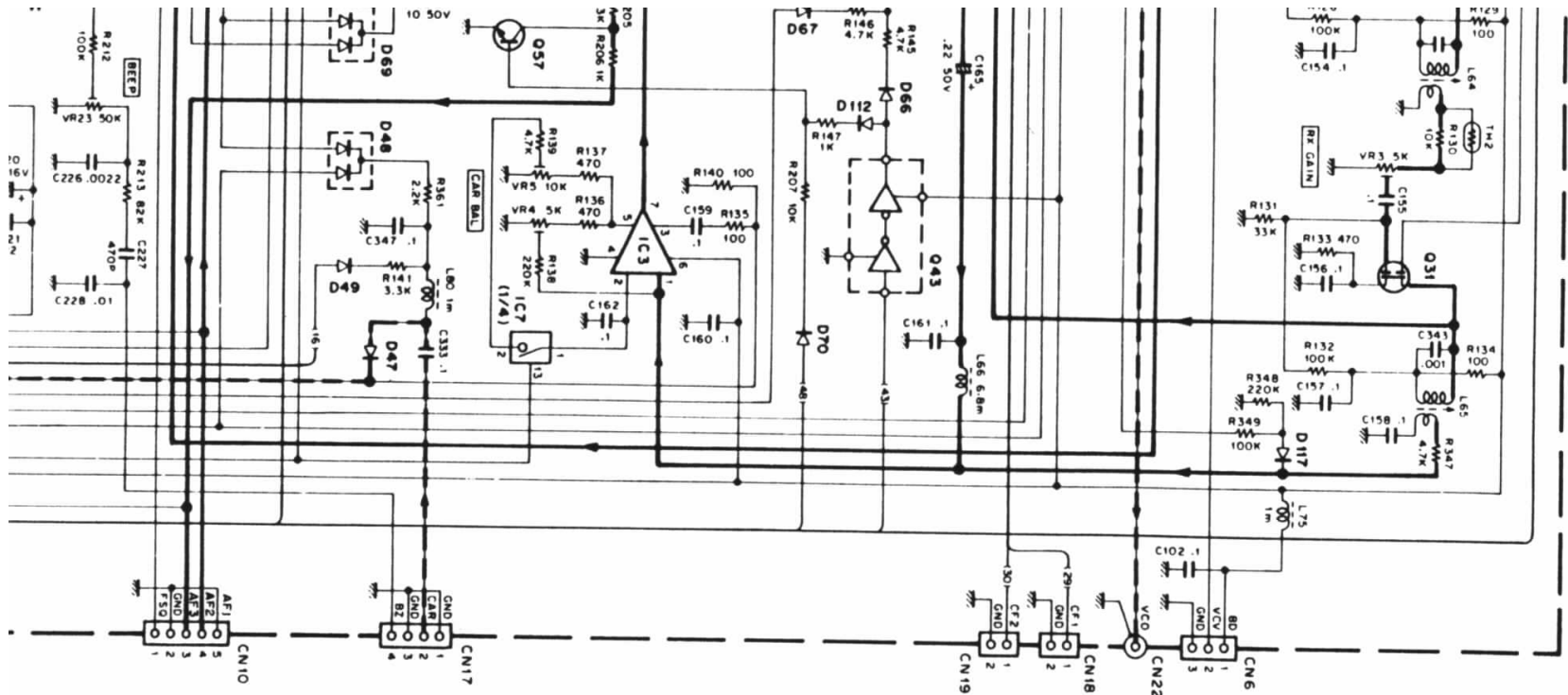
**Note:**  
Circuit Diagram is subject to chan





AY TIME (X59-3360-00)





- (X&Y:3180-10)
- 01,2,28,61,69,87,90 : 25A1162(V)
  - 03,4,17,34,55,63,65-67,75,77,83,84,91,92,96,97,99
  - 05~8,35~39,76 : DTC114EK
  - 09~11,13 : DTA1143EK
  - 012 : 25C2666(V)
  - 014,71,73 : 25K192A(GR)WJ
  - 015,81 : 25C1907
  - 016 : 25C2053
  - 018,19,22,23,70,72 : DTA114EK
  - 020,32,43,44,82,85,88 : 25K125-5
  - 021,79,80 : FMCS
  - 027,30,31,78,86 : 35K122(L)
  - 029,40~42,45-54,56~59,74,89,98 : 35K73(GR)
  - 060,68 : 25C2712(V)
  - 062,64,93~95 : 25K192A(V)
  - 062,64,93~95 : DTC114TK

- IC1 : M44581P
- IC2 : M74LS145P
- IC3 : AN612
- IC4 : μPC2002V

