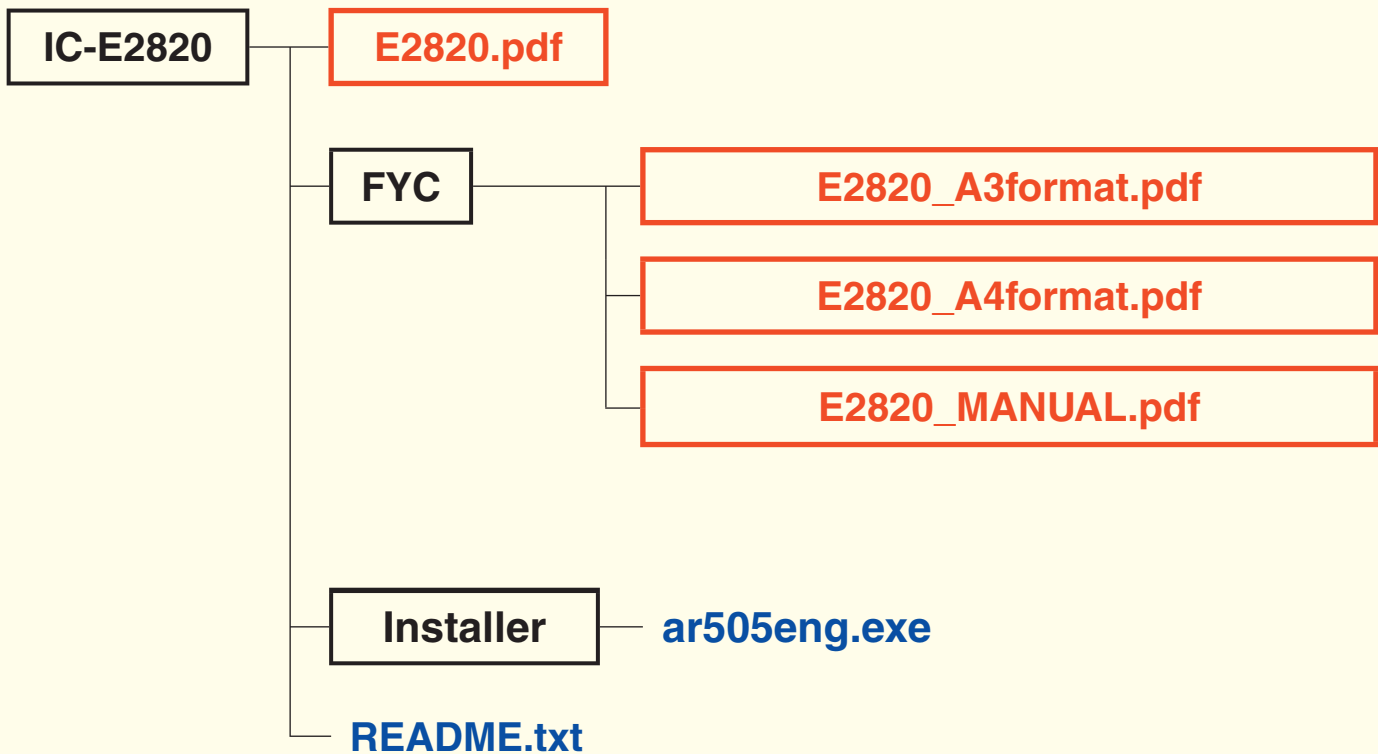


GUIDE FOR CD

1) COMPOSITION



2) DESCRIPTION

E2820.pdf

The service manual for IC-E2820 including all service information. This document is mainly used for viewing on your computer display and checking page order to make printed service manual. And, when you have a component you're looking up, you can find it quickly from parts list, schematic and board layouts, using "FIND" function of Acrobat® Reader.

E2820_A3format.pdf

Consists of pages in A3 format (Board layouts, Mechanical parts and disassembly, etc.). This file is used for printing out on A3 paper.

E2820_A4format.pdf

Consists of pages in A4 format (Disassembly instruction, Parts list, Adjustment procedure, etc.). This file is used for printing out A4 format pages.

E2820_MANUAL.pdf

The instruction manuals for IC-E2820. The contents of this document is exactly same as supplied instruction manual with the product. You can print it out to make brand new instruction manual any time you want. This document will be very helpful when you want to change or set product setting or condition for adjustment or else.

ar505eng.exe

ar505eng.exe is the installer of Adobe Acrobat® Reader 5.0 (English version) for Microsoft® Windows® 95/98/Me/NT/2000/XP users.

README.txt

README.txt describes about this service manual for Windows® user that have not had the Acrobat® Reader in his computer yet.

=====
Icom, Icom Inc. and Icom logo are registered trademarks of Icom Incorporated (Japan) in the United states, the United Kingdom, Germany, France, Spain, Russia and/or other countries.

Acrobat Reader Copyright © 1987-2002 Adobe Systems Incorporated. All rights reserved.
Adobe, the Adobe logo, Acrobat, and the Acrobat logo are trademarks of Adobe Systems Incorporated.

Microsoft and Windows are registered trademarks of Microsoft Corporation in the U.S.A. and other countries.

Copyright 2007 Icom Inc.

=====



SERVICE MANUAL

DUAL BAND FM TRANSCEIVER

IC-E2820

S-14326XZ-C1
Apr. 2007

Icom Inc.

INTRODUCTION

This service manual describes the latest service information for the **IC-E2820** DUAL BAND FM TRANSCEIVER at the time of publication.

MODEL	VERSION
IC-E2820	EUR-01
	EUR-02

To upgrade quality, any electrical or mechanical parts and internal circuits are subject to change without notice or obligation.

CAUTION

NEVER connect the transceiver to an AC outlet or to a DC power supply that uses more than 15 V. This will ruin the transceiver.

DO NOT expose the transceiver to rain, snow or any liquids.

DO NOT reverse the polarities of the power supply when connecting the transceiver.

DO NOT apply an RF signal of more than 20 dBm (100 mW) to the antenna connectors. This could damage the transceiver's front end.



ORDERING PARTS

Be sure to include the following four points when ordering replacement parts:

1. 10-digit order numbers
2. Component part number and name
3. Equipment model name and unit name
4. Quantity required

<SAMPLE ORDER>

1110003491	S.IC	TA31136FNG	IC-E2820	MAIN UNIT	5 pieces
8820001210	Screw	2438 screw	IC-E2820	Top cover	10 pieces

Addresses are provided on the inside back cover for your convenience.

REPAIR NOTES

1. Make sure a problem is internal before disassembling the transceiver.
2. **DO NOT** open the transceiver until the transceiver is disconnected from its power source.
3. **DO NOT** force any of the variable components. Turn them slowly and smoothly.
4. **DO NOT** short any circuits or electronic parts. An insulated tuning tool **MUST** be used for all adjustments.
5. **DO NOT** keep power ON for a long time when the transceiver is defective.
6. **DO NOT** transmit power into a signal generator or a sweep generator.
7. **ALWAYS** connect a 50 dB to 60 dB attenuator between the transceiver and a Modulation Analyzer or spectrum analyzer when using such test equipment.
8. **READ** the instructions of test equipment thoroughly before connecting equipment to the transceiver.

CONTENTS

SECTION 1 SPECIFICATIONS

SECTION 2 INSIDE VIEWS

SECTION 3 DISASSEMBLY INSTRUCTIONS

SECTION 4 CIRCUIT DESCRIPITON

4-1	RECEIVER CIRCUITS.....	4-1
4-2	TRANSMITTER CIRCUITS	4-4
4-3	FREQUENCY SYNTHESIZER	4-6
4-4	POWER SUPPLY CIRCUITS.....	4-8
4-5	PORT ALLOCATIONS	4-9

SECTION 5 ADJUSTMENT PROCEDURES

5-1	PREPARATION	5-1
5-2	FREQUENCY ADJUSTMENT	5-2
5-3	TRANSMIT ADJUSTMENT	5-3
5-4	RECEIVE ADJUSTMENT	5-4

SECTION 6 PARTS LIST

SECTION 7 MECHANICAL PARTS

SECTION 8 BOARD LAYOUTS

SECTION 9 BLOCK DIAGRAM

SECTION 10 VOLTAGE DIAGRAM

SECTION 11 HM-133

SECTION 12 UT-123 (Optional product)

GENERAL

- Frequency coverage : (unit: MHz)

Version	Left Band	Right Band
Europe1	Rx: 118–549.995 ^{*1, *2} Tx: 144–146, 430–440	Rx: 118–173.995 ^{*1} , 375–549.995 ^{*2} , 810–999.99 ^{*3} Tx: 144–146, 430–440
Europe2	Tx/Rx: 144–146, 430–440	

^{*1}Guaranteed: 144–146 MHz range only.; ^{*2}Guaranteed: 430–440 MHz; ^{*3}Not guaranteed

- Type of emission : FM, AM (Receive only),
DV (optional UT-123 is required)
- Number of memory channels : 522 (incl. 20 scan edges and 2 calls)
- Frequency resolution : 5, 6.25, 10, 12.5, 15, 20, 25, 30, 50 kHz
- Operating temperature range : –10°C to +60°C
- Frequency stability : ±2.5 ppm (–10°C to +60°C)
- Power supply requirement : 13.8 V DC ±15%
- Current drain (at 13.8 V DC: approx.):

Transmit	at 50 W	13 A
Receive	standby	1.2 A
(simultaneous receive)	max. audio	1.8 A
- Antenna connector : SO-239 (50 Ω)×2 (Tx/Rx and Diversity)
- Dimensions (proj. not included) :

Main Unit	150(W) × 40(H) × 187.7(D) mm
Remote controller	150(W) × 58(H) × 31.5(D) mm
- Weight (approx.) :

Main unit	1.5 kg
Remote controller	210 g (incl. separation cable)

TRANSMITTER

- Modulation system : Variable reactance frequency modulation
- Output power : 50/15/5 W (approx.)
- Max. frequency deviation : ±5.0 kHz (wide)
±2.5 kHz (narrow)
- Spurious emissions : Less than –60 dB
- Microphone connector : 8-pin modular (600 Ω)

RECEIVER

- Receive system : Double-conversion superheterodyne
- Intermediate frequencies :

Left band	1st: 38.85 MHz, 2nd: 450 kHz
Right band	1st: 46.35 MHz, 2nd: 450 kHz
- Sensitivity (amateur bands only):

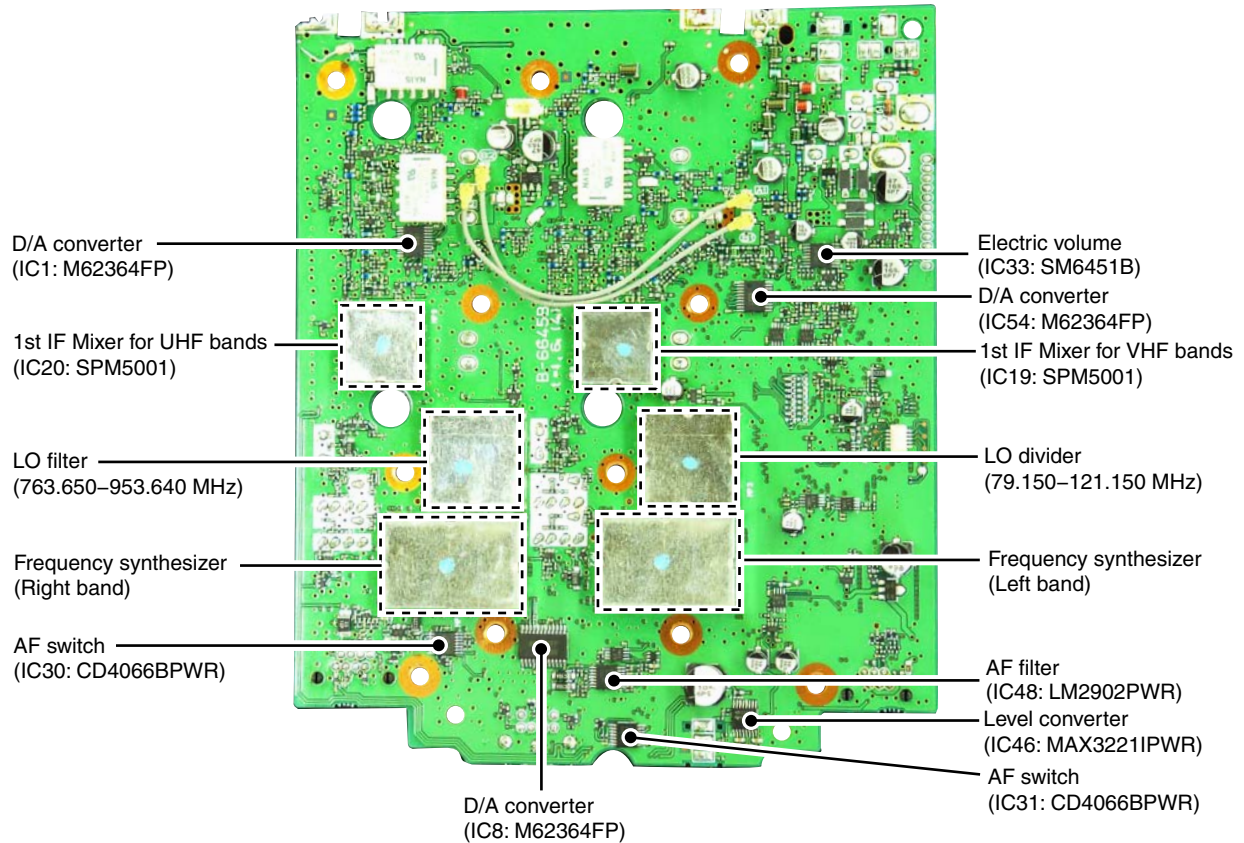
FM (12 dB SINAD)	Less than 0.18 μV
DV (BER 1%) (optional UT-123 is required)	Less than 0.35 μV
- Squelch sensitivity[†] (threshold) : Less than 0.13 μV
- Selectivity[†] (typical) :

Wide	More than 10 kHz/6 dB Less than 30 kHz/60 dB
Narrow	More than 6 kHz/6 dB Less than 20 kHz/60 dB
DV (optional UT-123 is required)	More than 50 dB
- Spurious and image rejection[†] : More than 60 dB
^{*}More than 55 dB for UHF on left band.
- AF output power[†] (at 13.8 V DC) : More than 2.4 W at 10% distortion with an
8 Ω load
- Ext. speaker connectors : 3-conductor 3.5 (d) mm/8 Ω

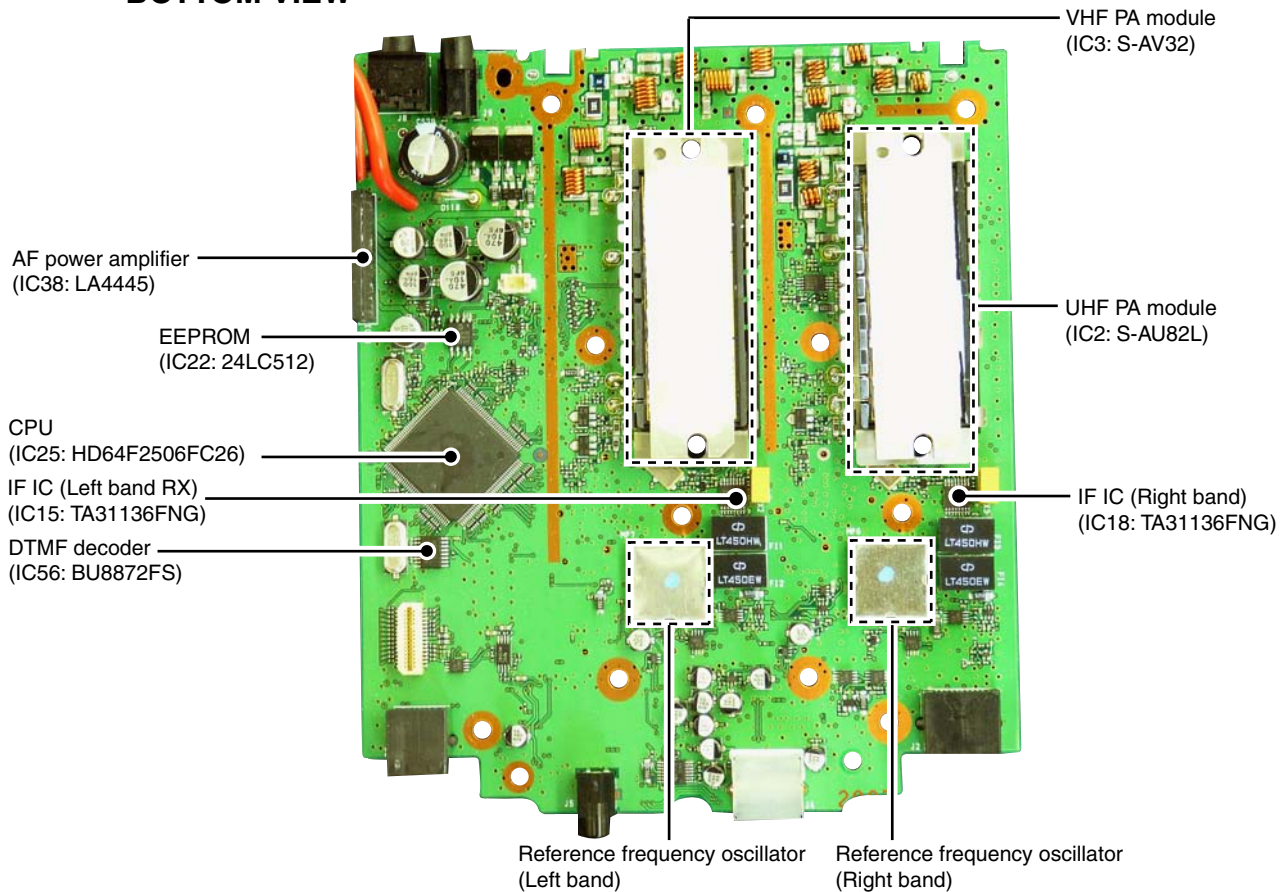
[†]Guaranteed 144–146 MHz and 430–440 MHz ranges only.

All stated specifications are subject to change without notice or obligation.

• TOP VIEW



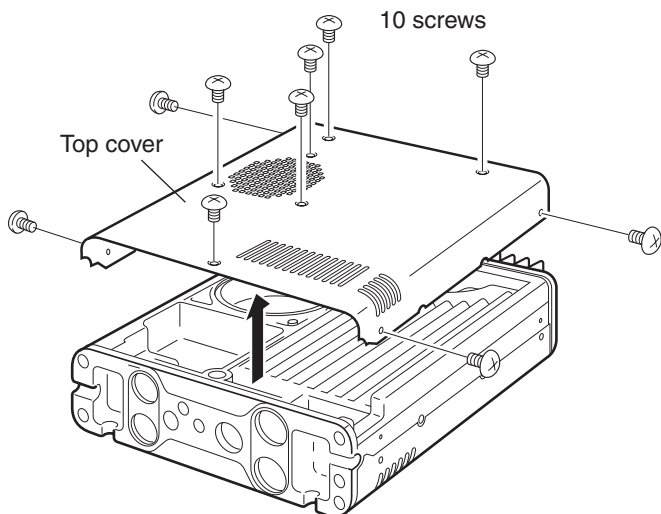
• BOTTOM VIEW



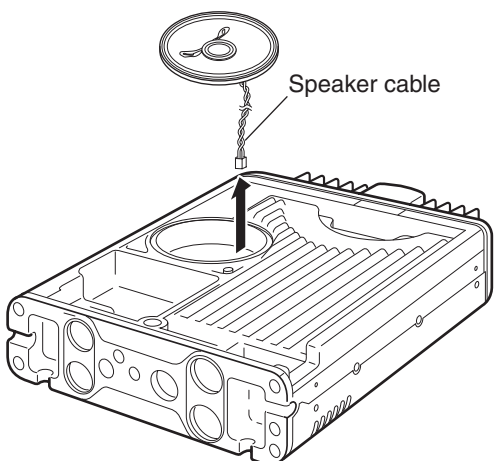
SECTION 3 DISASSEMBLY INSTRUCTION

1. Removing the top cover

① Unscrew 10 screws, then remove the top cover.

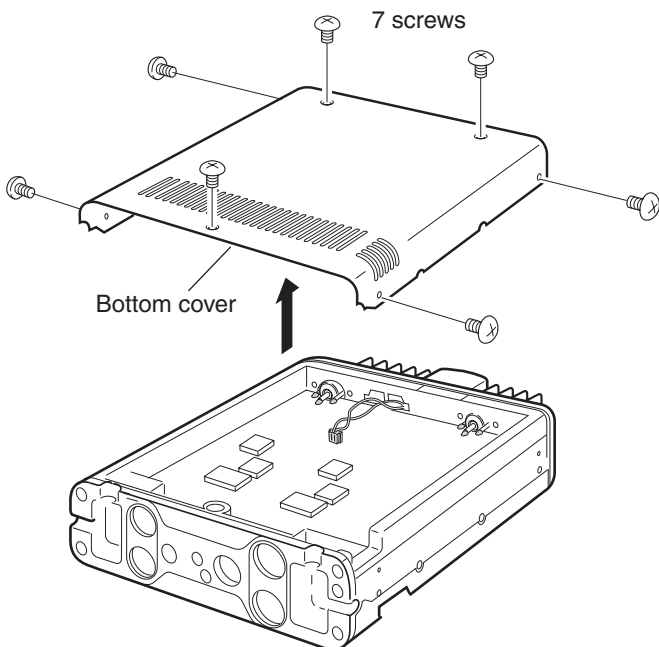


② Disconnect the speaker cable.



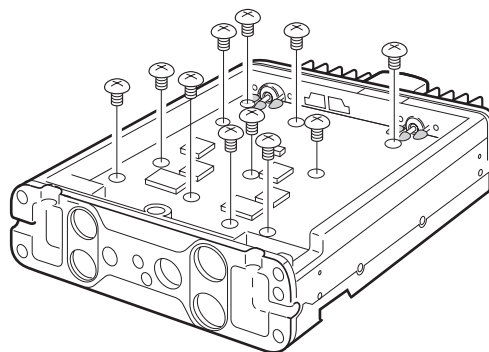
2. Removing the bottom cover

① Unscrew 7 screws, then remove the bottom cover.

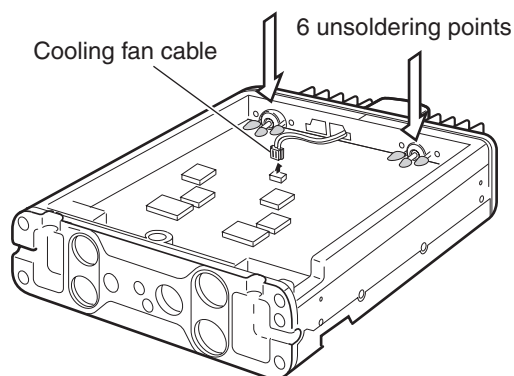


3. Removing the MAIN UNIT

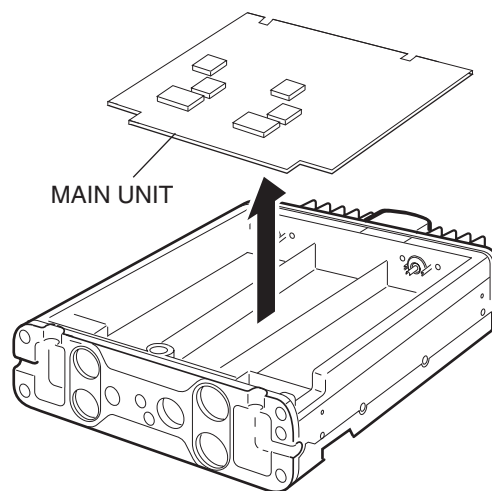
① Unscrew 11 screws from the MAIN UNIT.



② Disconnect the cooling fan cable, and unsolder 6 points at the antenna connectors (grey colored).



③ Remove the MAIN UNIT in the direction of the arrow.



4-1 RECEIVER CIRCUITS

RF CIRCUITS

<Left band>

• 118–174 MHz

The received signals from the antenna connector ANT-1 (J1) are passed through two LPFs (L101, 104, 108, C342, 346; L88, 92, 96, C318, 326, 330), then applied to the RF amplifier (Q37) via TX/RX switch (D75). The amplified signals are passed through the RX switch (RL2), attenuator (D68) and tuned BPF (D55, 66), before being applied to another RF amplifier (Q33). The amplified signals are applied to the 1st mixer (IC19) via the another tuned BPF (D41, 44) and RX switch (D38).

While the diversity operation is activated, the received signals are also input from ANT-2 (J2). The received signals are passed through two LPFs (L103, 106, 109, C344, 348; L90, 93, 98, C319, 327, 348), antenna switch (D65, 72) and limiter (D64, 67), then applied to the RF amplifier (Q39).

The amplified signals are applied to the RX switch (RL2), and gone through the same process as the received signals from ANT-1 (J1).

• 174–260 MHz

The received signals from the antenna connector (J1) are passed through two RX switches (RL3 and D56) and the tuned BPF (D51), then applied to the RF amplifier (Q34). The amplified signals are passed through the BPF (D45), attenuator (R139, 144, 147) and RX switch (D36) before being applied to the 1st mixer (IC19).

• 260–375 MHz

The received signals from the antenna connector (J1) are passed through two RX switches (RL3 and D57) and the tuned BPF (D50), then applied to the RF amplifier (Q35).

The amplified signals are passed through the BPF (D465), attenuator (R142, 143, 150) and RX switch (D37) before being applied to the 1st mixer (IC19).

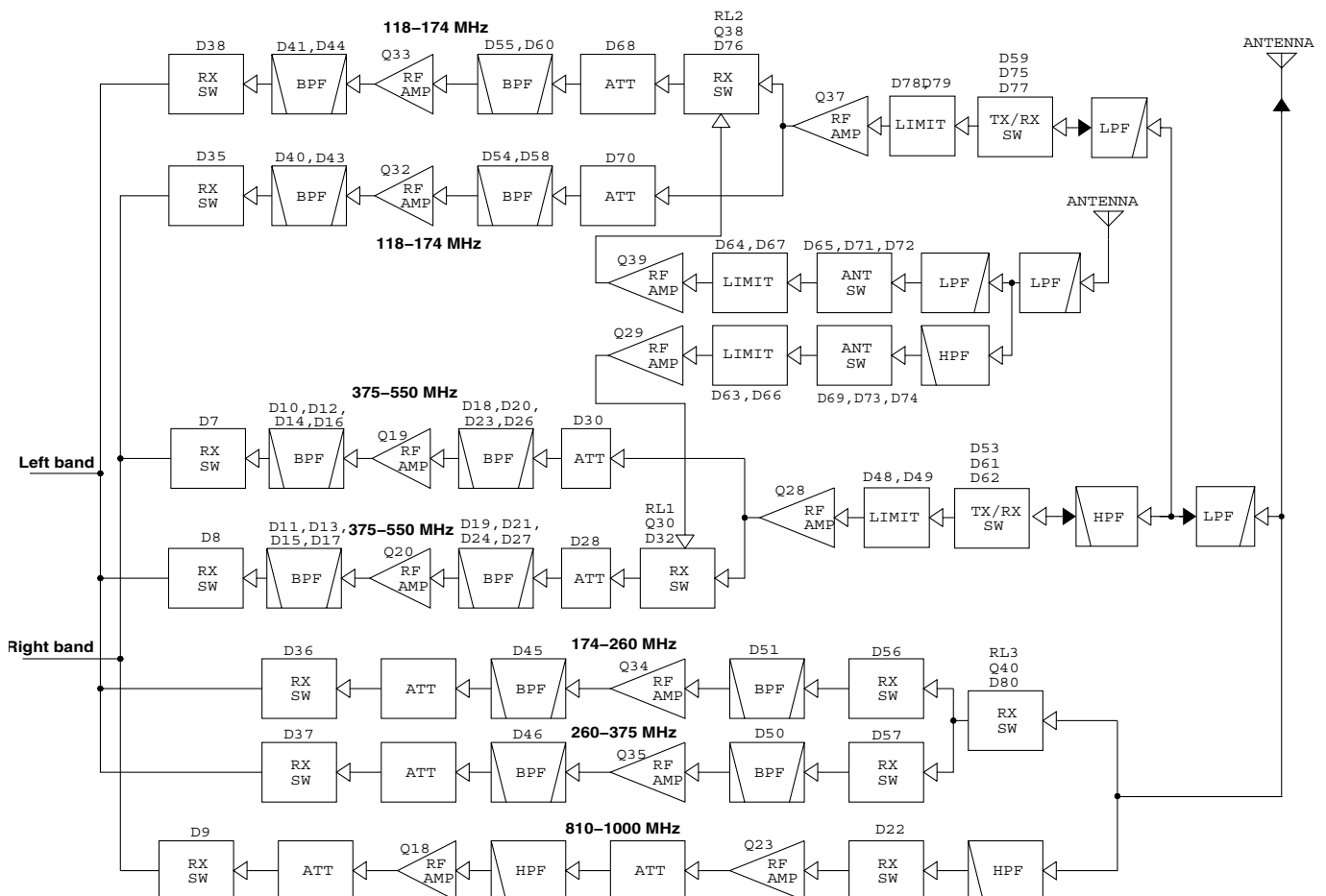
• 375–550 MHz

The received signals from the antenna connector (J1) are passed through the LPF (L101, 104, 108, C342, 346) and HPF (L77, 80, C296, 297, 303, 308), then applied to the RF amplifier (Q28) via TX/RX switch (D53, 61, 62). The amplified signals are passed through the RX switch (RL1), attenuator (D28) and tuned BPF (D19, 21, 24, 27), before being applied to another RF amplifier (Q20). The amplified signals are applied to the 1st mixer (IC19) via the another tuned BPF (D11, 13, 15, 17) and RX switch (D8).

While the diversity operation is activated, the received signals are also input from antenna connector ANT-2 (J2). The received signals are passed through the LPF (L103, 106, 109, C344, 348), HPF (L95, 99, C329, 333, 338), antenna switch (D69, 73, 74) and limiter (D63, 66), then applied to the RF amplifier (Q29).

The amplified signals are applied to the RX switch (RL1), and gone through the same process as the received signals from ANT-1 (J1).

• RF CIRCUITS



1ST IF CIRCUITS

RX signals from the RF circuits are converted into the 38.85 MHz 1st IF signal by being mixed with LO signals from the left band VCO (Q111, D145–147).

The converted IF signal from the 1st mixer is passed through the IF filter (F15) to be filtered. The filtered IF signal is applied to the 1st IF amplifier (Q66) via the limiter (D88). The amplified 1st IF signal is applied to the IF IC (IC15, pin 16)

2ND IF AND DEMODULATOR CIRCUITS (Fig. 2)

IC15 is an IF IC which contains 2nd mixer, limiter amplifier, noise amplifier, quadrature detector and RSSI circuit, etc. in its package.

The 1st IF signal from the 1st IF amplifier (Q66) is converted into the 450 kHz 2nd IF signal by being mixed with tripled reference frequency signal (38.4 MHz) from the PLL IC (IC41) via the tripler (Q105). The converted 2nd IF signal is output from pin 3, and passed through the ceramic filter (F11 for narrow mode, F12 for wide mode) to remove sideband noise, then applied to the IF IC from pin 5 again.

• FM DEMODULATOR

The filtered 2nd IF signal from pin 5 is amplified at the limiter amplifier, and FM-demodulated at the quadrature detector circuit. The demodulated AF signals are output from pin 9 and routed to the AF circuits via two AF switches (IC11 and IC13).

• AM DEMODULATOR CIRCUITS

In the AM mode, the 2nd IF signal from the F12 is applied to the AM-demodulator circuit (Q55, Q57). The demodulated AF signals are routed to the AF circuits via two AF switches (IC11 and IC13).

SQUELCH CIRCUITS

• NOISE SQUELCH

A portion of FM-demodulated AF signals from the IF IC (IC15, pin 9) are level-adjusted by D/A converter (IC8), and passed through the noise filter (IC15 and some R and C) to be filtered noise components (30 kHz and above signals) in the AF signals. The filtered noise components are detected in the IC15 and output from pin 13, then applied to the CPU (IC25, pin 100) as “L_SQL” signal.

Then the CPU outputs “L_AF_MUTE” signal from pin 82 to the speaker mute switch (Q102), according to the “L_SQL” signal level. Thus the AF line is connected to the GND to turn the AF output OFF.

• CTCSS/DTCS

CTCSS/DTCS signals in the demodulated AF signals from the AF switch (IC13) are passed through the tone filter (Q41). The filtered CTCSS/DTCS signals are applied to the CPU IC25, pin 70) as “L_DTCSIN” signal. The CPU (IC25) compares the applied signal and the set CTCSS/DTCS, then outputs control signal as same as “NOISE SQUELCH.”

• DTMF

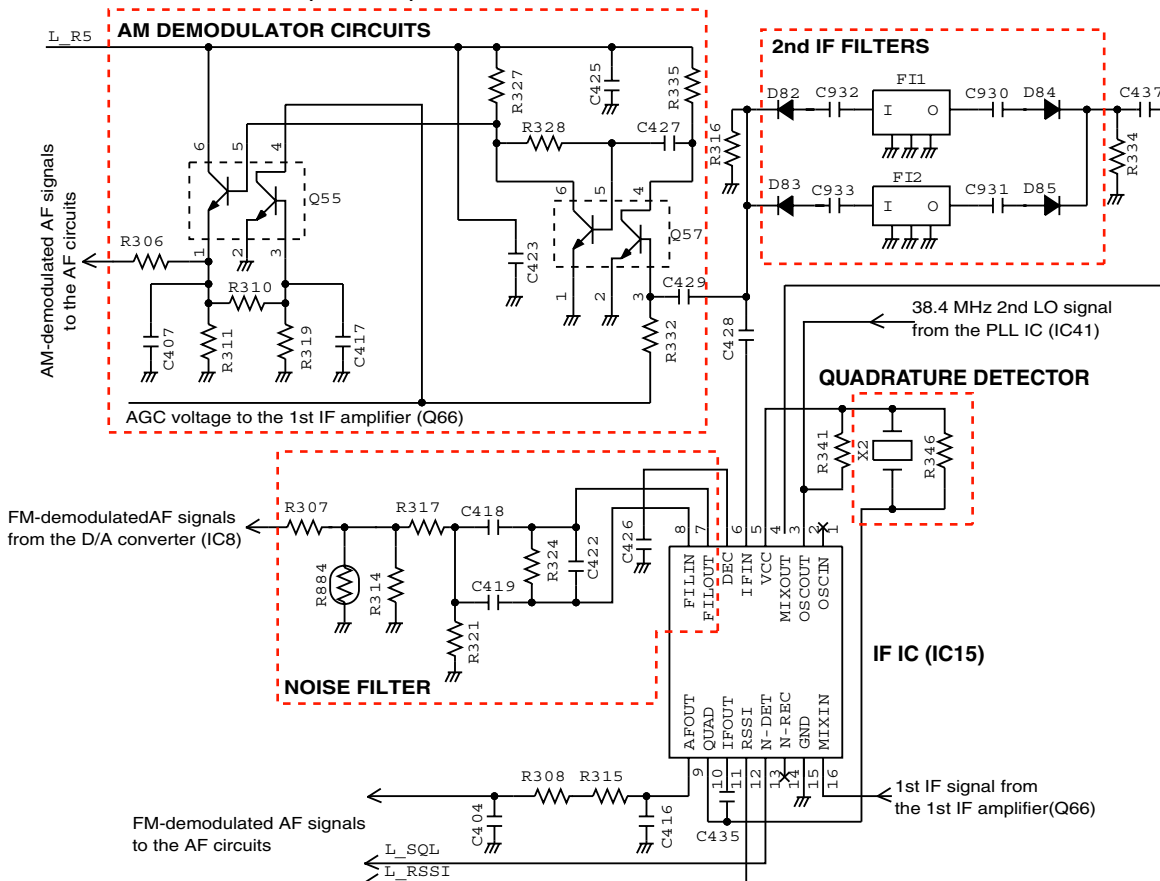
DTMF signals in the demodulated AF signals from the AF switch (IC13) are passed through two AF switches (IC57 and IC58), then applied to the DTMF decoder (IC56) to be decoded.

AF CIRCUITS

The AM/FM-demodulated AF signals from the AF switch (IC11) are passed through the AF filter (Q47). The filtered AF signals are applied to the electric volume (IC33) to be adjusted its level. The level-adjusted AF signals are applied to the dual AF power amplifier (IC38) to obtain AF output power level, then applied to the internal (CHASSIS; SP1) or an external speaker via external speaker jack (J7).

If an external speaker is connected to the J8, the level-adjusted AF signals from the electric volume (IC33) are applied to the connected speaker.

• 2ND IF AND DEMODULATOR CIRCUITS (LEFT BAND)



RF CIRCUITS

<Right band>

• 118–174 MHz

The received signals from the antenna connector ANT-1 (J1) are passed through two LPFs (L101, 104, 108, C342, 346; L88, 92, 96, C318, 326, 330), then applied to the RF amplifier (Q37) via TX/RX switch (D59). The amplified signals are passed through the attenuator (D70) and tuned BPF (D54, 58), before being applied to another RF amplifier (Q32). The amplified signals are applied to the 1st mixer (IC20) via the another tuned BPF (D40, 43) and RX switch (D35).

• 375–550 MHz

The received signals from the antenna connector (J1) are passed through the LPF (L101, 104, 108, C342, 346) and HPF (L77, 80, C296, 297, 303, 308), then applied to the RF amplifier (Q28) via TX/RX switch (D53, 61, 62). The amplified signals are passed through the attenuator (D30) and tuned BPF (D18, 20, 23, 26), before being applied to another RF amplifier (Q19). The amplified signals are applied to the 1st mixer (IC20) via the another tuned BPF (D10, 12, 14, 16) and RX switch (D7).

• 810–1000 MHz

The received signals from the ANT-1 (J1) are passed through the HPF (L102, 105, 107, 110, C337, 339, 340, 343, 347, 349) and RX switch (D22), then applied to the RF amplifier (Q23). The amplified signals are passed through the attenuator (R39, 40, 51), and applied to the another RF amplifier (Q18) to be amplified again. The amplified signals are then passed through another attenuator (R14) and RX switch (D9) before being applied to the 1st mixer (IC20).

1ST IF CIRCUITS

RX signals from the RF circuits are converted into the 46.35 MHz 1st IF signal by being mixed with LO signals from the right band VCO (Q72, D89, 90; Q73, D87, 91, 92).

The converted IF signal from the 1st mixer (IC20) is passed through the IF filter (IF6) to be filtered. The filtered IF signal is applied to the 1st IF amplifier (Q75) via the limiter (D100). The amplified 1st IF signal is applied to the IF IC (IC18, pin 16)

2ND IF AND DEMODULATOR CIRCUITS

IC15 is an IF IC which contains 2nd mixer, limiter amplifier, noise amplifier, quadrature detector and RSSI circuit, etc. in its package.

The 1st IF signal from the 1st IF amplifier (Q75) is converted into the 450 kHz 2nd IF signal by being mixed with tripled reference frequency signal (45.9 MHz) from the PLL IC (IC14) via the tripler (Q52). The converted 2nd IF signal is output from pin 3, and passed through the ceramic filter (FI3 for narrow mode, FI4 for wide mode) to remove sideband noise, then applied to the IF IC from pin 5 again.

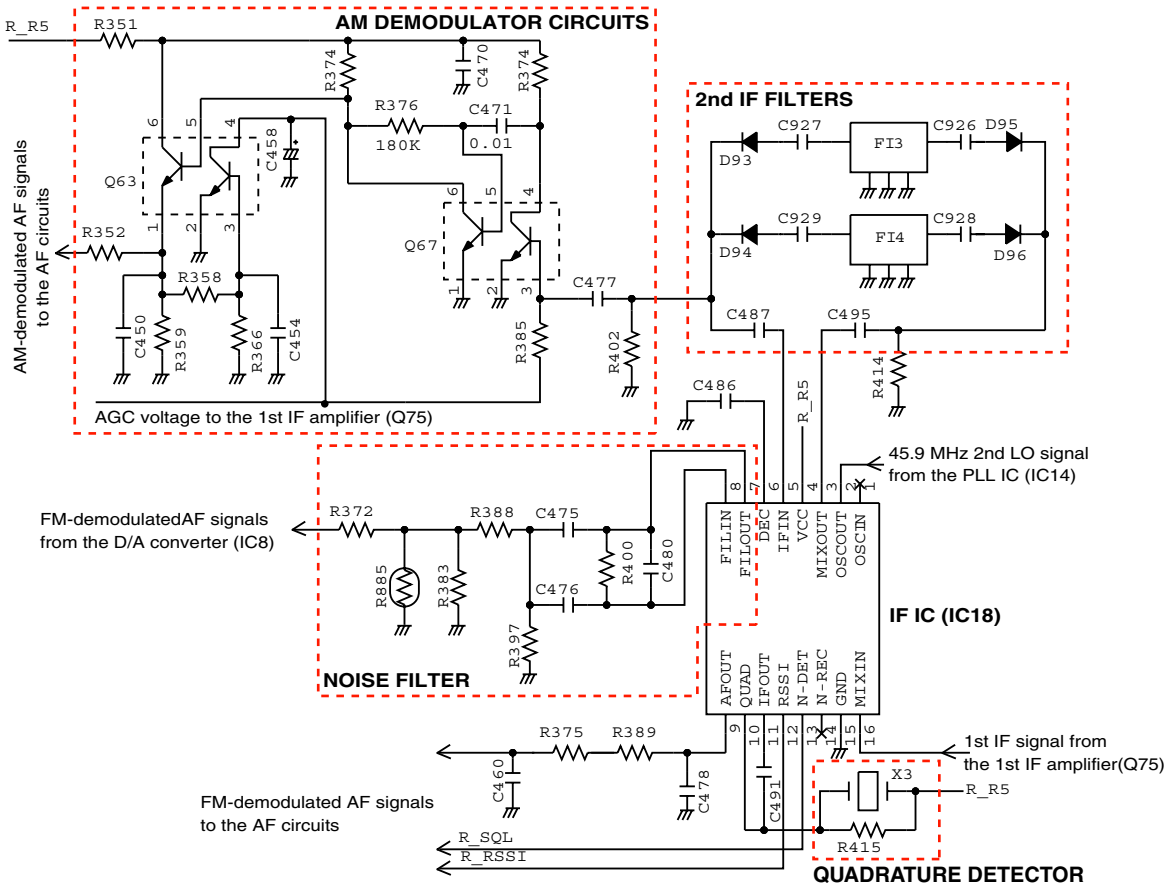
• FM DEMODULATOR

The filtered 2nd IF signal from pin 5 is amplified at the limiter amplifier, and FM-demodulated at the quadrature detector circuit (X3). The demodulated AF signals are output from pin 9 and routed to the AF circuits via two AF switches (IC12 and IC16).

• AM DEMODULATOR CIRCUITS

In the AM mode, the 2nd IF signal from the FI3 is applied to the AM-demodulator circuit (Q63, Q67). The demodulated AF signals are routed to the AF circuits via two AF switches (IC12 and IC16).

• DEMODULATOR CIRCUITS (Right band)



SQUELCH CIRCUITS

• NOISE SQUELCH

A portion of FM-demodulated AF signals from the IF IC (IC18, pin 9) are level-adjusted by D/A converter (IC8), and passed through the noise filter (IC18 and some R and C) to be filtered noise components (30 kHz and above signals) in the AF signals. The filtered noise components are detected in the IC18 and output from pin 13, then applied to the CPU as “R_SQL” signal.

Then the CPU outputs “R_AF_MUTE” signal from pin 51 to the speaker mute switch (Q102), according to the “R_SQL” signal level. Thus the AF line is connected to the GND to turn the AF output OFF.

• CTCSS/DTCS

CTCSS/DTCS signals in the demodulated AF signals from the AF switch (IC16) are passed through the tone filter (Q42) . The filtered CTCSS/DTCS signals are applied to the CPU IC12) as “R_DTCS” signal.

The CPU (IC25) compares the applied signal and the set CTCSS/DTCS, then outputs control signal as same as “NOISE SQUELCH.”

• DTMF

DTMF signals in the demodulated AF signals from the AF switch (IC16) are passed through two AF switches (IC57 and IC58), then applied to the DTMF decoder (IC56) to be decoded.

AF CIRCUITS

The AM/FM-demodulated AF signals from the AF switch (IC12) are passed through the AF filter (Q48). The filtered AF signals are applied to the electric volume (IC33) to be adjusted its level. The level-adjusted AF signals are applied to the dual AF power amplifier (IC38) to obtain AF output power level, then applied to the an external speaker via external speaker jack (J8).

4-2 TRANSMITTER CIRCUITS

MICROPHONE AMPLIFIER CIRCUITS

The audio signals from the microphone (MIC signals) are applied to the microphone amplifier (IC28) via J2 and HPF (Q87). The amplified MIC signals are passed through the microphone gain switch (Q88) and MIC mute switch (IC30), then passed through or by-passed ALC amplifier (IC32) via AF switches (IC29 and IC52).

The MIC signals from the AF switch (IC52) are passed through the HPF (IC48), LPF (IC48) and AF switch (IC51), and then applied to the AF amplifier (IC48). The amplified MIC signals are applied to the D/A converter (IC8) for level (deviation) adjustment. The level adjusted MIC signals are applied to the VCO as the modulation signals via modulation signal selector.

<OPERATION ON THE LEFT BAND>

The modulation signals are applied to the variable capacitor D147 of the left band VCO (Q111, D145–147) via the modulation selector (IC9) and modulation mute switch (Q109), and modulated. The modulated VCO output are amplified by the buffer (Q113) and LO amplifier (IC44), and applied to the transmit amplifiers as the TX signal, via the LO switches (D155, 157), LPF(L157, C818, 820) and attenuator (R33, 37, 46).

TRANSMIT POWER AMPLIFIERS

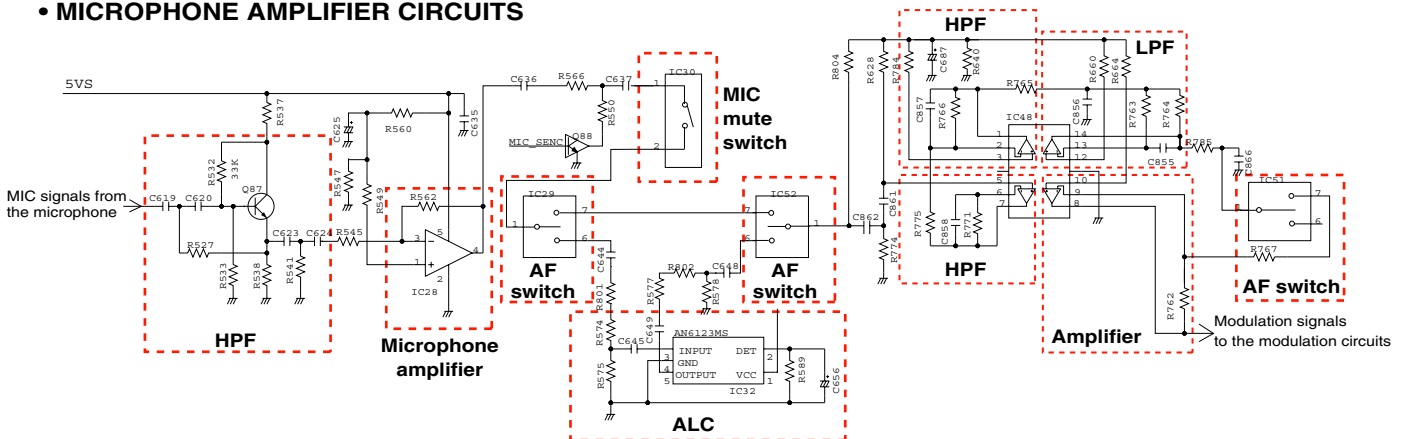
TX signal from the attenuator (R33, 37, 46) is amplified by pre-drive (Q25) and drive (Q27) amplifiers to obtain RF level for power module (IC3). The amplified TX signal is applied to the power amplifier which is a VHF band PA module composed by two power MOS-FETs. The power-amplified TX signal is passed through the LPF, power detector, antenna switch (D59) and LPF, before being applied to the antenna connector (CHASSIS; J1).

APC CIRCUITS

A portion of the TX signal from IC3 is rectified at the power detector (D39, D47), and converted into the DC voltage which is in proportion to the RF power, and applied to the operational amplifier (IC4, pin 6). IC4 is an APC amplifier for both of V/UHF bands. The TX power setting voltage “PCON_V” from the D/A converter (IC1, pin 7) is applied to the pin 5 as a reference. IC4 is rolled as a differential amplifier which outputs voltage in inverse proportion to rectified one. When the TX power increased, the rectified voltage also increased, that causes the decrease of output voltage of differential amplifier. The decrease of output voltage of differential amplifier causes the drop of the gate voltage of IC3, Thus the TX power maintained to keep stable level.

TX muting is carried out by TX mute SW (Q36) controlled by “TX_mute” signal. Applying “TX_mute” signal to the base terminal of Q36 to turn it ON, 8 V DC appears on the pin 6 of IC4 and its output voltage downs to 0 V DC to inactivate IC3.

• MICROPHONE AMPLIFIER CIRCUITS



<OPERATION ON THE RIGHT BAND>

The modulation signals are applied to the variable capacitor D87 of the left band VCO (Q73, D87, 91, 92) via the modulation selector (IC63) and modulation mute switch (Q64), and modulated. The modulated VCO output are amplified by the buffer (Q76) and LO amplifier (IC45), and applied to the transmit amplifiers as the TX signal, via the VCO switch (D102). The amplified LO signals are applied to the transmit amplifiers via the LO switch (D103), two HPFs (L124, C527, 532; L159, C533, 535) and attenuator (R43, 47, 57).

TRANSMIT POWER AMPLIFIERS

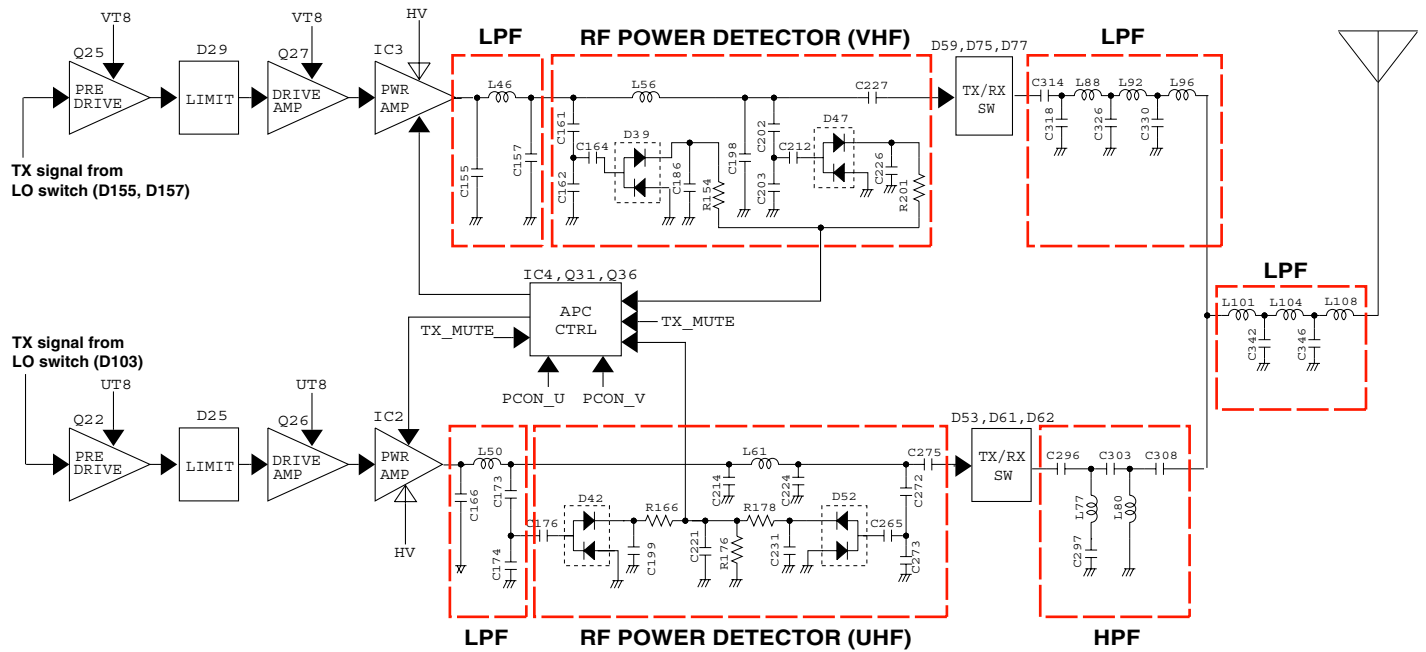
TX signal from the attenuator (R43, 47, 57) is amplified by pre-drive (Q22) and drive (Q26) amplifiers to obtain RF level for power module (IC2). The amplified TX signal is applied to the power amplifier which is a UHF band PA module composed by two power MOS-FETs. The power-amplified TX signal is passed through the LPF, power detector, antenna switch (D62) and LPF, before being applied to the antenna connector (CHASSIS; J1).

APC CIRCUITS

A portion of the TX signal from IC2 is rectified at the power detector (D42, 52), and converted into the DC voltage which is in proportion to the RF power, and applied to the operational amplifier (IC4, pin 2). IC4 is an APC amplifier for both of V/UHF bands. The TX power setting voltage "PCON_U" from the D/A converter (IC1, pin 6) is applied to the pin 3 as a reference. IC4 is rolled as a differential amplifier which outputs voltage in inverse proportion to rectified one. When the TX power increased, the rectified voltage also increased, that causes the decrease of output voltage of differential amplifier. The decrease of output voltage of differential amplifier causes the drop of the gate voltage of IC2, Thus the TX power maintained to keep stable level.

TX muting is carried out by TX mute SW (Q36) controlled by "TX_mute" signal. Applying "TX_mute" signal to the base terminal of Q36 to turn it ON, 8 V DC appears on the pin 6 of IC4 and its output voltage downs to 0 V DC to inactivate IC3.

• APC CIRCUITS



4-3 FREQUENCY SYNTHESIZER

VCOs

This transceiver has 3 VCOs; Left band VCO, Right band RX VCO and Right band TX/RX VCO.

LEFT BAND VCO (Q111, D145–147)

This VCO oscillates 1st LO signals for Left band RX and TX signal for VHF band.

<While receiving>

The VCO output signal is amplified by buffer (Q113) and LO amplifier (IC44), and applied to the LO filters according to the RX frequency.

• While Receiving 118–174 MHz signals

LO signals 135.575–255.575 MHz are applied to the divider (IC43) via LO switch (D150) and attenuator (R706, 710, 711), and divided into 271.15–511.15 MHz signals. The divided LO signals are buffer-amplified by Q116, and applied to the left band 1st mixer (IC19) via the LPF (L115, 156, C809, 812, 816) and another LO switch (D156).

• While Receiving 174–260 MHz signals

LO signals 141.15–221.145 MHz are passed through the LPF (L148, 152, C785, 789, 795, 804) via LO switches (D151, 153), and applied to the left band 1st mixer (IC19).

• While Receiving 375–550 MHz signals

LO signals 135.575–255.575 MHz are doubled to 271.15–511.15 MHz signals, by being passed through the HPF (L149, C787, 790, 791), LPF (L151, C794, 796, 799) and HPF (L153, C800, 807) via LO switches (D152, 154). The doubled LO signals are applied to the left band 1st mixer (IC19).

<While transmitting>

The VCO output signal is amplified by buffer (Q113) and LO amplifier (IC44), and applied to the transmit amplifiers via the LO switches (D155, 157), LPF(L157, C818, 820) and attenuator (R33, 37, 46).

RIGHT BAND RX VCO (Q72, D89, 90)

This VCO oscillates 1st LO signals for right band RX (118–174 MHz and 810–1000 MHz).

The VCO output signal is amplified by buffer (Q74) and applied to the LO amplifier (IC45) via VCO switch (D160), and applied to the LO filters according to the RX frequency.

• While Receiving 118–174 MHz signals

LO signals 164.35–220.35 MHz are passed through the LPF (L123, 125, C529, 534, 539) via LO switches (D107, 159), and applied to the right band 1st mixer (IC20).

• While Receiving 810–1000 MHz signals

LO signals 381.825–476.82 MHz are applied to the LO amplifier (IC62) via LO switch (D101). The amplified LO signals are doubled to 763.65–953.64 MHz signals by being passed through the HPF (L130, 133, C554, 558, 560), LPF (L151, C794, 796, 799) and HPF (L135, C563, 568).

The doubled LO signals are applied to the right band 1st mixer (IC20).

RIGHT BAND TX/RX VCO (Q73, D87, 91, 92)

This VCO oscillates 1st LO signals for right band RX (375–550 MHz).

<While receiving>

LO signals 353.65–523.17 MHz are passed through the RF mute switch (Q79) and LPF (L131, 134, C562) via LO switches (D104, 108), and applied to the right band 1st mixer (IC20).

<While transmitting>

The VCO output signal is amplified by buffer (Q76), and applied to the LO amplifier (IC45) via the VCO switch (D102). The amplified LO signals are applied to the transmit amplifiers via the LO switch (D103), two HPFs (L124, C527, 532; L159, C533, 535) and attenuator (R43, 47, 57).

• VCO CONFIGURATION BY FREQUENCY

VCO		LEFT BAND VCO	RIGHT BAND RX VCO	RIGHT BAND TX/RX VCO	
Components		(Q111, D145–147)	(Q72, D89, 90)	(Q73, D87, 91, 92)	
Oscillating Frequency	RX	(118–174 MHz)	135.575–255.575 MHz	164.35–220.35 MHz	–
		(174–260 MHz)	141.15–221.145 MHz	381.825–476.82 MHz	–
		(375–550 MHz)	135.575–255.575 MHz	–	353.65–523.17 MHz
	TX	136–174 MHz	–	400–470 MHz	

PLL CIRCUITS

The PLL circuit provides stable oscillation of the transmit frequency and receive 1st LO frequency. The PLL output frequency is controlled by the divided ratio (N-data) from the CPU.

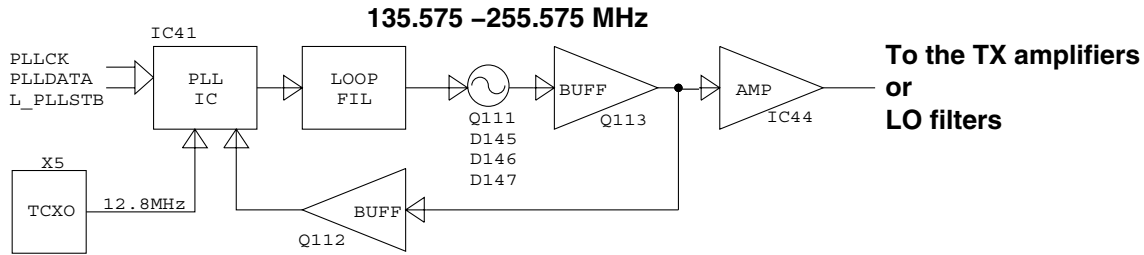
LEFT BAND VCO LOOP

A portion of VCO output signals from the buffer (Q113) are applied to the PLL IC (IC41) via another buffer (Q112). The applied signals are divided at the prescaler and programmable counter according to the control signals ("L_PLLSTB," "PLLDATA" and "PLLCK") from the CPU. The divided signal is phase-compared with the 12.8 MHz reference frequency signal from the reference frequency oscillator (X5), at the phase detector.

The phase difference is output from pin 5 as a pulse type signal after being passed through the internal charge pump. The output signal is converted into the DC voltage (lock voltage) by passing through the loop filter (R694, 696–698, C760–762). The lock voltage is applied to the variable capacitors (D145 and D146), and locked to keep the VCO frequency constant.

If the oscillated signal drifts, its phase changes from that of the reference frequency, causing a lock voltage change to compensate for the drift in the VCO oscillating frequency.

• LEFT BAND VCO LOOP



RIGHT BAND RX VCO LOOP

A portion of VCO output signals from the buffer (Q74) are applied to the PLL IC (IC14) via the VCO switch (D160) and another buffer (Q112). The applied signals are divided at the prescaler and programmable counter according to the control signals ("R_PLLSTB," "PLLDATA" and "PLLCK") from the CPU. The divided signal is phase-compared with the 15.3 MHz reference frequency signal from the reference frequency oscillator (X1), at the phase detector.

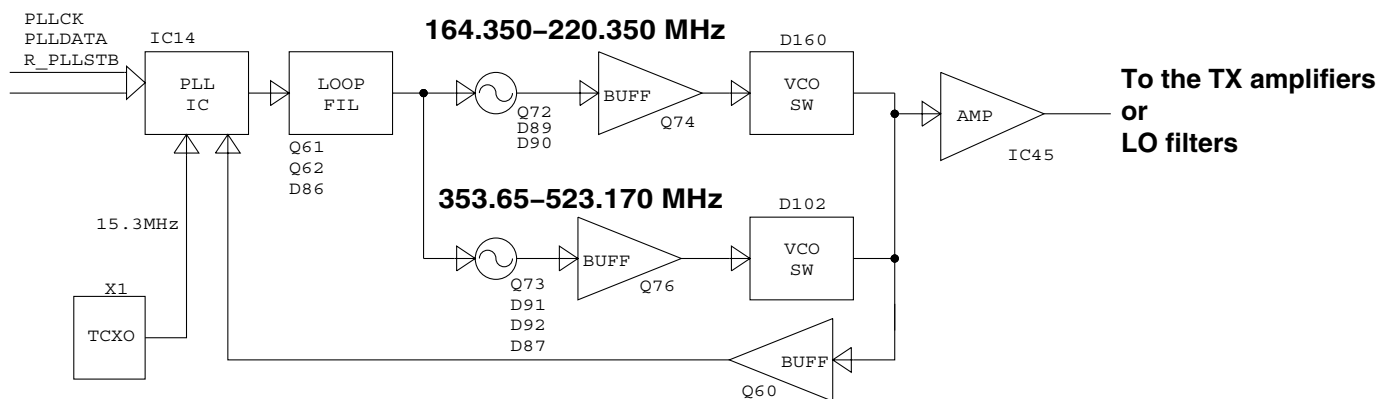
RIGHT BAND TX/RX VCO

A portion of VCO output signals from the buffer (Q76) are applied to the PLL IC (IC14) via the VCO switch (D102) and another buffer (Q60). The applied signals are divided at the prescaler and programmable counter according to the control signals ("R_PLLSTB," "PLLDATA" and "PLLCK") from the CPU. The divided signal is phase-compared with the 15.3 MHz reference frequency signal from the reference frequency oscillator (X1), at the phase detector.

The phase difference is output from pin 5 as a pulse type signal after being passed through the internal charge pump. The output signal is converted into the DC voltage (lock voltage) by passing through the loop filter (Q61, 62, D86). The lock voltage is applied to the variable capacitors (D91, 92), and locked to keep the VCO frequency constant.

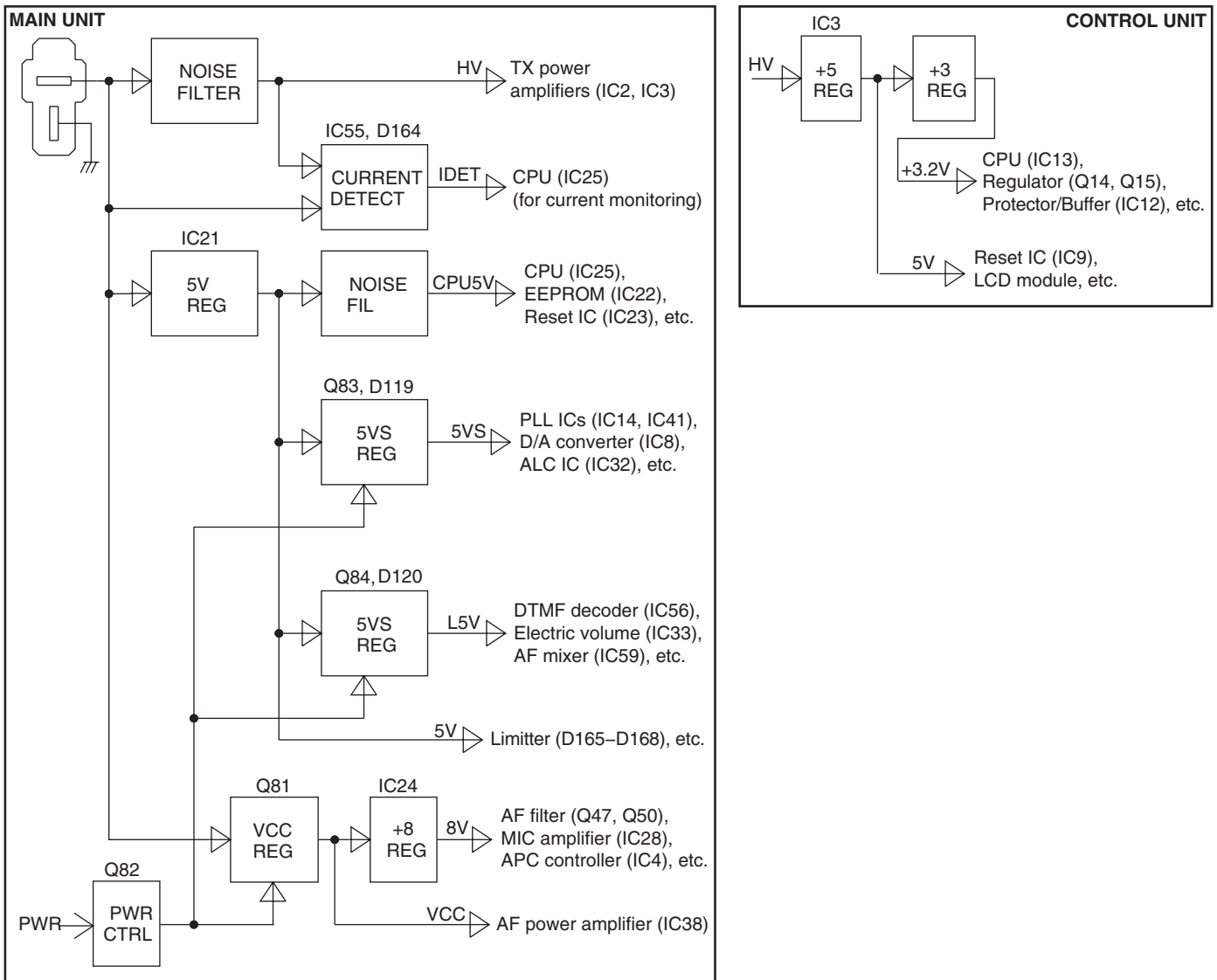
The phase difference is output from pin 5 as a pulse type signal after being passed through the internal charge pump. The output signal is converted into the DC voltage (lock voltage) by passing through the loop filter (Q61, 62, D86). The lock voltage is applied to the variable capacitors (D91, 92), and locked to keep the VCO frequency constant.

• RIGHT BAND RX AND TX/RX VCO LOOP



4-4 POWER SUPPLY CIRCUITS

Voltage from the power supply is routed to whole of the circuit in the transceiver via switches and regulators.



4-5 CPU PORT ALLOCATION

PIN No.	PORT NAME	DESCRIPTION	I/O
3	AN	Cut-off frequency shifting signal to the HPF (IC48).	O
4	DA_SEL	Cut-off frequency shifting signal to the HPF (IC48).	O
5	MM_MUTE	MIC mute signal to the MIC mute switch (IC30). "H"=MIC mute.	O
6	DCONT	ALC amplifier control signal tot the AF switches (IC29 and IC52). "H"=ALC amplifier ON.	O
7	R_WN_SEL	2nd IF filter (Right band; Wide/Narrow) toggling signal. "H"=Narrow. "L"=Wide.	O
11	MIC_SENC	Microphone sensitivity select signal. "H"=High sensitivity.	O
17	MOD_DA	Modulation line switching signal to the MOD selector (Left band; IC9). "H"=Modulation enable.	O
18	MODSEL	Modulation line switching signal to the MOD selector (Right band; IC63). "H"=Modulation enable.	O
21	R_PLLSTB	Strobe signal to the PLL IC (Right band; IC14).	O
22	L_PLLSTB	Strobe signal to the PLL IC (Left band; IC41).	O
23	L_AMC	AM-demodulator circuit (Left band) control signal. "H"=AM mode (AM-modulator circuit is activated).	O
24	DTCS_SEL	Tone filter switching signal to the LPF (Q100). "H"=DTCS mode. "L"=CTCSS mode.	O
25	L_R5C	RX circuits (Left band) control signal. "H"=RX circuits (Left band) is activated.	O
26	L_WN_SEL	2nd IF filter (Wide/Narrow) toggling signal.(Left band) "H"=Narrow. "L"=Wide."	O
27	UMMUTE	Modulation mute signal to the MOD mute switch (Right band; Q64). "H"=Modulation muted.	O
28	UTX_C	Transmitting control signal to the VT8 regulator (Q12, 15).	O
29	L_VCO_SHIFT	VCO oscillating frequency shift signal to the Left band VCO.	O
30	R_PLLSW	Lock-up time control signal to the loop filter (Right band). "H"=Fast lock-up time.	O
31	R_UNLOCK	PLL unlock signal from the PLL IC (Right band; IC14).	I
32	PLLCK	Clock signal to the PLL ICs (Right band; IC14, Left band; IC41). (Commonly used for both of the Left and Right bands.)	O
33	PLLDATA	Data to the PLL ICs (Right band; IC14, Left band; IC41). (Commonly used for both of Left and Right bands.)	O
34	L_UNLOCK	PLL unlock signal from the PLL IC (Left band; IC41).	I
35	VMMUTE	Modulation mute signal to the MOD mute switch (Left band; Q109). "H"=Modulation muted.	O
36	VTX_C	Transmitting control signal to the UT8 regulator (Q13, 17). "H"=While transmitting.	O
37	L_PLLSW	Lock-up time control signal to the loop filter (left band). "H"=Fast lock-up time.	O

PIN No.	PORT NAME	DESCRIPTION	I/O
38	R_UVCO_SEL	VCO power control signal to the VCO select switch (Right band UHF; Q65, 68). "L"=Right band TX/RX VCO is activated.	O
39	R_VVCO_SEL	VCO power control signal to the VCO select switch (Right band VHF; Q65, 68). "L"=Right band RX VCO is activated.	O
40	L_LO_SW	LO filter switching signal to the LO regulator (Q106).	O
42	R_DA_SEL	AF line switching signal to the AF switch (IC12).	O
42	R_AFFIL_SEL	Switching signal to the AF filter (Right band; Q48).	O
43	R_DET_MUTE	AF line switching signal to the AF switch (IC16). "H"=AF mute.	O
44	L_DA_SEL	AF line switching signal to the AF switch (IC11).	O
45	L_DET_MUTE	AF line switching signal to the AF switch (IC13). "H"=AF mute.	O
48	D5VC	Power control signal for the optional unit.	O
51	R_AF_MUTE	AF mute signal to the SP mute switch (Right band; Q101). "H"=AF mute.	O
52	L_AFFIL_SEL	Switching signal to the AF filter (Left band; Q47).	O
53	DA3STB	Strobe signal to the D/A converter.	O
53	DA2_STB	Strobe signal to the electric volume.	O
55	DTCS	DTCS signal.	O
56	DTMF	DTMF signal.	O
57	MIC_SEL	Connected microphone detect signal.	I
61	DTMSTB	Strobe signal to the DTMF decoder (IC56).	-
62	MICUD	[UP]/[DWN] key input.	I
63	R_RSLV	While receiving; inputs RSSI signal (IC18; Right band). While transmitting; inputs Lock Voltage from the PLL IC (IC14).	I
64	L_RSLV	While receiving; inputs RSSI signal from IF ICI (IC15; Left band). While transmitting; inputs Lock Voltage from the PLL IC (IC41).	I
65	IDET	Current level from the current detector (IC55, Q164).	I
68	R_DTCS_IN	Demodulated DTCS signals from the CTCSS filter (Q42).	I
70	L_DTCS_IN	Demodulated DTCS signals from the CTCSS filter (Q41).	I
71	TEMP	Transceiver's internal temperature from the thermal detector circuit (R509).	I
76	SCL	I/O port for clock signal to the EEPROM (IC22).	I/O
77	AF_VOL_CK	Serial clock signal to the electric volume IC.	O
78	AF_VOL_DATA	Data signal to the electric volume IC.	O
79	AF_VOL_STB	Latch enable signal to the electric volume IC.	O
80	AF_VOL_RES	Reset signal to the electric volume IC.	O
80	PWR	Power control signal to the PWR controller (Q82). "H"=While the power is ON.	O
82	SDA	Data signal to the EEPROM (IC22).	I/O
83	L_AF_MUTE	AF mute signal to the SP mute switch (Q102).	O
85	MIC_PTT	Input port for [PTT] key on the connected microphone.	I

PIN No.	PORT NAME	DESCRIPTION	I/O
100	RESET	Reset enable signal input.	I
101	L_SQL	Noise signal from the IF IC (Left band; IC15).	I
102	CL_SFT2	Clock frequency shifting signal.	O
105	R_SQL	Noise signal from the IF IC (Right band; IC18).	I
122	R_DATA	Data lines for the control unit.	I
123	TX_DATA	Data lines for the control unit.	O
127	TX232	Data bus for RS-232C communication.	O
128	RX232	Data bus for RS-232C communication.	I
129	DA_CK	Serial clock signal to the D/A converter.	O
130	DA_DATA	Serial data to the D/A converter.	O
134	DA_STB	Strobe signal to the D/A converter.	O
135	R_R5C	RX circuits (Right band) control signal.	O
136	R400_S	Power line control signal to the 375–550 MHz band RF circuit (Right band).	O
137	R_RX800	Power line control signal to the 810–1000 MHz band RF circuit (Right band).	O
138	R_AMC	AM-demodulator circuit (Right band) control signal.	O
143	DTMSD	Data to the DTMF decoder (IC56).	-
144	DTMCK	Clock signal to the DTMF decoder (IC56).	-

SECTION 5 ADJUSTMENT PROCEDURE

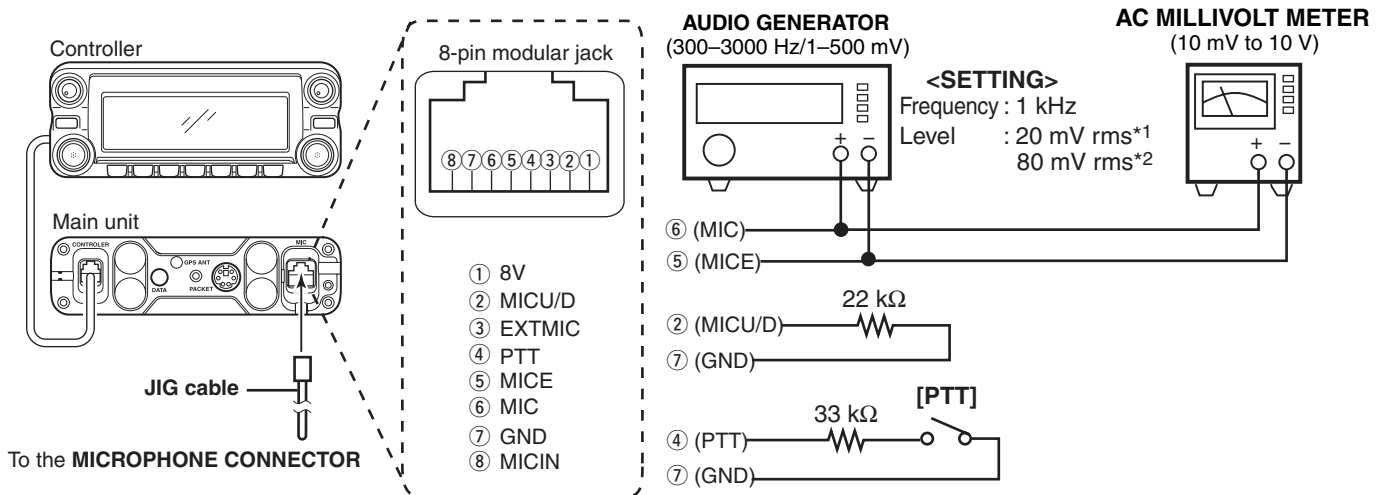
5-1 PREPARATION

REQUIRED TEST EQUIPMENTS

When adjusting IC-E2820, following test equipments and JIG cable (modified 8-pin modular jack; see the illust below) are required.

EQUIPMENT	GRADE AND RANGE	EQUIPMENT	GRADE AND RANGE
DC power supply	Output voltage : 13.8 V DC Current capacity : More than 20 A	Audio generator	Frequency range : 300–3000 Hz Output level : 1–500 mV
RF power meter (terminated type)	Measuring range : 1–100 W Frequency range : 100–600 MHz Impedance : 50 Ω SWR : Less than 1.2 : 1	Standard signal generator (SSG)	Frequency range : 0.1–1 GHz Output level : 0.1 μV to 32 mV (–127 to –17 dBm)
Frequency counter	Frequency range : 0.1–600 MHz Frequency accuracy: ±1 ppm or better Sensitivity : 100 mV or better	AC millivoltmeter	Measuring range : 10 mV to 10 V
		Terminator	Impedance : 50 Ω Capacity : More than 100 W
Modulation Analyzer	Frequency range : 30–600 MHz Measuring range : DC to ±10 kHz	Attenuator	Power attenuation : 40 dB Capacity : More than 100 W

JIG CABLE

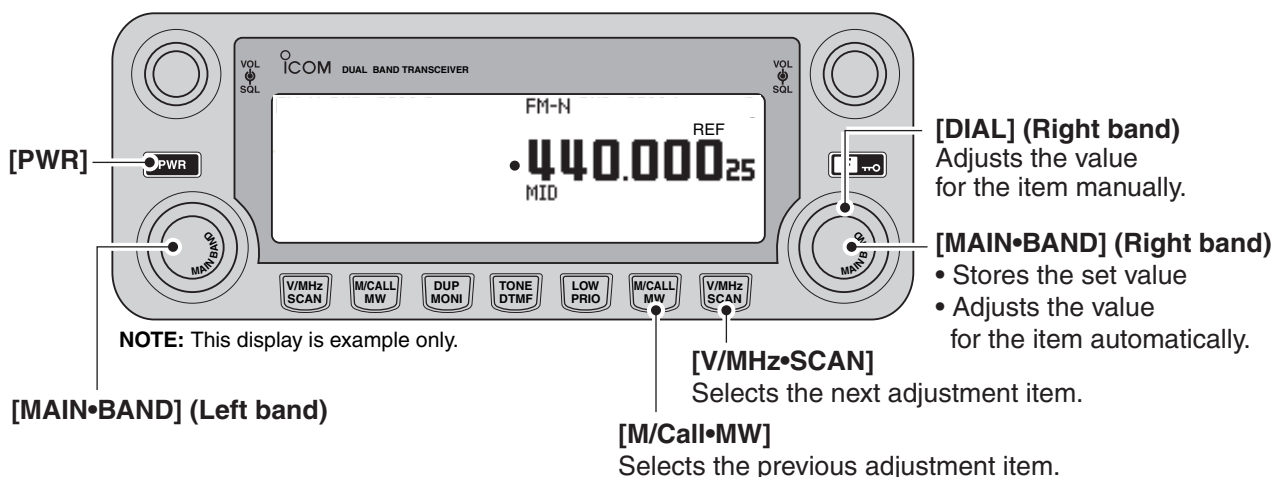


ENTERING ADJUSTMENT MODE

- 1 Connect the JIG cable to the **MICROPHONE CONNECTOR** (see the illust above).
- 2 Push and hold the both of **[MAIN•BAND]** keys, then turn power ON.

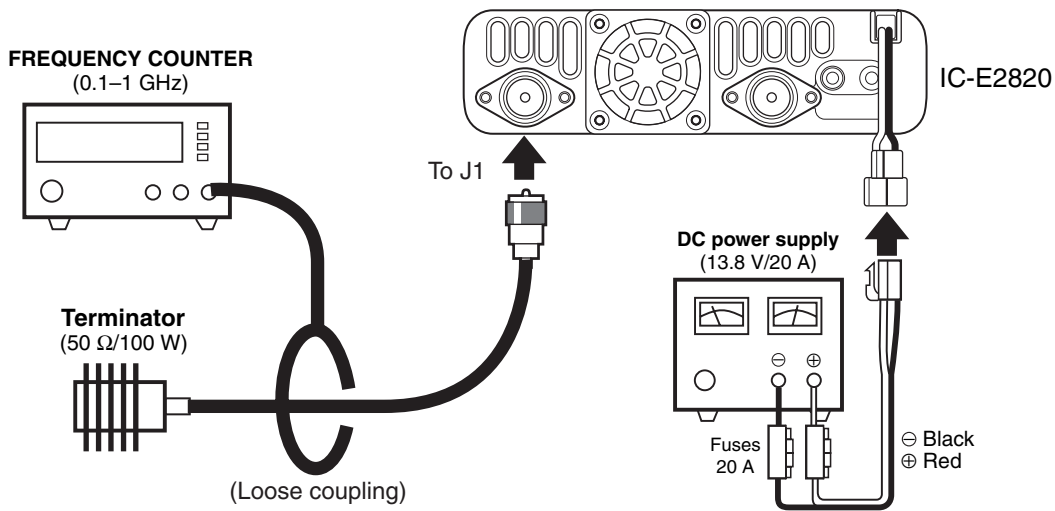
KEY ASSIGNMENTS IN THE ADJUSTMENT MODE

Entering adjustment mode, the function display shows adjustment item and conditions as below.



5-2 FREQUENCY ADJUSTMENT

• CONNECTIONS FOR FREQUENCY ADJUSTMENT

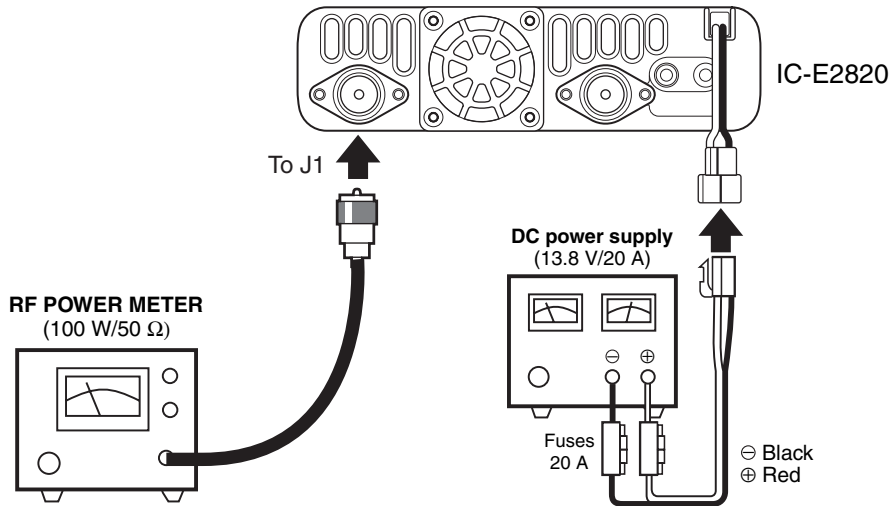


ADJUSTMENT		ADJUSTMENT CONDITIONS	OPERATION	VALUE
REFERENCE FREQUENCY (Left Band) [L REF]	1	<ul style="list-style-type: none"> • Connect a Terminator to the antenna connector (J1). • Loosely couple a Frequency Counter to the antenna connector (J1). 	Rotate the right band's [DIAL] to adjust the reference frequency, then push the right band's [MAIN •BAND] key.	146.000 MHz
(Right Band) [R REF]	2	<ul style="list-style-type: none"> • Transmitting 		435.000 MHz

5-3 TRANSMIT ADJUSTMENTS

■ TRANSMIT OUTPUT POWER ADJUSTMENT

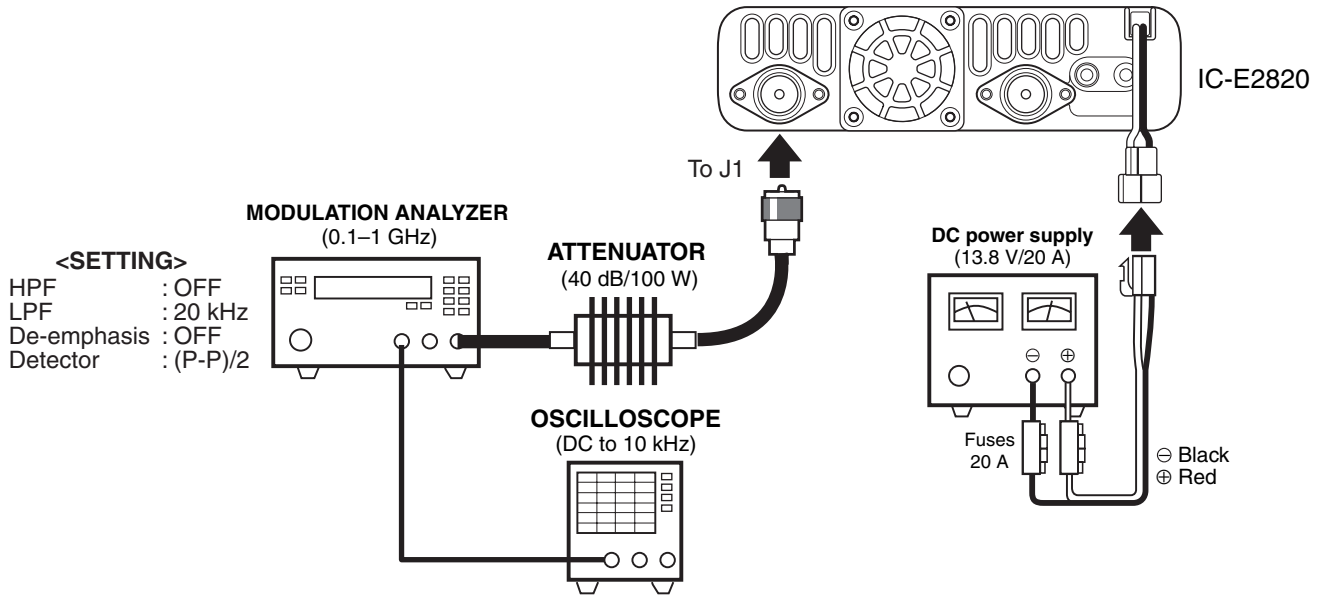
• CONNECTIONS FOR TX POWER ADJUSTMENT



ADJUSTMENT ITEM		ADJUSTMENT CONDITIONS		OPERATION	VALUE
144 MHz BAND TRANSMIT OUTPUT POWER (HI POWER)	(Band Low) [L PHL]	1	<ul style="list-style-type: none"> Connect an RF Power Meter to the antenna connector (J1). Transmitting 	Rotate the right band's [DIAL] to adjust the transmit output power, then push the right band's [MAIN •BAND] key during transmit.	50 W
	(Band High) [L PHH]	2			
(MID POWER)	(Band Low) [L PML]	3			5 W
	(Band High) [L PMH]	4			
(LOW POWER)	(Band Low) [L PLL]	5			5 W
	(Band High) [L PLH]	6			
430 MHz BAND TRANSMIT OUTPUT POWER (HI POWER)	(Band Low) [R PHL]	1	<ul style="list-style-type: none"> Connect an RF Power Meter to the antenna connector (J1). Transmitting 	Rotate the right band's [DIAL] to adjust the transmit output power, then push the right band's [MAIN •BAND] key during transmit.	50 W
	(Band High) [R PHH]	2			
(MID POWER)	(Band Low) [R PML]	3			15 W
	(Band High) [R PMH]	4			
(LOW POWER)	(Band Low) [R PLL]	5			5 W
	(Band High) [R PHH]	6			

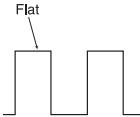
■ DEVIATION ADJUSTMENT

• CONNECTION FOR MODULATION ADJUSTMENTS



ADJUSTMENT ITEM				ADJUSTMENT CONDITIONS	OPERATION	VALUE
144 MHz BAND BAND DEVIATION (Left Band)	(Band Low)	(FM) [L FMD]	1	<ul style="list-style-type: none"> Connect a Modulation Analyzer to the antenna connector (J1) through an attenuator. Connect an Audio Generator to the JIG cable (See the page 5-1 for the connector and setting details). Transmitting 	Rotate the right band's [DIAL] to adjust the deviation, then push the right band's [MAIN•BAND] key during transmit.	±4.2 kHz
		(FM-N) [L FMD]	2			±2.1 kHz
	(Band Center)	(FM) [L FMD]	3			±4.2 kHz
		(FM-N) [L FMD]	4			±2.1 kHz
	(Band High)	(FM) [L FMD]	5			±4.2 kHz
		(FM-N) [L FMD]	6			±2.1 kHz
144 MHz BAND MODULATION BALANCE (Left Band)	(Band Low)	(FM) [L FMB]	1	<ul style="list-style-type: none"> Connect a Modulation Analyzer to the antenna connector (J1) through an attenuator. Connect an oscilloscope to the detector terminal of the Modulation Analyzer. No audio signals are applied to the JIG cable (See the page 5-1). Transmitting 	Rotate the right band's [DIAL] to adjust the wave form, then push the right band's [MAIN•BAND] key during transmit.	(Square Wave form)
		(FM-N) [L FMB]	2			
	(Band Center)	(FM) [L FMB]	3			
		(FM-N) [L FMB]	4			
	(Band High)	(FM) [L FMB]	5			
		(FM-N) [L FMB]	6			
144 MHz BAND DTCS MODULATION (Left Band)	(FM) [L MDT]	1	<ul style="list-style-type: none"> Connect a Modulation Analyzer to the antenna connector (J1) through an attenuator. No audio signals are applied to the JIG cable (See the page 5-1). Transmitting 	Rotate the right band's [DIAL] to adjust the deviation, then push the right band's [MAIN•BAND] key.	±0.8 kHz	
	(FM-N) [L MDT]	2				
144 MHz CTCSS MODULATION (Left Band)	(FM) [L MCT]	1	<ul style="list-style-type: none"> Connect a Modulation Analyzer to the antenna connector (J1) through an attenuator. No audio signals are applied to the JIG cable (See the page 5-1). Transmitting 	Rotate the right band's [DIAL] to adjust the deviation, then push the right band's [MAIN•BAND] key.	±0.75 kHz	
	(FM-N) [L MCT]	2				

DEVIATION ADJUSTMENT (continued)

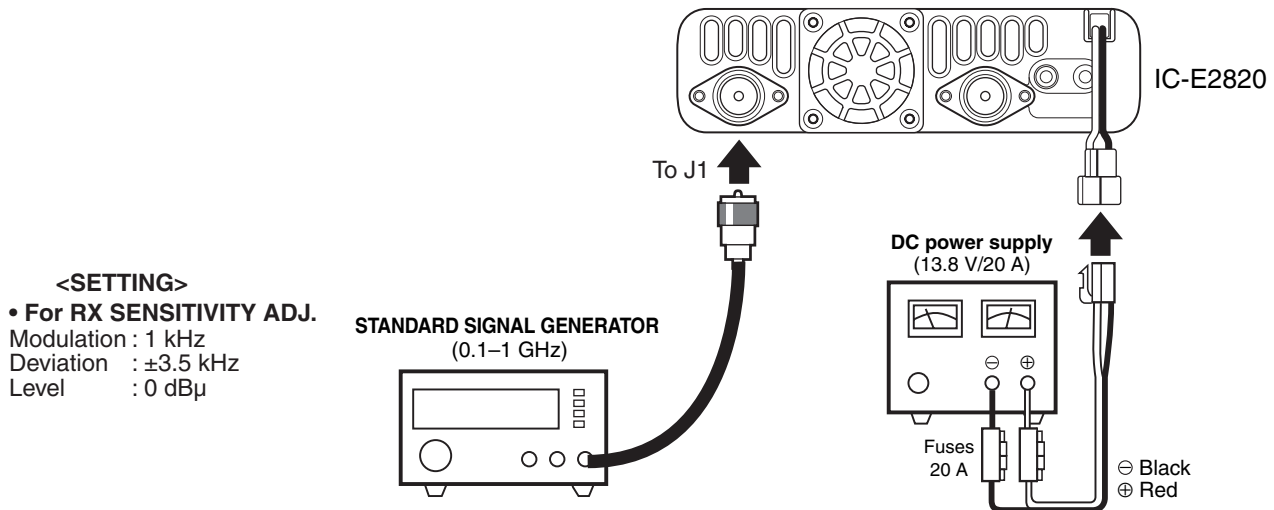
ADJUSTMENT ITEM			ADJUSTMENT CONDITIONS	OPERATION	VALUE	
430 MHz DEVIATION (Right Band)	(Band Low)	(FM) [R FMD]	1	<ul style="list-style-type: none"> Connect a Modulation Analyzer to the antenna connector (J1) through an attenuator. Connect an Audio Generator to the JIG cable (See the page 5-1 for the connector and setting details). Transmitting 	Rotate the right band's [DIAL] to adjust the deviation, then push the right band's [MAIN•BAND] key during transmit.	±4.2 kHz
		(FM-N) [R FMD]	2			±2.1 kHz
	(Band Center)	(FM) [R FMD]	3			±4.2 kHz
		(FM-N) [R FMD]	4			±2.1 kHz
	(Band High)	(FM) [R FMD]	5			±4.2 kHz
		(FM-N) [R FMD]	6			±2.1 kHz
430 MHz MODULATION BALANCE (Right Band)	(Band Low)	(FM) [R FMB]	1	<ul style="list-style-type: none"> Connect a Modulation Analyzer to the antenna connector (J1) through an attenuator. No audio signals are applied to the JIG cable (See the page 5-1). Transmitting 	Rotate the right band's [DIAL] to adjust the wave form, then push the right band's [MAIN•BAND] key during transmit.	(Square Wave form) 
		(FM-N) [R FMB]	2			
	(Band Center)	(FM) [R FMB]	3			
		(FM-N) [R FMB]	4			
	(Band High)	(FM) [R FMB]	5			
		(FM-N) [R FMB]	6			
430 MHz DTCS MODULATION (Right Band)	(FM) [R MDT]	1	<ul style="list-style-type: none"> Connect a Modulation Analyzer to the antenna connector (J1) through an attenuator. No audio signals are applied to the JIG cable (See the page 5-1). Transmitting 	Rotate the right band's [DIAL] to adjust the deviation, then push the right band's [MAIN•BAND] key.	±0.8 kHz	
	(FM-N) [R MDT]	2				
430 MHz CTCSS MODULATION (Right Band)	(FM) [R MCT]	1	<ul style="list-style-type: none"> Connect a Modulation Analyzer to the antenna connector (J1) through an attenuator. No audio signals are applied to the JIG cable (See the page 5-1). Transmitting 	Rotate the right band's [DIAL] to adjust the deviation, then push the right band's [MAIN•BAND] key.	±0.75 kHz	
	(FM-N) [R MCT]	2				
DV MODE DEVIATION* (144 MHz Band)	(Band Low)	[L MDS]	1	<ul style="list-style-type: none"> Connect a Modulation Analyzer to the antenna connector (J1) through an attenuator. Transmitting 	Rotate the right band's [DIAL] to adjust the deviation, then push the right band's [MAIN•BAND] key during transmit.	±0.9 kHz
	(Band Center)	[L MDS]	2			
	(Band High)	[L MDS]	3			
DV MODE MODULATION BALANCE* (144 MHz Band)	(Band Low)	[L MDB]	1	<ul style="list-style-type: none"> Connect a Modulation Analyzer to the antenna connector (J1) through an attenuator. Transmitting 	Rotate the right band's [DIAL] to adjust the wave form, then push the right band's [MAIN•BAND] key during transmit.	Minimum deviation
	(Band Center)	[L MDB]	2			
	(Band High)	[L MDB]	3			
DV MODE DEVIATION* (430 MHz Band)	(Band Low)	[R MDS]	1	<ul style="list-style-type: none"> Connect a Modulation Analyzer to the antenna connector (J1) through an attenuator. Transmitting 	Rotate the right band's [DIAL] to adjust the wave form, then push the right band's [MAIN•BAND] key during transmit.	±1 kHz
	(Band Center)	[R MDS]	2			
	(Band High)	[R MDS]	3			
DV MODE MODULATION BALANCE* (430 MHz Band)	(Band Low)	[R MDB]	1	<ul style="list-style-type: none"> Connect a Modulation Analyzer to the antenna connector (J1) through an attenuator. Transmitting 	Rotate the right band's [DIAL] to adjust the wave form, then push the right band's [MAIN•BAND] key during transmit.	Minimum deviation
	(Band Center)	[R MDB]	2			
	(Band High)	[R MDB]	3			

*; Optional UT-123 is required.

5-4 RECEIVE ADJUSTMENTS

■ SENSITIVITY ADJUSTMENT

• CONNECTION FOR RECEIVE SENSITIVITY AND RSSI ADJUSTMENTS



ADJUSTMENT ITEM		ADJUSTMENT CONDITIONS		OPERATION	VALUE	
SENSITIVITY	Connect a Standard Signal Generator to the antenna connector (J1).					
	118.020 MHz	(Left Band) [L LT1]	1	• Set the SSG as; Frequency : 118.020 MHz	Push the right band's [MAIN•BAND] key.	(Automatic adjustment)
		(Right Band) [R LT1]	2			
	127.020 MHz	(Left Band) [L MT1]	3	• Set the SSG as; Frequency : 127.020 MHz		
		(Right Band) [R MT1]	4			
	135.980 MHz	(Left Band) [L HT1]	5	• Set the SSG as; Frequency : 135.980 MHz		
		(Right Band) [R HT1]	6			
	136.020 MHz	(Left Band) [L LT2]	7	• Set the SSG as; Frequency : 136.020 MHz		
		(Right Band) [R LH2]	8			
	146.020 MHz	(Left Band) [L MT2]	9	• Set the SSG as; Frequency : 146.020 MHz		
		(Right Band) [R MT2]	10			
	173.980 MHz	(Left Band) [L HT2]	11	• Set the SSG as; Frequency : 173.980 MHz		
		(Right Band) [R HT2]	12			
	174.020 MHz	(Left Band) [L LT3]	13	• Set the SSG as; Frequency : 174.020 MHz		
	220.020 MHz	(Left Band) [L MT3]	14	• Set the SSG as; Frequency : 220.020 MHz		
	250.020 MHz	(Left Band) [L HT3]	15	• Set the SSG as; Frequency : 250.020 MHz		
	260.020 MHz	(Left Band) [L LT4]	16	• Set the SSG as; Frequency : 260.020 MHz		
	310.020 MHz	(Left Band) [L MT4]	17	• Set the SSG as; Frequency : 310.020 MHz		
360.020 MHz	(Left Band) [L HT4]	18	• Set the SSG as; Frequency : 360.020 MHz			

■ SENSITIVITY ADJUSTMENT (continued)

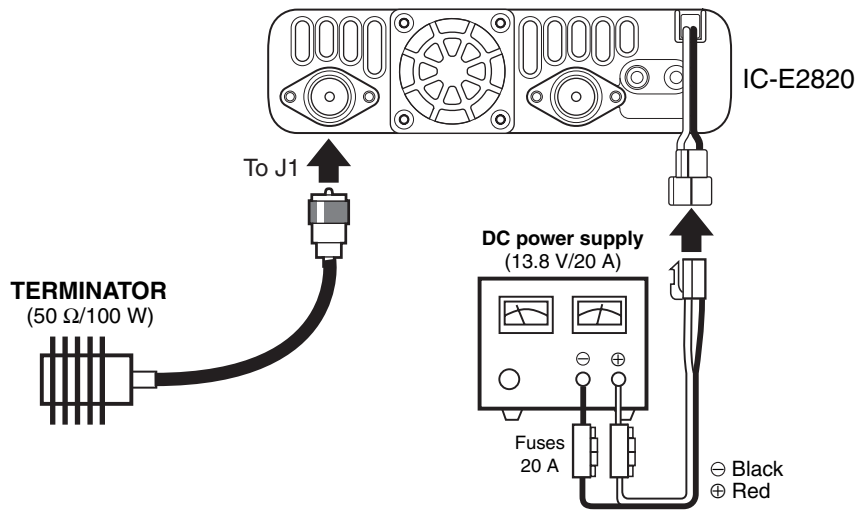
ADJUSTMENT ITEM				ADJUSTMENT CONDITIONS	OPERATION	VALUE
SENSITIVITY	375.020 MHz	(Left Band) [L LT5]	19	• Set the SSG as; Frequency : 375.020 MHz	Push the right band's [MAIN•BAND] key.	(Automatic adjustment)
		(Right Band) [R LT5]	20			
	399.980 MHz	(Left Band) [L HT5]	21	• Set the SSG as; Frequency : 399.980 MHz		
		(Right Band) [R HT5]	22			
	400.020 MHz	(Left Band) [L LT6]	23	• Set the SSG as; Frequency : 400.020 MHz		
		(Right Band) [R LT6]	24			
	440.020 MHz	(Left Band) [L MT6]	25	• Set the SSG as; Frequency : 440.020 MHz		
		(Right Band) [R MT6]	26			
	449.980 MHz	(Left Band) [L HT6]	27	• Set the SSG as; Frequency : 449.980 MHz		
		(Right Band) [R HT6]	28			
	450.020 MHz	(Left Band) [L LT7]	29	• Set the SSG as; Frequency : 450.020 MHz		
		(Right Band) [R LT7]	30			
	500.020 MHz	(Left Band) [L MT7]	31	• Set the SSG as; Frequency : 500.020 MHz		
		(Right Band) [R MT7]	32			
	549.980 MHz	(Left Band) [L HT7]	33	• Set the SSG as; Frequency : 549.980 MHz		
		(Right Band) [R HT7]	34			

■ S-METER ADJUSTMENT

ADJUSTMENT ITEM		ADJUSTMENT CONDITIONS		OPERATION	VALUE	
S-METER	Connect a Standard Signal Generator to the antenna connector (J1).					
	127.020 MHz (S3 level)	(Left Band) [L S31]	1	<ul style="list-style-type: none"> Set the SSG as; Frequency : 127.020 MHz Level : -1 dBμ 	Push the right band's [MAIN•BAND] key.	(Automatic adjustment)
		(Right Band) [R S31]	2			
	(Full scale)	(Left Band) [L SF1]	3	<ul style="list-style-type: none"> Set the SSG as; Level : +15 dBμ 		
		(Right Band) [R SF1]	4			
	146.020 MHz (S3 level)	(Left Band) [L S32]	5	<ul style="list-style-type: none"> Set the SSG as; Frequency : 146.020 MHz Level : -1 dBμ 		
		(Right Band) [R S32]	6			
	(Full scale)	(Left Band) [L SF2]	7	<ul style="list-style-type: none"> Set the SSG as; Level : +15 dBμ 		
		(Right Band) [R SF2]	8			
	220.020 MHz (S3 level)	(Left Band) [L S33]	9	<ul style="list-style-type: none"> Set the SSG as; Frequency : 220.020 MHz Level : -1 dBμ 		
		(Full scale)	(Left Band) [L SF3]			
	300.020 MHz (S3 level)	(Left Band) [L S34]	11	<ul style="list-style-type: none"> Set the SSG as; Frequency : 300.020 MHz Level : -1 dBμ 		
		(Full scale)	(Left Band) [L SF4]			
	387.020 MHz (S3 level)	(Left Band) [L S35]	13	<ul style="list-style-type: none"> Set the SSG as; Frequency : 387.020 MHz Level : -1 dBμ 		
		(Right Band) [R S35]	14			
	(Full scale)	(Left Band) [L SF5]	15	<ul style="list-style-type: none"> Set the SSG as; Level : +15 dBμ 		
		(Right Band) [R SF5]	16			
	435.020 MHz (S3 level)	(Left Band) [L S36]	17	<ul style="list-style-type: none"> Set the SSG as; Frequency : 435.020 MHz Level : -1 dBμ 		
		(Right Band) [R S36]	18			
	(Full scale)	(Left Band) [L SF6]	19	<ul style="list-style-type: none"> Set the SSG as; Level : +15 dBμ 		
		(Right Band) [R SF6]	20			
	500.020 MHz (S3 level)	(Left Band) [L S37]	21	<ul style="list-style-type: none"> Set the SSG as; Frequency : 500.020 MHz Level : -1 dBμ 		
		(Right Band) [R S37]	22			
	(Full scale)	(Left Band) [L SF7]	23	<ul style="list-style-type: none"> Set the SSG as; Level : +15 dBμ 		
		(Right Band) [R SF7]	24			
	910.020 MHz (S3 level)	(Left Band) [R S38]	25	<ul style="list-style-type: none"> Set the SSG as; Frequency : 910.020 MHz Level : -1 dBμ 		
(Full scale)		(Right Band) [R SF8]	26			

■ SQUELCH ADJUSTMENT

• CONNECTION FOR SQUELCH ADJUSTMENT



ADJUSTMENT ITEM		OPERATION		VALUE	
SQUELCH	Connect a Terminator (50 Ω) to the antenna connector (J1).				
	127.020 MHz	(FM) [L SQ1]	1	Push the right band's [MAIN•BAND] key.	(Automatic adjustment)
		(FM) [R SQ1]	2		
		(FM-N) [L SQ1]	3		
		(FM-N) [R SQ1]	4		
	146.020 MHz	(FM) [L SQ2]	5		
		(FM) [R SQ2]	6		
		(FM-N) [L SQ2]	7		
		(FM-N) [R SQ2]	8		
	220.020 MHz	(FM) [L SQ3]	9		
		(FM-N) [L SQ3]	10		
	300.020 MHz	(FM) [L SQ4]	11		
		(FM-N) [L SQ4]	12		
	387.020 MHz	(FM) [L SQ5]	13		
		(FM) [R SQ5]	14		
		(FM-N) [L SQ5]	15		
		(FM-N) [R SQ5]	16		
	440.020 MHz	(FM) [L SQ6]	17		
		(FM) [R SQ6]	18		
		(FM-N) [L SQ6]	19		
(FM-N) [R SQ6]		20			

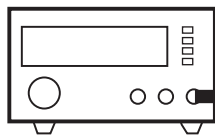
■ SQUELCH ADJUSTMENT (continued)

ADJUSTMENT ITEM				OPERATION	VALUE
SQUELCH	500.020 MHz	(FM) [L SQ7]	21	Push the [MAIN•BAND] key.	(Automatic adjustment)
		(FM) [R SQ7]	22		
		(FM-N) [L SQ7]	23		
		(FM-N) [R SQ7]	24		
	910.020 MHz	(FM) [R SQ8]	25		
		(FM-N) [R SQ8]	26		

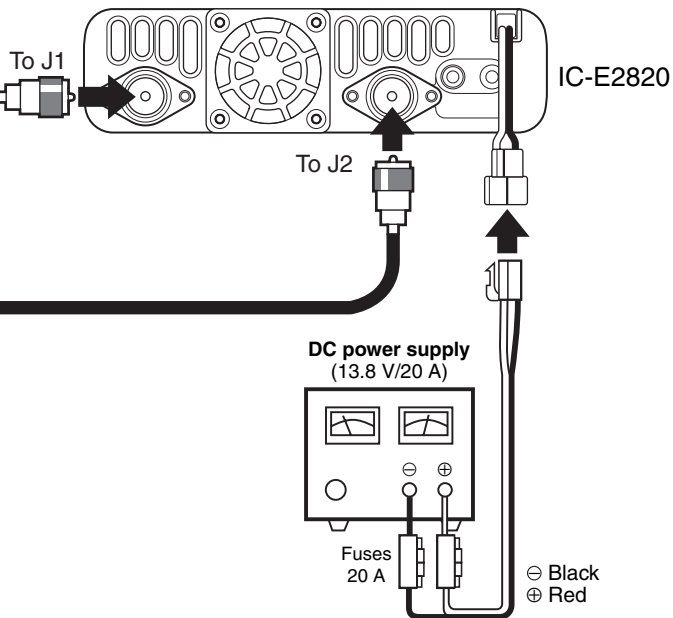
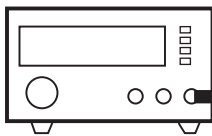
■ DIVERSITY ADJUSTMENT

• CONNECTION FOR DIVERSITY ADJUSTMENT

STANDARD SIGNAL GENERATOR (1)
(0.1–1 GHz)



STANDARD SIGNAL GENERATOR (2)
(0.1–1 GHz)



ADJUSTMENT ITEM				ADJUSTMENT CONDITIONS	OPERATION	VALUE
DIVERSITY	Connect a Standard Signal Generator to each antenna connector (J1 and J2) independently.					
	127.020 MHz (S0 level)	(Left Band) [L DL1]	1	Set the SSG as; Frequency : 127.020 MHz Level : -6 dB μ	Push the right band's [MAIN•BAND] key.	(Automatic adjustment)
		(Right Band) [R DL1]	2			
	(S3 level)	(Left Band) [L DM1]	3	Set the SSG as; Level : -1 dB μ		
		(Right Band) [R DM1]	4			
	(Full scale)	(Left Band) [L DH1]	5	Set the SSG as; Level : +15 dB μ		
(Right Band) [R DH1]		6				

■ DIVERSITY ADJUSTMENT (continued)

ADJUSTMENT ITEM				ADJUSTMENT CONDITIONS	OPERATION	VALUE
DIVERSITY	145.020 MHz (S0 level)	(Left Band) [L DL2]	1	• Set the SSG as; Frequency : 145.020 MHz Level : -6 dBμ	Push the right band's [MAIN• BAND] key.	(Automatic adjustment)
		(Right Band) [R DL2]	2			
	(S3 level)	(Left Band) [L DM2]	3	• Set the SSG as; Level : -1 dBμ		
		(Right Band) [R DM2]	4			
	(Full scale)	(Left Band) [L DH2]	5	• Set the SSG as; Level : +15 dBμ		
		(Right Band) [R DH2]	6			
	387.020 MHz (S0 level)	(Left Band) [L DL5]	1	• Set the SSG as; Frequency : 387.020 MHz Level : -6 dBμ		
		(Right Band) [R DL5]	2			
	(S3 level)	(Left Band) [L DM5]	3	• Set the SSG as; Level : -1 dBμ		
		(Right Band) [R DM5]	4			
	(Full scale)	(Left Band) [L DH5]	5	• Set the SSG as; Level : +15 dBμ		
		(Right Band) [R DH5]	6			
	435.020 MHz (S0 level)	(Left Band) [L DL6]	1	• Set the SSG as; Frequency : 435.020 MHz Level : -6 dBμ		
		(Right Band) [R DL6]	2			
	(S3 level)	(Left Band) [L DM6]	3	• Set the SSG as; Level : -1 dBμ		
		(Right Band) [R DM6]	4			
	(Full scale)	(Left Band) [L DH6]	5	• Set the SSG as; Level : +15 dBμ		
		(Right Band) [R DH6]	6			
	500.020 MHz (S0 level)	(Left Band) [L DL7]	1	• Set the SSG as; Frequency : 500.020 MHz Level : -6 dBμ		
		(Right Band) [R DL7]	2			
	(S3 level)	(Left Band) [L DM7]	3	• Set the SSG as; Level : -1 dBμ		
		(Right Band) [R DM7]	4			
	(Full scale)	(Left Band) [L DH7]	5	• Set the SSG as; Level : +15 dBμ		
		(Right Band) [R DH7]	6			

SECTION 6

PARTS LIST

[CONTROL UNIT]

REF NO.	ORDER NO.	DESCRIPTION	M.	H/V LOCATION
IC3	1180000421	S.IC TA78L05F (TE12R,F)	B	29.7/14.1
IC6	1180002371	S.REG R1111N321B-TR-F	B	42.4/18.8
IC9	1110005991	S.IC S-80945CNMC-G9F-T2G	B	35.8/18.5
IC10	1110006380	S.IC LM2904PWR	B	111.3/23.3
IC12	1130003831	S.IC TC7S04F (TE85R,F)	B	32.2/23.2
IC13	1140014060	S.IC M30620FCPCGP [EUR-01]	B	70.4/20.8
	1140014190	S.IC M3062MAP-434GP [EUR-02]	B	70.4/20.8
IC14	1130007111	S.IC TC7W04FU (TE12L,F)	B	60.3/40.1
Q1	1530003990	S.TR 2SC4738-BL (TE85L,F)	B	116.5/13.1
Q3	1520000201	S.TR 2SB798-T2-AZ DK	B	120.6/16.8
Q14	1530003990	S.TR 2SC4738-BL (TE85L,F)	B	98.2/9.9
Q15	1510000771	S.TR 2SA1586-GR (TE85R,F)	B	98.2/14
Q16	1530003990	S.TR 2SC4738-BL (TE85L,F)	B	43/47.5
Q17	1530003990	S.TR 2SC4738-BL (TE85L,F)	B	39.1/47.5
Q18	1530003990	S.TR 2SC4738-BL (TE85L,F)	B	55.4/47.5
Q19	1530003990	S.TR 2SC4738-BL (TE85L,F)	B	51.5/47.5
Q20	1530003990	S.TR 2SC4738-BL (TE85L,F)	B	67.8/47.5
Q21	1530003990	S.TR 2SC4738-BL (TE85L,F)	B	63.9/47.5
Q22	1530003990	S.TR 2SC4738-BL (TE85L,F)	B	80.2/47.5
Q23	1530003990	S.TR 2SC4738-BL (TE85L,F)	B	76.3/47.5
Q24	1530003990	S.TR 2SC4738-BL (TE85L,F)	B	92.6/47.5
Q25	1530003990	S.TR 2SC4738-BL (TE85L,F)	B	88.7/47.5
Q26	1530003990	S.TR 2SC4738-BL (TE85L,F)	B	105/47.5
Q27	1530003990	S.TR 2SC4738-BL (TE85L,F)	B	101.1/47.5
Q28	1530003990	S.TR 2SC4738-BL (TE85L,F)	B	117.4/47.5
Q29	1530003990	S.TR 2SC4738-BL (TE85L,F)	B	113.5/47.5
Q31	1530003990	S.TR 2SC4738-BL (TE85L,F)	B	35.4/21.5
D4	1790001140	S.ZEN MA8039-L (TX)	B	40.2/23.6
D8	1750000940	S.DIO ISS400 TE61	B	37/27.1
D9	1750000940	S.DIO ISS400 TE61	B	35.6/25.4
D10	1750000940	S.DIO ISS400 TE61	B	27.9/24.9
D11	1750000940	S.DIO ISS400 TE61	B	27.9/21.7
D12	1790001170	S.ZEN MA8036-M (TX)	B	120.5/12.5
D20	1730002670	S.ZEN MA8130-M (TX)	B	98.1/23.8
D21	1790001561	S.DIO 1SS372 (TE85R,F)	B	63.4/39.7
D22	1790001561	S.DIO 1SS372 (TE85R,F)	B	65.9/39.7
D23	1790001561	S.DIO 1SS372 (TE85R,F)	B	68.4/39.7
D24	1790001561	S.DIO 1SS372 (TE85R,F)	B	67.7/35.1
X1	6050012500	S.XTL CR-839 (FTX12.288M16SM)	B	54.6/12.5
L1	6200003640	S.COL MLF1608E 100K-T	B	59.5/45.6
R2	7030005050	S.RES ERJ2GEJ 103 X (10 k)	B	27.5/35.1
R4	7030005050	S.RES ERJ2GEJ 103 X (10 k)	B	116.3/35.3
R6	7030005050	S.RES ERJ2GEJ 103 X (10 k)	B	25.1/35.1
R8	7030005050	S.RES ERJ2GEJ 103 X (10 k)	B	118.7/35.3
R13	7030005050	S.RES ERJ2GEJ 103 X (10 k)	B	110.5/14.3
R14	7030005090	S.RES ERJ2GEJ 104 X (100 k)	B	14.6/32.9
R21	7030003480	S.RES ERJ3GEYJ 222 V (2.2 k)	B	113.4/14.3
R22	7030005170	S.RES ERJ2GEJ 474 X (470 k)	B	118.1/19.8
R24	7030005050	S.RES ERJ2GEJ 103 X (10 k)	B	25.5/24.7
R25	7030005050	S.RES ERJ2GEJ 103 X (10 k)	B	25.8/22.5
R41	7030005160	S.RES ERJ2GEJ 105 X (1 M)	B	58.4/8.6
R72	7410001220	S.ARY EXB28V103JX	B	53.2/18.7
R76	7030005090	S.RES ERJ2GEJ 104 X (100 k)	B	96/10.6
R77	7030005170	S.RES ERJ2GEJ 474 X (470 k)	B	98.2/11.6
R78	7030005050	S.RES ERJ2GEJ 103 X (10 k)	B	16.1/32.4
R83	7030005050	S.RES ERJ2GEJ 103 X (10 k)	B	30.7/18.6
R122	7030005050	S.RES ERJ2GEJ 103 X (10 k)	B	64.2/10.4
R123	7030005050	S.RES ERJ2GEJ 103 X (10 k)	B	63.3/10.4
R125	7030005050	S.RES ERJ2GEJ 103 X (10 k)	B	73.6/9.4
R126	7030005050	S.RES ERJ2GEJ 103 X (10 k)	B	72.7/9.4
R127	7030005050	S.RES ERJ2GEJ 103 X (10 k)	B	71.8/9.4
R128	7030005050	S.RES ERJ2GEJ 103 X (10 k)	B	68.7/8.8
R129	7030005050	S.RES ERJ2GEJ 103 X (10 k)	B	67.8/8.8
R130	7030005050	S.RES ERJ2GEJ 103 X (10 k)	B	66.9/7.5
R131	7030005050	S.RES ERJ2GEJ 103 X (10 k)	B	66/7.5
R132	7030005050	S.RES ERJ2GEJ 103 X (10 k)	B	65.1/8.8
R133	7030005050	S.RES ERJ2GEJ 103 X (10 k)	B	43.5/45.4
R134	7030005050	S.RES ERJ2GEJ 103 X (10 k)	B	39.6/45.4
R135	7030003420	S.RES ERJ3GEYJ 681 V (680)	B	42.3/44.9
R136	7030003420	S.RES ERJ3GEYJ 681 V (680)	B	38.4/44.9
R137	7030003390	S.RES ERJ3GEYJ 391 V (390)	B	114.5/8.4
R138	7030005010	S.RES ERJ2GEJ 681 X (680)	B	76.1/6.7
R139	7030005010	S.RES ERJ2GEJ 681 X (680)	B	48.9/8.1
R140	7030005050	S.RES ERJ2GEJ 103 X (10 k)	B	55.9/45.4
R141	7030005050	S.RES ERJ2GEJ 103 X (10 k)	B	52/45.4
R142	7030003420	S.RES ERJ3GEYJ 681 V (680)	B	54.7/44.9
R143	7030003420	S.RES ERJ3GEYJ 681 V (680)	B	50.8/44.9
R144	7030005050	S.RES ERJ2GEJ 103 X (10 k)	B	68.3/45.4
R145	7030005050	S.RES ERJ2GEJ 103 X (10 k)	B	64.4/45.4
R146	7030003420	S.RES ERJ3GEYJ 681 V (680)	B	67.1/44.9
R147	7030003420	S.RES ERJ3GEYJ 681 V (680)	B	62.3/44.9
R148	7030005050	S.RES ERJ2GEJ 103 X (10 k)	B	80.7/45.4
R149	7030005050	S.RES ERJ2GEJ 103 X (10 k)	B	76.8/45.4
R150	7030003420	S.RES ERJ3GEYJ 681 V (680)	B	79.5/44.9
R151	7030003420	S.RES ERJ3GEYJ 681 V (680)	B	75.6/44.9
R152	7030005050	S.RES ERJ2GEJ 103 X (10 k)	B	93.1/45.4
R153	7030005050	S.RES ERJ2GEJ 103 X (10 k)	B	89.2/45.4
R154	7030003420	S.RES ERJ3GEYJ 681 V (680)	B	91.9/44.9

[CONTROL UNIT]

REF NO.	ORDER NO.	DESCRIPTION	M.	H/V LOCATION
R155	7030003420	S.RES ERJ3GEYJ 681 V (680)	B	88/44.9
R156	7030005050	S.RES ERJ2GEJ 103 X (10 k)	B	105.5/45.4
R157	7030005050	S.RES ERJ2GEJ 103 X (10 k)	B	101.6/45.4
R158	7030003420	S.RES ERJ3GEYJ 681 V (680)	B	104.3/44.9
R159	7030003420	S.RES ERJ3GEYJ 681 V (680)	B	100.4/44.9
R160	7030005050	S.RES ERJ2GEJ 103 X (10 k)	B	117.9/45.4
R161	7030005050	S.RES ERJ2GEJ 103 X (10 k)	B	114/45.4
R162	7030003420	S.RES ERJ3GEYJ 681 V (680)	B	116.7/44.9
R163	7030003420	S.RES ERJ3GEYJ 681 V (680)	B	112.8/44.9
R168	7030005240	S.RES ERJ2GEJ 473 X (47 k)	B	34.7/23.7
R169	7030008290	S.RES ERJ2GEJ 183 X (18 k)	B	24/24.3
R170	7030005240	S.RES ERJ2GEJ 473 X (47 k)	B	101.5/20.6
R171	7030005040	S.RES ERJ2GEJ 472 X (47 k)	B	111.9/18.4
R172	7030005050	S.RES ERJ2GEJ 103 X (10 k)	B	111.4/16.6
R173	7030008010	S.RES ERJ2GEJ 123 X (12 k)	B	111.4/28.3
R174	7030005050	S.RES ERJ2GEJ 103 X (10 k)	B	111/30
R175	7030005240	S.RES ERJ2GEJ 473 X (47 k)	B	101.5/21.8
R176	7030004980	S.RES ERJ2GEJ 101 X (100)	B	115.7/40.6
R177	7030005050	S.RES ERJ2GEJ 103 X (10 k)	B	100/11.2
R178	7030005090	S.RES ERJ2GEJ 104 X (100 k)	B	98.2/8.1
R179	7030005240	S.RES ERJ2GEJ 473 X (47 k)	B	37.8/22
R180	7030005600	S.RES ERJ2GEJ 473 X (27 k)	B	36.5/23.6
R187	7030010040	S.RES ERJ2GEJ-JPW	B	63.2/13
R188	7030007570	S.RES ERJ2GEJ 122 X (1.2 k)	T	141.3/22.1
R189	7030007570	S.RES ERJ2GEJ 122 X (1.2 k)	T	9.8/30.8
R190	7410001130	S.ARY EXB28V102JX	B	80.2/25.3
R191	7410001130	S.ARY EXB28V102JX	B	82.2/18.5
R192	7410001130	S.ARY EXB28V102JX	B	63.5/30.2
R195	7030005120	S.RES ERJ2GEJ 102 X (1 k)	B	78/27.5
R196	7030005240	S.RES ERJ2GEJ 473 X (47 k)	B	62.9/14.9
R198	7030005240	S.RES ERJ2GEJ 473 X (47 k)	B	58.1/23
R199	7030005240	S.RES ERJ2GEJ 473 X (47 k)	B	58/25
R200	7030005240	S.RES ERJ2GEJ 473 X (47 k)	B	58/25.9
R201	7030005240	S.RES ERJ2GEJ 473 X (47 k)	B	58.3/26.8
R202	7030005240	S.RES ERJ2GEJ 473 X (47 k)	B	58.3/27.7
R203	7030005240	S.RES ERJ2GEJ 473 X (47 k)	B	60.9/27.3
R204	7030005240	S.RES ERJ2GEJ 473 X (47 k)	B	60.9/25.5
R205	7030005240	S.RES ERJ2GEJ 473 X (47 k)	B	61.3/30.6
R206	7030005240	S.RES ERJ2GEJ 473 X (47 k)	B	62.8/28.4
R207	7030005240	S.RES ERJ2GEJ 473 X (47 k)	B	92.2/12.6
R208	7410001140	S.ARY EXB28V104JX	B	98.6/26.8
R209	7410001140	S.ARY EXB28V104JX	B	101/28.9
R210	7410001140	S.ARY EXB28V104JX	B	81.7/16
R211	7410001140	S.ARY EXB28V104JX	B	81.4/13.3
R212	7030005240	S.RES ERJ2GEJ 473 X (47 k)	B	59.3/29.1
R213	7030010040	S.RES ERJ2GEJ-JPW	B	65.4/29.5
R216	7030005240	S.RES ERJ2GEJ 473 X (47 k)	B	54.9/26.7
R218	7030005120	S.RES ERJ2GEJ 102 X (1 k)	B	68.4/32.9
R219	7030005240	S.RES ERJ2GEJ 473 X (47 k)	B	59/43.4
R220	7030005120	S.RES ERJ2GEJ 102 X (1 k)	B	56.3/24.7
C1	4030016930	S.CER ECJ0EB1A104K	B	27.9/36.9
C2	4030016930	S.CER ECJ0EB1A104K	B	115.7/36.9
C3	4030016930	S.CER ECJ0EB1A104K	B	25.6/36.9
C4	4030016930	S.CER ECJ0EB1A104K	B	118.2/36.9
C5	4030017430	S.CER ECJ0EC1H101J	B	108.3/14.3
C7	4030017420	S.CER ECJ0EC1H470J	B	22.8/24.3
C8	4510008540	S.ELE EEE1CA100SR	B	111/17.0
C10	4030017420	S.CER ECJ0EC1H470J	B	24.2/22
C16	4030018910	S.CER C1608 JB 0J 475K-T	B	75/10.7
C24	4510008500	S.ELE EEE1CA101WP	B	38.5/11.7
C25	4030016790	S.CER ECJ0EB1C103K	B	28.4/10.6
C26	4030017040	S.CER ECJ0EB1A333K	B	38.6/18
C27	4030017460	S.CER ECJ0EB1E102K	B	28.4/17.6
C28	4510008800	S.ELE EEE1EA100SR	B	22.3/17
C29	4030017460	S.CER ECJ0EB1E102K	B	18.2/17.8
C30	4030017420	S.CER ECJ0EC1H470J	B	15.6/30.1
C31	4030017420	S.CER ECJ0EC1H470J	B	15.6/27.8
C34	4030016790	S.CER ECJ0EB1C103K	B	76.2/29.2
C42	4030017460	S.CER ECJ0EB1E102K	B	58.3/16.1
C43	4030017460	S.CER ECJ0EB1E102K	B	59.8/15.7
C44	4030017460	S.CER ECJ0EB1E102K	B	55.3/16.1
C45	4030017460	S.CER ECJ0EB1E102K	B	56.7/15.7
C46	4030016790	S.CER ECJ0EB1C103K	B	18.4/10.5
C47	4030016790	S.CER ECJ0EB1C103K	B	123.9/12.3
C48	4030016930	S.CER ECJ0EB1A104K	B	100.2/14.4
C50	4030016790	S.CER ECJ0EB1C103K	B	40.7/25.4
C51	4030016790	S.CER ECJ0EB1C103K	B	61.1/14.5
C54	4510008660	S.ELE EEE0JA220SR	B	48.5/18.9
C55	4510008660	S.ELE E		

[CONTROL UNIT]

REF NO.	ORDER NO.	DESCRIPTION	M.	H/V LOCATION
C86	4030016790	S.CER ECJ0EB1C103K	B	22.1/26
C87	4030016790	S.CER ECJ0EB1C103K	B	116.1/25.4
C95	4550006840	S.TAN TEESVA 1E 225M8R	B	52.3/24.5
C101	4550006840	S.TAN TEESVA 1E 225M8R	B	93/25.2
C102	4550006840	S.TAN TEESVA 1E 225M8R	B	88.3/25.2
C104	4030016790	S.CER ECJ0EB1C103K	B	118.1/21
C105	4030017460	S.CER ECJ0EB1E102K	B	33.4/19
C106	4030016930	S.CER ECJ0EB1A104K	B	76.2/28.3
C107	4030016930	S.CER ECJ0EB1A104K	B	62/14.5
C108	4030016790	S.CER ECJ0EB1C103K	B	60.9/28.5
C109	4030017660	S.CER ECJ0EC1H330J	B	61.4/8.3
C110	4030017660	S.CER ECJ0EC1H330J	B	61.4/9.2
C111	4550006840	S.TAN TEESVA 1E 225M8R	B	85.7/25.2
C113	4030017330	S.CER ECJ0EF1C104Z	B	63.4/41.5
C114	4030017330	S.CER ECJ0EF1C104Z	B	65.9/41.5
C115	4030017330	S.CER ECJ0EF1C104Z	B	68.4/41.5
C116	4030017330	S.CER ECJ0EF1C104Z	B	69.2/37.2
C117	4030017330	S.CER ECJ0EF1C104Z	B	62.5/37.8
C118	4030017330	S.CER ECJ0EF1C104Z	B	64.7/37.8
C119	4030017330	S.CER ECJ0EF1C104Z	B	68/37.8
C120	4030017330	S.CER ECJ0EF1C104Z	B	66/36.6
C121	4030017490	S.CER C1608 JB 1A 105K-T	B	59.5/44.4
C122	4030017490	S.CER C1608 JB 1A 105K-T	B	61.3/44.1
J3	6510025760	S.CNR B5B-ZR-SM4-TF (LF) (SN)	B	119.6/29.1
J4	6510025760	S.CNR B5B-ZR-SM4-TF (LF) (SN)	B	24.6/29.1
J5	6510025730	CNR HJC0187-010024		
J7	6510025830	S.CNR 04-6240-034-001-800	B	92.9/34.6
J8	6510025830	S.CNR 04-6240-034-001-800	B	48.1/34.6
J9	6510016381	S.CNR 52465-1071		
DS1	5030003040	LCD M6-0103TRM-5		
DS21	5040002930	S.LED SML-512MW T86	T	33/6.7
DS22	5040002930	S.LED SML-512MW T86	T	137.1/30
DS23	5040002930	S.LED SML-512MW T86	T	137.1/23.4
DS24	5040002930	S.LED SML-512MW T86	T	59/6.7
DS25	5040002930	S.LED SML-512MW T86	T	72/6.7
DS26	5040002930	S.LED SML-512MW T86	T	46/6.7
DS27	5040002930	S.LED SML-512MW T86	T	85/6.7
DS28	5040002930	S.LED SML-512MW T86	T	98/6.7
DS29	5040002930	S.LED SML-512MW T86	T	111/6.7
DS31	5040003260	S.LED FAMG1211F-TR	T	34.8/48
DS32	5040003260	S.LED FAMG1211F-TR	T	47.2/48
DS33	5040003260	S.LED FAMG1211F-TR	T	59.6/48
DS34	5040003260	S.LED FAMG1211F-TR	T	72/48
DS35	5040003260	S.LED FAMG1211F-TR	T	84.4/48
DS36	5040003260	S.LED FAMG1211F-TR	T	96.8/48
DS37	5040003260	S.LED FAMG1211F-TR	T	109.2/48
DS38	5040002930	S.LED SML-512MW T86	T	6.9/23.4
DS39	5040002930	S.LED SML-512MW T86	T	6.9/30
S5	2260001890	S.SW SKQDPA	T	33/3.2
S6	2260001890	S.SW SKQDPA	T	46/3.2
S7	2260001890	S.SW SKQDPA	T	98/3.2
S8	2260001890	S.SW SKQDPA	T	111/3.2
S10	2260001890	S.SW SKQDPA	T	137.1/26.7
S11	2260001890	S.SW SKQDPA	T	59/3.2
S12	2260001890	S.SW SKQDPA	T	72/3.2
S13	2260001890	S.SW SKQDPA	T	85/3.2
S14	2260001890	S.SW SKQDPA	T	6.9/26.7
S15	2250000570	ECR SW-169 (EC09E1524405)		
S16	2250000570	ECR SW-169 (EC09E1524405)		
EP9	6910012350	S.BEA MMZ1608Y 102BT	B	16/17.3
EP10	6910012350	S.BEA MMZ1608Y 102BT	B	15.3/26.6
EP11	6910012350	S.BEA MMZ1608Y 102BT	B	15.3/29
EP12	6910012350	S.BEA MMZ1608Y 102BT	B	15.3/31.3

[MAIN UNIT]

REF NO.	ORDER NO.	DESCRIPTION	M.	H/V LOCATION
IC1	1110004310	S.IC M62352GP 75EC	T	25/108.5
IC2	1150002121	IC S-AU82L (I,Q)		
IC3	1150002161	IC S-AV32 (I2 Q)		
IC4	1110004050	S.IC NJM3404AV-TE1-#FMZB	B	39.8/107.5
IC8	1190000350	S.IC M62363FP-650C	T	52.5/24.3
IC9	1130007021	S.IC TC7S66FU (TE85L,F)	B	73.8/31.2
IC11	1130008511	S.IC TC7W53FU (TE12L,F)	T	107.5/88.7
IC12	1130008511	S.IC TC7W53FU (TE12L,F)	T	101.2/88.9
IC13	1130008511	S.IC TC7W53FU (TE12L,F)	B	58/39.7
IC14	1140005991	S.IC MB15A02PFV1-G-BND-ERE1	T	25.3/47.3
IC15	1110003201	S.IC TA31136FNG (EL)	B	57.3/64.1
IC16	1130008511	S.IC TC7W53FU (TE12L,F)	B	12.4/39
IC17	1130007021	S.IC TC7S66FU (TE85L,F)	T	28.5/39.5
IC18	1110003201	S.IC TA31136FNG (EL)	B	11.8/63.3
IC19	1190002051	S.IC SPM5001-TL-E	T	64.3/90.3
IC20	1190002051	S.IC SPM5001-TL-E	T	14.9/90.5
IC21	1180001071	S.IC TA7805F (TE16L,Q)	B	107.1/136
IC22	1140012950	S.IC 24LC512T-I/SM	B	112.6/98.2
IC23	1110005991	S.IC S-80945CNMC-G9F-T2G	T	121/74.5
IC24	1180001251	S.IC TA7808F (TE16L,Q)	B	100.1/136
IC25	1140013520	S.IC HD64F2506FC26DV	B	114.5/73.1
IC26	1110006490	S.IC LMV321IDCKR	T	116/65.9
IC28	1130007371	S.IC TA75S558F (TE85L,F)	T	22.1/27
IC29	1130008511	S.IC TC7W53FU (TE12L,F)	B	28.6/27
IC30	1130011770	S.IC CD4066BPWPR	T	31.8/24.7
IC31	1130011770	S.IC CD4066BPWPR	T	70/6.3
IC32	1110005310	S.IC AN6123MS	B	34.3/21.8
IC33	1130011860	S.IC SM6451BT-G-E2	T	110.3/105.3
IC34	1130008511	S.IC TC7W53FU (TE12L,F)	T	101.6/34.1
IC35	1130011770	S.IC CD4066BPWPR	B	70/8.2
IC36	1130013010	S.IC SN74AHC1G08DCK3	B	120.3/104.3
IC37	1130008511	S.IC TC7W53FU (TE12L,F)	B	114.2/30.2
IC38	1110002541	IC LA4445-E		
IC41	1140005991	S.IC MB15A02PFV1-G-BND-ERE1	T	69.9/47.3
IC42	1130007021	S.IC TC7S66FU (TE85L,F)	T	74.8/37.5
IC43	1110004460	S.IC uPB1509GV-E1	T	77.6/57.8
IC44	1110006870	S.IC uPC2709TB-E3	T	90.2/57
IC45	1110006870	S.IC uPC2709TB-E3	T	42.4/56.2
IC46	1120003020	S.IC MAX3221IPWR	T	94.4/9.9
IC48	1110006350	S.IC LM2902PWR	T	65.8/18
IC49	1110006740	S.IC LMV3581PWR	B	104.7/32.5
IC50	1110006490	S.IC LMV321IDCKR	T	100.1/28.3
IC51	1130008511	S.IC TC7W53FU (TE12L,F)	T	67.9/22.7
IC52	1130008511	S.IC TC7W53FU (TE12L,F)	B	35.1/27.8
IC53	1110006490	S.IC LMV321IDCKR	B	58.1/26.9
IC54	1110004310	S.IC M62352GP 75EC	T	96.5/96.9
IC55	1190002500	S.IC ZXCT1022E5TA	T	111.9/122.6
IC56	1130012960	S.IC BU8872FS-E2	B	119.3/53.4
IC57	1130008511	S.IC TC7W53FU (TE12L,F)	T	108.4/54.7
IC58	1130008511	S.IC TC7W53FU (TE12L,F)	T	115.7/54
IC59	1130004201	S.IC TC4S66F (TE85R,F)	T	111.8/100.7
IC60	1130008511	S.IC TC7W53FU (TE12L,F)	B	65/34.4
IC61	1130008511	S.IC TC7W53FU (TE12L,F)	B	21.4/33.8
IC62	1110006870	S.IC uPC2709TB-E3	T	32.7/59.8
IC63	1130007021	S.IC TC7S66FU (TE85L,F)	B	47.1/32.4
Q1	1590001650	S.TR XP4601 (TX)	B	100.8/99.4
Q2	1590001650	S.TR XP4601 (TX)	T	7.1/117
Q3	1590003240	S.TR UNR9114J-(TX)	B	89.2/102.2
Q4	1590003240	S.TR UNR9114J-(TX)	T	23.6/103.1
Q5	1590003240	S.TR UNR9114J-(TX)	B	89.1/100.1
Q6	1590003240	S.TR UNR9114J-(TX)	B	89.5/104.2
Q7	1590003240	S.TR UNR9114J-(TX)	B	88.6/108.2
Q8	1590003240	S.TR UNR9114J-(TX)	B	99.9/94.5
Q9	1590003240	S.TR UNR9114J-(TX)	T	25.7/103.1
Q10	1590003240	S.TR UNR9114J-(TX)	B	89.6/106.2
Q11	1590003240	S.TR UNR9114J-(TX)	T	6/121.5
Q12	1590003290	S.TR UNR9213J-(TX)	T	88.4/75
Q13	1590003290	S.TR UNR9213J-(TX)	T	46.5/81.3
Q14	1530003990	S.TR 2SC4738-BL (TE85L,F)	T	20.9/127.8
Q15	1510000581	S.TR 2SA1362-GR (TE85R,F)	T	83.9/76.2
Q16	1530003990	S.TR 2SC4738-BL (TE85L,F)	T	103.2/104.4
Q17	1510000581	S.TR 2SA1362-GR (TE85R,F)	T	46.1/76.2
Q18	1530003581	S.TR 2SC5231C8-TL-E	T	10.8/109.8
Q19	1580000800	S.FET 3SK324UG-TL-E	T	15.7/112.8
Q20	1580000800	S.FET 3SK324UG-TL-E	T	86/107.4
Q21	1530003990	S.TR 2SC4738-BL (TE85L,F)	T	45.7/123.3
Q22	1530003231	S.TR 2SC5085-Y (TE85R,F)	B	42.6/72
Q23	1530003781	S.TR 2SC5624VH-TL-E	T	11.2/124.4
Q25	1530002680	S.TR 2SC3357-T1	B	87.5/74.9
Q26	1530002680	S.TR 2SC3357-T1	B	43.1/79.7
Q27	1530003291	S.TR 2SC4703-T1 SE	B	87.5/80.9
Q28	1580000800	S.FET 3SK324UG-TL-E	T	28/130.5
Q29	1580000800	S.FET 3SK324UG-TL-E	T	101.2/115.5
Q30	1530003990	S.TR 2SC4738-BL (TE85L,F)	T	26.7/127.9
Q31	1590003230	S.TR UNR9113J-(TX)	B	39.2/104.4
Q32	1580000790	S.FET 3SK318YB-TL-E	T	38.5/105.7
Q33	1580000790	S.FET 3SK318YB-TL-E	T	70.4/109.6
Q34	1530003781	S.TR 2SC5624VH-TL-E	T	54.2/105.5
Q35	1530003781	S.TR 2SC5624VH-TL-E	T	60.7/105.5
Q36	1590003230	S.TR UNR9113J-(TX)	B	43.3/104.3
Q37	1580000790	S.FET 3SK318YB-TL-E	T	57.4/137.1
Q38	1530003990	S.TR 2SC4738-BL (TE85L,F)	T	63.5/114.6
Q39	1580000790	S.FET 3SK318YB-TL-E	T	82.4/120.1
Q40	1530003990	S.TR 2SC4738-BL (TE85L,F)	T	35.5/144.8
Q41	1590001650	S.TR XP4601 (TX)	T	112.6/83.1
Q42	1590001650	S.TR XP4601 (TX)	B	101.8/90.7
Q43	1590003260	S.TR UNR911NJ-(TX)	T	60.7/43.3
Q44	1590003260	S.TR UNR911NJ-(TX)	T	6/90.9
Q45	1590003240	S.TR UNR9114J-(TX)	T	6/37
Q46	1590003240	S.TR UNR9114J-(TX)	T	57.2/38.9
Q47	1590001190	S.TR XP6501-(TX) .AB	T	115.4/94.5
Q48	1590001190	S.TR XP6501-(TX) .AB	T	107.9/95.9

M.=Mounted side (T: Mounted on the Top side, B: Mounted on the Bottom side) S.=Surface mount

[MAIN UNIT]

REF NO.	ORDER NO.	DESCRIPTION	M.	H/V LOCATION
Q49	1590003290	S.TR UNR9213J-(TX)	T	102.9/93.5
Q50	1590003290	S.TR UNR9213J-(TX)	T	113.8/89.6
Q52	1530003990	S.TR 2SC4738-BL (TE85L,F)	B	25.4/47.8
Q53	1590003230	S.TR UNR9113J-(TX)	T	57/70.6
Q54	1590003270	S.TR UNR9210J-(TX)	T	59/71.2
Q55	1590001190	S.TR XP6501-(TX).AB	B	52.3/40.5
Q56	1590003230	S.TR UNR9113J-(TX)	T	54.9/70.5
Q57	1590001190	S.TR XP6501-(TX).AB	T	53.7/43
Q58	1530003990	S.TR 2SC4738-BL (TE85L,F)	B	82.9/46.3
Q59	1590003290	S.TR UNR9213J-(TX)	T	55/68.4
Q60	1530003321	S.TR 2SC5108-Y (TE85R,F)	T	37.2/48.9
Q61	1510000771	S.TR 2SA1586-GR (TE85R,F)	T	25.1/41.5
Q62	1530002691	S.TR 2SC4116-GR (TE85R,F)	T	23.5/39.1
Q63	1590001190	S.TR XP6501-(TX).AB	B	6/39.8
Q64	1590003290	S.TR UNR9213J-(TX)	B	40.6/38.1
Q65	1590001650	S.TR XP4601 (TX)	B	39.3/41
Q66	1530003221	S.TR 2SC4406-4-TL-E	B	63.3/66.2
Q67	1590001190	S.TR XP6501-(TX).AB	T	7.1/42.1
Q68	1590001650	S.TR XP4601 (TX)	B	39.3/44.6
Q69	1590003230	S.TR UNR9113J-(TX)	T	12/70
Q70	1590003270	S.TR UNR9210J-(TX)	T	14.2/70
Q71	1590003230	S.TR UNR9113J-(TX)	T	9.7/69.9
Q72	1530003581	S.TR 2SC5231C8-TL-E	T	38.4/42.6
Q73	1530003581	S.TR 2SC5231C8-TL-E	T	44.7/38.4
Q74	1530003581	S.TR 2SC5231C8-TL-E	T	41.4/43.2
Q75	1530003221	S.TR 2SC4406-4-TL-E	B	18.5/66.2
Q76	1530003581	S.TR 2SC5231C8-TL-E	T	45.8/42.4
Q79	1590003290	S.TR UNR9213J-(TX)	T	41.2/66.6
Q81	1520000460	S.TR 2SB1132 T100 R	B	101.6/127
Q82	1590003450	S.TR UNR9214J-(TX)	B	106.5/104.3
Q83	1510000671	S.TR 2SA1588-GR (TE85R, F)	B	103.9/103
Q84	1510000671	S.TR 2SA1588-GR (TE85R, F)	B	99.9/104.7
Q86	1530003990	S.TR 2SC4738-BL (TE85L,F)	B	6.7/31.4
Q87	1530003990	S.TR 2SC4738-BL (TE85L,F)	T	15.3/30.5
Q88	1590003290	S.TR UNR9213J-(TX)	T	21.1/21.7
Q90	1590003290	S.TR UNR9213J-(TX)	T	31.5/20.9
Q91	1590003290	S.TR UNR9213J-(TX)	T	64.4/8.5
Q92	1590003230	S.TR UNR9113J-(TX)	T	44.3/10.8
Q93	1590003290	S.TR UNR9213J-(TX)	T	58.6/9.4
Q94	1510000581	S.TR 2SA1362-GR (TE85R,F)	T	115.4/38.4
Q95	1590003290	S.TR UNR9213J-(TX)	B	70/12
Q96	1520000201	S.TR 2SB798-T2-AZ DK	T	124.5/36.5
Q97	1530003990	S.TR 2SC4738-BL (TE85L,F)	T	120.9/38.6
Q98	1590003270	S.TR UNR9210J-(TX)	B	117.1/99.9
Q99	1590002270	S.TR UMG9NTR	T	75.5/22.3
Q100	1590003290	S.TR UNR9213J-(TX)	T	113.3/71.4
Q101	1530003091	S.TR 2SC4213-B (TE85R,F)	T	128/111.5
Q102	1530003091	S.TR 2SC4213-B (TE85R,F)	T	123/109.1
Q103	1530003091	S.TR 2SC4213-B (TE85R,F)	T	125.5/109.1
Q104	1590003260	S.TR UNR911NJ-(TX)	B	74/44.4
Q105	1530003990	S.TR 2SC4738-BL (TE85L,F)	B	70/47.4
Q106	1590003260	S.TR UNR911NJ-(TX)	T	82.2/56.4
Q109	1590003290	S.TR UNR9213J-(TX)	T	78.7/43.8
Q110	1590003300	S.TR UNR921NJ-(TX)	T	89.1/35.5
Q111	1530003581	S.TR 2SC5231C8-TL-E	T	88.5/42.4
Q112	1530003321	S.TR 2SC5108-Y (TE85R,F)	T	82.1/49.1
Q113	1530003581	S.TR 2SC5231C8-TL-E	T	90.4/46.9
Q115	1590003290	S.TR UNR9213J-(TX)	T	85.8/55.7
Q116	1530003321	S.TR 2SC5108-Y (TE85R,F)	T	77.4/63
Q117	1590003290	S.TR UNR9213J-(TX)	T	9.7/67.7
Q118	1590003290	S.TR UNR9213J-(TX)	T	116.6/42.8
Q119	1560000811	S.FET 2SK1069-4-TL-E	B	71.6/36
Q120	1560000811	S.FET 2SK1069-4-TL-E	B	29.3/34.4
Q121	1590003290	S.TR UNR9213J-(TX)	T	76.8/39.4
Q122	1590003290	S.TR UNR9213J-(TX)	B	30.6/41.7
Q123	1520000450	S.TR 2SB1132 T100 Q	T	49.8/121.7
D1	1790001240	S.DIO MA2S728-(TX)	T	12.7/117.1
D2	1790001240	S.DIO MA2S728-(TX)	T	89.8/108.9
D3	1790001240	S.DIO MA2S728-(TX)	T	70.5/113.1
D4	1790001240	S.DIO MA2S728-(TX)	T	37/108.6
D5	1790001240	S.DIO MA2S728-(TX)	T	57/106.8
D6	1790001240	S.DIO MA2S728-(TX)	T	63.5/106.8
D7	1790001260	S.DIO MA2S077-(TX)	T	14.1/97
D8	1790001260	S.DIO MA2S077-(TX)	T	71.2/98.4
D9	1790001260	S.DIO MA2S077-(TX)	T	10.4/97
D10	1790001621	S.DIO 1SV308 (TPL3,F)	T	16.7/100.8
D11	1790001621	S.DIO 1SV308 (TPL3,F)	T	75.7/98.4
D12	1750000721	S.VCP HVC375BTRF-E	T	14.9/102.5
D13	1750000721	S.VCP HVC375BTRF-E	T	76.4/101.5
D14	1750000721	S.VCP HVC375BTRF-E	T	14.9/105.2
D15	1750000721	S.VCP HVC375BTRF-E	T	78.4/103.3
D16	1790001621	S.DIO 1SV308 (TPL3,F)	T	16.7/108.3
D17	1790001621	S.DIO 1SV308 (TPL3,F)	T	82.2/104.8
D18	1790001621	S.DIO 1SV308 (TPL3,F)	T	18.3/116.8
D19	1790001621	S.DIO 1SV308 (TPL3,F)	T	90.8/104.5
D20	1750000721	S.VCP HVC375BTRF-E	T	16.1/119.4
D21	1750000721	S.VCP HVC375BTRF-E	T	94.2/106.2
D22	1790001621	S.DIO 1SV308 (TPL3,F)	T	11.8/130.1
D23	1750000721	S.VCP HVC375BTRF-E	T	16.1/120.6
D24	1750000721	S.VCP HVC375BTRF-E	T	96.8/106.2
D25	1790001250	S.DIO MA2S111-(TX)	B	38.1/77.6
D26	1790001621	S.DIO 1SV308 (TPL3,F)	T	17.4/123.1
D27	1790001621	S.DIO 1SV308 (TPL3,F)	T	99.6/103.7
D28	1720000241	S.DIO 1SV172 (TE85R,F)	T	100.2/109.1
D29	1790001250	S.DIO MA2S111-(TX)	B	82.8/78.4
D30	1720000241	S.DIO 1SV172 (TE85R,F)	T	15.2/127
D31	1750000520	S.DIO DAN222TL	B	41.8/88.2
D32	1790001250	S.DIO MA2S111-(TX)	T	23.3/127.5
D35	1790001260	S.DIO MA2S077-(TX)	T	21.2/98.8
D36	1790001260	S.DIO MA2S077-(TX)	T	53.6/96.8
D37	1790001260	S.DIO MA2S077-(TX)	T	60/96.8
D38	1790001260	S.DIO MA2S077-(TX)	T	67.3/96.8

[MAIN UNIT]

REF NO.	ORDER NO.	DESCRIPTION	M.	H/V LOCATION
D39	1790000980	S.DIO MA742 (TX)	B	76.8/133.6
D40	1750000711	S.VCP HVC350BTRF-E	T	30/101.3
D41	1750000711	S.VCP HVC350BTRF-E	T	67.8/103.5
D42	1790000980	S.DIO MA742 (TX)	B	41/113.9
D43	1750000711	S.VCP HVC350BTRF-E	T	32.7/101.3
D44	1750000711	S.VCP HVC350BTRF-E	T	67.8/104.8
D45	1750000711	S.VCP HVC350BTRF-E	T	56.8/102.5
D46	1750000721	S.VCP HVC375BTRF-E	T	63.3/102.5
D47	1790000980	S.DIO MA742 (TX)	B	74.9/139.4
D48	1790001250	S.DIO MA2S111-(TX)	T	33.9/136.3
D49	1790001250	S.DIO MA2S111-(TX)	T	35.1/136.3
D50	1750000721	S.VCP HVC375BTRF-E	T	62.1/109
D51	1750000711	S.VCP HVC350BTRF-E	T	55.6/109
D52	1790000980	S.DIO MA742 (TX)	B	30.2/133.8
D53	1790001260	S.DIO MA2S077-(TX)	T	40.3/137.9
D54	1750000711	S.VCP HVC350BTRF-E	T	45.9/110.1
D55	1750000711	S.VCP HVC350BTRF-E	T	74.1/116.8
D56	1790001260	S.DIO MA2S077-(TX)	T	55.6/111.5
D57	1790001260	S.DIO MA2S077-(TX)	T	58.6/111.5
D58	1750000711	S.VCP HVC350BTRF-E	T	48.6/110.1
D59	1750001360	S.DIO L709CER (9401)	B	78.7/150.1
D60	1750000711	S.VCP HVC350BTRF-E	T	74.1/118.1
D61	1750001360	S.DIO L709CER (9401)	B	32.5/143.2
D62	1750001360	S.DIO L709CER (9401)	B	42.6/138.2
D63	1790001250	S.DIO MA2S111-(TX)	T	106.5/119.7
D64	1790001250	S.DIO MA2S111-(TX)	T	90.6/118.6
D65	1790001260	S.DIO MA2S077-(TX)	T	94.8/122.3
D66	1790001250	S.DIO MA2S111-(TX)	T	108.1/117.8
D67	1790001250	S.DIO MA2S111-(TX)	T	91.9/118.6
D68	1720000241	S.DIO 1SV172 (TE85R,F)	T	73.7/125.4
D69	1790001260	S.DIO MA2S077-(TX)	T	108.4/123.2
D70	1720000241	S.DIO 1SV172 (TE85R,F)	T	54.9/119.7
D71	1790001260	S.DIO MA2S077-(TX)	T	93.7/125.7
D72	1790001621	S.DIO 1SV308 (TPL3,F)	T	100.6/128.1
D73	1790001260	S.DIO MA2S077-(TX)	T	108/128.9
D74	1790001621	S.DIO 1SV308 (TPL3,F)	T	106.2/132.4
D75	1750001360	S.DIO L709CER (9401)	B	69.5/145.4
D76	1790001250	S.DIO MA2S111-(TX)	T	65.9/115
D77	1790001260	S.DIO MA2S077-(TX)	T	66.8/140.6
D78	1790001250	S.DIO MA2S111-(TX)	T	62.2/142.3
D79	1790001250	S.DIO MA2S111-(TX)	T	63.4/142.3
D80	1790001250	S.DIO MA2S111-(TX)	T	33.6/144.7
D81	1790001250	S.DIO MA2S111-(TX)	B	29.7/49.9
D82	1790001250	S.DIO MA2S111-(TX)	T	54.2/57.9
D83	1790001250	S.DIO MA2S111-(TX)	T	54.2/50.4
D84	1790001250	S.DIO MA2S111-(TX)	T	61.2/57.8
D85	1790001250	S.DIO MA2S111-(TX)	T	61.2/50.3
D86	1750000370	S.DIO DA221 TL	T	22.5/43.2
D87	1720000791	S.VCP HVC321B1TRF-E	T	35.6/37
D88	1750000370	S.DIO DA221 TL	B	65.5/68.4
D89	1750000831	S.VCP HVC362TRF-E	T	31.5/41.8
D90	1750000831	S.VCP HVC362TRF-E	T	33.1/40.1
D91	1750000721	S.VCP HVC375BTRF-E	T	38.9/35.6
D92	1750000711	S.VCP HVC350BTRF-E	T	38.9/34.4
D93	1790001250	S.DIO MA2S111-(TX)	T	8.9/57.1
D94	1790001250	S.DIO MA2S111-(TX)	T	8.1/49.5
D95	1790001250	S.DIO MA2S111-(TX)	T	16.3/56.9
D96	1790001250	S.DIO MA2S111-(TX)	T	16.3/49.4
D97	1790001250	S.DIO MA2S111-(TX)	T	43.2/41.6
D100	1750000370	S.DIO DA221 TL	B	20.7/68.4
D101	1790001260	S.DIO MA2S077-(TX)	T	37.1/57.1
D102	1790001260	S.DIO MA2S077-(TX)	T	44.3/48.5
D103	1790001621	S.DIO 1SV308 (TPL3,F)	T	44/61.2
D104	1790001260	S.DIO MA2S077-(TX)	T	40.2/57.9
D106	1790001260	S.DIO MA2S077-(TX)	T	33.6/69.9
D107	1790001260	S.DIO MA2S077-(TX)	T	37.3/69.9
D108	1790001260	S.DIO MA2S077-(TX)	T	38.5/69.9
D109	1790001250	S.DIO MA2S111-(TX)	T	41.9/63.4
D112	1750000520	S.DIO DAN222TL	B	85.9/102.2
D113	1750000520	S.DIO DAN222TL	B	85.9/104.2
D116	1790001250	S.DIO MA2S111-(TX)	T	8.2/121.7
D117	1730000521	ZEN RD20E-AZ B2		
D118	1790000700	DIO DSA3A1		
D119	1790001250	S.DIO MA2S111-(TX)	B	104.2/105
D120	1790001250	S.DIO MA2S111-(TX)	B	105.7/106.3
D121	1790001250	S.DIO MA2S111-(TX)	B	10.4/29.7
D122	1730002340	S.ZEN MA8047-M (TX)	T	119.2/64
D124	1790001250	S.DIO MA2S111-(TX)	T	104/76.2
D125	1790001250	S.DIO MA2S111-(TX)	T	104/77.4
D126	1790001250	S.DIO MA2S111-(TX)	T	104/78.6
D127	1790001250	S.DIO MA2S111-(TX)	T	104/79.8
D128	1790001250	S.DIO MA2S111-(TX)	T	106.5/76.2
D129	1790001250	S.DIO MA2S111-(TX)	T	106.5/77.4
D133	1790001250	S.DIO MA2S111-(TX)	T	104/72.6
D134	1790001250	S.DIO MA2S111-(TX)	T	104/73.8
D135	1790001250	S.DIO MA2S111-(TX)	T	104/75
D136	1790001250	S.DIO MA2S111-(TX)	T	106.5/71.4
D140	1750000370	S.DIO DA221 TL	T	50/12.3
D141	1790001250	S.DIO MA2S111-(TX)	T	120.9/40.3
D142	1790000980	S.DIO MA742 (TX)	B	117.7/102.5
D143	1790001250	S.DIO MA2S111-(TX)	B	74.6/50.8
D145	1720000791	S.VCP HVC321B1TRF-E	T	83/38.9

[MAIN UNIT]

REF NO.	ORDER NO.	DESCRIPTION	M.	H/V LOCATION
D160	1790001260	S.DIO MA2S077-(TX)	T	43/48.5
D161	1750000771	S.VCP HVC376BTRF-E	B	123.3/87.8
D162	1750000771	S.VCP HVC376BTRF-E	B	122.3/89.6
D164	1790001250	S.DIO MA2S111-(TX)	B	114.7/88.1
D165	1750000940	S.DIO ISS400 TE61	T	123.9/27.3
D166	1750000940	S.DIO ISS400 TE61	T	125.1/27.3
D167	1750000940	S.DIO ISS400 TE61	T	122.7/26.4
D168	1750000940	S.DIO ISS400 TE61	T	120.6/26.4
D169	1790001520	S.ZEN MA8075-L (TX)	T	47.3/125.2
F11	2020002390	CER LT450HW <JJE>		
F12	2020002250	CER LT450EW <JJE>		
F13	2020002390	CER LT450HW <JJE>		
F14	2020002250	CER LT450EW <JJE>		
F15	2030000590	S.MLH FL-408 (38.850 MHz)	B	71/69.6
F16	2030000600	S.MLH FL-409 (46.350 MHz)	B	26.1/68.9
X1	6050011940	S.XTL CR-783 (15.3 MHz)	B	23.3/43.4
X2	6070000290	DCR JTB450C24 <JJE>		
X3	6070000290	DCR JTB450C24 <JJE>		
X4	6050012530	S.XTL CR-841 (SMD49/19.6608 MHz)	B	126.6/88.1
X5	6050012450	S.XTL CR-833 (12.800 MHz)	B	67.9/43.4
X6	6050012480	S.XTL CR-838 (SMD-49/4.194304 MHz)	B	126.6/54.7
L1	6200005721	S.COL ELJRE 33NGFA	T	16/97.8
L2	6200005721	S.COL ELJRE 33NGFA	T	72.4/98.4
L3	6200006981	S.COL ELJRE R10GFA	T	11.1/98.8
L4	6200009220	S.COL LQW18AN15NG00D	T	14.9/101.3
L5	6200009220	S.COL LQW18AN15NG00D	T	75.6/100.6
L6	6200003550	S.COL MLF1608A 4R7K-T	T	17.4/99
L7	6200003550	S.COL MLF1608A 4R7K-T	T	75.6/97.2
L8	6200010130	S.COL LQW18AN6N8C00D	T	11.5/108.1
L9	6200005741	S.COL ELJRE 47NGFA	B	89.4/67
L10	6200009220	S.COL LQW18AN15NG00D	T	14.9/106.4
L11	6200005741	S.COL ELJRE 47NGFA	B	91.3/67.8
L12	6200009220	S.COL LQW18AN15NG00D	T	79.2/104.2
L13	6200003550	S.COL MLF1608A 4R7K-T	T	18.5/107.6
L15	6200003550	S.COL MLF1608A 4R7K-T	T	81.2/104.1
L16	6200009070	S.COL LQW18AN18NG00D	T	14.9/110.1
L17	6200005671	S.COL ELJRE 12NGFA	T	10.4/113.1
L18	6200009070	S.COL LQW18AN18NG00D	T	82.4/107.5
L19	6200005731	S.COL ELJRE 39NGFA	B	43.6/67.5
L20	6200010130	S.COL LQW18AN6N8C00D	T	11.3/122.5
L21	6200003550	S.COL MLF1608A 4R7K-T	T	19/115
L22	6200005721	S.COL ELJRE 33NGFA	B	43.4/74.9
L23	6200012520	S.COL 0.26-1.0-5TL 12N	T	16.4/117.7
L24	6200003550	S.COL MLF1608A 4R7K-T	T	89.6/104.5
L25	6200005691	S.COL ELJRE 18NGFA	B	85.4/71.7
L26	6200005691	S.COL ELJRE 18NGFA	B	38.3/74.9
L27	6200012520	S.COL 0.26-1.0-5TL 12N	T	92.5/106.1
L28	6200005741	S.COL ELJRE 47NGFA	B	83.6/75.9
L29	6200005661	S.COL ELJRE 10NGFA	B	39.9/77.5
L30	6200010130	S.COL LQW18AN6N8C00D	T	11.8/131.4
L31	6200012520	S.COL 0.26-1.0-5TL 12N	T	15.4/122.3
L32	6200003550	S.COL MLF1608A 4R7K-T	T	16.9/124.9
L33	6200012520	S.COL 0.26-1.0-5TL 12N	T	98.5/106.3
L34	6200003550	S.COL MLF1608A 4R7K-T	T	100.8/103.7
L35	6200005701	S.COL ELJRE 22NGFA	B	38.1/79.7
L36	6200005681	S.COL ELJRE 15NGFA	B	40.7/82.9
L37	6200005731	S.COL ELJRE 39NGFA	B	82.8/80.5
L38	6200011580	S.COL LQW18AN33NG00D	T	26.1/130.4
L39	6200011580	S.COL LQW18AN33NG00D	T	101.1/117.4
L40	6200011660	S.COL LQW18ANR15G00D	T	31.7/134.2
L41	6200011660	S.COL LQW18ANR15G00D	T	104/113.5
L42	6200011770	S.COL LQW18ANR10G00D	T	30.8/137.1
L43	6200011770	S.COL LQW18ANR10G00D	T	105.7/117.9
L44	6200010910	S.COL LQW18AN56NG00D	T	106.9/117.9
L45	6200011580	S.COL LQW18AN33NG00D	T	32.7/136.4
L46	6200010060	S.COL AS080647-56N	B	88.7/128.9
L47	6200009250	S.COL LQW18ANR22G00D	T	24/99.6
L48	6200005721	S.COL ELJRE 33NGFA	T	55.4/97.6
L49	6200005701	S.COL ELJRE 22NGFA	T	61.9/97.6
L50	6200010040	S.COL AS100340-10N	B	40.3/125
L51	6200012050	S.COL LQW18AN24NG00D	T	66.1/98.4
L52	6200011650	S.COL LQW18AN68NG00D	T	28.2/100.5
L53	6200011590	S.COL LQW18AN39NG00D	T	27.4/102.4
L54	6200011650	S.COL LQW18AN68NG00D	T	66.1/101.7
L55	6200011590	S.COL LQW18AN39NG00D	T	68/100.9
L56	6200010060	S.COL AS080647-56N	B	86.1/137.8
L57	6200011770	S.COL LQW18ANR10G00D	T	36.3/104.1
L58	6200011580	S.COL LQW18AN33NG00D	T	54.3/103.6
L59	6200011770	S.COL LQW18ANR10G00D	T	70.4/107.6
L60	6200009070	S.COL LQW18AN18NG00D	T	60.8/103.6
L61	6200010160	S.COL AS080440-22N	B	40.8/130.4
L62	6200010420	S.COL FHW1210HC 1R0JGT	B	83.4/149.7
L63	6200009070	S.COL LQW18AN18NG00D	T	43.8/110.2
L64	6200011670	S.COL LQW18AN82NG00D	T	43.8/107.6
L65	6200009070	S.COL LQW18AN18NG00D	T	73.3/115
L66	6200011670	S.COL LQW18AN82NG00D	T	75.2/114.2
L67	6200009070	S.COL LQW18AN18NG00D	T	62.1/110.2
L68	6200011580	S.COL LQW18AN33NG00D	T	55.6/110.2
L69	6200012960	S.COL 0.45-1.4-4TL 12.1N	T	35.1/139.3
L70	6200010420	S.COL FHW1210HC 1R0JGT	B	45.5/133
L71	6200002390	S.COL LQW31HN64NJ03L	T	74.2/120.7
L72	6200011590	S.COL LQW18AN39NG00D	T	76.3/122.5
L73	6200010160	S.COL AS080440-22N	B	36.4/140.3
L74	6200002390	S.COL LQW31HN64NJ03L	T	50.6/113.7
L75	6200011590	S.COL LQW18AN39NG00D	T	53.6/116.3
L76	6200011660	S.COL LQW18ANR15G00D	T	88.5/119.4
L77	6200010160	S.COL AS080440-22N	B	38.9/145.5
L78	6200010910	S.COL LQW18AN56NG00D	T	93.7/124.4

[MAIN UNIT]

REF NO.	ORDER NO.	DESCRIPTION	M.	H/V LOCATION
L79	6200003960	S.COL MLF1608A 1R0K-T	T	102.4/127.3
L80	6200010160	S.COL AS080440-22N	B	38.9/150.6
L81	6200011670	S.COL LQW18AN82NG00D	B	84.2/116.9
L82	6200012900	S.COL 0.30-2.0-7TL 57.2N	T	97.5/128.1
L83	6200003960	S.COL MLF1608A 1R0K-T	T	108.1/131.6
L84	6200009220	S.COL LQW18AN15NG00D	T	105.7/125.8
L85	6200009250	S.COL LQW18ANR22G00D	T	56/135.1
L86	6200012980	S.COL 0.40-1.4-5TR 18.3N	T	105.4/130
L87	6200009250	S.COL LQW18ANR22G00D	T	80.4/121.5
L88	6200010050	S.COL AS080547-47N	B	65.4/152.4
L89	6200010070	S.COL AS080747-68N	B	73.6/146.9
L90	6200012760	S.COL 0.35-1.6-7TL 37.5N	T	99.5/133.2
L91	6200011670	S.COL LQW18AN82NG00D	T	62.7/139.8
L92	6200010060	S.COL AS080647-56N	B	58.9/149.2
L93	6200012910	S.COL 0.35-1.6-8TL 45.5N	T	101/136.5
L94	6200012910	S.COL 0.35-1.6-8TL 45.5N	T	70.3/143.9
L95	6200012960	S.COL 0.45-1.4-4TL 12.1N	T	106.6/136.1
L96	6200010050	S.COL AS080547-47N	B	50/153
L97	6200011660	S.COL LQW18ANR15G00D	T	61/142.4
L98	6200012760	S.COL 0.35-1.6-7TL 37.5N	T	102.5/139.9
L99	6200012960	S.COL 0.45-1.4-4TL 12.1N	T	107.4/140
L100	6200005731	S.COL ELJRE 39NGFA	T	26.8/152.3
L101	6200010040	S.COL AS100340-10N	B	30.6/153.9
L102	6200010130	S.COL LQW18AN6N8C00D	T	12.7/134.3
L103	6200012400	S.COL 0.30-0.91-4TL 8.6N	T	100.8/143
L104	6200010160	S.COL AS080440-22N	B	25.3/148.6
L105	6200010130	S.COL LQW18AN6N8C00D	T	12.7/135.6
L106	6200012980	S.COL 0.40-1.4-5TR 18.3N	T	100.8/147
L107	6200010130	S.COL LQW18AN6N8C00D	T	12.7/136.9
L108	6200010150	S.COL AS080340-15N	B	18.1/148.2
L109	6200012920	S.COL 0.20-1.0-4TL 12.1N	T	99.2/149.9
L110	6200008720	S.COL 0.30-0.8-3TL 6N	[EUR-01] [EUR-02]	15.4/143.1
L111	6200012620	S.COL 0.30-0.8-3TL 4.3N		15.4/143.1
L112	6200004480	S.COL MLF1608D R82K-T	B	24.8/50.8
L113	6200003540	S.COL MLF1608D R22K-T	B	27.9/47.9
L114	6200005701	S.COL ELJRE 22NGFA	T	30.9/49.3
L115	6200005741	S.COL ELJRE 47NGFA	T	35.5/48.6
L116	6200002651	S.COL NLV25T-R18J	T	32.4/37
L117	6200002651	S.COL NLV25T-R18J	T	35.9/35
L118	6200010100	S.COL C2012C-33NG-A	T	33.2/42.3
L119	6200010030	S.COL C2012C-15NG-A	T	41.3/35.5
L120	6200004951	S.COL NLV25T-R18J	B	75.8/74.9
L121	6200010381	S.COL ELJRE R15JFA	T	41.1/44.9
L122	6200005731	S.COL ELJRE 39NGFA	T	45.3/43.1
L123	6130003000	S.COL #617DB-1714=P3	T	64.4/83.6
L124	6200005731	S.COL ELJRE 39NGFA	T	37.4/64.4
L125	6200005691	S.COL ELJRE 18NGFA	T	45.7/64.4
L126	6200005731	S.COL ELJRE 39NGFA	T	36.2/65.9
L127	6130003000	S.COL #617DB-1714=P3	T	70.8/84.2
L128	6130003000	S.COL #617DB-1714=P3	T	71.1/90.4
L129	6200009220	S.COL LQW18AN15NG00D	T	31.6/62.2
L130	6200005671	S.COL ELJRE 12NGFA	T	32.4/64.3
L131	6200005701	S.COL ELJRE 22NGFA	T	39.4/63.8
L132	6130003000	S.COL #617DB-1714=P3	T	14.9/83.9
L133	6200005671	S.COL ELJRE 12NGFA	T	32.4/66.2
L134	6200005701	S.COL ELJRE 22NGFA	T	39.4/67.3
L135	6200005651	S.COL ELJRE 8N2ZFA	T	31.8/68.2
L136	6130003000	S.COL #617DB-1714=P3	T	21.2/84.4
L137	6130003000	S.COL #617DB-1714=P3	T	21.7/90.7
L138	6190001690	S.COL ZBFS5105-PT-01	T	119/121
L139	6190001690	S.COL ZBFS5105-PT-01	T	117.4/112
L140	6190001690	S.COL ZBFS5105-PT-01	T	115.3/121
L141	6190001690	S.COL ZBFS5105-PT-01	T	117.4/115.3
L142	6200004480	S.COL MLF1608D R82K-T	B	71.9/51.3
L143	6200003540	S.COL MLF1608D R22K-T	B	23.3/47.8
L144	6200002611	S.COL NLV25T-R47J	T	80.8/37.2
L145	6200010310	S.COL C2012C-27NG-A	T	85.2/40.4
L146	6200010310	S.COL C2012C-27NG-A	T	86.5/37.7
L147	6200006671	S.COL ELJRE 68NGFA	T	79.4/49.4
L148	6200005731	S.COL ELJRE 39NGFA	T	84.4/65.5
L149	6200005721	S.COL ELJRE 33NGFA	T	80.4/61.3
L150	6200006981	S.COL ELJRE R10GFA	T	87.7/47
L151	6200005661	S.COL ELJRE 10NGFA	T	81.9/63.8
L152	6200005731	S.COL ELJRE 39NGFA	T	84.4/68.1
L153	6200005711	S.COL ELJRE 27NGFA	T	80.2/66.3
L154	6200006671	S.COL ELJRE 68NGFA	T	76.2/68.2
L155	6200006671	S.COL ELJRE 68NGFA	T	78.4/68.4
L156	6200006991	S.COL ELJRE 56NGFA	T	88/67.1
L157	6200009351	S.COL ELJRE R22GFA	T	76.2/64.9
L158	6200005691	S.COL ELJRE 18NGFA	T	45.6/68.9
L159	6200003960	S.COL MLF1608A 1R0K-T	T	90.2/59
L160	6200003960	S.COL MLF1608A 1R0K-T	T	42.7/58.2
L161	6200009220	S.COL LQW18AN15NG00D	T	32/56.2
L162	6200003640	S.COL MLF1608E 100K-T	T	93/15.2
L163	6200011660	S.COL LQW18ANR15G00D	T	38.4/135.2
L164	6200011650	S.COL LQW18AN68NG00D	T	62.2/144.9
L165	6200011650	S.COL LQW18AN68NG00D	T	89.3/121.3
L166	6200011650	S.COL LQW18AN68NG00D	T	
R3	7030010040	S.RES ERJ2GEJ-JPW	B	97.8/102.8
R4	7030005040	S.RES ERJ2GEJ 472 X (4.7 k)	B	102.7/98.5
R5	7030005170	S.RES ERJ2GEJ 474 X (470 k)	B	102.7/100.1
R6	7030005040	S.RES ERJ2GEJ 472		

[MAIN UNIT]

REF NO.	ORDER NO.	DESCRIPTION	M.	H/V LOCATION
R19	7030005000	S.RES ERJ2GEJ 471 X (470)	T	78.5/97.2
R20	7030005240	S.RES ERJ2GEJ 473 X (47 k)	T	46.1/78.2
R22	7030005120	S.RES ERJ2GEJ 102 X (1 k)	B	87.7/67.5
R23	7030005090	S.RES ERJ2GEJ 104 X (100 k)	T	17/103.4
R24	7030005090	S.RES ERJ2GEJ 104 X (100 k)	T	78.6/100.5
R26	7030004980	S.RES ERJ2GEJ 101 X (100)	T	12.2/106.7
R27	7030005090	S.RES ERJ2GEJ 104 X (100 k)	T	17/104.3
R28	7030005080	S.RES ERJ2GEJ 823 X (82 k)	T	12.2/109.8
R29	7030005000	S.RES ERJ2GEJ 471 X (470)	T	19.2/106.3
R30	7030005090	S.RES ERJ2GEJ 104 X (100 k)	T	79.2/101.2
R31	7030005000	S.RES ERJ2GEJ 471 X (470)	T	82.5/102.5
R33	7030010090	S.RES ERJ2GEJ 180 X (18)	B	90.3/69
R35	7030004970	S.RES ERJ2GEJ 470 X (47)	T	17/110.9
R37	7030005580	S.RES ERJ2GEJ 560 X (56)	B	92.1/69.9
R38	7030004970	S.RES ERJ2GEJ 470 X (47)	T	84.2/105.2
R39	7030007270	S.RES ERJ2GEJ 151 X (150)	T	10.6/116.5
R40	7030009200	S.RES ERJ2GEJ 390 X (39)	T	11.1/117.7
R41	7030004980	S.RES ERJ2GEJ 101 X (100)	T	18.4/112.4
R43	7030007280	S.RES ERJ2GEJ 331 X (330)	B	43.9/66.4
R44	7030005050	S.RES ERJ2GEJ 103 X (10 k)	T	46.1/121.5
R45	7030008300	S.RES ERJ2GEJ 184 X (180 k)	T	14.4/115.5
R46	7030010090	S.RES ERJ2GEJ 180 X (18)	B	91.2/69.9
R47	7030005300	S.RES ERJ2GEJ 150 X (15)	B	44.3/68.8
R48	7030005310	S.RES ERJ2GEJ 124 X (120 k)	T	17.7/113.6
R49	7030004980	S.RES ERJ2GEJ 101 X (100)	T	85.6/104.7
R50	7030008300	S.RES ERJ2GEJ 184 X (180 k)	T	88/105.8
R51	7030007270	S.RES ERJ2GEJ 151 X (150)	T	10.6/118.9
R52	7030010040	S.RES ERJ2GEJ-JPW	T	13.1/114.1
R53	7030005110	S.RES ERJ2GEJ 224 X (220 k)	T	14/113.2
R54	7030005310	S.RES ERJ2GEJ 124 X (120 k)	T	86.8/105.4
R55	7030005240	S.RES ERJ2GEJ 473 X (47 k)	T	87.8/107
R56	7030007270	S.RES ERJ2GEJ 151 X (150)	B	89.4/70.7
R57	7030007280	S.RES ERJ2GEJ 331 X (330)	B	42.2/69.3
R58	7030005240	S.RES ERJ2GEJ 473 X (47 k)	T	14.4/114.6
R59	7030009200	S.RES ERJ2GEJ 390 X (39)	B	89.1/71.9
R60	7030005110	S.RES ERJ2GEJ 224 X (220 k)	T	87.8/108.6
R61	7030010040	S.RES ERJ2GEJ-JPW	T	88.7/108.6
R63	7030005040	S.RES ERJ2GEJ 472 X (4.7 k)	B	44.4/72
R64	7030005010	S.RES ERJ2GEJ 681 X (680)	B	42.2/70.2
R66	7030007270	S.RES ERJ2GEJ 151 X (150)	B	87.9/70.7
R67	7030004980	S.RES ERJ2GEJ 101 X (100)	T	12.3/127.1
R68	7030007270	S.RES ERJ2GEJ 151 X (150)	B	44.6/73.7
R70	7030005080	S.RES ERJ2GEJ 823 X (82 k)	T	12.3/126.2
R72	7030005000	S.RES ERJ2GEJ 471 X (470)	T	19.7/113.7
R73	7030007320	S.RES ERJ2GEJ 225 X (2.2 M)	T	10.7/126.2
R74	7030005000	S.RES ERJ2GEJ 471 X (470)	T	89.6/101.6
R75	7030005040	S.RES ERJ2GEJ 472 X (4.7 k)	B	83.6/74.9
R76	7030005120	S.RES ERJ2GEJ 102 X (1 k)	B	83.6/74
R77	7030007250	S.RES ERJ2GEJ 220 X (22)	B	41/76.3
R78	7030005090	S.RES ERJ2GEJ 104 X (100 k)	T	18.4/119.4
R79	7030005090	S.RES ERJ2GEJ 104 X (100 k)	T	19.1/120.3
R80	7030005040	S.RES ERJ2GEJ 472 X (4.7 k)	T	11.6/129
R81	7030005090	S.RES ERJ2GEJ 104 X (100 k)	T	94.7/104.4
R82	7030000270	S.RES MCR10EZHJ 120 (121)	B	81/75.2
R83	7030005090	S.RES ERJ2GEJ 104 X (100 k)	T	95.9/104.3
R85	7030005000	S.RES ERJ2GEJ 471 X (470)	T	18.4/123.1
R86	7030005000	S.RES ERJ2GEJ 471 X (470)	T	99.9/101
R88	7030000180	S.RES MCR10EZHJ 22 (220)	B	36/77.8
R89	7030005590	S.RES ERJ2GEJ 680 X (68)	B	84.5/78.9
R90	7030005040	S.RES ERJ2GEJ 472 X (4.7 k)	B	38.4/78.7
R91	7030005010	S.RES ERJ2GEJ 681 X (680)	B	40/79.7
R92	7030000180	S.RES MCR10EZHJ 22 (220)	B	34.3/77.8
R93	7030005120	S.RES ERJ2GEJ 102 X (1 k)	T	102.6/107.4
R94	7030005120	S.RES ERJ2GEJ 102 X (1 k)	T	18.3/127.6
R95	7030000180	S.RES MCR10EZHJ 22 (220)	B	80.8/78.5
R96	7030005040	S.RES ERJ2GEJ 472 X (4.7 k)	B	83.3/79.4
R97	7030005120	S.RES ERJ2GEJ 102 X (1 k)	B	84.5/80.5
R98	7030004980	S.RES ERJ2GEJ 101 X (100)	T	19.7/124.5
R100	7030000180	S.RES MCR10EZHJ 22 (220)	B	79/78.5
R101	7030010040	S.RES ERJ2GEJ-JPW	T	98.1/111.6
R102	7030010040	S.RES ERJ2GEJ-JPW	T	98.1/117
R103	7030010040	S.RES ERJ2GEJ-JPW	T	25/127.6
R104	7030004990	S.RES ERJ2GEJ 221 X (220)	B	39.1/84.3
R105	7030005300	S.RES ERJ2GEJ 150 X (15)	B	85.7/83.9
R106	7030010090	S.RES ERJ2GEJ 180 X (18)	B	38.6/83.1
R107	7030004970	S.RES ERJ2GEJ 470 X (47)	T	27.4/134.4
R108	7030004980	S.RES ERJ2GEJ 101 X (100)	T	30.7/130.1
R109	7030004970	S.RES ERJ2GEJ 470 X (47)	T	103/118
R110	7030004980	S.RES ERJ2GEJ 101 X (100)	T	98.5/114.4
R111	7030004990	S.RES ERJ2GEJ 221 X (220)	B	38.2/84.3
R112	7030005240	S.RES ERJ2GEJ 473 X (47 k)	T	27.4/132.8
R113	7030005110	S.RES ERJ2GEJ 224 X (220 k)	T	26.1/133
R114	7030005240	S.RES ERJ2GEJ 473 X (47 k)	T	103/116.4
R115	7030005110	S.RES ERJ2GEJ 224 X (220 k)	T	100.6/118.4
R116	7030005300	S.RES ERJ2GEJ 150 X (15)	B	84.1/83.9
R117	7030004980	S.RES ERJ2GEJ 101 X (100)	B	84.5/85.1
R118	7030008300	S.RES ERJ2GEJ 184 X (180 k)	T	28.7/133.2
R119	7030008300	S.RES ERJ2GEJ 184 X (180 k)	T	104.3/116.1
R120	7030008300	S.RES ERJ2GEJ 184 X (180 k)	T	29.6/135.1
R121	7030005310	S.RES ERJ2GEJ 124 X (120 k)	T	105.7/114.1
R122	7030005240	S.RES ERJ2GEJ 473 X (47 k)	T	28.3/127.8
R124	7030005040	S.RES ERJ2GEJ 472 X (4.7 k)	T	23.3/128.5
R125	7030010040	S.RES ERJ2GEJ-JPW	B	44.5/90.1
R126	7030005050	S.RES ERJ2GEJ 103 X (10 k)	T	29.5/127.4
R128	7030007270	S.RES ERJ2GEJ 151 X (150)	B	43.3/90.6
R129	7030008400	S.RES ERJ2GEJ 182 X (1.8 k)	B	45.5/92.1
R133	7030005230	S.RES ERJ2GEJ 334 X (330 k)	B	40.8/103.6
R134	7030007290	S.RES ERJ2GEJ 222 X (2.2 k)	T	24.7/98.3
R135	7030007290	S.RES ERJ2GEJ 222 X (2.2 k)	T	58/98.1
R136	7030007290	S.RES ERJ2GEJ 222 X (2.2 k)	T	63.6/98.1
R137	7030007290	S.RES ERJ2GEJ 222 X (2.2 k)	T	68.1/99.6
R138	7030010040	S.RES ERJ2GEJ-JPW	B	85.2/87.3
R139	7030007280	S.RES ERJ2GEJ 331 X (330)	T	54.8/99.3
R140	7030004990	S.RES ERJ2GEJ 221 X (220)	B	87.3/86.9

[MAIN UNIT]

REF NO.	ORDER NO.	DESCRIPTION	M.	H/V LOCATION
R141	7030008400	S.RES ERJ2GEJ 182 X (1.8 k)	B	86.4/86.9
R142	7030007280	S.RES ERJ2GEJ 331 X (330)	T	61.2/99.3
R143	7030005300	S.RES ERJ2GEJ 150 X (15)	T	60/100.5
R144	7030007250	S.RES ERJ2GEJ 220 X (22)	T	53.6/100.5
R145	7030005090	S.RES ERJ2GEJ 104 X (100 k)	T	30.9/103.5
R147	7030007280	S.RES ERJ2GEJ 331 X (330)	T	54.8/100.9
R148	7030005060	S.RES ERJ2GEJ 333 X (33 k)	B	37.7/104.7
R149	7030005090	S.RES ERJ2GEJ 104 X (100 k)	T	70.6/103.7
R150	7030007280	S.RES ERJ2GEJ 331 X (330)	T	61.2/100.9
R152	7030004980	S.RES ERJ2GEJ 101 X (100)	B	34.6/105
R153	7030005090	S.RES ERJ2GEJ 104 X (100 k)	T	31.8/103.5
R154	7030005600	S.RES ERJ2GEJ 273 X (27 k)	B	74.5/134.2
R155	7030005090	S.RES ERJ2GEJ 104 X (100 k)	T	70.6/104.6
R156	7030005090	S.RES ERJ2GEJ 104 X (100 k)	T	56.5/101.5
R157	7030005120	S.RES ERJ2GEJ 102 X (1 k)	B	33.7/105
R158	7030005080	S.RES ERJ2GEJ 823 X (82 k)	B	35.1/107.9
R159	7030005090	S.RES ERJ2GEJ 104 X (100 k)	T	34.7/101.9
R160	7030005090	S.RES ERJ2GEJ 104 X (100 k)	T	62.9/101.5
R161	7030005090	S.RES ERJ2GEJ 104 X (100 k)	T	67.4/106.7
R162	7030005110	S.RES ERJ2GEJ 224 X (220 k)	B	34.6/106.6
R163	7030005100	S.RES ERJ2GEJ 154 X (150 k)	B	33.7/109.1
R164	7030007350	S.RES ERJ2GEJ 393 X (39 k)	T	56.9/104.8
R165	7030004970	S.RES ERJ2GEJ 470 X (47)	T	36.9/101.9
R166	7030005220	S.RES ERJ2GEJ 223 X (22 k)	B	39.6/111.6
R167	7030005050	S.RES ERJ2GEJ 103 X (10 k)	B	39.1/110.3
R168	7030007350	S.RES ERJ2GEJ 393 X (39 k)	T	63.3/104.8
R169	7030004970	S.RES ERJ2GEJ 470 X (47)	T	72.5/106.7
R170	7030004980	S.RES ERJ2GEJ 101 X (100)	T	56.4/103.6
R171	7030004980	S.RES ERJ2GEJ 101 X (100)	T	62.9/103.6
R172	7030007270	S.RES ERJ2GEJ 151 X (150)	T	39.4/103.3
R173	7030005240	S.RES ERJ2GEJ 473 X (47 k)	T	79.7/107.7
R174	7030007270	S.RES ERJ2GEJ 151 X (150)	T	73/109.2
R175	7030005310	S.RES ERJ2GEJ 124 X (120 k)	T	40.5/104.8
R176	7030007290	S.RES ERJ2GEJ 222 X (2.2 k)	B	40.8/110.3
R177	7030008300	S.RES ERJ2GEJ 184 X (180 k)	T	41.2/108.2
R178	7030007340	S.RES ERJ2GEJ 153 X (15 k)	B	29.7/135.5
R179	7030008300	S.RES ERJ2GEJ 184 X (180 k)	T	73.3/111.7
R180	7030005110	S.RES ERJ2GEJ 224 X (220 k)	T	37.5/107.2
R181	7030005310	S.RES ERJ2GEJ 124 X (120 k)	T	73.3/110.8
R182	7030007350	S.RES ERJ2GEJ 393 X (39 k)	T	56/106.5
R183	7030007320	S.RES ERJ2GEJ 225 X (2.2 M)	T	53.7/107.3
R184	7030010040	S.RES ERJ2GEJ-JPW	T	38.6/108.3
R185	7030010040	S.RES ERJ2GEJ-JPW	T	69.7/111.8
R186	7030007350	S.RES ERJ2GEJ 393 X (39 k)	T	62.4/106.5
R187	7030007320	S.RES ERJ2GEJ 225 X (2.2 M)	T	60.1/107.3
R188	7030006070	S.RES ERJ12YJ101U (100)	B	84.5/144.8
R189	7030005110	S.RES ERJ2GEJ 224 X (220 k)	T	68.5/111.4
R190	7030005240	S.RES ERJ2GEJ 473 X (47 k)	T	70.9/111.2
R191	7030005090	S.RES ERJ2GEJ 104 X (100 k)	T	65/109
R192	7030005090	S.RES ERJ2GEJ 104 X (100 k)	T	58.5/109
R193	7030005070	S.RES ERJ2GEJ 683 X (68 k)	B	43/111.7
R194	7030005110	S.RES ERJ2GEJ 224 X (220 k)	B	44.9/107.8
R195	7030007290	S.RES ERJ2GEJ 222 X (2.2 k)	T	61.6/111.4
R196	7030007350	S.RES ERJ2GEJ 393 X (39 k)	B	44.4/111.3
R197	7030004980	S.RES ERJ2GEJ 101 X (100)	B	45.7/106.2
R198	7030005120	S.RES ERJ2GEJ 102 X (1 k)	B	46.1/107.8
R199	7030007290	S.RES ERJ2GEJ 222 X (2.2 k)	T	52.9/110.7
R200	7030005090	S.RES ERJ2GEJ 104 X (100 k)	T	46.8/108.1
R201	7030005220	S.RES ERJ2GEJ 223 X (22 k)	B	72.1/139.6
R202	7030005050	S.RES ERJ2GEJ 103 X (10 k)	B	72.7/133.2
R203	7030005090	S.RES ERJ2GEJ 104 X (100 k)	T	77/117
R204	7030005530	S.RES ERJ2GEJ 100 X (10)	T	38.2/137.9
R205	7030005060	S.RES ERJ2GEJ 333 X (33 k)	B	41.7/104.7
R206	7030005090	S.RES ERJ2GEJ 104 X (100 k)	T	47.7/108.1
R208	7030005090	S.RES ERJ2GEJ 104 X (100 k)	T	77/117.9
R209	7030007290	S.RES ERJ2GEJ 222 X (2.2 k)	B	74.1/133
R210	7030006070	S.RES ERJ12YJ101U (100)	B	45.5/127
R211	7030005230	S.RES ERJ2GEJ 334 X (330 k)	B	44.8/104.3
R212	7030005120	S.RES ERJ2GEJ 102 X (1 k)	T	55.9/117.3
R213	7030005530	S.RES ERJ2GEJ 100 X (10)	T	93.4/122.1
R215	7030005120	S.RES ERJ2GEJ 102 X (1 k)	T	103.1/106.1
R216	7030005530	S.RES ERJ2GEJ 100 X (10)	T	106.4/123.2
R217	7030005710	S.RES ERJ2GEJ 121 X (120)	T	72.4/122.5
R218	7030004980	S.RES ERJ2GEJ 101 X (100)	T	86.4/122.5
R219	7030005120	S.RES ERJ2GEJ 102 X (1 k)	T	103.5/116.1
R220	7030005310	S.RES ERJ2GEJ 124 X (120 k)	T	85.1/119
R221	7030008300	S.RES ERJ2GEJ 184 X (180 k)	T	86/120.6
R222	7030010040</			

[MAIN UNIT]

REF NO.	ORDER NO.	DESCRIPTION	M.	H/V LOCATION
R249	7030005090	S.RES ERJ2GEJ 104 X (100 k)	B	109/89.6
R251	7030005070	S.RES ERJ2GEJ 683 X (68 k)	T	115.3/82.7
R252	7030005240	S.RES ERJ2GEJ 473 X (47 k)	T	113.6/94.5
R253	7030005090	S.RES ERJ2GEJ 104 X (100 k)	T	114.4/83.6
R254	7030005240	S.RES ERJ2GEJ 473 X (47 k)	T	106.2/95.9
R255	7030007570	S.RES ERJ2GEJ 122 X (1.2 k)	T	112.3/81.3
R256	7030005290	S.RES ERJ2GEJ 682 X (6.8 k)	T	116.1/92.2
R257	7030005290	S.RES ERJ2GEJ 682 X (6.8 k)	T	108.7/93.6
R258	7030005220	S.RES ERJ2GEJ 223 X (22 k)	T	111.6/93.3
R259	7030005220	S.RES ERJ2GEJ 223 X (22 k)	T	106.2/92.7
R261	7030005070	S.RES ERJ2GEJ 683 X (68 k)	B	99.6/90.9
R262	7030005050	S.RES ERJ2GEJ 103 X (10 k)	T	111.9/86.8
R263	7030005090	S.RES ERJ2GEJ 104 X (100 k)	B	102.3/92.5
R264	7030007570	S.RES ERJ2GEJ 122 X (1.2 k)	B	99.6/90
R265	7030005050	S.RES ERJ2GEJ 103 X (10 k)	T	111.9/87.7
R266	7030005040	S.RES ERJ2GEJ 472 X (4.7 k)	T	116.9/97.4
R267	7030007340	S.RES ERJ2GEJ 153 X (15 k)	T	110.7/87.2
R268	7030005040	S.RES ERJ2GEJ 472 X (4.7 k)	T	108.7/98.1
R269	7030005050	S.RES ERJ2GEJ 103 X (10 k)	B	106.4/90.4
R270	7030005050	S.RES ERJ2GEJ 103 X (10 k)	B	107.6/90.4
R271	7030007310	S.RES ERJ2GEJ 155 X (1.5 M)	T	112.7/94.5
R272	7030007280	S.RES ERJ2GEJ 331 X (330)	T	115.8/96.3
R273	7030007310	S.RES ERJ2GEJ 155 X (1.5 M)	T	105.3/95.9
R274	7030007280	S.RES ERJ2GEJ 331 X (330)	T	107.8/98.1
R275	7030007340	S.RES ERJ2GEJ 153 X (15 k)	B	105.5/90
R276	7030005070	S.RES ERJ2GEJ 683 X (68 k)	T	111.9/85
R277	7030007350	S.RES ERJ2GEJ 393 X (39 k)	T	111.6/92.4
R278	7030005070	S.RES ERJ2GEJ 683 X (68 k)	T	110.3/85
R279	7030005090	S.RES ERJ2GEJ 104 X (100 k)	B	109.6/88.7
R280	7030007350	S.RES ERJ2GEJ 393 X (39 k)	T	105.3/94.2
R281	7030005070	S.RES ERJ2GEJ 683 X (68 k)	B	103.7/90
R282	7030005050	S.RES ERJ2GEJ 103 X (10 k)	B	108/88.7
R283	7030005220	S.RES ERJ2GEJ 223 X (22 k)	T	111.6/91.5
R284	7030005220	S.RES ERJ2GEJ 223 X (22 k)	T	105.3/91.8
R285	7030005070	S.RES ERJ2GEJ 683 X (68 k)	T	107.9/85
R286	7030005070	S.RES ERJ2GEJ 683 X (68 k)	B	103.7/88.4
R287	7030005700	S.RES ERJ2GEJ 274 X (270 k)	B	21.2/46.8
R288	7030008010	S.RES ERJ2GEJ 123 X (12 k)	T	110.4/91
R290	7030008010	S.RES ERJ2GEJ 123 X (12 k)	T	102.3/92
R292	7030010040	S.RES ERJ2GEJ-JPW	B	20/44.7
R293	7030010040	S.RES ERJ2GEJ-JPW	B	59.9/42.1
R294	7030005070	S.RES ERJ2GEJ 683 X (68 k)	B	102.5/87.4
R295	7030005090	S.RES ERJ2GEJ 104 X (100 k)	B	104.1/86.3
R296	7030005050	S.RES ERJ2GEJ 103 X (10 k)	B	102.5/86.5
R298	7030008290	S.RES ERJ2GEJ 183 X (18 k)	B	16.5/40.5
R299	7030005050	S.RES ERJ2GEJ 103 X (10 k)	B	21.2/45.9
R301	7030004980	S.RES ERJ2GEJ 101 X (100)	B	55/40.9
R302	7030010040	S.RES ERJ2GEJ-JPW	B	51.8/34
R303	7030008290	S.RES ERJ2GEJ 183 X (18 k)	B	55.8/37
R304	7030007060	S.RES ERJ2GEJ 684X (680 k)	B	27.4/46.9
R305	7030005050	S.RES ERJ2GEJ 103 X (10 k)	T	57.5/74.1
R306	7030005030	S.RES ERJ2GEJ 152 X (1.5 k)	B	54.9/37.9
R307	7030005080	S.RES ERJ2GEJ 823 X (82 k)	T	51.5/60.7
R308	7030005000	S.RES ERJ2GEJ 471 X (47 k)	B	54/65.9
R309	7030005050	S.RES ERJ2GEJ 103 X (10 k)	B	29.7/50.9
R310	7030005170	S.RES ERJ2GEJ 474 X (470 k)	B	52.3/38.6
R311	7030005220	S.RES ERJ2GEJ 223 X (22 k)	B	52.8/37.4
R312	7030007250	S.RES ERJ2GEJ 220 X (22 k)	T	29.5/45.6
R313	7030005050	S.RES ERJ2GEJ 103 X (10 k)	T	26/40.9
R314	7030005040	S.RES ERJ2GEJ 472 X (4.7 k)	T	53.6/61.2
R315	7030010040	S.RES ERJ2GEJ-JPW	B	54/67.5
R316	7030007340	S.RES ERJ2GEJ 153 X (15 k)	T	55.5/51.2
R317	7030005050	S.RES ERJ2GEJ 103 X (10 k)	T	54.8/60.7
R318	7030005220	S.RES ERJ2GEJ 223 X (22 k)	B	30.2/47.4
R319	7030008300	S.RES ERJ2GEJ 184 X (180 k)	B	51.9/37.4
R320	7030010040	S.RES ERJ2GEJ-JPW	B	26.7/43.7
R321	7030007290	S.RES ERJ2GEJ 222 X (2.2 k)	T	56.1/61
R322	7030008010	S.RES ERJ2GEJ 123 X (12 k)	T	54.7/56.3
R323	7030008010	S.RES ERJ2GEJ 123 X (12 k)	T	54.7/48.8
R324	7030005070	S.RES ERJ2GEJ 683 X (68 k)	T	54.8/63.9
R325	7030007320	S.RES ERJ2GEJ 225 X (2.2 M)	T	31.6/47.4
R327	7030005120	S.RES ERJ2GEJ 102 X (1 k)	T	54.5/40.3
R328	7030008300	S.RES ERJ2GEJ 184 X (180 k)	T	54.5/41.2
R329	7030010040	S.RES ERJ2GEJ-JPW	B	100.4/21.7
R330	7030008010	S.RES ERJ2GEJ 123 X (12 k)	T	62.2/59
R331	7030008010	S.RES ERJ2GEJ 123 X (12 k)	T	62.5/51.1
R332	7030005230	S.RES ERJ2GEJ 334 X (330 k)	T	51.9/42.8
R333	7030005050	S.RES ERJ2GEJ 103 X (10 k)	B	23.1/49.7
R334	7030007340	S.RES ERJ2GEJ 153 X (15 k)	T	59.3/64.3
R335	7030005000	S.RES ERJ2GEJ 471 X (470)	T	52.9/40.3
R336	7030005050	S.RES ERJ2GEJ 103 X (10 k)	B	22.5/48.8
R337	7030005600	S.RES ERJ2GEJ 273 X (27 k)	T	24/43.5
R338	7030005050	S.RES ERJ2GEJ 103 X (10 k)	B	22.7/47.9
R339	7030007300	S.RES ERJ2GEJ 332 X (3.3 k)	B	84.3/46.1
R340	7030008290	S.RES ERJ2GEJ 183 X (18 k)	T	22.1/41.6
R341	7030005120	S.RES ERJ2GEJ 102 X (1 k)	T	57.3/61.9
R342	7030007280	S.RES ERJ2GEJ 331 X (330)	T	59.8/68.7
R343	7030005040	S.RES ERJ2GEJ 472 X (4.7 k)	T	23.3/41.4
R344	7030005050	S.RES ERJ2GEJ 103 X (10 k)	T	21.6/39.5
R345	7030007300	S.RES ERJ2GEJ 332 X (3.3 k)	T	55.1/66.8
R346	7030007300	S.RES ERJ2GEJ 332 X (3.3 k)	T	53/65.6
R347	7030004980	S.RES ERJ2GEJ 101 X (100)	T	26.8/42.5
R348	7030005000	S.RES ERJ2GEJ 471 X (470)	T	36.5/47.2
R349	7030005220	S.RES ERJ2GEJ 223 X (22 k)	T	37.7/47.5
R350	7030005050	S.RES ERJ2GEJ 103 X (10 k)	T	38.7/48.9
R351	7030004980	S.RES ERJ2GEJ 101 X (100)	B	8.6/40.3
R352	7030005030	S.RES ERJ2GEJ 152 X (1.5 k)	B	7.6/38
R353	7030008290	S.RES ERJ2GEJ 183 X (18 k)	B	8.8/38.4
R354	7030005240	S.RES ERJ2GEJ 473 X (47 k)	B	44.5/39.1
R355	7030010040	S.RES ERJ2GEJ-JPW	T	26.9/37.3
R356	7030007280	S.RES ERJ2GEJ 331 X (330)	T	41.6/49.3
R358	7030005170	S.RES ERJ2GEJ 474 X (470 k)	B	6/38
R359	7030005220	S.RES ERJ2GEJ 223 X (22 k)	B	7.9/36.8
R360	7030005050	S.RES ERJ2GEJ 103 X (10 k)	B	40/36.6

[MAIN UNIT]

REF NO.	ORDER NO.	DESCRIPTION	M.	H/V LOCATION
R362	7030004980	S.RES ERJ2GEJ 101 X (100)	T	27.8/37.3
R363	7030005210	S.RES ERJ2GEJ 822 X (8.2 k)	B	40.6/42.9
R364	7030005030	S.RES ERJ2GEJ 152 X (1.5 k)	B	38.8/42.9
R365	7030007570	S.RES ERJ2GEJ 122 X (1.2 k)	T	27.4/36.1
R366	7030008300	S.RES ERJ2GEJ 184 X (180 k)	B	5.2/36.8
R367	7030010040	S.RES ERJ2GEJ-JPW	B	11.1/42.1
R368	7030008290	S.RES ERJ2GEJ 183 X (18 k)	T	58.7/42.8
R369	7030007280	S.RES ERJ2GEJ 331 X (330)	T	27.4/34.3
R370	7030005090	S.RES ERJ2GEJ 104 X (100 k)	B	38.8/37.4
R372	7030005080	S.RES ERJ2GEJ 823 X (82 k)	T	8.5/59
R373	7030005210	S.RES ERJ2GEJ 822 X (8.2 k)	B	41.6/43.9
R374	7030005120	S.RES ERJ2GEJ 102 X (1 k)	T	7.3/39.4
R375	7030005000	S.RES ERJ2GEJ 471 X (470)	B	8.5/65
R376	7030008300	S.RES ERJ2GEJ 184 X (180 k)	T	7.3/40.3
R377	7030007570	S.RES ERJ2GEJ 122 X (1.2 k)	B	41.2/45.1
R378	7030010040	S.RES ERJ2GEJ-JPW	T	29/36.1
R379	7030004970	S.RES ERJ2GEJ 470 X (47)	B	62.4/68.3
R380	7030005000	S.RES ERJ2GEJ 471 X (470)	B	61.5/66.6
R381	7030005000	S.RES ERJ2GEJ 471 X (470)	B	63.6/64.4
R382	7030007320	S.RES ERJ2GEJ 225 X (2.2 M)	T	36.3/38.4
R383	7030005040	S.RES ERJ2GEJ 472 X (4.7 k)	T	8.2/60.4
R384	7030005090	S.RES ERJ2GEJ 104 X (100 k)	B	65.6/65.9
R385	7030005230	S.RES ERJ2GEJ 334 X (330 k)	T	5.4/41.9
R386	7030007300	S.RES ERJ2GEJ 332 X (3.3 k)	B	37.3/43.3
R388	7030005050	S.RES ERJ2GEJ 103 X (10 k)	T	9.4/59.9
R389	7030010040	S.RES ERJ2GEJ-JPW	B	8.5/66.6
R390	7030008400	S.RES ERJ2GEJ 182 X (1.8 k)	T	29.9/37
R394	7030008270	S.RES RR0510R-104-D (100 k)	T	37.2/37.5
R395	7030005050	S.RES ERJ2GEJ 103 X (10 k)	B	63.8/67.9
R396	7030005000	S.RES ERJ2GEJ 471 X (470)	T	5.6/39.4
R397	7030007290	S.RES ERJ2GEJ 222 X (2.2 k)	T	10.7/60.2
R398	7030005050	S.RES ERJ2GEJ 103 X (10 k)	T	16.5/69.2
R399	7030007280	S.RES ERJ2GEJ 331 X (330)	B	67.2/66.8
R400	7030005070	S.RES ERJ2GEJ 683 X (68 k)	T	9.4/62.2
R402	7030007340	S.RES ERJ2GEJ 153 X (15 k)	T	6.3/50.3
R403	7030005820	S.RES RR0510P-103-D (10 k)	T	36/41.1
R404	7030005820	S.RES RR0510P-103-D (10 k)	T	42.9/36.3
R405	7030005820	S.RES RR0510P-103-D (10 k)	T	36/42.7
R406	7030008010	S.RES ERJ2GEJ 123 X (12 k)	T	9.4/55.4
R407	7030008010	S.RES ERJ2GEJ 123 X (12 k)	T	9.4/47.9
R408	7030004970	S.RES ERJ2GEJ 470 X (47)	T	37/43.8
R409	7030009270	S.RES ERJ2GEJ 821 X (820)	T	40.1/39.5
R411	7030005820	S.RES RR0510P-103-D (10 k)	T	43.2/38.4
R412	7030005750	S.RES RR0510R-470-D (47 k)	T	44.3/40
R413	7030008280	S.RES ERJ2GEJ 271 X (270)	T	46.3/34.9
R414	7030007340	S.RES ERJ2GEJ 153 X (15 k)	T	13.9/63.5
R415	7030007300	S.RES ERJ2GEJ 332 X (3.3 k)	T	7/65.5
R416	7030010040	S.RES ERJ2GEJ-JPW	B	73.6/74.5
R417	7030008010	S.RES ERJ2GEJ 123 X (12 k)	T	16.7/59.5
R418	7030008010	S.RES ERJ2GEJ 123 X (12 k)	T	17/51.5
R419	7030005120	S.RES ERJ2GEJ 102 X (1 k)	T	12/61
R420	7030005050	S.RES ERJ2GEJ 103 X (10 k)	T	40/43.5
R421	7030008400	S.RES ERJ2GEJ 182 X (1.8 k)	T	41.5/41.6
R422	7030007280	S.RES ERJ2GEJ 331 X (330)	T	16.1/68
R423	7030005120	S.RES ERJ2GEJ 102 X (1 k)	T	40.3/46.4
R426	7030005220	S.RES ERJ2GEJ 223 X (22 k)	T	44.3/42.4
R427	7030009290	S.RES ERJ2GEJ 562 X (5.6 k)	T	45.9/40.9
R428	7030010040	S.RES ERJ2GEJ-JPW	T	37.8/60.7
R429	7030004970	S.RES ERJ2GEJ 470 X (47)	B	15.8/67.5
R430	7030005000	S.RES ERJ2GEJ 471 X (470)	B	16.7/66.6
R431	7030005000	S.RES ERJ2GEJ 471 X (470)	B	18/63.5
R432	7030005590	S.RES ERJ2GEJ 680 X (68 k)	T	44.6/45.6
R433	7030005040	S.RES ERJ2GEJ 472 X (4.7 k)	T	45.3/47.3
R434	7030005090	S.RES ERJ2GEJ 104 X (100 k)	B	20.4/65.5
R436	7030010040	S.RES ERJ2GEJ-JPW	T	37.2/62.3
R438	7030005050	S.RES ERJ2GEJ 103 X (10 k)	B	19/68.9
R439	7030004990	S.RES ERJ2GEJ 221 X (220)	B	21.7/65.9
R440	7030004970	S.RES ERJ2GEJ 470 X (47)	T	63.1/88.3
R441	7030010040	S.RES ERJ2GEJ-JPW	T	34.1/56.2
R443	7030010040	S.RES ERJ2GEJ-JPW	T	68.8/81.5
R444	7030004990	S.RES ERJ2GEJ 221 X (220)	T	67.5/86.3
R445	7030010040	S.RES ERJ2GEJ-JPW	T	44/66.7
R446	7030010040	S.RES ERJ2GEJ-JPW	T	44.9/65.8
R447	7030004990	S.RES ERJ2GEJ 221 X (220)	T	68.6/87.4
R448	7030005040	S.RES ERJ2GEJ 472 X (4.7 k)	T	46/56.4
R449	7030005040	S.RES ERJ2GEJ 472 X (4.7 k)	T	36.3/55.6
R450	7030007290	S.RES ERJ2GEJ 222 X (2.2 k)	T	36.8/68.3
R452	7030010040	S.RES ERJ2GEJ-JPW	B	28.7/73.7
R453	7030005090	S.RES ERJ2GEJ 104 X (100 k)	T	67.9/82.4

[MAIN UNIT]

REF NO.	ORDER NO.	DESCRIPTION	M.	H/V LOCATION
R485	703000400	S.RES MCR10EZHZ 1.5 k	B	98.7/120.5
R486	7030004980	S.RES ERJ2GEJ 101 X (100)	T	110.1/63.1
R489	7030004980	S.RES ERJ2GEJ 101 X (100)	T	126.3/74
R490	7030005050	S.RES ERJ2GEJ 103 X (10 k)	T	124/24.8
R493	7030004980	S.RES ERJ2GEJ 101 X (100)	T	128.7/74.3
R494	7030005040	S.RES ERJ2GEJ 472 X (4.7 k)	B	8.4/33.2
R495	7030005120	S.RES ERJ2GEJ 102 X (1 k)	B	6.8/33.2
R497	7030005040	S.RES ERJ2GEJ 472 X (4.7 k)	T	123.6/23.9
R498	7030005040	S.RES ERJ2GEJ 472 X (4.7 k)	B	101.6/102.2
R499	7030005000	S.RES ERJ2GEJ 471 X (470)	B	103.4/101.3
R500	7030005040	S.RES ERJ2GEJ 472 X (4.7 k)	B	101.8/104.5
R501	7030005000	S.RES ERJ2GEJ 471 X (470)	B	102.2/105.7
R504	7030004980	S.RES ERJ2GEJ 101 X (100)	T	125.7/24.8
R506	7030005050	S.RES ERJ2GEJ 103 X (10 k)	T	125.2/23.9
R508	7030004980	S.RES ERJ2GEJ 101 X (100)	B	128.7/65.7
R509	7510001770	S.TMR NTCG10 4LH 473JT	B	113.6/89.2
R510	7030007350	S.RES ERJ2GEJ 393 X (39 k)	B	112.4/89.6
R511	7030004980	S.RES ERJ2GEJ 101 X (100)	B	116.3/88.6
R512	7030004980	S.RES ERJ2GEJ 101 X (100)	B	117.2/88.8
R514	7030005220	S.RES ERJ2GEJ 223 X (22 k)	B	7.6/29.7
R515	7030005050	S.RES ERJ2GEJ 103 X (10 k)	B	6/29.7
R516	7410001230	S.ARY EXB28V101JX	B	126.9/65.8
R517	7030007290	S.RES ERJ2GEJ 222 X (2.2 k)	B	9.6/31.4
R518	7030004980	S.RES ERJ2GEJ 101 X (100)	B	106.5/83.1
R519	7030005090	S.RES ERJ2GEJ 104 X (100 k)	B	8.4/31.9
R520	7410001230	S.ARY EXB28V101JX	B	108.5/85.2
R521	7030005521	S.RES ERA3YKD 334V (330 k)	T	116.9/68.4
R522	7030005501	S.RES ERA3YKD 124V (120 k)	T	118.1/67.5
R523	7030005691	S.RES ERA3YED 123V (12 k)	T	118.8/69.6
R524	7030005050	S.RES ERJ2GEJ 103 X (10 k)	T	117.8/65.4
R525	7410001230	S.ARY EXB28V101JX	B	110.6/87.2
R527	7030005040	S.RES ERJ2GEJ 472 X (4.7 k)	T	15.7/28.6
R529	7030005120	S.RES ERJ2GEJ 102 X (1 k)	T	13.2/27.4
R530	7030005170	S.RES ERJ2GEJ 474 X (470 k)	T	114.1/65.9
R532	7030005060	S.RES ERJ2GEJ 333 X (33 k)	T	13.8/30.2
R533	7030005070	S.RES ERJ2GEJ 683 X (68 k)	T	13.8/28.6
R534	7030004980	S.RES ERJ2GEJ 101 X (100)	T	107.9/65.5
R536	7030004980	S.RES ERJ2GEJ 101 X (100)	T	112/63.4
R537	7030004980	S.RES ERJ2GEJ 101 X (100)	T	12.9/30.5
R538	7030005040	S.RES ERJ2GEJ 472 X (4.7 k)	T	16.7/28.6
R539	7030004980	S.RES ERJ2GEJ 101 X (100)	B	124.2/65.3
R540	7030004980	S.RES ERJ2GEJ 101 X (100)	B	125.1/66
R541	7030005600	S.RES ERJ2GEJ 273 X (27 k)	T	17.6/28.6
R545	7030007340	S.RES ERJ2GEJ 153 X (15 k)	T	19.9/28.6
R547	7030005220	S.RES ERJ2GEJ 223 X (22 k)	T	25.5/25.9
R549	7030010040	S.RES ERJ2GEJ-JPW	T	24.3/27.7
R550	7030007570	S.RES ERJ2GEJ 122 X (1.2 k)	T	22.5/22.8
R552	7030004980	S.RES ERJ2GEJ 101 X (100)	B	98.7/75.3
R553	7030004980	S.RES ERJ2GEJ 101 X (100)	T	119.4/66.6
R554	7410001230	S.ARY EXB28V101JX	B	120.6/61.1
R556	7410001230	S.ARY EXB28V101JX	B	102.8/66.7
R557	7030004980	S.RES ERJ2GEJ 101 X (100)	T	107.9/67.5
R558	7410001230	S.ARY EXB28V101JX	B	99/70
R559	7410001230	S.ARY EXB28V101JX	B	110.6/59
R560	7030008290	S.RES ERJ2GEJ 183 X (18 k)	T	24.3/26.1
R561	7410001230	S.ARY EXB28V101JX	B	105.8/62.5
R562	7030005170	S.RES ERJ2GEJ 474 X (470 k)	T	19/27
R563	7410001230	S.ARY EXB28V101JX	B	101/68.4
R564	7410001230	S.ARY EXB28V101JX	B	104.6/64.9
R566	7030005210	S.RES ERJ2GEJ 822 X (8.2 k)	T	21.3/27.3
R567	7030005040	S.RES ERJ2GEJ 472 X (4.7 k)	T	110.1/79.3
R568	7030005090	S.RES ERJ2GEJ 104 X (100 k)	T	115.0/78.1
R569	7030005090	S.RES ERJ2GEJ 104 X (100 k)	T	64.8/5.6
R570	7030005090	S.RES ERJ2GEJ 104 X (100 k)	T	30.6/28
R571	7030005240	S.RES ERJ2GEJ 473 X (47 k)	T	43.7/12.6
R572	7030005090	S.RES ERJ2GEJ 104 X (100 k)	T	112.2/98.1
R573	7030005090	S.RES ERJ2GEJ 104 X (100 k)	T	110.4/98.1
R574	7030005210	S.RES ERJ2GEJ 822 X (8.2 k)	B	27.3/33.9
R575	7030008410	S.RES ERJ2GEJ 392 X (3.9 k)	B	28.5/23.5
R577	7030005050	S.RES ERJ2GEJ 103 X (10 k)	B	36.5/20
R578	7030008400	S.RES ERJ2GEJ 182 X (1.8 k)	B	37.3/24.1
R579	7030010040	S.RES ERJ2GEJ-JPW	B	66.3/12.7
R581	7030005090	S.RES ERJ2GEJ 104 X (100 k)	T	58.3/7.7
R582	7030007320	S.RES ERJ2GEJ 225 X (2.2 M)	T	36.1/25.7
R583	7030007320	S.RES ERJ2GEJ 225 X (2.2 M)	T	36.1/24.1
R584	7030007320	S.RES ERJ2GEJ 225 X (2.2 M)	T	37/25.7
R585	7030007320	S.RES ERJ2GEJ 225 X (2.2 M)	T	37/24.1
R586	7030005220	S.RES ERJ2GEJ 223 X (22 k)	T	113.1/98.1
R587	7030005220	S.RES ERJ2GEJ 223 X (22 k)	T	111.3/98.1
R588	7030005210	S.RES ERJ2GEJ 822 X (8.2 k)	T	50.6/10.4
R589	7030005160	S.RES ERJ2GEJ 105 X (1 M)	B	33.3/24
R590	7030007320	S.RES ERJ2GEJ 225 X (2.2 M)	T	65.7/5.6
R591	7030007320	S.RES ERJ2GEJ 225 X (2.2 M)	T	74.6/4.4
R592	7030005090	S.RES ERJ2GEJ 104 X (100 k)	T	114.3/101.2
R593	7030005010	S.RES ERJ2GEJ 681 X (680)	T	115.9/103.1
R594	7030005040	S.RES ERJ2GEJ 472 X (4.7 k)	B	59/9.6
R598	7030007320	S.RES ERJ2GEJ 225 X (2.2 M)	B	65/8
R600	7030007320	S.RES ERJ2GEJ 225 X (2.2 M)	B	40/14.3
R608	7030005050	S.RES ERJ2GEJ 103 X (10 k)	T	108.5/101.8
R609	7030005600	S.RES ERJ2GEJ 273 X (27 k)	T	105.3/104.2
R610	7030005050	S.RES ERJ2GEJ 103 X (10 k)	T	106.7/101.8
R611	7030005600	S.RES ERJ2GEJ 273 X (27 k)	T	105.8/101.8
R612	7030005050	S.RES ERJ2GEJ 103 X (10 k)	T	107.6/101.8
R613	7030005600	S.RES ERJ2GEJ 273 X (27 k)	T	105.7/103
R614	7030007320	S.RES ERJ2GEJ 225 X (2.2 M)	B	65/6.4
R615	7030007320	S.RES ERJ2GEJ 225 X (2.2 M)	T	99.4/32.7
R616	7030005050	S.RES ERJ2GEJ 103 X (10 k)	B	65/9.6
R617	7030007300	S.RES ERJ2GEJ 332 X (3.3 k)	T	120.1/41.7
R618	7030005240	S.RES ERJ2GEJ 473 X (47 k)	T	115.4/40.4
R619	7030005000	S.RES ERJ2GEJ 471 X (470)	T	116.6/40.4
R620	7030005050	S.RES ERJ2GEJ 103 X (10 k)	T	121.3/41.9
R621	7030005160	S.RES ERJ2GEJ 105 X (1 M)	T	116.7/44.4
R623	7030007340	S.RES ERJ2GEJ 153 X (15 k)	B	118.5/99.4
R624	7030004980	S.RES ERJ2GEJ 101 X (100)	B	70.2/14.7

[MAIN UNIT]

REF NO.	ORDER NO.	DESCRIPTION	M.	H/V LOCATION
R625	7030005240	S.RES ERJ2GEJ 473 X (47 k)	T	125.9/114.3
R626	7030005240	S.RES ERJ2GEJ 473 X (47 k)	T	120.9/108.1
R627	7030008410	S.RES ERJ2GEJ 392 X (3.9 k)	T	112.5/77.7
R628	7030005090	S.RES ERJ2GEJ 104 X (100 k)	T	70.4/17.9
R630	7030005230	S.RES ERJ2GEJ 334 X (330 k)	T	127.9/107.5
R631	7030005230	S.RES ERJ2GEJ 334 X (330 k)	T	120.9/106.3
R632	7030007350	S.RES ERJ2GEJ 393 X (39 k)	T	114/77.5
R635	7030005230	S.RES ERJ2GEJ 334 X (330 k)	B	122.6/104.9
R637	7030007340	S.RES ERJ2GEJ 153 X (15 k)	B	70.4/16.1
R638	7030005050	S.RES ERJ2GEJ 103 X (10 k)	T	127.5/113.4
R639	7030005120	S.RES ERJ2GEJ 102 X (1 k)	T	122.5/107.2
R640	7030009290	S.RES ERJ2GEJ 562 X (5.6 k)	B	59.7/17.7
R641	7030005090	S.RES ERJ2GEJ 104 X (100 k)	T	128.3/108.7
R642	7030005090	S.RES ERJ2GEJ 104 X (100 k)	T	123.2/111.8
R643	7030007340	S.RES ERJ2GEJ 153 X (15 k)	B	70.4/17
R644	7030005050	S.RES ERJ2GEJ 103 X (10 k)	T	114.4/76.3
R645	7030007350	S.RES ERJ2GEJ 393 X (39 k)	T	114.9/77.5
R647	7030005090	S.RES ERJ2GEJ 104 X (100 k)	B	127.6/109.2
R649	7030005210	S.RES ERJ2GEJ 822 X (8.2 k)	T	125/107.7
R653	7030009280	S.RES ERJ2GEJ 391 X	T	128.7/103.9
R658	7030009280	S.RES ERJ2GEJ 391 X	T	128.7/116.1
R659	7030000100	S.RES MCR10EZHZ 4.7 (4R7)	T	124.8/142.5
R660	7030005090	S.RES ERJ2GEJ 104 X (100 k)	T	61.4/17.2
R661	7030000100	S.RES MCR10EZHZ 4.7 (4R7)	T	104.7/145.9
R663	7030005230	S.RES ERJ2GEJ 334 X (330 k)	T	125.2/106.3
R664	7030005090	S.RES ERJ2GEJ 104 X (100 k)	T	61.4/18.8
R665	7030008010	S.RES ERJ2GEJ 123 X (12 k)	T	122.6/144.3
R677	7030005050	S.RES ERJ2GEJ 103 X (10 k)	B	75.9/47.6
R678	7030005050	S.RES ERJ2GEJ 103 X (10 k)	B	65.8/45.9
R679	7030005700	S.RES ERJ2GEJ 274 X (270 k)	B	68.5/46.8
R680	7030010040	S.RES ERJ2GEJ-JPW	B	64.6/44.8
R681	7030005530	S.RES ERJ2GEJ 100 X (10)	B	73.5/46
R682	7030007060	S.RES ERJ2GEJ 684X (680 k)	B	71.8/46.7
R683	7030005050	S.RES ERJ2GEJ 103 X (10 k)	B	70.6/40.9
R684	7030005220	S.RES ERJ2GEJ 223 X (22 k)	B	75/47.6
R685	7030007250	S.RES ERJ2GEJ 220 X (22)	T	75.1/45.7
R686	7030005050	S.RES ERJ2GEJ 103 X (10 k)	B	68.1/49.8
R688	7030005050	S.RES ERJ2GEJ 103 X (10 k)	B	67.4/48.8
R690	7030005050	S.RES ERJ2GEJ 103 X (10 k)	B	67.4/47.9
R694	7030005030	S.RES ERJ2GEJ 152 X (1.5 k)	T	72/37.5
R695	7030004980	S.RES ERJ2GEJ 101 X (100)	T	72.8/36.6
R696	7030007570	S.RES ERJ2GEJ 122 X (1.2 k)	T	71.5/36.3
R697	7030007570	S.RES ERJ2GEJ 122 X (1.2 k)	T	74.6/35.1
R698	7030007570	S.RES ERJ2GEJ 122 X (1.2 k)	T	72.4/34.7
R699	7030005120	S.RES ERJ2GEJ 102 X (1 k)	T	80.6/44.6
R700	7030005090	S.RES ERJ2GEJ 104 X (100 k)	T	79.3/41.8
R701	7030007320	S.RES ERJ2GEJ 225 X (2.2 M)	T	82.2/44.6
R702	7030005090	S.RES ERJ2GEJ 104 X (100 k)	T	81.8/43.4
R703	7030005240	S.RES ERJ2GEJ 473 X (47 k)	T	85.7/35
R704	7030005120	S.RES ERJ2GEJ 102 X (1 k)	T	83.6/35.8
R705	7030005040	S.RES ERJ2GEJ 472 X (4.7 k)	T	84/38.5
R706	7030009530	S.RES ERJ2GEJ 270 X (27)	T	84.9/58.4
R707	7030007320	S.RES ERJ2GEJ 225 X (2.2 M)	T	75.2/49.2
R708	7030005050	S.RES ERJ2GEJ 103 X (10 k)	T	88.1/39.3
R709	7030010040	S.RES ERJ2GEJ-JPW	T	85.3/61.3
R710	7030007260	S.RES ERJ2GEJ 330 X (33)	T	84.9/57.5
R711	7030009530	S.RES ERJ2GEJ 270 X (27)	T	83.3/58.4
R712	7030004970	S.RES ERJ2GEJ 470 X (47)	T	86.9/44.2
R713	7030005050	S.RES ERJ2GEJ 103 X (10 k)	T	86.9/42.6
R714	7030009270	S.RES ERJ2GEJ 821 X (820)	T	90.3/39.1
R716	7030010040	S.RES ERJ2GEJ-JPW	T	84.5/62.9
R717	7030005710	S.RES ERJ2GEJ 121 X (120)	T	90.3/42.3
R718	7030005120	S.RES ERJ2GEJ 102 X (1 k)	T	83.6/57.2
R719	7030005120	S.RES ERJ2GEJ 102 X (1 k)	T	83.7/47.6
R720	7030005040	S.RES ERJ2GEJ 472 X (4.7 k)	T	86.3/63.8
R721	7030004990	S.RES ERJ2GEJ 221 X (220)	T	82.3/47.6
R722	7030007290	S.RES ERJ2GEJ 222 X (2.2 k)	T	82.5/60.3
R723	7030005050	S.RES ERJ2GEJ 103 X (10 k)	T	88.7/45.3
R724	7030008400	S.RES ERJ2GEJ 182 X (1.8 k)	T	90.3/45.3
R725	7030005050	S.RES ERJ2GEJ 103 X (10 k)	T	85.3/49.2
R726	7030005220	S.RES ERJ2GEJ 223 X (22 k)	T	84.9/48
R727	7030005120	S.RES ERJ2GEJ 102 X (1 k)	T	88.7/44.4
R728	7030005010	S.RES ERJ2GEJ 681 X (680)	T	87.7/49.5
R733	7030005040	S.RES ERJ2GEJ 472 X (4.7 k)	T	84.6/70.7
R734	7030007290	S.RES ERJ2GEJ 222 X (2.2 k)	T	80.7/68.3
R737	7030010040	S.RES ERJ2GEJ-JPW	T	88.6/61.3
R738	7030005040	S.RES ERJ2GEJ 472 X (4.7 k)	T	78.8/70.8

[MAIN UNIT]

REF NO.	ORDER NO.	DESCRIPTION	M.	H/V LOCATION
R773	7030009140	S.RES ERJ2GEJ 272 X (2.7 k)	T	73.5/20.6
R774	7030007340	S.RES ERJ2GEJ 153 X (15 k)	T	72.5/18.8
R775	7030005170	S.RES ERJ2GEJ 474 X (470 k)	T	72.3/20
R777	7030005110	S.RES ERJ2GEJ 224 X (220 k)	B	103.4/36.7
R778	7030005110	S.RES ERJ2GEJ 224 X (220 k)	B	105/36.7
R779	7030005110	S.RES ERJ2GEJ 224 X (220 k)	B	104.8/28.2
R780	7030005090	S.RES ERJ2GEJ 104 X (100 k)	B	104.8/27.3
R781	7030005050	S.RES ERJ2GEJ 103 X (10 k)	B	103.2/27.3
R782	7030005090	S.RES ERJ2GEJ 104 X (100 k)	B	107/33.3
R783	7030005090	S.RES ERJ2GEJ 104 X (100 k)	B	107/31.6
R784	7030005090	S.RES ERJ2GEJ 104 X (100 k)	T	70.4/17
R785	7030007290	S.RES ERJ2GEJ 222 X (2.2 k)	T	64.4/22.2
R786	7030006610	S.RES ERJ2GEJ 394 X (390 k)	B	74.6/11.8
R787	7030007340	S.RES ERJ2GEJ 153 X (15 k)	B	102.3/30
R788	7030005050	S.RES ERJ2GEJ 103 X (10 k)	B	101.9/32.1
R789	7030005120	S.RES ERJ2GEJ 102 X (1 k)	T	118.9/142.1
R790	7030004980	S.RES ERJ2GEJ 101 X (100)	T	66.9/91.5
R791	7030004980	S.RES ERJ2GEJ 101 X (100)	T	66.9/90.2
R792	7030004980	S.RES ERJ2GEJ 101 X (100)	T	17.5/91.7
R793	7030004980	S.RES ERJ2GEJ 101 X (100)	T	17.5/89.5
R794	7030005220	S.RES ERJ2GEJ 223 X (22 k)	B	12.9/67.6
R795	7030005220	S.RES ERJ2GEJ 223 X (22 k)	B	58/68.4
R796	7030007320	S.RES ERJ2GEJ 225 X (2.2 M)	T	98.2/31
R797	7030005110	S.RES ERJ2GEJ 224 X (220 k)	T	101.9/28.3
R798	7030005110	S.RES ERJ2GEJ 224 X (220 k)	T	100.6/30.1
R799	7030005110	S.RES ERJ2GEJ 224 X (220 k)	T	98.4/28.3
R800	7030005110	S.RES ERJ2GEJ 224 X (220 k)	T	99.4/30.5
R801	7030005530	S.RES ERJ2GEJ 100 X (10)	B	27.3/24.8
R802	7030007290	S.RES ERJ2GEJ 222 X (2.2 k)	B	36.5/21.6
R804	7030008290	S.RES ERJ2GEJ 183 X (18 k)	T	72.5/17
R805	7030008290	S.RES ERJ2GEJ 183 X (18 k)	B	60.8/27.3
R806	7030005220	S.RES ERJ2GEJ 223 X (22 k)	B	60.6/24.8
R807	7030005110	S.RES ERJ2GEJ 224 X (220 k)	B	56.4/27.3
R808	7030005070	S.RES ERJ2GEJ 683 X (68 k)	B	55.9/26.1
R809	7030005110	S.RES ERJ2GEJ 224 X (220 k)	B	45.1/32.8
R810	7030005090	S.RES ERJ2GEJ 104 X (100 k)	B	60.1/26
R811	7030007300	S.RES ERJ2GEJ 332 X (3.3 k)	T	9.8/66
R812	7410001230	S.ARY EXB28V101JX	B	101.8/78.4
R813	7410001230	S.ARY EXB28V101JX	B	108.8/60.7
R814	7410001230	S.ARY EXB28V101JX	B	100/76.6
R815	7030005090	S.RES ERJ2GEJ 104 X (100 k)	B	123.3/85.8
R816	7030005090	S.RES ERJ2GEJ 104 X (100 k)	B	121.9/87.9
R817	7030005240	S.RES ERJ2GEJ 473 X (47 k)	T	120.4/79.4
R818	7030005240	S.RES ERJ2GEJ 473 X (47 k)	T	120.4/78.5
R819	7030005240	S.RES ERJ2GEJ 473 X (47 k)	T	120.4/77.6
R820	7030005160	S.RES ERJ2GEJ 105 X (1 M)	B	123.4/53.5
R821	7030007340	S.RES ERJ2GEJ 153 X (15 k)	T	120.7/53.1
R822	7030008410	S.RES ERJ2GEJ 392 X (3.9 k)	T	120.7/54
R823	7030006610	S.RES ERJ2GEJ 394 X (390 k)	T	105.3/53.9
R825	7030004980	S.RES ERJ2GEJ 101 X (100)	T	120.3/67.9
R826	7030006610	S.RES ERJ2GEJ 394 X (390 k)	T	104.4/53.9
R827	7030006610	S.RES ERJ2GEJ 394 X (390 k)	T	112.6/53.7
R828	7030010040	S.RES ERJ2GEJ-JPW	T	114.7/105.4
R829	7030005090	S.RES ERJ2GEJ 104 X (100 k)	T	109.4/99.5
R830	7030004980	S.RES ERJ2GEJ 101 X (100)	B	128.7/69.6
R831	7410001230	S.ARY EXB28V101JX	B	119/86.6
R832	7030004980	S.RES ERJ2GEJ 101 X (100)	B	120/85.1
R833	7030004980	S.RES ERJ2GEJ 101 X (100)	B	120.7/84.5
R835	7030004980	S.RES ERJ2GEJ 101 X (100)	T	127.8/73.5
R836	7030004980	S.RES ERJ2GEJ 101 X (100)	T	127.6/75.5
R838	7410001230	S.ARY EXB28V101JX	B	118.8/59.3
R839	7030004980	S.RES ERJ2GEJ 101 X (100)	B	117.7/57.9
R840	7030005120	S.RES ERJ2GEJ 102 X (1 k)	B	71.2/37.7
R841	7030005050	S.RES ERJ2GEJ 103 X (10 k)	T	73.3/34.7
R842	7030005240	S.RES ERJ2GEJ 473 X (47 k)	B	67.2/34.9
R843	7030005060	S.RES ERJ2GEJ 333 X (33 k)	B	68.6/35.3
R844	7030005120	S.RES ERJ2GEJ 102 X (1 k)	B	30.2/31.5
R845	7030005240	S.RES ERJ2GEJ 473 X (47 k)	B	27.8/36.6
R846	7030005050	S.RES ERJ2GEJ 103 X (10 k)	T	27.4/35.2
R847	7030005060	S.RES ERJ2GEJ 333 X (33 k)	B	29.1/36.2
R848	7030005050	S.RES ERJ2GEJ 103 X (10 k)	T	74.8/39.3
R849	7030005050	S.RES ERJ2GEJ 103 X (10 k)	T	28.6/41.4
R850	7030008300	S.RES ERJ2GEJ 184 X (180 k)	T	112.7/119.5
R851	7030005240	S.RES ERJ2GEJ 473 X (47 k)	T	121.4/82.5
R852	7520000250	S.POS PRF18BE471QB1RB	T	78.7/149.4
R853	7520000250	S.POS PRF18BE471QB1RB	T	42.6/138.9
R856	7030004980	S.RES ERJ2GEJ 101 X (100)	T	36.5/122.7
R857	7030010040	S.RES ERJ2GEJ-JPW	T	34.2/117.5
R858	7030005170	S.RES ERJ2GEJ 474 X (470 k)	T	124.8/25.7
R859	7030005170	S.RES ERJ2GEJ 474 X (470 k)	T	121.7/26.1
R860	7030005240	S.RES ERJ2GEJ 473 X (47 k)	T	107.3/81.1
R861	7030005240	S.RES ERJ2GEJ 473 X (47 k)	T	104.1/70.1
R862	7030005160	S.RES ERJ2GEJ 105 X (1 M)	T	114.3/100.3
R863	7030005240	S.RES ERJ2GEJ 473 X (47 k)	T	108.9/79.7
R864	7030005240	S.RES ERJ2GEJ 473 X (47 k)	B	105.2/84.3
R865	7030005050	S.RES ERJ2GEJ 103 X (10 k)	T	121.1/69.9
R866	7030005050	S.RES ERJ2GEJ 103 X (10 k)	T	121.5/65.5
R867	7030005050	S.RES ERJ2GEJ 103 X (10 k)	T	121.5/63
R868	7030005090	S.RES ERJ2GEJ 104 X (100 k)	B	114.8/52.8
R869	7030010040	S.RES ERJ2GEJ-JPW	T	70.6/43
R870	7030010040	S.RES ERJ2GEJ-JPW	T	74.8/42.2
R871	7030005090	S.RES ERJ2GEJ 104 X (100 k)	T	111.9/118.6
R872	7030005220	S.RES ERJ2GEJ 223 X (22 k)	T	111.9/117.7
R873	7030005050	S.RES ERJ2GEJ 103 X (10 k)	T	71/19
R874	7030005050	S.RES ERJ2GEJ 103 X (10 k)	B	100.6/97.7
R875	7030005120	S.RES ERJ2GEJ 102 X (1 k)	T	46.1/126.9
R876	7030005090	S.RES ERJ2GEJ 104 X (100 k)	T	49.6/118.5
R877	7030010040	S.RES ERJ2GEJ-JPW	T	37/138.3
R878	7030005110	S.RES ERJ2GEJ 224 X (220 k)	T	100.5/38.1
R879	7030005110	S.RES ERJ2GEJ 224 X (220 k)	T	99.4/37.2
R880	7030006610	S.RES ERJ2GEJ 394 X (390 k)	T	107.7/57.2
R881	7030006610	S.RES ERJ2GEJ 394 X (390 k)	T	103/55.8
R882	7030006610	S.RES ERJ2GEJ 394 X (390 k)	T	111.6/55.4
R883	7030010040	S.RES ERJ2GEJ-JPW	T	128.5/58.9

[MAIN UNIT]

REF NO.	ORDER NO.	DESCRIPTION	M.	H/V LOCATION
R884	7510001770	S.TMR NTCG10 4LH 473JT	T	52.7/61.2
R885	7510001770	S.TMR NTCG10 4LH 473JT	T	7.3/60.4
C1	4030016930	S.CER ECJ0EB1A104K	B	97.3/104
C2	4030016930	S.CER ECJ0EB1A104K	T	8/119
C3	4030017460	S.CER ECJ0EB1E102K	B	99/99.7
C4	4030016930	S.CER ECJ0EB1A104K	T	20.7/111.9
C5	4030017460	S.CER ECJ0EB1E102K	B	87.2/107.1
C6	4030017460	S.CER ECJ0EB1E102K	T	5.8/89.1
C7	4030017460	S.CER ECJ0EB1E102K	T	103.6/85.8
C8	4030017460	S.CER ECJ0EB1E102K	T	90/74.9
C9	4030017460	S.CER ECJ0EB1E102K	T	46.6/82.9
C10	4030017460	S.CER ECJ0EB1E102K	T	17.7/97.7
C11	4030017460	S.CER ECJ0EB1E102K	T	72.4/96.3
C12	4030017430	S.CER ECJ0EC1H101J	T	12.8/99.3
C13	4030017560	S.CER ECJ0EC1H2R5B	T	14.1/99
C14	4030017560	S.CER ECJ0EC1H2R5B	T	72.8/100.5
C15	4030017570	S.CER ECJ0EC1H040B	T	10.4/100.2
C16	4030017460	S.CER ECJ0EB1E102K	T	85.9/77.8
C17	4030016930	S.CER ECJ0EB1A104K	T	104.1/102.8
C18	4030016930	S.CER ECJ0EB1A104K	T	19.3/128.7
C19	4030017460	S.CER ECJ0EB1E102K	B	88/88.4
C21	4030017460	S.CER ECJ0EB1E102K	T	18.2/100.4
C23	4030017460	S.CER ECJ0EB1E102K	T	77.3/96.8
C24	4030017570	S.CER ECJ0EC1H040B	T	11/105
C25	4030017560	S.CER ECJ0EC1H2R5B	T	15.3/99.3
C26	4030017560	S.CER ECJ0EC1H2R5B	T	73.9/99.4
C27	4030017340	S.CER ECJ0EC1H010B	T	10.6/107.1
C28	4030017460	S.CER ECJ0EB1E102K	T	18.2/102.9
C29	4030017530	S.CER ECJ0EC1H0R5B	T	14.1/103.8
C30	4030017460	S.CER ECJ0EB1E102K	T	53.9/29.8
C31	4030017660	S.CER ECJ0EC1H330J	B	88.6/65.7
C32	4030017530	S.CER ECJ0EC1H0R5B	T	15.8/103.8
C33	4030017590	S.CER ECJ0EC1H070C	T	17/102.5
C34	4030017590	S.CER ECJ0EC1H070C	T	77.3/99.9
C35	4030017460	S.CER ECJ0EB1E102K	T	10.6/106.2
C36	4030017520	S.CER ECJ0EC1H0R3J	T	76.8/102.9
C37	4030017640	S.CER ECJ0EC1H150J	T	17/105.2
C38	4030017530	S.CER ECJ0EC1H0R5B	T	78/101.8
C39	4030017460	S.CER ECJ0EB1E102K	T	78/99.3
C40	4030017460	S.CER ECJ0EB1E102K	T	18.2/104.7
C41	4030017640	S.CER ECJ0EC1H150J	T	79.9/102.5
C43	4030017670	S.CER ECJ0EC1H390J	B	90.1/65.7
C44	4030016930	S.CER ECJ0EB1A104K	T	35.2/76.2
C45	4030017460	S.CER ECJ0EB1E102K	T	80.4/101.7
C46	4030017600	S.CER ECJ0EC1H080C	T	14.1/107.7
C47	4030017460	S.CER ECJ0EB1E102K	T	18.9/108.7
C48	4030017570	S.CER ECJ0EC1H040B	T	14.6/109.1
C49	4030017600	S.CER ECJ0EC1H080C	T	79.6/105.7
C50	4030017570	S.CER ECJ0EC1H040B	T	81.4/107
C51	4030017460	S.CER ECJ0EB1E102K	T	83.3/103.4
C53	4030017340	S.CER ECJ0EC1H010B	T	11.4/113.1
C54	4030017660	S.CER ECJ0EC1H330J	B	89.4/69
C55	4030017610	S.CER ECJ0EC1H090C	T	15.3/108.1
C56	4030017610	S.CER ECJ0EC1H090C	T	80.7/106.3
C57	4030017340	S.CER ECJ0EC1H010B	T	11.1/115.3
C58	4030017460	S.CER ECJ0EB1E102K	T	17/110
C59	4030017460	S.CER ECJ0EB1E102K	B	92.1/71.5
C60	4030017640	S.CER ECJ0EC1H150J	B	45.2/68.8
C61	4030017460	S.CER ECJ0EB1E102K	T	17.5/112.4
C62	4030017460	S.CER ECJ0EB1E102K	T	83.3/106
C63	4030017460	S.CER ECJ0EB1E102K	T	85.6/105.6
C64	4030017370	S.CER ECJ0EC1H3R5B	T	11.1/120.2
C65	4030017460	S.CER ECJ0EB1E102K	B	90.3/70.7
C66	4030017460	S.CER ECJ0EB1E102K	T	16/114.6
C67	4030017550	S.CER ECJ0EC1H1R5B	T	10.6/121.4
C68	4030017460	S.CER ECJ0EB1E102K	B	42.6/73.9
C69	4030017460	S.CER ECJ0EB1E102K	B	78.4/76.5
C70	4030017620	S.CER ECJ0EC1H100C	B	43.4/69.7
C71	4030017600	S.CER ECJ0EC1H080C	T	15.7/115.8
C72	4030017460	S.CER ECJ0EB1E102K	T	12.3/128.1
C73	4030017460	S.CER ECJ0EB1E102K	T	13/122.9
C74	4030017460	S.CER ECJ0EB1E102K	T	12.7/115.5
C75	4030017460	S.CER ECJ0EB1E102K	T	88/104.1
C76	4030017460	S.CER ECJ0EB1E102K	T	86.8/109.4
C77	4030017360	S.CER ECJ0EC1H030B	T	17/116.2
C78	4030017600	S.CER ECJ0EC1H080C	T	89.6/107
C79	4030017460	S.CER ECJ0EB1E102K	B	79.8/76.1
C80	4510008520	S.LEE EEE1CA470SP	T	51.8/128.3
C81	4030017460	S.CER ECJ0EB1E102K	B	87.5/71.9
C82	4030017360	S.CER ECJ0EC1H030B	T	90.9/106.5
C83	4030017460	S.CER ECJ0EB1E102K	B	82.4/74.4
C84	4030017350	S.CER ECJ0EC1H020B	B	86.

[MAIN UNIT]

REF NO.	ORDER NO.	DESCRIPTION	M.	H/V LOCATION
C105	4030017590	S.CER ECJ0EC1H070C	T	97.4/104.4
C106	4030017460	S.CER ECJ0EB1E102K	T	97.3/103.2
C107	4030017460	S.CER ECJ0EB1E102K	T	19.8/123.3
C108	4030017460	S.CER ECJ0EB1E102K	T	100.3/102
C109	4030017650	S.CER ECJ0EC1H270J	B	84.5/77.3
C110	4030017630	S.CER ECJ0EC1H120J	B	85.7/77.9
C111	4030017460	S.CER ECJ0EB1E102K	B	36/79.9
C112	4030017360	S.CER ECJ0EC1H030B	T	15.9/123.9
C113	4030017360	S.CER ECJ0EC1H030B	T	100/105.7
C114	4030017550	S.CER ECJ0EC1H1R5B	T	14.7/124.3
C115	4030017550	S.CER ECJ0EC1H1R5B	T	98.1/108.4
C116	4030017460	S.CER ECJ0EB1E102K	T	102.2/108.6
C117	4030017460	S.CER ECJ0EB1E102K	T	15.7/129
C118	4030017460	S.CER ECJ0EB1E102K	T	98.1/110
C119	4030017460	S.CER ECJ0EB1E102K	T	103.1/108.6
C120	4030017460	S.CER ECJ0EB1E102K	T	18.3/126.7
C121	4030017460	S.CER ECJ0EB1E102K	B	79.1/80.6
C122	4030017460	S.CER ECJ0EB1E102K	B	35.2/75.3
C123	4030017590	S.CER ECJ0EC1H070C	B	42.8/82.9
C124	4030017350	S.CER ECJ0EC1H020B	B	41.5/84.3
C125	4030017350	S.CER ECJ0EC1H020B	B	40/84.3
C126	4030017350	S.CER ECJ0EC1H020B	T	99/116.1
C127	4030017460	S.CER ECJ0EB1E102K	T	29.8/130.1
C128	4030017460	S.CER ECJ0EB1E102K	T	99.4/114.4
C129	4030017460	S.CER ECJ0EB1E102K	B	78.7/75.3
C130	4030017460	S.CER ECJ0EB1E102K	B	80.7/80.6
C131	4030017660	S.CER ECJ0EC1H330J	B	87.3/83.9
C132	4030017620	S.CER ECJ0EC1H100C	B	86.8/85.1
C133	4030017350	S.CER ECJ0EC1H020B	T	25/129.2
C134	4510008540	S.ELE EEE1CA100SR	T	79.5/77.4
C135	4030017460	S.CER ECJ0EB1E102K	T	27.4/136
C136	4030017460	S.CER ECJ0EB1E102K	T	28.7/132.3
C137	4030017460	S.CER ECJ0EB1E102K	T	26.1/132.1
C138	4030017460	S.CER ECJ0EB1E102K	B	99.5/96.1
C139	4030017460	S.CER ECJ0EB1E102K	T	103.9/114.8
C140	4030017460	S.CER ECJ0EB1E102K	T	103/114.8
C141	4030017390	S.CER ECJ0EC1H180J	B	85.4/85.1
C142	4030017460	S.CER ECJ0EB1E102K	B	44/86.7
C143	4030017460	S.CER ECJ0EB1E102K	B	40.1/86.8
C144	4030017460	S.CER ECJ0EB1E102K	B	39.1/89.3
C145	4030017460	S.CER ECJ0EB1E102K	B	44/87.6
C146	4030017360	S.CER ECJ0EC1H030B	T	29.6/134.2
C147	4030017360	S.CER ECJ0EC1H030B	T	104.8/114.8
C148	4030017460	S.CER ECJ0EB1E102K	T	29.1/136.4
C149	4030017460	S.CER ECJ0EB1E102K	T	105.7/115.7
C150	4030017460	S.CER ECJ0EB1E102K	B	38.6/86.8
C151	4030017460	S.CER ECJ0EB1E102K	B	43.6/118.5
C152	4030017460	S.CER ECJ0EB1E102K	T	22.4/129.4
C153	4030017460	S.CER ECJ0EB1E102K	T	49.2/116.4
C154	4030017460	S.CER ECJ0EB1E102K	B	87.9/114.5
C155	4030011160	S.CER GRM31M2C2H150JV01L	B	84.8/124.7
C156	4030017460	S.CER ECJ0EB1E102K	B	46/103.9
C157	4030011210	S.CER GRM31M2C2H330JV01L	B	87.1/133.8
C159	4030017460	S.CER ECJ0EB1E102K	T	62.5/99
C160	4030017360	S.CER ECJ0EC1H030B	T	22.3/99.2
C161	4030011020	S.CER GRM31M4C2H1R0CY21L	B	83.6/131.4
C162	4030011140	S.CER GRM31M2C2H120JV01L	B	80.2/133.9
C163	4030017600	S.CER ECJ0EC1H080C	T	26.1/99.8
C164	4030017460	S.CER ECJ0EB1E102K	B	78.5/132.3
C165	4030017460	S.CER ECJ0EB1E102K	B	83.6/88.3
C166	4030011020	S.CER GRM31M4C2H1R0CY21L	B	36.4/121.4
C167	4030017460	S.CER ECJ0EB1E102K	T	53.6/98.9
C168	4030017360	S.CER ECJ0EC1H030B	T	68.6/97.6
C169	4030017600	S.CER ECJ0EC1H080C	T	67.2/99.6
C170	4030017460	S.CER ECJ0EB1E102K	T	57.1/98.1
C171	4030017460	S.CER ECJ0EB1E102K	T	60/98.9
C173	4030011020	S.CER GRM31M4C2H1R0CY21L	B	40.5/118.2
C174	4030011150	S.CER GRM31M2C2H130JV01L	B	37.1/116.7
C175	4030017430	S.CER ECJ0EC1H101J	T	29.6/103.1
C176	4030017460	S.CER ECJ0EB1E102K	B	39.2/114.9
C178	4550002980	S.TAN TEESVA 1C 225M8R	B	37.6/102.3
C179	4030017460	S.CER ECJ0EB1E102K	T	30.5/104.7
C181	4030017430	S.CER ECJ0EC1H101J	T	69.4/102.5
C182	4030017530	S.CER ECJ0EC1H0R5B	T	31.4/100.5
C183	4030017460	S.CER ECJ0EB1E102K	B	35.5/105
C184	4030017460	S.CER ECJ0EB1E102K	T	71.1/102.5
C185	4030017660	S.CER ECJ0EC1H330J	T	31.4/102.1
C186	4030017460	S.CER ECJ0EB1E102K	B	75/133
C187	4030017530	S.CER ECJ0EC1H0R5B	T	66.1/104.1
C188	4030017660	S.CER ECJ0EC1H330J	T	69.4/104.1
C189	4030017460	S.CER ECJ0EB1E102K	T	33.2/103.9
C190	4030017460	S.CER ECJ0EB1E102K	B	33.7/106.6
C191	4030017430	S.CER ECJ0EC1H101J	T	33.2/103
C192	4550002980	S.TAN TEESVA 1C 225M8R	B	89.7/89.9
C193	4030017460	S.CER ECJ0EB1E102K	T	71.2/105.8
C194	4030017460	S.CER ECJ0EB1E102K	T	56.9/100.3
C195	4030017430	S.CER ECJ0EC1H101J	T	69.5/105.7
C196	4030017370	S.CER ECJ0EC1H3R5B	T	53.6/102.1
C197	4030017460	S.CER ECJ0EB1E102K	T	63.4/100.3
C198	4030011020	S.CER GRM31M4C2H1R0CY21L	B	79.7/139.9
C199	4030017460	S.CER ECJ0EB1E102K	B	40.8/112.1
C200	4030017360	S.CER ECJ0EC1H030B	T	60/102.1
C202	4030011020	S.CER GRM31M4C2H1R0CY21L	B	79.7/137.5
C203	4030011120	S.CER GRM31M2C2H100JV01L	B	74.8/137.1
C205	4030017430	S.CER ECJ0EC1H101J	T	54.8/102.5
C206	4030017460	S.CER ECJ0EB1E102K	T	67.4/107.6
C207	4030017460	S.CER ECJ0EB1E102K	T	35.6/102.8
C208	4030017460	S.CER ECJ0EB1E102K	T	37.3/103.1
C209	4030016950	S.CER ECJ0EB1A473K	B	35.5/106.6
C210	4030017460	S.CER ECJ0EB1E102K	B	34.6/109.1
C211	4030017430	S.CER ECJ0EC1H101J	T	61.2/102.5
C212	4030017460	S.CER ECJ0EB1E102K	B	76.8/139
C213	4030017460	S.CER ECJ0EB1E102K	T	56/104.8
C214	4030011060	S.CER GRM31M2C2H4R0CY21L	B	40.5/121.6

[MAIN UNIT]

REF NO.	ORDER NO.	DESCRIPTION	M.	H/V LOCATION
C215	4030017460	S.CER ECJ0EB1E102K	T	72.5/107.6
C216	4030016930	S.CER ECJ0EB1A104K	B	35.5/109.1
C217	4030017460	S.CER ECJ0EB1E102K	T	62.4/104.8
C218	4030017460	S.CER ECJ0EB1E102K	T	38.5/103.3
C219	4030017460	S.CER ECJ0EB1E102K	T	72.1/109.2
C220	4030017460	S.CER ECJ0EB1E102K	B	86.9/143.8
C221	4030017460	S.CER ECJ0EB1E102K	B	40.8/111.2
C222	4030017460	S.CER ECJ0EB1E102K	T	58.1/104
C223	4030017460	S.CER ECJ0EB1E102K	T	64.6/104
C224	4030011060	S.CER GRM31M2C2H4R0CY21L	B	37.4/131.1
C225	4510008110	S.ELE 16 CE 22 BS	T	82.7/142.6
C226	4030017460	S.CER ECJ0EB1E102K	B	73/139.6
C227	4030017200	S.CER GRM31BR32J102KY01L	B	80.5/143.3
C228	4030016790	S.CER ECJ0EB1C103K	B	43.3/102.5
C229	4030017460	S.CER ECJ0EB1E102K	T	40.3/106.5
C230	4030017460	S.CER ECJ0EB1E102K	B	44.2/123.3
C231	4030017460	S.CER ECJ0EB1E102K	B	28.5/136
C232	4030017460	S.CER ECJ0EB1E102K	B	43/110.8
C233	4030017460	S.CER ECJ0EB1E102K	T	49.0/107.2
C234	4030017360	S.CER ECJ0EC1H030B	T	54.9/107.7
C235	4030017460	S.CER ECJ0EB1E102K	T	68.6/109.8
C236	4030017600	S.CER ECJ0EC1H080C	T	42.5/108.7
C237	4030017460	S.CER ECJ0EB1E102K	T	60.1/109
C238	4030016930	S.CER ECJ0EB1A104K	B	43/109.9
C239	4030017360	S.CER ECJ0EC1H030B	T	61.3/107.7
C240	4030017460	S.CER ECJ0EB1E102K	B	86.9/146.1
C241	4030016950	S.CER ECJ0EB1A473K	B	44/107.8
C242	4030017600	S.CER ECJ0EC1H080C	T	73.3/112.9
C243	4030017460	S.CER ECJ0EB1E102K	T	65.4/110.2
C244	4030017460	S.CER ECJ0EB1E102K	T	72.1/110.8
C246	4030017460	S.CER ECJ0EB1E102K	B	88.5/87.3
C247	4030017430	S.CER ECJ0EC1H101J	T	63.8/109.4
C249	4030017430	S.CER ECJ0EC1H101J	T	57.3/109.4
C251	4030017460	S.CER ECJ0EB1E102K	T	38.2/138.8
C252	4030017430	S.CER ECJ0EC1H101J	T	45.9/108.1
C253	4030017370	S.CER ECJ0EC1H3R5B	T	60.4/110.9
C254	4030017460	S.CER ECJ0EB1E102K	B	45.6/110.2
C255	4030017370	S.CER ECJ0EC1H3R5B	T	53.9/110.7
C256	4030017430	S.CER ECJ0EC1H101J	T	76.5/115.8
C257	4030017460	S.CER ECJ0EB1E102K	T	46.4/106.4
C258	4030017540	S.CER ECJ0EC1HR75K	T	47.3/110.9
C259	4030017460	S.CER ECJ0EB1E102K	T	78.6/117
C260	4030017530	S.CER ECJ0EC1H0R5B	T	72.5/117.5
C261	4030017660	S.CER ECJ0EC1H330J	T	75.8/117.5
C262	4030017660	S.CER ECJ0EC1H330J	T	47.3/109.3
C263	4030017460	S.CER ECJ0EB1E102K	B	73.3/134.7
C264	4030017460	S.CER ECJ0EB1E102K	T	48.2/106.9
C265	4030017460	S.CER ECJ0EB1E102K	B	32.4/133.8
C266	4030011160	S.CER GRM31M2C2H150JV01L	B	78.7/147.2
C267	4030017460	S.CER ECJ0EB1E102K	T	78.2/118.4
C268	4030017430	S.CER ECJ0EC1H101J	T	48.6/108.1
C270	4510008110	S.ELE 16 CE 22 BS	T	43.8/130.3
C271	4030017430	S.CER ECJ0EC1H101J	T	77/118.8
C272	4030011020	S.CER GRM31M4C2H1R0CY21L	B	36.1/134.5
C273	4030011140	S.CER GRM31M2C2H120JV01L	B	32.6/136.7
C274	4030017460	S.CER ECJ0EB1E102K	B	46.3/130.5
C275	4030017190	S.CER GRM31AR32J471KW01D	B	41/134.5
C278	4030017460	S.CER ECJ0EB1E102K	B	46/104.8
C279	4030017430	S.CER ECJ0EC1H101J	T	93/119.9
C280	4030017460	S.CER ECJ0EB1E102K	T	93.4/123.1
C281	4030006960	S.CER C1608 CH 1H 050C-T	B	30.5/142.7
C282	4030017460	S.CER ECJ0EB1E102K	T	56.4/116.1
C283	4030017600	S.CER ECJ0EC1H080C	T	74.2/122.5
C284	4030017460	S.CER ECJ0EB1E102K	T	104.3/106.6
C285	4030017600	S.CER ECJ0EC1H080C	T	53.5/117.5
C286	4030011050	S.CER GRM31M3C2H3R0CY21L	B	40.1/138.1
C287	4030017460	S.CER ECJ0EB1E102K	T	87.6/122.1
C288	4030017570	S.CER ECJ0EC1H040B	T	105.9/121.1
C289	4030017460	S.CER ECJ0EB1E102K	T	74.2/127.5
C290	4030017460	S.CER ECJ0EB1E102K	T	56.9/119.7
C291	4510008110	S.ELE 16 CE 22 BS	T	99.7/123
C292	4030017530	S.CER ECJ0EC1H0R5B	T	93.4/121.1
C293	4030017460	S.CER ECJ0EB1E102K	T	106.4/122.3
C294	4030017460	S.CER ECJ0EB1E102K	T	73.3/123.4
C295	4030017460	S.CER ECJ0EB1E102K	T	54.4/122
C296	4030011080	S.CER GRM31M2C2H6R0DV01L	B	42.6/143.2
C297	4030011730	S.CER GRM31M2C2H101JV01L	B	33.6/146.8
C298	4510008110	S.ELE 16 CE 22 BS	T	112.5/131.5
C299	4030017460	S.CER ECJ0EB1E102K	T	82.5/122.1
C300	4030017440	S.CER ECJ0EC1H221J	T	86.4/119.4
C301	4030017460	S.CER ECJ0EB1E102K	T	101.1/126.6
C303	4030011060	S.CER GRM31M2C2H4R0CY21L	B	42.6/148.3

[MAIN UNIT]

REF NO.	ORDER NO.	DESCRIPTION	M.	H/V LOCATION
C326	4030011220	S.CER GRM31M2C2H360JV01L	B	61.5/144
C327	4030018010	S.CER ECJ0EC1H360J	T	98.4/137
C328	4030017580	S.CER ECJ0EC1H060C	T	105.4/133.9
C329	4030017430	S.CER ECJ0EC1H101J	T	109.1/136.1
C330	4030011190	S.CER GRM31M2C2H270JV01L	B	54/149.3
C331	4030017440	S.CER ECJ0EC1H221J	T	60.6/140.7
C332	4030017650	S.CER ECJ0EC1H270J	T	100.3/138.8
C333	4030017570	S.CER ECJ0EC1H040B	T	105.2/138.4
C334	4030017580	S.CER ECJ0EC1H060C	T	67.7/142.7
C335	4030017660	S.CER ECJ0EC1H330J	T	29.1/152.3
C336	4030017460	S.CER ECJ0EB1E102K	T	67.9/115
C337	4030017550	S.CER ECJ0EC1H1R5B	T	12.6/132.7
C338	4030017580	S.CER ECJ0EC1H060C	T	104.7/140.9
C339	4030017430	S.CER ECJ0EC1H101J	T	10.6/134.3
C340	4030017550	S.CER ECJ0EC1H1R5B	T	14.5/134.8
C341	4030017460	S.CER ECJ0EB1E102K	T	65.9/142.7
C342	4030011070	S.CER GRM31M2C2H5R0CY21L	B	25/152.6
C343	4030017550	S.CER ECJ0EC1H1R5B	T	14.5/136.4
C344	4030017380	S.CER ECJ0EC1H050B	T	100.4/144.6
C345	4030017430	S.CER ECJ0EC1H101J	T	64.7/143.1
C346	4030011090	S.CER GRM31M2C2H7R0DV01L	B	21.7/148.4
C347	4030011040	S.CER GRM31M4C2H2R0CY21L	T	16/139.6
C348	4030017590	S.CER ECJ0EC1H070C	T	100.7/149.7
C349	4030011040	S.CER GRM31M4C2H2R0CY21L	T	16/146.6
C350	4030017460	S.CER ECJ0EB1E102K	T	33.6/146.9
C351	4030017760	S.CER ECJ0EB1H222K	B	111.5/89.8
C352	4030017460	S.CER ECJ0EB1E102K	T	117.4/93.8
C353	4030017460	S.CER ECJ0EB1E102K	T	110/95.4
C354	4030017760	S.CER ECJ0EB1H222K	B	109.7/90.8
C355	4030018920	S.CER ECJ0EB1H392K	T	114.9/92.6
C356	4030018920	S.CER ECJ0EB1H392K	T	107.5/94
C357	4030016970	S.CER ECJ0EB1C223K	B	107.8/91.7
C358	4030018080	S.CER ECJ0EB1H182K	T	113.2/93.3
C359	4030018080	S.CER ECJ0EB1H182K	T	106.2/94.3
C360	4030016780	S.CER ECJ0EB1C153K	T	113.2/92.4
C361	4030016970	S.CER ECJ0EB1C223K	T	113.1/86.9
C362	4030016780	S.CER ECJ0EB1C153K	T	107.5/93.1
C363	4030017460	S.CER ECJ0EB1E102K	T	51/18.9
C364	4030016790	S.CER ECJ0EB1C103K	T	110/83.6
C365	4030018080	S.CER ECJ0EB1H182K	T	114/85.9
C366	4030017460	S.CER ECJ0EB1E102K	B	74.8/28.6
C367	4030017040	S.CER ECJ0EB1A333K	T	111.8/94.5
C368	4030017460	S.CER ECJ0EB1E102K	B	110.6/90.1
C369	4030017460	S.CER ECJ0EB1E102K	T	110.9/94.5
C370	4030017040	S.CER ECJ0EB1A333K	T	111.9/85.9
C371	4030017040	S.CER ECJ0EB1A333K	T	104.4/95.9
C372	4030016790	S.CER ECJ0EB1C103K	B	104.9/88.6
C373	4030018080	S.CER ECJ0EB1H182K	B	103.7/91.6
C374	4030017460	S.CER ECJ0EB1E102K	T	103.5/96.3
C375	4030016780	S.CER ECJ0EB1C153K	T	112.8/91
C376	4030016790	S.CER ECJ0EB1C103K	B	108.8/90.8
C377	4030016780	S.CER ECJ0EB1C153K	T	104.8/93
C378	4030017790	S.CER ECJ0EB1E682K	T	109.1/84.5
C379	4030017040	S.CER ECJ0EB1A333K	B	104.6/90
C380	4030016790	S.CER ECJ0EB1C103K	T	111.6/90.6
C381	4030016790	S.CER ECJ0EB1C103K	T	104.4/91.8
C382	4030017790	S.CER ECJ0EB1E682K	B	104.1/87.2
C383	4030017460	S.CER ECJ0EB1E102K	B	105.3/86.7
C384	4030017460	S.CER ECJ0EB1E102K	T	108.1/91.7
C385	4030017460	S.CER ECJ0EB1E102K	B	20/46.3
C386	4030016790	S.CER ECJ0EB1C103K	B	103.4/85
C387	4030017360	S.CER ECJ0EC1H030B	B	24.4/51.8
C388	4030017460	S.CER ECJ0EB1E102K	T	101.2/92
C389	4030017460	S.CER ECJ0EB1E102K	T	105.3/86.4
C390	4030017460	S.CER ECJ0EB1E102K	T	99/87.9
C392	4030018860	S.CER ECJ0EB0J105K	B	22.8/46.8
C393	4030017590	S.CER ECJ0EC1H070C	B	26/51.8
C394	4550003220	S.TAN TEESVA 1E 105M8R	B	16.5/37.1
C395	4030018860	S.CER ECJ0EB0J105K	B	22.8/45.9
C396	4030017570	S.CER ECJ0EC1H040B	B	26.5/50.1
C397	4030016790	S.CER ECJ0EB1C103K	B	28.6/46.4
C398	4030017500	S.CER ECJ0EC1H560J	B	25.3/49.6
C399	4030016790	S.CER ECJ0EB1C103K	T	109.7/87.2
C400	4030016930	S.CER ECJ0EB1A104K	B	56.6/42.5
C401	4030016930	S.CER ECJ0EB1A104K	T	31.2/45.2
C402	4030017730	S.CER ECJ0EB1E471K	T	50.5/30.1
C403	4030016790	S.CER ECJ0EB1C103K	T	56.3/73.6
C404	4030017460	S.CER ECJ0EB1E102K	B	54/63.8
C405	4030017460	S.CER ECJ0EB1E102K	B	20.5/40.9
C406	4030017380	S.CER ECJ0EC1H050B	B	26/45.9
C407	4030016790	S.CER ECJ0EB1C103K	B	53.7/37.4
C408	4030017620	S.CER ECJ0EC1H100C	B	24.4/40.9
C410	4030016930	S.CER ECJ0EB1A104K	B	22.6/40.9
C411	4030017460	S.CER ECJ0EB1E102K	B	26.7/42.1
C413	4030016930	S.CER ECJ0EB1A104K	B	31.3/50.9
C414	4030017420	S.CER ECJ0EC1H470J	B	29.7/48.8
C415	4030017730	S.CER ECJ0EB1E471K	T	29.5/48
C416	4030017460	S.CER ECJ0EB1E102K	B	54/69.1
C417	4030017460	S.CER ECJ0EB1E102K	B	51/37.4
C418	4030017440	S.CER ECJ0EC1H221J	T	56.1/62.6
C419	4030017440	S.CER ECJ0EC1H221J	T	54.8/61.6
C420	4030018890	S.CER ECJ0EB0J224K	T	30.4/46.5
C421	4030017730	S.CER ECJ0EB1E471K	B	27.7/49.9
C422	4030017620	S.CER ECJ0EC1H100C	T	54.8/63
C423	4030016930	S.CER ECJ0EB1A104K	B	54.1/40.9
C424	4550007260	S.TAN F931C475MAABMA	B	53.8/44.1
C425	4030018860	S.CER ECJ0EB0J105K	T	52.9/39.4
C426	4030016930	S.CER ECJ0EB1A104K	B	54/60.9
C427	4030016790	S.CER ECJ0EB1C103K	T	52.9/41.2
C428	4030016930	S.CER ECJ0EB1A104K	T	56.1/59.4
C429	4030017400	S.CER ECJ0EC1H220J	T	51.9/44.4
C430	4030017360	S.CER ECJ0EC1H030B	T	31.2/48.3
C431	4030017360	S.CER ECJ0EC1H030B	T	31.6/46.5
C432	4030016930	S.CER ECJ0EB1A104K	T	55.3/65.1

[MAIN UNIT]

REF NO.	ORDER NO.	DESCRIPTION	M.	H/V LOCATION
C433	4030017040	S.CER ECJ0EB1A333K	B	56.3/70.2
C434	4030017420	S.CER ECJ0EC1H470J	T	32.6/49.1
C435	4030017680	S.CER ECJ0EC1H820J	B	55.8/68.4
C436	4550006050	S.TAN TEESVA OJ 106M8R	T	56.9/65.9
C437	4030016930	S.CER ECJ0EB1A104K	T	58.8/63.1
C439	4550007080	S.TAN TEESVA 1C 106M8R	B	84.7/42.7
C440	4550007080	S.TAN TEESVA 1C 106M8R	B	28.5/43
C441	4030017570	S.CER ECJ0EC1H040B	T	33.5/49.1
C442	4030016930	S.CER ECJ0EB1A104K	T	53.5/66.8
C443	4030017420	S.CER ECJ0EC1H470J	B	86.7/43.7
C444	4030017460	S.CER ECJ0EB1E102K	T	35.2/46.3
C445	4030017460	S.CER ECJ0EB1E102K	B	61.5/69.3
C446	4030017430	S.CER ECJ0EC1H101J	T	40/49.3
C447	4030016950	S.CER ECJ0EB1A473K	T	25.1/43.5
C448	4030016790	S.CER ECJ0EB1C103K	T	34.4/49.1
C450	4030016790	S.CER ECJ0EB1C103K	B	7/36.8
C451	4550000530	S.TAN TEESVA 1V 104M8R	T	24/36.8
C452	4030017460	S.CER ECJ0EB1E102K	T	28.6/42.3
C453	4550003220	S.TAN TEESVA 1E 105M8R	T	59.3/38.3
C454	4030017460	S.CER ECJ0EB1E102K	B	6.1/36.8
C455	4030016930	S.CER ECJ0EB1A104K	B	11.1/41.2
C456	4550006250	S.TAN TEESVA 1A 106M8R	T	24/34.7
C457	4030016930	S.CER ECJ0EB1A104K	B	38.3/38.6
C458	4550007260	S.TAN F931C475MAABMA	B	7.4/43.2
C459	4030017730	S.CER ECJ0EB1E471K	T	10.5/42.8
C460	4030017460	S.CER ECJ0EB1E102K	B	8.5/63.4
C461	4030017460	S.CER ECJ0EB1E102K	B	62.7/63.5
C462	4030017460	S.CER ECJ0EB1E102K	B	61/67.8
C463	4030016930	S.CER ECJ0EB1A104K	B	7.7/40.3
C464	4030017460	S.CER ECJ0EB1E102K	T	35.1/38.1
C466	4510009120	S.ELE EEE1VA2R2RNR	B	76.5/34.8
C467	4030017460	S.CER ECJ0EB1E102K	B	60.6/66.6
C468	4030017040	S.CER ECJ0EB1A333K	B	11.7/68
C469	4030017420	S.CER ECJ0EC1H470J	B	80.6/42.9
C470	4030018860	S.CER ECJ0EB0J105K	T	5.6/38.5
C471	4030016790	S.CER ECJ0EB1C103K	T	5.6/40.3
C472	4030016790	S.CER ECJ0EB1C103K	B	65.6/66.8
C473	4550000560	S.TAN TEESVA 1V 334M8R	T	31.7/34.7
C474	4030017490	S.CER C1608 JB 1A 105K-T	B	37.3/45.4
C475	4030017440	S.CER ECJ0EC1H221J	T	10.7/61.8
C476	4030017440	S.CER ECJ0EC1H221J	T	9.4/60.8
C477	4030017400	S.CER ECJ0EC1H220J	T	5.4/43.5
C478	4030017460	S.CER ECJ0EB1E102K	B	9.3/68
C479	4030017520	S.CER ECJ0EC1HOR3B	T	39.7/36.9
C480	4030017620	S.CER ECJ0EC1H100C	T	9.4/63.1
C481	4030007080	S.CER C1608 CH 1H 390J-T	T	35/42.5
C482	4030017460	S.CER ECJ0EB1E102K	T	42.2/40
C483	4030017360	S.CER ECJ0EC1H030B	B	67.2/65.9
C484	4030009350	S.CER C1608 CH 1H 3R5B-T	T	41.5/37.7
C486	4030016930	S.CER ECJ0EB1A104K	B	8.3/59.8
C487	4030016930	S.CER ECJ0EB1A104K	T	10.7/58.6
C488	4030007010	S.CER C1608 CH 1H 100D-T	T	38.4/40.9
C489	4030007060	S.CER C1608 CH 1H 270J-T	T	38.4/39.7
C490	4030017460	S.CER ECJ0EB1E102K	T	37/45.5
C491	4030017680	S.CER ECJ0EC1H820J	B	10.5/67.6
C492	4030006990	S.CER C1608 CH 1H 080D-T	T	44.6/36.7
C493	4030007030	S.CER C1608 CH 1H 150J-T	T	44.6/35.4
C495	4030016930	S.CER ECJ0EB1A104K	T	13.5/62.3
C496	4030017460	S.CER ECJ0EB1E102K	T	37/42.2
C497	4030017640	S.CER ECJ0EC1H150J	B	73.7/66.5
C498	4030017340	S.CER ECJ0EC1H010B	T	40.6/40.7
C499	4030017460	S.CER ECJ0EB1E102K	T	41.6/45.9
C500	4030017360	S.CER ECJ0EC1H030B	B	74.4/73
C501	4030017420	S.CER ECJ0EC1H470J	T	35.7/44.6
C502	4030017460	S.CER ECJ0EB1E102K	T	45.9/40
C503	4030016930	S.CER ECJ0EB1A104K	T	18.2/68
C504	4030017460	S.CER ECJ0EB1E102K	T	40/47.7
C506	4550006050	S.TAN TEESVA OJ 106M8R	T	11.6/65.1
C507	4030017630	S.CER ECJ0EC1H120J	B	72.4/74.9
C508	4030017420	S.CER ECJ0EC1H470J	T	42/38.8
C509	4030017530	S.CER ECJ0EC1HOR5B	T	46.1/38.4
C510	4030016930	S.CER ECJ0EB1A104K	T	10/64.3
C511	4030017460	S.CER ECJ0EB1E102K	T	43.6/44.6
C512	4030017400	S.CER ECJ0EC1H220J	T	41.6/46.8
C513	4030017460	S.CER ECJ0EB1E102K	B	17.8/68.5
C514	4030017460	S.CER ECJ0EB1E102K	T	67/81.1
C515	4030017460	S.CER ECJ0EB1E102K	B	18.8/64.4
C516	4030017460	S.CER ECJ0EB1E102K	T	44.1/46.8
C517	4030017460	S.CER ECJ0EB1E102K	B	15.5/66.2
C518	4030016790	S.CER ECJ0EB1C103K	T	64/81.1
C519	4030017460	S.CER ECJ0EB1E102K	B	14.9/67.5
C521	4030017360	S.CER ECJ0EC1H030B	T	45.8/45.2
C522	4030017420	S.CER ECJ0EC1H470J	T	45.8/46.1
C523	4030016790	S.CER ECJ0EB1C103K	B	20.8/66.8
C524	4030017570	S.CER ECJ0EC		

[MAIN UNIT]

REF NO.	ORDER NO.	DESCRIPTION	M.	H/V LOCATION
C547	4030017460	S.CER ECJ0EB1E102K	T	34.7/68.3
C548	4030016790	S.CER ECJ0EB1C103K	B	27.5/74.2
C549	4030017460	S.CER ECJ0EB1E102K	T	17.5/81.4
C550	4030016790	S.CER ECJ0EB1C103K	T	73.2/90.5
C552	4030016790	S.CER ECJ0EB1C103K	T	14.5/81.3
C553	4030016790	S.CER ECJ0EB1C103K	T	74.1/90.5
C554	4030017350	S.CER ECJ0EC1H020B	T	32.1/63.2
C555	4030016930	S.CER ECJ0EB1A104K	T	71.2/96.3
C556	4030017460	S.CER ECJ0EB1E102K	T	69.9/96.3
C557	4030017430	S.CER ECJ0EC1H101J	T	30.7/63.6
C558	4030017340	S.CER ECJ0EC1H010B	T	30.7/65.2
C559	4030016790	S.CER ECJ0EB1C103K	T	13.2/92
C560	4030017350	S.CER ECJ0EC1H020B	T	30.7/66.8
C561	4030016790	S.CER ECJ0EB1C103K	T	13.6/87.7
C562	4030017600	S.CER ECJ0EC1H080C	T	39.9/65.5
C563	4030017580	S.CER ECJ0EC1H060C	T	33.1/67.5
C564	4030016790	S.CER ECJ0EB1C103K	T	20.6/80.9
C565	4030017460	S.CER ECJ0EB1E102K	T	30.7/68.9
C566	4030017460	S.CER ECJ0EB1E102K	T	42/69.1
C567	4030017460	S.CER ECJ0EB1E102K	T	41.5/65.1
C568	4030017580	S.CER ECJ0EC1H060C	T	33.1/68.8
C569	4030017460	S.CER ECJ0EB1E102K	T	24.7/81.8
C570	4030017730	S.CER ECJ0EB1E471K	T	23.4/81.8
C572	4030016790	S.CER ECJ0EB1C103K	T	23.8/90.7
C573	4030017460	S.CER ECJ0EB1E102K	T	35.2/70.4
C574	4030016790	S.CER ECJ0EB1C103K	T	24.7/90.7
C575	4030016930	S.CER ECJ0EB1A104K	T	21.6/97.1
C576	4030017460	S.CER ECJ0EB1E102K	T	21.6/96.2
C578	4030012610	S.CER C2012 JB 1C 474K-T	T	120.4/134.3
C579	4510006021	ELE 16 ME 2200 HC		
C580	4030016930	S.CER ECJ0EB1A104K	T	110.8/137.4
C581	4030017420	S.CER ECJ0EC1H470J	T	18.2/19.5
C582	4030017600	S.CER ECJ0EC1H080C	T	37.8/59.1
C584	4550002980	S.TAN TEESVA 1C 225M8R	T	122.2/80.9
C585	4030016790	S.CER ECJ0EB1C103K	B	121.2/89.2
C586	4550007080	S.TAN TEESVA 1C 106M8R	B	105.2/127.1
C588	4030017390	S.CER ECJ0EC1H180J	B	123.2/91.3
C589	4030017460	S.CER ECJ0EB1E102K	T	14.4/26.5
C590	4030016930	S.CER ECJ0EB1A104K	B	111.2/93.1
C591	4030017460	S.CER ECJ0EB1E102K	T	10.9/16.1
C592	4030017460	S.CER ECJ0EB1E102K	T	7.5/24.6
C593	4030017420	S.CER ECJ0EC1H470J	T	126.6/18.3
C594	4030017510	S.CER ECJ0EC1H680J	B	123.4/89.9
C596	4030016790	S.CER ECJ0EB1C103K	B	121.9/87
C597	4030017460	S.CER ECJ0EB1E102K	T	10.3/25
C598	4030017460	S.CER ECJ0EB1E102K	B	99.5/130.4
C599	4030017570	S.CER ECJ0EC1H040B	B	125/94.6
C600	4030017040	S.CER ECJ0EB1A333K	T	121.6/72.3
C601	4030017460	S.CER ECJ0EB1E102K	T	8.9/15.1
C602	4030016930	S.CER ECJ0EB1A104K	B	97.3/121
C603	4030017460	S.CER ECJ0EB1E102K	T	123.6/76.2
C604	4030017400	S.CER ECJ0EC1H220J	B	127/81
C605	4030017420	S.CER ECJ0EC1H470J	T	121.7/23
C606	4030012610	S.CER C2012 JB 1C 474K-T	B	99.8/123
C607	4030017420	S.CER ECJ0EC1H470J	T	122/24.8
C610	4030016930	S.CER ECJ0EB1A104K	B	97.3/129.4
C611	4510008540	S.ELE EEE1CA100SR	B	102.1/15.7
C612	4510008540	S.ELE EEE1CA100SR	T	104.5/50.1
C613	4550007080	S.TAN TEESVA 1C 106M8R	B	97.9/126.5
C614	4030016930	S.CER ECJ0EB1A104K	B	113.6/90.1
C616	4030016930	S.CER ECJ0EB1A104K	B	126.2/67.7
C617	4030016930	S.CER ECJ0EB1A104K	T	115.5/63.5
C618	4030017460	S.CER ECJ0EB1E102K	T	113.1/116.3
C619	4030016940	S.CER ECJ0EB1A393K	T	14.8/27.4
C620	4030016940	S.CER ECJ0EB1A393K	T	14.8/28.6
C621	4550006760	S.TAN TEESVB21A336M8R	T	10.4/28.9
C622	4030017460	S.CER ECJ0EB1E102K	T	116.5/128.5
C623	4030016930	S.CER ECJ0EB1A104K	B	17.1/29.8
C624	4030017490	S.CER C1608 JB 1A 105K-T	T	19.2/29.9
C625	4550002980	S.TAN TEESVA 1C 225M8R	T	25.8/28.8
C626	4030017460	S.CER ECJ0EB1E102K	T	111.4/124.7
C627	4030016790	S.CER ECJ0EB1C103K	B	107.9/62.6
C628	4030017460	S.CER ECJ0EB1E102K	T	113.1/118.3
C629	4030017460	S.CER ECJ0EB1E102K	T	112.9/125.1
C630	4030016930	S.CER ECJ0EB1A104K	T	112.7/120.4
C635	4030017460	S.CER ECJ0EB1E102K	T	21.3/24.4
C636	4030008680	S.CER C2012 JF 1C 105Z-T	T	19.7/24.5
C637	4030008680	S.CER C2012 JF 1C 105Z-T	T	25.5/24.2
C638	4030016790	S.CER ECJ0EB1C103K	T	109.6/78.1
C639	4030016970	S.CER ECJ0EB1C223K	T	110.2/80.7
C640	4030016930	S.CER ECJ0EB1A104K	T	111.7/79.5
C641	4030017460	S.CER ECJ0EB1E102K	T	33/20.9
C642	4030017460	S.CER ECJ0EB1E102K	T	32.2/28
C643	4030017770	S.CER ECJ0EB1E332K	T	110.1/76.9
C644	4030018860	S.CER ECJ0EB0J105K	B	28.9/24.8
C645	4030016930	S.CER ECJ0EB1A104K	B	29.7/23.9
C646	4030016930	S.CER ECJ0EB1A104K	B	30.5/24.8
C647	4030017770	S.CER ECJ0EB1E332K	T	110.5/75.7
C648	4030016930	S.CER ECJ0EB1A104K	B	36.1/24.6
C649	4030016930	S.CER ECJ0EB1A104K	B	35.3/19.6
C650	4510008540	S.ELE EEE1CA100SR	B	62.5/12.8
C651	4030017490	S.CER C1608 JB 1A 105K-T	T	110.4/96.8
C652	4030016930	S.CER ECJ0EB1A104K	B	34.9/24
C653	4030017490	S.CER C1608 JB 1A 105K-T	T	114.8/97.4
C654	4030016930	S.CER ECJ0EB1A104K	T	65.3/4.4
C655	4030016930	S.CER ECJ0EB1A104K	T	36.5/26.9
C656	4550006250	S.TAN TEESVA 1A 106M8R	B	31.6/21.8
C657	4030017460	S.CER ECJ0EB1E102K	T	114.3/102.1
C658	4510008540	S.ELE EEE1CA100SR	T	117.1/108
C659	4030016970	S.CER ECJ0EB1C223K	T	113.5/108.8
C660	4030017400	S.CER ECJ0EC1H220J	T	89.9/4.9
C661	4030018910	S.CER C1608 JB 0J 475K-T	T	116.5/104.5
C662	4030017400	S.CER ECJ0EC1H220J	T	89.9/11.1
C663	4510008540	S.ELE EEE1CA100SR	B	61.9/7.5

[MAIN UNIT]

REF NO.	ORDER NO.	DESCRIPTION	M.	H/V LOCATION
C664	4030017730	S.CER ECJ0EB1E471K	B	116/32.7
C665	4510008500	S.ELE EEE1CA101WP	T	125.7/43
C666	4030016970	S.CER ECJ0EB1C223K	T	106/107.2
C667	4510008540	S.ELE EEE1CA100SR	T	106.3/110.4
C668	4030016790	S.CER ECJ0EB1C103K	B	116.4/37.6
C669	4030017730	S.CER ECJ0EB1E471K	B	117.2/34
C670	4030016930	S.CER ECJ0EB1A104K	B	117.3/37.6
C672	4030017460	S.CER ECJ0EB1E102K	T	99.4/35.6
C673	4030017460	S.CER ECJ0EB1E102K	B	119.2/98
C674	4030017460	S.CER ECJ0EB1E102K	T	115.4/41.3
C675	4030017730	S.CER ECJ0EB1E471K	B	117.2/33.1
C676	4030017460	S.CER ECJ0EB1E102K	T	121/35
C677	4030016930	S.CER ECJ0EB1A104K	B	72.5/5
C678	4510008540	S.ELE EEE1CA100SR	B	41.5/10.9
C679	4030016930	S.CER ECJ0EB1A104K	T	125.9/113.4
C680	4030016930	S.CER ECJ0EB1A104K	T	120.9/107.2
C683	4030017040	S.CER ECJ0EB1A333K	T	113/79.2
C684	4510008540	S.ELE EEE1CA100SR	T	97.2/21.8
C685	4510008540	S.ELE EEE1CA100SR	T	103.3/21.8
C687	4510008540	S.ELE EEE1CA100SR	B	64/17.7
C688	4030018900	S.CER ECJ0EB0J474K	T	128.3/109.6
C689	4030018900	S.CER ECJ0EB0J474K	T	123.2/110.9
C691	4030017460	S.CER ECJ0EB1E102K	B	120.6/102.5
C692	4030017920	S.CER ECJ0EB1A683K	T	114/75.1
C694	4030018900	S.CER ECJ0EB0J474K	T	126.1/111.3
C695	4510008540	S.ELE EEE1CA100SR	T	116.8/72.9
C697	4550007080	S.TAN TEESVA 1C 106M8R	B	75.6/8.4
C698	4030016790	S.CER ECJ0EB1C103K	T	114.4/70
C700	4510008520	S.ELE EEE1CA470SP	T	124.2/102.2
C701	4030016930	S.CER ECJ0EB1A104K	B	67.5/17
C703	4510008130	S.ELE 16 CE 220 BS	B	123.4/98.6
C704	4030017730	S.CER ECJ0EB1E471K	T	127.5/114.3
C705	4510008540	S.ELE EEE1CA100SR	B	69.4/20.3
C706	4510008520	S.ELE EEE1CA470SP	T	125/119.2
C707	4510008500	S.ELE EEE1CA101WP	B	121.7/109.1
C708	4030017460	S.CER ECJ0EB1E102K	B	112.8/32.4
C709	4510008870	S.ELE EEE1AA471UP	B	112.1/109.1
C710	4030016930	S.CER ECJ0EB1A104K	T	127.2/142.8
C711	4510008870	S.ELE EEE1AA471UP	B	104.2/117.2
C712	4030016930	S.CER ECJ0EB1A104K	T	107.1/145.9
C714	4510008500	S.ELE EEE1CA101WP	B	114.2/117.2
C716	4030016930	S.CER ECJ0EB1A104K	T	124.2/144.3
C717	4030017430	S.CER ECJ0EC1H010J	T	59.6/20.7
C718	4510008130	S.ELE 16 CE 220 BS	B	123/117.2
C719	4030017420	S.CER ECJ0EC1H470J	T	119.3/143.3
C722	4550007080	S.TAN TEESVA 1C 106M8R	T	56.7/16.1
C723	4030017420	S.CER ECJ0EC1H470J	B	75.7/43.7
C724	4030017420	S.CER ECJ0EC1H470J	T	82.4/35.4
C725	4030017460	S.CER ECJ0EB1E102K	B	65/48.6
C726	4030017460	S.CER ECJ0EB1E102K	B	75.9/45.5
C727	4030017420	S.CER ECJ0EC1H470J	T	79.7/45.5
C728	4030017460	S.CER ECJ0EB1E102K	B	65/49.5
C729	4030017460	S.CER ECJ0EB1E102K	T	75.7/41.3
C730	4030017460	S.CER ECJ0EB1E102K	T	78.3/39.4
C731	4030017460	S.CER ECJ0EB1E102K	B	65.8/47.7
C732	4030017420	S.CER ECJ0EC1H470J	B	90.5/36
C733	4030017460	S.CER ECJ0EB1E102K	B	68.1/50.7
C734	4030017460	S.CER ECJ0EB1E102K	T	57.6/43.9
C735	4030017420	S.CER ECJ0EC1H470J	T	80.2/41.2
C736	4030018860	S.CER ECJ0EB0J105K	B	67.4/45.9
C737	4030018860	S.CER ECJ0EB0J105K	B	67.4/46.8
C738	4030017360	S.CER ECJ0EC1H030B	B	70.3/52
C739	4030017460	S.CER ECJ0EB1E102K	T	80.7/55.5
C740	4030017460	S.CER ECJ0EB1E102K	B	64.6/46.4
C741	4030017640	S.CER ECJ0EC1H150J	B	70.3/49.6
C742	4030017570	S.CER ECJ0EC1H040B	B	71.5/49.1
C743	4030017680	S.CER ECJ0EC1H820J	B	72.7/48.8
C744	4030016790	S.CER ECJ0EB1C103K	B	72.3/45.5
C746	4030017580	S.CER ECJ0EC1H060C	B	70.5/45.8
C747	4030017620	S.CER ECJ0EC1H100C	B	69/40.9
C748	4030016930	S.CER ECJ0EB1A104K	B	65/40.9
C749	4030017460	S.CER ECJ0EB1E102K	B	64.6/42.1
C750	4030016930	S.CER ECJ0EB1A104K	B	75.5/48.8
C751	4030017460	S.CER ECJ0EB1E102K	B	71.3/42.1
C752	4030017420	S.CER ECJ0EC1H470J	B	74.6/49.7
C753	4030017730	S.CER ECJ0EB1E471K	T	74.2/48
C754	4030017730	S.CER ECJ0EB1E471K	T	75.1/47.3
C755	4030016930	S.CER ECJ0EB1A104K	T	75.1/44.1
C759	4550000530	S.TAN TEESVA 1V 104M8R	T	68.6/37.2
C760	4030016930	S.CER ECJ0EB1A104K	T	71.5/34.7
C761	4030017460	S.CER ECJ0EB1E102K	T	74.6/34.2
C762	4550002980	S.TAN TEESVA 1C 225M8R	T	68.6/34.8
C763	4550000530	S.TAN TEESVA 1V 104M8R	T	78.4/34.8
C764	4030016930	S.CER ECJ0EB1A104K	T	80.2/43.4
C765	4030017460	S.CER ECJ0EB1		

[MAIN UNIT]

REF NO.	ORDER NO.	DESCRIPTION	M.	H/V LOCATION
C786	4030017460	S.CER ECJ0EB1E102K	T	75.3/55.5
C787	4030017630	S.CER ECJ0EC1H120J	T	83.7/60.9
C788	4030017460	S.CER ECJ0EB1E102K	T	79.8/55.5
C789	4030017640	S.CER ECJ0EC1H150J	T	85.4/65.4
C790	4030017390	S.CER ECJ0EC1H180J	T	82.5/61.3
C791	4030017600	S.CER ECJ0EC1H080C	T	83/62.6
C792	4030017460	S.CER ECJ0EB1E102K	T	86.3/65.9
C793	4030017340	S.CER ECJ0EC1H010B	T	88.8/46.6
C794	4030017580	S.CER ECJ0EC1H060C	T	79.7/63.3
C795	4030017650	S.CER ECJ0EC1H270J	T	85.7/67.4
C796	4030017580	S.CER ECJ0EC1H060C	T	80.9/63.8
C797	4030017400	S.CER ECJ0EC1H220J	T	88.8/48.2
C798	4030017460	S.CER ECJ0EB1E102K	T	80.4/60.3
C799	4030017580	S.CER ECJ0EC1H060C	T	79.7/64.2
C800	4030017590	S.CER ECJ0EC1H070C	T	81.9/65.9
C803	4030017460	S.CER ECJ0EB1E102K	T	90.1/55.2
C804	4030017640	S.CER ECJ0EC1H150J	T	85.7/68.9
C805	4030017460	S.CER ECJ0EB1E102K	T	75.3/58.6
C806	4030017460	S.CER ECJ0EB1E102K	T	83.3/69.3
C807	4030017590	S.CER ECJ0EC1H070C	T	81.9/67.5
C808	4030017460	S.CER ECJ0EB1E102K	T	90.7/60.1
C809	4030017650	S.CER ECJ0EC1H270J	T	75.7/67
C811	4030017460	S.CER ECJ0EB1E102K	T	89/60.1
C812	4030017500	S.CER ECJ0EC1H560J	T	77.9/66.7
C814	4030017340	S.CER ECJ0EC1H010B	T	89.8/62.5
C815	4030017460	S.CER ECJ0EB1E102K	T	86.2/70.7
C816	4030017650	S.CER ECJ0EC1H270J	T	79.5/68.7
C817	4030017460	S.CER ECJ0EB1E102K	T	79.7/67.4
C818	4030017390	S.CER ECJ0EC1H180J	T	90.6/66.3
C819	4030017460	S.CER ECJ0EB1E102K	T	83.6/55.5
C820	4030017390	S.CER ECJ0EC1H180J	T	89.9/67.8
C821	4030017420	S.CER ECJ0EC1H470J	T	77.5/61.4
C822	4030017420	S.CER ECJ0EC1H470J	T	75.7/66
C823	4030016790	S.CER ECJ0EB1C103K	T	75.3/62.6
C827	4030017460	S.CER ECJ0EB1E102K	T	44.5/58
C830	4030017460	S.CER ECJ0EB1E102K	T	37.5/55.2
C831	4030017460	S.CER ECJ0EB1E102K	T	36.2/59.9
C833	4030017460	S.CER ECJ0EB1E102K	T	44.4/55.7
C835	4030017460	S.CER ECJ0EB1E102K	T	42/59.5
C836	4030006860	S.CER C1608 JB 1H 102K-T	B	114.3/127.7
C837	4030017460	S.CER ECJ0EB1E102K	T	75.7/70.8
C838	4030017460	S.CER ECJ0EB1E102K	T	75.1/40.4
C839	4030017460	S.CER ECJ0EB1E102K	T	83.1/43.7
C840	4030017460	S.CER ECJ0EB1E102K	T	46.5/63.1
C841	4030017590	S.CER ECJ0EC1H070C	T	31.7/55.2
C844	4030017460	S.CER ECJ0EB1E102K	T	30.9/57.8
C845	4050000280	S.FED CTH30V222S15A-TM	T	87.3/113.6
C846	4050000280	S.FED CTH30V222S15A-TM	T	43.5/117.5
C847	4050000280	S.FED CTH30V222S15A-TM	T	119.7/129.4
C848	4030017460	S.CER ECJ0EB1E102K	T	19/125.4
C849	4030011810	S.CER C1608 JB 1A 224K-T	T	93.3/5.5
C850	4030011810	S.CER C1608 JB 1A 224K-T	T	92.6/4.3
C851	4030011810	S.CER C1608 JB 1A 224K-T	T	95.2/4.3
C852	4030011810	S.CER C1608 JB 1A 224K-T	T	96.8/5.5
C855	4030018140	S.CER ECJ0EB1H391K	T	61.4/15.6
C856	4030018920	S.CER ECJ0EB1H392K	T	58.6/14.3
C857	4030017430	S.CER ECJ0EC1H101J	T	71/15.8
C858	4030017430	S.CER ECJ0EC1H101J	T	70.9/20
C859	4030017490	S.CER C1608 JB 1A 105K-T	T	75.6/20.4
C860	4030017920	S.CER ECJ0EB1A683K	T	75.1/19.4
C861	4030018240	S.CER ECJ0EB1E562K	T	70.4/18.8
C862	4030016950	S.CER ECJ0EB1A473K	T	72.5/17.9
C863	4030018910	S.CER C1608 JB 0J 475K-T	B	107.1/36.7
C864	4030018910	S.CER C1608 JB 0J 475K-T	B	101.1/27.5
C865	4030018910	S.CER C1608 JB 0J 475K-T	B	104.2/37.8
C866	4030017040	S.CER ECJ0EB1A333K	T	64.4/23.1
C867	4030018860	S.CER ECJ0EB0J105K	T	101.7/31.2
C868	4030016790	S.CER ECJ0EB1C103K	T	66.9/92.4
C869	4030016790	S.CER ECJ0EB1C103K	T	66.9/89.3
C870	4030016790	S.CER ECJ0EB1C103K	T	17.5/92.6
C871	4030016790	S.CER ECJ0EB1C103K	T	17.5/90.4
C872	4550007080	S.TAN TEESVA 1C 106M8R	T	56.7/18.2
C873	4030018860	S.CER ECJ0EB0J105K	T	102.2/30.1
C874	4510008540	S.ELE EEE1CA100SR	B	64.2/22.5
C875	4510008540	S.ELE EEE1CA100SR	B	52.2/26.8
C876	4510008540	S.ELE EEE1CA100SR	B	64.2/27.3
C877	4510009120	S.ELE EEE1VA2R2NR	B	44.1/36
C879	4510008540	S.ELE EEE1CA100SR	B	58.3/22
C882	4030017460	S.CER ECJ0EB1E102K	B	105.6/101.9
C883	4030017460	S.CER ECJ0EB1E102K	T	90.9/93.9
C884	4030016930	S.CER ECJ0EB1A104K	T	8.2/66
C889	4030017460	S.CER ECJ0EB1E102K	T	16.7/60.4
C891	4030016930	S.CER ECJ0EB1A104K	T	17.3/53.2
C894	4030016790	S.CER ECJ0EB1C103K	T	62.5/50.2
C895	4030017460	S.CER ECJ0EB1E102K	T	29.6/111.8
C896	4030017460	S.CER ECJ0EB1E102K	B	47.2/58.7
C897	4030017460	S.CER ECJ0EB1E102K	B	5.6/33.6
C898	4030016930	S.CER ECJ0EB1A104K	T	93.4/14.2
C899	4030017460	S.CER ECJ0EB1E102K	B	128.3/77.5
C900	4030017460	S.CER ECJ0EB1E102K	B	126.7/78
C901	4030017420	S.CER ECJ0EC1H470J	B	123.4/55.1
C902	4030017420	S.CER ECJ0EC1H470J	B	123.4/51.9
C903	4030016930	S.CER ECJ0EB1A104K	T	119.1/53.1
C904	4030016930	S.CER ECJ0EB1A104K	T	121.2/55.2
C905	4030016930	S.CER ECJ0EB1A104K	T	103.2/53.9
C906	4030016930	S.CER ECJ0EB1A104K	T	103.2/54.8
C907	4030016790	S.CER ECJ0EB1C103K	B	114/56.2
C908	4030017460	S.CER ECJ0EB1E102K	T	108/52.5
C909	4030017460	S.CER ECJ0EB1E102K	T	114.6/51.8
C910	4030016790	S.CER ECJ0EB1C103K	T	114.6/50.9
C911	4030016930	S.CER ECJ0EB1A104K	T	111.7/53.7
C912	4030016930	S.CER ECJ0EB1A104K	B	59.9/28.2
C913	4030017460	S.CER ECJ0EB1E102K	T	114.3/98.8
C914	4030016930	S.CER ECJ0EB1A104K	B	121.6/93.1

[MAIN UNIT]

REF NO.	ORDER NO.	DESCRIPTION	M.	H/V LOCATION
C915	4030016930	S.CER ECJ0EB1A104K	B	125.8/79.4
C916	4030016930	S.CER ECJ0EB1A104K	B	121.3/83.4
C917	4030016930	S.CER ECJ0EB1A104K	B	115.4/89.4
C918	4030016930	S.CER ECJ0EB1A104K	T	69.3/25
C919	4030017460	S.CER ECJ0EB1E102K	T	101.3/25.9
C920	4030017460	S.CER ECJ0EB1E102K	B	69.7/37.1
C921	4030017460	S.CER ECJ0EB1E102K	B	71.2/34.2
C922	4030017460	S.CER ECJ0EB1E102K	B	29.8/32.7
C923	4030017460	S.CER ECJ0EB1E102K	B	30.7/36.2
C924	4030017460	S.CER ECJ0EB1E102K	B	23.2/36.6
C925	4030017460	S.CER ECJ0EB1E102K	B	67.2/36.9
C926	4030016930	S.CER ECJ0EB1A104K	T	15.8/58.6
C927	4030016930	S.CER ECJ0EB1A104K	T	7.6/55.4
C928	4030016930	S.CER ECJ0EB1A104K	T	15.8/51
C929	4030016930	S.CER ECJ0EB1A104K	T	7.6/47.9
C930	4030016930	S.CER ECJ0EB1A104K	T	61/59.5
C931	4030016930	S.CER ECJ0EB1A104K	T	61.6/52
C932	4030016930	S.CER ECJ0EB1A104K	T	52.9/56.3
C933	4030016930	S.CER ECJ0EB1A104K	T	52.9/48.8
C934	4030016930	S.CER ECJ0EB1A104K	T	122.5/71.2
C937	4030017460	S.CER ECJ0EB1E102K	T	30.2/109
C938	4030017460	S.CER ECJ0EB1E102K	T	33/107
C941	4030017460	S.CER ECJ0EB1E102K	T	71.1/137.5
C942	4030017460	S.CER ECJ0EB1E102K	T	54/124
C943	4030018900	S.CER ECJ0EB0J474K	B	122.4/82.8
C944	4030016790	S.CER ECJ0EB1C103K	T	121.7/27.7
C945	4030017520	S.CER ECJ0EC1H0R3B	T	38.4/37
C946	4030017460	S.CER ECJ0EB1E102K	T	51.9/124.2
C948	4510009010	S.ELE EEE1AA221P	T	86.4/16.8
C949	4030017460	S.CER ECJ0EB1E102K	B	46.8/30.5
C950	4030017400	S.CER ECJ0EC1H220J	T	89.7/49.1
C951	4030018890	S.CER ECJ0EB0J224K	T	76/47.7
C952	4030017570	S.CER ECJ0EC1H040B	T	36.4/137.1
C953	4030017360	S.CER ECJ0EC1H030B	T	37.7/136.7
C954	4510009010	S.ELE EEE1AA221P [EUR-02] only	T	13.2/36.6
RL1	6330001560	S.RLY ATQ206SA	T	27.3/119.6
RL2	6330001560	S.RLY ATQ206SA	T	64.7/122.9
RL3	6330001560	S.RLY ATQ206SA	T	24.7/144.8
J1	6510014961	S.CNR B2B-ZR-SM4-TF (LF) (SN)	T	48.3/136.1
J2	6510023110	CNR 3008L-8P8C <KIN>		
J3	6510025950	CNR PCB-606 (6P6C) BLACK		
J4	6510023161	CNR DN-508B-6-L <KOU>		
J5	6450001430	CNR HSJ1462-01-010		
J6	6510021970	S.CNR AXN330C130P	B	123.5/35.9
J7	6510014961	S.CNR B2B-ZR-SM4-TF (LF) (SN)	B	101/108.4
J8	6510025940	CNR PJ-3047S <XIN>		
J9	6450001440	CNR HSJ1403-01-010		
J10	6510025970	S.CNR 41-002AA-R <MRF>	T	94.8/112.6
J11	6510025970	S.CNR 41-002AA-R <MRF>	T	39.7/123.2
J22	6510025970	S.CNR 41-002AA-R <MRF>	T	94.8/117
J23	6510025970	S.CNR 41-002AA-R <MRF>	T	36.5/119.6
J24	6510016381	S.CNR 52465-1071	T	126.3/67.5
W1	8900016070	CBL OPC-1669		
W2	8900016070	CBL OPC-1669		
W5	7120000470	JMP ERDS2T0		
W6	7120000470	JMP ERDS2T0		
W7	8900016020	CBL OPC-1671 <TJM>		
EP1	6910014690	S.BEA MPZ1608S221A-T	T	49.3/117.4
EP2	6910014690	S.BEA MPZ1608S221A-T	T	51.1/133.4
EP3	6910012350	S.BEA MMZ1608Y 102BT	B	44.3/88.7
EP4	6910012350	S.BEA MMZ1608Y 102BT	B	39.4/88.2
EP5	6910012350	S.BEA MMZ1608Y 102BT	T	8.9/17.2
EP6	6910018460	S.BEA MMZ1005Y102C-T	T	8/22.9
EP7	6910018460	S.BEA MMZ1005Y102C-T	T	10.9/17.7
EP8	6910018460	S.BEA MMZ1005Y102C-T	T	12.4/25
EP9	6910018460	S.BEA MMZ1005Y102C-T	T	16/25.3
EP10	6910018460	S.BEA MMZ1005Y102C-T	T	13.9/25.3
EP11	6910012350	S.BEA MMZ1608Y 102BT	T	15/17.2
EP12	6910018460	S.BEA MMZ1005Y102C-T	T	18.2/21.6
EP13	6910012350	S.BEA MMZ1608Y 102BT	T	125.9/19.6
EP14	6910012350	S.BEA MMZ1608Y 102BT	T	120.2/21.7
EP16	6910018460	S.BEA MMZ1005Y102C-T	T	122.9/22.5
EP18	6910018460	S.BEA MMZ1005Y102C-T	B	121.6/94
EP19	6910018460	S.BEA MMZ1005Y102C-T	B	123.7/81.5
EP20	6910018460	S.BEA MMZ1005Y102C-T	B	125.7/80.6
EP23	6910018460	S.BEA MMZ1005Y102C-T	T	12.9/28.9
EP24	6910018460	S.BEA MMZ1005Y102C-T	T	57.1/9.6
EP25	6910018460	S.BEA MMZ1005Y102C-T	B	127.7/32.3
EP26	6910018460	S.BEA MMZ1005Y102C-T	B	119.2/41.6
EP27	6910018460	S.BEA MMZ1005Y102C-T	B	119.2/40.7
EP29	6910018460	S.BEA MMZ1005Y102C-T	B	119.2/39.4
EP30	6910018460	S.BEA MMZ1005Y102C-T	B	127.7/39.5
EP31	6910018460	S.BEA MMZ1005Y102C-T	T	89.4/9.8
EP32	6910018460	S.BEA MMZ1005Y102C-T	T	89/4.9
EP33	6910018460	S.BEA MMZ1005Y102C-T	B	127.7/42.2
EP34	6910018460	S.BEA MMZ1005Y102C-T	B	127.7/41.3
EP				

[MAIN UNIT]

REF NO.	ORDER NO.	DESCRIPTION	M.	H/V LOCATION
EP48	6910018460	S.BEA MMZ1005Y102C-T	T	91/61.3
EP49	6910014690	S.BEA MPZ1608S221A-T	T	121.3/152.3
EP50	6910014690	S.BEA MPZ1608S221A-T	T	109.4/155.1
EP51	6910018460	S.BEA MMZ1005Y102C-T	T	119.3/144.2
EP52	6910014690	S.BEA MPZ1608S221A-T	T	128.6/143.6
EP53	6910014690	S.BEA MPZ1608S221A-T	T	126.3/144.3
EP54	6910014690	S.BEA MPZ1608S221A-T	T	113.9/138.9
EP55	6910014690	S.BEA MPZ1608S221A-T	T	108.6/147.8
EP56	6910018460	S.BEA MMZ1005Y102C-T	B	119.3/38.5
EP57	6910018460	S.BEA MMZ1005Y102C-T	B	119.3/37.6
EP58	6910018460	S.BEA MMZ1005Y102C-T	B	119.3/36.7
EP59	6910014690	S.BEA MPZ1608S221A-T	B	117.2/36.3
EP60	6910014690	S.BEA MPZ1608S221A-T	B	117.2/35.1
EP61	6910018460	S.BEA MMZ1005Y102C-T	B	119.3/34.3
EP62	6910018460	S.BEA MMZ1005Y102C-T	B	119.3/33.4
EP63	6910018460	S.BEA MMZ1005Y102C-T	B	119.3/32.5
EP64	6910018460	S.BEA MMZ1005Y102C-T	B	119.3/31.6
EP66	6910018460	S.BEA MMZ1005Y102C-T	B	127.7/35
EP68	6910018460	S.BEA MMZ1005Y102C-T	B	41.6/14.3
EP69	6910018460	S.BEA MMZ1005Y102C-T	T	52.6/10.4
EP70	6910018460	S.BEA MMZ1005Y102C-T	T	45/8
EP71	6910012350	S.BEA MMZ1608Y 102BT	T	47.5/130.7

[VR1 UNIT]

REF NO.	ORDER NO.	DESCRIPTION	M.	H/V LOCATION
R1	7210003250	VAR RV-320 (RK097221005H)		
W1	8900016030	CBL OPC-1666 <TJM>		

[VR2 UNIT]

REF NO.	ORDER NO.	DESCRIPTION	M.	H/V LOCATION
R1	7210003250	VAR RV-320 (RK097221005H)		
W1	8900016030	CBL OPC-1666 <TJM>		

M.=Mounted side (T: Mounted on the Top side, B: Mounted on the Bottom side)
S.=Surface mount

SECTION 7

MECHANICAL PARTS

[CHASSIS PARTS]

REF NO.	ORDER NO.	DESCRIPTION	QTY.
J1	6510004880	MR-DSE-01	1
J2	6510004880	MR-DSE-01	1
P1	6510009580	ZHR-2	1
SP1	2510001160	057P0802	1
MF1	2710000820	EFB0412VHD-6P38	1
W1	9016420020	23/04/140/B09/W01	1
W2	9016420010	23/00/140/B09/W01	1
MP1	8010020640	2969 CHASSIS	1
MP2	8210023550	2969 CHASSIS PANEL	1
MP3	8310068650	2969 MAGNET PLATE	1
MP5	8110009000	2969 U-COVER	1
MP6	8110009010	2969 L-COVER	1
MP7	8110009020	2969 FAN COVER	1
MP8	8930071460	2969 SP SPONGE	1
MP9	8930071380	2969 IC CLIP	1
MP10	8810009611	Screw M2.6X6 ZK3	17
MP12	8810008661	Screw BT B0 3X8 NI-ZC3 (BT)	11
MP13	8810008661	Screw BT B0 3X8 NI-ZC3 (BT)	4
MP14	8810008661	Screw BT B0 3X8 NI-ZC3 (BT)	4
MP15	8810009991	Screw BT B0 3X8 NI-ZK3 (BT)	5
MP16	8810010141	Screw PH M3X30 ZK3	4
MP18	8930014980	59 saran net	1
MP19	8930072260	2969 NET	1
MP20	8930071590	THERMALLY SHEET (BI)	1
MP36	8930016800	Thermal sheet (U)	1
MP38	8930041160	Sheet (BO)	1
MP39	8930018810	Sheet (AA)	1

[CONTROL UNIT]

REF NO.	ORDER NO.	DESCRIPTION	QTY.
J5	6510025730	HJC0187-010024	1
DS1	5030003040	M6-0103TRM-5	1
S15	2250000570	SW-169	1
S16	2250000570	SW-169	1
MP1	8210023490	2969 FRONT PANEL (Inc. MP19)	1
MP2	8210023500	2969 REAR PANEL (Inc. MP25)	1
MP3	8310068770	2969 WINDOW PLATE(A)	1
MP4	8310068550	2969 WINDOW LINE	1
MP5	8310068560	2969 SUB RING	2
MP6	8310068570	2969 MAIN RING	2
MP7	8610013060	KNOB K-263	1
MP8	8610013070	KNOB K-263 (A)	1
MP9	8610013030	KNOB N-353	2
MP10	8610013040	KNOB N-354	2
MP11	8610013050	KNOB N-355	2
MP12	8310068600	2969 KNOB PLATE	2
MP13	8610011310	KNOB K-229	2
MP14	8610013100	KNOB K-229 (J)	2
MP15	8610013080	KNOB K-229 (K)	1
MP16	8610013090	KNOB K-229 (L)	1
MP17	8610013110	KNOB K-229 (M)	1
MP18	8210023540	2969 REFLECTOR	1
MP19	8930071250	2969 WINDOW SHEET	1
MP20	8930071430	2969 KEY SPONGE	1
MP21	8930071410	2969 KEY SHEET	1
MP23	8930006440	Push spring (F)	2
MP25	8830003020	Bit insert SB-264540-CD	2
MP26	8610007510	Knob spring NO.7800	2
MP27	8610007420	Knob spring NO.6601	2
MP28	8830001010	HEX NUT (A)	2
MP29	8810009221	Screw BT B0 2X8 NI-ZK3 (BT)	8
MP40	8930071860	2969 LCD PLATE	1
MP41	8930072030	2969 LCD FILTER	1
MP42	8930072020	2969 LCD SHEET	1
MP44	8930072050	2969 RBEF SHEET	1

[VR1 UNIT]

REF NO.	ORDER NO.	DESCRIPTION	QTY.
R1	7210003250	RV-320	1
W1	8900016030	OPC-1666	1

[VR2 UNIT]

REF NO.	ORDER NO.	DESCRIPTION	QTY.
R1	7210003250	RV-320	1
W1	8900016030	OPC-1666	1

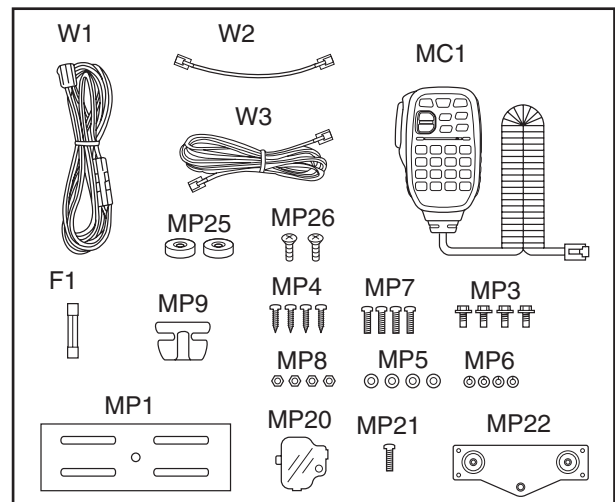
[MAIN UNIT]

REF NO.	ORDER NO.	DESCRIPTION	QTY.
J2	6510023110	3008L-8P8C	1
J3	6510025950	PCB-606 (6P6C)	1
J4	6510023161	DN-508B-6-L	1
J5	6450001430	HSJ1462-01-010	1
J8	6510025940	PJ-3047S	1
J9	6450001440	HSJ1403-01-010	1
W1	8900016070	OPC-1669	1
W2	8900016070	OPC-1669	1
W5	7120000470	ERDS2T0	1
W6	7120000470	ERDS2T0	1
W7	8900016020	OPC-1671	1
MP2*	8510018150	2969 B-VCO CASE	1
MP3*	8510014940	2601 VCO CASE	1
MP4*	8510018150	2969 B-VCO CASE	1
MP5*	8510014940	2601 VCO CASE	1
MP6*	8510016470	2775 VCO CASE	1
MP7*	8510016470	2775 VCO CASE	1
MP8*	8510018140	2969 S-VCO CASE	1
MP9*	8510018140	2969 S-VCO CASE	1
MP10	8510018160	2969 B-VCO COVER	2
MP11	8510014950	2601 VCO COVER	2
MP12	8510016460	2775 VCO COVER	2
MP13	8510016460	2775 VCO COVER	2
MP14	8930060270	2633 M-SHEET	2
MP15	8930059770	2633 M-HOLDER	2
MP16	8930073170	SPONGE(JQ)	1
MP17	8930073180	SPONGE(JR)	1

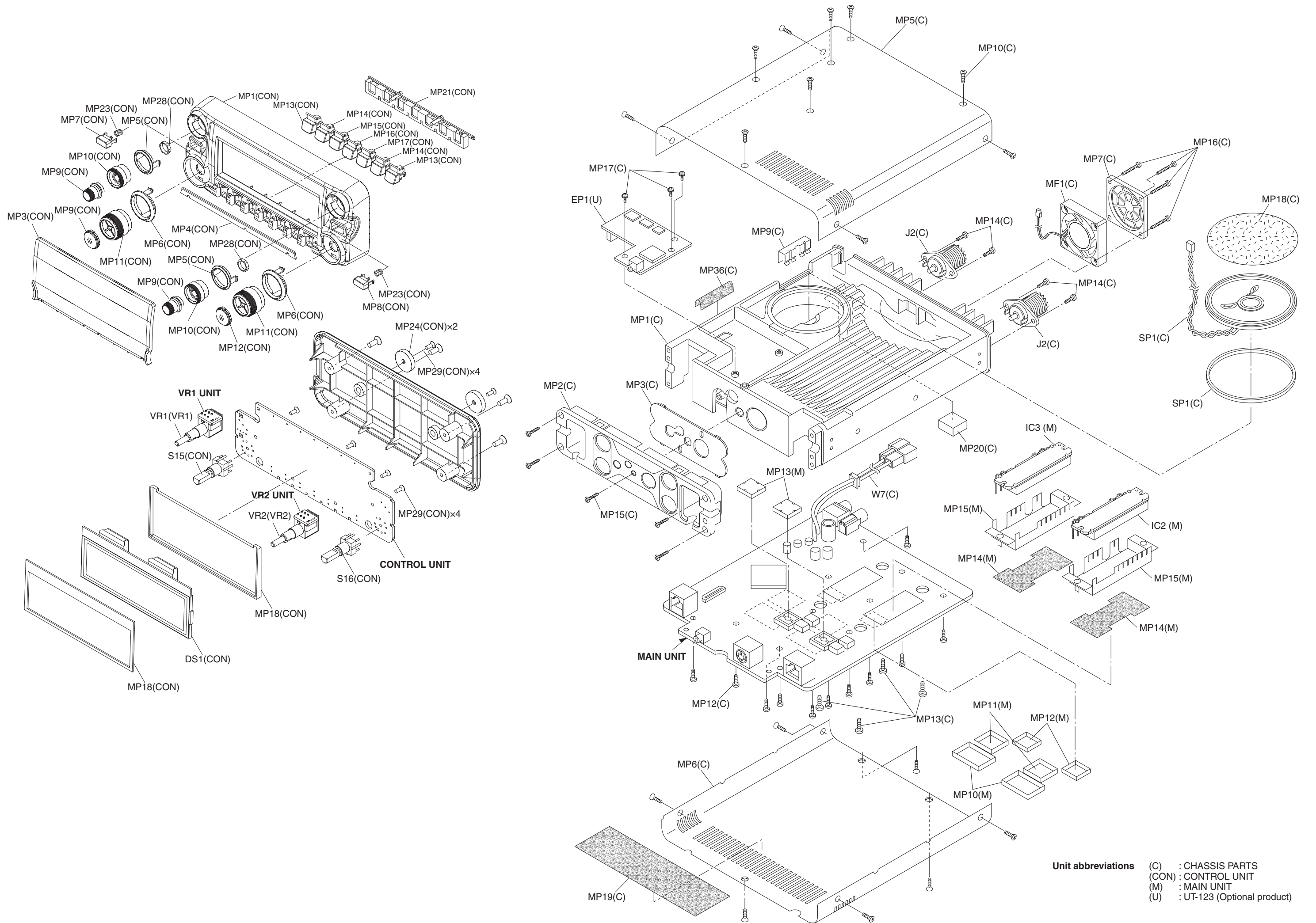
*: Refer to SECTION 8 BOARD LAYOUTS.

[ACCESSORIES]

REF NO.	ORDER NO.	DESCRIPTION	QTY.
MC1	Option	HM-133	1
F1	5210000080	FGB 20A	1
W1	Option	OPC-1132	1
W2	8900016370	OPC-1712	1
W3	8900016050	OPC-1663	1
MP1	8010016730	150 MOBIL BRACKET (SI)	1
MP2	8930041170	452 FELT (SI)	2
MP3	8820000530	Flange bolt M4X8 NI	4
MP4	8810000951	Screw BT A0 5X16 ZC3	4
MP5	8850000180	Flat washer M5 SUS	4
MP6	8850000500	S-washer M5 SUS	4
MP7	8810000471	Screw PH (+) M5X12 ZC3	4
MP8	8830000250	Nut M5 SUS	4
MP9	8930007300	MIC hanger	1
MP20	8310068640	2969 CHASSIS PLATE	1
MP21	8810009611	Screw M2.6X6 ZK3	1
MP22	8010020830	2969 BRACKET (Inc. MP2)	1
MP25	6910018710	NDRDY-15060304	2
MP26	8810009611	Screw M2.6X6 ZK3	2



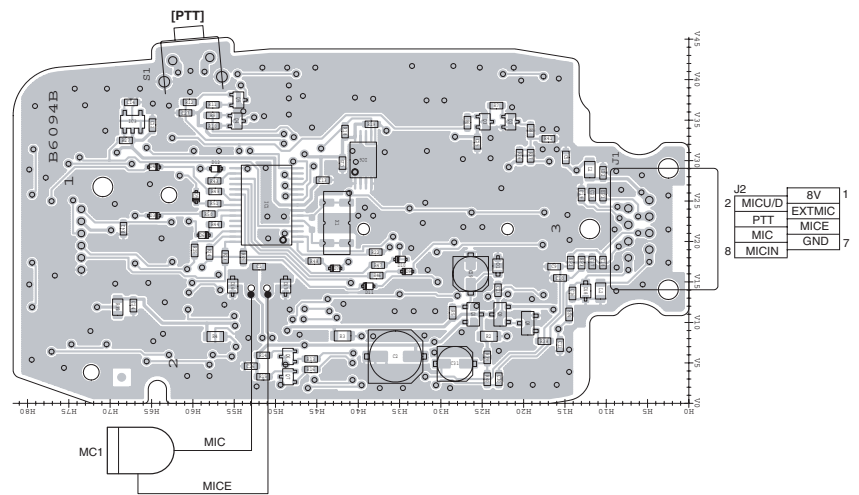
Screw abbreviations A, B0, BT: Self-tapping PH: Pan head ZK: Black NI-ZU: Nickel-Zinc SUS: Stainless



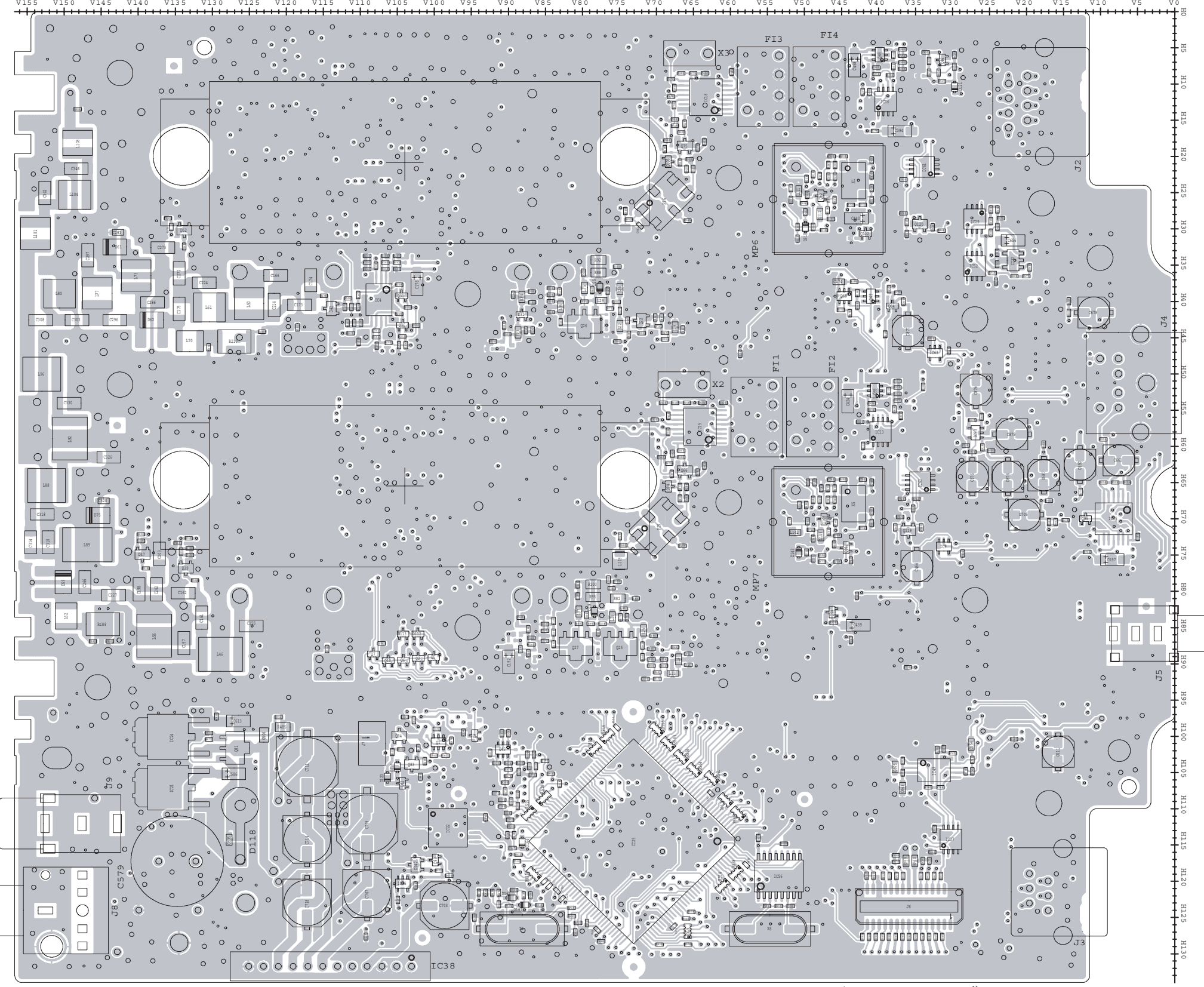
Unit abbreviations
 (C) : CHASSIS PARTS
 (CON) : CONTROL UNIT
 (M) : MAIN UNIT
 (U) : UT-123 (Optional product)

The combination of this side and the bottom side shows the board layout in the same configuration as the actual P.C.Board.

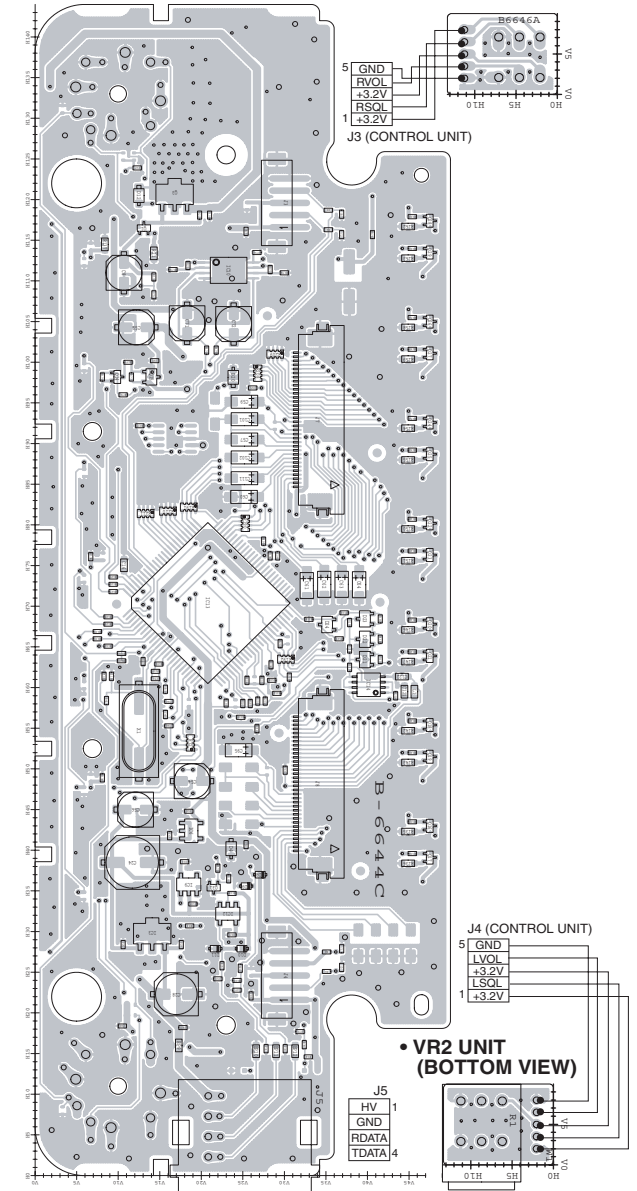
• HM-133 (BOTTOM VIEW)



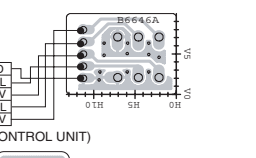
• MAIN UNIT (BOTTOM VIEW)



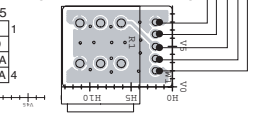
• CONTROL UNIT (BOTTOM VIEW)



• VR1 UNIT (BOTTOM VIEW)



• VR2 UNIT (BOTTOM VIEW)

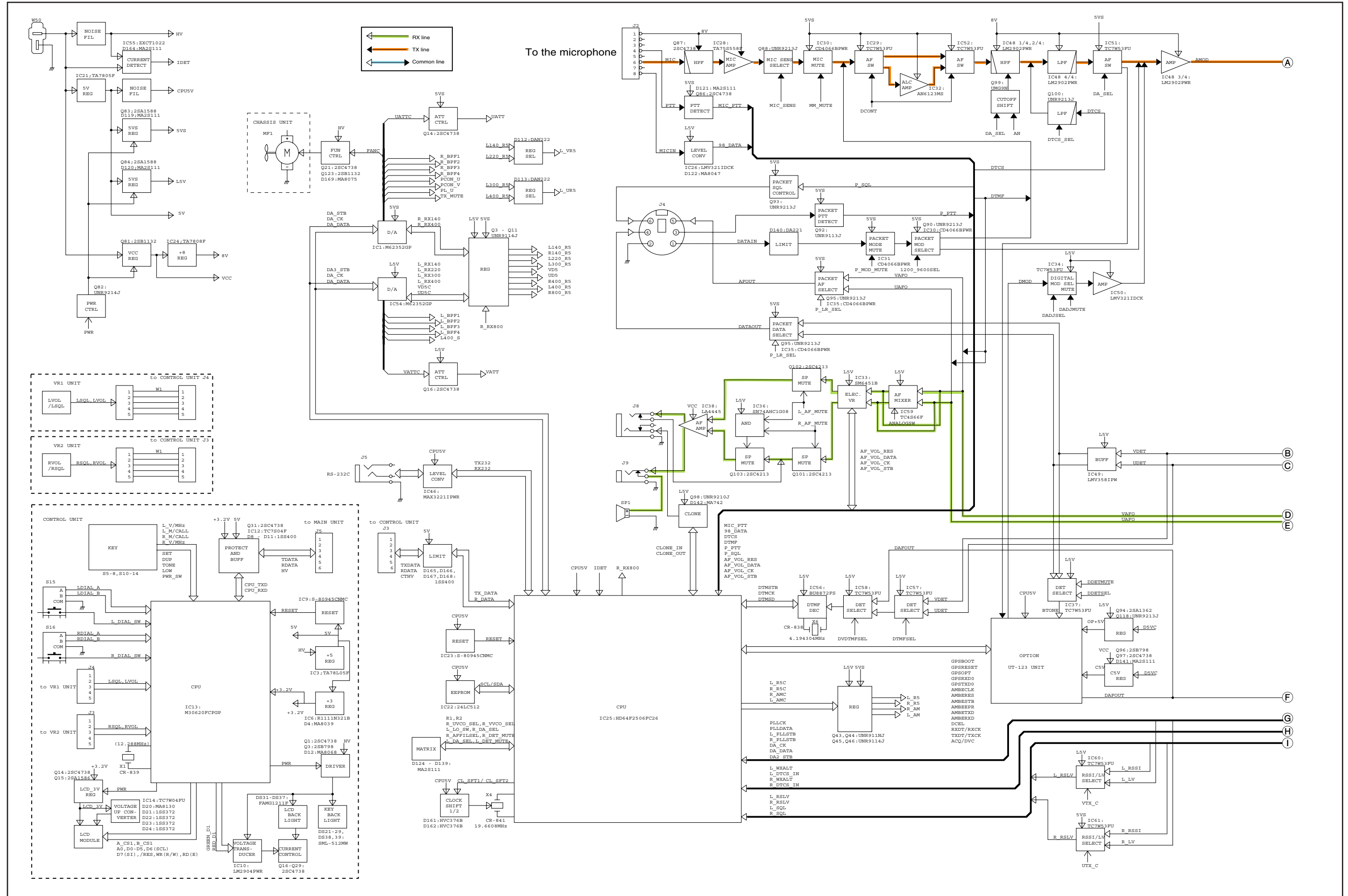


30	GND	NC
29	NC	NC
28	BTONE	AMBERTXD
27	DMFOUT	AMBERTXD
26	AF	DVC
25	DMOD	AOO
24	OSV	TKXK
23	OP-RV	TKXK
22	AMBERTN	TKXK
21	AMBERTS	DCR
20	AMBERTS	DCR
19	AMBERTC	CRUSV
18	GND	GPSOFT
17	GPS7KDI	GPSRESET
16	GPS7KDI	GPSBOOT

SECTION 9

BLOCK DIAGRAM

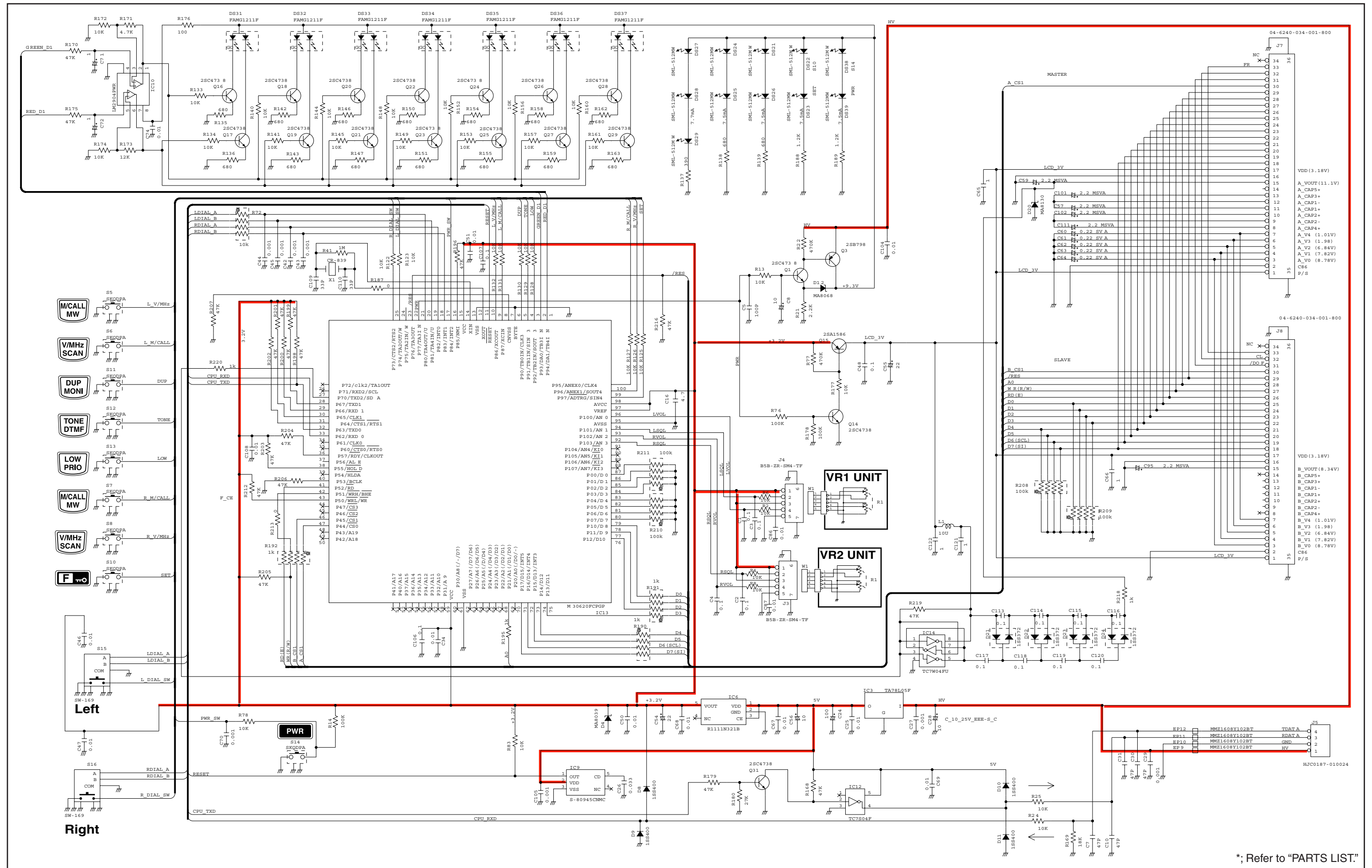
• BLOCK DIAGRAM (Left side)



SECTION 10

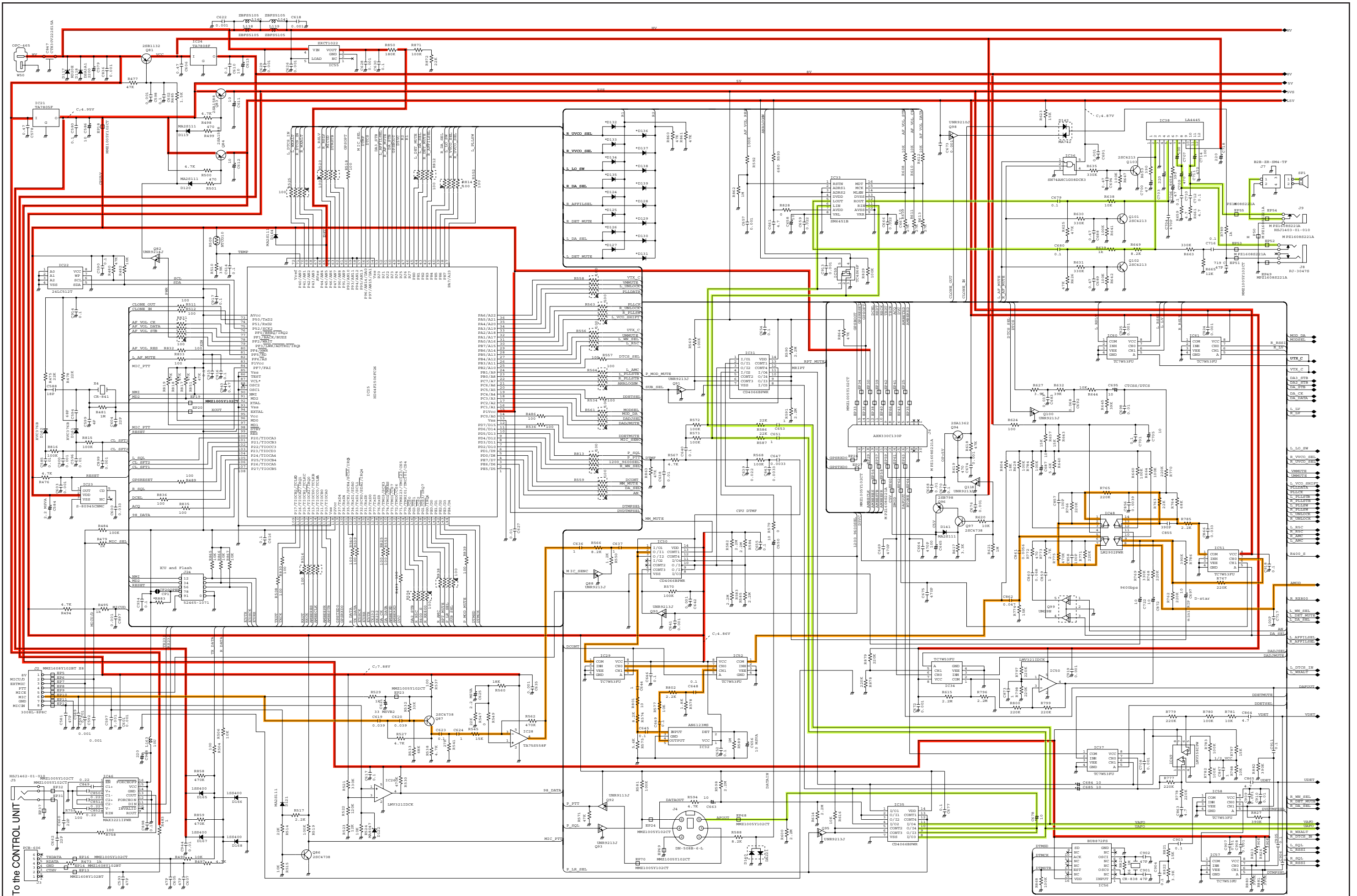
VOLTAGE DIAGRAM

10-1 CONTROL UNIT



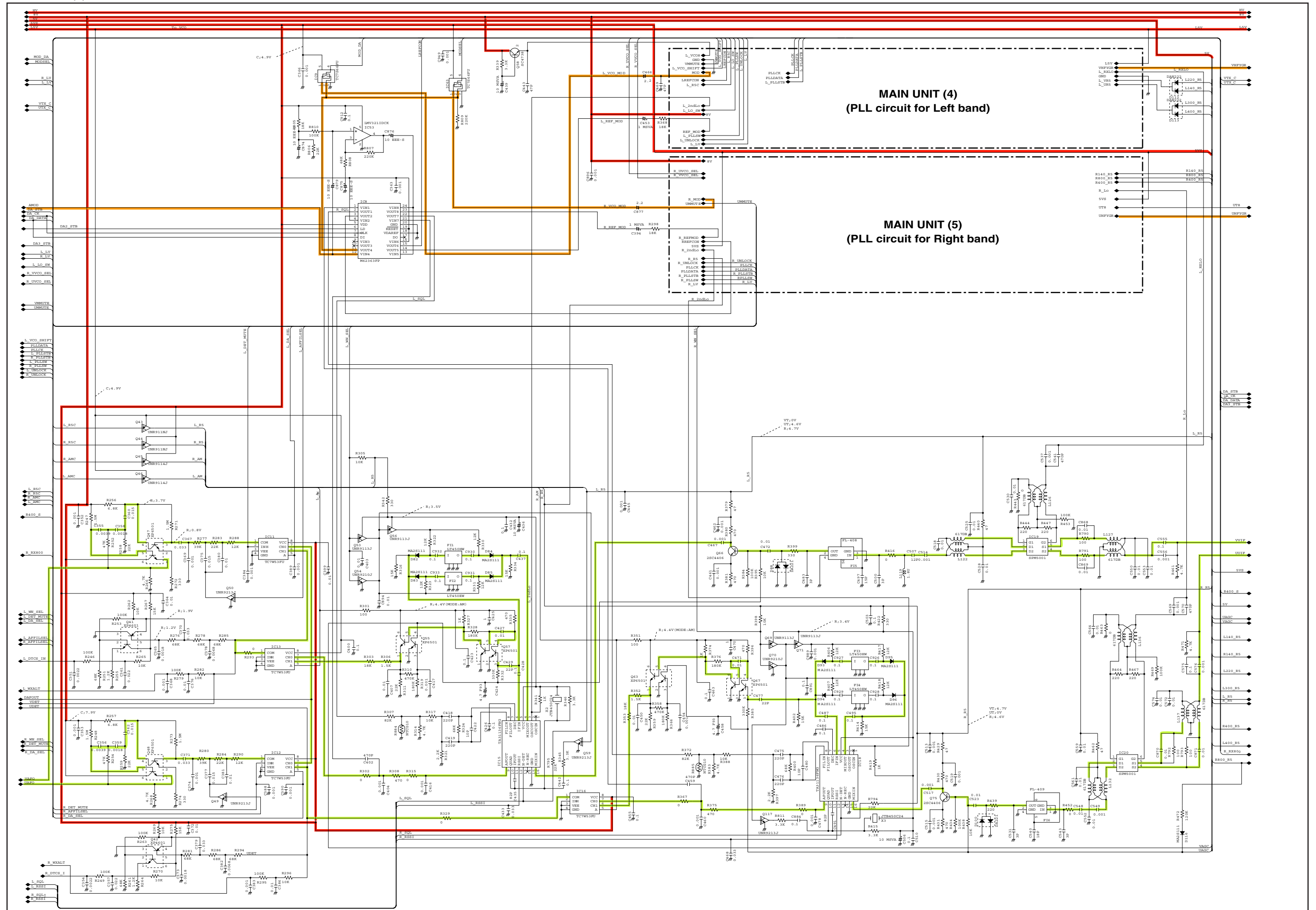
*; Refer to "PARTS LIST"

10-2 MAIN UNIT (1)



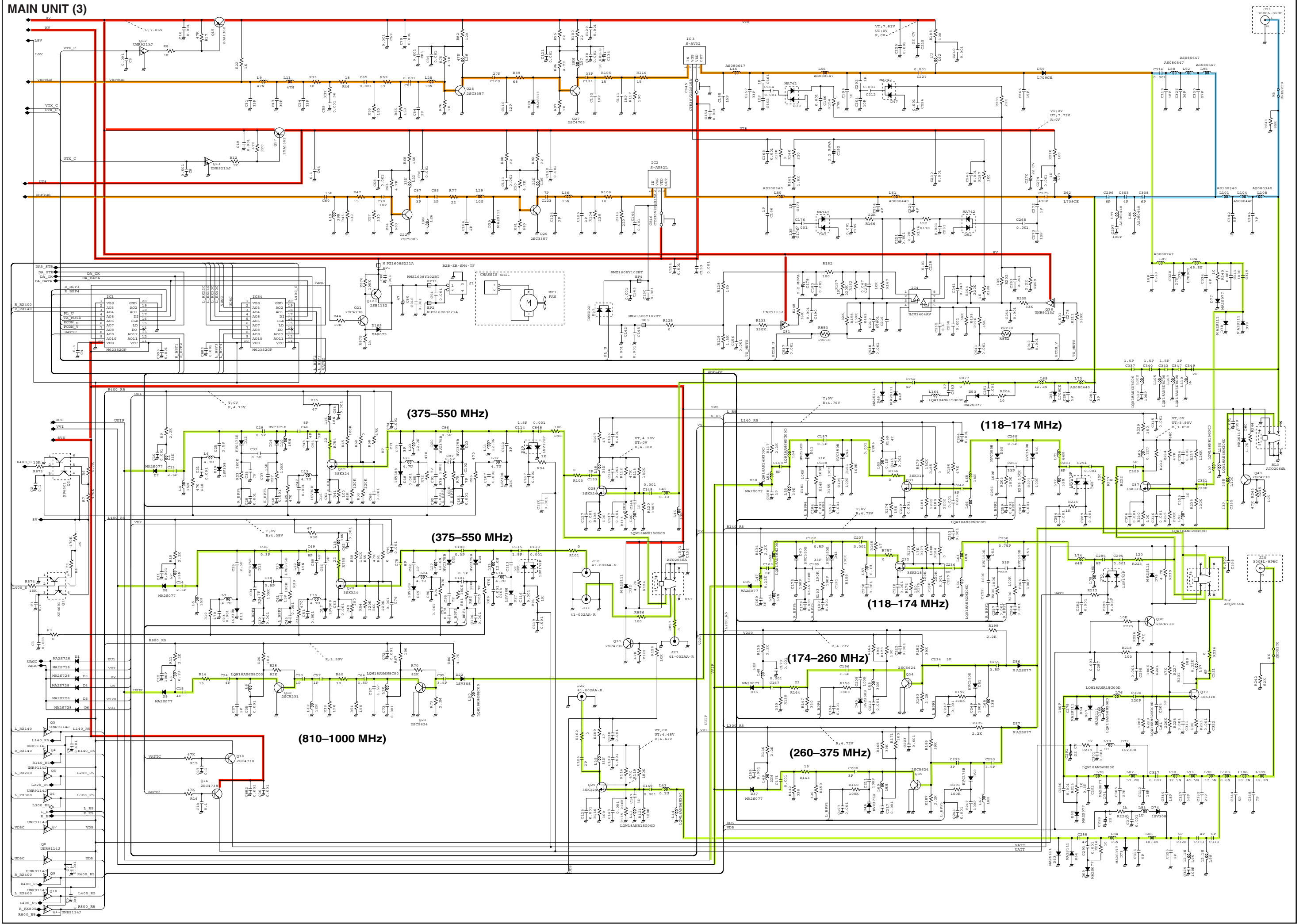
*; Refer to "PARTS LIST."

MAIN UNIT (2)



MAIN UNIT (4)
(PLL circuit for Left band)

MAIN UNIT (5)
(PLL circuit for Right band)



MAIN UNIT (3)

(375-550 MHz)

(118-174 MHz)

(375-550 MHz)

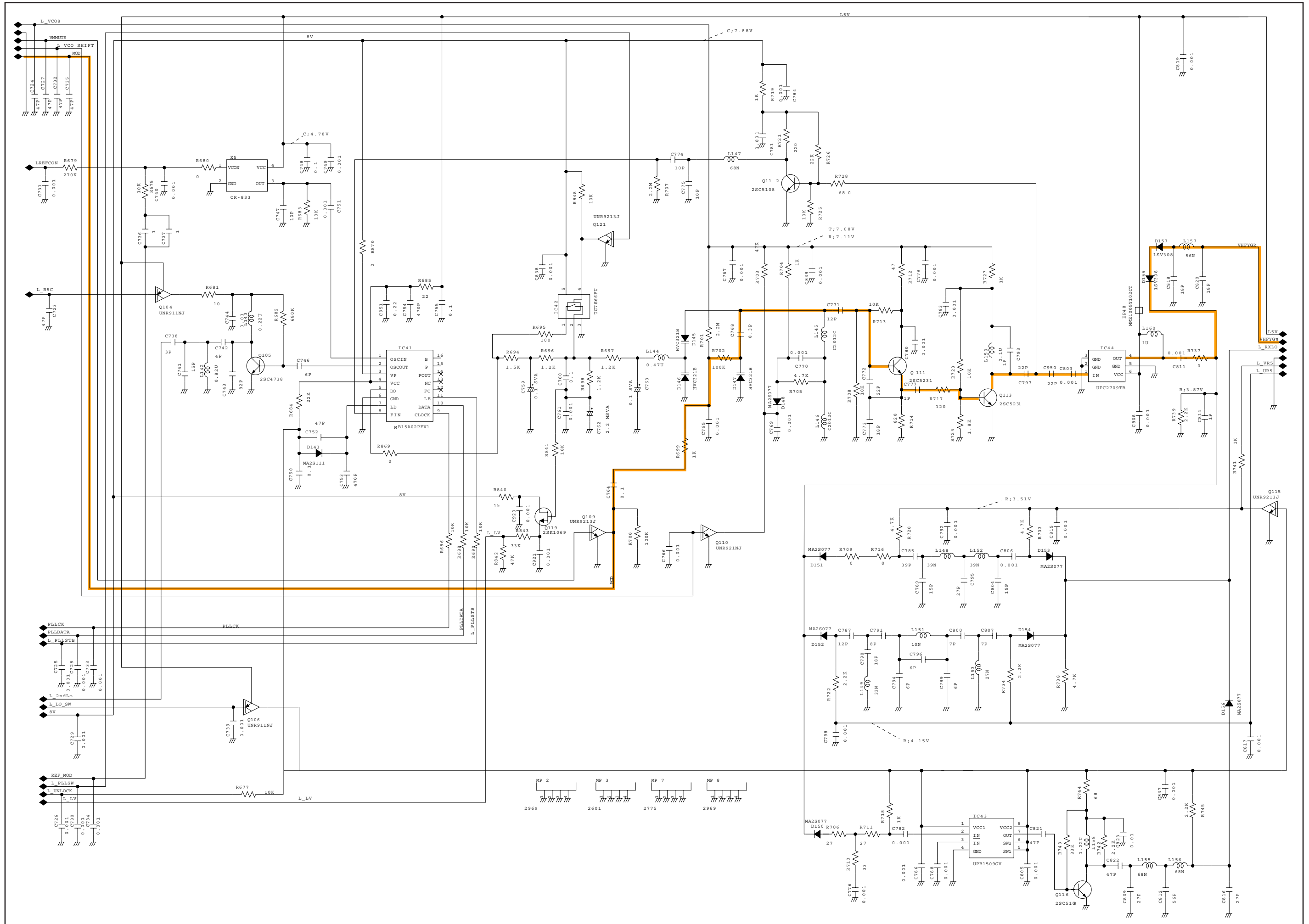
(118-174 MHz)

(174-260 MHz)

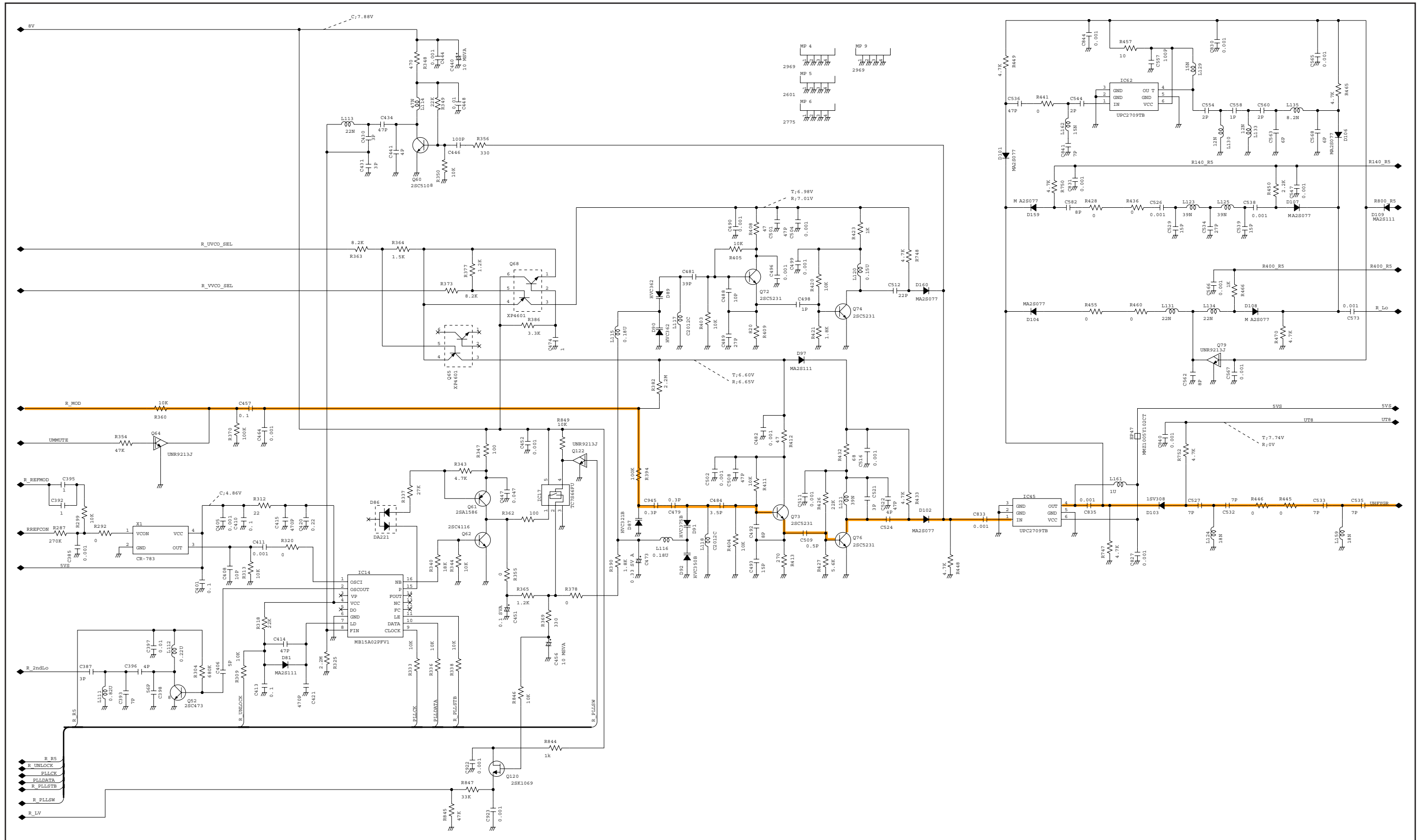
(260-375 MHz)

(810-1000 MHz)

MAIN UNIT (4)

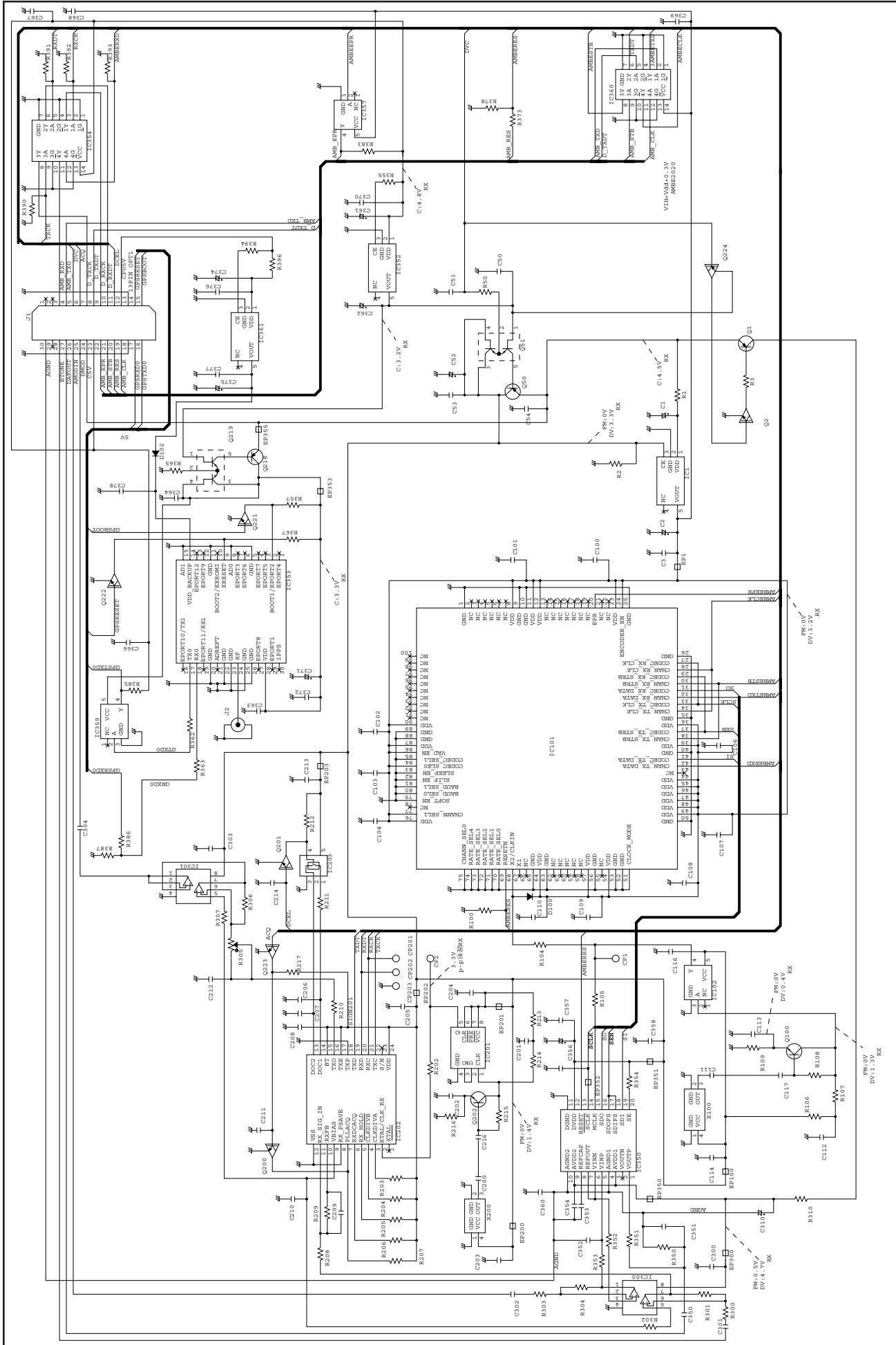


MAIN UNIT (5)



SECTION 12 UT-123 (Optional product)

VOLTAGE DIAGRAM



PARTS LIST

[MAIN UNIT]

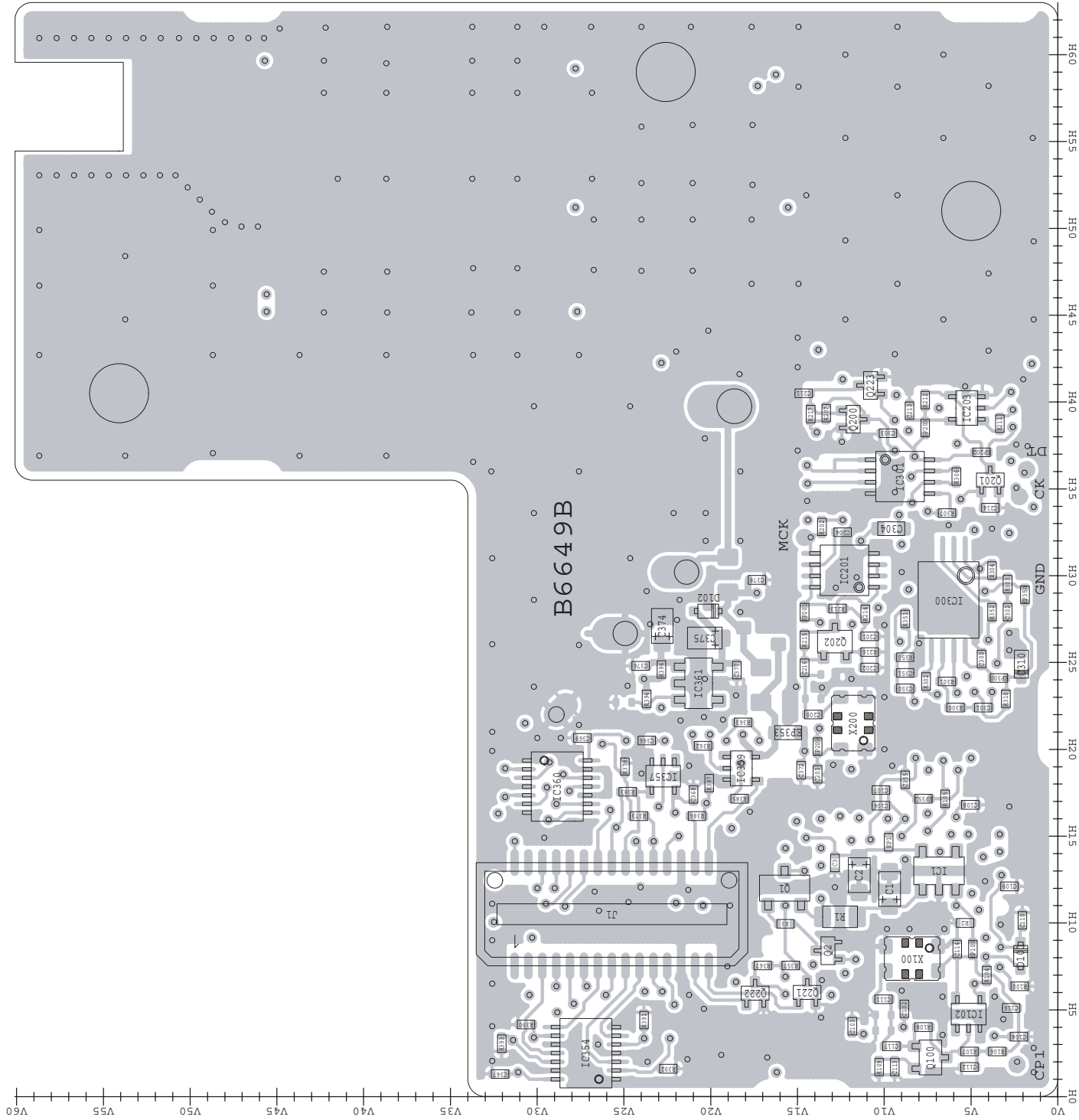
REF NO.	ORDER NO.	DESCRIPTION	M.	H/V LOCATION
IC1	1180002371	S.REG R1111N321B-TR-F	T	13/6.8
IC101	1130010920	S.IC AMBE-2020	B	9.8/9.5
IC102	1130011930	S.IC SN74LVC1G04DCKR	T	4.7/5.1
IC201	1130013440	S.IC SN74LVC2G74DCTR	T	30.3/12.3
IC202	1110005430	S.IC CMX589AD5	B	37/7.5
IC203	1130007021	S.IC TC7S66FU (TE85L,F)	T	39.6/5.2
IC300	1110005290	S.IC NJM2115V-TE1-#ZZZB	T	28.6/6.3
IC301	1130006921	S.IC TA75W01FU (TE12L,F)	T	35.7/9.1
IC350	1130011631	S.IC AD73311ARSZ	B	24.3/6.4
IC352	1180002371	S.REG R1111N321B-TR-F	B	12.9/26.7
IC353	1190002470	S.IC ITRAX130 -MRF-	B	52.2/36.7
IC354	1130013640	S.IC TC74VHCT125AFK (E,K)	T	2.5/27.2
IC357	1130013570	S.IC SN74LVC1G07DCK	T	18.4/22.7
IC359	1130013570	S.IC SN74LVC1G07DCK	T	18.9/18.2
IC360	1130013650	S.IC TC74VHC125FK (EL,K)	T	17.8/28.8
IC361	1180002371	S.REG R1111N321B-TR-F	T	23.8/20.7
Q1	1510000581	S.TR 2SA1362-GR (TE85R,F)	T	12/15.7
Q2	1590003390	S.TR UNR9215J-(TX)	T	8.4/13.2
Q50	1510000581	S.TR 2SA1362-GR (TE85R,F)	B	3.3/30.7
Q51	1590001170	S.TR XP1501-(TX) .AB	B	7.8/30.1
Q100	1530002280	S.TR 2SC4081 T106 S	T	2.2/7.3
Q200	1590003390	S.TR UNR9215J-(TX)	T	39/11.8
Q201	1590003390	S.TR UNR9215J-(TX)	T	35.5/3.9
Q202	1530002280	S.TR 2SC4081 T106 S	T	26.2/12.8
Q218	1520000561	S.TR 2SB1123 T-TD-E	B	8.6/22.5
Q219	1590001170	S.TR XP1501-(TX) .AB	B	8.1/26.4
Q221	1590003390	S.TR UNR9215J-(TX)	T	6/14.4
Q222	1590003390	S.TR UNR9215J-(TX)	T	5.9/17.4
Q223	1590003390	S.TR UNR9215J-(TX)	T	40.9/10.8
Q224	1590003250	S.TR UNR9115J-(TX)	B	5.2/24.5
D100	1790001240	S.DIO MA2S728-(TX)	T	8.1/2.1
D102	1790001240	S.DIO MA2S728-(TX)	T	27.9/20.1
X100	6050012290	S.XTL CR-820 (16.384 MHZ)	T	7.9/8.4
X200	6050012300	S.XTL CR-821 (9.8304 MHZ)	T	21.5/11.8
R1	7030000180	S.RES MCR10EZJH 22 (220)	T	10.3/12.5
R2	7030005240	S.RES ERJ2GEJ 473 X (47 k)	T	10/5.3
R3	7030005050	S.RES ERJ2GEJ 103 X (10 k)	T	9.9/15.7
R50	7030005040	S.RES ERJ2GEJ 472 X (4.7 k)	B	7.3/28.3
R100	7030005240	S.RES ERJ2GEJ 473 X (47 k)	T	6.3/2.2
R104	7030005120	S.RES ERJ2GEJ 102 X (1 k)	T	7/4.1
R105	7030007280	S.RES ERJ2GEJ 331 X (330)	T	17.1/6.5
R106	7030004980	S.RES ERJ2GEJ 101 X (100)	T	2.6/3.5
R107	7030005120	S.RES ERJ2GEJ 102 X (1 k)	T	2.6/5.1
R108	7030005090	S.RES ERJ2GEJ 104 X (100 k)	T	4/7.7
R109	7030004990	S.RES ERJ2GEJ 221 X (220)	T	1.7/10.3
R202	7030010040	S.RES ERJ2GEJ-JPW	T	32.8/13.6
R203	7030005240	S.RES ERJ2GEJ 473 X (47 k)	B	34.7/12.8
R204	7030005240	S.RES ERJ2GEJ 473 X (47 k)	B	35.6/13
R205	7030005240	S.RES ERJ2GEJ 473 X (47 k)	B	36.5/13.3
R206	7030005240	S.RES ERJ2GEJ 473 X (47 k)	B	37.4/13.8
R207	7030005240	S.RES ERJ2GEJ 473 X (47 k)	B	39.3/13.3
R208	7030005090	S.RES ERJ2GEJ 104 X (100 k)	B	41.1/13.9
R209	7030005090	S.RES ERJ2GEJ 104 X (100 k)	B	39.9/13.6
R210	7030005220	S.RES ERJ2GEJ 223 X (22 k)	B	31.5/4.1
R211	7030006610	S.RES ERJ2GEJ 394 X (390 k)	T	38.7/3.3
R212	7030005240	S.RES ERJ2GEJ 473 X (47 k)	T	40.1/7.6
R213	7030004980	S.RES ERJ2GEJ 101 X (100)	T	28.1/12.7
R214	7030005120	S.RES ERJ2GEJ 102 X (1 k)	T	27.8/11.1
R215	7030005090	S.RES ERJ2GEJ 104 X (100 k)	T	26.3/14.6
R216	7030004990	S.RES ERJ2GEJ 221 X (220)	T	25.6/10.8
R217	7030005050	S.RES ERJ2GEJ 103 X (10 k)	T	39.3/14.2
R300	7030005090	S.RES ERJ2GEJ 104 X (100 k)	T	22.4/5.9
R301	7030005310	S.RES ERJ2GEJ 124 X (120 k)	T	23.9/6.4
R302	7030005090	S.RES ERJ2GEJ 104 X (100 k)	T	23.9/7.6
R303	7030005240	S.RES ERJ2GEJ 473 X (47 k)	T	29.5/2.9
R304	7030005090	S.RES ERJ2GEJ 104 X (100 k)	T	30.3/3.8
R305	7310004610	S.TRI EVM-2WSX80 B15 (104)	B	31.3/6.7
R306	7030005060	S.RES ERJ2GEJ 333 X (33 k)	T	35.7/5.8
R307	7030005090	S.RES ERJ2GEJ 104 X (100 k)	T	33.6/6.4
R310	7030005330	S.RES ERJ2GEJ 100 X (10)	T	22.9/3
R350	7030005010	S.RES ERJ2GEJ 681 X (680)	T	25.3/8.8
R351	7030008400	S.RES ERJ2GEJ 182 X (1.8 k)	T	27.5/8.8
R352	7030005240	S.RES ERJ2GEJ 473 X (47 k)	T	27.9/3.8
R353	7030004980	S.RES ERJ2GEJ 101 X (100)	B	29.4/5.8
R354	7030005240	S.RES ERJ2GEJ 473 X (47 k)	B	20.6/11.1
R355	7030005220	S.RES ERJ2GEJ 223 X (22 k)	B	15.5/26.3
R357	7030005040	S.RES ERJ2GEJ 472 X (4.7 k)	T	7.5/15.4
R362	7030007280	S.RES ERJ2GEJ 331 X (330)	T	20.2/20.4
R363	7030007280	S.RES ERJ2GEJ 331 X (330)	T	21.5/18.1
R365	7030005000	S.RES ERJ2GEJ 471 X (470)	B	10.4/27.3
R367	7030005040	S.RES ERJ2GEJ 472 X (4.7 k)	T	7.5/17
R373	7030005050	S.RES ERJ2GEJ 103 X (10 k)	T	16.1/24.1
R378	7030008290	S.RES ERJ2GEJ 183 X (18 k)	T	19/24.9
R383	7030005050	S.RES ERJ2GEJ 103 X (10 k)	T	17.5/24.8
R385	7030005050	S.RES ERJ2GEJ 103 X (10 k)	T	17.1/18.3
R386	7030005050	S.RES ERJ2GEJ 103 X (10 k)	T	16.1/20.8
R387	7030008290	S.RES ERJ2GEJ 183 X (18 k)	T	18/20.1
R390	7030005160	S.RES ERJ2GEJ 105 X (1 M)	T	4.1/30.6
R391	7030005160	S.RES ERJ2GEJ 105 X (1 M)	T	4.4/23.8
R392	7030005160	S.RES ERJ2GEJ 105 X (1 M)	T	1.6/22.4
R393	7030005160	S.RES ERJ2GEJ 105 X (1 M)	T	3/32
R394	7030005220	S.RES ERJ2GEJ 223 X (22 k)	T	22.9/23.7
R396	7030004980	S.RES ERJ2GEJ 101 X (100)	T	24.6/22.8
C1	4550007680	S.TAN TEESVP 0J 226M8R	T	11.9/9.7
C2	4550007600	S.TAN F920J106MPABMA	T	12.7/11.4
C3	4030016930	S.CER ECJ0EB1A104K	T	13.4/12.8
C50	4030017460	S.CER ECJ0EB1E102K	B	13.1/29

[MAIN UNIT]

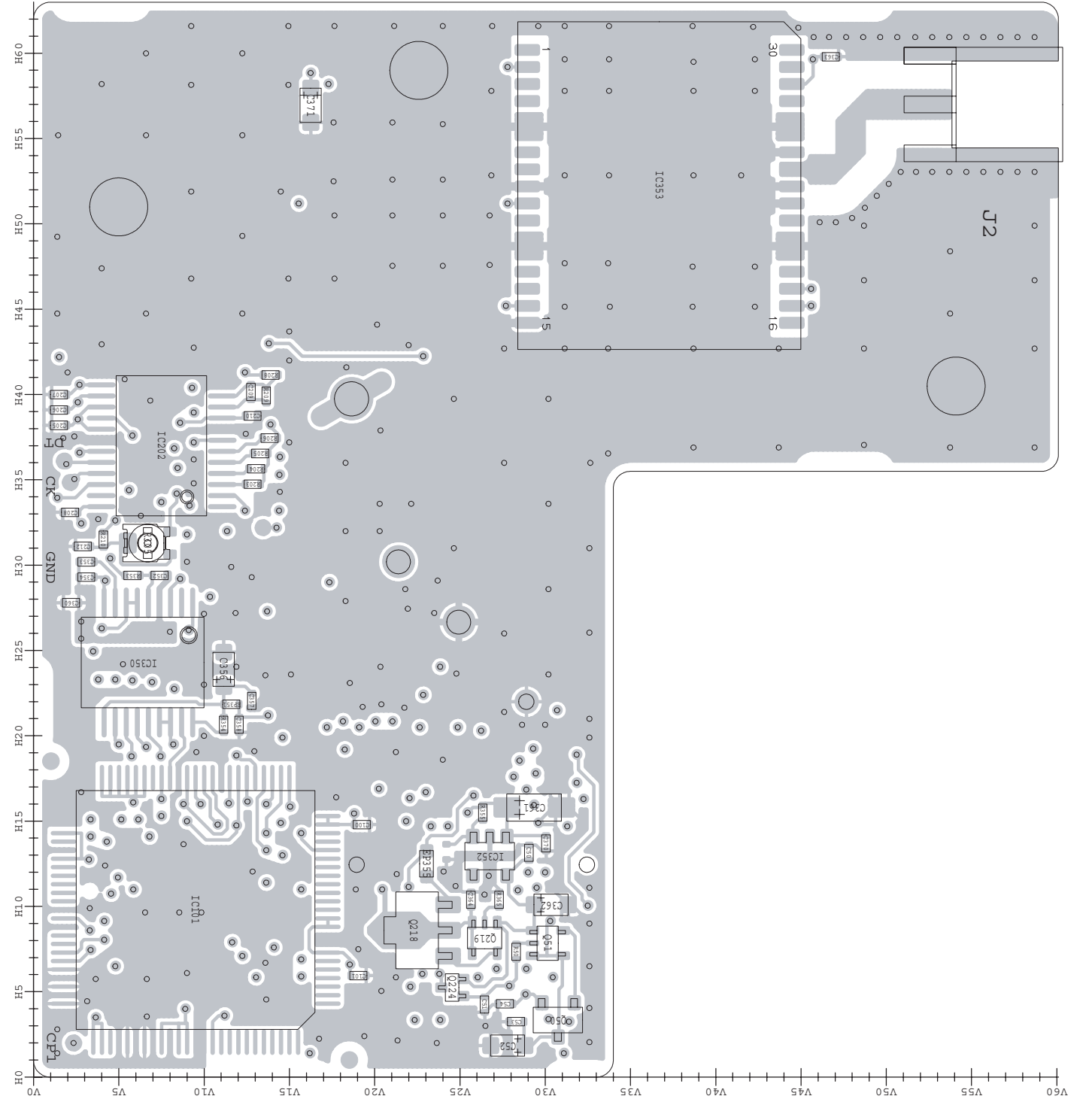
REF NO.	ORDER NO.	DESCRIPTION	M.	H/V LOCATION
C51	4030017460	S.CER ECJ0EB1E102K	B	4.2/26.4
C52	4550006930	S.TAN TEESVP 0J 225M8R	B	1.8/27.8
C53	4030017460	S.CER ECJ0EB1E102K	B	3.2/28.3
C54	4030017460	S.CER ECJ0EB1E102K	B	4.3/27.6
C100	4030016930	S.CER ECJ0EB1A104K	B	14.8/19.2
C101	4030016930	S.CER ECJ0EB1A104K	B	5.9/19
C102	4030016930	S.CER ECJ0EB1A104K	T	5/8.8
C103	4030016930	S.CER ECJ0EB1A104K	T	4/11.8
C104	4030016930	S.CER ECJ0EB1A104K	T	3.4/2.2
C106	4030016930	S.CER ECJ0EB1A104K	T	16.7/10.2
C107	4030016930	S.CER ECJ0EB1A104K	T	17.6/10.2
C108	4030016930	S.CER ECJ0EB1A104K	T	16.8/5
C109	4030016930	S.CER ECJ0EB1A104K	T	12.1/8.2
C110	4030017420	S.CER ECJ0EC1H470J	T	10.1/2
C111	4030017460	S.CER ECJ0EB1E102K	T	5.6/10
C112	4030016930	S.CER ECJ0EB1A104K	T	1.7/5.1
C113	4030016930	S.CER ECJ0EB1A104K	T	1.7/9.4
C114	4030016930	S.CER ECJ0EB1A104K	T	8.5/5.8
C116	4030016930	S.CER ECJ0EB1A104K	T	5.1/2.7
C117	4030017460	S.CER ECJ0EB1E102K	T	2.9/9.6
C200	4030017460	S.CER ECJ0EB1E102K	T	22/14.1
C201	4030016930	S.CER ECJ0EB1A104K	T	26.5/10.8
C202	4030016930	S.CER ECJ0EB1A104K	T	24.7/10.8
C203	4030016930	S.CER ECJ0EB1A104K	T	18.5/13.8
C204	4030017460	S.CER ECJ0EB1E102K	T	32.5/12.4
C205	4030016930	S.CER ECJ0EB1A104K	B	38.2/1.5
C206	4030017030	S.CER ECJ0EB1A273K	B	39.1/1.5
C207	4030017030	S.CER ECJ0EB1A273K	B	40/1.5
C208	4030016930	S.CER ECJ0EB1A104K	B	33.1/2.1
C209	4030017400	S.CER ECJ0EC1H220J	B	40.1/12.7
C210	4030018860	S.CER ECJ0EB0J105K	B	38.7/12.8
C211	4030017460	S.CER ECJ0EB1E102K	T	40.5/14.6
C212	4030017760	S.CER ECJ0EB1H222K	B	31.1/2.9
C213	4030016930	S.CER ECJ0EB1A104K	T	39.5/8.5
C214	4030017460	S.CER ECJ0EB1E102K	T	33.9/3.9
C216	4030017460	S.CER ECJ0EB1E102K	T	24.7/14.6
C300	4030016930	S.CER ECJ0EB1A104K	T	25.2/4.4
C301	4030018860	S.CER ECJ0EB0J105K	T	22.4/4.3
C302	4030016930	S.CER ECJ0EB1A104K	T	27.9/2.9
C303	4030016930	S.CER ECJ0EB1A104K	T	38.2/9.8
C304	4030017490	S.CER C1608 JB 1A 105K-T	T	32.7/9.6
C310	4550007730	S.TAN TEESVP 0J 106M8R	T	24.9/2.1
C350	4030016930	S.CER ECJ0EB1A104K	T	23.5/8.8
C351	4030016970	S.CER ECJ0EB1C223K	T	24.4/8.8
C352	4030016950	S.CER ECJ0EB1A473K	B	29.4/7.4
C353	4030016930	S.CER ECJ0EB1A104K	B	30.2/3.1
C354	4030016930	S.CER ECJ0EB1A104K	B	29.3/3.1
C355	4030017420	S.CER ECJ0EC1H470J	B	18.2/8.8
C356	4550006930	S.TAN TEESVP 0J 225M8R	B	23.9/11.1
C357	4030016930	S.CER ECJ0EB1A104K	B	22/12.8
C358	4030016930	S.CER ECJ0EB1A104K	B	20.6/12
C360	4030017460	S.CER ECJ0EB1E102K	B	27.8/2.2
C361	4550007090	S.TAN TEESVA 1A 226M8R	B	15.8/29.3
C362	4550007600	S.TAN F920J106MPABMA	B	10.1/30.3
C363	4030016970	S.CER ECJ0EB1C103K	B	59.8/46.7
C364	4030016970	S.CER ECJ0EB1C103K	B	10.4/25.6
C366	4030016970	S.CER ECJ0EB1C103K	T	20.5/23.7
C367	4030016970	S.CER ECJ0EB1C103K	T	1.3/32.1
C368	4030016970	S.CER ECJ0EB1C103K	T	17.4/21
C369	4030016970	S.CER ECJ0EB1C103K	T	20.6/27.4
C370	4030016970	S.CER ECJ0EB1C103K	B	13.7/30
C371	4550006930	S.TAN TEESVP 0J 225M8R	B	56.9/16.2
C372	4030016970	S.CER ECJ0EB1C103K	T	18.8/14.8
C374	4550007600	S.TAN F920J106MPABMA	T	27.1/22.8
C375	4550007600	S.TAN F920J106MPABMA	T	26.4/20.3
C376	4030016970	S.CER ECJ0EB1C103K	T	24.8/24
C377	4030016970	S.CER ECJ0EB1C103K	T	24.5/18.5
C378	4030017460	S.CER ECJ0EB1E102K	T	29.7/17.3
J1	6510018440	S.CNR AXN430C330P	T	10.5/25.7
J1	6510025790	S.CNR AXN430C030S	T	10.5/25.7
EP1	6910018460	S.BEA MMZ1005Y102C-T	T	14.6/9.7
EP100	6910018460	S.BEA MMZ1005Y102C-T	T	8.5/4.9
EP200	6910018460	S.BEA MMZ1005Y102C-T	T	20.1/13.8
EP201	6910018460	S.BEA MMZ1005Y102C-T	T	27.9/14.6
EP202	6910018460	S.BEA MMZ1005Y102C-T	T	37.1/4.4
EP203	6910018460	S.BEA MMZ1005Y102C-T	T	38.5/7.6
EP300	691001846			

• BOARD LAYOUTS

• MAIN UNIT (TOP VIEW)



• MAIN UNIT (BOTTOM VIEW)



Icom Inc.

1-1-32, Kamiminami, Hirano-ku, Osaka 547-0003, Japan
Phone : +81 (06) 6793 5302
Fax : +81 (06) 6793 0013
URL : <http://www.icom.co.jp/world/index.html>

Icom America Inc.

<Corporate Headquarters>
2380 116th Avenue N.E., Bellevue, WA 98004, U.S.A.
Phone : +1 (425) 454-8155 Fax : +1 (425) 454-1509
URL : <http://www.icomamerica.com>
E-mail : sales@icomamerica.com
<Customer Service>
Phone : +1 (425) 454-7619

Icom Canada

Glenwood Centre #150-6165
Highway 17 Delta, B.C., V4K 5B8, Canada
Phone : +1 (604) 952-4266 Fax : +1 (604) 952-0090
URL : <http://www.icomcanada.com>
E-mail : info@icomcanada.com

Icom (Australia) Pty. Ltd.

Unit 1 / 103 Garden Road, Clayton VIC 3168 Australia
Phone : +61 (03) 9549-7500 Fax : +61 (03) 9549-7505
URL : <http://www.icom.net.au>
E-mail : sales@icom.net.au

Icom New Zealand

146A Harris Road, East Tamaki,
Auckland, New Zealand
Phone : +64 (09) 274 4062 Fax : +64 (09) 274 4708
URL : <http://www.icom.co.nz>
E-mail : inquiries@icom.co.nz

Beijing Icom Ltd.

10C01, Long silver Mansion, No.88, YongDing
Road, Haidian District, Beijing, 100039, China
Phone : +86 (010) 5889 5391/5392/5393
Fax : +86 (010) 5889 5395
E-mail : bjicom@bjicom.com
URL : <http://www.bjicom.com>

Icom (Europe) GmbH

Communication Equipment
Himmelgeister Str. 100, D-40225 Düsseldorf, Germany
Phone : +49 (0211) 346047 Fax : +49 (0211) 333639
URL : <http://www.icomeurope.com>
E-mail : info@icomeurope.com

Icom Spain S.L

Ctra. Rubi, 88, 08190, Sant Cugat del Valles, Barcelona, SPAIN
Phone : +34 (93) 590 26 70 Fax : +34 (93) 589 04 46
URL : <http://www.icomspain.com>
E-mail : icom@icomspain.com

Icom (UK) Ltd.

Unit 9, Sea St., Herne Bay, Kent, CT6 8LD, U.K.
Phone : +44 (01227) 741741 Fax : +44 (01227) 741742
URL : <http://www.icomuk.co.uk>
E-mail : info@icomuk.co.uk

Icom France s.a.s.

Zac de la Plaine
1 Rue Brindejonc des Moulinais BP 5804
31505 Toulouse Cedex, France
Phone : +33 (5) 61 36 03 03 Fax : +33 (5) 61 36 03 00
URL : <http://www.icom-france.com>
E-mail : icom@icom-france.com

Asia Icom Inc.

6F No.68, Sec. 1 Cheng-Teh Road, Taipei, Taiwan, R.O.C.
Phone : +886 (02) 2559 1899 Fax : +886 (02) 2559 1874
URL : <http://www.asia-icom.com>
E-mail : sales@asia-icom.com

Icom Polska

Sopot, 3 Maja 54 Poland
Phone : +48 (58) 550 7135 Fax : +48 (58) 551 0484
E-mail : icompolska@icompolska.com.pl

Count on us!

Icom Inc.

1-1-32, Kamiminami, Hirano-ku, Osaka 547-0003, Japan

S-14326XZ-C1
© 2007 Icom Inc.