



SERVICE MANUAL

HF/VHF TRANSCEIVER

IC-746

INTRODUCTION

This service manual describes the latest service information for the **IC-746 HF/VHF TRANSCEIVER**.

| MODEL | VERSION | SYMBOL |
|--------|---------|--------|
| IC-746 | U.S.A. | USA |
| | Europe | EUR |
| | France | FRA |
| | Denmark | DEN |

To upgrade quality, any electrical or mechanical parts and internal circuits are subject to change without notice or obligation.

DANGER

NEVER connect the transceiver to an AC outlet or to a DC power supply that uses more than 16 V. This will ruin the transceiver.

DO NOT expose the transceiver to rain, snow or any liquids.

DO NOT reverse the polarities of the power supply when connecting the transceiver.

DO NOT apply an RF signal of more than 20 dBm (100 mW) to the antenna connector. This could damage the transceiver's front end.



ORDERING PARTS

Be sure to include the following four points when ordering replacement parts:

1. 10-digit order numbers
2. Component part number and name
3. Equipment model name and unit name
4. Quantity required

<SAMPLE ORDER>

1110002600 S.IC MC1496D IC-746 MAIN UNIT 5 pieces
8810008660 Screw BT M3x8 NI-ZU IC-746 Bottom cover 10 pieces
Addresses are provided on the inside back cover for your convenience.

REPAIR NOTES

1. Make sure a problem is internal before disassembling the transceiver.
2. **DO NOT** open the transceiver until the transceiver is disconnected from its power source.
3. **DO NOT** force any of the variable components. Turn them slowly and smoothly.
4. **DO NOT** short any circuits or electronic parts. An insulated tuning tool **MUST** be used for all adjustments.
5. **DO NOT** keep power ON for a long time when the transceiver is defective.
6. **DO NOT** transmit power into a signal generator or a sweep generator.
7. **ALWAYS** connect a 50 dB to 60 dB attenuator between the transceiver and a deviation meter or spectrum analyzer when using such test equipment.
8. **READ** the instructions of test equipment thoroughly before connecting equipment to the transceiver.

TABLE OF CONTENTS

| | | |
|-------------------|---|--------|
| SECTION 1 | SPECIFICATIONS | |
| SECTION 2 | INSIDE VIEWS | |
| SECTION 3 | DISASSEMBLY AND OPTION INSTALLATIONS | |
| SECTION 4 | CIRCUIT DESCRIPTION | |
| 4 - 1 | RECEIVER CIRCUITS..... | 4 - 1 |
| 4 - 2 | TRANSMITTER CIRCUITS..... | 4 - 4 |
| 4 - 3 | PLL CIRCUITS..... | 4 - 6 |
| 4 - 4 | ANTENNA TUNER CIRCUITS..... | 4 - 7 |
| 4 - 5 | POWER SUPPLY CIRCUITS..... | 4 - 8 |
| 4 - 6 | PORT ALLOCATIONS..... | 4 - 9 |
| SECTION 5 | ADJUSTMENT PROCEDURES | |
| 5 - 1 | PREPARATION BEFORE SERVICING..... | 5 - 1 |
| 5 - 2 | PLL ADJUSTMENT..... | 5 - 2 |
| 5 - 3 | TRANSMITTER ADJUSTMENT..... | 5 - 4 |
| 5 - 4 | RECEIVER ADJUSTMENT..... | 5 - 8 |
| 5 - 5 | ADJUSTMENT MODE..... | 5 - 11 |
| SECTION 6 | PARTS LIST | |
| SECTION 7 | MECHANICAL PARTS | |
| SECTION 8 | SEMI-CONDUCTOR INFORMATION | |
| SECTION 9 | BOARD LAYOUTS | |
| 9 - 1 | S-LOGIC BOARD..... | 9 - 1 |
| 9 - 2 | DISPLAY BOARD..... | 9 - 3 |
| 9 - 3 | MODE BOARD..... | 9 - 3 |
| 9 - 4 | PHONE BOARD..... | 9 - 3 |
| 9 - 5 | PBT, RIT AND MIC BOARDS..... | 9 - 4 |
| 9 - 6 | TEN-KEY AND FILTER BOARDS..... | 9 - 5 |
| 9 - 7 | MAIN UNIT..... | 9 - 7 |
| 9 - 8 | RF UNIT..... | 9 - 9 |
| 9 - 9 | PA UNIT..... | 9 - 11 |
| 9 - 10 | CTRL AND TUNER UNITS..... | 9 - 12 |
| SECTION 10 | BLOCK DIAGRAM | |
| SECTION 11 | VOLTAGE DIAGRAM | |
| 11 - 1 | GENERAL..... | 11 - 1 |
| 11 - 2 | FRONT UNIT..... | 11 - 2 |
| 11 - 3 | MAIN UNIT (2), (3)..... | 11 - 3 |
| 11 - 4 | MAIN UNIT..... | 11 - 4 |
| 11 - 5 | RF UNIT..... | 11 - 5 |
| 11 - 6 | PA AND FILTER UNITS..... | 11 - 6 |
| 11 - 7 | TUENR AND CTRL UNITS..... | 11 - 7 |

SECTION 1 SPECIFICATIONS

■ GENERAL

- Frequency coverage :
 - Receive : 0.030– 60.000 MHz*1
 - 108.000–174.000 MHz*1
 - Transmit : 1.800– 1.999 MHz*2
 - 3.500– 3.999 MHz*2
 - 7.000– 7.300 MHz*2
 - 10.100– 10.150 MHz
 - 14.000– 14.350 MHz
 - 18.068– 18.168 MHz
 - 21.000– 21.450 MHz
 - 24.890– 24.990 MHz
 - 28.000– 29.700 MHz
 - 50.000– 54.000 MHz*2
 - 144.000–148.000 MHz*2

*1except for some frequency ranges

*2depending on version

- Mode : USB, LSB, CW, RTTY, AM, FM
- No. of memory channels : 102 (99 regular, 2 scan edges and 1 call)
- Frequency stability :
 - Less than ± 7 ppm from 1 min. to 60 min. after power ON.
 - After that, rate of stability change is less than ± 1 ppm at 25°C (+77°F). Temperature fluctuations (0°C to +50°C; +32°F to +122°F) less than ± 5 ppm.
- Power supply requirement : 13.8 V DC $\pm 15\%$ (negative ground)
- Current drain (at 13.8 V DC) :
 - Transmit max. power 20.0 A
 - Receive max. audio 2.0 A
 - standby 1.8 A
- Antenna connector : SO-239 $\times 3$ (2 for HF/50 MHz and 1 for 144 MHz bands; 50 Ω)
- Dimensions : 287(W) \times 122.5(H) \times 316(D) mm (projections not included) 11 $\frac{5}{16}$ (W) \times 4 $\frac{13}{16}$ (H) \times 12 $\frac{7}{16}$ (D) in
- Weight (approx.) : 8.9 kg; 19 lb 10 oz
- REMOTE connector : 2-conductor 3.5 (d) mm ($\frac{1}{8}$ "

■ TRANSMITTER

- Output power : 5–100 W (except AM)
- 5–40 W (AM only)
- Modulation system :
 - USB, LSB : Balanced modulation
 - AM : Low power modulation
 - FM : Variable reactance modulation
- Spurious emissions : Less than –50 dB (HF)
- Less than –60 dB (50, 144 MHz)
- Carrier suppression : More than 40 dB
- Unwanted sideband suppression : More than 50 dB
- Δ TX variable range : ± 9.999 kHz
- Microphone connector : 8-pin connector (600 Ω)
- ELE-KEY connector : 3-conductor 6.25 (d) mm ($\frac{1}{4}$ "
- KEY connector : 2-conductor 6.25 (d) mm ($\frac{1}{4}$ "
- SEND connector : Phono (RCA)
- ALC connector : Phono (RCA)

■ RECEIVER

- Receive system :
 - SSB, CW, RTTY : Quadruple-conversion superheterodyne
 - AM, FM : Triple-conversion superheterodyne
- Intermediate frequencies : (Unit: MHz)

| Mode | SSB | CW, RTTY | AM | FM |
|------|----------|----------|---------|---------|
| 1st | 69.0115 | 69.0106 | 69.0100 | 69.0115 |
| 2nd | 9.0115 | 9.0106 | 9.0100 | 9.0115 |
| 3rd | 0.455 | | | |
| 4th | 0.015625 | | — | |

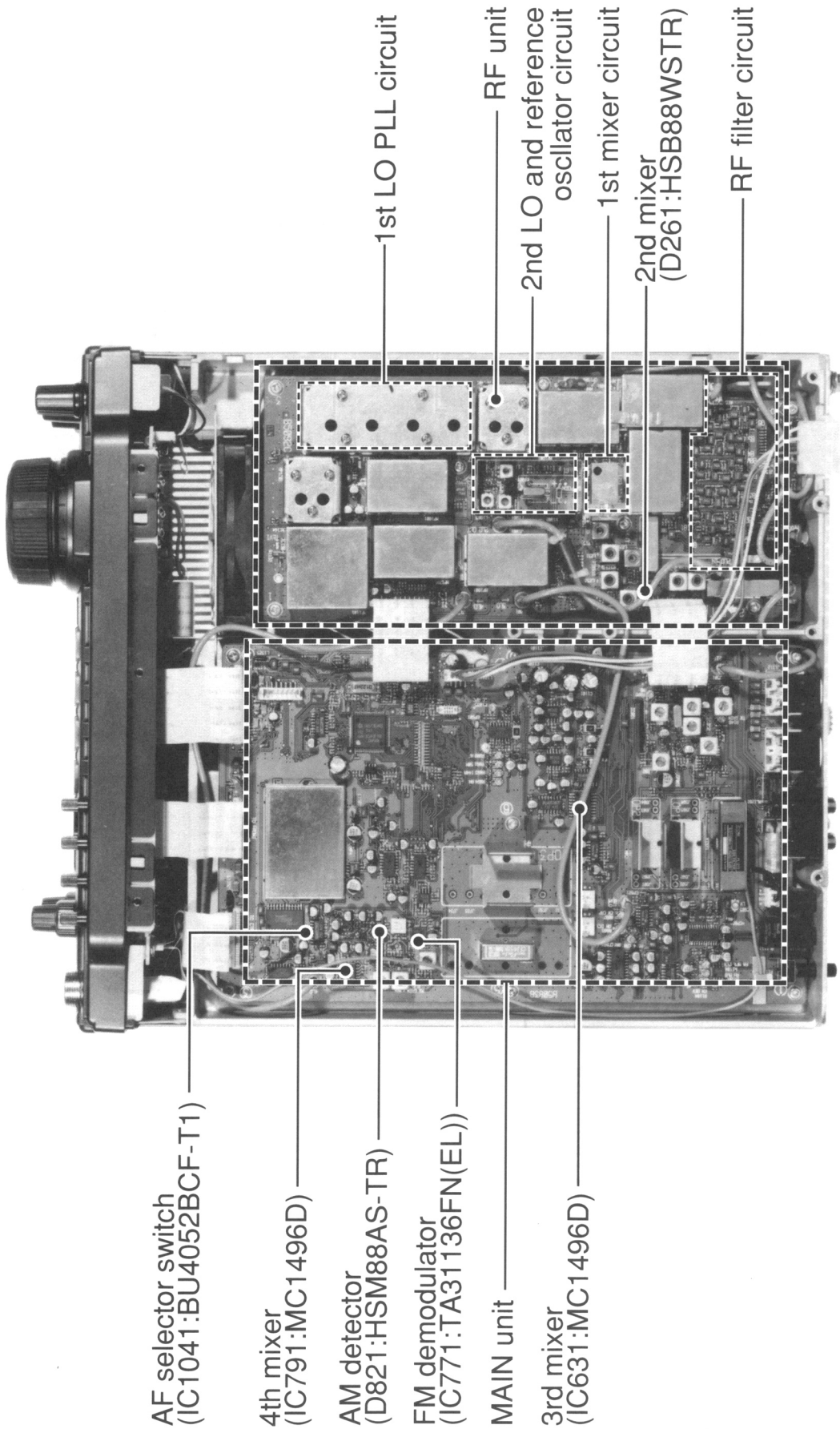
- Sensitivity (typical) :
 - USB, LSB, CW, RTTY (10 dB S/N) : 0.16 μ V*1 (1.8–29.990 MHz)
 - 0.13 μ V*2 (50 MHz)
 - 0.11 μ V*3 (144 MHz)
 - AM (10 dB S/N) : 13 μ V (0.5–1.799 MHz)
 - 2.0 μ V*1 (1.8–29.990 MHz)
 - 1.0 μ V*2,3 (50/144 MHz)
 - FM (12 dB SINAD) : 0.5 μ V*1 (28–29.990 MHz)
 - 0.25 μ V*2 (50 MHz)
 - 0.18 μ V*3 (144 MHz)
- **Preamp-1 ON, **Preamp-2 ON, **Preamp ON
- Selectivity :
 - SSB, CW, RTTY : More than 2.1 kHz/–6 dB
 - Less than 4.0 kHz/–60 dB
 - AM, FM-N : More than 9.0 kHz/–6 dB
 - Less than 20.0 kHz/–40 dB
 - FM : More than 12 kHz/–6 dB
 - Less than 30 kHz/–50 dB
- Squelch sensitivity :
 - USB, LSB, CW, RTTY : Less than 5.6 μ V
 - FM : Less than 1.0 μ V
- Spurious and image rejection ratio: (except IF through on 50 MHz) More than 70 dB (HF, 50 MHz)
- More than 60 dB (144 MHz)
- RIT variable range : ± 9.999 kHz
- Audio output power : More than 2.0 W (at 13.8 V DC with an 8 Ω load)
- PHONE connector : 3-conductor 6.25 (d) mm ($\frac{1}{4}$ "
- SP connector : 2-conductor 3.5 (d) mm ($\frac{1}{8}$ " 8 Ω)

All stated specifications are subject to change without notice or obligation.

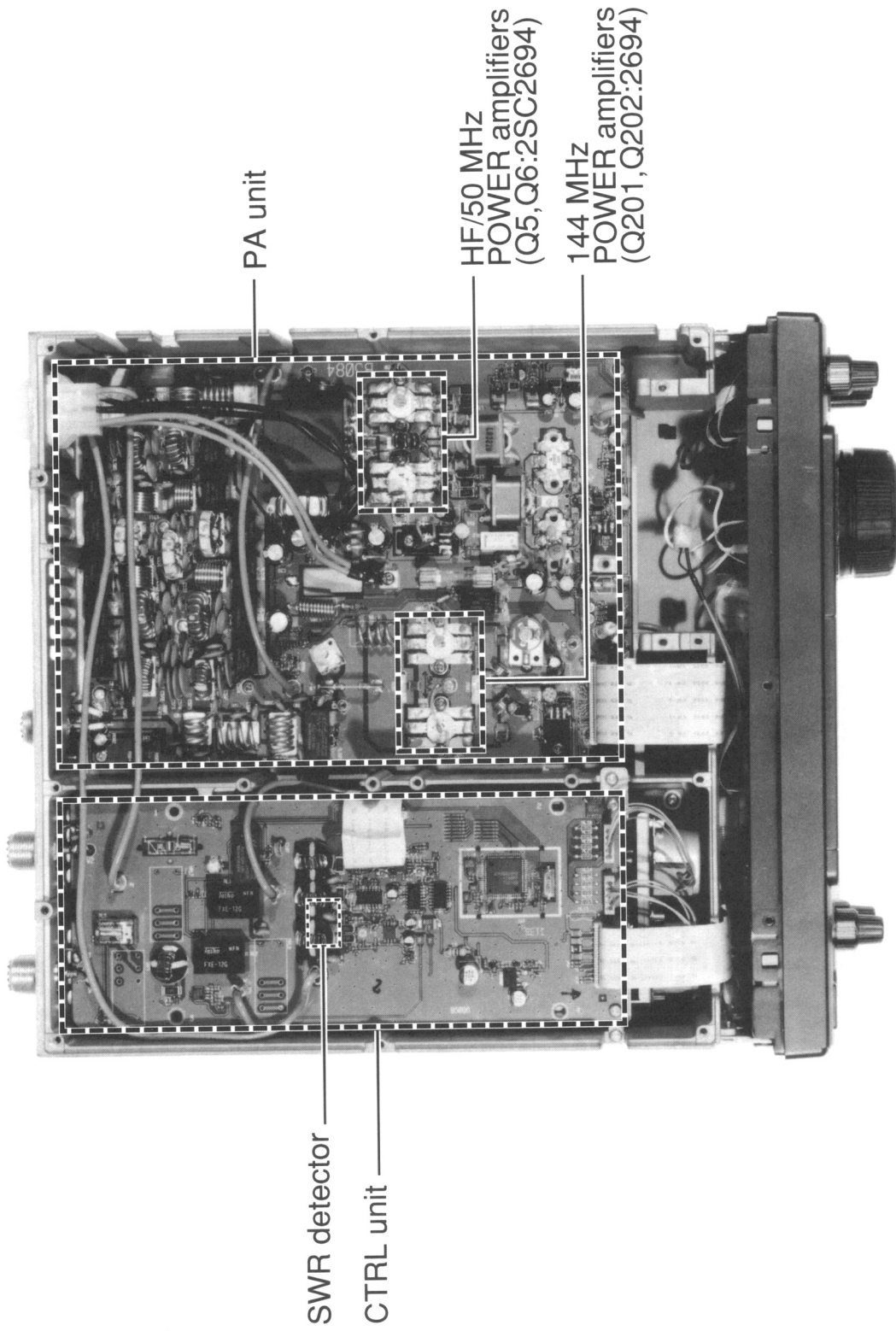
SECTION 2

INSIDE VIEWS

• MAIN AND RF UNITS



• PA AND CTRL UNITS



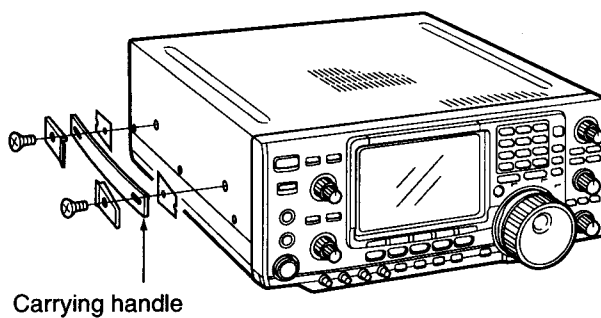
SECTION 3

DISASSEMBLY AND OPTION INSTRUCTIONS

● Opening the transceiver's case

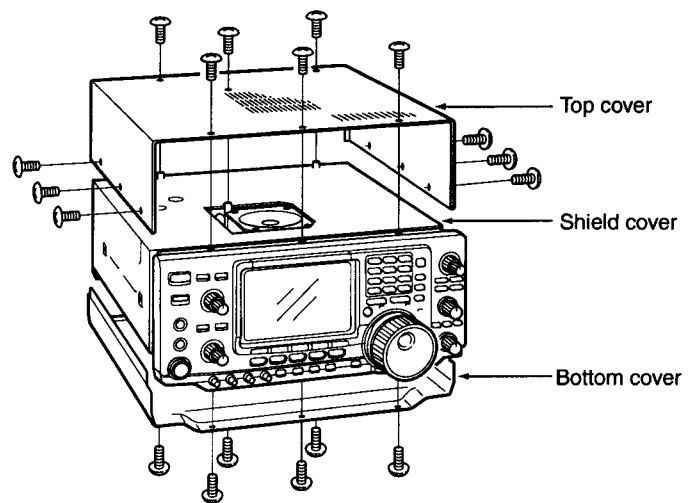
Follow the case and cover opening procedures shown here when you want to install an optional unit or adjust the internal units, etc.

- ① Unscrew 2 screws from the left side of the transceiver to remove the carrying handle as shown below.



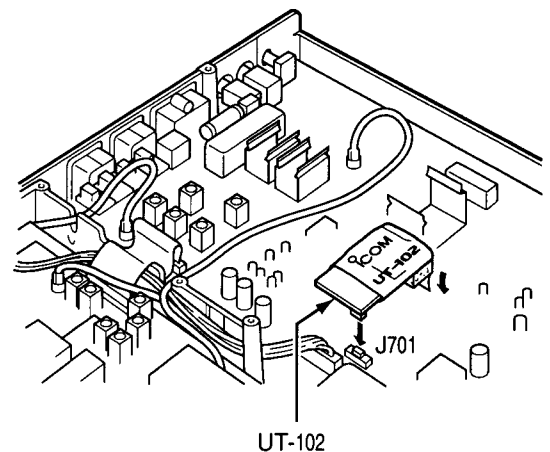
CAUTION: DISCONNECT the DC power cable from the transceiver before performing any work on the transceiver. Otherwise, there is danger of electric shock and/or equipment damage.

- ② Unscrew 6 screws from the top of the transceiver and 4 screws from the sides, then lift up the top cover.
- ③ Turn the transceiver upside down.
- ④ Unscrew 6 screws from the bottom of the transceiver, then lift up the bottom cover.



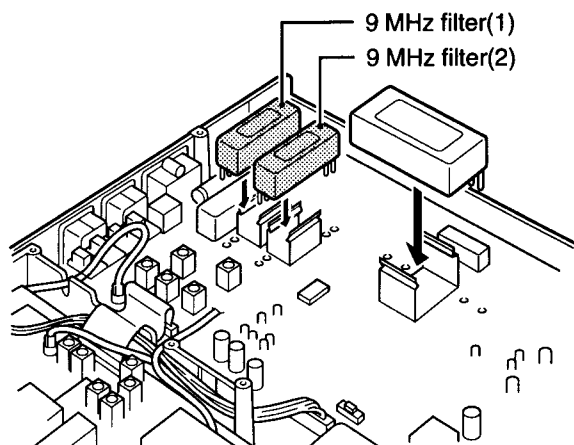
● UT-102 VOICE SYNTHESIZER UNIT

- ① Remove the top and bottom covers as shown above.
- ② Remove the protective paper attached to the bottom of the UT-102 to expose the adhesive strip.
- ③ Plug UT-102 into J701 (SPEECH UT-102) on the MAIN unit as shown in the diagram at right.
- ④ Return the top/bottom covers to their original positions.

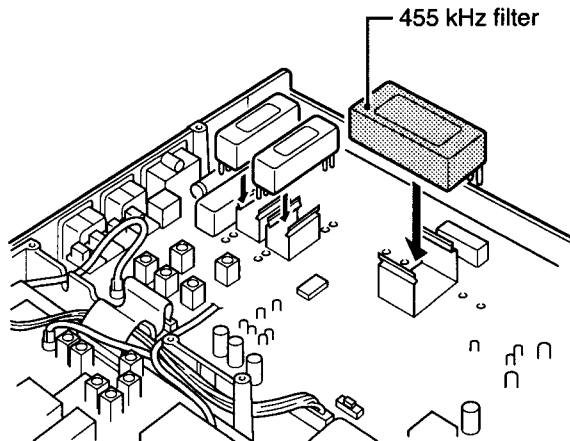


● **Optional IF filters**

- ① Remove the top and bottom covers as shown on the previous page.
- ② Turn the transceiver upside down. Install the desired filter as shown in the diagram at right.
 - The 9 MHz filters can be installed in either direction.
- ③ Replace the top/bottom covers.

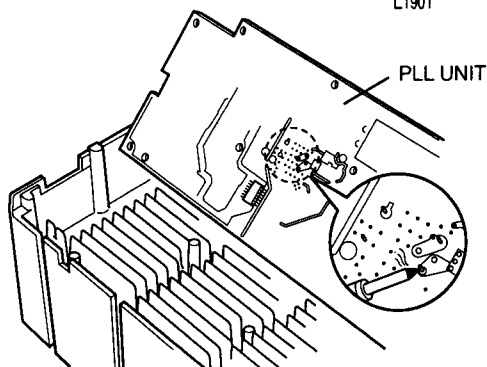
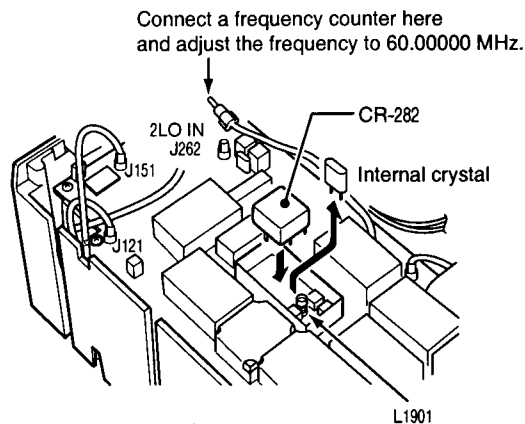


/// **NOTE:** After filter installation, specify the installed filter using set mode. (See instruction manual) Otherwise, the installed filter will not function properly.



● **CR-282 HIGH STABILITY CRYSTAL UNIT**

- ① Remove the top and bottom covers as shown on the previous page.
- ② Turn the transceiver upside down. Unscrew 8 screws from the PLL UNIT, disconnect J121 and J151, then remove the PLL UNIT.
- ③ Remove the supplied internal crystal and replace with the CR-282.
- ④ Adjust the reference frequency using a frequency counter.
- ⑤ Return the PLL UNIT and top/bottom covers to their original positions.



SECTION 4 CIRCUIT DESCRIPTION

4-1 RECEIVER CIRCUITS

4-1-1 RF SWITCHING CIRCUIT (CTRL, RF AND PA UNITS)

The RF switching circuit leads receive signals to bandpass filters from an antenna connector while receiving. However, the circuit leads the signal from the RF power amplifier to the antenna connector while transmitting.

HF/6 m band RF signals from [ANT 1] or [ANT 2] pass through the antenna selector (CTRL unit, RL3), tuner switching (CTRL unit, RL1, RL2), transmit/receive switching (CTRL unit, RL4) relays, and low-pass filter (L27, L28, C63–C66, C105), and are then applied to the RF unit via J2.

The signals from the CTRL unit bypass or pass through the 20 dB attenuator (RF unit, RL1, R1, R2). By selecting the attenuator, 0 (bypass) and 20 dB attenuations are obtained. The signals are then applied to the RF filters.

While operating on the 144 MHz band, the 144 MHz band RF signals from the [144 MHz ANT] are passed through the low-pass filter (PA unit, L601–L603, C602, C604–C609) and transmit/receive switching relay (PA unit, RL601), then applied to the RF unit via P601.

4-1-2 RF FILTER CIRCUIT (RF UNIT)

The RF filter circuit contains 8 bandpass and 2 low-pass filters. Bandpass filters pass only the desired band signals and suppress any undesired band signals.

(1) 0.03–1.6 MHz

The signals are applied to the attenuator and low-pass filter directly (see above at right).

(2) 1.6–60 MHz

The signals pass through the high-pass filter (L2–L4, C4–C7) to suppress excessively strong signals below 1.6 MHz. The filtered signals are applied to a low-pass or one of 8 bandpass filters (see above at right).

(3) 108–174 MHz

The 144 MHz band signals are bypassed or passed through the attenuator (R122), then applied to the tuneable bandpass filter (see above at right).

The filtered signals are applied to the pre-amplifier circuit.

• Used RF filter

| Frequency range | Control signal | Input diode | Filter component |
|-----------------|----------------|-----------------|---------------------------|
| 0.03–1.6 MHz | B0 | D3½ | R11–R13, L11–L13, C12–C15 |
| 1.6–2 MHz | B1 | D11½ | L22, L23, C22–C26 |
| 2–4 MHz | B2 | D71½ | L72–L74, C72–C77 |
| 4–8 MHz | B3 | D31½ | L42–L44, C42–C47 |
| 8–11 MHz | B4 | D51½ | L52–L54, C52–C57 |
| 11–15 MHz | B5 | D51½ | L62–L64, C62–C67 |
| 15–22 MHz | B6 | D71½ | L72–L74, C72–C77 |
| 22–30 MHz | B7 | D31½ | L82–L84, C82–C88 |
| 30–50 MHz | B8W | D91½ | L102, L103, C102–C107 |
| 50–54 MHz | B8 | D91½ | L92–L95, C92–C99 |
| 54–60 MHz | B8W | D91½ | L102, L103, C102–C107 |
| 108–174 MHz | B9R | None (via C125) | D124, D126, L123 |

4-1-3 PRE-AMPLIFIER CIRCUITS (RF UNIT)

A total of 3 pre-amplifier circuits are employed in the IC-746. 2 for HF/6 m bands and 1 for 144 MHz band operation.

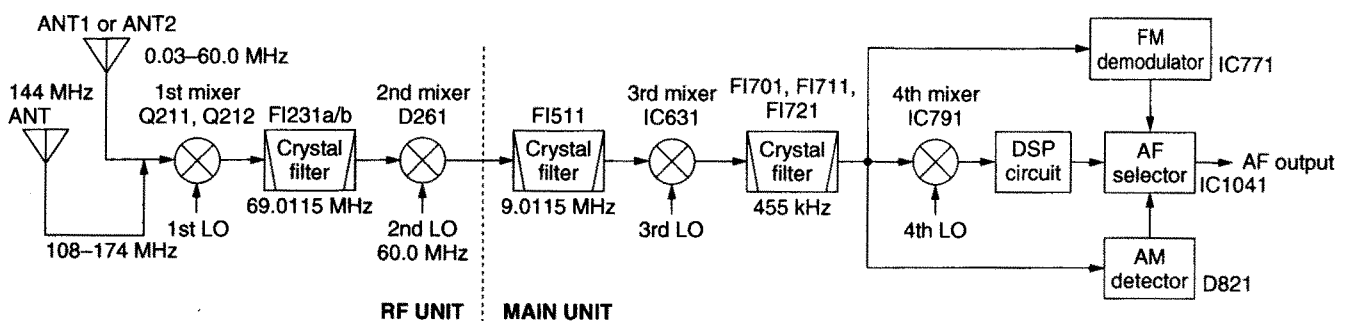
When the pre-amplifier operation is turned OFF, the RF signals bypass this circuit.

When [P.AMP1] is selected, the filtered signals are applied to the pre-amplifier 1 circuit (Q181, Q182), which has 10 dB gain for the 1.8–54 MHz range, and when [P.AMP2] is selected, the signals are applied to the pre-amplifier 2 circuit (IC191), which has 16 dB gain for the 21–60 MHz range. The pre-amplified signals are applied to the 60 MHz cut-out low-pass filter (L211, L212, C211–215, C225).

During 144 MHz band operation, the filtered signals are pre-amplified at the VHF pre-amplifier (Q123) when the [P.AMP] is turned ON, and passed through the tuneable bandpass filter (D127, D129, L125).

The filtered signals are applied to the 1st mixer circuit.

• RECEIVER CONSTRUCTION



4-1-4 1st MIXER AND 1st IF CIRCUITS (RF UNIT)

The 1st mixer circuit mixes the RF signals with the 1st LO signal to be converted into a fixed 69 MHz 1st IF signal.

The signals from the pre-amplifier circuit are applied to the 1st mixer (Q211, Q212) and mixed with the 1st LO signal (69.0415–243.0115 MHz) coming from the 1st LO PLL circuit via an LO amplifier and low-pass filter.

• 1st IF frequency

| Mode | Frequency |
|----------|-------------|
| SSB | 69.0115 MHz |
| CW, RTTY | 69.0106 MHz |
| AM | 69.0100 MHz |
| FM | 69.0115 MHz |

The mixed 1st IF signal is passed through the MCF (Monolithic Crystal Filter; FI231a) to suppress out-of-band signals. The filtered signal is amplified at the IF amplifier (Q241), filtered at the other MCF (FI231b) and then applied to the 2nd mixer circuit.

When the bandscope function is activated, the 1st LO sweep signal is supplied to the 1st mixer circuit.

4-1-5 2nd MIXER AND 2nd IF CIRCUITS (RF AND MAIN UNITS)

The 2nd mixer circuit mixes the 1st IF signal and 2nd LO signal (60.00 MHz) for conversion to the 2nd IF frequency.

The 1st IF signal from the MCF (RF unit, FI231b) is applied and converted into a 9 MHz 2nd IF signal at the 2nd mixer circuit (RF unit, D261) by being mixed with a fixed 60 MHz 2nd LO signal.

The 9 MHz 2nd IF signal is applied to the MAIN unit via J261, and passed through the bandpass filter (MAIN unit, FI511) to suppress undesired signals such as the 2nd LO signal.

• 2nd IF filters

| Used filter | Control signal |
|------------------|----------------|
| Bypass (through) | 2FTH |
| FL-272 (FI571) | 2F3K |
| Option socket 1 | 2FO1 |
| Option socket 2 | 2FO2 |

The filtered signal is amplified at the IF amplifier (MAIN unit, Q521) via the noise blanker gate, passed through one of the bandpass filters, then applied to the 3rd mixer circuit.

The 2nd LO signal is a doubled reference frequency, generated at the reference oscillator (RF unit, X1901: 30.0 MHz) and doubled at Q1903 and Q1904.

4-1-6 3rd MIXER AND 3rd IF CIRCUITS (MAIN UNIT)

The 3rd mixer circuit mixes the 2nd IF signal and the 3rd LO signal to obtain the 3rd IF (455 kHz) signal.

The 2nd IF signal is buffer-amplified at the buffer-amplifier (Q631) and applied to the 3rd mixer circuit (IC631, pin 1). The 3rd LO signal from the 3rd LO PLL circuit is also applied to the 3rd mixer (IC631, pin 10). The mixed signal is output from pin 6, then applied to one of the 3rd IF filters.

• 3rd IF filters

| Used filter | Control signal |
|------------------|----------------|
| FL-65 (FI701) | 3F3K |
| SFPC455G (FI711) | 3F9K |
| SFPC455E (FI721) | 3F15K |
| Option socket | 3FOP |

The filtered signal is amplified at the IF amplifiers (Q751, Q761), then applied to the 4th mixer (IC791), AM demodulator (D821) or the FM demodulator (IC771) circuit according to the operating mode.

4-1-7 4th MIXER CIRCUIT (MAIN UNIT)

The 4th mixer circuit mixes the 3rd IF signal and the 4th LO signal to obtain the 4th IF (15.625 kHz) signal while SSB, RTTY or CW mode is selected.

The 3rd IF signal from the IF amplifier (Q761) is applied to the 4th mixer circuit (IC791, pin 1), and is mixed with the 4th LO signal to be converted into a 4th IF signal. The 4th IF signal is output from pin 12 and applied to the AF selector (IC1041, pins 1).

4-1-8 FM DEMODULATOR CIRCUIT (MAIN UNIT)

While in FM mode, the 3rd IF signal from the IF amplifier (Q751) is applied to the FM IF IC (IC771, pin 5) via the IF amplifier (Q771) where the IF signal is converted into AF signals. The discriminator (X771) is connected to the quadrature detector section (pin 10) for AF detection. The demodulated AF signals are output from pin 9 and applied to the AF selector (IC1041, pin 5) via the de-emphasis circuit (IC931b).

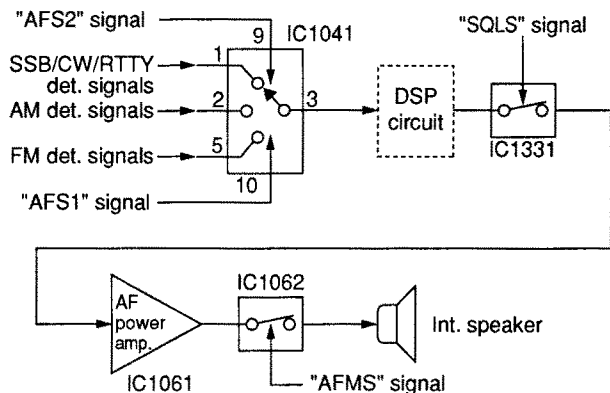
4-1-9 AM DEMODULATOR CIRCUIT (MAIN UNIT)

While in AM mode, the 3rd IF signal from the IF amplifier (Q761) is applied to the AM demodulator (D821) via the buffer amplifier (Q811). The detected audio signals are then applied to the AF selector (IC1041, pin 2).

4-1-10 AF SELECTOR SWITCH (MAIN UNIT)

The AF signals from one of the detector circuits or 4th IF signal are/is applied to the AF selector (IC1041). The AF signals from the AM demodulator are applied to pin 2; those from the FM demodulator are applied to pin 5. The SSB/CW/RTTY IF signal is applied to pin 1. The selected signals are output from pin 3 and applied to the DSP unit.

• AF circuit



4-1-11 DSP RECEIVER CIRCUIT (MAIN UNIT)

The DSP (Digital Signal Processor) enables digital noise reduction, digital PSN (Phase Shift Network) demodulation, digital automatic notch and digital APF (Audio Peak Filter). The signals from the AF selector switch are applied to the demodulator (SSB/CW/RTTY), noise reduction (all modes), APF (CW), notch filter (SSB/AM/FM) circuit in the DSP circuit.

The selected signal(s) from the AF selector (IC1041) is applied to the A/D converter (IC1531) via the IF amplifier (IC1551c), low-pass filter (IC1551a/b) and the buffer amplifier (IC1551d).

The converted signal is applied to the DSP IC (IC1521) for demodulation, automatic notch, audio peak filter and noise reduction, etc. The output signal is applied to the D/A converter (IC1542) to be converted into analog audio signals.

The converted audio signals are buffer amplified at the buffer amplifier (IC1571b), passed through the low-pass filter (IC1571) then applied to the AF amplifier (IC1061) via the squelch switch (IC1331).

4-1-12 AF AMPLIFIER CIRCUIT (MAIN UNIT)

The AF amplifier amplifies the audio signals to a suitable driving level for the speaker.

The AF signals from the squelch switch are amplified at the AF amplifier (IC1061, pins 2–4) and amplifying gain is controlled by the AFGV signal at the VCA (IC1061, pins 7–9). The level controlled AF signals are then applied to the AF power amplifier (IC1101) via the AF mute switch (IC1062). The AF mute switch is controlled by the [AF] control via the sub and main CPUs.

The amplified audio signals are passed through the [PHONES] and [EXT SP] jacks then applied to the internal speaker when no plug is connected to the jacks.

4-1-13 AGC CIRCUIT (MAIN UNIT)

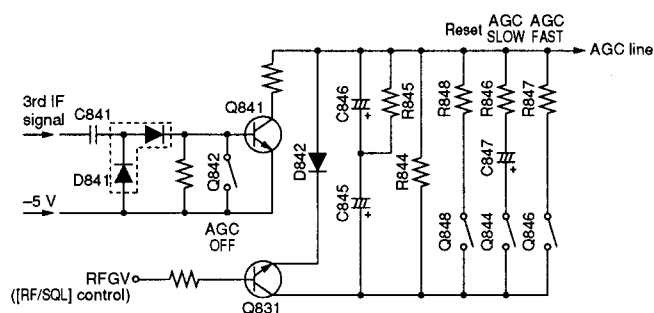
The AGC (Automatic Gain Control) circuit reduces IF amplifier gain to keep the audio output at a constant level.

The receiver gain is determined by the voltage on the AGC line (Q841, collector). Q841 supplies minus voltage to the AGC line and sets the receiver gain with the [RF/SQ] control.

The 3rd IF signal from the IF amplifier (Q761) is buffer amplified at the buffer amplifier (Q811) and is detected at the AGC detector (D841). The detected signal is applied to the AGC amplifier (Q841). -5 V is applied to the AGC amplifier's emitter to activate the AGC line using minus voltage.

When receiving strong signals, the detected voltage increases and the AGC voltage decreases via the AGC amplifier (Q841). As the AGC voltage is used for the bias voltage of the IF amplifiers (Q521, Q751, Q761 and RF unit Q241), IF amplifier gain is decreased.

• AGC CIRCUIT



When the strong signals disappear, the AGC line voltage is released by C845, C846, R844 and R845 while in SSB, CW or RTTY mode. While in AM or FM mode, C847 or R846 is connected in parallel to obtain appropriate AGC characteristics, respectively.

4-1-14 NOISE BLANKER CIRCUIT (MAIN UNIT)

The noise blanker circuit detects pulse-type noise, and turns OFF the signal line when the noise appears.

A portion of the signal from FI511 is amplified at the noise amplifiers (IC861, Q861, Q863), then detected at the noise detector (D861) to convert the noise components to DC voltages.

The signal is then applied to the noise blanker switch (Q865, Q868). At the moment the detected voltage exceeds Q865's threshold level, Q868 outputs a blanking signal to close the noise blanker gate (D511, D512). The PLL unlock signal is also applied to Q868 to control the noise blanker gate.

Some DC voltage from the noise detector circuit is fed back to the noise amplifier (IC861) via the DC amplifiers (Q864, Q862). The DC amplifiers function as an AGC circuit to reduce average noise. Therefore, the noise blanker function shuts off pulse-type noise only.

4-1-15 S-METER CIRCUIT (MAIN UNIT)

The S-meter circuit indicates the relative received signal strength while receiving by utilizing the AGC voltage which changes depending on the received signal strength.

A portion of the AGC bias voltage (time constant line) is applied to the differential amplifier (IC931c, pin 9) where the difference between the AGC and reference voltage is detected.

The detected voltage is applied to the main CPU (IC1704) via the A/D converter (IC1702, pin 12) as the SML signal to indicate the S/Rf indication.

The SML signal is used not only for the S-meter indication, but also for the bandscope function to indicate conditions around the displayed frequency.

4-1-16 SQUELCH CIRCUIT (MAIN UNIT)

The squelch circuit mutes audio output when the S-meter signal is lower than the [RF/SQ] level.

The S-meter signal is applied to the main CPU (IC1704) and is compared with the threshold level set by the [RF/SQ] control. The [RF/SQ] signal is applied to the main CPU via the sub CPU (DISPLAY unit, IC1001). The compared signal is applied to the analog switch (IC1331) to open or close the squelch.

In addition, the noise squelch signal from the FM IF IC is applied to the main CPU in FM mode. A portion of the AF signals from the FM IF IC (IC771, pin 9) are applied to the active filter section (pin 8) where noise components are amplified. The signals are rectified at the noise detector section and then output from pin 14. The resulting signal is applied to the main CPU (IC1704) via the A/D converter (IC1702, pin 1) and via the FMNL signal line.

4-1-17 TWIN PBT CIRCUIT (RF AND MAIN UNITS)

The PBT (PassBand Tuning) circuit shifts the center frequency of IF signal to electronically narrow the passband width. The IC-746 has 2 PBT circuits.

The twin PBT circuit shifts the 2nd and 3rd IF within ± 1.29 kHz or ± 258 Hz. As a result, the 2nd and 3rd IF are shifted from the center frequencies of the 2nd and 3rd IF filters. This means 2nd or 3rd IF signals do not pass through the center of the 2nd or 3rd IF filter. Therefore, the overlap of the 2nd/3rd or 3rd/4th IF filter appears to be narrowed. Since the 3rd and 4th LO frequencies are also shifted the same value as the 2nd and 3rd IF shifts, frequencies are corrected at the detector.

In the IC-746, the 1st LO frequency is shifted to change the 2nd IF because a fixed 2nd LO frequency (60.00 MHz) is used. The 1st IF filter (RF unit, FI231) has a 15 kHz passband width and does not affect PBT operation.

4-1-18 TONE SQUELCH CIRCUIT (MAIN UNIT)

A portion of the detected FM audio signals from the FM demodulator circuit (IC771, pin 9) are applied to the low-pass filter (IC1201a, pins 1–3) to cut-out the 300 Hz or higher audio components and subaudible tone signals only pass through. The filtered signal (subaudible tone) is amplified at the AF amplifier (IC1201b, pins 5–7) and then applied to the main CPU (IC1704, pin 81).

The main CPU detects the frequency of the applied subaudible tone signal and releases the audio mute when a matched tone frequency signal is detected.

4-2 TRANSMITTER CIRCUITS

4-2-1 MICROPHONE AMPLIFIER CIRCUIT (MAIN UNIT)

The microphone amplifier circuit amplifies microphone audio signals to a level needed for the SSB, FM and AM modulation circuits.

Audio signals from the [MIC] connector (pin 1) are applied to an integrated microphone amplifier IC (IC1121, pin 22). This IC contains the microphone amplifier, speech compressor, VOX circuits and VCA for setting the microphone gain.

The audio signals are amplified at the AF and buffer amplifier section, then applied to the VCA and buffer amplifier in the integrated microphone amplifier IC. The amplified and level controlled audio signals are output from pin 9, buffer-amplified at Q1121 and then applied to the modulation circuit.

The microphone gain is set at the VCA section in IC1121 (pins 8–10) using the MIGV signal. The main CPU supplies the MIGV signal, controlled by the [MIC GAIN] control, via the sub CPU (DISPLAY board, IC1001).

4-2-2 MODULATOR CIRCUITS (MAIN UNIT)

The microphone audio signals from the integrated microphone amplifier IC are applied to the modulation selector. The selected audio signals are applied to each modulation circuit.

The microphone audio signals from the microphone amplifier circuit are applied to the modulation selector circuit (IC1191, pins 1, 5, 12), and the mode selected audio signals are applied to each modulation circuit.

(1) SSB mode

When USB or LSB mode is selected, the microphone audio signals are output from pin 13 of the modulation selector (IC1191) then applied to the balanced modulator circuit (IC661, pin 1). The audio signals are mixed with the 3rd LO signal to be converted into a modulated 9 MHz 2nd IF signal. The modulated 2nd IF signal is still DSB (Double Side Band), and is therefore filtered to suppress the unwanted sideband signals at the bandpass filter (FI571), and converted to an SSB signal. The 2nd IF signal is applied to the transmitter IF circuit.

(2) FM mode

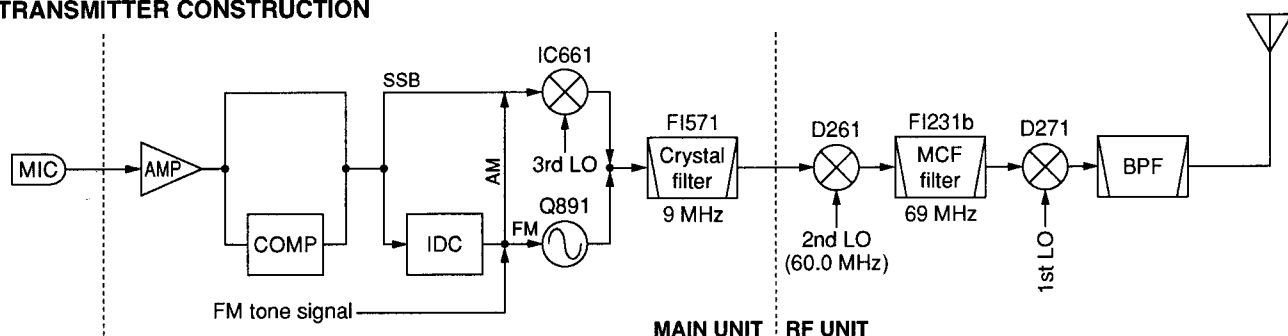
When FM mode is selected, the microphone audio signals are output from pin 3, then applied to the pre-emphasis circuit (IC1161a, pin 1–3), where they are provided with +6 dB/octave pre-emphasis characteristics. The pre-emphasized signals are amplified at the IDC amplifier (IC1161b, pins 5–7), then applied to the FM modulator (D891) in the FM oscillator circuit (FM VCO: Q891) via the deviation adjustment pot (R1184). The audio signals change the reactance of D891 to obtain FM modulation and the 2nd IF signal, and are then applied to the transmitter IF circuit.

The IDC amplifier limits the audio passband width, and the W/N switch (Q1162) adjusts the maximum deviation level controlled by the FMNS signal from the main CPU (IC1704, pin 23).

(3) AM mode

When AM mode is selected, the amplified audio signals from the IDC amplifier (IC1161b, pin 7) are fed back to the modulation selector (IC1191, pin 14) via the modulation level adjustment pot (R1181). The switched audio signals are output from pin 13 then applied to the balanced modulator circuit (IC661, pin 1). The audio signals are mixed with the 3rd LO signal to be converted into a modulated 9 MHz 2nd IF signal.

• TRANSMITTER CONSTRUCTION



In AM mode, the connected Q681 and R683 are activated, and provide an unbalanced condition to the balanced modulator. Thus the balanced modulator provides AM modulation.

(4) CW, RTTY modes

When CW or RTTY mode is selected, DC voltage is applied to the balanced modulator to replace the audio signals. Thus the modulator becomes unbalanced and provides a carrier signal.

4-2-3 VOX CIRCUIT (MAIN UNIT)

The VOX (Voice-Operated-Transmission) circuit sets transmitting conditions according to voice input.

When the VOX function is activated, a portion of the microphone signals are buffer-amplified at IC1121 (pins 19, 20) and applied to main CPU (IC1704, pin 79) via the VOXL line. A portion of the power amplified AF signals from the AF power amplifier (IC1101) are buffer-amplified at IC1121 (pins 14, 15) and applied to the main CPU (IC1704, pin 80) via the AVXL line. Then the main CPU compares these and controls the transmitter circuit.

4-2-4 SPEECH COMPRESSOR CIRCUIT (MAIN UNIT)

The speech compressor compresses the microphone audio signals to increase the average talk power.

When the speech compressor function, [CMP], is ON, the amplified microphone audio signals from the AF amplifier section in IC1121 are buffer amplified at the buffer amplifier section in the IC, which is gain controlled by the limiter circuit (D1123, D1124, R1139) to obtain an average audio level.

The amplified signals are applied to the modulation circuit.

4-2-5 IF AMPLIFIER AND MIXER CIRCUITS (MAIN AND RF UNITS)

The modulated 2nd IF signal from one of the modulator circuits is bypasses or passes through the bandpass filter (MAIN unit, F1571), and is then applied to the IF amplifier (MAIN unit, Q541). The amplified signal is applied to the 2nd mixer circuit (RF unit, D261) to obtain a 69 MHz 1st IF signal. The 1st IF signal is passed through the MCF (RF unit, F1231b) to cut-off the undesired signals then amplified at the IF amplifier (RF unit, Q271) via the T/R switch (RF unit, D251). The amplified 1st IF signal is applied to the mixer circuit (RF unit, D271) for conversion into an operating RF frequency signal.

The mixed signal is then applied to the RF circuit.

4-2-6 RF AND PA CIRCUITS (RF AND PA UNITS)

The RF circuit amplifies the operating (transmitting) frequency to obtain 100 W of RF output.

The signal from the mixer circuit is passed though one of the low-pass or bandpass filters (refer to page 4-1 for RF filter used) after passing through the low-pass filter (RF unit, L285, L286, C287-C289, C291). The filtered RF signal is amplified at the YGR amplifier (RF unit, IC151), then applied to the PA unit.

The signal applied from the RF unit is amplified at the 2 pre-drive (PA unit, Q1, Q2) and drive (PA unit, Q3, Q4) amplifiers. These amplifiers cover all HF, 50 MHz and 144 MHz band amplifying operation.

When operating on the HF or 50 MHz band, the signal from the drive amplifier is power amplified at the HF/50 MHz power amplifier (PA unit, Q5, Q6) via the band switching relay (PA unit, RL2). However, the 144 MHz signal is power amplified at the 144 MHz power amplifier (PA unit, Q201, Q202) to obtain a stable 100 W of RF output power.

The amplified signal is applied to the desired antenna connector via one of 8 low-pass filters.

4-2-7 ALC CIRCUIT (MAIN UNIT)

The ALC (Automatic Level Control) circuit controls the gain of IF amplifiers in order for the transceiver to output a constant RF power set by the [RF PWR] control even when the supplied voltage shifts, etc.

The RF power level is detected at the SWR detector circuit (HF/50 MHz bands; CTRL unit, D2, 144 MHz band; PA unit, D602) to be converted into DC voltage and applied to the MAIN unit as the FOR (HF/50 MHz) or VFOR (144 MHz) signal.

The FOR or VFOR signal is applied to the comparator (IC971b, pin 6). The POCV signal, controlled by the [RF PWR] control via the sub CPU (IC1001, pin 95), is also applied to the other input (pin 5) for reference. The compared signal is output from pin 7 and applied to the IF amplifiers in the MAIN (Q541) and RF (Q271) units to control amplifying gain.

When the FOR or VFOR signal exceeds the POCV voltage, ALC bias voltage from the comparator controls the IF amplifiers. This adjusts the output power to a specified level from the [RF PWR] control until the FOR and POCV voltages are equalized.

In AM mode, the comparator operates as an averaging ALC amplifier. Q984 turns ON and the POCV voltage is shifted for 40 W AM output power (maximum) through R994.

The ALC bias voltage is also applied to the ALC meter amplifier (IC971a, pin 2) to obtain an ALC meter signal (ALCL). The amplified signal is applied to the main CPU (IC1704, pin 78) to drive the S/RF meter via the sub CPU on the FRONT unit.

An external ALC input from the [ALC] jack or [ACC] sockets is applied to the buffer amplifier (Q986). External ALC operation is identical to that of the internal ALC.

The FOR signal is also applied to the power meter amplifier (IC931a, pin 3). The amplified signal is applied to the main CPU (IC1704) after being switched by the analog switch (IC1702, pins 14, 13) as an FORL signal to drive the S/RF meter via the sub CPU (FRONT unit, IC1001).

4-2-10 APC CIRCUIT (MAIN UNIT)

The APC (Automatic Power Control) circuit protects the power amplifiers on the PA unit from high SWR and excessive current.

The reflected wave signal appears and increases when the connected antenna is mismatched to 50 Ω. The SWR detector circuit (HF/50 MHz bands; CTRL unit, D1, 144 MHz band; PA unit, D603) detects the reflected signal, and applies it to the APC circuit (IC971c, pin 9) as a REF (HF/50 MHz) or VREF (144 MHz) signal.

When the REF signal level increases, the APC circuit decreases the ALC voltage to activate the APC.

For the current APC, the power transistor current is obtained by detecting the voltages (ICH and ICL) which appear at both terminals of the current detector (PA unit, R28). The detected voltages are applied to the differential amplifier (IC971d, pins 12, 13). When the current of transistors is increased, the amplifier controls the ALC line to prevent excessive current flow.

A portion of the REF and VREF signal is applied to the SWR meter amplifier (IC931d, pin 12). The amplified signal is applied to the main CPU (IC1704) after being switched by the analog switch (IC1702, pins 5, 3) as an REFL signal to drive the SWR meter.

4-2-11 TEMPERATURE PROTECTION CIRCUIT (PA UNIT)

The cooling fan (MF1) is activated while transmitting or when the temperature of the power amplifier exceeds the preset value. The temperature protection circuit consists of Q10–Q13, R50 and R206.

While transmitting, Q10 and Q12 are turned ON, and provide a voltage to the cooling fan to rotate at medium speed. The thermistor, R50, detects the temperature of Q5 (R206 for Q202), and activates Q11 and Q13 to accelerate the cooling fan when the detected temperature exceeds 70°C (158°F). The cooling fan rotates at high speed at 80°C (176°F) or more.

The thermistor keeps the cooling fan rotating even while receiving until the Q5 or Q206 temperature drops to 60°C (140°F) or below.

4-2-12 MONITOR CIRCUIT (MAIN UNIT)

The microphone audio signals can be monitored to check voice characteristics.

A portion of the microphone audio signals from the buffer amplifier (Q1121) are applied to the analog switch (IC1081, pin 5). The switched audio signals are amplified at the AF amplifier (IC1082, pins 2–4), and then applied to the VCA (IC1081, pins 6–8) to control the monitor gain. The gain controlled audio signals are applied to the AF amplifier circuit.

4-3 PLL CIRCUITS

4-3-1 GENERAL

The PLL circuits generate a reference frequency (30.000 MHz); 1st LO frequencies (69.04–243.0115 MHz); 2nd LO frequency (60 MHz), 3rd LO frequency (9.465 MHz); 4th LO frequency (455 kHz), CW side tones (300–900 Hz) and FM subaudible (67.0–254.1 Hz) tones.

The 1st LO PLL adopts a mixer-less dual loop PLL system and has 4 VCO circuits which cover from 30 kHz to 174 MHz. The LOs, except the 2nd, use DDSs while the 2nd LO uses the fixed frequency of the crystal oscillator.

4-3-2 1st LO PLL CIRCUIT (RF UNIT)

The 1st LO PLL contains a main and reference loop as a dual loop system.

The reference loop generates a 10.506 to 10.543 MHz frequency using a DDS circuit, and the main loop generates a 69.04 to 243.0115 MHz frequency using the reference loop frequency.

(1) REFERENCE LOOP PLL

The oscillated signal at the reference VCO (Q1301, D1301) is amplified at the amplifiers (Q1302, Q1102) and is then applied to the DDS IC (IC1101, pin 46). The signal is then divided and detected on phase with the DDS generated frequency.

The detected signal output from the DDS IC (pin 56) is converted into DC voltage (lock voltage) at the loop filter (R1135, R1138, C1121) and then fed back to the reference VCO circuit (Q1301, D1301).

(2) MAIN LOOP PLL

The oscillated signal at one of the main loop VCOs (VCO board, Q1201, D1201, Q1221, D1221, Q1241, D1241, Q1261, D1261) is amplified at the buffer amplifiers (PLL board, IC1802, Q1281) and is then applied to the PLL IC (IC1801, pin 4). The signal is then divided and detected on phase with the reference loop output frequency.

The detected signal output from the PLL IC (pin 13) is converted into a DC voltage (lock voltage) at the loop filter and then fed back to one of the VCO circuits (VCO board, Q1201, D1201, Q1221, D1221, Q1241, D1241, Q1261, D1261).

The oscillated signal from the buffer amplifier (PLL board, IC1802) is also applied to the MAIN unit as a 1st LO signal after being doubled or passed through the low-pass filter.

• Using VCO and 1st LO frequencies

| Operating frequency | Using VCO | 1st LO frequency |
|--------------------------|--------------|---|
| 0.03– 7.999999 MHz | Q1201, D1201 | 69.0415–77.011499 MHz |
| 8.0– 19.999999 MHz | Q1221, D1221 | 77.0115–89.011499 MHz |
| 20.0– 44.999999 MHz | Q1241, D1241 | 89.0115–114.011499 MHz |
| 45.0– 60.000000 MHz | Q1261, D1261 | 114.0115–129.011500 MHz |
| 108.0– 158.999999 MHz | Q1241, D1241 | 177.0115–228.011499 MHz (with doubler) |
| 159.0– 174.000000 MHz | Q1261, D1261 | 228.0115–243.011500 MHz (with doubler) |

4-3-3 2nd LO AND REFERENCE OSCILLATOR CIRCUITS (RF UNIT)

The reference oscillator (X1901, Q1901) generates a 30.0 MHz frequency for the 3 DDS circuits as a system clock and for the LO output. The oscillated signal is doubled by 2 at the doubler circuit (Q1903, Q1904) and the 60.0 MHz frequency is picked up at the double tuned filter (L1903, L1904). The 60.0 MHz signal is applied to the RF unit as a 2nd LO signal.

4-3-4 3rd and 4th LO CIRCUITS (RF UNIT)

The DDS ICs (IC1601 for 3rd, IC1701 for 4th) generate a 10-bit digital signal using the 30 MHz system clock. The digital signal is converted into an analog wave signal at the D/A converter (R1601–R1620 for 3rd, R1701–R1720 for 4th). The converted analog wave is passed through the bandpass filter (L1602, L1603, L1605, C1609–C1613, C1615–C1617 for 3rd, L1702, L1703, C1707–C1711, C1714, C1715 for 4th) and then applied to the MAIN unit as the 3rd or 4th LO signal.

The 4th LO circuit generates not only the 4th LO signal but also the subaudible tone and CW side tone signals.

4-3-5 MARKER CIRCUIT (RF UNIT)

The divided signal at the DDS circuit (IC1101) is used for the marker signals with the IC-746.

The reference signal for the DDS circuit (30.0 MHz) is divided by 2 to produce an acceptable frequency signal, 15 MHz, with the programmable divider then divided again by 150 to obtain 100 kHz cycle square-wave signals.

The generated marker signals are output from pin 49 of the DDS IC (IC1101) and then applied to the 1st mixer circuit (Q211, Q212) via the mute switch (IC1081) as the MKR signal.

4-4 ANTENNA TUNER CIRCUITS

4-4-1 MATCHING CIRCUIT (TUNER UNIT)

The matching circuit is a T-network. Using 2 tuning motors, the matching circuit obtains rapid overall tuning speed.

Using relays (RL1–RL15), the relay control signals from the antenna tuner CPU (CTRL unit, IC5) via the buffer amplifier (Q1–Q15) ground one of the taps of L3–L12 and add capacitors (C34–C43). After selecting the coils and capacitors, 2 motors (MF1, MF2) adjust C44 and C45 using the antenna tuner CPU (CTRL unit, IC5) and the motor driver (CTRL unit, IC7) to obtain a low SWR (Standing Wave Ratio).

4-4-2 DETECTOR CIRCUITS (CTRL UNIT)

(1) SWR detector

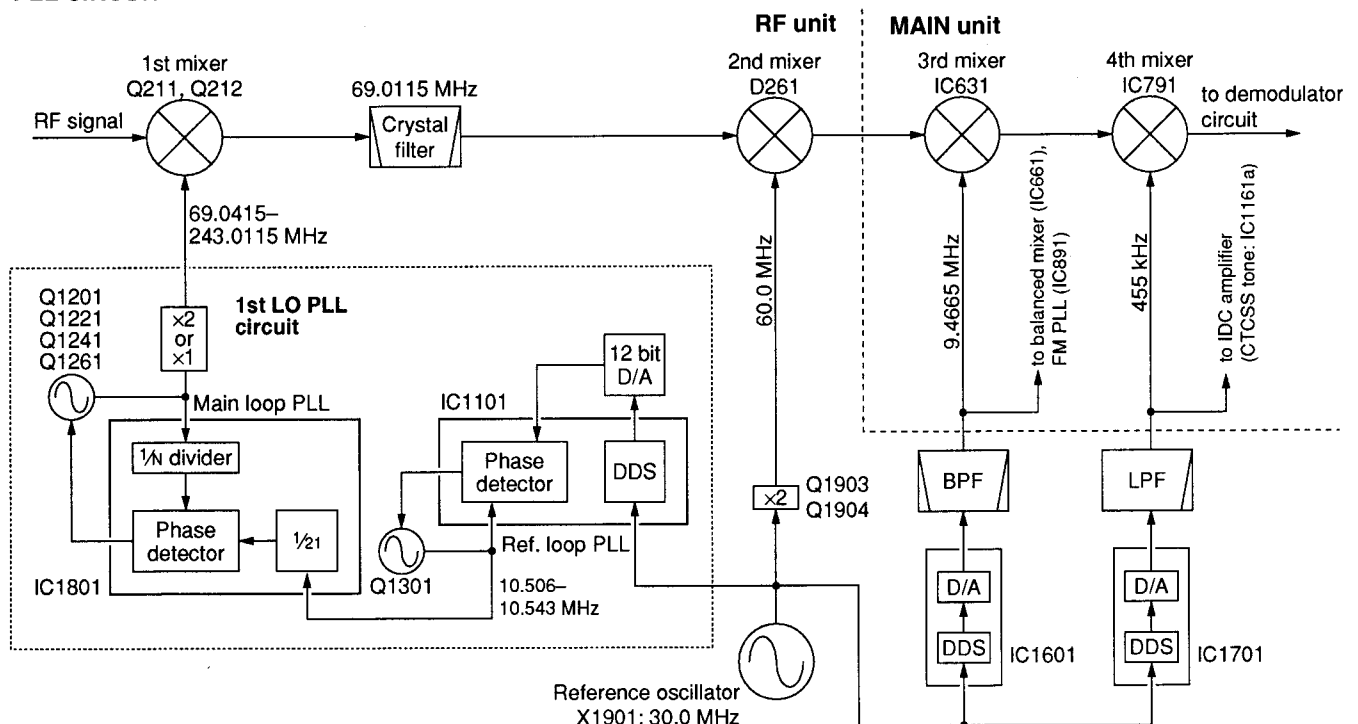
Forward and reflected power are picked up by a current transformer (L1), detected by D2 and D1, and then amplified at IC1a and IC1b, respectively. The amplified voltages are applied to the antenna tuner CPU (IC5, pins 2, 3). The CPU detects the SWR.

(2) Reactance components detector

Reactance components are picked up by comparing the phases of the RF current and RF voltage. The RF current is detected by L4 and R16, buffer-amplified at IC14e and IC2a and then applied to the phase comparator (IC3a). RF voltages are detected by C12–C14 and then applied to the phase comparator (IC3b) after being amplified at the buffer-amplifiers (IC14c, IC2b). The output signal from the phase comparator (IC3a, pin 6 for RF current, IC3b pin 7 for RF voltage) is rectified at D7 and D6 for conversion into DC voltage. The rectified voltage signals are combined, then amplified at the inverter amplifier (IC4b), then applied to the antenna tuner CPU (IC5, pin 64).

A C-MOS IC is used for the buffer-amplifier (IC14) to improve functional sensitivity; the inverter amplifier (IC4) is very responsive even with a low signal level input. Together, these ensure quick and stable signal detection even at low RF signal level input.

• PLL CIRCUIT



(3) Resistance components detector

Resistance components are picked up by L8, and detected by D8, D9 and Q5. The detected resistance components are amplified at the inverter amplifier (IC4a), and then applied to the antenna tuner CPU (IC5, pin 1).

4-4-3 MOTOR CONTROL CIRCUIT

The control circuit of the internal antenna tuner consists of the CPU, EEPROM*, tuning motors and tuning relays.

*Electrically-Erasable Programmable Read Only Memory

(1) CPU and EEPROM (CTRL unit)

The antenna tuner CPU (IC5) controls the tuning motors via the motor driver (IC7) and tuning relays, and memorizes the best preset position in 100 kHz steps. The memory contents are stored in the EEPROM (IC6) without a backup battery.

(2) Tuning motors (CTRL unit)

A motor driver (IC7) rotates the tuning motors (MF1, MF2) to obtain a low SWR.

(3) Tuning relays (TUNER unit)

According to the operating frequency band and antenna condition, tuning relays select the capacitors and coils.

4-4-4 ANTENNA TUNER CPU PORT ALLOCATION (CTRL unit, IC5)

| Pin number | Port name | Description |
|------------|-----------|--|
| 1 | AN2 | Input port for the resistance components detection voltage. |
| 2 | AN1 | Input port for the reflected RF power voltage. |
| 3 | AN0 | Input port for the forward RF power voltage. |
| 4 | PWRS | Input port for the transceiver power OFF. |
| 7 | SETI | Input port for the reference voltage setting. |
| 13 | CIKY | Outputs tuner data signal to the main CPU (MAIN unit, IC1704, pin 94). |
| 15 | CIST | Input port for serial signal from the main CPU (MAIN unit, IC1704, pi 93). |
| 17 | THRU | Outputs the tuner ON/OFF signal. |
| 19 | CORS | Input port for reset signal. |
| 21 | TRC | Input port for transmit/receive switching signal. |
| 22, 23 | CL1, CL2 | Input ports for the antenna tuner CPU system clock. |
| 41-44 | P04-P07 | Output ports for the tuning motor (MF2) drive signal. |
| 45-48 | P00-P03 | Output ports for the tuning motor (MF1) drive signal. |
| 64 | AN3 | Input ports for the reactance components detection voltage. |

4-5 POWER SUPPLY CIRCUITS

4-5-1 PA UNIT

| Line | Description |
|-------|--|
| H14V | The voltage from an external power supply via the common filter circuit (FILTER unit, L1). |
| PHV | The same voltage as the H14V line passed through a fuse. |
| 14 VS | The same voltage as the PHV line passed through the switching relay (RL1). |
| 14 V | The same voltage as the 14VS line passed through coils (L22, L23). |
| P8V | Common 8 V converted from the 14 VS line and regulated by the +8 regulator circuit (IC3). |
| P5V | Common 5 V converted from the 14 VS line and regulated by the +5 regulator circuit (IC2). |
| PH5V | Common 5 V converted from the PHV line and regulated by the +5 regulator circuit (IC1). |

4-5-2 S-LOGIC BOARD

| Line | Description |
|------|---|
| -8 V | Common -8 V converted from the 14 V line and regulated by the -8 V DC-DC converter (IC401). |
| -5 V | Common -5 V converted from the -8 V line and regulated by the -5 V regulator (IC402). |

4-5-3 MAIN UNIT

| Line | Description |
|------|--|
| R8V | Receive 8 V converted from the 14 V line and regulated by the R8V regulator circuit (Q1231, Q1232). |
| T8V | Transmit 8 V converted from the 14 V line and regulated by the T8V regulator circuit (Q1221, Q1222). |

4-6 PORT ALLOCATIONS

4-6-1 MAIN CPU (MAIN UNIT, IC1704)

| Pin number | Port name | Description |
|------------------|------------------------|---|
| 2 | AFS1 | Output detected receive audio select signal to the AF selector (IC1041). High: When AM is selected |
| 3 | AFS2 | Output detected receive audio select signal to the AF selector (IC1041). High: When FM is selected |
| 4 | SQLS | Outputs the squelch switch (IC1331) control signal. Low: While squelch is opened |
| 5 | AFMS | Outputs audio mute control signal to the AF mute switch (IC1062). High: When the [AF] control is at the minimum level |
| 6 | AGFS | Outputs AGC rate select signal. High: When AGC FAST is selected |
| 7 | AGSS | Outputs AGC rate select signal. High: When AGC SLOW is selected |
| 8 | AGOS | Outputs AGC rate select signal. High: When AGC OFF is selected |
| 9 | AGRS | Outputs AGC rate select signal. High: While scanning, etc. |
| 12, 14 | LMFD, LFMD | Output (LMFD)/Input (LFMD) ports for data signal to/from the sub CPU (DISPLAY board, IC1001). |
| 18, 19 | MSL1, MSL2 | Outputs monitor audio select signal. |
| 20 | MICM | Outputs microphone audio mute signal to the modulation selector (IC1191). High: During CW or RTTY operation, etc. |
| 21 | AMS | Outputs RF output power reference signal to the ALC circuit. High: When AM is selected |
| 23 | FMNS | Outputs FM deviation control signal. High: When FM narrow is selected |
| 24 | COMS | Outputs speech compressor control signal. High: When the [CMP] is ON |
| 26 | SENI | Input port for the PTT switch or SEND signal from the [ACC 1/2] connectors. High: During transmit |
| 27 | TRAS | Output transmit control signal without the PTT switch or SEND signal from the [ACC 1/2] connectors. Low: During transmit |
| 28, 29 30, 31 | BSTB, ISTB, ASTB, FMST | Outputs strobe signals to the: BSTB: Output expander (RF unit, IC321, IC322) ISTB: Output expander (IC1708) ASTB: D/A convertor (IC1701) FMST: FM IF IC (IC891) |
| 32 | ESTA | Outputs external antenna tuner control signal. Low: When [TUNE] switch is pushed |
| 33 | TCON | Input port for an external antenna tuner connection detection. High: When an external antenna tuner is connected |

MAIN CPU— continued

| Pin number | Port name | Description |
|------------|------------------|---|
| 34 | EKEY | Input port for an external antenna tuner. Low: While tuning or when un-tuned |
| 36 | NBS | Outputs the NB switch (Q865) control signal. High: When the [NB] is turned ON, except FM |
| 37 | NBLS | Outputs the NB switch (Q866) control signal. High: When the [NB] is turned ON, except AM and FM |
| 38 | KDS | Outputs transmitter IF circuit control signal without FM mode. High: During transmit |
| 39 | FMS | Outputs transmitter IF circuit control signal in FM mode. High: During transmit |
| 40 | SSAS | Outputs transmitter IF circuit control signal in SSB or AM mode. High: During transmit |
| 41–43 | PHFS, P50S, P2MS | Output the ALC comparater's reference voltage control signal, becomes high when; PHFS: Below 30 MHz is displayed P50S: 30–60 MHz is displayed P2MS: 108–174 MHz is displayed |
| 45 | RXS | Outputs the R8 regulator circuit (Q1231, Q1232) control signal. High: While receiving |
| 46 | TXS | Outputs the T8 regulator circuit (Q1221, Q1222) control signal. High: While transmitting |
| 47 | SSTB | Outputs strobe signals to an optional speech processor, UT-102. |
| 48 | SBSY | Input port for an optional speech processor, UT-102, busy signal. |
| 49 | ECK | Outputs clock signal for the EEPROM (IC1705). |
| 50, 51 | EDTO, EDTI | Output (EDTO)/Input (EDTI) port for the EEPROM (IC1705) data signal. |
| 53 | PCK | Outputs clock signal for the PLL circuits. |
| 54 | PDAT | Outputs data signal for the PLL circuits. |
| 56 | UNLK | Input port for PLL unlock signal. Low: Unlock |
| 58 | PST1 | Outputs strobe signals for the 1st LO DDS circuit (RF unit, IC1101). |
| 59 | PST2 | Outputs strobe signals for the 1st LO PLL circuit (RF unit, IC1801). |
| 66, 67 | XTAL, EXTAL | Input ports for the system clock signal. |
| 69 | PST3 | Outputs strobe signals for the 3rd LO DDS circuit (RF unit, IC1601). |
| 70 | PST4 | Outputs strobe signals for the 4th LO DDS circuit (RF unit, IC1701). |
| 78 | ALCL | Input port for the ALC voltage. |
| 79 | VOXL | Input port for the VOX voltage. |

MAIN CPU— continued

| Pin number | Port name | Description |
|------------|-----------|---|
| 80 | AVXL | Input port for the anti-VOX voltage. |
| 81 | FMTL | Input port for the CTCSS tone signals. |
| 82 | ASO0 | Input port for the S-meter or RF meter signal. |
| 83 | ASO1 | Input port for the FM noise signals or reflected wave signal detection voltage. |
| 84 | STON | Outputs CW side tone signal. |
| 85 | BEEP | Outputs beep audio signals. |
| 87 | PWRK | Input port for the [POWER] switch. Low : While [POWER] is pushed |
| 88 | ASL | Outputs the analog switch (IC1702) control signal. High : While transmitting |
| 89 | PWRS | Outputs the switching relay (PA unit, RL1) control signal. High : During power ON |
| 90 | SKYS | Input port for the [KEY] jack. Low : During key down |
| 91 | SQSS | Outputs squelch signal to [MIC] and [ACC 1/2] connectors. High : While squelch is opened |
| 93 | ISTA | Outputs internal antenna tuner tuning start signal. |
| 95 | ANTS | Outputs antenna selector (CTRL unit, RL3) control signal. High : When [ANT2] is selected |
| 96 | FSTB | Outputs strobe signals for the output expander (PA unit, IC502). |
| 97 | MCK | Outputs clock signal for the output expanders (RF unit, IC321, IC322). |
| 98 | MDAT | Outputs data signal for the output expander (RF unit, IC321). |
| 99 | DBST | Outputs strobe signals for the output expanders (RF unit, IC321, IC322). |
| 100 | DINT | Outputs strobe signals for the output expanders (MAIN unit, IC1506, IC1507). |

4-6-2 SUB CPU (DISPLAY BOARD, IC1001)

| Pin number | Port name | Description |
|------------|------------|---|
| 1 | ASO | Input port for the input expander (IC1002). |
| 7, 8 | OSC1, OSC2 | Input ports for the system clock. |
| 9 | SRES | Input port for the reset signal. |
| 12 | MSB | Input port for [DIAL]. |
| 14 | FIND | Outputs [F-INP] indicator control signal. Low : When [F-INP] is pushed |
| 15 | SPLD | Outputs [SPLIT] indicator control signal. Low : When [SPLIT] is pushed |
| 16 | LOCD | Outputs [LOCK] indicator control signal. Low : While locked |
| 17 | TXD | Outputs [TX] indicator control signal. Low : While transmitting |
| 18 | RXD | Outputs [RX] indicator control signal. Low : While squelch is opened |
| 19–21 | ASL0–ASL2 | Output the analog switch (IC1002) control signals. |
| 25, 26 | MDNK MUPK | Input ports for [M-CH] control. |
| 34 | DSHK | Input port for [ELEC-KEY] jack, dash signal. Low : During key down |
| 35 | DOTK | Input port for [ELEC-KEY] jack, dot signal. Low : During key down |
| 36 | TRAK | Input port for [TRANSMIT]. Low : When [TRANSMIT] switch is pushed |
| 37 | TUNK | Input port for [TUNER]. Low : When [TUNER] switch is pushed |
| 38 | ANTK | Input port for [ANT]. Low : When [ANT] switch is pushed |
| 39 | NRK | Input port for [NR]. Low : When [NR] switch is pushed |
| 40 | APFK | Input port for [APF/NOTCH]. Low : When [APF/NOTCH] switch is pushed |
| 41 | MNUK | Input port for [MENU]. Low : When [MENU] switch is pushed |
| 42 | F1K | Input port for [F1]. Low : When [F1] switch is pushed |
| 43 | F2K | Input port for [F2]. Low : When [F2] switch is pushed |
| 44 | F3K | Input port for [F3]. Low : When [F3] switch is pushed |
| 45 | F4K | Input port for [F4]. Low : When [F4] switch is pushed |
| 46 | F5K | Input port for [F5]. Low : When [F5] switch is pushed |
| 47 | XFCK | Input port for [XFC]. Low : When [XFC] switch is pushed |
| 48 | MPWK | Input port for [MP-W]. Low : When [MP-W] switch is pushed |

SUB CPU— continued

| Pin number | Port name | Description |
|------------|------------|--|
| 49 | MPRK | Input port for [MP-R]. Low : When [MP-R] switch is pushed |
| 50 | SPEK | Input port for [SPEECH]. Low : When [SPEECH] switch is pushed |
| 51 | LOCK | Input port for [LOCK]. Low : When [LOCK] switch is pushed |
| 55 | LRES | Outputs reset signal to the LCD drivers (IC1006, IC1008, IC1009). |
| 78, 79 | CNT1, CNT2 | Output LCD contrast control signal. CNT1 : Regular segments CNT2 : Dot matrix |
| 81 | BKL | Outputs LCD backlight brightness control signal. |
| 82, 84 | RSA, RSB | Input ports for the [RIT/ΔTX] control. |
| 83 | MSA | Input port for [DIAL]. |
| 86, 87 | LMFD, LFHD | Input (LMFD)/Output (LFHD) ports for data signal from/to the MAIN CPU (MAIN unit, IC1704). |
| 90 | AFL | Input port for the [AF] control. |
| 91 | RFL | Input port for the [RF/SQL] control. |
| 92 | NRL | Input port for the [NR] control. |
| 93 | APFL | Input port for the [APF] control. |
| 94 | MIGL | Input port for the [MIC GAIN] control. |
| 95 | PWRL | Input port for the [RF PWR] control. |
| 96 | PITL | Input port for the [CW PITCH] control. |
| 97 | KYSL | Input port for the [KEY SPEED] control. |
| 98, 99 | PBT1, PBT2 | Input ports for the [TWIN PBT] control. |
| 100 | MUD | Input port for the [UP] and [DN] switches of the connected microphone. |

4-6-3 1ST LO DDS IC (RF UNIT, IC1101)

| Pin number | Port name | Description |
|------------|-----------|---|
| 72 | MKRS | Outputs the mute switch (IC1081) control signal. High: When [CAL. Marker] is ON and receiving |
| 74 | DBLS | Outputs the doubler circuit (Q1401) control signal. High: When 108.0–174.0 MHz band is displayed |
| 75 | PAFS | Outputs loop filter select signal. High: When 0.03–7.999999 MHz band is displayed |

4-6-4 INPUT EXPANDER (DISPLAY BOARD, IC1002)

| Pin number | Port name | Description |
|------------|-----------|---|
| 1 | K14 | Input port for the [7 (3)], [18 (6)], [28 (9)] and [144 (ENT)] switches. |
| 2 | K16 | Input port for the [V/M], [CALL], [M-CL] and [MW] switches. |
| 3 | ASO | Outputs data signal to the SUB CPU (IC1001). |
| 4 | K17 | Input port for the [RIT], [ΔTX] and [CLEAR] switches. |
| 5 | K15 | Input port for the [F-INP], [SPLIT], [A/B] and [TS] switches. |
| 12 | K13 | Input port for the [3.5 (2)], [14 (5)], [24 (8)] and [50 (0)] switches. |
| 13 | K10 | Input port for the [P.AMP/ATT], [NB], [VOX/BK-IN] and [MONITOR] switches. |
| 14 | K11 | Input port for the [SSB], [CW/RTTY], [AM/FM] and [FILTER] switches. |
| 15 | K12 | Input port for the [1.8 (1)], [10 (4)], [21 (7)] and [GENE (.)] switches. |

4-6-5 OUTPUT EXPANDERS

(1) PA unit, IC502

| Pin number | Port name | Description |
|------------|-----------|---|
| 4 | L1S | Outputs low-pass filter control signal. High: While 0.03–1.999999 MHz band is displayed |
| 5 | L2S | Outputs low-pass filter control signal. High: While 2.0–4.999999 MHz band is displayed |
| 6 | L3S | Outputs low-pass filter control signal. High: While 5.0–7.999999 MHz band is displayed |
| 7 | L4S | Outputs low-pass filter control signal. High: While 8.0–14.999999 MHz band is displayed |
| 11 | L8S | Outputs low-pass filter control signal. High: While 108.0–174.0 MHz band is displayed |
| 12 | L7S | Outputs low-pass filter control signal. High: While 30.0–60.0 MHz band is displayed |
| 13 | L6S | Outputs low-pass filter control signal. High: While 22.0–29.999999 MHz band is displayed |
| 14 | L5S | Outputs low-pass filter control signal. High: While 15.0–21.999999 MHz band is displayed |

(2) RF unit, IC321

| Pin number | Port name | Description |
|------------|-----------|--|
| 4 | B0S | Outputs bandpass filter control signal. High : While 0.03–1.599999 MHz band is displayed |
| 5 | B1S | Outputs bandpass filter control signal. High : While 1.6–1.999999 MHz band is displayed |
| 6 | B2S | Outputs bandpass filter control signal. High : While 2.0–3.999999 MHz band is displayed |
| 7 | B3S | Outputs bandpass filter control signal. High : While 4.0–7.999999 MHz band is displayed |
| 11 | B7S | Outputs bandpass filter control signal. High : While 22.0–29.999999 MHz band is displayed |
| 12 | B6S | Outputs bandpass filter control signal. High : While 15.0–21.999999 MHz band is displayed |
| 13 | B5S | Outputs bandpass filter control signal. High : While 11.0–14.999999 MHz band is displayed |
| 14 | B4S | Outputs bandpass filter control signal. High : While 8.0–10.999999 MHz band is displayed |

(3) RF unit, IC322

| Pin number | Port name | Description |
|------------|-----------|--|
| 4 | B8S | Outputs bandpass filter control signal. High : While 50.0–53.999999 MHz band is displayed |
| 5 | B8W | Outputs bandpass filter control signal. High : While 30.0–49.999999 MHz and 54.0–60.0 MHz band is displayed |
| 6 | B9S | Outputs bandpass filter control signal. High : While 108.0–174.0 MHz band is displayed |
| 7 | PR1S | Outputs pre-amplifier circuit (Q181, Q182) control signal. High : When [P. AMP1] is turned ON below 60 MHz band |
| 11 | TBPS | Outputs tunable bandpass filter control signal. Low : While 108.0–158.999999 MHz band is displayed |
| 12 | ATTS | Outputs attenuator circuit (R4, L1) control signal High : When [ATT] is turned ON |
| 13 | PR3S | Outputs pre-amplifier circuit (Q123) control signal. Low : When [P. AMP] is turned ON in 144 MHz band |
| 14 | PR2S | Outputs pre-amplifier circuit (IC191) control signal. High : When [P. AMP2] is turned ON below 60 MHz band |

(3) MAIN unit, IC1709

| Pin number | Port name | Description |
|------------|-----------|--|
| 4 | 2F3K | Outputs 9 MHz IF filter control signal. High : When 2.4 kHz filter is selected |
| 5 | 2FTH | Outputs 9 MHz IF filter control signal. High : When 15 kHz filter is selected |
| 6 | 2SO1 | Outputs 9 MHz IF filter control signal. High : When installed optional filter 1 is selected |
| 7 | 2SO2 | Outputs 9 MHz IF filter control signal. High : When installed optional filter 2 is selected |
| 11 | 3FOP | Outputs 455 kHz IF filter control signal. High : When installed optional filter is selected |
| 12 | 3F15 | Outputs 455 kHz filter control signal. High : When 15 kHz filter is selected |
| 13 | 3F9K | Outputs 455 kHz filter control signal. High : When 9 kHz filter is selected |
| 14 | 3F3K | Outputs 455 kHz filter control signal. High : When 2.4 kHz filter is selected |

(4) RF unit, IC1001

| Pin number | Port name | Description |
|------------|-----------|--|
| 4 | V1S | Outputs VCO 1 circuit (Q1201) select signal. High : While 0.03–7.999999 MHz band is displayed |
| 5 | V2S | Outputs VCO 2 circuit (Q1221) select signal. High : While 8.0–19.999999 MHz band is displayed |
| 6 | V3S | Outputs VCO 3 (Q1241) circuit select signal. High : While 20.0–44.999999 MHz and 108–153.999999 MHz band is displayed |
| 7 | V4S | Outputs VCO 4 circuit (Q1261) select signal. High : While 45.0–60.0 MHz and 159.0–174.0 MHz band is displayed |
| 11 | LOF4 | Outputs low-pass filter select signal. Low : While 108.0–174.0 MHz band is displayed |
| 12 | LOF3 | Outputs low-pass filter select signal. High : While 30.0–60.0 MHz band is displayed |
| 13 | LOF2 | Outputs low-pass filter select signal. Low : While 8.0–29.999999 MHz band is displayed |
| 14 | LOF1 | Outputs low-pass filter select signal. High : While 0.03–7.999999 MHz band is displayed |

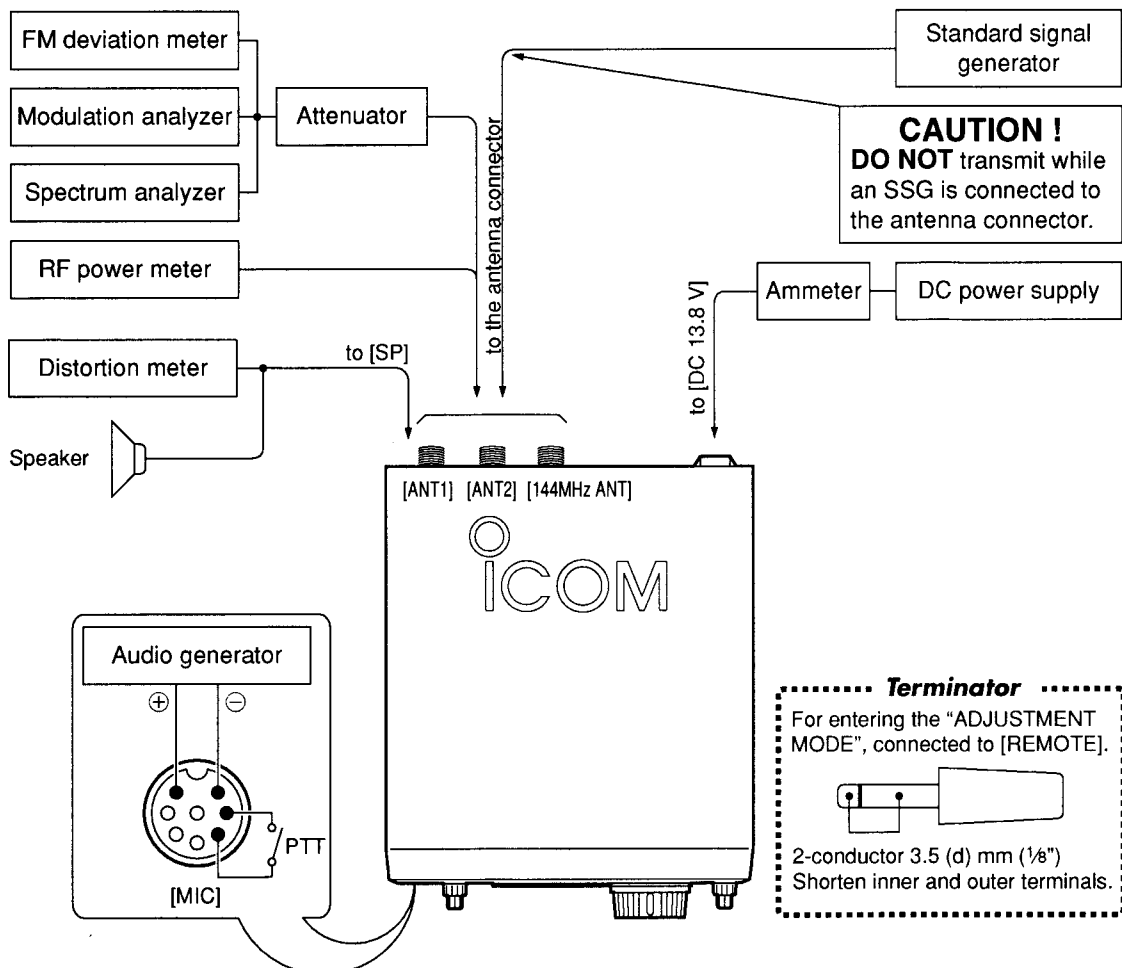
SECTION 5 ADJUSTMENT PROCEDURES

5-1 PREPARATION BEFORE SERVICING

REQUIRED TEST EQUIPMENT

| EQUIPMENT | GRADE AND RANGE | EQUIPMENT | GRADE AND RANGE |
|----------------------------------|---|---------------------------------|---|
| DC power supply | Output voltage : 13.8 V DC Current capacity : 25 A or more | Audio generator | Frequency range : 300–3000 Hz Output level : 1–500 mV |
| RF power meter (terminated type) | Measuring range : 100–200 W Frequency range : 1.8–200 MHz Impedance : 50 Ω SWR : Less than 1.2 : 1 | Standard signal generator (SSG) | Frequency range : 0.1–200 MHz Output level : 0.1 μV to –32 mV (–127 to –17 dBm) |
| Frequency counter | Frequency range : 0.1–200 MHz Frequency accuracy : ±1 ppm or better Sensitivity : 100 mV or better | Oscilloscope | Frequency range : DC–20 MHz Measuring range : 0.01–20 V |
| RF voltmeter | Frequency range : 0.1–200 MHz Measuring range : 0.01–10 V | DC voltmeter | Input impedance : 50 kΩ/V DC or better |
| FM deviation meter | Frequency range : 0–200 MHz Measuring range : 0 to ±5 kHz | AC millivoltmeter | Measuring range : 10 mV–10 V |
| Modulation analyzer | Frequency range : At least 200 MHz Measuring range : 0–100% | Digital multimeter | Input impedance : 10 MΩ/V DC or better |
| Spectrum analyzer | Frequency range : At least 1000 MHz Spectrum bandwidth : ±100 kHz or more | Ammeter | Measuring capacity : 10 A and 30 A |
| Distortion meter | Frequency range : 1 kHz ±10% Measuring range : 1–100% | External speaker | Impedance : 8 Ω Max. input power : 5 W |
| | | Attenuator | Power attenuation : 50 or 60 dB Capacity : 150 W or more |
| | | Dummy load | Resistance : 50 Ω and 100 or 25 Ω Capacity : 150 W or more |

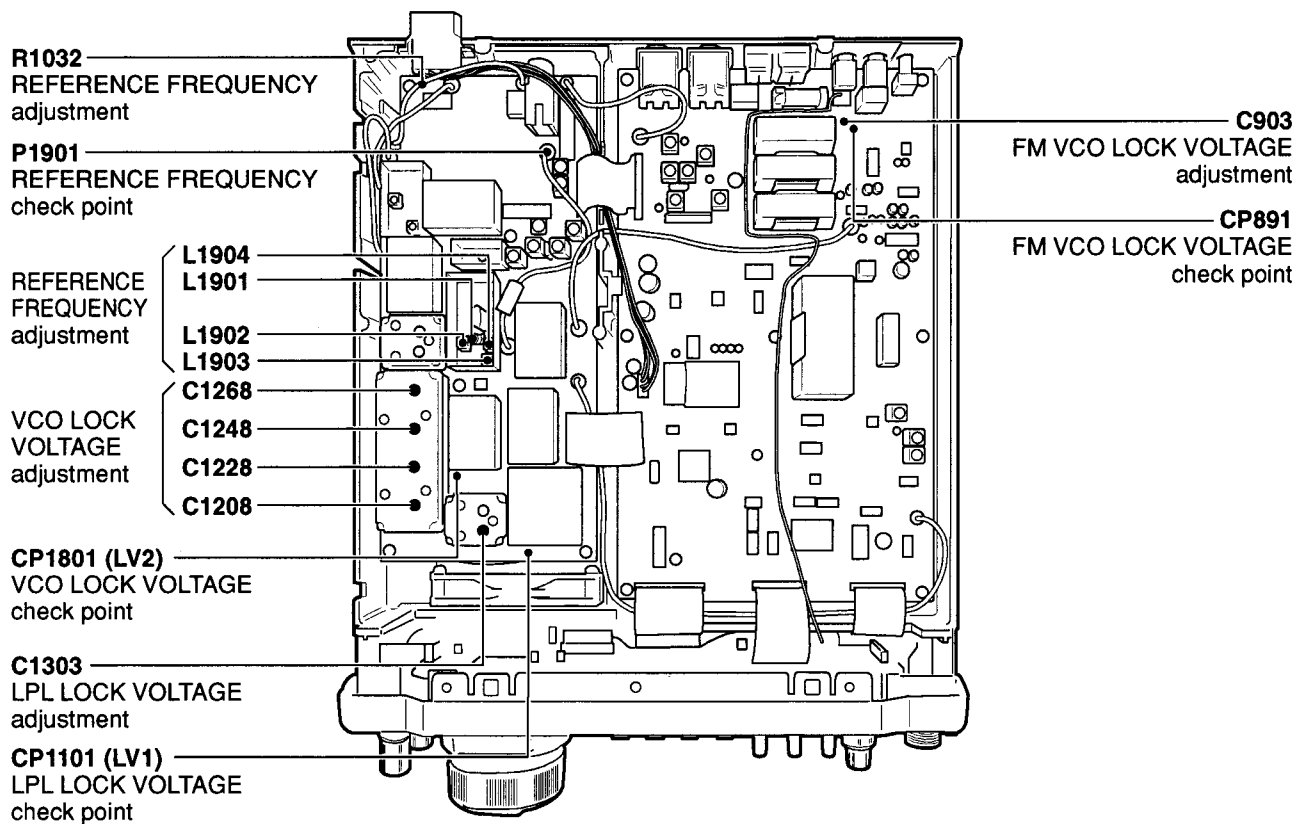
CONNECTION



5-2 PLL ADJUSTMENT

| ADJUSTMENT | ADJUSTMENT CONDITIONS | MEASUREMENT | | VALUE | ADJUSTMENT | |
|---------------------|--|-------------|--|----------------------------------|------------|--|
| | | UNIT | LOCATION | | UNIT | ADJUST |
| REFERENCE FREQUENCY | 1 •Displayed freq. : 14.100000 MHz •Mode : USB •Receiving | | | Center position | RF | R1032, L1902 |
| | 2 •Receiving | RF | Connect an RF volt- meter to P1901. | Max. output (more than 0 dBm) | | L1903, L1904 |
| | 3 •Receiving | | Connect a frequency counter to P1901. | 60.000000 MHz | | L1901 (L1902 for critical adjustment) |
| LPL LOCK VOLTAGE | 1 •Displayed freq. : 0.030000 MHz •Mode : USB •Receiving | RF | Connect a multimeter to check point, CP1101 (LV1). | 2.0 V | RF | C1303 |
| VCO LOCK VOLTAGE | 1 •Displayed freq. : 7.999999 MHz •Mode : USB •Receiving | RF | Connect a multimeter to check point, CP1801 (LV2). | 4.0 V | RF | C1208 |
| | 2 •Displayed freq. : 19.999999 MHz •Mode : USB •Receiving | | | | C1228 | |
| | 3 •Displayed freq. : 44.999999 MHz •Mode : USB •Receiving | | | | C1248 | |
| | 4 •Displayed freq. : 60.000000 MHz •Mode : USB •Receiving | | | | C1268 | |
| FM VCO LOCK VOLTAGE | 1 •Displayed freq. : 145.000000 MHz •Mode : FM •Transmitting | MAIN | Connect a multimeter to check point, CP891. | 2.0 V | MAIN | C903 |

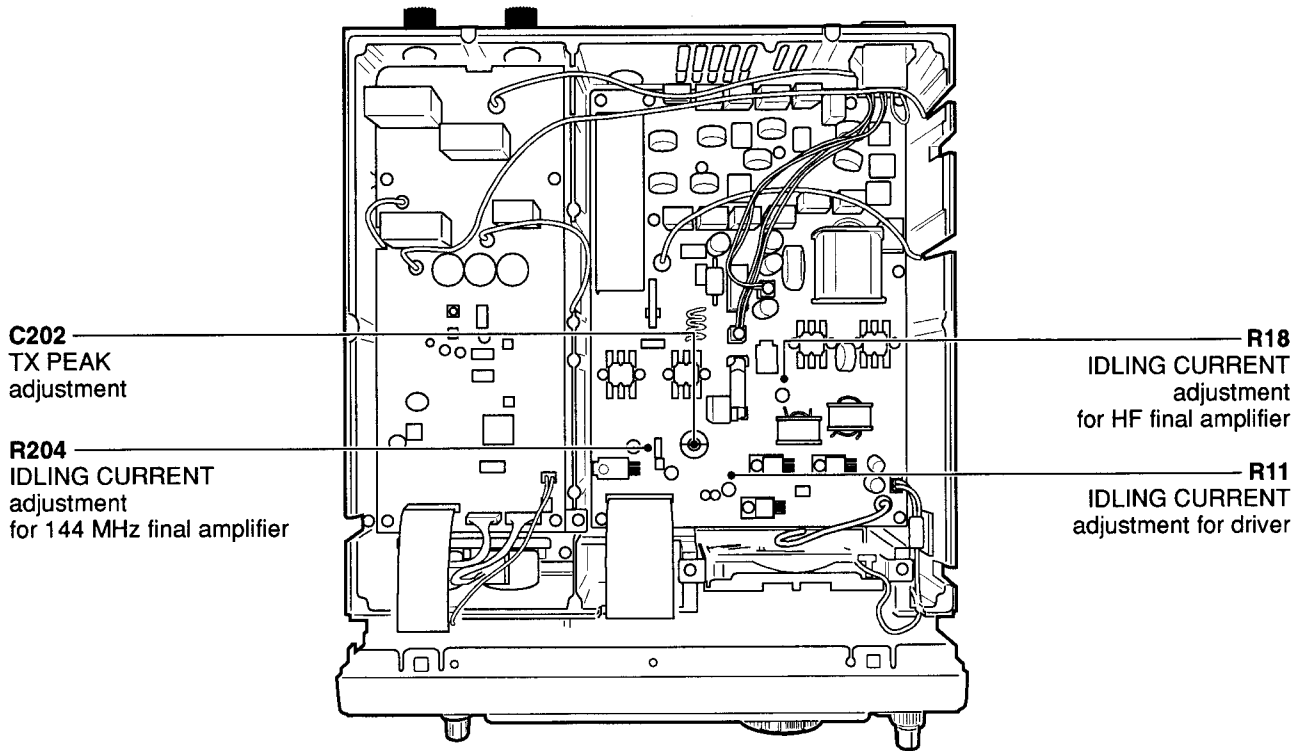
•MAIN and RF units (Bottom side of the transceiver)



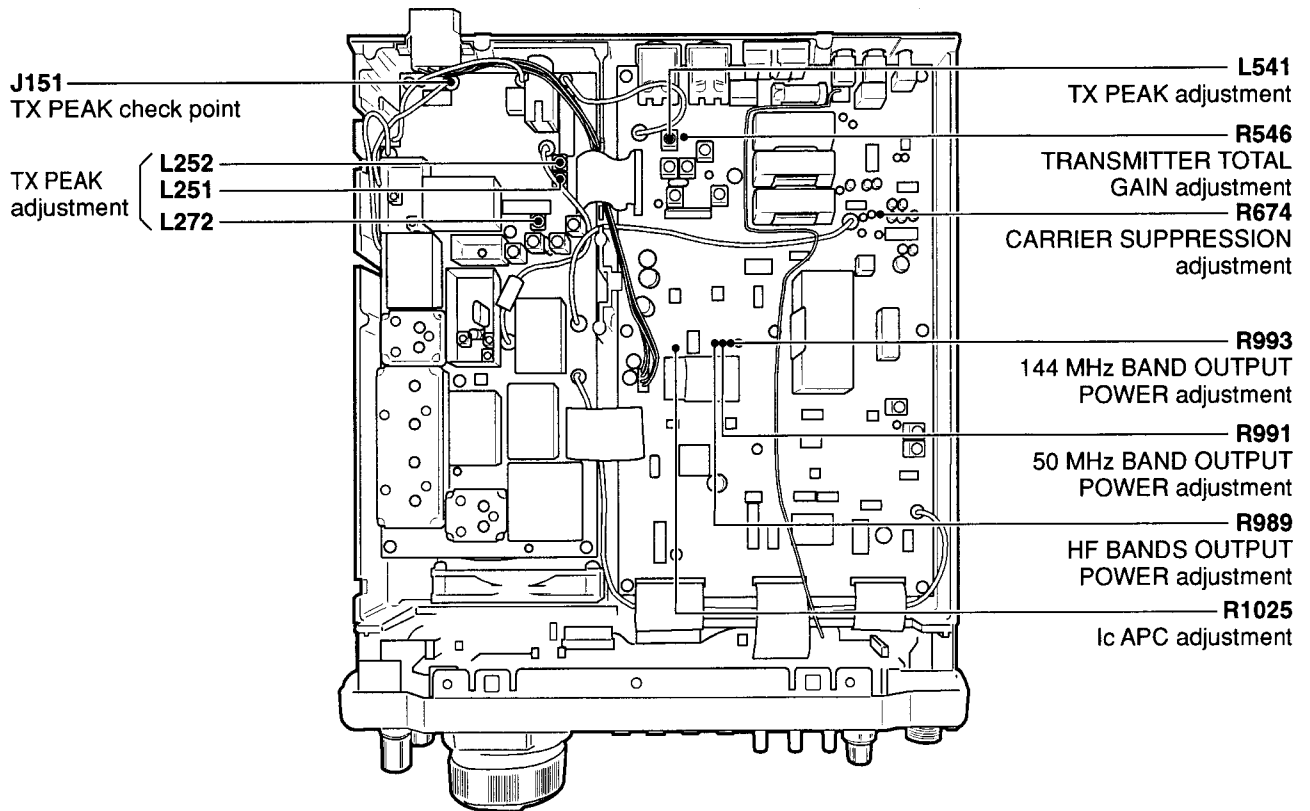
5-3 TRANSMITTER ADJUSTMENT

| ADJUSTMENT | ADJUSTMENT CONDITIONS | MEASUREMENT | | VALUE | ADJUSTMENT | |
|--------------------------------|--|-------------|---|----------------------|--------------|-------------------------------------|
| | | UNIT | LOCATION | | UNIT | ADJUST |
| IDLING CURRENT (for driver) | 1 •Displayed freq. : 14.100000 MHz •Mode : USB •Preset R11, R18, R204 on the PA unit to max. CCW and C202 to 90° CW. •[MIC GAIN] : Max. CCW •[RF PWR] : Max. CCW •Apply no audio signals to [MIC] connector. •Transmitting | Rear panel | Connect an ammeter (10 A) between an external power supply and the transceiver. | 600 mA higher | PA | R11 |
| | (for HF final amplifier) 2 •Transmitting | | | 600 mA higher | | R18 |
| | (for 144 MHz final amplifier) 3 •Displayed freq. : 144.000000 MHz •Transmitting | | | | 1.0 A higher | |
| TX PEAK | 1 •Displayed freq. : 14.100000 MHz •Mode : FM •[RF PWR] : Max. CW •Transmitting | RF | Connect a RF voltmeter to J151. | Maximum output | RF | Adjust in sequence L251, L252, L272 |
| | 2 •Mode : USB •Connect an audio generator to [MIC] connector and set as: Frequency : 1.5 kHz Level : 3 mV •Transmitting | Rear panel | Connect an RF power meter to [ANT1] connector. | 50 W | Front panel | [MIC GAIN] control |
| | 3 •Displayed freq. : 144.000000 MHz except [USA] 146.000000 MHz [USA] only •Mode : RTTY •Transmitting | Rear panel | Connect an RF power meter to [144MHz ANT] connector. | Maximum output power | MAIN | L541 |
| CARRIER SUPPRESSION | 1 •Displayed freq. : 14.100000 MHz •Mode : USB •Apply no audio signals to [MIC] connector. •[MIC GAIN] : Max. CCW •Transmitting | Rear panel | Connect an RF power meter to [ANT1] connector. | Minimum output level | PA | C202 |
| TRANSMITTER TOTAL GAIN | 1 •Displayed freq. : 14.100000 MHz •Mode : USB •Connect an audio generator to [MIC] connector and set as: Frequency : 1.5 kHz Level : 3 mV •[MIC GAIN] : Center •Transmitting | Rear panel | Connect an RF power meter to [ANT1] connector. | 50 W | MAIN | R674 |
| Ic APC | 1 •Displayed freq. : 14.100000 MHz •Mode : RTTY •Connect CP981 to GND. •Transmitting | Rear panel | Connect an ammeter (30 A) between an external power supply and the transceiver. | 22 A | MAIN | R546 |
| HF BANDS OUTPUT POWER | 1 •Displayed freq. : 14.100000 MHz •Mode : RTTY •[RF PWR] : Max. CW •Transmitting | Rear panel | Connect an RF power meter to [ANT1] connector. | 100 W | MAIN | R1025 |
| 50 MHz BAND OUTPUT POWER | 1 •Displayed freq. : 51.000000 MHz •Mode : RTTY •[RF PWR] : Max. CW •Transmitting | Rear panel | Connect an RF power meter to [ANT1] connector. | 100 W | MAIN | R989 |
| 144 MHz BAND OUTPUT POWER | 1 •Displayed freq. : 145.000000 MHz •Mode : RTTY •[RF PWR] : Max. CW •Transmitting | Rear panel | Connect an RF power meter to [144 MHz ANT] connector. | 100 W | MAIN | R991 |
| | | | | | MAIN | R993 |

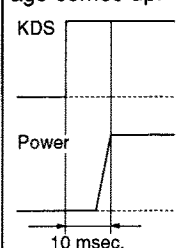
•PA and CTRL units (Top side of the transceiver)



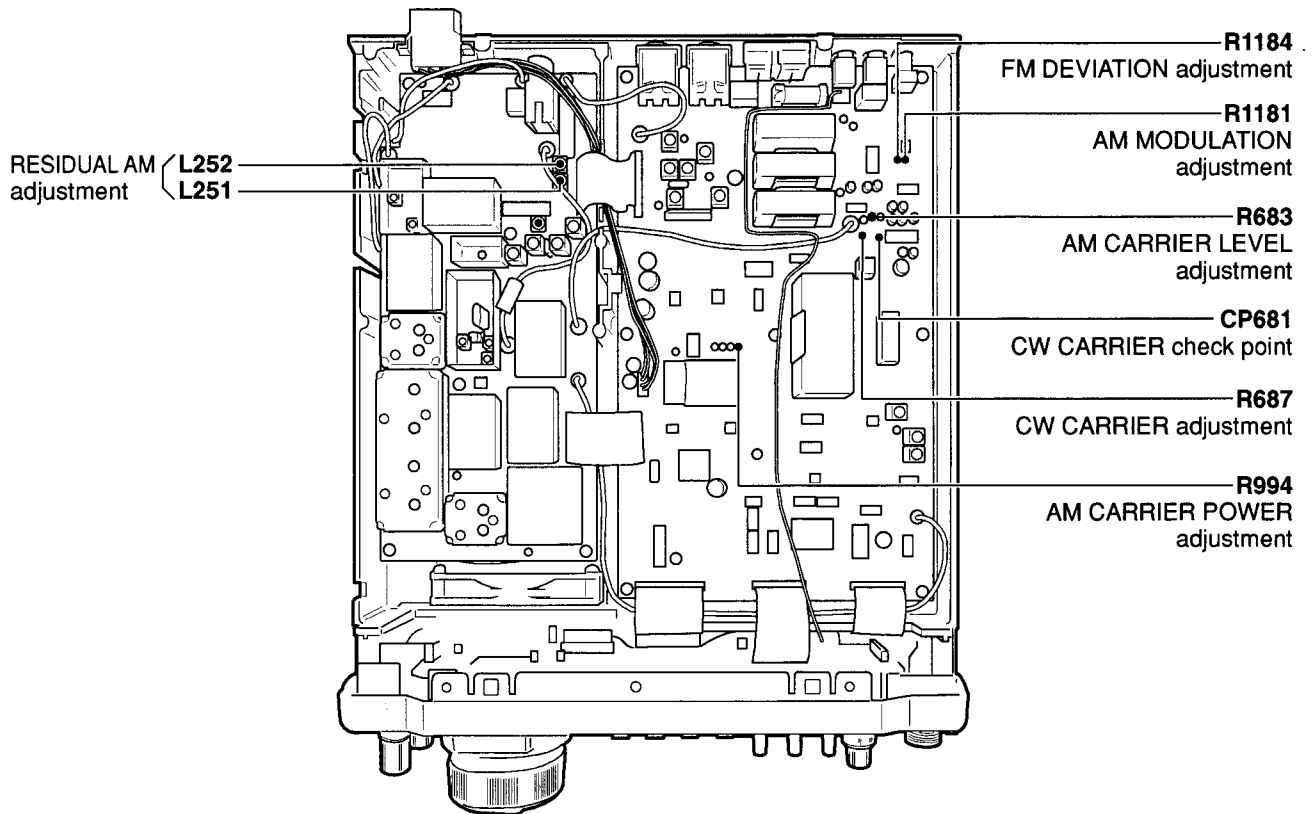
•MAIN and RF units (Bottom side of the transceiver)



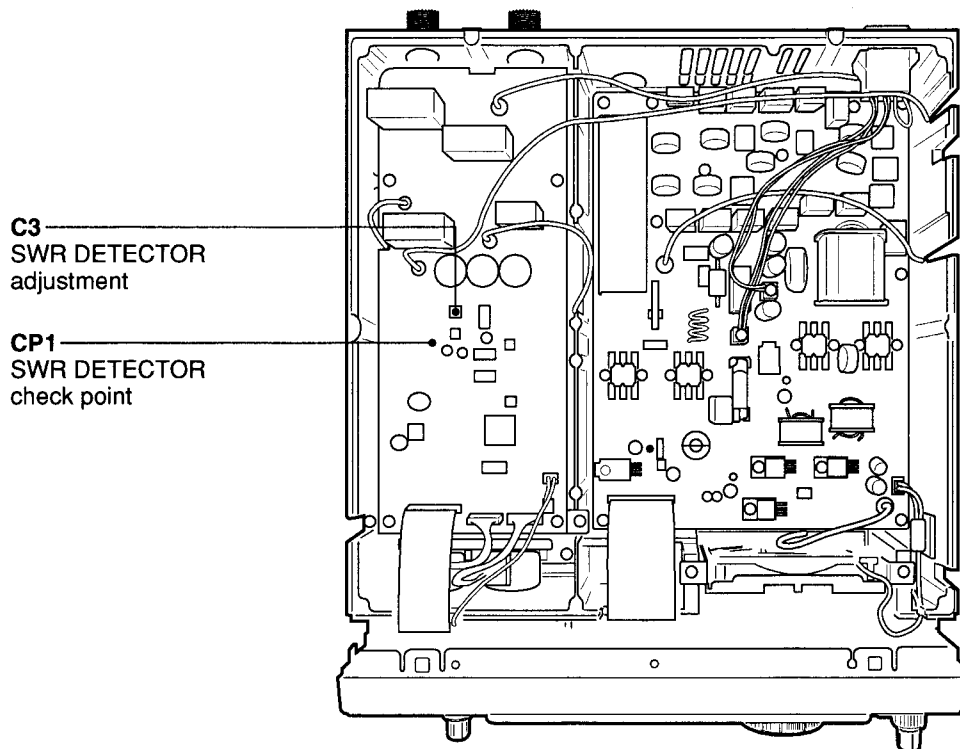
TRANSMITTER ADJUSTMENT—continued

| ADJUSTMENT | ADJUSTMENT CONDITIONS | MEASUREMENT | | VALUE | ADJUSTMENT | |
|------------------|--|---------------------|--|--|------------|------------|
| | | UNIT | LOCATION | | UNIT | ADJUST |
| FM DEVIATION | 1 <ul style="list-style-type: none"> • Displayed freq. : 29.600000 MHz • Mode : FM • [MIC GAIN] : Center • [RF PWR] : Max. CW • TONE : OFF • Connect an audio generator to [MIC] connector and set as: <ul style="list-style-type: none"> Frequency : 1 kHz Level : 30 mV • Transmitting | Rear panel | Connect an FM deviation meter to [ANT1] connector through an attenuator. | ±4.5 kHz | MAIN | R1184 |
| RESIDUAL AM | 1 <ul style="list-style-type: none"> • Displayed freq. : 14.100000 MHz • Mode : FM • [MIC GAIN] : Center • [RF PWR] : Max. CW • TONE : OFF • Connect an audio generator to [MIC] connector and set as: <ul style="list-style-type: none"> Frequency : 1 kHz Level : 30 mV and OFF • Transmitting | Rear panel | Connect an RF power meter to [ANT1] connector. | Minimum power difference with modulation and no modulation | RF | L251, L252 |
| AM CARRIER LEVEL | 1 <ul style="list-style-type: none"> • Displayed freq. : 14.100000 MHz • Mode : AM • Apply no audio signals to [MIC] connector • Transmitting | MAIN | Connect an RF voltmeter to check point, CP621. | 150 mV (PEP) | MAIN | R683 |
| AM CARRIER POWER | 1 <ul style="list-style-type: none"> • Displayed freq. : 14.100000 MHz • Mode : AM • [RF PWR] : Max. CW • Transmitting | Rear panel | Connect an RF power meter to [ANT1] connector. | 40 W | MAIN | R994 |
| AM MODULATION | 1 <ul style="list-style-type: none"> • Displayed freq. : 14.100000 MHz • Mode : USB • [MIC GAIN] : Center • [RF PWR] : Max. CW • Connect an audio generator to the [MIC] connector and set as: <ul style="list-style-type: none"> Frequency : 1.5 kHz Level : 3 mV • Transmitting | Rear panel | Connect a modulation analyzer to [ANT1] connector through an attenuator. | 70% | MAIN | R1181 |
| CW CARRIER | 1 <ul style="list-style-type: none"> • Displayed freq. : 14.100000 MHz • Mode : CW • [RF PWR] : Max. CCW • [KEY SPEED] : Max. CW • Connect a "key" to [ELE-KEY] jack. • Key down (transmitting) | MAIN and Rear panel | Connect an oscilloscope to check point, CP681 (KDS line) and [ANT1] connector. | At the point where the CW carrier completely comes up in a 10 msec. delay after KDS voltage comes up.  | MAIN | R687 |
| SWR DETECTOR | 1 <ul style="list-style-type: none"> • Displayed freq. : 29.700000 MHz • Mode : RTTY • [RF POWER] : Max. CW • [TUNER] : OFF (Through) • Connect a 50 Ω dummy load or an RF power meter to [ANT1] connector. • Transmitting | CTRL | Connect a multimeter to check point, CP1. | Minimum voltage | CTRL | C3 |

•MAIN and RF units (Bottom side of the transceiver)



•PA and CTRL units (Top side of the transceiver)

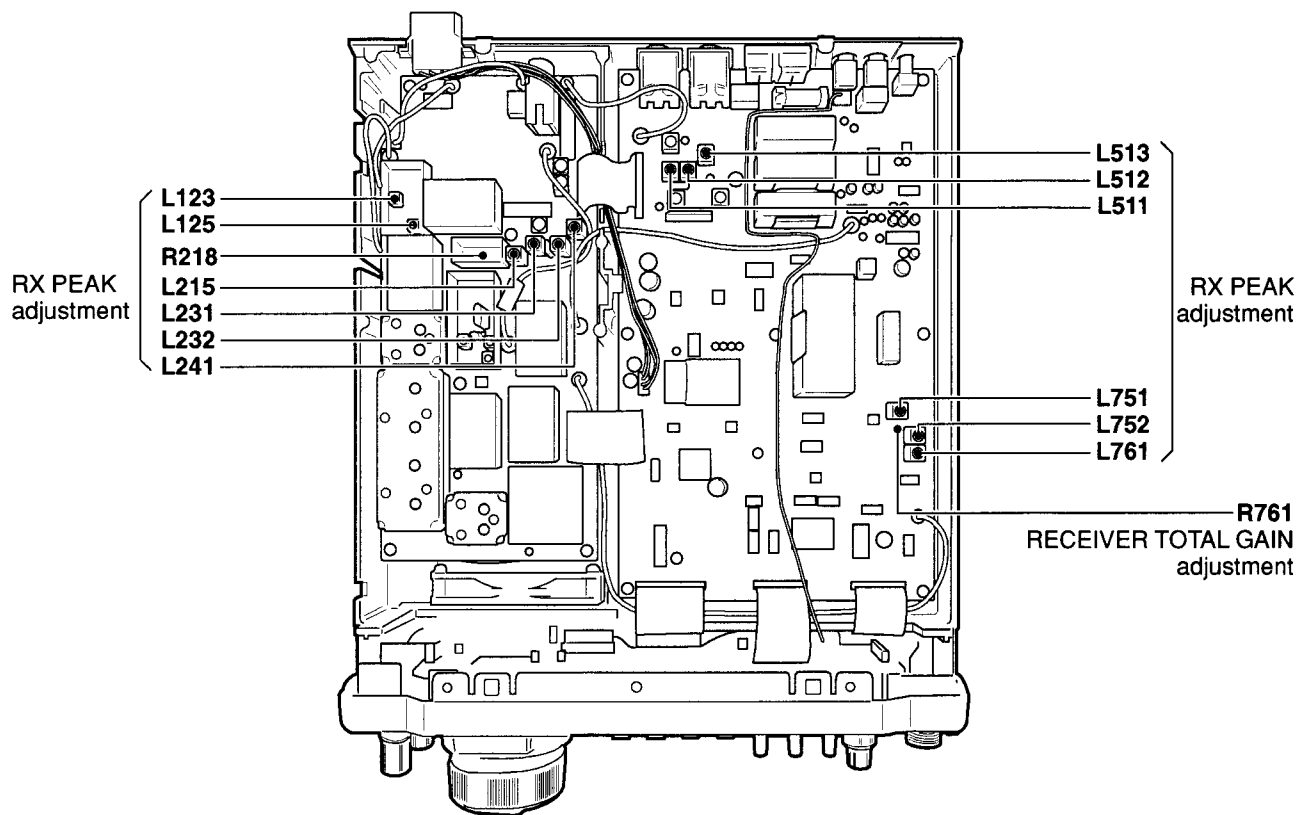


5-4 RECEIVER ADJUSTMENT

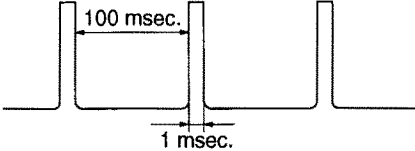
| ADJUSTMENT | ADJUSTMENT CONDITIONS | MEASUREMENT | | VALUE | ADJUSTMENT | | | |
|---------------------|-----------------------|--|------------|---|---------------------|---|---|------|
| | | UNIT | LOCATION | | UNIT | ADJUST | | |
| RX PEAK | 1 | <ul style="list-style-type: none"> •Displayed freq. : 14.100000 MHz •Mode : USB •[P. AMP1] : ON •[RF/SQ] : 12 o'clock •[ATT] : OFF •Connect an SSG to [ANT1] connector and set as: Frequency : 14.1015 MHz Level : 10 μV* (-87 dBm) Modulation : OFF •Receiving | Rear panel | Connect an AC millivolt meter to [SP] jack with an 8 Ω load. | Maximum audio level | RF | Adjust in sequence L215, L231, L232, L241 | |
| | 2 | <ul style="list-style-type: none"> •Displayed freq. : 0.030000 MHz •Apply no RF signal to [ANT1] connector. •Receiving | | | | Minimum noise level | R218 | |
| | 3 | <ul style="list-style-type: none"> •Displayed freq. : 145.000000 MHz •Mode : USB •[P. AMP] : ON •[RF/SQ] : 12 o'clock •[ATT] : OFF •Connect an SSG to [144MHz ANT] connector and set as: Frequency : 145.0015 MHz Level : 10 μV* (-87 dBm) Modulation : OFF •Receiving | | | | Maximum audio level | Adjust in sequence L123, L125 | |
| | 4 | <ul style="list-style-type: none"> •Mode : FM •Set an SSG as: Frequency : 145.0000 MHz Level : 0.18 μV* (-122 dBm) Modulation : 1 kHz/±3.5 kHz Dev. •Receiving | | | | Connect a distortion meter to [SP] jack with an 8 Ω load. | Minimum distortion level | L232 |
| | 5 | <ul style="list-style-type: none"> •Displayed freq. : 14.100000 MHz •Mode : USB •[P. AMP1] : ON •[RF/SQ] : 12 o'clock •[ATT] : OFF •Set IF filter selection as follows: 9 MHz : 2.4 kHz 455 kHz : 2.4 kHz •Connect an SSG to [144MHz ANT] connector and set as: Frequency : 14.1015 MHz Level : 10 μV* (-87 dBm) Modulation : OFF •Receiving | | | | Connect an AC millivolt meter to [SP] jack with an 8 Ω load. | Maximum audio level | MAIN |
| RECEIVER TOTAL GAIN | 1 | <ul style="list-style-type: none"> •Displayed freq. : 14.100000 MHz •Mode : USB •[P. AMP1] : OFF •[RF/SQ] : 12 o'clock •[ATT] : OFF •Set IF filter selection as follows: 9 MHz : 2.4 kHz 455 kHz : 2.4 kHz •Connect an SSG to [144MHz ANT] connector and set as: Frequency : 14.1015 MHz Level : 0.5 mV* (-53 dBm) Modulation : OFF •Receiving | Rear panel | Connect an AC millivolt meter to [SP] jack with an 8 Ω load. | 1.0 V (0 dBm) | Front panel | [AF] control | |
| | 2 | <ul style="list-style-type: none"> •Set an SSG output level: OFF •Receiving | | | 32 mV (-30 dB) | MAIN | R761 | |

*This output level of a standard signal generator (SSG) is indicated as SSG's open circuit.

•MAIN and RF units (Bottom side of the transceiver)

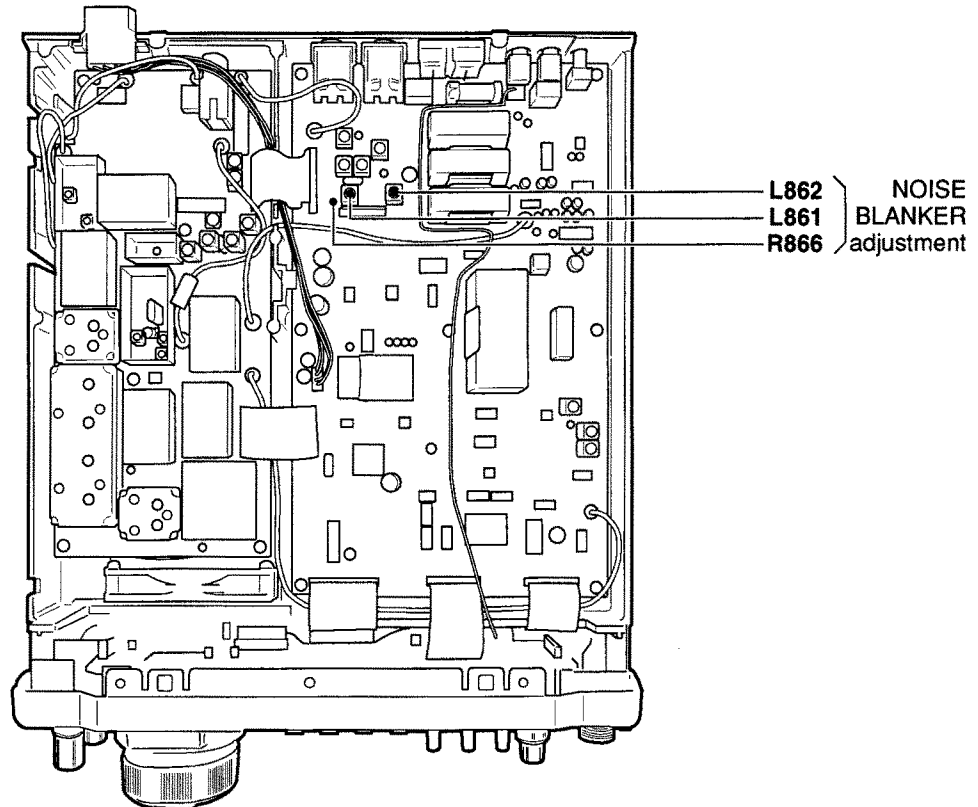


RECEIVER ADJUSTMENT— continued

| ADJUSTMENT | ADJUSTMENT CONDITIONS | MEASUREMENT | | VALUE | ADJUSTMENT | |
|------------------|--|-------------|---|---|------------|---------------|
| | | UNIT | LOCATION | | UNIT | ADJUST |
| NOISE BLANKER | 1 <ul style="list-style-type: none"> • Displayed freq. : 14.100000 MHz • Mode : USB • [P.AMP1] : ON • [NB] : OFF • Connect an SSG to [ANT1] connector and set as: <ul style="list-style-type: none"> Frequency : 14.1015 MHz Level : 18 μV^* (-82 dBm) Modulation : OFF and apply the following signal to [ANT1] connector.  <ul style="list-style-type: none"> • Preset R866 to 12 o'clock position. • Receiving | MAIN | Connect an oscilloscope to check point, CP861. | Maximum noise level | MAIN | L861, L862 |
| | 2 <ul style="list-style-type: none"> • Set an SSG output level as: 10 μV^* (-87 dBm) • [NB] : ON • Receiving | Rear panel | Connect an oscilloscope to [SP] jack with an 8 Ω load. | At the point where noise blanker is just activated. | | R866 |

*This output level of a standard signal generator (SSG) is indicated as SSG's open circuit.

•MAIN and RF units (Bottom side of the transceiver)



5-5 ADJUSTMENT MODE

| ADJUSTMENT | ADJUSTMENT CONDITIONS | DOT MATRIX DISPLAY | OPERATION |
|--------------------------------------|--|----------------------------|--|
| ENTERING ADJUSTMENT MODE | 1 <ul style="list-style-type: none"> •Connect a terminator to [REMOTE] jack. •While pushing and holding [MENU] and [SSB], turn power ON. | TX RX VOL | Push [F1] for TX, [F2] for RX or [F3] for VOL to select adjustment item. |
| TRANSMITTER ADJUSTMENT (Preparation) | 1 <ul style="list-style-type: none"> •Connect an RF power meter to [ANT1] and [144MHz ANT], and 100 Ω or 25 Ω dummy load to [ANT2]. •Connect an audio generator to [MIC] and set as: Frequency : 1.5 kHz Level : 30 mV | TX RX VOL | Push [F1]: TX. |
| (FILTER CAL.) | 2 | FILTER CAL. chk SET | Push [F5]: SET. |
| (POWER HF 100%) | 3 <ul style="list-style-type: none"> •Push [F1]: ∇ to next adjustment item. | POWER HF 100% chk SET | Rotate [DIAL] to be 90 W output, then push [F5]: SET. |
| (POWER HF 50%) | 4 <ul style="list-style-type: none"> •Push [F1]: ∇ to next adjustment item. | POWER HF 50% chk SET | Rotate [DIAL] to be 50 W output, then push [F5]: SET. |
| (POWER HF 20%) | 5 <ul style="list-style-type: none"> •Push [F1]: ∇ to next adjustment item. | POWER HF 20% chk SET | Rotate [DIAL] to be 20 W output, then push [F5]: SET. |
| (POWER HF TUNER) | 6 <ul style="list-style-type: none"> •Push [F1]: ∇ to next adjustment item. | POWER HF Tuner chk SET | Rotate [DIAL] to be 10 W output, then push [F5]: SET. |
| (POWER 50 MHz TUNER) | 7 <ul style="list-style-type: none"> •Push [F1]: ∇ to next adjustment item. | POWER 50M Tuner chk SET | Rotate [DIAL] to be 10 W output, then push [F5]: SET. |
| (POWER 144 MHz 100%) | 8 <ul style="list-style-type: none"> •Push [F1]: ∇ to next adjustment item. | POWER 144M 100% chk SET | Rotate [DIAL] to be 90 W output, then push [F5]: SET. |
| (POWER 144 MHz 50%) | 9 <ul style="list-style-type: none"> •Push [F1]: ∇ to next adjustment item. | POWER 144M 50% chk SET | Rotate [DIAL] to be 50 W output, then push [F5]: SET. |
| (POWER 144 MHz 20%) | 10 <ul style="list-style-type: none"> •Push [F1]: ∇ to next adjustment item. | POWER 144M 20% chk SET | Rotate [DIAL] to be 20 W output, then push [F5]: SET. |
| (ALC) | 11 <ul style="list-style-type: none"> •Push [F1]: ∇ to next adjustment item. | ALC chk SET | Push [F5]: SET. |
| (SWR HF/50 MHz) | 12 <ul style="list-style-type: none"> •Push [F1]: ∇ to next adjustment item. | SWR HF/50M chk SET | Push [F5]: SET. |
| (SWR 144 MHz -1) | 13 <ul style="list-style-type: none"> •Push [F1]: ∇ to next adjustment item. | SWR 144M-1 chk SET | Push [F5]: SET. |
| (SWR 144 MHz -2) | 14 <ul style="list-style-type: none"> •Push [F1]: ∇ to next adjustment item. •Connect 100 Ω or 25 Ω dummy load to [144MHz ANT] connector. | SWR 144M-2 chk SET | Push [F5]: SET, then push [F1]: ∇ to return to step 1. |
| RECEIVER ADJUSTMENT (Preparation) | 1 <ul style="list-style-type: none"> •Connect an SSG to [ANT1] and set as: Frequency : 14.1015 MHz Level : OFF Modulation : OFF •Receiving | TX RX VOL | Push [F2]: RX. |
| (S0 LEVEL) | 2 | S0 Level chk SET | Push [F5]: SET. |
| (S9 LEVEL) | 3 <ul style="list-style-type: none"> •Push [F1]: ∇ to next adjustment item. •Set an SSG level as: 50 μV* (-73 dBm) | S9 Level chk SET | Push [F5]: SET. |
| (S9+60 LEVEL) | 4 <ul style="list-style-type: none"> •Push [F1]: ∇ to next adjustment item. •Set an SSG level as: 50 mV* (-13 dBm) | S9+60 Level chk SET | Push [F5]: SET, then push [F1]: ∇ to return to step 1. |
| VOLUME ADJUSTMENT (Preparation) | 1 <ul style="list-style-type: none"> •Set [PBT1] and [PBT2] to center position. | TX RX VOL | Push [F3]: VOL. |
| PBT1 (IN) | 2 | PBT1 (in) chk SET | Push [F5]: SET. |
| PBT2 (OUT) | 3 <ul style="list-style-type: none"> •Push [F1]: ∇ to next adjustment item. | PBT1 (out) chk SET | Push [F5]: SET, then push [F1]: ∇ to return to step 1. |

*This output level of a standard signal generator (SSG) is indicated as SSG's open circuit.

SECTION 6 PARTS LIST

[S-LOGIC BOARD]

| REF NO. | ORDER NO. | DESCRIPTION | |
|---------|------------|--------------|-------------------------|
| IC101 | 1130008650 | S.IC | MC14071BF-EL |
| IC102 | 1130002660 | S.IC | μPD4030BG-T1 |
| IC401 | 1110004200 | S.IC | NJM2360M-TE3 |
| IC402 | 1180001770 | S.IC | TA79L05F (TE12L) |
| IC571 | 1130003710 | S.IC | TC4S71F (TE85R) |
| Q301 | 1530002060 | S.TRANSISTOR | 2SC4081 T107 R |
| Q302 | 1520000650 | S.TRANSISTOR | 2SB1201-S-TL |
| Q303 | 1530003300 | S.TRANSISTOR | 2SC3647S-TD |
| Q304 | 1530003300 | S.TRANSISTOR | 2SC3647S-TD |
| D301 | 1730000590 | S.ZENER | RD3.0M-T2B2 |
| D402 | 1790001470 | S.DIODE | SB10-05PCP-TD |
| D573 | 1750000370 | S.DIODE | DA221 TL |
| L301 | 6180000990 | COIL | LAL 04NA 101K |
| L302 | 6190001190 | S.COIL | D10F-A814AY-101K=P3 |
| L303 | 6190001180 | S.COIL | BLC13H-D818HN-1107 |
| L401 | 6190001200 | S.COIL | D10F-A814AY-681K=P3 |
| L402 | 6190001210 | S.COIL | D10F-A814AY-221K=P3 |
| L403 | 6190001200 | S.COIL | D10F-A814AY-681K=P3 |
| R1 | 7210002890 | VARIABLE | RV-308 |
| R2 | 7030003440 | S.RESISTOR | ERJ3GEYJ 102 V (1 kΩ) |
| R3 | 7030003440 | S.RESISTOR | ERJ3GEYJ 102 V (1 kΩ) |
| R4 | 7210002890 | VARIABLE | RV-308 |
| R5 | 7030003440 | S.RESISTOR | ERJ3GEYJ 102 V (1 kΩ) |
| R6 | 7030003440 | S.RESISTOR | ERJ3GEYJ 102 V (1 kΩ) |
| R7 | 7210002630 | VARIABLE | EVU-FLAE02 B14 (10KB) |
| R8 | 7030003440 | S.RESISTOR | ERJ3GEYJ 102 V (1 kΩ) |
| R9 | 7210002630 | VARIABLE | EVU-FLAE02 B14 (10 kB) |
| R10 | 7030003440 | S.RESISTOR | ERJ3GEYJ 102 V (1 kΩ) |
| R11 | 7210002630 | VARIABLE | EVU-FLAE02 B14 (10 kB) |
| R12 | 7030003440 | S.RESISTOR | ERJ3GEYJ 102 V (1 kΩ) |
| R13 | 7210002630 | VARIABLE | EVU-FLAE02 B14 (10KB) |
| R14 | 7030003440 | S.RESISTOR | ERJ3GEYJ 102 V (1 kΩ) |
| R15 | 7030003540 | S.RESISTOR | ERJ3GEYJ 682 V (6.8 kΩ) |
| R16 | 7030003480 | S.RESISTOR | ERJ3GEYJ 222 V (2.2 kΩ) |
| R17 | 7030003520 | S.RESISTOR | ERJ3GEYJ 472 V (4.7 kΩ) |
| R18 | 7030003580 | S.RESISTOR | ERJ3GEYJ 153 V (15 kΩ) |
| R101 | 7030003680 | S.RESISTOR | ERJ3GEYJ 104 V (100 kΩ) |
| R102 | 7030003720 | S.RESISTOR | ERJ3GEYJ 224 V (220 kΩ) |
| R103 | 7030003680 | S.RESISTOR | ERJ3GEYJ 104 V (100 kΩ) |
| R104 | 7030003800 | S.RESISTOR | ERJ3GEYJ 105 V (1 MΩ) |
| R105 | 7030003680 | S.RESISTOR | ERJ3GEYJ 104 V (100 kΩ) |
| R106 | 7030003720 | S.RESISTOR | ERJ3GEYJ 224 V (220 kΩ) |
| R107 | 7030003680 | S.RESISTOR | ERJ3GEYJ 104 V (100 kΩ) |
| R108 | 7030003800 | S.RESISTOR | ERJ3GEYJ 105 V (1 MΩ) |
| R111 | 7030003580 | S.RESISTOR | ERJ3GEYJ 153 V (15 kΩ) |
| R112 | 7030003640 | S.RESISTOR | ERJ3GEYJ 473 V (47 kΩ) |
| R113 | 7030003580 | S.RESISTOR | ERJ3GEYJ 153 V (15 kΩ) |
| R301 | 7030003540 | S.RESISTOR | ERJ3GEYJ 682 V (6.8 kΩ) |
| R302 | 7030003620 | S.RESISTOR | ERJ3GEYJ 333 V (33 kΩ) |
| R303 | 7030000300 | S.RESISTOR | MCR10EZHJ 220 Ω (221) |
| R304 | 7030003500 | S.RESISTOR | ERJ3GEYJ 332 V (3.3 kΩ) |
| R305 | 7030003500 | S.RESISTOR | ERJ3GEYJ 332 V (3.3 kΩ) |
| R306 | 7510000880 | S.THERMISTOR | NTCCF2012 3JH 472KC-T |
| R401 | 7030004050 | S.RESISTOR | ERJ3GEYJ 1R0 V (1 Ω) |
| R402 | 7030004050 | S.RESISTOR | ERJ3GEYJ 1R0 V (1 Ω) |
| R403 | 7030006600 | S.RESISTOR | RR0816P-822-D (8.2 kΩ) |
| R404 | 7030006460 | S.RESISTOR | RR0816P-152-D (1.5 kΩ) |
| R571 | 7030003600 | S.RESISTOR | ERJ3GEYJ 223 V (22 kΩ) |
| R576 | 7030003680 | S.RESISTOR | ERJ3GEYJ 104 V (100 kΩ) |
| C1 | 4030006880 | S.CERAMIC | C1608 JB 1H 472K-T-A |
| C2 | 4030006880 | S.CERAMIC | C1608 JB 1H 472K-T-A |
| C3 | 4030006880 | S.CERAMIC | C1608 JB 1H 472K-T-A |
| C4 | 4030006880 | S.CERAMIC | C1608 JB 1H 472K-T-A |
| C5 | 4030006880 | S.CERAMIC | C1608 JB 1H 472K-T-A |
| C6 | 4030006880 | S.CERAMIC | C1608 JB 1H 472K-T-A |
| C7 | 4030006880 | S.CERAMIC | C1608 JB 1H 472K-T-A |

[S-LOGIC BOARD]

| REF NO. | ORDER NO. | DESCRIPTION | |
|---------|------------|----------------|----------------------|
| C8 | 4030006880 | S.CERAMIC | C1608 JB 1H 472K-T-A |
| C9 | 4030011600 | S.CERAMIC | C1608 JB 1C 104KT-N |
| C101 | 4030006860 | S.CERAMIC | C1608 JB 1H 102K-T-A |
| C102 | 4030006860 | S.CERAMIC | C1608 JB 1H 102K-T-A |
| C111 | 4030011600 | S.CERAMIC | C1608 JB 1C 104KT-N |
| C112 | 4030006860 | S.CERAMIC | C1608 JB 1H 102K-T-A |
| C113 | 4030006860 | S.CERAMIC | C1608 JB 1H 102K-T-A |
| C114 | 4030006860 | S.CERAMIC | C1608 JB 1H 102K-T-A |
| C115 | 4030011600 | S.CERAMIC | C1608 JB 1C 104KT-N |
| C302 | 4510004630 | S.ELECTROLYTIC | ECEV1CA100SR |
| C303 | 4510004640 | S.ELECTROLYTIC | ECEV1CA470SP |
| C304 | 4310000920 | MYLAR | 250 MMW 473K |
| C305 | 4030013860 | S.CERAMIC | GHM1038 SL 120J 3K |
| C306 | 4510004440 | S.ELECTROLYTIC | ECEV1HA010SR |
| C307 | 4510004630 | S.ELECTROLYTIC | ECEV1CA100SR |
| C401 | 4030011600 | S.CERAMIC | C1608 JB 1C 104KT-N |
| C402 | 4510004590 | ELECTROLYTIC | 16 MV 470 HC |
| C403 | 4030011600 | S.CERAMIC | C1608 JB 1C 104KT-N |
| C404 | 4510005000 | ELECTROLYTIC | 16 MV 220 HC |
| C405 | 4030011280 | S.CERAMIC | C1608 CH 1H 271J-T-A |
| C406 | 4510006240 | S.ELECTROLYTIC | ECEV1CA221P |
| C407 | 4030011600 | S.CERAMIC | C1608 JB 1C 104KT-N |
| C408 | 4030011600 | S.CERAMIC | C1608 JB 1C 104KT-N |
| C409 | 4510004630 | S.ELECTROLYTIC | ECEV1CA100SR |
| C571 | 4510005810 | S.ELECTROLYTIC | ECEV1HAR47R |
| C572 | 4030011600 | S.CERAMIC | C1608 JB 1C 104KT-N |
| C601 | 4030011600 | S.CERAMIC | C1608 JB 1C 104KT-N |
| C602 | 4510004630 | S.ELECTROLYTIC | ECEV1CA100SR |
| S1 | 2260001890 | S.SWITCH | SKQDPA |
| S2 | 2260001890 | S.SWITCH | SKQDPA |
| S3 | 2260001890 | S.SWITCH | SKQDPA |
| S4 | 2260001890 | S.SWITCH | SKQDPA |
| S5 | 2260001890 | S.SWITCH | SKQDPA |
| S6 | 2260001890 | S.SWITCH | SKQDPA |
| S7 | 2260001890 | S.SWITCH | SKQDPA |
| S8 | 2260001890 | S.SWITCH | SKQDPA |
| S9 | 2260001890 | S.SWITCH | SKQDPA |
| S10 | 2260001890 | S.SWITCH | SKQDPA |
| S11 | 2260001890 | S.SWITCH | SKQDPA |
| S601 | 2260001890 | S.SWITCH | SKQDPA |
| J301 | 6510019990 | S.CONNECTOR | 52808-2290 |
| J302 | 6510019990 | S.CONNECTOR | 52808-2290 |
| J303 | 6510003400 | CONNECTOR | B04B-EH-S |
| J501 | 6510019970 | S.CONNECTOR | 52808-1090 |
| J502 | 6510019970 | S.CONNECTOR | 52808-1090 |
| J507 | 6510019970 | S.CONNECTOR | 52808-1090 |
| J508 | 6510019970 | S.CONNECTOR | 52808-1090 |
| J601 | 6510019990 | S.CONNECTOR | 52808-2290 |
| J604 | 6510003400 | CONNECTOR | B04B-EH-S |
| P602 | 6510018980 | CONNECTOR | PHR-2 |
| EP1 | 0910049924 | PCB | B 5103D |

S.=Surface mount

[DISPLAY BOARD]

| REF NO. | ORDER NO. | DESCRIPTION | |
|---------|------------|-------------|----------------------------------|
| IC1001 | 1140007350 | S.IC | HD6433832SD08H |
| IC1002 | 1130007810 | S.IC | BU4051BCF-T1 |
| IC1003 | 1130006910 | S.IC | TC7W74F (TE12L) |
| IC1004 | 1130007040 | S.IC | TC7W32F(TE12L) |
| IC1005 | 1110002490 | S.IC | M5218FP-73A |
| IC1006 | 1130007960 | S.IC | SED1522F0C |
| IC1007 | 1130008860 | S.IC | HD61203UFS |
| IC1008 | 1130008850 | S.IC | HD61202UFS |
| IC1009 | 1130008850 | S.IC | HD61202UFS |
| IC1010 | 1110002490 | S.IC | M5218FP-73A |
| IC1011 | 1110002490 | S.IC | M5218FP-73A |
| IC1012 | 1110002490 | S.IC | M5218FP-73A |
| IC1013 | 1110002490 | S.IC | M5218FP-73A |
| D1001 | 1790001250 | S.DIODE | MA2S111-(TX) |
| D1002 | 1790001250 | S.DIODE | MA2S111-(TX) |
| D1003 | 1750000370 | S.DIODE | DA221 TL |
| D1004 | 1750000370 | S.DIODE | DA221 TL |
| D1005 | 1790001250 | S.DIODE | MA2S111-(TX) |
| X1001 | 6050009870 | S.CRYSTAL | CR-567 (9.8304 MHz) |
| R531 | 7030003440 | S.RESISTOR | ERJ3GEYJ 102 V (1 k Ω) |
| R532 | 7030003440 | S.RESISTOR | ERJ3GEYJ 102 V (1 k Ω) |
| R533 | 7030003440 | S.RESISTOR | ERJ3GEYJ 102 V (1 k Ω) |
| R534 | 7030003440 | S.RESISTOR | ERJ3GEYJ 102 V (1 k Ω) |
| R535 | 7030003440 | S.RESISTOR | ERJ3GEYJ 102 V (1 k Ω) |
| R536 | 7030003440 | S.RESISTOR | ERJ3GEYJ 102 V (1 k Ω) |
| R537 | 7030003440 | S.RESISTOR | ERJ3GEYJ 102 V (1 k Ω) |
| R538 | 7030003440 | S.RESISTOR | ERJ3GEYJ 102 V (1 k Ω) |
| R539 | 7030003440 | S.RESISTOR | ERJ3GEYJ 102 V (1 k Ω) |
| R540 | 7030003480 | S.RESISTOR | ERJ3GEYJ 222 V (2.2 k Ω) |
| R541 | 7030003420 | S.RESISTOR | ERJ3GEYJ 681 V (680 Ω) |
| R542 | 7030003480 | S.RESISTOR | ERJ3GEYJ 222 V (2.2 k Ω) |
| R543 | 7030003420 | S.RESISTOR | ERJ3GEYJ 681 V (680 Ω) |
| R544 | 7030003420 | S.RESISTOR | ERJ3GEYJ 681 V (680 Ω) |
| R551 | 7030003540 | S.RESISTOR | ERJ3GEYJ 682 V (6.8 k Ω) |
| R552 | 7030003480 | S.RESISTOR | ERJ3GEYJ 222 V (2.2 k Ω) |
| R553 | 7030003520 | S.RESISTOR | ERJ3GEYJ 472 V (4.7 k Ω) |
| R554 | 7030003580 | S.RESISTOR | ERJ3GEYJ 153 V (15 k Ω) |
| R555 | 7030003440 | S.RESISTOR | ERJ3GEYJ 102 V (1 k Ω) |
| R556 | 7030003440 | S.RESISTOR | ERJ3GEYJ 102 V (1 k Ω) |
| R557 | 7030003440 | S.RESISTOR | ERJ3GEYJ 102 V (1 k Ω) |
| R558 | 7030003440 | S.RESISTOR | ERJ3GEYJ 102 V (1 k Ω) |
| R559 | 7030003440 | S.RESISTOR | ERJ3GEYJ 102 V (1 k Ω) |
| R560 | 7030003440 | S.RESISTOR | ERJ3GEYJ 102 V (1 k Ω) |
| R1001 | 7030003800 | S.RESISTOR | ERJ3GEYJ 105 V (1 M Ω) |
| R1002 | 7030003680 | S.RESISTOR | ERJ3GEYJ 104 V (100 k Ω) |
| R1003 | 7030003680 | S.RESISTOR | ERJ3GEYJ 104 V (100 k Ω) |
| R1004 | 7030003680 | S.RESISTOR | ERJ3GEYJ 104 V (100 k Ω) |
| R1005 | 7030003680 | S.RESISTOR | ERJ3GEYJ 104 V (100 k Ω) |
| R1006 | 7030003680 | S.RESISTOR | ERJ3GEYJ 104 V (100 k Ω) |
| R1007 | 7030003560 | S.RESISTOR | ERJ3GEYJ 103 V (10 k Ω) |
| R1008 | 7030003560 | S.RESISTOR | ERJ3GEYJ 103 V (10 k Ω) |
| R1009 | 7030003700 | S.RESISTOR | ERJ3GEYJ 154 V (150 k Ω) |
| R1012 | 7030003680 | S.RESISTOR | ERJ3GEYJ 104 V (100 k Ω) |
| R1013 | 7030003400 | S.RESISTOR | ERJ3GEYJ 471 V (470 Ω) |
| R1014 | 7030003700 | S.RESISTOR | ERJ3GEYJ 154 V (150 k Ω) |
| R1017 | 7030003680 | S.RESISTOR | ERJ3GEYJ 104 V (100 k Ω) |
| R1018 | 7030003400 | S.RESISTOR | ERJ3GEYJ 471 V (470 Ω) |
| R1019 | 7030003520 | S.RESISTOR | ERJ3GEYJ 472 V (4.7 k Ω) |
| R1020 | 7030003520 | S.RESISTOR | ERJ3GEYJ 472 V (4.7 k Ω) |
| R1021 | 7030003520 | S.RESISTOR | ERJ3GEYJ 472 V (4.7 k Ω) |
| R1022 | 7030003520 | S.RESISTOR | ERJ3GEYJ 472 V (4.7 k Ω) |
| R1023 | 7030003840 | S.RESISTOR | ERJ3GEYJ 225 V (2.2 M Ω) |
| R1024 | 7030003520 | S.RESISTOR | ERJ3GEYJ 472 V (4.7 k Ω) |
| R1025 | 7030003220 | S.RESISTOR | ERJ3GEYJ 150 V (15 Ω) |
| R1026 | 7030003520 | S.RESISTOR | ERJ3GEYJ 472 V (4.7 k Ω) |
| R1027 | 7030003220 | S.RESISTOR | ERJ3GEYJ 150 V (15 Ω) |
| R1028 | 7030003520 | S.RESISTOR | ERJ3GEYJ 472 V (4.7 k Ω) |
| R1029 | 7030003220 | S.RESISTOR | ERJ3GEYJ 150 V (15 Ω) |
| R1030 | 7030003520 | S.RESISTOR | ERJ3GEYJ 472 V (4.7 k Ω) |
| R1031 | 7030003220 | S.RESISTOR | ERJ3GEYJ 150 V (15 Ω) |
| R1032 | 7030003520 | S.RESISTOR | ERJ3GEYJ 472 V (4.7 k Ω) |
| R1033 | 7030003220 | S.RESISTOR | ERJ3GEYJ 150 V (15 Ω) |
| R1034 | 7030003520 | S.RESISTOR | ERJ3GEYJ 472 V (4.7 k Ω) |
| R1035 | 7030003220 | S.RESISTOR | ERJ3GEYJ 150 V (15 Ω) |
| R1036 | 7030003810 | S.RESISTOR | ERJ3GEYJ 125 V (1.2 M Ω) |
| R1037 | 7030003840 | S.RESISTOR | ERJ3GEYJ 225 V (2.2 M Ω) |

[DISPLAY BOARD]

| REF NO. | ORDER NO. | DESCRIPTION | |
|---------|------------|--------------|----------------------------------|
| R1038 | 7030003790 | S.RESISTOR | ERJ3GEYJ 824 V (820 k Ω) |
| R1039 | 7030003650 | S.RESISTOR | ERJ3GEYJ 563 V (56 k Ω) |
| R1040 | 7030003810 | S.RESISTOR | ERJ3GEYJ 125 V (1.2 M Ω) |
| R1041 | 7030003840 | S.RESISTOR | ERJ3GEYJ 225 V (2.2 M Ω) |
| R1042 | 7030003790 | S.RESISTOR | ERJ3GEYJ 824 V (820 k Ω) |
| R1043 | 7030003650 | S.RESISTOR | ERJ3GEYJ 563 V (56 k Ω) |
| R1044 | 7030003560 | S.RESISTOR | ERJ3GEYJ 103 V (10 k Ω) |
| R1045 | 7030003520 | S.RESISTOR | ERJ3GEYJ 472 V (4.7 k Ω) |
| R1046 | 7510000900 | S.THERMISTOR | NTCCF2012 3SH 223KC-T |
| R1047 | 7030003680 | S.RESISTOR | ERJ3GEYJ 104 V (100 k Ω) |
| R1048 | 7030003640 | S.RESISTOR | ERJ3GEYJ 473 V (47 k Ω) |
| R1049 | 7030003720 | S.RESISTOR | ERJ3GEYJ 224 V (220 k Ω) |
| R1050 | 7030003640 | S.RESISTOR | ERJ3GEYJ 473 V (47 k Ω) |
| R1051 | 7030003440 | S.RESISTOR | ERJ3GEYJ 102 V (1 k Ω) |
| R1052 | 7030003440 | S.RESISTOR | ERJ3GEYJ 102 V (1 k Ω) |
| R1054 | 7030003680 | S.RESISTOR | ERJ3GEYJ 104 V (100 k Ω) |
| R1055 | 7030003680 | S.RESISTOR | ERJ3GEYJ 104 V (100 k Ω) |
| R1056 | 7030003680 | S.RESISTOR | ERJ3GEYJ 104 V (100 k Ω) |
| R1057 | 7030003680 | S.RESISTOR | ERJ3GEYJ 104 V (100 k Ω) |
| R1058 | 7030003680 | S.RESISTOR | ERJ3GEYJ 104 V (100 k Ω) |
| R1101 | 7030003440 | S.RESISTOR | ERJ3GEYJ 102 V (1 k Ω) |
| R1102 | 7030003440 | S.RESISTOR | ERJ3GEYJ 102 V (1 k Ω) |
| R1103 | 7030003440 | S.RESISTOR | ERJ3GEYJ 102 V (1 k Ω) |
| R1104 | 7030003440 | S.RESISTOR | ERJ3GEYJ 102 V (1 k Ω) |
| R1105 | 7030003440 | S.RESISTOR | ERJ3GEYJ 102 V (1 k Ω) |
| R1106 | 7030003440 | S.RESISTOR | ERJ3GEYJ 102 V (1 k Ω) |
| R1107 | 7030003440 | S.RESISTOR | ERJ3GEYJ 102 V (1 k Ω) |
| R1108 | 7030003440 | S.RESISTOR | ERJ3GEYJ 102 V (1 k Ω) |
| R1109 | 7030003440 | S.RESISTOR | ERJ3GEYJ 102 V (1 k Ω) |
| R1110 | 7030003440 | S.RESISTOR | ERJ3GEYJ 102 V (1 k Ω) |
| R1111 | 7030003440 | S.RESISTOR | ERJ3GEYJ 102 V (1 k Ω) |
| R1112 | 7030003440 | S.RESISTOR | ERJ3GEYJ 102 V (1 k Ω) |
| R1113 | 7030003440 | S.RESISTOR | ERJ3GEYJ 102 V (1 k Ω) |
| R1114 | 7030003440 | S.RESISTOR | ERJ3GEYJ 102 V (1 k Ω) |
| R1115 | 7030003440 | S.RESISTOR | ERJ3GEYJ 102 V (1 k Ω) |
| R1116 | 7030003640 | S.RESISTOR | ERJ3GEYJ 473 V (47 k Ω) |
| R1117 | 7030003640 | S.RESISTOR | ERJ3GEYJ 473 V (47 k Ω) |
| R1118 | 7030003480 | S.RESISTOR | ERJ3GEYJ 222 V (2.2 k Ω) |
| R1119 | 7030003440 | S.RESISTOR | ERJ3GEYJ 102 V (1 k Ω) |
| R1120 | 7030003440 | S.RESISTOR | ERJ3GEYJ 102 V (1 k Ω) |
| R1121 | 7030003440 | S.RESISTOR | ERJ3GEYJ 102 V (1 k Ω) |
| R1131 | 7030003440 | S.RESISTOR | ERJ3GEYJ 102 V (1 k Ω) |
| R1132 | 7030003680 | S.RESISTOR | ERJ3GEYJ 104 V (100 k Ω) |
| R1133 | 7030003440 | S.RESISTOR | ERJ3GEYJ 102 V (1 k Ω) |
| R1134 | 7030003440 | S.RESISTOR | ERJ3GEYJ 102 V (1 k Ω) |
| R1135 | 7030003440 | S.RESISTOR | ERJ3GEYJ 102 V (1 k Ω) |
| R1136 | 7030003640 | S.RESISTOR | ERJ3GEYJ 473 V (47 k Ω) |
| R1137 | 7030003440 | S.RESISTOR | ERJ3GEYJ 102 V (1 k Ω) |
| R1138 | 7030003640 | S.RESISTOR | ERJ3GEYJ 473 V (47 k Ω) |
| R1201 | 7030003440 | S.RESISTOR | ERJ3GEYJ 102 V (1 k Ω) |
| R1202 | 7030003440 | S.RESISTOR | ERJ3GEYJ 102 V (1 k Ω) |
| R1203 | 7030003440 | S.RESISTOR | ERJ3GEYJ 102 V (1 k Ω) |
| R1204 | 7030003440 | S.RESISTOR | ERJ3GEYJ 102 V (1 k Ω) |
| R1205 | 7030003440 | S.RESISTOR | ERJ3GEYJ 102 V (1 k Ω) |
| R1206 | 7030003440 | S.RESISTOR | ERJ3GEYJ 102 V (1 k Ω) |
| R1207 | 7030003440 | S.RESISTOR | ERJ3GEYJ 102 V (1 k Ω) |
| R1208 | 7030003440 | S.RESISTOR | ERJ3GEYJ 102 V (1 k Ω) |
| C531 | 4030006880 | S.CERAMIC | C1608 JB 1H 472K-T-A |
| C532 | 4030006880 | S.CERAMIC | C1608 JB 1H 472K-T-A |
| C533 | 4030006880 | S.CERAMIC | C1608 JB 1H 472K-T-A |
| C534 | 4030006880 | S.CERAMIC | C1608 JB 1H 472K-T-A |
| C535 | 4030006880 | S.CERAMIC | C1608 JB 1H 472K-T-A |
| C536 | 4030006880 | S.CERAMIC | C1608 JB 1H 472K-T-A |
| C537 | 4030006880 | S.CERAMIC | C1608 JB 1H 472K-T-A |
| C538 | 4030006880 | S.CERAMIC | C1608 JB 1H 472K-T-A |
| C539 | 4030006880 | S.CERAMIC | C1608 JB 1H 472K-T-A |
| C540 | 4030006880 | S.CERAMIC | C1608 JB 1H 472K-T-A |
| C541 | 4030006880 | S.CERAMIC | C1608 JB 1H 472K-T-A |
| C542 | 4030006880 | S.CERAMIC | C1608 JB 1H 472K-T-A |
| C543 | 4030006880 | S.CERAMIC | C1608 JB 1H 472K-T-A |
| C544 | 4030006880 | S.CERAMIC | C1608 JB 1H 472K-T-A |
| C551 | 4030011600 | S.CERAMIC | C1608 JB 1C 104KT-N |
| C552 | 4030006880 | S.CERAMIC | C1608 JB 1H 472K-T-A |
| C553 | 4030006880 | S.CERAMIC | C1608 JB 1H 472K-T-A |
| C554 | 4030006880 | S.CERAMIC | C1608 JB 1H 472K-T-A |
| C555 | 4030006880 | S.CERAMIC | C1608 JB 1H 472K-T-A |
| C556 | 4030006880 | S.CERAMIC | C1608 JB 1H 472K-T-A |
| C557 | 4030006880 | S.CERAMIC | C1608 JB 1H 472K-T-A |
| C1001 | 4030011600 | S.CERAMIC | C1608 JB 1C 104KT-N |
| C1002 | 4030007020 | S.CERAMIC | C1608 CH 1H 120J-T-A |

S.=Surface mount

[DISPLAY BOARD]

| REF NO. | ORDER NO. | DESCRIPTION | |
|---------|------------|----------------|-------------------------|
| C1003 | 4030007020 | S.CERAMIC | C1608 CH 1H 120J-T-A |
| C1004 | 4030011600 | S.CERAMIC | C1608 JB 1C 104KT-N |
| C1005 | 4030011600 | S.CERAMIC | C1608 JB 1C 104KT-N |
| C1006 | 4030011600 | S.CERAMIC | C1608 JB 1C 104KT-N |
| C1007 | 4030011600 | S.CERAMIC | C1608 JB 1C 104KT-N |
| C1008 | 4030011600 | S.CERAMIC | C1608 JB 1C 104KT-N |
| C1009 | 4510004630 | S.ELECTROLYTIC | ECEV1CA100SR |
| C1010 | 4510004630 | S.ELECTROLYTIC | ECEV1CA100SR |
| C1011 | 4030011600 | S.CERAMIC | C1608 JB 1C 104KT-N |
| C1012 | 4030011600 | S.CERAMIC | C1608 JB 1C 104KT-N |
| C1013 | 4030011600 | S.CERAMIC | C1608 JB 1C 104KT-N |
| C1014 | 4030011600 | S.CERAMIC | C1608 JB 1C 104KT-N |
| C1015 | 4550006250 | S.TANTALUM | TEMSVA 1A 106M-8L |
| C1016 | 4030011600 | S.CERAMIC | C1608 JB 1C 104KT-N |
| C1101 | 4030006880 | S.CERAMIC | C1608 JB 1H 472K-T-A |
| C1201 | 4030006880 | S.CERAMIC | C1608 JB 1H 472K-T-A |
| C1202 | 4030006880 | S.CERAMIC | C1608 JB 1H 472K-T-A |
| C1203 | 4030006880 | S.CERAMIC | C1608 JB 1H 472K-T-A |
| C1204 | 4030006880 | S.CERAMIC | C1608 JB 1H 472K-T-A |
| C1205 | 4030006880 | S.CERAMIC | C1608 JB 1H 472K-T-A |
| C1206 | 4030006880 | S.CERAMIC | C1608 JB 1H 472K-T-A |
| C1207 | 4030006880 | S.CERAMIC | C1608 JB 1H 472K-T-A |
| C1208 | 4030006880 | S.CERAMIC | C1608 JB 1H 472K-T-A |
| DS1001 | 5030001600 | LCD | DLC-7997S2GT |
| DS1002 | 5080000420 | CFL | HMB S 3 A1W 70N/AZ ASSY |
| J503 | 6510019990 | S.CONNECTOR | 52808-2290 |
| J505 | 6510019990 | S.CONNECTOR | 52808-2290 |
| J1001 | 6510019990 | S.CONNECTOR | 52808-2290 |
| J1002 | 6510019990 | S.CONNECTOR | 52808-2290 |
| W1002 | 7030003860 | S.JUMPER | ERJ3GE JPW V |
| W1009 | 7030003860 | S.JUMPER | ERJ3GE JPW V |
| EP1 | 8930046360 | LCD CONTACT | SRCN-2072-SP-N-W |
| EP2 | 0910049913 | PCB | B 5099C |

[PHONE BOARD]

| REF NO. | ORDER NO. | DESCRIPTION | |
|---------|------------|-------------|-----------------------|
| L1 | 6200003950 | S.COIL | HF50ACC 322513-T |
| L2 | 6200003950 | S.COIL | HF50ACC 322513-T |
| R1 | 7030006070 | S.RESISTOR | ERJ12YJ101H (100 Ω) |
| R2 | 7030006070 | S.RESISTOR | ERJ12YJ101H (100 Ω) |
| R3 | 7030003440 | S.RESISTOR | ERJ3GEYJ 102 V (1 kΩ) |
| C1 | 4030006880 | S.CERAMIC | C1608 JB 1H 472K-T-A |
| C2 | 4030006880 | S.CERAMIC | C1608 JB 1H 472K-T-A |
| C3 | 4030006880 | S.CERAMIC | C1608 JB 1H 472K-T-A |
| C4 | 4030006880 | S.CERAMIC | C1608 JB 1H 472K-T-A |
| C5 | 4030006880 | S.CERAMIC | C1608 JB 1H 472K-T-A |
| J1 | 6450001890 | CONNECTOR | HLJ5305-01-4090 |
| J2 | 6450001790 | CONNECTOR | HLJ7000-01-3010 |
| J3 | 6510019970 | S.CONNECTOR | 52808-1090 |
| EP1 | 0910049353 | PCB | B 5075C |

[MIC BOARD]

| REF NO. | ORDER NO. | DESCRIPTION | |
|---------|------------|-------------|----------------------|
| L1 | 6200003260 | S.COIL | NL 322522T-101J |
| L3 | 6200003260 | S.COIL | NL 322522T-101J |
| L4 | 6200003260 | S.COIL | NL 322522T-101J |
| L6 | 6200003260 | S.COIL | NL 322522T-101J |
| C1 | 4030006880 | S.CERAMIC | C1608 JB 1H 472K-T-A |
| C2 | 4030006880 | S.CERAMIC | C1608 JB 1H 472K-T-A |
| C3 | 4030006880 | S.CERAMIC | C1608 JB 1H 472K-T-A |
| C4 | 4030006880 | S.CERAMIC | C1608 JB 1H 472K-T-A |
| C5 | 4030006880 | S.CERAMIC | C1608 JB 1H 472K-T-A |
| C6 | 4030006880 | S.CERAMIC | C1608 JB 1H 472K-T-A |
| C7 | 4030007130 | S.CERAMIC | C1608 CH 1H 101J-T-A |
| J1 | 6510000190 | CONNECTOR | FM214-8SS(P) |
| J2 | 6510019970 | S.CONNECTOR | 52808-1090 |
| EP1 | 0910049362 | PCB | B 5076B |

[TENKEY BOARD]

| REF NO. | ORDER NO. | DESCRIPTION | |
|---------|------------|-------------|-------------------------|
| R1 | 7030003540 | S.RESISTOR | ERJ3GEYJ 682 V (6.8 kΩ) |
| R2 | 7030003540 | S.RESISTOR | ERJ3GEYJ 682 V (6.8 kΩ) |
| R3 | 7030003540 | S.RESISTOR | ERJ3GEYJ 682 V (6.8 kΩ) |
| R4 | 7030003480 | S.RESISTOR | ERJ3GEYJ 222 V (2.2 kΩ) |
| R5 | 7030003480 | S.RESISTOR | ERJ3GEYJ 222 V (2.2 kΩ) |
| R6 | 7030003480 | S.RESISTOR | ERJ3GEYJ 222 V (2.2 kΩ) |
| R7 | 7030003520 | S.RESISTOR | ERJ3GEYJ 472 V (4.7 kΩ) |
| R8 | 7030003520 | S.RESISTOR | ERJ3GEYJ 472 V (4.7 kΩ) |
| R9 | 7030003520 | S.RESISTOR | ERJ3GEYJ 472 V (4.7 kΩ) |
| R10 | 7030003580 | S.RESISTOR | ERJ3GEYJ 153 V (15 kΩ) |
| R11 | 7030003580 | S.RESISTOR | ERJ3GEYJ 153 V (15 kΩ) |
| R12 | 7030003580 | S.RESISTOR | ERJ3GEYJ 153 V (15 kΩ) |
| R15 | 7030003540 | S.RESISTOR | ERJ3GEYJ 682 V (6.8 kΩ) |
| R16 | 7030003480 | S.RESISTOR | ERJ3GEYJ 222 V (2.2 kΩ) |
| R17 | 7030003520 | S.RESISTOR | ERJ3GEYJ 472 V (4.7 kΩ) |
| R18 | 7030003580 | S.RESISTOR | ERJ3GEYJ 153 V (15 kΩ) |
| R19 | 7030003540 | S.RESISTOR | ERJ3GEYJ 682 V (6.8 kΩ) |
| R20 | 7030003480 | S.RESISTOR | ERJ3GEYJ 222 V (2.2 kΩ) |
| R21 | 7030003520 | S.RESISTOR | ERJ3GEYJ 472 V (4.7 kΩ) |
| R22 | 7030003580 | S.RESISTOR | ERJ3GEYJ 153 V (15 kΩ) |
| R23 | 7030003540 | S.RESISTOR | ERJ3GEYJ 682 V (6.8 kΩ) |
| R24 | 7030003480 | S.RESISTOR | ERJ3GEYJ 222 V (2.2 kΩ) |
| R25 | 7030003520 | S.RESISTOR | ERJ3GEYJ 472 V (4.7 kΩ) |
| C1 | 4030011600 | S.CERAMIC | C1608 JB 1C 104KT-N |
| C2 | 4030011600 | S.CERAMIC | C1608 JB 1C 104KT-N |
| C3 | 4030011600 | S.CERAMIC | C1608 JB 1C 104KT-N |
| C4 | 4030011600 | S.CERAMIC | C1608 JB 1C 104KT-N |
| C5 | 4030011600 | S.CERAMIC | C1608 JB 1C 104KT-N |
| C7 | 4030011600 | S.CERAMIC | C1608 JB 1C 104KT-N |
| DS1 | 5040002360 | S.LED | CL-220HR-C-TU |
| DS2 | 5040002220 | S.LED | CL-220YG-C-TU |
| DS3 | 5040002360 | S.LED | CL-220HR-C-TU |
| DS4 | 5040002220 | S.LED | CL-220YG-C-TU |
| DS5 | 5040002220 | S.LED | CL-220YG-C-TU |
| J1 | 6510019990 | S.CONNECTOR | 52808-2290 |
| EP1 | 0910049383 | PCB | B 5078C |

S.=Surface mount

[MODE BOARD]

| REF NO. | ORDER NO. | DESCRIPTION |
|---------|------------|------------------------|
| J1 | 6510019990 | S.CONNECTOR 52808-2290 |
| EP1 | 0910049373 | PCB B 5077C |

[PBT BOARD]

| REF NO. | ORDER NO. | DESCRIPTION |
|---------|------------|----------------------------------|
| R1 | 7210002960 | VARIABLE RV-313 |
| R2 | 7030003440 | S.RESISTOR ERJ3GEYJ 102 V (1 kΩ) |
| R3 | 7030003440 | S.RESISTOR ERJ3GEYJ 102 V (1 kΩ) |
| C1 | 4030006880 | S.CERAMIC C1608 JB 1H 472K-T-A |
| C2 | 4030006880 | S.CERAMIC C1608 JB 1H 472K-T-A |
| S1 | 2260002430 | SWITCH SW-165 |
| J1 | 6510019970 | S.CONNECTOR 52808-1090 |
| EP1 | 0910049392 | PCB B 5079B |

[RIT BOARD]

| REF NO. | ORDER NO. | DESCRIPTION |
|---------|------------|------------------------|
| S1 | 2250000340 | ENCODER EVQ-VCJF0324B |
| J1 | 6510019970 | S.CONNECTOR 52808-1090 |
| EP1 | 0910049402 | PCB B 5080B |

[FRONT UNIT]

| REF NO. | ORDER NO. | DESCRIPTION |
|---------|------------|-----------------------------|
| W19 | 8900007010 | CABLE OPC-685 |
| W20 | 8900007020 | CABLE OPC-686 |
| W21 | 8900007010 | CABLE OPC-685 |
| W22 | 8900007010 | CABLE OPC-685 |
| W24 | 8900006980 | CABLE OPC-682 |
| W25 | 8900006980 | CABLE OPC-682 |
| W26 | 8900006980 | CABLE OPC-682 |
| W27 | 8900006980 | CABLE OPC-682 |
| EP1 | 6910011090 | SENSOR UNIT RMS20-250-201-P |
| EP2 | 6450001230 | E.OTHER HLJ0999-01-480 |
| EP3 | 6450001230 | E.OTHER HLJ0999-01-480 |

[MAIN UNIT]

| REF NO. | ORDER NO. | DESCRIPTION |
|---------|------------|-----------------------------|
| CP621 | 6910009670 | S.CHECK P HK3-S-T |
| CP681 | 6910009670 | S.CHECK P HK3-S-T |
| CP861 | 6910009670 | S.CHECK P HK3-S-T |
| CP891 | 6910009670 | S.CHECK P HK3-S-T |
| CP981 | 6910009670 | S.CHECK P HK3-S-T |
| IC631 | 1110002600 | S.IC MC1496 D |
| IC661 | 1110002600 | S.IC MC1496 D |
| IC771 | 1110003200 | S.IC TA31136FN(EL) |
| IC791 | 1110002600 | S.IC MC1496 D |
| IC861 | 1110003140 | IC LA1150N |
| IC891 | 1130007660 | S.IC LC7153M-TLM |
| IC931 | 1110003870 | S.IC NJM2058M-T1 |
| IC971 | 1110003870 | S.IC NJM2058M-T1 |
| IC1041 | 1130007820 | S.IC BU4052BCF-T1 |
| IC1061 | 1110003300 | S.IC M5282FP 70CD |
| IC1062 | 1130006220 | S.IC TC4W53FU (TE12L) |
| IC1081 | 1130007820 | S.IC BU4052BCF-T1 |
| IC1082 | 1110003300 | S.IC M5282FP 70CD |
| IC1101 | 1110003090 | IC LA4425A |
| IC1121 | 1140005280 | S.IC μPC5023GS-077-E1 |
| IC1161 | 1110002490 | S.IC M5218FP-73A |
| IC1191 | 1130007820 | S.IC BU4052BCF-T1 |
| IC1201 | 1110002490 | S.IC M5218FP-73A |
| IC1331 | 1130006220 | S.IC TC4W53FU (TE12L) |
| IC1501 | 1130005230 | S.IC TC74HC04AF |
| IC1502 | 1130008360 | S.IC TC7SHU04FU (TE85L) |
| IC1503 | 1130004850 | S.IC TC74HC4040AF |
| IC1504 | 1130005120 | S.IC TC74HC74AF (TP1) |
| IC1505 | 1130006440 | S.IC TC7S08F (TE85R) |
| IC1506 | 1130007700 | S.IC BU4094BCF-T1 |
| IC1507 | 1130007700 | S.IC BU4094BCF-T1 |
| IC1521 | 1140007050 | S.IC SC-1363 |
| IC1531 | 1190000550 | S.IC LC7886M-TRM |
| IC1542 | 1110004770 | S.IC BU9480F-E2 |
| IC1551 | 1110003870 | S.IC NJM2058M-T1 |
| IC1571 | 1110003870 | S.IC NJM2058M-T1 |
| IC1701 | 1110003690 | S.IC M62354GP 75EC |
| IC1702 | 1130007820 | S.IC BU4052BCF-T1 |
| IC1703 | 1130005720 | S.IC TC7W04F (TE12L) |
| IC1704 | 1140007360 | S.IC HD6433042SB24F |
| IC1705 | 1140005880 | S.IC X25320S8I-2.7T6 |
| IC1706 | 1110001550 | S.IC S-8054ALB-LM-T1 |
| IC1707 | 1110002490 | S.IC M5218FP-73A |
| IC1708 | 1130007700 | S.IC BU4094BCF-T1 |
| IC1709 | 1160000130 | S.IC TD62783AF (TP1) |
| Q521 | 1580000620 | S.FET 3SK131-T2 MAS |
| Q541 | 1560000560 | S.FET 2SK882-GR (TE85L) |
| Q542 | 1590002310 | S.TRANSISTOR DTC114EE TL |
| Q543 | 1590002310 | S.TRANSISTOR DTC114EE TL |
| Q631 | 1530002060 | S.TRANSISTOR 2SC4081 T107 R |
| Q651 | 1560000560 | S.FET 2SK882-GR (TE85L) |
| Q681 | 1590002310 | S.TRANSISTOR DTC114EE TL |
| Q682 | 1590002310 | S.TRANSISTOR DTC114EE TL |
| Q751 | 1580000620 | S.FET 3SK131-T2 MAS |
| Q761 | 1580000620 | S.FET 3SK131-T2 MAS |
| Q762 | 1530002060 | S.TRANSISTOR 2SC4081 T107 R |
| Q771 | 1560000560 | S.FET 2SK882-GR (TE85L) |
| Q811 | 1530002060 | S.TRANSISTOR 2SC4081 T107 R |
| Q831 | 1530002060 | S.TRANSISTOR 2SC4081 T107 R |
| Q841 | 1530002060 | S.TRANSISTOR 2SC4081 T107 R |
| Q842 | 1590002310 | S.TRANSISTOR DTC114EE TL |
| Q843 | 1590001870 | S.TRANSISTOR DTA114EE TL |
| Q844 | 1590001870 | S.TRANSISTOR DTA114EE TL |
| Q845 | 1590002310 | S.TRANSISTOR DTC114EE TL |
| Q846 | 1590001870 | S.TRANSISTOR DTA114EE TL |
| Q847 | 1590002310 | S.TRANSISTOR DTC114EE TL |
| Q848 | 1590001870 | S.TRANSISTOR DTA114EE TL |
| Q849 | 1590002310 | S.TRANSISTOR DTC114EE TL |
| Q861 | 1560000560 | S.FET 2SK882-GR (TE85L) |
| Q862 | 1510000510 | S.TRANSISTOR 2SA1576A T106R |
| Q863 | 1530002060 | S.TRANSISTOR 2SC4081 T107 R |
| Q864 | 1530002060 | S.TRANSISTOR 2SC4081 T107 R |
| Q865 | 1530002060 | S.TRANSISTOR 2SC4081 T107 R |
| Q866 | 1590002310 | S.TRANSISTOR DTC114EE TL |
| Q867 | 1590002310 | S.TRANSISTOR DTC114EE TL |
| Q868 | 1590001870 | S.TRANSISTOR DTA114EE TL |
| Q891 | 1560000330 | S.FET 2SK210-GR (TE85R) |
| Q892 | 1530002060 | S.TRANSISTOR 2SC4081 T107 R |

S.=Surface mount

[MAIN UNIT]

| REF NO. | ORDER NO. | DESCRIPTION |
|---------|------------|-----------------------------|
| Q893 | 1590001870 | S.TRANSISTOR DTA114EE TL |
| Q894 | 1590002310 | S.TRANSISTOR DTC114EE TL |
| Q981 | 1590002310 | S.TRANSISTOR DTC114EE TL |
| Q982 | 1590002310 | S.TRANSISTOR DTC114EE TL |
| Q983 | 1590002310 | S.TRANSISTOR DTC114EE TL |
| Q984 | 1590002310 | S.TRANSISTOR DTC114EE TL |
| Q985 | 1590002310 | S.TRANSISTOR DTC114EE TL |
| Q986 | 1510000510 | S.TRANSISTOR 2SA1576A T106R |
| Q1101 | 1540000470 | S.TRANSISTOR 2SD1801S-TL |
| Q1111 | 1590002310 | S.TRANSISTOR DTC114EE TL |
| Q1121 | 1530002060 | S.TRANSISTOR 2SC4081 T107 R |
| Q1161 | 1530002060 | S.TRANSISTOR 2SC4081 T107 R |
| Q1162 | 1530002060 | S.TRANSISTOR 2SC4081 T107 R |
| Q1221 | 1540000440 | S.TRANSISTOR 2SD1619-T-TD |
| Q1222 | 1530002060 | S.TRANSISTOR 2SC4081 T107 R |
| Q1231 | 1540000440 | S.TRANSISTOR 2SD1619-T-TD |
| Q1232 | 1530002060 | S.TRANSISTOR 2SC4081 T107 R |
| Q1271 | 1590002310 | S.TRANSISTOR DTC114EE TL |
| Q1281 | 1530002060 | S.TRANSISTOR 2SC4081 T107 R |
| Q1291 | 1590002310 | S.TRANSISTOR DTC114EE TL |
| Q1301 | 1590001870 | S.TRANSISTOR DTA114EE TL |
| Q1302 | 1540000440 | S.TRANSISTOR 2SD1619-T-TD |
| Q1701 | 1510000510 | S.TRANSISTOR 2SA1576A T106R |
| Q1702 | 1530002060 | S.TRANSISTOR 2SC4081 T107 R |
| Q1703 | 1530002060 | S.TRANSISTOR 2SC4081 T107 R |
| Q1704 | 1590002310 | S.TRANSISTOR DTC114EE TL |
| Q1705 | 1590002310 | S.TRANSISTOR DTC114EE TL |
| | | |
| D501 | 1790000450 | S.DIODE MA862(TX) |
| D511 | 1790000450 | S.DIODE MA862(TX) |
| D512 | 1790000450 | S.DIODE MA862(TX) |
| D531 | 1790000450 | S.DIODE MA862(TX) |
| D541 | 1750000520 | S.DIODE DAN222TL |
| D542 | 1750000520 | S.DIODE DAN222TL |
| D571 | 1790000450 | S.DIODE MA862(TX) |
| D572 | 1790000450 | S.DIODE MA862(TX) |
| D581 | 1790000450 | S.DIODE MA862(TX) |
| D582 | 1790000450 | S.DIODE MA862(TX) |
| D591 | 1790000450 | S.DIODE MA862(TX) |
| D592 | 1790000450 | S.DIODE MA862(TX) |
| D601 | 1790000450 | S.DIODE MA862(TX) |
| D602 | 1790000450 | S.DIODE MA862(TX) |
| D621 | 1790000450 | S.DIODE MA862(TX) |
| D651 | 1790000620 | S.DIODE MA77(TX) |
| D681 | 1750000520 | S.DIODE DAN222TL |
| D682 | 1750000520 | S.DIODE DAN222TL |
| D683 | 1790000450 | S.DIODE MA862(TX) |
| D684 | 1750000370 | S.DIODE DA221 TL |
| D685 | 1790000450 | S.DIODE MA862(TX) |
| D701 | 1790000620 | S.DIODE MA77(TX) |
| D702 | 1790000620 | S.DIODE MA77(TX) |
| D711 | 1790000620 | S.DIODE MA77(TX) |
| D712 | 1790000620 | S.DIODE MA77(TX) |
| D721 | 1790000620 | S.DIODE MA77(TX) |
| D722 | 1790000620 | S.DIODE MA77(TX) |
| D731 | 1790000620 | S.DIODE MA77(TX) |
| D732 | 1790000620 | S.DIODE MA77(TX) |
| D821 | 1790000490 | S.DIODE HSM88AS-TR |
| D841 | 1790000490 | S.DIODE HSM88AS-TR |
| D842 | 1790000490 | S.DIODE HSM88AS-TR |
| D861 | 1790000490 | S.DIODE HSM88AS-TR |
| D862 | 1750000520 | S.DIODE DAN222TL |
| D891 | 1720000590 | S.VARICAP MA357(TX) |
| D892 | 1790000490 | S.DIODE HSM88AS-TR |
| D893 | 1790000490 | S.DIODE HSM88AS-TR |
| D952 | 1750000200 | S.DIODE 1SS319 (TE85R) |
| D961 | 1750000200 | S.DIODE 1SS319 (TE85R) |
| D962 | 1750000200 | S.DIODE 1SS319 (TE85R) |
| D981 | 1730000770 | S.ZENER RD7.5M-T1B1 |
| D982 | 1750000520 | S.DIODE DAN222TL |
| D983 | 1750000520 | S.DIODE DAN222TL |
| D984 | 1790001610 | S.DIODE 1SS385 (TE85L) |
| D985 | 1790001610 | S.DIODE 1SS385 (TE85L) |
| D1011 | 1750000520 | S.DIODE DAN222TL |
| D1012 | 1750000520 | S.DIODE DAN222TL |
| D1021 | 1750000520 | S.DIODE DAN222TL |
| D1022 | 1750000520 | S.DIODE DAN222TL |
| D1111 | 1750000520 | S.DIODE DAN222TL |
| D1123 | 1750000370 | S.DIODE DA221 TL |
| D1124 | 1750000370 | S.DIODE DA221 TL |
| D1221 | 1750000370 | S.DIODE DA221 TL |

[MAIN UNIT]

| REF NO. | ORDER NO. | DESCRIPTION |
|---------|------------|--------------------------------------|
| D1231 | 1750000370 | S.DIODE DA221 TL |
| D1271 | 1750000520 | S.DIODE DAN222TL |
| D1281 | 1750000520 | S.DIODE DAN222TL |
| D1291 | 1750000520 | S.DIODE DAN222TL |
| D1301 | 1790001250 | S.DIODE MA2S111-(TX) |
| D1302 | 1790001250 | S.DIODE MA2S111-(TX) |
| D1701 | 1790001250 | S.DIODE MA2S111-(TX) |
| D1702 | 1790001250 | S.DIODE MA2S111-(TX) |
| D1703 | 1790001250 | S.DIODE MA2S111-(TX) |
| D1704 | 1790001250 | S.DIODE MA2S111-(TX) |
| D1705 | 1730000030 | S.ZENER RD5.6M-T2B2 |
| D1706 | 1790001250 | S.DIODE MA2S111-(TX) |
| D1709 | 1790001250 | S.DIODE MA2S111-(TX) |
| D1711 | 1790001250 | S.DIODE MA2S111-(TX) |
| D1712 | 1790001250 | S.DIODE MA2S111-(TX) |
| D1713 | 1790001250 | S.DIODE MA2S111-(TX) |
| D1714 | 1790001250 | S.DIODE MA2S111-(TX) |
| D1715 | 1790001250 | S.DIODE MA2S111-(TX) |
| D1716 | 1790001250 | S.DIODE MA2S111-(TX) |
| D1717 | 1790001250 | S.DIODE MA2S111-(TX) |
| D1718 | 1790001250 | S.DIODE MA2S111-(TX) |
| D1719 | 1790001250 | S.DIODE MA2S111-(TX) |
| D1720 | 1750000370 | S.DIODE DA221 TL |
| D1722 | 1750000370 | S.DIODE DA221 TL |
| D1731 | 1790001250 | S.DIODE MA2S111-(TX) |
| D1732 | 1790000490 | S.DIODE HSM88AS-TR |
| D1734 | 1730002270 | S.ZENER MA8024(TX) |
| D1790 | 1730000910 | S.ZENER RD12M-T2B2 |
| | | |
| FI511 | 2010000270 | FILTER 9M15A (FL-23) |
| FI571 | 2010002130 | D.FILTER 9M22D4 (FL-272: 9.0115 MHz) |
| FI701 | 2020000210 | CERAMIC CFJ455K5 (FL-65) |
| FI711 | 2020001000 | S.CERAMIC SFPC455G-TC01 |
| FI721 | 2020001050 | S.CERAMIC SFPC455E-TC01 |
| | | |
| X771 | 6070000150 | S.DISCRIMINATOR CDBC455CX24-TC |
| X1501 | 6050009950 | S.CRYSTAL CR-570 (16.000 MHz) |
| X1502 | 6050009880 | S.CRYSTAL CR-568 (40.000 MHz) |
| X1701 | 6050009860 | S.CRYSTAL CR-566 (12.288 MHz) |
| | | |
| L511 | 6150000711 | COIL LS-452 |
| L512 | 6150000711 | COIL LS-452 |
| L513 | 6150000711 | COIL LS-452 |
| L521 | 6200001830 | S.COIL NL 322522T-100J |
| L541 | 6150000711 | COIL LS-452 |
| L632 | 6200003260 | S.COIL NL 322522T-101J |
| L633 | 6200003260 | S.COIL NL 322522T-101J |
| L651 | 6200001830 | S.COIL NL 322522T-100J |
| L661 | 6200003260 | S.COIL NL 322522T-101J |
| L662 | 6200003260 | S.COIL NL 322522T-101J |
| L663 | 6200001710 | S.COIL NL 322522T-220J |
| L664 | 6200001710 | S.COIL NL 322522T-220J |
| L665 | 6200003260 | S.COIL NL 322522T-101J |
| L681 | 6200003260 | S.COIL NL 322522T-101J |
| L751 | 6150002291 | COIL LS-450 |
| L752 | 6150002291 | COIL LS-450 |
| L761 | 6150002291 | COIL LS-450 |
| L771 | 6200003260 | S.COIL NL 322522T-101J |
| L791 | 6200003260 | S.COIL NL 322522T-101J |
| L792 | 6200003260 | S.COIL NL 322522T-101J |
| L861 | 6150004050 | COIL LS-466 |
| L862 | 6150004050 | COIL LS-466 |
| L863 | 6200003260 | S.COIL NL 322522T-101J |
| L891 | 6200003260 | S.COIL NL 322522T-101J |
| L892 | 6200002990 | S.COIL NL 322522T-2R2J-3 |
| L893 | 6200001830 | S.COIL NL 322522T-100J |
| L894 | 6200003260 | S.COIL NL 322522T-101J |
| L1121 | 6200001830 | S.COIL NL 322522T-100J |
| L1241 | 6200003240 | S.COIL NL 322522T-221J |
| L1242 | 6200003240 | S.COIL NL 322522T-221J |
| L1243 | 6910003570 | COIL 2943-666663 |
| L1244 | 6910003570 | COIL 2943-666663 |
| L1311 | 6200003950 | S.COIL HF50ACC 322513-T |
| L1312 | 6200003260 | S.COIL NL 322522T-101J |
| L1313 | 6200003260 | S.COIL NL 322522T-101J |
| L1314 | 6200003260 | S.COIL NL 322522T-101J |
| L1315 | 6200003950 | S.COIL HF50ACC 322513-T |
| L1316 | 6200003260 | S.COIL NL 322522T-101J |
| L1317 | 6200003260 | S.COIL NL 322522T-101J |

[USA] only
except [FRA]
[FRA], [DEN]
except [EUR]
[USA], [EUR]
[FRA] only
except [USA]
except [USA]

S.=Surface mount

[MAIN UNIT]

| REF NO. | ORDER NO. | | DESCRIPTION |
|---------|------------|--------------|-------------------------|
| L1318 | 6200003950 | S.COIL | HF50ACC 322513-T |
| L1319 | 6200003260 | S.COIL | NL 322522T-101J |
| L1320 | 6200003260 | S.COIL | NL 322522T-101J |
| L1321 | 6200001830 | S.COIL | NL 322522T-100J |
| L1322 | 2040000490 | COIL | EXC-ELDR25C |
| L1323 | 2040000490 | COIL | EXC-ELDR25C |
| L1324 | 6200001830 | S.COIL | NL 322522T-100J |
| L1325 | 6200001830 | S.COIL | NL 322522T-100J |
| L1326 | 6200001830 | S.COIL | NL 322522T-100J |
| L1327 | 6200001830 | S.COIL | NL 322522T-100J |
| L1328 | 6200003950 | S.COIL | HF50ACC 322513-T |
| L1329 | 6200003950 | S.COIL | HF50ACC 322513-T |
| L1330 | 6200003950 | S.COIL | HF50ACC 322513-T |
| L1331 | 6200003950 | S.COIL | HF50ACC 322513-T |
| L1332 | 2040000490 | COIL | EXC-ELDR25C |
| L1333 | 6200003950 | S.COIL | HF50ACC 322513-T |
| L1334 | 6200003950 | S.COIL | HF50ACC 322513-T |
| L1335 | 6200003950 | S.COIL | HF50ACC 322513-T |
| L1336 | 6200001830 | S.COIL | NL 322522T-100J |
| L1337 | 6200001830 | S.COIL | NL 322522T-100J |
| L1591 | 6180000990 | COIL | LAL 04NA 101K |
| L1592 | 6200003260 | S.COIL | NL 322522T-101J |
| L1593 | 6200003260 | S.COIL | NL 322522T-101J |
| L1701 | 6200001830 | S.COIL | NL 322522T-100J |
| L1702 | 6200001830 | S.COIL | NL 322522T-100J |
| R501 | 7030003440 | S.RESISTOR | ERJ3GEYJ 102 V (1 kΩ) |
| R502 | 7030003560 | S.RESISTOR | ERJ3GEYJ 103 V (10 kΩ) |
| R503 | 7030003400 | S.RESISTOR | ERJ3GEYJ 471 V (470 Ω) |
| R511 | 7030003440 | S.RESISTOR | ERJ3GEYJ 102 V (1 kΩ) |
| R512 | 7030003480 | S.RESISTOR | ERJ3GEYJ 222 V (2.2 kΩ) |
| R513 | 7030003480 | S.RESISTOR | ERJ3GEYJ 222 V (2.2 kΩ) |
| R514 | 7030003360 | S.RESISTOR | ERJ3GEYJ 221 V (220 Ω) |
| R521 | 7030003610 | S.RESISTOR | ERJ3GEYJ 273 V (27 kΩ) |
| R522 | 7030003520 | S.RESISTOR | ERJ3GEYJ 472 V (4.7 kΩ) |
| R523 | 7030003760 | S.RESISTOR | ERJ3GEYJ 474 V (470 kΩ) |
| R524 | 7030003340 | S.RESISTOR | ERJ3GEYJ 151 V (150 Ω) |
| R525 | 7030003320 | S.RESISTOR | ERJ3GEYJ 101 V (100 Ω) |
| R531 | 7030003520 | S.RESISTOR | ERJ3GEYJ 472 V (4.7 kΩ) |
| R532 | 7030003520 | S.RESISTOR | ERJ3GEYJ 472 V (4.7 kΩ) |
| R533 | 7030003520 | S.RESISTOR | ERJ3GEYJ 472 V (4.7 kΩ) |
| R541 | 7510000870 | S.THERMISTOR | NTCCF2012 3FH 332KC-T |
| R542 | 7030003600 | S.RESISTOR | ERJ3GEYJ 223 V (22 kΩ) |
| R543 | 7030003520 | S.RESISTOR | ERJ3GEYJ 472 V (4.7 kΩ) |
| R544 | 7030003560 | S.RESISTOR | ERJ3GEYJ 103 V (10 kΩ) |
| R546 | 7310002740 | S.TRIMMER | RV-150 |
| R547 | 7030003320 | S.RESISTOR | ERJ3GEYJ 101 V (100 Ω) |
| R548 | 7030003440 | S.RESISTOR | ERJ3GEYJ 102 V (1 kΩ) |
| R549 | 7030003600 | S.RESISTOR | ERJ3GEYJ 223 V (22 kΩ) |
| R550 | 7030003640 | S.RESISTOR | ERJ3GEYJ 473 V (47 kΩ) |
| R560 | 7030003480 | S.RESISTOR | ERJ3GEYJ 222 V (2.2 kΩ) |
| R571 | 7030003480 | S.RESISTOR | ERJ3GEYJ 222 V (2.2 kΩ) |
| R572 | 7030003560 | S.RESISTOR | ERJ3GEYJ 103 V (10 kΩ) |
| R573 | 7030003360 | S.RESISTOR | ERJ3GEYJ 221 V (220 Ω) |
| R574 | 7030003480 | S.RESISTOR | ERJ3GEYJ 222 V (2.2 kΩ) |
| R575 | 7030003320 | S.RESISTOR | ERJ3GEYJ 101 V (100 Ω) |
| R581 | 7030003480 | S.RESISTOR | ERJ3GEYJ 222 V (2.2 kΩ) |
| R582 | 7030003560 | S.RESISTOR | ERJ3GEYJ 103 V (10 kΩ) |
| R583 | 7030003360 | S.RESISTOR | ERJ3GEYJ 221 V (220 Ω) |
| R584 | 7030003480 | S.RESISTOR | ERJ3GEYJ 222 V (2.2 kΩ) |
| R585 | 7030003320 | S.RESISTOR | ERJ3GEYJ 101 V (100 Ω) |
| R591 | 7030003480 | S.RESISTOR | ERJ3GEYJ 222 V (2.2 kΩ) |
| R592 | 7030003560 | S.RESISTOR | ERJ3GEYJ 103 V (10 kΩ) |
| R593 | 7030003360 | S.RESISTOR | ERJ3GEYJ 221 V (220 Ω) |
| R594 | 7030003480 | S.RESISTOR | ERJ3GEYJ 222 V (2.2 kΩ) |
| R595 | 7030003320 | S.RESISTOR | ERJ3GEYJ 101 V (100 Ω) |
| R601 | 7030003480 | S.RESISTOR | ERJ3GEYJ 222 V (2.2 kΩ) |
| R602 | 7030003560 | S.RESISTOR | ERJ3GEYJ 103 V (10 kΩ) |
| R603 | 7030003360 | S.RESISTOR | ERJ3GEYJ 221 V (220 Ω) |
| R604 | 7030003480 | S.RESISTOR | ERJ3GEYJ 222 V (2.2 kΩ) |
| R605 | 7030003320 | S.RESISTOR | ERJ3GEYJ 101 V (100 Ω) |
| R611 | 7030003560 | S.RESISTOR | ERJ3GEYJ 103 V (10 kΩ) |
| R612 | 7030003520 | S.RESISTOR | ERJ3GEYJ 472 V (4.7 kΩ) |
| R613 | 7030003520 | S.RESISTOR | ERJ3GEYJ 472 V (4.7 kΩ) |
| R614 | 7030003520 | S.RESISTOR | ERJ3GEYJ 472 V (4.7 kΩ) |
| R615 | 7030003520 | S.RESISTOR | ERJ3GEYJ 472 V (4.7 kΩ) |
| R616 | 7030003600 | S.RESISTOR | ERJ3GEYJ 223 V (22 kΩ) |
| R621 | 7030003520 | S.RESISTOR | ERJ3GEYJ 472 V (4.7 kΩ) |
| R631 | 7030003440 | S.RESISTOR | ERJ3GEYJ 102 V (1 kΩ) |
| R632 | 7030003400 | S.RESISTOR | ERJ3GEYJ 471 V (470 Ω) |
| R633 | 7030003400 | S.RESISTOR | ERJ3GEYJ 471 V (470 Ω) |

[MAIN UNIT]

| REF NO. | ORDER NO. | | DESCRIPTION |
|---------|------------|------------|-------------------------|
| R634 | 7030003500 | S.RESISTOR | ERJ3GEYJ 332 V (3.3 kΩ) |
| R635 | 7030003400 | S.RESISTOR | ERJ3GEYJ 471 V (470 Ω) |
| R636 | 7030003500 | S.RESISTOR | ERJ3GEYJ 332 V (3.3 kΩ) |
| R637 | 7030003490 | S.RESISTOR | ERJ3GEYJ 272 V (2.7 kΩ) |
| R638 | 7030003440 | S.RESISTOR | ERJ3GEYJ 102 V (1 kΩ) |
| R639 | 7030003440 | S.RESISTOR | ERJ3GEYJ 102 V (1 kΩ) |
| R640 | 7030003500 | S.RESISTOR | ERJ3GEYJ 332 V (3.3 kΩ) |
| R641 | 7030003480 | S.RESISTOR | ERJ3GEYJ 222 V (2.2 kΩ) |
| R642 | 7030003640 | S.RESISTOR | ERJ3GEYJ 473 V (47 kΩ) |
| R643 | 7030003490 | S.RESISTOR | ERJ3GEYJ 272 V (2.7 kΩ) |
| R644 | 7030003490 | S.RESISTOR | ERJ3GEYJ 272 V (2.7 kΩ) |
| R645 | 7030003500 | S.RESISTOR | ERJ3GEYJ 332 V (3.3 kΩ) |
| R646 | 7030003440 | S.RESISTOR | ERJ3GEYJ 102 V (1 kΩ) |
| R647 | 7030003320 | S.RESISTOR | ERJ3GEYJ 101 V (100 Ω) |
| R651 | 7030003680 | S.RESISTOR | ERJ3GEYJ 104 V (100 kΩ) |
| R652 | 7030003360 | S.RESISTOR | ERJ3GEYJ 221 V (220 Ω) |
| R653 | 7030003560 | S.RESISTOR | ERJ3GEYJ 103 V (10 kΩ) |
| R654 | 7030003560 | S.RESISTOR | ERJ3GEYJ 103 V (10 kΩ) |
| R662 | 7310004090 | S.TRIMMER | EVM-1YSX50 B14 (103) |
| R663 | 7030003440 | S.RESISTOR | ERJ3GEYJ 102 V (1 kΩ) |
| R664 | 7030003460 | S.RESISTOR | ERJ3GEYJ 101 V (100 Ω) |
| R665 | 7030003520 | S.RESISTOR | ERJ3GEYJ 472 V (4.7 kΩ) |
| R666 | 7030003560 | S.RESISTOR | ERJ3GEYJ 103 V (10 kΩ) |
| R667 | 7030003380 | S.RESISTOR | ERJ3GEYJ 331 V (330 Ω) |
| R668 | 7030003490 | S.RESISTOR | ERJ3GEYJ 272 V (2.7 kΩ) |
| R670 | 7030003440 | S.RESISTOR | ERJ3GEYJ 102 V (1 kΩ) |
| R671 | 7030003440 | S.RESISTOR | ERJ3GEYJ 102 V (1 kΩ) |
| R672 | 7030003600 | S.RESISTOR | ERJ3GEYJ 223 V (22 kΩ) |
| R673 | 7030003600 | S.RESISTOR | ERJ3GEYJ 223 V (22 kΩ) |
| R674 | 7310004060 | S.TRIMMER | EVM-1YSX50 B13 (102) |
| R675 | 7030003460 | S.RESISTOR | ERJ3GEYJ 152 V (1.5 kΩ) |
| R681 | 7030003520 | S.RESISTOR | ERJ3GEYJ 472 V (4.7 kΩ) |
| R682 | 7030003520 | S.RESISTOR | ERJ3GEYJ 472 V (4.7 kΩ) |
| R683 | 7310002740 | S.TRIMMER | RV-150 |
| R686 | 7030003440 | S.RESISTOR | ERJ3GEYJ 102 V (1 kΩ) |
| R687 | 7310002740 | S.TRIMMER | RV-150 |
| R688 | 7030003520 | S.RESISTOR | ERJ3GEYJ 472 V (4.7 kΩ) |
| R689 | 7030003400 | S.RESISTOR | ERJ3GEYJ 471 V (470 Ω) |
| R690 | 7030003640 | S.RESISTOR | ERJ3GEYJ 473 V (47 kΩ) |
| R691 | 7030003520 | S.RESISTOR | ERJ3GEYJ 472 V (4.7 kΩ) |
| R701 | 7030003560 | S.RESISTOR | ERJ3GEYJ 103 V (10 kΩ) |
| R702 | 7030003560 | S.RESISTOR | ERJ3GEYJ 103 V (10 kΩ) |
| R703 | 7030003360 | S.RESISTOR | ERJ3GEYJ 221 V (220 Ω) |
| R704 | 7030003560 | S.RESISTOR | ERJ3GEYJ 103 V (10 kΩ) |
| R705 | 7030003320 | S.RESISTOR | ERJ3GEYJ 101 V (100 Ω) |
| R711 | 7030003510 | S.RESISTOR | ERJ3GEYJ 392 V (3.9 kΩ) |
| R712 | 7030003560 | S.RESISTOR | ERJ3GEYJ 103 V (10 kΩ) |
| R713 | 7030003360 | S.RESISTOR | ERJ3GEYJ 221 V (220 Ω) |
| R714 | 7030003510 | S.RESISTOR | ERJ3GEYJ 392 V (3.9 kΩ) |
| R715 | 7030003320 | S.RESISTOR | ERJ3GEYJ 101 V (100 Ω) |
| R721 | 7030003510 | S.RESISTOR | ERJ3GEYJ 392 V (3.9 kΩ) |
| R722 | 7030003560 | S.RESISTOR | ERJ3GEYJ 103 V (10 kΩ) |
| R723 | 7030003360 | S.RESISTOR | ERJ3GEYJ 221 V (220 Ω) |
| R724 | 7030003510 | S.RESISTOR | ERJ3GEYJ 392 V (3.9 kΩ) |
| R725 | 7030003320 | S.RESISTOR | ERJ3GEYJ 101 V (100 Ω) |
| R731 | 7030003510 | S.RESISTOR | ERJ3GEYJ 392 V (3.9 kΩ) |
| R732 | 7030003560 | S.RESISTOR | ERJ3GEYJ 103 V (10 kΩ) |
| R733 | 7030003360 | S.RESISTOR | ERJ3GEYJ 221 V (220 Ω) |
| R734 | 7030003510 | S.RESISTOR | ERJ3GEYJ 392 V (3.9 kΩ) |
| R735 | 7030003320 | S.RESISTOR | ERJ3GEYJ 101 V (100 Ω) |
| R741 | 7030003560 | S.RESISTOR | ERJ3GEYJ 103 V (10 kΩ) |
| R742 | 7030003560 | S.RESISTOR | ERJ3GEYJ 103 V (10 kΩ) |
| R751 | 7030003320 | S.RESISTOR | ERJ3GEYJ 101 V (100 Ω) |
| R752 | 7030003600 | S.RESISTOR | ERJ3GEYJ 223 V (22 kΩ) |
| R753 | 7030003480 | S.RESISTOR | ERJ3GEYJ 222 V (2.2 kΩ) |
| R754 | 7030003380 | S.RESISTOR | ERJ3GEYJ 331 V (330 Ω) |
| R755 | 7030003320 | S.RESISTOR | ERJ3GEYJ 101 V (100 Ω) |
| R761 | 7310002590 | S.TRIMMER | RV-109 |
| R763 | 7030003600 | S.RESISTOR | ERJ3GEYJ 223 V (22 kΩ) |
| R764 | 7030003340 | S.RESISTOR | ERJ3GEYJ 151 V (150 Ω) |
| R765 | 7030003320 | S.RESISTOR | ERJ3GEYJ 101 V (100 Ω) |
| R766 | 7030003560 | S.RESISTOR | ERJ3GEYJ 103 V (10 kΩ) |
| R767 | 7030003560 | S.RESISTOR | ERJ3GEYJ 103 V (10 kΩ) |
| R768 | 7030003500 | S.RESISTOR | ERJ3GEYJ 332 V (3.3 kΩ) |
| R769 | 7030003560 | S.RESISTOR | ERJ3GEYJ 103 V (10 kΩ) |
| R770 | 7030003590 | S.RESISTOR | ERJ3GEYJ 183 V (18 kΩ) |
| R771 | 7030003680 | S.RESISTOR | ERJ3GEYJ 104 V (100 kΩ) |
| R772 | 7030003380 | S.RESISTOR | ERJ3GEYJ 331 V (330 Ω) |
| R773 | 7030003700 | S.RESISTOR | ERJ3GEYJ 154 V (150 kΩ) |
| R774 | 7030003500 | S.RESISTOR | ERJ3GEYJ 332 V (3.3 kΩ) |
| R775 | 7030003720 | S.RESISTOR | ERJ3GEYJ 224 V (220 kΩ) |
| R776 | 7030003460 | S.RESISTOR | ERJ3GEYJ 152 V (1.5 kΩ) |

S.=Surface mount

[MAIN UNIT]

| REF NO. | ORDER NO. | DESCRIPTION |
|---------|------------|------------------------------------|
| R791 | 7030003440 | S.RESISTOR ERJ3GEYJ 102 V (1 kΩ) |
| R792 | 7030003440 | S.RESISTOR ERJ3GEYJ 102 V (1 kΩ) |
| R793 | 7030003440 | S.RESISTOR ERJ3GEYJ 102 V (1 kΩ) |
| R794 | 7030003500 | S.RESISTOR ERJ3GEYJ 332 V (3.3 kΩ) |
| R795 | 7030003480 | S.RESISTOR ERJ3GEYJ 222 V (2.2 kΩ) |
| R796 | 7030003460 | S.RESISTOR ERJ3GEYJ 152 V (1.5 kΩ) |
| R797 | 7030003440 | S.RESISTOR ERJ3GEYJ 102 V (1 kΩ) |
| R798 | 7030003440 | S.RESISTOR ERJ3GEYJ 102 V (1 kΩ) |
| R799 | 7030003480 | S.RESISTOR ERJ3GEYJ 222 V (2.2 kΩ) |
| R800 | 7030003440 | S.RESISTOR ERJ3GEYJ 102 V (1 kΩ) |
| R801 | 7030003640 | S.RESISTOR ERJ3GEYJ 473 V (47 kΩ) |
| R811 | 7030003360 | S.RESISTOR ERJ3GEYJ 221 V (220 Ω) |
| R812 | 7030003720 | S.RESISTOR ERJ3GEYJ 224 V (220 kΩ) |
| R813 | 7030003440 | S.RESISTOR ERJ3GEYJ 102 V (1 kΩ) |
| R821 | 7030003440 | S.RESISTOR ERJ3GEYJ 102 V (1 kΩ) |
| R822 | 7030003680 | S.RESISTOR ERJ3GEYJ 104 V (100 kΩ) |
| R823 | 7030003440 | S.RESISTOR ERJ3GEYJ 102 V (1 kΩ) |
| R824 | 7030003660 | S.RESISTOR ERJ3GEYJ 683 V (68 kΩ) |
| R825 | 7030003640 | S.RESISTOR ERJ3GEYJ 473 V (47 kΩ) |
| R831 | 7030003570 | S.RESISTOR ERJ3GEYJ 123 V (12 kΩ) |
| R832 | 7030003570 | S.RESISTOR ERJ3GEYJ 123 V (12 kΩ) |
| R833 | 7030003360 | S.RESISTOR ERJ3GEYJ 221 V (220 Ω) |
| R834 | 7030003620 | S.RESISTOR ERJ3GEYJ 333 V (33 kΩ) |
| R841 | 7030003680 | S.RESISTOR ERJ3GEYJ 104 V (100 kΩ) |
| R842 | 7030003600 | S.RESISTOR ERJ3GEYJ 223 V (22 kΩ) |
| R843 | 7030003320 | S.RESISTOR ERJ3GEYJ 101 V (100 Ω) |
| R844 | 7030003780 | S.RESISTOR ERJ3GEYJ 684 V (680 kΩ) |
| R845 | 7030003520 | S.RESISTOR ERJ3GEYJ 472 V (4.7 kΩ) |
| R846 | 7030003600 | S.RESISTOR ERJ3GEYJ 223 V (22 kΩ) |
| R847 | 7030003740 | S.RESISTOR ERJ3GEYJ 334 V (330 kΩ) |
| R848 | 7030003560 | S.RESISTOR ERJ3GEYJ 103 V (10 kΩ) |
| R851 | 7030003420 | S.RESISTOR ERJ3GEYJ 681 V (680 Ω) |
| R861 | 7030003680 | S.RESISTOR ERJ3GEYJ 104 V (100 kΩ) |
| R862 | 7030003520 | S.RESISTOR ERJ3GEYJ 472 V (4.7 kΩ) |
| R863 | 7030003320 | S.RESISTOR ERJ3GEYJ 101 V (100 Ω) |
| R864 | 7030003320 | S.RESISTOR ERJ3GEYJ 101 V (100 Ω) |
| R865 | 7030003600 | S.RESISTOR ERJ3GEYJ 223 V (22 kΩ) |
| R866 | 7310002740 | S.TRIMMER RV-150 |
| R867 | 7030003640 | S.RESISTOR ERJ3GEYJ 473 V (47 kΩ) |
| R868 | 7030003640 | S.RESISTOR ERJ3GEYJ 473 V (47 kΩ) |
| R869 | 7030003640 | S.RESISTOR ERJ3GEYJ 473 V (47 kΩ) |
| R870 | 7030003440 | S.RESISTOR ERJ3GEYJ 102 V (1 kΩ) |
| R871 | 7030003520 | S.RESISTOR ERJ3GEYJ 472 V (4.7 kΩ) |
| R872 | 7030003320 | S.RESISTOR ERJ3GEYJ 101 V (100 Ω) |
| R873 | 7030003640 | S.RESISTOR ERJ3GEYJ 473 V (47 kΩ) |
| R874 | 7030003520 | S.RESISTOR ERJ3GEYJ 472 V (4.7 kΩ) |
| R875 | 7030003680 | S.RESISTOR ERJ3GEYJ 104 V (100 kΩ) |
| R876 | 7030003400 | S.RESISTOR ERJ3GEYJ 471 V (470 Ω) |
| R877 | 7030003440 | S.RESISTOR ERJ3GEYJ 102 V (1 kΩ) |
| R878 | 7030003540 | S.RESISTOR ERJ3GEYJ 682 V (6.8 kΩ) |
| R879 | 7030003600 | S.RESISTOR ERJ3GEYJ 223 V (22 kΩ) |
| R880 | 7030003280 | S.RESISTOR ERJ3GEYJ 470 V (47 Ω) |
| R881 | 7030003440 | S.RESISTOR ERJ3GEYJ 102 V (1 kΩ) |
| R891 | 7030003560 | S.RESISTOR ERJ3GEYJ 103 V (10 kΩ) |
| R892 | 7030003840 | S.RESISTOR ERJ3GEYJ 225 V (2.2 MΩ) |
| R893 | 7030003580 | S.RESISTOR ERJ3GEYJ 153 V (15 kΩ) |
| R894 | 7030003320 | S.RESISTOR ERJ3GEYJ 101 V (100 Ω) |
| R895 | 7030003520 | S.RESISTOR ERJ3GEYJ 472 V (4.7 kΩ) |
| R896 | 7030003600 | S.RESISTOR ERJ3GEYJ 223 V (22 kΩ) |
| R897 | 7030003680 | S.RESISTOR ERJ3GEYJ 104 V (100 kΩ) |
| R898 | 7030003480 | S.RESISTOR ERJ3GEYJ 222 V (2.2 kΩ) |
| R899 | 7030003760 | S.RESISTOR ERJ3GEYJ 474 V (470 kΩ) |
| R900 | 7030003680 | S.RESISTOR ERJ3GEYJ 104 V (100 kΩ) |
| R901 | 7030003680 | S.RESISTOR ERJ3GEYJ 104 V (100 kΩ) |
| R902 | 7030003320 | S.RESISTOR ERJ3GEYJ 101 V (100 Ω) |
| R903 | 7030003340 | S.RESISTOR ERJ3GEYJ 151 V (150 Ω) |
| R904 | 7030003680 | S.RESISTOR ERJ3GEYJ 104 V (100 kΩ) |
| R905 | 7030003440 | S.RESISTOR ERJ3GEYJ 102 V (1 kΩ) |
| R906 | 7030003320 | S.RESISTOR ERJ3GEYJ 101 V (100 Ω) |
| R907 | 7030003280 | S.RESISTOR ERJ3GEYJ 470 V (47 Ω) |
| R908 | 7030003440 | S.RESISTOR ERJ3GEYJ 102 V (1 kΩ) |
| R909 | 7030003400 | S.RESISTOR ERJ3GEYJ 471 V (470 Ω) |
| R921 | 7030003380 | S.RESISTOR ERJ3GEYJ 331 V (330 Ω) |
| R931 | 7030003560 | S.RESISTOR ERJ3GEYJ 103 V (10 kΩ) |
| R932 | 7030003660 | S.RESISTOR ERJ3GEYJ 683 V (68 kΩ) |
| R933 | 7030003630 | S.RESISTOR ERJ3GEYJ 393 V (39 kΩ) |
| R934 | 7030003640 | S.RESISTOR ERJ3GEYJ 473 V (47 kΩ) |
| R941 | 7030003840 | S.RESISTOR ERJ3GEYJ 225 V (2.2 MΩ) |
| R942 | 7030004710 | S.RESISTOR ERJ3GEYJ 475 V (4.7 MΩ) |
| R943 | 7030004710 | S.RESISTOR ERJ3GEYJ 475 V (4.7 MΩ) |
| R944 | 7030003820 | S.RESISTOR ERJ3GEYJ 155 V (1.5 MΩ) |
| R951 | 7030003680 | S.RESISTOR ERJ3GEYJ 104 V (100 kΩ) |

[MAIN UNIT]

| REF NO. | ORDER NO. | DESCRIPTION |
|---------|------------|------------------------------------|
| R952 | 7030003560 | S.RESISTOR ERJ3GEYJ 103 V (10 kΩ) |
| R953 | 7030003320 | S.RESISTOR ERJ3GEYJ 101 V (100 Ω) |
| R954 | 7030003560 | S.RESISTOR ERJ3GEYJ 103 V (10 kΩ) |
| R955 | 7030003680 | S.RESISTOR ERJ3GEYJ 104 V (100 kΩ) |
| R961 | 7030003680 | S.RESISTOR ERJ3GEYJ 104 V (100 kΩ) |
| R962 | 7030003560 | S.RESISTOR ERJ3GEYJ 103 V (10 kΩ) |
| R963 | 7030003320 | S.RESISTOR ERJ3GEYJ 101 V (100 Ω) |
| R964 | 7030003560 | S.RESISTOR ERJ3GEYJ 103 V (10 kΩ) |
| R971 | 7030009340 | S.RESISTOR ERJ3GEYJ 275V (2.7 MΩ) |
| R972 | 7030003800 | S.RESISTOR ERJ3GEYJ 105 V (1 MΩ) |
| R973 | 7030003760 | S.RESISTOR ERJ3GEYJ 474 V (470 kΩ) |
| R981 | 7030008180 | S.RESISTOR ERJ12YJ331H (330 Ω) |
| R982 | 7030003560 | S.RESISTOR ERJ3GEYJ 103 V (10 kΩ) |
| R983 | 7030003680 | S.RESISTOR ERJ3GEYJ 104 V (100 kΩ) |
| R984 | 7030003720 | S.RESISTOR ERJ3GEYJ 224 V (220 kΩ) |
| R985 | 7030003760 | S.RESISTOR ERJ3GEYJ 474 V (470 kΩ) |
| R986 | 7030003820 | S.RESISTOR ERJ3GEYJ 155 V (1.5 MΩ) |
| R987 | 7030003380 | S.RESISTOR ERJ3GEYJ 331 V (330 Ω) |
| R989 | 7310002800 | S.TRIMMER RV-156 |
| R991 | 7310002800 | S.TRIMMER RV-156 |
| R993 | 7310002800 | S.TRIMMER RV-156 |
| R994 | 7310002800 | S.TRIMMER RV-156 |
| R995 | 7030003560 | S.RESISTOR ERJ3GEYJ 103 V (10 kΩ) |
| R996 | 7030003680 | S.RESISTOR ERJ3GEYJ 104 V (100 kΩ) |
| R997 | 7030003320 | S.RESISTOR ERJ3GEYJ 101 V (100 Ω) |
| R1012 | 7030003740 | S.RESISTOR ERJ3GEYJ 334 V (330 kΩ) |
| R1013 | 7030003680 | S.RESISTOR ERJ3GEYJ 104 V (100 kΩ) |
| R1014 | 7030003680 | S.RESISTOR ERJ3GEYJ 104 V (100 kΩ) |
| R1015 | 7030003840 | S.RESISTOR ERJ3GEYJ 225 V (2.2 MΩ) |
| R1016 | 7030003560 | S.RESISTOR ERJ3GEYJ 103 V (10 kΩ) |
| R1017 | 7030003400 | S.RESISTOR ERJ3GEYJ 471 V (470 Ω) |
| R1021 | 7030003640 | S.RESISTOR ERJ3GEYJ 473 V (47 kΩ) |
| R1022 | 7030003640 | S.RESISTOR ERJ3GEYJ 473 V (47 kΩ) |
| R1023 | 7030003620 | S.RESISTOR ERJ3GEYJ 333 V (33 kΩ) |
| R1024 | 7030003620 | S.RESISTOR ERJ3GEYJ 333 V (33 kΩ) |
| R1025 | 7310002740 | S.TRIMMER RV-150 |
| R1026 | 7030003800 | S.RESISTOR ERJ3GEYJ 105 V (1 MΩ) |
| R1033 | 7030003440 | S.RESISTOR ERJ3GEYJ 102 V (1 kΩ) |
| R1034 | 7030003400 | S.RESISTOR ERJ3GEYJ 471 V (470 Ω) |
| R1035 | 7030003400 | S.RESISTOR ERJ3GEYJ 471 V (470 Ω) |
| R1041 | 7030003400 | S.RESISTOR ERJ3GEYJ 471 V (470 Ω) |
| R1042 | 7030003400 | S.RESISTOR ERJ3GEYJ 471 V (470 Ω) |
| R1043 | 7030003560 | S.RESISTOR ERJ3GEYJ 103 V (10 kΩ) |
| R1044 | 7030003560 | S.RESISTOR ERJ3GEYJ 103 V (10 kΩ) |
| R1045 | 7030003670 | S.RESISTOR ERJ3GEYJ 823 V (82 kΩ) |
| R1046 | 7030003640 | S.RESISTOR ERJ3GEYJ 473 V (47 kΩ) |
| R1051 | 7030003440 | S.RESISTOR ERJ3GEYJ 102 V (1 kΩ) |
| R1052 | 7030003600 | S.RESISTOR ERJ3GEYJ 223 V (22 kΩ) |
| R1053 | 7030003440 | S.RESISTOR ERJ3GEYJ 102 V (1 kΩ) |
| R1054 | 7030003580 | S.RESISTOR ERJ3GEYJ 153 V (15 kΩ) |
| R1061 | 7030003640 | S.RESISTOR ERJ3GEYJ 473 V (47 kΩ) |
| R1062 | 7030003590 | S.RESISTOR ERJ3GEYJ 183 V (18 kΩ) |
| R1063 | 7030003440 | S.RESISTOR ERJ3GEYJ 102 V (1 kΩ) |
| R1064 | 7030003520 | S.RESISTOR ERJ3GEYJ 472 V (4.7 kΩ) |
| R1065 | 7030003520 | S.RESISTOR ERJ3GEYJ 472 V (4.7 kΩ) |
| R1066 | 7030003550 | S.RESISTOR ERJ3GEYJ 822 V (8.2 kΩ) |
| R1067 | 7030003320 | S.RESISTOR ERJ3GEYJ 101 V (100 Ω) |
| R1068 | 7030003610 | S.RESISTOR ERJ3GEYJ 273 V (27 kΩ) |
| R1069 | 7030003480 | S.RESISTOR ERJ3GEYJ 222 V (2.2 kΩ) |
| R1070 | 7030003680 | S.RESISTOR ERJ3GEYJ 104 V (100 kΩ) |
| R1081 | 7030003560 | S.RESISTOR ERJ3GEYJ 103 V (10 kΩ) |
| R1082 | 7030003720 | S.RESISTOR ERJ3GEYJ 224 V (220 kΩ) |
| R1083 | 7030003680 | S.RESISTOR ERJ3GEYJ 104 V (100 kΩ) |
| R1084 | 7030003680 | S.RESISTOR ERJ3GEYJ 104 V (100 kΩ) |
| R1085 | 7030003680 | S.RESISTOR ERJ3GEYJ 104 V (100 kΩ) |
| R1086 | 7030003680 | S.RESISTOR ERJ3GEYJ 104 V (100 kΩ) |
| R1087 | 7030003600 | S.RESISTOR ERJ3GEYJ 223 V (22 kΩ) |
| R1088 | 7030003640 | S.RESISTOR ERJ3GEYJ 473 V (47 kΩ) |
| R1089 | 7030003680 | S.RESISTOR ERJ3GEYJ 104 V (100 kΩ) |
| R1090 | 7030003320 | S.RESISTOR ERJ3GEYJ 101 V (100 Ω) |
| R1091 | 7030003610 | S.RESISTOR ERJ3GEYJ 273 V (27 kΩ) |
| R1092 | 7030003480 | S.RESISTOR ERJ3GEYJ 222 V (2.2 kΩ) |
| R1093 | 7030003550 | S.RESISTOR ERJ3GEYJ 822 V (8.2 kΩ) |
| R1094 | 7030003400 | S.RESISTOR ERJ3GEYJ 471 V (470 Ω) |
| R1095 | 7030003400 | S.RESISTOR ERJ3GEYJ 471 V (470 Ω) |
| R1096 | 7030003400 | S.RESISTOR ERJ3GEYJ 471 V (470 Ω) |
| R1097 | 7030003400 | S.RESISTOR ERJ3GEYJ 471 V (470 Ω) |
| R1098 | 7030003440 | S.RESISTOR ERJ3GEYJ 102 V (1 kΩ) |
| R1099 | 7030003380 | S.RESISTOR ERJ3GEYJ 331 V (330 Ω) |
| R1101 | 7030003280 | S.RESISTOR ERJ3GEYJ 470 V (47 Ω) |
| R1102 | 7030003560 | S.RESISTOR ERJ3GEYJ 103 V (10 kΩ) |
| R1103 | 7030003440 | S.RESISTOR ERJ3GEYJ 102 V (1 kΩ) |

S.=Surface mount

[MAIN UNIT]

| REF NO. | ORDER NO. | DESCRIPTION | |
|---------|------------|-------------|-------------------------|
| R1104 | 7030003400 | S.RESISTOR | ERJ3GEYJ 471 V (470 Ω) |
| R1111 | 7030003200 | S.RESISTOR | ERJ3GEYJ 100 V (10 Ω) |
| R1123 | 7030003600 | S.RESISTOR | ERJ3GEYJ 223 V (22 kΩ) |
| R1124 | 7030003560 | S.RESISTOR | ERJ3GEYJ 103 V (10 kΩ) |
| R1125 | 7030003680 | S.RESISTOR | ERJ3GEYJ 104 V (100 kΩ) |
| R1126 | 7030003720 | S.RESISTOR | ERJ3GEYJ 224 V (220 kΩ) |
| R1127 | 7030003680 | S.RESISTOR | ERJ3GEYJ 104 V (100 kΩ) |
| R1128 | 7030003560 | S.RESISTOR | ERJ3GEYJ 103 V (10 kΩ) |
| R1129 | 7030003670 | S.RESISTOR | ERJ3GEYJ 823 V (82 kΩ) |
| R1130 | 7030003520 | S.RESISTOR | ERJ3GEYJ 472 V (4.7 kΩ) |
| R1131 | 7030003440 | S.RESISTOR | ERJ3GEYJ 102 V (1 kΩ) |
| R1132 | 7030003360 | S.RESISTOR | ERJ3GEYJ 221 V (220 Ω) |
| R1133 | 7030003520 | S.RESISTOR | ERJ3GEYJ 472 V (4.7 kΩ) |
| R1134 | 7030003560 | S.RESISTOR | ERJ3GEYJ 103 V (10 kΩ) |
| R1135 | 7030003720 | S.RESISTOR | ERJ3GEYJ 224 V (220 kΩ) |
| R1136 | 7030003640 | S.RESISTOR | ERJ3GEYJ 473 V (47 kΩ) |
| R1137 | 7030003640 | S.RESISTOR | ERJ3GEYJ 473 V (47 kΩ) |
| R1138 | 7030003560 | S.RESISTOR | ERJ3GEYJ 103 V (10 kΩ) |
| R1139 | 7210003000 | VARIABLE | EVU-ELOEC2 B25 (200KB) |
| R1140 | 7030003600 | S.RESISTOR | ERJ3GEYJ 223 V (22 kΩ) |
| R1141 | 7030003540 | S.RESISTOR | ERJ3GEYJ 682 V (6.8 kΩ) |
| R1142 | 7030003720 | S.RESISTOR | ERJ3GEYJ 224 V (220 kΩ) |
| R1143 | 7030003290 | S.RESISTOR | ERJ3GEYJ 560 V (56 Ω) |
| R1144 | 7030003540 | S.RESISTOR | ERJ3GEYJ 682 V (6.8 kΩ) |
| R1145 | 7030003520 | S.RESISTOR | ERJ3GEYJ 472 V (4.7 kΩ) |
| R1146 | 7030003620 | S.RESISTOR | ERJ3GEYJ 333 V (33 kΩ) |
| R1147 | 7030003320 | S.RESISTOR | ERJ3GEYJ 101 V (100 Ω) |
| R1148 | 7030003360 | S.RESISTOR | ERJ3GEYJ 221 V (220 Ω) |
| R1149 | 7030003540 | S.RESISTOR | ERJ3GEYJ 682 V (6.8 kΩ) |
| R1150 | 7030003540 | S.RESISTOR | ERJ3GEYJ 682 V (6.8 kΩ) |
| R1161 | 7030003590 | S.RESISTOR | ERJ3GEYJ 183 V (18 kΩ) |
| R1162 | 7030003640 | S.RESISTOR | ERJ3GEYJ 473 V (47 kΩ) |
| R1163 | 7030003580 | S.RESISTOR | ERJ3GEYJ 153 V (15 kΩ) |
| R1164 | 7030003520 | S.RESISTOR | ERJ3GEYJ 472 V (4.7 kΩ) |
| R1165 | 7030003700 | S.RESISTOR | ERJ3GEYJ 154 V (150 kΩ) |
| R1166 | 7030003370 | S.RESISTOR | ERJ3GEYJ 271 V (270 Ω) |
| R1167 | 7030003560 | S.RESISTOR | ERJ3GEYJ 103 V (10 kΩ) |
| R1168 | 7030003750 | S.RESISTOR | ERJ3GEYJ 394 V (390 kΩ) |
| R1169 | 7030003680 | S.RESISTOR | ERJ3GEYJ 104 V (100 kΩ) |
| R1170 | 7030003700 | S.RESISTOR | ERJ3GEYJ 154 V (150 kΩ) |
| R1171 | 7030003200 | S.RESISTOR | ERJ3GEYJ 100 V (10 Ω) |
| R1172 | 7030003750 | S.RESISTOR | ERJ3GEYJ 394 V (390 kΩ) |
| R1173 | 7030003670 | S.RESISTOR | ERJ3GEYJ 823 V (82 kΩ) |
| R1174 | 7030003440 | S.RESISTOR | ERJ3GEYJ 102 V (1 kΩ) |
| R1175 | 7030003560 | S.RESISTOR | ERJ3GEYJ 103 V (10 kΩ) |
| R1176 | 7030003440 | S.RESISTOR | ERJ3GEYJ 102 V (1 kΩ) |
| R1177 | 7030003560 | S.RESISTOR | ERJ3GEYJ 103 V (10 kΩ) |
| R1178 | 7030003670 | S.RESISTOR | ERJ3GEYJ 823 V (82 kΩ) |
| R1179 | 7030003450 | S.RESISTOR | ERJ3GEYJ 122 V (1.2 kΩ) |
| R1180 | 7030003440 | S.RESISTOR | ERJ3GEYJ 102 V (1 kΩ) |
| R1181 | 7310002740 | S.TRIMMER | RV-150 |
| R1182 | 7030003520 | S.RESISTOR | ERJ3GEYJ 472 V (4.7 kΩ) |
| R1183 | 7030003640 | S.RESISTOR | ERJ3GEYJ 473 V (47 kΩ) |
| R1184 | 7310002720 | S.TRIMMER | RV-148 |
| R1191 | 7030003320 | S.RESISTOR | ERJ3GEYJ 101 V (100 Ω) |
| R1192 | 7030003320 | S.RESISTOR | ERJ3GEYJ 101 V (100 Ω) |
| R1193 | 7030003560 | S.RESISTOR | ERJ3GEYJ 103 V (10 kΩ) |
| R1194 | 7030003560 | S.RESISTOR | ERJ3GEYJ 103 V (10 kΩ) |
| R1195 | 7030003560 | S.RESISTOR | ERJ3GEYJ 103 V (10 kΩ) |
| R1201 | 7030003840 | S.RESISTOR | ERJ3GEYJ 225 V (2.2 MΩ) |
| R1202 | 7030003800 | S.RESISTOR | ERJ3GEYJ 105 V (1 MΩ) |
| R1203 | 7030003670 | S.RESISTOR | ERJ3GEYJ 823 V (82 kΩ) |
| R1204 | 7030003670 | S.RESISTOR | ERJ3GEYJ 823 V (82 kΩ) |
| R1205 | 7030003670 | S.RESISTOR | ERJ3GEYJ 823 V (82 kΩ) |
| R1208 | 7030003800 | S.RESISTOR | ERJ3GEYJ 105 V (1 MΩ) |
| R1209 | 7030003840 | S.RESISTOR | ERJ3GEYJ 225 V (2.2 MΩ) |
| R1210 | 7030003690 | S.RESISTOR | ERJ3GEYJ 124 V (120 kΩ) |
| R1211 | 7030003680 | S.RESISTOR | ERJ3GEYJ 104 V (100 kΩ) |
| R1212 | 7030003760 | S.RESISTOR | ERJ3GEYJ 474 V (470 kΩ) |
| R1221 | 7030006210 | S.RESISTOR | ERJ12YJ4R7H (4.7 Ω) |
| R1222 | 7030003440 | S.RESISTOR | ERJ3GEYJ 102 V (1 kΩ) |
| R1223 | 7030003560 | S.RESISTOR | ERJ3GEYJ 103 V (10 kΩ) |
| R1231 | 7030006210 | S.RESISTOR | ERJ12YJ4R7H (4.7 Ω) |
| R1232 | 7030003440 | S.RESISTOR | ERJ3GEYJ 102 V (1 kΩ) |
| R1233 | 7030003560 | S.RESISTOR | ERJ3GEYJ 103 V (10 kΩ) |
| R1271 | 7030003200 | S.RESISTOR | ERJ3GEYJ 100 V (10 Ω) |
| R1281 | 7030003520 | S.RESISTOR | ERJ3GEYJ 472 V (4.7 kΩ) |
| R1282 | 7030003520 | S.RESISTOR | ERJ3GEYJ 472 V (4.7 kΩ) |
| R1283 | 7030003620 | S.RESISTOR | ERJ3GEYJ 333 V (33 kΩ) |
| R1284 | 7030003580 | S.RESISTOR | ERJ3GEYJ 153 V (15 kΩ) |
| R1291 | 7030003200 | S.RESISTOR | ERJ3GEYJ 100 V (10 Ω) |
| R1301 | 7030003380 | S.RESISTOR | ERJ3GEYJ 331 V (330 Ω) |

[MAIN UNIT]

| REF NO. | ORDER NO. | DESCRIPTION | |
|---------|------------|-------------|-------------------------|
| R1302 | 7030003560 | S.RESISTOR | ERJ3GEYJ 103 V (10 kΩ) |
| R1311 | 7030003480 | S.RESISTOR | ERJ3GEYJ 222 V (2.2 kΩ) |
| R1312 | 7030003480 | S.RESISTOR | ERJ3GEYJ 222 V (2.2 kΩ) |
| R1313 | 7030003560 | S.RESISTOR | ERJ3GEYJ 103 V (10 kΩ) |
| R1331 | 7030003480 | S.RESISTOR | ERJ3GEYJ 222 V (2.2 kΩ) |
| R1332 | 7030003480 | S.RESISTOR | ERJ3GEYJ 222 V (2.2 kΩ) |
| R1333 | 7030003400 | S.RESISTOR | ERJ3GEYJ 471 V (470 Ω) |
| R1334 | 7030003400 | S.RESISTOR | ERJ3GEYJ 471 V (470 Ω) |
| R1335 | 7030003360 | S.RESISTOR | ERJ3GEYJ 221 V (220 Ω) |
| R1336 | 7030003440 | S.RESISTOR | ERJ3GEYJ 102 V (1 kΩ) |
| R1337 | 7030003440 | S.RESISTOR | ERJ3GEYJ 102 V (1 kΩ) |
| R1338 | 7030003440 | S.RESISTOR | ERJ3GEYJ 102 V (1 kΩ) |
| R1339 | 7030003440 | S.RESISTOR | ERJ3GEYJ 102 V (1 kΩ) |
| R1340 | 7030003320 | S.RESISTOR | ERJ3GEYJ 101 V (100 Ω) |
| R1341 | 7030003320 | S.RESISTOR | ERJ3GEYJ 101 V (100 Ω) |
| R1342 | 7030003320 | S.RESISTOR | ERJ3GEYJ 101 V (100 Ω) |
| R1343 | 7030003440 | S.RESISTOR | ERJ3GEYJ 102 V (1 kΩ) |
| R1344 | 7030003440 | S.RESISTOR | ERJ3GEYJ 102 V (1 kΩ) |
| R1345 | 7030003360 | S.RESISTOR | ERJ3GEYJ 221 V (220 Ω) |
| R1346 | 7030003360 | S.RESISTOR | ERJ3GEYJ 221 V (220 Ω) |
| R1347 | 7030003440 | S.RESISTOR | ERJ3GEYJ 102 V (1 kΩ) |
| R1348 | 7030003440 | S.RESISTOR | ERJ3GEYJ 102 V (1 kΩ) |
| R1349 | 7030003440 | S.RESISTOR | ERJ3GEYJ 102 V (1 kΩ) |
| R1350 | 7030003440 | S.RESISTOR | ERJ3GEYJ 102 V (1 kΩ) |
| R1351 | 7030003440 | S.RESISTOR | ERJ3GEYJ 102 V (1 kΩ) |
| R1352 | 7030003320 | S.RESISTOR | ERJ3GEYJ 101 V (100 Ω) |
| R1353 | 7030003320 | S.RESISTOR | ERJ3GEYJ 101 V (100 Ω) |
| R1354 | 7030003320 | S.RESISTOR | ERJ3GEYJ 101 V (100 Ω) |
| R1355 | 7030003440 | S.RESISTOR | ERJ3GEYJ 102 V (1 kΩ) |
| R1356 | 7030003440 | S.RESISTOR | ERJ3GEYJ 102 V (1 kΩ) |
| R1501 | 7030003800 | S.RESISTOR | ERJ3GEYJ 105 V (1 MΩ) |
| R1502 | 7030003800 | S.RESISTOR | ERJ3GEYJ 105 V (1 MΩ) |
| R1503 | 7030003440 | S.RESISTOR | ERJ3GEYJ 102 V (1 kΩ) |
| R1521 | 7030003640 | S.RESISTOR | ERJ3GEYJ 473 V (47 kΩ) |
| R1522 | 7030003640 | S.RESISTOR | ERJ3GEYJ 473 V (47 kΩ) |
| R1523 | 7030003520 | S.RESISTOR | ERJ3GEYJ 472 V (4.7 kΩ) |
| R1531 | 7030003440 | S.RESISTOR | ERJ3GEYJ 102 V (1 kΩ) |
| R1551 | 7030003680 | S.RESISTOR | ERJ3GEYJ 104 V (100 kΩ) |
| R1552 | 7030003750 | S.RESISTOR | ERJ3GEYJ 394 V (390 kΩ) |
| R1553 | 7030003680 | S.RESISTOR | ERJ3GEYJ 104 V (100 kΩ) |
| R1554 | 7030003560 | S.RESISTOR | ERJ3GEYJ 103 V (10 kΩ) |
| R1555 | 7030003560 | S.RESISTOR | ERJ3GEYJ 103 V (10 kΩ) |
| R1556 | 7030003560 | S.RESISTOR | ERJ3GEYJ 103 V (10 kΩ) |
| R1557 | 7030003560 | S.RESISTOR | ERJ3GEYJ 103 V (10 kΩ) |
| R1558 | 7030003680 | S.RESISTOR | ERJ3GEYJ 104 V (100 kΩ) |
| R1559 | 7030003560 | S.RESISTOR | ERJ3GEYJ 103 V (10 kΩ) |
| R1560 | 7030003560 | S.RESISTOR | ERJ3GEYJ 103 V (10 kΩ) |
| R1561 | 7030003260 | S.RESISTOR | ERJ3GEYJ 330 V (33 Ω) |
| R1562 | 7030003260 | S.RESISTOR | ERJ3GEYJ 330 V (33 Ω) |
| R1574 | 7030003630 | S.RESISTOR | ERJ3GEYJ 393 V (39 kΩ) |
| R1575 | 7030003630 | S.RESISTOR | ERJ3GEYJ 393 V (39 kΩ) |
| R1576 | 7030003630 | S.RESISTOR | ERJ3GEYJ 393 V (39 kΩ) |
| R1577 | 7030003630 | S.RESISTOR | ERJ3GEYJ 393 V (39 kΩ) |
| R1578 | 7030003580 | S.RESISTOR | ERJ3GEYJ 153 V (15 kΩ) |
| R1579 | 7030003560 | S.RESISTOR | ERJ3GEYJ 103 V (10 kΩ) |
| R1580 | 7030003560 | S.RESISTOR | ERJ3GEYJ 103 V (10 kΩ) |
| R1581 | 7030003680 | S.RESISTOR | ERJ3GEYJ 104 V (100 kΩ) |
| R1582 | 7030003800 | S.RESISTOR | ERJ3GEYJ 105 V (1 MΩ) |
| R1591 | 7030003440 | S.RESISTOR | ERJ3GEYJ 102 V (1 kΩ) |
| R1592 | 7030003440 | S.RESISTOR | ERJ3GEYJ 102 V (1 kΩ) |
| R1593 | 7030003440 | S.RESISTOR | ERJ3GEYJ 102 V (1 kΩ) |
| R1594 | 7030003440 | S.RESISTOR | ERJ3GEYJ 102 V (1 kΩ) |
| R1595 | 7030003440 | S.RESISTOR | ERJ3GEYJ 102 V (1 kΩ) |
| R1601 | 7030003440 | S.RESISTOR | ERJ3GEYJ 102 V (1 kΩ) |
| R1602 | 7030003440 | S.RESISTOR | ERJ3GEYJ 102 V (1 kΩ) |
| R1603 | 7030003440 | S.RESISTOR | ERJ3GEYJ 102 V (1 kΩ) |
| R1604 | 7030003440 | S.RESISTOR | ERJ3GEYJ 102 V (1 kΩ) |
| R1605 | 7030003440 | S.RESISTOR | ERJ3GEYJ 102 V (1 kΩ) |
| R1606 | 7030003440 | S.RESISTOR | ERJ3GEYJ 102 V (1 kΩ) |
| R1607 | 7030003440 | S.RESISTOR | ERJ3GEYJ 102 V (1 kΩ) |
| R1608 | 7030003440 | S.RESISTOR | ERJ3GEYJ 102 V (1 kΩ) |
| R1609 | 7030003440 | S.RESISTOR | ERJ3GEYJ 102 V (1 kΩ) |
| R1610 | 7030003440 | S.RESISTOR | ERJ3GEYJ 102 V (1 kΩ) |
| R1611 | 7030003440 | S.RESISTOR | ERJ3GEYJ 102 V (1 kΩ) |
| R1612 | 7030003440 | S.RESISTOR | ERJ3GEYJ 102 V (1 kΩ) |
| R1613 | 7030003440 | S.RESISTOR | ERJ3GEYJ 102 V (1 kΩ) |
| R1614 | 7030003440 | S.RESISTOR | ERJ3GEYJ 102 V (1 kΩ) |
| R1615 | 7030003440 | S.RESISTOR | ERJ3GEYJ 102 V (1 kΩ) |
| R1616 | 7030003440 | S.RESISTOR | ERJ3GEYJ 102 V (1 kΩ) |
| R1617 | 7030003440 | S.RESISTOR | ERJ3GEYJ 102 V (1 kΩ) |
| R1618 | 7030003440 | S.RESISTOR | ERJ3GEYJ 102 V (1 kΩ) |
| R1619 | 7030003440 | S.RESISTOR | ERJ3GEYJ 102 V (1 kΩ) |

S.=Surface mount

[MAIN UNIT]

| REF NO. | ORDER NO. | DESCRIPTION |
|---------|------------|-------------------------------------|
| R1620 | 7030003440 | S.RESISTOR ERJ3GGEYJ 102 V (1 kΩ) |
| R1621 | 7030003440 | S.RESISTOR ERJ3GGEYJ 102 V (1 kΩ) |
| R1622 | 7030003440 | S.RESISTOR ERJ3GGEYJ 102 V (1 kΩ) |
| R1623 | 7030003440 | S.RESISTOR ERJ3GGEYJ 102 V (1 kΩ) |
| R1624 | 7030003440 | S.RESISTOR ERJ3GGEYJ 102 V (1 kΩ) |
| R1625 | 7030003440 | S.RESISTOR ERJ3GGEYJ 102 V (1 kΩ) |
| R1626 | 7030003320 | S.RESISTOR ERJ3GGEYJ 101 V (100 Ω) |
| R1627 | 7030003320 | S.RESISTOR ERJ3GGEYJ 101 V (100 Ω) |
| R1628 | 7030003320 | S.RESISTOR ERJ3GGEYJ 101 V (100 Ω) |
| R1629 | 7030003320 | S.RESISTOR ERJ3GGEYJ 101 V (100 Ω) |
| R1630 | 7030003320 | S.RESISTOR ERJ3GGEYJ 101 V (100 Ω) |
| R1631 | 7030003320 | S.RESISTOR ERJ3GGEYJ 101 V (100 Ω) |
| R1632 | 7030003320 | S.RESISTOR ERJ3GGEYJ 101 V (100 Ω) |
| R1633 | 7030003320 | S.RESISTOR ERJ3GGEYJ 101 V (100 Ω) |
| R1634 | 7030003320 | S.RESISTOR ERJ3GGEYJ 101 V (100 Ω) |
| R1701 | 7030003640 | S.RESISTOR ERJ3GGEYJ 473 V (47 kΩ) |
| R1702 | 7030003640 | S.RESISTOR ERJ3GGEYJ 473 V (47 kΩ) |
| R1703 | 7030003640 | S.RESISTOR ERJ3GGEYJ 473 V (47 kΩ) |
| R1704 | 7030003440 | S.RESISTOR ERJ3GGEYJ 102 V (1 kΩ) |
| R1705 | 7030003440 | S.RESISTOR ERJ3GGEYJ 102 V (1 kΩ) |
| R1706 | 7030003440 | S.RESISTOR ERJ3GGEYJ 102 V (1 kΩ) |
| R1707 | 7030003440 | S.RESISTOR ERJ3GGEYJ 102 V (1 kΩ) |
| R1708 | 7030003440 | S.RESISTOR ERJ3GGEYJ 102 V (1 kΩ) |
| R1709 | 7030003640 | S.RESISTOR ERJ3GGEYJ 473 V (47 kΩ) |
| R1710 | 7030003520 | S.RESISTOR ERJ3GGEYJ 472 V (4.7 kΩ) |
| R1711 | 7030003520 | S.RESISTOR ERJ3GGEYJ 472 V (4.7 kΩ) |
| R1712 | 7030003800 | S.RESISTOR ERJ3GGEYJ 105 V (1 MΩ) |
| R1713 | 7030003720 | S.RESISTOR ERJ3GGEYJ 224 V (220 kΩ) |
| R1714 | 7030003680 | S.RESISTOR ERJ3GGEYJ 104 V (100 kΩ) |
| R1715 | 7030003440 | S.RESISTOR ERJ3GGEYJ 102 V (1 kΩ) |
| R1716 | 7030003520 | S.RESISTOR ERJ3GGEYJ 472 V (4.7 kΩ) |
| R1719 | 7030003440 | S.RESISTOR ERJ3GGEYJ 102 V (1 kΩ) |
| R1720 | 7030003540 | S.RESISTOR ERJ3GGEYJ 682 V (6.8 kΩ) |
| R1721 | 7030003620 | S.RESISTOR ERJ3GGEYJ 333 V (33 kΩ) |
| R1722 | 7030003640 | S.RESISTOR ERJ3GGEYJ 473 V (47 kΩ) |
| R1723 | 7030003680 | S.RESISTOR ERJ3GGEYJ 104 V (100 kΩ) |
| R1724 | 7030003680 | S.RESISTOR ERJ3GGEYJ 104 V (100 kΩ) |
| R1725 | 7030003580 | S.RESISTOR ERJ3GGEYJ 153 V (15 kΩ) |
| R1726 | 7030003640 | S.RESISTOR ERJ3GGEYJ 473 V (47 kΩ) |
| R1727 | 7030003640 | S.RESISTOR ERJ3GGEYJ 473 V (47 kΩ) |
| R1728 | 7030003680 | S.RESISTOR ERJ3GGEYJ 104 V (100 kΩ) |
| R1729 | 7030003680 | S.RESISTOR ERJ3GGEYJ 104 V (100 kΩ) |
| R1730 | 7030003440 | S.RESISTOR ERJ3GGEYJ 102 V (1 kΩ) |
| R1731 | 7030003640 | S.RESISTOR ERJ3GGEYJ 473 V (47 kΩ) |
| R1732 | 7030003640 | S.RESISTOR ERJ3GGEYJ 473 V (47 kΩ) |
| R1733 | 7030003640 | S.RESISTOR ERJ3GGEYJ 473 V (47 kΩ) |
| R1734 | 7030003640 | S.RESISTOR ERJ3GGEYJ 473 V (47 kΩ) |
| R1735 | 7030003440 | S.RESISTOR ERJ3GGEYJ 102 V (1 kΩ) |
| R1736 | 7030003520 | S.RESISTOR ERJ3GGEYJ 472 V (4.7 kΩ) |
| R1737 | 7030003440 | S.RESISTOR ERJ3GGEYJ 102 V (1 kΩ) |
| R1738 | 7030003640 | S.RESISTOR ERJ3GGEYJ 473 V (47 kΩ) |
| R1747 | 7030003640 | S.RESISTOR ERJ3GGEYJ 473 V (47 kΩ) |
| R1748 | 7030003440 | S.RESISTOR ERJ3GGEYJ 102 V (1 kΩ) |
| R1749 | 7030003640 | S.RESISTOR ERJ3GGEYJ 473 V (47 kΩ) |
| R1750 | 7030003560 | S.RESISTOR ERJ3GGEYJ 103 V (10 kΩ) |
| R1751 | 7030003440 | S.RESISTOR ERJ3GGEYJ 102 V (1 kΩ) |
| R1752 | 7030003760 | S.RESISTOR ERJ3GGEYJ 474 V (470 kΩ) |
| R1753 | 7030003720 | S.RESISTOR ERJ3GGEYJ 224 V (220 kΩ) |
| R1754 | 7030003720 | S.RESISTOR ERJ3GGEYJ 224 V (220 kΩ) |
| R1755 | 7030003440 | S.RESISTOR ERJ3GGEYJ 102 V (1 kΩ) |
| R1756 | 7030003680 | S.RESISTOR ERJ3GGEYJ 104 V (100 kΩ) |
| R1757 | 7030003640 | S.RESISTOR ERJ3GGEYJ 473 V (47 kΩ) |
| R1776 | 7030003440 | S.RESISTOR ERJ3GGEYJ 102 V (1 kΩ) |
| R1777 | 7030003440 | S.RESISTOR ERJ3GGEYJ 102 V (1 kΩ) |
| R1778 | 7030003640 | S.RESISTOR ERJ3GGEYJ 473 V (47 kΩ) |
| R1779 | 7030003800 | S.RESISTOR ERJ3GGEYJ 105 V (1 MΩ) |
| R1780 | 7030003440 | S.RESISTOR ERJ3GGEYJ 102 V (1 kΩ) |
| R1781 | 7030003440 | S.RESISTOR ERJ3GGEYJ 102 V (1 kΩ) |
| R1784 | 7030003640 | S.RESISTOR ERJ3GGEYJ 473 V (47 kΩ) |
| R1785 | 7030003640 | S.RESISTOR ERJ3GGEYJ 473 V (47 kΩ) |
| R1786 | 7030006560 | S.RESISTOR RR0816P-223-D (22 kΩ) |
| R1787 | 7030006560 | S.RESISTOR RR0816P-223-D (22 kΩ) |
| R1788 | 7030006560 | S.RESISTOR RR0816P-223-D (22 kΩ) |
| R1789 | 7030006560 | S.RESISTOR RR0816P-223-D (22 kΩ) |
| R1801 | 7030007660 | S.RESISTOR RR0816P-331-D (330 Ω) |
| R1802 | 7030006520 | S.RESISTOR RR0816P-561-D (560 Ω) |
| R1803 | 7030003320 | S.RESISTOR ERJ3GGEYJ 101 V (100 Ω) |
| R1804 | 7030003320 | S.RESISTOR ERJ3GGEYJ 101 V (100 Ω) |
| R1805 | 7030003680 | S.RESISTOR ERJ3GGEYJ 104 V (100 kΩ) |
| R1806 | 7030003320 | S.RESISTOR ERJ3GGEYJ 101 V (100 Ω) |
| R1807 | 7030003320 | S.RESISTOR ERJ3GGEYJ 101 V (100 Ω) |
| R1808 | 7030003640 | S.RESISTOR ERJ3GGEYJ 473 V (47 kΩ) |

[MAIN UNIT]

| REF NO. | ORDER NO. | DESCRIPTION |
|---------|------------|-------------------------------------|
| R1809 | 7030003680 | S.RESISTOR ERJ3GGEYJ 104 V (100 kΩ) |
| R1810 | 7030003680 | S.RESISTOR ERJ3GGEYJ 104 V (100 kΩ) |
| R1811 | 7030003400 | S.RESISTOR ERJ3GGEYJ 471 V (470 Ω) |
| R1812 | 7030003560 | S.RESISTOR ERJ3GGEYJ 103 V (10 kΩ) |
| R1813 | 7030003620 | S.RESISTOR ERJ3GGEYJ 333 V (33 kΩ) |
| C501 | 4030006860 | S.CERAMIC C1608 JB 1H 102K-T-A |
| C511 | 4030011600 | S.CERAMIC C1608 JB 1C 104KT-N |
| C512 | 4030006930 | S.CERAMIC C1608 CH 1H 020C-T-A |
| C513 | 4030006880 | S.CERAMIC C1608 JB 1H 472K-T-A |
| C514 | 4030006880 | S.CERAMIC C1608 JB 1H 472K-T-A |
| C521 | 4030006880 | S.CERAMIC C1608 JB 1H 472K-T-A |
| C522 | 4030011600 | S.CERAMIC C1608 JB 1C 104KT-N |
| C523 | 4030006880 | S.CERAMIC C1608 JB 1H 472K-T-A |
| C524 | 4030007050 | S.CERAMIC C1608 CH 1H 220J-T-A |
| C525 | 4030011600 | S.CERAMIC C1608 JB 1C 104KT-N |
| C531 | 4030006880 | S.CERAMIC C1608 JB 1H 472K-T-A |
| C532 | 4030006880 | S.CERAMIC C1608 JB 1H 472K-T-A |
| C533 | 4030006880 | S.CERAMIC C1608 JB 1H 472K-T-A |
| C534 | 4030006880 | S.CERAMIC C1608 JB 1H 472K-T-A |
| C541 | 4030006880 | S.CERAMIC C1608 JB 1H 472K-T-A |
| C542 | 4030006880 | S.CERAMIC C1608 JB 1H 472K-T-A |
| C543 | 4030011600 | S.CERAMIC C1608 JB 1C 104KT-N |
| C544 | 4510005810 | S.ELECTROLYTIC ECEV1HAR47R |
| C545 | 4030011600 | S.CERAMIC C1608 JB 1C 104KT-N |
| C546 | 4510005810 | S.ELECTROLYTIC ECEV1HAR47R |
| C547 | 4510004440 | S.ELECTROLYTIC ECEV1HA010SR |
| C548 | 4030006960 | S.CERAMIC C1608 CH 1H 050C-T-A |
| C571 | 4030011600 | S.CERAMIC C1608 JB 1C 104KT-N |
| C572 | 4030011600 | S.CERAMIC C1608 JB 1C 104KT-N |
| C581 | 4030011600 | S.CERAMIC C1608 JB 1C 104KT-N |
| C582 | 4030011600 | S.CERAMIC C1608 JB 1C 104KT-N |
| C583 | 4030007030 | S.CERAMIC C1608 CH 1H 150J-T-A |
| C591 | 4030011600 | S.CERAMIC C1608 JB 1C 104KT-N |
| C592 | 4030011600 | S.CERAMIC C1608 JB 1C 104KT-N |
| C601 | 4030011600 | S.CERAMIC C1608 JB 1C 104KT-N |
| C602 | 4030011600 | S.CERAMIC C1608 JB 1C 104KT-N |
| C611 | 4030011600 | S.CERAMIC C1608 JB 1C 104KT-N |
| C612 | 4030011600 | S.CERAMIC C1608 JB 1C 104KT-N |
| C621 | 4030006880 | S.CERAMIC C1608 JB 1H 472K-T-A |
| C632 | 4030011600 | S.CERAMIC C1608 JB 1C 104KT-N |
| C633 | 4510004630 | S.ELECTROLYTIC ECEV1CA100SR |
| C634 | 4030011600 | S.CERAMIC C1608 JB 1C 104KT-N |
| C635 | 4030011600 | S.CERAMIC C1608 JB 1C 104KT-N |
| C636 | 4510004630 | S.ELECTROLYTIC ECEV1CA100SR |
| C637 | 4030006880 | S.CERAMIC C1608 JB 1H 472K-T-A |
| C638 | 4030011600 | S.CERAMIC C1608 JB 1C 104KT-N |
| C639 | 4510004630 | S.ELECTROLYTIC ECEV1CA100SR |
| C640 | 4030006880 | S.CERAMIC C1608 JB 1H 472K-T-A |
| C641 | 4510004630 | S.ELECTROLYTIC ECEV1CA100SR |
| C642 | 4030006880 | S.CERAMIC C1608 JB 1H 472K-T-A |
| C643 | 4030011600 | S.CERAMIC C1608 JB 1C 104KT-N |
| C644 | 4030006880 | S.CERAMIC C1608 JB 1H 472K-T-A |
| C651 | 4030011600 | S.CERAMIC C1608 JB 1C 104KT-N |
| C652 | 4030006880 | S.CERAMIC C1608 JB 1H 472K-T-A |
| C653 | 4030006880 | S.CERAMIC C1608 JB 1H 472K-T-A |
| C654 | 4030006880 | S.CERAMIC C1608 JB 1H 472K-T-A |
| C661 | 4510004630 | S.ELECTROLYTIC ECEV1CA100SR |
| C662 | 4030011600 | S.CERAMIC C1608 JB 1C 104KT-N |
| C663 | 4030006880 | S.CERAMIC C1608 JB 1H 472K-T-A |
| C664 | 4510004630 | S.ELECTROLYTIC ECEV1CA100SR |
| C665 | 4030011600 | S.CERAMIC C1608 JB 1C 104KT-N |
| C666 | 4510004630 | S.ELECTROLYTIC ECEV1CA100SR |
| C667 | 4030011600 | S.CERAMIC C1608 JB 1C 104KT-N |
| C668 | 4030006880 | S.CERAMIC C1608 JB 1H 472K-T-A |
| C669 | 4510005830 | S.ELECTROLYTIC ECEV1HAN010R |
| C670 | 4030011600 | S.CERAMIC C1608 JB 1C 104KT-N |
| C671 | 4030006850 | S.CERAMIC C1608 JB 1H 471K-T-A |
| C672 | 4030006850 | S.CERAMIC C1608 JB 1H 471K-T-A |
| C681 | 4030011600 | S.CERAMIC C1608 JB 1C 104KT-N |
| C682 | 4030006860 | S.CERAMIC C1608 JB 1H 472K-T-A |
| C683 | 4510005860 | S.ELECTROLYTIC ECEV1HA2R2SR |
| C684 | 4030011600 | S.CERAMIC C1608 JB 1C 104KT-N |
| C685 | 4030006880 | S.CERAMIC C1608 JB 1H 472K-T-A |
| C701 | 4030011600 | S.CERAMIC C1608 JB 1C 104KT-N |
| C702 | 4030011600 | S.CERAMIC C1608 JB 1C 104KT-N |
| C711 | 4030011600 | S.CERAMIC C1608 JB 1C 104KT-N |
| C712 | 4030011600 | S.CERAMIC C1608 JB 1C 104KT-N |
| C721 | 4030011600 | S.CERAMIC C1608 JB 1C 104KT-N |
| C722 | 4030011600 | S.CERAMIC C1608 JB 1C 104KT-N |
| C731 | 4030011600 | S.CERAMIC C1608 JB 1C 104KT-N |

S.=Surface mount

[MAIN UNIT]

| REF NO. | ORDER NO. | DESCRIPTION |
|---------|------------|--------------------------------|
| C732 | 4030011600 | S.CERAMIC C1608 JB 1C 104KT-N |
| C741 | 4030011600 | S.CERAMIC C1608 JB 1C 104KT-N |
| C751 | 4030006880 | S.CERAMIC C1608 JB 1H 472K-T-A |
| C752 | 4030006880 | S.CERAMIC C1608 JB 1H 472K-T-A |
| C753 | 4030011600 | S.CERAMIC C1608 JB 1C 104KT-N |
| C754 | 4030007050 | S.CERAMIC C1608 CH 1H 220J-T-A |
| C755 | 4030011600 | S.CERAMIC C1608 JB 1C 104KT-N |
| C756 | 4030006880 | S.CERAMIC C1608 JB 1H 472K-T-A |
| C761 | 4030006880 | S.CERAMIC C1608 JB 1H 472K-T-A |
| C762 | 4030006880 | S.CERAMIC C1608 JB 1H 472K-T-A |
| C763 | 4030011600 | S.CERAMIC C1608 JB 1C 104KT-N |
| C764 | 4030007170 | S.CERAMIC C1608 CH 1H 221J-T-A |
| C765 | 4030011600 | S.CERAMIC C1608 JB 1C 104KT-N |
| C766 | 4030006880 | S.CERAMIC C1608 JB 1H 472K-T-A |
| C767 | 4510005860 | S.ELECTROLYTIC ECEV1HA2R2SR |
| C771 | 4030011600 | S.CERAMIC C1608 JB 1C 104KT-N |
| C772 | 4030006880 | S.CERAMIC C1608 JB 1H 472K-T-A |
| C773 | 4030011600 | S.CERAMIC C1608 JB 1C 104KT-N |
| C774 | 4030007170 | S.CERAMIC C1608 CH 1H 221J-T-A |
| C775 | 4030007170 | S.CERAMIC C1608 CH 1H 221J-T-A |
| C776 | 4030006880 | S.CERAMIC C1608 JB 1H 472K-T-A |
| C777 | 4030011600 | S.CERAMIC C1608 JB 1C 104KT-N |
| C778 | 4510004630 | S.ELECTROLYTIC ECEV1CA100SR |
| C779 | 4030007130 | S.CERAMIC C1608 CH 1H 101J-T-A |
| C792 | 4030011600 | S.CERAMIC C1608 JB 1C 104KT-N |
| C793 | 4510004630 | S.ELECTROLYTIC ECEV1CA100SR |
| C794 | 4030011600 | S.CERAMIC C1608 JB 1C 104KT-N |
| C795 | 4510004630 | S.ELECTROLYTIC ECEV1CA100SR |
| C796 | 4030006860 | S.CERAMIC C1608 JB 1H 102K-T-A |
| C797 | 4030011600 | S.CERAMIC C1608 JB 1C 104KT-N |
| C798 | 4510004630 | S.ELECTROLYTIC ECEV1CA100SR |
| C800 | 4030006850 | S.CERAMIC C1608 JB 1H 471K-T-A |
| C801 | 4510004630 | S.ELECTROLYTIC ECEV1CA100SR |
| C811 | 4030011600 | S.CERAMIC C1608 JB 1C 104KT-N |
| C821 | 4030006880 | S.CERAMIC C1608 JB 1H 472K-T-A |
| C822 | 4030006880 | S.CERAMIC C1608 JB 1H 472K-T-A |
| C823 | 4030006880 | S.CERAMIC C1608 JB 1H 472K-T-A |
| C824 | 4030011600 | S.CERAMIC C1608 JB 1C 104KT-N |
| C831 | 4510005810 | S.ELECTROLYTIC ECEV1HAR47R |
| C841 | 4030006880 | S.CERAMIC C1608 JB 1H 472K-T-A |
| C842 | 4030007130 | S.CERAMIC C1608 CH 1H 101J-T-A |
| C843 | 4030011600 | S.CERAMIC C1608 JB 1C 104KT-N |
| C844 | 4510004630 | S.ELECTROLYTIC ECEV1CA100SR |
| C845 | 4510004630 | S.ELECTROLYTIC ECEV1CA100SR |
| C846 | 4510005860 | S.ELECTROLYTIC ECEV1HA2R2SR |
| C847 | 4510004430 | S.ELECTROLYTIC ECEV1CV220WR |
| C861 | 4030006880 | S.CERAMIC C1608 JB 1H 472K-T-A |
| C862 | 4030006880 | S.CERAMIC C1608 JB 1H 472K-T-A |
| C863 | 4030006880 | S.CERAMIC C1608 JB 1H 472K-T-A |
| C864 | 4030011600 | S.CERAMIC C1608 JB 1C 104KT-N |
| C865 | 4030006880 | S.CERAMIC C1608 JB 1H 472K-T-A |
| C866 | 4030006880 | S.CERAMIC C1608 JB 1H 472K-T-A |
| C867 | 4030011600 | S.CERAMIC C1608 JB 1C 104KT-N |
| C868 | 4030007150 | S.CERAMIC C1608 CH 1H 151J-T-A |
| C869 | 4510004430 | S.ELECTROLYTIC ECEV1CV220WR |
| C870 | 4030007050 | S.CERAMIC C1608 CH 1H 220J-T-A |
| C871 | 4510004640 | S.ELECTROLYTIC ECEV1CA470SP |
| C872 | 4030011600 | S.CERAMIC C1608 JB 1C 104KT-N |
| C873 | 4510004630 | S.ELECTROLYTIC ECEV1CA100SR |
| C891 | 4030011600 | S.CERAMIC C1608 JB 1C 104KT-N |
| C892 | 4510004630 | S.ELECTROLYTIC ECEV1CA100SR |
| C893 | 4030006880 | S.CERAMIC C1608 JB 1H 472K-T-A |
| C894 | 4030006880 | S.CERAMIC C1608 JB 1H 472K-T-A |
| C895 | 4030011600 | S.CERAMIC C1608 JB 1C 104KT-N |
| C896 | 4510004440 | S.ELECTROLYTIC ECEV1HA010SR |
| C897 | 4510004440 | S.ELECTROLYTIC ECEV1HA010SR |
| C898 | 4030006900 | S.CERAMIC C1608 JB 1E 103K-T-A |
| C899 | 4510004440 | S.ELECTROLYTIC ECEV1HA010SR |
| C900 | 4030006880 | S.CERAMIC C1608 JB 1H 472K-T-A |
| C901 | 4030007110 | S.CERAMIC C1608 CH 1H 680J-T-A |
| C902 | 4030007100 | S.CERAMIC C1608 CH 1H 560J-T-A |
| C903 | 4610002070 | S.TRIMMER CTZ3S-30C-W1-P-A |
| C904 | 4030007150 | S.CERAMIC C1608 CH 1H 151J-T-A |
| C905 | 4030007150 | S.CERAMIC C1608 CH 1H 151J-T-A |
| C906 | 4030007150 | S.CERAMIC C1608 CH 1H 151J-T-A |
| C907 | 4030006880 | S.CERAMIC C1608 JB 1H 472K-T-A |
| C908 | 4030007030 | S.CERAMIC C1608 CH 1H 150J-T-A |
| C909 | 4030006880 | S.CERAMIC C1608 JB 1H 472K-T-A |
| C910 | 4030006880 | S.CERAMIC C1608 JB 1H 472K-T-A |
| C911 | 4510004630 | S.ELECTROLYTIC ECEV1CA100SR |
| C912 | 4030011600 | S.CERAMIC C1608 JB 1C 104KT-N |
| C931 | 4030011600 | S.CERAMIC C1608 JB 1C 104KT-N |

[MAIN UNIT]

| REF NO. | ORDER NO. | DESCRIPTION |
|---------|------------|--------------------------------|
| C932 | 4030006900 | S.CERAMIC C1608 JB 1E 103K-T-A |
| C933 | 4030006900 | S.CERAMIC C1608 JB 1E 103K-T-A |
| C941 | 4030007130 | S.CERAMIC C1608 CH 1H 101J-T-A |
| C951 | 4510004630 | S.ELECTROLYTIC ECEV1CA100SR |
| C961 | 4510004630 | S.ELECTROLYTIC ECEV1CA100SR |
| C971 | 4030006880 | S.CERAMIC C1608 JB 1H 472K-T-A |
| C981 | 4030006860 | S.CERAMIC C1608 JB 1H 102K-T-A |
| C982 | 4510004440 | S.ELECTROLYTIC ECEV1HA010SR |
| C984 | 4510005830 | S.ELECTROLYTIC ECEV1HAN010R |
| C1033 | 4030006900 | S.CERAMIC C1608 JB 1E 103K-T-A |
| C1034 | 4030006900 | S.CERAMIC C1608 JB 1E 103K-T-A |
| C1041 | 4510004630 | S.ELECTROLYTIC ECEV1CA100SR |
| C1042 | 4510004630 | S.ELECTROLYTIC ECEV1CA100SR |
| C1051 | 4510004630 | S.ELECTROLYTIC ECEV1CA100SR |
| C1052 | 4030011600 | S.CERAMIC C1608 JB 1C 104KT-N |
| C1053 | 4510004630 | S.ELECTROLYTIC ECEV1CA100SR |
| C1054 | 4510004440 | S.ELECTROLYTIC ECEV1HA010SR |
| C1055 | 4030011600 | S.CERAMIC C1608 JB 1C 104KT-N |
| C1061 | 4510005860 | S.ELECTROLYTIC ECEV1HA2R2SR |
| C1062 | 4030010020 | S.CERAMIC C1608 JB 1H 122K-T-A |
| C1063 | 4510004440 | S.ELECTROLYTIC ECEV1HA010SR |
| C1064 | 4510004630 | S.ELECTROLYTIC ECEV1CA100SR |
| C1065 | 4510004630 | S.ELECTROLYTIC ECEV1CA100SR |
| C1066 | 4510004630 | S.ELECTROLYTIC ECEV1CA100SR |
| C1067 | 4510005830 | S.ELECTROLYTIC ECEV1HAN010R |
| C1068 | 4510004630 | S.ELECTROLYTIC ECEV1CA100SR |
| C1069 | 4510004440 | S.ELECTROLYTIC ECEV1HA010SR |
| C1081 | 4510004440 | S.ELECTROLYTIC ECEV1HA010SR |
| C1082 | 4510004630 | S.ELECTROLYTIC ECEV1CA100SR |
| C1083 | 4510004440 | S.ELECTROLYTIC ECEV1HA010SR |
| C1084 | 4030011600 | S.CERAMIC C1608 JB 1C 104KT-N |
| C1085 | 4510004630 | S.ELECTROLYTIC ECEV1CA100SR |
| C1086 | 4510005830 | S.ELECTROLYTIC ECEV1HAN010R |
| C1087 | 4510004630 | S.ELECTROLYTIC ECEV1CA100SR |
| C1088 | 4510004630 | S.ELECTROLYTIC ECEV1CA100SR |
| C1089 | 4510004630 | S.ELECTROLYTIC ECEV1CA100SR |
| C1090 | 4510004630 | S.ELECTROLYTIC ECEV1CA100SR |
| C1091 | 4510004630 | S.ELECTROLYTIC ECEV1CA100SR |
| C1092 | 4030006850 | S.CERAMIC C1608 JB 1H 471K-T-A |
| C1101 | 4510004590 | ELECTROLYTIC 16 MV 470 HC |
| C1102 | 4510006220 | S.ELECTROLYTIC ECEV1CA101UP |
| C1103 | 4510004630 | S.ELECTROLYTIC ECEV1CA100SR |
| C1104 | 4030006880 | S.CERAMIC C1608 JB 1H 472K-T-A |
| C1105 | 4030011600 | S.CERAMIC C1608 JB 1C 104KT-N |
| C1106 | 4510004590 | ELECTROLYTIC 16 MV 470 HC |
| C1107 | 4510004590 | ELECTROLYTIC 16 MV 470 HC |
| C1108 | 4030008920 | S.CERAMIC C1608 JB 1C 473K-T-A |
| C1111 | 4030006880 | S.CERAMIC C1608 JB 1H 472K-T-A |
| C1112 | 4030006880 | S.CERAMIC C1608 JB 1H 472K-T-A |
| C1113 | 4030006880 | S.CERAMIC C1608 JB 1H 472K-T-A |
| C1121 | 4030006850 | S.CERAMIC C1608 JB 1H 471K-T-A |
| C1124 | 4030007130 | S.CERAMIC C1608 CH 1H 101J-T-A |
| C1125 | 4030011600 | S.CERAMIC C1608 JB 1C 104KT-N |
| C1126 | 4030006850 | S.CERAMIC C1608 JB 1H 471K-T-A |
| C1127 | 4030008920 | S.CERAMIC C1608 JB 1C 473K-T-A |
| C1128 | 4030006850 | S.CERAMIC C1608 JB 1H 471K-T-A |
| C1129 | 4510005830 | S.ELECTROLYTIC ECEV1HAN010R |
| C1130 | 4030006880 | S.CERAMIC C1608 JB 1H 472K-T-A |
| C1131 | 4510005860 | S.ELECTROLYTIC ECEV1HA2R2SR |
| C1132 | 4030011600 | S.CERAMIC C1608 JB 1C 104KT-N |
| C1133 | 4510004640 | S.ELECTROLYTIC ECEV1CA470SP |
| C1134 | 4510004630 | S.ELECTROLYTIC ECEV1CA100SR |
| C1135 | 4030008910 | S.CERAMIC C1608 JB 1C 393K-T-A |
| C1136 | 4510005830 | S.ELECTROLYTIC ECEV1HAN010R |
| C1137 | 4030011600 | S.CERAMIC C1608 JB 1C 104KT-N |
| C1138 | 4030011600 | S.CERAMIC C1608 JB 1C 104KT-N |
| C1139 | 4030011600 | S.CERAMIC C1608 JB 1C 104KT-N |
| C1140 | 4510005860 | S.ELECTROLYTIC ECEV1HA2R2SR |
| C1141 | 4510004630 | S.ELECTROLYTIC ECEV1CA100SR |
| C1142 | 4510004630 | S.ELECTROLYTIC ECEV1CA100SR |
| C1143 | 4510004440 | S.ELECTROLYTIC ECEV1HA010SR |
| C1144 | 4030011600 | S.CERAMIC C1608 JB 1C 104KT-N |
| C1161 | 4030011600 | S.CERAMIC C1608 JB 1C 104KT-N |
| C1162 | 4030011600 | S.CERAMIC C1608 JB 1C 104KT-N |
| C1163 | 4030011600 | S.CERAMIC C1608 JB 1C 104KT-N |
| C1164 | 4510004630 | S.ELECTROLYTIC ECEV1CA100SR |
| C1165 | 4030011600 | S.CERAMIC C1608 JB 1C 104KT-N |
| C1166 | 4030006860 | S.CERAMIC C1608 JB 1H 102K-T-A |
| C1167 | 4030006870 | S.CERAMIC C1608 JB 1H 222K-T-A |
| C1168 | 4030007140 | S.CERAMIC C1608 CH 1H 121J-T-A |
| C1191 | 4510004630 | S.ELECTROLYTIC ECEV1CA100SR |
| C1192 | 4510004630 | S.ELECTROLYTIC ECEV1CA100SR |

S.=Surface mount

[MAIN UNIT]

| REF NO. | ORDER NO. | DESCRIPTION | |
|---------|------------|----------------|----------------------|
| C1743 | 4030006880 | S.CERAMIC | C1608 JB 1H 472K-T-A |
| C1744 | 4030006880 | S.CERAMIC | C1608 JB 1H 472K-T-A |
| C1745 | 4030006880 | S.CERAMIC | C1608 JB 1H 472K-T-A |
| C1746 | 4030006880 | S.CERAMIC | C1608 JB 1H 472K-T-A |
| C1747 | 4030006880 | S.CERAMIC | C1608 JB 1H 472K-T-A |
| C1748 | 4030006880 | S.CERAMIC | C1608 JB 1H 472K-T-A |
| C1749 | 4030006880 | S.CERAMIC | C1608 JB 1H 472K-T-A |
| C1750 | 4030006880 | S.CERAMIC | C1608 JB 1H 472K-T-A |
| C1751 | 4030006880 | S.CERAMIC | C1608 JB 1H 472K-T-A |
| C1752 | 4030006880 | S.CERAMIC | C1608 JB 1H 472K-T-A |
| C1753 | 4030006880 | S.CERAMIC | C1608 JB 1H 472K-T-A |
| C1754 | 4510004590 | ELECTROLYTIC | 16 MV 470 HC |
| C1790 | 4030011600 | S.CERAMIC | C1608 JB 1C 104KT-N |
| C1791 | 4510004440 | S.ELECTROLYTIC | ECEV1HA010SR |
| C1801 | 4030011600 | S.CERAMIC | C1608 JB 1C 104KT-N |
| C1802 | 4030007130 | S.CERAMIC | C1608 CH 1H 101J-T-A |
| C1803 | 4030007130 | S.CERAMIC | C1608 CH 1H 101J-T-A |
| C1804 | 4030007130 | S.CERAMIC | C1608 CH 1H 101J-T-A |
| C1805 | 4030011600 | S.CERAMIC | C1608 JB 1C 104KT-N |
| C1806 | 4030006860 | S.CERAMIC | C1608 JB 1H 102K-T-A |
| C1807 | 4030010040 | S.CERAMIC | C1608 JB 1H 561K-T-A |
| C1808 | 4030007130 | S.CERAMIC | C1608 CH 1H 101J-T-A |
| C1809 | 4030007130 | S.CERAMIC | C1608 CH 1H 101J-T-A |
| C1810 | 4030007130 | S.CERAMIC | C1608 CH 1H 101J-T-A |
| C1811 | 4030007130 | S.CERAMIC | C1608 CH 1H 101J-T-A |
| C1812 | 4030007130 | S.CERAMIC | C1608 CH 1H 101J-T-A |
| C1813 | 4030007130 | S.CERAMIC | C1608 CH 1H 101J-T-A |
| C1814 | 4030007130 | S.CERAMIC | C1608 CH 1H 101J-T-A |
| C1815 | 4030007130 | S.CERAMIC | C1608 CH 1H 101J-T-A |
| C1818 | 4030011600 | S.CERAMIC | C1608 JB 1C 104KT-N |
| C1819 | 4030011600 | S.CERAMIC | C1608 JB 1C 104KT-N |
| C1820 | 4030011600 | S.CERAMIC | C1608 JB 1C 104KT-N |
| C1821 | 4030007130 | S.CERAMIC | C1608 CH 1H 101J-T-A |
| C1822 | 4030011600 | S.CERAMIC | C1608 JB 1C 104KT-N |
| C1823 | 4030007130 | S.CERAMIC | C1608 CH 1H 101J-T-A |
| C1825 | 4030007130 | S.CERAMIC | C1608 CH 1H 101J-T-A |
| C1826 | 4030007130 | S.CERAMIC | C1608 CH 1H 101J-T-A |
| C1827 | 4030007130 | S.CERAMIC | C1608 CH 1H 101J-T-A |
| C1828 | 4030007130 | S.CERAMIC | C1608 CH 1H 101J-T-A |
| C1829 | 4030007130 | S.CERAMIC | C1608 CH 1H 101J-T-A |
| C1830 | 4030006870 | S.CERAMIC | C1608 JB 1H 222K-T-A |
| C1831 | 4030006880 | S.CERAMIC | C1608 JB 1H 472K-T-A |
| C1832 | 4510005810 | S.ELECTROLYTIC | ECEV1HAR47R |
| C2001 | 4030006880 | S.CERAMIC | C1608 JB 1H 472K-T-A |
| C2002 | 4030006880 | S.CERAMIC | C1608 JB 1H 472K-T-A |
| C2003 | 4030006880 | S.CERAMIC | C1608 JB 1H 472K-T-A |
| C2004 | 4030006880 | S.CERAMIC | C1608 JB 1H 472K-T-A |
| C2005 | 4030006880 | S.CERAMIC | C1608 JB 1H 472K-T-A |
| C2006 | 4030006880 | S.CERAMIC | C1608 JB 1H 472K-T-A |
| C2007 | 4030006880 | S.CERAMIC | C1608 JB 1H 472K-T-A |
| C2008 | 4030006880 | S.CERAMIC | C1608 JB 1H 472K-T-A |
| C2009 | 4030006880 | S.CERAMIC | C1608 JB 1H 472K-T-A |
| C2010 | 4030006880 | S.CERAMIC | C1608 JB 1H 472K-T-A |
| C2011 | 4030006880 | S.CERAMIC | C1608 JB 1H 472K-T-A |
| C2012 | 4030006880 | S.CERAMIC | C1608 JB 1H 472K-T-A |
| C2013 | 4030006880 | S.CERAMIC | C1608 JB 1H 472K-T-A |
| C2014 | 4030006880 | S.CERAMIC | C1608 JB 1H 472K-T-A |
| C2015 | 4030006880 | S.CERAMIC | C1608 JB 1H 472K-T-A |
| C2016 | 4030007170 | S.CERAMIC | C1608 CH 1H 221J-T-A |
| C2017 | 4030007170 | S.CERAMIC | C1608 CH 1H 221J-T-A |
| C2018 | 4030006880 | S.CERAMIC | C1608 JB 1H 472K-T-A |
| RL1111 | 6330001320 | RELAY | AHY103 |
| RL1271 | 6330000540 | RELAY | OMR-109F |
| RL1291 | 6330001320 | RELAY | AHY103 |
| J501 | 6510007020 | CONNECTOR | TMP-J01X-V6 |
| J502 | 6510019990 | S.CONNECTOR | 52808-2290 |
| J591 | 6450001560 | CONNECTOR | PD-72 |
| J592 | 6450001560 | CONNECTOR | PD-72 |
| J593 | 6450001560 | CONNECTOR | PD-72 |
| J594 | 6450001560 | CONNECTOR | PD-72 |
| J601 | 6450001560 | CONNECTOR | PD-72 |
| J602 | 6450001560 | CONNECTOR | PD-72 |
| J603 | 6450001560 | CONNECTOR | PD-72 |
| J604 | 6450001560 | CONNECTOR | PD-72 |
| J731 | 6450001560 | CONNECTOR | PD-72 |
| J732 | 6450001560 | CONNECTOR | PD-72 |
| J733 | 6450001560 | CONNECTOR | PD-72 |
| J734 | 6450001560 | CONNECTOR | PD-72 |

[MAIN UNIT]

| REF NO. | ORDER NO. | DESCRIPTION | |
|---------|------------|-------------|-----------------|
| J921 | 6510007020 | CONNECTOR | TMP-J01X-V6 |
| J1031 | 6510007020 | CONNECTOR | TMP-J01X-V6 |
| J1111 | 6450000140 | CONNECTOR | HSJ0807-01-010 |
| J1112 | 6510018960 | S.CONNECTOR | B2B-PH-SM3-TB |
| J1241 | 6510018970 | S.CONNECTOR | B4B-PH-SM3-TB |
| J1261 | 6450000140 | CONNECTOR | HSJ0807-01-010 |
| J1271 | 6450001130 | CONNECTOR | JPJ2042-01-110 |
| J1311 | 6450000160 | CONNECTOR | TCS4470-01-1111 |
| J1312 | 6450000170 | CONNECTOR | TCS4480-01-1111 |
| J1331 | 6510020000 | S.CONNECTOR | 52808-3090 |
| J1332 | 6510019990 | S.CONNECTOR | 52808-2290 |
| J1333 | 6510019990 | S.CONNECTOR | 52808-2290 |
| J1334 | 6510019990 | S.CONNECTOR | 52808-2290 |
| J1701 | 6510019190 | S.CONNECTOR | 52365-0891 |
| J1702 | 6510018950 | S.CONNECTOR | B7B-PH-SM3-TB |
| W1 | 7030003860 | S.JUMPER | ERJ3GE JPW V |
| W661 | 7030003860 | S.JUMPER | ERJ3GE JPW V |
| W1261 | 7030003860 | S.JUMPER | ERJ3GE JPW V |
| W1592 | 7030003860 | S.JUMPER | ERJ3GE JPW V |
| W1701 | 7030003860 | S.JUMPER | ERJ3GE JPW V |
| W1702 | 7030003860 | S.JUMPER | ERJ3GE JPW V |
| W1703 | 7030003860 | S.JUMPER | ERJ3GE JPW V |
| W1705 | 7030003860 | S.JUMPER | ERJ3GE JPW V |
| EP1 | 0910049437 | PCB | B 5083G |

[RF UNIT]

| REF NO. | ORDER NO. | DESCRIPTION | |
|---------|------------|--------------|-------------------|
| IC151 | 1110001890 | S.IC | µPC1678G-E2 |
| IC161 | 1110004100 | S.IC | TA4001F (TE85L) |
| IC191 | 1110003970 | S.IC | µPC1658G-E1 |
| IC321 | 1130007510 | S.IC | BU4094BCFV-E1 |
| IC322 | 1130007510 | S.IC | BU4094BCFV-E1 |
| IC323 | 1160000130 | S.IC | TD62783AF (TP1) |
| IC324 | 1160000130 | S.IC | TD62783AF (TP1) |
| IC1001 | 1130007510 | S.IC | BU4094BCFV-E1 |
| IC1051 | 1180000420 | S.IC | TA78L05F (TE12R) |
| IC1081 | 1130006440 | S.IC | TC7S08F (TE85R) |
| IC1101 | 1140003641 | S.IC | SC-1246 |
| IC1102 | 1130006440 | S.IC | TC7S08F (TE85R) |
| IC1601 | 1140004550 | S.IC | M65343FP/SC1287 |
| IC1701 | 1140004550 | S.IC | M65343FP/SC1287 |
| IC1801 | 1110004320 | S.IC | MC145170DR2 |
| IC1802 | 1110001890 | S.IC | µPC1678G-E2 |
| Q1 | 1590002310 | S.TRANSISTOR | DTC114EE TL |
| Q2 | 1590002310 | S.TRANSISTOR | DTC114EE TL |
| Q121 | 1590002310 | S.TRANSISTOR | DTC114EE TL |
| Q122 | 1590002310 | S.TRANSISTOR | DTC114EE TL |
| Q123 | 1580000630 | S.FET | 3SK228XR-TL |
| Q181 | 1560000720 | S.FET | 2SK2171-4-TD |
| Q182 | 1560000720 | S.FET | 2SK2171-4-TD |
| Q211 | 1560000640 | S.FET | 2SK1740-TA |
| Q212 | 1560000640 | S.FET | 2SK1740-TA |
| Q241 | 1580000620 | S.FET | 3SK131-T2 MAS |
| Q242 | 1590001870 | S.TRANSISTOR | DTA114EE TL |
| Q243 | 1590002310 | S.TRANSISTOR | DTC114EE TL |
| Q271 | 1560000560 | S.FET | 2SK882-GR (TE85L) |
| Q301 | 1530003150 | S.TRANSISTOR | 2SC4673D-TD |
| Q302 | 1590001870 | S.TRANSISTOR | DTA114EE TL |
| Q303 | 1590002310 | S.TRANSISTOR | DTC114EE TL |
| Q321 | 1590001870 | S.TRANSISTOR | DTA114EE TL |
| Q322 | 1590002310 | S.TRANSISTOR | DTC114EE TL |
| Q323 | 1590002310 | S.TRANSISTOR | DTC114EE TL |
| Q324 | 1590002310 | S.TRANSISTOR | DTC114EE TL |
| Q325 | 1590002310 | S.TRANSISTOR | DTC114EE TL |
| Q328 | 1590002310 | S.TRANSISTOR | DTC114EE TL |
| Q1001 | 1530002060 | S.TRANSISTOR | 2SC4081 T107 R |
| Q1003 | 1590002420 | S.TRANSISTOR | UMD3N TL |
| Q1051 | 1530002060 | S.TRANSISTOR | 2SC4081 T107 R |
| Q1071 | 1560000560 | S.FET | 2SK882-GR (TE85L) |
| Q1101 | 1530002060 | S.TRANSISTOR | 2SC4081 T107 R |

S.=Surface mount

[RF UNIT]

| REF NO. | ORDER NO. | DESCRIPTION |
|---------|------------|--------------------------------|
| Q1102 | 1530002060 | S.TRANSISTOR 2SC4081 T107 R |
| Q1103 | 1530002060 | S.TRANSISTOR 2SC4081 T107 R |
| Q1201 | 1560000490 | S.FET 2SK508 K52 T2B |
| Q1202 | 1530003090 | S.TRANSISTOR 2SC4213-B (TE85R) |
| Q1221 | 1560000490 | S.FET 2SK508 K52 T2B |
| Q1222 | 1530003090 | S.TRANSISTOR 2SC4213-B (TE85R) |
| Q1241 | 1560000490 | S.FET 2SK508 K52 T2B |
| Q1242 | 1530003090 | S.TRANSISTOR 2SC4213-B (TE85R) |
| Q1261 | 1560000490 | S.FET 2SK508 K52 T2B |
| Q1262 | 1530003090 | S.TRANSISTOR 2SC4213-B (TE85R) |
| Q1281 | 1530002570 | S.TRANSISTOR 2SC4405-3-TL |
| Q1301 | 1560000330 | S.FET 2SK210-GR (TE85R) |
| Q1302 | 1530002060 | S.TRANSISTOR 2SC4081 T107 R |
| Q1401 | 1530002920 | S.TRANSISTOR 2SC4226-T2 R25 |
| Q1402 | 1590001870 | S.TRANSISTOR DTA114EE TL |
| Q1521 | 1590002420 | S.TRANSISTOR UMD3N TL |
| Q1561 | 1590002420 | S.TRANSISTOR UMD3N TL |
| Q1581 | 1590002420 | S.TRANSISTOR UMD3N TL |
| Q1601 | 1530002060 | S.TRANSISTOR 2SC4081 T107 R |
| Q1701 | 1530002060 | S.TRANSISTOR 2SC4081 T107 R |
| Q1801 | 1590002420 | S.TRANSISTOR UMD3N TL |
| Q1901 | 1530002560 | S.TRANSISTOR 2SC4403-3-TL |
| Q1902 | 1530002060 | S.TRANSISTOR 2SC4081 T107 R |
| Q1903 | 1530002060 | S.TRANSISTOR 2SC4081 T107 R |
| Q1904 | 1530002560 | S.TRANSISTOR 2SC4403-3-TL |
| D1 | 1750000300 | S.DIODE 1SS302 (TE85R) |
| D2 | 1750000300 | S.DIODE 1SS302 (TE85R) |
| D3 | 1750000450 | S.DIODE 1SV265-TL |
| D11 | 1790000620 | S.DIODE MA77(TX) |
| D31 | 1750000450 | S.DIODE 1SV265-TL |
| D32 | 1790000450 | S.DIODE MA862(TX) |
| D51 | 1750000450 | S.DIODE 1SV265-TL |
| D52 | 1790000450 | S.DIODE MA862(TX) |
| D71 | 1750000450 | S.DIODE 1SV265-TL |
| D72 | 1790000450 | S.DIODE MA862(TX) |
| D91 | 1750000450 | S.DIODE 1SV265-TL |
| D92 | 1790000450 | S.DIODE MA862(TX) |
| D111 | 1750000450 | S.DIODE 1SV265-TL |
| D112 | 1790000450 | S.DIODE MA862(TX) |
| D121 | 1750000300 | S.DIODE 1SS302 (TE85R) |
| D122 | 1750000300 | S.DIODE 1SS302 (TE85R) |
| D123 | 1790000450 | S.DIODE MA862(TX) |
| D124 | 1720000390 | S.VARICAP KV1470TL |
| D125 | 1790000620 | S.DIODE MA77(TX) |
| D126 | 1720000540 | S.VARICAP HVM17-01TR |
| D127 | 1720000390 | S.VARICAP KV1470TL |
| D128 | 1790000620 | S.DIODE MA77(TX) |
| D129 | 1720000540 | S.VARICAP HVM17-01TR |
| D130 | 1790000620 | S.DIODE MA77(TX) |
| D131 | 1790000620 | S.DIODE MA77(TX) |
| D132 | 1790000620 | S.DIODE MA77(TX) |
| D151 | 1750000440 | S.DIODE 1SV263-TL |
| D171 | 1790000450 | S.DIODE MA862(TX) |
| D181 | 1790000450 | S.DIODE MA862(TX) |
| D182 | 1790000450 | S.DIODE MA862(TX) |
| D201 | 1790000620 | S.DIODE MA77(TX) |
| D211 | 1790000620 | S.DIODE MA77(TX) |
| D251 | 1790000450 | S.DIODE MA862(TX) |
| D261 | 1750000430 | S.DIODE HSB88WSTR |
| D271 | 1750000430 | S.DIODE HSB88WSTR |
| D281 | 1790000620 | S.DIODE MA77(TX) |
| D301 | 1790000450 | S.DIODE MA862(TX) |
| D302 | 1790000450 | S.DIODE MA862(TX) |
| D303 | 1790000450 | S.DIODE MA862(TX) |
| D304 | 1750000520 | S.DIODE DAN222TL |
| D321 | 1750000520 | S.DIODE DAN222TL |
| D322 | 1750000520 | S.DIODE DAN222TL |
| D323 | 1750000520 | S.DIODE DAN222TL |
| D324 | 1750000520 | S.DIODE DAN222TL |
| D1001 | 1750000520 | S.DIODE DAN222TL |
| D1003 | 1750000520 | S.DIODE DAN222TL |
| D1004 | 1750000520 | S.DIODE DAN222TL |
| D1201 | 1790000540 | S.VARICAP MA338(TX) |
| D1221 | 1790000540 | S.VARICAP MA338(TX) |
| D1241 | 1720000390 | S.VARICAP KV1470TL |
| D1261 | 1720000390 | S.VARICAP KV1470TL |
| D1301 | 1720000590 | S.VARICAP MA357(TX) |
| D1302 | 1790000490 | S.DIODE HSM88AS-TR |
| D1303 | 1790000490 | S.DIODE HSM88AS-TR |
| D1401 | 1750000230 | S.DIODE 1SS315 TPH-3 |

[RF UNIT]

| REF NO. | ORDER NO. | DESCRIPTION |
|---------|------------|-------------------------------|
| D1402 | 1790000620 | S.DIODE MA77(TX) |
| D1403 | 1750000230 | S.DIODE 1SS315 TPH-3 |
| D1502 | 1750000210 | S.DIODE 1SV237 (TE85R) |
| D1503 | 1790000620 | S.DIODE MA77(TX) |
| D1504 | 1750000210 | S.DIODE 1SV237 (TE85R) |
| D1505 | 1750000520 | S.DIODE DAN222TL |
| D1801 | 1790000620 | S.DIODE MA77(TX) |
| D1901 | 1720000590 | S.VARICAP MA357(TX) |
| FI231 | 2010001010 | FILTER 69M15B (FL-120) |
| FI1101 | 2020001420 | S.CERAMIC SFECA10.7MA5-D |
| X1901 | 6050005711 | CRYSTAL CR-275A (30.0000 MHz) |
| L1 | 6200003240 | S.COIL NL 322522T-221J |
| L2 | 6200003240 | S.COIL NL 322522T-221J |
| L3 | 6200000510 | S.COIL MLF3216E 5R6M-T |
| L4 | 6200000500 | S.COIL MLF3216A 4R7M-T |
| L5 | 6200003260 | S.COIL NL 322522T-101J |
| L11 | 6200002960 | S.COIL NL 322522T-4R7J-3 |
| L12 | 6200003110 | S.COIL NL 322522T-6R8J |
| L13 | 6200003240 | S.COIL NL 322522T-221J |
| L21 | 6200003240 | S.COIL NL 322522T-221J |
| L22 | 6200003090 | S.COIL NL 322522T-2R7J-3 |
| L23 | 6200003100 | S.COIL NL 322522T-3R9J-3 |
| L24 | 6200003240 | S.COIL NL 322522T-221J |
| L31 | 6200003260 | S.COIL NL 322522T-101J |
| L32 | 6200002990 | S.COIL NL 322522T-2R2J-3 |
| L33 | 6200002990 | S.COIL NL 322522T-2R2J-3 |
| L34 | 6200003320 | S.COIL NL 322522T-3R3J-3 |
| L35 | 6200002960 | S.COIL NL 322522T-4R7J-3 |
| L41 | 6200003260 | S.COIL NL 322522T-101J |
| L42 | 6200003080 | S.COIL NL 322522T-1R8J-3 |
| L43 | 6200003060 | S.COIL NL 322522T-1R2J-3 |
| L44 | 6200003070 | S.COIL NL 322522T-1R5J-3 |
| L45 | 6200003070 | S.COIL NL 322522T-1R5J-3 |
| L51 | 6200003260 | S.COIL NL 322522T-101J |
| L52 | 6200003060 | S.COIL NL 322522T-1R2J-3 |
| L53 | 6200003330 | S.COIL NL 322522T-1R0J-3 |
| L54 | 6200003330 | S.COIL NL 322522T-1R0J-3 |
| L55 | 6200003080 | S.COIL NL 322522T-1R8J-3 |
| L61 | 6200003260 | S.COIL NL 322522T-101J |
| L62 | 6200003250 | S.COIL NL 322522T-R39J-3 |
| L63 | 6200002980 | S.COIL NL 322522T-R56J-3 |
| L64 | 6200003040 | S.COIL NL 322522T-R68J-3 |
| L65 | 6200003330 | S.COIL NL 322522T-1R0J-3 |
| L71 | 6200001830 | S.COIL NL 322522T-100J |
| L72 | 6200003020 | S.COIL NL 322522T-R33J-3 |
| L73 | 6200003250 | S.COIL NL 322522T-R39J-3 |
| L74 | 6200003030 | S.COIL NL 322522T-R47J-3 |
| L75 | 6200003030 | S.COIL NL 322522T-R47J-3 |
| L81 | 6200001830 | S.COIL NL 322522T-100J |
| L82 | 6200003020 | S.COIL NL 322522T-R33J-3 |
| L83 | 6200003010 | S.COIL NL 322522T-R27J-3 |
| L84 | 6200003020 | S.COIL NL 322522T-R33J-3 |
| L85 | 6200003030 | S.COIL NL 322522T-R47J-3 |
| L91 | 6200001830 | S.COIL NL 322522T-100J |
| L92 | 6200003420 | S.COIL NL 322522T-R15J-3 |
| L93 | 6200003420 | S.COIL NL 322522T-R15J-3 |
| L94 | 6200003420 | S.COIL NL 322522T-R15J-3 |
| L95 | 6200003420 | S.COIL NL 322522T-R15J-3 |
| L96 | 6200001470 | S.COIL NL 322522T-R12J-3 |
| L101 | 6200001830 | S.COIL NL 322522T-100J |
| L102 | 6200003420 | S.COIL NL 322522T-R15J-3 |
| L103 | 6200003020 | S.COIL NL 322522T-R33J-3 |
| L104 | 6200001830 | S.COIL NL 322522T-100J |
| L112 | 6180002960 | S.COIL NL 322522T-R18J-3 |
| L113 | 6180002960 | S.COIL NL 322522T-R18J-3 |
| L114 | 6180002960 | S.COIL NL 322522T-R18J-3 |
| L115 | 6200003330 | S.COIL NL 322522T-1R0J-3 |
| L121 | 6200003440 | S.COIL ELJNC 39NK-F |
| L122 | 6200004740 | S.COIL NL 252018T-1R2J |
| L123 | 6150002810 | COIL LS-291 |
| L124 | 6200004740 | S.COIL NL 252018T-1R2J |
| L125 | 6150002810 | COIL LS-291 |
| L126 | 6200001830 | S.COIL NL 322522T-100J |
| L127 | 6200004740 | S.COIL NL 252018T-1R2J |
| L128 | 6200002150 | S.COIL ELJNC 56NK-F |
| L129 | 6200004740 | S.COIL NL 252018T-1R2J |

S.=Surface mount

[RF UNIT]

| REF NO. | ORDER NO. | | DESCRIPTION |
|---------|------------|--------|-------------------|
| L141 | 6200003240 | S.COIL | NL 322522T-221J |
| L151 | 6200003240 | S.COIL | NL 322522T-221J |
| L152 | 6200001710 | S.COIL | NL 322522T-220J |
| L171 | 6200003240 | S.COIL | NL 322522T-221J |
| L172 | 6200003260 | S.COIL | NL 322522T-101J |
| L181 | 6140000640 | COIL | LR-86 |
| L182 | 6200002990 | S.COIL | NL 322522T-2R2J-3 |
| L183 | 6140001540 | COIL | LR-169 |
| L184 | 6200003260 | S.COIL | NL 322522T-101J |
| L191 | 6200003260 | S.COIL | NL 322522T-101J |
| L192 | 6200003260 | S.COIL | NL 322522T-101J |
| L211 | 6200003430 | S.COIL | NL 322522T-R10J |
| L212 | 6200003420 | S.COIL | NL 322522T-R15J-3 |
| L213 | 6140000930 | COIL | LR-116 |
| L214 | 6200003430 | S.COIL | NL 322522T-R10J |
| L215 | 6150001770 | COIL | LS-198 |
| L216 | 6200001830 | S.COIL | NL 322522T-100J |
| L231 | 6150004280 | COIL | LS-484B (C-14927) |
| L232 | 6150004280 | COIL | LS-484B (C-14927) |
| L241 | 6150004280 | COIL | LS-484B (C-14927) |
| L251 | 6150004280 | COIL | LS-484B (C-14927) |
| L252 | 6150004280 | COIL | LS-484B (C-14927) |
| L261 | 6140002810 | S.COIL | LR-317 |
| L262 | 6140002810 | S.COIL | LR-317 |
| L263 | 6200003040 | S.COIL | NL 322522T-R68J-3 |
| L271 | 6200003050 | S.COIL | NL 322522T-R82J-3 |
| L272 | 6150000991 | COIL | LS-424 |
| L285 | 6180002970 | S.COIL | NL 322522T-068J |
| L286 | 6180002980 | S.COIL | NL 322522T-056J |
| L289 | 6140003210 | S.COIL | LR-358 |
| L290 | 6140003210 | S.COIL | LR-358 |
| L301 | 6200003000 | S.COIL | NL 322522T-R22J-3 |
| L302 | 6200003020 | S.COIL | NL 322522T-R33J-3 |
| L303 | 6200001830 | S.COIL | NL 322522T-100J |
| L304 | 6200001760 | S.COIL | ELJNC 22NK-F |
| L305 | 6200002580 | S.COIL | NL 252018T-033J |
| L306 | 6200001630 | S.COIL | ELJNC R10K-F |
| L307 | 6200002640 | S.COIL | NL 252018T-R15J |
| L401 | 6200003260 | S.COIL | NL 322522T-101J |
| L1051 | 6200001830 | S.COIL | NL 322522T-100J |
| L1101 | 6200001830 | S.COIL | NL 322522T-100J |
| L1201 | 6170000230 | COIL | LW-25 |
| L1202 | 6190001340 | COIL | E523GN-4210244 |
| L1203 | 6170000230 | COIL | LW-25 |
| L1204 | 6200005010 | S.COIL | NL 252018T-100J |
| L1221 | 6170000230 | COIL | LW-25 |
| L1222 | 6190001340 | COIL | E523GN-4210244 |
| L1223 | 6170000230 | COIL | LW-25 |
| L1224 | 6200005010 | S.COIL | NL 252018T-100J |
| L1241 | 6170000230 | COIL | LW-25 |
| L1242 | 6190001330 | COIL | E523GN-3130153 |
| L1243 | 6170000230 | COIL | LW-25 |
| L1244 | 6200005010 | S.COIL | NL 252018T-100J |
| L1261 | 6170000230 | COIL | LW-25 |
| L1262 | 6190001330 | COIL | E523GN-3130153 |
| L1263 | 6170000230 | COIL | LW-25 |
| L1264 | 6200005010 | S.COIL | NL 252018T-100J |
| L1281 | 6200001830 | S.COIL | NL 322522T-100J |
| L1291 | 6200004590 | S.COIL | MLF1608D R18K-T |
| L1301 | 6130001850 | COIL | LB-185 |
| L1302 | 6200001830 | S.COIL | NL 322522T-100J |
| L1401 | 6200002960 | S.COIL | NL 322522T-4R7J-3 |
| L1402 | 6140002810 | S.COIL | LR-317 |
| L1403 | 6200003040 | S.COIL | NL 322522T-R68J-3 |
| L1406 | 6200003040 | S.COIL | NL 322522T-R68J-3 |
| L1408 | 6200003260 | S.COIL | NL 322522T-101J |
| L1410 | 6200003440 | S.COIL | ELJNC 39NK-F |
| L1412 | 6200004590 | S.COIL | MLF1608D R18K-T |
| L1521 | 6200002150 | S.COIL | ELJNC 56NK-F |
| L1522 | 6200001940 | S.COIL | ELJNC 27NK-F |
| L1523 | 6200001760 | S.COIL | ELJNC 22NK-F |
| L1530 | 6200003440 | S.COIL | ELJNC 39NK-F |
| L1561 | 6200001630 | S.COIL | ELJNC R10K-F |
| L1562 | 6200001630 | S.COIL | ELJNC R10K-F |
| L1563 | 6200001630 | S.COIL | ELJNC R10K-F |
| L1581 | 6200002150 | S.COIL | ELJNC 56NK-F |
| L1582 | 6200002160 | S.COIL | ELJNC 82NK-F |
| L1583 | 6200002160 | S.COIL | ELJNC 82NK-F |
| L1601 | 6200001830 | S.COIL | NL 322522T-100J |
| L1602 | 6200001830 | S.COIL | NL 322522T-100J |
| L1603 | 6200003140 | S.COIL | NL 322522T-150J |
| L1605 | 6200003170 | S.COIL | NL 322522T-330J |

[RF UNIT]

| REF NO. | ORDER NO. | | DESCRIPTION |
|---------|------------|------------|-------------------------|
| L1701 | 6200001830 | S.COIL | NL 322522T-100J |
| L1702 | 6200001830 | S.COIL | NL 322522T-100J |
| L1703 | 6200003140 | S.COIL | NL 322522T-150J |
| L1801 | 6200003020 | S.COIL | NL 322522T-R33J-3 |
| L1802 | 6200001770 | S.COIL | ELJNC 47NK-F |
| L1804 | 6140002220 | COIL | LR-270 |
| L1805 | 6200003260 | S.COIL | NL 322522T-101J |
| L1806 | 6200004770 | S.COIL | ELJNC R56J-F |
| L1901 | 6130001100 | COIL | LB-146 |
| L1902 | 6150004520 | S.COIL | LS-508 |
| L1903 | 6150004830 | S.COIL | LS-509 |
| L1904 | 6150004830 | S.COIL | LS-509 |
| L1905 | 6200001830 | S.COIL | NL 322522T-100J |
| L1908 | 6200003590 | S.COIL | EXCCL3225U1 |
| R1 | 7030003390 | S.RESISTOR | ERJ3GEYJ 391 V (390 Ω) |
| R2 | 7030003290 | S.RESISTOR | ERJ3GEYJ 560 V (56 Ω) |
| R3 | 7030003200 | S.RESISTOR | ERJ3GEYJ 100 V (10 Ω) |
| R4 | 7030006260 | S.RESISTOR | ERJ12YJ471H (470 Ω) |
| R5 | 7030003520 | S.RESISTOR | ERJ3GEYJ 472 V (4.7 kΩ) |
| R6 | 7030006260 | S.RESISTOR | ERJ12YJ471H (470 Ω) |
| R11 | 7030003320 | S.RESISTOR | ERJ3GEYJ 101 V (100 Ω) |
| R12 | 7030003310 | S.RESISTOR | ERJ3GEYJ 820 V (82 Ω) |
| R13 | 7030003320 | S.RESISTOR | ERJ3GEYJ 101 V (100 Ω) |
| R14 | 7030003320 | S.RESISTOR | ERJ3GEYJ 101 V (100 Ω) |
| R21 | 7030003320 | S.RESISTOR | ERJ3GEYJ 101 V (100 Ω) |
| R31 | 7030003320 | S.RESISTOR | ERJ3GEYJ 101 V (100 Ω) |
| R41 | 7030003320 | S.RESISTOR | ERJ3GEYJ 101 V (100 Ω) |
| R51 | 7030003320 | S.RESISTOR | ERJ3GEYJ 101 V (100 Ω) |
| R61 | 7030003320 | S.RESISTOR | ERJ3GEYJ 101 V (100 Ω) |
| R71 | 7030003320 | S.RESISTOR | ERJ3GEYJ 101 V (100 Ω) |
| R81 | 7030003320 | S.RESISTOR | ERJ3GEYJ 101 V (100 Ω) |
| R91 | 7030003320 | S.RESISTOR | ERJ3GEYJ 101 V (100 Ω) |
| R101 | 7030003320 | S.RESISTOR | ERJ3GEYJ 101 V (100 Ω) |
| R111 | 7030003320 | S.RESISTOR | ERJ3GEYJ 101 V (100 Ω) |
| R112 | 7030003220 | S.RESISTOR | ERJ3GEYJ 150 V (15 Ω) |
| R113 | 7030005390 | S.RESISTOR | RR0816P-102-D (1 kΩ) |
| R121 | 7030006260 | S.RESISTOR | ERJ12YJ471H (470 Ω) |
| R122 | 7030003380 | S.RESISTOR | ERJ3GEYJ 331 V (330 Ω) |
| R123 | 7030003280 | S.RESISTOR | ERJ3GEYJ 470 V (47 Ω) |
| R124 | 7030006260 | S.RESISTOR | ERJ12YJ471H (470 Ω) |
| R125 | 7030003680 | S.RESISTOR | ERJ3GEYJ 104 V (100 kΩ) |
| R126 | 7030003680 | S.RESISTOR | ERJ3GEYJ 104 V (100 kΩ) |
| R127 | 7030003560 | S.RESISTOR | ERJ3GEYJ 103 V (10 kΩ) |
| R128 | 7030003680 | S.RESISTOR | ERJ3GEYJ 104 V (100 kΩ) |
| R129 | 7030003670 | S.RESISTOR | ERJ3GEYJ 823 V (82 kΩ) |
| R130 | 7030003680 | S.RESISTOR | ERJ3GEYJ 104 V (100 kΩ) |
| R131 | 7030003320 | S.RESISTOR | ERJ3GEYJ 101 V (100 Ω) |
| R132 | 7030003280 | S.RESISTOR | ERJ3GEYJ 470 V (47 Ω) |
| R133 | 7030003680 | S.RESISTOR | ERJ3GEYJ 104 V (100 kΩ) |
| R134 | 7030003680 | S.RESISTOR | ERJ3GEYJ 104 V (100 kΩ) |
| R135 | 7030003560 | S.RESISTOR | ERJ3GEYJ 103 V (10 kΩ) |
| R136 | 7030003680 | S.RESISTOR | ERJ3GEYJ 104 V (100 kΩ) |
| R137 | 7030003400 | S.RESISTOR | ERJ3GEYJ 471 V (470 Ω) |
| R138 | 7030005390 | S.RESISTOR | RR0816P-102-D (1 kΩ) |
| R139 | 7030003680 | S.RESISTOR | ERJ3GEYJ 104 V (100 kΩ) |
| R140 | 7030003680 | S.RESISTOR | ERJ3GEYJ 104 V (100 kΩ) |
| R141 | 7030006260 | S.RESISTOR | ERJ12YJ471H (470 Ω) |
| R142 | 7030005390 | S.RESISTOR | RR0816P-102-D (1 kΩ) |
| R143 | 7030006070 | S.RESISTOR | ERJ12YJ101H (100 Ω) |
| R151 | 7030005390 | S.RESISTOR | RR0816P-102-D (1 kΩ) |
| R152 | 7030003360 | S.RESISTOR | ERJ3GEYJ 221 V (220 Ω) |
| R153 | 7030004040 | S.RESISTOR | ERJ3GEYJ 4R7 V (4.7 Ω) |
| R154 | 7030003370 | S.RESISTOR | ERJ3GEYJ 271 V (270 Ω) |
| R155 | 7030004040 | S.RESISTOR | ERJ3GEYJ 4R7 V (4.7 Ω) |
| R156 | 7030003380 | S.RESISTOR | ERJ3GEYJ 331 V (330 Ω) |
| R157 | 7030003200 | S.RESISTOR | ERJ3GEYJ 100 V (10 Ω) |
| R158 | 7030003320 | S.RESISTOR | ERJ3GEYJ 101 V (100 Ω) |
| R159 | 7030003400 | S.RESISTOR | ERJ3GEYJ 471 V (470 Ω) |
| R160 | 7030003200 | S.RESISTOR | ERJ3GEYJ 100 V (10 Ω) |
| R161 | 7030003400 | S.RESISTOR | ERJ3GEYJ 471 V (470 Ω) |
| R171 | 7030006260 | S.RESISTOR | ERJ12YJ471H (470 Ω) |
| R172 | 7030003320 | S.RESISTOR | ERJ3GEYJ 101 V (100 Ω) |
| R173 | 7030003320 | S.RESISTOR | ERJ3GEYJ 101 V (100 Ω) |
| R181 | 7030003320 | S.RESISTOR | ERJ3GEYJ 101 V (100 Ω) |
| R182 | 7030003280 | S.RESISTOR | ERJ3GEYJ 470 V (47 Ω) |
| R183 | 7030003280 | S.RESISTOR | ERJ3GEYJ 470 V (47 Ω) |
| R184 | 7030003320 | S.RESISTOR | ERJ3GEYJ 101 V (100 Ω) |
| R185 | 7030003320 | S.RESISTOR | ERJ3GEYJ 101 V (100 Ω) |
| R186 | 7030003320 | S.RESISTOR | ERJ3GEYJ 101 V (100 Ω) |
| R191 | 7030003320 | S.RESISTOR | ERJ3GEYJ 101 V (100 Ω) |

S.=Surface mount

[RF UNIT]

| REF NO. | ORDER NO. | DESCRIPTION |
|---------|------------|------------------------------------|
| R192 | 7030003420 | S.RESISTOR ERJ3GEYJ 681 V (680 Ω) |
| R193 | 7030003370 | S.RESISTOR ERJ3GEYJ 271 V (270 Ω) |
| R194 | 7030003230 | S.RESISTOR ERJ3GEYJ 180 V (18 Ω) |
| R195 | 7030003370 | S.RESISTOR ERJ3GEYJ 271 V (270 Ω) |
| R196 | 7030003320 | S.RESISTOR ERJ3GEYJ 101 V (100 Ω) |
| R201 | 7030003640 | S.RESISTOR ERJ3GEYJ 473 V (47 kΩ) |
| R202 | 7030005400 | S.RESISTOR RR0816P-202-D (2 kΩ) |
| R211 | 7030006260 | S.RESISTOR ERJ12YJ471H (470 Ω) |
| R212 | 7030003410 | S.RESISTOR ERJ3GEYJ 561 V (560 Ω) |
| R213 | 7030003410 | S.RESISTOR ERJ3GEYJ 561 V (560 Ω) |
| R214 | 7030003400 | S.RESISTOR ERJ3GEYJ 471 V (470 Ω) |
| R215 | 7030003280 | S.RESISTOR ERJ3GEYJ 470 V (47 Ω) |
| R216 | 7030003560 | S.RESISTOR ERJ3GEYJ 103 V (10 kΩ) |
| R217 | 7030003280 | S.RESISTOR ERJ3GEYJ 470 V (47 Ω) |
| R218 | 7310002720 | S.TRIMMER RV-148 |
| R231 | 7030003310 | S.RESISTOR ERJ3GEYJ 820 V (82 Ω) |
| R241 | 7030003230 | S.RESISTOR ERJ3GEYJ 180 V (18 Ω) |
| R242 | 7030003280 | S.RESISTOR ERJ3GEYJ 470 V (47 Ω) |
| R243 | 7030003760 | S.RESISTOR ERJ3GEYJ 474 V (470 kΩ) |
| R244 | 7030005400 | S.RESISTOR RR0816P-202-D (2 kΩ) |
| R245 | 7030003600 | S.RESISTOR ERJ3GEYJ 223 V (22 kΩ) |
| R246 | 7030003340 | S.RESISTOR ERJ3GEYJ 151 V (150 Ω) |
| R247 | 7030005400 | S.RESISTOR RR0816P-202-D (2 kΩ) |
| R248 | 7030003360 | S.RESISTOR ERJ3GEYJ 221 V (220 Ω) |
| R249 | 7030005400 | S.RESISTOR RR0816P-202-D (2 kΩ) |
| R250 | 7030003640 | S.RESISTOR ERJ3GEYJ 473 V (47 kΩ) |
| R251 | 7030005400 | S.RESISTOR RR0816P-202-D (2 kΩ) |
| R261 | 7030003370 | S.RESISTOR ERJ3GEYJ 271 V (270 Ω) |
| R262 | 7030003230 | S.RESISTOR ERJ3GEYJ 180 V (18 Ω) |
| R263 | 7030003370 | S.RESISTOR ERJ3GEYJ 271 V (270 Ω) |
| R271 | 7030003520 | S.RESISTOR ERJ3GEYJ 472 V (4.7 kΩ) |
| R272 | 7030003500 | S.RESISTOR ERJ3GEYJ 332 V (3.3 kΩ) |
| R273 | 7030003340 | S.RESISTOR ERJ3GEYJ 151 V (150 Ω) |
| R274 | 7030003600 | S.RESISTOR ERJ3GEYJ 223 V (22 kΩ) |
| R275 | 7030003320 | S.RESISTOR ERJ3GEYJ 101 V (100 Ω) |
| R289 | 7030005390 | S.RESISTOR RR0816P-102-D (1 kΩ) |
| R291 | 7030003400 | S.RESISTOR ERJ3GEYJ 471 V (470 Ω) |
| R301 | 7030003310 | S.RESISTOR ERJ3GEYJ 820 V (82 Ω) |
| R302 | 7030003420 | S.RESISTOR ERJ3GEYJ 681 V (680 Ω) |
| R303 | 7030003520 | S.RESISTOR ERJ3GEYJ 472 V (4.7 kΩ) |
| R304 | 7030003200 | S.RESISTOR ERJ3GEYJ 100 V (10 Ω) |
| R305 | 7030003280 | S.RESISTOR ERJ3GEYJ 470 V (47 Ω) |
| R306 | 7030003400 | S.RESISTOR ERJ3GEYJ 471 V (470 Ω) |
| R307 | 7030003400 | S.RESISTOR ERJ3GEYJ 471 V (470 Ω) |
| R308 | 7030003280 | S.RESISTOR ERJ3GEYJ 470 V (47 Ω) |
| R309 | 7030005390 | S.RESISTOR RR0816P-102-D (1 kΩ) |
| R310 | 7030005390 | S.RESISTOR RR0816P-102-D (1 kΩ) |
| R311 | 7030006260 | S.RESISTOR ERJ12YJ471H (470 Ω) |
| R312 | 7030006260 | S.RESISTOR ERJ12YJ471H (470 Ω) |
| R313 | 7030005400 | S.RESISTOR RR0816P-202-D (2 kΩ) |
| R314 | 7030003680 | S.RESISTOR ERJ3GEYJ 104 V (100 kΩ) |
| R321 | 7030003560 | S.RESISTOR ERJ3GEYJ 103 V (10 kΩ) |
| R322 | 7030003560 | S.RESISTOR ERJ3GEYJ 103 V (10 kΩ) |
| R323 | 7030003560 | S.RESISTOR ERJ3GEYJ 103 V (10 kΩ) |
| R324 | 7030003560 | S.RESISTOR ERJ3GEYJ 103 V (10 kΩ) |
| R325 | 7030004040 | S.RESISTOR ERJ3GEYJ 4R7 V (4.7 Ω) |
| R326 | 7030004040 | S.RESISTOR ERJ3GEYJ 4R7 V (4.7 Ω) |
| R327 | 7030003640 | S.RESISTOR ERJ3GEYJ 473 V (47 kΩ) |
| R328 | 7030003640 | S.RESISTOR ERJ3GEYJ 473 V (47 kΩ) |
| R329 | 7030003640 | S.RESISTOR ERJ3GEYJ 473 V (47 kΩ) |
| R330 | 7030003640 | S.RESISTOR ERJ3GEYJ 473 V (47 kΩ) |
| R331 | 7030003640 | S.RESISTOR ERJ3GEYJ 473 V (47 kΩ) |
| R332 | 7030003640 | S.RESISTOR ERJ3GEYJ 473 V (47 kΩ) |
| R333 | 7030003640 | S.RESISTOR ERJ3GEYJ 473 V (47 kΩ) |
| R334 | 7030003640 | S.RESISTOR ERJ3GEYJ 473 V (47 kΩ) |
| R335 | 7030003200 | S.RESISTOR ERJ3GEYJ 100 V (10 Ω) |
| R336 | 7030003200 | S.RESISTOR ERJ3GEYJ 100 V (10 Ω) |
| R337 | 7030003200 | S.RESISTOR ERJ3GEYJ 100 V (10 Ω) |
| R338 | 7030003200 | S.RESISTOR ERJ3GEYJ 100 V (10 Ω) |
| R339 | 7030003200 | S.RESISTOR ERJ3GEYJ 100 V (10 Ω) |
| R340 | 7030003200 | S.RESISTOR ERJ3GEYJ 100 V (10 Ω) |
| R341 | 7030003200 | S.RESISTOR ERJ3GEYJ 100 V (10 Ω) |
| R342 | 7030003200 | S.RESISTOR ERJ3GEYJ 100 V (10 Ω) |
| R343 | 7030003640 | S.RESISTOR ERJ3GEYJ 473 V (47 kΩ) |
| R344 | 7030003640 | S.RESISTOR ERJ3GEYJ 473 V (47 kΩ) |
| R345 | 7030003640 | S.RESISTOR ERJ3GEYJ 473 V (47 kΩ) |
| R346 | 7030003640 | S.RESISTOR ERJ3GEYJ 473 V (47 kΩ) |
| R347 | 7030003640 | S.RESISTOR ERJ3GEYJ 473 V (47 kΩ) |
| R348 | 7030003640 | S.RESISTOR ERJ3GEYJ 473 V (47 kΩ) |
| R349 | 7030003640 | S.RESISTOR ERJ3GEYJ 473 V (47 kΩ) |
| R350 | 7030003640 | S.RESISTOR ERJ3GEYJ 473 V (47 kΩ) |
| R351 | 7030003200 | S.RESISTOR ERJ3GEYJ 100 V (10 Ω) |

[RF UNIT]

| REF NO. | ORDER NO. | DESCRIPTION |
|---------|------------|------------------------------------|
| R352 | 7030003200 | S.RESISTOR ERJ3GEYJ 100 V (10 Ω) |
| R353 | 7030003200 | S.RESISTOR ERJ3GEYJ 100 V (10 Ω) |
| R354 | 7030003200 | S.RESISTOR ERJ3GEYJ 100 V (10 Ω) |
| R355 | 7030003200 | S.RESISTOR ERJ3GEYJ 100 V (10 Ω) |
| R356 | 7030003200 | S.RESISTOR ERJ3GEYJ 100 V (10 Ω) |
| R357 | 7030003200 | S.RESISTOR ERJ3GEYJ 100 V (10 Ω) |
| R358 | 7030003200 | S.RESISTOR ERJ3GEYJ 100 V (10 Ω) |
| R359 | 7030003560 | S.RESISTOR ERJ3GEYJ 103 V (10 kΩ) |
| R1000 | 7030005390 | S.RESISTOR RR0816P-102-D (1 kΩ) |
| R1002 | 7030005390 | S.RESISTOR RR0816P-102-D (1 kΩ) |
| R1003 | 7030005390 | S.RESISTOR RR0816P-102-D (1 kΩ) |
| R1004 | 7030005390 | S.RESISTOR RR0816P-102-D (1 kΩ) |
| R1005 | 7030005390 | S.RESISTOR RR0816P-102-D (1 kΩ) |
| R1006 | 7030005390 | S.RESISTOR RR0816P-102-D (1 kΩ) |
| R1007 | 7030005390 | S.RESISTOR RR0816P-102-D (1 kΩ) |
| R1008 | 7030005390 | S.RESISTOR RR0816P-102-D (1 kΩ) |
| R1009 | 7030005390 | S.RESISTOR RR0816P-102-D (1 kΩ) |
| R1010 | 7030005390 | S.RESISTOR RR0816P-102-D (1 kΩ) |
| R1011 | 7030003640 | S.RESISTOR ERJ3GEYJ 473 V (47 kΩ) |
| R1012 | 7030003640 | S.RESISTOR ERJ3GEYJ 473 V (47 kΩ) |
| R1013 | 7030003640 | S.RESISTOR ERJ3GEYJ 473 V (47 kΩ) |
| R1014 | 7030003640 | S.RESISTOR ERJ3GEYJ 473 V (47 kΩ) |
| R1015 | 7030003640 | S.RESISTOR ERJ3GEYJ 473 V (47 kΩ) |
| R1016 | 7030003640 | S.RESISTOR ERJ3GEYJ 473 V (47 kΩ) |
| R1017 | 7030003640 | S.RESISTOR ERJ3GEYJ 473 V (47 kΩ) |
| R1018 | 7030003640 | S.RESISTOR ERJ3GEYJ 473 V (47 kΩ) |
| R1019 | 7030003640 | S.RESISTOR ERJ3GEYJ 473 V (47 kΩ) |
| R1020 | 7030003640 | S.RESISTOR ERJ3GEYJ 473 V (47 kΩ) |
| R1021 | 7030003520 | S.RESISTOR ERJ3GEYJ 472 V (4.7 kΩ) |
| R1022 | 7030003640 | S.RESISTOR ERJ3GEYJ 473 V (47 kΩ) |
| R1023 | 7030005400 | S.RESISTOR RR0816P-202-D (2 kΩ) |
| R1024 | 7030003600 | S.RESISTOR ERJ3GEYJ 223 V (22 kΩ) |
| R1025 | 7030005390 | S.RESISTOR RR0816P-102-D (1 kΩ) |
| R1026 | 7030005390 | S.RESISTOR RR0816P-102-D (1 kΩ) |
| R1027 | 7030005390 | S.RESISTOR RR0816P-102-D (1 kΩ) |
| R1031 | 7030005390 | S.RESISTOR RR0816P-102-D (1 kΩ) |
| R1032 | 7310003820 | TRIMMER EVN-D2AA03 B14 |
| R1033 | 7030005390 | S.RESISTOR RR0816P-102-D (1 kΩ) |
| R1051 | 7030005390 | S.RESISTOR RR0816P-102-D (1 kΩ) |
| R1052 | 7030003450 | S.RESISTOR ERJ3GEYJ 122 V (1.2 kΩ) |
| R1071 | 7030003320 | S.RESISTOR ERJ3GEYJ 101 V (100 Ω) |
| R1072 | 7030003560 | S.RESISTOR ERJ3GEYJ 103 V (10 kΩ) |
| R1073 | 7030003760 | S.RESISTOR ERJ3GEYJ 474 V (470 kΩ) |
| R1074 | 7030003760 | S.RESISTOR ERJ3GEYJ 474 V (470 kΩ) |
| R1081 | 7030003320 | S.RESISTOR ERJ3GEYJ 101 V (100 Ω) |
| R1082 | 7030005400 | S.RESISTOR RR0816P-202-D (2 kΩ) |
| R1101 | 7030005400 | S.RESISTOR RR0816P-202-D (2 kΩ) |
| R1102 | 7030005400 | S.RESISTOR RR0816P-202-D (2 kΩ) |
| R1103 | 7030005390 | S.RESISTOR RR0816P-102-D (1 kΩ) |
| R1104 | 7030005400 | S.RESISTOR RR0816P-202-D (2 kΩ) |
| R1105 | 7030005390 | S.RESISTOR RR0816P-102-D (1 kΩ) |
| R1106 | 7030005400 | S.RESISTOR RR0816P-202-D (2 kΩ) |
| R1107 | 7030005390 | S.RESISTOR RR0816P-102-D (1 kΩ) |
| R1108 | 7030005400 | S.RESISTOR RR0816P-202-D (2 kΩ) |
| R1109 | 7030005390 | S.RESISTOR RR0816P-102-D (1 kΩ) |
| R1110 | 7030005400 | S.RESISTOR RR0816P-202-D (2 kΩ) |
| R1111 | 7030005390 | S.RESISTOR RR0816P-102-D (1 kΩ) |
| R1112 | 7030005400 | S.RESISTOR RR0816P-202-D (2 kΩ) |
| R1113 | 7030005390 | S.RESISTOR RR0816P-102-D (1 kΩ) |
| R1114 | 7030005400 | S.RESISTOR RR0816P-202-D (2 kΩ) |
| R1115 | 7030005380 | S.RESISTOR RR0816P-102-B (1 kΩ) |
| R1116 | 7030005370 | S.RESISTOR RR0816P-202-B (2 kΩ) |
| R1117 | 7030005380 | S.RESISTOR RR0816P-102-B (1 kΩ) |
| R1118 | 7030005370 | S.RESISTOR RR0816P-202-B (2 kΩ) |
| R1119 | 7030005380 | S.RESISTOR RR0816P-102-B (1 kΩ) |
| R1120 | 7030005370 | S.RESISTOR RR0816P-202-B (2 kΩ) |
| R1121 | 7030005380 | S.RESISTOR RR0816P-102-B (1 kΩ) |
| R1122 | 7030005370 | S.RESISTOR RR0816P-202-B (2 kΩ) |
| R1123 | 7030005380 | S.RESISTOR RR0816P-102-B (1 kΩ) |
| R1124 | 7030005370 | S.RESISTOR RR0816P-202-B (2 kΩ) |
| R1125 | 7030003400 | S.RESISTOR ERJ3GEYJ 471 V (470 Ω) |
| R1127 | 7030003320 | S.RESISTOR ERJ3GEYJ 101 V (100 Ω) |
| R1128 | 7030003640 | S.RESISTOR ERJ3GEYJ 473 V (47 kΩ) |
| R1129 | 7030003360 | S.RESISTOR ERJ3GEYJ 221 V (220 Ω) |
| R1130 | 7030003280 | S.RESISTOR ERJ3GEYJ 470 V (47 Ω) |
| R1132 | 7030003640 | S.RESISTOR ERJ3GEYJ 473 V (47 kΩ) |
| R1133 | 7030003360 | S.RESISTOR ERJ3GEYJ 221 V (220 Ω) |
| R1134 | 7030003280 | S.RESISTOR ERJ3GEYJ 470 V (47 Ω) |
| R1135 | 7010003320 | RESISTOR ELR20J 220 Ω |
| R1136 | 7030005390 | S.RESISTOR RR0816P-102-D (1 kΩ) |
| R1137 | 7030005390 | S.RESISTOR RR0816P-102-D (1 kΩ) |
| R1138 | 7010003180 | RESISTOR ELR20J 15 Ω |

S.=Surface mount

[RF UNIT]

| REF NO. | ORDER NO. | DESCRIPTION | |
|---------|------------|-------------|-------------------------|
| R1139 | 7030003640 | S.RESISTOR | ERJ3GEYJ 473 V (47 kΩ) |
| R1140 | 7030003370 | S.RESISTOR | ERJ3GEYJ 271 V (270 Ω) |
| R1142 | 7030005390 | S.RESISTOR | RR0816P-102-D (1 kΩ) |
| R1144 | 7010003810 | RESISTOR | ELR20J 2.2M Ω |
| R1147 | 7030003360 | S.RESISTOR | ERJ3GEYJ 221 V (220 Ω) |
| R1148 | 7030005390 | S.RESISTOR | RR0816P-102-D (1 kΩ) |
| R1149 | 7030005390 | S.RESISTOR | RR0816P-102-D (1 kΩ) |
| R1150 | 7030005390 | S.RESISTOR | RR0816P-102-D (1 kΩ) |
| R1151 | 7030005390 | S.RESISTOR | RR0816P-102-D (1 kΩ) |
| R1152 | 7030005390 | S.RESISTOR | RR0816P-102-D (1 kΩ) |
| R1153 | 7030005390 | S.RESISTOR | RR0816P-102-D (1 kΩ) |
| R1154 | 7030005390 | S.RESISTOR | RR0816P-102-D (1 kΩ) |
| R1155 | 7030005390 | S.RESISTOR | RR0816P-102-D (1 kΩ) |
| R1202 | 7030003280 | S.RESISTOR | ERJ3GEYJ 470 V (47 Ω) |
| R1203 | 7030003380 | S.RESISTOR | ERJ3GEYJ 331 V (330 Ω) |
| R1204 | 7030003560 | S.RESISTOR | ERJ3GEYJ 103 V (10 kΩ) |
| R1222 | 7030003280 | S.RESISTOR | ERJ3GEYJ 470 V (47 Ω) |
| R1223 | 7030003380 | S.RESISTOR | ERJ3GEYJ 331 V (330 Ω) |
| R1224 | 7030003560 | S.RESISTOR | ERJ3GEYJ 103 V (10 kΩ) |
| R1242 | 7030003280 | S.RESISTOR | ERJ3GEYJ 470 V (47 Ω) |
| R1243 | 7030003380 | S.RESISTOR | ERJ3GEYJ 331 V (330 Ω) |
| R1244 | 7030003560 | S.RESISTOR | ERJ3GEYJ 103 V (10 kΩ) |
| R1262 | 7030003280 | S.RESISTOR | ERJ3GEYJ 470 V (47 Ω) |
| R1263 | 7030003380 | S.RESISTOR | ERJ3GEYJ 331 V (330 Ω) |
| R1264 | 7030003560 | S.RESISTOR | ERJ3GEYJ 103 V (10 kΩ) |
| R1281 | 7030003280 | S.RESISTOR | ERJ3GEYJ 470 V (47 Ω) |
| R1282 | 7030003470 | S.RESISTOR | ERJ3GEYJ 182 V (1.8 kΩ) |
| R1283 | 7030005400 | S.RESISTOR | RR0816P-202-D (2 kΩ) |
| R1284 | 7030005390 | S.RESISTOR | RR0816P-102-D (1 kΩ) |
| R1301 | 7030003560 | S.RESISTOR | ERJ3GEYJ 103 V (10 kΩ) |
| R1302 | 7030003680 | S.RESISTOR | ERJ3GEYJ 104 V (100 kΩ) |
| R1303 | 7030003320 | S.RESISTOR | ERJ3GEYJ 101 V (100 Ω) |
| R1304 | 7030003340 | S.RESISTOR | ERJ3GEYJ 151 V (150 Ω) |
| R1305 | 7030003680 | S.RESISTOR | ERJ3GEYJ 104 V (100 kΩ) |
| R1306 | 7030003340 | S.RESISTOR | ERJ3GEYJ 151 V (150 Ω) |
| R1307 | 7030003640 | S.RESISTOR | ERJ3GEYJ 473 V (47 kΩ) |
| R1308 | 7030003320 | S.RESISTOR | ERJ3GEYJ 101 V (100 Ω) |
| R1309 | 7030003360 | S.RESISTOR | ERJ3GEYJ 221 V (220 Ω) |
| R1310 | 7030003220 | S.RESISTOR | ERJ3GEYJ 150 V (15 Ω) |
| R1311 | 7030003220 | S.RESISTOR | ERJ3GEYJ 150 V (15 Ω) |
| R1312 | 7030003220 | S.RESISTOR | ERJ3GEYJ 150 V (15 Ω) |
| R1402 | 7030003340 | S.RESISTOR | ERJ3GEYJ 151 V (150 Ω) |
| R1403 | 7030003340 | S.RESISTOR | ERJ3GEYJ 151 V (150 Ω) |
| R1404 | 7030003450 | S.RESISTOR | ERJ3GEYJ 122 V (1.2 kΩ) |
| R1405 | 7030003500 | S.RESISTOR | ERJ3GEYJ 332 V (3.3 kΩ) |
| R1406 | 7030003280 | S.RESISTOR | ERJ3GEYJ 470 V (47 Ω) |
| R1407 | 7030003280 | S.RESISTOR | ERJ3GEYJ 470 V (47 Ω) |
| R1416 | 7030005390 | S.RESISTOR | RR0816P-102-D (1 kΩ) |
| R1417 | 7030003370 | S.RESISTOR | ERJ3GEYJ 271 V (270 Ω) |
| R1418 | 7030003230 | S.RESISTOR | ERJ3GEYJ 180 V (18 Ω) |
| R1419 | 7030003370 | S.RESISTOR | ERJ3GEYJ 271 V (270 Ω) |
| R1421 | 7030003370 | S.RESISTOR | ERJ3GEYJ 271 V (270 Ω) |
| R1422 | 7030003230 | S.RESISTOR | ERJ3GEYJ 180 V (18 Ω) |
| R1423 | 7030003370 | S.RESISTOR | ERJ3GEYJ 271 V (270 Ω) |
| R1502 | 7030005390 | S.RESISTOR | RR0816P-102-D (1 kΩ) |
| R1506 | 7030005390 | S.RESISTOR | RR0816P-102-D (1 kΩ) |
| R1521 | 7030003640 | S.RESISTOR | ERJ3GEYJ 473 V (47 kΩ) |
| R1524 | 7030005390 | S.RESISTOR | RR0816P-102-D (1 kΩ) |
| R1561 | 7030003640 | S.RESISTOR | ERJ3GEYJ 473 V (47 kΩ) |
| R1562 | 7030005390 | S.RESISTOR | RR0816P-102-D (1 kΩ) |
| R1581 | 7030003640 | S.RESISTOR | ERJ3GEYJ 473 V (47 kΩ) |
| R1582 | 7030005390 | S.RESISTOR | RR0816P-102-D (1 kΩ) |
| R1601 | 7030005400 | S.RESISTOR | RR0816P-202-D (2 kΩ) |
| R1602 | 7030005390 | S.RESISTOR | RR0816P-102-D (1 kΩ) |
| R1603 | 7030005400 | S.RESISTOR | RR0816P-202-D (2 kΩ) |
| R1604 | 7030005390 | S.RESISTOR | RR0816P-102-D (1 kΩ) |
| R1605 | 7030005400 | S.RESISTOR | RR0816P-202-D (2 kΩ) |
| R1606 | 7030005390 | S.RESISTOR | RR0816P-102-D (1 kΩ) |
| R1607 | 7030005400 | S.RESISTOR | RR0816P-202-D (2 kΩ) |
| R1608 | 7030005390 | S.RESISTOR | RR0816P-102-D (1 kΩ) |
| R1609 | 7030005370 | S.RESISTOR | RR0816P-202-B (2 kΩ) |
| R1610 | 7030005380 | S.RESISTOR | RR0816P-102-B (1 kΩ) |
| R1611 | 7030005370 | S.RESISTOR | RR0816P-202-B (2 kΩ) |
| R1612 | 7030005380 | S.RESISTOR | RR0816P-102-B (1 kΩ) |
| R1613 | 7030005370 | S.RESISTOR | RR0816P-202-B (2 kΩ) |
| R1614 | 7030005380 | S.RESISTOR | RR0816P-102-B (1 kΩ) |
| R1615 | 7030005370 | S.RESISTOR | RR0816P-202-B (2 kΩ) |
| R1616 | 7030005380 | S.RESISTOR | RR0816P-102-B (1 kΩ) |
| R1617 | 7030005370 | S.RESISTOR | RR0816P-202-B (2 kΩ) |
| R1618 | 7030005380 | S.RESISTOR | RR0816P-102-B (1 kΩ) |
| R1619 | 7030005400 | S.RESISTOR | RR0816P-202-D (2 kΩ) |
| R1620 | 7030005400 | S.RESISTOR | RR0816P-202-D (2 kΩ) |

[RF UNIT]

| REF NO. | ORDER NO. | DESCRIPTION | |
|---------|------------|-------------|--------------------------|
| R1621 | 7030005390 | S.RESISTOR | RR0816P-102-D (1 kΩ) |
| R1622 | 7030005390 | S.RESISTOR | RR0816P-102-D (1 kΩ) |
| R1623 | 7030005390 | S.RESISTOR | RR0816P-102-D (1 kΩ) |
| R1624 | 7030005390 | S.RESISTOR | RR0816P-102-D (1 kΩ) |
| R1625 | 7030005390 | S.RESISTOR | RR0816P-102-D (1 kΩ) |
| R1626 | 7030003370 | S.RESISTOR | ERJ3GEYJ 271 V (270 Ω) |
| R1627 | 7030003640 | S.RESISTOR | ERJ3GEYJ 473 V (47 kΩ) |
| R1630 | 7030005400 | S.RESISTOR | RR0816P-202-D (2 kΩ) |
| R1632 | 7030003360 | S.RESISTOR | ERJ3GEYJ 221 V (220 Ω) |
| R1701 | 7030005400 | S.RESISTOR | RR0816P-202-D (2 kΩ) |
| R1702 | 7030005390 | S.RESISTOR | RR0816P-102-D (1 kΩ) |
| R1703 | 7030005400 | S.RESISTOR | RR0816P-202-D (2 kΩ) |
| R1704 | 7030005390 | S.RESISTOR | RR0816P-102-D (1 kΩ) |
| R1705 | 7030005400 | S.RESISTOR | RR0816P-202-D (2 kΩ) |
| R1706 | 7030005390 | S.RESISTOR | RR0816P-102-D (1 kΩ) |
| R1707 | 7030005400 | S.RESISTOR | RR0816P-202-D (2 kΩ) |
| R1708 | 7030005390 | S.RESISTOR | RR0816P-102-D (1 kΩ) |
| R1709 | 7030005370 | S.RESISTOR | RR0816P-202-B (2 kΩ) |
| R1710 | 7030005380 | S.RESISTOR | RR0816P-102-B (1 kΩ) |
| R1711 | 7030005370 | S.RESISTOR | RR0816P-202-B (2 kΩ) |
| R1712 | 7030005380 | S.RESISTOR | RR0816P-102-B (1 kΩ) |
| R1713 | 7030005370 | S.RESISTOR | RR0816P-202-B (2 kΩ) |
| R1714 | 7030005380 | S.RESISTOR | RR0816P-102-B (1 kΩ) |
| R1715 | 7030005370 | S.RESISTOR | RR0816P-202-B (2 kΩ) |
| R1716 | 7030005380 | S.RESISTOR | RR0816P-102-B (1 kΩ) |
| R1717 | 7030005370 | S.RESISTOR | RR0816P-202-B (2 kΩ) |
| R1718 | 7030005380 | S.RESISTOR | RR0816P-102-B (1 kΩ) |
| R1719 | 7030005370 | S.RESISTOR | RR0816P-202-B (2 kΩ) |
| R1720 | 7030005370 | S.RESISTOR | RR0816P-202-B (2 kΩ) |
| R1721 | 7030005390 | S.RESISTOR | RR0816P-102-D (1 kΩ) |
| R1722 | 7030005390 | S.RESISTOR | RR0816P-102-D (1 kΩ) |
| R1723 | 7030005390 | S.RESISTOR | RR0816P-102-D (1 kΩ) |
| R1724 | 7030005390 | S.RESISTOR | RR0816P-102-D (1 kΩ) |
| R1725 | 7030005390 | S.RESISTOR | RR0816P-102-D (1 kΩ) |
| R1726 | 7030003370 | S.RESISTOR | ERJ3GEYJ 271 V (270 Ω) |
| R1727 | 7030003640 | S.RESISTOR | ERJ3GEYJ 473 V (47 kΩ) |
| R1728 | 7030005400 | S.RESISTOR | RR0816P-202-D (2 kΩ) |
| R1731 | 7030005390 | S.RESISTOR | RR0816P-102-D (1 kΩ) |
| R1733 | 7030003360 | S.RESISTOR | ERJ3GEYJ 221 V (220 Ω) |
| R1802 | 7030003560 | S.RESISTOR | ERJ3GEYJ 103 V (10 kΩ) |
| R1803 | 7030003400 | S.RESISTOR | ERJ3GEYJ 471 V (470 Ω) |
| R1805 | 7030007490 | S.RESISTOR | MCR03EZJH 10 M Ω (106) |
| R1806 | 7030005390 | S.RESISTOR | RR0816P-102-D (1 kΩ) |
| R1808 | 7030003400 | S.RESISTOR | ERJ3GEYJ 471 V (470 Ω) |
| R1809 | 7030003200 | S.RESISTOR | ERJ3GEYJ 100 V (10 Ω) |
| R1810 | 7030003400 | S.RESISTOR | ERJ3GEYJ 471 V (470 Ω) |
| R1817 | 7010003270 | RESISTOR | ELR20J 82 Ω |
| R1818 | 7010003410 | RESISTOR | ELR20J 1.2 kΩ |
| R1820 | 7030005390 | S.RESISTOR | RR0816P-102-D (1 kΩ) |
| R1821 | 7030005390 | S.RESISTOR | RR0816P-102-D (1 kΩ) |
| R1822 | 7030005390 | S.RESISTOR | RR0816P-102-D (1 kΩ) |
| R1823 | 7030005390 | S.RESISTOR | RR0816P-102-D (1 kΩ) |
| R1824 | 7030003200 | S.RESISTOR | ERJ3GEYJ 100 V (10 Ω) |
| R1904 | 7030003640 | S.RESISTOR | ERJ3GEYJ 473 V (47 kΩ) |
| R1905 | 7030003320 | S.RESISTOR | ERJ3GEYJ 101 V (100 Ω) |
| R1906 | 7030003580 | S.RESISTOR | ERJ3GEYJ 153 V (15 kΩ) |
| R1907 | 7030003520 | S.RESISTOR | ERJ3GEYJ 471 V (47.7 kΩ) |
| R1908 | 7030003400 | S.RESISTOR | ERJ3GEYJ 471 V (470 Ω) |
| R1909 | 7030003470 | S.RESISTOR | ERJ3GEYJ 182 V (1.8 kΩ) |
| R1910 | 7030005400 | S.RESISTOR | RR0816P-202-D (2 kΩ) |
| R1911 | 7030003320 | S.RESISTOR | ERJ3GEYJ 101 V (100 Ω) |
| R1912 | 7030005390 | S.RESISTOR | RR0816P-102-D (1 kΩ) |
| R1913 | 7030003640 | S.RESISTOR | ERJ3GEYJ 473 V (47 kΩ) |
| R1914 | 7030003320 | S.RESISTOR | ERJ3GEYJ 101 V (100 Ω) |
| R1915 | 7030003370 | S.RESISTOR | ERJ3GEYJ 271 V (270 Ω) |
| R1916 | 7030003600 | S.RESISTOR | ERJ3GEYJ 223 V (22 kΩ) |
| R1917 | 7030003560 | S.RESISTOR | ERJ3GEYJ 103 V (10 kΩ) |
| R1918 | 7030003370 | S.RESISTOR | ERJ3GEYJ 271 V (270 Ω) |
| R1919 | 7030003200 | S.RESISTOR | ERJ3GEYJ 100 V (10 Ω) |
| R1922 | 7030003360 | S.RESISTOR | ERJ3GEYJ 221 V (220 Ω) |
| R1923 | 7030003320 | S.RESISTOR | ERJ3GEYJ 101 V (100 Ω) |
| R1924 | 7030005390 | S.RESISTOR | RR0816P-102-D (1 kΩ) |
| C1 | 4030011600 | S.CERAMIC | C1608 JB 1C 104KT-N |
| C2 | 4030011600 | S.CERAMIC | C1608 JB 1C 104KT-N |
| C3 | 4030011600 | S.CERAMIC | C1608 JB 1C 104KT-N |
| C4 | 4030011600 | S.CERAMIC | C1608 JB 1C 104KT-N |
| C5 | 4030008470 | S.CERAMIC | C1608 JB 1H 272K-T-A |
| C6 | 4030009880 | S.CERAMIC | C1608 JB 1H 682K-T-A |
| C7 | 4030009980 | S.CERAMIC | C1608 JB 1H 152K-T-A |
| C8 | 4030006860 | S.CERAMIC | C1608 JB 1H 102K-T-A |

S.=Surface mount

[RF UNIT]

| REF NO. | ORDER NO. | DESCRIPTION |
|---------|------------|--------------------------------|
| C11 | 4030011600 | S.CERAMIC C1608 JB 1C 104KT-N |
| C12 | 4030008650 | S.CERAMIC C1608 JB 1H 332K-T-A |
| C13 | 4030011330 | S.CERAMIC C1608 CH 1H 391J-T-A |
| C14 | 4030008650 | S.CERAMIC C1608 JB 1H 332K-T-A |
| C15 | 4030011600 | S.CERAMIC C1608 JB 1C 104KT-N |
| C16 | 4030011600 | S.CERAMIC C1608 JB 1C 104KT-N |
| C21 | 4030011600 | S.CERAMIC C1608 JB 1C 104KT-N |
| C22 | 4030006860 | S.CERAMIC C1608 JB 1H 102K-T-A |
| C23 | 4030009580 | S.CERAMIC C1608 JB 1H 681K-T-A |
| C24 | 4030006870 | S.CERAMIC C1608 JB 1H 222K-T-A |
| C25 | 4030007170 | S.CERAMIC C1608 CH 1H 221J-T-A |
| C26 | 4030010020 | S.CERAMIC C1608 JB 1H 122K-T-A |
| C27 | 4030011600 | S.CERAMIC C1608 JB 1C 104KT-N |
| C28 | 4030011600 | S.CERAMIC C1608 JB 1C 104KT-N |
| C31 | 4030011600 | S.CERAMIC C1608 JB 1C 104KT-N |
| C32 | 4030010020 | S.CERAMIC C1608 JB 1H 122K-T-A |
| C33 | 4030007130 | S.CERAMIC C1608 CH 1H 101J-T-A |
| C34 | 4030010020 | S.CERAMIC C1608 JB 1H 122K-T-A |
| C35 | 4030009880 | S.CERAMIC C1608 JB 1H 682K-T-A |
| C36 | 4030009630 | S.CERAMIC C1608 JB 1H 822K-T-A |
| C37 | 4030009980 | S.CERAMIC C1608 JB 1H 152K-T-A |
| C38 | 4030011600 | S.CERAMIC C1608 JB 1C 104KT-N |
| C41 | 4030011600 | S.CERAMIC C1608 JB 1C 104KT-N |
| C42 | 4030010030 | S.CERAMIC C1608 SL 1H 511J-T-A |
| C43 | 4030007130 | S.CERAMIC C1608 CH 1H 101J-T-A |
| C44 | 4030011340 | S.CERAMIC C1608 CH 1H 471J-T-A |
| C45 | 4030006870 | S.CERAMIC C1608 JB 1H 222K-T-A |
| C46 | 4030008770 | S.CERAMIC C1608 JB 1H 562K-T-A |
| C47 | 4030009580 | S.CERAMIC C1608 JB 1H 681K-T-A |
| C48 | 4030011600 | S.CERAMIC C1608 JB 1C 104KT-N |
| C51 | 4030011600 | S.CERAMIC C1608 JB 1C 104KT-N |
| C52 | 4030010760 | S.CERAMIC C1608 CH 1H 331J-T-A |
| C53 | 4030007090 | S.CERAMIC C1608 CH 1H 470J-T-A |
| C54 | 4030007160 | S.CERAMIC C1608 CH 1H 181J-T-A |
| C55 | 4030010040 | S.CERAMIC C1608 JB 1H 561K-T-A |
| C56 | 4030008470 | S.CERAMIC C1608 JB 1H 272K-T-A |
| C57 | 4030010760 | S.CERAMIC C1608 CH 1H 331J-T-A |
| C58 | 4030011600 | S.CERAMIC C1608 JB 1C 104KT-N |
| C61 | 4030011600 | S.CERAMIC C1608 JB 1C 104KT-N |
| C62 | 4030011280 | S.CERAMIC C1608 CH 1H 271J-T-A |
| C63 | 4030007090 | S.CERAMIC C1608 CH 1H 470J-T-A |
| C64 | 4030007150 | S.CERAMIC C1608 CH 1H 151J-T-A |
| C65 | 4030011340 | S.CERAMIC C1608 CH 1H 471J-T-A |
| C66 | 4030010020 | S.CERAMIC C1608 JB 1H 122K-T-A |
| C67 | 4030011840 | S.CERAMIC C1608 CH 1H 241J-T-A |
| C68 | 4030011600 | S.CERAMIC C1608 JB 1C 104KT-N |
| C71 | 4030011600 | S.CERAMIC C1608 JB 1C 104KT-N |
| C72 | 4030007160 | S.CERAMIC C1608 CH 1H 181J-T-A |
| C73 | 4030008560 | S.CERAMIC C1608 CH 1H 300J-T-A |
| C74 | 4030007130 | S.CERAMIC C1608 CH 1H 101J-T-A |
| C75 | 4030006820 | S.CERAMIC C1608 SL 1H 301J-T-A |
| C76 | 4030010020 | S.CERAMIC C1608 JB 1H 122K-T-A |
| C77 | 4030007150 | S.CERAMIC C1608 CH 1H 151J-T-A |
| C78 | 4030011600 | S.CERAMIC C1608 JB 1C 104KT-N |
| C81 | 4030011600 | S.CERAMIC C1608 JB 1C 104KT-N |
| C82 | 4030006990 | S.CERAMIC C1608 CH 1H 080D-T-A |
| C83 | 4030007160 | S.CERAMIC C1608 CH 1H 181J-T-A |
| C84 | 4030007060 | S.CERAMIC C1608 CH 1H 270J-T-A |
| C85 | 4030007140 | S.CERAMIC C1608 CH 1H 121J-T-A |
| C86 | 4030007160 | S.CERAMIC C1608 CH 1H 181J-T-A |
| C87 | 4030010020 | S.CERAMIC C1608 JB 1H 122K-T-A |
| C88 | 4030007130 | S.CERAMIC C1608 CH 1H 101J-T-A |
| C89 | 4030011600 | S.CERAMIC C1608 JB 1C 104KT-N |
| C91 | 4030006880 | S.CERAMIC C1608 JB 1H 472K-T-A |
| C92 | 4030007110 | S.CERAMIC C1608 CH 1H 680J-T-A |
| C93 | 4030007060 | S.CERAMIC C1608 CH 1H 270J-T-A |
| C94 | 4030007120 | S.CERAMIC C1608 CH 1H 820J-T-A |
| C95 | 4030007040 | S.CERAMIC C1608 CH 1H 180J-T-A |
| C96 | 4030007100 | S.CERAMIC C1608 CH 1H 560J-T-A |
| C97 | 4030007100 | S.CERAMIC C1608 CH 1H 560J-T-A |
| C98 | 4030007160 | S.CERAMIC C1608 CH 1H 181J-T-A |
| C99 | 4030007090 | S.CERAMIC C1608 CH 1H 470J-T-A |
| C100 | 4030006880 | S.CERAMIC C1608 JB 1H 472K-T-A |
| C101 | 4030006880 | S.CERAMIC C1608 JB 1H 472K-T-A |
| C102 | 4030007110 | S.CERAMIC C1608 CH 1H 680J-T-A |
| C103 | 4030007040 | S.CERAMIC C1608 CH 1H 180J-T-A |
| C104 | 4030007110 | S.CERAMIC C1608 CH 1H 680J-T-A |
| C105 | 4030007120 | S.CERAMIC C1608 CH 1H 820J-T-A |
| C106 | 4030010040 | S.CERAMIC C1608 JB 1H 561K-T-A |
| C107 | 4030007120 | S.CERAMIC C1608 CH 1H 820J-T-A |
| C108 | 4030006880 | S.CERAMIC C1608 JB 1H 472K-T-A |
| C111 | 4030006880 | S.CERAMIC C1608 JB 1H 472K-T-A |

[RF UNIT]

| REF NO. | ORDER NO. | DESCRIPTION |
|---------|------------|--------------------------------|
| C112 | 4030006860 | S.CERAMIC C1608 JB 1H 102K-T-A |
| C113 | 4030009920 | S.CERAMIC C1608 CH 1H 050B-T-A |
| C114 | 4030009500 | S.CERAMIC C1608 CH 1H 0R5B-T-A |
| C115 | 4030009910 | S.CERAMIC C1608 CH 1H 040B-T-A |
| C116 | 4030009500 | S.CERAMIC C1608 CH 1H 0R5B-T-A |
| C117 | 4030009920 | S.CERAMIC C1608 CH 1H 050B-T-A |
| C118 | 4030006880 | S.CERAMIC C1608 JB 1H 472K-T-A |
| C119 | 4030006860 | S.CERAMIC C1608 JB 1H 102K-T-A |
| C120 | 4030011600 | S.CERAMIC C1608 JB 1C 104KT-N |
| C121 | 4030007040 | S.CERAMIC C1608 CH 1H 180J-T-A |
| C122 | 4030006860 | S.CERAMIC C1608 JB 1H 102K-T-A |
| C123 | 4030006860 | S.CERAMIC C1608 JB 1H 102K-T-A |
| C124 | 4030006860 | S.CERAMIC C1608 JB 1H 102K-T-A |
| C125 | 4030007070 | S.CERAMIC C1608 JB 1H 330J-T-A |
| C126 | 4030006980 | S.CERAMIC C1608 CH 1H 070D-T-A |
| C127 | 4030007060 | S.CERAMIC C1608 CH 1H 270J-T-A |
| C128 | 4030006860 | S.CERAMIC C1608 JB 1H 102K-T-A |
| C129 | 4030006860 | S.CERAMIC C1608 JB 1H 102K-T-A |
| C131 | 4030006860 | S.CERAMIC C1608 JB 1H 102K-T-A |
| C132 | 4030006860 | S.CERAMIC C1608 JB 1H 102K-T-A |
| C133 | 4030006860 | S.CERAMIC C1608 JB 1H 102K-T-A |
| C134 | 4030006880 | S.CERAMIC C1608 JB 1H 472K-T-A |
| C135 | 4030009520 | S.CERAMIC C1608 CH 1H 020B-T-A |
| C136 | 4030006980 | S.CERAMIC C1608 CH 1H 070D-T-A |
| C137 | 4030006860 | S.CERAMIC C1608 JB 1H 102K-T-A |
| C138 | 4030007060 | S.CERAMIC C1608 CH 1H 270J-T-A |
| C139 | 4030006860 | S.CERAMIC C1608 JB 1H 102K-T-A |
| C140 | 4030006860 | S.CERAMIC C1608 JB 1H 102K-T-A |
| C142 | 4030006860 | S.CERAMIC C1608 JB 1H 102K-T-A |
| C143 | 4030007090 | S.CERAMIC C1608 CH 1H 470J-T-A |
| C144 | 4030007120 | S.CERAMIC C1608 CH 1H 820J-T-A |
| C146 | 4030006860 | S.CERAMIC C1608 JB 1H 102K-T-A |
| C147 | 4030006880 | S.CERAMIC C1608 JB 1H 472K-T-A |
| C148 | 4030006880 | S.CERAMIC C1608 JB 1H 472K-T-A |
| C149 | 4030006880 | S.CERAMIC C1608 JB 1H 472K-T-A |
| C151 | 4030011600 | S.CERAMIC C1608 JB 1C 104KT-N |
| C152 | 4030011600 | S.CERAMIC C1608 JB 1C 104KT-N |
| C153 | 4030011600 | S.CERAMIC C1608 JB 1C 104KT-N |
| C154 | 4030011600 | S.CERAMIC C1608 JB 1C 104KT-N |
| C155 | 4030011600 | S.CERAMIC C1608 JB 1C 104KT-N |
| C156 | 4030006880 | S.CERAMIC C1608 JB 1H 472K-T-A |
| C157 | 4030011600 | S.CERAMIC C1608 JB 1C 104KT-N |
| C171 | 4030011600 | S.CERAMIC C1608 JB 1C 104KT-N |
| C172 | 4030011600 | S.CERAMIC C1608 JB 1C 104KT-N |
| C173 | 4030007010 | S.CERAMIC C1608 CH 1H 100D-T-A |
| C181 | 4030011600 | S.CERAMIC C1608 JB 1C 104KT-N |
| C182 | 4030011600 | S.CERAMIC C1608 JB 1C 104KT-N |
| C183 | 4030011600 | S.CERAMIC C1608 JB 1C 104KT-N |
| C184 | 4030011600 | S.CERAMIC C1608 JB 1C 104KT-N |
| C185 | 4030011600 | S.CERAMIC C1608 JB 1C 104KT-N |
| C191 | 4030011600 | S.CERAMIC C1608 JB 1C 104KT-N |
| C192 | 4030011600 | S.CERAMIC C1608 JB 1C 104KT-N |
| C193 | 4030011600 | S.CERAMIC C1608 JB 1C 104KT-N |
| C194 | 4030011600 | S.CERAMIC C1608 JB 1C 104KT-N |
| C195 | 4030011600 | S.CERAMIC C1608 JB 1C 104KT-N |
| C196 | 4030011600 | S.CERAMIC C1608 JB 1C 104KT-N |
| C197 | 4030011600 | S.CERAMIC C1608 JB 1C 104KT-N |
| C201 | 4030007170 | S.CERAMIC C1608 CH 1H 221J-T-A |
| C211 | 4030007070 | S.CERAMIC C1608 CH 1H 330J-T-A |
| C212 | 4030007090 | S.CERAMIC C1608 CH 1H 470J-T-A |
| C213 | 4030007120 | S.CERAMIC C1608 JB 1H 820J-T-A |
| C214 | 4030007040 | S.CERAMIC C1608 CH 1H 180J-T-A |
| C215 | 4030007100 | S.CERAMIC C1608 CH 1H 560J-T-A |
| C216 | 4030011600 | S.CERAMIC C1608 JB 1C 104KT-N |
| C217 | 4030011600 | S.CERAMIC C1608 JB 1C 104KT-N |
| C218 | 4030011600 | S.CERAMIC C1608 JB 1C 104KT-N |
| C219 | 4030009530 | S.CERAMIC C1608 CH 1H 030B-T-A |
| C220 | 4030006880 | S.CERAMIC C1608 JB 1H 472K-T-A |
| C221 | 4030011600 | S.CERAMIC C1608 JB 1C 104KT-N |
| C222 | 4030007000 | S.CERAMIC C1608 CH 1H 090D-T-A |
| C223 | 4030011600 | S.CERAMIC C1608 JB 1C 104KT-N |
| C224 | 4030011600 | S.CERAMIC C1608 JB 1C 104KT-N |
| C225 | 4030009910 | S.CERAMIC C1608 CH 1H 040B-T-A |
| C226 | 4030006860 | S.CERAMIC C1608 JB 1H 102K-T-A |
| C227 | 4030006860 | S.CERAMIC C1608 JB 1H 102K-T-A |
| C231 | 4030007130 | S.CERAMIC C1608 CH 1H 101J-T-A |
| C232 | 4030007030 | S.CERAMIC C1608 CH 1H 150J-T-A |
| C233 | 4030007010 | S.CERAMIC C1608 CH 1H 100D-T-A |
| C241 | 4030006880 | S.CERAMIC C1608 JB 1H 472K-T-A |
| C242 | 4030011600 | S.CERAMIC C1608 JB 1C 104KT-N |
| C243 | 4030006880 | S.CERAMIC C1608 JB 1H 472K-T-A |
| C244 | 4030007020 | S.CERAMIC C1608 CH 1H 120J-T-A |

S.=Surface mount

[RF UNIT]

| REF NO. | ORDER NO. | DESCRIPTION | |
|---------|------------|----------------|----------------------|
| C245 | 4030006880 | S.CERAMIC | C1608 JB 1H 472K-T-A |
| C246 | 4030006880 | S.CERAMIC | C1608 JB 1H 472K-T-A |
| C247 | 4030006880 | S.CERAMIC | C1608 JB 1H 472K-T-A |
| C248 | 4030006880 | S.CERAMIC | C1608 JB 1H 472K-T-A |
| C251 | 4030006880 | S.CERAMIC | C1608 JB 1H 472K-T-A |
| C252 | 4030007030 | S.CERAMIC | C1608 CH 1H 150J-T-A |
| C253 | 4030007030 | S.CERAMIC | C1608 CH 1H 150J-T-A |
| C261 | 4030007110 | S.CERAMIC | C1608 CH 1H 680J-T-A |
| C262 | 4030011330 | S.CERAMIC | C1608 CH 1H 391J-T-A |
| C263 | 4030007110 | S.CERAMIC | C1608 CH 1H 680J-T-A |
| C264 | 4030011330 | S.CERAMIC | C1608 CH 1H 391J-T-A |
| C271 | 4030006880 | S.CERAMIC | C1608 JB 1H 472K-T-A |
| C272 | 4030006860 | S.CERAMIC | C1608 JB 1H 102K-T-A |
| C273 | 4030006860 | S.CERAMIC | C1608 JB 1H 102K-T-A |
| C275 | 4030006970 | S.CERAMIC | C1608 CH 1H 060D-T-A |
| C276 | 4030006880 | S.CERAMIC | C1608 JB 1H 472K-T-A |
| C286 | 4030011600 | S.CERAMIC | C1608 JB 1C 104KT-N |
| C287 | 4030007060 | S.CERAMIC | C1608 CH 1H 270J-T-A |
| C288 | 4030011770 | S.CERAMIC | C1608 CH 1H 060B-T-A |
| C289 | 4030007030 | S.CERAMIC | C1608 CH 1H 150J-T-A |
| C290 | 4030011600 | S.CERAMIC | C1608 JB 1C 104KT-N |
| C291 | 4030007030 | S.CERAMIC | C1608 CH 1H 150J-T-A |
| C296 | 4030008560 | S.CERAMIC | C1608 CH 1H 300J-T-A |
| C298 | 4030007030 | S.CERAMIC | C1608 CH 1H 150J-T-A |
| C300 | 4030006860 | S.CERAMIC | C1608 JB 1H 102K-T-A |
| C301 | 4030007080 | S.CERAMIC | C1608 CH 1H 390J-T-A |
| C302 | 4030007170 | S.CERAMIC | C1608 CH 1H 221J-T-A |
| C303 | 4030006880 | S.CERAMIC | C1608 JB 1H 472K-T-A |
| C304 | 4030011600 | S.CERAMIC | C1608 JB 1C 104KT-N |
| C305 | 4030006860 | S.CERAMIC | C1608 JB 1H 102K-T-A |
| C306 | 4030007050 | S.CERAMIC | C1608 CH 1H 220J-T-A |
| C307 | 4030011770 | S.CERAMIC | C1608 CH 1H 060B-T-A |
| C308 | 4030007070 | S.CERAMIC | C1608 CH 1H 330J-T-A |
| C309 | 4030009520 | S.CERAMIC | C1608 CH 1H 020B-T-A |
| C311 | 4030011600 | S.CERAMIC | C1608 JB 1C 104KT-N |
| C312 | 4030006880 | S.CERAMIC | C1608 JB 1H 472K-T-A |
| C313 | 4030009500 | S.CERAMIC | C1608 CH 1H 0R5B-T-A |
| C314 | 4030011770 | S.CERAMIC | C1608 CH 1H 060B-T-A |
| C315 | 4030007040 | S.CERAMIC | C1608 CH 1H 180J-T-A |
| C316 | 4030009510 | S.CERAMIC | C1608 CH 1H 010B-T-A |
| C317 | 4030007040 | S.CERAMIC | C1608 CH 1H 180J-T-A |
| C318 | 4030006860 | S.CERAMIC | C1608 JB 1H 102K-T-A |
| C319 | 4030006860 | S.CERAMIC | C1608 JB 1H 102K-T-A |
| C320 | 4030006860 | S.CERAMIC | C1608 JB 1H 102K-T-A |
| C321 | 4030011600 | S.CERAMIC | C1608 JB 1C 104KT-N |
| C322 | 4030011600 | S.CERAMIC | C1608 JB 1C 104KT-N |
| C323 | 4030011600 | S.CERAMIC | C1608 JB 1C 104KT-N |
| C324 | 4030011600 | S.CERAMIC | C1608 JB 1C 104KT-N |
| C401 | 4030006880 | S.CERAMIC | C1608 JB 1H 472K-T-A |
| C1001 | 4030006880 | S.CERAMIC | C1608 JB 1H 472K-T-A |
| C1002 | 4510004630 | S.ELECTROLYTIC | ECEV1CA100SR |
| C1003 | 4030006880 | S.CERAMIC | C1608 JB 1H 472K-T-A |
| C1004 | 4510004630 | S.ELECTROLYTIC | ECEV1CA100SR |
| C1005 | 4030006880 | S.CERAMIC | C1608 JB 1H 472K-T-A |
| C1006 | 4030006880 | S.CERAMIC | C1608 JB 1H 472K-T-A |
| C1008 | 4030006880 | S.CERAMIC | C1608 JB 1H 472K-T-A |
| C1011 | 4030006880 | S.CERAMIC | C1608 JB 1H 472K-T-A |
| C1012 | 4030006880 | S.CERAMIC | C1608 JB 1H 472K-T-A |
| C1013 | 4030006880 | S.CERAMIC | C1608 JB 1H 472K-T-A |
| C1014 | 4030006880 | S.CERAMIC | C1608 JB 1H 472K-T-A |
| C1031 | 4030006880 | S.CERAMIC | C1608 JB 1H 472K-T-A |
| C1032 | 4030006880 | S.CERAMIC | C1608 JB 1H 472K-T-A |
| C1051 | 4030006880 | S.CERAMIC | C1608 JB 1H 472K-T-A |
| C1052 | 4510004630 | S.ELECTROLYTIC | ECEV1CA100SR |
| C1053 | 4030006880 | S.CERAMIC | C1608 JB 1H 472K-T-A |
| C1054 | 4510004630 | S.ELECTROLYTIC | ECEV1CA100SR |
| C1055 | 4030006880 | S.CERAMIC | C1608 JB 1H 472K-T-A |
| C1057 | 4030006880 | S.CERAMIC | C1608 JB 1H 472K-T-A |
| C1059 | 4510004630 | S.ELECTROLYTIC | ECEV1CA100SR |
| C1071 | 4030006860 | S.CERAMIC | C1608 JB 1H 102K-T-A |
| C1073 | 4030006860 | S.CERAMIC | C1608 JB 1H 102K-T-A |
| C1081 | 4030011600 | S.CERAMIC | C1608 JB 1C 104KT-N |
| C1082 | 4030006880 | S.CERAMIC | C1608 JB 1H 472K-T-A |
| C1101 | 4510004630 | S.ELECTROLYTIC | ECEV1CA100SR |
| C1102 | 4030011600 | S.CERAMIC | C1608 JB 1C 104KT-N |
| C1103 | 4030011600 | S.CERAMIC | C1608 JB 1C 104KT-N |
| C1104 | 4030011600 | S.CERAMIC | C1608 JB 1C 104KT-N |
| C1105 | 4030011600 | S.CERAMIC | C1608 JB 1C 104KT-N |
| C1106 | 4030011600 | S.CERAMIC | C1608 JB 1C 104KT-N |
| C1107 | 4030011600 | S.CERAMIC | C1608 JB 1C 104KT-N |
| C1108 | 4030011600 | S.CERAMIC | C1608 JB 1C 104KT-N |
| C1109 | 4030011600 | S.CERAMIC | C1608 JB 1C 104KT-N |

[RF UNIT]

| REF NO. | ORDER NO. | DESCRIPTION | |
|---------|------------|----------------|----------------------|
| C1110 | 4030011600 | S.CERAMIC | C1608 JB 1C 104KT-N |
| C1111 | 4030011600 | S.CERAMIC | C1608 JB 1C 104KT-N |
| C1112 | 4030011600 | S.CERAMIC | C1608 JB 1C 104KT-N |
| C1113 | 4030011600 | S.CERAMIC | C1608 JB 1C 104KT-N |
| C1114 | 4030011600 | S.CERAMIC | C1608 JB 1C 104KT-N |
| C1115 | 4030011600 | S.CERAMIC | C1608 JB 1C 104KT-N |
| C1116 | 4030011600 | S.CERAMIC | C1608 JB 1C 104KT-N |
| C1117 | 4030011600 | S.CERAMIC | C1608 JB 1C 104KT-N |
| C1118 | 4030011600 | S.CERAMIC | C1608 JB 1C 104KT-N |
| C1119 | 4030006880 | S.CERAMIC | C1608 JB 1H 472K-T-A |
| C1120 | 4030011600 | S.CERAMIC | C1608 JB 1C 104KT-N |
| C1121 | 4550006250 | S.TANTALUM | TEMSVA 1A 106M-8L |
| C1122 | 4030006880 | S.CERAMIC | C1608 JB 1H 472K-T-A |
| C1131 | 4030011600 | S.CERAMIC | C1608 JB 1C 104KT-N |
| C1141 | 4030006880 | S.CERAMIC | C1608 JB 1H 472K-T-A |
| C1151 | 4030006880 | S.CERAMIC | C1608 JB 1H 472K-T-A |
| C1161 | 4030006880 | S.CERAMIC | C1608 JB 1H 472K-T-A |
| C1162 | 4030006880 | S.CERAMIC | C1608 JB 1H 472K-T-A |
| C1163 | 4030006880 | S.CERAMIC | C1608 JB 1H 472K-T-A |
| C1164 | 4030006880 | S.CERAMIC | C1608 JB 1H 472K-T-A |
| C1191 | 4030011600 | S.CERAMIC | C1608 JB 1C 104KT-N |
| C1202 | 4030007150 | S.CERAMIC | C1608 CH 1H 151J-T-A |
| C1203 | 4030006880 | S.CERAMIC | C1608 JB 1H 472K-T-A |
| C1204 | 4030011340 | S.CERAMIC | C1608 CH 1H 471J-T-A |
| C1205 | 4030006880 | S.CERAMIC | C1608 JB 1H 472K-T-A |
| C1206 | 4030009520 | S.CERAMIC | C1608 CH 1H 020B-T-A |
| C1207 | 4030006880 | S.CERAMIC | C1608 JB 1H 472K-T-A |
| C1208 | 4610001270 | S.TRIMMER | ECR-JA010 A12W |
| C1209 | 4030009990 | S.CERAMIC | C1608 CH 1H 200J-T-A |
| C1222 | 4030007150 | S.CERAMIC | C1608 CH 1H 151J-T-A |
| C1223 | 4030006880 | S.CERAMIC | C1608 JB 1H 472K-T-A |
| C1224 | 4030011340 | S.CERAMIC | C1608 CH 1H 471J-T-A |
| C1225 | 4030006880 | S.CERAMIC | C1608 JB 1H 472K-T-A |
| C1226 | 4030009510 | S.CERAMIC | C1608 CH 1H 010B-T-A |
| C1227 | 4030006880 | S.CERAMIC | C1608 JB 1H 472K-T-A |
| C1228 | 4610001270 | S.TRIMMER | ECR-JA010 A12W |
| C1242 | 4030007100 | S.CERAMIC | C1608 CH 1H 560J-T-A |
| C1243 | 4030006880 | S.CERAMIC | C1608 JB 1H 472K-T-A |
| C1244 | 4030011340 | S.CERAMIC | C1608 CH 1H 471J-T-A |
| C1245 | 4030006880 | S.CERAMIC | C1608 JB 1H 472K-T-A |
| C1246 | 4030009510 | S.CERAMIC | C1608 CH 1H 010B-T-A |
| C1247 | 4030006880 | S.CERAMIC | C1608 JB 1H 472K-T-A |
| C1248 | 4610001170 | S.TRIMMER | ECR-JA006 A12W |
| C1249 | 4030009910 | S.CERAMIC | C1608 CH 1H 040B-T-A |
| C1262 | 4030009990 | S.CERAMIC | C1608 CH 1H 200J-T-A |
| C1263 | 4030006880 | S.CERAMIC | C1608 JB 1H 472K-T-A |
| C1264 | 4030011340 | S.CERAMIC | C1608 CH 1H 471J-T-A |
| C1265 | 4030006880 | S.CERAMIC | C1608 JB 1H 472K-T-A |
| C1266 | 4030009510 | S.CERAMIC | C1608 CH 1H 010B-T-A |
| C1267 | 4030006880 | S.CERAMIC | C1608 JB 1H 472K-T-A |
| C1268 | 4610001170 | S.TRIMMER | ECR-JA006 A12W |
| C1269 | 4030009540 | S.CERAMIC | C1608 CH 1H 1R5B-T-A |
| C1281 | 4030006880 | S.CERAMIC | C1608 JB 1H 472K-T-A |
| C1282 | 4030006880 | S.CERAMIC | C1608 JB 1H 472K-T-A |
| C1284 | 4030006880 | S.CERAMIC | C1608 JB 1H 472K-T-A |
| C1291 | 4030007080 | S.CERAMIC | C1608 CH 1H 390J-T-A |
| C1292 | 4030007120 | S.CERAMIC | C1608 CH 1H 820J-T-A |
| C1293 | 4030007080 | S.CERAMIC | C1608 CH 1H 390J-T-A |
| C1301 | 4030007080 | S.CERAMIC | C1608 CH 1H 390J-T-A |
| C1302 | 4030007130 | S.CERAMIC | C1608 CH 1H 101J-T-A |
| C1303 | 4610001260 | S.TRIMMER | ECR-JA020 E12W |
| C1304 | 4030007150 | S.CERAMIC | C1608 CH 1H 151J-T-A |
| C1305 | 4510004630 | S.ELECTROLYTIC | ECEV1CA100SR |
| C1306 | 4030006880 | S.CERAMIC | C1608 JB 1H 472K-T-A |
| C1307 | 4030006880 | S.CERAMIC | C1608 JB 1H 472K-T-A |
| C1308 | 4030007150 | S.CERAMIC | C1608 CH 1H 151J-T-A |
| C1309 | 4030007150 | S.CERAMIC | C1608 CH 1H 151J-T-A |
| C1310 | 4030007010 | S.CERAMIC | C1608 CH 1H 100D-T-A |
| C1311 | 4030006880 | S.CERAMIC | C1608 JB 1H 472K-T-A |
| C1312 | 4030011600 | S.CERAMIC | C1608 JB 1C 104KT-N |
| C1408 | 4030006880 | S.CERAMIC | C1608 JB 1H 472K-T-A |
| C1409 | 4030006880 | S.CERAMIC | C1608 JB 1H 472K-T-A |
| C1410 | 4030006880 | S.CERAMIC | C1608 JB 1H 472K-T-A |
| C1411 | 4030006880 | S.CERAMIC | C1608 JB 1H 472K-T-A |
| C1412 | 4030006880 | S.CERAMIC | C1608 JB 1H 472K-T-A |
| C1422 | 4030007060 | S.CERAMIC | C1608 CH 1H 270J-T-A |
| C1423 | 4030007030 | S.CERAMIC | C1608 CH 1H 150J-T-A |
| C1424 | 4030007060 | S.CERAMIC | C1608 CH 1H 270J-T-A |
| C1425 | 4030007080 | S.CERAMIC | C1608 CH 1H 390J-T-A |
| C1426 | 4030006880 | S.CERAMIC | C1608 JB 1H 472K-T-A |
| C1427 | 4030006880 | S.CERAMIC | C1608 JB 1H 472K-T-A |
| C1428 | 4030007120 | S.CERAMIC | C1608 CH 1H 820J-T-A |

S.=Surface mount

[RF UNIT]

| REF NO. | ORDER NO. | DESCRIPTION | |
|---------|------------|----------------|----------------------|
| C1429 | 4030007080 | S.CERAMIC | C1608 CH 1H 390J-T-A |
| C1501 | 4030006880 | S.CERAMIC | C1608 JB 1H 472K-T-A |
| C1502 | 4030006880 | S.CERAMIC | C1608 JB 1H 472K-T-A |
| C1503 | 4030006880 | S.CERAMIC | C1608 JB 1H 472K-T-A |
| C1521 | 4030006880 | S.CERAMIC | C1608 JB 1H 472K-T-A |
| C1522 | 4030007030 | S.CERAMIC | C1608 CH 1H 150J-T-A |
| C1523 | 4030007070 | S.CERAMIC | C1608 CH 1H 330J-T-A |
| C1524 | 4030007000 | S.CERAMIC | C1608 CH 1H 090D-T-A |
| C1525 | 4030007030 | S.CERAMIC | C1608 CH 1H 150J-T-A |
| C1526 | 4030009530 | S.CERAMIC | C1608 CH 1H 030B-T-A |
| C1527 | 4030007050 | S.CERAMIC | C1608 CH 1H 220J-T-A |
| C1528 | 4030009920 | S.CERAMIC | C1608 CH 1H 050B-T-A |
| C1529 | 4030007030 | S.CERAMIC | C1608 CH 1H 150J-T-A |
| C1530 | 4030007130 | S.CERAMIC | C1608 CH 1H 101J-T-A |
| C1531 | 4030007040 | S.CERAMIC | C1608 CH 1H 180J-T-A |
| C1561 | 4030006880 | S.CERAMIC | C1608 JB 1H 472K-T-A |
| C1562 | 4030007080 | S.CERAMIC | C1608 CH 1H 390J-T-A |
| C1563 | 4030007010 | S.CERAMIC | C1608 CH 1H 100D-T-A |
| C1564 | 4030007080 | S.CERAMIC | C1608 CH 1H 390J-T-A |
| C1565 | 4030006980 | S.CERAMIC | C1608 CH 1H 070D-T-A |
| C1567 | 4030007060 | S.CERAMIC | C1608 CH 1H 270J-T-A |
| C1581 | 4030006880 | S.CERAMIC | C1608 JB 1H 472K-T-A |
| C1582 | 4030007070 | S.CERAMIC | C1608 CH 1H 330J-T-A |
| C1583 | 4030006980 | S.CERAMIC | C1608 CH 1H 070D-T-A |
| C1584 | 4030007060 | S.CERAMIC | C1608 CH 1H 270J-T-A |
| C1585 | 4030009920 | S.CERAMIC | C1608 CH 1H 050B-T-A |
| C1586 | 4030007050 | S.CERAMIC | C1608 CH 1H 220J-T-A |
| C1601 | 4510004630 | S.ELECTROLYTIC | ECEV1CA100SR |
| C1602 | 4030011600 | S.CERAMIC | C1608 JB 1C 104KT-N |
| C1603 | 4030011600 | S.CERAMIC | C1608 JB 1C 104KT-N |
| C1604 | 4030011600 | S.CERAMIC | C1608 JB 1C 104KT-N |
| C1605 | 4030011600 | S.CERAMIC | C1608 JB 1C 104KT-N |
| C1606 | 4030006880 | S.CERAMIC | C1608 JB 1H 472K-T-A |
| C1607 | 4030011600 | S.CERAMIC | C1608 JB 1C 104KT-N |
| C1608 | 4030011600 | S.CERAMIC | C1608 JB 1C 104KT-N |
| C1609 | 4030007040 | S.CERAMIC | C1608 CH 1H 180J-T-A |
| C1610 | 4030009920 | S.CERAMIC | C1608 CH 1H 050B-T-A |
| C1611 | 4030007070 | S.CERAMIC | C1608 CH 1H 330J-T-A |
| C1612 | 4030009520 | S.CERAMIC | C1608 CH 1H 020B-T-A |
| C1613 | 4030007040 | S.CERAMIC | C1608 CH 1H 180J-T-A |
| C1615 | 4030007040 | S.CERAMIC | C1608 CH 1H 180J-T-A |
| C1616 | 4030007090 | S.CERAMIC | C1608 CH 1H 470J-T-A |
| C1617 | 4030007040 | S.CERAMIC | C1608 CH 1H 180J-T-A |
| C1630 | 4030011600 | S.CERAMIC | C1608 JB 1C 104KT-N |
| C1701 | 4510004630 | S.ELECTROLYTIC | ECEV1CA100SR |
| C1702 | 4030011600 | S.CERAMIC | C1608 JB 1C 104KT-N |
| C1703 | 4030011600 | S.CERAMIC | C1608 JB 1C 104KT-N |
| C1704 | 4030011600 | S.CERAMIC | C1608 JB 1C 104KT-N |
| C1705 | 4030011600 | S.CERAMIC | C1608 JB 1C 104KT-N |
| C1706 | 4030006880 | S.CERAMIC | C1608 JB 1H 472K-T-A |
| C1707 | 4030007040 | S.CERAMIC | C1608 CH 1H 180J-T-A |
| C1708 | 4030009920 | S.CERAMIC | C1608 CH 1H 050B-T-A |
| C1709 | 4030007070 | S.CERAMIC | C1608 CH 1H 330J-T-A |
| C1710 | 4030009520 | S.CERAMIC | C1608 CH 1H 020B-T-A |
| C1711 | 4030007040 | S.CERAMIC | C1608 CH 1H 180J-T-A |
| C1714 | 4030007040 | S.CERAMIC | C1608 CH 1H 180J-T-A |
| C1715 | 4550006780 | S.TANTALUM | TEMSVB2 0J 476M-8R |
| C1720 | 4030011600 | S.CERAMIC | C1608 JB 1C 104KT-N |
| C1721 | 4030011600 | S.CERAMIC | C1608 JB 1C 104KT-N |
| C1730 | 4030011600 | S.CERAMIC | C1608 JB 1C 104KT-N |
| C1731 | 4030006880 | S.CERAMIC | C1608 JB 1H 472K-T-A |
| C1801 | 4030006880 | S.CERAMIC | C1608 JB 1H 472K-T-A |
| C1802 | 4030006880 | S.CERAMIC | C1608 JB 1H 472K-T-A |
| C1803 | 4030007010 | S.CERAMIC | C1608 CH 1H 100D-T-A |
| C1804 | 4030007060 | S.CERAMIC | C1608 CH 1H 270J-T-A |
| C1805 | 4030007060 | S.CERAMIC | C1608 CH 1H 270J-T-A |
| C1806 | 4030006880 | S.CERAMIC | C1608 JB 1H 472K-T-A |
| C1807 | 4030007130 | S.CERAMIC | C1608 CH 1H 101J-T-A |
| C1809 | 4030011600 | S.CERAMIC | C1608 JB 1C 104KT-N |
| C1810 | 4030011600 | S.CERAMIC | C1608 JB 1C 104KT-N |
| C1811 | 4550006480 | S.TANTALUM | TEMSVA 1C 475M-8L |
| C1812 | 4560000080 | CERAMIC | D33Y5V 1H 103Z21 |
| C1814 | 4030007030 | S.CERAMIC | C1608 CH 1H 150J-T-A |
| C1816 | 4030006880 | S.CERAMIC | C1608 JB 1H 472K-T-A |
| C1817 | 4030006880 | S.CERAMIC | C1608 JB 1H 472K-T-A |
| C1818 | 4030011340 | S.CERAMIC | C1608 CH 1H 471J-T-A |
| C1819 | 4030007100 | S.CERAMIC | C1608 CH 1H 560J-T-A |
| C1820 | 4030009580 | S.CERAMIC | C1608 JB 1H 681K-T-A |
| C1856 | 4030011340 | S.CERAMIC | C1608 CH 1H 471J-T-A |
| C1857 | 4550006480 | S.TANTALUM | TEMSVA 1C 475M-8L |
| C1858 | 4030011600 | S.CERAMIC | C1608 JB 1C 104KT-N |
| C1904 | 4030007100 | S.CERAMIC | C1608 CH 1H 560J-T-A |

[RF UNIT]

| REF NO. | ORDER NO. | DESCRIPTION | |
|---------|------------|-------------|-------------------------|
| C1905 | 4030006880 | S.CERAMIC | C1608 JB 1H 472K-T-A |
| C1906 | 4030006880 | S.CERAMIC | C1608 JB 1H 472K-T-A |
| C1908 | 4030006880 | S.CERAMIC | C1608 JB 1H 472K-T-A |
| C1909 | 4030007100 | S.CERAMIC | C1608 CH 1H 560J-T-A |
| C1916 | 4030006880 | S.CERAMIC | C1608 JB 1H 472K-T-A |
| C1917 | 4030006880 | S.CERAMIC | C1608 JB 1H 472K-T-A |
| C1918 | 4030006880 | S.CERAMIC | C1608 JB 1H 472K-T-A |
| C1919 | 4030006880 | S.CERAMIC | C1608 JB 1H 472K-T-A |
| C1920 | 4030007170 | S.CERAMIC | C1608 CH 1H 221J-T-A |
| C1921 | 4030007060 | S.CERAMIC | C1608 CH 1H 270J-T-A |
| C1922 | 4030006880 | S.CERAMIC | C1608 JB 1H 472K-T-A |
| C1923 | 4030009510 | S.CERAMIC | C1608 CH 1H 010B-T-A |
| C1924 | 4030007060 | S.CERAMIC | C1608 CH 1H 270J-T-A |
| C1925 | 4030006880 | S.CERAMIC | C1608 JB 1H 472K-T-A |
| C1926 | 4030006880 | S.CERAMIC | C1608 JB 1H 472K-T-A |
| C1927 | 4030006880 | S.CERAMIC | C1608 JB 1H 472K-T-A |
| C1928 | 4030006880 | S.CERAMIC | C1608 JB 1H 472K-T-A |
| C1931 | 4030011600 | S.CERAMIC | C1608 JB 1C 104KT-N |
| RL1 | 6330001320 | RELAY | AHY103 |
| J1 | 6510007020 | CONNECTOR | TMP-J01X-V6 |
| J2 | 6510019990 | S.CONNECTOR | 52808-2290 |
| J121 | 6510007020 | CONNECTOR | TMP-J01X-V6 |
| J151 | 6510007020 | CONNECTOR | TMP-J01X-V6 |
| J262 | 6510007020 | CONNECTOR | TMP-J01X-V6 |
| J401 | 6450001490 | CONNECTOR | HLJ7001-01-3010 |
| J1001 | 6510019990 | S.CONNECTOR | 52808-2290 |
| J1500 | 6510003250 | CONNECTOR | TMP-J01X-A2 |
| W151 | 7030003860 | S.JUMPER | ERJ3GE JPW V |
| W301 | 7030008240 | S.JUMPER | ERJ12YJ0R00H |
| W302 | 7030008240 | S.JUMPER | ERJ12YJ0R00H |
| W303 | 7030008240 | S.JUMPER | ERJ12YJ0R00H |
| W1001 | 7030009300 | S.JUMPER | ERJ1WY0R00H |
| W1002 | 7030009300 | S.JUMPER | ERJ1WY0R00H |
| W1003 | 7030009300 | S.JUMPER | ERJ1WY0R00H |
| W1004 | 7030009300 | S.JUMPER | ERJ1WY0R00H |
| W1081 | 7030003860 | S.JUMPER | ERJ3GE JPW V |
| W1201 | 7030003860 | S.JUMPER | ERJ3GE JPW V |
| W1203 | 7030003860 | S.JUMPER | ERJ3GE JPW V |
| W1403 | 7030003860 | S.JUMPER | ERJ3GE JPW V |
| W1404 | 7030003860 | S.JUMPER | ERJ3GE JPW V |
| W1405 | 7030003860 | S.JUMPER | ERJ3GE JPW V |
| W1406 | 7030003860 | S.JUMPER | ERJ3GE JPW V |
| W1407 | 7030003860 | S.JUMPER | ERJ3GE JPW V |
| W1408 | 7030003860 | S.JUMPER | ERJ3GE JPW V |
| W1601 | 7030003860 | S.JUMPER | ERJ3GE JPW V |
| W1604 | 7030003860 | S.JUMPER | ERJ3GE JPW V |
| W1605 | 7030003860 | S.JUMPER | ERJ3GE JPW V |
| W1701 | 7030003860 | S.JUMPER | ERJ3GE JPW V |
| W1702 | 7030003860 | S.JUMPER | ERJ3GE JPW V |
| W1703 | 7030003860 | S.JUMPER | ERJ3GE JPW V |
| W1704 | 7030003860 | S.JUMPER | ERJ3GE JPW V |
| W1705 | 7030003860 | S.JUMPER | ERJ3GE JPW V |
| W1902 | 7030003860 | S.JUMPER | ERJ3GE JPW V |
| WS1 | 8970023092 | CABLE | 1.5(d) COAXIAL-2 (4)/RF |
| EP1 | 0910049428 | PCB | B 5082H |

S.=Surface mount

[PA UNIT]

| REF NO. | ORDER NO. | DESCRIPTION | |
|---------|------------|--------------|------------------|
| IC1 | 1180000420 | S.IC | TA78L05F (TE12R) |
| IC2 | 1110002020 | IC | TA7805S |
| IC3 | 1110002030 | IC | TA7808S |
| IC501 | 1160000130 | S.IC | TD62783AF (TP1) |
| IC502 | 1130007700 | S.IC | BU4094BCF-T1 |
| Q1 | 1560000960 | S.FET | 2SK2596BXTL |
| Q2 | 1530000790 | TRANSISTOR | 2SC1971 |
| Q3 | 1530000800 | TRANSISTOR | 2SC1972 |
| Q4 | 1530000800 | TRANSISTOR | 2SC1972 |
| Q5 | 1530000880 | TRANSISTOR | 2SC2694 |
| Q6 | 1530000880 | TRANSISTOR | 2SC2694 |
| Q7 | 1540000200 | TRANSISTOR | 2SD1406 Y |
| Q9 | 1590001150 | S.TRANSISTOR | UN9211(TX) |
| Q10 | 1530002060 | S.TRANSISTOR | 2SC4081 T107 R |
| Q11 | 1530002060 | S.TRANSISTOR | 2SC4081 T107 R |
| Q12 | 1520000650 | S.TRANSISTOR | 2SB1201-S-TL |
| Q13 | 1520000650 | S.TRANSISTOR | 2SB1201-S-TL |
| Q14 | 1590000680 | S.TRANSISTOR | DTC114EUA T106 |
| Q15 | 1590000680 | S.TRANSISTOR | DTC114EUA T106 |
| Q16 | 1590001330 | S.TRANSISTOR | DTA114EUA T106 |
| Q17 | 1590001330 | S.TRANSISTOR | DTA114EUA T106 |
| Q18 | 1590001330 | S.TRANSISTOR | DTA114EUA T106 |
| Q19 | 1590000680 | S.TRANSISTOR | DTC114EUA T106 |
| Q20 | 1590000680 | S.TRANSISTOR | DTC114EUA T106 |
| Q21 | 1590000680 | S.TRANSISTOR | DTC114EUA T106 |
| Q201 | 1530000880 | TRANSISTOR | 2SC2694 |
| Q202 | 1530000880 | TRANSISTOR | 2SC2694 |
| Q203 | 1540000200 | TRANSISTOR | 2SD1406 Y |
| Q204 | 1590000680 | S.TRANSISTOR | DTC114EUA T106 |
| Q205 | 1590001330 | S.TRANSISTOR | DTA114EUA T106 |
| Q602 | 1590000680 | S.TRANSISTOR | DTC114EUA T106 |
| Q604 | 1590001330 | S.TRANSISTOR | DTA114EUA T106 |
| Q605 | 1590000680 | S.TRANSISTOR | DTC114EUA T106 |
| D1 | 1790000720 | DIODE | MA29W-B |
| D2 | 1790000710 | VARIATOR | MA29B |
| D3 | 1790000710 | VARIATOR | MA29B |
| D4 | 1790000700 | DIODE | DSA3A1 |
| D5 | 1790000700 | DIODE | DSA3A1 |
| D7 | 1160000140 | S.DIODE | DAP222 TL |
| D8 | 1790000700 | DIODE | DSA3A1 |
| D9 | 1160000140 | S.DIODE | DAP222 TL |
| D10 | 1710000970 | DIODE | MA185 |
| D11 | 1160000140 | S.DIODE | DAP222 TL |
| D12 | 1730000840 | S.ZENER | RD9.1M-T2B2 |
| D13 | 1710000160 | DIODE | 1SS133 |
| D201 | 1790000710 | VARIATOR | MA29B |
| D202 | 1790000710 | VARIATOR | MA29B |
| D601 | 1160000140 | S.DIODE | DAP222 TL |
| D602 | 1720000360 | S.DIODE | HSU88TRF |
| D603 | 1720000360 | S.DIODE | HSU88TRF |
| D605 | 1750000450 | S.DIODE | 1SV265-TL |
| L1 | 6140002220 | COIL | LR-270 |
| L2 | 6200003260 | S.COIL | NL 322522T-101J |
| L3 | 6140003070 | COIL | LR-355 |
| L4 | 6140002220 | COIL | LR-270 |
| L6 | 2040000490 | COIL | EXC-ELDR25C |
| L7 | 6140003420 | COIL | LR-384 |
| L8 | 2040000490 | COIL | EXC-ELDR25C |
| L10 | 6140003410 | COIL | LR-383 |
| L11 | 2040000490 | COIL | EXC-ELDR25C |
| L12 | 2040000490 | COIL | EXC-ELDR25C |
| L13 | 6140003040 | COIL | LR-322B |
| L14 | 2040000490 | COIL | EXC-ELDR25C |
| L15 | 2040000490 | COIL | EXC-ELDR25C |
| L16 | 2040000490 | COIL | EXC-ELDR25C |
| L17 | 6140000610 | COIL | LR-83 |
| L18 | 6140003350 | COIL | LR-376 |
| L19 | 6140002030 | COIL | LR-230 |
| L20 | 6110001730 | COIL | LA-262 |
| L21 | 6200003260 | S.COIL | NL 322522T-101J |
| L22 | 2040000490 | COIL | EXC-ELDR25C |
| L23 | 2040000490 | COIL | EXC-ELDR25C |
| L201 | 6170000070 | COIL | LW-9 |
| L202 | 6110001740 | COIL | LA-263 |
| L203 | 6110001740 | COIL | LA-263 |
| L204 | 6110001360 | COIL | LA-179 |

[PA UNIT]

| REF NO. | ORDER NO. | DESCRIPTION | |
|---------|------------|-------------|-------------------------|
| L205 | 6170000340 | COIL | LW-33 |
| L206 | 6110002060 | COIL | LA-300 |
| L207 | 2040000490 | COIL | EXC-ELDR25C |
| L501 | 6140002570 | COIL | LR-294 |
| L502 | 6140002580 | COIL | LR-295 |
| L503 | 6140001780 | COIL | LR-214 |
| L504 | 6140001800 | COIL | LR-216 |
| L505 | 6140001800 | COIL | LR-216 |
| L506 | 6140001800 | COIL | LR-216 |
| L507 | 6140002560 | COIL | LR-293 |
| L508 | 6140002560 | COIL | LR-293 |
| L509 | 6110002920 | COIL | LA-481 |
| L510 | 6110002910 | COIL | LA-480 |
| L511 | 6140003460 | COIL | LR-388 |
| L512 | 6140003460 | COIL | LR-388 |
| L513 | 6200003260 | S.COIL | NL 322522T-101J |
| L515 | 6200003260 | S.COIL | NL 322522T-101J |
| L517 | 6200003260 | S.COIL | NL 322522T-101J |
| L518 | 6200001830 | S.COIL | NL 322522T-100J |
| L519 | 6200003260 | S.COIL | NL 322522T-101J |
| L521 | 6200001830 | S.COIL | NL 322522T-100J |
| L522 | 6200001830 | S.COIL | NL 322522T-100J |
| L523 | 6200001830 | S.COIL | NL 322522T-100J |
| L524 | 6200001830 | S.COIL | NL 322522T-100J |
| L528 | 6140002560 | COIL | LR-293 |
| L529 | 6110003540 | COIL | LA-548 |
| L530 | 6110003540 | COIL | LA-548 |
| L531 | 6110003550 | COIL | LA-547 |
| L532 | 6200001830 | S.COIL | NL 322522T-100J |
| L533 | 6200001830 | S.COIL | NL 322522T-100J |
| L534 | 6140003450 | COIL | LR-387 |
| L601 | 6110001340 | COIL | LA-177 |
| L602 | 6110001340 | COIL | LA-177 |
| L603 | 6110001330 | COIL | LA-176 |
| L604 | 6200004740 | S.COIL | NL 252018T-1R2J |
| L605 | 6200004740 | S.COIL | NL 252018T-1R2J |
| R1 | 7030003440 | S.RESISTOR | ERJ3GEYJ 102 V (1 kΩ) |
| R2 | 7030003360 | S.RESISTOR | ERJ3GEYJ 221 V (220 Ω) |
| R3 | 7030000140 | S.RESISTOR | MCR10EZJH 10 Ω (100) |
| R4 | 7030003400 | S.RESISTOR | ERJ3GEYJ 471 V (470 Ω) |
| R5 | 7030003390 | S.RESISTOR | ERJ3GEYJ 391 V (390 Ω) |
| R6 | 7030003360 | S.RESISTOR | ERJ3GEYJ 221 V (220 Ω) |
| R7 | 7030006210 | S.RESISTOR | ERJ12YJ4R7H (4.7 Ω) |
| R8 | 7030003380 | S.RESISTOR | ERJ3GEYJ 331 V (330 Ω) |
| R9 | 7030003400 | S.RESISTOR | ERJ3GEYJ 471 V (470 Ω) |
| R11 | 7310003750 | TRIMMER | EVN-2ACA00 B52 (501) |
| R12 | 7030003300 | S.RESISTOR | ERJ3GEYJ 680 V (68 Ω) |
| R13 | 7030000260 | S.RESISTOR | MCR10EZJH 100 Ω (101) |
| R14 | 7030000260 | S.RESISTOR | MCR10EZJH 100 Ω (101) |
| R15 | 7070000870 | RESISTOR | ERG2SJ 270 |
| R16 | 7070000870 | RESISTOR | ERG2SJ 270 |
| R17 | 7070000511 | RESISTOR | ERG1SJ 180 (18 Ω) |
| R18 | 7310003240 | TRIMMER | EVN-2ACA00 B23 (202) |
| R19 | 7030003400 | S.RESISTOR | ERJ3GEYJ 471 V (470 Ω) |
| R20 | 7030009310 | S.RESISTOR | ERJ1WYJ2R2H (2.2 Ω) |
| R21 | 7030009310 | S.RESISTOR | ERJ1WYJ2R2H (2.2 Ω) |
| R23 | 7030009310 | S.RESISTOR | ERJ1WYJ2R2H (2.2 Ω) |
| R24 | 7030009310 | S.RESISTOR | ERJ1WYJ2R2H (2.2 Ω) |
| R26 | 7030006060 | S.RESISTOR | ERJ12YJ100H (10 Ω) |
| R27 | 7030006060 | S.RESISTOR | ERJ12YJ100H (10 Ω) |
| R28 | 7100000640 | RESISTOR | 5 SI 0.012 Ω (J) |
| R29 | 7030003440 | S.RESISTOR | ERJ3GEYJ 102 V (1 kΩ) |
| R31 | 7030003440 | S.RESISTOR | ERJ3GEYJ 102 V (1 kΩ) |
| R32 | 7030007630 | S.RESISTOR | MCR100JZHJ 0.68 Ω (R68) |
| R33 | 7030007630 | S.RESISTOR | MCR100JZHJ 0.68 Ω (R68) |
| R34 | 7030007630 | S.RESISTOR | MCR100JZHJ 0.68 Ω (R68) |
| R35 | 7030007630 | S.RESISTOR | MCR100JZHJ 0.68 Ω (R68) |
| R38 | 7070000251 | RESISTOR | ERX2SJ 4R7 (4.7 Ω) |
| R41 | 7030008000 | S.RESISTOR | ERJ1WYJ3R3H (3.3 Ω) |
| R42 | 7030008000 | S.RESISTOR | ERJ1WYJ3R3H (3.3 Ω) |
| R44 | 7070000681 | RESISTOR | ERX3SJ 3R9 (3.9 Ω) |
| R45 | 7030006090 | S.RESISTOR | RR0816P-272-D (2.7 kΩ) |
| R46 | 7030005320 | S.RESISTOR | RR0816P-103-D (10 kΩ) |
| R47 | 7030005690 | S.RESISTOR | RR0816P-123-D (12 kΩ) |
| R48 | 7030006460 | S.RESISTOR | RR0816P-152-D (1.5 kΩ) |
| R49 | 7030003440 | S.RESISTOR | ERJ3GEYJ 102 V (1 kΩ) |
| R50 | 7510001170 | THERMISTOR | GA20-3U503JB |
| R51 | 7030006140 | S.RESISTOR | ERJ1WYJ560H (56 Ω) |
| R52 | 7030006060 | S.RESISTOR | ERJ12YJ100H (10 Ω) |
| R53 | 7030003440 | S.RESISTOR | ERJ3GEYJ 102 V (1 kΩ) |

S.=Surface mount

[PA UNIT]

| REF NO. | ORDER NO. | DESCRIPTION | |
|---------|------------|--------------|-------------------------|
| R54 | 7030003440 | S.RESISTOR | ERJ3GEYJ 102 V (1 kΩ) |
| R55 | 7030003560 | S.RESISTOR | ERJ3GEYJ 103 V (10 kΩ) |
| R56 | 7030003560 | S.RESISTOR | ERJ3GEYJ 103 V (10 kΩ) |
| R60 | 7030009490 | S.RESISTOR | ERJ1WYJ221H (220 Ω) |
| R61 | 7030003530 | S.RESISTOR | ERJ3GEYJ 562 V (5.6 kΩ) |
| R62 | 7030009260 | S.RESISTOR | ERJ1WYJ561H (560 Ω) |
| R63 | 7010007360 | RESISTOR | PSD1/4 220 Ω |
| R64 | 7030000370 | S.RESISTOR | MCR10EZJH 820 Ω (821) |
| R65 | 7030003530 | S.RESISTOR | ERJ3GEYJ 562 V (5.6 kΩ) |
| R66 | 7030000020 | S.RESISTOR | MCR10EZJH 1 Ω (010) |
| R67 | 7030000020 | S.RESISTOR | MCR10EZJH 1 Ω (010) |
| R68 | 7030000020 | S.RESISTOR | MCR10EZJH 1 Ω (010) |
| R69 | 7030000020 | S.RESISTOR | MCR10EZJH 1 Ω (010) |
| R70 | 7030006180 | S.RESISTOR | ERJ1WYJ101H (100 Ω) |
| R201 | 7070000381 | RESISTOR | ERG2SJ 100 (10 Ω) |
| R202 | 7070000381 | RESISTOR | ERG2SJ 100 (10 Ω) |
| R203 | 7030003390 | S.RESISTOR | ERJ3GEYJ 391 V (390 Ω) |
| R204 | 7310003240 | TRIMMER | EVN-2ACA00 B23 (202) |
| R205 | 7030008190 | S.RESISTOR | ERJ12YJ330H (33 Ω) |
| R206 | 7510001170 | THERMISTOR | GA20-3U503JB |
| R207 | 7030008190 | S.RESISTOR | ERJ12YJ330H (33 Ω) |
| R208 | 7030008190 | S.RESISTOR | ERJ12YJ330H (33 Ω) |
| R401 | 7030003400 | S.RESISTOR | ERJ3GEYJ 471 V (470 Ω) |
| R402 | 7030003400 | S.RESISTOR | ERJ3GEYJ 471 V (470 Ω) |
| R403 | 7030003400 | S.RESISTOR | ERJ3GEYJ 471 V (470 Ω) |
| R404 | 7030003400 | S.RESISTOR | ERJ3GEYJ 471 V (470 Ω) |
| R501 | 7030003640 | S.RESISTOR | ERJ3GEYJ 473 V (47 kΩ) |
| R502 | 7010007350 | RESISTOR | PSD1/4 4.7 Ω |
| R601 | 7030000250 | S.RESISTOR | MCR10EZJH 82 Ω (820) |
| R602 | 7030000250 | S.RESISTOR | MCR10EZJH 82 Ω (820) |
| R603 | 7030003440 | S.RESISTOR | ERJ3GEYJ 102 V (1 kΩ) |
| R604 | 7030003530 | S.RESISTOR | ERJ3GEYJ 562 V (5.6 kΩ) |
| R605 | 7030003440 | S.RESISTOR | ERJ3GEYJ 102 V (1 kΩ) |
| R606 | 7030003530 | S.RESISTOR | ERJ3GEYJ 562 V (5.6 kΩ) |
| R614 | 7030000230 | S.RESISTOR | MCR10EZJH 56 Ω (560) |
| R615 | 7030000230 | S.RESISTOR | MCR10EZJH 56 Ω (560) |
| R616 | 7030000230 | S.RESISTOR | MCR10EZJH 56 Ω (560) |
| R617 | 7030000220 | S.RESISTOR | MCR10EZJH 47 Ω (470) |
| R618 | 7030000340 | S.RESISTOR | MCR10EZJH 470 Ω (471) |
| R619 | 7030006260 | S.RESISTOR | ERJ12YJ471H (470 Ω) |
| R620 | 7030000260 | S.RESISTOR | MCR10EZJH 100 Ω (101) |
| R621 | 7030003680 | S.RESISTOR | ERJ3GEYJ 104 V (100 kΩ) |
| R622 | 7030000230 | S.RESISTOR | MCR10EZJH 56 Ω (560) |
| R701 | 7030003380 | S.RESISTOR | ERJ3GEYJ 331 V (330 Ω) |
| R702 | 7030003220 | S.RESISTOR | ERJ3GEYJ 150 V (15 Ω) |
| R703 | 7030003380 | S.RESISTOR | ERJ3GEYJ 331 V (330 Ω) |
| C1 | 4030011600 | S.CERAMIC | C1608 JB 1C 104KT-N |
| C2 | 4030006860 | S.CERAMIC | C1608 JB 1H 102K-T-A |
| C3 | 4030011600 | S.CERAMIC | C1608 JB 1C 104KT-N |
| C4 | 4030006860 | S.CERAMIC | C1608 JB 1H 102K-T-A |
| C5 | 4030011600 | S.CERAMIC | C1608 JB 1C 104KT-N |
| C6 | 4030011600 | S.CERAMIC | C1608 JB 1C 104KT-N |
| C7 | 4030006860 | S.CERAMIC | C1608 JB 1H 102K-T-A |
| C8 | 4030011600 | S.CERAMIC | C1608 JB 1C 104KT-N |
| C9 | 4030006860 | S.CERAMIC | C1608 JB 1H 102K-T-A |
| C10 | 4030006860 | S.CERAMIC | C1608 JB 1H 102K-T-A |
| C11 | 4030011600 | S.CERAMIC | C1608 JB 1C 104KT-N |
| C12 | 4030011600 | S.CERAMIC | C1608 JB 1C 104KT-N |
| C13 | 4030006860 | S.CERAMIC | C1608 JB 1H 102K-T-A |
| C14 | 4030008920 | S.CERAMIC | C1608 JB 1C 473K-T-A |
| C15 | 4030011600 | S.CERAMIC | C1608 JB 1C 104KT-N |
| C16 | 4030006860 | S.CERAMIC | C1608 JB 1H 102K-T-A |
| C17 | 4030010000 | S.CERAMIC | C1608 CH 1H 510J-T-A |
| C24 | 4030011600 | S.CERAMIC | C1608 JB 1C 104KT-N |
| C26 | 4030011510 | S.CERAMIC | GRM42-6 CH 560J 500PT |
| C28 | 4030011740 | S.CERAMIC | GRM42-2 CH 201J 500PT |
| C30 | 4030011600 | S.CERAMIC | C1608 JB 1C 104KT-N |
| C31 | 4030011780 | S.CERAMIC | GRM44-1 CH 622J 200PT |
| C32 | 4030011780 | S.CERAMIC | GRM44-1 CH 622J 200PT |
| C34 | 4030011740 | S.CERAMIC | GRM42-2 CH 201J 500PT |
| C36 | 4030011740 | S.CERAMIC | GRM42-2 CH 201J 500PT |
| C37 | 4320001070 | S.MICA | UC342H 3300J-T |
| C38 | 4320001070 | S.MICA | UC342H 3300J-T |
| C39 | 4510004600 | ELECTROLYTIC | 16 MV 1000 HC |
| C40 | 4510004600 | ELECTROLYTIC | 16 MV 1000 HC |
| C41 | 4030011600 | S.CERAMIC | C1608 JB 1C 104KT-N |
| C42 | 4030006880 | S.CERAMIC | C1608 JB 1H 472K-T-A |
| C43 | 4030006880 | S.CERAMIC | C1608 JB 1H 472K-T-A |
| C44 | 4030006880 | S.CERAMIC | C1608 JB 1H 472K-T-A |
| C45 | 4030005110 | S.CERAMIC | C2012 JB 1E 473K-T-A |

[PA UNIT]

| REF NO. | ORDER NO. | DESCRIPTION | |
|---------|------------|----------------|-----------------------|
| C46 | 4510004600 | ELECTROLYTIC | 16 MV 1000 HC |
| C47 | 4030011600 | S.CERAMIC | C1608 JB 1C 104KT-N |
| C48 | 4030011600 | S.CERAMIC | C1608 JB 1C 104KT-N |
| C49 | 4510004640 | S.ELECTROLYTIC | ECEV1CA470SP |
| C50 | 4040000690 | BARRIERLAY | UAT 08X 473K |
| C51 | 4040000690 | BARRIERLAY | UAT 08X 473K |
| C52 | 4030011600 | S.CERAMIC | C1608 JB 1C 104KT-N |
| C53 | 4010006880 | CERAMIC | HE50SJ YB 102K 50V |
| C54 | 4510004640 | S.ELECTROLYTIC | ECEV1CA470SP |
| C55 | 4510004590 | ELECTROLYTIC | 16 MV 470 HC |
| C56 | 4030006880 | S.CERAMIC | C1608 JB 1H 472K-T-A |
| C57 | 4510005000 | ELECTROLYTIC | 16 MV 220 HC |
| C58 | 4030006880 | S.CERAMIC | C1608 JB 1H 472K-T-A |
| C59 | 4030011600 | S.CERAMIC | C1608 JB 1C 104KT-N |
| C60 | 4030006880 | S.CERAMIC | C1608 JB 1H 472K-T-A |
| C62 | 4030006880 | S.CERAMIC | C1608 JB 1H 472K-T-A |
| C63 | 4030006880 | S.CERAMIC | C1608 JB 1H 472K-T-A |
| C64 | 4030006880 | S.CERAMIC | C1608 JB 1H 472K-T-A |
| C65 | 4510006220 | S.ELECTROLYTIC | ECEV1CA101UP |
| C66 | 4030011600 | S.CERAMIC | C1608 JB 1C 104KT-N |
| C67 | 4030011600 | S.CERAMIC | C1608 JB 1C 104KT-N |
| C68 | 4510006220 | S.ELECTROLYTIC | ECEV1CA101UP |
| C69 | 4510004630 | S.ELECTROLYTIC | ECEV1CA100SR |
| C70 | 4030011600 | S.CERAMIC | C1608 JB 1C 104KT-N |
| C71 | 4030011600 | S.CERAMIC | C1608 JB 1C 104KT-N |
| C72 | 4510004630 | S.ELECTROLYTIC | ECEV1CA100SR |
| C73 | 4030006880 | S.CERAMIC | C1608 JB 1H 472K-T-A |
| C74 | 4510004630 | S.ELECTROLYTIC | ECEV1CA100SR |
| C75 | 4030011600 | S.CERAMIC | C1608 JB 1C 104KT-N |
| C76 | 4030011600 | S.CERAMIC | C1608 JB 1C 104KT-N |
| C77 | 4510004630 | S.ELECTROLYTIC | ECEV1CA100SR |
| C78 | 4030011600 | S.CERAMIC | C1608 JB 1C 104KT-N |
| C79 | 4030011600 | S.CERAMIC | C1608 JB 1C 104KT-N |
| C80 | 4030006880 | S.CERAMIC | C1608 JB 1H 472K-T-A |
| C81 | 4030006880 | S.CERAMIC | C1608 JB 1H 472K-T-A |
| C82 | 4030006880 | S.CERAMIC | C1608 JB 1H 472K-T-A |
| C83 | 4030006880 | S.CERAMIC | C1608 JB 1H 472K-T-A |
| C84 | 4030006880 | S.CERAMIC | C1608 JB 1H 472K-T-A |
| C85 | 4030006880 | S.CERAMIC | C1608 JB 1H 472K-T-A |
| C86 | 4030006880 | S.CERAMIC | C1608 JB 1H 472K-T-A |
| C87 | 4030006880 | S.CERAMIC | C1608 JB 1H 472K-T-A |
| C88 | 4030006880 | S.CERAMIC | C1608 JB 1H 472K-T-A |
| C89 | 4030006880 | S.CERAMIC | C1608 JB 1H 472K-T-A |
| C90 | 4030006880 | S.CERAMIC | C1608 JB 1H 472K-T-A |
| C91 | 4030006880 | S.CERAMIC | C1608 JB 1H 472K-T-A |
| C92 | 4510004600 | ELECTROLYTIC | 16 MV 1000 HC |
| C96 | 4030006480 | S.CERAMIC | GRM42-6 B 104K 50PT |
| C97 | 4030006480 | S.CERAMIC | GRM42-6 B 104K 50PT |
| C98 | 4030010760 | S.CERAMIC | C1608 CH 1H 331J-T-A |
| C99 | 4030011210 | S.CERAMIC | GRM42-6 CH 330J 500PT |
| C100 | 4030011740 | S.CERAMIC | GRM42-2 CH 201J 500PT |
| C101 | 4030007080 | S.CERAMIC | C1608 CH 1H 390J-T-A |
| C102 | 4030007170 | S.CERAMIC | C1608 CH 1H 221J-T-A |
| C103 | 4030007170 | S.CERAMIC | C1608 CH 1H 221J-T-A |
| C105 | 4030011740 | S.CERAMIC | GRM42-2 CH 201J 500PT |
| C106 | 4030011740 | S.CERAMIC | GRM42-2 CH 201J 500PT |
| C107 | 4030011600 | S.CERAMIC | C1608 JB 1C 104KT-N |
| C108 | 4510003910 | ELECTROLYTIC | 16 MV 47 HW |
| C109 | 4030007010 | S.CERAMIC | C1608 CH 1H 100D-T-A |
| C201 | 4030011290 | S.CERAMIC | GRM42-6 CH 240J 500PT |
| C202 | 4610001950 | TRIMMER | CV01D700 |
| C203 | 4030011120 | S.CERAMIC | GRM42-6 CH 100D 500PT |
| C208 | 4030001310 | S.MICA | UC342H 2000J-T |
| C210 | 4030011120 | S.CERAMIC | GRM42-6 CH 100D 500PT |
| C211 | 4030001270 | S.MICA | UC232H 0470F-T |
| C212 | 4030011120 | S.CERAMIC | GRM42-6 CH 100D 500PT |
| C213 | 4030008920 | S.CERAMIC | C1608 JB 1C 473K-T-A |
| C214 | 4030007170 | S.CERAMIC | C1608 CH 1H 221J-T-A |
| C215 | 4030007170 | S.CERAMIC | C1608 CH 1H 221J-T-A |
| C216 | 4030007170 | S.CERAMIC | C1608 CH 1H 221J-T-A |
| C217 | 4510004640 | S.ELECTROLYTIC | ECEV1CA470SP |
| C218 | 4010006880 | CERAMIC | HE50SJ YB 102K 50V |
| C219 | 4010006880 | CERAMIC | HE50SJ YB 102K 50V |
| C220 | 4030008920 | S.CERAMIC | C1608 JB 1C 473K-T-A |
| C221 | 4030007170 | S.CERAMIC | C1608 CH 1H 221J-T-A |
| C222 | 4510004640 | S.ELECTROLYTIC | ECEV1CA470SP |
| C223 | 4030011550 | S.CERAMIC | GRM42-6 CH 680J 500PT |
| C224 | 4030011550 | S.CERAMIC | GRM42-6 CH 680J 500PT |
| C225 | 4030011550 | S.CERAMIC | GRM42-6 CH 680J 500PT |
| C226 | 4030011550 | S.CERAMIC | GRM42-6 CH 680J 500PT |
| C227 | 4030011170 | S.CERAMIC | GRM42-6 CH 180J 500PT |
| C228 | 4030011550 | S.CERAMIC | GRM42-6 CH 680J 500PT |

S.=Surface mount

[PA UNIT]

| REF NO. | ORDER NO. | DESCRIPTION |
|---------|------------|---------------------------------|
| C229 | 4030011550 | S.CERAMIC GRM42-6 CH 680J 500PT |
| C230 | 4030011550 | S.CERAMIC GRM42-6 CH 680J 500PT |
| C231 | 4030011550 | S.CERAMIC GRM42-6 CH 680J 500PT |
| C232 | 4030011170 | S.CERAMIC GRM42-6 CH 180J 500PT |
| C233 | 4030011180 | S.CERAMIC GRM42-6 CH 220J 500PT |
| C234 | 4030011290 | S.CERAMIC GRM42-6 CH 240J 500PT |
| C235 | 4030011180 | S.CERAMIC GRM42-6 CH 220J 500PT |
| C236 | 4030006860 | S.CERAMIC C1608 JB 1H 102K-T-A |
| C237 | 4030011120 | S.CERAMIC GRM42-6 CH 100D 500PT |
| C238 | 4030011040 | S.CERAMIC GRM42-6 CK 020C 500PT |
| C239 | 4030011040 | S.CERAMIC GRM42-6 CK 020C 500PT |
| C240 | 4030011020 | S.CERAMIC GRM42-6 CK 010C 500PT |
| C241 | 4030009590 | S.CERAMIC C2012 JF 1C 225Z-T-A |
| C242 | 4030011120 | S.CERAMIC GRM42-6 CH 100D 500PT |
| C401 | 4030007090 | S.CERAMIC C1608 CH 1H 470J-T-A |
| C402 | 4030007090 | S.CERAMIC C1608 CH 1H 470J-T-A |
| C403 | 4030007090 | S.CERAMIC C1608 CH 1H 470J-T-A |
| C404 | 4030007090 | S.CERAMIC C1608 CH 1H 470J-T-A |
| C502 | 4010008260 | CERAMIC HM74TJ SL 151J 500V |
| C503 | 4010005370 | CERAMIC HM11SJ SL 331J 500V |
| C505 | 4010008250 | CERAMIC HM74TJ SL 121J 500V |
| C507 | 4010005930 | CERAMIC HM11SJ SL 391J 500V |
| C508 | 4010008290 | CERAMIC HM95TJ SL 271J 500V |
| C510 | 4010005810 | CERAMIC HM74SJ SL 111J 500V |
| C512 | 4010008160 | CERAMIC HM13SJ SL 431J 500V |
| C513 | 4010008330 | CERAMIC HM60TJ SL 330J 500V |
| C514 | 4010005370 | CERAMIC HM11SJ SL 331J 500V |
| C515 | 4010005930 | CERAMIC HM11SJ SL 391J 500V |
| C516 | 4010008240 | CERAMIC HM60TJ SL 101J 500V |
| C517 | 4010008290 | CERAMIC HM95TJ SL 271J 500V |
| C518 | 4010008240 | CERAMIC HM60TJ SL 101J 500V |
| C520 | 4010005370 | CERAMIC HM11SJ SL 331J 500V |
| C521 | 4010008290 | CERAMIC HM95TJ SL 271J 500V |
| C522 | 4010008350 | CERAMIC HM60TJ SL 220J 500V |
| C523 | 4010005370 | CERAMIC HM11SJ SL 331J 500V |
| C524 | 4010005370 | CERAMIC HM11SJ SL 331J 500V |
| C525 | 4010005370 | CERAMIC HM11SJ SL 331J 500V |
| C528 | 4010008250 | CERAMIC HM74TJ SL 121J 500V |
| C530 | 4010005810 | CERAMIC HM74SJ SL 111J 500V |
| C531 | 4010008260 | CERAMIC HM74TJ SL 151J 500V |
| C532 | 4010008230 | CERAMIC HM60TJ SL 820J 500V |
| C533 | 4010008360 | CERAMIC HM60TJ SL 180J 500V |
| C534 | 4010008280 | CERAMIC HM95TJ SL 221J 500V |
| C535 | 4010008320 | CERAMIC HM60TJ SL 390J 500V |
| C536 | 4010008230 | CERAMIC HM60TJ SL 820J 500V |
| C537 | 4010008260 | CERAMIC HM74TJ SL 151J 500V |
| C538 | 4010005580 | CERAMIC HM60SJ SL 070D 500V |
| C539 | 4010008260 | CERAMIC HM74TJ SL 151J 500V |
| C540 | 4010008350 | CERAMIC HM60TJ SL 220J 500V |
| C541 | 4010008210 | CERAMIC HM60TJ SL 560J 500V |
| C542 | 4030006880 | S.CERAMIC C1608 JB 1H 472K-T-A |
| C543 | 4030006880 | S.CERAMIC C1608 JB 1H 472K-T-A |
| C544 | 4030006880 | S.CERAMIC C1608 JB 1H 472K-T-A |
| C545 | 4030006880 | S.CERAMIC C1608 JB 1H 472K-T-A |
| C546 | 4030006880 | S.CERAMIC C1608 JB 1H 472K-T-A |
| C547 | 4030006880 | S.CERAMIC C1608 JB 1H 472K-T-A |
| C548 | 4030006880 | S.CERAMIC C1608 JB 1H 472K-T-A |
| C549 | 4030006880 | S.CERAMIC C1608 JB 1H 472K-T-A |
| C550 | 4030006880 | S.CERAMIC C1608 JB 1H 472K-T-A |
| C551 | 4030006880 | S.CERAMIC C1608 JB 1H 472K-T-A |
| C552 | 4030006880 | S.CERAMIC C1608 JB 1H 472K-T-A |
| C553 | 4030006880 | S.CERAMIC C1608 JB 1H 472K-T-A |
| C554 | 4010007590 | CERAMIC HM15SJ SL 681J 500V |
| C555 | 4010008390 | CERAMIC HM60TJ SL 100D 500V |
| C557 | 4010008250 | CERAMIC HM74TJ SL 121J 500V |
| C558 | 4010008250 | CERAMIC HM74TJ SL 121J 500V |
| C559 | 4010008420 | CERAMIC HM60TJ SL 020C 500V |
| C560 | 4010008310 | CERAMIC HM60TJ SL 470J 500V |
| C561 | 4010008340 | CERAMIC HM60TJ SL 270J 500V |
| C562 | 4010008360 | CERAMIC HM60TJ SL 180J 500V |
| C563 | 4010008210 | CERAMIC HM60TJ SL 560J 500V |
| C565 | 4010008230 | CERAMIC HM60TJ SL 820J 500V |
| C566 | 4010005370 | CERAMIC HM11SJ SL 331J 500V |
| C567 | 4010008290 | CERAMIC HM95TJ SL 271J 500V |
| C568 | 4010008290 | CERAMIC HM95TJ SL 271J 500V |
| C569 | 4010008250 | CERAMIC HM74TJ SL 121J 500V |
| C572 | 4010005370 | CERAMIC HM11SJ SL 331J 500V |
| C573 | 4010005930 | CERAMIC HM11SJ SL 391J 500V |
| C574 | 4010007590 | CERAMIC HM15SJ SL 681J 500V |
| C575 | 4010007590 | CERAMIC HM15SJ SL 681J 500V |
| C577 | 4010008350 | CERAMIC HM60TJ SL 220J 500V |
| C578 | 4010008220 | CERAMIC HM60TJ SL 680J 500V |

[PA UNIT]

| REF NO. | ORDER NO. | DESCRIPTION |
|---------|------------|--------------------------------|
| C581 | 4010008230 | CERAMIC HM60TJ SL 820J 500V |
| C582 | 4010008350 | CERAMIC HM60TJ SL 220J 500V |
| C583 | 4010008390 | CERAMIC HM60TJ SL 100D 500V |
| C585 | 4010005650 | CERAMIC HM60SJ SL 200J 500V |
| C586 | 4010008330 | CERAMIC HM60TJ SL 330J 500V |
| C587 | 4030006880 | S.CERAMIC C1608 JB 1H 472K-T-A |
| C588 | 4030006880 | S.CERAMIC C1608 JB 1H 472K-T-A |
| C589 | 4010008320 | CERAMIC HM60TJ SL 390J 500V |
| C590 | 4010008340 | CERAMIC HM60TJ SL 270J 500V |
| C597 | 4010007490 | CERAMIC HM15SJ SL 561J 500V |
| C598 | 4010007590 | CERAMIC HM15SJ SL 681J 500V |
| C599 | 4010007490 | CERAMIC HM15SJ SL 561J 500V |
| C601 | 4030006860 | S.CERAMIC C1608 JB 1H 102K-T-A |
| C602 | 4010005640 | CERAMIC HM60SJ SL 180J 500V |
| C603 | 4010008360 | CERAMIC HM60TJ SL 180J 500V |
| C604 | 4010005510 | CERAMIC HM60SJ SL 0R5C 500V |
| C605 | 4010005700 | CERAMIC HM60SJ SL 330J 500V |
| C606 | 4010005540 | CERAMIC HM60SJ SL 030C 500V |
| C607 | 4010005680 | CERAMIC HM60SJ SL 270J 500V |
| C608 | 4010005610 | CERAMIC HM60SJ SL 100D 500V |
| C609 | 4010005640 | CERAMIC HM60SJ SL 180J 500V |
| C610 | 4010005790 | CERAMIC HM60SJ YB 102K 500V |
| C611 | 4030007170 | S.CERAMIC C1608 CH 1H 221J-T-A |
| C612 | 4030007170 | S.CERAMIC C1608 CH 1H 221J-T-A |
| C613 | 4030007170 | S.CERAMIC C1608 CH 1H 221J-T-A |
| C614 | 4030007170 | S.CERAMIC C1608 CH 1H 221J-T-A |
| C616 | 4030006860 | S.CERAMIC C1608 JB 1H 102K-T-A |
| C618 | 4030011600 | S.CERAMIC C1608 JB 1C 104KT-N |
| C620 | 4030011600 | S.CERAMIC C1608 JB 1C 104KT-N |
| C621 | 4030006860 | S.CERAMIC C1608 JB 1H 102K-T-A |
| C622 | 4030006860 | S.CERAMIC C1608 JB 1H 102K-T-A |
| C623 | 4030006860 | S.CERAMIC C1608 JB 1H 102K-T-A |
| C624 | 4030006880 | S.CERAMIC C1608 JB 1H 472K-T-A |
| C625 | 4030006880 | S.CERAMIC C1608 JB 1H 472K-T-A |
| C626 | 4030006880 | S.CERAMIC C1608 JB 1H 472K-T-A |
| C627 | 4030006880 | S.CERAMIC C1608 JB 1H 472K-T-A |
| C1061 | 4510004630 | S.ELECTROLYTIC ECEV1CA100SR |
| RL1 | 6330001510 | RELAY TB1-160 |
| RL2 | 6330001430 | RELAY NA-12W-K |
| RL501 | 6330001510 | RELAY TB1-160 |
| RL502 | 6330001510 | RELAY TB1-160 |
| RL503 | 6330001510 | RELAY TB1-160 |
| RL504 | 6330001510 | RELAY TB1-160 |
| RL505 | 6330001510 | RELAY TB1-160 |
| RL506 | 6330001510 | RELAY TB1-160 |
| RL507 | 6330001510 | RELAY TB1-160 |
| RL508 | 6330001510 | RELAY TB1-160 |
| RL509 | 6330001510 | RELAY TB1-160 |
| RL510 | 6330001510 | RELAY TB1-160 |
| RL511 | 6330001510 | RELAY TB1-160 |
| RL512 | 6330001510 | RELAY TB1-160 |
| RL513 | 6330001330 | RELAY AG 201344 |
| RL514 | 6330001330 | RELAY AG 201344 |
| RL601 | 6330001530 | RELAY NR-HD(5V) AE5349 |
| F1 | 5210000060 | FUSE FGB 5A |
| F2 | 5220000230 | HOLDER S-N5054 |
| F3 | 5220000230 | HOLDER S-N5054 |
| J5 | 6510020000 | S.CONNECTOR 52808-3090 |
| J6 | 6510018960 | S.CONNECTOR B2B-PH-SM3-TB |
| J10 | 6510003080 | CONNECTOR RT01T-1.0B |
| W1 | 7030003860 | S.JUMPER ERJ3GE JPW V |
| W3 | 7030003860 | S.JUMPER ERJ3GE JPW V |
| W4 | 7030003860 | S.JUMPER ERJ3GE JPW V |
| W5 | 7030003860 | S.JUMPER ERJ3GE JPW V |
| W504 | 7030003860 | S.JUMPER ERJ3GE JPW V |
| W506 | 7030003860 | S.JUMPER ERJ3GE JPW V |
| W507 | 7030003860 | S.JUMPER ERJ3GE JPW V |
| W601 | 7120000010 | JUMPER JPW 02A |
| W602 | 7120000010 | JUMPER JPW 02A |
| EP1 | 0910049447 | PCB B 5084G |
| EP2 | 6910000610 | BEAD FSOH050RN01 |
| EP3 | 6910000610 | BEAD FSOH050RN01 |

S.=Surface mount

[PA UNIT]

| REF NO. | ORDER NO. | DESCRIPTION | |
|---------|------------|-------------|-----------------------|
| EP6 | 6910011330 | TERMINAL | OT-009 M3 |
| EP7 | 6910011330 | TERMINAL | OT-009 M3 |
| EP8 | 9097500010 | TUBE | IRRAX 1.5 (d) L=8 mm |
| EP9 | 9097500010 | TUBE | IRRAX 1.5 (d) L=8 mm |
| EP10 | 9011530420 | TUBE | IRRAX 1.5 (d) L=15 mm |
| EP11 | 9049594901 | TUBE | IRRAX 0.8 (d) L=12 mm |
| EP12 | 9049594901 | TUBE | IRRAX 0.8 (d) L=12 mm |
| EP13 | 9029406901 | TUBE | IRRAX 0.8 (d) L=10 mm |
| EP14 | 9029401901 | TUBE | IRRAX 0.8 (d) L=7 mm |
| EP15 | 9029406901 | TUBE | IRRAX 0.8 (d) L=10 mm |
| EP16 | 9029406901 | TUBE | IRRAX 0.8 (d) L=10 mm |
| EP17 | 6910000600 | BEAD | FSOH050RN |
| EP201 | 6910000600 | BEAD | FSOH050RN |
| EP202 | 6910000600 | BEAD | FSOH050RN |

[TUNER UNIT]

| REF NO. | ORDER NO. | DESCRIPTION | |
|---------|------------|-------------|------------------------|
| C16 | 4030006880 | S.CERAMIC | C1608 JB 1H 472K-T-A |
| C17 | 4030006880 | S.CERAMIC | C1608 JB 1H 472K-T-A |
| C18 | 4030006880 | S.CERAMIC | C1608 JB 1H 472K-T-A |
| C19 | 4030006880 | S.CERAMIC | C1608 JB 1H 472K-T-A |
| C20 | 4030006880 | S.CERAMIC | C1608 JB 1H 472K-T-A |
| C21 | 4030006880 | S.CERAMIC | C1608 JB 1H 472K-T-A |
| C22 | 4030006880 | S.CERAMIC | C1608 JB 1H 472K-T-A |
| C23 | 4030006880 | S.CERAMIC | C1608 JB 1H 472K-T-A |
| C24 | 4030006880 | S.CERAMIC | C1608 JB 1H 472K-T-A |
| C25 | 4030006880 | S.CERAMIC | C1608 JB 1H 472K-T-A |
| C26 | 4030006880 | S.CERAMIC | C1608 JB 1H 472K-T-A |
| C27 | 4030006880 | S.CERAMIC | C1608 JB 1H 472K-T-A |
| C28 | 4030006880 | S.CERAMIC | C1608 JB 1H 472K-T-A |
| C29 | 4030006880 | S.CERAMIC | C1608 JB 1H 472K-T-A |
| C30 | 4030006880 | S.CERAMIC | C1608 JB 1H 472K-T-A |
| C31 | 4030006880 | S.CERAMIC | C1608 JB 1H 472K-T-A |
| C32 | 4030006880 | S.CERAMIC | C1608 JB 1H 472K-T-A |
| C33 | 4030006880 | S.CERAMIC | C1608 JB 1H 472K-T-A |
| C34 | 4010005070 | CERAMIC | DE0707 SL 390J 3KV |
| C35 | 4010005070 | CERAMIC | DE0707 SL 390J 3KV |
| C36 | 4010004260 | CERAMIC | DE0907 SL 820J 3KV |
| C37 | 4010004250 | CERAMIC | DE1007 SL 101J 3KV |
| C38 | 4010004280 | CERAMIC | DE1207 SL 151J 3KV |
| C39 | 4010004280 | CERAMIC | DE1207 SL 151J 3KV |
| C40 | 4010004250 | CERAMIC | DE1007 SL 101J 3KV |
| C41 | 4010004250 | CERAMIC | DE1007 SL 101J 3KV |
| C42 | 4010004250 | CERAMIC | DE1007 SL 101J 3KV |
| C43 | 4010004250 | CERAMIC | DE1007 SL 101J 3KV |
| C44 | 4620000110 | VARIABLE | UV35 150P |
| C45 | 4620000110 | VARIABLE | UV35 150P |
| C46 | 4030006880 | S.CERAMIC | C1608 JB 1H 472K-T-A |
| C47 | 4030006880 | S.CERAMIC | C1608 JB 1H 472K-T-A |
| C48 | 4030006880 | S.CERAMIC | C1608 JB 1H 472K-T-A |
| C49 | 4030006880 | S.CERAMIC | C1608 JB 1H 472K-T-A |
| C50 | 4030006880 | S.CERAMIC | C1608 JB 1H 472K-T-A |
| C51 | 4030006880 | S.CERAMIC | C1608 JB 1H 472K-T-A |
| C52 | 4030006880 | S.CERAMIC | C1608 JB 1H 472K-T-A |
| C53 | 4030006880 | S.CERAMIC | C1608 JB 1H 472K-T-A |
| C55 | 4030006880 | S.CERAMIC | C1608 JB 1H 472K-T-A |
| C56 | 4030006880 | S.CERAMIC | C1608 JB 1H 472K-T-A |
| C57 | 4030006880 | S.CERAMIC | C1608 JB 1H 472K-T-A |
| C58 | 4030006880 | S.CERAMIC | C1608 JB 1H 472K-T-A |
| C59 | 4030006880 | S.CERAMIC | C1608 JB 1H 472K-T-A |
| C60 | 4030006880 | S.CERAMIC | C1608 JB 1H 472K-T-A |
| C61 | 4030006880 | S.CERAMIC | C1608 JB 1H 472K-T-A |
| C62 | 4030005040 | S.CERAMIC | C2012 CH 1H 271J-T-A |
| RL1 | 6330001110 | RELAY | NY-12W-K |
| RL2 | 6330001110 | RELAY | NY-12W-K |
| RL3 | 6330001110 | RELAY | NY-12W-K |
| RL4 | 6330001520 | RELAY | VE-12HM-K |
| RL5 | 6330001520 | RELAY | VE-12HM-K |
| RL6 | 6330001520 | RELAY | VE-12HM-K |
| RL7 | 6330001520 | RELAY | VE-12HM-K |
| RL8 | 6330001520 | RELAY | VE-12HM-K |
| RL9 | 6330001520 | RELAY | VE-12HM-K |
| RL10 | 6330001110 | RELAY | NY-12W-K |
| RL11 | 6330001110 | RELAY | NY-12W-K |
| RL12 | 6330001110 | RELAY | NY-12W-K |
| RL13 | 6330001110 | RELAY | NY-12W-K |
| RL14 | 6330001110 | RELAY | NY-12W-K |
| RL15 | 6330001110 | RELAY | NY-12W-K |
| MF1 | 2710000460 | MOTOR | MP28GA |
| MF2 | 2710000460 | MOTOR | MP28GA |
| J1 | 6510003100 | CONNECTOR | RT01T-1.3B |
| J2 | 6510003100 | CONNECTOR | RT01T-1.3B |
| J5 | 6510019990 | S.CONNECTOR | 52808-2290 |
| WS1 | 8970022710 | CABLE | COAXIAL 1.5 (d) (2)/TU |
| EP1 | 0910049455 | PCB | B 5085E |
| C1 | 4030006880 | S.CERAMIC | C1608 JB 1H 472K-T-A |
| C2 | 4030006880 | S.CERAMIC | C1608 JB 1H 472K-T-A |
| C3 | 4030006880 | S.CERAMIC | C1608 JB 1H 472K-T-A |
| C4 | 4030006880 | S.CERAMIC | C1608 JB 1H 472K-T-A |
| C5 | 4030006880 | S.CERAMIC | C1608 JB 1H 472K-T-A |
| C6 | 4030006880 | S.CERAMIC | C1608 JB 1H 472K-T-A |
| C7 | 4030006880 | S.CERAMIC | C1608 JB 1H 472K-T-A |
| C8 | 4030006880 | S.CERAMIC | C1608 JB 1H 472K-T-A |
| C11 | 4030006880 | S.CERAMIC | C1608 JB 1H 472K-T-A |
| C12 | 4030006880 | S.CERAMIC | C1608 JB 1H 472K-T-A |
| C13 | 4030006880 | S.CERAMIC | C1608 JB 1H 472K-T-A |
| C14 | 4030006880 | S.CERAMIC | C1608 JB 1H 472K-T-A |
| C15 | 4030006880 | S.CERAMIC | C1608 JB 1H 472K-T-A |

[TUNER UNIT]

| REF NO. | ORDER NO. | DESCRIPTION | |
|---------|------------|--------------|------------------|
| Q1 | 1590000680 | S.TRANSISTOR | DTC114EUA T106 |
| Q2 | 1590000680 | S.TRANSISTOR | DTC114EUA T106 |
| Q3 | 1590000680 | S.TRANSISTOR | DTC114EUA T106 |
| Q4 | 1590000680 | S.TRANSISTOR | DTC114EUA T106 |
| Q5 | 1590000680 | S.TRANSISTOR | DTC114EUA T106 |
| Q6 | 1590000680 | S.TRANSISTOR | DTC114EUA T106 |
| Q7 | 1590000680 | S.TRANSISTOR | DTC114EUA T106 |
| Q8 | 1590000680 | S.TRANSISTOR | DTC114EUA T106 |
| Q9 | 1590000680 | S.TRANSISTOR | DTC114EUA T106 |
| Q10 | 1590000680 | S.TRANSISTOR | DTC114EUA T106 |
| Q11 | 1590000680 | S.TRANSISTOR | DTC114EUA T106 |
| Q12 | 1590000680 | S.TRANSISTOR | DTC114EUA T106 |
| Q13 | 1590000680 | S.TRANSISTOR | DTC114EUA T106 |
| Q14 | 1590000680 | S.TRANSISTOR | DTC114EUA T106 |
| Q15 | 1590000680 | S.TRANSISTOR | DTC114EUA T106 |
| D1 | 1750000370 | S.DIODE | DA221 TL |
| D2 | 1750000370 | S.DIODE | DA221 TL |
| D3 | 1750000370 | S.DIODE | DA221 TL |
| D4 | 1750000370 | S.DIODE | DA221 TL |
| D5 | 1750000370 | S.DIODE | DA221 TL |
| D6 | 1750000370 | S.DIODE | DA221 TL |
| D7 | 1750000370 | S.DIODE | DA221 TL |
| D8 | 1750000370 | S.DIODE | DA221 TL |
| D9 | 1750000370 | S.DIODE | DA221 TL |
| D10 | 1750000370 | S.DIODE | DA221 TL |
| D11 | 1750000370 | S.DIODE | DA221 TL |
| D12 | 1750000370 | S.DIODE | DA221 TL |
| D13 | 1750000370 | S.DIODE | DA221 TL |
| D14 | 1750000370 | S.DIODE | DA221 TL |
| D15 | 1750000370 | S.DIODE | DA221 TL |
| L1 | 6200003950 | S.COIL | HF50ACC 322513-T |
| L3 | 6110003010 | COIL | LA-488 |
| L4 | 6110003030 | COIL | LA-490 |
| L5 | 6110003020 | COIL | LA-489 |
| L6 | 6110003030 | COIL | LA-490 |
| L7 | 6110003020 | COIL | LA-489 |
| L8 | 6110003030 | COIL | LA-490 |
| L9 | 6110003480 | COIL | LA-536 |
| L11 | 6110003480 | COIL | LA-536 |
| L12 | 6110003480 | COIL | LA-536 |

S.=Surface mount

[CTRL UNIT]

| REF NO. | ORDER NO. | DESCRIPTION | |
|---------|------------|--------------|-------------------------|
| CP7 | 6910009670 | S.CHECK P | HK3-S-T |
| IC1 | 1110000960 | S.IC | NJM4558M-T1 |
| IC2 | 1120002250 | S.IC | TC74ACT32F |
| IC3 | 1120002240 | S.IC | TC74AC112F |
| IC4 | 1110000960 | S.IC | NJM4558M-T1 |
| IC5 | 1140004120 | S.IC | M38022M2-138FP |
| IC6 | 1140003610 | S.IC | X24C04S8-2.7T6 |
| IC7 | 1110004510 | S.IC | TD62597AFN(EL) |
| IC9 | 1110002690 | S.IC | NJM2903M-T1 |
| IC10 | 1130003920 | S.IC | TC4S69F (TE85R) |
| IC13 | 1180001070 | S.IC | TA7805F(TE16L) |
| IC14 | 1120002300 | S.IC | TC74AC04F |
| Q5 | 1560000870 | S.FET | 2SK515-T1B (X33) |
| Q12 | 1590000680 | S.TRANSISTOR | DTC114EUA T106 |
| Q14 | 1590000680 | S.TRANSISTOR | DTC114EUA T106 |
| Q16 | 1590000680 | S.TRANSISTOR | DTC114EUA T106 |
| Q21 | 1590000680 | S.TRANSISTOR | DTC114EUA T106 |
| Q23 | 1590000680 | S.TRANSISTOR | DTC114EUA T106 |
| Q24 | 1590001330 | S.TRANSISTOR | DTA114EUA T106 |
| Q25 | 1530003090 | S.TRANSISTOR | 2SC4213-B (TE85R) |
| D1 | 1790000490 | S.DIODE | HSM88AS-TR |
| D2 | 1790000490 | S.DIODE | HSM88AS-TR |
| D3 | 1750000200 | S.DIODE | 1SS319 (TE85R) |
| D4 | 1750000120 | S.DIODE | DWA010-TE |
| D5 | 1790000690 | S.DIODE | HSM88ASR-TR |
| D6 | 1790000490 | S.DIODE | HSM88AS-TR |
| D7 | 1790000490 | S.DIODE | HSM88AS-TR |
| D8 | 1790000490 | S.DIODE | HSM88AS-TR |
| D9 | 1790000490 | S.DIODE | HSM88AS-TR |
| D10 | 1750000120 | S.DIODE | DWA010-TE |
| D11 | 1730000410 | S.ZENER | RD5.1M-T2B2 |
| D12 | 1730000030 | S.ZENER | RD5.6M-T2B2 |
| D13 | 1710000780 | S.DIODE | MA114(TX) |
| D15 | 1790000490 | S.DIODE | HSM88AS-TR |
| D16 | 1750000370 | S.DIODE | DA221 TL |
| D17 | 1750000370 | S.DIODE | DA221 TL |
| D18 | 1750000370 | S.DIODE | DA221 TL |
| D20 | 1750000370 | S.DIODE | DA221 TL |
| D22 | 1790000620 | S.DIODE | MA77(TX) |
| D23 | 1790000490 | S.DIODE | HSM88AS-TR |
| X1 | 6050009890 | S.CRYSTAL | CR-569 (6.144 MHz) |
| L1 | 6140003270 | COIL | LR-364 |
| L2 | 6200001830 | S.COIL | NL 322522T-100J |
| L3 | 6200003260 | S.COIL | NL 322522T-101J |
| L4 | 6140003270 | COIL | LR-364 |
| L5 | 6180001220 | COIL | LAL 04NA 100K |
| L8 | 6140003270 | COIL | LR-364 |
| L9 | 6180000450 | COIL | RFC L6 222K |
| L10 | 6200003260 | S.COIL | NL 322522T-101J |
| L11 | 6200003260 | S.COIL | NL 322522T-101J |
| L13 | 6180000990 | COIL | LAL 04NA 101K |
| L22 | 6140003270 | COIL | LR-364 |
| L25 | 6200003260 | S.COIL | NL 322522T-101J |
| L27 | 6110001640 | COIL | LA-247 |
| L28 | 6110001570 | COIL | LA-237 |
| L29 | 6200003950 | S.COIL | HF50ACC 322513-T |
| L31 | 6200003950 | S.COIL | HF50ACC 322513-T |
| L32 | 6200003950 | S.COIL | HF50ACC 322513-T |
| R1 | 7030001040 | S.RESISTOR | MCR50JZHJ 18 Ω (180) |
| R2 | 7030001040 | S.RESISTOR | MCR50JZHJ 18 Ω (180) |
| R3 | 7030003560 | S.RESISTOR | ERJ3GEYJ 103 V (10 kΩ) |
| R4 | 7030003560 | S.RESISTOR | ERJ3GEYJ 103 V (10 kΩ) |
| R5 | 7030003720 | S.RESISTOR | ERJ3GEYJ 224 V (220 kΩ) |
| R6 | 7030003720 | S.RESISTOR | ERJ3GEYJ 224 V (220 kΩ) |
| R7 | 7030003720 | S.RESISTOR | ERJ3GEYJ 224 V (220 kΩ) |
| R8 | 7030003720 | S.RESISTOR | ERJ3GEYJ 224 V (220 kΩ) |
| R9 | 7030003800 | S.RESISTOR | ERJ3GEYJ 105 V (1 MΩ) |
| R10 | 7030003790 | S.RESISTOR | ERJ3GEYJ 824 V (820 kΩ) |
| R13 | 7030003440 | S.RESISTOR | ERJ3GEYJ 102 V (1 kΩ) |
| R14 | 7030003440 | S.RESISTOR | ERJ3GEYJ 102 V (1 kΩ) |

[CTRL UNIT]

| REF NO. | ORDER NO. | DESCRIPTION | |
|---------|------------|-------------|-------------------------|
| R15 | 7030003320 | S.RESISTOR | ERJ3GEYJ 101 V (100 Ω) |
| R16 | 7030006540 | S.RESISTOR | ERJ1WYJ330H (33 Ω) |
| R17 | 7030003320 | S.RESISTOR | ERJ3GEYJ 101 V (100 Ω) |
| R26 | 7030003280 | S.RESISTOR | ERJ3GEYJ 470 V (47 Ω) |
| R27 | 7030003280 | S.RESISTOR | ERJ3GEYJ 470 V (47 Ω) |
| R28 | 7030003500 | S.RESISTOR | ERJ3GEYJ 332 V (3.3 kΩ) |
| R29 | 7030003480 | S.RESISTOR | ERJ3GEYJ 222 V (2.2 kΩ) |
| R30 | 7030003360 | S.RESISTOR | ERJ3GEYJ 221 V (220 Ω) |
| R31 | 7030003480 | S.RESISTOR | ERJ3GEYJ 222 V (2.2 kΩ) |
| R32 | 7030003680 | S.RESISTOR | ERJ3GEYJ 104 V (100 kΩ) |
| R33 | 7030003530 | S.RESISTOR | ERJ3GEYJ 562 V (5.6 kΩ) |
| R34 | 7030003530 | S.RESISTOR | ERJ3GEYJ 562 V (5.6 kΩ) |
| R35 | 7030003670 | S.RESISTOR | ERJ3GEYJ 823 V (82 kΩ) |
| R36 | 7030003820 | S.RESISTOR | ERJ3GEYJ 155 V (1.5 MΩ) |
| R37 | 7030003560 | S.RESISTOR | ERJ3GEYJ 103 V (10 kΩ) |
| R38 | 7030003560 | S.RESISTOR | ERJ3GEYJ 103 V (10 kΩ) |
| R39 | 7030003680 | S.RESISTOR | ERJ3GEYJ 104 V (100 kΩ) |
| R40 | 7030003680 | S.RESISTOR | ERJ3GEYJ 104 V (100 kΩ) |
| R41 | 7030008040 | S.RESISTOR | ERJ1WYJ820H (82 Ω) |
| R42 | 7030003560 | S.RESISTOR | ERJ3GEYJ 103 V (10 kΩ) |
| R43 | 7030003560 | S.RESISTOR | ERJ3GEYJ 103 V (10 kΩ) |
| R44 | 7030003800 | S.RESISTOR | ERJ3GEYJ 105 V (1 MΩ) |
| R45 | 7030003560 | S.RESISTOR | ERJ3GEYJ 103 V (10 kΩ) |
| R46 | 7030003520 | S.RESISTOR | ERJ3GEYJ 472 V (4.7 kΩ) |
| R47 | 7030003440 | S.RESISTOR | ERJ3GEYJ 102 V (1 kΩ) |
| R48 | 7030003560 | S.RESISTOR | ERJ3GEYJ 103 V (10 kΩ) |
| R49 | 7030003680 | S.RESISTOR | ERJ3GEYJ 104 V (100 kΩ) |
| R50 | 7030003540 | S.RESISTOR | ERJ3GEYJ 682 V (6.8 kΩ) |
| R51 | 7030003530 | S.RESISTOR | ERJ3GEYJ 562 V (5.6 kΩ) |
| R52 | 7030003680 | S.RESISTOR | ERJ3GEYJ 104 V (100 kΩ) |
| R53 | 7030003820 | S.RESISTOR | ERJ3GEYJ 155 V (1.5 MΩ) |
| R54 | 7030003560 | S.RESISTOR | ERJ3GEYJ 103 V (10 kΩ) |
| R55 | 7030003560 | S.RESISTOR | ERJ3GEYJ 103 V (10 kΩ) |
| R56 | 7030003680 | S.RESISTOR | ERJ3GEYJ 104 V (100 kΩ) |
| R57 | 7030003680 | S.RESISTOR | ERJ3GEYJ 104 V (100 kΩ) |
| R58 | 7540000130 | ABSORBER | 2P-50A-301 |
| R59 | 7030003560 | S.RESISTOR | ERJ3GEYJ 103 V (10 kΩ) |
| R60 | 7030003560 | S.RESISTOR | ERJ3GEYJ 103 V (10 kΩ) |
| R61 | 7030003680 | S.RESISTOR | ERJ3GEYJ 104 V (100 kΩ) |
| R62 | 7030003680 | S.RESISTOR | ERJ3GEYJ 104 V (100 kΩ) |
| R63 | 7030003680 | S.RESISTOR | ERJ3GEYJ 104 V (100 kΩ) |
| R64 | 7030003680 | S.RESISTOR | ERJ3GEYJ 104 V (100 kΩ) |
| R65 | 7030003440 | S.RESISTOR | ERJ3GEYJ 102 V (1 kΩ) |
| R66 | 7030003650 | S.RESISTOR | ERJ3GEYJ 563 V (56 kΩ) |
| R67 | 7030003440 | S.RESISTOR | ERJ3GEYJ 102 V (1 kΩ) |
| R69 | 7030003320 | S.RESISTOR | ERJ3GEYJ 101 V (100 Ω) |
| R71 | 7030003440 | S.RESISTOR | ERJ3GEYJ 102 V (1 kΩ) |
| R76 | 7030003560 | S.RESISTOR | ERJ3GEYJ 103 V (10 kΩ) |
| R83 | 7030001040 | S.RESISTOR | MCR50JZHJ 18 Ω (180) |
| R84 | 7030003560 | S.RESISTOR | ERJ3GEYJ 103 V (10 kΩ) |
| R86 | 7030003720 | S.RESISTOR | ERJ3GEYJ 224 V (220 kΩ) |
| R87 | 7030003660 | S.RESISTOR | ERJ3GEYJ 683 V (68 kΩ) |
| R88 | 7030003660 | S.RESISTOR | ERJ3GEYJ 683 V (68 kΩ) |
| R89 | 7030003840 | S.RESISTOR | ERJ3GEYJ 225 V (2.2 MΩ) |
| R90 | 7030003720 | S.RESISTOR | ERJ3GEYJ 224 V (220 kΩ) |
| R92 | 7030003440 | S.RESISTOR | ERJ3GEYJ 102 V (1 kΩ) |
| R93 | 7030003560 | S.RESISTOR | ERJ3GEYJ 103 V (10 kΩ) |
| R98 | 7030003440 | S.RESISTOR | ERJ3GEYJ 102 V (1 kΩ) |
| R99 | 7030003440 | S.RESISTOR | ERJ3GEYJ 102 V (1 kΩ) |
| R100 | 7030003650 | S.RESISTOR | ERJ3GEYJ 563 V (56 kΩ) |
| R101 | 7030003650 | S.RESISTOR | ERJ3GEYJ 563 V (56 kΩ) |
| R102 | 7030003570 | S.RESISTOR | ERJ3GEYJ 123 V (12 kΩ) |
| R103 | 7030003680 | S.RESISTOR | ERJ3GEYJ 104 V (100 kΩ) |
| R105 | 7030003440 | S.RESISTOR | ERJ3GEYJ 102 V (1 kΩ) |
| R106 | 7030003440 | S.RESISTOR | ERJ3GEYJ 102 V (1 kΩ) |
| R107 | 7030003680 | S.RESISTOR | ERJ3GEYJ 104 V (100 kΩ) |
| R108 | 7030003440 | S.RESISTOR | ERJ3GEYJ 102 V (1 kΩ) |
| R109 | 7030003440 | S.RESISTOR | ERJ3GEYJ 102 V (1 kΩ) |
| R110 | 7030003440 | S.RESISTOR | ERJ3GEYJ 102 V (1 kΩ) |
| R111 | 7030003440 | S.RESISTOR | ERJ3GEYJ 102 V (1 kΩ) |
| R112 | 7030003440 | S.RESISTOR | ERJ3GEYJ 102 V (1 kΩ) |
| R113 | 7030003440 | S.RESISTOR | ERJ3GEYJ 102 V (1 kΩ) |
| R114 | 7030003440 | S.RESISTOR | ERJ3GEYJ 102 V (1 kΩ) |
| R115 | 7030003440 | S.RESISTOR | ERJ3GEYJ 102 V (1 kΩ) |
| R116 | 7030003440 | S.RESISTOR | ERJ3GEYJ 102 V (1 kΩ) |
| R117 | 7030003440 | S.RESISTOR | ERJ3GEYJ 102 V (1 kΩ) |
| R118 | 7030003440 | S.RESISTOR | ERJ3GEYJ 102 V (1 kΩ) |
| R119 | 7030003440 | S.RESISTOR | ERJ3GEYJ 102 V (1 kΩ) |
| R120 | 7030003440 | S.RESISTOR | ERJ3GEYJ 102 V (1 kΩ) |
| R121 | 7030003440 | S.RESISTOR | ERJ3GEYJ 102 V (1 kΩ) |
| R136 | 7030003560 | S.RESISTOR | ERJ3GEYJ 103 V (10 kΩ) |
| R137 | 7030003280 | S.RESISTOR | ERJ3GEYJ 470 V (47 Ω) |

S.=Surface mount

[CTRL UNIT]

| REF NO. | ORDER NO. | DESCRIPTION | |
|---------|------------|----------------|-------------------------|
| R138 | 7030003440 | S.RESISTOR | ERJ3GEYJ 102 V (1 kΩ) |
| R139 | 7030003560 | S.RESISTOR | ERJ3GEYJ 103 V (10 kΩ) |
| R140 | 7030003280 | S.RESISTOR | ERJ3GEYJ 470 V (47 Ω) |
| R141 | 7030003440 | S.RESISTOR | ERJ3GEYJ 102 V (1 kΩ) |
| R142 | 7030003280 | S.RESISTOR | ERJ3GEYJ 470 V (47 Ω) |
| R143 | 7030003440 | S.RESISTOR | ERJ3GEYJ 102 V (1 kΩ) |
| R144 | 7030003280 | S.RESISTOR | ERJ3GEYJ 470 V (47 Ω) |
| R145 | 7030003440 | S.RESISTOR | ERJ3GEYJ 102 V (1 kΩ) |
| R146 | 7030003280 | S.RESISTOR | ERJ3GEYJ 470 V (47 Ω) |
| R147 | 7030003440 | S.RESISTOR | ERJ3GEYJ 102 V (1 kΩ) |
| R149 | 7030003680 | S.RESISTOR | ERJ3GEYJ 104 V (100 kΩ) |
| R150 | 7030000330 | S.RESISTOR | MCR10EZHZJ 390 Ω (391) |
| R151 | 7030000400 | S.RESISTOR | MCR10EZHZJ 1.5 kΩ (152) |
| R152 | 7030003520 | S.RESISTOR | ERJ3GEYJ 472 V (4.7 kΩ) |
| R153 | 7030003520 | S.RESISTOR | ERJ3GEYJ 472 V (4.7 kΩ) |
| R154 | 7030003480 | S.RESISTOR | ERJ3GEYJ 222 V (2.2 kΩ) |
| R155 | 7030003390 | S.RESISTOR | ERJ3GEYJ 391 V (390 Ω) |
| R156 | 7030000400 | S.RESISTOR | MCR10EZHZJ 1.5 kΩ (152) |
| R157 | 7030003560 | S.RESISTOR | ERJ3GEYJ 103 V (10 kΩ) |
| R158 | 7030003560 | S.RESISTOR | ERJ3GEYJ 103 V (10 kΩ) |
| C1 | 4010005530 | CERAMIC | HM60SJ SL 020C 500V |
| C2 | 4030007090 | S.CERAMIC | C1608 CH 1H 470J-T-A |
| C3 | 4610001260 | S.TRIMMER | ECR-JA020 E12W |
| C4 | 4010005530 | CERAMIC | HM60SJ SL 020C 500V |
| C5 | 4030007100 | S.CERAMIC | C1608 CH 1H 560J-T-A |
| C6 | 4030006860 | S.CERAMIC | C1608 JB 1H 102K-T-A |
| C7 | 4030006860 | S.CERAMIC | C1608 JB 1H 102K-T-A |
| C8 | 4030006880 | S.CERAMIC | C1608 JB 1H 472K-T-A |
| C9 | 4030006880 | S.CERAMIC | C1608 JB 1H 472K-T-A |
| C10 | 4030006880 | S.CERAMIC | C1608 JB 1H 472K-T-A |
| C11 | 4030006880 | S.CERAMIC | C1608 JB 1H 472K-T-A |
| C12 | 4010005540 | CERAMIC | HM60SJ SL 030C 500V |
| C13 | 4030007070 | S.CERAMIC | C1608 CH 1H 330J-T-A |
| C14 | 4030007070 | S.CERAMIC | C1608 CH 1H 330J-T-A |
| C15 | 4030007070 | S.CERAMIC | C1608 CH 1H 330J-T-A |
| C16 | 4030006880 | S.CERAMIC | C1608 JB 1H 472K-T-A |
| C17 | 4030007120 | S.CERAMIC | C1608 CH 1H 820J-T-A |
| C20 | 4030006880 | S.CERAMIC | C1608 JB 1H 472K-T-A |
| C21 | 4030006880 | S.CERAMIC | C1608 JB 1H 472K-T-A |
| C22 | 4550003120 | S.TANTALUM | TEMSVD2 1A 476M-12L |
| C23 | 4030006880 | S.CERAMIC | C1608 JB 1H 472K-T-A |
| C24 | 4030007170 | S.CERAMIC | C1608 CH 1H 221J-T-A |
| C25 | 4030007170 | S.CERAMIC | C1608 CH 1H 221J-T-A |
| C26 | 4030006880 | S.CERAMIC | C1608 JB 1H 472K-T-A |
| C27 | 4030006880 | S.CERAMIC | C1608 JB 1H 472K-T-A |
| C30 | 4030007170 | S.CERAMIC | C1608 CH 1H 221J-T-A |
| C31 | 4030011340 | S.CERAMIC | C1608 CH 1H 471J-T-A |
| C32 | 4010005530 | CERAMIC | HM60SJ SL 020C 500V |
| C33 | 4030007110 | S.CERAMIC | C1608 CH 1H 680J-T-A |
| C34 | 4030007110 | S.CERAMIC | C1608 CH 1H 680J-T-A |
| C35 | 4030006880 | S.CERAMIC | C1608 JB 1H 472K-T-A |
| C36 | 4030006860 | S.CERAMIC | C1608 JB 1H 102K-T-A |
| C37 | 4030006880 | S.CERAMIC | C1608 JB 1H 472K-T-A |
| C38 | 4030006880 | S.CERAMIC | C1608 JB 1H 472K-T-A |
| C39 | 4030006880 | S.CERAMIC | C1608 JB 1H 472K-T-A |
| C40 | 4030006880 | S.CERAMIC | C1608 JB 1H 472K-T-A |
| C43 | 4030007170 | S.CERAMIC | C1608 CH 1H 221J-T-A |
| C44 | 4030011340 | S.CERAMIC | C1608 CH 1H 471J-T-A |
| C45 | 4030011600 | S.CERAMIC | C1608 JB 1C 104KT-N |
| C46 | 4030011600 | S.CERAMIC | C1608 JB 1C 104KT-N |
| C47 | 4030009990 | S.CERAMIC | C1608 CH 1H 200J-T-A |
| C48 | 4030009990 | S.CERAMIC | C1608 CH 1H 200J-T-A |
| C49 | 4030006880 | S.CERAMIC | C1608 JB 1H 472K-T-A |
| C51 | 4030006860 | S.CERAMIC | C1608 JB 1H 102K-T-A |
| C52 | 4030006880 | S.CERAMIC | C1608 JB 1H 472K-T-A |
| C53 | 4030006880 | S.CERAMIC | C1608 JB 1H 472K-T-A |
| C54 | 4030006880 | S.CERAMIC | C1608 JB 1H 472K-T-A |
| C55 | 4030006860 | S.CERAMIC | C1608 JB 1H 102K-T-A |
| C56 | 4030006880 | S.CERAMIC | C1608 JB 1H 472K-T-A |
| C57 | 4030006880 | S.CERAMIC | C1608 JB 1H 472K-T-A |
| C58 | 4030006880 | S.CERAMIC | C1608 JB 1H 472K-T-A |
| C59 | 4030006880 | S.CERAMIC | C1608 JB 1H 472K-T-A |
| C60 | 4030006880 | S.CERAMIC | C1608 JB 1H 472K-T-A |
| C62 | 4030006880 | S.CERAMIC | C1608 JB 1H 472K-T-A |
| C63 | 4030007100 | S.CERAMIC | C1608 CH 1H 560J-T-A |
| C64 | 4030007040 | S.CERAMIC | C1608 CH 1H 180J-T-A |
| C65 | 4030007120 | S.CERAMIC | C1608 CH 1H 820J-T-A |
| C66 | 4030007070 | S.CERAMIC | C1608 CH 1H 330J-T-A |
| C69 | 4510004630 | S.ELECTROLYTIC | ECEV1CA100SR |
| C70 | 4510004630 | S.ELECTROLYTIC | ECEV1CA100SR |

[CTRL UNIT]

| REF NO. | ORDER NO. | DESCRIPTION | |
|---------|------------|----------------|------------------------|
| C71 | 4030011600 | S.CERAMIC | C1608 JB 1C 104KT-N |
| C72 | 4510006260 | S.ELECTROLYTIC | ECEV1AA471UP |
| C73 | 4030006880 | S.CERAMIC | C1608 JB 1H 472K-T-A |
| C74 | 4030006880 | S.CERAMIC | C1608 JB 1H 472K-T-A |
| C75 | 4030006880 | S.CERAMIC | C1608 JB 1H 472K-T-A |
| C76 | 4030006880 | S.CERAMIC | C1608 JB 1H 472K-T-A |
| C77 | 4030006880 | S.CERAMIC | C1608 JB 1H 472K-T-A |
| C78 | 4030006880 | S.CERAMIC | C1608 JB 1H 472K-T-A |
| C79 | 4030006880 | S.CERAMIC | C1608 JB 1H 472K-T-A |
| C80 | 4030006880 | S.CERAMIC | C1608 JB 1H 472K-T-A |
| C81 | 4030006880 | S.CERAMIC | C1608 JB 1H 472K-T-A |
| C82 | 4030006880 | S.CERAMIC | C1608 JB 1H 472K-T-A |
| C83 | 4030006880 | S.CERAMIC | C1608 JB 1H 472K-T-A |
| C84 | 4030006880 | S.CERAMIC | C1608 JB 1H 472K-T-A |
| C85 | 4030006880 | S.CERAMIC | C1608 JB 1H 472K-T-A |
| C86 | 4030006880 | S.CERAMIC | C1608 JB 1H 472K-T-A |
| C90 | 4510004440 | S.ELECTROLYTIC | ECEV1HA010SR |
| C91 | 4510004440 | S.ELECTROLYTIC | ECEV1HA010SR |
| C92 | 4510004440 | S.ELECTROLYTIC | ECEV1HA010SR |
| C93 | 4510004440 | S.ELECTROLYTIC | ECEV1HA010SR |
| C94 | 4510004440 | S.ELECTROLYTIC | ECEV1HA010SR |
| C95 | 4510004440 | S.ELECTROLYTIC | ECEV1HA010SR |
| C96 | 4510004440 | S.ELECTROLYTIC | ECEV1HA010SR |
| C97 | 4510004440 | S.ELECTROLYTIC | ECEV1HA010SR |
| C98 | 4510006220 | S.ELECTROLYTIC | ECEV1CA101UP |
| C99 | 4030007010 | S.CERAMIC | C1608 CH 1H 100D-T-A |
| C100 | 4030007110 | S.CERAMIC | C1608 CH 1H 680J-T-A |
| C101 | 4030006880 | S.CERAMIC | C1608 JB 1H 472K-T-A |
| C102 | 4510004630 | S.ELECTROLYTIC | ECEV1CA100SR |
| C105 | 4030010000 | S.CERAMIC | C1608 CH 1H 510J-T-A |
| C107 | 4010005550 | CERAMIC | HM60SJ SL 040C 500V |
| C109 | 4030011600 | S.CERAMIC | C1608 JB 1C 104KT-N |
| C110 | 4030011600 | S.CERAMIC | C1608 JB 1C 104KT-N |
| C111 | 4030006880 | S.CERAMIC | C1608 JB 1H 472K-T-A |
| C112 | 4030006880 | S.CERAMIC | C1608 JB 1H 472K-T-A |
| C113 | 4030006880 | S.CERAMIC | C1608 JB 1H 472K-T-A |
| C114 | 4030006880 | S.CERAMIC | C1608 JB 1H 472K-T-A |
| C203 | 4030006880 | S.CERAMIC | C1608 JB 1H 472K-T-A |
| C209 | 4030006900 | S.CERAMIC | C1608 JB 1E 103K-T-A |
| C210 | 4030006900 | S.CERAMIC | C1608 JB 1E 103K-T-A |
| C211 | 4010005520 | CERAMIC | HM60SJ SL 010C 500V |
| C212 | 4030007020 | S.CERAMIC | C1608 CH 1H 120J-T-A |
| C213 | 4030007050 | S.CERAMIC | C1608 CH 1H 220J-T-A |
| C214 | 4030006860 | S.CERAMIC | C1608 JB 1H 102K-T-A |
| C215 | 4030005040 | S.CERAMIC | C2012 CH 1H 271J-T-A |
| C216 | 4030011600 | S.CERAMIC | C1608 JB 1C 104KT-N |
| RL1 | 6330001460 | RELAY | FTR-F1CA012V |
| RL2 | 6330001460 | RELAY | FTR-F1CA012V |
| RL3 | 6330001460 | RELAY | FTR-F1CA012V |
| RL4 | 6330000470 | RELAY | NR-HD (12V) AE5343 |
| J1 | 6510007020 | CONNECTOR | TMP-J01X-V6 |
| J3 | 6510007020 | CONNECTOR | TMP-J01X-V6 |
| J4 | 6510007020 | CONNECTOR | TMP-J01X-V6 |
| J7 | 6510019990 | S.CONNECTOR | 52808-2290 |
| J8 | 6510019990 | S.CONNECTOR | 52808-2290 |
| J10 | 6510003410 | CONNECTOR | B05B-EH-S |
| J11 | 6510003410 | CONNECTOR | B05B-EH-S |
| J14 | 6510018960 | S.CONNECTOR | B2B-PH-SM3-TB |
| W2 | 7030003860 | S.JUMPER | ERJ3GE JPW V |
| W3 | 7030003860 | S.JUMPER | ERJ3GE JPW V |
| W4 | 7030003860 | S.JUMPER | ERJ3GE JPW V |
| W5 | 7030003860 | S.JUMPER | ERJ3GE JPW V |
| W6 | 7030003860 | S.JUMPER | ERJ3GE JPW V |
| W7 | 7030003860 | S.JUMPER | ERJ3GE JPW V |
| W8 | 7030003860 | S.JUMPER | ERJ3GE JPW V |
| W9 | 7030003860 | S.JUMPER | ERJ3GE JPW V |
| W10 | 7030003860 | S.JUMPER | ERJ3GE JPW V |
| W11 | 7120000010 | JUMPER | JPW 02A |
| W12 | 7120000010 | JUMPER | JPW 02A |
| WS1 | 8600036240 | | P03xJ13CT |
| WS2 | 8970023110 | | COAXIAL 1.5 (d) (1)/CT |
| EP1 | 0910049466 | PCB | B 5086F |

S.=Surface mount

[FILTER UNIT]

| REF NO. | ORDER NO. | DESCRIPTION | |
|---------|------------|-------------|----------------------|
| L1 | 6140003440 | COIL | LR-386 |
| L2 | 6140003440 | COIL | LR-386 |
| C1 | 4030004740 | S.CERAMIC | C2012 JB 1H 472K-T-A |
| C2 | 4030005140 | S.CERAMIC | C3216 JB 1E 104K-T-A |
| C5 | 4030004740 | S.CERAMIC | C2012 JB 1H 472K-T-A |
| C6 | 4030004740 | S.CERAMIC | C2012 JB 1H 472K-T-A |
| C7 | 4030005140 | S.CERAMIC | C3216 JB 1E 104K-T-A |
| C8 | 4030005140 | S.CERAMIC | C3216 JB 1E 104K-T-A |
| C9 | 4030005140 | S.CERAMIC | C3216 JB 1E 104K-T-A |
| C10 | 4030004740 | S.CERAMIC | C2012 JB 1H 472K-T-A |
| C12 | 4030005140 | S.CERAMIC | C3216 JB 1E 104K-T-A |
| C13 | 4030004740 | S.CERAMIC | C2012 JB 1H 472K-T-A |
| C15 | 4030005140 | S.CERAMIC | C3216 JB 1E 104K-T-A |
| C16 | 4030004740 | S.CERAMIC | C2012 JB 1H 472K-T-A |
| C18 | 4030005140 | S.CERAMIC | C3216 JB 1E 104K-T-A |
| C19 | 4030004740 | S.CERAMIC | C2012 JB 1H 472K-T-A |
| EP1 | 0910050013 | PCB | B 5143C |
| EP2 | 6910011330 | TERMINAL | OT-009 M3 |
| EP3 | 6910011330 | TERMINAL | OT-009 M3 |
| EP4 | 6910011330 | TERMINAL | OT-009 M3 |
| EP5 | 6910011330 | TERMINAL | OT-009 M3 |

S.=Surface mount

SECTION 7 MECHANICAL PARTS

[FRONT UNIT]

| REF. NO. | ORDER NO. | DESCRIPTION | QTY. |
|----------|------------|---------------------------|------|
| EP1 | 6910011090 | RMS20-250-201-P | 1 |
| EP2 | 6450001230 | Plate HLJ0999-01-480 | 1 |
| EP3 | 6450001230 | Plate HLJ0999-01-480 | 1 |
| MP1 | 8210015271 | 2072 front panel-1 | 1 |
| MP2 | 8010017292 | 2072 sub chassis-2 | 1 |
| MP3 | 8930045410 | 2072 window plate | 1 |
| MP4 | 8930045480 | 2072 10-key | 1 |
| MP5 | 8930045470 | 2072 mode key | 1 |
| MP6 | 8930045420 | 2072 P-key | 1 |
| MP7 | 8930045430 | 2072 T-A key | 1 |
| MP8 | 8930045440 | 2072 N-A key | 1 |
| MP9 | 8930045450 | 2072 S-L key | 1 |
| MP10 | 8930045460 | 2072 4-key | 1 |
| MP11 | 8610010250 | Knob N251 | 3 |
| MP12 | 8610010260 | Knob N252 | 3 |
| MP13 | 8610010620 | Knob N253 (A) | 2 |
| MP14 | 8610010650 | Knob N268 | 1 |
| MP17 | 8930027470 | 1296 brake pad | 1 |
| MP18 | 8930037111 | 1691 brake sheet-1 | 1 |
| MP19 | 8930041060 | 1876 brake plate | 1 |
| MP20 | 8930032340 | 1424 N-spring | 1 |
| MP25 | 8820000770 | 1296 screw | 1 |
| MP26 | 8810008660 | Screw PH BT M3 x 8 NI-ZU | 5 |
| MP27 | 8810008660 | Screw PH BT M3 x 8 NI-ZU | 2 |
| MP28 | 8810009180 | FH BT M2 x 5 NI-ZU | 2 |
| MP29 | 8810009180 | FH BT M2 x 5 NI-ZU | 5 |
| MP30 | 8810009180 | FH BT M2 x 5 NI-ZU | 1 |
| MP31 | 8810009180 | FH BT M2 x 5 NI-ZU | 2 |
| MP32 | 8810009180 | FH BT M2 x 5 NI-ZU | 2 |
| MP33 | 8810009180 | FH BT M2 x 5 NI-ZU | 2 |
| MP34 | 8810009180 | FH BT M2 x 5 NI-ZU | 3 |
| MP35 | 8810009390 | Screw PH BT M3 x 18 NI-ZU | 1 |
| MP39 | 8850001640 | Washer (S) | 1 |

[MIC BOARD]

| REF. NO. | ORDER NO. | DESCRIPTION | QTY. |
|----------|------------|-------------------------|------|
| J1 | 6510000190 | Connector FM214-8SS (P) | 1 |

[PBT BOARD]

| REF. NO. | ORDER NO. | DESCRIPTION | QTY. |
|----------|------------|--------------------------|------|
| R1 S | 7210002960 | Variable register RV-313 | 1 |
| S1, K1 | 2260002430 | Switch SW-165 | 1 |

[RIT BOARD]

| REF. NO. | ORDER NO. | DESCRIPTION | QTY. |
|----------|------------|---------------|------|
| S1 | 2250000340 | EVQ-VCJF0324B | 1 |

[DISPLAY BOARD]

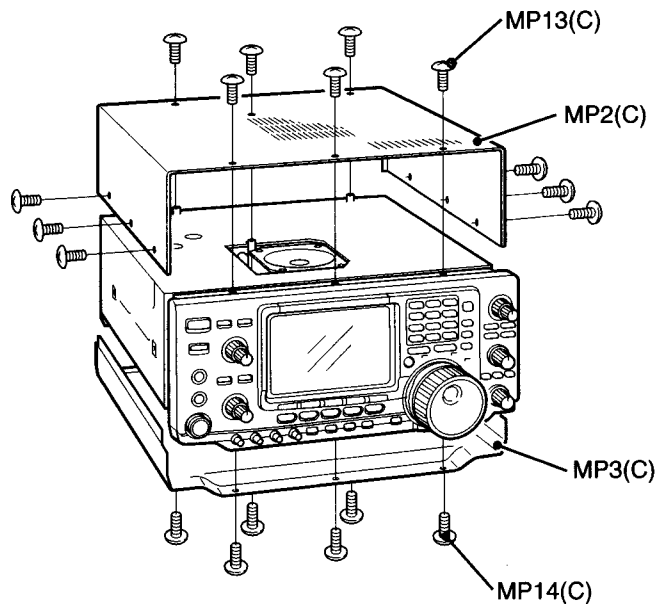
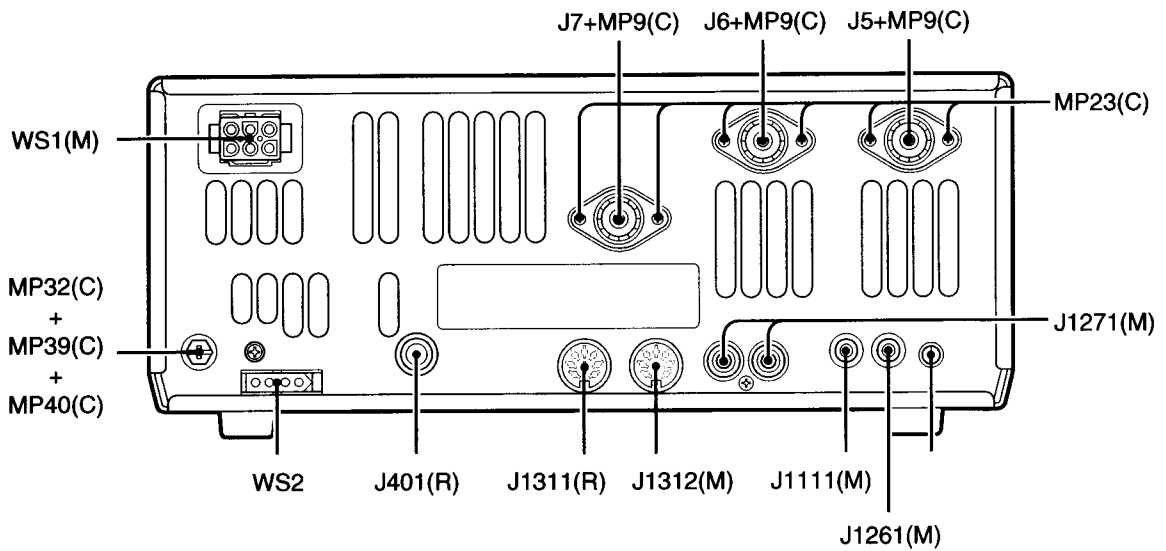
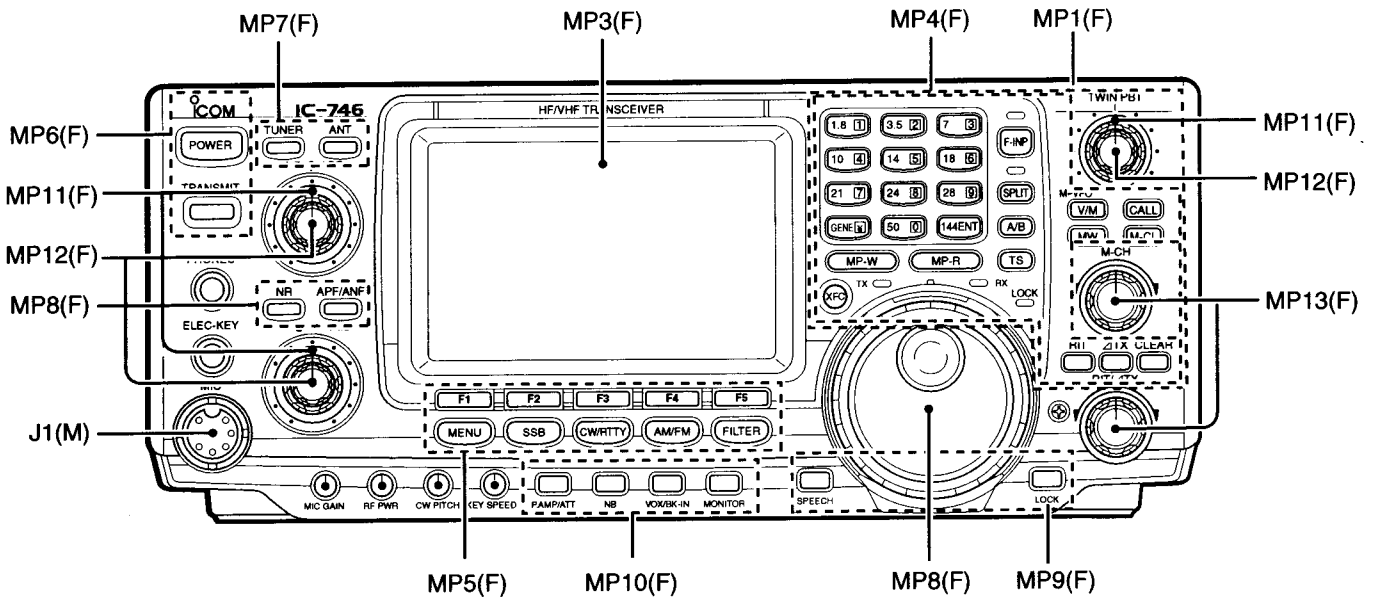
| REF. NO. | ORDER NO. | DESCRIPTION | QTY. |
|----------|------------|--------------|------|
| DS1001 | 5030001600 | DLC-7997S2GT | 1 |

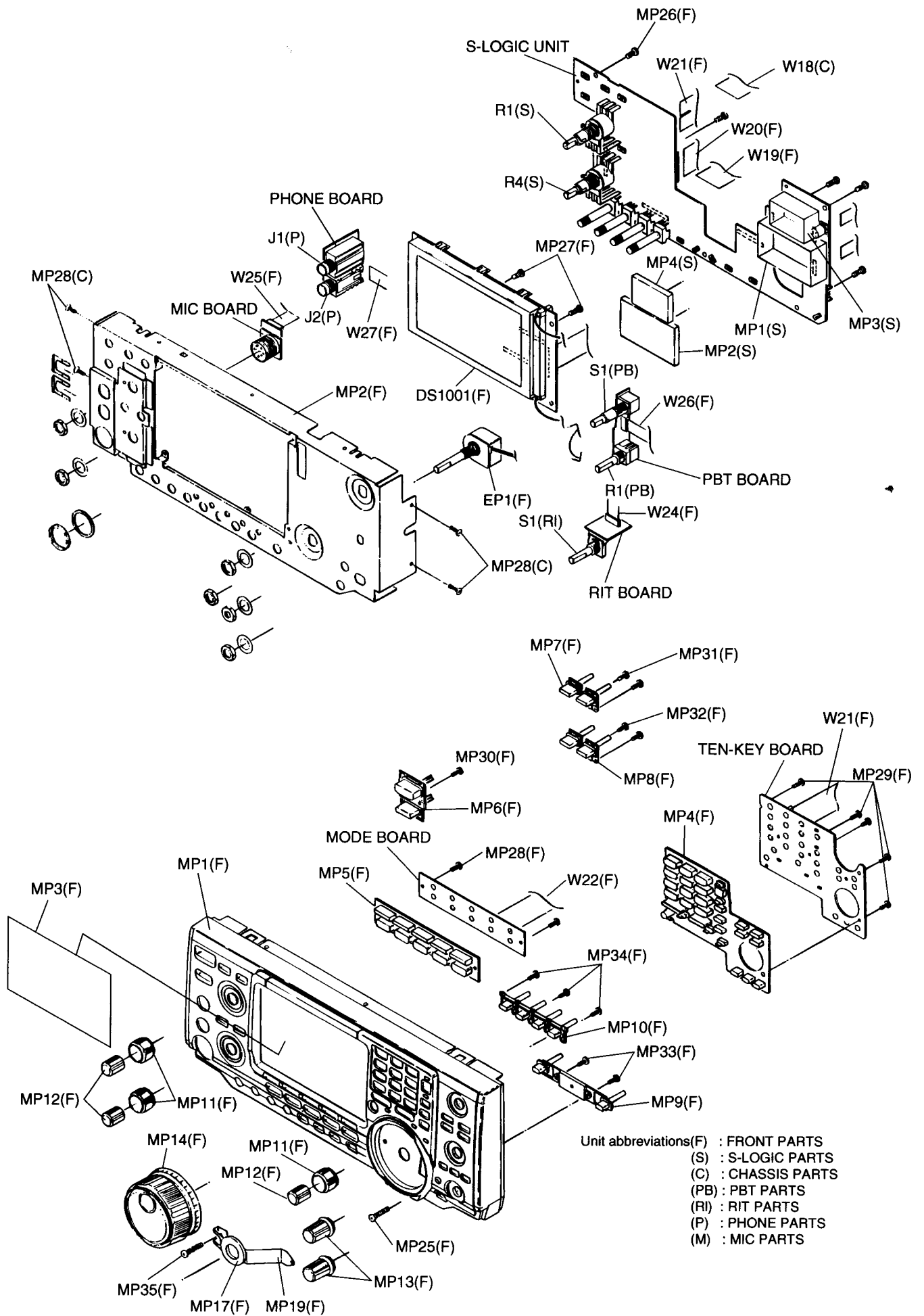
[S-LOGIC UNIT]

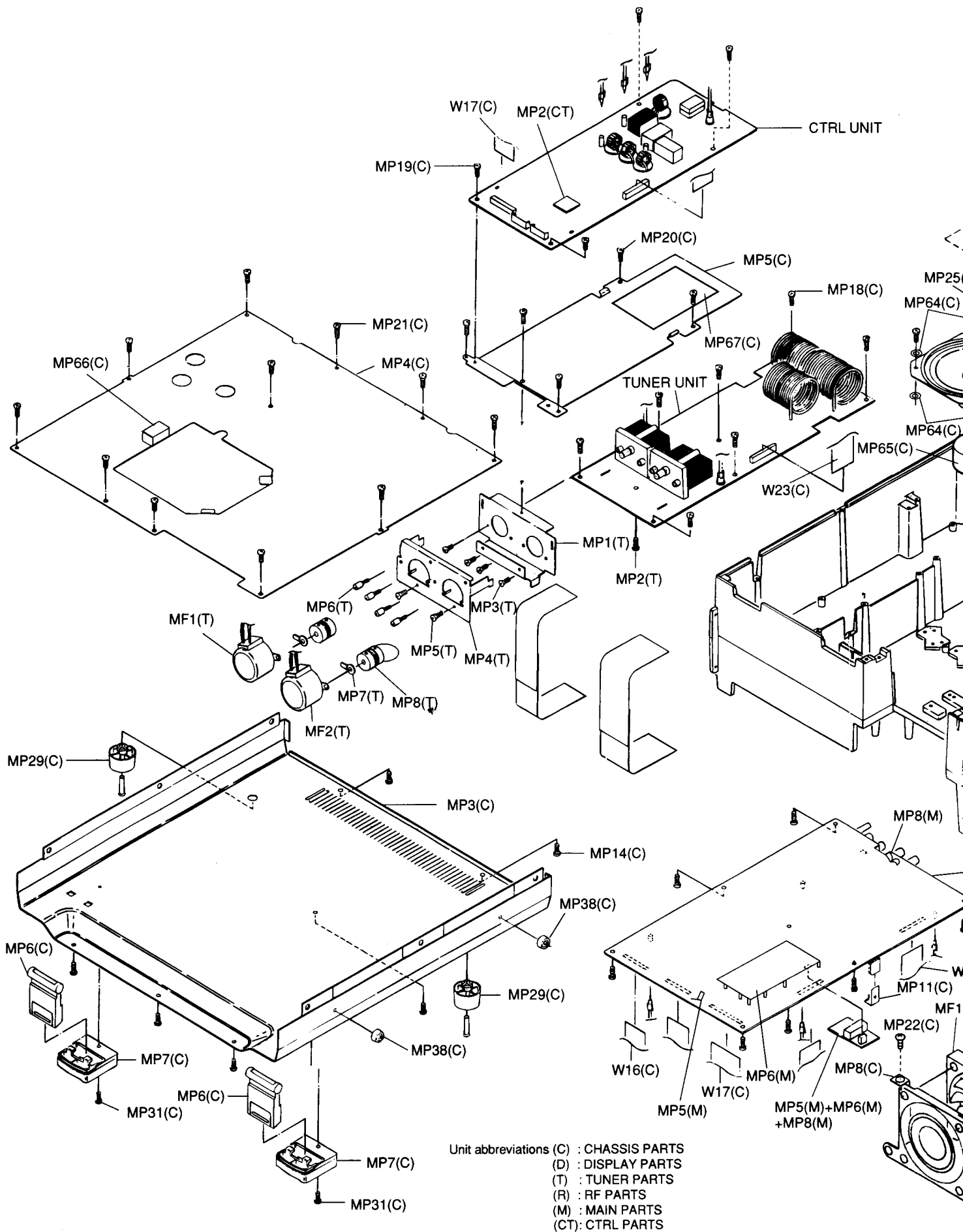
| REF. NO. | ORDER NO. | DESCRIPTION | QTY. |
|----------|------------|------------------------------|------|
| R1 | 7210002890 | Variable register RV-308 | 1 |
| R4 | 7210002890 | Variable register RV-308 | 1 |
| MP1 | 8510001080 | Shield case (A) | 1 |
| MP2 | 8510001101 | Shield case (A) cover (A) -1 | 1 |
| MP3 | 8510005980 | 724 shield case | 1 |
| MP4 | 8510005990 | 724 shield case cover | 1 |

[PHONE BOARD]

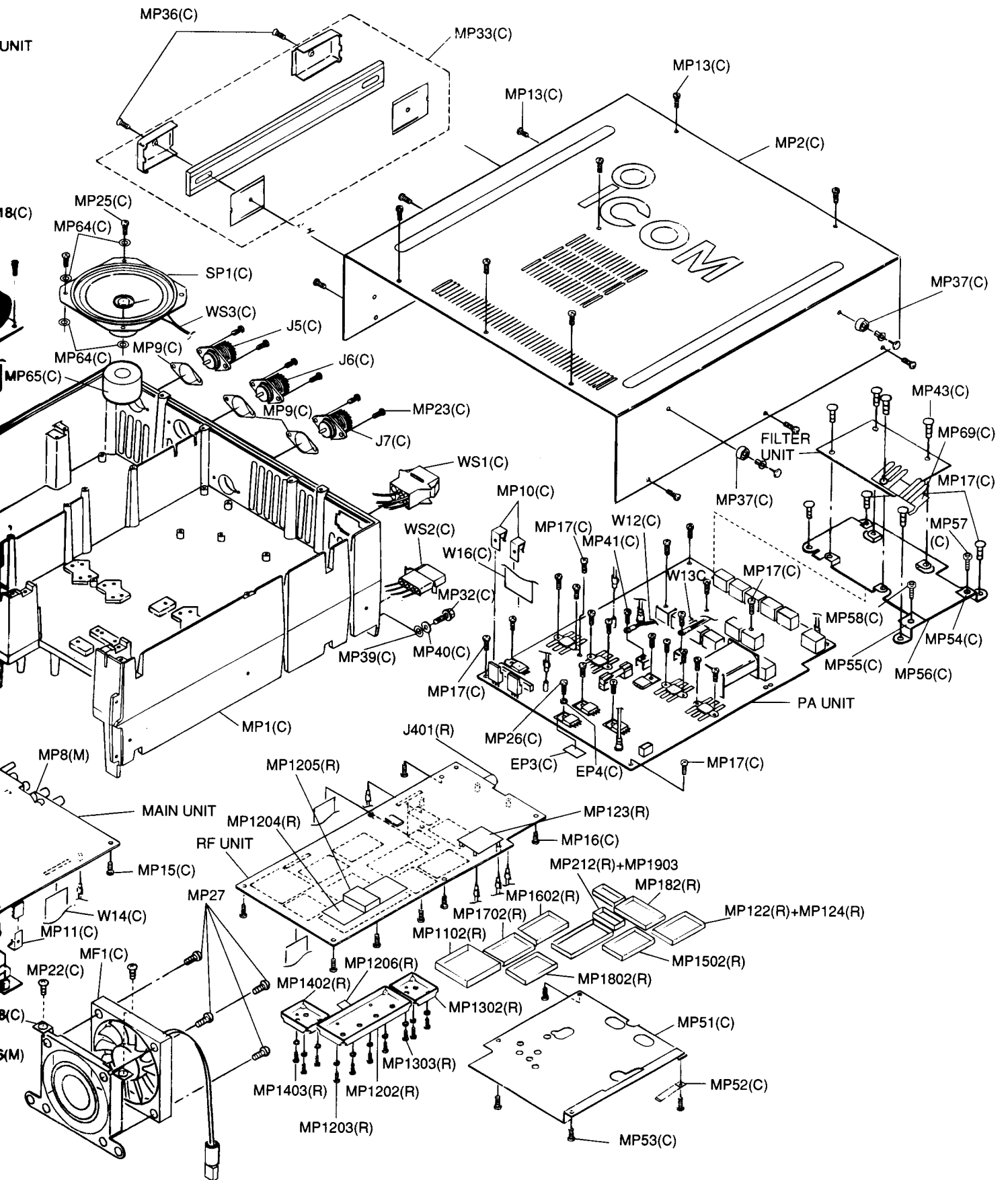
| REF. NO. | ORDER NO. | DESCRIPTION | QTY. |
|----------|------------|---------------------------|------|
| J1 | 6450001890 | Connector HLJ5305-01-4090 | 1 |
| J2 | 6450001790 | Connector HLJ7000-01-3010 | 1 |







Unit abbreviations (C) : CHASSIS PARTS
 (D) : DISPLAY PARTS
 (T) : TUNER PARTS
 (R) : RF PARTS
 (M) : MAIN PARTS
 (CT): CTRL PARTS



[CHASSIS PARTS]

| REF. NO. | ORDER NO. | DESCRIPTION | QTY. |
|----------|------------|---|------|
| J5 | 6510000370 | Connector MR-DS | 1 |
| J6 | 6510000370 | Connector MR-DS | 1 |
| J7 | 6510000370 | Connector MR-DS | 1 |
| EP3 | 6910000340 | Insulation sheet P101 KD | 1 |
| EP4 | 6910000310 | B312D insulation washer | 1 |
| MF1 | 2710000630 | Fan FBA08T12Hc | 1 |
| MP1 | 8010017222 | 2072 chassis -2 | 1 |
| MP2 | 8110006360 | 2072 T-cover | 1 |
| MP3 | 8110006350 | 2072 L-cover | 1 |
| MP4 | 8110006370 | 2072 shield cover | 1 |
| MP5 | 8930045171 | 2072 A-plate-1 | 1 |
| MP6 | 8930041350 | 1876 main stand | 2 |
| MP7 | 8930041340 | 1876 sub stand | 2 |
| MP8 | 8930029730 | 1413 fan holder | 1 |
| MP9 | 8930037001 | 1691 earth plate-1 | 3 |
| MP10 | 8930018520 | TR crip (A) | 2 |
| MP11 | 8930018520 | TR crip (A) | 1 |
| MP13 | 8810005770 | Screw BiH M3 x 8 ZK | 12 |
| MP14 | 8810005770 | Screw BiH M3 x 8 ZK | 6 |
| MP15 | 8810008660 | Screw PH BT M3 x 8 NI-ZU | 7 |
| MP16 | 8810008660 | Screw PH BT M3 x 8 NI-ZU | 8 |
| MP17 | 8810008660 | Screw PH BT M3 x 8 NI-ZU | 10 |
| MP18 | 8810008660 | Screw PH BT M3 x 8 NI-ZU | 7 |
| MP19 | 8810008660 | Screw PH BT M3 x 8 NI-ZU | 4 |
| MP20 | 8810008660 | Screw PH BT M3 x 8 NI-ZU | 4 |
| MP21 | 8810008660 | Screw PH BT M3 x 8 NI-ZU | 11 |
| MP22 | 8810008660 | Screw PH BT M3 x 8 NI-ZU | 2 |
| MP23 | 8810008660 | Screw PH BT M3 x 8 NI-ZU | 6 |
| MP24 | 8810008660 | Screw PH BT M3 x 8 NI-ZU | 1 |
| MP25 | 8810005770 | Screw BiH M3 x 8 ZK | 2 |
| MP26 | 8810003170 | Setscrew A M3 x 8 | 13 |
| MP27 | 8810000420 | Screw PH M4 x 18 | 4 |
| MP28 | 8810009310 | Screw FH BT M3 x 6 NI-ZU | 4 |
| MP29 | 8930042690 | Rubber foot (L) | 2 |
| MP31 | 8810008660 | Screw PH BT M3 x 8 NI-ZU | 2 |
| MP32 | 8820000530 | Screw M4 x 8 NI | 1 |
| MP33 | 8010016950 | Handle | 1 |
| MP36 | 8810003080 | Screw FH M4 x 12 CR BS | 2 |
| MP37 | 8930046120 | Rubber foot (M) | 2 |
| MP38 | 8930046120 | Rubber foot (M) | 2 |
| MP39 | 8850000430 | S washer M 4 NI | 1 |
| MP40 | 8850000140 | FH washer M 4 NI BS | 1 |
| MP41 | 8810003160 | Setscrew A M3 x 6 | 2 |
| MP42 | 8810003160 | Setscrew A M3 x 6 | 4 |
| MP43 | 8810003160 | Setscrew A M3 x 6 | 4 |
| MP51 | 8930046640 | 2072 RF plate | 1 |
| MP52 | 8930001170 | Earth spring (A) | 1 |
| MP53 | 8810008660 | Screw PH BT M3 x 8 NI-ZU | 4 |
| MP54 | 8930015640 | Holder | 1 |
| MP55 | 8930015640 | Holder | 1 |
| MP56 | 8930047290 | 2072 A-FILTER PLATE others | 1 |
| | 8930046761 | 2072 FILTER plate-1 [EUR], [FRA], [DEN] | 1 |
| MP57 | 8810003160 | Setscrew A M3 x 6 | 1 |
| MP58 | 8810003160 | Setscrew A M3 x 6 | 1 |
| MP59 | 8930046720 | 2072 BUSH | 1 |
| MP63 | 8930047220 | Sponge (FT) | 1 |
| MP64 | 8850001710 | Washer (R) | 4 |
| MP65 | 8930047100 | 2072 SP Sponge | 1 |
| MP66 | 8930047090 | Sponge (FP) | 1 |
| MP67 | 8930047070 | Sponge (FQ) | 1 |
| MP69 | 8930047210 | 2072 EMC spring | 1 |
| SP1 | 2510000760 | SM-77KY0208 | 1 |

[MAIN UNIT]

| REF. NO. | ORDER NO. | DESCRIPTION | QTY. |
|----------|------------|------------------|------|
| MP5 | 8930014140 | Earth spring (D) | 1 |
| MP6 | 8510006580 | VCO shield plate | 1 |
| MP8 | 8930014140 | Earth spring (D) | 1 |

[RF UNIT]

| REF. NO. | ORDER NO. | DESCRIPTION | QTY. |
|----------|------------|---------------------------|------|
| J401 | 6450001490 | Connector HLJ7001-01-3010 | 1 |
| MP122 | 8510005990 | 724 shield case cover | 1 |
| MP123 | 8510000180 | 117 shield plate | 1 |
| MP124 | 8930014140 | Earth spring (D) | 1 |
| MP182 | 8510005990 | 724 shield case cover | 1 |
| MP212 | 8510005160 | 602 shield case cover | 1 |
| MP1102 | 8510010770 | 1876 DSE COVER | 1 |
| MP1202 | 8510011520 | 2072 VCO cover | 1 |
| MP1203 | 8810003960 | SetscrewA M2.6 x 5 | 4 |
| MP1204 | 8510011710 | 2072 VCO shield | 1 |
| MP1205 | 8930013520 | Sponge (BJ) | 1 |
| MP1206 | 8930001170 | Earth spring (A) | 1 |
| MP1302 | 8510010060 | 1691 shield cover | 1 |
| MP1303 | 8810003960 | Setscrew A M2.6 x 5 | 3 |
| MP1402 | 8510010060 | 1691 shield cover | 1 |
| MP1403 | 8810003960 | Setscrew A M2.6 x 5 | 3 |
| MP1502 | 8510005990 | 724 shield case cover | 1 |
| MP1602 | 8510005990 | 724 shield case cover | 1 |
| MP1702 | 8510005990 | 724 shield case cover | 1 |
| MP1802 | 8510005990 | 724 shield case cover | 1 |
| MP1903 | 8930014140 | Earth spring (D) | 1 |

[TUNER UNIT]

| REF. NO. | ORDER NO. | DESCRIPTION | QTY. |
|----------|------------|----------------------------|------|
| MF1 | 2710000460 | Motor MP28GA | 1 |
| MF2 | 2710000460 | Motor MP29GA | 1 |
| MP1 | 8930041090 | 1876 A-angle | 1 |
| MP2 | 8810008660 | Screw PH BT M3 x 8 NI-ZU | 1 |
| MP3 | 8810009060 | Screw FH M3 x 6 ZK | 4 |
| MP4 | 8930041110 | 1876 B-angle | 1 |
| MP5 | 8810009060 | Screw FH M3 x 6 ZK | 2 |
| MP6 | 8820000880 | 1528 screw | 4 |
| MP7 | 8930030111 | 1414 plate-1 | 2 |
| MP8 | 8950003200 | UJ6-5 (universal coupling) | 2 |

[CTRL UNIT]

| REF. NO. | ORDER NO. | DESCRIPTION | QTY. |
|----------|------------|--------------------------|------|
| MP2 | 8510005411 | 661 shield case cover -1 | 1 |

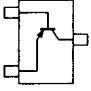

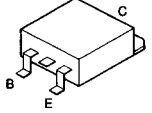

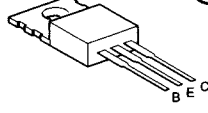

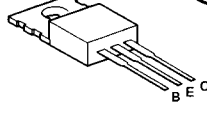

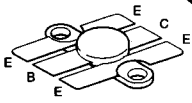
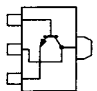
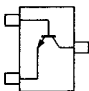
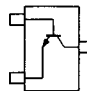
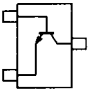
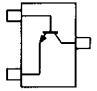
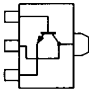

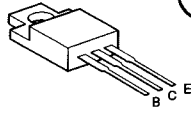
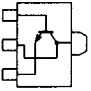
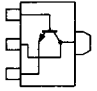
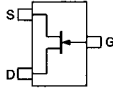
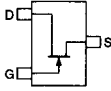
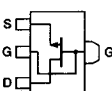
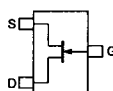
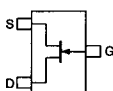
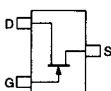
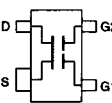
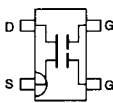
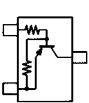
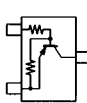
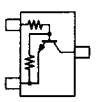
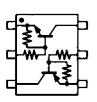
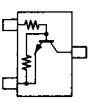
[UNPACKING]

| REF. NO. | ORDER NO. | DESCRIPTION | QTY. |
|----------|------------|--------------------------|------|
| F1 | 5210000080 | Fuse FGB 20A | 2 |
| F2 | 5210000060 | Fuse FGB 5A | 1 |
| W1 | 8900000220 | DC power cable OPC-025 A | 1 |
| MC1 | 7700000540 | Hand microphone HM-36 | 1 |

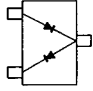
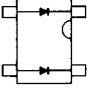
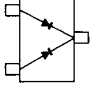
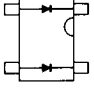
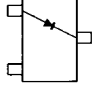
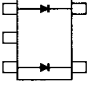
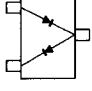
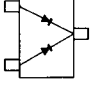
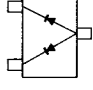
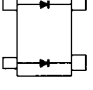
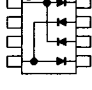
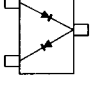
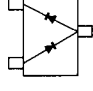
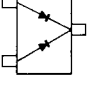
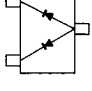
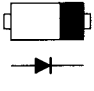
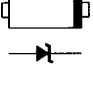
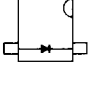
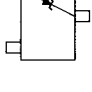
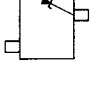
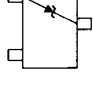
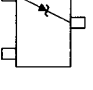
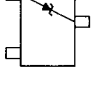
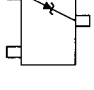
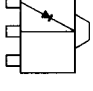
SECTION 8

SEMI-CONDUCTOR INFORMATION

• TRANSISTOR AND FET'S

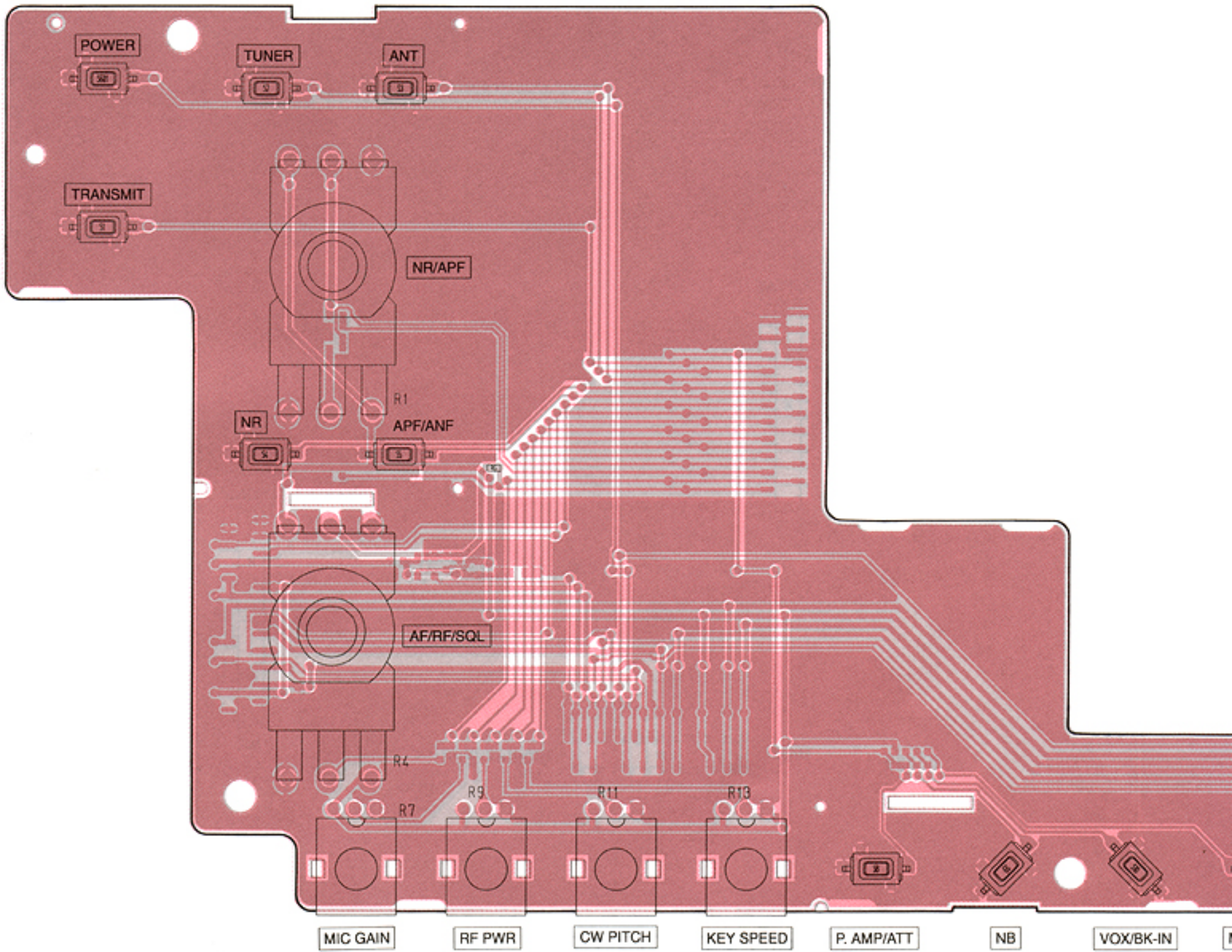
| | | | |
|---|---|--|--|
| <p>2SA1576 AT106 R (Symbol: FR)</p>  | <p>2SB1201 S (Symbol: B1201)</p>   | <p>2SC1971</p>   | <p>2SC1972</p>   |
| <p>2SC2694</p>   | <p>2SC3647 S (Symbol: CC)</p>  | <p>2SC4081 R (Symbol: BR)</p>  | <p>2SC4213 B (Symbol: AB)</p>  |
| <p>2SC4226 R25 (Symbol: R25)</p>  | <p>2SC4403 3 (Symbol: LY3)</p>  | <p>2SC4673 D (Symbol: CO)</p>  | <p>2SD1406</p>   |
| <p>2SD1619 (Symbol: DB)</p>  | <p>2SD1801 (Symbol: CE)</p>  | <p>2SK1740 (Symbol: IJ)</p>  | <p>2SK210 GR (Symbol: YG)</p>  |
| <p>2SK2171 4 (Symbol: KM)</p>  | <p>2SK508 K52 (Symbol: K52)</p>  | <p>2SK515 (Symbol: X33)</p>  | <p>2SK882 GR (Symbol: TG)</p>  |
| <p>3SK131 (Symbol: VIT)</p>  | <p>3SK228XR (Symbol: XR)</p>  | <p>DTA114EE (Symbol: 14)</p>  | <p>DTA114EUA (Symbol: 16)</p>  |
| <p>DTC114EUA (Symbol: 2)</p>  | <p>UMD3N TL (Symbol: D3)</p>  | <p>UN9211 (Symbol: 8A)</p>  | |

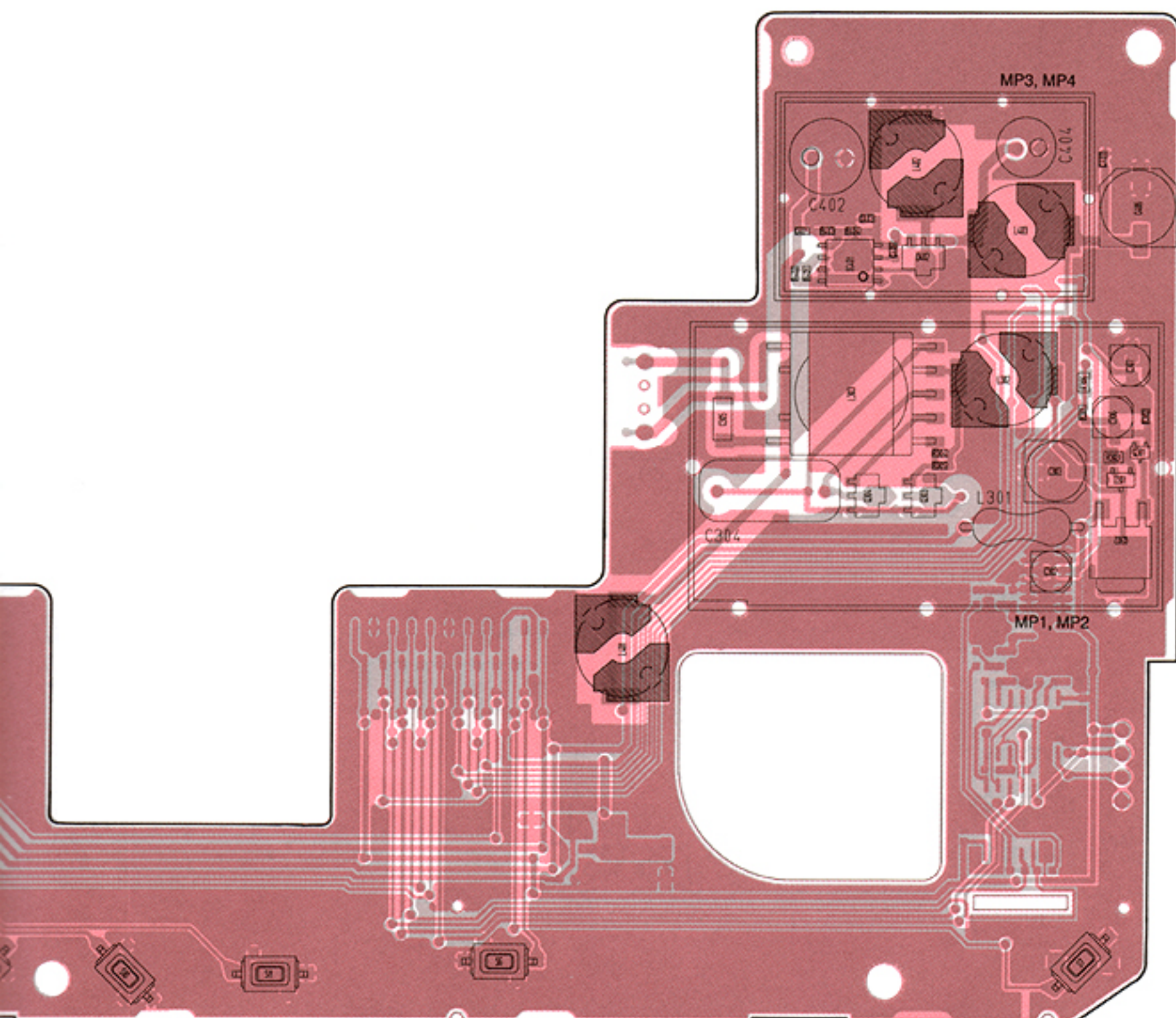
• DIODES

| | | | |
|--|---|--|---|
| <p>1SS302 (Symbol: C3)</p>  | <p>1SS319 (Symbol: A4)</p>  | <p>1SS385 (Symbol: 09)</p>  | <p>1SV237 (Symbol: BB)</p>  |
| <p>1SV263 (Symbol: JV)</p>  | <p>1SV265 TL (Symbol: LV)</p>  | <p>DA221 (Symbol: K)</p>  | <p>DAN222 (Symbol: N)</p>  |
| <p>DAP222 (Symbol: FR)</p>  | <p>DWA010 (Symbol: W8)</p>  | <p>HSB88WSTR (Symbol: Silver line)</p>  | <p>HSM88AS (Symbol: C1)</p>  |
| <p>HSM88ASR (Symbol: C3)</p>  | <p>HVM17-01TR (Symbol: T6)</p>  | <p>KV1470TL (Symbol: F7)</p>  | <p>MA77 (Symbol: 4B)</p>  |
| <p>MA8024 (Symbol: 2.4)</p>  | <p>MA862 (Symbol: M11)</p>  | <p>RD12M T2B2 (Symbol: 122)</p>  | <p>RD3.0M B2 (Symbol: 302)</p>  |
| <p>RD5.1M B2 (Symbol: 512)</p>  | <p>RD5.6M B2 (Symbol: 562)</p>  | <p>RD7.5M T2B1 (Symbol: 751)</p>  | <p>RD9.1M B2 (Symbol: 912)</p>  |
| <p>SB10 05PCP TD (Symbol: SA)</p>  | | | |

SECTION 9 BOARD LAYOUTS

9-1 S-LOGIC BOARD (TOP VIEW)





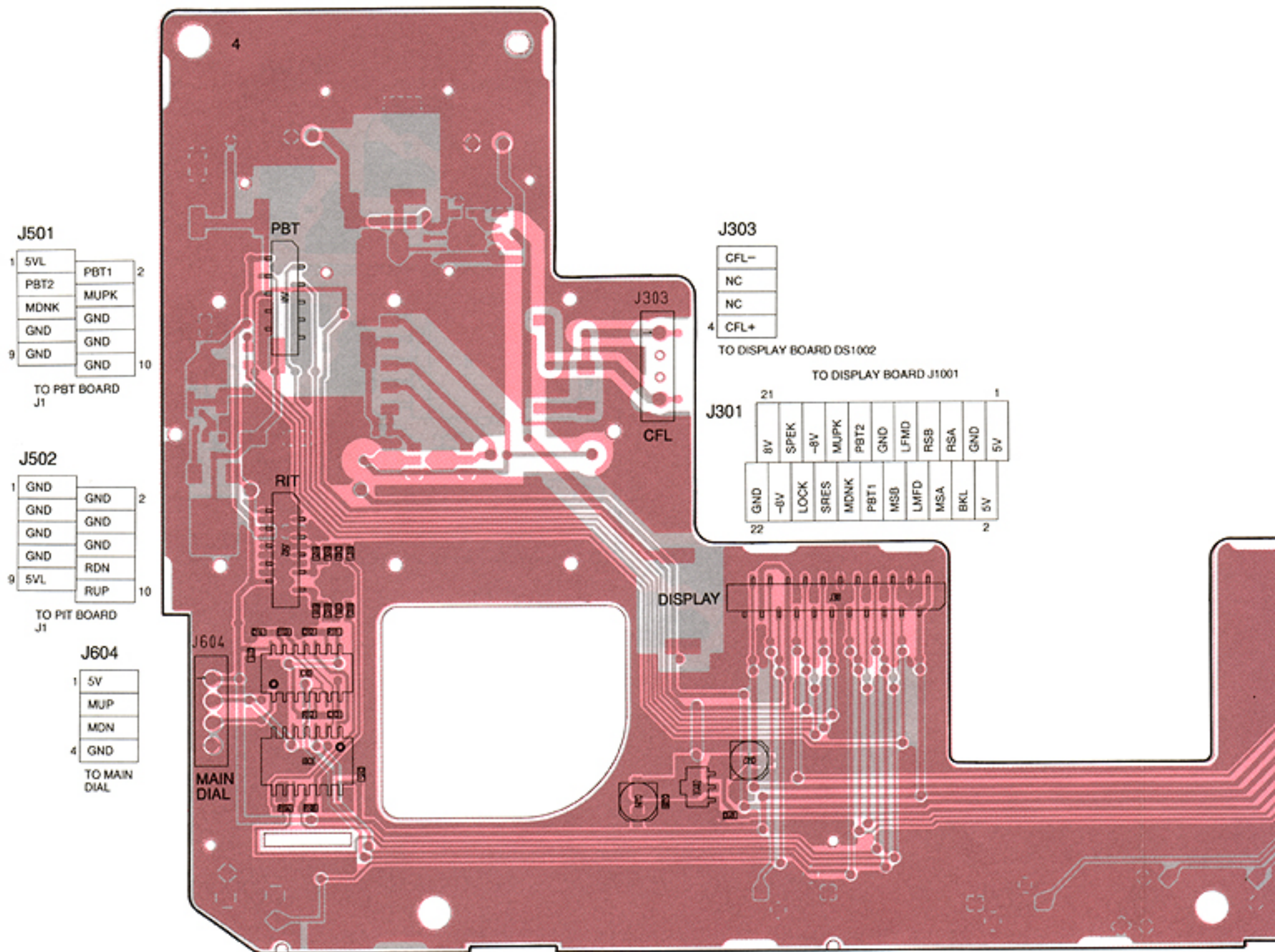
VOX/BK-IN

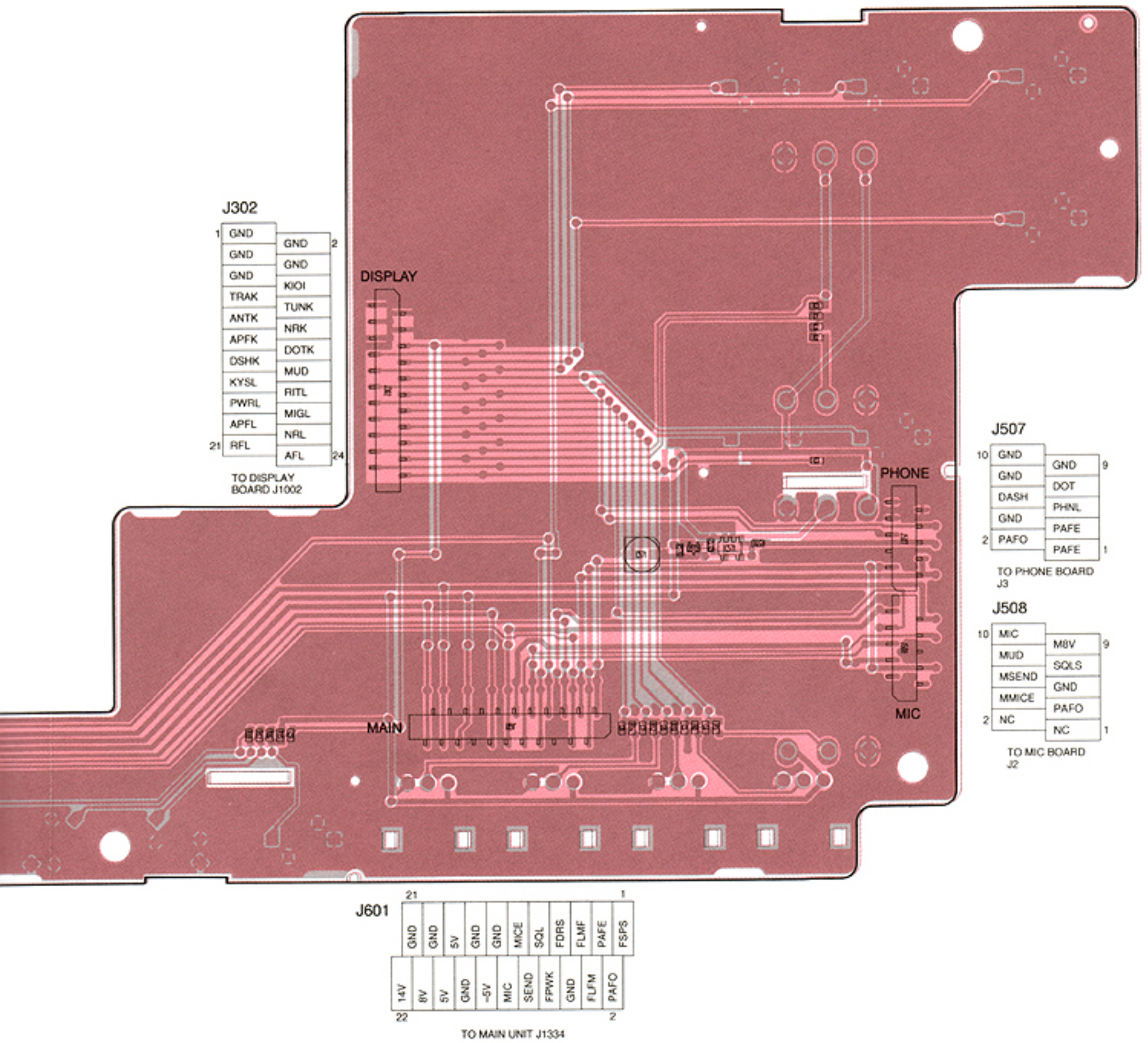
MONITOR

SPEECH

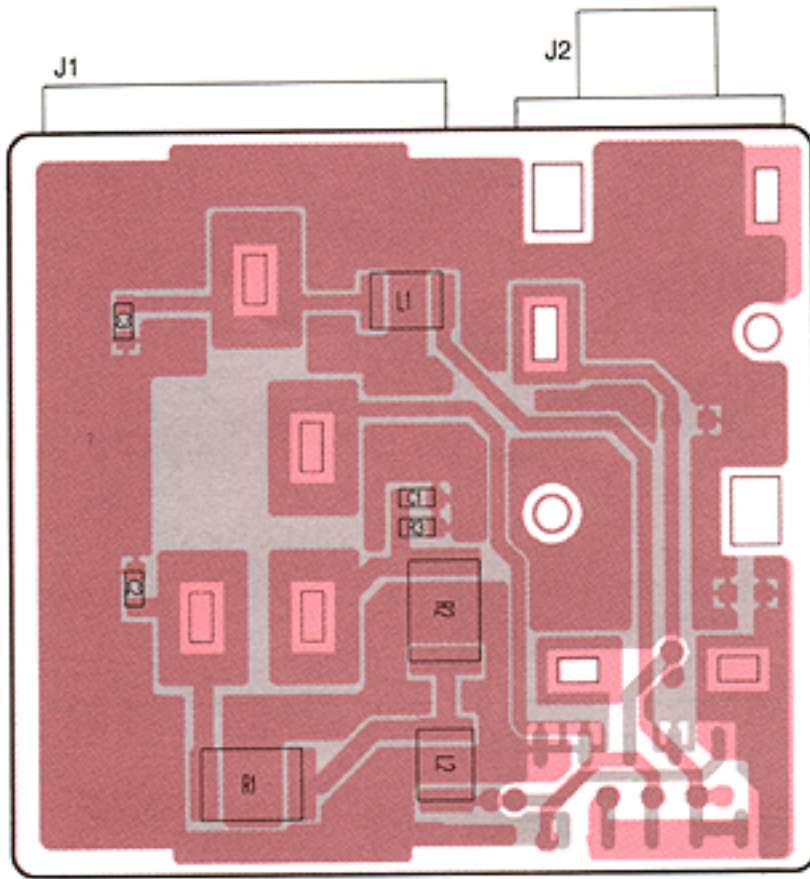
LOCK

● S-LOGIC BOARD (BOTTOM VIEW)

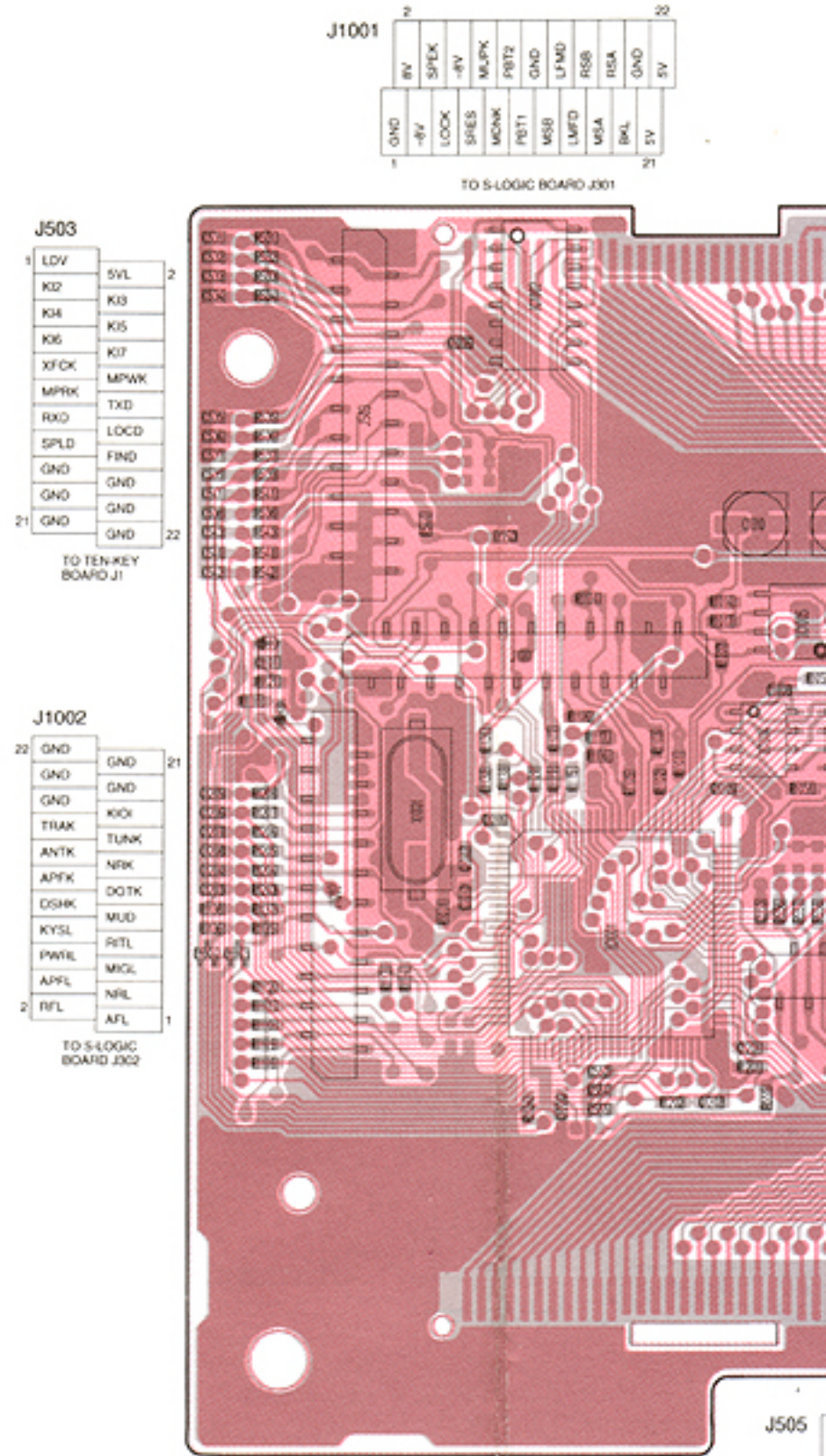




● PHONE BOARD (BOTTOM VIEW)

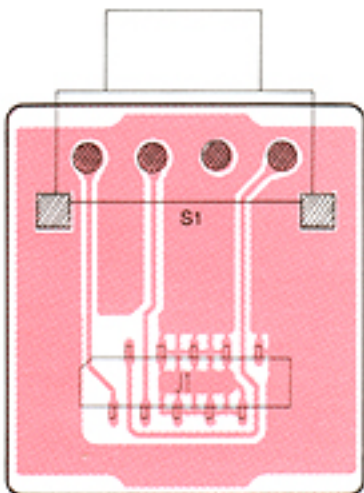


● DISPLAY BOARD (BOTTOM VIEW)

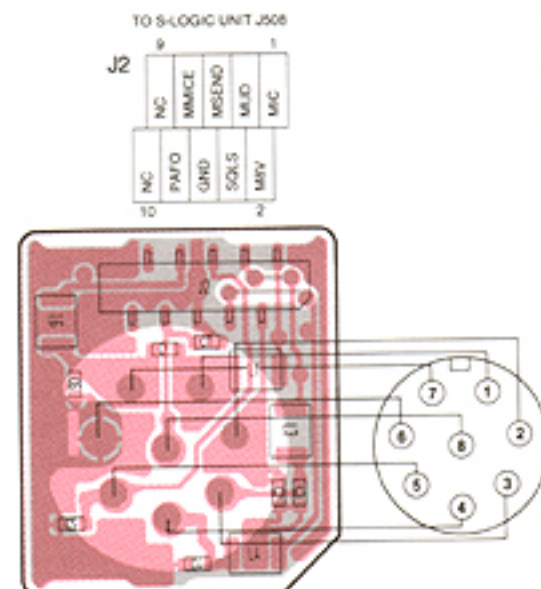


9-5 PBT, RIT AND MIC BOARDS

● RIT BOARD

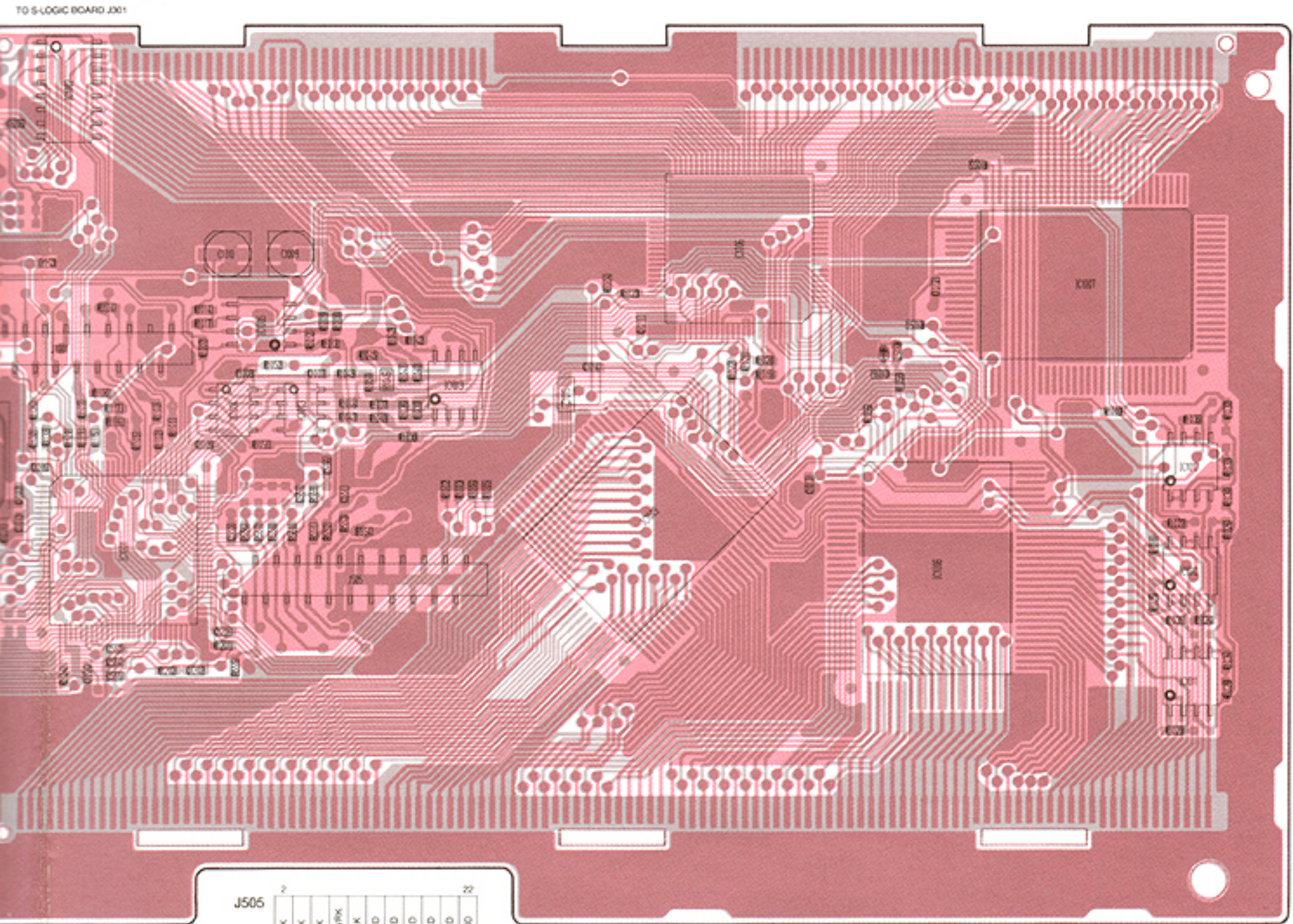


● MIC BOARD



M VIEW)

| | |
|------|------|
| LOCK | -4V |
| SHE5 | MURK |
| MONK | PBT2 |
| PBT1 | GND |
| MSB | LFMD |
| LMFO | FISB |
| MSA | RSA |
| BKL | GND |
| 5V | 5V |

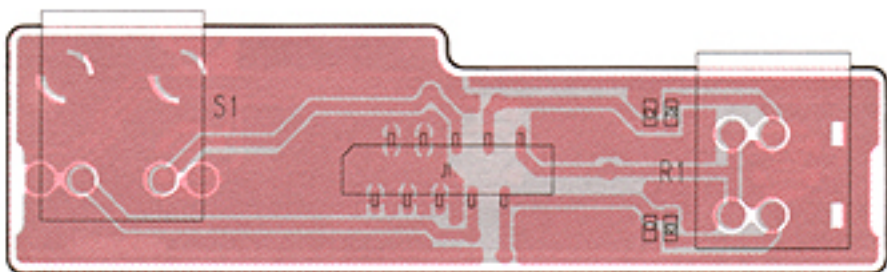


J505

| | | | | | | | | | | | | | | | | | | | | | |
|------|-----|-----|-----|------|-----|-----|-----|-----|-----|-----|-----|-----|-----|-----|-----|-----|-----|-----|-----|-----|-----|
| 1 | 2 | 3 | 4 | 5 | 6 | 7 | 8 | 9 | 10 | 11 | 12 | 13 | 14 | 15 | 16 | 17 | 18 | 19 | 20 | 21 | 22 |
| MPUR | FKC | FKK | FSK | CWRK | FLK | GND | GND | GND | GND | GND | GND | GND | GND | GND | GND | GND | GND | GND | GND | GND | GND |

TO MODE BOARD J1

● PBT BOARD



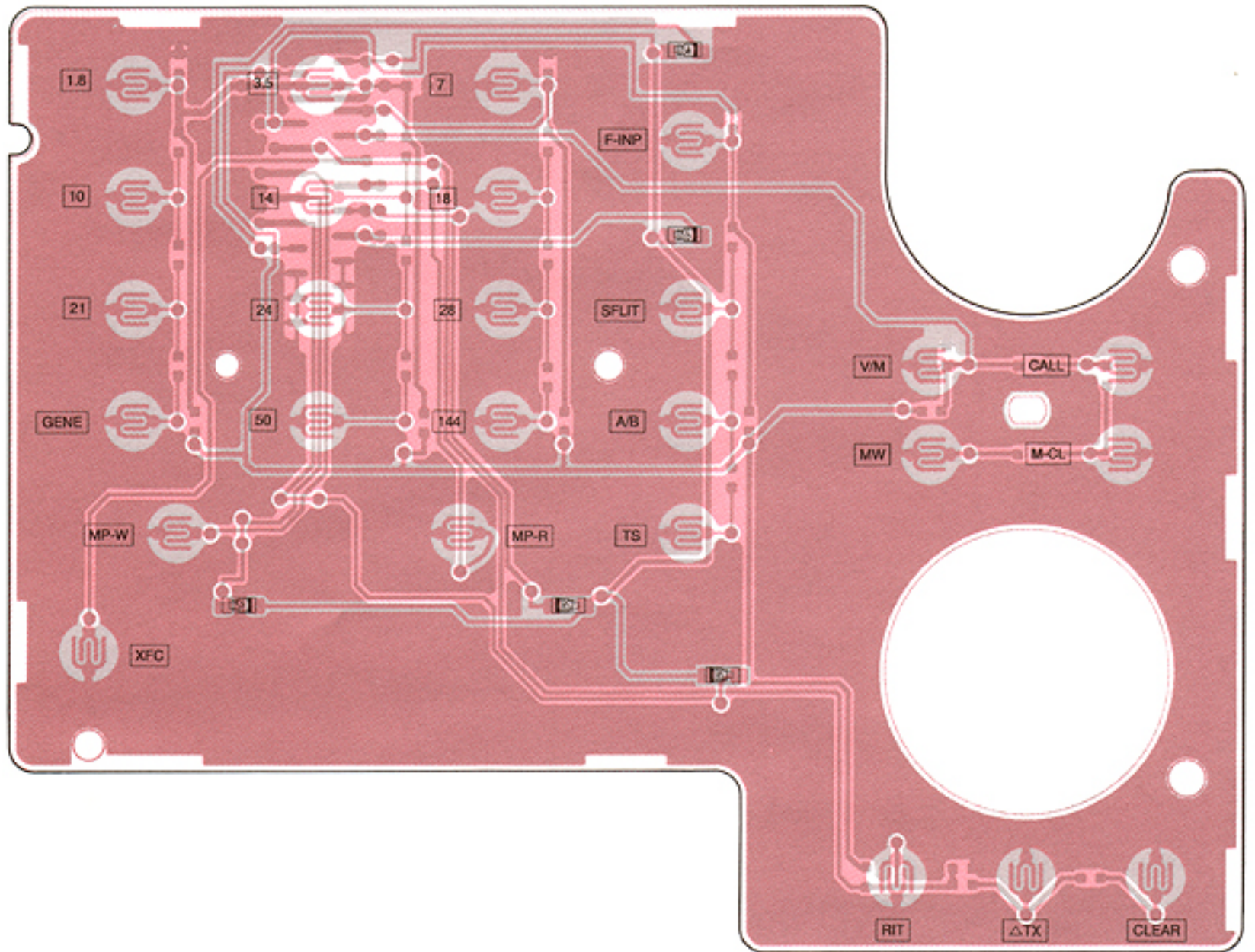
J1

| | | | | | | | | | |
|-----|-----|-----|------|------|----|---|---|---|----|
| 1 | 2 | 3 | 4 | 5 | 6 | 7 | 8 | 9 | 10 |
| GND | GND | GND | MONK | PBT2 | 5V | | | | |
| | | | MURK | PBT1 | | | | | |

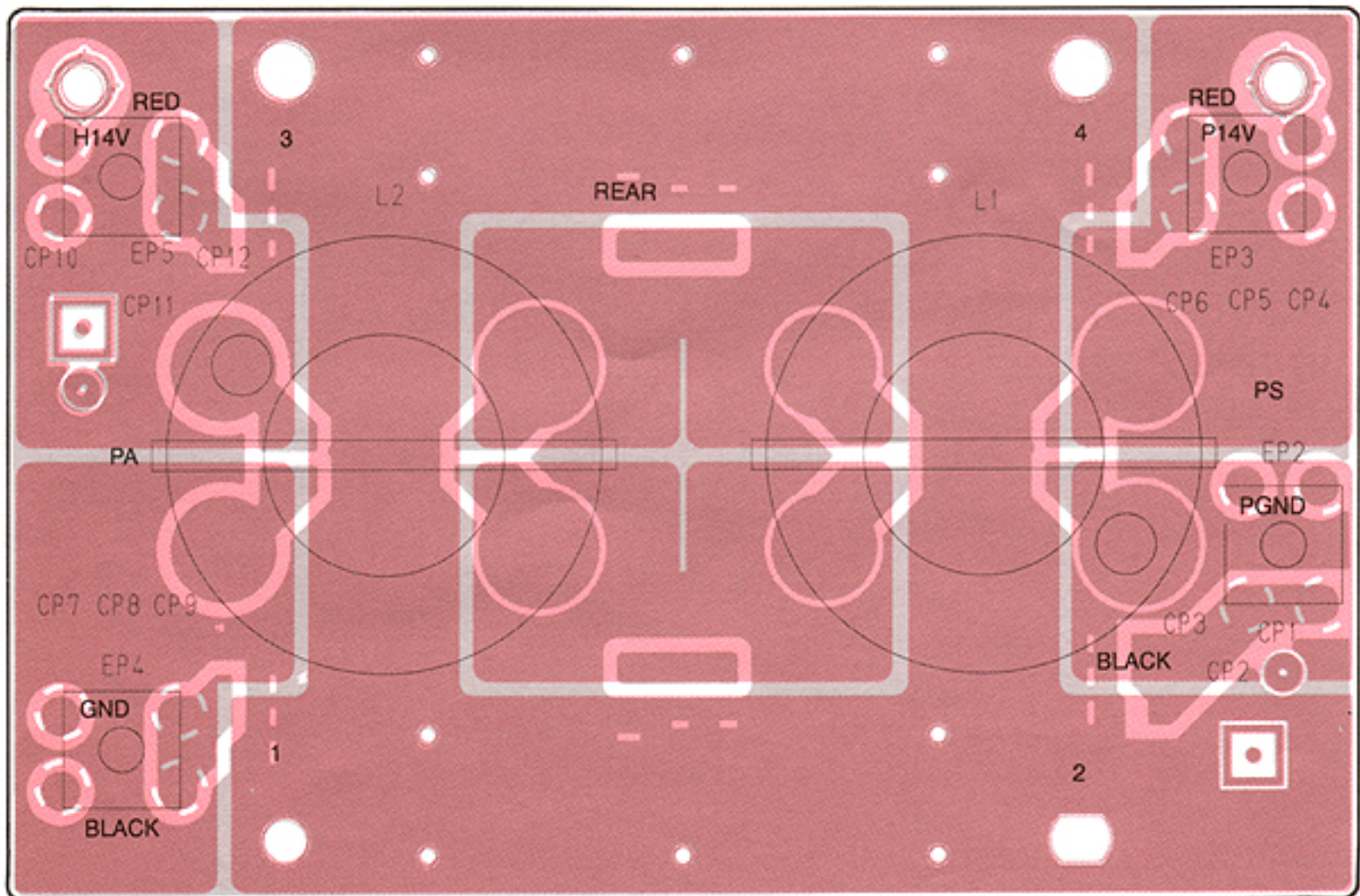
TO S-LOGIC UNIT J501

9-6 TENKEY AND FILTER BOARDS

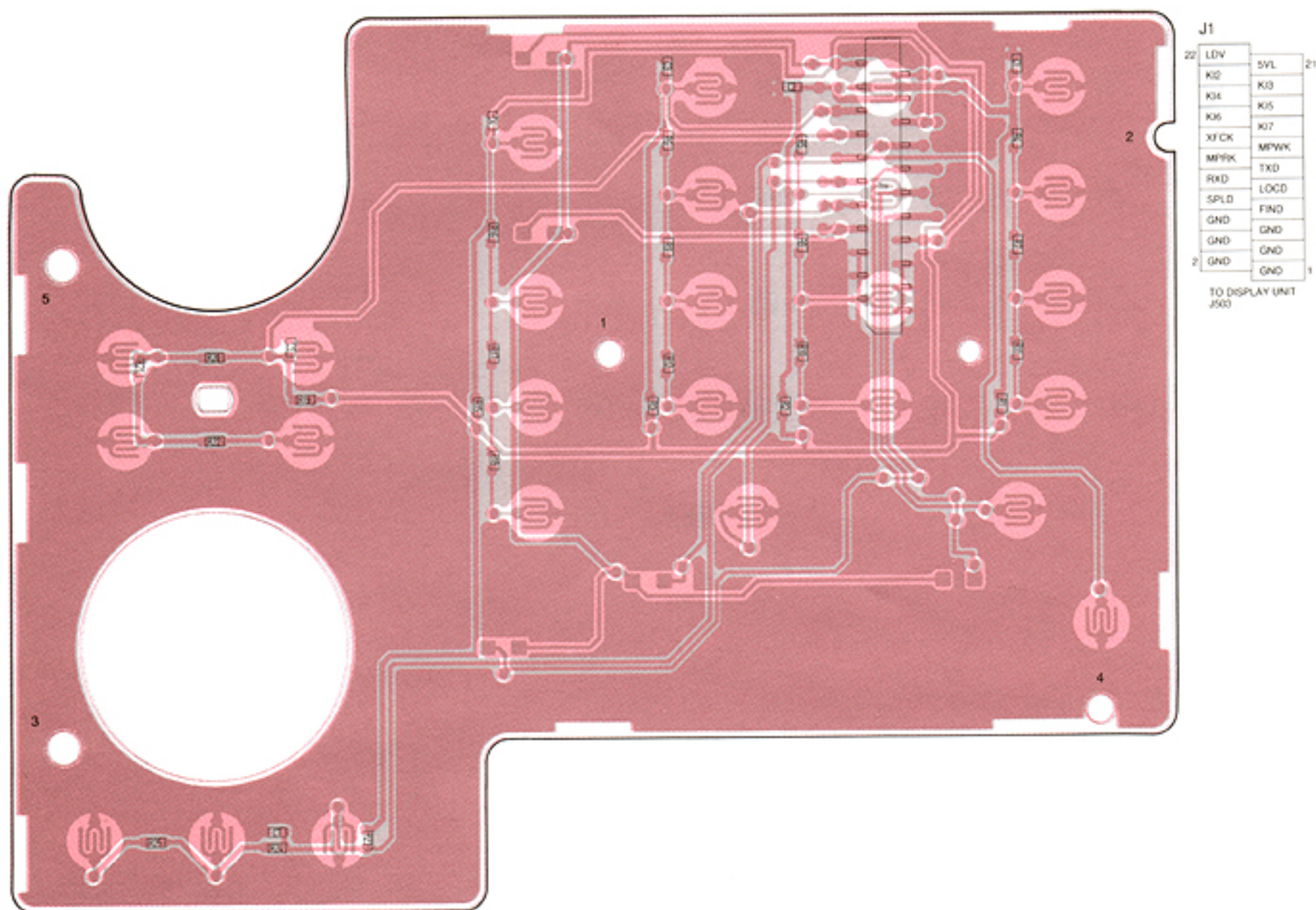
● TENKEY BOARD (TOP VIEW)



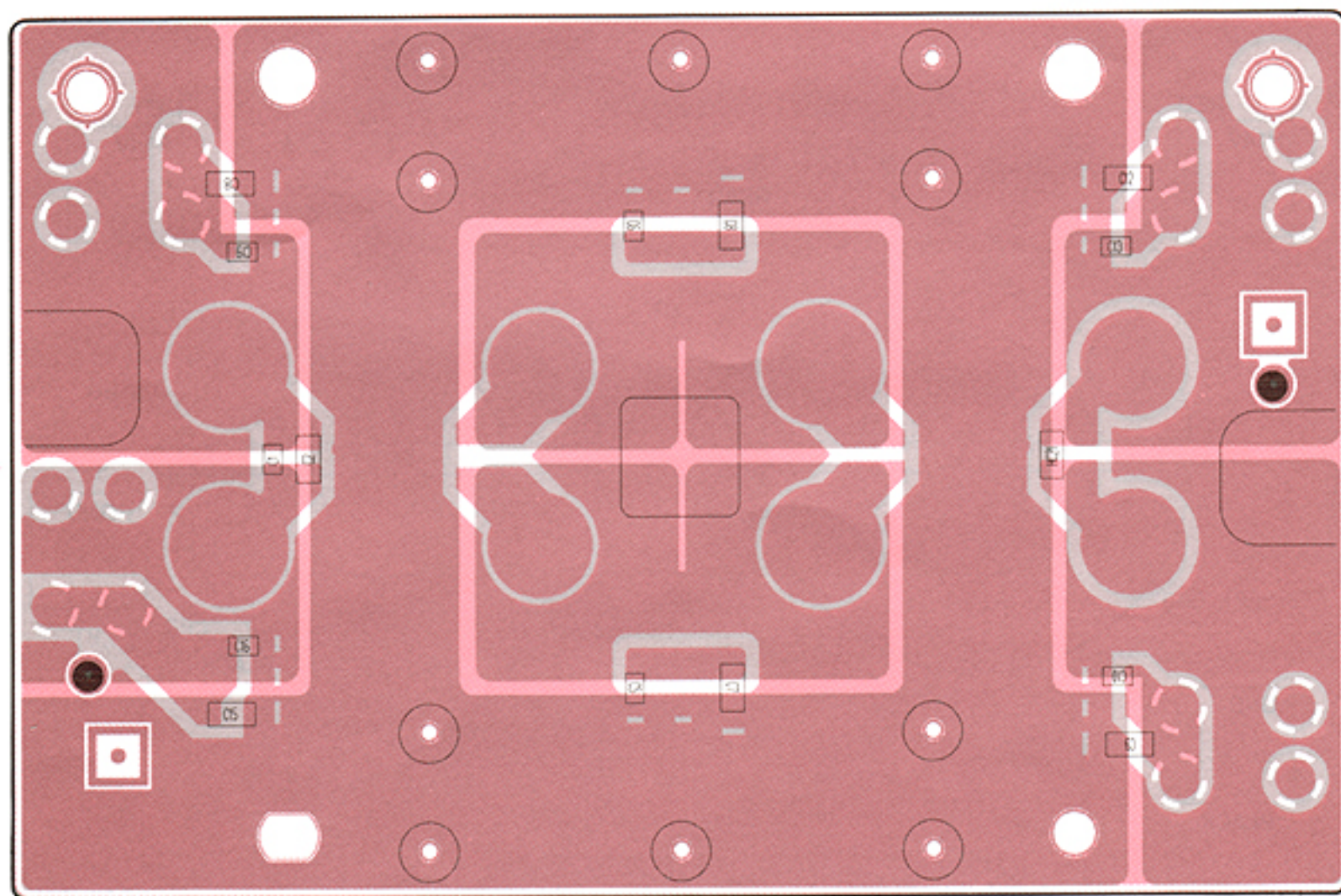
● FILTER BOARD (TOP VIEW)



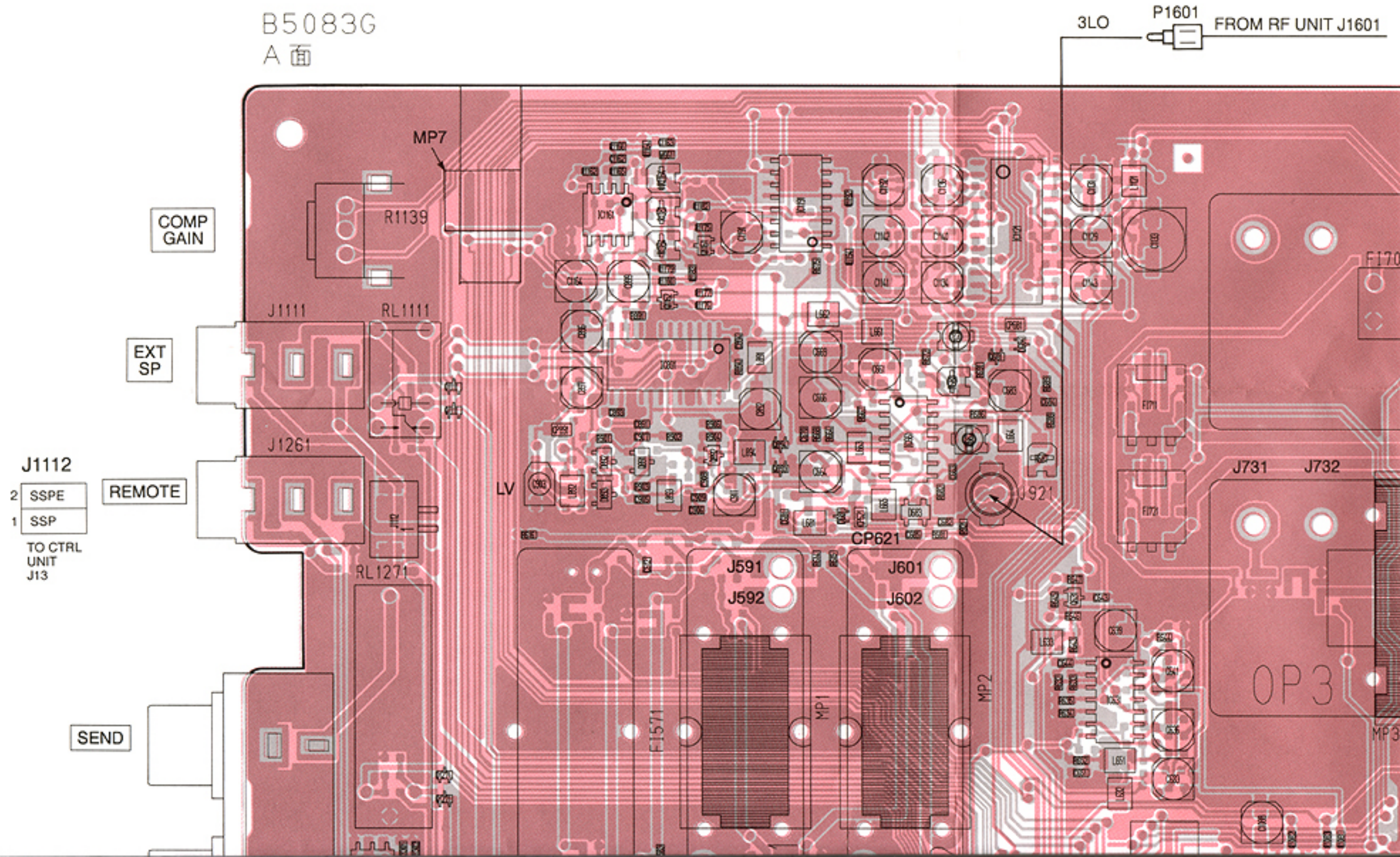
● TENKEY BOARD (BOTTOM VIEW)

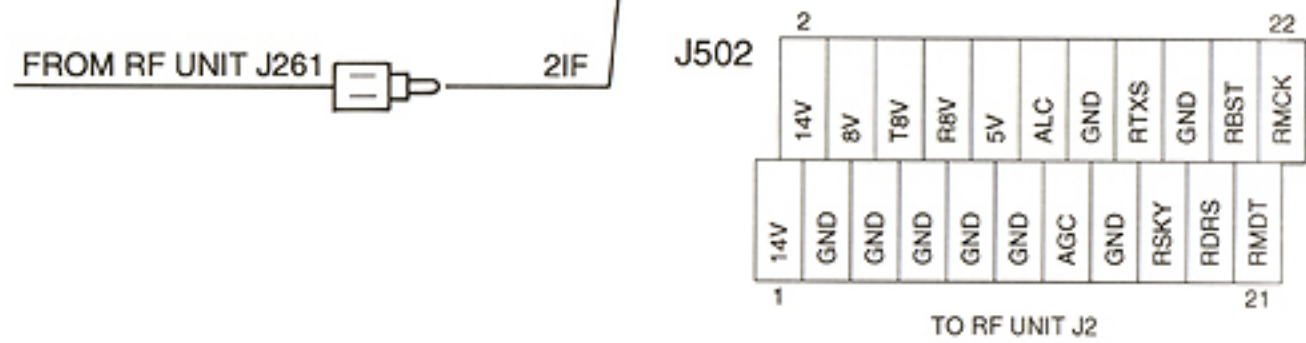
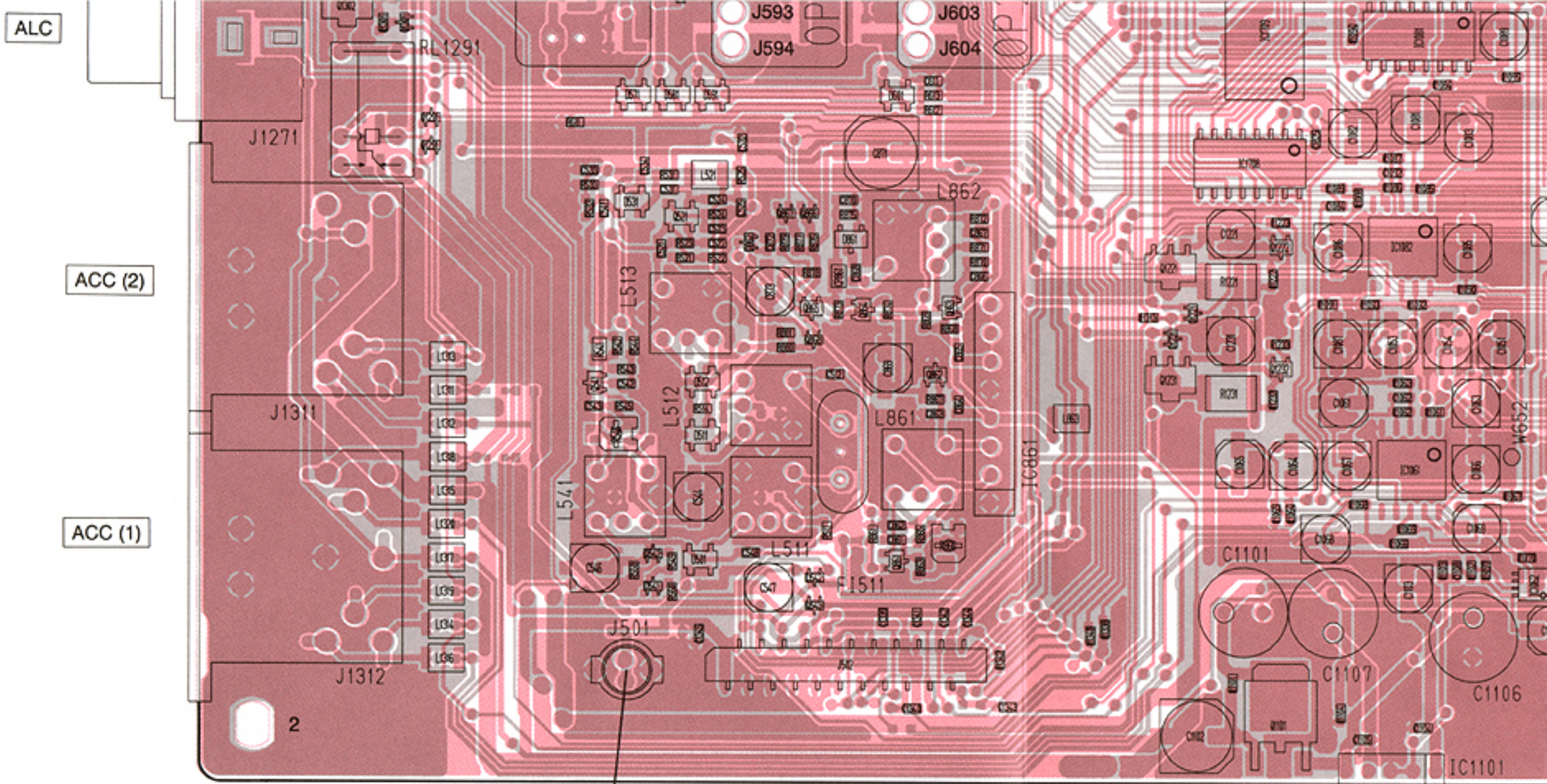


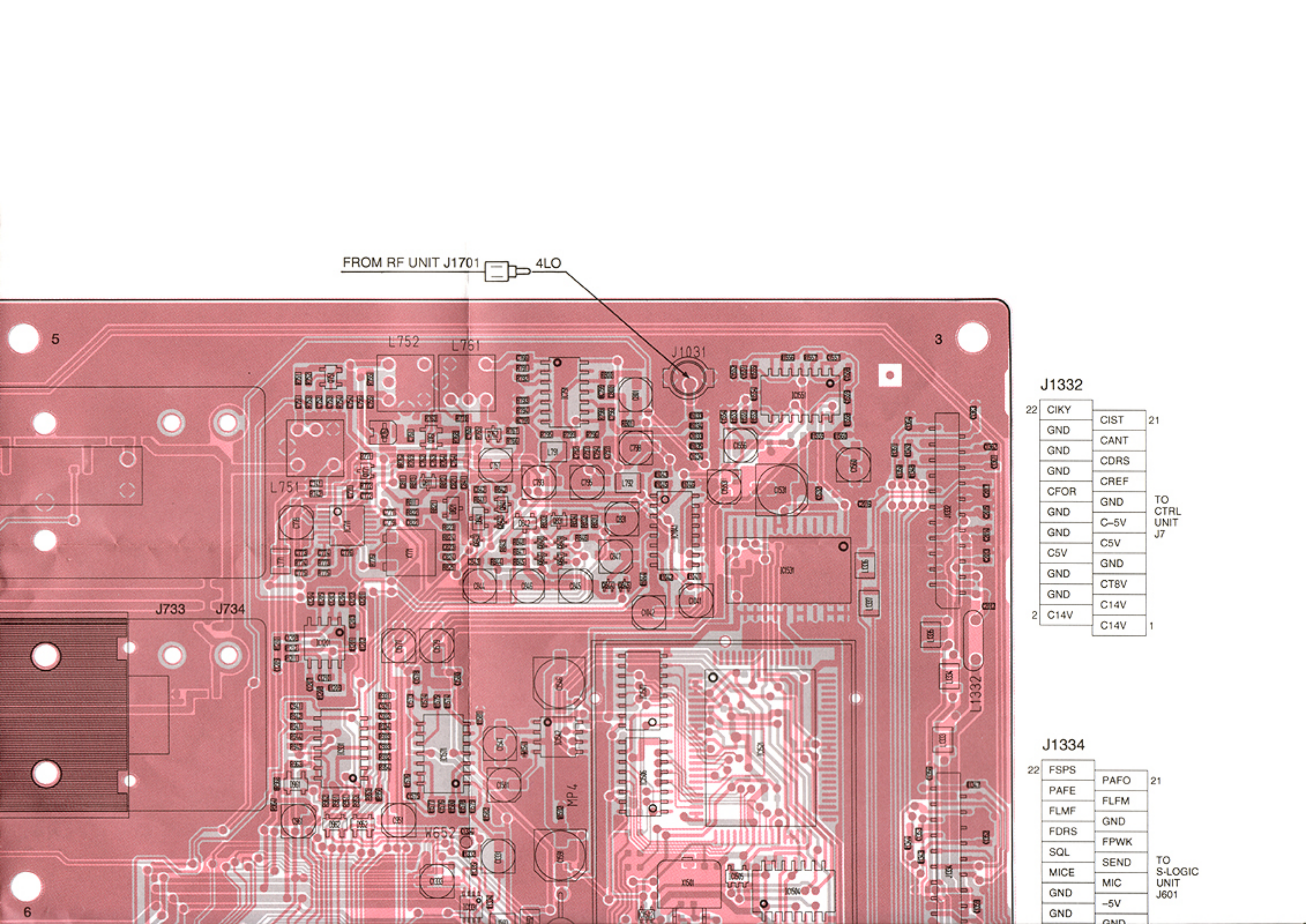
● FILTER BOARD (BOTTOM VIEW)



9-7 MAIN UNIT (TOP VIEW)







FROM RF UNIT J1701 4LO

J1332

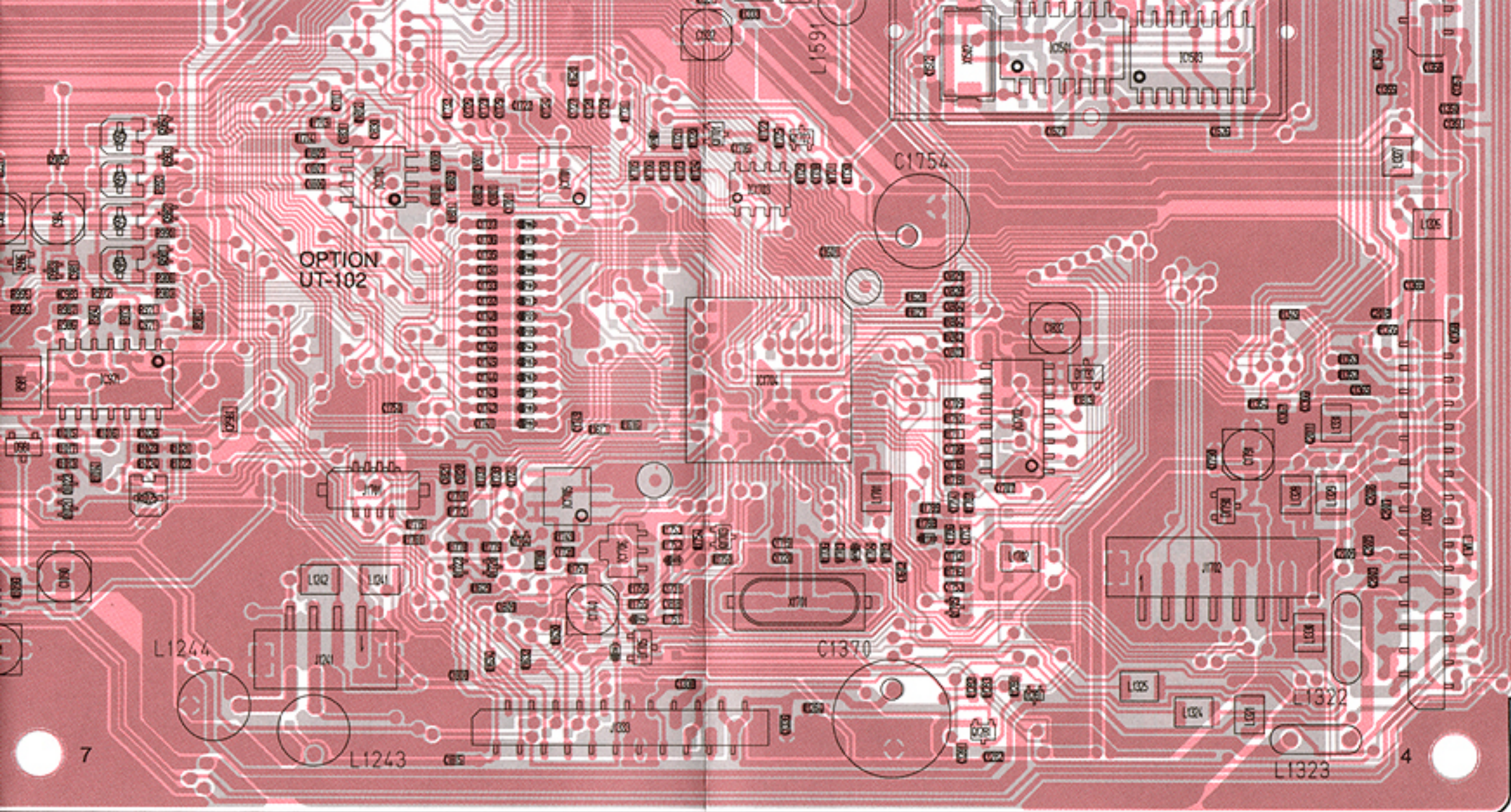
| | | | |
|----|------|------|----|
| 22 | CIKY | CIST | 21 |
| | GND | CANT | |
| | GND | CDRS | |
| | GND | CREF | |
| | CFOR | GND | |
| | GND | C-5V | |
| | GND | C5V | |
| | C5V | GND | |
| | GND | CT8V | |
| | GND | C14V | |
| 2 | C14V | C14V | 1 |

TO CTRL UNIT J7

J1334

| | | | |
|----|------|------|----|
| 22 | FSPS | PAFO | 21 |
| | PAFE | FLFM | |
| | FLMF | GND | |
| | FDRS | FPWK | |
| | SQL | SEND | |
| | MICE | MIC | |
| | GND | -5V | |
| | GND | GND | |

TO S-LOGIC UNIT J601



| | |
|-------|-----|
| 5V | 5V |
| GND | 8V |
| 2 GND | 14V |
| | 1 |

J1331

| | | | |
|----|------|------|----|
| 30 | PPNS | PDRS | 29 |
| | P4SB | PMDT | |
| | PMCK | P5V | |
| | P5V | PH5V | |
| | GND | P8V | |
| | P8V | GND | |
| | PT8V | GND | |
| | PVRF | PVFR | |
| | GND | PGND | |
| | PICL | PICH | |
| | P14A | P14A | |
| | P14V | P14V | |
| | P14V | P14V | |
| | P14V | P14V | |
| | P14V | P14V | |
| 2 | P14V | PHV | 1 |

TO PA UNIT J2

J1241

| | | |
|---|------|---|
| 4 | GND | 1 |
| | E14V | |
| | ESY | |
| | EKY | |

TO EXTUNER
41

J1701

| | | |
|--|------|--|
| | SPCH | |
| | SPCE | |
| | ICK | |
| | GND | |
| | SPST | |

J1333

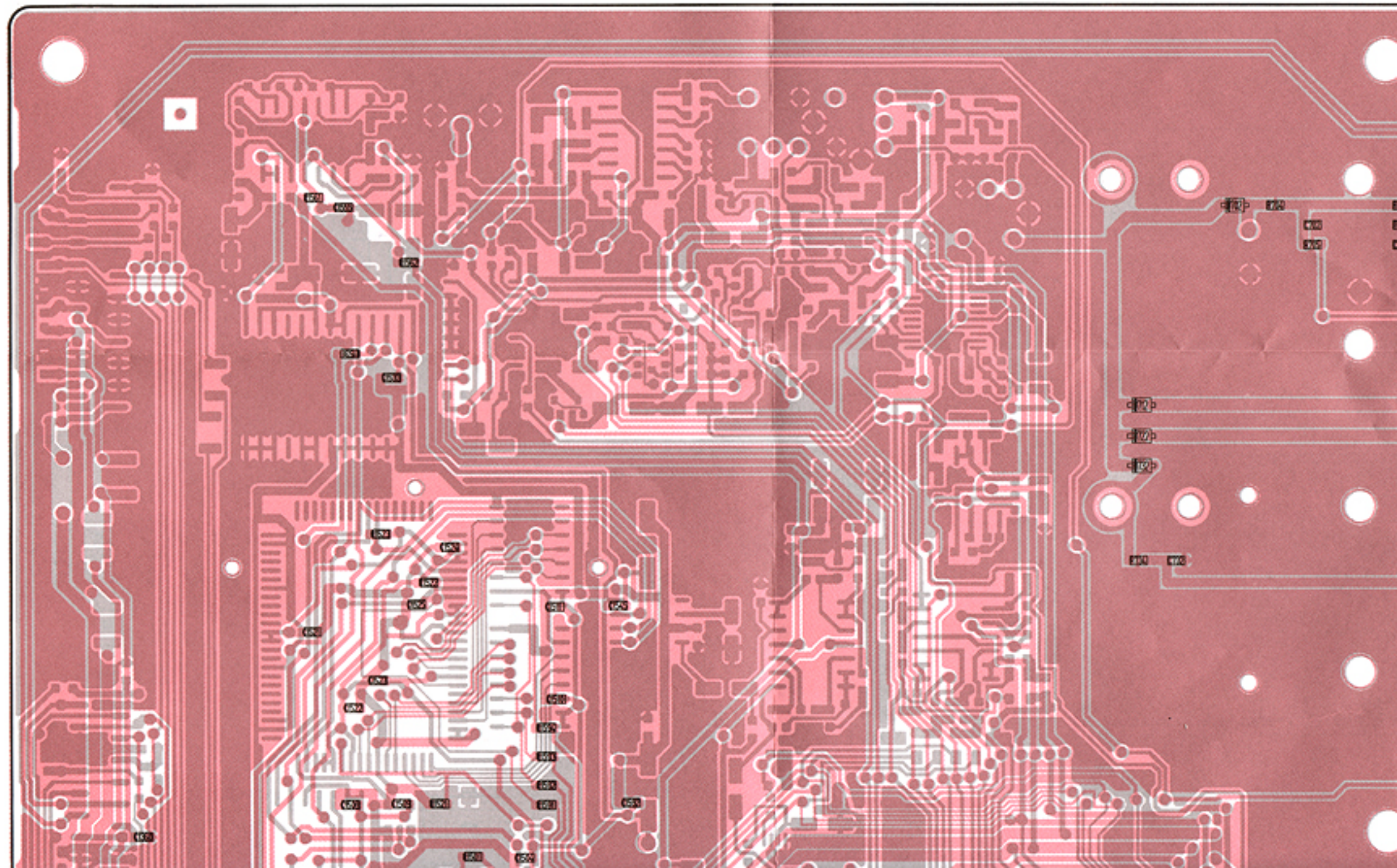
| | | |
|---|------|----|
| 2 | PCK | 22 |
| | PST5 | |
| | PST3 | |
| | PST1 | |
| | FSKK | |
| | GND | |
| | 5V | |
| | GND | |
| | 8V | |
| | 14V | |
| | 14V | |
| 1 | CON2 | 21 |
| | PDAT | |
| | PST4 | |
| | PST2 | |
| | LDRS | |
| | UNLC | |
| | GND | |
| | 5V | |
| | 8V | |
| | GND | |
| | 14V | |

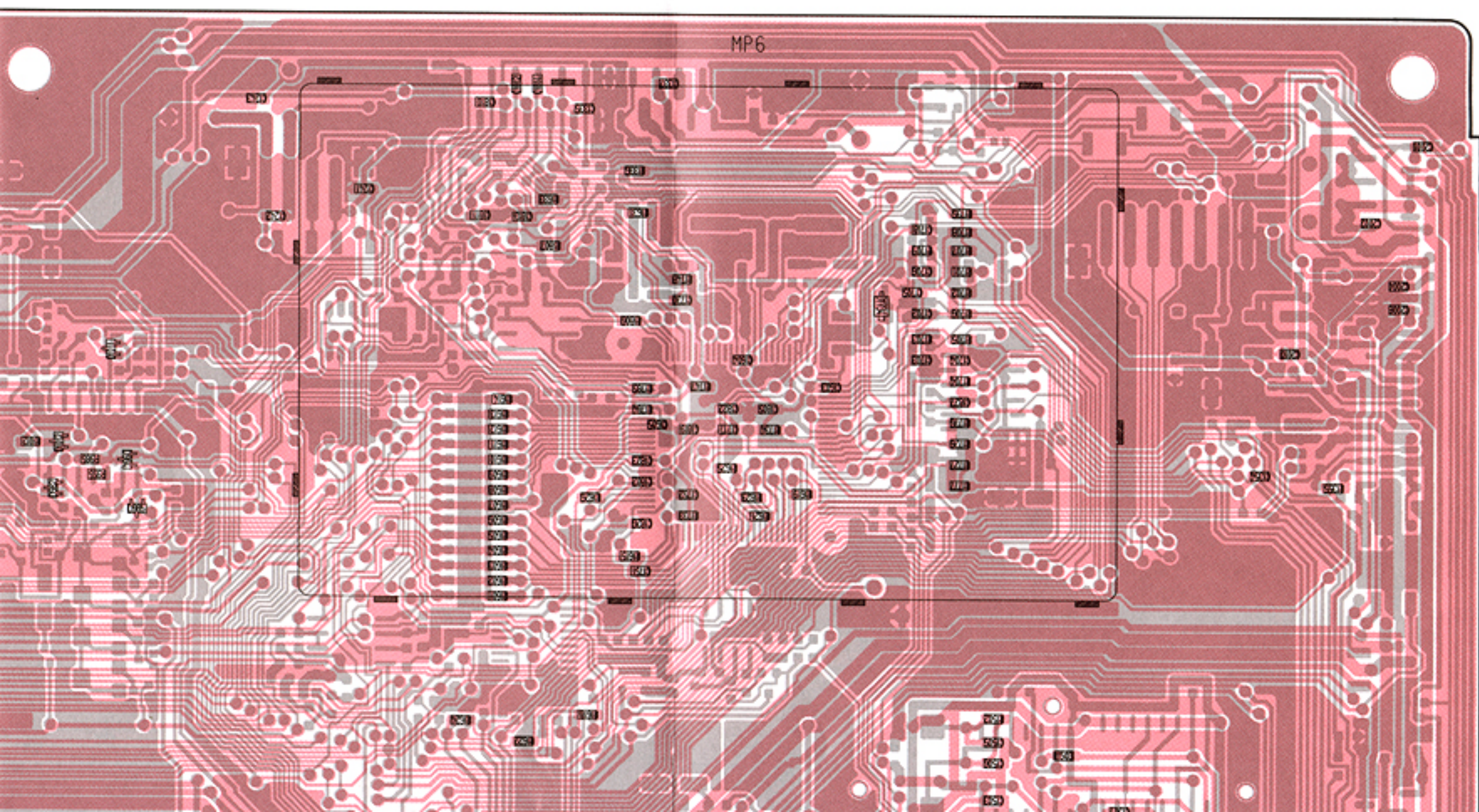
TO RF UNIT J1001

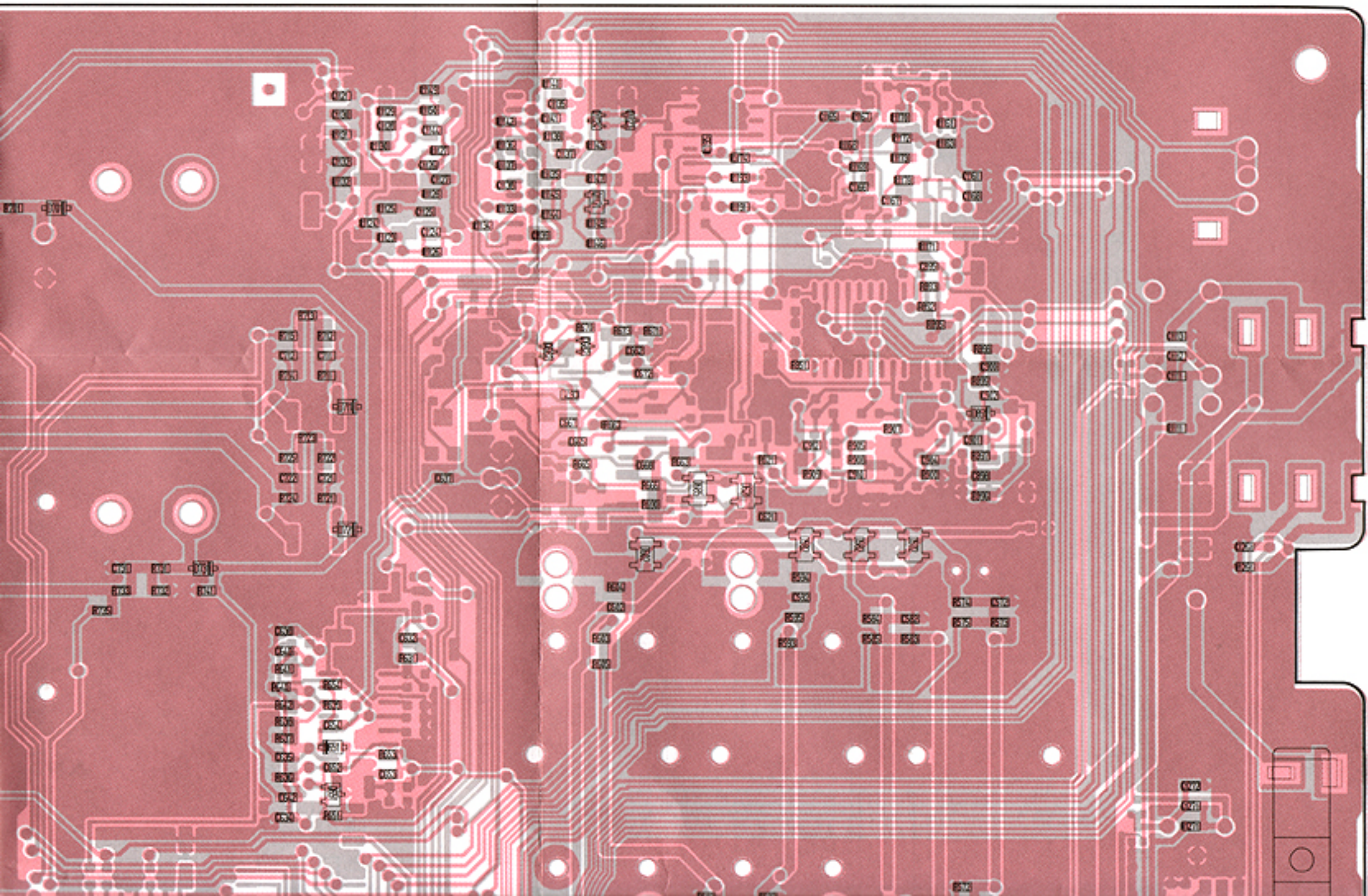
J1702

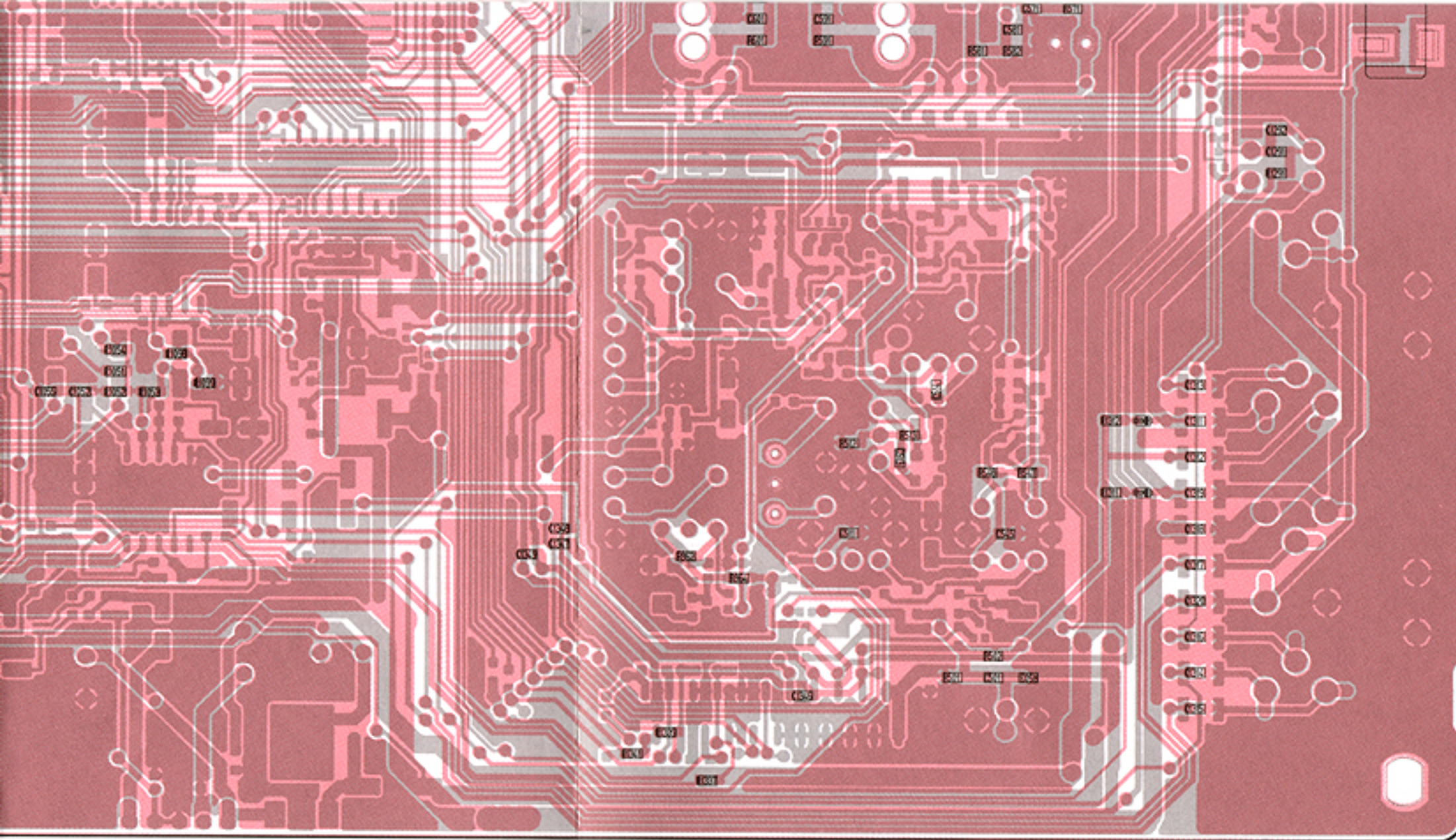
| | | |
|---|------|---|
| 1 | FZVP | 7 |
| | FZMD | |
| | FZRS | |
| | FZTX | |
| | FZRX | |
| | FZTE | |
| | Z5V | |

● MAIN UNIT (BOTTOM VIEW)







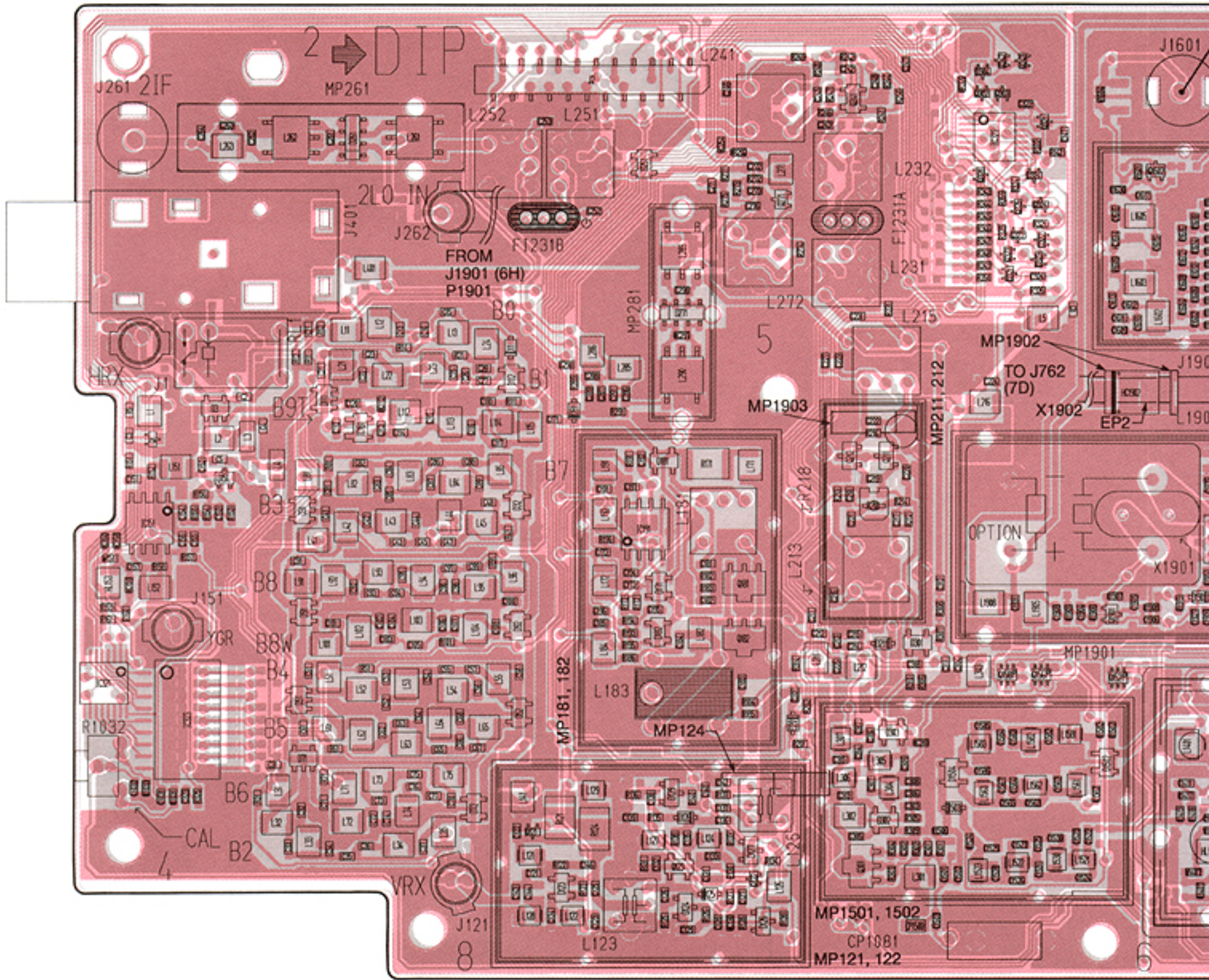


83

9-8 RF UNIT (TOP VIEW)

TO MAIN UNIT J502

| | | | | | | | | | | | | |
|----|-----|-----|-----|-----|-----|-----|-----|------|------|------|------|---|
| 21 | 14V | 8V | T8V | R8V | 5V | ALC | GND | RTXS | GND | RBST | RMCK | 1 |
| 22 | 14V | GND | GND | GND | GND | AGC | GND | RSKY | RDRS | RMTD | | 2 |



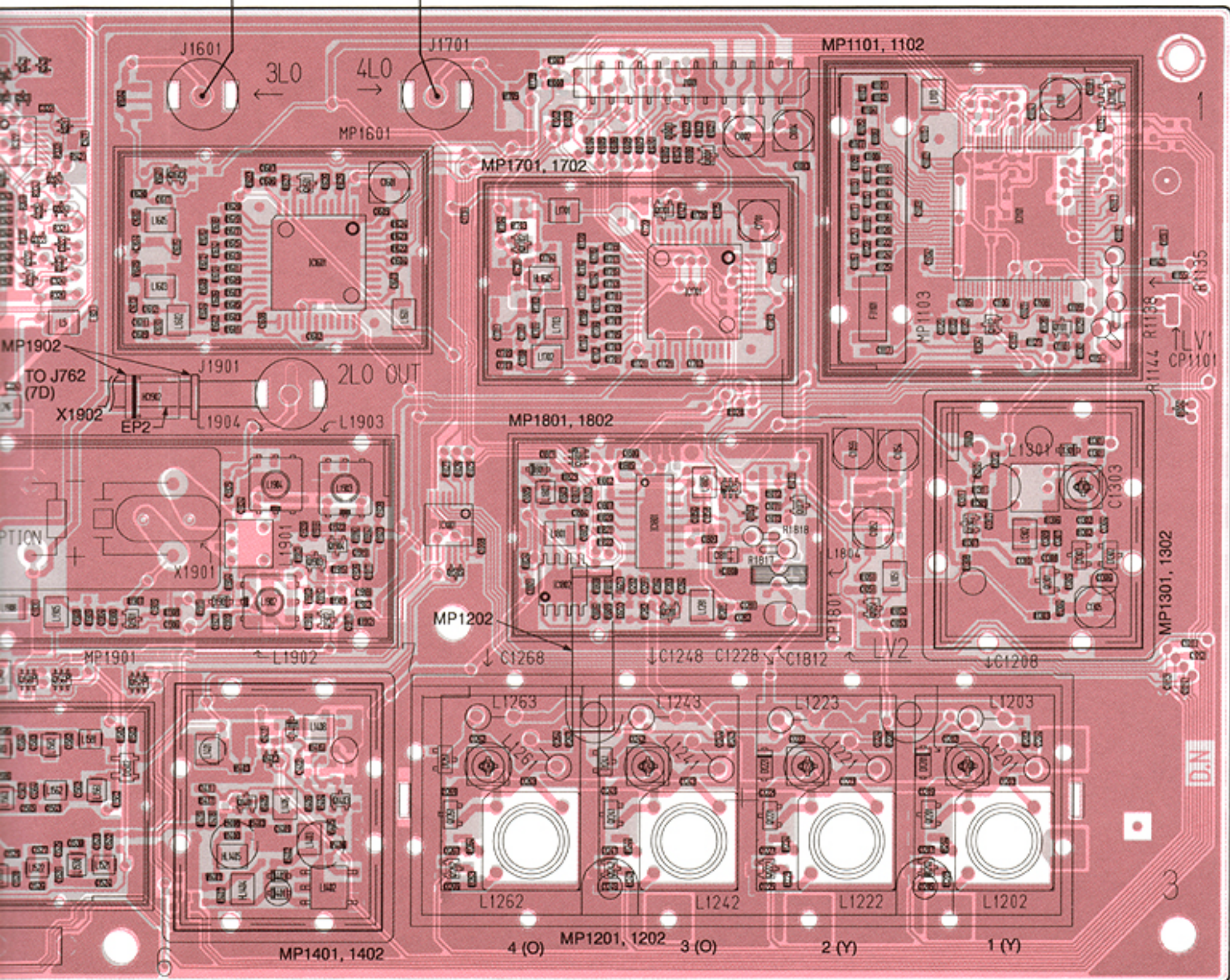
Note: ● is soldering portion.

TO MAIN UNIT J921
P1601

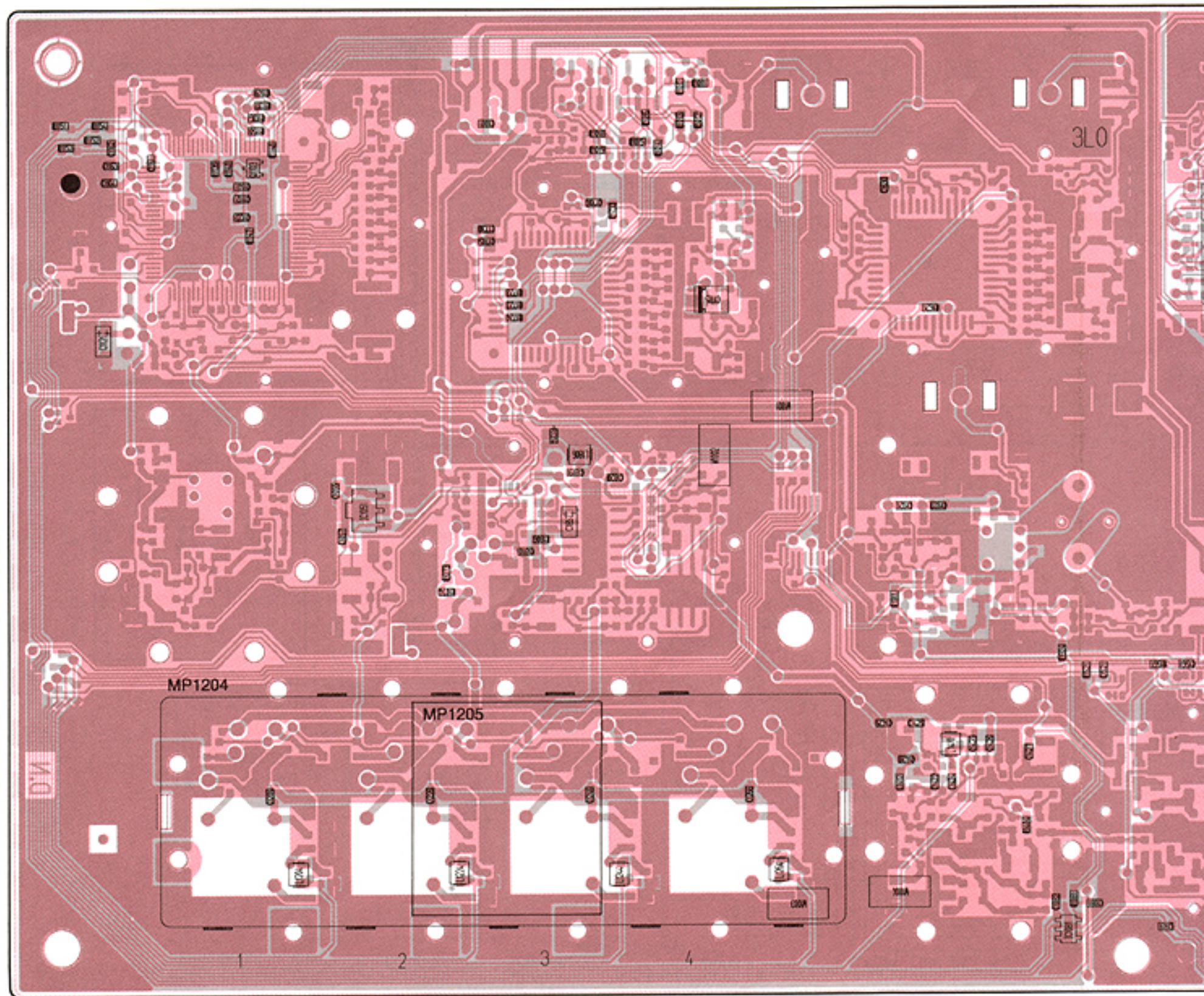
TO MAIN UNIT J1031
P1701

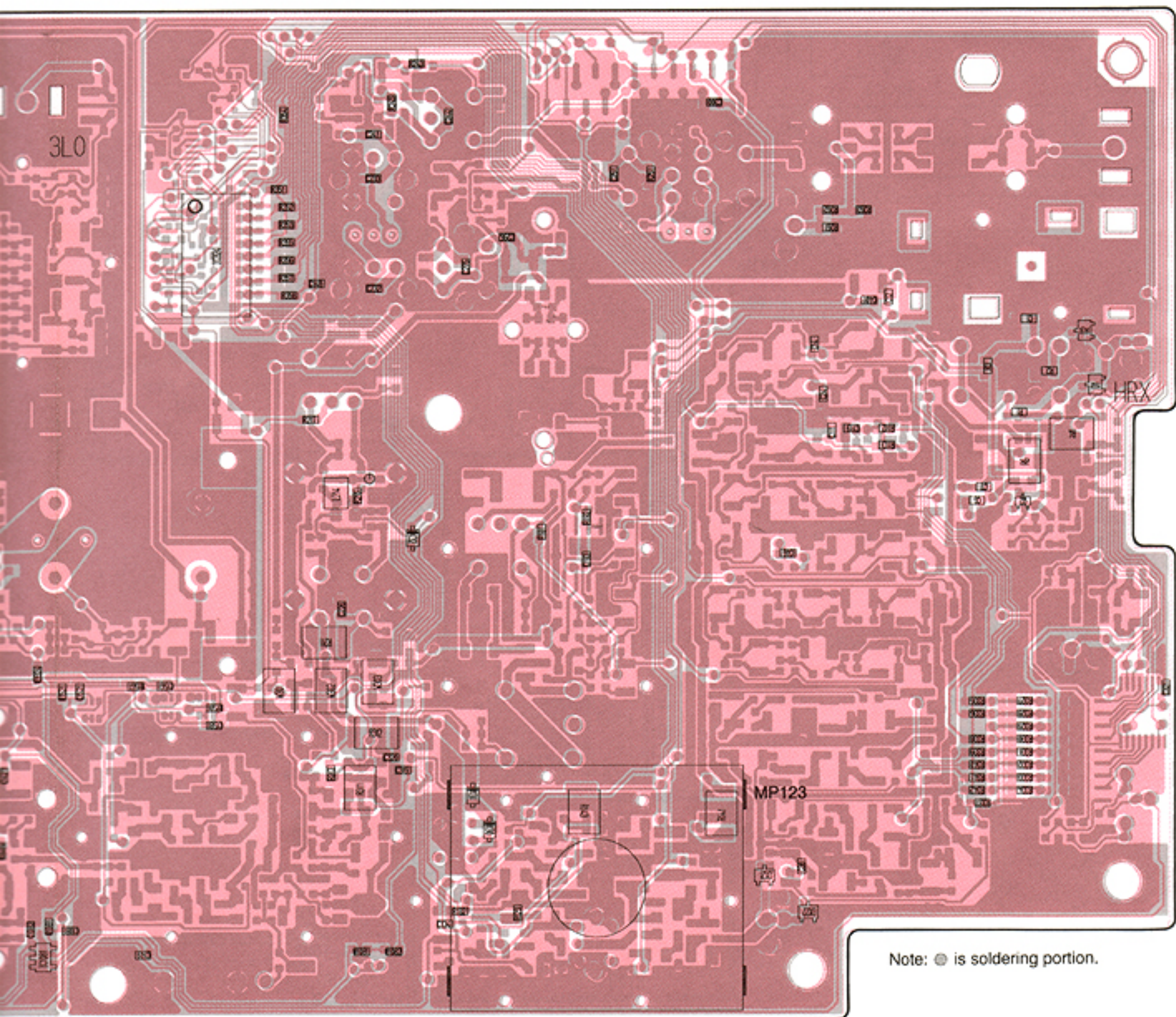
TO MAIN UNIT J1333

| | | |
|----|------|---|
| 21 | PCK | 1 |
| | PST5 | |
| | PST3 | |
| | PST1 | |
| | FSKK | |
| | GND | |
| | 5V | |
| | GND | |
| | 8V | |
| | 14V | |
| | 14V | |
| 2 | CON2 | 2 |
| | PDAT | |
| | PST4 | |
| | PST2 | |
| | LDRS | |
| | UNLC | |
| | GND | |
| | 5V | |
| | 8V | |
| | GND | |
| | 14V | |

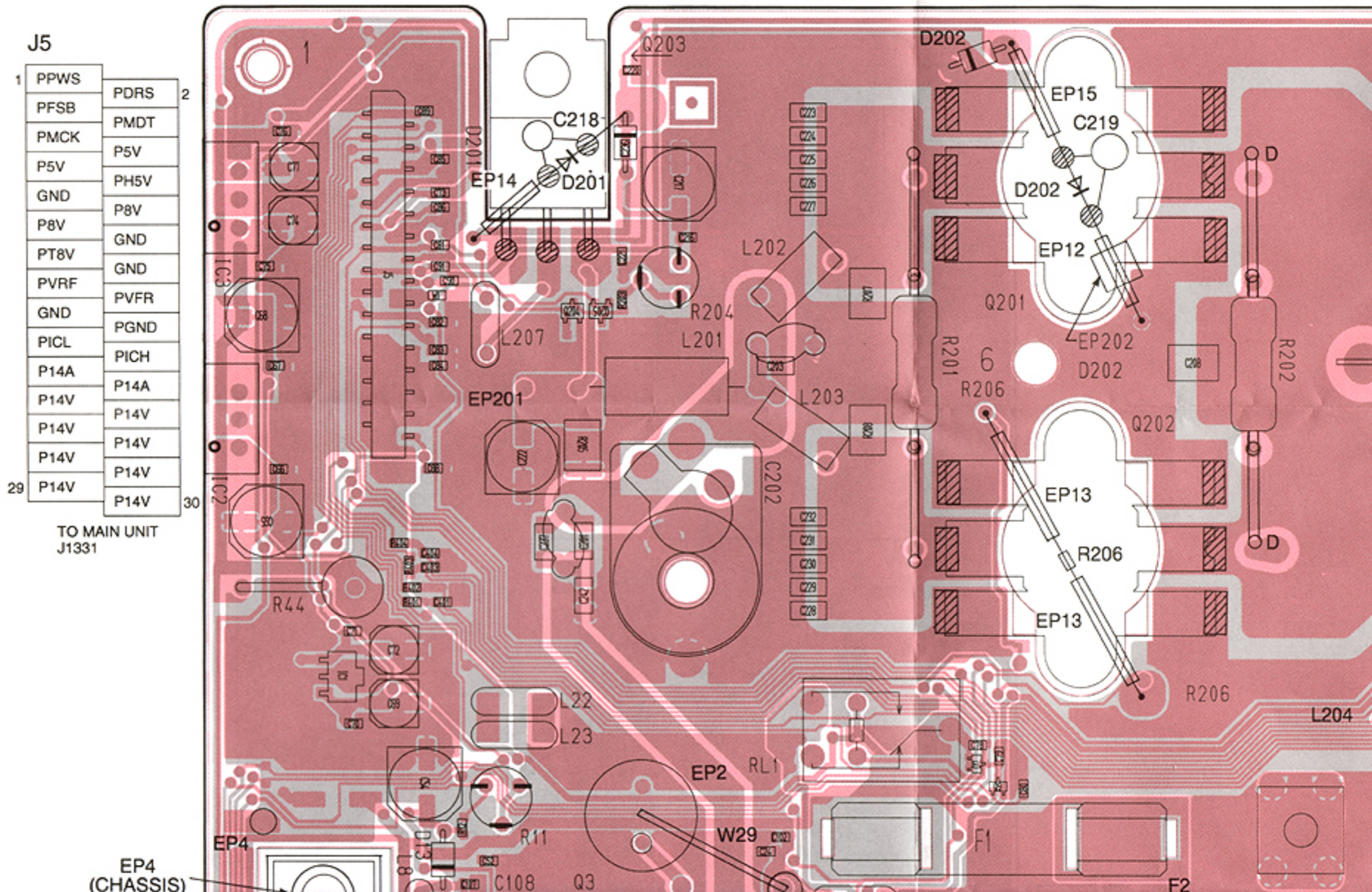


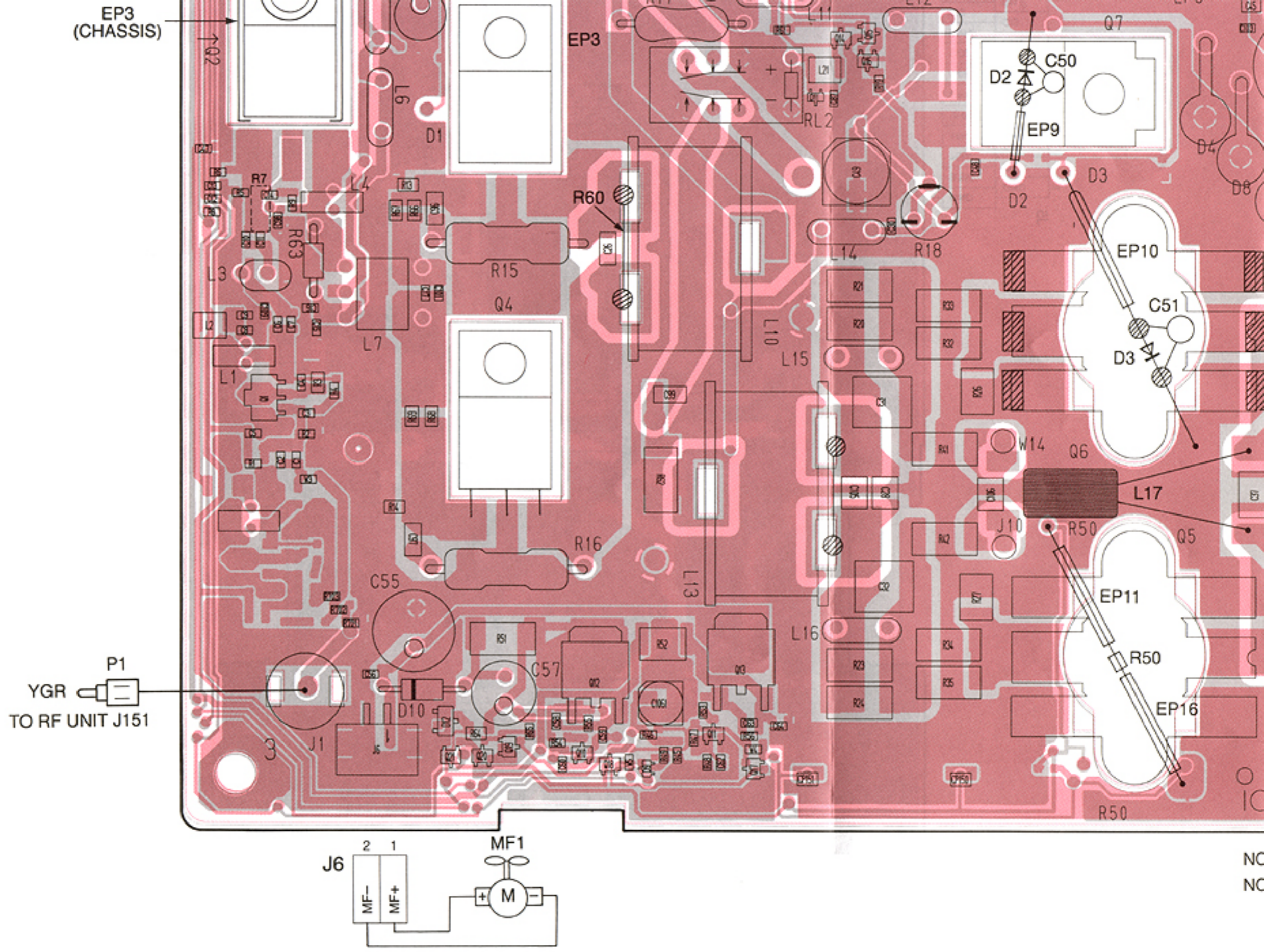
● RF UNIT (BOTTOM VIEW)

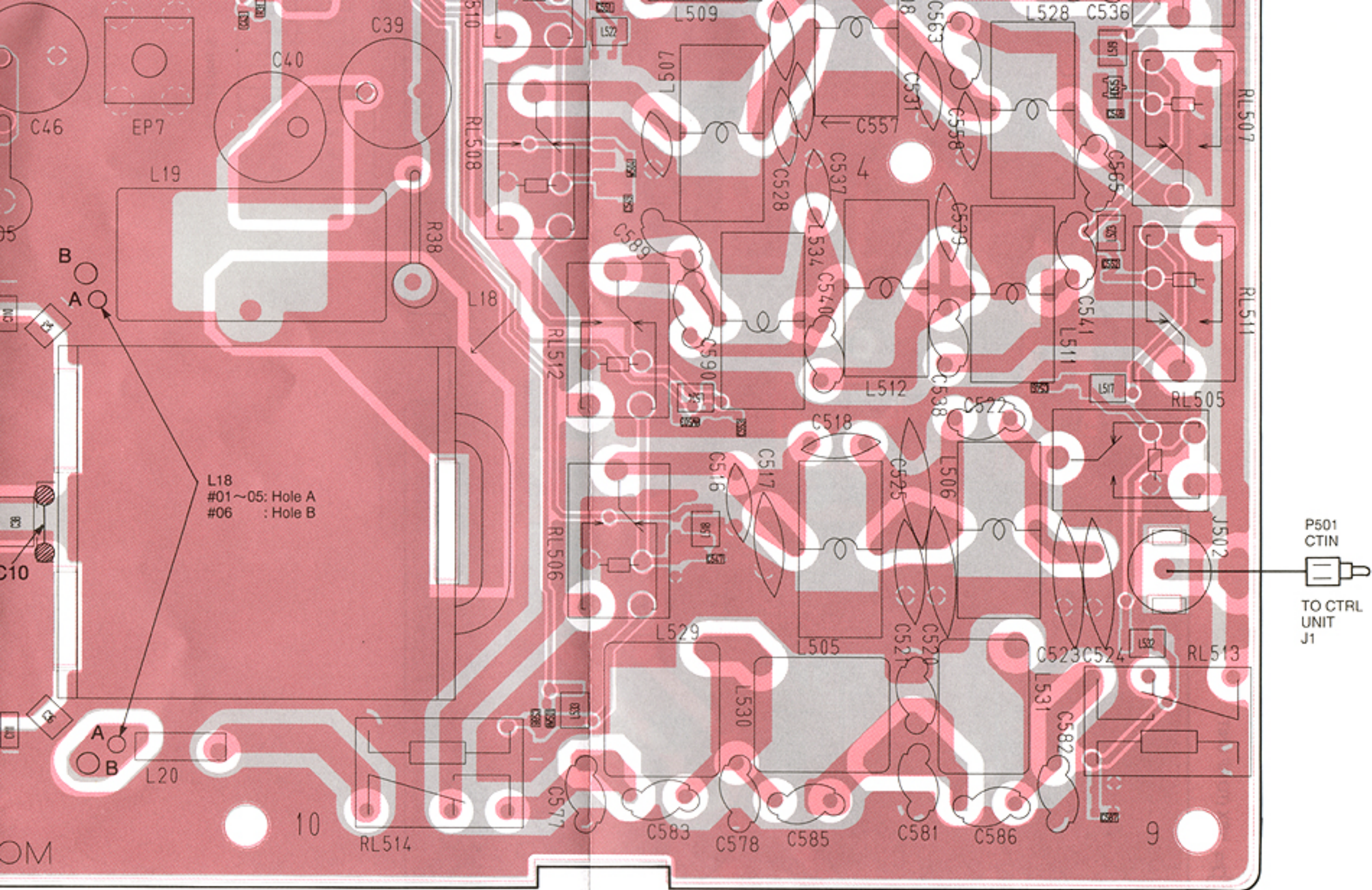




9-9 PA UNIT (TOP VIEW)





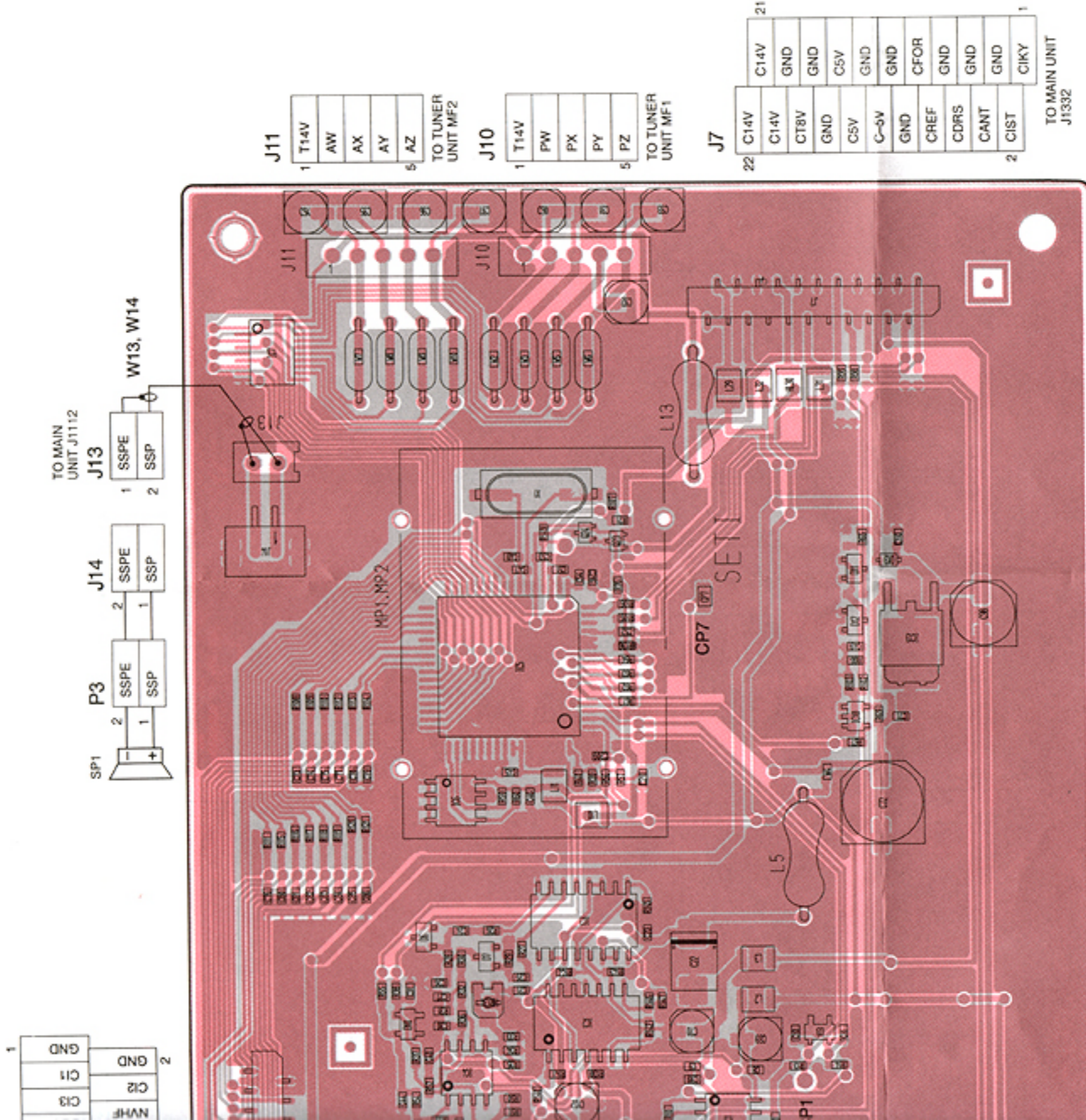


E: ● is soldering portion.

E: R7 AND R619 ARE BOTTOM SIDE PARTS.

9-10 CTRL AND TUNER UNITS

● CTRL UNIT



| | |
|---|------|
| 1 | GND |
| | C1 |
| | C2 |
| | C3 |
| | NVHF |
| 2 | GND |

| | | |
|-----|---|------|
| J11 | 1 | T14V |
| | | AW |
| | | AX |
| | | AY |
| | | AZ |
| | 5 | |

TO TUNER UNIT MF2

| | | |
|-----|---|------|
| J10 | 1 | T14V |
| | | PW |
| | | PX |
| | | PY |
| | | PZ |
| | 5 | |

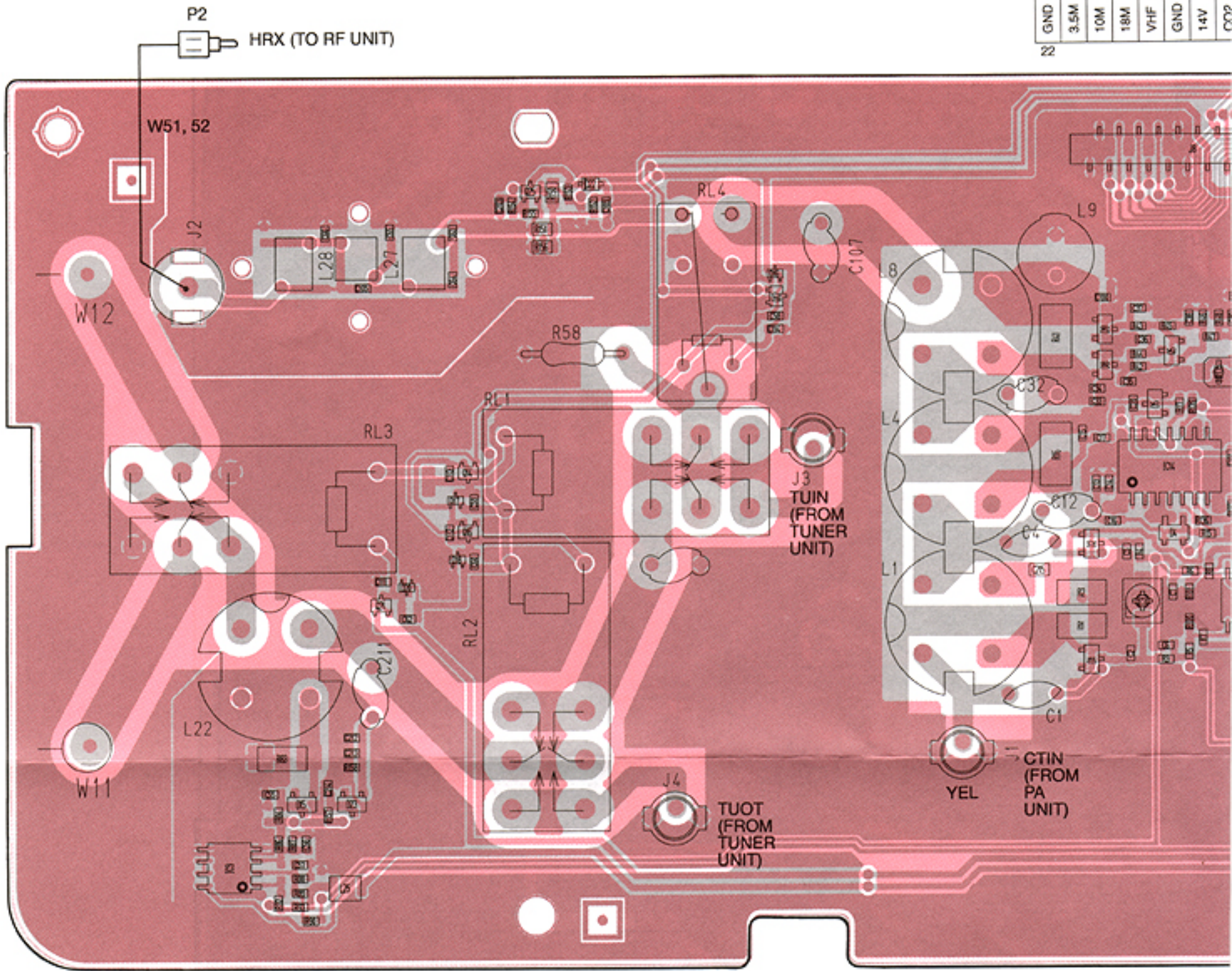
TO TUNER UNIT MF1

| | | | |
|----|----|------|----|
| J7 | 22 | C14V | 21 |
| | | GND | |
| | | GND | |
| | | CT8V | |
| | | GND | |
| | | C5V | |
| | | GND | |
| | | C-5V | |
| | | GND | |
| | | CFOR | |
| | | GND | |
| | | CDRS | |
| | | CANT | |
| | | GND | |
| | | CIST | |
| | 2 | | 1 |
| | | CIKY | |

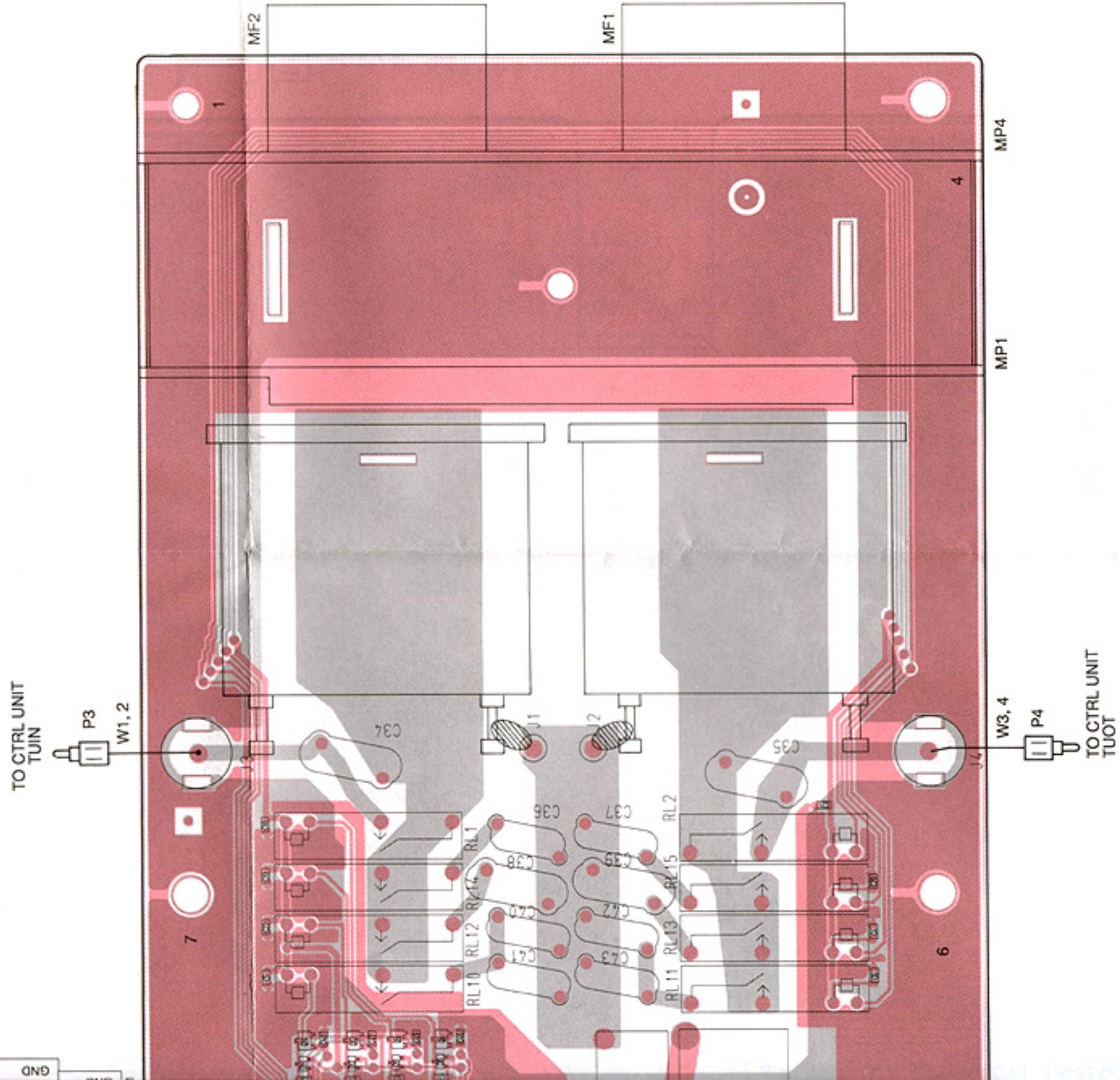
TO MAIN UNIT J1332

TO TUNER UNIT J8

| | | | | | | | |
|----|-----|------|-----|-----|-----|-----|-----|
| 21 | GND | 7M | 14M | 24M | GND | 14V | CO3 |
| 22 | GND | 3.5M | 10M | 18M | VHF | GND | 14V |
| | | | | | | | CO2 |



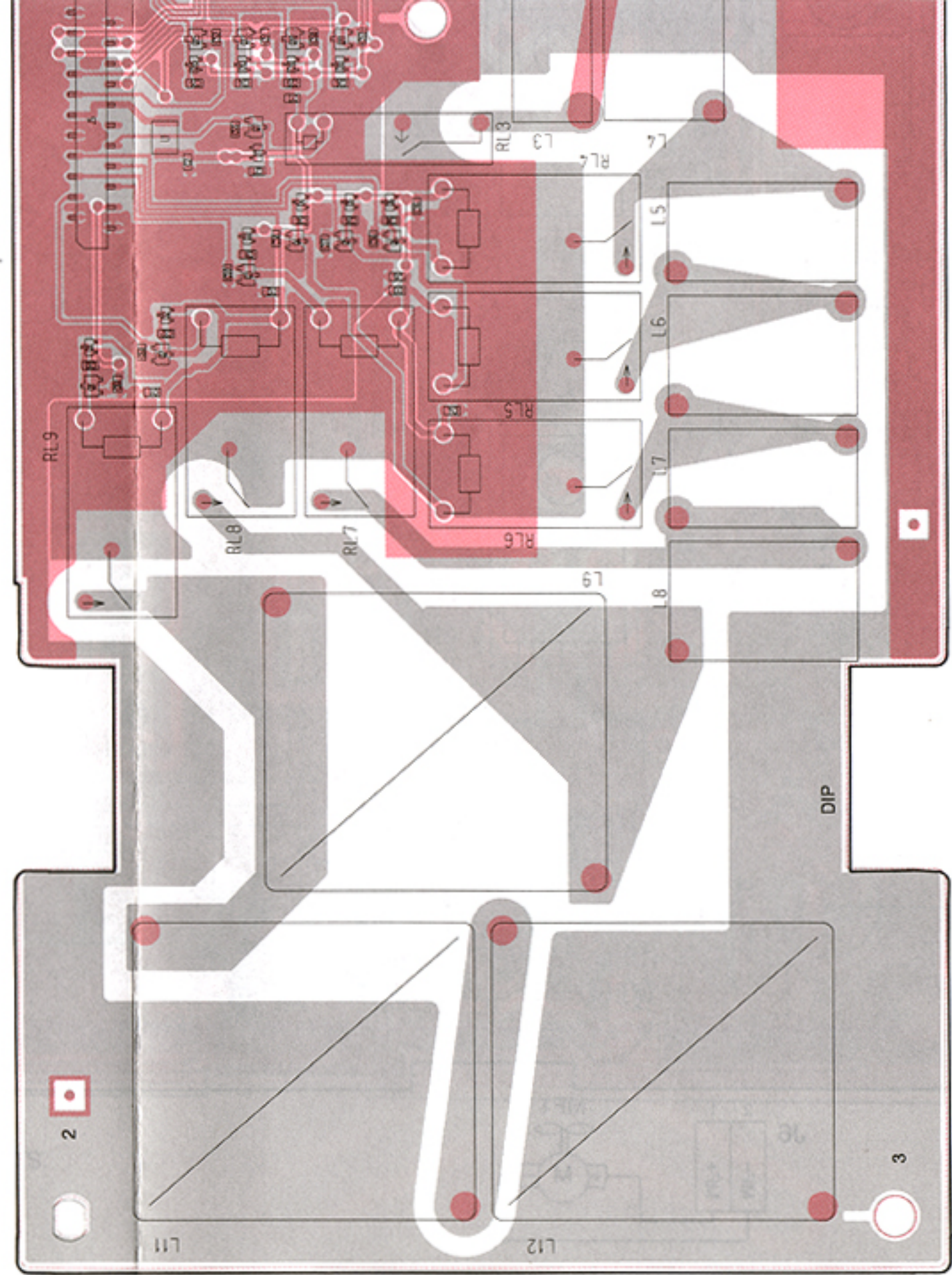
● TUNER UNIT



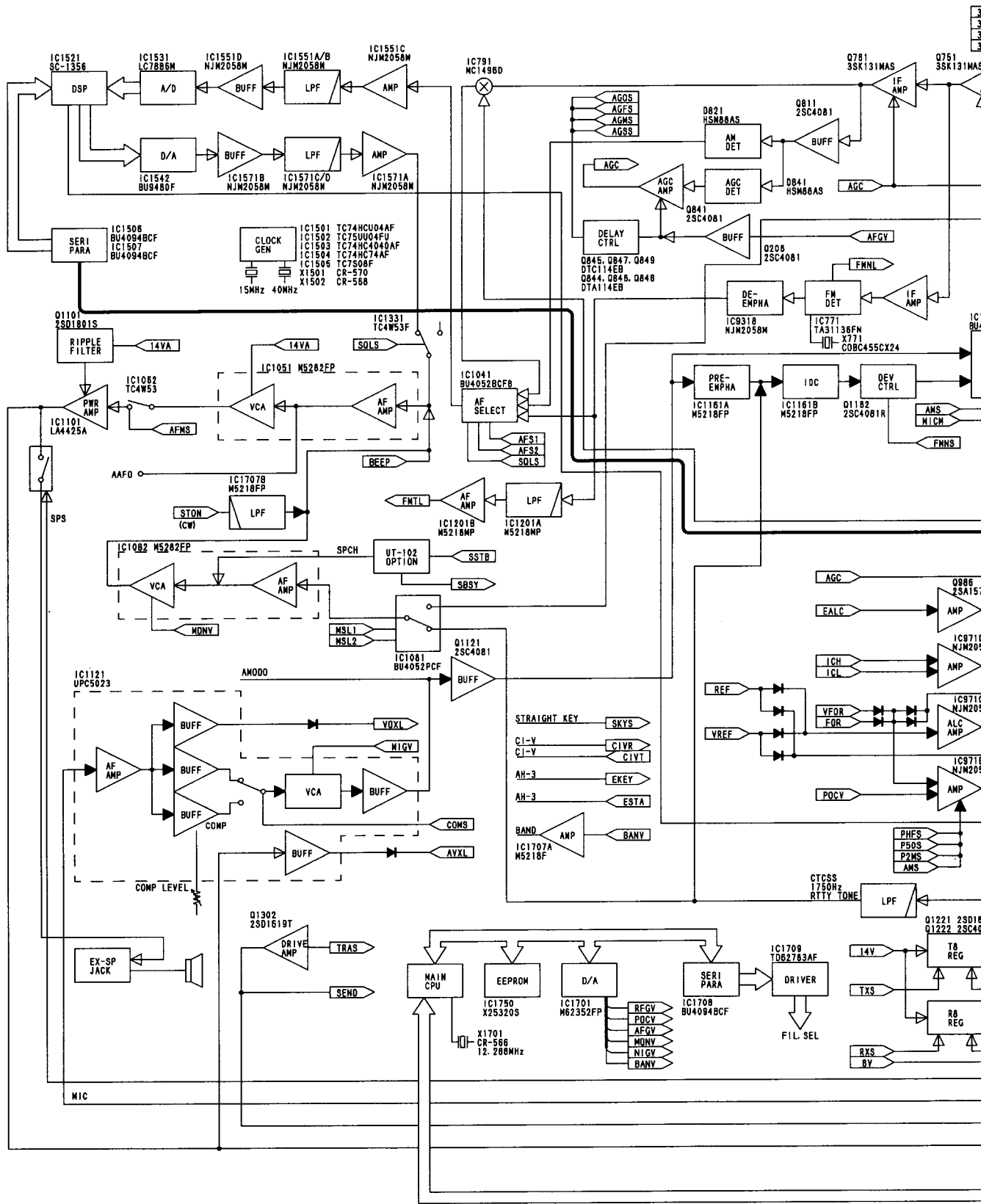
TO CTRL UNIT J8

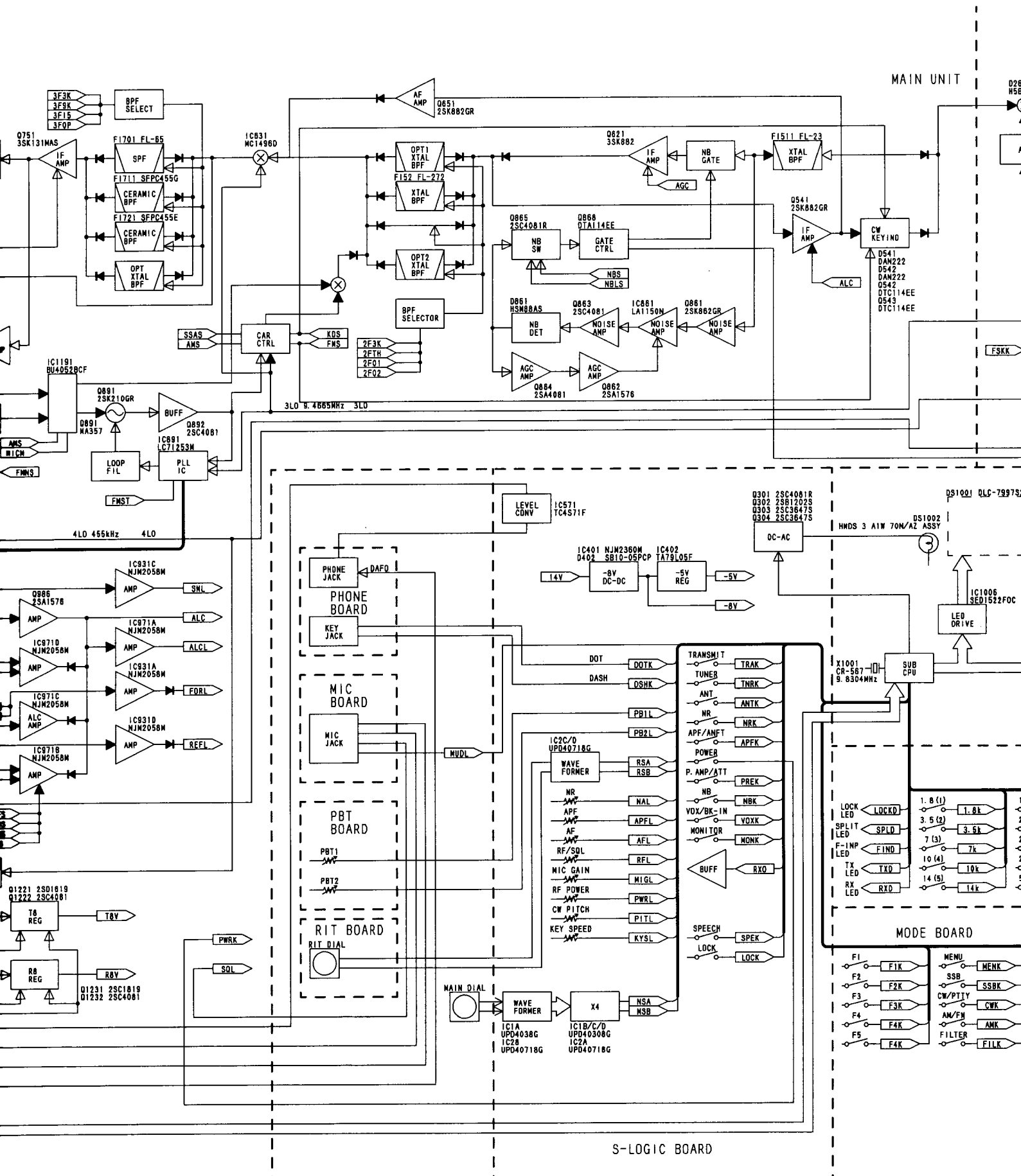
J5

| | |
|----|------|
| 1 | GND |
| 2 | 3.5M |
| 3 | 10M |
| 4 | 14M |
| 5 | 18M |
| 6 | 24M |
| 7 | VHF |
| 8 | GND |
| 9 | 14V |
| 10 | 14V |
| 11 | GND |
| 12 | NVHF |
| 13 | CO1 |
| 14 | CO2 |
| 15 | CO3 |
| 16 | CI2 |
| 17 | CI3 |



SECTION 10 BLOCK DIAGRAM





MAIN UNIT

S-LOGIC BOARD

MODE BOARD

PHONE BOARD
PHONE JACK
KEY JACK

MIC BOARD
MIC JACK

PBT BOARD
PBT1
PBT2

RIT BOARD
RIT DIAL

MAIN DIAL

TRANSMIT
TRAK
TUNER
TNRK
ANT
ANTK
NR
NRK
APF/ANFT
APFK
P. AMP/ATT
PREK
NB
NBK
VDR/BK-IN
YOXK
MONITOR
MONK
BUFF
RXD
SPEECH
SPEK
LOCK

LOCK LED
SPLIT LED
F-IMP LED
TX LED
RX LED

1.8 (1)
3.5 (2)
7 (3)
10 (4)
14 (5)

1.8k
3.5k
7k
10k
14k

F1 F1K
F2 F2K
F3 F3K
F4 F4K
F5 F4K

MENU MENK
SSB SSBK
CW/PTTY CWK
AM/FH AMK
FILTER FILK

14V
-8V DC-DC
-5V REG
-5V
-8V

DC-AC

LED DRIVE
IC1006 SED1522FOC

IC2C/D UPD40718G
WAVE FORMER
NR
APF
AF
RF/SOL
MIC GAIN
RF POWER
CW PITCH
KEY SPEED

NAL
APFL
AFL
RFL
MIGL
PWRL
PITL
KYSL

IC1A UPD4038G
IC2B UPD40718G
IC1B/C/D UPD4038G
IC2A UPD40718G

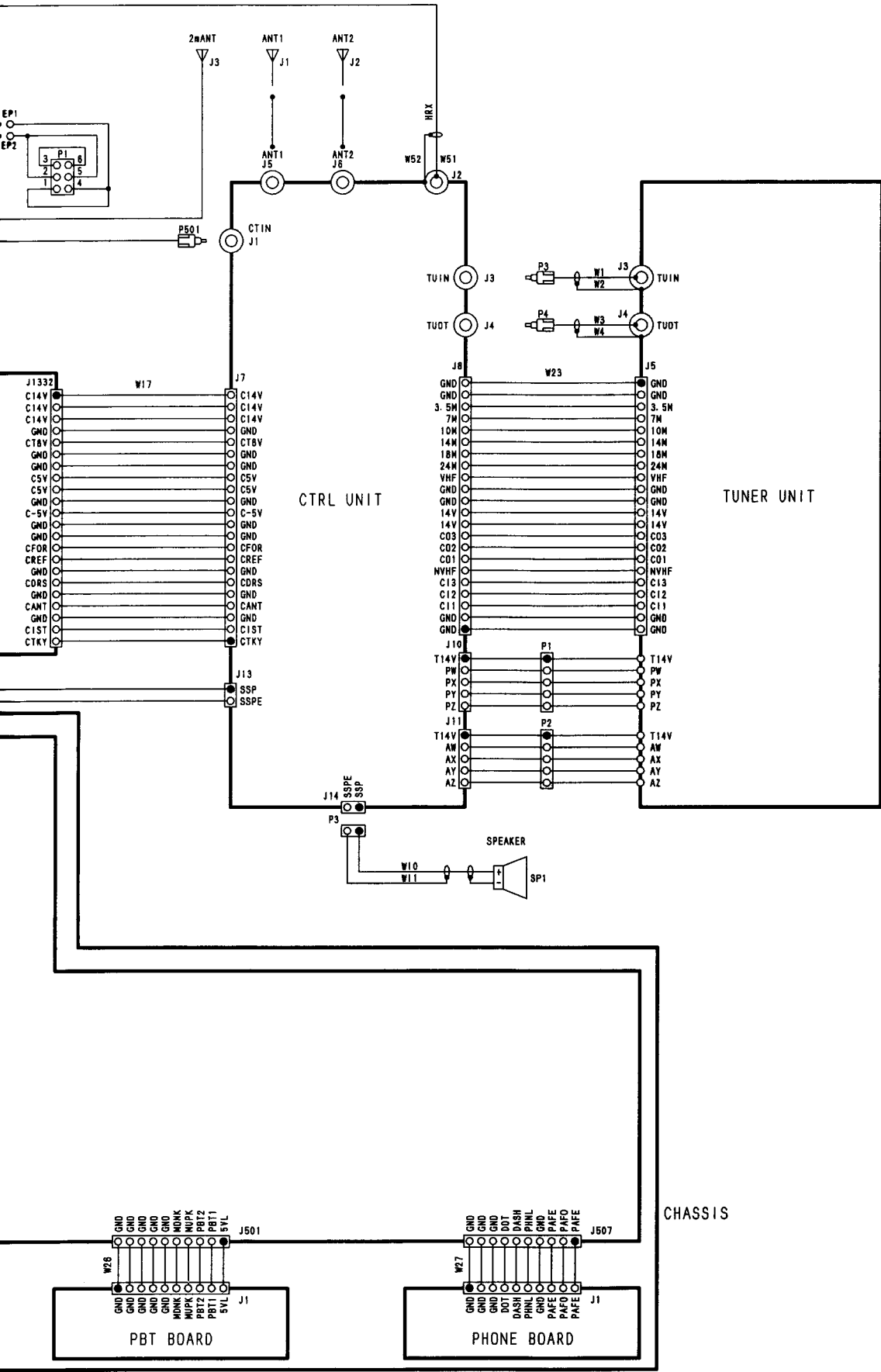
LEVEL CONV
IC571 TC4S71F

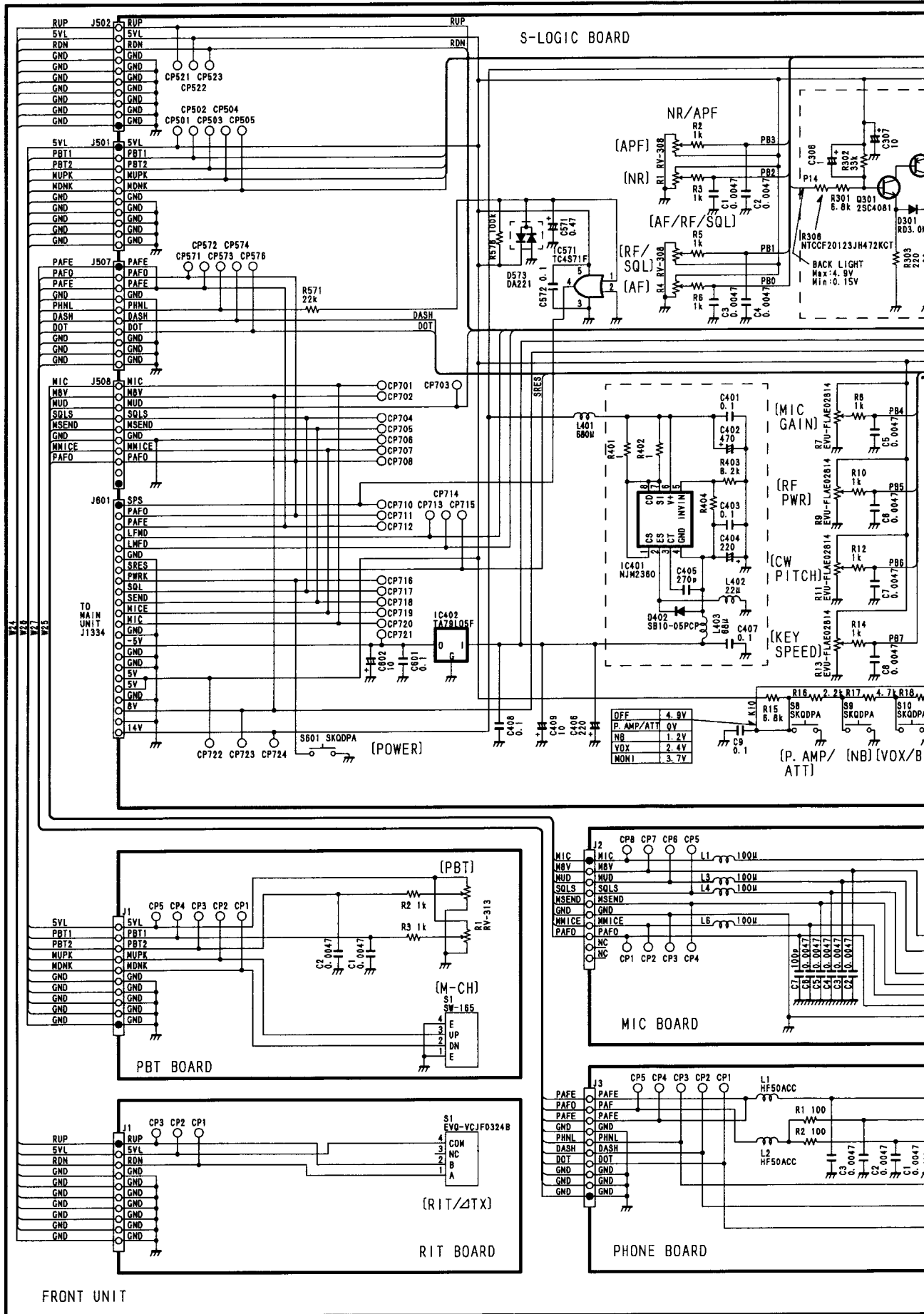
D301 2SC4081R
D302 2SB1202S
D303 2SC3647S
D304 2SC3647S

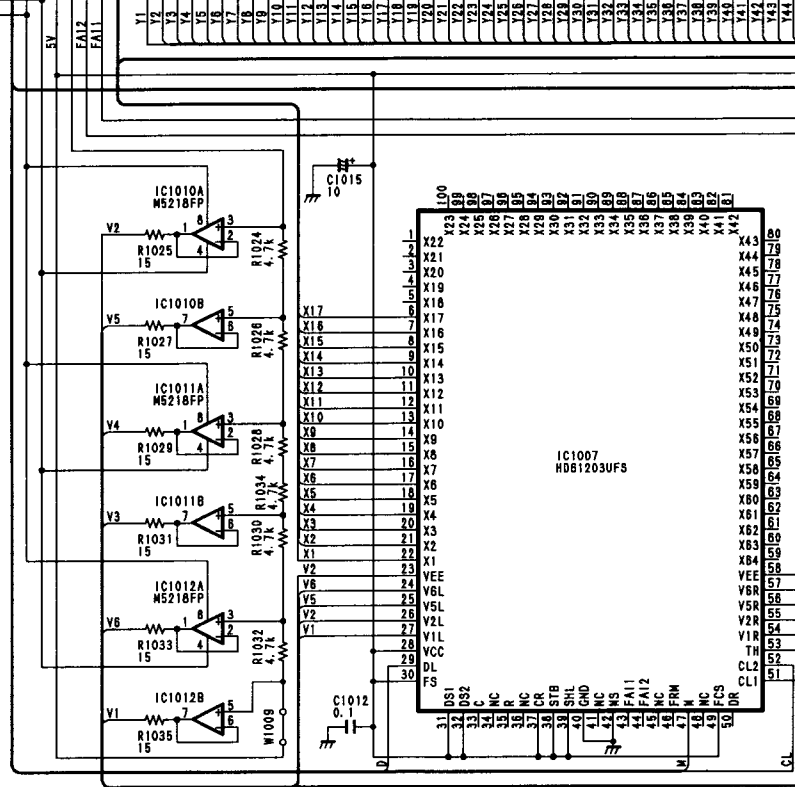
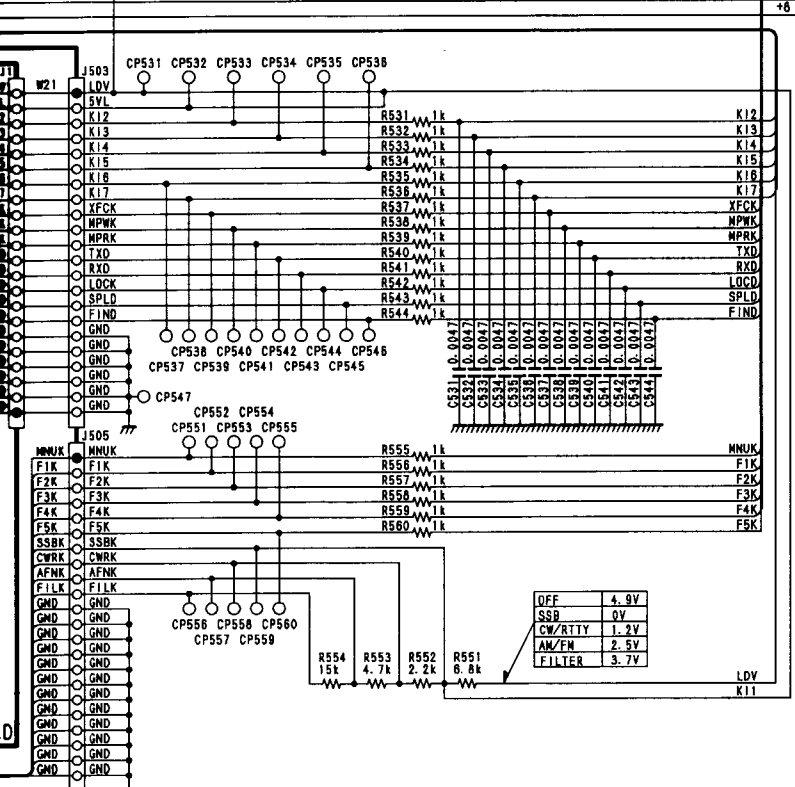
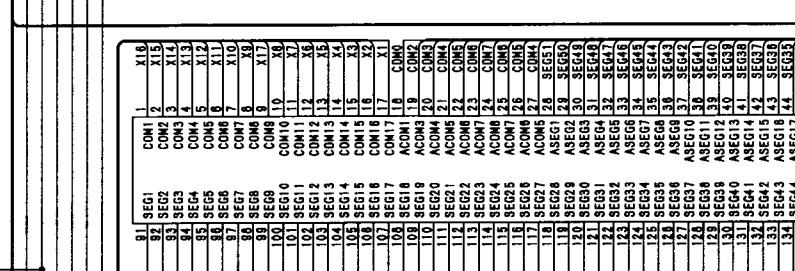
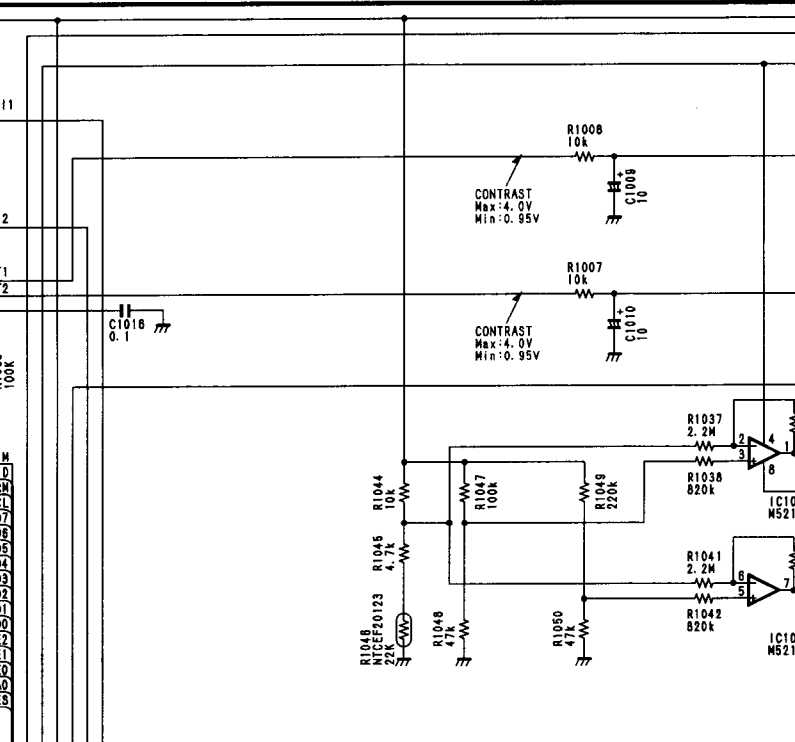
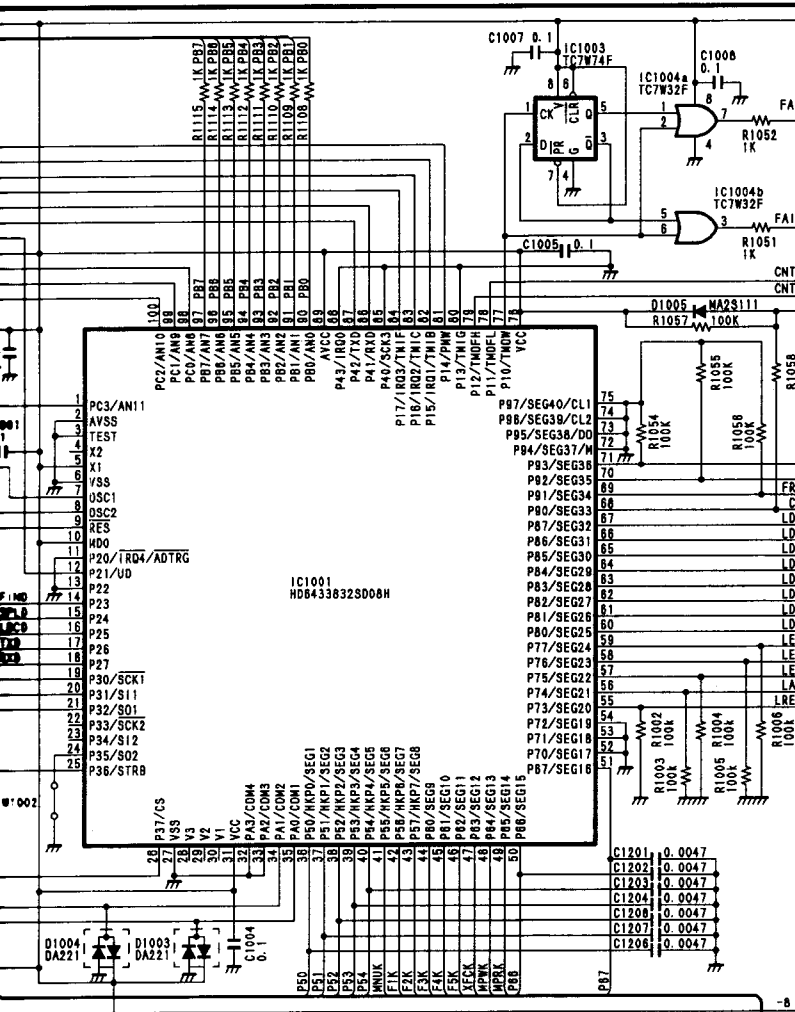
DS1001 DLF-7997S
DS1002 HNSD 3 A1W 70M/AZ ASSY

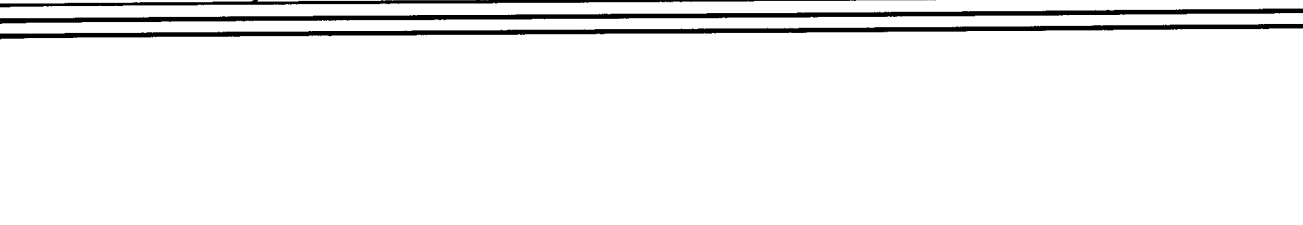
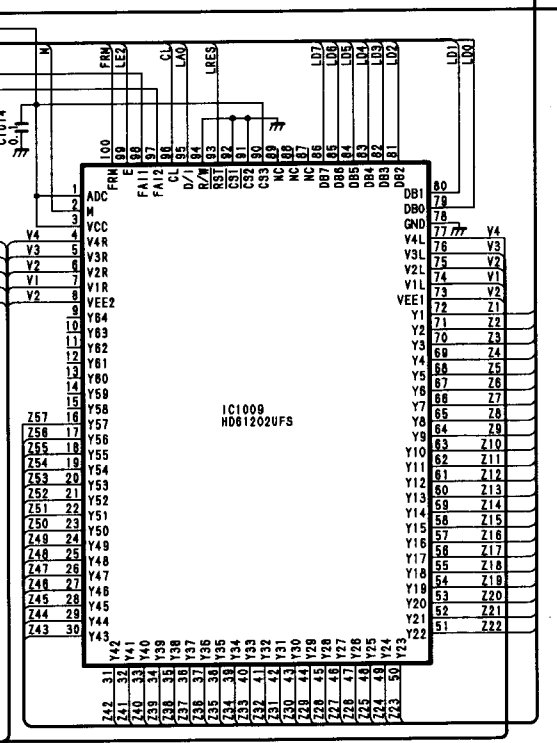
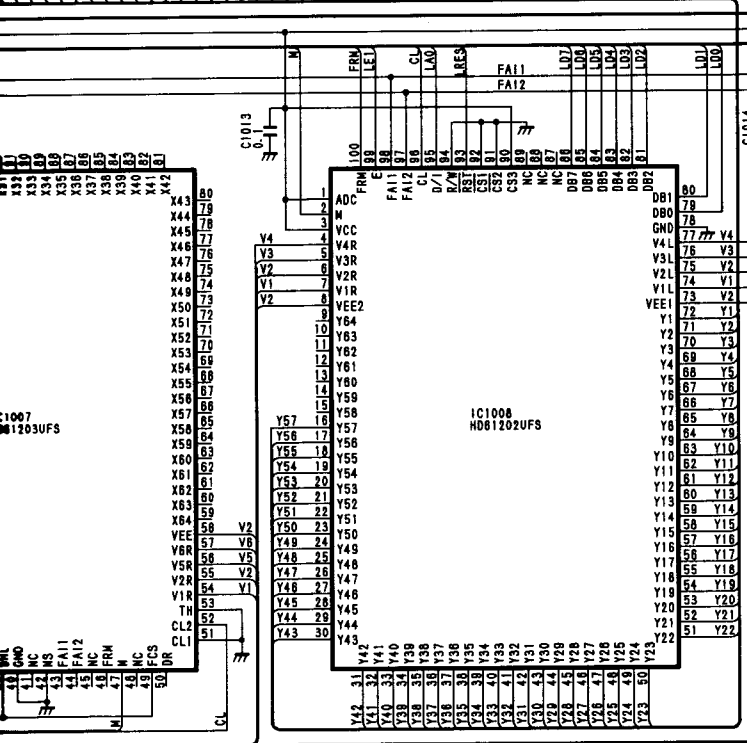
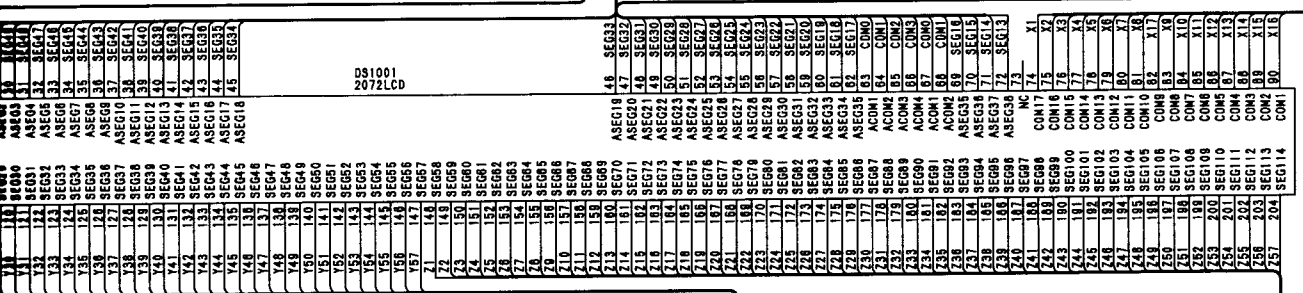
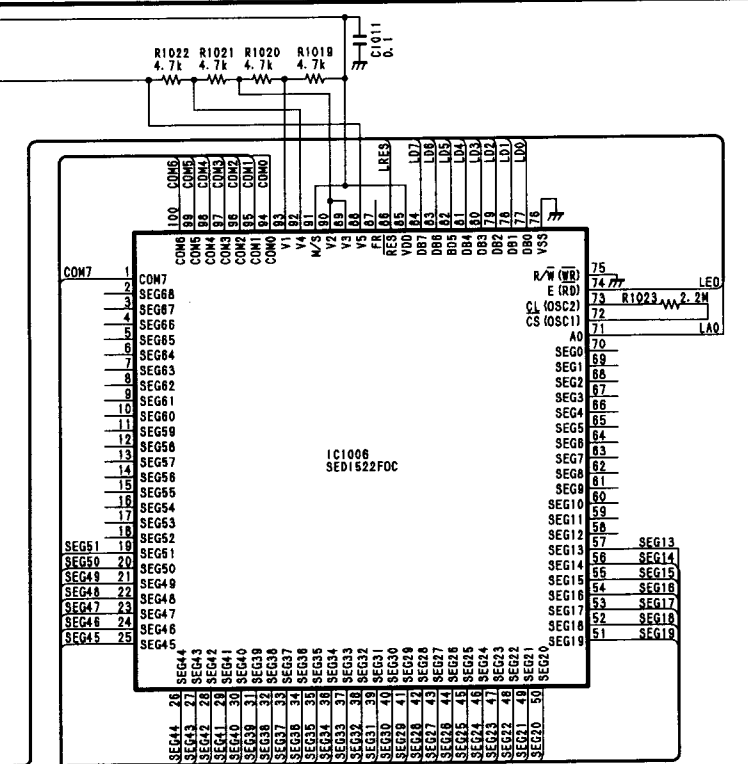
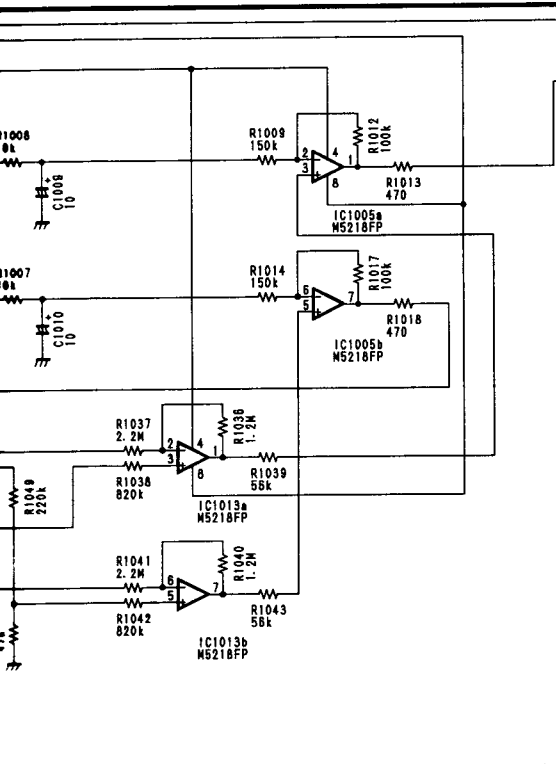
3LO 9.4665MHZ 3LO

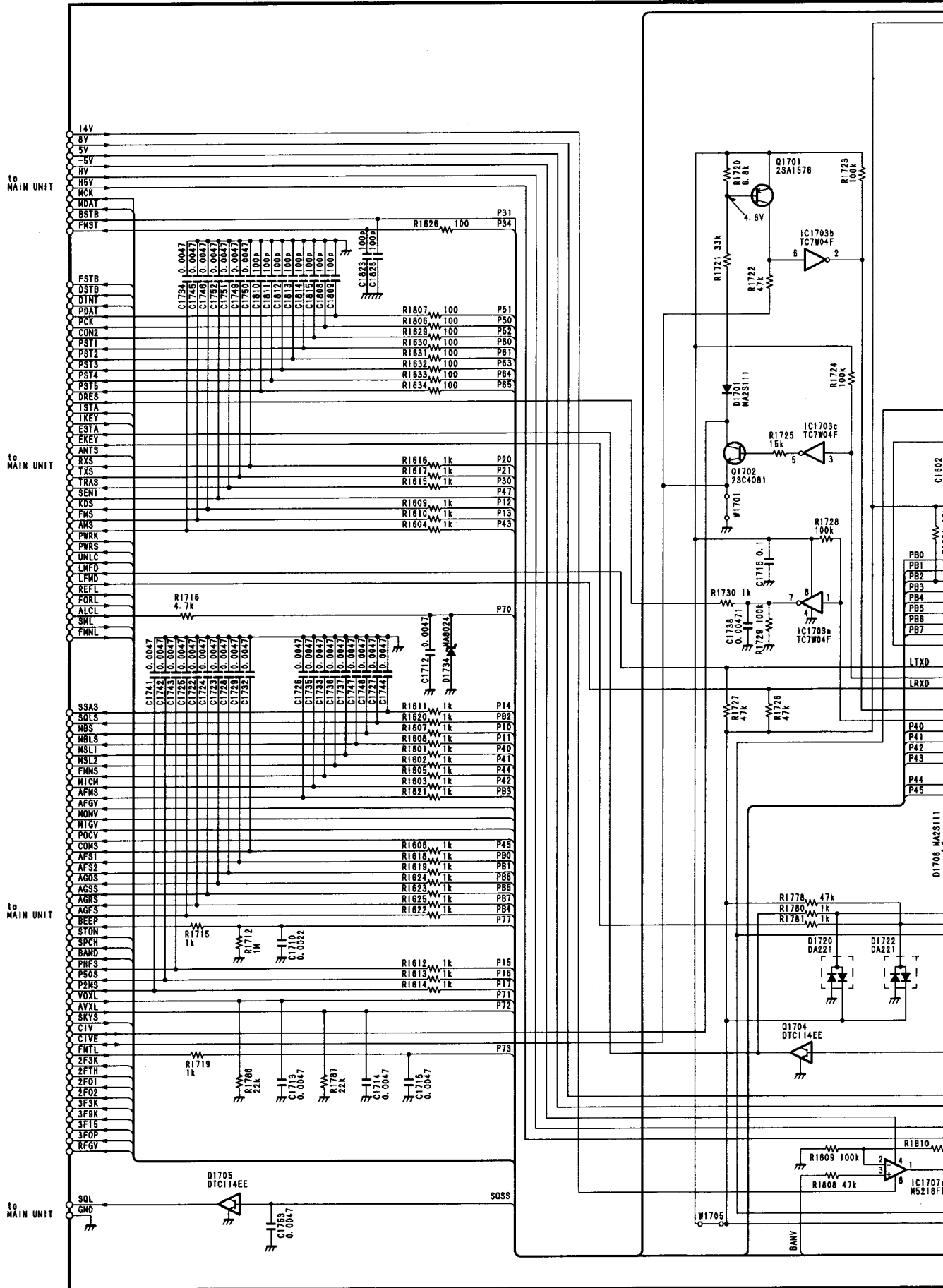
4LO 455kHz 4LO

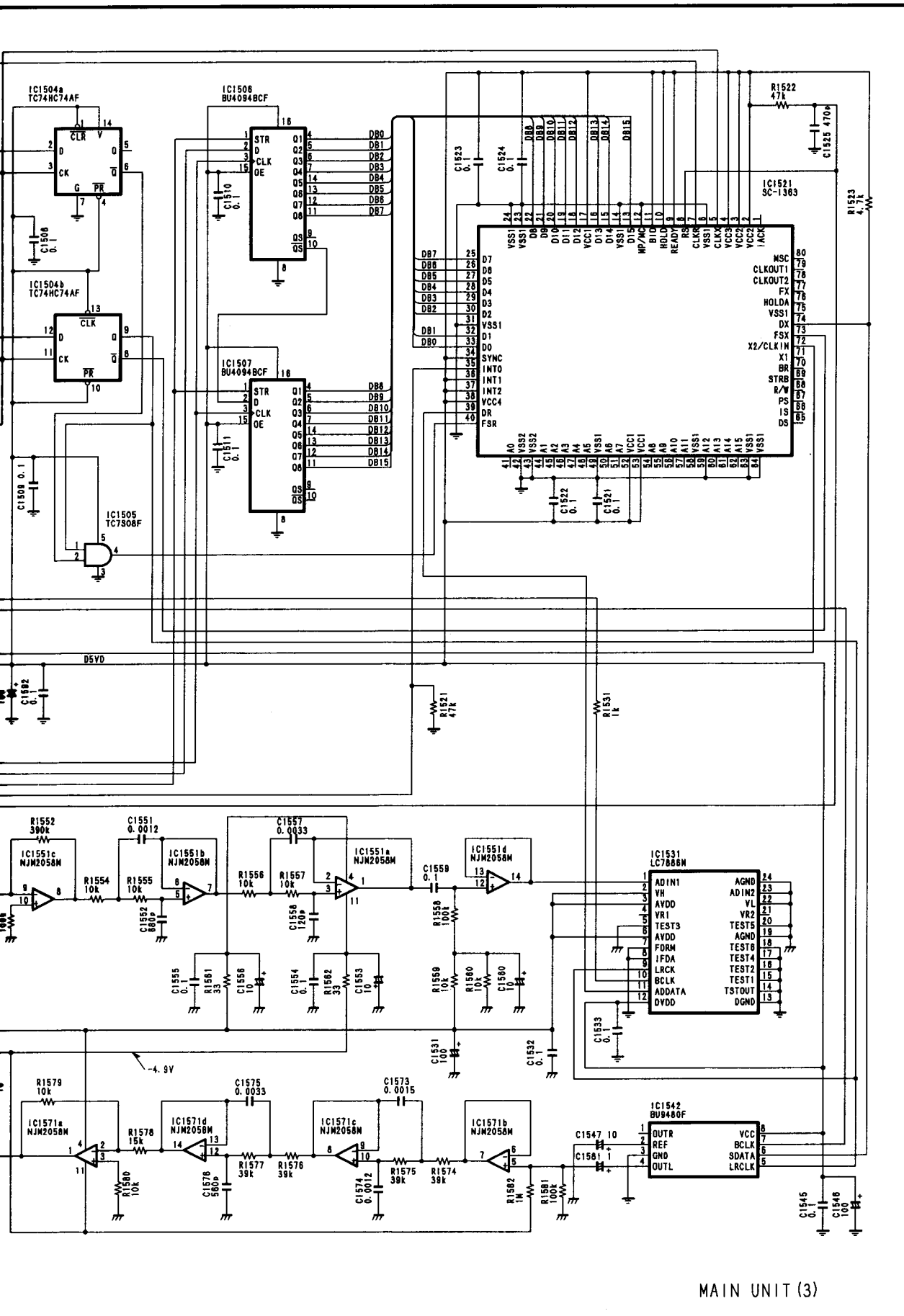




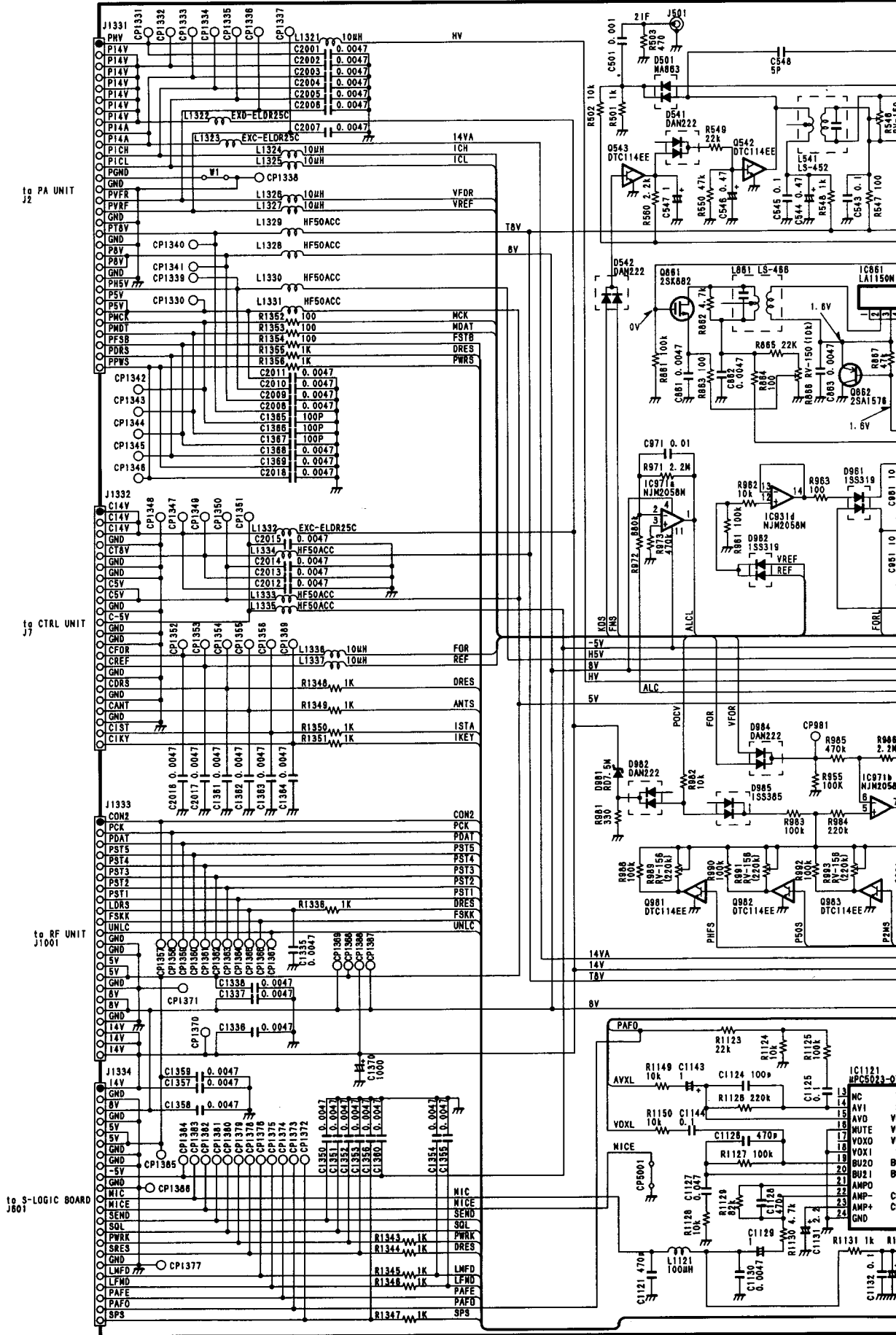


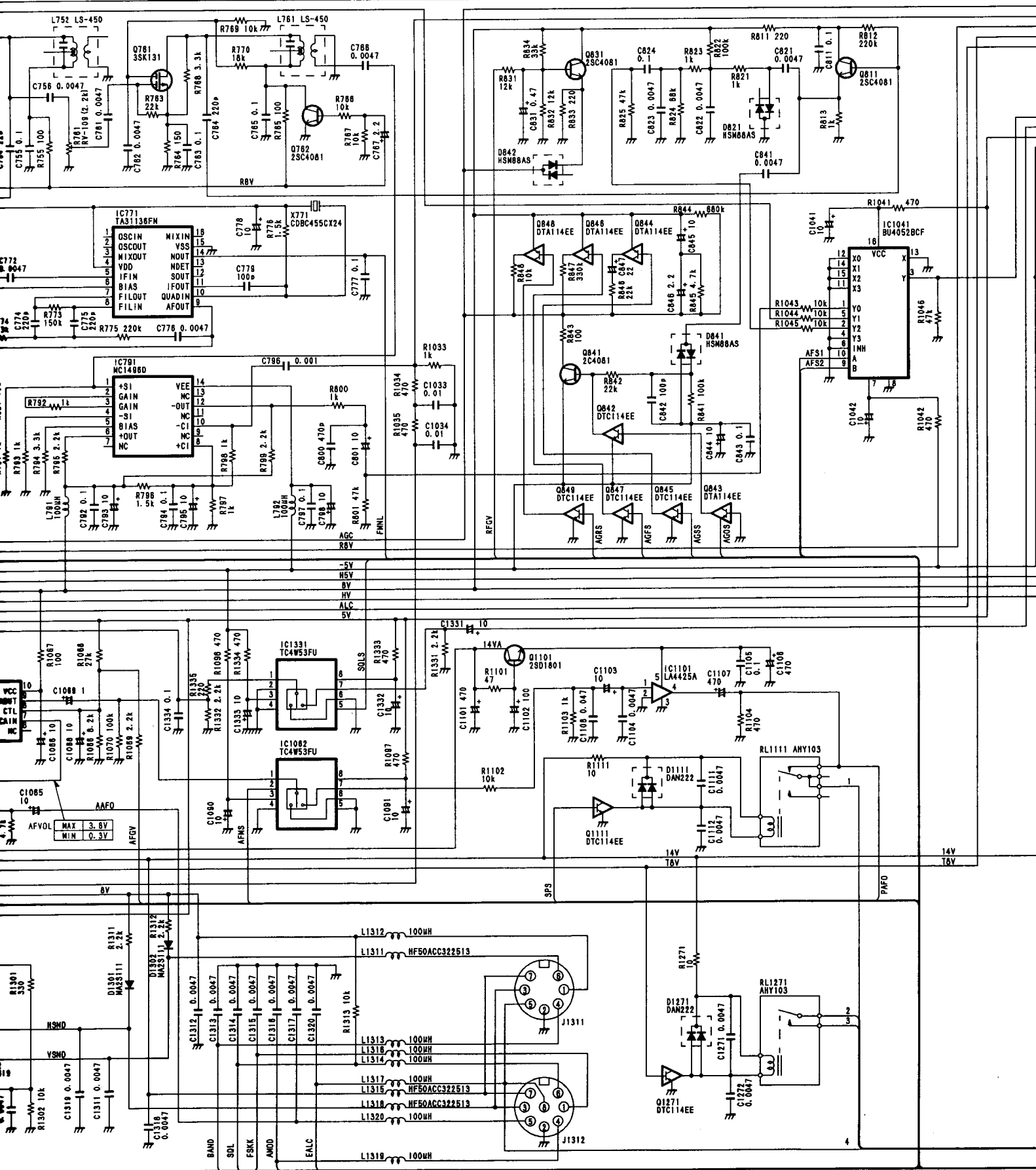






MAIN UNIT (3)

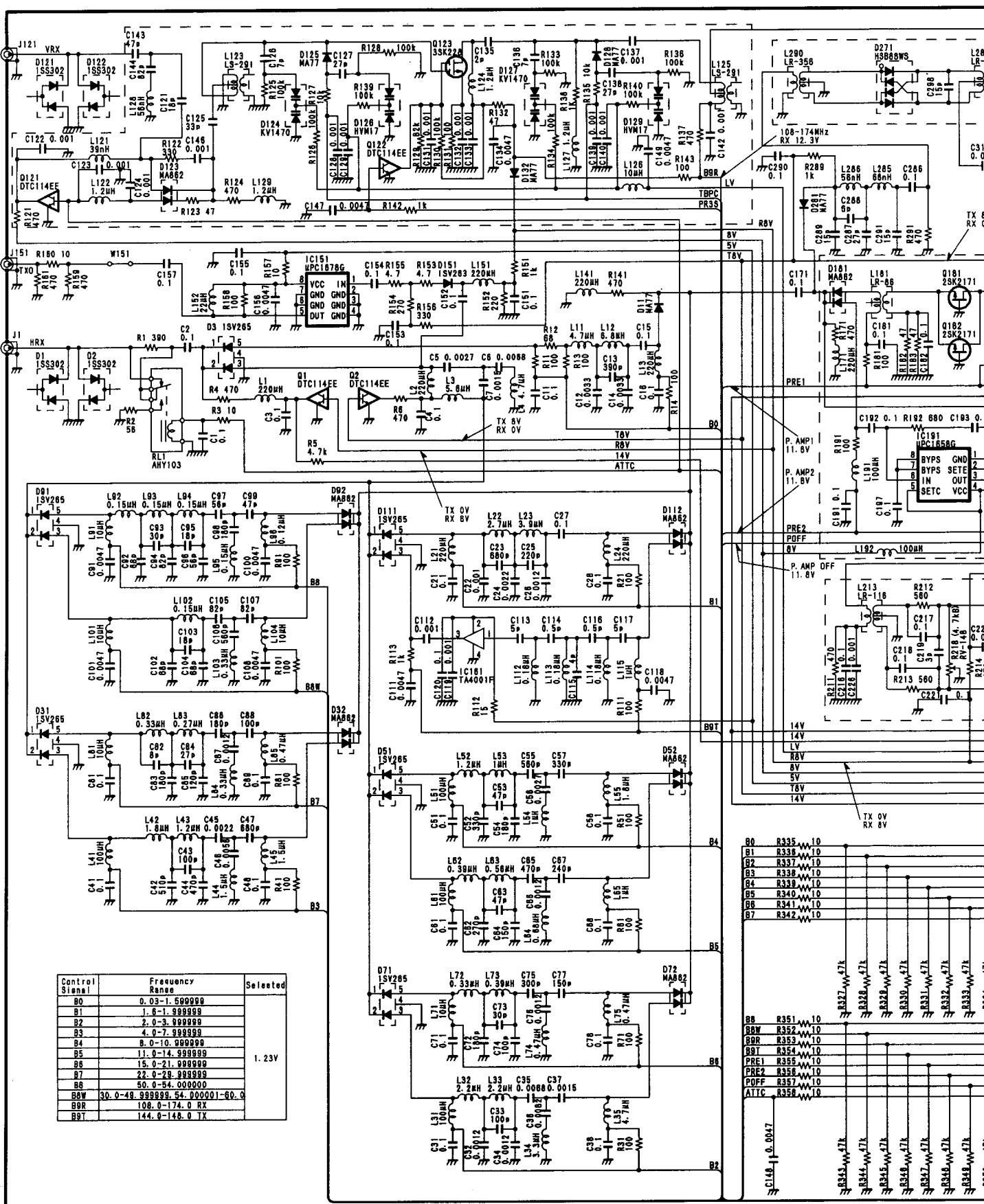




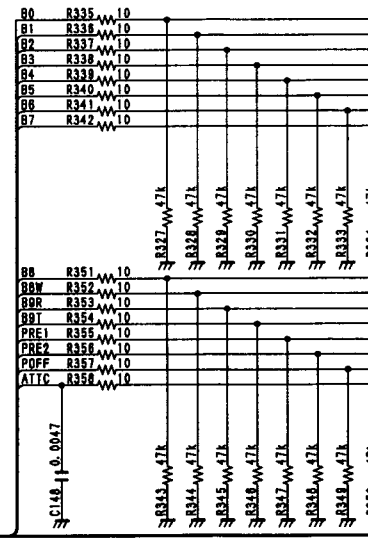
VRX
from
PA UNIT
P01 (J601)

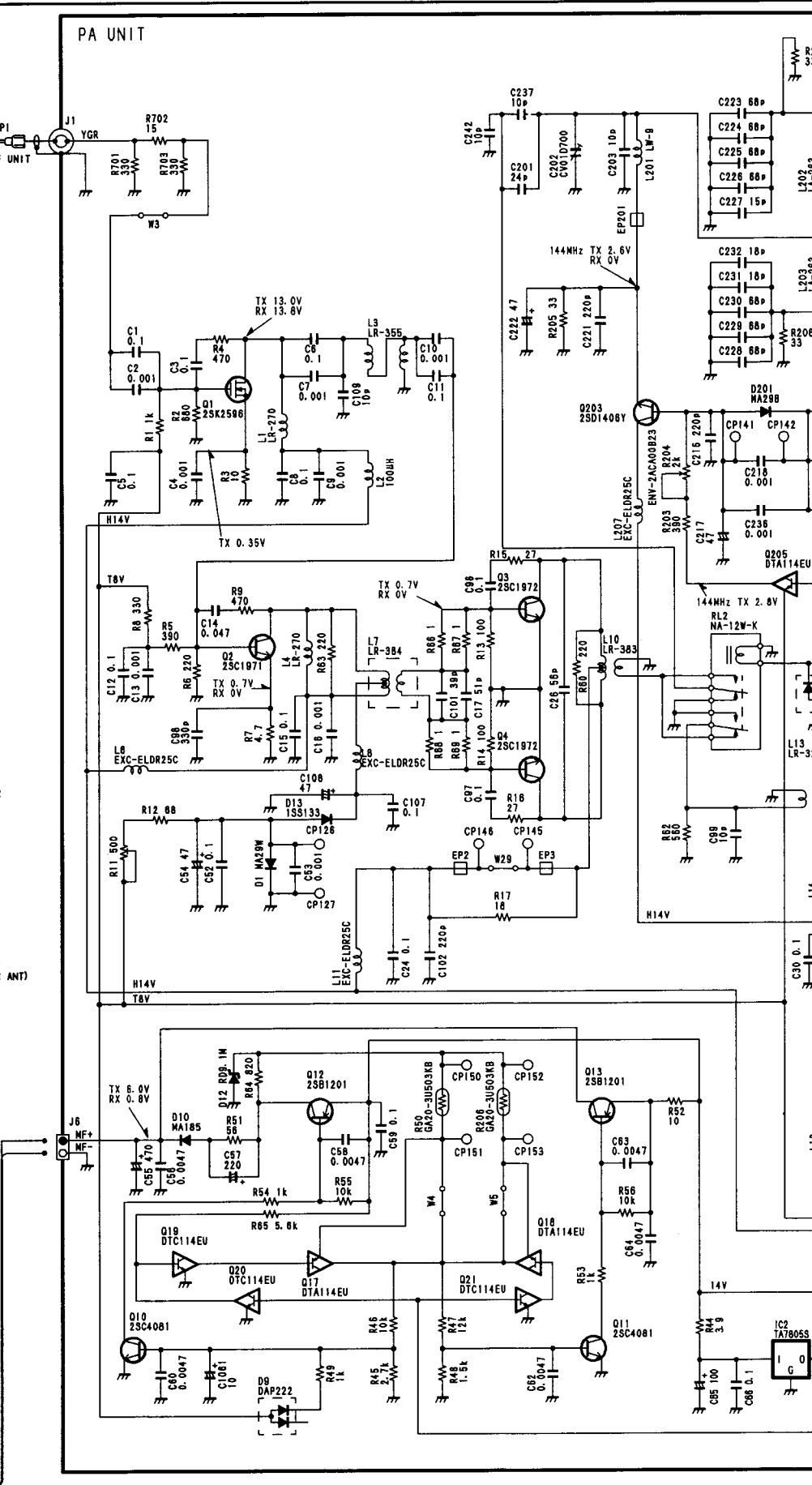
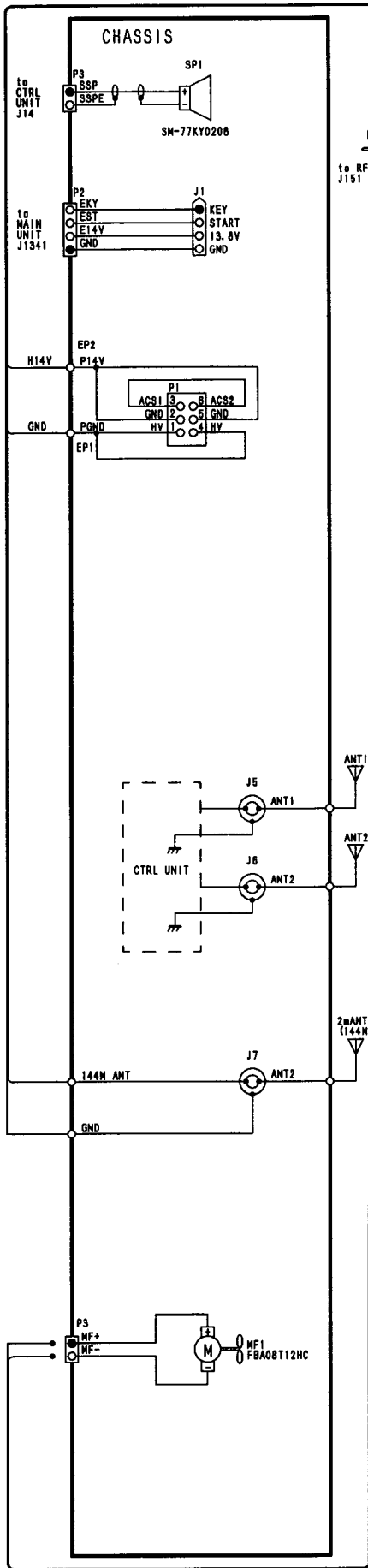
TXO
from
PA UNIT
P1 (J1)

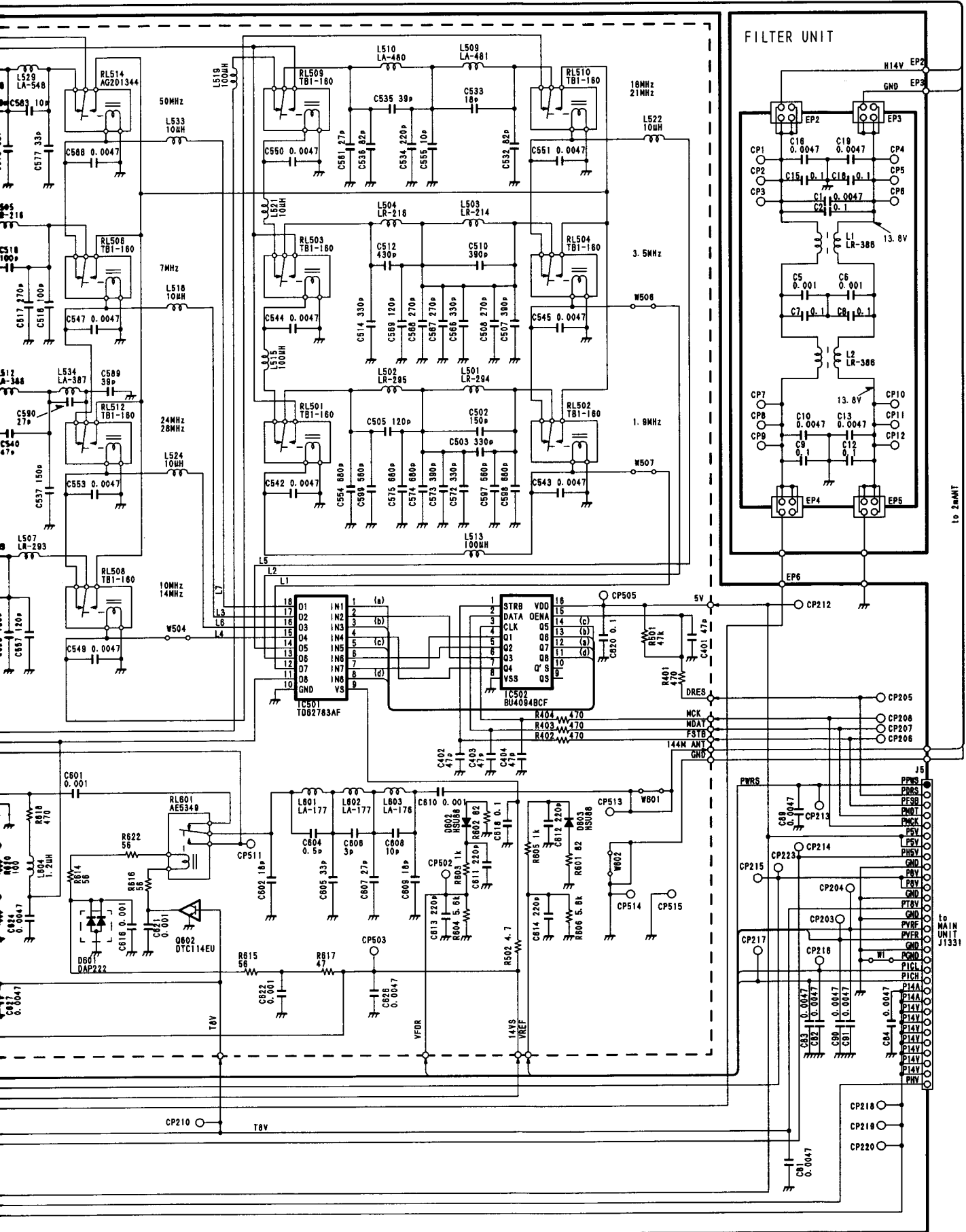
HRX
from
CTRL UNIT
P2 (J2)



| Control Signal | Frequency Range | Selected |
|----------------|--------------------------------|----------|
| B0 | 0.03-1.500000 | 1.23V |
| B1 | 1.6-1.999999 | |
| B2 | 2.0-3.999999 | |
| B3 | 4.0-7.999999 | |
| B4 | 8.0-10.999999 | |
| B5 | 11.0-14.999999 | |
| B6 | 15.0-21.999999 | |
| B7 | 22.0-29.999999 | |
| B8 | 50.0-54.000000 | |
| B8W | 30.0-49.999999, 54.000001-60.0 | |
| B8R | 108.0-174.0 RX | |
| B8T | 144.0-148.0 TX | |



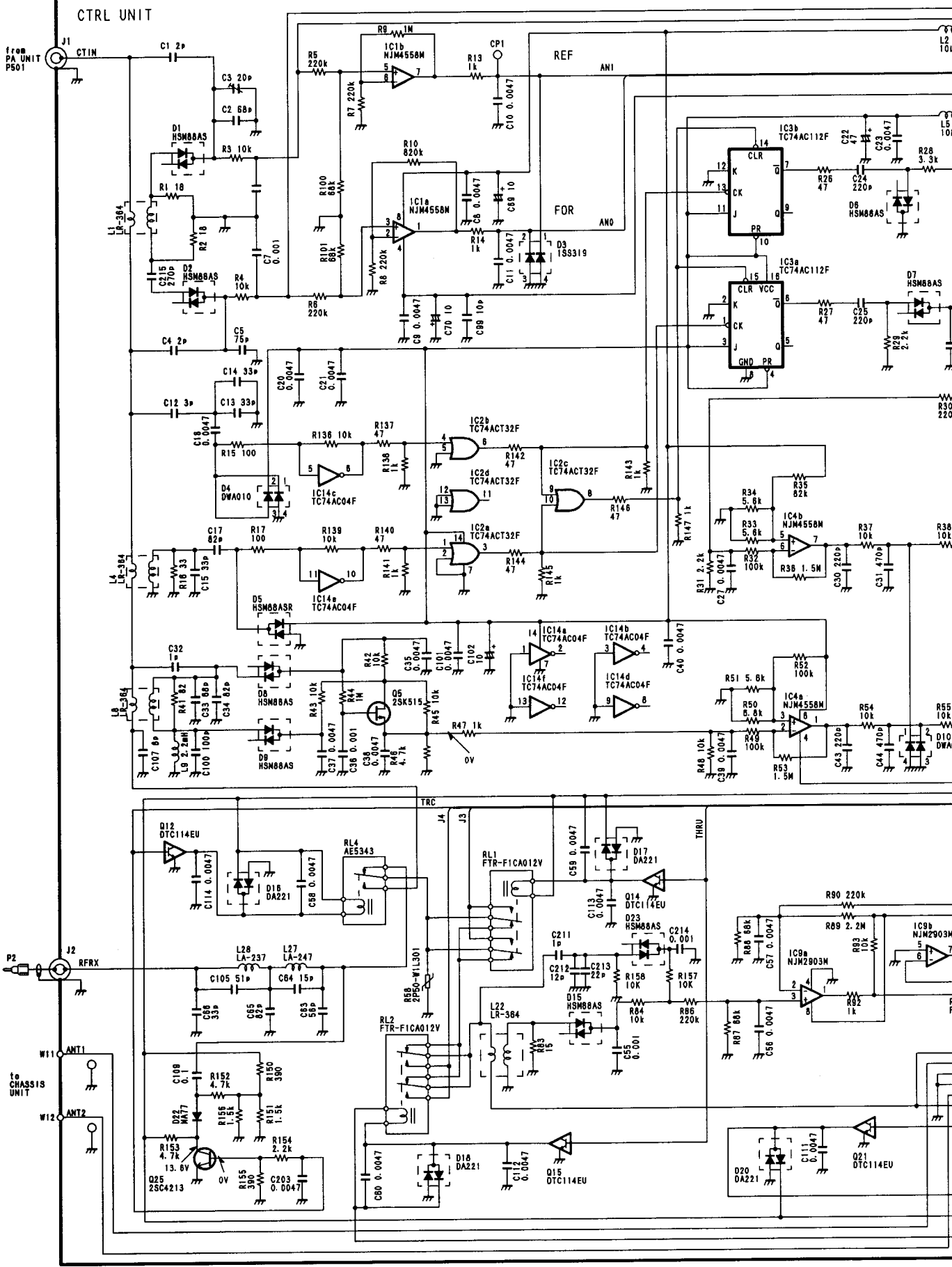


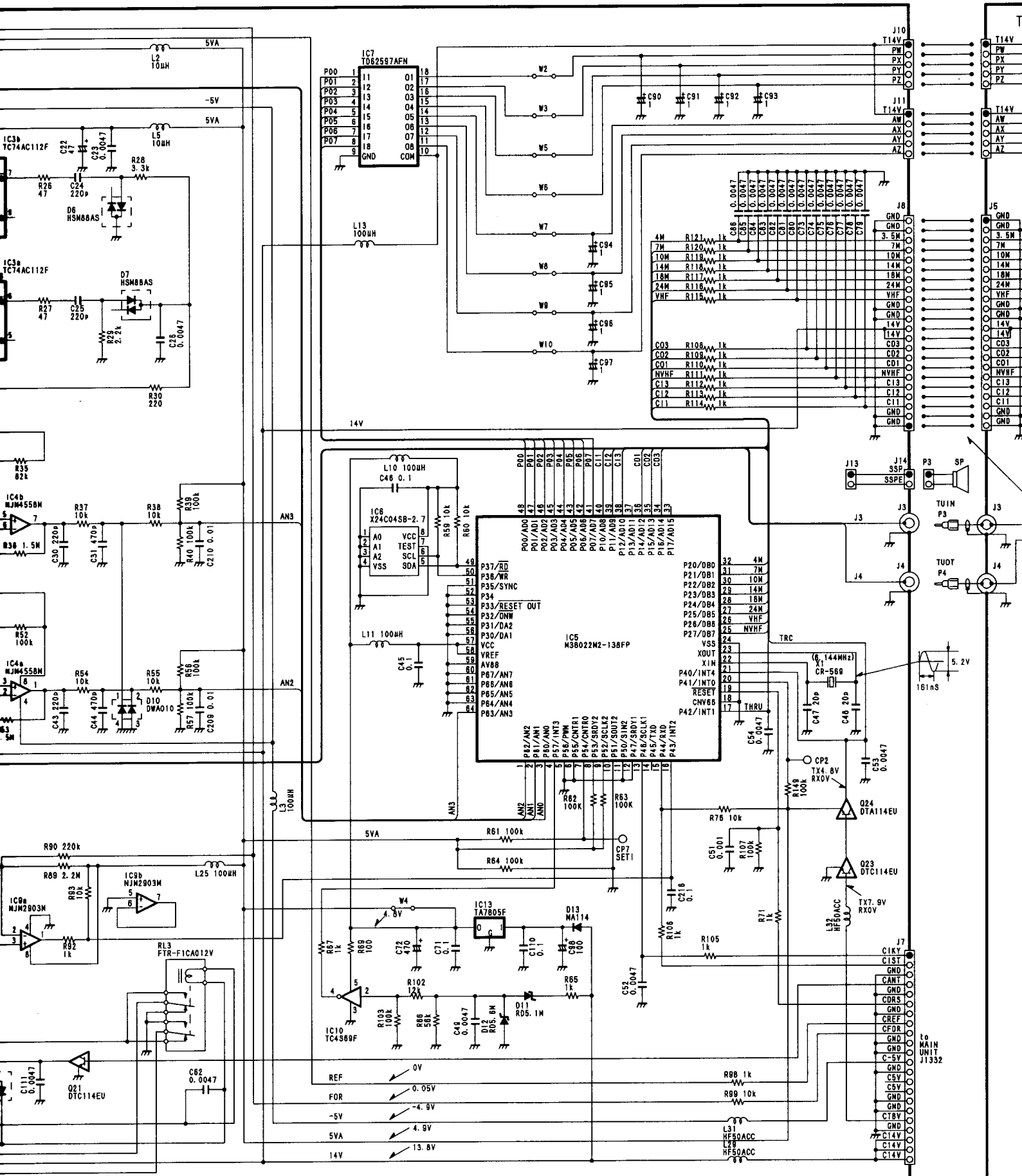


FILTER UNIT

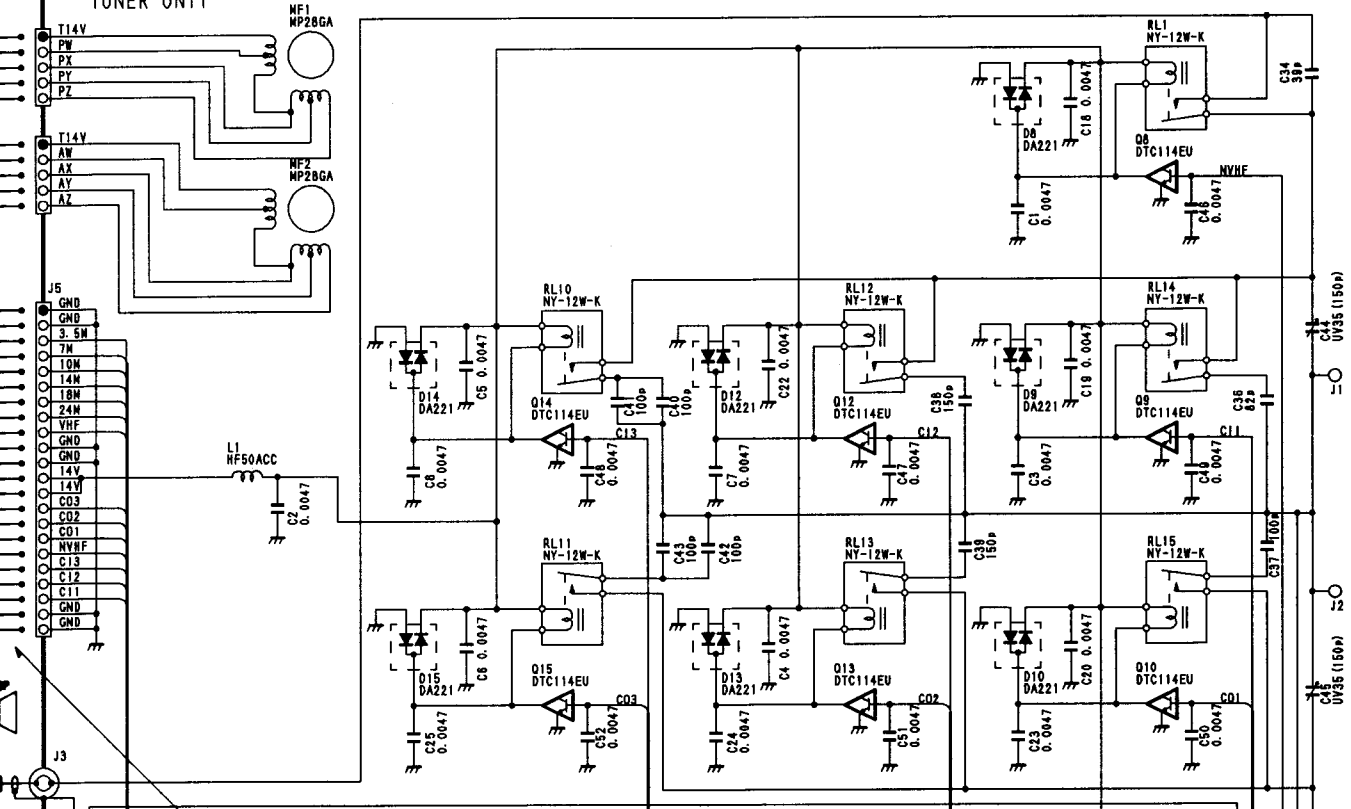
to ZmANT

to MAIN UNIT J1331

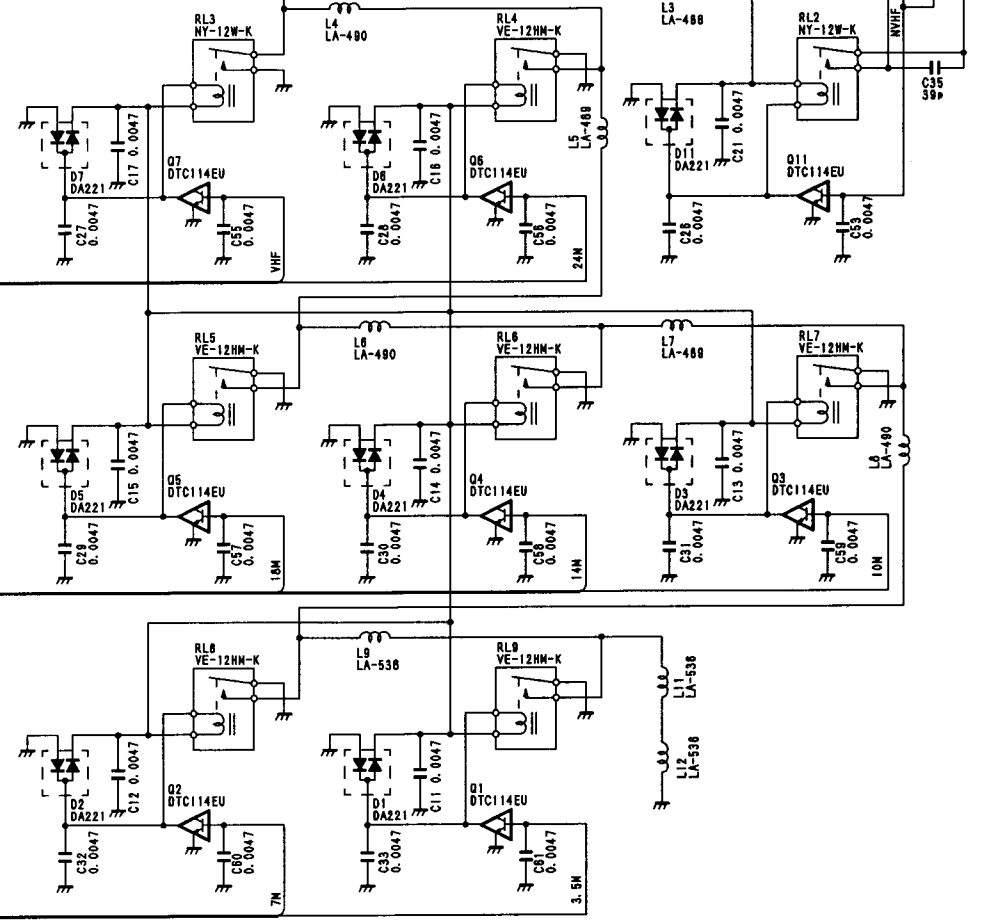




TUNER UNIT



| SIGNAL | SELECT | OFF |
|--------|--------|-----|
| 3.5M | 4.3V | DV |
| 7M | 4.3V | DV |
| 10M | 4.3V | DV |
| 14M | 4.3V | DV |
| 18M | 4.3V | DV |
| 24M | 4.3V | DV |
| VHF | 4.3V | DV |
| CD3 | 4.3V | DV |
| CD2 | 4.3V | DV |
| CD1 | 4.3V | DV |
| C13 | 4.3V | DV |
| C12 | 4.3V | DV |
| C11 | 4.3V | DV |



UV35 (150P) 20
UV35 (150P) 20

Icom Inc.

6-9-16, Kamihigashi, Hirano-ku, Osaka 547-0002, Japan
Phone : 06 6793 5302
Fax : 06 6793 0013

Icom America Inc.

<Corporate Headquarters>
2380 116th Avenue N.E., Bellevue, WA 98004, U.S.A.
Phone : (425) 454-8155 Fax : (425) 454-1509
URL : <http://www.icomamerica.com>
<Customer Service>
Phone : (425) 454-7619

Icom Canada

3071 #5 Road, Unit 9, Richmond, B.C., V6X 2T4, Canada
Phone : (604) 273-7400 Fax : (604) 273-1900
URL : <http://www.icomcanada.com>

Icom (Australia) Pty. Ltd.

A.C.N. 006 092 575
290-294 Albert Street, Brunswick, Victoria, 3056, Australia
Phone : 03 9387 0666 Fax : 03 9387 0022
URL : <http://www.icom.net.au>

Asia Icom Inc.

6F No. 68, Sec. 1 Cheng-Teh Road, Taipei, Taiwan, R.O.C.
Phone : (02) 2559 1899 Fax : (02) 2559 1874

Icom (Europe) GmbH

Communication Equipment
Himmelgeister Str. 100, D-40225 Düsseldorf, Germany
Phone : 0211 346047 Fax : 0211 333639
URL : <http://www.icomeurope.com>

Icom Spain S.L.

Crta. de Gracia a Manresa Km. 14,750
08190 Sant Cugat del Valles Barcelona, SPAIN
Phone : (93) 590 26 70 Fax : (93) 589 04 46
URL : <http://www.icomspain.com>

Icom (UK) Ltd.

Unit 9, Sea St., Herne Bay, Kent, CT6 8LD, U.K.
Phone : 01227 741741 Fax : 01227 741742
URL : <http://www.icomuk.co.uk>

Icom France Sa

Zac de la Plaine, Rue Brindejonc des Moulinais
BP 5804, 31505 Toulouse Cedex, France
Phone : 561 36 03 03 Fax : 561 36 03 00
URL : <http://www.icom-france.com>

Count on us!

