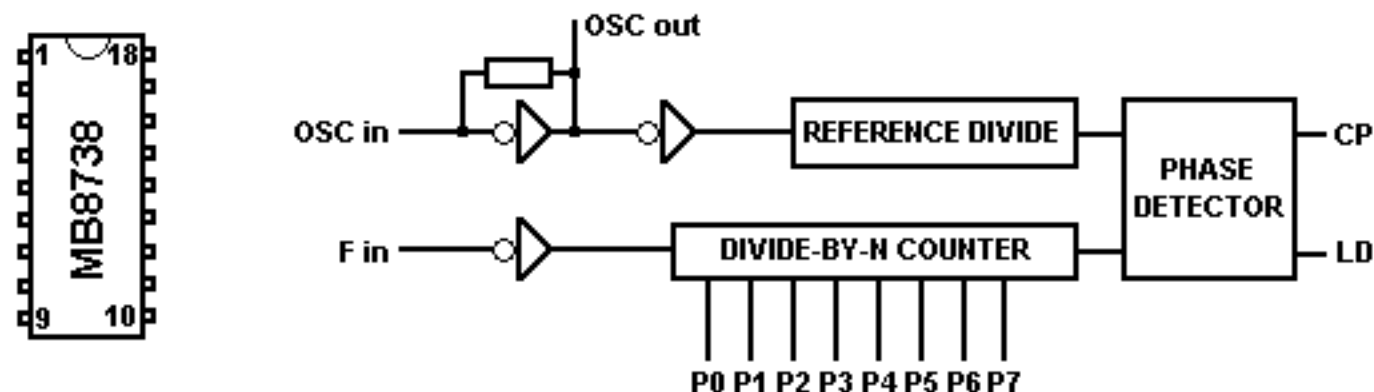


MB8738 PLL Synthesizer



Overview

This PLL-circuit use a 7 bit BCD binary programmable divide-by-N counter.

Pin	Name	Description
1	Vcc	Positive Supply Voltage
2	R Out	Reference Frequency In
3	R Out	Reference Frequency Out
4		
5		
6		
7		
8		
9	F In	Oscillator Frequency Input
10	P	Programmable inputs (Binary)
11	P	Programmable inputs (Binary)
12	P	Programmable inputs (Binary)
13	P	Programmable inputs (Binary)
14	P	Programmable inputs (Binary)
15	P	Programmable inputs (Binary)
16	P	Programmable inputs (Binary)
17	P	Programmable inputs (Binary)
18	V _{ss}	GND Ground