

# MB1505

## SERIAL INPUT PLL FREQUENCY SYNTHESIZER

### LOW POWER SERIAL INPUT PLL SYNTHESIZER WITH 600MHz PRESCALER

The Fujitsu MB1505, utilizing BI-CMOS technology, is a single chip serial input PLL synthesizer with pulse-swallow function. The MB1505 contains a 600MHz two modulus prescaler that can select of either 32/33 or 64/65 divide ratio, control signal generator, 16-bit shift register, 15-bit latch, programmable reference divider (binary 14-bit programmable reference counter), 1-bit switch counter, phase comparator with phase conversion function, charge pump, crystal oscillator, 19-bit shift register, 18-bit latch, programmable divider (binary 7-bit swallow counter and binary 11-bit programmable counter) and analog switch to speed up lock up time.

It operates supply voltage of 5V typ. and achieves very low supply current of 6mA typ. realized through the use of Fujitsu Advanced Process Technology.

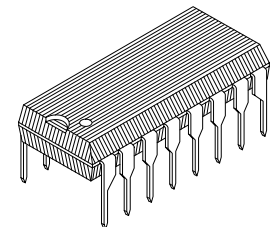
#### FEATURES

- High operating frequency:  $f_{IN\ MAX}=600MHz$  ( $P_{IN\ MIN}=-4dBm$ )
- Pulse swallow function: 32/33 or 64/65
- Low supply current:  $I_{CC}$  6mA typ.
- Serial input 18-bit programmable divider consisting of:
  - Binary 7-bit swallow counter: 0 to 63
  - Binary 11-bit programmable counter: 16 to 2047
- Serial input 15-bit programmable reference divider consisting of:
  - Binary 14-bit programmable reference counter: 8 to 16383
  - 1-bit switch counter (SW) sets divide ratio of prescaler
- On-chip analog switch achieves fast lock up time
- 2 types of phase detector output
  - On-chip charge pump (Bipolar type)
  - Output for external charge pump
- Wide operating temperature:  $-40^{\circ}C$  to  $+85^{\circ}C$
- 16-pin Plastic DIP Package (Suffix: —P)  
16-pin Plastic Flat Package (Suffix: —PF)

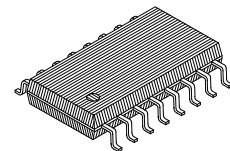
#### ABSOLUTE MAXIMUM RATINGS (See NOTE)

Rating	Symbol	Value	Unit
Power Supply Voltage	$V_{CC}$	-0.5 to +7.0	V
	$V_P$	$V_{CC}$ to 10.0	V
Output Voltage	$V_{OUT}$	-0.5 to $V_{CC}+0.5$	V
Open-drain Voltage	$V_{OOP}$	-0.5 to 0.8	V
Output Current	$I_{OUT}$	$\pm 10$	mA
Storage Temperature	$T_{STG}$	-55 to +125	$^{\circ}C$

NOTE: Permanent device damage may occur if the above Absolute Maximum Ratings are exceeded. Functional operation should be restricted to the conditions as detailed in the operational sections of this data sheet. Exposure to absolute maximum rating conditions for extended periods may affect device reliability.

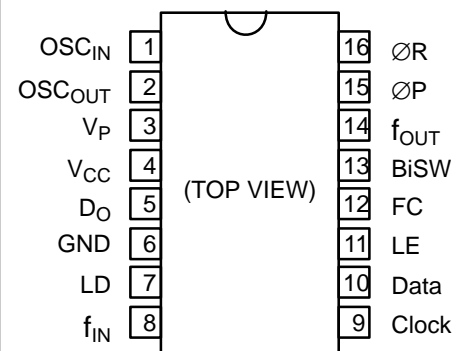


Plastic Package  
DIP-16P-M04



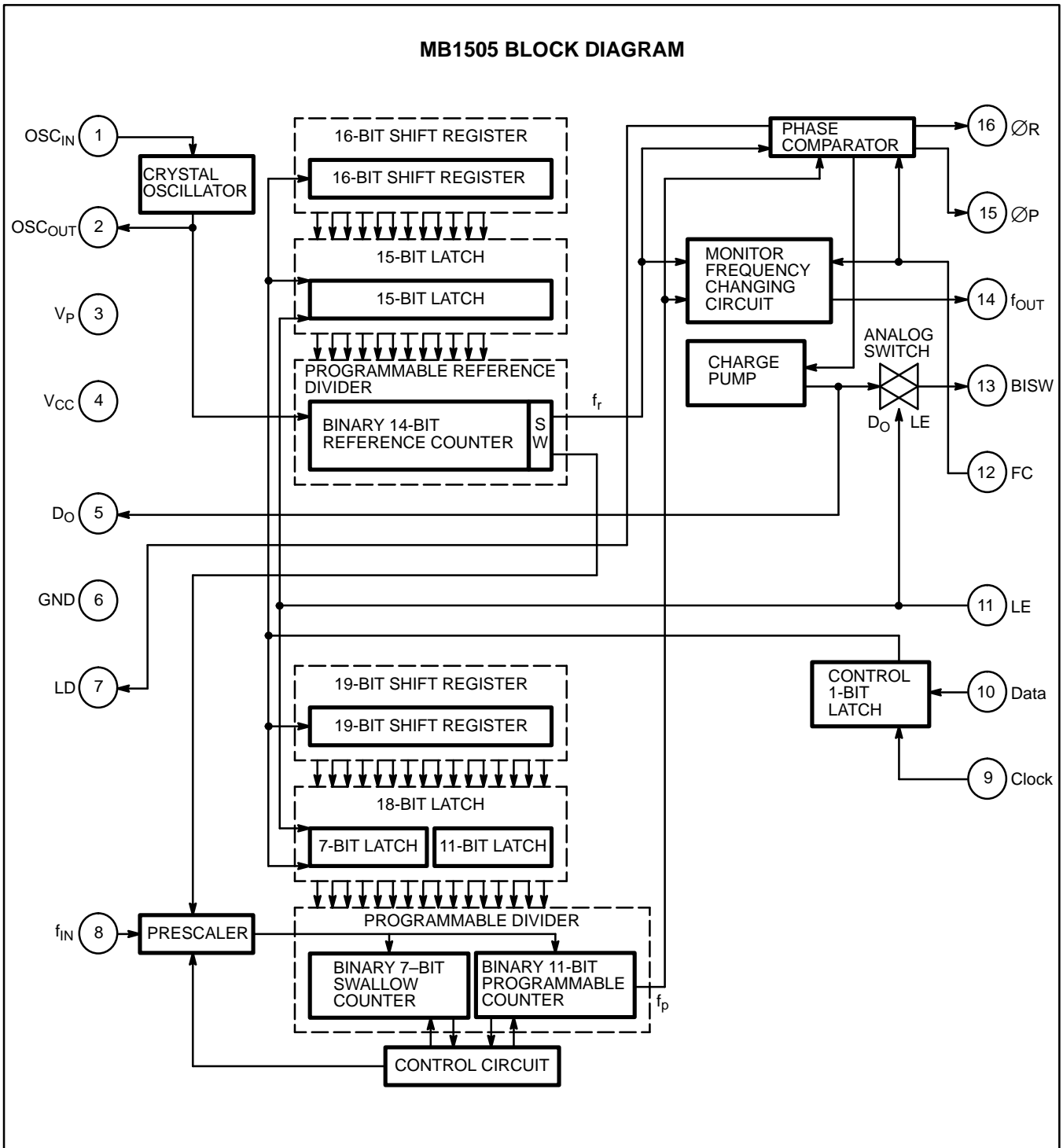
Plastic Package  
DIP-16P-M02

#### Pin Assignment



This device contains circuitry to protect the inputs against damage due to high static voltages or electric fields. However, it is advised that normal precautions be taken to avoid application of any voltage higher than maximum rated voltages to this high impedance circuit.

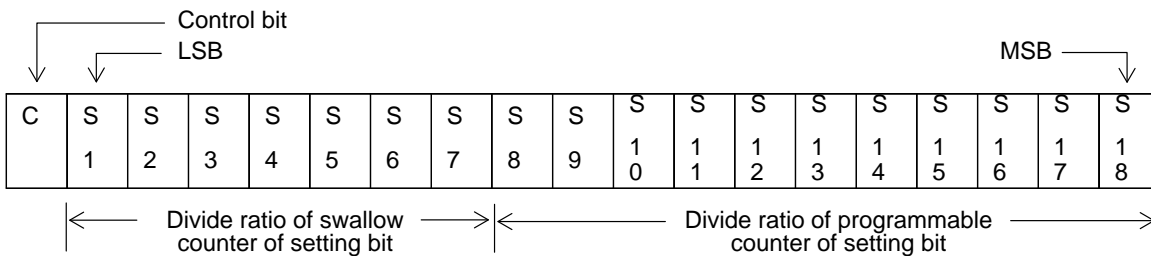
MB1505 BLOCK DIAGRAM



## PIN DESCRIPTION

Pin No.	Pin Name	I/O	Description
1 2	OSC <sub>IN</sub> OSC <sub>OUT</sub>	I O	Oscillator input. Oscillator output. A crystal is placed between OSC <sub>IN</sub> and OSC <sub>OUT</sub> .
3	V <sub>P</sub>	—	Power supply input for charge pump and analog switch.
4	V <sub>CC</sub>	—	Power supply voltage input.
5	D <sub>O</sub>	O	Charge pump output. The characteristics of charge pump is reversed depending upon FC input.
6	GND	—	Ground
7	LD	O	Phase comparator output. Normally this pin outputs high level. While the phase difference of f <sub>r</sub> and f <sub>p</sub> exists, this pin outputs low level.
8	f <sub>IN</sub>	I	Prescaler input. The connection with an external VCO should be AC connection.
9	Clock	I	Clock input for 19-bit shift register and 16-bit shift register. On rising edge of the clock shifts one bit of data into the shift registers.
10	Data	I	Binary serial data input. The last bit of the data is a control bit which specified destination of shift registers. When this bit is high level and LE is high level, the data stored in shift register is transferred to 15-bit latch. When this bit is low level and LE is high level, the data is transferred to 18-bit latch.
11	LE	I	Load enable input (with internal pull up resistor). When LE is high or open, the data stored in shift register is transferred into latch depending upon the control bit. At the time, internal charge pump output to be connected to BISW pin because internal analog switch becomes ON state.
12	FC	I	Phase select input of phase comparator (with internal pull up resistor). When FC is low level, the characteristics of charge pump, phase comparator is reversed. FC input signal is also used to control f <sub>OUT</sub> pin (test pin) output level for f <sub>r</sub> or f <sub>p</sub> .
13	BISW	O	Analog switch output. Usually BISW pin is set high-impedance state. When internal analog switch is ON (LE pin is high level), this pin outputs internal charge pump state.
14	f <sub>OUT</sub>	O	Monitor pin of phase comparator input. f <sub>OUT</sub> pin outputs either programmable reference divider output (f <sub>r</sub> ) or programmable divider output (f <sub>p</sub> ) depending upon FC pin input level.
15 16	∅P ∅R	O O	Outputs for external charge pump. The characteristics are reversed according to FC input. ∅P pin is N-channel open drain output.





**7-BIT SWALLOW COUNTER DIVIDE RATIO**

Divide Ratio A	S 7	S 6	S 5	S 4	S 3	S 2	S 1
0	0	0	0	0	0	0	0
1	0	0	0	0	0	0	1
•	•	•	•	•	•	•	•
127	1	1	1	1	1	1	1

**NOTE:** Divide ratio: 0 to 63  
S7 should be set to zero

**11-BIT PROGRAMMABLE COUNTER DIVIDE RATIO**

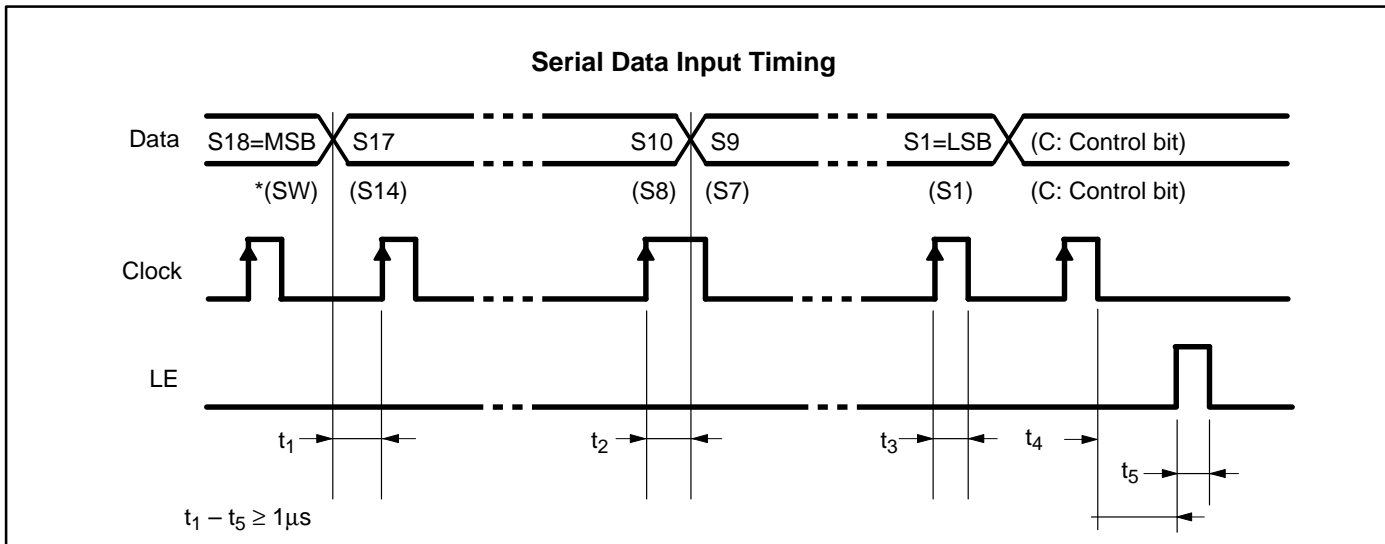
Divide Ratio N	S 8	S 7	S 6	S 5	S 4	S 3	S 2	S 1	S 0	S 9	S 8
16	0	0	0	0	0	0	1	0	0	0	1
17	0	0	0	0	0	0	1	0	0	0	1
•	•	•	•	•	•	•	•	•	•	•	•
2047	1	1	1	1	1	1	1	1	1	1	1

**NOTES:** Divide ratio less than 16 is prohibited.  
Divide ratio: 16 to 2047  
S1 to S7: Swallow counter divide ratio setting bit. (0 to 63)  
S8 to S18: Programmable counter divide ratio setting bit. (16 to 2047)  
C: Control bit (sets as low level).  
Data is input from MSB side.

**PULSE SWALLOW FUNCTION**

$$f_{VCO} = [(PxN)+A] \times f_{osc} \div R$$

- f<sub>VCO</sub>: Output frequency of external voltage controlled oscillator (VCO)
- N: Preset divide ratio of binary 11-bit programmable counter (16 to 2047)
- A: Preset divide ratio of the external reference frequency oscillator (0 ≤ A ≤ 63, A < N)
- f<sub>osc</sub>: Output frequency of the external reference frequency oscillator
- R: Preset divide ratio of binary 14-bit programmable reference counter (8 to 16383)
- P: Preset modulus of external dual modulus prescaler (32 or 64)



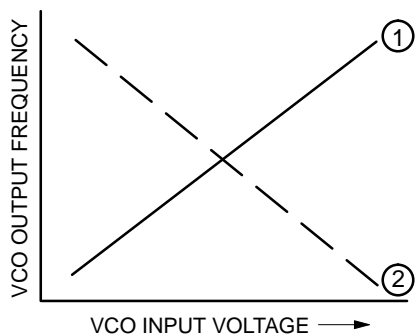
**NOTES:** Parenthesis data is used for setting divide ratio of programmable reference divider.  
On rising edge of clock shifts one bit of data in the shift register.

### PHASE CHARACTERISTICS

FC pin is provided to change phase characteristics of phase comparator. Characteristics of internal charge pump output level ( $D_o$ ), phase comparator output level ( $\phi R, \phi P$ ) are reversed depending upon FC pin input level. Also, monitor pin ( $f_{OUT}$ ) output level of phase comparator is controlled by FC pin input level. The relation between outputs ( $D_o, \phi R, \phi P$ ) and FC input level are shown below.

	FC=H or open				FC=L			
	$D_o$	$\phi R$	$\phi P$	$f_{OUT}$	$D_o$	$\phi R$	$\phi P$	$f_{OUT}$
$f_r > f_p$	H	L	L	( $f_r$ )	L	H	Z	( $f_p$ )
$f_r < f_p$	L	H	Z	( $f_r$ )	H	L	L	( $f_p$ )
$f_r = f_p$	Z	L	Z	( $f_r$ )	Z	L	Z	( $f_p$ )

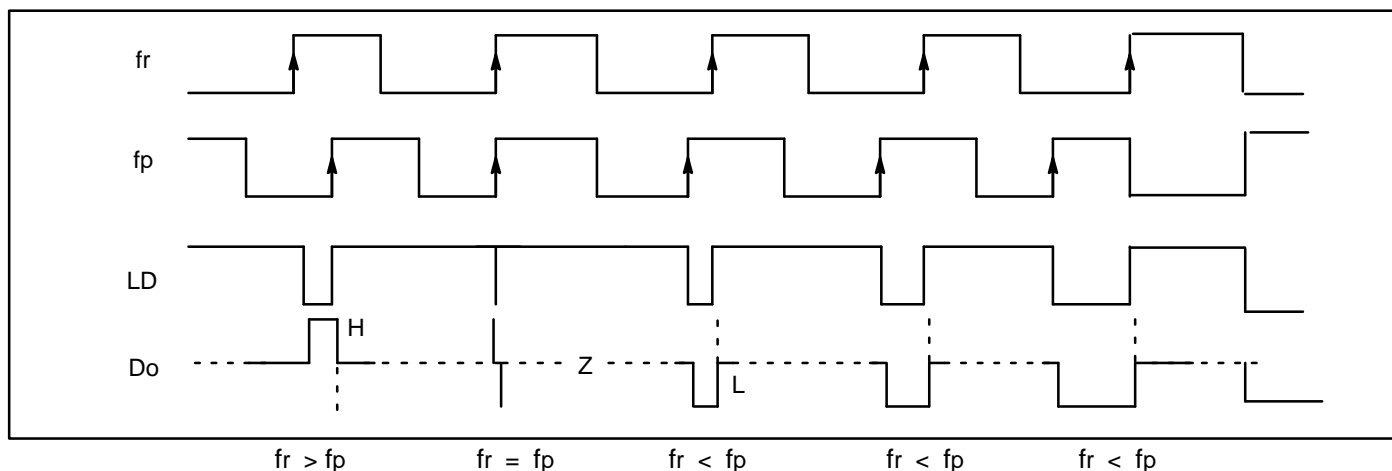
**Note:** Z = (High impedance)



### VCO CHARACTERISTICS

Depending upon VCO characteristics, FC pin should be set accordingly:

- When VCO characteristics are like 1, FC should be set High or open circuit;
- When VCO characteristics are like 2, FC should be set Low.



**NOTES:** Phase difference detection range:  $-2\pi$  to  $+2\pi$   
 Spike appearance depends on charge pump characteristics. Also, the spike is output in order to diminish dead band.  
 When  $f_r > f_p$  or  $f_r < f_p$ , spike might not appear depending upon charge pump characteristics.

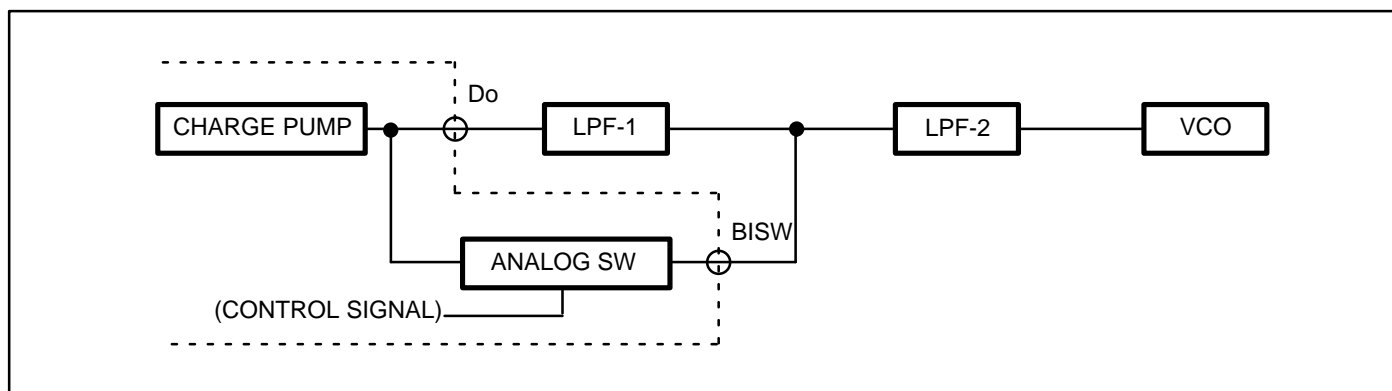
### ANALOG SWITCH

ON/OFF of analog switch is controlled by LE input signal. When the analog switch is ON, internal charge pump output ( $D_o$ ) to be connected to BISW pin. When the analog switch is OFF, BISW pin is set to high-impedance state.

LE=H (Changing the divide ratio of internal prescaler) : Analog switch=ON

LE=L (Normal operating mode): Analog switch=OFF

LPF time constant is decreased in order to insert a analog switch between LPF1 and LPF2 when channel of PLL is changing. Thus, lock up time is decreased, that is, fast lock up time is achieved.



## RECOMMENDED OPERATING CONDITIONS

Parameter	Symbol	Value			Unit
		Min	Typ	Max	
Power Supply Voltage	$V_{CC}$	4.5	5.0	5.5	V
	$V_P$	$V_{CC}$	$V_P$	8.0	V
Input Voltage	$V_I$	GND		$V_{CC}$	V
Operating Temperature	$T_A$	-40		85	°C

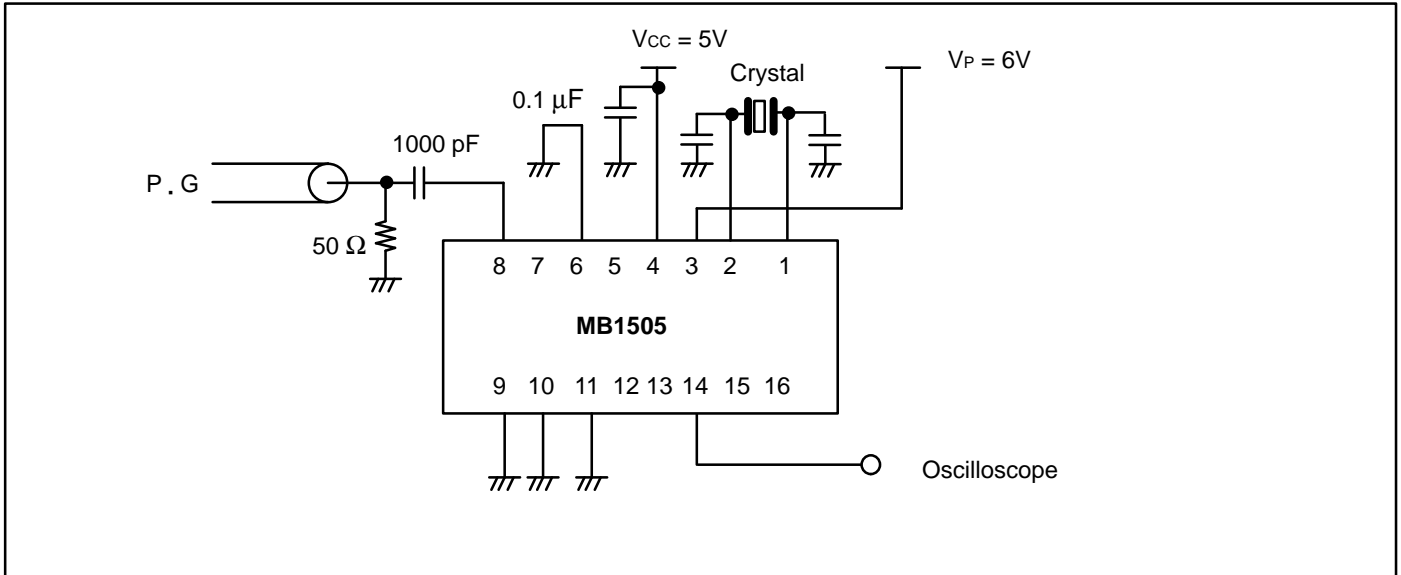
## ELECTRICAL CHARACTERISTICS

Parameter		Symbol	Condition	Value			Unit
				Min	Typ	Max	
Power Supply Current		$I_{CC}$	Note 1		6.0		mA
Operating Frequency	$f_{in}$	$f_{in}$	Note2	10		600	MHz
	OSC <sub>IN</sub>	$f_{OSC}$			12	20	MHz
Input Sensitivity	$f_{in}$	$P_{fin}$		-4		6	dBm
	OSC <sub>IN</sub>	$V_{OSC}$		0.5			V <sub>PP</sub>
High-level Input Voltage	Except $f_{in}$ and OSC <sub>IN</sub>	$V_{IN}$		$V_{CC} \times 0.7$			V
Low-level Input Voltage		$V_{IL}$				$V_{CC} \times 0.3$	V
High-level Input Current	Data Clock	$I_{IH}$			1.0		μA
Low-level Input Current		$I_{IL}$			-1.0		μA
Input Current	OSC <sub>IN</sub>	$I_{OSC}$			±50		μA
	LE, FC	$I_{LE}$			-60		μA
High-level Output Current	Except D <sub>O</sub> and OSC- OUT	$V_{OH}$	$V_{CC} = 5V$	4.4			V
Low-level Output Current		$V_{OL}$				0.4	V
N-channel Open Drain Cutoff Current	D <sub>O</sub> , ØP	$I_{OFF}$	$V_P = V_{CC}$ to 8V $V_{OOP} = GND$ to 8V			1.1	μA
Output Current	Except D <sub>O</sub> and OSC- OUT	$I_{OH}$		-1.0			mA
		$I_{OL}$		1.0			mA
Analog Switch On Resistor		$R_{ON}$			25		Ω

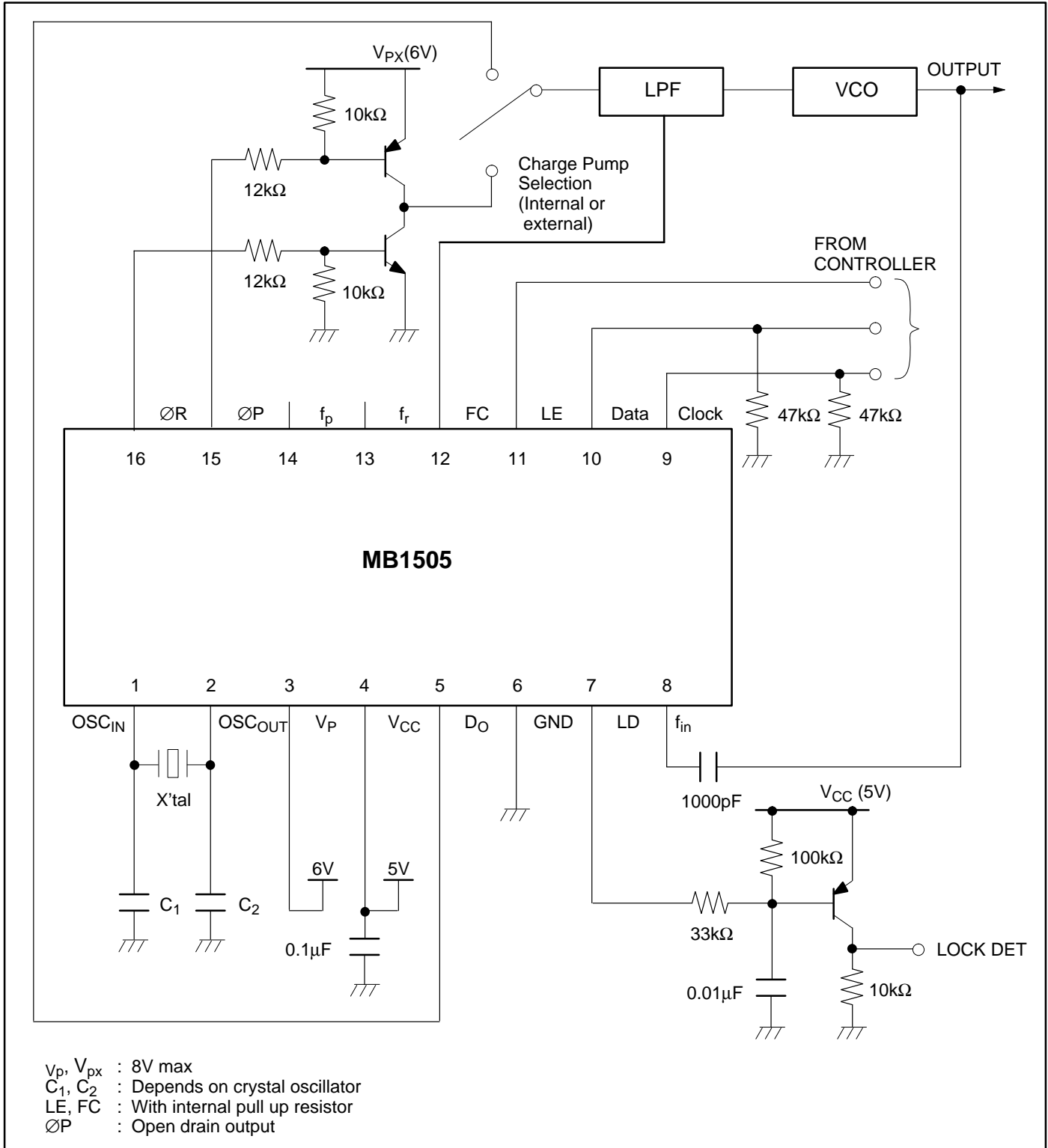
**NOTE:** 1:  $f_{in} = 600\text{MHz}$ ,  $OSC_{IN} = 12\text{MHz}$ ,  $V_{CC} = 5V$ . Inputs are grounded and outputs are open.  
2: AC coupling. Minimum operating frequency is measured when a capacitor 1000pF is connected.



# TEST CIRCUIT

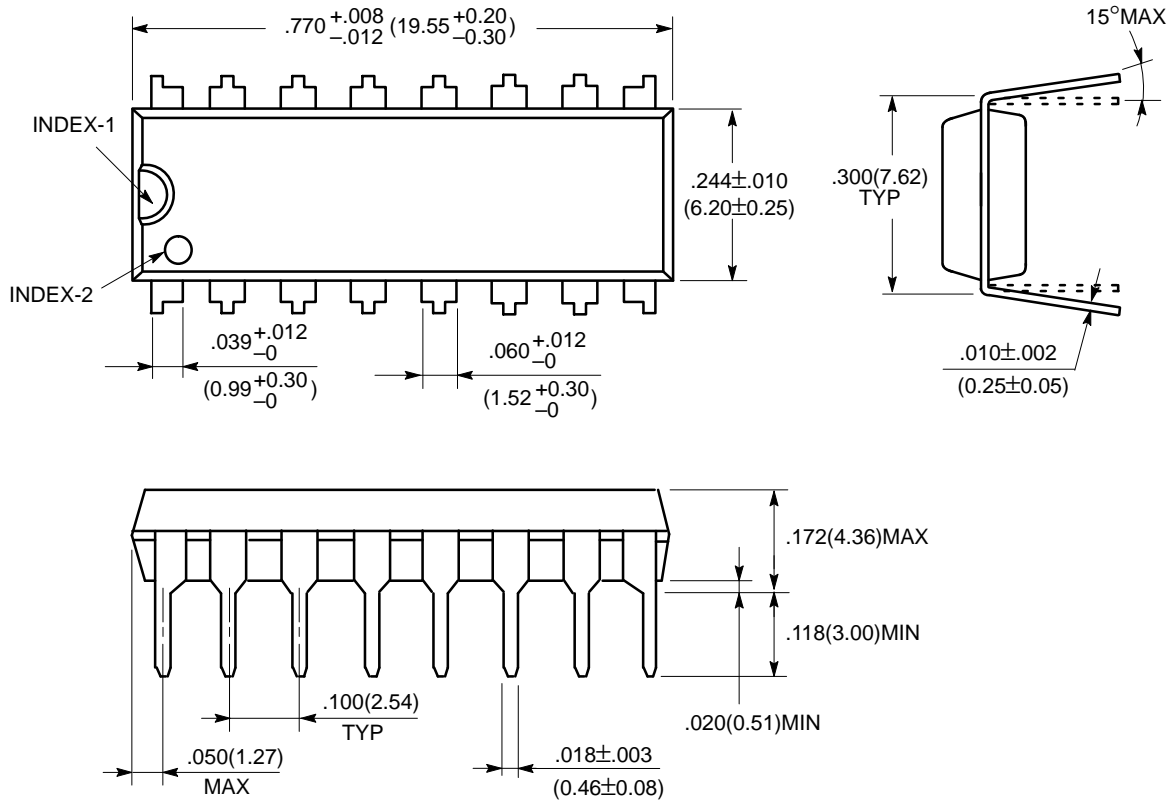


# TYPICAL APPLICATION EXAMPLE



# PACKAGE DIMENSIONS

**16-Lead Plastic Dual In-Line Package  
(Case No.: DIP-16P-M04)**

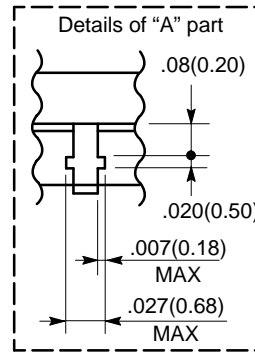
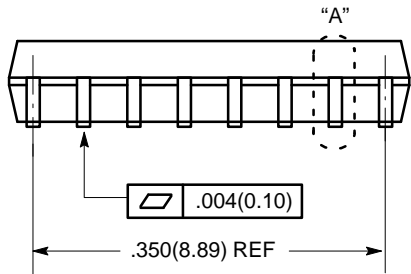
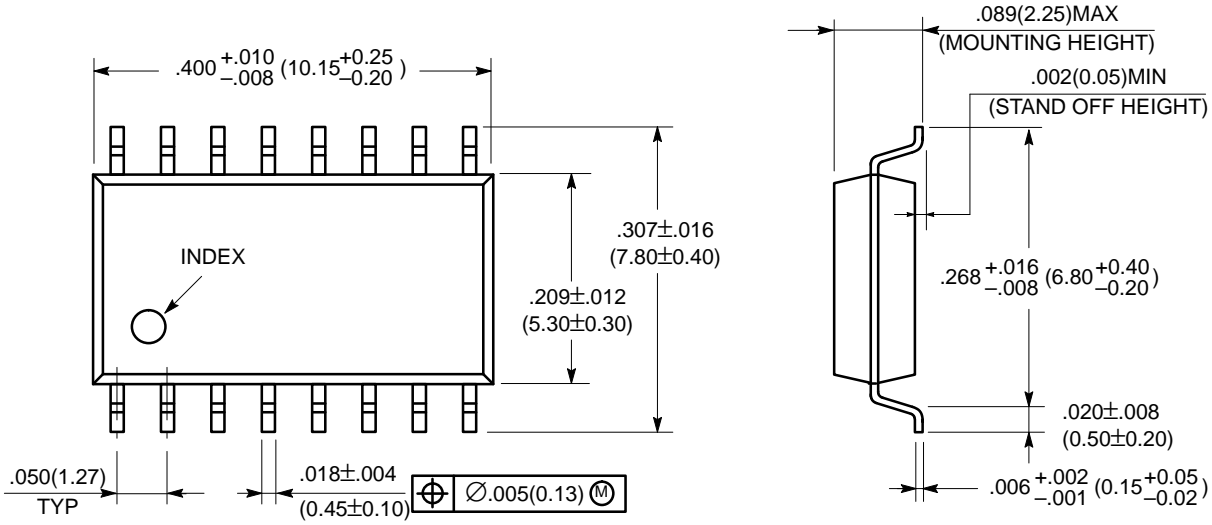


©1991 FUJITSU LIMITED D16033S-2C

Dimensions in  
inches (millimeters)

# PACKAGE DIMENSIONS

**16-Lead Plastic Flat Package  
(Case No.: FPT-16P-M02)**



©1988 FUJITSU LIMITED F16005S-4C

Dimensions in inches (millimeters)

All Rights Reserved.

Circuit diagrams utilizing Fujitsu products are included as a means of illustrating typical semiconductor applications. Complete Information sufficient for construction purposes is not necessarily given.

The information contained in this document has been carefully checked and is believed to be reliable. However, Fujitsu assumes no responsibility for inaccuracies.

The information contained in this document does not convey any license under the copyrights, patent rights or trademarks claimed and owned by Fujitsu.

Fujitsu reserves the right to change products or specifications without notice.

No part of this publication may be copied or reproduced in any form or by any means, or transferred to any third party without prior written consent of Fujitsu.

## **FUJITSU LIMITED**

For further information, please contact:

### **Japan**

FUJITSU LIMITED  
Semiconductor Marketing  
Furukawa Sogo Bldg.  
6-1, Marunouchi 2-chome  
Chiyoda-ku, Tokyo 100  
Japan  
Tel: (03) 3216-3211  
Telex: 781-2224361  
FAX: (03) 3216-9771

### **North and South America**

FUJITSU MICROELECTRONICS, INC.  
Semiconductor Division  
3545 North First Street  
San Jose, CA 95134-1804 USA  
Tel: (408) 922-9000  
FAX: (408) 432-9044

### **Europe**

FUJITSU MIKROELEKTRONIK GmbH  
Arabella Centre 9.0G  
Lyoner Strasse 44-48  
D-6000 Frankfurt 71  
F.R. Germany  
Tel: (069) 66320  
Telex: 411963  
FAX: (069) 6632122

### **Asia**

FUJITSU MICROELECTRONICS ASIA PTE LIMITED  
51 Bras Basah Road  
Plaza by the Park  
#06-04/07  
Singapore 0718  
Tel: 336-1600  
Telex: 55373  
FAX: 336-1609