

T-600

MULTI STANDARD PROGRAMMABLE
27 MHz CB MOBILE TRANSCEIVER

OWNER'S MANUAL



THUNDERPOLE 

Declaration of Conformity

EC Certificate of Conformity
(to EC Directive 2014/53)

DECLARATION OF CONFORMITY

With the present declaration, we certify that the following products :

THUNDERPOLE T-600

comply with all the technical regulations applicable to the above mentioned products
in accordance with the EC Directive 2014/53/EU.

Type of product : CB Transceiver

Details of applied standards : EN 60950-1: 2006 + A11: 2009 + A1: 2010
+ A12: 2011 + A2: 2013
EN 62311: 2008
EN 301 489-1 V2.2.0 (2017-03)
EN 300 433 V2.1.1 (2016-05)

Manufacturer : **THUNDERPOLE**
1 Hartburn Close, Crow Lane Ind Est
Northampton, NN3 9UE, England
Tel. +44 1604 402403
E-mail : mail@thunderpole.co.uk

Contact Reference : Alan Crumpton
Tel. +44 1604 402403
E-mail : mail@thunderpole.co.uk

Northampton, 30/04/2021 Mr. Alan Crumpton
(General Manager)



NOTICE!

It is recommended to carefully read this owner's manual before using the product. This will also help the user to prevent using the radio in violation of the regulations valid in the country where the product is used, as well as to avoid any possible interference with other services.



RoHS
COMPLIANT

Index - Introduction - Contents of the box

Index - Introduction - Contents of the box	1
Controls and operation	2 - 4
Installation	5
Frequency band selection / table	6
User Information	7
Specifications	8

NOTICE !

Before using this transceiver, please check it has been programmed on the correct frequency band and operating mode allowed by the regulations valid in the country where the product is used. If not, please change the frequency band(see page 6).

NOTE: This transceiver is factory pre-programmed on the UK frequency band (UK 40CH FM 4W).

Congratulations!

Congratulations for selecting and purchasing a quality THUNDERPOLE product.

This transceiver includes a number of advanced functions and systems, therefore it is important to carefully read this owner's manual before using the radio. With the correct use of this product in accordance with the operating method described in this manual, the product will offer trouble free use for many years.

THUNDERPOLE is constantly engaged in developing and providing quality products meeting the customers requirements, however any suggestions or comments on this product that might help us to improve quality are warmly welcome.

The THUNDERPOLE T-600 is a CB transceiver using advanced hardware and software design, it includes a special multi-standard programmable circuit, which allows you to program the frequency band and operating mode in compliance with the regulations valid in the various European countries. Therefore this product can be used in any country of the European Community.

The radio is delivered factory pre-programmed on the UK frequency band (UK 40CH FM 4W).

Contents of the box

Please check that all the following items are contained in the box :

- Main unit (transceiver)
- DC power cord with fuse holder and fuse
- Condenser microphone
- Car mounting bracket
- Microphone bracket
- Owner's manual

Controls and operation

Front Panel



1. Microphone Connector

Connect the microphone to this connector and insert it until it clicks securely in.

2. SQ (Squelch) Button

A short press of this button allows you to change the squelch level using the Up / Down buttons (5) or (14) and (16) on the microphone.

0 = Squelch off (hear all signals and noise)

0.1 = Lowest Squelch level (hear weak signals through to strong signals)

2.8 = Highest Squelch level (hear only the strongest signals)

A long press of this button will switch the 'Auto Squelch' function on (or off), this automatically silences receiver noise, avoiding squelch manual adjustment, when switched on 'AQ' will be displayed on the screen and there are 9 auto squelch levels to choose from. We suggest to start with A.1 and if you hear noise move up a level, until you hear only silence or transmissions:

A.1 = Lowest Auto Squelch level (hear weak signals but also maybe noise)

A.9 = Highest Auto Squelch level (hear no noise but only the strongest signals)

3. Scan Button

A short press of this button will enter SCAN mode and the radio will scan until a transmission is found.

4. Channel 9 / 19 Button

A short press of this button will change the channel to 9, short press again for channel 19, then again to go back to your chosen channel.

A long press of this button will enter LOCK mode and LC will be displayed on the screen temporarily, all button presses will be invalid whilst in this mode. To exit LOCK mode long press the button again

Controls and operation

5. Up / Down Buttons

These buttons change the channel up or down by 1 channel, you can also change the squelch level by first short pressing the SQ button.

6. On / Off / Volume Control

Use this knob to switch radio ON and OFF, as well as to adjust the receiver volume to the desired level.

7. Mode Button

A short press of this button whilst the radio is programmed to the UK frequency band will change the band between UK (FM), EU (FM) and EU (AM) frequency bands. If the radio is programmed to a different band that allows AM/FM operation, this button will just alternate between AM and FM mode.

A long press of this button will enter the band selection mode and the frequency band can be changed using the Up and Down Buttons (5). To select a band long press again, or short press the PTT button.

A table of frequency bands can be found on page 6.

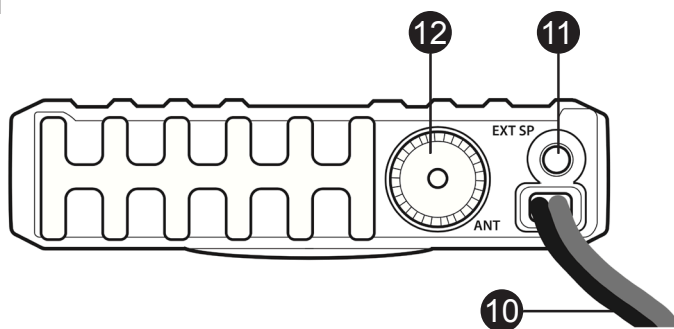
8. RX /TX Signal Meter

6-bar LED display to indicate the strength of the received signal, or the power of the outgoing signal.

9. CHANNEL DISPLAY

The display shows the channel number.

Rear Panel



10. 13.8VDC POWER CORD

Power cord input that can be connected to a 13.8v supply in your vehicle or suitable DC power supply unit.

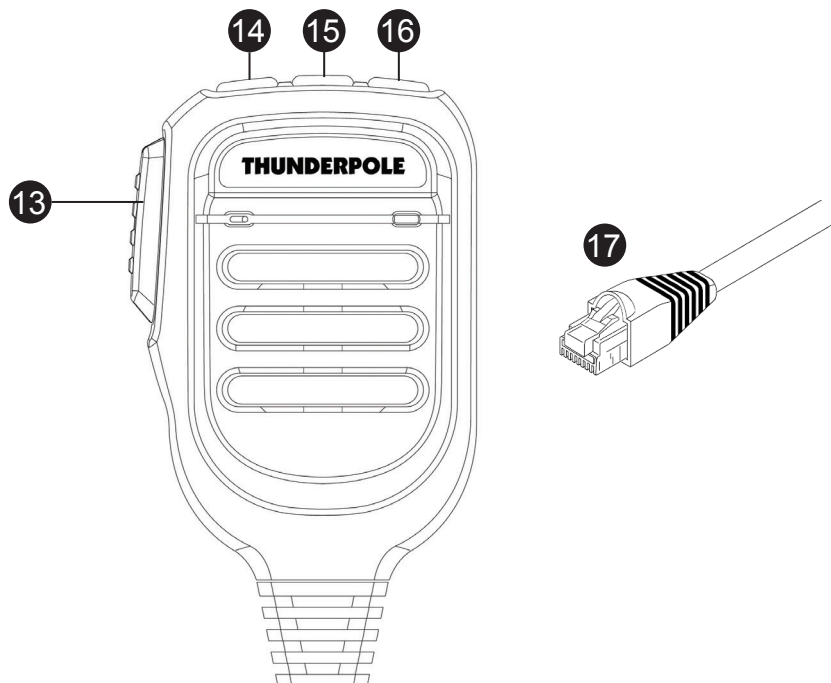
11. EXT (External Speaker) Jack

This jack is for connecting an external speaker (optional).

12. ANTENNA Connector

Antenna connector. Refer to the section INSTALLATION OF THE ANTENNA (Page 5).

Microphone



13. PTT (Push-to-Talk) Button

Transmitter button. Press the PTT button to transmit and release it to return to the receive mode.

14. Up Button

This button allows you to change the operating channel upwards (or the squelch level, see page 2.)

15. ASQ Button

This button has the same functionality as the SQ (2) button on the radio, see page 2 for more details.

16. Down Button

This button allows you to change the operating channel downwards (or the squelch level, see page 2.)

17. MICROPHONE Plug

RJ microphone connector. Connect it to the microphone connector (1) on the front panel of the radio.

Installation

Installation

Before installing the main unit in the vehicle, check and select the most convenient location, in order that the radio will be easy to reach and comfortable to operate, without obstructing any of the vehicles controls. Use the supplied bracket and hardware to install the radio.

Installation of the Main Unit

Before connecting the radio to the vehicles electric system, make sure that radio is switched off, with the OFF/VOLUME (6) knob completely turned counter clockwise at OFF position. The DC power cable (10) of the radio is complete with a fuse holder with fuse located on the red positive (+) wire. Connect the DC power cable to the vehicles electric system, with special attention to correct polarity. Connect the red wire to the positive (+) pole and the black wire to the negative (-) pole of the vehicles electric system. Make sure that the wires and terminals are firmly and stably connected, in order to prevent cables from disconnecting or causing short circuits.

Installation of the Antenna

A specific 27MHz CB antenna must be used. Please make sure to carefully install the antenna mount on the vehicle with a good connection to ground. Before connecting the antenna to the radio, it is necessary to check the correct operation of the antenna with low standing wave ratio (S.W.R.), using an SWR meter. If not, the transmitter circuit of the radio could be damaged. The antenna should be installed on the highest part of the vehicle, free from obstacles and as far away as possible from any source of electric or electromagnetic noise. The RF antenna coaxial cable must not be damaged or pressed on its way between antenna and the radio. The correct operation of the antenna and the low standing wave ratio (S.W.R.) must be checked periodically. Connect the RF antenna coaxial cable to the antenna connector (12), located on the rear side of the radio.

Checking Operation of the Radio

Once the radio has been connected to the vehicles electric system and to the antenna, the correct operation of the system may be checked. Please proceed as follows :

- 1) Check that the power cable is correctly connected.
- 2) Check that the RF antenna coaxial cable is correctly connected.
- 3) Connect the microphone to the connector (1), located on the front side of the radio.
- 4) Turn the radio on using the ON/OFF/VOL (6) knob and adjust the volume to the desired level.
- 5) Select the desired channel, using the channel selector buttons (5, or 14 and 16 on mic).
- 6) Set the SQUELCH level using SQ button (2), to cut the background noise.
- 7) Press the PTT (13) key to transmit and release it to receive.

Frequency band selection / table

Frequency Band Selection / Programming

This Thunderpole T-600 CB radio must be programmed and exclusively used on a frequency band allowed in the country where the product is used (see below). When radio is switched ON, the current programmed frequency band code will be displayed for approx. 1 second. To program a different frequency band, proceed as follows :

- 1) Long press the Mode button (7) until the frequency band ID is displayed on the screen
- 2) Use the Up / Down buttons (5) to choose the frequency band required (see table below)
- 3) To select the band long press the Mode button (7) again

UK/CE Channel Selection (Frequency Band “U”)

If the UK Frequency band has been selected, all 80 channels available for UK use can be accessed by short pressing the 'Mode' button (7), this will change the band between UK(FM) , EU(FM) and EU(AM) frequency bands. If the radio is programmed to a different band that allows AM/FM operation, this button will just alternate between AM and FM mode.

Frequency Band Table

7 programmable frequency bands are available, as per the below table :

FREQUENCY BAND ID CODE	COUNTRY	SPECIFICATIONS (Channels, Operating Modes, TX Power)
UK	UK	40 FM UK CHANNELS 40 FM / AM EU CHANNELS
EU	EUROPE	40CH FM 4W - 40CH AM 4W
CE	EUROPE	40CH FM 4W
PL	POLAND	40CH FM 4W - 40CH AM 4W
I	ITALY	40CH FM 4W - 40CH AM 4W
I2	ITALY	34CH AM / FM 4W
DE	GERMANY	40CH FM / AM 4W 80CH FM 4W
IN	EUROPE	27 CH AM / FM 4 W

User information

Attention ! This radio has been pre-programmed on the UK frequency band (UK 40CH FM 4W) for use in the UK only. For use in other countries, please refer to the frequency band table on page 6.

User Information

in accordance with art. 13 of the Legislative Decree of 25th July 2005, no. 15 "Implementation of Directives 2002/95/EC, 2002/96/EC and 2003/108/EC, relative to reduction of the use of hazardous substances in electrical and electronic equipment, in addition to waste disposal".



The crossed bin symbol shown on the equipment indicates that at the end of its working life the product must be collected separately from other waste.

The user must therefore take the above equipment to the appropriate differentiated collection centres for electronic and electro technical waste, or return it to the dealer when purchasing a new appliance of equivalent type, in a ratio of one to one.

Appropriate differentiated waste collection for subsequent recycling, treatment and environment-friendly disposal of the discarded equipment helps to prevent possible negative environmental and health effects and encourages recycling of the component materials of the equipment.

Illegal disposal of the product by the user will be punished by application of the administrative fines provided for by the legislative decree no. 22/1997 (article 50 and following of the legislative decree no. 22/1997).

IMPORTANT !

Never attempt to open the cabinet of the transceiver. No user serviceable parts inside. Internal modifications or tampering may cause damage to the product, modifying its technical specifications will void all warranty rights.

If service or repair is required, please go to an authorised service centre or specialised technician.

Specifications

General

Channels	40 AM / FM (refer to the frequency bands table at page 6)
Frequency range	26.565 - 27.99125 MHz
Operating temperature	-20°/+60°C
DC input voltage	13.8Vdc \pm 15%
Size	102 (W) x 27 (H) x 110 (D) mm
Weight	385 gr.

Receiver

Sensitivity	better than 0.25uv@12db
Audio output	1W at 8 ohm
Image rejection	70dB
Adjacent channel	60dB
Frequency Response	300-3000Hz

Transmitter

Frequency error	\pm 300Hz
Maximum RF power	4W at 13.8Vdc
Spurious transmissions	< 4nW (-54 dBm)
Adjacent channel rejection	60dB
Modulation	80% to 90% (AM)
Deviation	1.7KHz - 2.0 KHz (FM)
Impedance	50 ohm unbalanced
Current drain	2A Max

THUNDERPOLE

