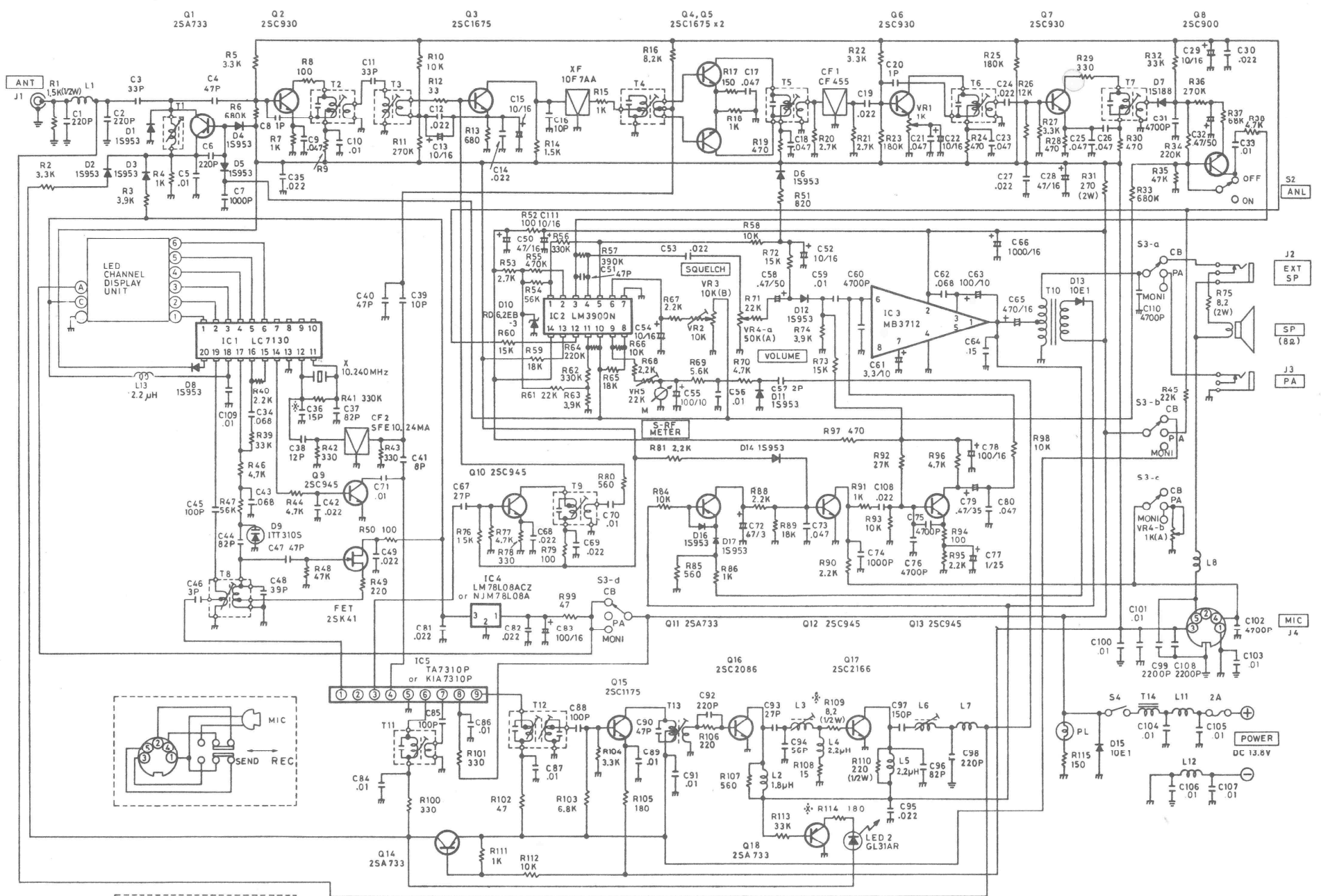


# SCHEMATIC DIAGRAM



NOTE (1) ALL RESISTANCE VALUES ARE INDICATED IN "OHM" (K=10<sup>3</sup>OHM, M=10<sup>6</sup>OHM)  
 (2) ALL CAPACITANCE VALUES ARE INDICATED IN "µF" (P=10<sup>6</sup>µF)  
 (3) ✕ MAY VARY FROM UNIT TO UNIT FOR BEST PERFORMANCE.

