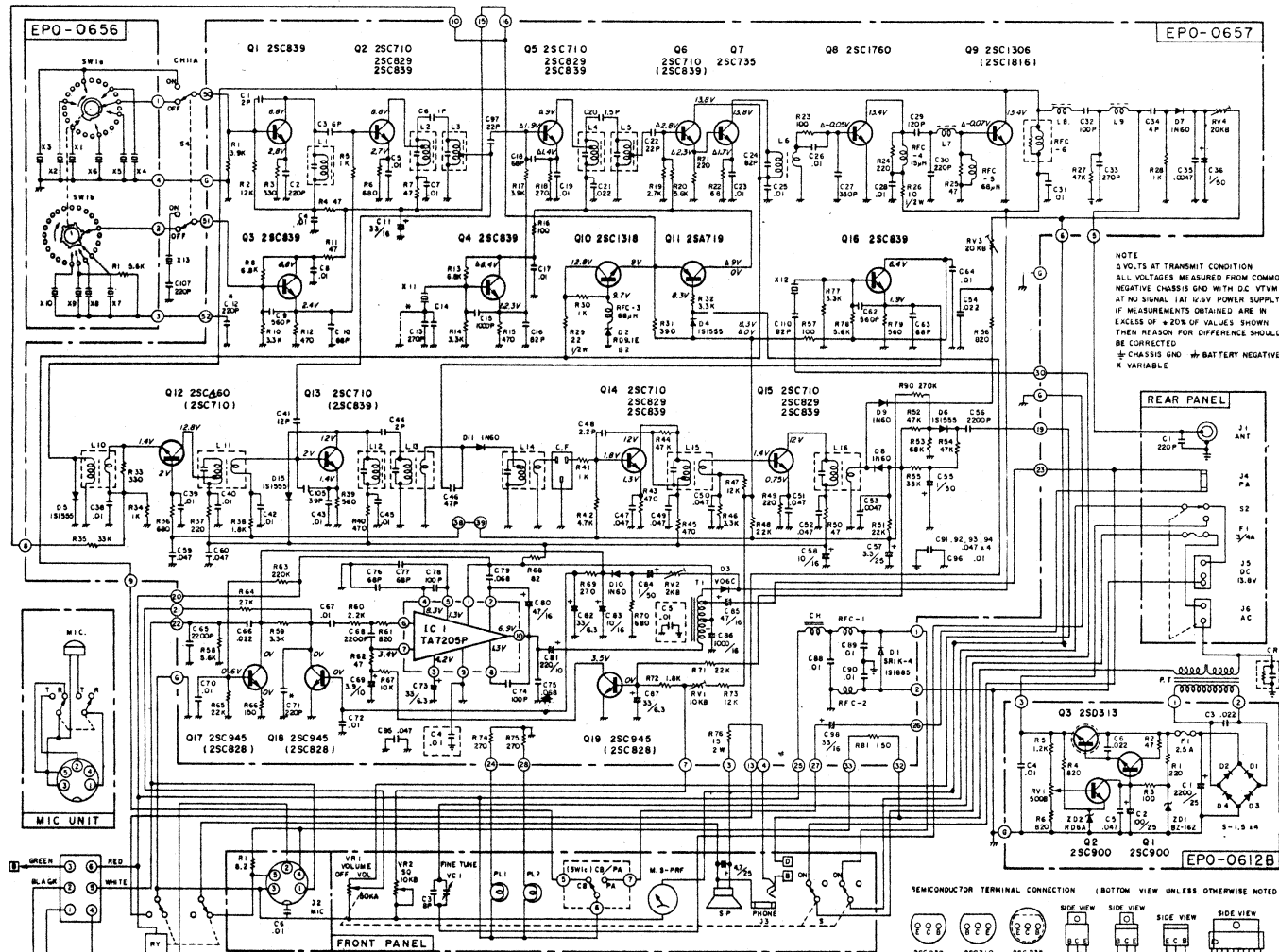


COLONEL 1000 by LAFARADIO

SCHEMATIC DIAGRAM

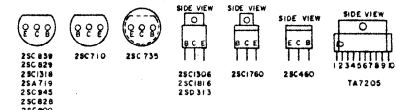
1 Bru'd
 2 Purple
 3 Red
 4 Yellow

 C1 Bru'd
 2 White
 3 Black
 4 Red
 5 Red



NOTE:
 0 VOLTS AT TRANSMIT CONDITION
 ALL VOLTAGES MEASURED FROM COMMON
 NEGATIVE CHASSIS GND WITH DC VTVM
 AT NO SIGNAL (AT 10.5V POWER SUPPLY)
 IF MEASUREMENTS OBTAINED ARE IN
 EXCESS OF ±20% OF VALUES SHOWN
 THEN REASON FOR DIFFERENCE SHOULD
 BE CORRECTED
 @ CHASSIS GND ← BATTERY NEGATIVE
 X VARIABLE

SEMICONDUCTOR TERMINAL CONNECTION (BOTTOM VIEW UNLESS OTHERWISE NOTED)



3X11	33.280MHz	3X17	14.950MHz
323.340	8	14.960	
323.380	9	14.970	
423.440	10	14.980	
323.490	11	11.1275	
623.540	12	11.1700	

