

COBRA 146GTL
(PRELIMINARY)
SERVICE MANUAL

REPLACEMENT PARTS LIST FOR MODEL C-146GTL

<u>CIRCUIT SYMBOL</u>	<u>DESCRIPTION</u>	<u>DYNASCAN PART NUMBER</u>
IC 1	Integrated circuit, TA75902P	307-248-9-001
IC 2	I.C., uPD2824C	307-248-9-002
IC 3	I.C., AN612	307-143-9-002
IC 4	I.C., uPC1182H	307-248-9-003
IC 5	I.C., SO42P	307-143-9-004
TR 4, 5, 7, 8, 9, 10, 11, 18, 24, 25, 27, 29, 30, 32, 34, 36, 42, 45, 46	Transistor, 2SC945A-Q	176-062-9-001
TR 12, 14	Transistor, 2SC1674-L	176-081-9-001
TR 1, 2, 13, 15, 16, 19, 20, 21, 22, 23, 37	Transistor, 2SC1675-L	176-065-9-001
TR 3, 17, 41	Transistor, 2SC1730-L	176-073-9-001
TR 39	Transistor, 2SC2166-C	176-108-9-001
TR 38	Transistor, 2SC1969-B	176-087-9-002
TR 40	Transistor, 2SC2086-D	176-108-9-002
TR 31, 33, 43	Transistor, 2SB525-C	177-045-9-001
TR 35	Transistor, 2SA473-0	177-045-9-002
TR 44	Transistor, 2SA1012-0	177-045-9-003
TR 6, 28	Transistor, 2SA733-P	177-020-9-001
TR 26	Transistor, 2SC1312-F	176-108-9-003
D 3, 4, 6, 7, 8, 9, 12, 15, 16, 17, 18, 19, 20, 21, 22, 23, 24, 26, 27, 28, 29, 31, 32, 34, 35, 36, 37, 38, 39, 40, 41, 42, 43, 45, 46, 47, 48, 51, 52, 53, 56, 66, 70	Diode, 1S2075K	151-028-9-001
D 1, 2, 5, 10, 11	Diode, 1N60	150-001-9-005
D 13, 14	Diode, MC301	151-072-9-001
D 501	Diode, 1N4003	151-083-9-001
D 25, 30	Diode, Vari-cap, 1S2688EB	154-006-9-001
D 401	Diode, LED, DR-202AL	158-036-9-001
D 402	Diode, LED, TLRG-101	158-020-9-001
D 33	Diode, Zener, RD5.1EBZ	152-098-9-001
D 50	Diode, Zener, RD7.5EBZ	152-097-9-001

CIRCUIT SYMBOLDESCRIPTIONDYNASCAN PART NUMBER

VR 7	Res., Semi-fixed, EV-182 100K B	008-372-9-003
VR 2	Res., Semi-fixed, EV-182 200K B	008-404-9-002
FL 1	Filter, Crystal, FL-090	143-012-9-001
S 1	Switch, Rotary, Channel, SR-216	083-243-9-001
S 402	Switch, Rotary, Mode, SR-297	083-267-9-001
S 403	Switch, Slide, PA-CB, SW-250	084-095-9-001
S 404	Switch, Slide, Off-ANL-NB, SW-252	084-095-9-002
VR 404	Res., Variable, RF Gain, EV-498 1K B	008-404-9-003
VR 403	Res., Var., Voice Lock, EV-500 20K B	008-404-9-004
VR 402	Res., Var., Squelch, EV-501 50K B	008-404-9-005
VR 401, S 401	Res., Var., Volume Pow Sw, EV-486 50K A	008-404-9-006
X 1	Crystal, QX-122 10.2417MHz	135-033-9-001
X 2	Crystal, QX-122 10.6975MHz	135-033-9-002
SP 501	Speaker, SP-057	580-034-9-001
M 401	Meter, MT-206	320-108-9-001
-----	Microphone	562-027-9-001
J 504	Receptacle, DC Power, JK-052	762-020-9-001
J 505	Jack, Antenna, JK-035	772-027-9-001
J 501	Jack, Microphone, JK-087	773-106-9-001
J 1, 2	Jack, Speaker, JK-089	773-086-9-001
-----	Socket, I.C., SK-032	762-024-9-001
-----	Socket, Transistor, TX/RX LED, SK-031	762-024-9-002
-----	DC Power Cord, W-070234	426-035-9-004
FC 1	Flat Cable, WF-008	426-077-9-001
FC 2	Flat Cable, WF-121	426-077-9-002
FC 3, 4	Flat Cable, WF-105	426-077-9-003
R 175	Res., Metal Film, 100 1W K	002-001-6-101
-----	Cover, top	253-091-9-001
-----	Cover, bottom	252-035-9-001
-----	Mounting Bracket, ZMC	251-353-9-001
-----	Hanger, Microphone, Ni.	741-074-9-001
-----	Washer, flat	724-047-9-001
-----	Front panel	255-202-9-001

ALIGNMENT OF TRANSMITTER SECTION

1. Equipment Required:

- a. AF Oscillator (two required)
- b. AF VTVM (Full scale: 1V DC with RF probe)
- c. DC Ammeter
- d. RF Power Meter
- e. 50 ohm load and Attenuator
- f. Oscilloscope
- g. RF VTVM
- h. Monitor Receiver or Spectrum Analyzer
- i. DC Power Supply (13.8V/3amp.)

2. Alignment Procedure:

Connect test equipment as shown below.

STEP	PRESET TO	ADJUSTMENT	PROCEDURE
1	CH : 19 PA/CB : CB MODE : USB, TX S1 and S2: OFF	VR-9	Break circuit at TP-8 and TP-7, place DC mA meter in series. Adjust for 8 mA.
2	Same as step 1	VR-8	Break circuit at TP-8 and TP-6, place DC mA meter in series. Adjust for 100 mA.
AFTER STEPS 1 AND 2, RESTORE CIRCUIT AT TP-8, TP-7 AND TP-6.			
3	Same as step 1 OSC 1 : 500Hz OSC 2 : 2400Hz S1 and S2: ON	L37 and VR-6	Set VR6 to full CW rotation. Set the core of L37 to the bottom (max. CW). Adjust the OSC1, 2 level to 30mV.
4	Same as step 3	L38,39,40 and 37.	Adjust coils for max. reading on RF VTVM. Check the power difference between CH1 and CH40. If it is over 1V on RF VTVM, readjust L37 to obtain within 1V.
5	Same as step 1 Mode : AM OSC 1 : 1kHz S1 : ON, S2: OFF	L27	Adjust level of OSC1 for 90% of modulation reading on oscilloscope, then adjust L27 for max. reading on RF VTVM.
6	Same as step 5	VR-6	Adjust VR6 for 24.5V reading on RF VTVM.
7	Same as step 1	VR-4	Adjust for min. carrier leakage for both USB and LSB on spectrum analyzer or oscilloscope.
8.	Same as step 1 Mode : AM	VR-10	Adjust for 4.0W reading on RF Power meter.
9	Same as step 8	VR-7	Adjust for 4W reading on the Transceiver's meter.

ALIGNMENT OF PLL AND CARRIER OSCILLATOR

1. Test Equipment required:

- a. Oscilloscope (DC-50MHz)
- b. Frequency Counter (0-30MHz)
- c. DC Power Supply
- d. 50 ohm load

2. Alignment Procedure;

Connect test equipment as shown below.

STEP	PRESET TO	CONNECTION	ADJUSTMENT
1	CH;19, AM,RX Voice Lock:Center	Lead of R84 (TP-4)	Adjust L-13 for max. reading on oscilloscope. (Oscilloscope in AC mode)
2	Same as step 1. CH: 40	Lead of R93 (TP-2)	Adjust L-14 for 4.5V DC reading on oscilloscope. (Oscilloscope in DC mode)
3	Same as step 1. CH: 1	Lead of R93 (TP-2)	Check that the voltage is more than 2V DC on oscilloscope.
4	Same as step 1	Lead of R105 (TP-3)	Adjust L-15 for max. reading on Oscilloscope.
5	Same as step 1	Lead of R105 (TP-3)	Adjust L-16 for 16.4900MHz.
6	Same as step 1 USB	Lead of R105 (TP-3)	Adjust L-17 for 16.4925MHz.
7	Same as step 1 LSB	Lead of R105 (TP-3)	Adjust L-18 for 16.4875MHz.
8	Same as step 1 LSB, TX	Lead of R105 (TP-3)	Adjust VR-3 for 16.4875MHz.
9	Same as step 1 AM, TX	Lead of R61 (TP-9)	Adjust L-19 for 10.6950MHz.
10	Same as step 1 USB, RX	Lead of R34 (TP-5)	Adjust L-20 for 10.6925MHz.
11	Same as step 1 LSB, RX	Lead of R34 (TP-5)	Adjust L-21 for 10.6975MHz.

TX

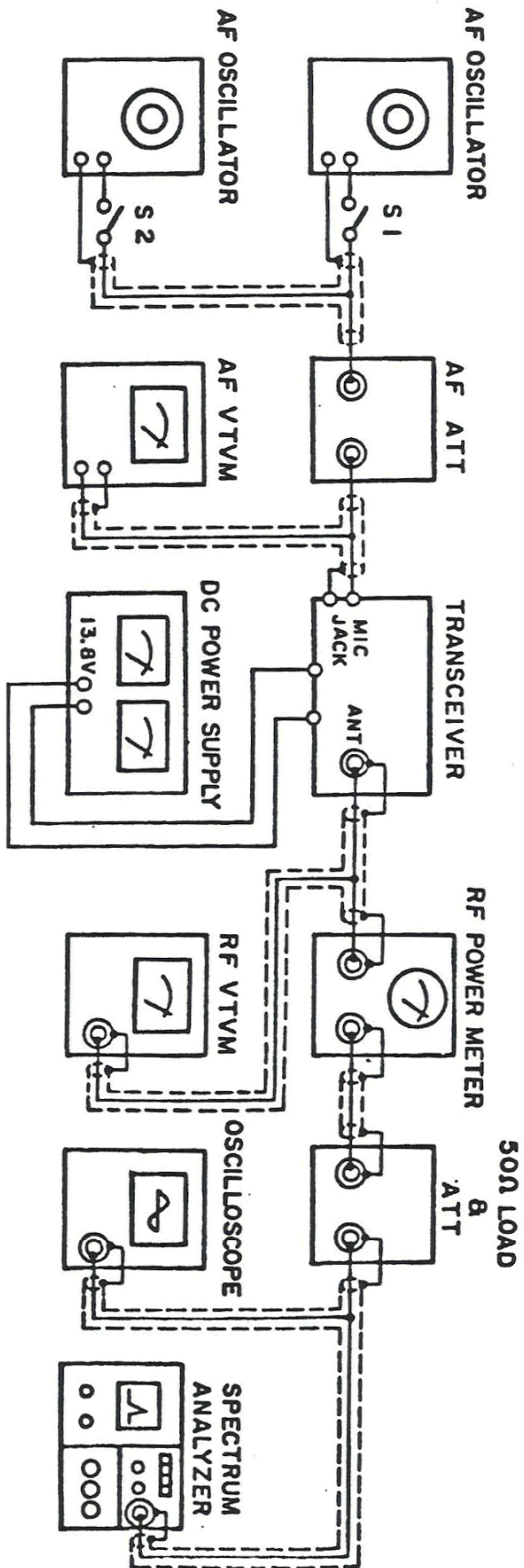
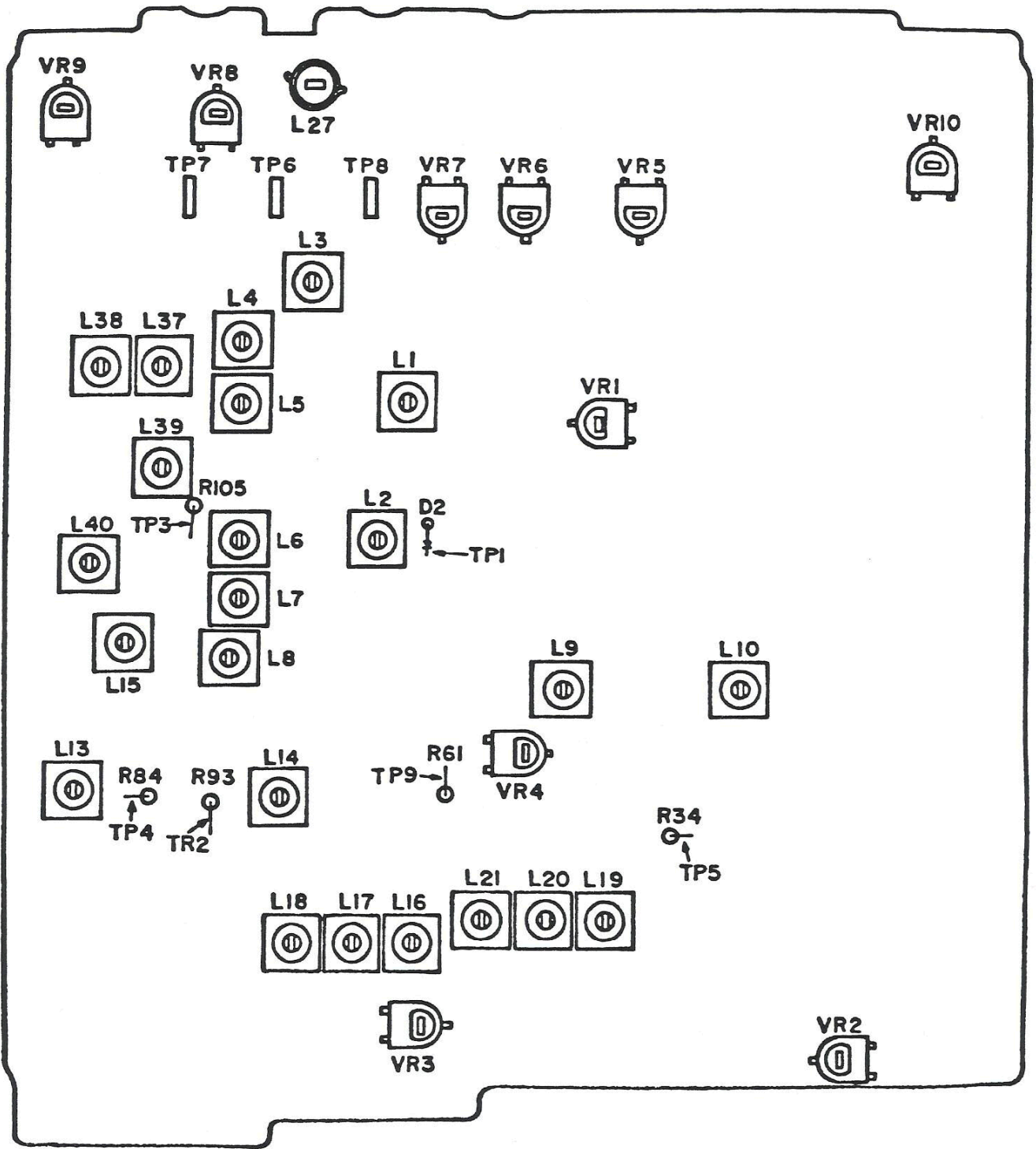


Fig D1



4) Transmitting Frequency Calculation

For an example , when the unit is operated on channel No. 18 the transmitting frequency is calculated as shown in the following table for each mode.

	AM mode	LSB mode	USB mode
N	112	112	112
$3/2 \times F_o$ (MHz)	15.360	15.3575	15.3625
N x 10KHz (MHz)	1.12	1.12	1.12
FL (MHz)	16.480	16.4775	16.4825
Fc (MHz)	10.695	10.6975	10.6925
Ft (MHz)	27.175	27.175	27.175

5) Clarifier Circuit

In the receive operation ,the control voltage varied by the clarifier control VR-303 are passed through the clarifier gate diode D 31 and are applied to a variable capacitance diode which is connected to the off-set frequency oscillator crystals.

The above mentioned circuit it may vary the off -set frequency by means of rotating the clarifier control VR 303 at the range of approximately ± 1 KHz. In the transmit operation , clarifier gate diode D 31 is reverse biased and that separates the variable capacitance diode from the clarifier control.

Attachment E

FCC Part 2.983(d)(10)

Table B FREQUENCIES OF LOCAL OSCILLATORS AND IF STAGE IN RECEIVING STATE

Channel No.	Reception frequencies (MHz)	Divide ratio (N)	Local oscillator frequencies (MHz)			IF frequency (MHz)
			AM mode	USB mode	LSB mode	
1	26.965	91	16,270	16.2725	16.2675	10.695
2	.975	92	16,280	16.2825	16.2775	"
3	.985	93	16.290	16.2925	16.2875	"
4	27.005	95	16.310	16.3125	16.3075	"
5	.015	96	16.320	16.3225	16.3175	"
6	.025	97	16.330	16.3325	16.3275	"
7	.035	98	16.340	16.3425	16.3375	"
8	.055	100	16.360	16.3625	16.3575	"
9	.065	101	16.370	16.3725	16.3675	"
10	.075	102	16.380	16.3825	16.3775	"
11	.085	103	16.390	16.3925	16.3875	"
12	.105	105	16.410	16.4125	16.4075	"
13	.115	106	16.420	16.4225	16.4175	"
14	.125	107	16.430	16.4325	16.4275	"
15	.135	108	16.440	16.4425	16.4375	"
16	.155	110	16.460	16.4625	16.4575	"
17	.165	111	16.470	16.4725	16.4675	"
18	.175	112	16.480	16.4825	16.4775	"
19	.185	113	16.490	16.4925	16.4875	"
20	.205	115	16.510	16.5125	16.5075	"
21	.215	116	16.520	16.5225	16.5175	"
22	.225	117	16.530	16.5325	16.5275	"
23	.255	120	16.560	16.5625	16.5575	"
24	.235	118	16.540	16.5425	16.5375	"
25	.245	119	16.550	16.5525	16.5475	"
26	.265	121	16.570	16.5725	16.5675	"
27	.275	122	16.580	16.5825	16.5775	"
28	.285	123	16.590	16.5925	16.5875	"
29	.295	124	16.600	16.6025	16.5975	"
30	.305	125	16.610	16.6125	16.6075	"
31	.315	126	16.620	16.6225	16.6175	"
32	.325	127	16.630	16.6325	16.6275	"
33	.335	128	16.640	16.6425	16.6375	"
34	.345	129	16.650	16.6525	16.6475	"
35	.355	130	16.660	16.6625	16.6575	"
36	.365	131	16.670	16.6725	16.6675	"
37	.375	132	16.680	16.6825	16.6775	"
38	.385	133	16.690	16.6925	16.6875	"
39	.395	134	16.700	16.7025	16.6975	"
40	.405	135	16.710	16.7125	16.7075	"

PHASE LOCKED LOOP FREQUENCY SYNTHESIZER

CMOS LSI

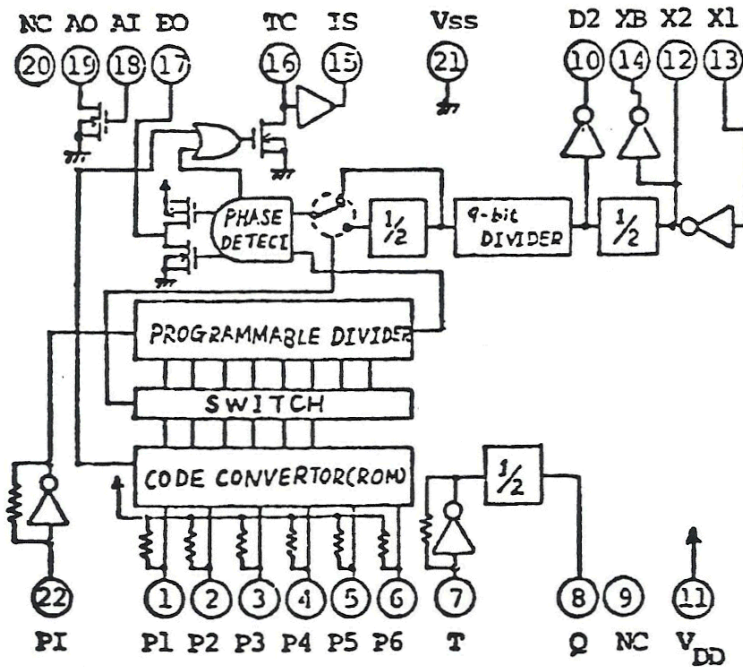
The μ PD2824C is a CMOS LSI intended for a Phase Locked Loop Frequency Synthesizer for Citizens Band Radio.

The μ PD2824C is packaged in a 22pins dual-in-line package.

FEATURES

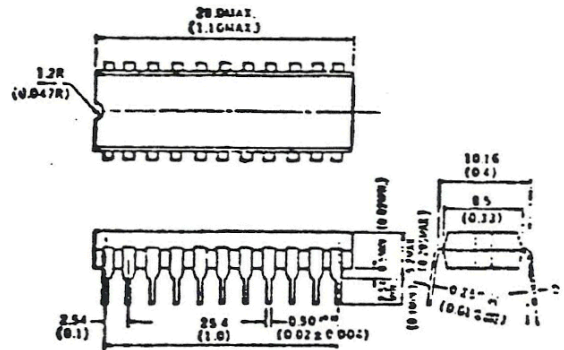
- * On chip open drain filter amplifier
- * Buffered 10.24MHz output
- * Protection circuit for the miss-programming and un-locked conditions
- * BCD 6-bits input channel select code
- * High speed and low power consumption due to CMOS

BLOCK DIAGRAM



PACKAGE DIMENSIONS

in millimeters (inches)

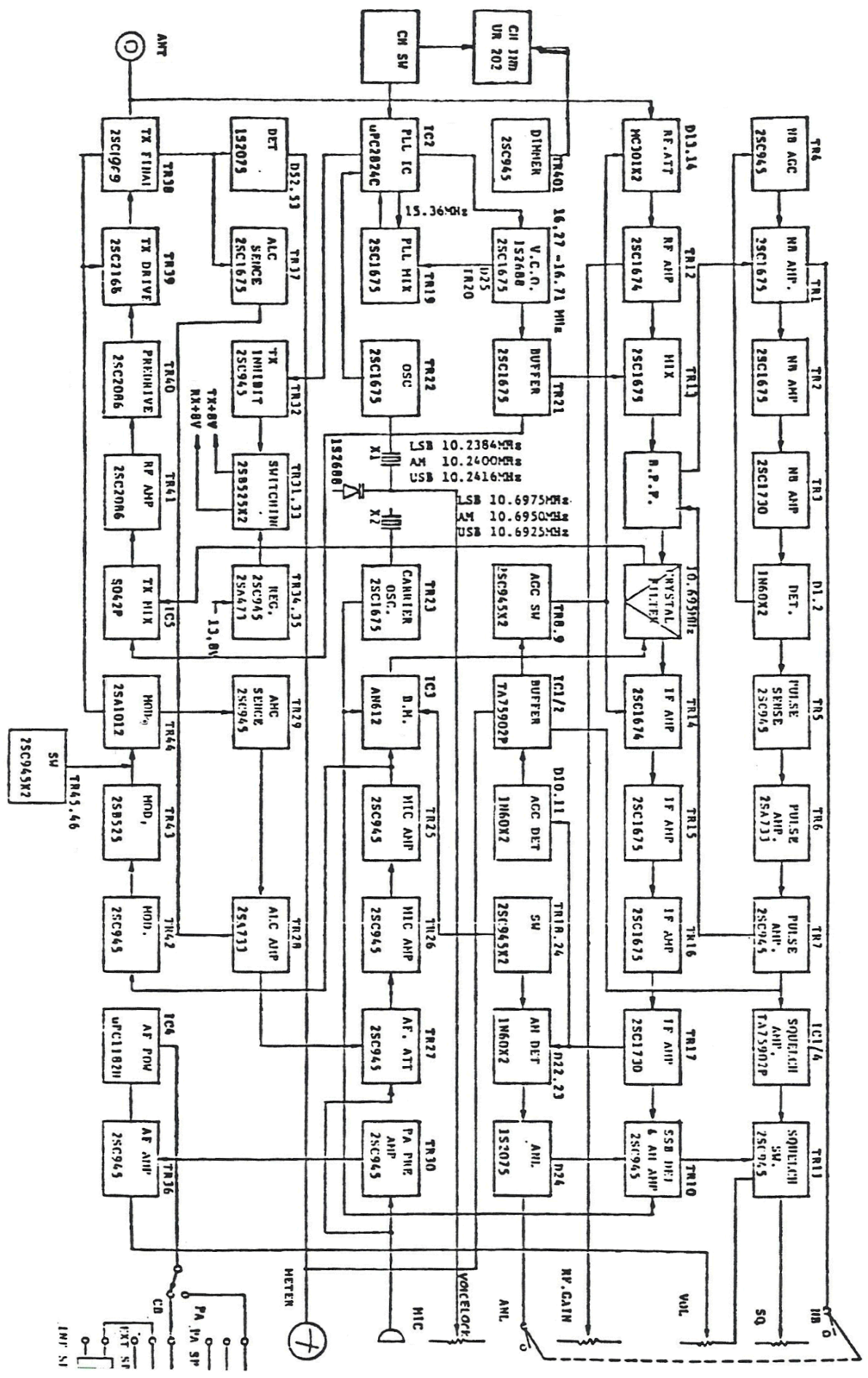


CH	PROGRAM INPUT						N	IS
	P1	P2	P3	P4	P5	P6		
1	1	0	0	0	0	0	91	1
2	0	1	0	0	0	0	92	1
3	1	1	0	0	0	0	93	1
4	0	0	1	0	0	0	95	1
5	1	0	1	0	0	0	96	1
6	0	1	1	0	0	0	97	1
7	1	1	1	0	0	0	98	1
8	0	0	0	1	0	0	100	1
9	1	0	0	1	0	0	101	1
10	0	0	0	0	1	0	102	1
11	1	0	0	0	1	0	103	1
12	0	1	0	0	1	0	105	1
13	1	1	0	0	1	0	106	1
14	0	0	1	0	1	0	107	1
15	1	0	1	0	1	0	108	1
16	0	1	1	0	1	0	110	1
17	1	1	1	0	1	0	111	1
18	0	0	0	1	1	0	112	1
19	1	0	0	1	1	0	113	1
20	0	0	0	0	0	1	115	1
21	1	0	0	0	0	1	116	1
22	0	1	0	0	0	1	117	1
23	1	1	0	0	0	1	120	1
24	0	0	1	0	0	1	118	1
25	1	0	1	0	0	1	119	1
26	0	1	1	0	0	1	121	1
27	1	1	1	0	0	1	122	1
28	0	0	0	1	0	1	123	1
29	1	0	0	1	0	1	124	1
30	0	0	0	0	1	1	125	1
31	1	0	0	0	1	1	126	1
32	0	1	0	0	1	1	127	1
33	1	1	0	0	1	1	128	1
34	0	0	1	0	1	1	129	1
35	1	0	1	0	1	1	130	1
36	0	1	1	0	1	1	131	1
37	1	1	1	0	1	1	132	1
38	0	0	0	1	1	1	133	1
39	1	0	0	1	1	1	134	1
40	0	0	0	0	0	0	135	1
	0	1	0	1	PROGRAM INHIBIT			0
	1	1	0	1				0
	0	0	1	1				0
	1	0	1	1				0
	0	1	1	1				0
	1	1	1	1				0

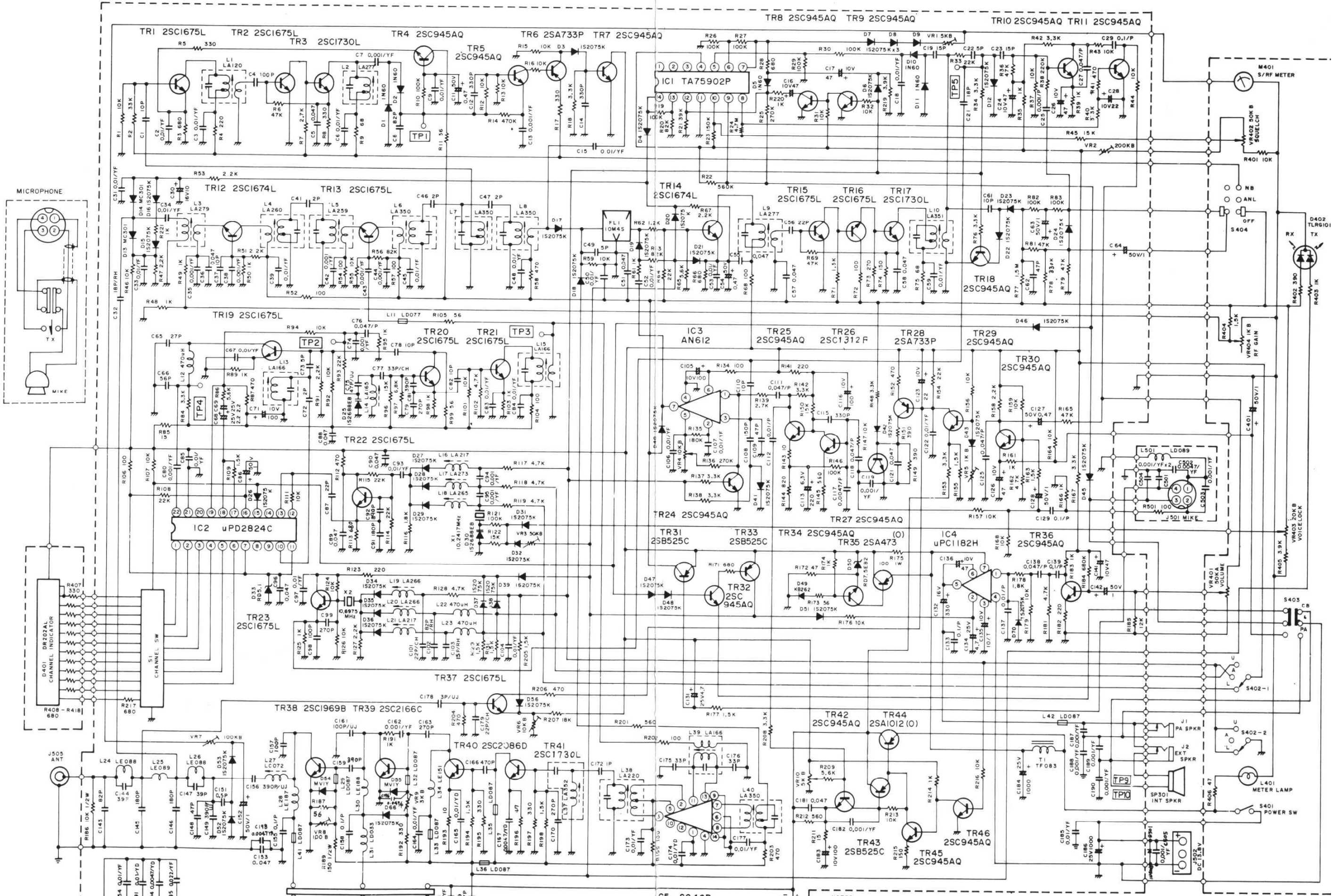
0 = Low Level

1 = High Level

IS Output : "0" output except 1CH to 40CH



CIRCUIT DIAGRAM FOR COBRA 146GTL



- NOTES**
1. RESISTANCE VALUES ARE SHOWN OHMS UNLESS OTHERWISE NOTED. (K=10³ OHM M=10⁶ OHM)
 2. RESISTOR WATTAGES ARE 1/8W UNLESS OTHERWISE SPECIFIED.
 3. CAPACITANCE VALUES ARE INDICATED IN MICROFARADS UNLESS OTHERWISE NOTED. (P=MICRO-MICROFARAD)
 4. ALL CAPACITORS TEMPERATURE CHARACTERISTICS ARE S1 (LESS THAN 1000PF) OR ZF (MORE THAN 1000PF) UNLESS OTHERWISE NOTED.

Transistor(Continued)

<u>Part No.</u>	<u>Type</u>	<u>Manufacturer</u>	<u>Function</u>
TR 6	2SA733 or 2SA495 or 2SA564 or 2SA628 or 2SA1015	N.E.C. Toshiba Matsushita Mitsubishi Toshiba	Noise Blanker Pulse Amp
TR 7	-the same as TR 4-		Noise Blanker Pulse Amp
TR 8	-the same as TR 4-		AGC Switching
TR 9	-ditto-		-ditto-
TR 10	-the same as TR 4-		SSB DET & AM AF Amp
TR 11	-the same as TR 4-		Squelch Switching
TR 12	2SC1674 or 2SC710 or 2SC763 or 2SC930 or 2SC1342 or 2SC1675 or 2SC1730 or 2SC1856 or 2SC784	N.E.C Mitsubishi Mitsubishi Sanyo Hitachi N.E.C N.E.C Hitachi Toshiba	RX RF Amp
TR 13	-the same as TR 1-		RX Mixer
TR 14	-the same as TR 12-		RX IF Amp
TR 15	-the same as TR 1-		RX IF Amp
TR 16	-ditto-		-ditto-
TR 17	-the same as TR 3-		RX IF Amp
TR 18	-the same as TR 4-		Switching
TR 19	-the same as TR 1-		P.L.L. Inloop Mixer
TR 20	-the same as TR 1-		V.C.O
TR 21	-the same as TR 1-		V.C.O. Buffer
TR 22	-the same as TR 1-		P.L.L.Inloop OSC
TR 23	-the same as TR 1-		Carrier OSC
TR 24	-the same as TR 4-		Switching
TR 25	-the same as TR 4-		Mic Amp
TR 26	-ditto-		-ditto-
TR 27	-the same as TR 4-		AF ATT

Transistor (continued)

<u>Part No.</u>	<u>Type</u>	<u>Manufacturer</u>	<u>Function</u>
TR 46	-ditto-		-ditto-

Diode Complement

<u>Part No.</u>	<u>Type</u>	<u>Manufacturer</u>	<u>Function</u>
D 1	1N60	Unizon	Noise Det
D 2	-ditto-		-ditto-
D 3	1S2075 or 1S2076 or 1S1588 or 1S2473 or 1S953	Hitachi Hitachi Toshiba Toyo Dengu N.E.C.	Switching
D 4	-Ditto-		
D 5	1N60	Unizon	-ditto-
D 6	-the same as D 3-		-ditto-
D 7	-ditto-		S.Meter Level Shifter
D 8	-ditto-		-ditto-
D 9	-ditto-		-ditto-
D 10	-the same as D 5-		AGC Det
D 11	-ditto-		-ditto-
D 12	-the same as D3 -		Switching
D 13	MC 301 or 1S2186 or BA 243	Mitsubishi Toshiba ITT	RX RF Attenuator
D 14	- ditto-		-ditto-
D 15	-the same as D 3-		Temp, Compensator
D 16	-ditto-		-ditto-
D 17	-ditto-		Switching

Diode(continued)

<u>Part No.</u>	<u>Type</u>	<u>Manufacturer</u>	<u>Function</u>
D 45	-ditto-		-ditto-
D 46	-the same as D 3-		Switching
D 47	-ditto-		-ditto-
D 48	-ditto-		-ditto-
D 49	KB262	Unizon	Temp.Compensator
D 50	RD7.5E or WZ-075	N.E.C. JRC	Voltage Regulator
D 51	-the same as D 3-		Switching
D 52	-ditto-		TX.Meter Det
D 53	-ditto-		-ditto-
D 54	MV-1Y	Ohizumi Mfg.	Temp.Compensator
D 55	-ditto-		-ditto-
D 56	-the same as D 3-		Switching
D 57	1N 4003 or SR1K-1 or 10D-1 or DS130D	Rectron Unizon IR T.T.S	Protector
D 66	-the same as D 3-		Bias.
D 401	UR 202 or TLR 321 or SL 1221	Uni Crystal Toshiba Sanyo	Channel Display
D 402	TLRG101	Toshiba	TX/RX Display

BILL OF MATERIAL FOR COBRA 146GTL

CIRCUIT SYMBOL	DESCRIPTION	DYNASCAN PART NO.
----------------	-------------	-------------------

SEMICONDUCTORS

IC-1	Integrated Circuit,	TA75902P
IC-2	Integrated Circuit,	μ PD2824C
IC-3	Integrated Circuit,	AN612
IC-4	Integrated Circuit,	μ PC1182H
IC-5	Integrated Circuit,	SO42P

TR-4,5,7,8,9,10,11,18, 24,25,27,29,30,32, 34,36,42,45,46	Transistor,	
--	-------------------	--

TR-12,14	Transistor,	2SC1674-L
TR-1,2,13,15,16,19,20, 21,22,23,37	Transistor,	2SC1675-L

TR-3,17,41	Transistor,	2SC1730-L
TR-39	Transistor,	2SC2166-C
TR-38	Transistor,	2SC1969-B
TR-40	Transistor,	2SC2086-D
TR-31,33,43	Transistor,	2SB525-C
TR-35	Transistor,	2SA473-O
TR-44	Transistor,	2SA1012-O
TR-6,28	Transistor,	2SA733-P
TR-26	Transistor,	2SC1312F

D-3,4,6,7,8,9,12,15,16, 17,18,19,20,21,22,23, 24,26,27,28,29,31,32, 34,35,36,37,38,39,40, 41,42,43,45,46,47,48, 51,52,53,56,66,70	Diode,	1S2075K
--	--------	---------------

D-1,2,5,10,11	Diode,	1N60
D-13,14	Diode,	MC301
D-501	Diode,	1N4003
D-25,30	Diode, Vari-Cap,	1S2688EB
D-401	Diode, LED,	DR-202AL
D-402	Diode, LED,	TLRG-101
D-33	Diode, Zener,	RD5.1EB2
D-50	Diode, Zener,	RD7.5EB2
D-49	Varistor,	KB262
D-54,55	Varistor,	MV-1Y

INDUCTORS

L-1	Coil,	LA-120
L-14	Coil,	LA-165
L-13,15,39	Coil,	LA-166
L-16,21	Coil,	LA-217
L-38	Coil,	LA-220
L-5	Coil,	LA-259
L-4	Coil,	LA-260
L-18	Coil,	LA-265
L-19,20	Coil,	LA-266
L-17	Coil,	LA-273
L-2,9	Coil,	LA-277

**CIRCUIT
SYMBOL**

DESCRIPTION

**DYNASCAN
PART NO.**

INDUCTORS (Continued)

L-3	Coil,	LA-279
L-6,7,8,40	Coil,	LA-350
L-10	Coil,	LA-351
L-37	Coil,	LA-352
L-27	Coil,	LC-072
L-31	Coil,	LD-033
L-11	Coil,	LD-077
L-29,32,33,35,36,41,42	Coil,	LD-087
L-501	Coil,	LD-089
L-24,26	Coil,	LE-088
L-25	Coil,	LE-089
L-34	Coil,	LE-151
L-28	Coil,	LE-187
L-30	Coil,	LE-188
L-12,22,23	Inductor, Molded,	LZ-012 470 μ H
T-1	Transformer, AF choke,	TF-083

SEMI-FIXED & VARIABLE RESISTORS

VR-8	Resistor, Semi-fixed,	RV-182	100 ohm B
VR-5	Resistor, Semi-fixed,	RV-182	1K ohm B
VR-9	Resistor, Semi-fixed,	RV-182	3K ohm B
VR-1,10	Resistor, Semi-fixed,	RV-182	5K ohm B
VR-4,6	Resistor, Semi-fixed,	RV-182	10K ohm B
VR-3	Resistor, Semi-fixed,	RV-182	50K ohm B
VR-7	Resistor, Semi-fixed,	RV-182	100K ohm B
VR-2	Resistor, Semi-fixed,	RV-182	200K ohm B
VR-404	Resistor, Variable,	RV-498	1K ohm B	RF GAIN
VR-403	Resistor, Variable,	RV-500	20K ohm B
				VOICE LOCK
VR-402	Resistor, Variable,	RV-501	50K ohm B	SQUELCH
VR401,S-401	Resistor, Variable,	RV-486	50K ohm A	VOLUME POW. SW

FIXED RESISTORS

NOTE:

Resistor tolerance: J = $\pm 5\%$ K = $\pm 10\%$

R-175	Resistor, Metal Film,	100 ohm	1W K	...
R-189,215	Resistor, Carbon, Axial Lead,	150 ohm	1/2W J	...
R-186	Resistor, Carbon, Axial Lead,	10K ohm	1/2W J	...
R-211	Resistor, Carbon, Axial Lead,	15 ohm	1/8W J	...
R-406	Resistor, Carbon, Axial Lead,	47 ohm	1/8W J	...
R-105	Resistor, Carbon, Axial Lead,	56 ohm	1/8W J	...
R-9,75	Resistor, Carbon, Axial Lead,	68 ohm	1/8W J	...
R-68,134,501	Resistor, Carbon, Axial Lead,	100 ohm	1/8W J	...
R-4,123	Resistor, Carbon, Axial Lead,	220 ohm	1/8W J	...
R-402	Resistor, Carbon, Axial Lead,	390 ohm	1/8W J	...
R-203	Resistor, Carbon, Axial Lead,	470 ohm	1/8W J	...
R-201	Resistor, Carbon, Axial Lead,	560 ohm	1/8W J	...
R-28,408,409,413	Resistor, Carbon, Axial Lead,	680 ohm	1/8W J	...
R-35,49,61,161	Resistor, Carbon, Axial Lead,	1K ohm	1/8W J	...
R-155,198	Resistor, Carbon, Axial Lead,	1.5K ohm	1/8W J	...

CIRCUIT
SYMBOL

DESCRIPTION

DYNASCAN
PART NO.

FIXED RESISTORS (Continued)

R-7,139	Resistor, Carbon, Axial Lead,	2.7K ohm	1/8W J
R-34,84,137,208	Resistor, Carbon, Axial Lead,	3.3K ohm	1/8W J
R-63	Resistor, Carbon, Axial Lead,	8.2K ohm	1/8W J
R-46,59,107,213	Resistor, Carbon, Axial Lead,	10K ohm	1/8W J
R-93	Resistor, Carbon, Axial Lead,	22K ohm	1/8W J
R-21	Resistor, Carbon, Axial Lead,	39K ohm	1/8W J
R-6	Resistor, Carbon, Axial Lead,	47K ohm	1/8W J
R-20	Resistor, Carbon, Axial Lead,	82K ohm	1/8W J
R-19	Resistor, Carbon, Axial Lead,	100K ohm	1/8W J
R-143,193	Resistor, Carbon, Formed VERT,	10 ohm	1/8W J
R-85	Resistor, Carbon, Formed VERT,	15 ohm	1/8W J
R-182,196	Resistor, Carbon, Formed VERT,	47 ohm	1/8W J
R-11,99,173,187	Resistor, Carbon, Formed VERT,	56 ohm	1/8W J
R-52,54,57,72,104,106, 199,202	Resistor, Carbon, Formed VERT,	100 ohm	1/8W J
R-74	Resistor, Carbon, Formed VERT,	150 ohm	1/8W J
R-141,182	Resistor, Carbon, Formed VERT,	220 ohm	1/8W J
R-73	Resistor, Carbon, Formed VERT,	270 ohm	1/8W J
R-5,8,17,192,195,197, 407	Resistor, Carbon, Formed VERT,	330 ohm	1/8W J
R-149,151	Resistor, Carbon, Formed VERT,	390 ohm	1/8W J
R-41,58,87,112,152,204 206	Resistor, Carbon, Formed VERT,	470 ohm	1/8W J
R-145,212	Resistor, Carbon, Formed VERT,	560 ohm	1/8W J
R-3,66,113,171,217,410, 411,412,414,415,416, 417,418	Resistor, Carbon, Formed VERT,	680 ohm	1/8W J
R-144	Resistor, Carbon, Formed VERT,	820 ohm	1/8W J
R-39,48,50,89,95,98,103, 125,166,174,183,191, 214,220,221,403	Resistor, Carbon, Formed VERT,	1K ohm	1/8W J
R-62	Resistor, Carbon, Formed VERT,	1.2K ohm	1/8W J
R-71,109,129,131,163, 177,194,205,404	Resistor, Carbon, Formed VERT,	1.5K ohm	1/8W J
R-116,178	Resistor, Carbon, Formed VERT,	1.8K ohm	1/8W J
R-47,51,53,67,91,127,158	Resistor, Carbon, Formed VERT,	2.2K ohm	1/8W J
R-18,40,42,76,138,142, 148,153,167	Resistor, Carbon, Formed VERT,	3.3K ohm	1/8W J
R-219,405	Resistor, Carbon, Formed VERT,	3.9K ohm	1/8W J
R-102,117,118,119,128, 162,181	Resistor, Carbon, Formed VERT,	4.7K ohm	1/8W J
R-65,86,209	Resistor, Carbon, Formed VERT,	5.6K ohm	1/8W J
R-97	Resistor, Carbon, Formed VERT,	6.8K ohm	1/8W J
R-1,12,13,15,16,31,32,37, 43,44,55,92,94,101,111, 124,126,147,156,157,159, 164,168,176,179,216,401	Resistor, Carbon, Formed VERT,	10K ohm	1/8W J
R-185	Resistor, Carbon, Formed VERT,	12K ohm	1/8W J
R-45,96,122,150	Resistor, Carbon, Formed VERT,	15K ohm	1/8W J
R-207	Resistor, Carbon, Formed VERT,	18K ohm	1/8W J
R-33,64,108,114,115,154	Resistor, Carbon, Formed VERT,	22K ohm	1/8W J
R-2	Resistor, Carbon, Formed VERT,	33K ohm	1/8W J
R-36,69,79,81,165	Resistor, Carbon, Formed VERT,	47K ohm	1/8W J
R-56	Resistor, Carbon, Formed VERT,	82K ohm	1/8W J
R-10,26,27,29,30,82,83, 121,146	Resistor, Carbon, Formed VERT,	100K ohm	1/8W J

**CIRCUIT
SYMBOL**

DESCRIPTION

**DYNASCAN
PART NO.**

FIXED RESISTORS (Continued)

R-23	Resistor, Carbon, Formed VERT,	150K ohm	1/8W J
R-135	Resistor, Carbon, Formed VERT,	180K ohm	1/8W J
R-38	Resistor, Carbon, Formed VERT,	220K ohm	1/8W J
R-25,136	Resistor, Carbon, Formed VERT,	270K ohm	1/8W J
R-78	Resistor, Carbon, Formed VERT,	330K ohm	1/8W J
R-14	Resistor, Carbon, Formed VERT,	470K ohm	1/8W J
R-22	Resistor, Carbon, Formed VERT,	560K ohm	1/8W J
R-184	Resistor, Carbon, Formed VERT,	680K ohm	1/8W J
R-77	Resistor, Carbon, Formed VERT,	1.5M ohm	1/8W J
R-24	Resistor, Carbon, Formed VERT,	4.7M ohm	1/8W J

CAPACITORS

NOTE:

The first code indicates tolerance of capacitance:

C = $\pm 0.25\text{pF}$, D = $\pm 0.5\text{pF}$, F = $\pm 1\text{pF}$, G = $\pm 2\%$, J = $\pm 5\%$, K = $\pm 10\%$, M = $\pm 20\%$, Z = $+70\% -20\%$

The second code indicates variation of capacitance with temperature:

YA = $\pm 5\%$, YB = $\pm 10\%$, YD = $+20 -30\%$, YE = $+20 -50\%$, YF = $+30 -70\%$, ($-25 \sim +85^\circ\text{C}$), ZF = $+30 -80\%$ ($-10 \sim +70^\circ\text{C}$), CH = $0 \pm 60\text{ppm}/^\circ\text{C}$, RH = $-220\text{ppm}/^\circ\text{C} \pm 60\text{ppm}/^\circ\text{C}$, CJ = $0 \pm 120\text{ppm}/^\circ\text{C}$, RJ = $-220\text{ppm}/^\circ\text{C} \pm 120\text{ppm}/^\circ\text{C}$, TH = $-470\text{ppm}/^\circ\text{C} \pm 60\text{ppm}/^\circ\text{C}$, UJ = $-750\text{ppm}/^\circ\text{C} \pm 120\text{ppm}/^\circ\text{C}$, SL = $+350\text{ppm}/^\circ\text{C} \sim -1000\text{ppm}/^\circ\text{C}$

C -135	Capacitor, Tantalum,	10 μF	10V	M
C-11,54,127	Capacitor, Electrolytic,	0.47 μF	50V	
C-63,64,86,128,142,152, 180,401	Capacitor, Electrolytic,	1 μF	50V	
C-68,69	Capacitor, Electrolytic,	2.2 μF	25V	
C-131,134	Capacitor, Electrolytic,	4.7 μF	25V	
C-30	Capacitor, Electrolytic,	10 μF	16V	
C-28,123	Capacitor, Electrolytic,	22 μF	10V	
C-16,17,24,26,126,136, 141	Capacitor, Electrolytic,	47 μF	10V	
C-71,105,116,183	Capacitor, Electrolytic,	100 μF	10V	
C-113	Capacitor, Electrolytic,	220 μF	6.3V	
C-132	Capacitor, Electrolytic,	330 μF	16V	
C-184,186	Capacitor, Electrolytic,	1000 μF	25V	
C-25	Capacitor, Mylar,	0.001 μF	50V	K
C-112,137,169	Capacitor, Mylar,	0.01 μF	50V	K
C-27,76,111,118,125,138, 196	Capacitor, Mylar,	0.047 μF	50V	K
C-29,129,133,139,155,158	Capacitor, Mylar,	0.1 μF	50V	K
C-117	Capacitor, Mylar,	0.0047 μF	50V	K
C-251	Capacitor, Ceramic,	0.5pF	50V	C	SL
C-172	Capacitor, Ceramic,	1pF	50V	C	SL
C-41,46,47,72	Capacitor, Ceramic,	2pF	50V	C	SL
C-22,49,73	Capacitor, Ceramic,	5pF	50V	D	SL
C-1,37,61,78,82,110	Capacitor, Ceramic,	10pF	50V	K	SL
C-19,23	Capacitor, Ceramic,	15pF	50V	K	SL
C-21	Capacitor, Ceramic,	18pF	50V	K	SL
C-56,87	Capacitor, Ceramic,	22pF	50V	K	SL
C-65	Capacitor, Ceramic,	27pF	50V	K	SL
C-175,176	Capacitor, Ceramic,	33pF	50V	K	SL
C-144,147	Capacitor, Ceramic,	39pF	50V	K	SL
C-62,109,148	Capacitor, Ceramic,	47pF	50V	K	SL
C-66	Capacitor, Ceramic,	56pF	50V	K	SL

**CIRCUIT
SYMBOL**

DESCRIPTION

**DYNASCAN
PART NO.**

CAPACITORS (Continued)

C-8,143	Capacitor, Ceramic,	82pF	50V	K	SL
C-4,98	Capacitor, Ceramic,	100pF	50V	K	SL
C-108	Capacitor, Ceramic,	150pF	50V	K	SL
C-91,145,146	Capacitor, Ceramic,	180pF	50V	K	SL
C-79,99,163,170	Capacitor, Ceramic,	270pF	50V	K	SL
C-12,14,115	Capacitor, Ceramic,	330pF	50V	K	SL
C-81,92,159	Capacitor, Ceramic,	390pF	50V	K	SL
C-166	Capacitor, Ceramic,	470pF	50V	K	SL
C-178	Capacitor, Ceramic,	3pF	50V	D	UJ
C-32	Capacitor, Ceramic,	18pF	50V	K	RH
C-101,179	Capacitor, Ceramic,	22pF	50V	K	CH
C-77	Capacitor, Ceramic,	33pF	50V	K	CH
C-75	Capacitor, Ceramic,	47pF	50V	K	UJ
C-149,156	Capacitor, Ceramic,	390pF	50V	K	UJ
C-102	Capacitor, Ceramic,	82pF	50V	K	RH
C-103	Capacitor, Ceramic,	15pF	50V	K	RH
C-7,13,35,38,42,43,44, 74,80,94,95,119,162, 182,187,188,189,190, 503,504,505	Capacitor, Ceramic,	0.001 μ F	50V	Z	YF
C-2,3,6,9,15,18,31,33,34, 39,45,48,50,52,53,59, 67,83,84,85,93,97,104, 106,107,122,164,168, 173,177,185	Capacitor, Ceramic,	0.01 μ F	50V	Z	YF
C-5,36,51,55,57,58,88, 89,90,96,121,153,181	Capacitor, Ceramic,	0.047 μ F	50V	Z	ZF
C-195	Capacitor, Ceramic,	0.022 μ F	50V	Z	YF
C-502	Capacitor, Ceramic,	0.0047 μ F	50V	Z	YF
C-157,161	Capacitor, Ceramic,	100pF	50V	K	UJ
C-167,194,198	Capacitor, Ceramic,	0.0047 μ F	50V	M	YD
C-154,165,174,191	Capacitor, Ceramic,	0.01 μ F	50V	M	YD

CRYSTALS

X-1	Crystal, QX-122	10.2417 MHz
X-2	Crystal, QX-122	10.6975 MHz

MISCELLANEOUS

	PC Board, Main,	PC-833AD
	PC Board, CONT,	PC-839AD
	PC Board, Check Point,	PC-834AA
	PC Board, Mic Jack,	PC-266AA
FL-1	Filter, Crystal,	FL-090
S-1	Switch, Rotary,	SR-216	CHANNEL
S-402	Switch, Rotary,	SR-297	MODE
S-403	Switch, Slide,	SW-250	PA-CB
S-404	Switch, Slide,	SW-252	OFF-ANL-NB...
SP-501	Speaker,	SP-057
M-401	Meter,	MT-206
	Microphone,	MK-185
J-504	Receptacle, DC Power,	JK-052
J-505	Jack, Antenna,	JK-035
J-501	Jack, Microphone,	JK-087

**CIRCUIT
SYMBOL**

DESCRIPTION

**DYNASCAN
PART NO.**

MISCELLANEOUS (Continued)

J-1,2	Jack, Speaker,	JK-089	
	Socket, IC,	SK-032	
	Socket, Transistor,	SK-031	TX/RX LED	
TP-6,7,8	Terminal, Check Point,	TP-044	
IC-4	Insulation Sheet,	YD-047	
TR-35,44	Insulation Sheet,	YD-005004	
TR-38,39	Insulation Sheet, Almina,	YY-027	
TR-38,39,44	Bushing, Tight Ceramic,	YY-147	
	Fuse,	FS-014 4A	
	DC Power Cord,	W-070234	
FC-1	Flat Cable,	WF-008	L=130
FC-2	Flat Cable,	WF-009	L=110
FC-3,4	Flat Cable,	WF-011	L=110
	Chassis, Side,	SPCC	t=1 ZMC
	Chassis, Rear,	ALPI	t=2
	Lug, Terminal, Ground,	BsPI	t=0.3 Ni
	Cover, Top,	SBK-08S	
	Cover, Bottom,	SBK-08S	
	Mounting Bracket,	SPCC	t=1.6 ZMC
	Hanger, Microphone,	SPCC	t=1 Ni
	Washer for CHSW,		
	Earth Plate,	SPT	
	Panel, Front,	ABS	
	Knob Channel,	ABS	Cr-1
	Knob,	ABS	Cr-1
	Optical Filter, Display,		t=1.0
	Rubber Washer,		
	Heat Sink,	ALP	
	SW Holder,		
	Screw, Mounting,	BsBM	Ni-3
	Plate, Front Panel,	ALP	t=0.5
	ID Plate, FCC,	ALP	t=1.0
	P.C.B. Spacer,		
	Protection Cover, Chassis,		
	Washer, Rubber,		t=2
	Label, Serial No.,		
	Insulation Plate,		
	Label, Warning, DC Cord,		
	Washer, Faiber,		
	Screw, Pan Hd Plastic,	M3x6	P=0.5
	Screw, Flat Hd,	M3x5	P=0.5 Ni
	Screw, Bind Hd,	M2.6x12	P=0.45 Ni
	Screw, Bind Hd,	M2.6x10	P=0.45 Ni
	Screw, Bind Hd,	M3x6	P=0.5 Ni
	Screw, Bind Hd,	M3x8	P=0.5 Ni
	Tapping Screw, Bind Hd,	φ3x6	ZMC
	Tap Tight Screw, Bind Hd,	M3x6	P=0.5 ZMC
	Tapping Screw, Round Hd,	φ3.5x8	ZMC
	Tapping Screw, Round Hd,	φ5x10	ZMC
	Screw, Bind Hd,	M2.6x4	Ni
	Nut, Hex,	M2.6	Ni
	Screw, Bind Hd,	M2x4	Ni
	Nut, Flange,	M3	ZMC
	Washer, Lock,	3.5	ZMC
	Washer, Star,	5	ZMC

CIRCUIT
SYMBOL

DESCRIPTION

DYNASCAN
PART NO.

MISCELLANEOUS (Continued)

TM-105

Tapping Screw Bind Hd, ϕ 3x10 ZMC ...
Wool-coated Paper, Wool Tack, 150Lx10Wx0.3t
Spring Plate, Knob, ϕ 6
Spring Plate, Knob, ϕ 6
Rivet, AL, ID Plate, ϕ 3.2x5
One Year Warranty,
Styrofoam Pad,
Styrofoam Pad,
Display Box,
Shipping Carton Box,
Owners/Instruction Manual,
Schematic Diagram,
Warranty Card,
FCC Rules Part 95,
Service Station Card,