

Parts List

PART NO.	ITEM	QUAN.	DESCRIPTION
A1812-1	1	2	1" & 1 1/8" OD x .058 wall Common Element (One Coded Yellow & One Coded Blue)
1813	2	2	1" OD x .058 wall Element (Coded Red)
1816	3	2	7/8" OD x .058 wall Element Extension (Coded Blue)
1815	4	2	7/8" OD x .058 wall Element Extension (Coded Red)
1814	5	2	7/8" OD x .058 wall Element Extension (Coded Yellow)
1819	6	2	Trap Assembly (Coded Blue)
1818	7	2	Trap Assembly (Coded Red)
1817	8	2	Trap Assembly (Coded Yellow)
1822	9	2	5/8" OD x .035 wall Element End Extension (Coded Blue)
1821	10	2	5/8" OD x .035 wall Element End Extension (Coded Red)
1820	11	2	5/8" OD x .035 wall Element End Extension (Coded Yellow)
1823	12	1	2" OD x .058 wall Boom with hole (Coded Blue)
1824	13	1	2" OD x .058 wall Boom (Coded RED & YELLOW)
1334	14	1	Element Support
1192	15	1	Mast Plate
1002	16	4	Insulators
1190	17	3	No. 48 Aluminum Clamping Blocks
1191	18	6	No. 47 Aluminum Clamping Blocks
1187	19	9	U-Bolts
1188	20	18	5/16" Lockwashers (internal)
1189	21	18	5/16-18 Nuts
1004	22	12	No. 10 Lockwashers (internal)
1003	23	8	10-32 x 1 1/4" Long Screw
1005	24	4	10-32 x 1 3/4" Long Screw
A1826	25	1	Matching Tube & Type "N" Connector (Male)
1133	26	2	2" Caplug
1825	27	1	1 7/8" OD x .058 wall Boom Splice
1016	28	6	5/8" Caplug
1017	29	19	No. 7 x 1/2" Long Sheet Metal Screw
1085	30	1	Coax Type "N" Connector

NOTE: COLOR CODE ONE CW
COLOR CODE TWO PHONE

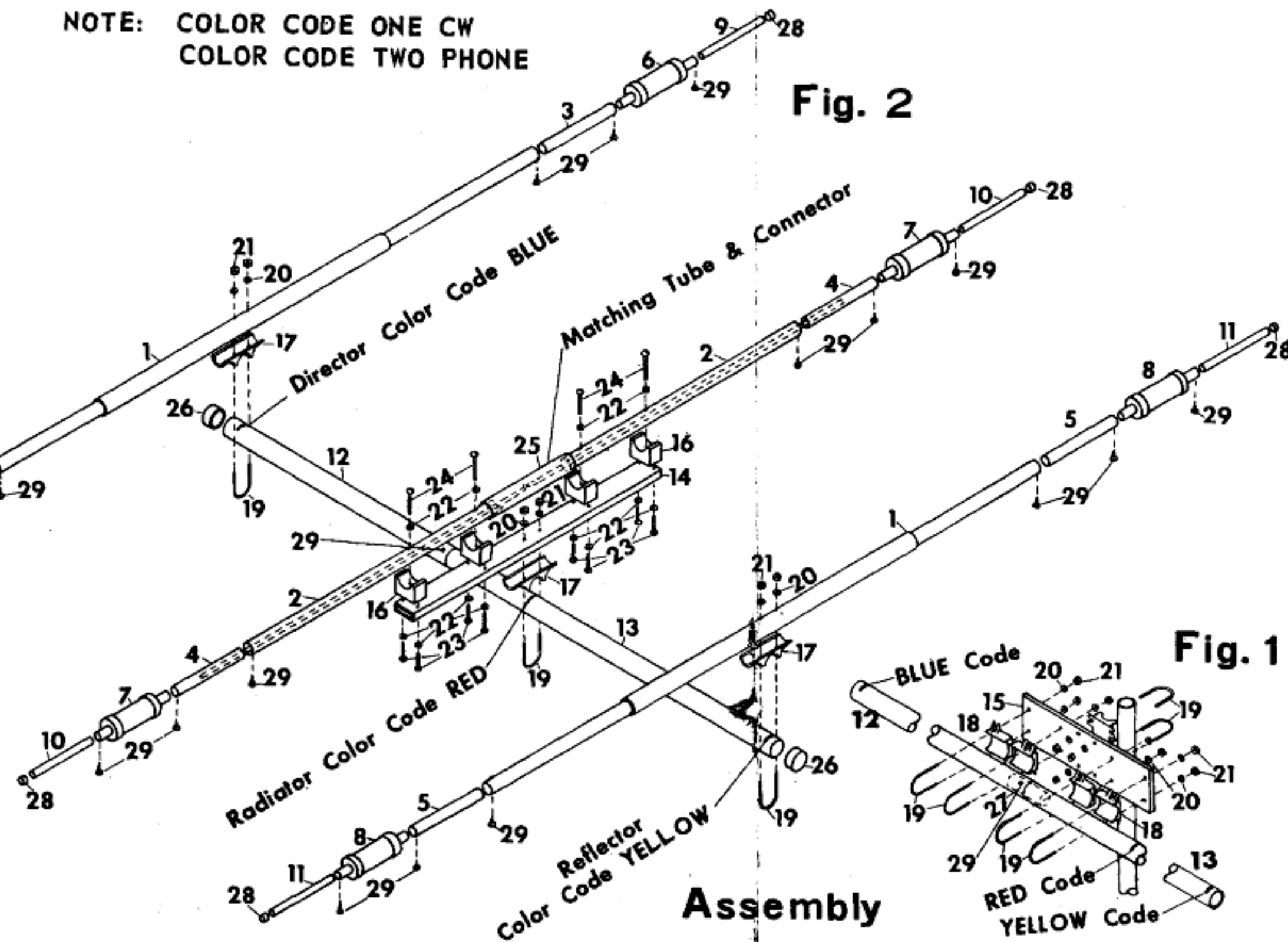


Fig. 2

Fig. 1

Assembly

BOOM TO MAST PLATE ASSEMBLY (See Fig. 1)

Begin boom assembly by telescoping boom splice (item 27) into boom (item 12) color coded blue. Align holes and secure with screw, (item 29). Telescope boom (item 13) coded red and yellow over other end of boom splice (item 27). Center boom assembly (items 12 & 13) over mast plate (item 15) as in Figure 1. Place clamping blocks (item 18) between boom (items 12 & 13) and mast plate (item 15). Place U-Bolts (item 19) around boom and through ears on clamping blocks (item 18) and through holes in mast plate (item 15) loosely installing lockwashers and nuts (items 29 & 21). Center boom on mast plate and secure nuts. The remaining U-Bolts (item 19), clamping block (item 18), lockwashers (item 20) and nuts (item 21) are used for assembling antenna to the mast.

RADIATOR ELEMENT ASSEMBLY, COLOR CODED RED (See Fig. 2)

Loosely install insulators (16) to element support (14), see Fig. 2, with lockwashers and screws (22 & 23). Telescope red color coded end of element sections (4) into ends of elements (2) color coded red. Align holes according to frequency chart, see Fig. 4, and secure with screws (29). Slide one of the wires from matching tube assembly (25) through element (2) and into element (4). Telescope plastic matching tube (25) over end of element (2). Place element (2) with matching tube assembly (25), see Fig. 2, into "V" of insulators (16) aligning holes and securing with lockwashers and nuts (22 & 24). NOTE: The hole on the end of element (4) should be facing down. Slide the remaining wire from other end of matching tube (25) through end of

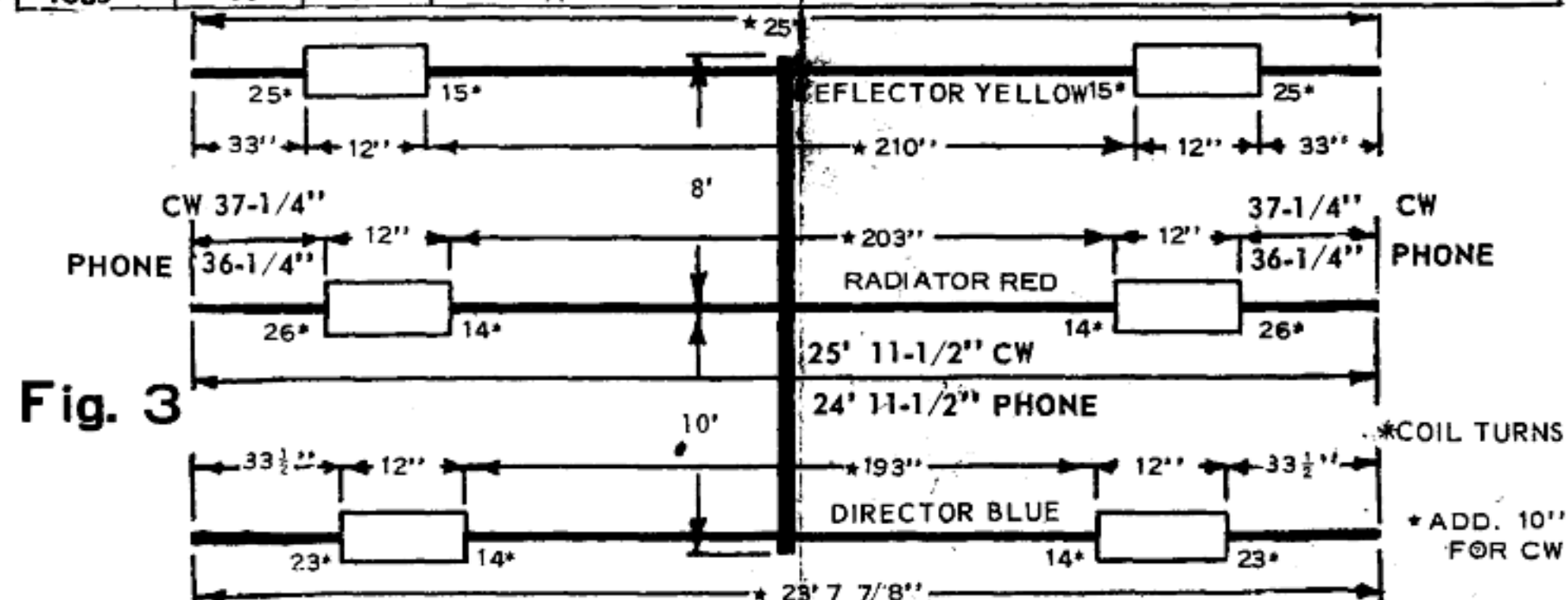


Fig. 3

The Mosley Beam Antenna is supplied with an anti-corrosion compound Penetrox, which should be applied between coupled sections of tubing to prevent formation of resistant corrosion. Elements will not telescope without Penetrox.

CAUTION: Coil Assemblies are color coded on one end only; this color should ALWAYS be nearest the boom. Reversal of traps will cause high SWR and other malfunction of beam. Begin assembly by grouping all element and coil sections according to color code.