

ICOM

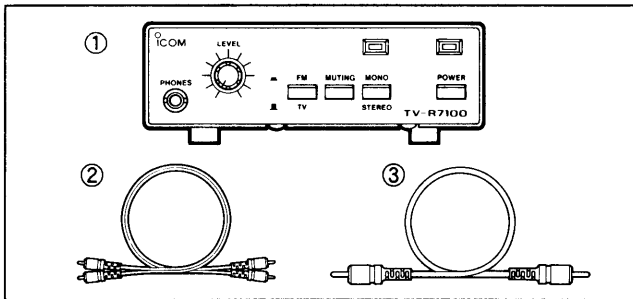
INSTRUCTIONS

TV/FM ADAPTER

TV-R7100

Thank you for purchasing the **TV-R7100 TV RECEIVE ADAPTER**. The **TV-R7100** is an option unit for the **IC-R7100 WIDEBAND RECEIVER**. The **TV-R7100** converts TV signals received by the **IC-R7100** to video signals and outputs them to your TV set or video recorder. The **TV-R7100** also enables you to receive FM broadcasts in stereo with stereo headphones or stereo tape recorder.

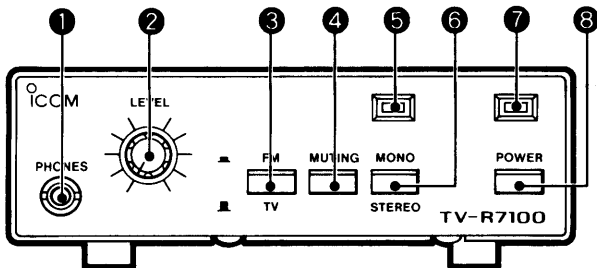
UNPACKING



	Qty.
① TV-R7100	1
② Audio cable (OPC-112A)	1
③ Video cable (OPC-162)	1

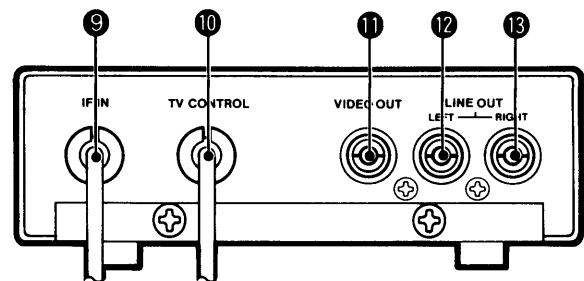
PANEL DESCRIPTION

■ Front panel



- ① HEADPHONE JACK [PHONES]**
Connects your stereo headphones or earphone.
- ② AUDIO LEVEL CONTROL [LEVEL]**
Adjusts the audio level output from the headphone jack.
- ③ FM/TV SWITCH [FM/TV]**
Selects the receive signal type: FM broadcasts or TV broadcasts with ATV (amateur television).
- ④ MUTING SWITCH [MUTING]**
Cuts out noise when no signal is received in FM.
- ⑤ STEREO INDICATOR**
Lights up in green when receiving an FM stereo signal.
- ⑥ MODE SWITCH [MONO/STEREO]**
Selects the mode (stereo or mono) for receiving FM broadcasts.
 - When receiving TV audio signals, mono is selected regardless of the mode switch setting.
- ⑦ POWER INDICATOR**
Lights up in red when power is ON.
- ⑧ POWER SWITCH [POWER]**
Turns power ON and OFF.

■ Rear panel



- ⑨ IF CABLE [IF IN]**
Connects to the [IF OUT] jack of the IC-R7100.
- ⑩ TV CONTROL CABLE [TV CONTROL]**
Connects to the [AGC] jack of the IC-R7100.
- ⑪ VIDEO OUT JACK [VIDEO OUT]**
Outputs a video signal.
- ⑫ LINE OUT LEFT JACK [LINE OUT LEFT]**
-Outputs the left audio signal when receiving FM stereo broadcasts.

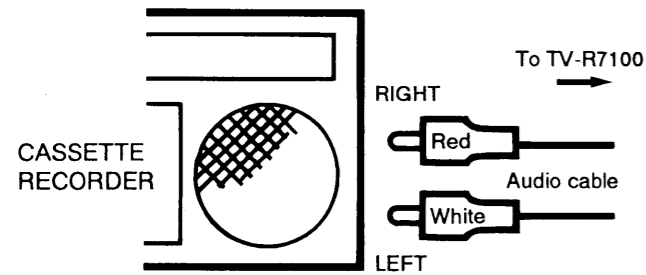
-Outputs mono audio when receiving TV broadcasts, ATV or FM mono broadcasts.
- ⑬ LINE OUT RIGHT JACK [LINE OUT RIGHT]**
-Outputs the right audio signal when receiving FM stereo broadcasts.

-Outputs mono audio when receiving TV broadcasts, ATV or FM mono broadcasts.

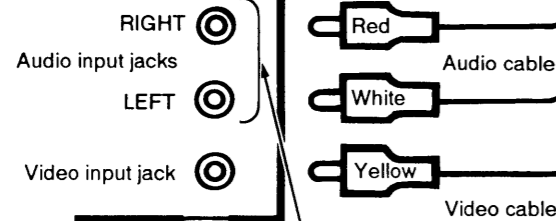
CONNECTION

For FM stereo signal receiving
Connect to your cassette recorder, etc. with the supplied audio cable.

- It is not necessary to connect the video cable.

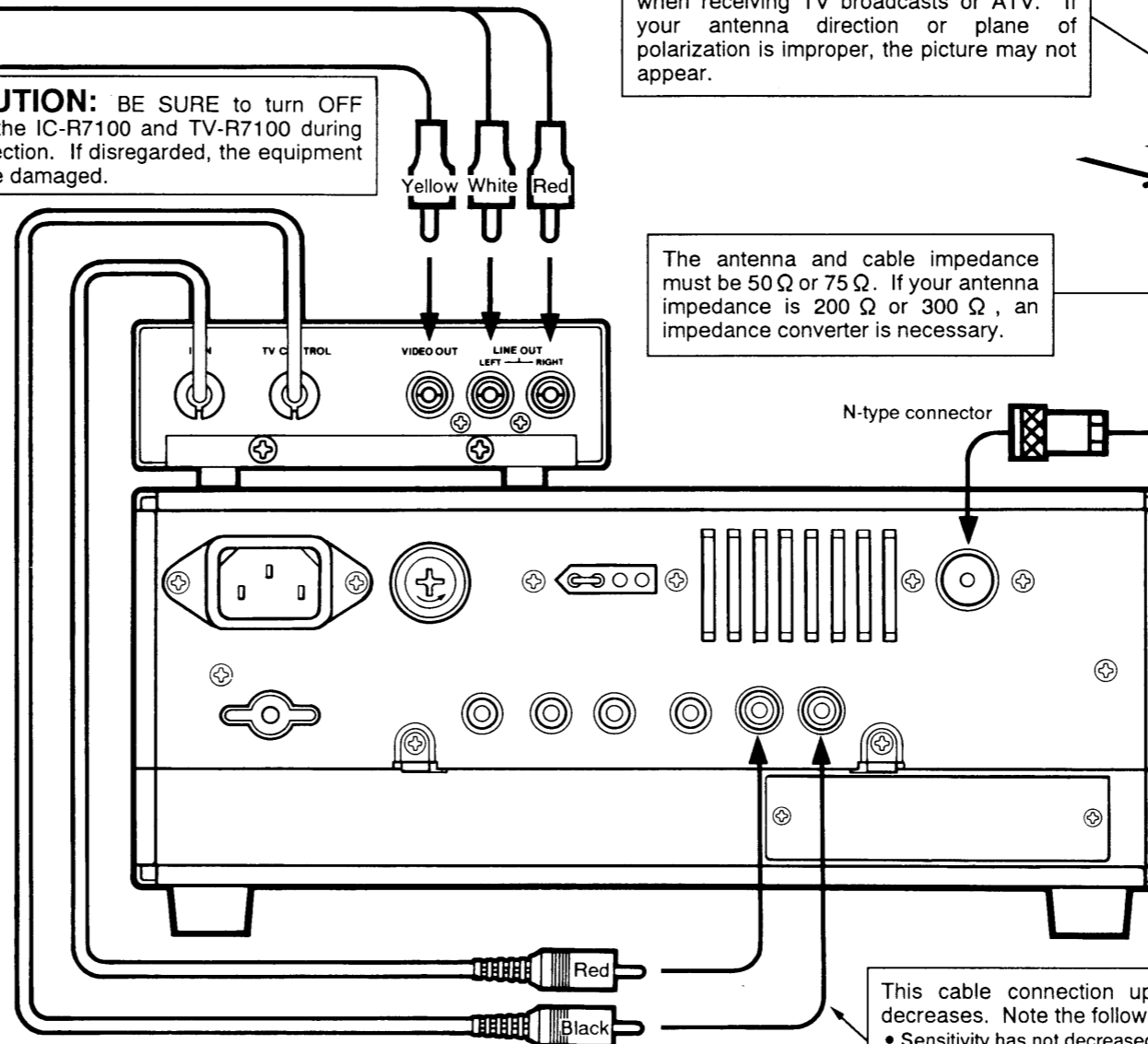


TV SET or
VIDEO RECORDER



If your TV set or video recorder has only one audio input jack, connect LINE OUT LEFT (White plug).

CAUTION: BE SURE to turn OFF both the IC-R7100 and TV-R7100 during connection. If disregarded, the equipment will be damaged.



Direct your TV antenna to a TV station exactly and match the plane of polarization when receiving TV broadcasts or ATV. If your antenna direction or plane of polarization is improper, the picture may not appear.

The antenna and cable impedance must be 50 Ω or 75 Ω. If your antenna impedance is 200 Ω or 300 Ω, an impedance converter is necessary.

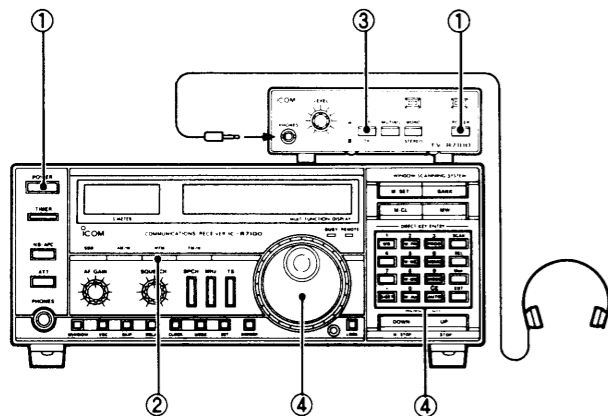
Connection procedure

- 1) Be sure to turn OFF both the TV-R7100 and IC-R7100.
- 2) Connect the IF cable from the TV-R7100 (Red plug) to [IF OUT] on the IC-R7100 rear panel.
- 3) Connect the TV control cable from the TV-R7100 (Black plug) to [AGC] on the IC-R7100 rear panel.
- 4) Connect [VIDEO OUT] of the TV-R7100 to the video signal input terminal such as [VIDEO IN] of your TV set or video recorder using the supplied video cable.
- 5) Connect [LINE OUT LEFT/RIGHT] of the TV-R7100 to the audio signal input terminal of your TV set or video recorder using the supplied audio cable.
- 6) Connect a TV antenna to [50 Ω ANT] of the IC-R7100.

This cable connection upgrades the picture quality, although the S-meter level decreases. Note the following:

- Sensitivity has not decreased.
- If this cable connection causes inconvenience, you may unplug it and continue normal operation.
- During reception of FM signals, the S-meter level is not affected.

OPERATION



- 1) Turn ON the TV-R7100, IC-R7100 and all connected equipment.
- 2) Select WFM mode on the IC-R7100.
- 3) -Push OUT [FM/TV] on the TV-R7100 to select "TV" when receiving TV broadcasts or ATV.
-Push IN [FM/TV] on the TV-R7100 to select "FM" when receiving FM broadcasts.
- 4) Set the frequency to the audio center frequency of the desired TV or FM signal by the main dial or direct keyboard entry.
 - The FM center indicator on the IC-R7100's function display is useful for tuning.
 - Pictures appear on your TV screen and sound is emitted.

NOTES

For operating

The power of the TV-R7100 can be turned ON and OFF using timers in the IC-R7100.

The receive audio is also output from the speaker of IC-R7100 even when the TV-R7100 is connected.

You can connect headphones to [PHONE] on the TV-R7100. Adjust the audio output level by [LEVEL].

- Stereo headphones are effective for receiving FM broadcasts.

Push [MUTING] IN when searching for FM broadcasts with the main dial. The muting function cuts out noises when no signal is received.

- When the muting function is activated, the IC-R7100 cannot catch weak signals.

Others

A video input terminal is necessary on your television or video recorder in order to use the TV-R7100.

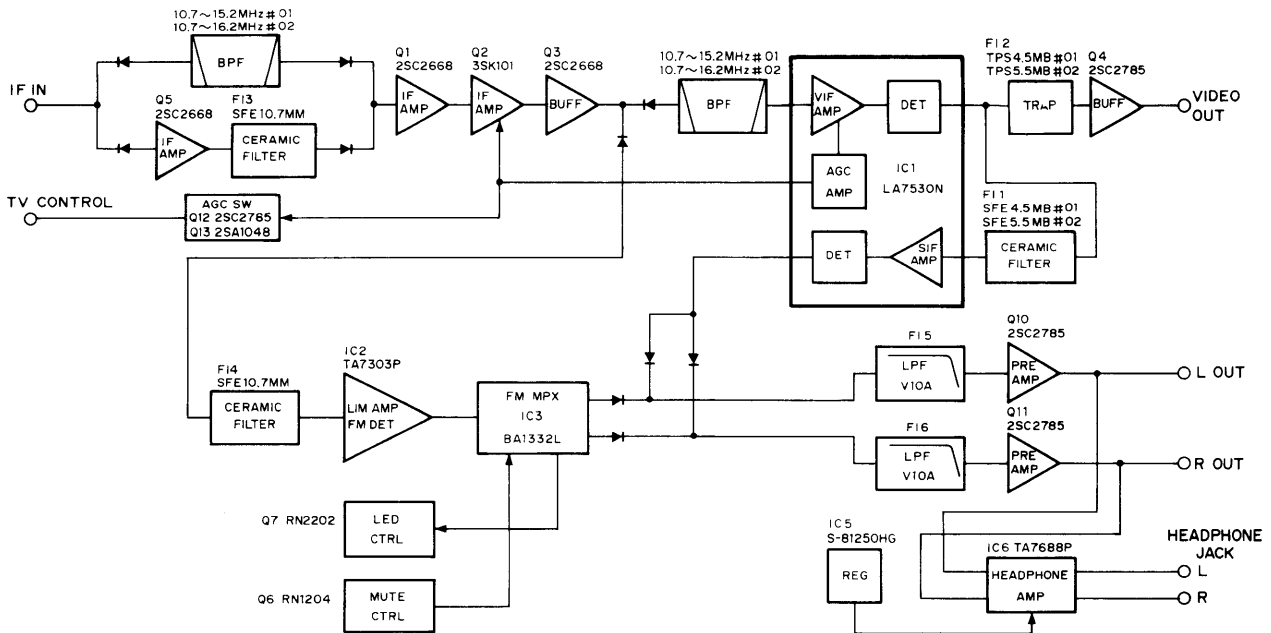
If your TV-R7100 has difficulties, check these restrictions on the capability of TV-R7100.

- The TV-R7100 corresponds only to NTSC (U.S.A. version) or the PAL system (Europe version). Signals from SECAM cannot be converted.

- FM as TV modulation cannot be converted in the TV-R7100. Only AM as TV modulation is available.

- The bandwidth between the sound frequency and picture frequency has been set at 4.5 MHz for the NTSC system and 5.5 MHz for the PAL system. For systems with other bandwidths, video and audio signals cannot be received simultaneously.

BLOCK DIAGRAM



#01: U.S.A. version
#02: Europe version

SPECIFICATIONS

■ GENERAL

- Power supply requirement : 9 V negative ground (supplied from the IC-R7100)
- Current drain : Approx. 100 mA (when receiving no signal)
- Dimensions : 110(W) × 35(H) × 200(D) mm; 4.3(W) × 1.4(H) × 7.9(D) in (projections not included)
- Weight : 750 g; 1.7 lb
- Usable temperature range : 0 °C ~ +50 °C; +32 °F ~ +122 °F
- Headphone jack impedance : 32 Ω (approx.)

■ TV RECEIVER

- Video carrier input frequency : 15.2 MHz (U.S.A. version)
16.2 MHz (Europe version)
- Audio carrier input frequency : 10.7 MHz
- Audio intermediate frequency : 4.5 MHz (U.S.A. version)
5.5 MHz (Europe version)
- Video output level : 1 V p-p (75 Ω)
- Audio output level : 0.3 V rms with a 47 kΩ load (U.S.A. version)
0.4 V rms with a 47 kΩ load (Europe version)

■ FM RECEIVER

- Intermediate frequency : 10.7 MHz
- Selectivity : 230 kHz/−6 dB
- Audio output level : 0.3 V rms with a 47 kΩ
- Stereo separation : More than 30 dB (1 kHz)