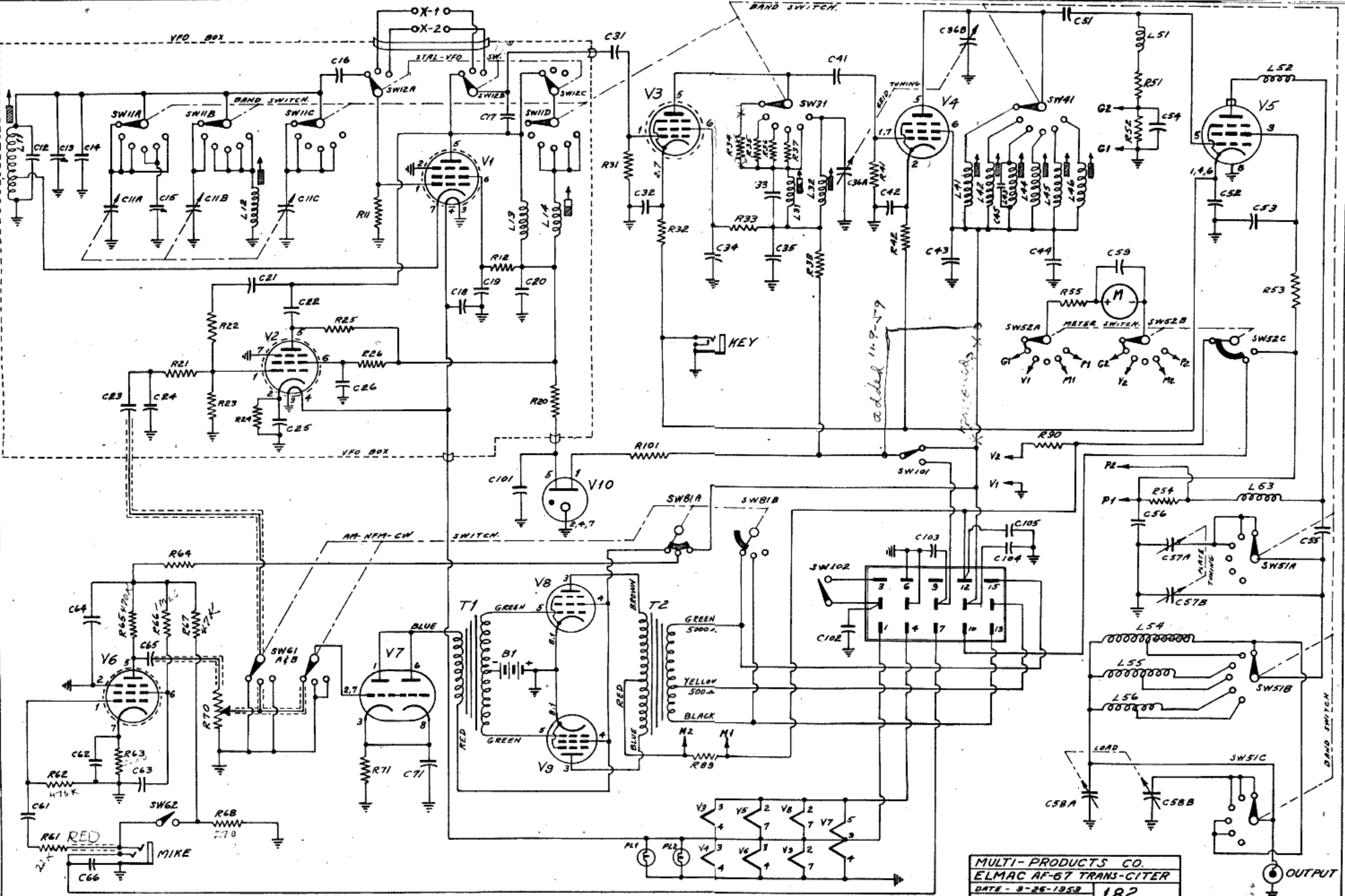


4.7 - SCHEMATIC WIRING DIAGRAM



MULTI-PRODUCTS CO.
 ELMAC AF-67 TRANS-CITER
 DATE - 9-25-1959
 DRAWN - G. C. LINDY