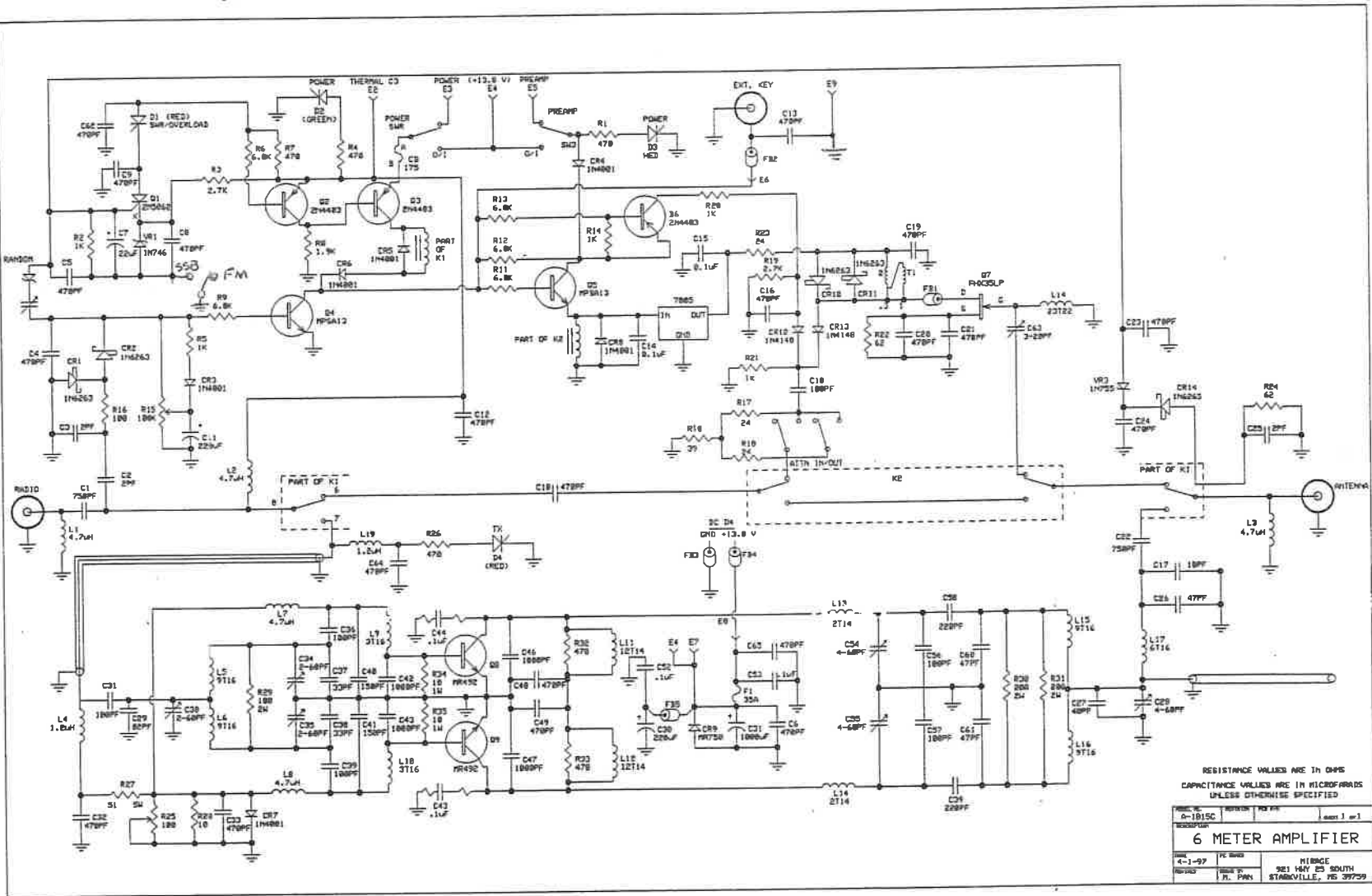


**SCHEMATIC**



RESISTANCE VALUES ARE IN OHMS  
CAPACITANCE VALUES ARE IN MICROFARADS  
UNLESS OTHERWISE SPECIFIED

REV. 0-1815C	REVISION	FIG. 10
<b>6 METER AMPLIFIER</b>		
REV. 4-1-97	PC BOARD	118782
REVISED	DESIGNED BY	281 MAY 25 SOUTH STARKVILLE, MS 39759