



SERVICE MANUAL

HF/VHF/UHF TRANSCEIVER

IC-9100

S-14721XZ-C1
Jun. 2011

Icom Inc.

INTRODUCTION

This service manual describes the latest technical information for the **IC-9100** HF/VHF/UHF TRANSCEIVER, at the time of publication.

| MODEL | VERSION |
|---------|----------|
| IC-9100 | [USA] |
| | [EUR] |
| | [EUR-01] |
| | [ITR] |
| | [ESP] |
| | [TPE] |
| | [KOR] |
| | [CHN] |
| | [FRA] |
| [EXP] | |

CAUTION

NEVER connect the transceiver to an AC outlet or to a DC power supply that uses more than the specified voltage. This will ruin the transceiver.

DO NOT expose the transceiver to rain, snow or any liquids.

DO NOT reverse the polarities of the power supply when connecting the transceiver.

DO NOT apply an RF signal of more than 20 dBm (100 mW) to the antenna connector. This could damage the transceiver's front-end.

To upgrade quality, any electrical or mechanical parts and internal circuits are subject to change without notice or obligation.



ORDERING PARTS

Be sure to include the following four points when ordering replacement parts:

1. 10-digit Icom part number
2. Component name
3. Equipment model name and unit name
4. Quantity required

<ORDER EXAMPLE>

| | | | | | |
|------------|-------|------------|---------|-----------|-----------|
| 1110003491 | S.IC | TA31136FNG | IC-9100 | MAIN UNIT | 5 pieces |
| 8820001210 | Screw | 2438 screw | IC-9100 | Top cover | 10 pieces |

Addresses are provided on the inside back cover for your convenience.

REPAIR NOTES

1. Make sure that the problem is internal before disassembling the transceiver.
2. **DO NOT** open the transceiver until the transceiver is disconnected from its power source.
3. **DO NOT** force any of the variable components. Turn them slowly and smoothly.
4. **DO NOT** short any circuits or electronic parts. An insulated tuning tool **MUST** be used for all adjustments.
5. **DO NOT** keep power ON for a long time when the transceiver is defective.
6. **DO NOT** transmit power into a Standard Signal Generator or a Sweep Generator.
7. **ALWAYS** connect a 50 dB to 60 dB attenuator between the transceiver and a Deviation Meter or Spectrum Analyzer, when using such test equipment.
8. **READ** the instructions of the test equipment thoroughly before connecting it to the transceiver.

TABLE OF CONTENTS

| | | |
|-------------------|--|-------|
| SECTION 1 | SPECIFICATIONS | |
| SECTION 2 | INSIDE VIEWS | |
| SECTION 3 | CIRCUIT DESCRIPITON | |
| 3-1 | RECEIVER CIRCUITS | 3-1 |
| 3-2 | TRANSMITTER CIRCUITS | 3-5 |
| 3-3 | FREQUENCY SYNTHESIZER CIRCUITS | 3-8 |
| 3-4 | VOLTAGE DIAGRAMS | 3-10 |
| 3-5 | PORT ALLOCATIONS | 3-10 |
| SECTION 4 | ADJUSTMENT PROCEDURES | |
| 4-1 | PREPARATION | 4-1 |
| 4-2 | ADJUSTMENTS ON THE PLL UNIT | 4-2 |
| 4-3 | ADJUSTMENT ON THE MAIN UNIT | 4-5 |
| 4-4 | ADJUSTMENT ON THE PA-B UNIT | 4-5 |
| 4-5 | ADJUSTMENTS ON THE RF-A UNIT | 4-6 |
| 4-6 | ADJUSTMENTS ON THE RF-B UNIT | 4-8 |
| 4-7 | ADJUSTMENT ON THE CTRL UNIT | 4-10 |
| 4-8 | ADJUSTMENTS ON THE FUNCTION DISPLAY | 4-11 |
| SECTION 5 | PARTS LIST | |
| SECTION 6 | MECHANICAL PARTS | |
| SECTION 7 | BOARD LAYOUTS | |
| | DISPLAY BOARD AND DC-DC UNIT | 7-1 |
| | PLL UNIT | 7-3 |
| | MAIN UNIT | 7-5 |
| | CONNECT UNIT | 7-7 |
| | PA-A UNIT | 7-9 |
| | PA-B UNIT | 7-11 |
| | NETWORK UNIT | 7-13 |
| | CTRL UNIT | 7-15 |
| | BPF, JACK, MIC, VR-A/B/C, M-CH AND RIT UNITS | 7-17 |
| | RF-A UNIT | 7-19 |
| | RF-B UNIT | 7-21 |
| SECTION 8 | WIRING DIAGRAM | |
| SECTION 9 | BLOCK DIAGRAM | |
| SECTION 10 | VOLTAGE DIAGRAM | |
| | DISPLAY BOARD | 10-1 |
| | CONNECT UNIT | 10-3 |
| | MAIN UNIT | 10-6 |
| | RF-A UNIT | 10-12 |
| | RF-B UNIT | 10-14 |
| | BPF UNIT | 10-18 |
| | PA-A UNIT | 10-18 |
| | PA-B UNIT | 10-20 |
| | CTRL UNIT | 10-22 |
| | DC-DC UNIT | 10-23 |
| | NETWORK UNIT | 10-24 |
| | PLL UNIT | 10-25 |

General

- Frequency coverage : (unit: MHz)
 - Receive
 - 0.030–60.000^{*1*2}
 - 136.000–174.000^{*1*2}
 - 420.000–480.000^{*1*2}
 - 1240.000–1320.000[†]
 - Transmit
 - 1.800–1.999^{*2}, 3.500–3.999^{*2},
 - 5.330500^{*3}, 5.346500^{*3}, 5.366500^{*3},
 - 5.371500^{*3}, 5.403500^{*3},
 - 7.000–7.300^{*2}, 10.100–10.150^{*2},
 - 14.000–14.350^{*2}, 18.068–18.168^{*2},
 - 21.000–21.450^{*2}, 24.890–24.990^{*2},
 - 28.000–29.700^{*2}, 50.000–54.000^{*2}
 - 144.000–148.000^{*2}, 430.000–450.000^{*2}
 - 1240.000–1300.000[†]
- ^{*1}Some frequency bands are not guaranteed.
- ^{*2}Depending on version. ^{*3}USA version only. USB mode only.
- Mode : USB, LSB, CW, RTTY, AM, FM, DV*
 - *The optional UT-121 is required.
- No. of memory channels : 297CH (99CH × 3 band)
(396CH with UX-9100[†]; 99CH × 4 bands)
- No. of scan edge memory channels : 18CH (6 × 3 band)
(24CH with UX-9100[†]; 6CH × 4 bands)
- No. of call channels : 3CH (1 × 3 band)
(4CH with UX-9100[†]; 1CH × 4 bands)
- No. of Satellite memory channels : 20CH
- Antenna connector : SO-239 × 3
Type-N × 2*
 - *When the optional UX-9100 is installed.
- Antenna impedance : 50 Ω (at Antenna Tuner OFF)
- Usable temperature range : 0°C to +50°C (+32°F to +122°F)
- Frequency stability : Less than ±0.5 ppm 5 min. after power ON. (0°C to +50°C; +32°F to +122°F)
- Frequency resolution : 1 Hz
- Power supply : 13.8 V DC ±15% (negative ground)
- Power consumption
 - Transmit
 - Max. power : 24.0 A (HF/50/144/430 MHz band)
11.0 A (1200 MHz band)[†]
 - Receive
 - Standby : 3.0 A (HF/50/144/430 MHz band)
4.0 A (1200 MHz band)[†]
 - Max. audio : 4.5 A (HF/50/144/430 MHz band)
5.5 A (1200 MHz band)[†]
- Dimensions : 315(W) × 116(H) × 343(D) mm
(projections not included) 12.4(W) × 4.57(H) × 13.5(D) in
- Weight (approximately) : 11.0 kg; 24.2 lb
11.95 kg; 26.3 lb (with UX-9100)
- ACC connector : 13-pin
- CI-V connector : 2-conductor 3.5 (d) mm (1/8")

Transmitter

- Output power (continuously adjustable)

| Frequency band | Output power |
|-----------------------|-----------------------------|
| HF/50 MHz | 2 to 100 W (AM: 2 to 30 W)* |
| 144 MHz | 2 to 100 W |
| 430 MHz | 2 to 75 W |
| 1200 MHz [†] | 1 to 10 W |

(at 13.8 V DC/+25°C)

* In the AM mode, transmission can be performed only on the HF/50 MHz frequency band.

- Modulation system
 - SSB : Digital PSN modulation
 - AM : Digital Low power modulation
 - FM : Digital Phase modulation
 - DV* : GMSK Digital Phase modulation
- *The optional UT-121 is required.
- Spurious emission (Spurious domain)
 - HF bands : Less than –50 dB
 - 50/144 MHz band : Less than –63 dB
 - 430 MHz band : Less than –61.8 dB
 - 1200 MHz band[†] : Less than –53 dB
- (Out-of-band domain)
 - HF bands : Less than –40 dB
 - 50/144/430 MHz band : Less than –60 dB
 - 1200 MHz band[†] : Less than –50 dB
- Carrier suppression : More than 40 dB
- Unwanted sideband suppression : More than 55 dB
(1200 MHz: More than 40 dB)[†]
- ΔTX variable range : ±9.999 kHz
- Microphone connector : 8-pin connector
- Microphone impedance : 600 Ω
- ELEC-KEY connector : 3-conductor 6.35(d) mm (1/4")
- KEY connector : 3-conductor 6.35(d) mm (1/4")
- SEND connector : Phono jack (RCA)
- ALC connector : Phono jack (RCA)

[†] The optional UX-9100 is required for 1200 MHz frequency band operation.

[‡] Only when the 1200 MHz frequency band is selected.

■ Receiver

- Receive system
 - HF/50/144/430 MHz band: Double superheterodyne system
 - 1200 MHz band† : Triple superheterodyne system
- Intermediate frequencies
 - 1st : 64.455 MHz (HF/50 MHz band)
10.850 MHz (144 MHz band)
71.250 MHz (430 MHz band)
243.950 MHz (1200 MHz band)†
 - 2nd : 36 kHz (HF/50/144/430 MHz)
10.950 MHz (1200 MHz)†
 - 3rd : 36 kHz (1200 MHz)†
- Sensitivity
 - SSB, CW : 0.16 μ V (1.80–29.99 MHz)*¹
(10 dB S/N) BW=2.4 kHz 0.13 μ V (50.0–54.0 MHz)*²
0.11 μ V (144/430/1200† MHz)
 - AM (10 dB S/N) : 12.6 μ V (0.5–1.799 MHz)*¹
BW=6 kHz 2.0 μ V (1.80–29.99 MHz)*¹
1.6 μ V (50.0–54.0 MHz)*²
1.4 μ V (144/430 MHz)
 - FM (12 dB SINAD) : 0.5 μ V (28.0–29.7 MHz)*¹
BW=15 kHz 0.32 μ V (50.0–54.0 MHz)*²
0.18 μ V (144/430/1200† MHz)
 - DV (1% BER) : 1.0 μ V (28.0–29.7 MHz)*¹
CH Space=12.5 kHz 0.63 μ V (50.0–54.0 MHz)*²
0.35 μ V (144/430/1200† MHz)
- Squelch sensitivity

| Frequency band | Squelch sensitivity |
|----------------|---|
| HF | SSB : Less than 5.6 μ V* ¹ |
| | FM : Less than 0.3 μ V* ¹ |
| 50 MHz | SSB : Less than 5.6 μ V* ² |
| | FM : Less than 0.3 μ V* ² |
| 144/430 MHz | SSB : Less than 1.0 μ V |
| | FM : Less than 0.18 μ V |
| 1200 MHz† | SSB : Less than 1.0 μ V |
| | FM : Less than 0.18 μ V |

*¹ Preamp 1 is ON.

*² Preamp 2 is ON.

- Selectivity (IF filter shape is set to SHARP)
 - SSB (BW: 2.4 kHz) : More than 2.4 kHz/–6 dB
Less than 3.4 kHz/–40 dB
 - CW (BW: 500 Hz) : More than 500 Hz/–6 dB
Less than 700 Hz/–40 dB
 - RTTY (BW: 500 Hz) : More than 500 Hz/–6 dB
Less than 800 Hz/–40 dB
 - AM (BW: 6 kHz) : More than 6.0 kHz/–6 dB
Less than 10.0 kHz/–40 dB
 - FM (BW: 15 kHz) : More than 12.0 kHz/–6 dB
Less than 22.0 kHz/–40 dB
 - DV (CH space: 12.5 kHz): More than –50 dB
- Spurious and image rejection ratio
 - HF/50 MHz band* : More than 70 dB
*except IF through on 50 MHz band
 - 144/430 MHz band : More than 60 dB
 - 1200 MHz band† : More than 50 dB
- AF output power : More than 2.0 W at 10%
(at 13.8 V DC) distortion with an 8 Ω load
- AF output impedance : 8 Ω
- RIT variable range : \pm 9.999 kHz

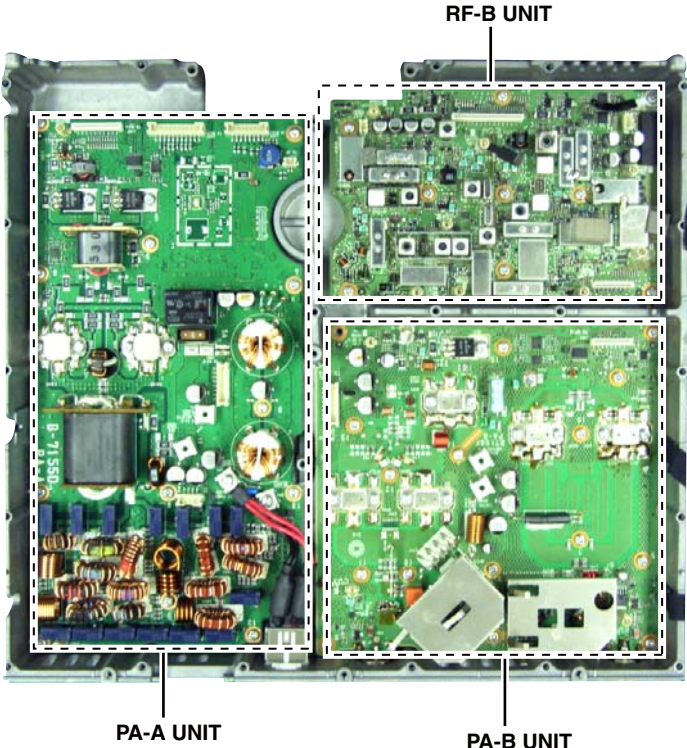
- PHONES connector : 3-conductor 6.35 (d) mm (1/4")
- External SP connector : 2-conductor 3.5 (d) mm
(1/8")/8 Ω
- DSP ANF attenuation : More than 30 dB
(with 1 kHz single tone)
- DSP MNF attenuation : More than 70 dB
- DSP NR attenuation : More than 6 dB
(noise rejection in SSB)

■ Antenna tuner

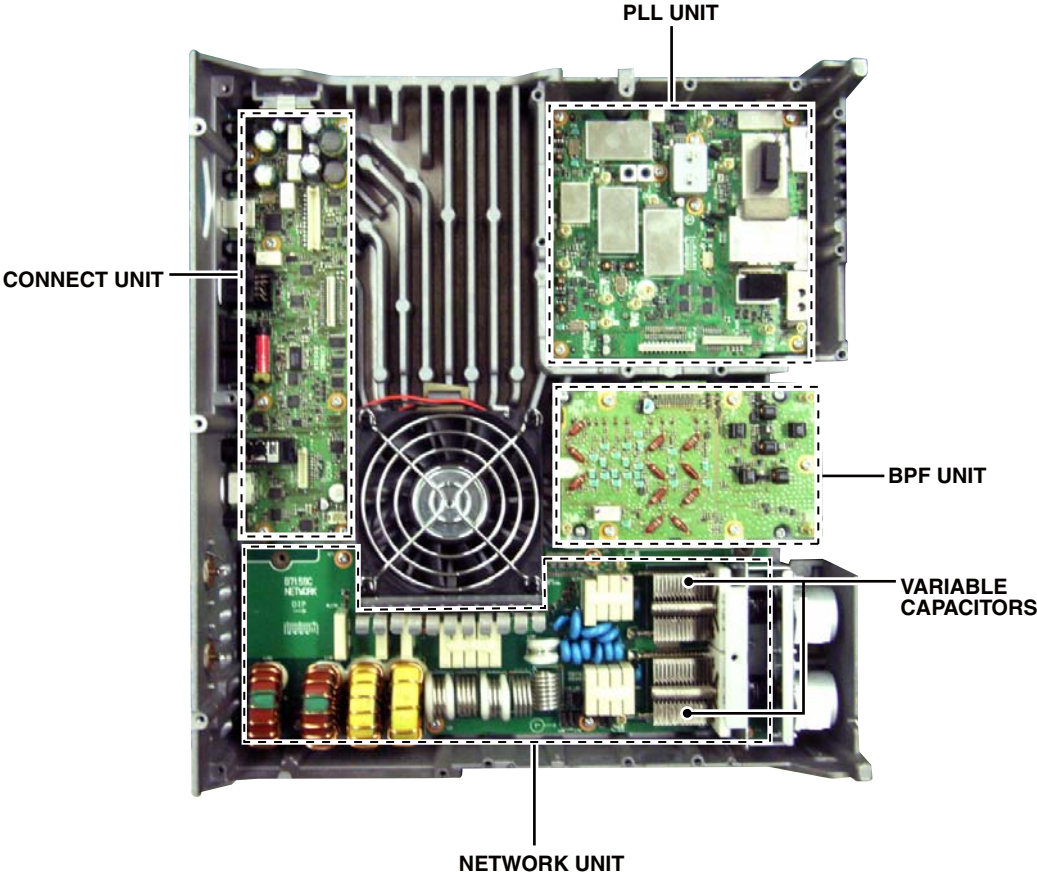
- Matching impedance range
 - HF bands : 16.7 to 150 Ω unbalanced
(Less than VSWR 1:3)
 - 50 MHz band : 20 to 125 Ω unbalanced
(Less than VSWR 1:2.5)
- Minimum operating input power : 8 W (HF bands)
15 W (50MHz band)
- Tuning accuracy : VSWR 1:1.5 or less
- Insertion loss : Less than 1.0 dB
(after tuning at RF power 100 W)

All stated specifications are typical and subject to change without notice or obligation.

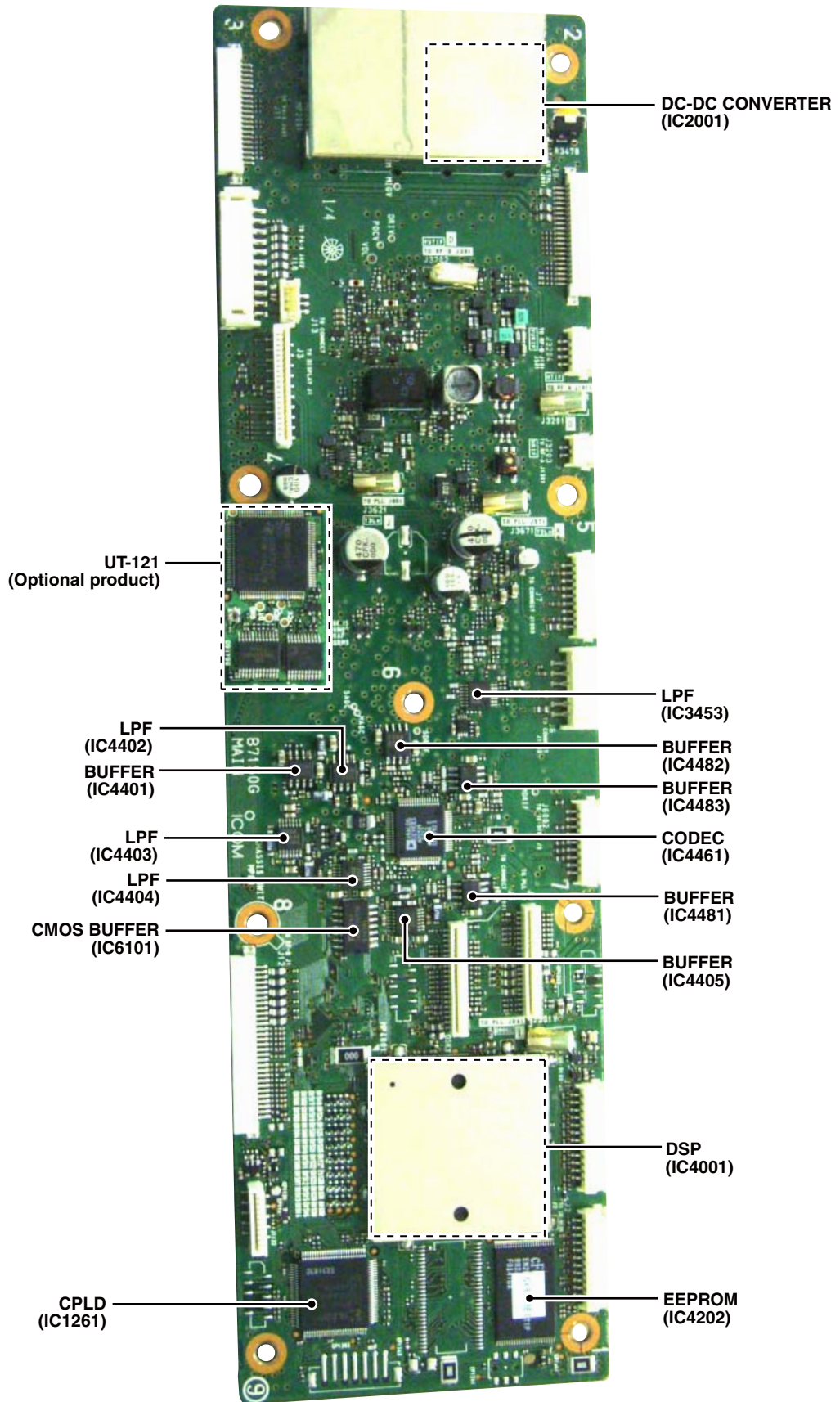
• THE VIEW FROM THE TOP OF CHASSIS



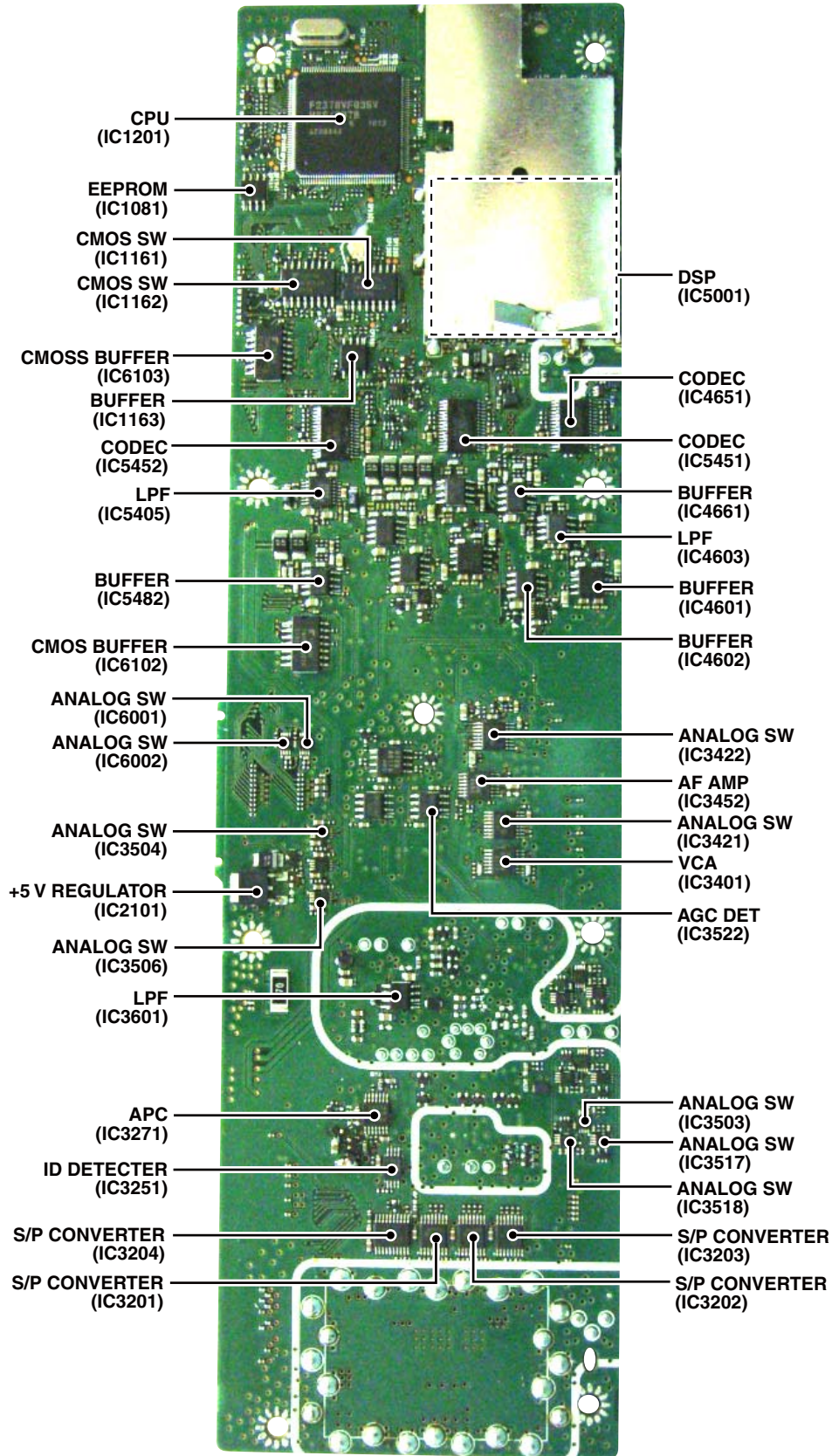
• THE VIEW FROM THE BOTTOM OF CHASSIS



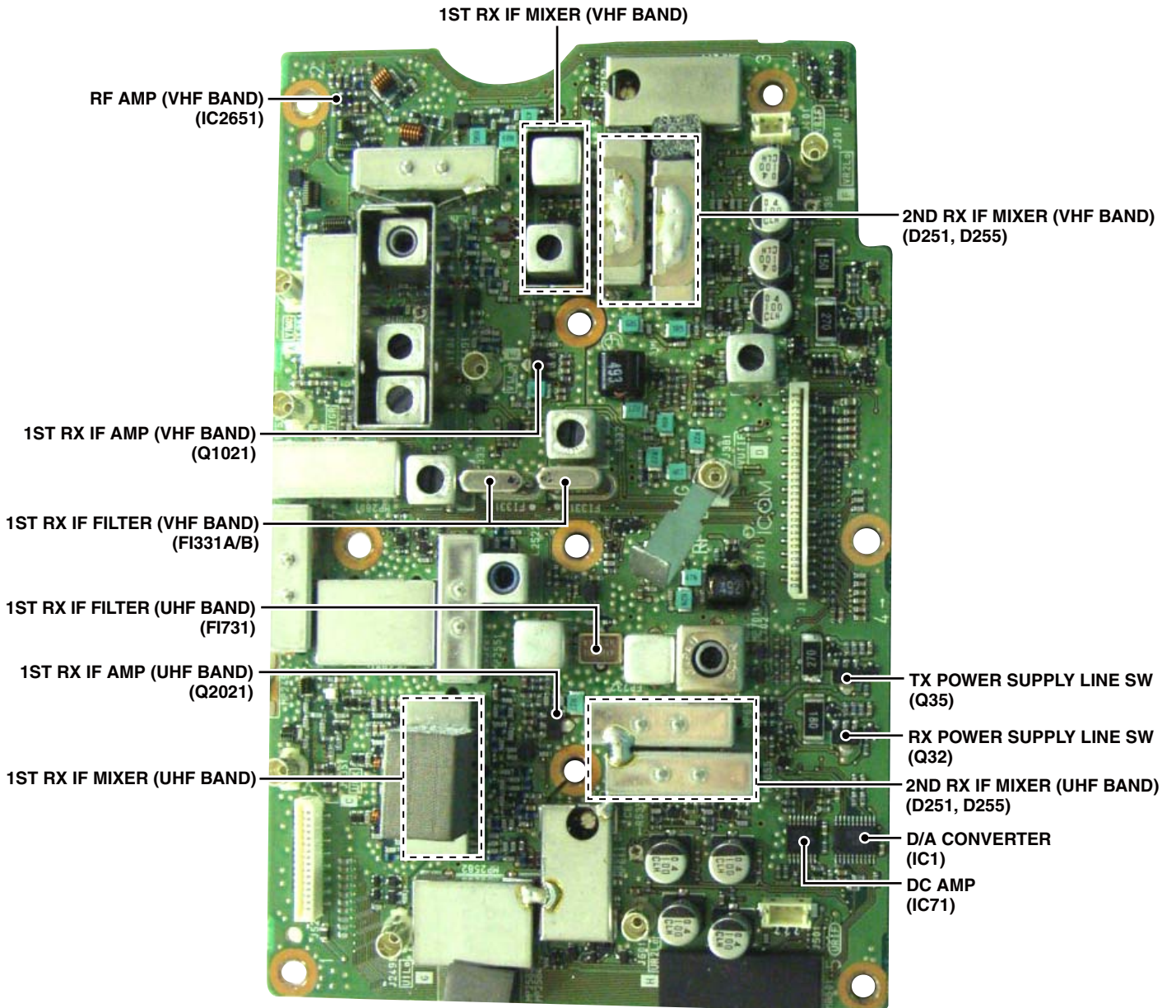
• MAIN UNIT
(TOP VIEW)



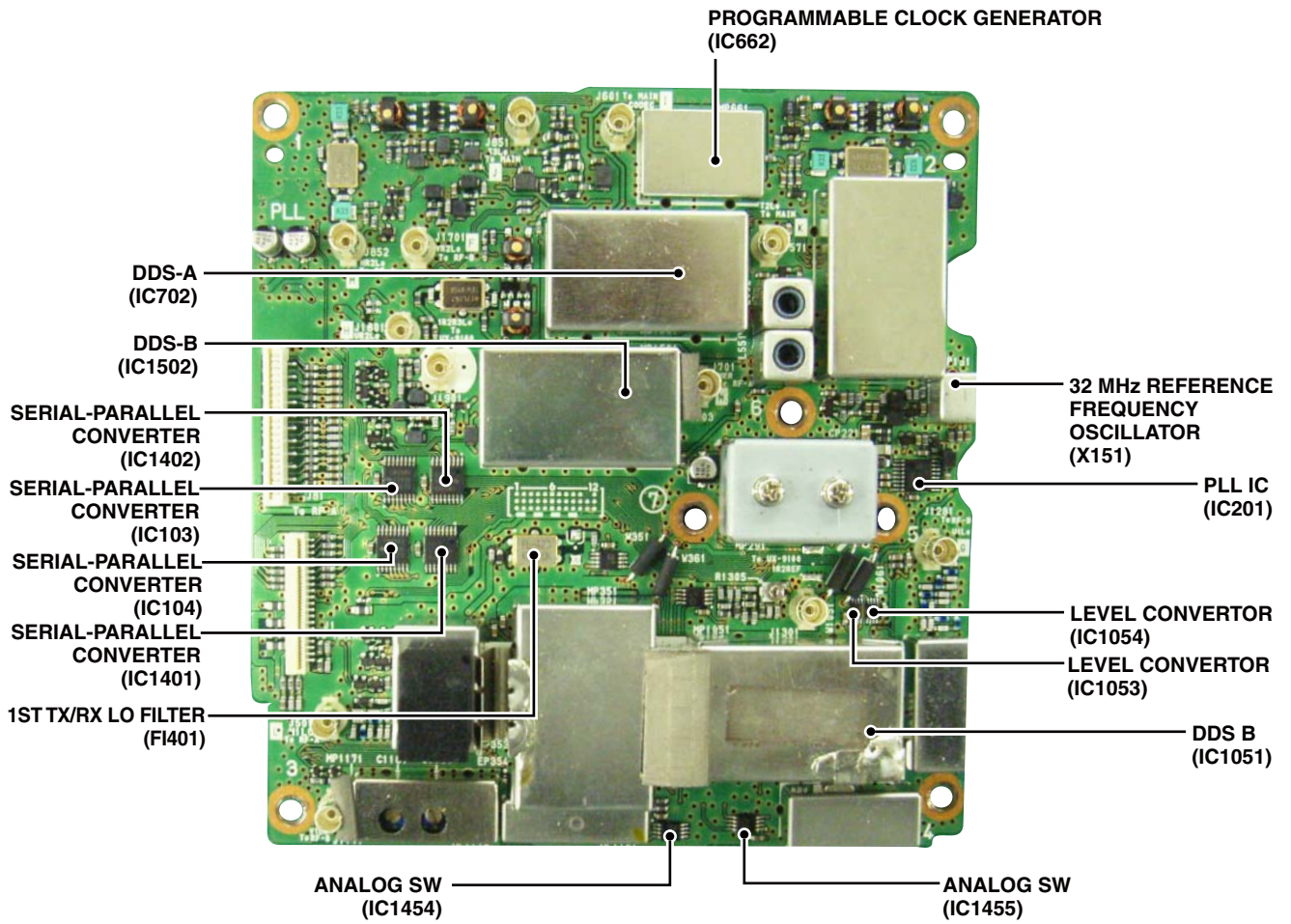
• MAIN UNIT
(BOTTOM VIEW)



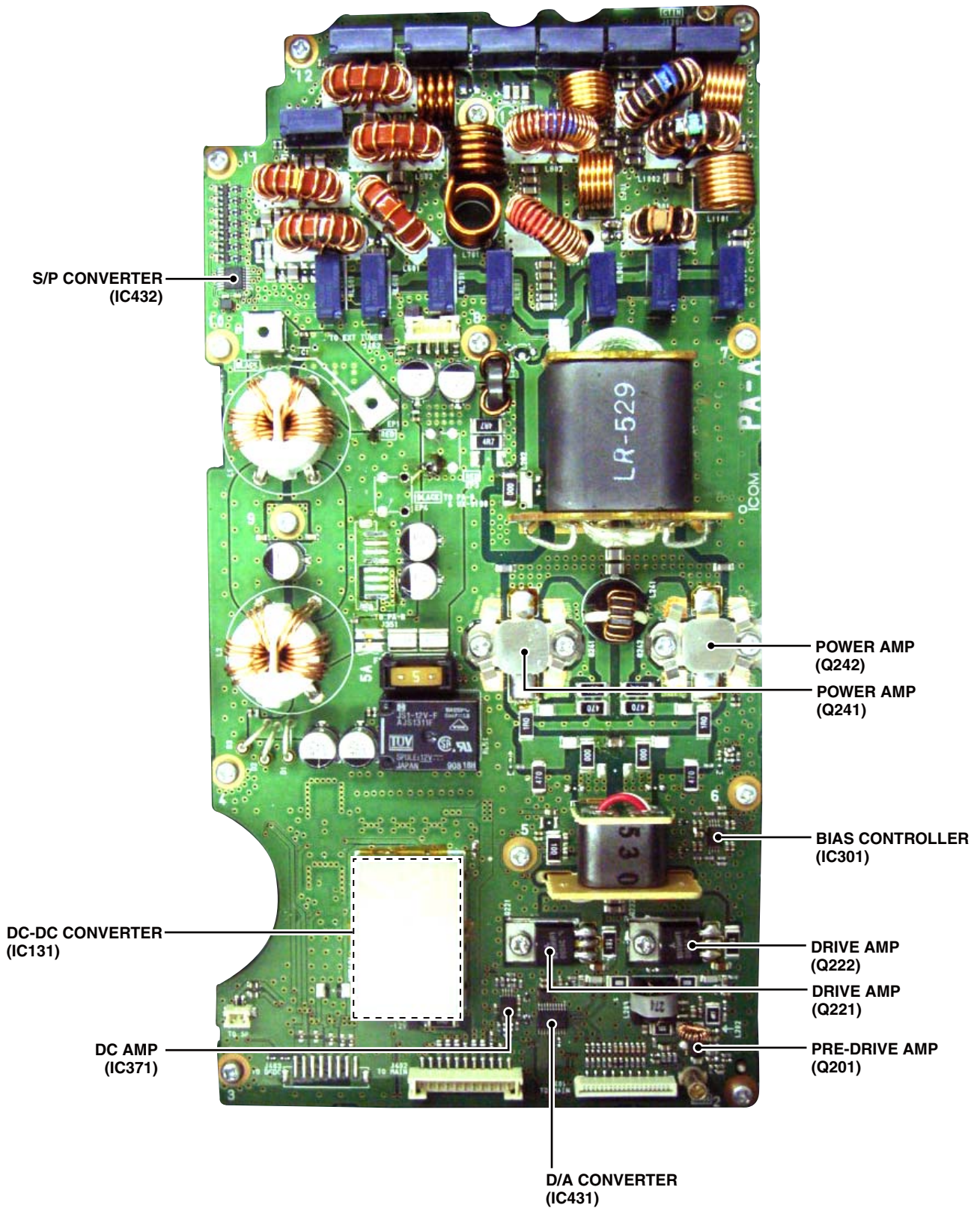
• RF-B UNIT



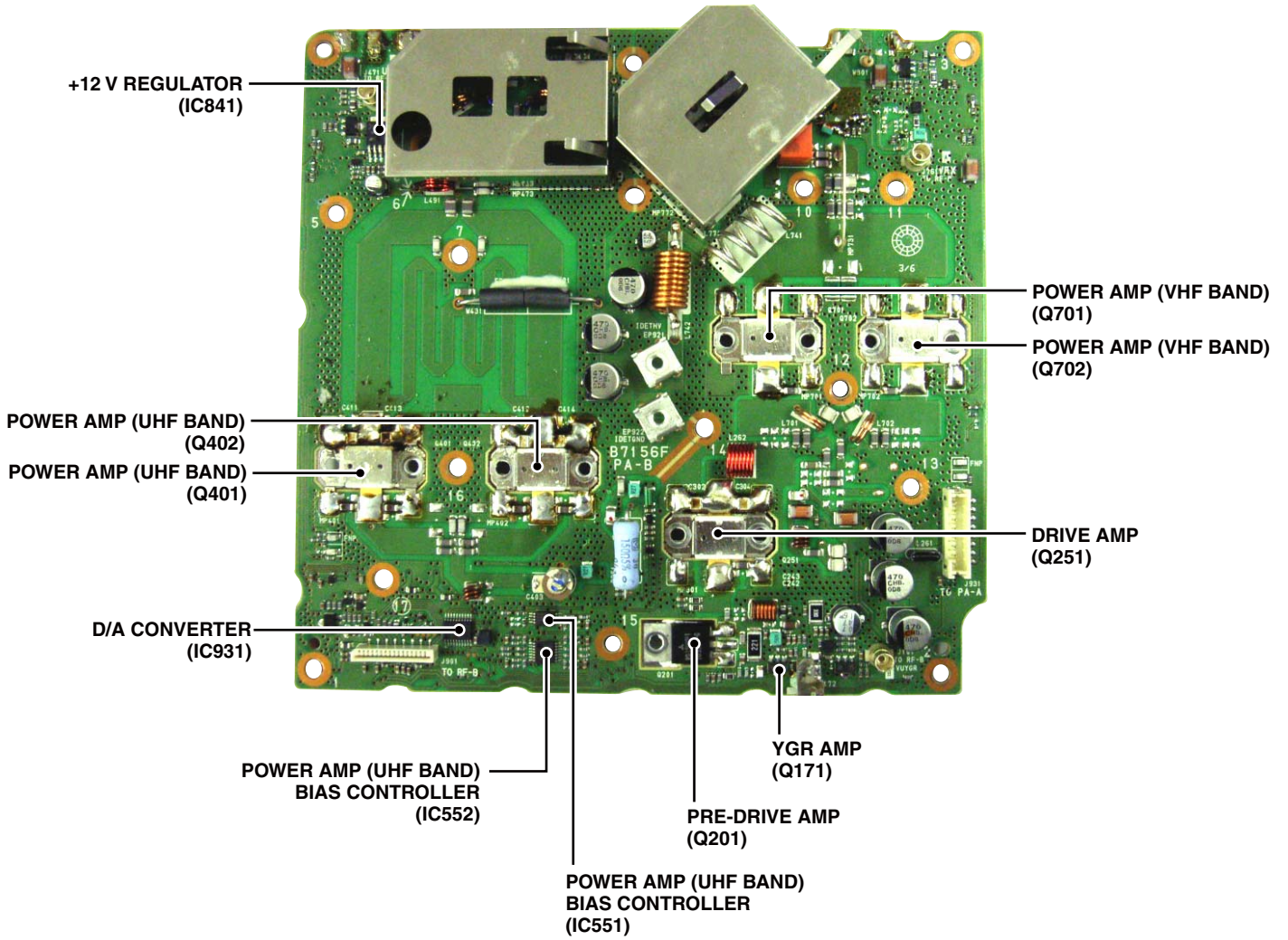
• PLL UNIT



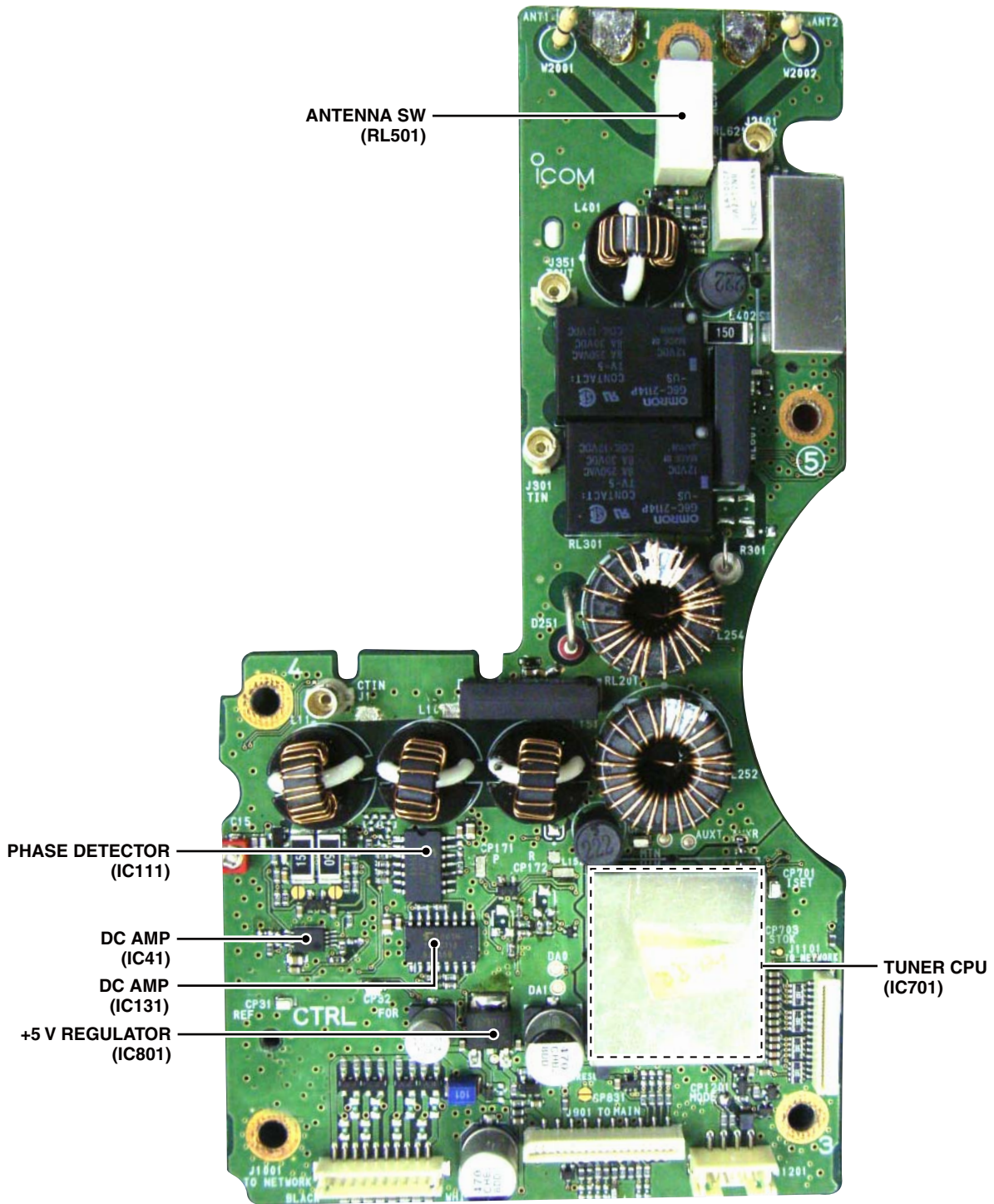
• PA-A UNIT



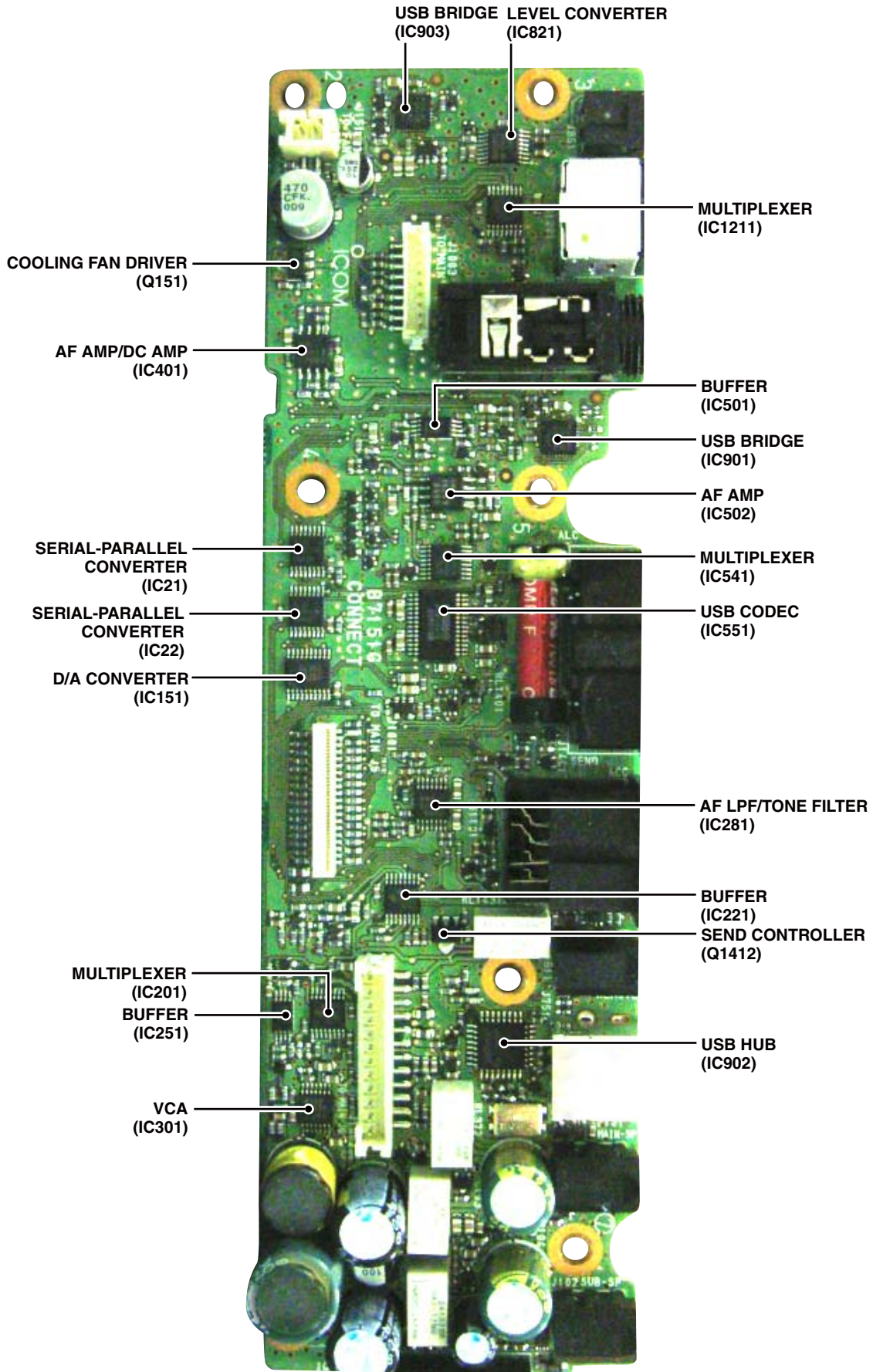
• PA-B UNIT



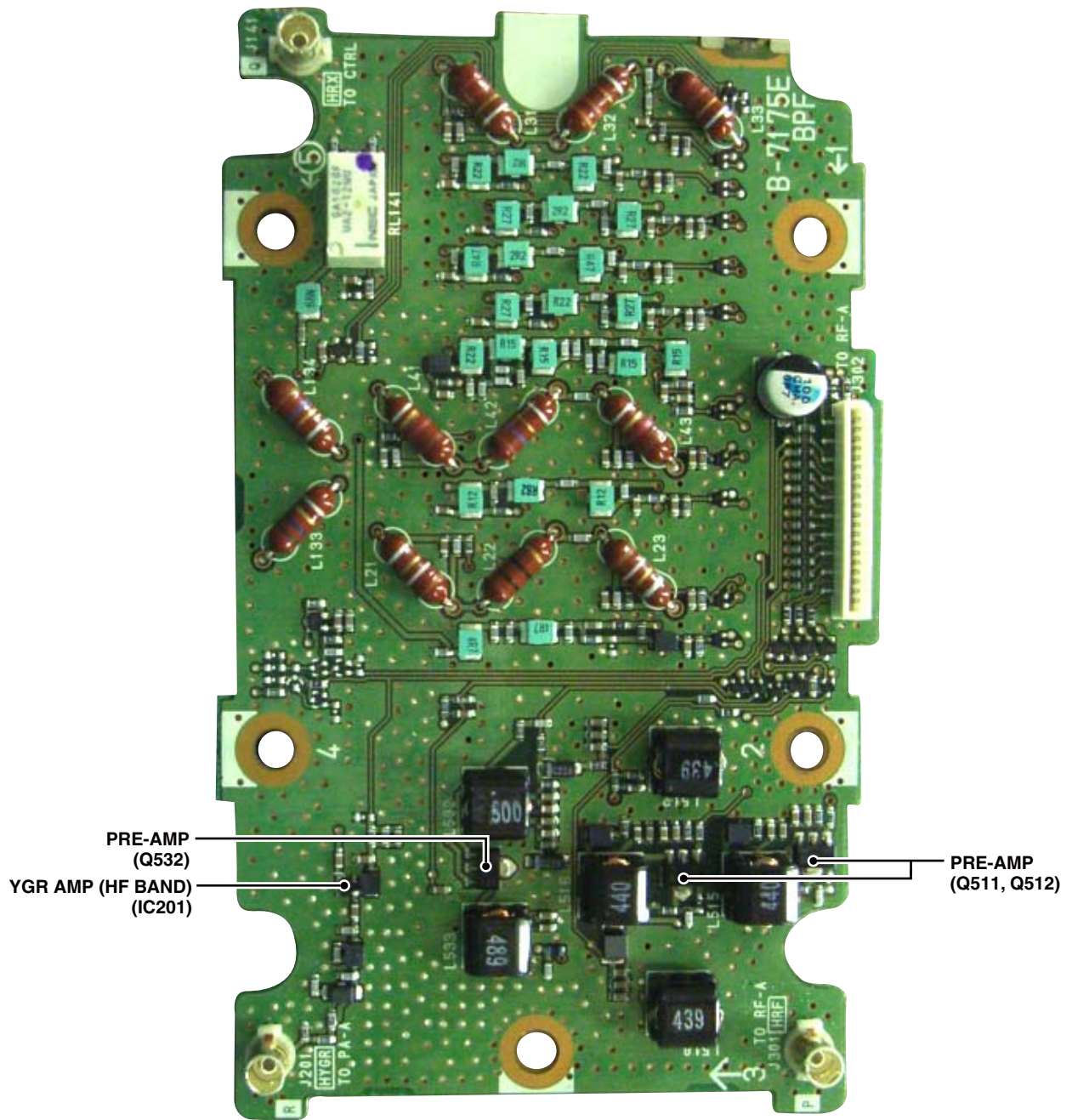
• CTRL UNIT



• CONNECT UNIT



• BPF UNIT



3-1 RECEIVER CIRCUITS

HF RF CIRCUITS

ANTENNA SWITCHING CIRCUITS (CTRL UNIT)

RX signal from the antenna connector [ANT1] (J1) or [ANT2] (J2) is passed through the antenna switch (RL501), current detector (D401, L401), tuner switches (RL301 and RL351), RX line switches (RL601 and RL621) and LPF, and then applied to the BPF UNIT.

ATTENUATOR CIRCUITS (BPF UNIT)

The RX signal from the CTRL UNIT is passed through or bypassed the attenuator circuit (RL141, R141–R143), depending on the setting.

The RX signal, which is passed through or bypassed the attenuator circuit (RL141, R141–R143), is applied to the BPF circuits.

BPF CIRCUITS (BPF UNIT)

The RX signal from the attenuator circuits is passed through an LPF or one of BPFs, depending on the operating frequency, to remove unwanted out-of-band signals.

The filtered RX signal is applied to or bypassed the preamplifier circuits.

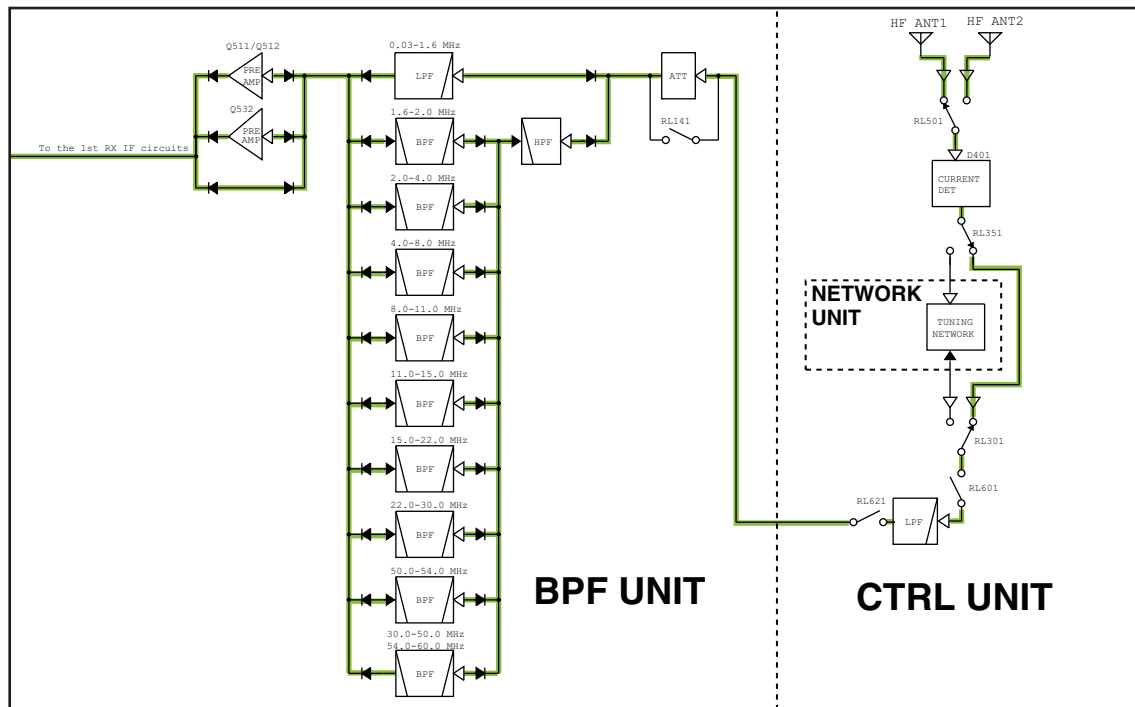
PREAMPLIFIER CIRCUITS (BPF UNIT)

The RX signal from the BPF circuits is applied to or bypassed the preamplifier.

When the Preamplifier function is activated, the RX signal is amplified by one of preamplifiers (Q511, Q512 (for 1.8–2.1 MHz) or Q532 (for 24–50 MHz)).

The amplified or bypassed RX signal is applied to the RF-A UNIT.

• HF RF CIRCUITS



VHF RF CIRCUITS (RF-B UNIT)

VHF band RX signal from the antenna connector [144MHz ANT] (CHASSIS; J1) is passed through the SWR detector (PA-B; D801, D811), LPF (PA-B; L771-L773, C771-C777), TX/RX SW (PA-B; RL751) and LPF (PA-B; L763, C770), and then applied to the RF-B UNIT.

The RX signal from the PA-B UNIT is passed through the HPF (L1353, L1354, C1355-C1357), and then passed through or bypassed the attenuator circuit (D1351-D1354, R1352-R1354), depending on the setting.

The RX signal, which is passed through or bypassed the attenuator circuit (D1351-D1354, R1352-R1354), is passed through the BPF (D1301, D1302, L1301, L1302, C1301, C1302), and then applied to the RF AMP (Q1251).

The amplified RX signal is passed through the two-staged BPF (D1209-D1211, L1202, C1203, C1206, and D1202-D1204, L1201, C1201, C1205) and HPF (L1111-L1114, C1111-C1114, C1116-C1117, C1119), and then applied to the 1st RX IF circuits.

UHF RF CIRCUITS (RF-B UNIT)

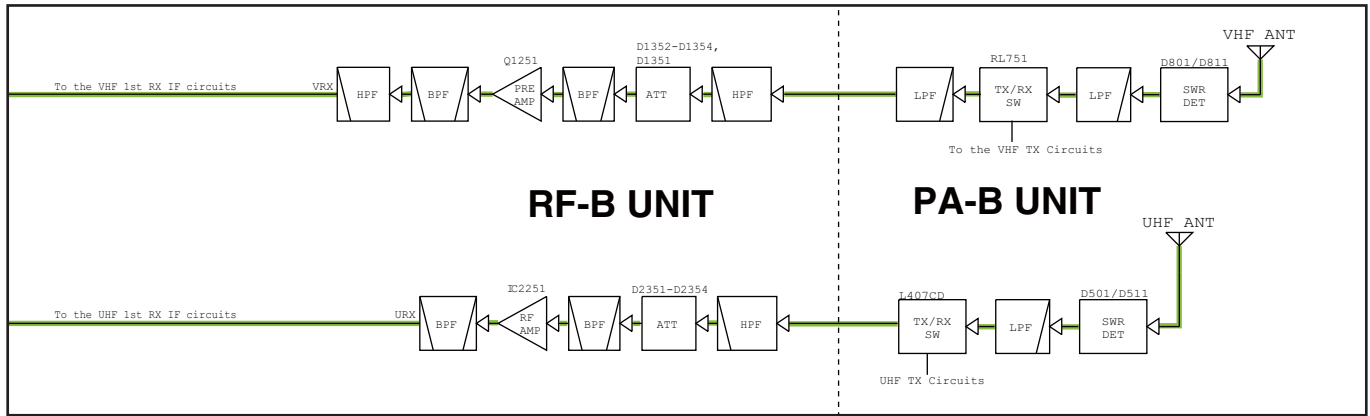
UHF band RX signal from the antenna connector [430MHz ANT] (CHASSIS; J2) is passed through the SWR detector (PA-B; D501, D511), LPF (L451, L452, C451-C455), TX/RX SW (PA-B; D471-D473) and LPF (L471, C471, C472, C475), and then applied to the RF-B UNIT.

The RX signal from the PA-B UNIT is passed through the HPF (L2361, L2362, C2361-C2363, C2359), and then passed through or bypassed the attenuator circuit (D2351-D2354, R2352, R2354, R2355), depending on the setting.

The RX signal, which is passed through or bypassed the attenuator circuit (D2351-D2354, R2352, R2354, R2355), is passed through the BPF (D2301, D2302, L2301, C2301, C2302), and then applied to the RF AMP (Q2251).

The amplified RX signal is passed through the two-staged BPF (D2201-D2203, L2204, C2202, C2204, and D2204-D2206, L2205, C2205, C2206) and HPF (L2210, C2210), and then applied to the 1st RX IF circuits.

• VHF/UHF RF CIRCUITS



HF 1ST RX IF CIRCUITS (RF-A UNIT)

The RX signal from the BPF UNIT is passed through the LPF, which removes unwanted signals (60 MHz and higher), and then applied to the 1st RX IF mixer (Q721-Q724) to be mixed with the 1st RX LO signal (64.485-124.455 MHz) from the PLL UNIT, resulting in the 64.455 MHz 1st RX IF signal.

The 1st RX IF signal is amplified by the 1st RX IF AMP (Q741) and passed through one of the 1st IF filters (FI911; FL-434, or optional FL-430 or FL-431), which has different passband widths, according to the IF filter setting.

The filtered 1st RX IF signal is amplified by the RX IF AMPs (Q1051 and Q1071, Q1072), and then applied to the 2nd RX IF circuits.

HF 2ND RX IF CIRCUITS (RF-A UNIT)

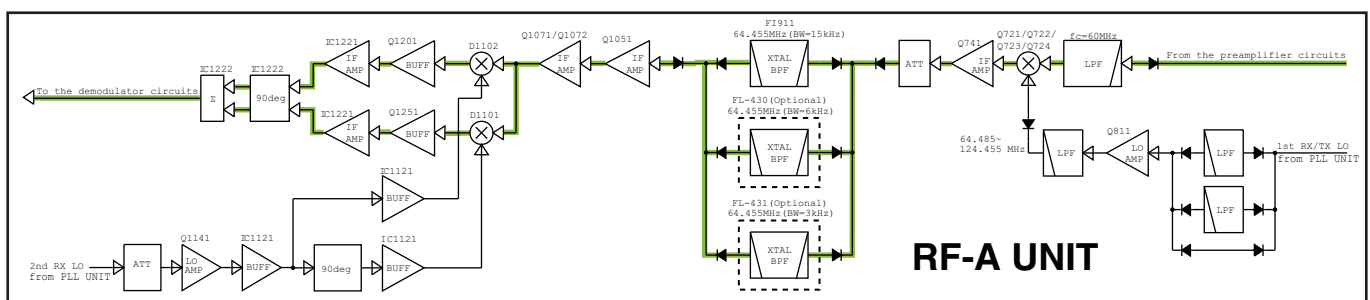
The 1st RX IF signal from the 1st RX IF circuits is divided into two paths, and then each signal is applied to the 2nd RX IF mixers (the image reduction mixers; D1102/D1101) to be mixed with the 2nd RX LO signal (64.491 MHz) from the PLL UNIT, resulting in the 36 kHz 2nd RX IF signal.

The image reduction mixer removes image frequency components by using two LO signals which are 90 degrees phase-shifted from each other.

The 2nd RX IF signals are independently amplified by the buffers (Q1201/Q1251) and IF AMPs (IC1221).

These amplified 2nd RX IF signals are 90 degrees phase-shifted and combined by the combiner (IC1222), and then applied to the MAIN UNIT.

• HF 1ST RX IF AND 2ND RX IF CIRCUITS



VHF 1ST RX IF CIRCUITS (RF-B UNIT)

The RX signal from the RF circuits is applied to the 1st RX IF mixer (Q1051–Q1054) to be mixed with the 1st RX LO signal (125.15–163.15 MHz) from the PLL UNIT, resulting in the 10.85 MHz 1st RX IF signal.

The 1st RX IF signal is passed through the 1st IF filter (FI331), amplified by two 1st RX OF AMPs (Q301, Q302 and Q311), and then applied to the 2nd RX IF circuits.

UHF 1ST RX IF CIRCUITS (RF-B UNIT)

The RX signal from the RF circuits is applied to the 1st RX IF mixer (Q2051, Q2052) to be mixed with the 1st RX LO signal (348.75–408.75 MHz) from the PLL UNIT, resulting in the 71.25 MHz 1st RX IF signal.

The 1st RX IF signal is amplified by the 1st RX IF AMP (Q2021), passed through the 1st IF filter (FI731), and then amplified by two 1st RX IF AMPs (Q701, Q702 and Q711).

The amplified 1st RX IF signal is applied to the 2nd RX IF circuits.

VHF 2ND RX IF CIRCUITS (RF-B UNIT)

The 1st RX IF signal from the 1st RX IF circuits is divided into two paths, and then each signal is applied to the 2nd RX IF mixers (the image reduction mixers; D251/D255) to be mixed with the 2nd RX LO signal (10.814 MHz) from the PLL UNIT, resulting in the 36 kHz 2nd RX IF signal.

The image reduction mixer removes image frequency components by using two LO signals which are 90 degrees phase-shifted from each other.

The 2nd RX IF signals are independently amplified by the buffers (Q151/Q141) and IF AMPs (IC121).

These amplified 2nd RX IF signals are 90 degrees phase-shifted and combined by the combiner (IC101), and then applied to the MAIN UNIT.

UHF 2ND RX IF CIRCUITS (RF-B UNIT)

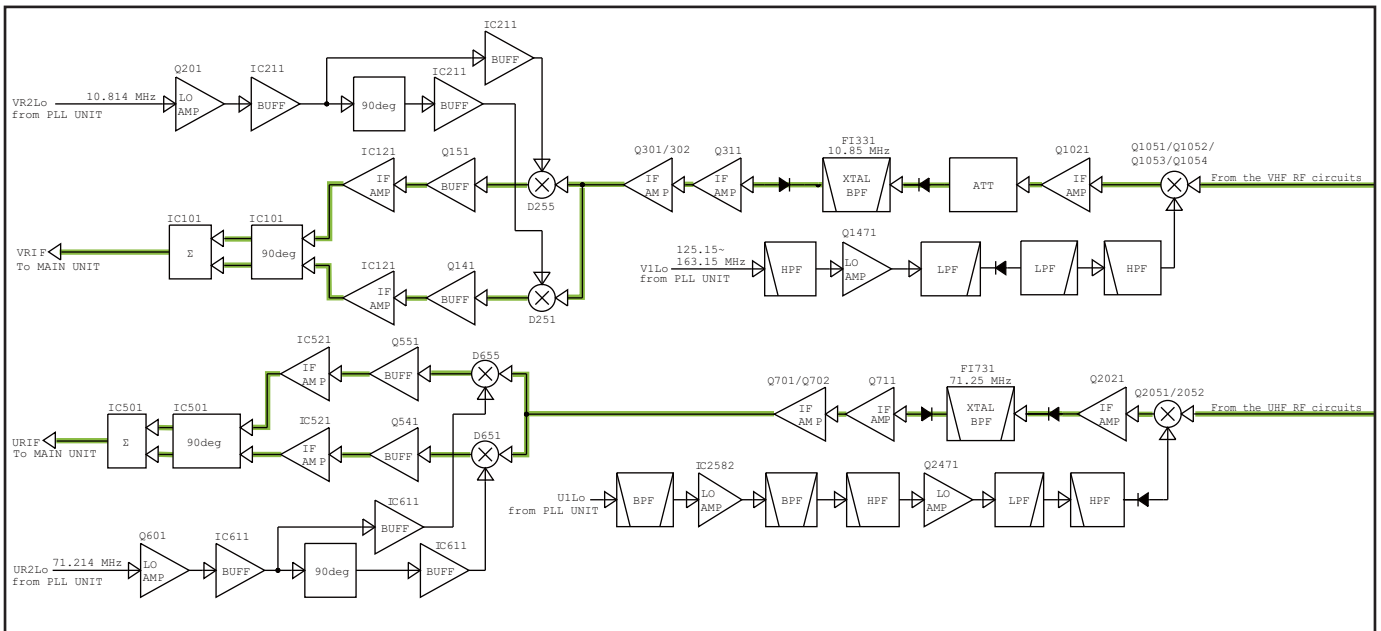
The 1st RX IF signal from the 1st RX IF circuits is divided into two paths, and then each signal is applied to the 2nd RX IF mixers (the image reduction mixers; D651/D655) to be mixed with the 2nd RX LO signal (71.214 MHz) from the PLL UNIT, resulting in the 36 kHz 2nd RX IF signal.

The image reduction mixer removes image frequency components by using two LO signals which are 90 degrees phase-shifted from each other.

The 2nd RX IF signals are independently amplified by the buffers (Q551/Q541) and IF AMPs (IC521).

These amplified 2nd RX IF signals are 90 degrees phase-shifted and combined by the combiner (IC501), and then applied to the MAIN UNIT.

• VHF/UHF 1ST RX IF AND 2ND IF CIRCUITS



DEMODULATOR CIRCUITS (MAIN UNIT)

The 2nd RX IF signal from the 2nd RX IF circuits is passed through the MAIN/SUB BAND SW (HF band; IC3501, VHF band; IC3502, UHF band; IC3503), and then applied to the demodulator circuits.

• MAIN BAND

The 2nd RX IF signal is passed through the AF SW (HF band; IC3510, VHF band; IC3514, UHF band; IC3518), RX mute SW (IC4604) and the balance-unbalance converter (Balun; IC4602/IC4603), and then applied to the CODEC (IC4651) to be converted into digital audio signal.

The converted digital audio signal is applied to the MAIN DSP (IC4001), and demodulated and processed.

The demodulated signal is applied to another CODEC (IC4461) to be converted into analog AF signal, and then applied to the buffer amplifier (IC4483).

The buffer amplified AF signal is applied to the CONNECT UNIT.

• SUB BAND

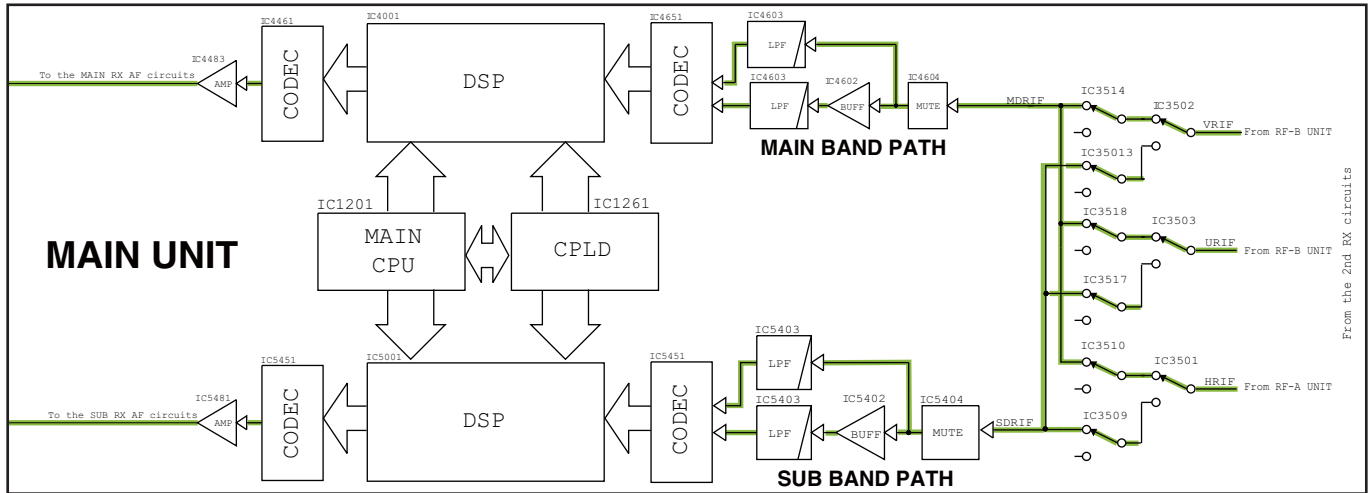
The 2nd RX IF signal is passed through the AF SW (HF band; IC3509, VHF band; IC3513, UHF band; IC3517), RX mute SW (IC5404) and the balance-unbalance converter (Balun; IC5402/IC5403), and then applied to the CODEC (IC5451) to be converted into digital audio signal.

The converted digital audio signal is applied to the SUB DSP (IC5001), and demodulated and processed.

The demodulated signal is applied to the CODEC (IC4581) again, to be converted into analog AF signal, and then applied to the buffer amplifier (IC4548).

The buffer amplified AF signal is applied to the CONNECT UNIT.

• DEMODULATOR CIRCUITS



RX AF CIRCUITS (CONNECT UNIT)

• MAIN BAND

The AF signal from the demodulator circuits is applied to the AF AMP (IC221), through the squelch gate (Q231). The amplified AF signal is applied to the Voltage Controlled Amplifier (VCA; IC301) to be adjusted in level (=audio output level), through the AF SW (IC201) which toggles the AF output lines for MAIN and SUB bands.

The level-adjusted AF signal is applied to the AF power AMP (IC351), through the mute SW (Q321) and the buffer (Q343).

The amplified AF signal is passed through the AF mute switch (RL361), and then applied to the internal speaker through RL372, or external speaker jack ([MAIN EXT-SP]; J101), or the amplified AF signal is applied to the headphones jack (JACK BORD: J2).

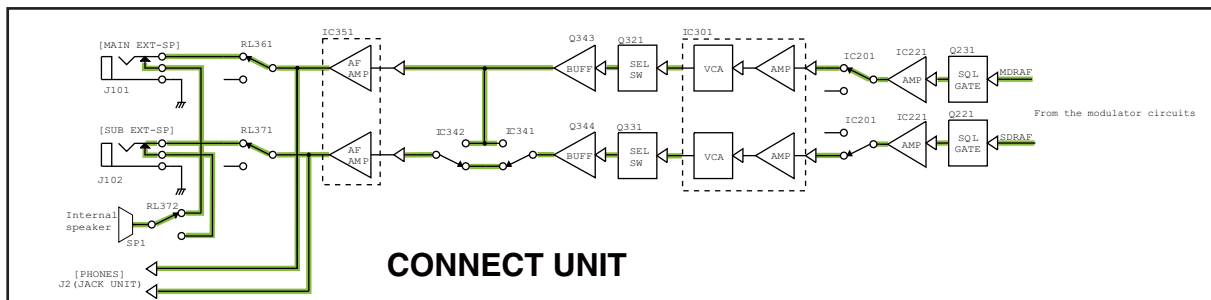
• SUB BAND

The AF signal from the demodulator circuits is applied to the AF AMP (IC221), through the squelch gate (Q221). The amplified AF signal is applied to the Voltage Controlled Amplifier (VCA; IC301) to be adjusted in level (=audio output level), through the AF SW (IC201) which toggles the AF output lines for MAIN and SUB bands.

The level-adjusted AF signal is applied to the AF power AMP (IC351), through the mute SW (Q331), the buffer (Q344) and AF line SWs (IC341 and IC342), which selects the AF output destinations from [MAIN EXT-SP] and [SUB EXT-SP].

The amplified AF signal is passed through the AF mute switch (RL371), and then applied to the internal speaker through RL372, or external speaker jack ([SUB EXT-SP]; J101), or the amplified AF signal is applied to the headphones jack (JACK BORD: J2).

• RX AF CIRCUITS



3-2 TRANSMITTER CIRCUITS TX AF CIRCUITS (MAIN UNIT)

The audio signal from the microphone (MIC signal) is applied to the MAIN UNIT, through the MICROPHONE CONNECTOR (MIC BOARD; J1), and then applied to the Voltage Controlled Amplifier (VCA; IC3401).

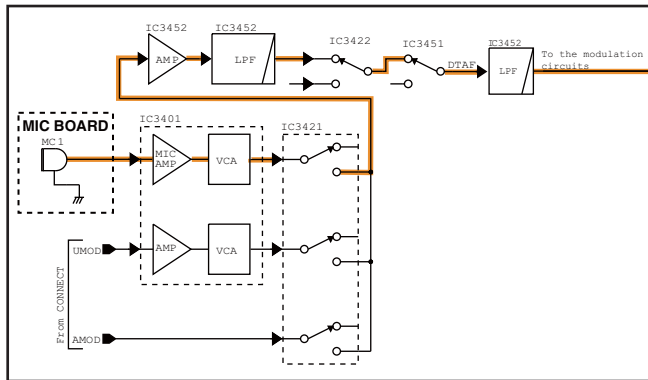
The applied MIC signal is amplified by the MIC AMP, and adjusted in level (=MIC gain) by the VCA circuit.

The level-adjusted MIC signal is passed through the MIC line SW (IC3421), amplified by the AF AMP (IC3452), and then applied to the modulation circuits, through the LPF (IC3452) and MIC line SWs (IC3422 and IC3451).

The MIC signal from the accessory socket [ACC1] on the rear panel, is directly applied to the AF AMP (IC3452), through the MIC line SW (IC3421).

The amplified MIC signal is applied to the modulation circuits.

• TX AF CIRCUITS



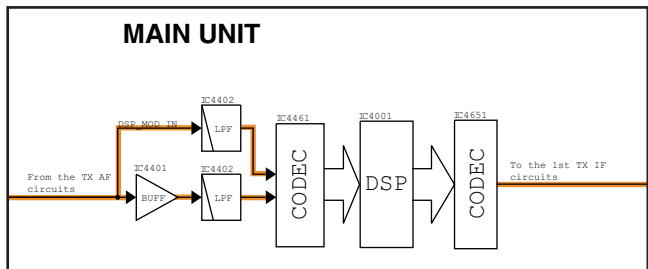
MODULATION CIRCUITS (MAIN UNIT)

The MIC signal from the TX AF circuits is passed through the Balance-Unbalance converter (Balun; IC4401, IC4402), and then applied to the CODEC (IC4461), to be converted into digital audio signal.

The converted digital audio signal is applied to the MAIN DSP (IC4001), and processed and modulated.

The modulation signal is converted into analog audio signal by the CODEC (IC4651), and then applied to the 3rd TX IF circuits, through the buffer (IC4661), as the 3rd TX IF signal.

• MODULATION CIRCUITS



3RD TX IF AND 2ND TX IF CIRCUITS (MAIN UNIT)

The 3rd TX IF signal from the modulation circuits is passed through the LPF (IC3601), and then applied to the 3rd TX mixer (IC3621) to be mixed with the 3rd TX LO signal from the PLL UNIT, resulting in the 455 kHz 2nd TX IF signal.

The converted 2nd TX IF signal is amplified by the IF AMP (Q3631), and then passed through the 2nd TX filter (FI3641). The filtered 2nd TX IF signal is amplified by the 2nd TX IF AMP (Q3651), and then applied to the 2nd TX mixer (D3671).

• HF BAND

The 2nd TX IF signal is mixed with the 64 MHz 2nd TX LO signal from the PLL UNIT, resulting in the 64.455 MHz 1st TX IF signal.

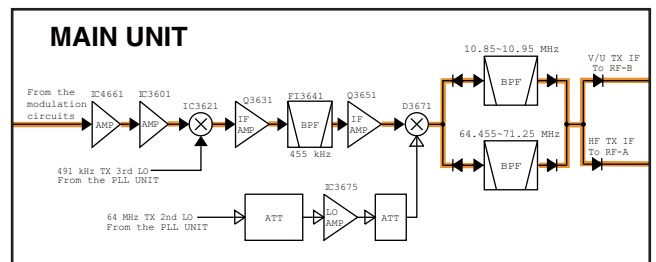
The 1st TX IF signal is applied to the 1st TX IF circuits on the RF-A UNIT, through the BPF (L3692, L3693, C3692–C3697) and band SW (D3701).

• VHF AND UHF BANDS

The 2nd TX IF signal is mixed with the 11.305 MHz (VHF band) or 71.705 MHz (UHF band) 2nd TX LO signal from the PLL UNIT, resulting in the 10.85 MHz (VHF band) or 71.25 MHz (UHF band) 1st TX IF signal.

The 1st TX IF signal is applied to the 1st TX IF circuits on the RF-B UNIT, through the BPF (VHF band; L3681–L3683, C3682, C3683, C3685–C3688 or UHF band; L3692, L3693, C3692–C3697) and band SW (D3702).

• 3RD TX IF AND 2ND TX IF CIRCUITS



1ST TX IF CIRCUITS

• HF BAND (RF-A UNIT)

The 1st TX IF signal from the 2nd TX IF circuits is passed through the 1st TX IF filter (F1911) to remove unwanted signals. The filtered signal is amplified by the IF AMP (Q611), and then applied to the 1st TX mixer (D651), through the LPF.

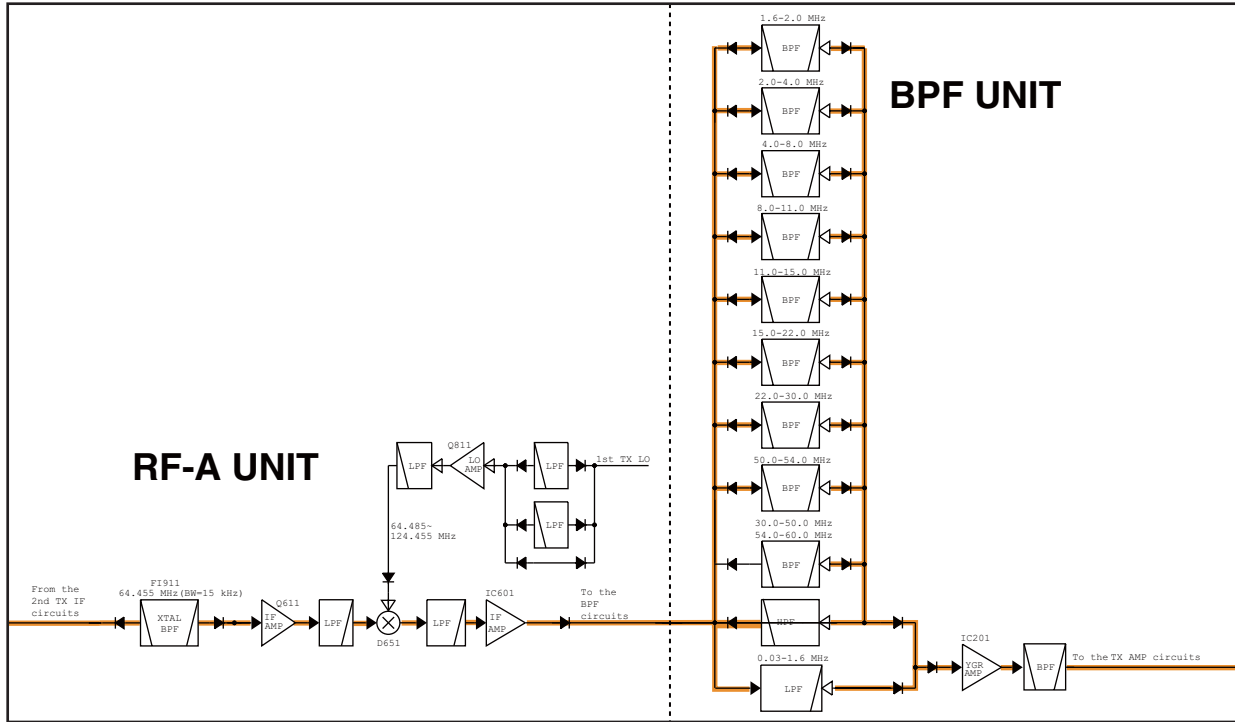
The 1st TX IF signal is mixed with the 1st TX LO signal from the PLL UNIT, resulting in the TX signal (TX frequency itself).

The converted TX signal is passed through the LPF, and amplified by the AMP (IC601), and then applied to the BPF UNIT.

The TX signal from the 1st TX IF circuits is passed through an LPF or one of BPFs, depending on the transmitting frequency, to remove unwanted signals contained in the TX signal.

The filtered TX signal is amplified by the YGR AMP (BPF UNIT; IC201), and then applied to the PA-A UNIT.

• 1ST TX IF CIRCUITS (HF BAND)



• VHF BAND (RF-B UNIT)

The 1st TX IF signal from the 2nd TX IF circuits is passed through the tree-staged BPF (L361–L363, C362–C364) and BPFs (L332, C333 and FI331) to remove unwanted signals, and then and amplified by the 1st TX IF AMP (Q1521). The amplified signal is applied to the 1st TX mixer (Q1551, Q1552). The 1st TX IF signal is mixed with the 1st TX LO signal from the PLL UNIT, resulting in the TX signal (TX frequency itself).

The converted TX signal is passed through the BPF (D1611, D1612, L1611, L1612, C1612–C1615), and then applied to the YGR AMP (IC1651). The amplified TX signal is applied to the PA-B UNIT, through the BPF (D1671, D1672, L1671, L1672, C1672–C1675).

• UHF BAND (RF-B UNIT)

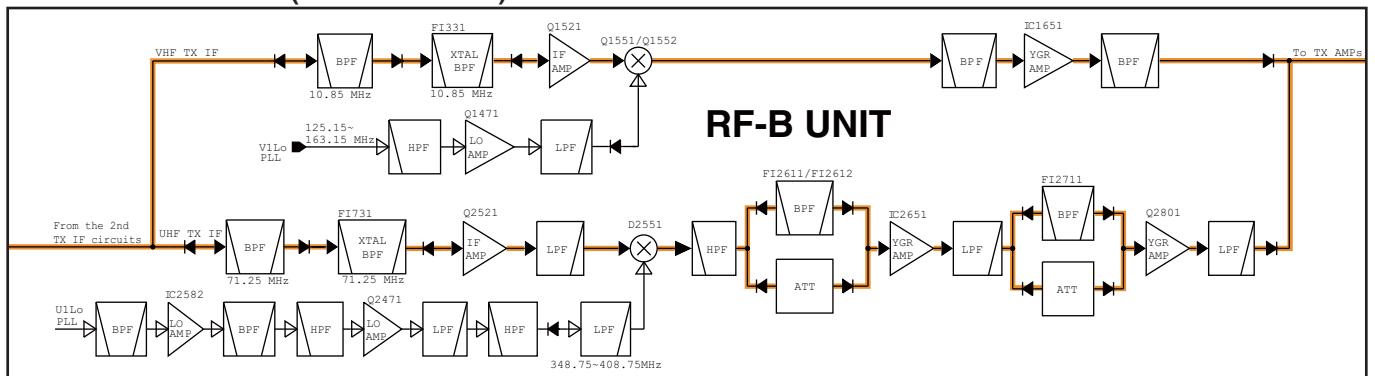
The 1st TX IF signal from the 2nd TX IF circuits is passed through the BPFs (L761–L763, C762–C764 and FI731) to remove unwanted signals, and then and amplified by the 1st TX IF AMP (Q2521). The amplified signal is applied to the 1st TX mixer (D2551), through the LPF (L2551, C2551–C2553).

The 1st TX IF signal is mixed with the 1st TX LO signal from the PLL UNIT, resulting in the TX signal (TX frequency itself).

The converted TX signal is passed through the HPF (L2611, C2612, C2615, C2616) and passed through or by-pass the BPF (FI2611, F2612), depending on the operating frequency, and then applied to the YGR AMP (IC2651). The amplified TX signal is passed through or by-pass the BPF (FI2711), depending on the operating frequency, and then applied to another YGR AMP (Q2801).

The amplified TX signal is applied to the PA-B UNIT, through the LPF (L2831, C2831–C2833).

• 1ST TX IF CIRCUITS (VHF/UHF BAND)



HF TX AMPLIFIER CIRCUITS (PA-A UNIT)

The TX signal from the BPF UNIT is sequentially amplified by the pre-drive AMP (Q201), drive AMP (Q221, Q222), and power AMP (Q241, Q242).

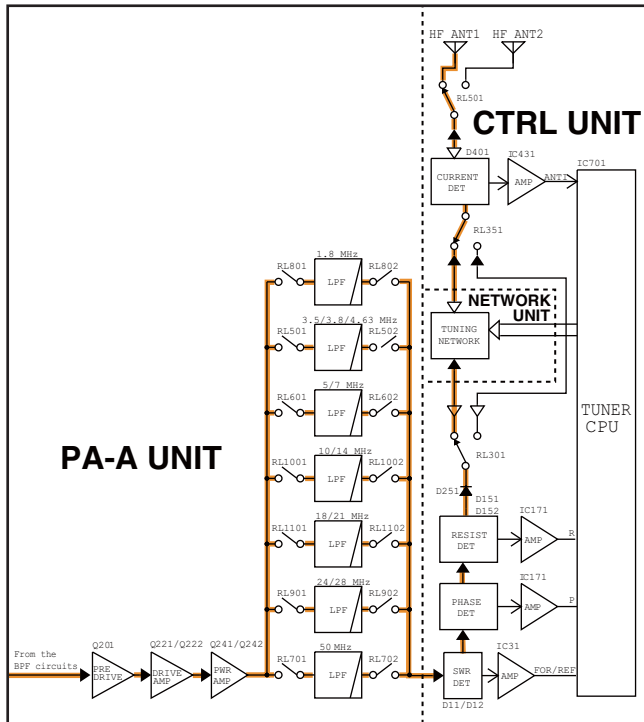
The amplified TX signal is applied to the TX filter circuits.

TX FILTER CIRCUITS (PA-A UNIT) (For only HF band)

The amplified TX signal from the power AMP (Q241, Q242) is passed through one of LPFs, depending on the transmitting frequency, to remove harmonic components contained in the TX signal.

The filtered TX signal is applied to the CTRL UNIT.

• HF TX AMPLIFIER AND FILTER CIRCUITS



ANTENNA TUNING AND SWITCHING CIRCUITS (CTRL UNIT) (For only HF band)

The TX signal from the PA-A UNIT is passed through 4 detection circuits on the CTRL UNIT, before being applied to the antenna connector [ANT1] or [ANT2].

Referring to the detected parameters, the tuner CPU (IC701) controls the tuning networks on the NETWORK UNIT, to match the transceiver and connected antenna.

SWR DETECTION CIRCUIT

The forward wave is rectified by D12 at the current detect transformer (L11). The rectified voltage is amplified by the DC AMP (IC41), and then applied to the A/D port of the tuner CPU (IC701).

The reflected wave is rectified by D11 at the current detect transformer (L11). The rectified voltage is amplified by the DC AMP (IC41), and then applied to the A/D port of the tuner CPU (IC701).

REACTANCE DETECTION CIRCUIT

The TX signal which is picked up at the current detect transformer (L101), and the TX signal which is picked up by C101, C105 and R105, are rectified by D102 and D101, and amplified by C-MOS IC (IC111).

The amplified signal is applied to IC131, through the buffer (IC121) for phase comparison. The resulting signal of phase comparison is rectified by D131 and D132, and composed and amplified by IC51, then applied to the A/D port of the tuner CPU (IC171).

RESISTANCE DETECTION CIRCUIT

A portion of the TX signal is picked up by L151 and C152, and rectified by D152 to be converted into DC voltage.

Another portion of the TX signal is rectified by D151 to be converted into DC voltage too.

And these voltages are the same when the connected load (=antenna) is matched to 50 Ω. Thus the difference of these voltages represents the resistance components.

By comparing the difference of these voltages, the transceiver detects the resistance components.

The detected resistance components are buffered by Q151 and amplified by IC171, and then applied to the A/D port of the tuner CPU (IC701).

CURRENT DETECTION CIRCUIT

A portion of the TX signal is picked up by L401, rectified by D401, and applied to IC431 to be level-compared with the voltage from the SWR detection circuit.

When the resistance of connected load (=antenna) is less than 10 Ω, the TX signal is bypassed the NETWORK UNIT, through the tuner compulsorily switches (RL301 and RL351), to protect the circuit on the NETWORK UNIT from reflected waves.

VHF/UHF TX AMPLIFIER CIRCUITS (PA-B UNIT)

• VHF BAND

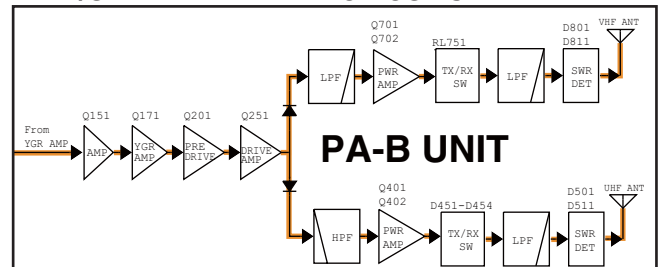
The TX signal from the RF-B UNIT is sequentially amplified by the AMP (Q151), YGR AMP (Q171), pre-drive AMP (Q201), drive AMP (Q251), and then applied to the power AMP (Q701, Q702).

The amplified TX signal is passed through the TX/RX SW (RL751), LPF(L771–L773, C771–C777) and SWR detector (D801, D811), before being applied to the antenna connector [144MHz ANT].

• UHF BAND (PA-B UNIT) The TX signal from the RF-B UNIT is sequentially amplified by the AMP (Q151), YGR AMP (Q171), pre-drive AMP (Q201), drive AMP (Q251), and then applied to the power AMP (Q401, Q402).

The amplified TX signal is passed through the TX/RX SW (D471–D473), LPF(L451, L452, C451–C455) and SWR detector (D501, D511), before being applied to the antenna connector [430MHz ANT].

• VHF/UHF TX AMPLIFIER CIRCUITS



3-3 FREQUENCY SYNTHESIZER (PLL UNIT)

REFERENCE FREQUENCY OSCILLATOR CIRCUIT

The crystal oscillator (X151) generates the 32 MHz reference frequency signal. This reference signal is applied to the Local Oscillator (LO) circuits, through the buffer (Q151) and LPF (L153, C156–158).

3RD TX LO CIRCUIT

The 32 MHz reference signal from the crystal oscillator (X151) is doubled by the doubler (Q551, L551, L552), resulting in the 64 MHz reference clock signal. Using the 64 MHz reference clock signal, the 491 kHz 3rd TX LO signal is directly generated by 10-bit DDS-A (IC702) and D/A converter (R703–R722). The generated 491 kHz 3rd TX LO signal is passed through the LPF (L702, C713, C715), buffer (Q701), LO SW (D851), BPF (L851–L853, C851, C853, C855, C856, C858), and then applied to the MAIN UNIT.

2ND TX LO CIRCUIT

The 32 MHz reference signal from the reference frequency oscillator circuit is doubled by the doubler (Q551, L551, L552) to extract the 64 MHz of 2nd harmonic component. The 64 MHz signal is applied to the MAIN UNIT as the 2nd TX LO signal, through the buffer (Q571).

The 2nd TX LO signal is amplified by the LO AMP (MAIN UNIT: IC3675), and then applied to the 2nd TX mixer (MAIN UNIT: D3671).

2ND RX LO CIRCUITS

• HF BAND

The 32 MHz reference signal from the reference frequency oscillator circuit is doubled by the doubler (Q551, L551, L552), to extract the 64 MHz of 2nd harmonic component. The 64 MHz signal is amplified by the LO AMP (Q901), and then mixed with the 491 kHz signal from the 3rd TX LO circuit, by the 2nd RX LO mixer (D951), resulting in the 64.491 MHz 2nd RX LO signal. The 2nd RX LO signal is filtered by the crystal filter (FI981), and then applied to the RF-A UNIT as the 2nd RX LO signal.

The 2nd RX LO signals which are 90 degrees phase-shifted from each other, are applied to the 2nd IF mixers (RF-A UNIT; D1101 and D1102), through the buffers (RF-A UNIT; IC1121).

• VHF BAND

The 32 MHz reference signal from the crystal oscillator (X151) is doubled by the doubler (Q551, L551, L552), resulting in the 64 MHz reference clock signal. Using the 64 MHz reference clock signal, the 10.814 MHz 2nd RX LO signal is directly generated by 10-bit DDS-A (for MAIN BAND; IC702, for SUB BAND; IC1502) and D/A converter (for MAIN BAND; R703–R722, for SUB BAND; R1503–R1522).

The generated 10.814 MHz 2nd RX LO signal is passed through the LPF (for MAIN BAND; L702, C713, C715, for SUB BAND; L1521, C1509, C1511), buffer (for MAIN BAND; Q701, for SUB BAND; Q1501), LO SW (for MAIN BAND; D1701, for SUB BAND; D1702), BPF (L851–L853, C851, C853, C855, C856, C858), and then applied to the RF-B UNIT.

The 2nd RX LO signals which are 90 degrees phase-shifted from each other, is applied to the 2nd IF mixers (RF-B UNIT; D251 and D255), through the LO AMP (RF-B UNIT; Q201), buffers (RF-B UNIT; IC211).

• UHF BAND

The 32 MHz reference signal from the crystal oscillator (X151) is doubled by the doubler (Q551, L551, L552), resulting in the 64 MHz reference clock signal. Using the 64 MHz reference clock signal, the 10.814 MHz 2nd RX LO signal is directly generated by 10-bit DDS-A (for MAIN BAND; IC702, for SUB BAND; IC1502) and D/A converter (for MAIN BAND; R703–R722, for SUB BAND; R1503–R1522).

The generated 10.814 MHz 2nd RX LO signal is passed through the LPF (for MAIN BAND; L702, C713, C715, for SUB BAND; L1521, C1509, C1511), buffer (for MAIN BAND; Q701, for SUB BAND; Q1501), LO SW (for MAIN BAND; D1801, for SUB BAND; D1802), BPF (L1801–L1803, C1803, C1805, C1807, C1808, C1810), and then applied to the 2nd RX LO mixer (D1872) to be mixed with the 64 MHz reference signal from the buffer (Q1851), resulting in the 71.214 MHz 2nd RX LO signal. The 2nd RX LO signal is applied to the RF-B UNIT, through the BPF (FI1881).

The 2nd RX LO signals which are 90 degrees phase-shifted from each other, is applied to the 2nd IF mixers (RF-B UNIT; D651 and D655), through the LO AMP (RF-B UNIT; Q601), buffers (RF-B UNIT; IC611).

1ST RX/TX LO CIRCUITS

The 32 MHz reference signal from the reference frequency oscillator circuit is amplified by Q201, and applied to the PLL IC (IC201) as the reference frequency signal.

The VCO (Q251), which is controlled by the PLL IC (IC201), generates the 388.5 MHz master clock signal, by using the applied 32 MHz signal as the reference.

The generated 388.5 MHz master clock signal is passed through the buffers (Q271, for MAIN BAND; Q301, for SUB BAND; Q1001) which provide the isolation between the DDS-A (IC351) and DDS-B (IC1051), and BPF (for MAIN BAND; L301–L304, C305–C312, for SUB BAND; L1001–L1004, C1005–C1011), and then applied to the DDS-A (for MAIN BAND; IC351, for SUB BAND; IC1051).

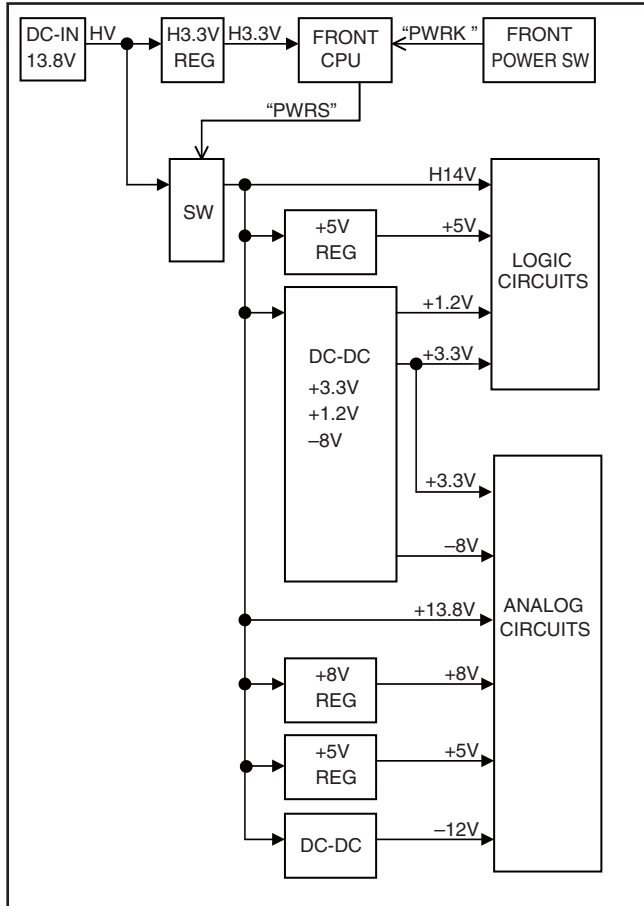
Using the applied DDS master clock signal as the reference, the DDS-A/DDS-B (MAIN BAND; IC351, for SUB BAND; IC1051) generates the 1st RX/TX LO signal. The generated 1st RX/TX LO signal is passed through the LPF (for MAIN BAND; L381, C381, C382, for SUB BAND; L1081, L1082, C1081, C1082, C1084), and then applied to each 1st RX/TX LO circuits, through the LO SW (for MAIN BAND; IC1451, for SUB BAND; IC1452).

• HF BAND

The 1st RX/TX LO signal is passed through the LO SW (IC1453), MCF notch filter (FI401), BPF (L421–L423, C421–C428 or L451–L453, C451–C458, C462; depending on the operating frequency), and amplified by the LO AMP (IC501). The amplified signal is applied to the RF-A UNIT, through the LPF (L502, L503, C504–C509), HPF (L504, C510–512).

The 1st RX/TX LO signal is passed through the harmonic filter (RF-A UNIT; L868–L870, C872–C876 or L861–L864, C866–C870 or L871, C879, C880), and amplified by the LO AMP (RF-A UNIT; Q811), and then applied to the 1st RX mixer (RF-A UNIT; Q721–Q724) or 1st TX mixer (RF-A UNIT; D651), through the LPF (RF-A UNIT; L831–L833, C831–C836) and LO SW (RF-A UNIT; D851, D852).

3-4 VOLTAGE BLOCK DIAGRAM



| Pin No. | Line Name | Description | I/O |
|---------|-----------|--|-----|
| 35 | DOTK | Ele-key input. (Dot) | I |
| 36 | DSHK | Ele-key input. (Dash) | I |
| 37 | PHNK | Headphones connection detect. H=Connected. | I |
| 40 | SPCHK | [SPEECH/LOCK] input. (Pull-up) | I |
| 43 | PBCLK | [PBT-CLK] input. (Pull-up) | I |
| 45 | RITCLK | [CLEAR] input. (Pull-up) | I |
| 46 | DTXK | [/TX] input. (Pull-up) | I |
| 47 | FILK | [FILTER] input. (Pull-up) | I |
| 48 | XFK | [XFC] input. (Pull-up) | I |
| 49 | MENUK | [MENU] input. (Pull-up) | I |
| 50 | RITK | [RIT] input. (Pull-up) | I |
| 51 | F5K | [F-5] input. (Pull-up) | I |
| 52 | F4K | [F-4] input. (Pull-up) | I |
| 53 | F3K | [F-3] input. (Pull-up) | I |
| 54 | F2K | [F-2] input. (Pull-up) | I |
| 55 | F1K | [F-1] input. (Pull-up) | I |
| 56 | NOTK | [NOTCH] input. (Pull-up) | I |
| 57 | NRK | [NR] input. (Pull-up) | I |
| 58 | ANTK | [ANT] input. (Pull-up) | I |
| 59 | TUNK | [TUNER] input. (Pull-up) | I |
| 61 | TRAK | [TRANSMIT] input. (Pull-up) | I |
| 63-70 | LD7-LD0 | LCD segment ports. | O |
| 79 | SDIALBK | [SUB] dial phase-B. | I |
| 80 | SDIALAL | [SUB] dial phase-A. | I |
| 81 | MCHBK | [M-CH] dial phase-B. | I |
| 82 | MCHAK | [M-CH] dial phase-A. | I |
| 83 | PBT2BK | [PBT] outer dial phase-B. | I |
| 84 | PBT2AK | [PBT] outer dial phase-A. | I |
| 85 | PBT1BK | [PBT] inner dial phase-B. | I |
| 86 | PBT1AK | [PBT] inner dial phase-A. | I |
| 88 | PITCHL | [CW PITCH] dial input. | I |
| 90 | NRL | [NR] dial input. | I |
| 91 | NOTL | [NOTCH] dial input. | I |
| 92 | MUDL | [MIC] Up/Down input. | I |
| 98-100 | ASL2-ASL0 | Analog SW (CD4501) control. | O |

3-5 CPU PORT ALLOCATIONS

• FRONT CPU (DISPLAY BOARD; IC401)

| Pin No. | Line Name | Description | I/O |
|---------|-----------|---|-----|
| 1 | CNT2V | LCD contrast control. (segment area) (1-2.3 V) | O |
| 2 | CNT1V | LCD contrast control. (dot area) (1-2.3 V) | O |
| 8 | STDS | TX LED control. (SUB BAND) H=Lights. (While transmitting) | O |
| 9 | SRDS | RX LED control. (SUB BAND) H=Lights. (While receiving) | O |
| 10 | FRES | Front CPU reset. L=Reset. | I |
| 19 | RITDBK | [RIT/ΔTX] dial phase-B. | I |
| 20 | RITDAK | [RIT/ΔTX] dial phase-A. | I |
| 21 | MAINDAK | [MAIN] dial phase-A. | I |
| 22 | MAINDBK | [MAIN] dial phase-B. | I |
| 23 | MTDS | TX LED control. (MAIN BAND) H=Lights. (While transmitting) | O |
| 24 | BKLV | LCD backlight control. (PWM) | O |
| 25 | MRDS | RX LED control. (MAIN BAND) H=Lights. (While receiving) | O |
| 29 | DTXD | UART port (TX) | O |
| 30 | DRXD | UART port (RX) | I |
| 33 | LTXD | Data output (UART) for the communication with the main CPU. | O |
| 34 | LRXD | Data input (UART) for the communication with the main CPU. | I |

• EXPANDER (MAIN UNIT: IC1161)

| Pin No. | Line Name | Description | I/O |
|---------|-----------|---|-----|
| 12 | FORL | Forward wave detect voltage. (A/D) | I |
| 1 | REFL | Reflected wave detect voltage. (A/D) | I |
| 14 | ALCL | ALC meter voltage input. (A/D) | I |
| 5 | IDL | Drive AMP current (ID) detect voltage. (A/D) | I |
| 4 | VDL | Drive AMP voltage (VD). (A/D) | I |
| 15 | THML | Temperature sensing voltage from the thermal sensor on the PA-A UNIT. (A/D) | I |

• MAIN CPU (MAIN UNIT: IC1201)

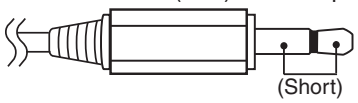
| Pin No. | Line Name | Description | I/O |
|---------|--------------|---|-----|
| 3 | VBUS | VBUS connection detect for USB HUB. H=USB connection detected. | I |
| 8 | DAVOX | MIC signal detect. H=Input detect. | I |
| 9 | CTFL | CW TX status. | I |
| 11 | RTKI | RTTY keying input. H="Space" input. | I |
| 12 | UNLK | PLL (ADF4630) unlock detect. L=Unlock detected. | I |
| 13 | DVOPT | Optional UT-121 installation detect. H=Installed. | I |
| 14 | VSQM | Squelch level input. (MAIN BAND) H=Squelch open. | I |
| 15 | VSQS | Squelch level input. (SUB BAND) H=Squelch open. | I |
| 16 | RTDM | RTTY decode data from the DSP. (MAIN BAND) | I |
| 17 | RTDS | RTTY decode data from the DSP. (SUB BAND) | O |
| 19, 20 | MHSK0, MHSK1 | Handshake signal from the DSP. (MAIN BAND) | I |
| 21, 22 | SHSK0, SHSK1 | Handshake signal from the DSP. (SUB BAND) | I |
| 23 | FRES | Front CPU reset signal. | O |
| 26 | HIFOP1K | Optional IF filter (bandwidth=6 kHz) installation detect. L=Installed. | O |
| 27 | HIFOP2K | Optional IF filter (bandwidth=3 kHz) installation detect. L=Installed. | O |
| 28 | DVMTXCK | TX clock to CMX589 modem. | O |
| 29 | DVMTXDT | TX data to the CMX589 modem. | O |
| 30 | DVMRXCK | RX clock to the CMX589 modem. | O |
| 31 | DVMRXDT | RX clock from the CMX589 modem. | I |
| 33 | UDTXD | Data output port for [USB] connector. | O |
| 35 | PWRS | Transceiver power ON/OFF control. H=Power ON. | O |
| 36 | UPWS | USB HUB power control. H=USB power ON. | O |
| 37 | H8_CS6# | Dual-port SRAM chip select signal. L=Selected. | O |
| 38 | H8_CS7# | Expander chip select signal. L=Selected. | O |
| 42 | PCK | PLL serial clock. | O |
| 43 | PDAT | PLL serial data. | O |
| 44 | PSL | PLL strobe. | O |
| 45 | PST | PLL strobe output. | O |
| 46 | SKYS | Straight key/electronic keyer input. (A/D) L=Key down. | I |
| 47 | EXRL | External SEND relay output. H=Relay ON | O |
| 48 | ESTA | External tuner "START" signal output. L=Tuning start. | O |
| 49 | EKEY | External tuner "KEY" signal input. L=While tuning/tune NG. | I |
| 51 | MCK | Common serial clock. | O |
| 52 | MDAT | Common serial data. | O |
| 53 | TCON | External tuner connection detect. | I |
| 54 | CTXD | CI-V (UART) output. | O |
| 55 | CRXD/ CBSY | CI-V (UART) input/CI-V bus busy input. L=Data "1" /Busy. | I |
| 56 | PCK/ CON0 | DDS clock. | O |

| Pin No. | Line Name | Description | I/O |
|---------|---------------|--|-----|
| 56 | DSPCK | DSP clock. | O |
| 57 | DSPR | DSP data. | O |
| 59 | UDRXD | USB data input. | I |
| 60 | MSPK | [EXT-SP] (MAIN BAND) connection detect. H=Connected. | I |
| 61 | SSPK | [EXT-SP] (SUB BAND) connection detect. H=Connected. | I |
| 63 | AMBESTB | AMBE strobe to the optional UT-121. | O |
| 65 | AMBERES | Reset signal to the optional UT-121. | O |
| 66 | AMBECLK | AMBE clock to the optional UT-121. | O |
| 67 | AMBETXD | AMBE serial data to the optional UT-121. | O |
| 68 | AMBERXD | AMBE serial data from the optional UT-121. | I |
| 73-80 | H8_D8- H8_D15 | DSP address bus. | O |
| 82 | TND | QPSK (L) decode data. | I |
| 83 | NSQ | Noise pulse input. (MAIN BAND) | I |
| 84 | PSENI | Microphone PTT input. H=While transmitting. | I |
| 85 | TRAS | SEND signal. | O |
| 88 | H8_LWR# | (Bus control) "L" write signal. L=While writing. | O |
| 89 | H8_HWR# | (Bus control) "H" write signal. L=While writing. | O |
| 89 | H8_RD# | (Bus control) Read signal. L=While reading. | O |
| 90 | PTRAS | PTT circuit control. H=While transmitting. | O |
| 92 | RES | CPU reset. H=Reset. | O |
| 94 | SENI | PTT/ACC SEND signal. H=While transmitting. | I |
| 105 | DSKY | DSP CW/RTTY keying signal. L=Key down/space. | O |
| 104 | NSQS | Noise pulse input. (SUB BAND) | I |
| 105 | DSKY | CW/RTTY keying. | O |
| 107 | DVC | DV CODEC power supply control. | O |
| 113 | MFMTL | Tone signals. (MAIN BAND) | I |
| 114 | SFMTL | Tone signals. (SUB BAND) | I |
| 115 | VOXL | VOX level input. | I |
| 116 | DPTL | "SEND" signal input from the data socket. | I |
| 121 | DX1M | TX/RX DSP data. (MAIN BAND) | I |
| 122 | DX1S | TX/RX DSP data. (SUB BAND) | I |
| 123 | OVDK | Over deviation detect. L= Over deviation detected. | I |
| 124 | THRI | Internal tuner through signal. H=Tuner through. | I |
| 125 | BEEP | Beep audio. | O |
| 126 | STON | Side tone. | O |
| 133 | LTXD | Data output (UART) for the communication with the front CPU. | O |
| 134 | LRXD | Data input (UART) for the communication with the front CPU. | I |
| 135 | PWRK | [POWER] input. (Pull-up) | I |
| 137 | EDT | EEPROM data. | I/O |
| 138 | ECK | EEPROM clock. | O |
| 140 | IKEY | Internal tuner "KEY" input (UART). L=Tuner ON. | I |
| 142 | ISTA | Internal tuner "START" signal (UART). | O |

SECTION 4 ADJUSTMENT PROCEDURE

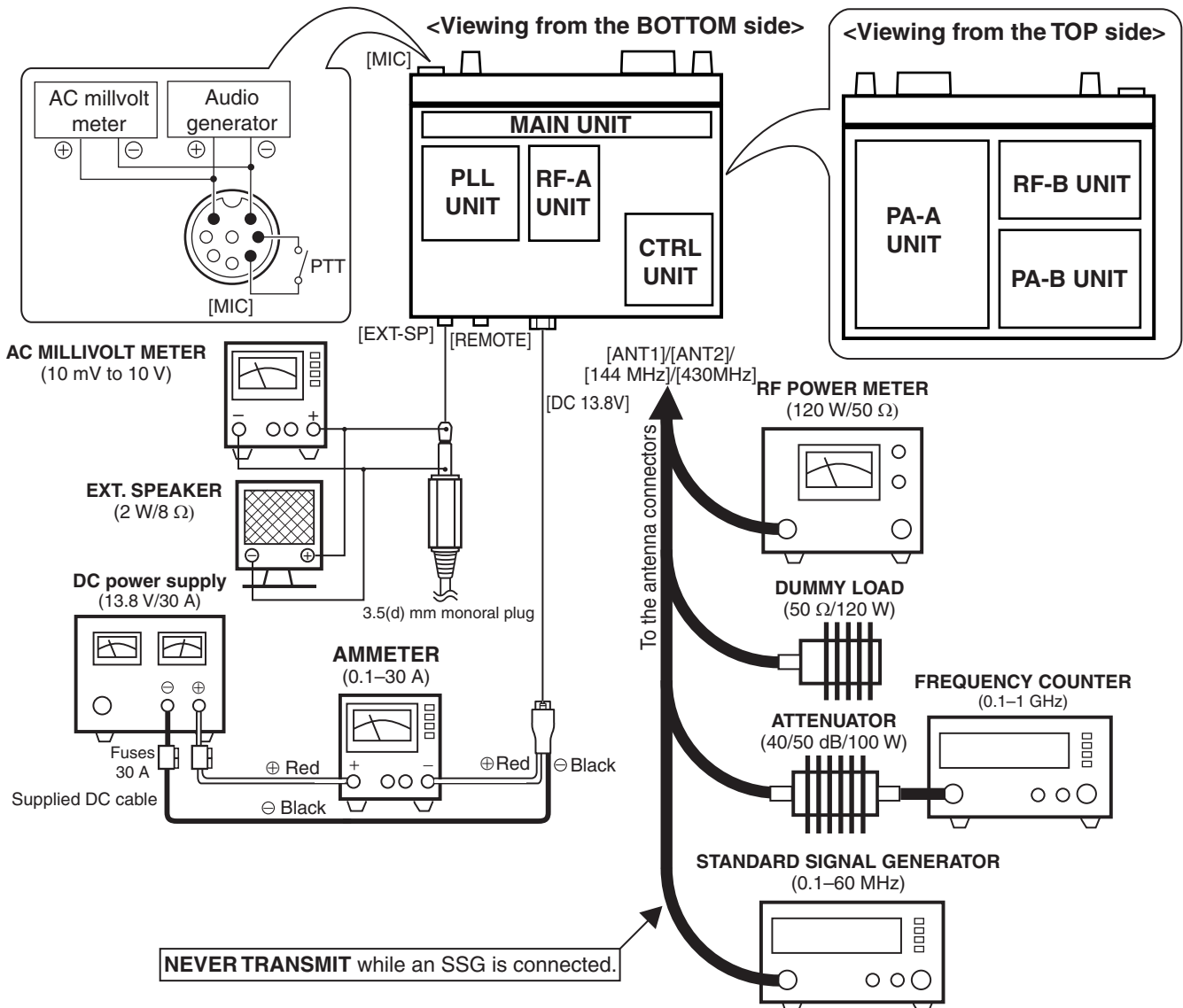
4-1 PREPARATION

REQUIRED EQUIPMENTS

| EQUIPMENT | GRADE AND RANGE | EQUIPMENT | GRADE AND RANGE |
|----------------------------------|--|----------------------|---|
| Short plug | Modified 3.5 mm (1/8") monoral plug  | Audio generator (AG) | Frequency range : 300–3000 Hz Output level : 1–500 mV |
| RF voltmeter (50 Ω terminated) | Measuring range : 20–200 mV Frequency range : 0.1–600 MHz | AC Millivoltmeter | Measuring range : 10 mV to 10 V |
| RF power meter (50 Ω terminated) | Measuring range : 5–120 W Frequency range : 0.1–600 MHz SWR : Less than 1.2 : 1 | Digital multimeter | Measuring range : 0–10 V (Voltage) 1–30 A (Current) Input impedance : More than 50 kΩ |
| Frequency counter | Frequency range : 0.1–600 MHz Frequency accuracy : ±1 ppm or better Input level : Less than 1 mW | External speaker | Input impedance : 8 Ω Capacity : More than 2 W |
| Standard signal generator (SSG) | Frequency range : 0.1–600 MHz Output level : 0.1 mV to 32 mV (–127 to –17 dBm) | Spectrum Analyzer | Frequency range : At least 90 MHz Bandwidth : 100 kHz |
| | | Dummy Loads | Impedance : 50 Ω and 100 Ω/120 W |

CAUTION!: SAVE the originally programmed contents (Memory channel contents, set mode settings, etc.), before starting adjustment. When all adjustments are completed, these contents in the transceiver may be cleared.

GENERAL CONNECTION AND UNIT LOCATION



4-2 ADJUSTMENTS ON THE PLL UNIT

| ADJUSTMENT ITEM | TRANSCIVER'S CONDITION | OPERATION | MEASURE POINT | ADJUST POINT | VALUE |
|----------------------------|---|---|---------------|---------------------------|--------------------------|
| REFERENCE FREQUENCY SIGNAL | 1 • Frequency: 14.10000 MHz • Mode: USB • Transmitting | • Connect a frequency counter to J571. | J571 | (Verify) | 64.000000 MHz (±300 Hz) |
| | 2 • Frequency: 14.10000 MHz • Mode: USB | • Connect an RF voltmeter to J571. | J571 | L551, L552 (Repeatedly) | Max. voltage |
| | 3 • Receiving | | | – | –10 dBm (±3 dB) (Verify) |
| LOCK VOLTAGE | • Frequency: 14.10000 MHz • Receiving | • Connect a voltmeter to CP221. | CP221 | (Verify) | 1.1–2.7 V |
| 1ST LO LEVEL (HF band) | 1 • Frequency: 0.03 MHz (1.8 MHz*) • Receiving | • Connect an RF voltmeter to J501. | J501 | (Verify) | +4.0 dBm (±3 dB) |
| | 2 • Frequency: 4.00 MHz (3.5625 MHz*) • Receiving | | | | |
| | 3 • Frequency: 7.90 MHz (7.10 MHz*) • Receiving | | | | |
| | 4 • Frequency: 8.00 MHz (7.10 MHz*) • Receiving | | | | |
| | 5 • Frequency: 15.00 MHz (14.35 MHz*) • Receiving | | | | |
| | 6 • Frequency: 21.90 MHz (21.45 MHz*) • Receiving | | | | |
| | 7 • Frequency: 22.00 MHz (21.45 MHz*) • Receiving | | | | |
| | 8 • Frequency: 50.00 MHz • Receiving | | | | |
| | 9† • Frequency: 60.00 MHz (50.1225 MHz*) • Receiving | | | | –1.0 dBm (±3 dB) |
| 2ND RX LO LEVEL (HF band) | • Frequency: 21.90 MHz (21.45 MHz*) • Receiving | • Connect an RF voltmeter to the J852. | J852 | (Verify) | –8.0 dBm (±3 dB) |
| 1ST LO FILTER (VHF band) | • Frequency: 146.000 MHz • Mode: USB • Receiving | • Connect an RF voltmeter to the J1171. | J1171 | C1185, C1187 (Repeatedly) | Max. voltage |
| 1ST LO LEVEL (VHF band) | 1 • Frequency: 108.000 MHz (144.000 MHz*) • Mode: USB • Receiving | • Connect an RF voltmeter to the J1171. | J1171 | (Verify) | –1.0 dBm (±3 dB) |
| | 2 • Frequency: 144.000 MHz • Mode: USB • Receiving | | | | |
| | 3 • Frequency: 148.000 MHz (146.000 MHz*) • Mode: USB • Receiving | | | | |
| | 4** • Frequency: 174.000 MHz • Mode: USB • Receiving | | | | –8.0 dBm (±3 dB) |
| 2ND RX LO LEVEL (VHF band) | • Frequency: 145.000 MHz • Mode: USB • Receiving | • Connect an RF voltmeter to the J1701. | J1701 | (Verify) | –8.0 dBm (±3 dB) |

*: For [TPE] and [KOR]. **: For only [USA], [CHN] and [EXP]

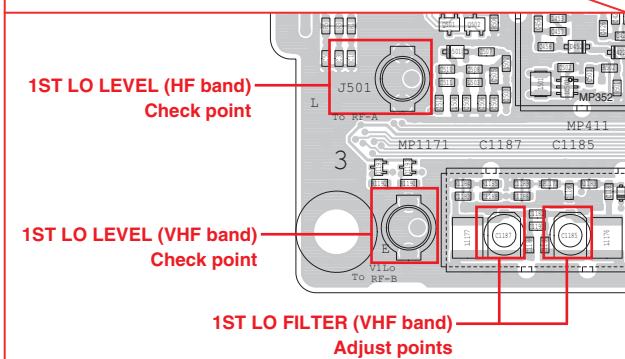
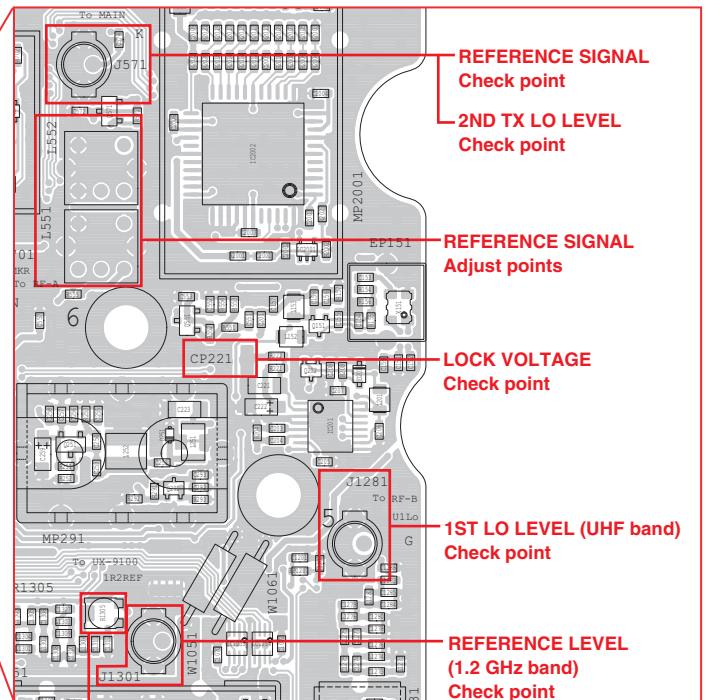
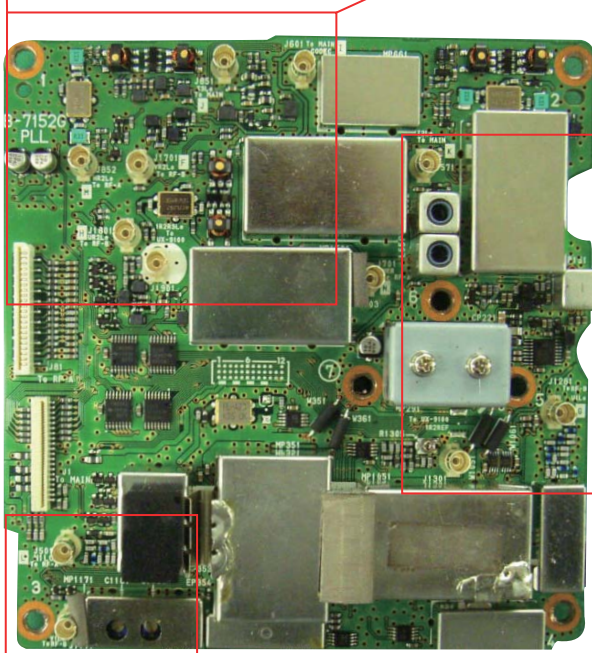
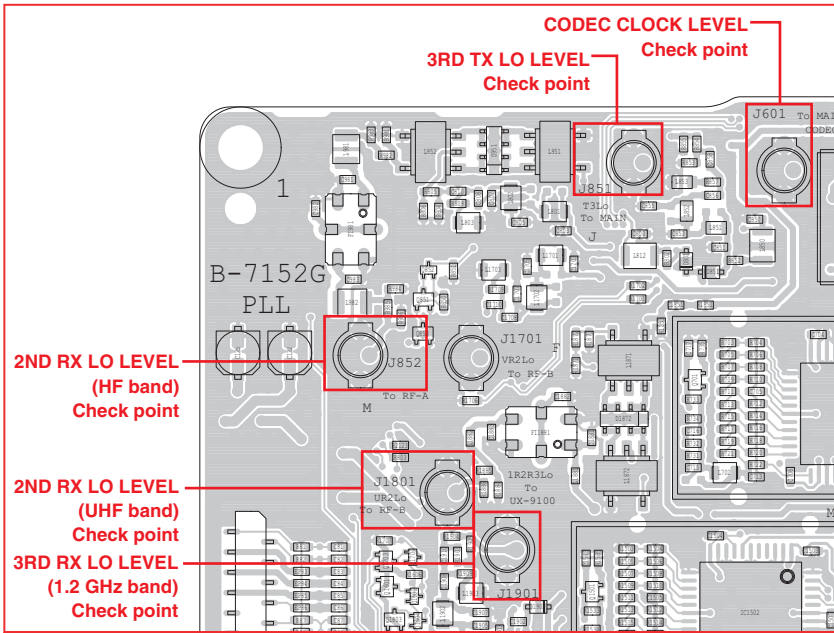
4-2 ADJUSTMENTS ON THE PLL UNIT (continued)

| ADJUSTMENT ITEM | TRANSCEIVER'S CONDITION | OPERATION | MEASURE POINT | ADJUST POINT | VALUE |
|--|--|---|---------------|--------------|---------------------|
| 1ST LO LEVEL (UHF band) | 1 • Frequency: 420.000 MHz (430.000 MHz*) • Mode: USB • Receiving | • Connect an RF voltmeter to the J1281. | J1281 | (Verify) | -3.0 dBm (±3 dB) |
| | 2 • Frequency: 440.000 MHz (430.000 MHz*) • Mode: USB • Receiving | | | | -4.0 dBm (±3 dB) |
| | 3** • Frequency: 480.000 MHz • Mode: USB • Receiving | | | | -3.0 dBm (±3 dB) |
| 2ND RX LO LEVEL (UHF band) | • Frequency: 435.000 MHz (432.000 MHz*) • Mode: USB • Receiving | • Connect an RF voltmeter to the J1801. | J1801 | (Verify) | -12.0 dBm (±3 dB) |
| REFERENCE LEVEL† (1.2 GHz band) | • Frequency: 1200.000 MHz • Mode: USB • Receiving | • Connect an RF voltmeter to the J1301. | J1301 | R1305 | -10.0 dBm (±0.5 dB) |
| 3RD RX LO LEVEL† (1.2 GHz band) | • Frequency: 1200.000 MHz • Mode: USB • Receiving | • Connect an RF voltmeter to the J1901. | J1901 | (Verify) | -8.0 dBm (±3 dB) |
| 2ND TX LO LEVEL | 1 • Frequency: 145.000 MHz • Mode: USB • Transmitting | • Connect a dummy load to [144MHz ANT]. • Connect an RF voltmeter to the J571. | J571 | (Verify) | -12.0 dBm (±3 dB) |
| | 2 • Frequency: 435.000 MHz (432.000 MHz*) • Mode: USB • Transmitting | | | | |
| | 3† • Frequency: 1200.000 MHz • Mode: USB • Transmitting | | | | |
| 3RD TX LO LEVEL | 1 • Frequency: 145.000 MHz • Mode: USB • Transmitting | • Connect a dummy load to [144MHz ANT]. • Connect an RF voltmeter to the J571. | J851 | (Verify) | -8.0 dBm (±3 dB) |
| | 2 • Frequency: 435.000 MHz (432.000 MHz*) • Mode: USB • Transmitting | | | | |
| | 3† • Frequency: 1200.000 MHz • Mode: USB • Transmitting | | | | |
| CODEC CLOCK LEVEL | • Receiving | • Connect an RF voltmeter to the J601. | J601 | (Verify) | -12 dBm (±3 dB) |

*: For [TPE] and [KOR]. **: For only [USA], [CHN] and [EXP]

†: Appears only when the optional UX-9100 is installed.

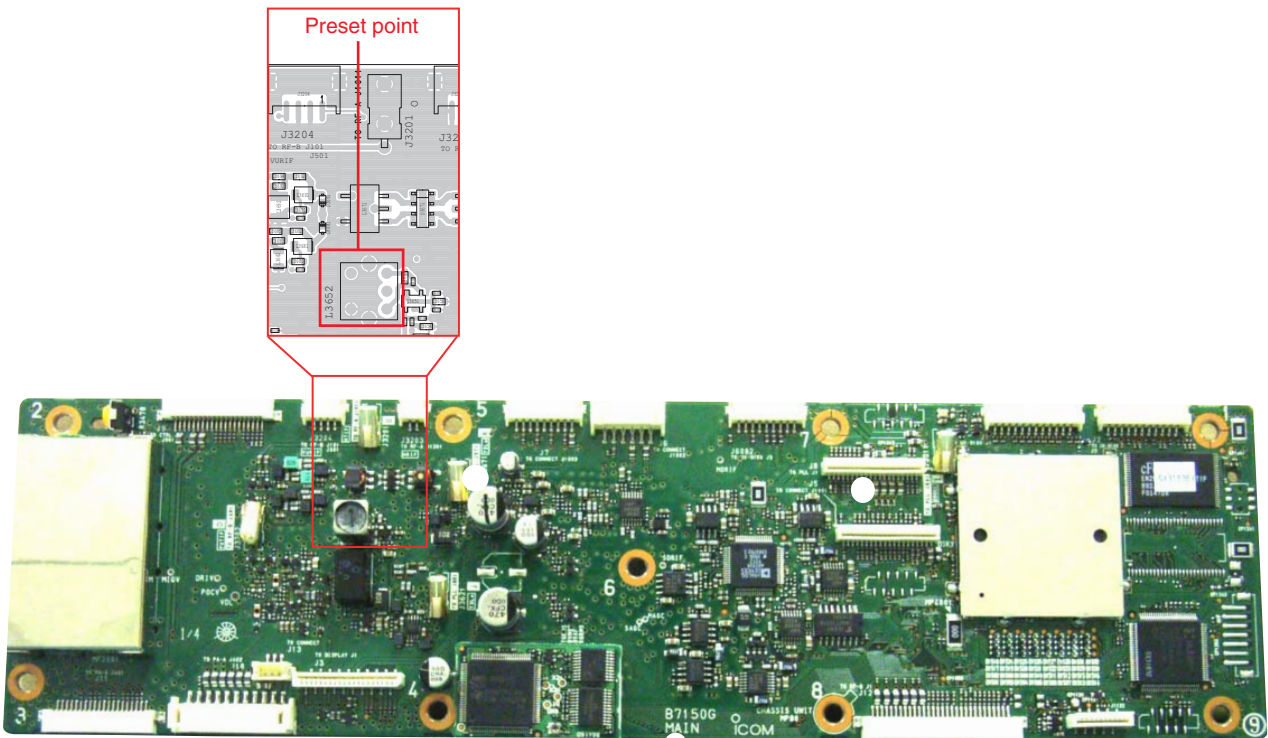
• THE LOCATION OF ADJUST/CHECK POINTS ON THE PLL UNIT



4-3 ADJUSTMENT ON THE MAIN UNIT

| ADJUSTMENT ITEM | TRANSCIVER'S CONDITION | OPERATION | MEASURE POINT | ADJUST POINT | VALUE |
|-----------------|------------------------|-----------|---------------|--------------|---|
| PRESET | • Receiving | — | — | L3652 | Screw the core all the way inside the coil. |

• THE LOCATION OF PRESET POINT ON THE MAIN UNIT

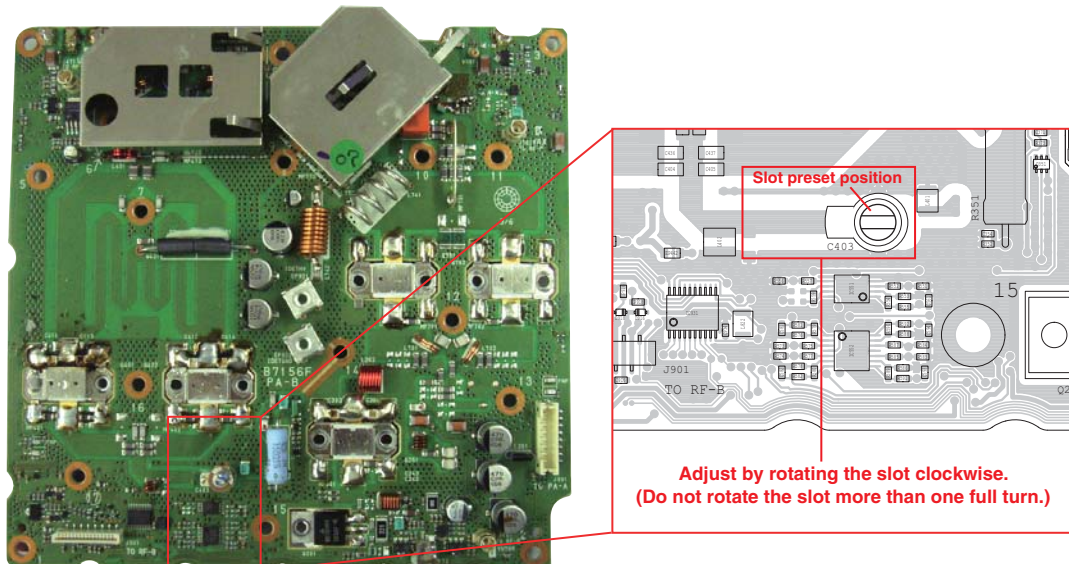


4-4 ADJUSTMENT ON THE PA-B UNIT

| ADJUSTMENT ITEM | TRANSCIVER'S CONDITION | OPERATION | MEASURE POINT | ADJUST POINT | VALUE |
|--------------------------|---|--|---------------|--|------------------------|
| TX ADJUSTMENT (TX power) | 1 • Frequency: 430.000 MHz (MAIN BAND) | • Set the slot of C403 to the preset position as illustrated below. | — | C403 | (as illustrated below) |
| | 2 • Mode: CW • Transmitting NOTE: This adjustment must be performed within a minute. | 1) Connect an SSG to J101, and then set it as Frequency : 440.000 MHz Level† : +112 dBμ (+5.0 dBm) Modulation : None 2) Connect a power meter to [430MHz ANT]. | [430MHz ANT] | C403 (Rotate clockwise less than one full turn.) | More than 90 W |

†; The output level of the standard signal generator (SSG) is indicated as the SSG's terminated circuit.

• THE LOCATION OF ADJUST POINT ON THE PA-B UNIT



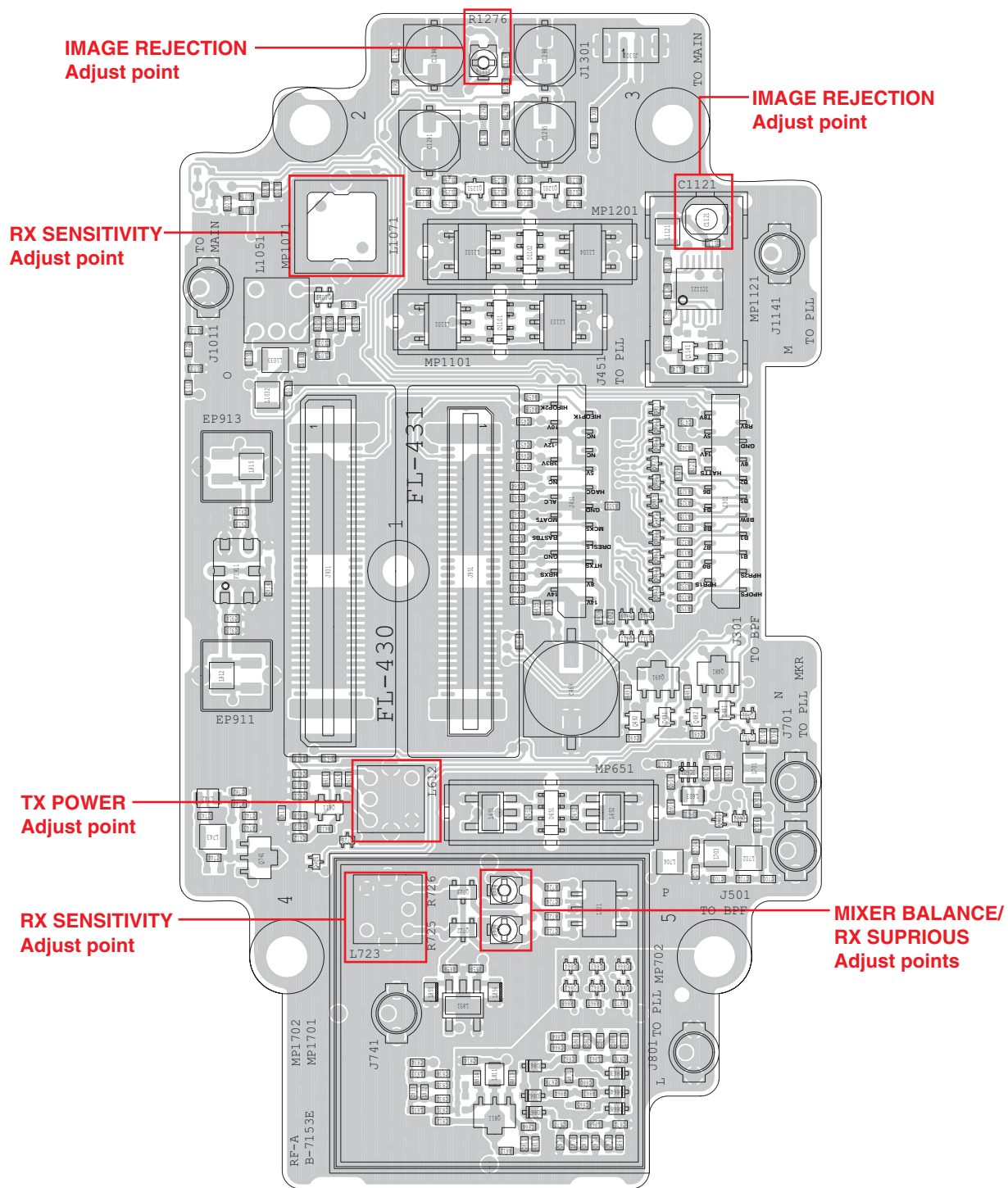
4-5 ADJUSTMENTS ON THE RF-A UNIT

| ADJUSTMENT ITEM | TRANSCIVER'S CONDITION | OPERATION | MEASURE POINT | ADJUST POINT | VALUE |
|--|--|---|---------------|------------------------------|--------------------------------------|
| TX ADJUSTMENT (TX power) | <ul style="list-style-type: none"> • Frequency: 14.100 MHz • Mode: USB • Transmitting | 1) Connect an RF power meter to [ANT1]. 2) Connect an audio generator and millivoltmeter to [MIC], and then set it as; Frequency : 1.5 kHz Level [†] : 1 mV | [ANT1] | L612 | Max. TX power |
| RX ADJUSTMENT (Sensitivity) | <ul style="list-style-type: none"> • Frequency: 14.150 MHz • Mode: USB • Receiving | 1) Connect an SSG to [ANT1], and then set it as; Frequency : 14.1515 MHz Level [†] : -15 dB μ (-122 dBm) Modulation: None 2) Connect a millivoltmeter and a speaker to [EXT-SP]. | [EXT-SP] | L723, L1071 | Max. AF output level |
| MIXER BALANCE | <ul style="list-style-type: none"> • Frequency: 14.150 MHz • Mode: USB • Receiving | 1) Connect a terminator to [ANT1]. 2) Connect a spectrum analyzer to the J741. | J741 | R725, R726 | Min. LO level (Freq.= 78.605 MHz) |
| RX SUPRIIOUS* | <ul style="list-style-type: none"> • Frequency: 3.621565 MHz • Mode: USB • [PREAMP]: OFF • Receiving | <ul style="list-style-type: none"> • Connect a millivoltmeter to [EXT-SP]. | [EXT-SP] | | Min. AF output level |
| IMAGE REJECTION | <ul style="list-style-type: none"> • Frequency: 14.150 MHz • Mode: USB • [PREAMP]: OFF • Receiving | 1) Connect an SSG to [ANT1], and then set it as; Frequency : 14.0765 MHz Level [†] : +50 dB μ (-57 dBm) Modulation: None 2) Connect a millivoltmeter and a speaker to [EXT-SP]. | [EXT-SP] | R1276, C1121 (Repeatedly) | Min. AF output level |

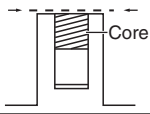
*: For all models except [TPE] and [KOR].

[†]; The output level of the standard signal generator (SSG) is indicated as the SSG's terminated circuit.

• THE LOCATION OF ADJUST/CHECK POINTS ON THE RF-A UNIT



4-6 ADJUSTMENTS ON THE RF-B UNIT

| ADJUSTMENT ITEM | TRANSCIVER'S CONDITION | OPERATION | MEASURE POINT | ADJUST POINT | VALUE | |
|---------------------------------|--|---|--|--|--|---|
| TX ADJUSTMENT (VHF TX power) | 1 | – | • Set the adjustment value in the "ADJUSTMENT ON THE FUNCTION DISPLAY." See the page 4-14 for details. | [Tuned BPF 1-2] in the VHF TX adjustment | [MAIN DIAL] | "8A" |
| | 2 | – | • Set the core of L1522 as illustrated. | – | L1522 | Set the core as below.  |
| | 3 | • Frequency: 144.000 MHz • Mode: USB • Transmitting | 1) Connect an RF power meter to [144MHz ANT]. 2) Connect an audio generator and millivoltmeter to [MIC], and then set it as; Frequency : 1.5 kHz Level : 1 mV | [144MHz ANT] | L332, L333, L1551, L1553 | Max. TX power |
| RESIDUAL AM (AM mode) | • Frequency: 144.000 MHz • Mode: FM • [MIC GAIN]: Center • Transmitting | 1) Connect an RF power meter to [144MHz ANT]. 2) Connect an audio generator and millivoltmeter to [MIC], and then set it as; Frequency : 1.5 kHz Level : 10 mV | [144MHz ANT] | L332, L333 | Max. TX power | |
| TX MIXER BALANCE | • Frequency: 146.000 MHz* 148.000 MHz** • Mode: CW • Key: Up • Receiving | • Connect a spectrum analyzer to the [144MHz ANT]. | [144MHz ANT] | R1554 | Min. LO level (LO freq.= 135.150 MHz* 137.150 MHz**) | |
| TX ADJUSTMENT (UHF TX power) | • Frequency: 435.000 MHz • Mode: USB • Transmitting | 1) Connect an RF power meter to [430MHz ANT]. 2) Connect an audio generator and millivoltmeter to [MIC], and then set it as; Frequency : 1.5 kHz Level : 1 mV | [430MHz ANT] | L2522 | Max. TX power | |
| RX ADJUSTMENT (VHF Sensitivity) | • Frequency: 145.980 MHz • Mode: USB • Receiving | 1) Connect an SSG to [144MHz ANT], and then set it as; Frequency : 145.9815 MHz Level [†] : –10 dBμ (–117 dBm) Modulation: None 2) Connect a millivoltmeter and a speaker to [EXT-SP]. | [EXT-SP] | L302, L1051 | Max. AF output level | |
| IMAGE REJECTION (VHF band) | • Frequency: 145.980 MHz • Mode: USB • Receiving | 1) Connect an SSG to [144MHz ANT], and then set it as; Frequency : 145.9065 MHz Level [†] : +80 dBμ (–27 dBm) Modulation: None 2) Connect a millivoltmeter and a speaker to [EXT-SP]. | [EXT-SP] | R135, C212 (Repeatedly) | Min. AF output level | |
| RX ADJUSTMENT (UHF Sensitivity) | • Frequency: 435.020 MHz • Mode: USB • Receiving | 1) Connect an SSG to [430MHz ANT], and then set it as; Frequency : 435.0215 MHz Level [†] : –15 dBμ (–122 dBm) Modulation: None 2) Connect a millivoltmeter and a speaker to [EXT-SP]. | [EXT-SP] | L702 | Max. AF output level | |
| IMAGE REJECTION (UHF band) | • Frequency: 435.020 MHz • Mode: USB • Receiving | 1) Connect an SSG to [430MHz ANT], and then set it as; Frequency : 434.9465 MHz Level [†] : +80 dBμ (–27 dBm) Modulation: None 2) Connect a millivoltmeter and a speaker to [EXT-SP]. | [EXT-SP] | R535, C612 (Repeatedly) | Min. AF output level | |

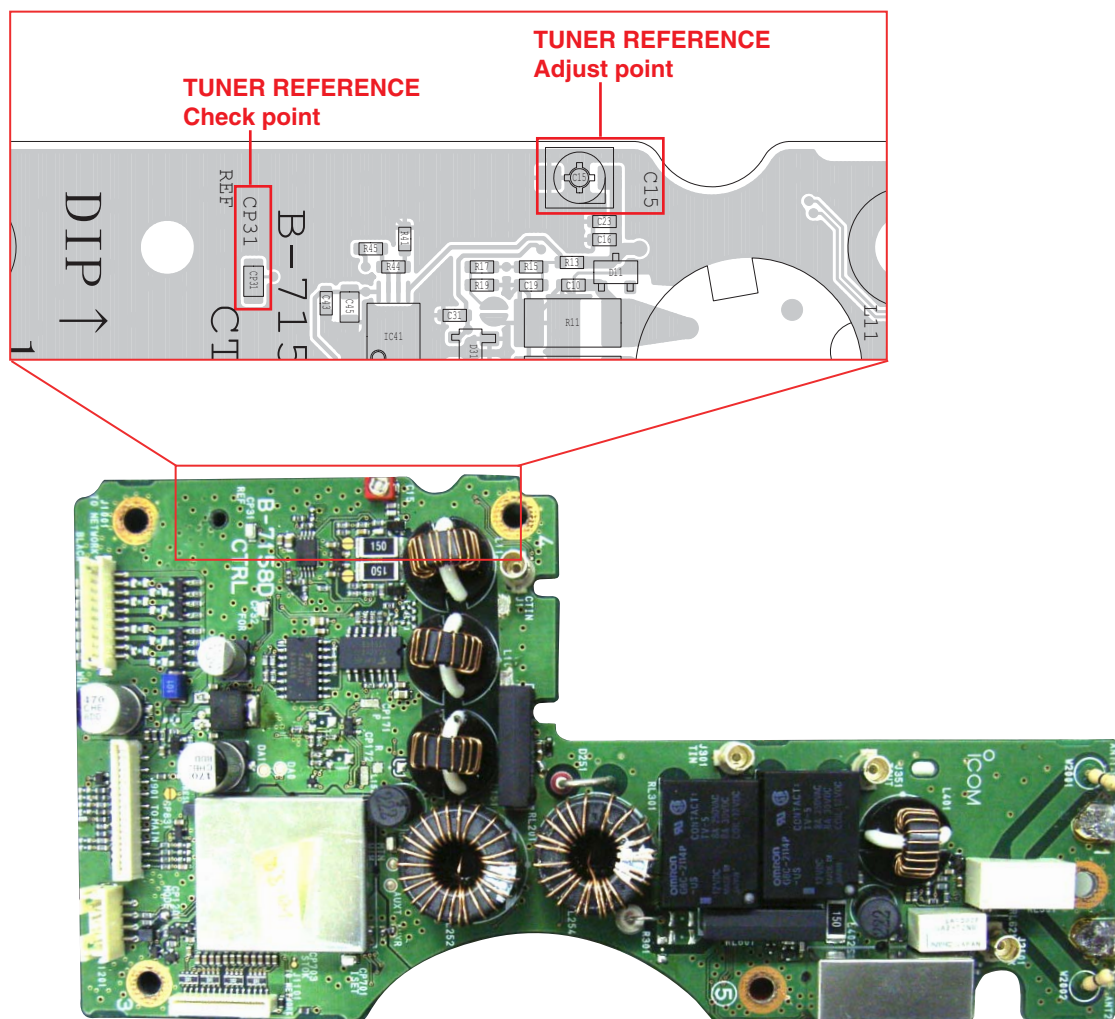
*: For except [USA], [CHN], [EXP]. **: For [USA], [CHN], [EXP].

†: The output level of the standard signal generator (SSG) is indicated as the SSG's terminated circuit.

4-7 ADJUSTMENT ON THE CTRL UNIT

| ADJUSTMENT ITEM | TRANSCIVER'S CONDITION | OPERATION | MEASURE POINT | ADJUST POINT | VALUE | |
|-----------------|------------------------|---|--|--------------|-------|---|
| TUNER REFERENCE | 1 | <ul style="list-style-type: none"> • Frequency: 3.55 MHz • [TUNER]: Through • TX power: Max. | <ol style="list-style-type: none"> 1) Connect a 50 Ω dummy load to [ANT1]. 2) Connect a voltmeter to CP31. | CP31 | C15 | Min. voltage |
| | 2 | <ul style="list-style-type: none"> • Transmitting | <ol style="list-style-type: none"> 1) Turn OFF the power. 2) Connect the short plug (See the page 4-1) to [REMOTE]. 3) Hold down [MENU] and [FILTER], and then turn ON the power. 4) Push [F-5] (STR). | — | — | Verify the message " *** OK *** " is displayed. |
| | 3 | Turn OFF the power. | | | | |

• THE LOCATION OF ADJUST/CHECK POINTS ON THE CTRL UNIT

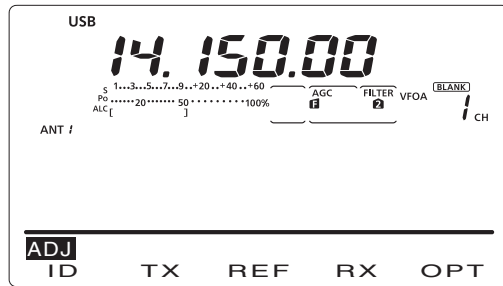


4-8 ADJUSTMENTS ON THE FUNCTION DISPLAY

- 1) Connect the short plug (Page 4-1) to [REMOTE], and while holding down [MENU] and [SSB], turn ON the power.
- 2) The main adjustment menu appears.

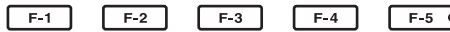
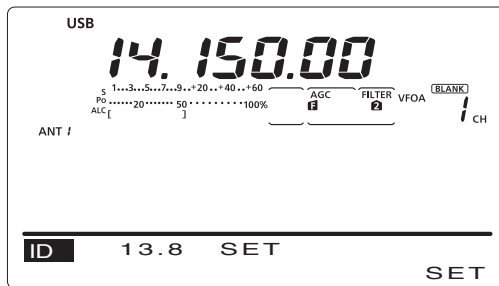
NOTE: If the optional UX-9100 is installed, remove it before the adjustment.

■ MAIN ADJUSTMENT MENU



- Select the ID adjustment (See below) — F-1
- Select the transmit adjustment (Page 4-13) — F-2
- Select the reference frequency/APC reference adjustment (Page 4-17) — F-3
- Select the receive adjustment (Page 4-18) — F-4
- F-5

■ ID ADJUSTMENTS



Returns to the previous screen. — MENU

F-5 — Stores the value and move to the next item.

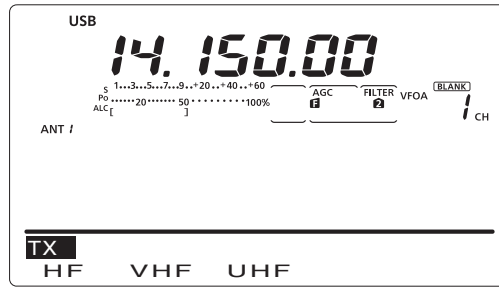
| ADJUSTMENT ITEM | TRANSCIVER'S CONDITION | OPERATION | MEASURE POINT | ADJUST POINT | VALUE |
|----------------------------|---|--|---------------|--------------|---|
| LOADING REFERENCE VOLTAGE | <ul style="list-style-type: none"> • Display: "13.8 SET" • Receiving | <ul style="list-style-type: none"> • Set the power supply voltage to 13.8 V. | — | — | Push [F-5]. (A beep sounds, and then another beeps sound 0.5 sec. later) |
| SETTING ID REFERENCE LEVEL | 1 <ul style="list-style-type: none"> • Display: "ID HF+1.0A" • Transmitting | <ul style="list-style-type: none"> • Connect a 50 Ω dummy loads to [ANT1], [144MHz ANT] and [430MHz ANT]. | — | — | Push [F-5]. |
| | 2 <ul style="list-style-type: none"> • Display: "ID VHF+1.0A" • Transmitting | | | | |
| | 3 <ul style="list-style-type: none"> • Display: "ID UHF+1.0A" • Transmitting | | | | |
| | 4 <ul style="list-style-type: none"> • Display: "IPD HF+1.0A" • Transmitting | | | | |
| | 5 <ul style="list-style-type: none"> • Display: "IPD V/UHF+1.0A" • Transmitting | | | | |

■ ID ADJUSTMENTS (continued)

| ADJUSTMENT ITEM | TRANSCIVER'S CONDITION | OPERATION | MEASURE POINT | ADJUST POINT | VALUE |
|--|--|--|-------------------|--------------|---|
| ID ADJUSTMENT (HF band) | 6 • Display: "ID SET HF" • Transmitting | 1) Connect a 50 Ω dummy load to [ANT1]. 2) Connect an ammeter to the power supply line. | Power supply line | – | Push [F-5]. (Measure the current and note it as the reference.) |
| | 7 • Display: "HFID1V" • Transmitting | | | [MAIN DIAL] | 1.0 A more than the reference. Push [F-5]. |
| | 8 • Display: "HFID2V" • Transmitting | | | – | Push [F-5]. (A beep sounds, and then another beeps sound 3 sec. later) |
| | 9 • Display: "HDID1V" • Transmitting | | | [MAIN DIAL] | 1.0 A more than "Step3." Push [F-5]. |
| | 10 • Display: "HDID2V" • Transmitting | | | – | Push [F-5]. (A beep sounds, and then another beeps sound 3 sec. later) |
| | 11 • Display: "HPID1V" • Transmitting | | | | |
| ID ADJUSTMENT (VHF/UHF band) | 12 • Display: "ID SET VHF" • Transmitting | • Connect a 50 Ω dummy loads to [ANT1], [144MHz ANT] and [430MHz ANT]. | – | – | Push [F-5]. |
| | 13 • Display: "VID1V" • Transmitting | | | | Push [F-5]. (A beep sounds, and then another beeps sound 3 sec. later) |
| | 14 • Display: "VID2V" • Transmitting | | | | Push [F-5]. |
| | 15 • Display: "ID SET UHF" • Transmitting | | | | |
| | 16 • Display: "UID1V" • Transmitting | | | | |
| | 17 • Display: "UID2V" • Transmitting | | | | |
| | 18 • Display: "VUID1V" • Transmitting | | | | Push [F-5]. (A beep sounds, and then another beeps sound 3 sec. later) |
| | 19 • Display: "VUPD1V" • Transmitting | | | | |
| Automatically returns to the main adjustment menu. | | | | | |

■ TRANSMIT ADJUSTMENTS

• Transmit adjustment menu.



- Returns to the previous screen.
- Starts the transmit adjustments (HF band). (See below)
- Starts the transmit adjustments (VHF). (Page 4-14)
- Starts the transmit adjustments (UHF). (Page 4-16)
- Stores the value and move to the next item.

• TRANSMIT ADJUSTMENTS (HF band)

| ADJUSTMENT ITEM | TRANSCIVER'S CONDITION | OPERATION | MEASURE POINT | ADJUST POINT | VALUE |
|--|---|---|---|--------------|--|
| PREPARATION | - | <ul style="list-style-type: none"> • Connect an AG and millivoltmeter to [MIC], and then set it as; Frequency : 1.5 kHz Level : 1 mV • Connect a power meter to [ANT1]. • Connect a 25 Ω dummy load to [ANT2]. | - | - | - |
| TX TOTAL GAIN | 1 • Display: "Total Gain HF" • Receiving | • Push [F-5]. (Automatically starts to transmit.) | - | [MAIN DIAL] | 50 W Push [F-5]. |
| TX POWER & POWER METER SETTING | 2 • Display: "POWER HF" • Receiving | • Push [F-5]. (Automatically starts to transmit.) | - | - | Push [F-5]. |
| | 3 • Display: "POWER HF Min" • Transmitting | - | [ANT1] | [MAIN DIAL] | 1.5 W Push [F-5]. |
| | 4 • Display: "POWER HF 10%" • Transmitting | - | - | - | 10 W Push [F-5]. |
| | 5 • Display: "POWER HF Tuner" • Transmitting | - | - | - | 10 W Push [F-5]. |
| | 6 • Display: "POWER HF 50%" • Transmitting | - | - | - | 50 W Push [F-5]. |
| | 7 • Display: "POWER HF 75%" • Transmitting | - | - | - | 80 W Push [F-5]. |
| | 8 • Display: "POWER HF 100%" • Transmitting | - | - | - | 105 W Push [F-5]. |
| | 9 • Display: "POWER 50M" • Receiving | • Push [F-5]. (Automatically starts to transmit.) | - | - | Push [F-5]. |
| | 10 • Display: "POWER 50M Min" • Transmitting | - | [ANT1] | [MAIN DIAL] | 1.5 W Push [F-5]. |
| | 11 • Display: "POWER 50M 10%" • Transmitting | - | - | - | 10 W Push [F-5]. |
| | 12 • Display: "POWER 50M Tuner" • Transmitting | - | - | - | 10 W Push [F-5]. |
| | 13 • Display: "POWER 50M 50%" • Transmitting | - | - | - | 50 W Push [F-5]. |
| | 14 • Display: "POWER 50M 75%" • Transmitting | - | - | - | 80 W Push [F-5]. |
| | 15 • Display: "POWER 50M 100%" • Transmitting | - | - | - | 100 W Push [F-5]. |
| | POWER DOWN SETTING | 16 • Display: "POWER Down HF/50M" • Transmitting | • Push [F-5]. (Automatically starts to transmit.) | - | [MAIN DIAL] |
| AM CARRIER POWER RATIO | 17 • Display: "POWER AM Ratio HF" • Transmitting | • Push [F-5]. (Automatically starts to transmit.) | - | [MAIN DIAL] | 27 W Push [F-5]. |
| ID APC | 18 • Display: "ID-APC" • Receiving | 1) Connect an ammeter to the power supply line. 2) Push [F-5]. (Automatically starts to transmit.) | Power supply line | [MAIN DIAL] | 24-24.3 A Push [F-5]. |
| ALC METER | 19 • Display: "ALC HF/50M" • Transmitting | • Set the AG as; Frequency : 1.5 kHz Level : 10 mV | - | - | Push [F-5] (A beep sounds, and then another beeps sound 3 sec. later) |
| DRIVE GAIN | 20 • Display: "DRIVE HF/50M" • Transmitting | - | - | - | Push [F-5]. |
| SWR METER | 21 • Display: "SWR HF/50M" • Transmitting | - | - | - | Push [F-5]. |
| Automatically returns to the transmit adjustment menu. | | | | | |

• TRANSMIT ADJUSTMENTS (VHF band)

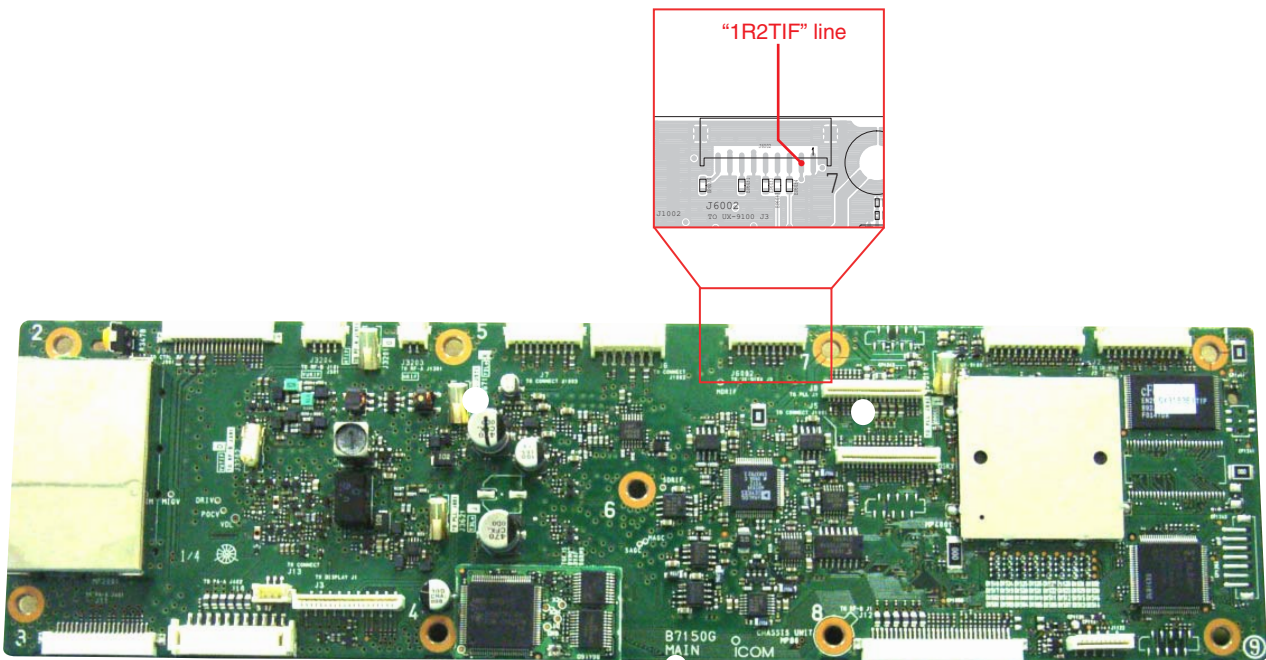
| ADJUSTMENT ITEM | TRANSCIVER'S CONDITION | OPERATION | MEASURE POINT | ADJUST POINT | VALUE | |
|---|------------------------|---|---|--------------|---|----------------------|
| PREPARATION | – | <ul style="list-style-type: none"> Connect an AG and millivoltmeter to [MIC], and then set it as; Frequency : 1.5 kHz Level : 1 mV Connect a power meter to [144MHz ANT]. | – | – | – | |
| TUNED BPF | 1 | <ul style="list-style-type: none"> Display: "Tuned BPF" Receiving | – | – | Push [F-5]. | |
| | 2 | <ul style="list-style-type: none"> Display: "Tuned BPF 1-1" Transmitting | – | – | Push [F-5]. (A beep sounds, and then another beeps sound 3 sec. later) | |
| | 3* | <ul style="list-style-type: none"> Display: "Tuned BPF 1-2" Transmitting | | | | |
| | 4 | <ul style="list-style-type: none"> Display: "Tuned BPF 2-1" Transmitting | | | | |
| | 5 | <ul style="list-style-type: none"> Display: "Tuned BPF 2-2" Transmitting | | | | |
| | 6 | <ul style="list-style-type: none"> Display: "Tuned BPF 3-1" Transmitting | | | | |
| | 7 | <ul style="list-style-type: none"> Display: "Tuned BPF 3-2" Transmitting | | | | |
| | 8 | <ul style="list-style-type: none"> Display: "Tuned BPF 4-1" Transmitting | | | | |
| | 9 | <ul style="list-style-type: none"> Display: "Tuned BPF 4-2" Transmitting | | | | |
| | 10 | <ul style="list-style-type: none"> Display: "Tuned BPF 5-1" Transmitting | | | | |
| | 11 | <ul style="list-style-type: none"> Display: "Tuned BPF 5-2" Transmitting | | | | |
| TX TOTAL GAIN | 12 | <ul style="list-style-type: none"> Display: "Total Gain VHF" Receiving | Push [F-5]. (Automatically starts to transmit.) | [144MHz ANT] | [MAIN DIAL] | 50 W Push [F-5]. |
| TX POWER & POWER METER SETTING | 13 | <ul style="list-style-type: none"> Display: "POWER VHF" Receiving | Push [F-5]. (Automatically starts to transmit.) | – | – | Push [F-5]. |
| | 14 | <ul style="list-style-type: none"> Display: "POWER VHF Min" Transmitting | – | [144MHz ANT] | [MAIN DIAL] | 1.5 W Push [F-5]. |
| | 15 | <ul style="list-style-type: none"> Display: "POWER VHF 10%" Transmitting | | | | 10 W Push [F-5]. |
| | 16 | <ul style="list-style-type: none"> Display: "POWER VHF 50%" Transmitting | | | | 50 W Push [F-5]. |
| | 17 | <ul style="list-style-type: none"> Display: "POWER VHF 75%" Transmitting | | | | 75 W Push [F-5]. |
| | 18 | <ul style="list-style-type: none"> Display: "POWER VHF 100%" Transmitting | | | | 100 W Push [F-5]. |
| POWER DOWN SETTING | 19 | <ul style="list-style-type: none"> Display: "POWER Down VHF" Transmitting | Push [F-5]. (Automatically starts to transmit.) | [144MHz ANT] | [MAIN DIAL] | 50 W Push [F-5]. |

*: For RF-B UNIT adjustment (Page 4-8), set the value to "8A," using [MAIN DIAL].

• TRANSMIT ADJUSTMENTS (VHF band) (continued)

| ADJUSTMENT ITEM | TRANSCIVER'S CONDITION | OPERATION | MEASURE POINT | ADJUST POINT | VALUE |
|--|--|---|----------------------------|--------------|---|
| TX POWER (1.2 GHz BAND) | 20 • Display: "POWER 1.2G" • Receiving | • Push [F-5]. (Automatically starts to transmit.) | "FORV" on the display. | [MAIN DIAL] | 2.600 V Push [F-5]. |
| | 21 • Display: "TX Total Gain 1.2G" • Transmitting | 1) Connect a spectrum analyzer to the pin 2 of J6002, and then set it as; Center : 10.95 MHz Span : 100 kHz RBW : 3 kHz VBW : 100 Hz 2) Set the AG and millivoltmeter as; Frequency : 1.5 kHz Level : 1 mV | Pin 2 of J6002 (MAIN UNIT) | [MAIN DIAL] | -32.0 dBm (±0.1 dB) Push [F-5]. |
| ALC METER | 22 • Display: "ALC VHF" • Transmitting | • Set the AG as; Frequency : 1.5 kHz Level : 10 mV | - | - | Push [F-5]. (A beep sounds, and then another beeps sound 3 sec. later) |
| DRIVE GAIN | 23 • Display: "DRIVE VHF" • Transmitting | | - | - | Push [F-5]. |
| SWR METER | 24 • Display: "SWR VHF-1" • Transmitting | | - | - | Push [F-5]. |
| | 25 • Display: "SWR VHF-2" • Transmitting | • Connect a 25 Ω dummy load to [144MHz ANT]. | - | - | Push [F-5]. |
| Automatically returns to the transmit adjustment menu. | | | | | |

• THE LOCATION OF CHECK POINT ON THE MAIN UNIT

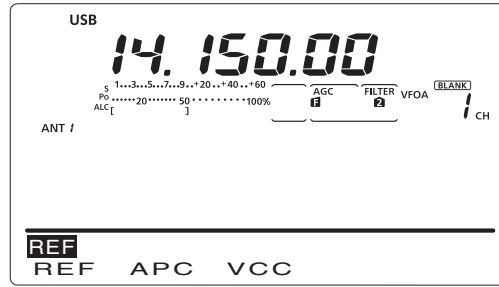


• TRANSMIT ADJUSTMENTS (UHF band)

| ADJUSTMENT ITEM | TRANSCEIVER'S CONDITION | OPERATION | MEASURE POINT | ADJUST POINT | VALUE | | |
|--|-------------------------|---|---------------|--------------|---|-------------|-----------------------|
| PREPARATION | – | <ul style="list-style-type: none"> Connect an AG and millivoltmeter to [MIC], and then set it as; Frequency : 1.5 kHz Level : 1 mV Connect a power meter to [430MHz ANT]. | – | – | – | | |
| TX TOTAL GAIN | 1 | <ul style="list-style-type: none"> Display: "Total Gain UHF" Receiving | [430MHz ANT] | [MAIN DIAL] | 37.5 W Push [F-5]. | | |
| TX POWER & POWER METER SETTING | 2 | <ul style="list-style-type: none"> Display: "POWER UHF" Receiving | – | – | Push [F-5]. | | |
| | 3 | <ul style="list-style-type: none"> Display: "POWER UHF Min" Transmitting | [144MHz ANT] | [MAIN DIAL] | 1.5 W Push [F-5]. | | |
| | 4 | <ul style="list-style-type: none"> Display: "POWER UHF 10%" Transmitting | | | 7.5 W Push [F-5]. | | |
| | 5 | <ul style="list-style-type: none"> Display: "POWER UHF 50%" Transmitting | | | 37.5 W Push [F-5]. | | |
| | 6 | <ul style="list-style-type: none"> Display: "POWER UHF 75%" Transmitting | | | 60 W Push [F-5]. | | |
| | 7 | <ul style="list-style-type: none"> Display: "POWER UHF 100%" Transmitting | | | 75 W Push [F-5]. | | |
| POWER DOWN SETTING | 8 | <ul style="list-style-type: none"> Display: "POWER Down UHF" Transmitting | | | [430MHz ANT] | [MAIN DIAL] | 37.5 W Push [F-5]. |
| ALC METER | 9 | <ul style="list-style-type: none"> Display: "ALC UHF" Transmitting | – | – | Push [F-5]. (A beep sounds, and then another beeps sound 3 sec. later) | | |
| DRIVE GAIN | 10 | <ul style="list-style-type: none"> Display: "DRIVE UHF" Transmitting | | | – | – | Push [F-5]. |
| SWR METER | 11 | <ul style="list-style-type: none"> Display: "SWR UHF-1" Transmitting | | | – | – | Push [F-5]. |
| | 12 | <ul style="list-style-type: none"> Display: "SWR UHF-2" Transmitting | – | – | Push [F-5]. | | |
| Automatically returns to the transmit adjustment menu. | | | | | | | |

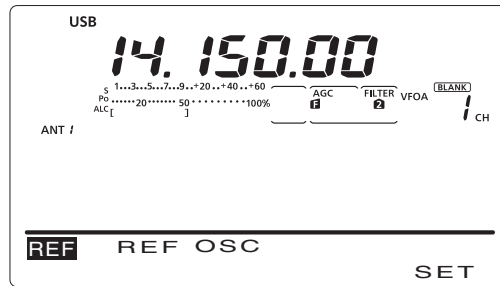
■ REFERENCE ADJUSTMENTS

• Reference adjustment menu.



- F-1 Returns to the previous screen. — **MENU**
- F-2 Select the reference frequency adjustment.
- F-3
- F-4
- F-5 Stores the value and move to the next item.

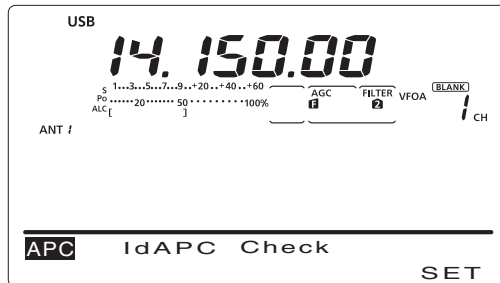
• REFERENCE FREQUENCY ADJUSTMENT



- F-1 Returns to the previous screen. — **MENU**
- F-2
- F-3
- F-4
- F-5 Stores the value and move to the next item.

| ADJUSTMENT ITEM | TRANSCEIVER'S CONDITION | OPERATION | MEASURE POINT | ADJUST POINT | VALUE |
|--|-------------------------|--|---|--------------|---|
| REFERENCE FREQUENCY | 1 | — | — | — | — |
| | 2 | <ul style="list-style-type: none"> • Display: "REF OSC" • Transmitting | <ul style="list-style-type: none"> • Push [F-5]. (Automatically starts to transmit.) | [430MHz ANT] | [MAIN DIAL] 440.000000 MHz (±30 Hz) Push [F-5]. |
| Automatically returns to the reference adjustment menu. Push [MENU] to return to the main adjustment menu (Page 4-6). | | | | | |

• APC REFERENCE ADJUSTMENT

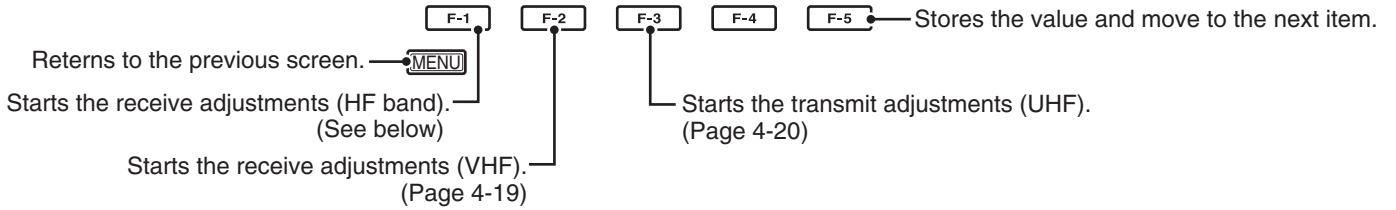
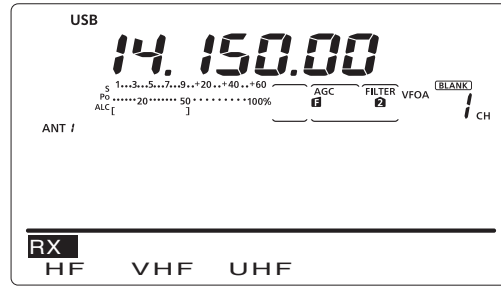


- F-1 Returns to the previous screen. — **MENU**
- F-2
- F-3
- F-4
- F-5 Stores the value and move to the next item.

| ADJUSTMENT ITEM | TRANSCEIVER'S CONDITION | OPERATION | MEASURE POINT | ADJUST POINT | VALUE |
|--|--|---|---------------|--------------|---|
| ID APC VERIFICATION | <ul style="list-style-type: none"> • Display: "IdAPC Check" • Transmitting | <ul style="list-style-type: none"> • Push [F-5]. (Automatically starts to transmit.) | — | — | Push [F-5]. (Beeps sound 1 sec. later) |
| Automatically returns to the reference adjustment menu. Push [MENU] to return to the main adjustment menu (Page 4-6). | | | | | |

RECEIVE ADJUSTMENTS

Receive adjustment menu.



RECEIVE ADJUSTMENTS (HF band)

| ADJUSTMENT ITEM | TRANSCEIVER'S CONDITION | OPERATION | MEASURE POINT | ADJUST POINT | VALUE | |
|---|---|--|--|--------------|---|---|
| PREPARATION | — | <ul style="list-style-type: none"> Connect an SSG to [ANT1], and then set it as; Frequency : 14.1515 MHz Modulation : None Level† : +20 dBu (−87 dBm) | — | — | — | |
| TOTAL GAIN | 1 | <ul style="list-style-type: none"> Display: "Total Gain HF POFF" Receiving | — | — | Push [F-5]. (Beeps sound 20–30 sec. later) | |
| | 2 | <ul style="list-style-type: none"> Display: "Total Gain HF PON" Receiving | — | — | | |
| EXTERNAL AGC | 3 | <ul style="list-style-type: none"> Display: "AGC (HF)" Receiving | — | — | Push [F-5]. (Beeps sound 40 sec. later) | |
| S-METER | NOTE: DO NOT change the output level of the SSG until the beeps sound. | | | | | |
| | 4 | <ul style="list-style-type: none"> Display: "S0 Level HF" Receiving | <ul style="list-style-type: none"> Set the SSG as; Level : OFF | — | — | Push [F-5]. (Beep sounds, and then another beeps sound 0.5 sec. later) |
| | 5 | <ul style="list-style-type: none"> Display: "S9 Level HF" Receiving | <ul style="list-style-type: none"> Set the SSG as; Level† : +34 dBu (−73 dBm) | — | — | Push [F-5]. (Beep sounds, and then another beeps sound 1 sec. later) |
| | 6 | <ul style="list-style-type: none"> Display: "S9+60 Level HF" Receiving | <ul style="list-style-type: none"> Set the SSG as; Level† : +90 dBu (−17 dBm) | — | — | |
| Automatically returns to the receive adjustment menu. | | | | | | |

†; The output level of the standard signal generator (SSG) is indicated as the SSG's terminated circuit.

• RECEIVE ADJUSTMENTS (VHF band)

| ADJUSTMENT ITEM | TRANSCIVER'S CONDITION | OPERATION | MEASURE POINT | ADJUST POINT | VALUE | | |
|---|---|--|--|--------------|-------|---|---|
| TUNED BPF | NOTE: DO NOT change the output level of the SSG until the beeps sound. | | | | | | |
| | 1 | • Display: "Tuned BPF 1-1 VHF" • Transmitting | • Connect an SSG to [144MHz ANT], and then set it as; Frequency : 108.1015 MHz Modulation : None Level† : +20 dBu (−87 dBm) | – | – | Push [F-5]. (A beep sounds, and then another beeps sound 2.5 sec. later) | |
| | 2 | • Display: "Tuned BPF 1-2 VHF" • Transmitting | | | | | |
| | 3 | • Display: "Tuned BPF 2-1 VHF" • Transmitting | | | | | • Set the SSG as; Frequency : 135.8015 MHz |
| | 4 | • Display: "Tuned BPF 2-2 VHF" • Transmitting | | | | | |
| | 5 | • Display: "Tuned BPF 3-1 VHF" • Transmitting | | | | | • Set the SSG as; Frequency : 136.2015 MHz |
| | 6 | • Display: "Tuned BPF 3-2 VHF" • Transmitting | | | | | |
| | 7 | • Display: "Tuned BPF 4-1 VHF" • Transmitting | | | | | • Set the SSG as; Frequency : 146.2015 MHz |
| | 8 | • Display: "Tuned BPF 4-2 VHF" • Transmitting | | | | | |
| | 9 | • Display: "Tuned BPF 5-1 VHF" • Transmitting | | | | | • Set the SSG as; Frequency : 173.8015 MHz |
| 10 | • Display: "Tuned BPF 5-2 VHF" • Transmitting | | | | | | |
| TOTAL GAIN | 11 | • Display: "Total Gain VHF" • Receiving | • Set the SSG as; Frequency : 145.8015 MHz Modulation : None Level† : 0 dBu (−107 dBm) | – | – | Push [F-5]. (Beeps sound 20–30 sec. later) | |
| EXTERNAL AGC | 12 | • Display: "AGC (VHF)" • Receiving | • Set the SSG as; Level† : +60 dBu (−47 dBm) | – | – | Push [F-5]. (Beeps sound 40 sec. later) | |
| S-METER | NOTE: DO NOT change the output level of the SSG until the beeps sound. | | | | | | |
| | 13 | • Display: "S0 Level VHF" • Receiving | • Set the SSG as; Frequency : 146.2015 MHz Level : OFF | – | – | Push [F-5]. (Beep sounds, and then another beeps sound 0.5 sec. later) | |
| | 14 | • Display: "S9 Level VHF" • Receiving | • Set the SSG as; Level† : +10 dBu (−97 dBm) | – | – | Push [F-5]. (Beep sounds, and then another beeps sound 1 sec. later) | |
| 15 | • Display: "S9+60 Level VHF" • Receiving | • Set the SSG as; Level† : +70 dBu (−37 dBm) | | | | | |
| Automatically returns to the receive adjustment menu. | | | | | | | |

†; The output level of the standard signal generator (SSG) is indicated as the SSG's terminated circuit.

• RECEIVE ADJUSTMENTS (UHF band)

| ADJUSTMENT ITEM | TRANSCIVER'S CONDITION | OPERATION | MEASURE POINT | ADJUST POINT | VALUE | |
|---|---|--|--|--------------|-------|---|
| TUNED BPF | NOTE: DO NOT change the output level of the SSG until the beeps sound. | | | | | |
| | 1 | • Display: "Tuned BPF 1-1 UHF" • Transmitting | • Connect an SSG to [430MHz ANT], and then set it as; Frequency : 420.2015 MHz Modulation : None Level [†] : +20 dBu (−87 dBm) | – | – | Push [F-5]. (A beep sounds, and then another beeps sound 2.5 sec. later) |
| | 2 | • Display: "Tuned BPF 1-2 UHF" • Transmitting | | | | |
| | 3 | • Display: "Tuned BPF 2-1 UHF" • Transmitting | • Set the SSG as; Frequency : 440.2015 MHz | | | |
| | 4 | • Display: "Tuned BPF 2-2 UHF" • Transmitting | | | | |
| | 5 | • Display: "Tuned BPF 3-1 UHF" • Transmitting | • Set the SSG as; Frequency : 479.8015 MHz | | | |
| 6 | • Display: "Tuned BPF 3-2 UHF" • Transmitting | | | | | |
| TOTAL GAIN | 7 | • Display: "Total Gain UHF" • Receiving | • Set the SSG as; Frequency : 435.2015 MHz Modulation : None Level [†] : 0 dBu (−107 dBm) | – | – | Push [F-5]. (Beeps sound 20–30 sec. later) |
| EXTERNAL AGC | 8 | • Display: "AGC (UHF)" • Receiving | • Set the SSG as; Level [†] : +60 dBu (−47 dBm) | – | – | Push [F-5]. (Beeps sound 40 sec. later) |
| S-METER | NOTE: DO NOT change the output level of the SSG until the beeps sound. | | | | | |
| | 9 | • Display: "S0 Level UHF" • Receiving | • Set the SSG as; Level : OFF | – | – | Push [F-5]. (Beep sounds, and then another beeps sound 0.5 sec. later) |
| | 10 | • Display: "S9 Level UHF" • Receiving | • Set the SSG as; Level [†] : +10 dBu (−97 dBm) | | | |
| | 11 | • Display: "S9+60 Level UHF" • Receiving | • Set the SSG as; Level [†] : +70 dBu (−37 dBm) | | | |
| Automatically returns to the receive adjustment menu. | | | | | | Push [F-5]. (Beep sounds, and then another beeps sound 1 sec. later) |

[†]; The output level of the standard signal generator (SSG) is indicated as the SSG's terminated circuit.

SECTION 5

PARTS LIST

[MAIN UNIT]

| REF NO. | PARTS NO. | DESCRIPTION | M. | H/V LOCATION |
|---------|------------|--|----|--------------|
| IC1001 | 1130010111 | S.IC TC7WH04FU(TE12LF) | B | 195.6/32.9 |
| IC1041 | 1130012600 | S.IC SN74AHC1G04DCKR | B | 186.8/33.0 |
| IC1081 | 1130015080 | S.IC R1EX24512ASAS0A | B | 234.1/5.7 |
| IC1101 | 1110005731 | S.IC S-80928CNMC-G8Y-G | T | 224.8/5.4 |
| IC1141 | 1130013010 | S.IC SN74AHC1G08DCK3 | T | 226.0/9.4 |
| IC1161 | 1130010160 | S.IC TC74HC4052AF(ELF) | B | 215.4/27.8 |
| IC1162 | 1130010160 | S.IC TC74HC4052AF(ELF) | B | 216.2/16.3 |
| IC1163 | 1110000960 | S.IC NJM4558M-TE1-#FMZB | B | 202.1/24.9 |
| IC1201 | 1140015724 | S.IC HD64F2378BVFQ35V (SX-3183A-5) | B | 247.0/23.3 |
| IC1261 | 1140015700 | S.IC XC9572XL-10TQG100C (SX-3183D) | T | 250.0/20.8 |
| IC2001 | 1180003100 | S.REG BD9302FP-E2 | T | 21.5/44.3 |
| IC2101 | 1180003560 | S.REG BA33BC0FP-E2 | B | 103.3/9.3 |
| IC3201 | 1130012720 | S.IC CD74HC4094PWR | B | 40.5/41.2 |
| IC3202 | 1130012720 | S.IC CD74HC4094PWR | B | 40.5/48.1 |
| IC3203 | 1130012720 | S.IC CD74HC4094PWR | B | 40.5/55.0 |
| IC3204 | 1130012000 | S.IC M62352AGP C60Q | B | 40.5/33.6 |
| IC3251 | 1110004050 | S.IC NJM3404AV-TE1-#FMZB | B | 52.6/33.6 |
| IC3271 | 1110005140 | S.IC NJM3403AV-TE1-#ZZZB | B | 62.4/30.5 |
| IC3401 | 1110006300 | S.IC NJM2172V-TE1-#ZZZB | B | 108.5/53.4 |
| IC3421 | 1140013200 | S.IC CD4053BPWR | B | 115.2/53.4 |
| IC3422 | 1140013200 | S.IC CD4053BPWR | B | 131.5/51.3 |
| IC3451 | 1130013110 | S.IC KIC7W53FK-RTK/P | T | 140.3/48.0 |
| IC3452 | 1110005610 | S.IC NJM2058V-TE1-#ZZZB | B | 122.5/48.7 |
| IC3453 | 1110005610 | S.IC NJM2058V-TE1-#ZZZB | T | 134.4/51.3 |
| IC3501 | 1130013110 | S.IC KIC7W53FK-RTK/P | B | 87.7/67.4 |
| IC3502 | 1130013110 | S.IC KIC7W53FK-RTK/P | B | 72.5/68.0 |
| IC3503 | 1130013110 | S.IC KIC7W53FK-RTK/P | B | 61.4/68.3 |
| IC3504 | 1130013110 | S.IC KIC7W53FK-RTK/P | B | 113.5/19.9 |
| IC3505 | 1130013110 | S.IC KIC7W53FK-RTK/P | B | 107.6/19.9 |
| IC3506 | 1130013110 | S.IC KIC7W53FK-RTK/P | B | 101.7/19.9 |
| IC3507 | 1130012260 | S.IC SN74AHC1G32DCKR | B | 82.3/70.8 |
| IC3508 | 1140013770 | S.IC TC7SET125FU(TE85LF) | B | 86.6/63.9 |
| IC3509 | 1130013110 | S.IC KIC7W53FK-RTK/P | B | 84.9/70.6 |
| IC3510 | 1130013110 | S.IC KIC7W53FK-RTK/P | B | 83.8/64.1 |
| IC3511 | 1130012260 | S.IC SN74AHC1G32DCKR | B | 66.5/71.7 |
| IC3512 | 1140013770 | S.IC TC7SET125FU(TE85LF) | B | 72.9/65.0 |
| IC3513 | 1130013110 | S.IC KIC7W53FK-RTK/P | B | 69.3/71.5 |
| IC3514 | 1130013110 | S.IC KIC7W53FK-RTK/P | B | 69.3/65.0 |
| IC3515 | 1130012260 | S.IC SN74AHC1G32DCKR | B | 55.3/71.7 |
| IC3516 | 1140013770 | S.IC TC7SET125FU(TE85LF) | B | 60.9/64.8 |
| IC3517 | 1130013110 | S.IC KIC7W53FK-RTK/P | B | 58.1/71.5 |
| IC3518 | 1130013110 | S.IC KIC7W53FK-RTK/P | B | 58.1/65.0 |
| IC3522 | 1110005450 | S.IC TS522IDT | B | 118.5/39.7 |
| IC3523 | 1110005100 | S.IC NJM072BM-TE1-#ZZZB | B | 126.8/32.5 |
| IC3532 | 1110005450 | S.IC TS522IDT | B | 118.5/29.6 |
| IC3601 | 1110005450 | S.IC TS522IDT | B | 83.8/34.7 |
| IC3621 | 1110005461 | S.IC TA4107F(TE12LF) | T | 87.8/25.3 |
| IC3675 | 1110006870 | S.IC UPC2709TB-E3 | T | 94.7/49.0 |
| IC3901 | 1130012610 | S.IC SN74AHC1GU04DCKR | T | 206.1/69.4 |
| IC3902 | 1130012600 | S.IC SN74AHC1G04DCKR | T | 209.4/69.4 |
| IC3913 | 1130014260 | S.IC SN74LVC2GU04DCKR | B | 201.0/54.5 |
| IC3951 | 1130013010 | S.IC SN74AHC1G08DCK3 | B | 246.5/45.5 |
| IC3952 | 1110007480 | S.IC S-80811CNBN-B9PT2G | B | 246.6/42.8 |
| IC4001 | 1140015160 | S.IC ADSP-21369KSWZ-2A <FE> | T | 222.2/45.7 |
| IC4202 | 1130015672 | S.IC EN29LV800CB-70TIP (SX-3183E-2) | T | 252.1/58.5 |
| IC4401 | 1110005450 | S.IC TS522IDT | T | 147.9/16.1 |
| IC4402 | 1110005450 | S.IC TS522IDT | T | 148.9/24.6 |
| IC4403 | 1110005610 | S.IC NJM2058V-TE1-#ZZZB | T | 161.2/13.9 |
| IC4404 | 1110005610 | S.IC NJM2058V-TE1-#ZZZB | T | 168.6/56.8 |
| IC4405 | 1110005610 | S.IC NJM2058V-TE1-#ZZZB | T | 177.7/36.1 |
| IC4461 | 1130015070 | S.IC AD1939YSTZ <FE> | T | 160.6/39.1 |
| IC4481 | 1110005450 | S.IC TS522IDT | T | 172.9/49.0 |
| IC4482 | 1110000960 | S.IC NJM4558M-TE1-#FMZB | T | 143.5/34.9 |
| IC4483 | 1110005450 | S.IC TS522IDT | T | 150.4/48.6 |
| IC4601 | 1110000960 | S.IC NJM4558M-TE1-#FMZB | B | 159.7/69.1 |
| IC4602 | 1110005450 | S.IC TS522IDT | B | 159.2/57.2 |
| IC4603 | 1110005450 | S.IC TS522IDT | B | 169.9/62.7 |
| IC4604 | 1130013110 | S.IC KIC7W53FK-RTK/P | B | 154.2/59.6 |
| IC4605 | 1130012600 | S.IC SN74AHC1G04DCKR | B | 195.6/70.8 |
| IC4651 | 1190002650 | S.IC AK4620BVP-E2/P | B | 189.1/65.8 |
| IC4661 | 1110005450 | S.IC TS522IDT | B | 175.3/55.4 |
| IC5001 | 1140014830 | S.IC ADSP-21375KSWZ-2B <FE> | B | 222.5/55.6 |
| IC5201 | 1130015040 | S.IC MT48LC4M16A2P-75:G | B | 248.4/59.4 |
| IC5202 | 1130015683 | S.IC EN29LV040A-70SCP (SX-3183F-3) | B | 261.4/42.9 |
| IC5401 | 1110000960 | S.IC NJM4558M-TE1-#FMZB | B | 164.1/46.9 |
| IC5402 | 1110005450 | S.IC TS522IDT | B | 162.1/35.8 |
| IC5403 | 1110005450 | S.IC TS522IDT | B | 176.7/44.0 |
| IC5404 | 1130013110 | S.IC KIC7W53FK-RTK/P | B | 157.1/38.2 |
| IC5405 | 1110005610 | S.IC NJM2058V-TE1-#ZZZB | B | 176.5/19.1 |
| IC5451 | 1190002650 | S.IC AK4620BVP-E2/P | B | 189.1/45.1 |
| IC5452 | 1190002650 | S.IC AK4620BVP-E2/P | B | 187.8/21.6 |
| IC5453 | 1130012600 | S.IC SN74AHC1G04DCKR | B | 196.3/52.9 |
| IC5481 | 1110005450 | S.IC TS522IDT | B | 169.1/31.3 |
| IC5482 | 1110005450 | S.IC TS522IDT | B | 159.6/19.3 |
| IC6001 | 1130013110 | S.IC KIC7W53FK-RTK/P | B | 129.9/16.6 |
| IC6002 | 1130013110 | S.IC KIC7W53FK-RTK/P | B | 129.9/13.1 |
| IC6101 | 1130009691 | S.IC TC74HCT7007AF(F) S | T | 178.6/26.2 |
| IC6102 | 1130009691 | S.IC TC74HCT7007AF(F) S | B | 148.3/16.5 |
| IC6103 | 1130009691 | S.IC TC74HCT7007AF(F) S | B | 203.0/9.0 |
| Q1001 | 1590001650 | S.TRA XP4601(TX) | B | 190.5/31.5 |
| Q1021 | 1590003680 | S.TRA KRC402 RTK/P | B | 192.9/36.6 |
| Q2101 | 1590003680 | S.TRA KRC402 RTK/P | B | 104.6/15.5 |

[MAIN UNIT]

| REF NO. | PARTS NO. | DESCRIPTION | M. | H/V LOCATION |
|---------|------------|---|----|--------------|
| Q2102 | 1550000160 | S.FET CPH3313-TL-E | B | 108.9/14.8 |
| Q2201 | 1550000160 | S.FET CPH3313-TL-E | T | 74.7/6.0 |
| Q2202 | 1590003680 | S.TRA KRC402 RTK/P | T | 69.1/6.2 |
| Q3271 | 1530003960 | S.TRA KTC2875-B-RTK/P | T | 64.1/24.7 |
| Q3272 | 1590004010 | S.TRA KRA302-RTK/P | T | 62.5/22.1 |
| Q3275 | 1560001260 | S.FET 2SK3018 T106 | B | 56.9/26.5 |
| Q3276 | 1560001260 | S.FET 2SK3018 T106 | B | 54.4/26.2 |
| Q3301 | 1590004010 | S.TRA KRA302-RTK/P | B | 65.2/38.9 |
| Q3302 | 1590003680 | S.TRA KRC402 RTK/P | B | 68.6/38.9 |
| Q3303 | 1510000771 | S.TRA 2SA1586-GR(TE85LF) | T | 60.0/39.2 |
| Q3305 | 1590003680 | S.TRA KRC402 RTK/P | T | 68.7/35.4 |
| Q3306 | 1530003960 | S.TRA KTC2875-B-RTK/P | T | 65.0/35.5 |
| Q3631 | 1580000820 | S.FET 3SK264-5-TG-E | T | 78.0/26.9 |
| Q3651 | 1580000820 | S.FET 3SK264-5-TG-E | T | 81.2/45.7 |
| Q3681 | 1590004010 | S.TRA KRA302-RTK/P | B | 65.0/48.9 |
| Q3682 | 1590003680 | S.TRA KRC402 RTK/P | B | 65.0/46.3 |
| Q3691 | 1590004010 | S.TRA KRA302-RTK/P | B | 65.1/55.4 |
| Q3692 | 1590003680 | S.TRA KRC402 RTK/P | B | 65.1/52.8 |
| Q3701 | 1590003680 | S.TRA KRC402 RTK/P | T | 52.3/56.3 |
| Q3702 | 1590003680 | S.TRA KRC402 RTK/P | T | 52.3/53.1 |
| Q3703 | 1590003680 | S.TRA KRC402 RTK/P | T | 55.3/56.3 |
| Q3801 | 1530003900 | S.TRA KTC4075 BL-RTK/P | B | 88.7/44.2 |
| Q3802 | 1530003900 | S.TRA KTC4075 BL-RTK/P | B | 95.3/42.2 |
| Q4601 | 1590003680 | S.TRA KRC402 RTK/P | B | 150.4/59.5 |
| Q5401 | 1590003680 | S.TRA KRC402 RTK/P | B | 153.3/38.6 |
| D1 | 1790001241 | S.DIO MA2S7280GL | T | 233.4/66.8 |
| D301 | 1790001241 | S.DIO MA2S7280GL | T | 54.2/24.9 |
| D302 | 1790001241 | S.DIO MA2S7280GL | T | 67.9/24.2 |
| D1001 | 1590001320 | S.DIO KDS4148U RTK/P | B | 189.7/34.6 |
| D1021 | 1750001180 | S.DIO KDS122 RTK/P | B | 201.3/34.9 |
| D1022 | 1750001180 | S.DIO KDS122 RTK/P | B | 196.5/36.9 |
| D1121 | 1750001320 | S.DIO KDS4148U RTK/P | T | 241.9/6.5 |
| D1141 | 1750001710 | S.DIO RB751V-40 TE-17 | T | 234.3/11.5 |
| D1172 | 1750001320 | S.DIO KDS4148U RTK/P | B | 220.7/25.3 |
| D1173 | 1790001241 | S.DIO MA2S7280GL | B | 221.7/10.2 |
| D1174 | 1750001320 | S.DIO KDS4148U RTK/P | B | 208.9/20.2 |
| D1175 | 1750001320 | S.DIO KDS4148U RTK/P | B | 207.6/33.7 |
| D1201 | 1750001180 | S.DIO KDS122 RTK/P | B | 242.0/7.8 |
| D1202 | 1750001180 | S.DIO KDS122 RTK/P | B | 241.7/4.2 |
| D1203 | 1750001180 | S.DIO KDS122 RTK/P | B | 245.3/4.1 |
| D1204 | 1750001180 | S.DIO KDS122 RTK/P | B | 248.8/4.1 |
| D1281 | 1750001320 | S.DIO KDS4148U RTK/P | B | 234.3/13.1 |
| D1282 | 1750001180 | S.DIO KDS122 RTK/P | B | 200.6/30.6 |
| D1283 | 1750001180 | S.DIO KDS122 RTK/P | B | 211.8/4.2 |
| D1331 | 1750001180 | S.DIO KDS122 RTK/P | B | 209.3/4.2 |
| D1332 | 1750001180 | S.DIO KDS122 RTK/P | B | 214.3/4.3 |
| D1333 | 1750001180 | S.DIO KDS122 RTK/P | B | 252.3/4.1 |
| D1334 | 1750001180 | S.DIO KDS122 RTK/P | B | 216.8/4.2 |
| D1501 | 1750002020 | S.DIO DA2S10100L | T | 212.3/20.4 |
| D1502 | 1750002020 | S.DIO DA2S10100L | T | 212.3/21.6 |
| D1503 | 1750002020 | S.DIO DA2S10100L [USA] DA2S10100L [EUR] DA2S10100L [JPN] DA2S10100L [ITR] DA2S10100L [ESP] DA2S10100L [TPE] DA2S10100L [KOR] DA2S10100L [CHN] DA2S10100L [EXP] | T | 215.1/20.4 |
| D1504 | 1750002020 | S.DIO DA2S10100L | T | 217.9/20.4 |
| D1505 | 1750002020 | S.DIO DA2S10100L | T | 220.7/20.4 |
| D1506 | 1750002020 | S.DIO DA2S10100L [CHN] DA2S10100L [FRA] DA2S10100L [EXP] DA2S10100L [ITR] DA2S10100L [ESP] DA2S10100L [TPE] DA2S10100L [KOR] | T | 223.5/20.4 |
| D1507 | 1750002020 | S.DIO DA2S10100L | T | 226.3/20.4 |
| D1508 | 1750002020 | S.DIO DA2S10100L | T | 215.1/21.6 |
| D1509 | 1750002020 | S.DIO DA2S10100L | T | 217.9/21.6 |
| D1510 | 1750002020 | S.DIO DA2S10100L | T | 220.7/21.6 |
| D1511 | 1750002020 | S.DIO DA2S10100L | T | 223.5/21.6 |
| D1512 | 1750002020 | S.DIO DA2S10100L | T | 226.3/21.6 |
| D1513 | 1750002020 | S.DIO DA2S10100L [EUR] DA2S10100L [EUR-01] DA2S10100L [TPE] DA2S10100L [KOR] DA2S10100L [EXP] DA2S10100L [USA] DA2S10100L [EUR-01] DA2S10100L [ESP] DA2S10100L [KOR] DA2S10100L [FRA] DA2S10100L [EUR] DA2S10100L [EUR-01] DA2S10100L [ITR] DA2S10100L [ESP] DA2S10100L [TPE] DA2S10100L [KOR] DA2S10100L [CHN] DA2S10100L [FRA] DA2S10100L [EXP] | T | 229.1/20.4 |

M.=Mounted side (T: Mounted on the Top side, B: Mounted on the Bottom side)
S.=Surface mount

[MAIN UNIT]

| REF NO. | PARTS NO. | DESCRIPTION | M. | H/V LOCATION |
|---------|------------|---------------------------------------|----|--------------|
| D1516 | 1750002020 | S.DIO DA2S10100L [EUR] | T | 231.9/21.6 |
| | 1750002020 | S.DIO DA2S10100L [TPE] | | |
| | 1750002020 | S.DIO DA2S10100L [CHN] | | |
| | 1750002020 | S.DIO DA2S10100L [FRA] | | |
| D1517 | 1750002020 | S.DIO DA2S10100L [EUR] | T | 212.3/22.8 |
| | 1750002020 | S.DIO DA2S10100L [EUR-01] | | |
| | 1750002020 | S.DIO DA2S10100L [ITR] | | |
| | 1750002020 | S.DIO DA2S10100L [ESP] | | |
| | 1750002020 | S.DIO DA2S10100L [TPE] | | |
| | 1750002020 | S.DIO DA2S10100L [KOR] | | |
| | 1750002020 | S.DIO DA2S10100L [CHN] | | |
| | 1750002020 | S.DIO DA2S10100L [FRA] | | |
| D1518 | 1750002020 | S.DIO DA2S10100L [KOR] only | T | 212.3/24.0 |
| D1519 | 1750002020 | S.DIO DA2S10100L [EUR] | T | 215.1/22.8 |
| | 1750002020 | S.DIO DA2S10100L [EUR-01] | | |
| | 1750002020 | S.DIO DA2S10100L [ITR] | | |
| | 1750002020 | S.DIO DA2S10100L [FRA] | | |
| D1520 | 1750002020 | S.DIO DA2S10100L | T | 217.9/22.8 |
| D1523 | 1750002020 | S.DIO DA2S10100L [EUR] | T | 226.3/22.8 |
| | 1750002020 | S.DIO DA2S10100L [EUR-01] | | |
| | 1750002020 | S.DIO DA2S10100L [ITR] | | |
| | 1750002020 | S.DIO DA2S10100L [ESP] | | |
| | 1750002020 | S.DIO DA2S10100L [FRA] | | |
| D1527 | 1750002020 | S.DIO DA2S10100L | T | 223.5/24.0 |
| D1528 | 1750002020 | S.DIO DA2S10100L | T | 226.3/24.0 |
| D1530 | 1750002020 | S.DIO DA2S10100L [USA] | T | 231.9/22.8 |
| | 1750002020 | S.DIO DA2S10100L [KOR] | | |
| D1531 | 1750002020 | S.DIO DA2S10100L | T | 229.1/24.0 |
| D1532 | 1750002020 | S.DIO DA2S10100L | T | 231.9/24.0 |
| D2001 | 1750000960 | S.DIO RB081L-20 | T | 20.0/35.8 |
| D2002 | 1750000960 | S.DIO RB081L-20 | T | 20.0/52.9 |
| D3252 | 1750001320 | S.DIO KDS4148U RTK/P | T | 63.2/29.4 |
| D3253 | 1750001320 | S.DIO KDS4148U RTK/P | T | 67.8/28.4 |
| D3254 | 1750001320 | S.DIO KDS4148U RTK/P | T | 69.4/31.0 |
| D3271 | 1750001320 | S.DIO KDS4148U RTK/P | T | 61.9/34.4 |
| D3272 | 1790001241 | S.DIO MA2S7280GL | T | 57.5/30.0 |
| D3274 | 1750001320 | S.DIO KDS4148U RTK/P | T | 61.4/29.2 |
| D3275 | 1790001241 | S.DIO MA2S7280GL | T | 58.2/33.0 |
| D3277 | 1750001320 | S.DIO KDS4148U RTK/P | B | 59.0/25.4 |
| D3278 | 1790001241 | S.DIO MA2S7280GL | B | 45.6/34.1 |
| D3279 | 1750001320 | S.DIO KDS4148U RTK/P | B | 56.7/19.7 |
| D3280 | 1750001320 | S.DIO KDS4148U RTK/P | B | 51.2/25.3 |
| D3281 | 1750001320 | S.DIO KDS4148U RTK/P | B | 53.2/22.7 |
| D3301 | 1750001320 | S.DIO KDS4148U RTK/P | T | 62.2/39.4 |
| D3302 | 1750001320 | S.DIO KDS4148U RTK/P | T | 54.5/37.5 |
| D3303 | 1750001320 | S.DIO KDS4148U RTK/P | T | 52.9/39.7 |
| D3304 | 1790001331 | S.ZEN MAZ8036GLL | T | 56.3/39.7 |
| D3431 | 1790001670 | S.DIO RB706F-40T106 | T | 118.0/45.0 |
| D3451 | 1790001241 | S.DIO MA2S7280GL | B | 137.1/51.9 |
| D3521 | 1750001320 | S.DIO KDS4148U RTK/P | T | 121.4/39.7 |
| D3522 | 1750001320 | S.DIO KDS4148U RTK/P | T | 121.4/37.8 |
| D3523 | 1750001180 | S.DIO KDS122 RTK/P | B | 127.4/39.8 |
| D3531 | 1750001320 | S.DIO KDS4148U RTK/P | T | 121.4/29.6 |
| D3532 | 1750001320 | S.DIO KDS4148U RTK/P | T | 121.4/27.8 |
| D3533 | 1750001180 | S.DIO KDS122 RTK/P | B | 131.4/27.9 |
| D3671 | 1750000431 | S.DIO HSB88WSTR-E | T | 82.4/57.4 |
| D3681 | 1790001621 | S.DIO 1SV308(TPL3F) | T | 69.8/55.0 |
| D3682 | 1790001621 | S.DIO 1SV308(TPL3F) | B | 56.6/55.3 |
| D3691 | 1790001621 | S.DIO 1SV308(TPL3F) | T | 69.8/58.4 |
| D3692 | 1790001621 | S.DIO 1SV308(TPL3F) | B | 56.5/58.1 |
| D3701 | 1790001621 | S.DIO 1SV308(TPL3F) | B | 53.5/58.1 |
| D3702 | 1790001621 | S.DIO 1SV308(TPL3F) | B | 55.0/55.3 |
| D3703 | 1790001621 | S.DIO 1SV308(TPL3F) | B | 55.0/58.1 |
| D3801 | 1750001180 | S.DIO KDS122 RTK/P | B | 91.8/44.2 |
| D4401 | 1750001180 | S.DIO KDS122 RTK/P | T | 162.4/19.3 |
| D4402 | 1750001180 | S.DIO KDS122 RTK/P | T | 159.9/19.3 |
| D4403 | 1750001180 | S.DIO KDS122 RTK/P | T | 162.4/22.2 |
| D4404 | 1750001180 | S.DIO KDS122 RTK/P | T | 159.9/22.2 |
| D4601 | 1750001180 | S.DIO KDS122 RTK/P | B | 165.0/69.1 |
| D4602 | 1730002840 | S.ZEN DZ2J02400L | B | 153.0/55.3 |
| D4603 | 1730002840 | S.ZEN DZ2J02400L | B | 155.5/62.5 |
| D5401 | 1750001180 | S.DIO KDS122 RTK/P | B | 170.6/46.9 |
| D5402 | 1730002840 | S.ZEN DZ2J02400L | B | 155.5/33.9 |
| D5403 | 1730002840 | S.ZEN DZ2J02400L | B | 158.5/41.2 |
| FI3641 | 2020001070 | CER CFWLA455KDF-A-B0 (CFWS455D) | | |
| X1201 | 6050011810 | S.XTA CR-755 SMD-49 15.9744 MHz <KDS> | B | 264.3/17.8 |
| X3901 | 6050012980 | S.XTA CR-891 TAS-2016B 24.576 MHz | T | 202.1/72.9 |
| L2001 | 6200013280 | S.COI SLF10145T-330M1R6-PF | T | 10.7/32.5 |
| L2002 | 6200013280 | S.COI SLF10145T-330M1R6-PF | T | 22.0/28.8 |
| L2003 | 6200013280 | S.COI SLF10145T-330M1R6-PF | T | 10.7/54.4 |
| L3401 | 6200002041 | S.COI NLV25T-101J | T | 112.6/52.8 |
| L3411 | 6200003520 | S.COI ELJFB 102K-F | T | 94.0/44.6 |
| L3621 | 6200002041 | S.COI NLV25T-101J | T | 90.6/21.5 |
| L3622 | 6200002041 | S.COI NLV25T-101J | B | 90.2/24.3 |
| L3623 | 6200002041 | S.COI NLV25T-101J | T | 84.9/22.5 |
| L3631 | 6200002041 | S.COI NLV25T-101J | T | 84.3/29.8 |
| L3632 | 6200003520 | S.COI ELJFB 102K-F | T | 81.1/30.8 |
| L3651 | 6200002041 | S.COI NLV25T-101J | B | 82.5/40.8 |
| L3652 | 6150005420 | COI LS-554 7QM | | |
| L3671 | 6140004680 | S.COI LR-528 4KBL | T | 75.1/57.4 |
| L3672 | 6140002810 | S.COI LR-317 | T | 89.5/57.4 |
| L3673 | 6200002041 | S.COI NLV25T-101J | B | 67.2/60.4 |
| L3675 | 6200001981 | S.COI NLV25T-1R0J | T | 92.1/48.5 |
| L3681 | 6200002041 | S.COI NLV25T-101J | T | 67.3/52.6 |
| L3682 | 6200002851 | S.COI NLV25T-F82J | T | 64.2/51.1 |
| L3683 | 6200003661 | S.COI NLV25T-F86J | T | 60.9/53.9 |
| L3684 | 6200002041 | S.COI NLV25T-101J | T | 57.8/52.4 |

[MAIN UNIT]

| REF NO. | PARTS NO. | DESCRIPTION | M. | H/V LOCATION |
|---------|-------------|-----------------------------|----|--------------|
| L3691 | 6200001981 | S.COI NLV25T-1R0J | T | 67.4/59.1 |
| L3692 | 6200010670 | S.COI C2520C-R18G-A (0.18U) | T | 64.3/57.6 |
| L3693 | 6200011410 | S.COI C2520C-82NG-A | T | 60.8/60.8 |
| L3694 | 6200001981 | S.COI NLV25T-1R0J | T | 57.5/58.9 |
| L3912 | 6200002041 | S.COI NLV25T-101J | T | 201.2/51.9 |
| L4681 | 6200001981 | S.COI NLV25T-1R0J | B | 197.2/73.3 |
| L5521 | 6200001981 | S.COI NLV25T-1R0J | B | 193.8/54.2 |
| R1 | 7030010040 | S.RES ERJ2GEJ-JPW | T | 231.7/67.8 |
| R2 | 7030010040 | S.RES ERJ2GEJ-JPW | T | 229.8/67.8 |
| R3 | 7030010040 | S.RES ERJ2GEJ-JPW | T | 227.3/67.8 |
| R4 | 7030010040 | S.RES ERJ2GEJ-JPW | T | 225.7/67.8 |
| R5 | 7030010040 | S.RES ERJ2GEJ-JPW | T | 224.1/67.8 |
| R6 | 7030010040 | S.RES ERJ2GEJ-JPW | T | 222.5/67.8 |
| R7 | 7030010040 | S.RES ERJ2GEJ-JPW | T | 220.9/67.8 |
| R9 | 7030010040 | S.RES ERJ2GEJ-JPW | T | 217.7/67.8 |
| R10 | 7030010040 | S.RES ERJ2GEJ-JPW | T | 219.3/67.8 |
| R11 | 7030010040 | S.RES ERJ2GEJ-JPW | T | 215.0/67.8 |
| R12 | 7030010040 | S.RES ERJ2GEJ-JPW | T | 213.4/67.8 |
| R21 | 7030010040 | S.RES ERJ2GEJ-JPW | T | 256.1/67.3 |
| R22 | 7030010040 | S.RES ERJ2GEJ-JPW | T | 256.1/68.5 |
| R23 | 7030010040 | S.RES ERJ2GEJ-JPW | T | 253.8/66.9 |
| R24 | 7030010040 | S.RES ERJ2GEJ-JPW | T | 252.0/66.9 |
| R25 | 7030010040 | S.RES ERJ2GEJ-JPW | T | 248.3/66.9 |
| R26 | 7030010040 | S.RES ERJ2GEJ-JPW | T | 246.6/66.9 |
| R27 | 7030010040 | S.RES ERJ2GEJ-JPW | T | 242.7/66.9 |
| R28 | 7030010040 | S.RES ERJ2GEJ-JPW | T | 239.2/67.6 |
| R31 | 7030004990 | S.RES ERJ2GEJ 221 X (220) | T | 84.3/7.5 |
| R32 | 7030004990 | S.RES ERJ2GEJ 221 X (220) | T | 83.3/7.5 |
| R33 | 7030004990 | S.RES ERJ2GEJ 221 X (220) | T | 82.3/7.5 |
| R34 | 7030004990 | S.RES ERJ2GEJ 221 X (220) | T | 81.3/7.5 |
| R37 | 7030004990 | S.RES ERJ2GEJ 221 X (220) | T | 78.3/7.5 |
| R38 | 7030004990 | S.RES ERJ2GEJ 221 X (220) | T | 79.3/7.5 |
| R51 | 7030004990 | S.RES ERJ2GEJ 221 X (220) | T | 197.0/42.6 |
| R52 | 7030004990 | S.RES ERJ2GEJ 221 X (220) | T | 196.6/48.5 |
| R53 | 7030005530 | S.RES ERJ2GEJ 100 X (10) | T | 192.8/42.6 |
| R54 | 70300010040 | S.RES ERJ2GEJ-JPW | T | 192.5/48.5 |
| R56 | 7030004990 | S.RES ERJ2GEJ 221 X (220) | T | 194.5/48.5 |
| R57 | 7030004990 | S.RES ERJ2GEJ 221 X (220) | T | 193.7/42.6 |
| R58 | 7030004990 | S.RES ERJ2GEJ 221 X (220) | T | 193.5/48.5 |
| R59 | 7030004990 | S.RES ERJ2GEJ 221 X (220) | T | 191.9/42.6 |
| R60 | 7030004990 | S.RES ERJ2GEJ 221 X (220) | T | 191.4/48.5 |
| R61 | 7030004990 | S.RES ERJ2GEJ 221 X (220) | T | 191.0/42.6 |
| R62 | 7030004990 | S.RES ERJ2GEJ 221 X (220) | T | 190.5/48.5 |
| R63 | 7030004990 | S.RES ERJ2GEJ 221 X (220) | T | 190.0/42.6 |
| R64 | 7030004990 | S.RES ERJ2GEJ 221 X (220) | T | 189.5/48.5 |
| R65 | 7030004990 | S.RES ERJ2GEJ 221 X (220) | T | 189.0/42.6 |
| R66 | 7030004990 | S.RES ERJ2GEJ 221 X (220) | T | 188.5/48.5 |
| R67 | 7030004990 | S.RES ERJ2GEJ 221 X (220) | T | 188.0/42.6 |
| R68 | 7030004990 | S.RES ERJ2GEJ 221 X (220) | T | 187.5/48.5 |
| R70 | 7030004990 | S.RES ERJ2GEJ 221 X (220) | T | 186.5/48.5 |
| R71 | 7030004990 | S.RES ERJ2GEJ 221 X (220) | T | 185.9/42.6 |
| R72 | 7030004990 | S.RES ERJ2GEJ 221 X (220) | T | 185.5/48.5 |
| R73 | 7030004990 | S.RES ERJ2GEJ 221 X (220) | T | 185.0/42.6 |
| R74 | 7030004990 | S.RES ERJ2GEJ 221 X (220) | T | 184.5/48.5 |
| R75 | 7030004990 | S.RES ERJ2GEJ 221 X (220) | T | 184.0/42.6 |
| R76 | 7030004990 | S.RES ERJ2GEJ 221 X (220) | T | 183.5/48.5 |
| R77 | 7030004990 | S.RES ERJ2GEJ 221 X (220) | T | 183.0/42.6 |
| R78 | 7030004990 | S.RES ERJ2GEJ 221 X (220) | T | 182.5/48.5 |
| R79 | 7030004990 | S.RES ERJ2GEJ 221 X (220) | T | 180.0/42.6 |
| R80 | 7030004990 | S.RES ERJ2GEJ 221 X (220) | T | 179.5/48.5 |
| R141 | 7030004990 | S.RES ERJ2GEJ 221 X (220) | T | 177.6/63.1 |
| R142 | 7030004990 | S.RES ERJ2GEJ 221 X (220) | T | 177.3/57.2 |
| R143 | 7030004990 | S.RES ERJ2GEJ 221 X (220) | T | 178.6/63.1 |
| R144 | 7030010040 | S.RES ERJ2GEJ-JPW | T | 178.3/57.2 |
| R145 | 7030004990 | S.RES ERJ2GEJ 221 X (220) | T | 179.6/63.1 |
| R146 | 7030004990 | S.RES ERJ2GEJ 221 X (220) | T | 180.1/57.2 |
| R147 | 7030004990 | S.RES ERJ2GEJ 221 X (220) | T | 180.6/63.1 |
| R148 | 7030004990 | S.RES ERJ2GEJ 221 X (220) | T | 181.1/57.2 |
| R149 | 7030004990 | S.RES ERJ2GEJ 221 X (220) | T | 181.6/63.1 |
| R150 | 7030004990 | S.RES ERJ2GEJ 221 X (220) | T | 182.1/57.2 |
| R151 | 7030004990 | S.RES ERJ2GEJ 221 X (220) | T | 182.6/63.1 |
| R152 | 7030004990 | S.RES ERJ2GEJ 221 X (220) | T | 183.1/57.2 |
| R153 | 7030004990 | S.RES ERJ2GEJ 221 X (220) | T | 183.6/63.1 |
| R154 | 7030004990 | S.RES ERJ2GEJ 221 X (220) | T | 194.1/57.2 |
| R155 | 7030004990 | S.RES ERJ2GEJ | | |

[MAIN UNIT]

| REF NO. | PARTS NO. | DESCRIPTION | M. | H/V LOCATION |
|---------|------------|----------------------------|----|--------------|
| R266 | 7030004990 | S.RES ERJ2GEJ 221 X (220) | T | 200.8/10.0 |
| R267 | 7030004990 | S.RES ERJ2GEJ 221 X (220) | T | 201.8/10.0 |
| R268 | 7030004990 | S.RES ERJ2GEJ 221 X (220) | T | 203.2/10.0 |
| R270 | 7030004990 | S.RES ERJ2GEJ 221 X (220) | T | 204.8/10.0 |
| R271 | 7030004990 | S.RES ERJ2GEJ 221 X (220) | T | 205.8/10.0 |
| R272 | 7030004990 | S.RES ERJ2GEJ 221 X (220) | T | 206.8/10.0 |
| R273 | 7030004990 | S.RES ERJ2GEJ 221 X (220) | T | 207.8/10.0 |
| R274 | 7030004990 | S.RES ERJ2GEJ 221 X (220) | T | 208.8/10.0 |
| R275 | 7030004990 | S.RES ERJ2GEJ 221 X (220) | T | 209.8/10.0 |
| R276 | 7030004990 | S.RES ERJ2GEJ 221 X (220) | T | 210.8/10.0 |
| R277 | 7030004990 | S.RES ERJ2GEJ 221 X (220) | T | 211.8/10.0 |
| R278 | 7030004990 | S.RES ERJ2GEJ 221 X (220) | T | 212.8/10.0 |
| R279 | 7030004990 | S.RES ERJ2GEJ 221 X (220) | T | 214.0/10.0 |
| R280 | 7030010040 | S.RES ERJ2GEJ-JPW | T | 215.5/10.0 |
| R1001 | 7030010040 | S.RES ERJ2GEJ-JPW | B | 190.9/33.2 |
| R1002 | 7030008290 | S.RES ERJ2GEJ 183 X (18K) | B | 188.6/32.7 |
| R1003 | 7030005050 | S.RES ERJ2GEJ 103 X (10K) | B | 188.6/31.1 |
| R1004 | 7030008010 | S.RES ERJ2GEJ 123 X (12K) | B | 192.3/31.7 |
| R1005 | 7030005240 | S.RES ERJ2GEJ 473 X (47K) | B | 193.7/30.7 |
| R1006 | 7030005090 | S.RES ERJ2GEJ 104 X (100K) | B | 199.1/32.1 |
| R1007 | 7030005090 | S.RES ERJ2GEJ 104 X (100K) | B | 199.1/33.2 |
| R1021 | 7030005120 | S.RES ERJ2GEJ 102 X (1K) | B | 244.3/36.4 |
| R1022 | 7030005120 | S.RES ERJ2GEJ 102 X (1K) | B | 194.7/35.3 |
| R1023 | 7030005160 | S.RES ERJ2GEJ 105 X (1M) | B | 196.1/38.7 |
| R1024 | 7030005240 | S.RES ERJ2GEJ 473 X (47K) | B | 199.1/35.8 |
| R1025 | 7030005090 | S.RES ERJ2GEJ 104 X (100K) | B | 199.1/34.2 |
| R1041 | 7030005120 | S.RES ERJ2GEJ 102 X (1K) | B | 194.7/16.5 |
| R1042 | 7030005240 | S.RES ERJ2GEJ 473 X (47K) | B | 195.6/16.5 |
| R1043 | 7030005220 | S.RES ERJ2GEJ 223 X (22K) | B | 247.7/10.9 |
| R1044 | 7030005240 | S.RES ERJ2GEJ 473 X (47K) | B | 184.9/32.5 |
| R1061 | 7030005120 | S.RES ERJ2GEJ 102 X (1K) | T | 198.8/14.9 |
| R1062 | 7030005240 | S.RES ERJ2GEJ 473 X (47K) | B | 238.8/7.5 |
| R1063 | 7030005240 | S.RES ERJ2GEJ 473 X (47K) | T | 245.1/9.0 |
| R1064 | 7030005240 | S.RES ERJ2GEJ 473 X (47K) | B | 243.9/8.6 |
| R1066 | 7030005240 | S.RES ERJ2GEJ 473 X (47K) | B | 261.3/25.7 |
| R1081 | 7030005220 | S.RES ERJ2GEJ 223 X (22K) | B | 238.8/5.7 |
| R1082 | 7030005050 | S.RES ERJ2GEJ 103 X (10K) | B | 238.8/6.6 |
| R1101 | 7030005720 | S.RES ERJ2GEJ 563 X (56K) | T | 222.6/6.8 |
| R1102 | 7030005220 | S.RES ERJ2GEJ 223 X (22K) | T | 221.4/5.8 |
| R1103 | 7030005050 | S.RES ERJ2GEJ 103 X (10K) | T | 224.3/7.6 |
| R1104 | 7030007290 | S.RES ERJ2GEJ 222 X (2.2K) | T | 221.4/4.1 |
| R1121 | 7030005040 | S.RES ERJ2GEJ 472 X (4.7K) | T | 254.0/9.5 |
| R1122 | 7030005040 | S.RES ERJ2GEJ 472 X (4.7K) | T | 253.0/9.2 |
| R1123 | 7030005040 | S.RES ERJ2GEJ 472 X (4.7K) | T | 252.0/9.5 |
| R1124 | 7030005040 | S.RES ERJ2GEJ 472 X (4.7K) | T | 250.0/9.5 |
| R1125 | 7030005040 | S.RES ERJ2GEJ 472 X (4.7K) | T | 249.0/9.5 |
| R1126 | 7030005240 | S.RES ERJ2GEJ 473 X (47K) | T | 227.9/8.3 |
| R1127 | 7030005240 | S.RES ERJ2GEJ 473 X (47K) | T | 236.1/9.1 |
| R1128 | 7030005240 | S.RES ERJ2GEJ 473 X (47K) | T | 234.5/9.1 |
| R1141 | 7030005050 | S.RES ERJ2GEJ 103 X (10K) | T | 225.9/7.6 |
| R1161 | 7030005120 | S.RES ERJ2GEJ 102 X (1K) | B | 209.8/28.3 |
| R1162 | 7030005120 | S.RES ERJ2GEJ 102 X (1K) | B | 221.7/18.4 |
| R1163 | 7030005120 | S.RES ERJ2GEJ 102 X (1K) | B | 210.8/14.0 |
| R1164 | 7030005120 | S.RES ERJ2GEJ 102 X (1K) | B | 222.4/26.4 |
| R1165 | 7030005120 | S.RES ERJ2GEJ 102 X (1K) | B | 209.8/30.3 |
| R1166 | 7030005120 | S.RES ERJ2GEJ 102 X (1K) | B | 221.7/13.7 |
| R1167 | 7030005120 | S.RES ERJ2GEJ 102 X (1K) | B | 222.6/24.6 |
| R1168 | 7030005120 | S.RES ERJ2GEJ 102 X (1K) | B | 209.5/25.5 |
| R1169 | 7030005120 | S.RES ERJ2GEJ 102 X (1K) | B | 221.7/12.5 |
| R1170 | 7030005120 | S.RES ERJ2GEJ 102 X (1K) | B | 210.6/10.0 |
| R1171 | 7030004990 | S.RES ERJ2GEJ 221 X (220) | B | 222.8/29.5 |
| R1172 | 7030004990 | S.RES ERJ2GEJ 221 X (220) | B | 211.1/20.6 |
| R1173 | 7030005120 | S.RES ERJ2GEJ 102 X (1K) | B | 221.7/16.4 |
| R1174 | 7030005120 | S.RES ERJ2GEJ 102 X (1K) | B | 210.5/12.0 |
| R1175 | 7030005120 | S.RES ERJ2GEJ 102 X (1K) | B | 210.4/16.0 |
| R1176 | 7030005120 | S.RES ERJ2GEJ 102 X (1K) | B | 216.0/34.0 |
| R1177 | 7030005240 | S.RES ERJ2GEJ 473 X (47K) | B | 207.7/29.3 |
| R1178 | 7030005240 | S.RES ERJ2GEJ 473 X (47K) | B | 222.9/17.1 |
| R1179 | 7030005240 | S.RES ERJ2GEJ 473 X (47K) | B | 215.6/8.7 |
| R1180 | 7030005530 | S.RES ERJ2GEJ 100 X (10) | B | 207.2/25.1 |
| R1181 | 7030005240 | S.RES ERJ2GEJ 473 X (47K) | B | 221.9/29.5 |
| R1182 | 7030005050 | S.RES ERJ2GEJ 103 X (10K) | B | 209.8/23.7 |
| R1183 | 7030010040 | S.RES ERJ2GEJ-JPW | B | 209.0/34.5 |
| R1184 | 7030005530 | S.RES ERJ2GEJ 100 X (10) | B | 199.4/21.4 |
| R1186 | 7030005090 | S.RES ERJ2GEJ 104 X (100K) | B | 197.1/24.3 |
| R1187 | 7030005700 | S.RES ERJ2GEJ 274 X (270K) | B | 207.2/27.1 |
| R1188 | 7030004980 | S.RES ERJ2GEJ 101 X (100) | B | 197.0/27.9 |
| R1189 | 7030004980 | S.RES ERJ2GEJ 101 X (100) | B | 207.1/21.5 |
| R1191 | 7030005090 | S.RES ERJ2GEJ 104 X (100K) | B | 207.2/26.1 |
| R1201 | 7030005120 | S.RES ERJ2GEJ 102 X (1K) | B | 254.3/5.1 |
| R1202 | 7030005120 | S.RES ERJ2GEJ 102 X (1K) | B | 252.3/7.8 |
| R1203 | 7030005120 | S.RES ERJ2GEJ 102 X (1K) | B | 250.7/7.8 |
| R1204 | 7030005120 | S.RES ERJ2GEJ 102 X (1K) | B | 249.1/7.8 |
| R1205 | 7030005160 | S.RES ERJ2GEJ 105 X (1M) | B | 241.8/6.0 |
| R1206 | 7030005160 | S.RES ERJ2GEJ 105 X (1M) | B | 243.5/3.6 |
| R1207 | 7030005160 | S.RES ERJ2GEJ 105 X (1M) | B | 247.0/4.1 |
| R1208 | 7030005160 | S.RES ERJ2GEJ 105 X (1M) | B | 250.5/4.1 |
| R1209 | 7030005160 | S.RES ERJ2GEJ 105 X (1M) | B | 249.1/6.0 |
| R1210 | 7030005160 | S.RES ERJ2GEJ 105 X (1M) | B | 250.7/6.0 |
| R1211 | 7030005160 | S.RES ERJ2GEJ 105 X (1M) | B | 252.3/6.0 |
| R1212 | 7030005160 | S.RES ERJ2GEJ 105 X (1M) | B | 254.3/3.3 |
| R1213 | 7030010040 | S.RES ERJ2GEJ-JPW | B | 247.5/7.3 |
| R1214 | 7030010040 | S.RES ERJ2GEJ-JPW | B | 246.6/7.3 |
| R1215 | 7030010040 | S.RES ERJ2GEJ-JPW | B | 245.7/7.3 |
| R1216 | 7030010040 | S.RES ERJ2GEJ-JPW | B | 244.8/7.3 |
| R1217 | 7030005240 | S.RES ERJ2GEJ 473 X (47K) | B | 246.8/10.9 |
| R1218 | 7030005240 | S.RES ERJ2GEJ 473 X (47K) | B | 245.9/10.7 |
| R1219 | 7030009160 | S.RES ERJ2GEJ 181 X (180) | B | 261.1/22.5 |
| R1220 | 7030005240 | S.RES ERJ2GEJ 473 X (47K) | B | 263.0/27.5 |
| R1221 | 7030005040 | S.RES ERJ2GEJ 472 X (4.7K) | B | 261.3/26.6 |
| R1222 | 7030005040 | S.RES ERJ2GEJ 472 X (4.7K) | T | 259.7/25.3 |
| R1241 | 7030005240 | S.RES ERJ2GEJ 473 X (47K) | T | 266.3/50.1 |
| R1261 | 7030005040 | S.RES ERJ2GEJ 472 X (4.7K) | T | 259.8/27.7 |
| R1281 | 7030005240 | S.RES ERJ2GEJ 473 X (47K) | B | 261.3/27.5 |
| R1282 | 7030005240 | S.RES ERJ2GEJ 473 X (47K) | B | 242.8/36.4 |

[MAIN UNIT]

| REF NO. | PARTS NO. | DESCRIPTION | M. | H/V LOCATION |
|---------|------------|----------------------------|----|--------------|
| R1283 | 7030005080 | S.RES ERJ2GEJ 823 X (82K) | B | 234.3/14.5 |
| R1284 | 7030005240 | S.RES ERJ2GEJ 473 X (47K) | B | 234.9/11.7 |
| R1285 | 7030005240 | S.RES ERJ2GEJ 473 X (47K) | B | 234.6/32.6 |
| R1286 | 7030005240 | S.RES ERJ2GEJ 473 X (47K) | B | 259.3/22.0 |
| R1287 | 7030005240 | S.RES ERJ2GEJ 473 X (47K) | B | 234.7/19.1 |
| R1288 | 7030005120 | S.RES ERJ2GEJ 102 X (1K) | B | 199.8/28.8 |
| R1289 | 7030005090 | S.RES ERJ2GEJ 104 X (100K) | B | 249.7/36.4 |
| R1290 | 7030005090 | S.RES ERJ2GEJ 104 X (100K) | B | 250.6/36.4 |
| R1301 | 7030005040 | S.RES ERJ2GEJ 472 X (4.7K) | T | 195.2/28.4 |
| R1302 | 7030005040 | S.RES ERJ2GEJ 472 X (4.7K) | T | 201.2/22.9 |
| R1303 | 7030005040 | S.RES ERJ2GEJ 472 X (4.7K) | T | 239.3/22.6 |
| R1304 | 7030005040 | S.RES ERJ2GEJ 472 X (4.7K) | T | 208.2/25.1 |
| R1305 | 7030005040 | S.RES ERJ2GEJ 472 X (4.7K) | T | 199.5/26.5 |
| R1306 | 7030005040 | S.RES ERJ2GEJ 472 X (4.7K) | T | 199.5/25.5 |
| R1311 | 7030005040 | S.RES ERJ2GEJ 472 X (4.7K) | B | 150.8/22.0 |
| R1312 | 7030005040 | S.RES ERJ2GEJ 472 X (4.7K) | B | 201.8/3.6 |
| R1313 | 7030005040 | S.RES ERJ2GEJ 472 X (4.7K) | B | 206.8/3.6 |
| R1314 | 7030005040 | S.RES ERJ2GEJ 472 X (4.7K) | B | 148.3/22.0 |
| R1315 | 7030005040 | S.RES ERJ2GEJ 472 X (4.7K) | T | 240.0/10.5 |
| R1321 | 7030005040 | S.RES ERJ2GEJ 472 X (4.7K) | T | 240.4/16.9 |
| R1322 | 7030005040 | S.RES ERJ2GEJ 472 X (4.7K) | T | 238.9/17.4 |
| R1323 | 7030005040 | S.RES ERJ2GEJ 472 X (4.7K) | T | 264.7/13.9 |
| R1324 | 7030005240 | S.RES ERJ2GEJ 473 X (47K) | B | 235.8/33.1 |
| R1325 | 7030005040 | S.RES ERJ2GEJ 472 X (4.7K) | T | 252.1/11.0 |
| R1326 | 7030005040 | S.RES ERJ2GEJ 472 X (4.7K) | T | 266.4/14.2 |
| R1331 | 7030005050 | S.RES ERJ2GEJ 103 X (10K) | B | 209.4/7.4 |
| R1332 | 7030005090 | S.RES ERJ2GEJ 104 X (100K) | B | 246.7/9.5 |
| R1341 | 7030005040 | S.RES ERJ2GEJ 472 X (4.7K) | T | 255.3/30.9 |
| R1342 | 7030005040 | S.RES ERJ2GEJ 472 X (4.7K) | T | 256.7/30.8 |
| R1351 | 7030005240 | S.RES ERJ2GEJ 473 X (47K) | B | 233.7/32.1 |
| R1353 | 7030005240 | S.RES ERJ2GEJ 473 X (47K) | T | 211.7/26.1 |
| R1354 | 7030005240 | S.RES ERJ2GEJ 473 X (47K) | T | 192.3/65.6 |
| R1361 | 7030005040 | S.RES ERJ2GEJ 472 X (4.7K) | T | 239.3/23.5 |
| R1362 | 7030005040 | S.RES ERJ2GEJ 472 X (4.7K) | T | 200.3/22.9 |
| R1363 | 7030005040 | S.RES ERJ2GEJ 472 X (4.7K) | T | 239.9/27.4 |
| R1364 | 7030005040 | S.RES ERJ2GEJ 472 X (4.7K) | T | 239.3/15.8 |
| R1365 | 7030005040 | S.RES ERJ2GEJ 472 X (4.7K) | T | 239.9/26.4 |
| R1366 | 7030005040 | S.RES ERJ2GEJ 472 X (4.7K) | T | 240.4/17.9 |
| R1367 | 7030005040 | S.RES ERJ2GEJ 472 X (4.7K) | T | 239.9/25.4 |
| R1371 | 7030005240 | S.RES ERJ2GEJ 473 X (47K) | B | 233.0/19.0 |
| R1372 | 7030005040 | S.RES ERJ2GEJ 472 X (4.7K) | T | 254.2/30.9 |
| R1373 | 7030005240 | S.RES ERJ2GEJ 473 X (47K) | B | 248.9/10.3 |
| R1374 | 7030005240 | S.RES ERJ2GEJ 473 X (47K) | B | 249.9/11.2 |
| R1375 | 7030005240 | S.RES ERJ2GEJ 473 X (47K) | B | 263.0/28.4 |
| R1376 | 7030005240 | S.RES ERJ2GEJ 473 X (47K) | B | 260.8/14.9 |
| R1377 | 7030005240 | S.RES ERJ2GEJ 473 X (47K) | B | 231.1/20.4 |
| R1378 | 7030005240 | S.RES ERJ2GEJ 473 X (47K) | B | 231.1/21.3 |
| R1379 | 7030005240 | S.RES ERJ2GEJ 473 X (47K) | B | 231.0/22.2 |
| R1380 | 7030005240 | S.RES ERJ2GEJ 473 X (47K) | B | 232.4/23.0 |
| R1381 | 7030005240 | S.RES ERJ2GEJ 473 X (47K) | B | 233.4/16.3 |
| R1382 | 7030005240 | S.RES ERJ2GEJ 473 X (47K) | B | 233.4/17.2 |
| R1383 | 7030005120 | S.RES ERJ2GEJ 102 X (1K) | B | 233.7/23.3 |
| R1384 | 7030005120 | S.RES ERJ2GEJ 102 X (1K) | B | 233.7/24.2 |
| R1385 | 7030005120 | S.RES ERJ2GEJ 102 X (1K) | B | 233.7/25.1 |
| R1386 | 7030005120 | S.RES ERJ2GEJ 102 X (1K) | B | 233.7/26.0 |
| R1391 | 7030005240 | S.RES ERJ2GEJ 473 X (47K) | B | 248.8/36.4 |
| R1392 | 7030005240 | S.RES ERJ2GEJ 473 X (47K) | B | 237.7/35.6 |
| R1401 | 7030005030 | S.RES ERJ2GEJ 152 X (1.5K) | B | 191.4/6.3 |
| R1402 | 7030005110 | S.RES ERJ2GEJ 224 X (220K) | B | 251.8/36.4 |
| R1405 | 7030005110 | S.RES ERJ2GEJ 224 X (220K) | B | 218.5/3.6 |
| R1406 | 7030005110 | S.RES ERJ2GEJ 224 X (220K) | B | 219.5/3.6 |
| R1407 | 7030005110 | S.RES ERJ2GEJ 224 X (220K) | B | 221.6/3.6 |
| R1408 | 7030005110 | S.RES ERJ2GEJ 224 X (220K) | B | 253.3/36.4 |
| R1501 | 7030005120 | S.RES ERJ2GEJ 102 X (1K) | T | 252.8/30.9 |
| R1502 | 7030005120 | S.RES ERJ2GEJ 102 X (1K) | T | 251.8/30.9 |
| R1503 | 7030005120 | S.RES ERJ2GEJ 102 X (1K) | T | 250.8/30.9 |
| R1504 | 7030005120 | S.RES ERJ2GEJ 102 X (1K) | T | 248.0/30.5 |
| R2001 | 7030006561 | S.RES ERA3YED 223V (22K) | T | 29.0/43.2 |
| R2002 | 7030005871 | S.RES ERA3YK 104V (100K) | T | 28.3/41.0 |
| R2003 | 7030005451 | S.RES ERA3YED 153V (15K) | T | 27.7/43.2 |
| R2004 | 7030005050 | S.RES ERJ2GEJ 103 X (10K) | T | 27.1/38.3 |
| R2005 | 7030005050 | S.RES ERJ2GEJ 103 X (10K) | T | 27.1/49.5 |
| R2006 | | | | |

[MAIN UNIT]

| REF NO. | PARTS NO. | DESCRIPTION | M. | H/V LOCATION |
|---------|------------|-----------------------------|----|--------------|
| R3229 | 7030004980 | S.RES ERJ2GEJ 101 X (100) | B | 45.1/54.5 |
| R3230 | 7030004980 | S.RES ERJ2GEJ 101 X (100) | B | 45.1/55.5 |
| R3231 | 7030004980 | S.RES ERJ2GEJ 101 X (100) | B | 45.1/56.5 |
| R3232 | 7030004980 | S.RES ERJ2GEJ 101 X (100) | B | 36.1/36.4 |
| R3233 | 7030004980 | S.RES ERJ2GEJ 101 X (100) | B | 36.1/34.8 |
| R3234 | 7030004980 | S.RES ERJ2GEJ 101 X (100) | B | 45.1/36.3 |
| R3241 | 7030010040 | S.RES ERJ2GEJ-JPW | B | 48.3/33.0 |
| R3251 | 7030009920 | S.RES ERJ3GEYJ 335 V (3.3M) | T | 65.0/31.9 |
| R3252 | 7030003820 | S.RES ERJ3GEYJ 155 V (1.5M) | T | 63.1/32.7 |
| R3253 | 7030003590 | S.RES ERJ3GEYJ 183 V (18K) | B | 69.6/30.5 |
| R3254 | 7030004980 | S.RES ERJ2GEJ 101 X (100) | T | 64.3/27.4 |
| R3255 | 7030007320 | S.RES ERJ2GEJ 225 X (2.2M) | T | 64.8/28.7 |
| R3256 | 7030005290 | S.RES ERJ2GEJ 682 X (6.8K) | B | 67.1/29.8 |
| R3257 | 7030005090 | S.RES ERJ2GEJ 104 X (100K) | T | 65.7/20.4 |
| R3258 | 7030005070 | S.RES ERJ2GEJ 683 X (68K) | T | 65.2/29.9 |
| R3259 | 7030008300 | S.RES ERJ2GEJ 184 X (180K) | T | 65.9/27.4 |
| R3260 | 7510001511 | S.THE NTCG16 4LH 223JT | T | 67.3/29.9 |
| R3261 | 7030005040 | S.RES ERJ2GEJ 472 X (4.7K) | T | 67.6/32.9 |
| R3262 | 7030005030 | S.RES ERJ2GEJ 152 X (1.5K) | T | 67.6/31.2 |
| R3263 | 7030005070 | S.RES ERJ2GEJ 683 X (68K) | B | 67.3/33.7 |
| R3264 | 7030006610 | S.RES ERJ2GEJ 394 X (390K) | T | 51.8/32.2 |
| R3265 | 7030005160 | S.RES ERJ2GEJ 105 X (1M) | T | 51.8/33.1 |
| R3266 | 7030004980 | S.RES ERJ2GEJ 101 X (100) | B | 54.0/29.9 |
| R3267 | 7030003830 | S.RES ERJ3GEYJ 185 V (1.8M) | B | 67.6/31.2 |
| R3268 | 7030003760 | S.RES ERJ3GEYJ 474 V (470K) | B | 68.4/33.2 |
| R3270 | 7030005040 | S.RES ERJ2GEJ 472 X (4.7K) | B | 64.2/22.8 |
| R3271 | 7030007280 | S.RES ERJ2GEJ 331 X (330) | T | 59.9/33.9 |
| R3272 | 7030005830 | S.RES RR0510P-223-D (22K) | T | 59.6/30.0 |
| R3273 | 7030004980 | S.RES ERJ2GEJ 101 X (100) | T | 59.8/35.8 |
| R3275 | 7030005110 | S.RES ERJ2GEJ 224 X (220K) | T | 59.9/32.3 |
| R3276 | 7030010040 | S.RES ERJ2GEJ-JPW | T | 59.5/31.0 |
| R3277 | 7030005120 | S.RES ERJ2GEJ 102 X (1K) | T | 60.9/27.0 |
| R3280 | 7030005840 | S.RES RR0510P-473-D (47K) | T | 57.9/31.0 |
| R3281 | 7030007280 | S.RES ERJ2GEJ 331 X (330) | T | 59.3/27.0 |
| R3282 | 7030005090 | S.RES ERJ2GEJ 104 X (100K) | B | 59.0/22.9 |
| R3283 | 7030005240 | S.RES ERJ2GEJ 473 X (47K) | T | 58.6/31.9 |
| R3284 | 7030012310 | S.RES ERJ2RKD 3303X (330K) | T | 55.1/34.0 |
| R3285 | 7030004980 | S.RES ERJ2GEJ 101 X (100) | B | 57.7/30.5 |
| R3286 | 7030007320 | S.RES ERJ2GEJ 225 X (2.2M) | T | 57.9/27.3 |
| R3287 | 7030005090 | S.RES ERJ2GEJ 104 X (100K) | B | 52.6/24.9 |
| R3288 | 7030005240 | S.RES ERJ2GEJ 473 X (47K) | B | 57.1/24.6 |
| R3289 | 7030012320 | S.RES ERJ2RKD 2203X (220K) | T | 55.6/32.7 |
| R3290 | 7030012310 | S.RES ERJ2RKD 3303X (330K) | T | 53.9/35.8 |
| R3291 | 7030005110 | S.RES ERJ2GEJ 224 X (220K) | T | 55.6/28.2 |
| R3292 | 7030005110 | S.RES ERJ2GEJ 224 X (220K) | B | 57.7/29.6 |
| R3293 | 7030012270 | S.RES ERJ2RKD 1203X (120K) | T | 55.2/35.4 |
| R3294 | 7030005220 | S.RES ERJ2GEJ 223 X (22K) | T | 55.6/26.6 |
| R3297 | 7030005830 | S.RES RR0510P-223-D (22K) | T | 53.0/34.0 |
| R3298 | 7030005830 | S.RES RR0510P-223-D (22K) | T | 53.9/34.9 |
| R3299 | 7030005110 | S.RES ERJ2GEJ 224 X (220K) | B | 45.9/32.8 |
| R3300 | 7030012230 | S.RES ERJ2GEJ 475 X (4.7M) | T | 66.0/41.1 |
| R3301 | 7030005050 | S.RES ERJ2GEJ 103 X (10K) | T | 57.3/41.5 |
| R3302 | 7030010040 | S.RES ERJ2GEJ-JPW | T | 55.0/31.5 |
| R3303 | 7030005090 | S.RES ERJ2GEJ 104 X (100K) | T | 53.4/31.9 |
| R3304 | 7030005040 | S.RES ERJ2GEJ 472 X (4.7K) | T | 63.8/41.1 |
| R3305 | 7030005160 | S.RES ERJ2GEJ 105 X (1M) | T | 63.8/40.2 |
| R3306 | 7030005120 | S.RES ERJ2GEJ 102 X (1K) | T | 57.7/38.3 |
| R3307 | 7030005120 | S.RES ERJ2GEJ 102 X (1K) | T | 60.5/41.2 |
| R3308 | 7030005040 | S.RES ERJ2GEJ 472 X (4.7K) | T | 66.9/35.9 |
| R3309 | 7030008400 | S.RES ERJ2GEJ 182 X (1.8K) | T | 63.8/41.1 |
| R3310 | 7030005090 | S.RES ERJ2GEJ 104 X (100K) | T | 51.8/37.9 |
| R3311 | 7030005090 | S.RES ERJ2GEJ 104 X (100K) | B | 54.0/24.1 |
| R3339 | 7030005040 | S.RES ERJ2GEJ 472 X (4.7K) | T | 73.5/27.9 |
| R3401 | 7030005050 | S.RES ERJ2GEJ 103 X (10K) | B | 106.0/58.8 |
| R3402 | 7030005050 | S.RES ERJ2GEJ 103 X (10K) | B | 107.6/58.8 |
| R3403 | 7030005050 | S.RES ERJ2GEJ 103 X (10K) | T | 108.9/54.6 |
| R3404 | 7030005210 | S.RES ERJ2GEJ 822 X (8.2K) | T | 107.7/56.2 |
| R3405 | 7030005050 | S.RES ERJ2GEJ 103 X (10K) | T | 109.8/54.6 |
| R3406 | 7030005210 | S.RES ERJ2GEJ 822 X (8.2K) | T | 109.6/56.2 |
| R3407 | 7030010040 | S.RES ERJ2GEJ-JPW | T | 103.3/45.0 |
| R3408 | 7030005050 | S.RES ERJ2GEJ 103 X (10K) | T | 109.3/52.3 |
| R3409 | 7030005050 | S.RES ERJ2GEJ 103 X (10K) | T | 107.7/54.8 |
| R3410 | 7030008300 | S.RES ERJ2GEJ 184 X (180K) | B | 107.6/47.9 |
| R3411 | 7030005050 | S.RES ERJ2GEJ 103 X (10K) | B | 106.0/47.9 |
| R3412 | 7030005010 | S.RES ERJ2GEJ 681 X (680) | T | 100.7/55.0 |
| R3413 | 7030004990 | S.RES ERJ2GEJ 221 X (220) | T | 97.1/46.5 |
| R3414 | 7030004980 | S.RES ERJ2GEJ 101 X (100) | T | 110.5/52.8 |
| R3421 | 7030005050 | S.RES ERJ2GEJ 103 X (10K) | T | 114.4/54.7 |
| R3422 | 7030005050 | S.RES ERJ2GEJ 103 X (10K) | T | 115.9/54.0 |
| R3423 | 7030004980 | S.RES ERJ2GEJ 101 X (100) | B | 118.6/57.5 |
| R3424 | 7030004980 | S.RES ERJ2GEJ 101 X (100) | T | 113.5/50.8 |
| R3425 | 7030005050 | S.RES ERJ2GEJ 103 X (10K) | T | 115.0/52.8 |
| R3426 | 7030005050 | S.RES ERJ2GEJ 103 X (10K) | B | 131.8/56.4 |
| R3427 | 7030004980 | S.RES ERJ2GEJ 101 X (100) | B | 133.4/57.3 |
| R3428 | 7030004980 | S.RES ERJ2GEJ 101 X (100) | T | 130.0/48.5 |
| R3431 | 7030005040 | S.RES ERJ2GEJ 472 X (4.7K) | B | 116.7/45.9 |
| R3432 | 7030005040 | S.RES ERJ2GEJ 472 X (4.7K) | B | 118.3/45.5 |
| R3433 | 7030005230 | S.RES ERJ2GEJ 334 X (330K) | B | 118.5/47.1 |
| R3434 | 7030005290 | S.RES ERJ2GEJ 682 X (6.8K) | T | 119.8/46.1 |
| R3435 | 7030005220 | S.RES ERJ2GEJ 223 X (22K) | T | 116.7/47.6 |
| R3441 | 7030008300 | S.RES ERJ2GEJ 184 X (180K) | T | 117.5/53.4 |
| R3442 | 7030005220 | S.RES ERJ2GEJ 223 X (22K) | T | 118.4/53.4 |
| R3443 | 7030005050 | S.RES ERJ2GEJ 103 X (10K) | T | 118.4/51.7 |
| R3444 | 7030005220 | S.RES ERJ2GEJ 223 X (22K) | T | 119.4/53.4 |
| R3445 | 7030007340 | S.RES ERJ2GEJ 153 X (15K) | B | 113.6/58.2 |
| R3451 | 7030005050 | S.RES ERJ2GEJ 103 X (10K) | B | 119.2/51.0 |
| R3452 | 7030005110 | S.RES ERJ2GEJ 224 X (220K) | T | 120.7/52.1 |
| R3453 | 7030005290 | S.RES ERJ2GEJ 682 X (6.8K) | T | 119.4/51.7 |
| R3454 | 7030005290 | S.RES ERJ2GEJ 682 X (6.8K) | T | 120.7/51.2 |
| R3455 | 7030005220 | S.RES ERJ2GEJ 223 X (22K) | T | 120.7/50.3 |
| R3456 | 7030005220 | S.RES ERJ2GEJ 223 X (22K) | T | 123.6/51.2 |
| R3457 | 7030005220 | S.RES ERJ2GEJ 223 X (22K) | T | 123.6/52.1 |
| R3458 | 7030005220 | S.RES ERJ2GEJ 223 X (22K) | T | 127.5/51.3 |
| R3459 | 7030005220 | S.RES ERJ2GEJ 223 X (22K) | T | 124.3/48.7 |
| R3460 | 7030005050 | S.RES ERJ2GEJ 103 X (10K) | B | 127.4/49.0 |

[MAIN UNIT]

| REF NO. | PARTS NO. | DESCRIPTION | M. | H/V LOCATION |
|---------|------------|----------------------------|----|--------------|
| R3461 | 7030005090 | S.RES ERJ2GEJ 104 X (100K) | T | 127.8/53.8 |
| R3462 | 7030008290 | S.RES ERJ2GEJ 183 X (18K) | T | 126.6/55.2 |
| R3463 | 7030007340 | S.RES ERJ2GEJ 153 X (15K) | T | 126.6/54.3 |
| R3464 | 7030005090 | S.RES ERJ2GEJ 104 X (100K) | T | 130.3/52.9 |
| R3465 | 7030005090 | S.RES ERJ2GEJ 104 X (100K) | T | 132.6/56.5 |
| R3466 | 7030007060 | S.RES ERJ2GEJ 684X (680K) | T | 132.6/55.6 |
| R3467 | 7030005110 | S.RES ERJ2GEJ 224 X (220K) | B | 136.3/49.6 |
| R3468 | 7030005090 | S.RES ERJ2GEJ 104 X (100K) | B | 135.0/49.1 |
| R3469 | 7030005090 | S.RES ERJ2GEJ 104 X (100K) | B | 136.6/53.5 |
| R3470 | 7030005090 | S.RES ERJ2GEJ 104 X (100K) | T | 133.5/46.7 |
| R3471 | 7030005090 | S.RES ERJ2GEJ 104 X (100K) | B | 136.6/54.4 |
| R3472 | 7030005100 | S.RES ERJ2GEJ 154 X (150K) | T | 135.3/56.5 |
| R3473 | 7030005090 | S.RES ERJ2GEJ 104 X (100K) | T | 136.2/56.5 |
| R3474 | 7030004980 | S.RES ERJ2GEJ 101 X (100) | T | 134.4/56.5 |
| R3475 | 7030004980 | S.RES ERJ2GEJ 101 X (100) | B | 135.6/47.3 |
| R3476 | 7030005040 | S.RES ERJ2GEJ 472 X (4.7K) | B | 142.2/58.6 |
| R3477 | 7030004980 | S.RES ERJ2GEJ 101 X (100) | T | 123.1/43.4 |
| R3478 | 7310003820 | TRI EVN-D2AA03 B14 | | |
| R3479 | 7030005050 | S.RES ERJ2GEJ 103 X (10K) | T | 137.6/51.0 |
| R3480 | 7030004980 | S.RES ERJ2GEJ 101 X (100) | B | 124.2/54.3 |
| R3481 | 7030005290 | S.RES ERJ2GEJ 682 X (6.8K) | T | 137.6/49.4 |
| R3482 | 7030004980 | S.RES ERJ2GEJ 101 X (100) | T | 138.5/46.1 |
| R3483 | 7030009290 | S.RES ERJ2GEJ 562 X (5.6K) | T | 140.1/49.7 |
| R3484 | 7030004990 | S.RES ERJ2GEJ 221 X (220) | B | 136.0/51.5 |
| R3485 | 7030009140 | S.RES ERJ2GEJ 272 X (2.7K) | T | 141.7/49.7 |
| R3486 | 7030005050 | S.RES ERJ2GEJ 103 X (10K) | T | 27.5/67.5 |
| R3490 | 7030010040 | S.RES ERJ2GEJ-JPW | B | 81.6/66.4 |
| R3491 | 7030010040 | S.RES ERJ2GEJ-JPW | B | 81.6/65.1 |
| R3492 | 7030004980 | S.RES ERJ2GEJ 101 X (100) | B | 86.9/71.0 |
| R3493 | 7030005050 | S.RES ERJ2GEJ 103 X (10K) | B | 85.9/62.1 |
| R3494 | 7030010040 | S.RES ERJ2GEJ-JPW | B | 67.2/66.9 |
| R3495 | 7030010040 | S.RES ERJ2GEJ-JPW | B | 67.2/66.0 |
| R3496 | 7030004980 | S.RES ERJ2GEJ 101 X (100) | B | 71.3/71.5 |
| R3497 | 7030005050 | S.RES ERJ2GEJ 103 X (10K) | B | 71.1/64.3 |
| R3498 | 7030010040 | S.RES ERJ2GEJ-JPW | B | 56.0/67.2 |
| R3499 | 7030010040 | S.RES ERJ2GEJ-JPW | B | 56.0/66.0 |
| R3500 | 7030004980 | S.RES ERJ2GEJ 101 X (100) | B | 60.2/71.8 |
| R3501 | 7030005050 | S.RES ERJ2GEJ 103 X (10K) | B | 60.5/63.0 |
| R3502 | 7030009290 | S.RES ERJ2GEJ 562 X (5.6K) | B | 89.2/70.9 |
| R3503 | 7030009290 | S.RES ERJ2GEJ 562 X (5.6K) | B | 73.9/70.6 |
| R3504 | 7030009290 | S.RES ERJ2GEJ 562 X (5.6K) | B | 63.5/71.8 |
| R3505 | 7030009290 | S.RES ERJ2GEJ 562 X (5.6K) | B | 110.6/20.2 |
| R3506 | 7030009290 | S.RES ERJ2GEJ 562 X (5.6K) | B | 104.7/20.2 |
| R3507 | 7030009290 | S.RES ERJ2GEJ 562 X (5.6K) | B | 98.8/20.2 |
| R3508 | 7030004980 | S.RES ERJ2GEJ 101 X (100) | B | 86.9/70.0 |
| R3509 | 7030004980 | S.RES ERJ2GEJ 101 X (100) | B | 71.3/70.6 |
| R3510 | 7030004980 | S.RES ERJ2GEJ 101 X (100) | B | 60.2/70.9 |
| R3511 | 7030004980 | S.RES ERJ2GEJ 101 X (100) | B | 115.4/21.7 |
| R3512 | 7030004980 | S.RES ERJ2GEJ 101 X (100) | B | 109.5/21.7 |
| R3513 | 7030004980 | S.RES ERJ2GEJ 101 X (100) | B | 103.6/21.7 |
| R3514 | 7030009140 | S.RES ERJ2GEJ 272 X (2.7K) | B | 89.2/70.0 |
| R3515 | 7030009140 | S.RES ERJ2GEJ 272 X (2.7K) | B | 73.9/71.5 |
| R3516 | 7030009140 | S.RES ERJ2GEJ 272 X (2.7K) | B | 63.5/70.9 |
| R3517 | 7030009140 | S.RES ERJ2GEJ 272 X (2.7K) | B | 110.6/18.6 |
| R3518 | 7030009140 | S.RES ERJ2GEJ 272 X (2.7K) | B | 104.7/18.6 |
| R3519 | 7030009140 | S.RES ERJ2GEJ 272 X (2.7K) | B | 98.8/18.6 |
| R3521 | 7030005210 | S.RES ERJ2GEJ 822 X (8.2K) | T | 118.0/42.7 |
| R3522 | 7030009290 | S.RES ERJ2GEJ 562 X (5.6K) | T | 120.5/41.5 |
| R3523 | 7030007340 | S.RES ERJ2GEJ 153 X (15K) | T | 118.7/40.4 |
| R3524 | 7030005050 | S.RES ERJ2GEJ 103 X (10K) | T | 117.5/39.9 |
| R3525 | 7030006010 | S.RES RR0510P-472-D (4.7K) | B | 121.9/37.1 |
| R3527 | 7030005050 | S.RES ERJ2GEJ 103 X (10K) | T | 117.9/38.2 |
| R3529 | 7030004990 | S.RES ERJ2GEJ 221 X (220) | T | 118.7/39.5 |
| R3530 | 7030004990 | S.RES ERJ2GEJ 221 X (220) | T | 119.3/36.9 |
| R3532 | 7030005160 | S.RES ERJ2GEJ 105 X (1M) | B | 125.3/38.1 |
| R3534 | 7030005120 | S.RES ERJ2GEJ 102 X (1K) | B | 127.9/37.2 |
| R3536 | 7030008280 | S.RES ERJ2GEJ 271 X (270) | B | 127.9/38.1 |
| R3537 | 7030004980 | S.RES ERJ2GEJ 101 X (100) | B | 115.1/35.8 |
| R3538 | 7030004980 | S.RES ERJ2GEJ 101 X (100) | B | 121.7/42.9 |
| R3539 | 7030005210 | S.RES ERJ2GEJ 822 X (8.2K) | T | 117.8/32.6 |
| R3540 | 7030009290 | S.RES ERJ2GEJ 562 X (5.6K) | T | 120.6/31.4 |
| R3541 | 7030007340 | S.RES ERJ2GEJ 153 X (15K) | T | 118.7/30.3 |

[MAIN UNIT]

| REF NO. | PARTS NO. | DESCRIPTION | M. | H/V LOCATION |
|---------|------------|-----------------------------|----|--------------|
| R3639 | 7030005050 | S.RES ERJ2GEJ 103 X (10K) | T | 73.5/29.2 |
| R3641 | 7030005030 | S.RES ERJ2GEJ 152 X (1.5K) | T | 80.6/39.6 |
| R3651 | 7030003420 | S.RES ERJ3GEYJ 681 V (680) | B | 83.7/48.8 |
| R3652 | 7030003860 | S.RES ERJ3GE JPW V | B | 82.1/45.7 |
| R3653 | 7030005050 | S.RES ERJ2GEJ 103 X (10K) | T | 82.3/46.2 |
| R3654 | 7030005070 | S.RES ERJ2GEJ 683 X (68K) | T | 81.0/43.1 |
| R3655 | 7030005050 | S.RES ERJ2GEJ 103 X (10K) | T | 81.2/48.2 |
| R3656 | 7030004990 | S.RES ERJ2GEJ 221 X (220) | T | 84.1/44.6 |
| R3658 | 7030005590 | S.RES ERJ2GEJ 680 X (68) | T | 84.1/46.7 |
| R3661 | 7030003860 | S.RES ERJ3GE JPW V | B | 80.6/53.3 |
| R3662 | 7030003430 | S.RES ERJ3GEYJ 821 V (820) | B | 81.2/57.4 |
| R3663 | 7030004030 | S.RES ERJ3GEYJ 5R6 V (5.6) | B | 78.1/57.4 |
| R3664 | 7030003430 | S.RES ERJ3GEYJ 821 V (820) | B | 77.4/58.7 |
| R3671 | 7030009270 | S.RES ERJ2GEJ 821 X (820) | T | 89.2/49.1 |
| R3672 | 7030011400 | S.RES ERJ2GEJ 5R6 X (5.6) | T | 90.4/49.5 |
| R3673 | 7030009270 | S.RES ERJ2GEJ 821 X (820) | T | 89.2/50.0 |
| R3674 | 7030009270 | S.RES ERJ2GEJ 821 X (820) | B | 71.8/60.2 |
| R3675 | 7030011400 | S.RES ERJ2GEJ 5R6 X (5.6) | B | 71.3/59.0 |
| R3676 | 7030009270 | S.RES ERJ2GEJ 821 X (820) | B | 70.9/60.2 |
| R3677 | 7030003420 | S.RES ERJ3GEYJ 681 V (680) | B | 67.7/57.7 |
| R3678 | 7030007280 | S.RES ERJ2GEJ 331 X (330) | T | 97.7/51.6 |
| R3679 | 7030005300 | S.RES ERJ2GEJ 150 X (15) | T | 97.3/50.4 |
| R3680 | 7030007280 | S.RES ERJ2GEJ 331 X (330) | T | 97.7/49.2 |
| R3681 | 7030005050 | S.RES ERJ2GEJ 103 X (10K) | T | 57.4/50.3 |
| R3682 | 7030004970 | S.RES ERJ2GEJ 470 X (47) | T | 67.0/49.7 |
| R3691 | 7030005050 | S.RES ERJ2GEJ 103 X (10K) | T | 57.4/56.8 |
| R3692 | 7030004970 | S.RES ERJ2GEJ 470 X (47) | T | 67.0/56.2 |
| R3702 | 7030005010 | S.RES ERJ2GEJ 681 X (680) | T | 52.6/58.5 |
| R3703 | 7030005090 | S.RES ERJ2GEJ 104 X (100K) | T | 53.5/58.5 |
| R3705 | 7030005010 | S.RES ERJ2GEJ 681 X (680) | T | 54.6/53.1 |
| R3706 | 7030005090 | S.RES ERJ2GEJ 104 X (100K) | T | 55.0/51.9 |
| R3708 | 7030005010 | S.RES ERJ2GEJ 681 X (680) | T | 55.3/58.5 |
| R3709 | 7030005090 | S.RES ERJ2GEJ 104 X (100K) | T | 54.4/58.5 |
| R3801 | 7030003320 | S.RES ERJ3GEYJ 101 V (100) | B | 88.0/41.3 |
| R3802 | 7030003500 | S.RES ERJ3GEYJ 332 V (3.3K) | B | 89.6/41.3 |
| R3803 | 7030003560 | S.RES ERJ3GEYJ 103 V (10K) | B | 95.4/44.7 |
| R3804 | 7030003500 | S.RES ERJ3GEYJ 332 V (3.3K) | B | 91.2/41.3 |
| R3805 | 7030003500 | S.RES ERJ3GEYJ 332 V (3.3K) | B | 92.8/41.3 |
| R3901 | 7030004980 | S.RES ERJ2GEJ 101 X (100) | T | 206.5/72.5 |
| R3902 | 7030005160 | S.RES ERJ2GEJ 105 X (1M) | T | 206.1/67.7 |
| R3903 | 7030007290 | S.RES ERJ2GEJ 222 X (2.2K) | T | 206.5/72.5 |
| R3904 | 7030004980 | S.RES ERJ2GEJ 101 X (100) | T | 209.3/72.8 |
| R3911 | 7030005590 | S.RES ERJ2GEJ 680 X (68) | T | 203.2/60.2 |
| R3937 | 7030005240 | S.RES ERJ2GEJ 473 X (47K) | B | 199.1/53.7 |
| R3938 | 7030005240 | S.RES ERJ2GEJ 473 X (47K) | B | 202.5/56.8 |
| R3939 | 7030004980 | S.RES ERJ2GEJ 101 X (100) | B | 199.1/55.3 |
| R3940 | 7030004980 | S.RES ERJ2GEJ 101 X (100) | B | 201.6/56.8 |
| R3951 | 7030005240 | S.RES ERJ2GEJ 473 X (47K) | B | 248.5/47.3 |
| R3952 | 7030005240 | S.RES ERJ2GEJ 473 X (47K) | B | 244.7/45.9 |
| R3953 | 7030005240 | S.RES ERJ2GEJ 473 X (47K) | B | 248.5/44.1 |
| R4001 | 7030010040 | S.RES ERJ2GEJ-JPW | T | 216.3/29.0 |
| R4002 | 7030010040 | S.RES ERJ2GEJ-JPW | T | 215.1/29.4 |
| R4005 | 7030005240 | S.RES ERJ2GEJ 473 X (47K) | T | 217.8/28.5 |
| R4006 | 7030003860 | S.RES ERJ3GE JPW V | T | 200.6/52.4 |
| R4008 | 7030008240 | S.RES ERJ12Y0R00U | T | 266.6/43.0 |
| R4009 | 7030010040 | S.RES ERJ2GEJ-JPW | T | 231.7/65.1 |
| R4010 | 7030008240 | S.RES ERJ12Y0R00U | T | 267.3/69.7 |
| R4011 | 7030010250 | S.RES ERJ1TYJ 0R00U | T | 203.5/24.9 |
| R4012 | 7030003860 | S.RES ERJ3GE JPW V | B | 198.9/39.9 |
| R4013 | 7030003860 | S.RES ERJ3GE JPW V | B | 201.0/38.3 |
| R4014 | 7030005040 | S.RES ERJ2GEJ 472 X (4.7K) | T | 189.5/32.7 |
| R4015 | 7030005040 | S.RES ERJ2GEJ 472 X (4.7K) | T | 183.8/33.9 |
| R4036 | 7030003860 | S.RES ERJ3GE JPW V | T | 198.7/60.3 |
| R4301 | 7030003860 | S.RES ERJ3GE JPW V | T | 167.6/43.7 |
| R4302 | 7030003860 | S.RES ERJ3GE JPW V | T | 158.2/53.9 |
| R4303 | 7030005090 | S.RES ERJ2GEJ 104 X (100K) | T | 205.7/45.0 |
| R4401 | 7030004980 | S.RES ERJ2GEJ 101 X (100) | T | 154.0/25.1 |
| R4402 | 7030004980 | S.RES ERJ2GEJ 101 X (100) | T | 142.5/23.9 |
| R4403 | 7030004980 | S.RES ERJ2GEJ 101 X (100) | T | 143.4/13.8 |
| R4404 | 7030004980 | S.RES ERJ2GEJ 101 X (100) | T | 150.5/19.6 |
| R4405 | 7030004980 | S.RES ERJ2GEJ 101 X (100) | T | 169.0/15.5 |
| R4406 | 7030004980 | S.RES ERJ2GEJ 101 X (100) | T | 155.2/17.1 |
| R4407 | 7030004980 | S.RES ERJ2GEJ 101 X (100) | T | 172.3/24.5 |
| R4408 | 7030004980 | S.RES ERJ2GEJ 101 X (100) | T | 172.3/26.1 |
| R4409 | 7030004980 | S.RES ERJ2GEJ 101 X (100) | T | 182.8/36.0 |
| R4410 | 7030004980 | S.RES ERJ2GEJ 101 X (100) | T | 182.8/37.6 |
| R4415 | 7030005820 | S.RES RR0510P-103-D (10K) | T | 181.0/31.5 |
| R4416 | 7030005090 | S.RES ERJ2GEJ 104 X (100K) | T | 170.3/30.4 |
| R4417 | 7030005820 | S.RES RR0510P-103-D (10K) | T | 153.5/14.7 |
| R4418 | 7030005820 | S.RES RR0510P-103-D (10K) | T | 165.6/10.4 |
| R4419 | 7030005820 | S.RES RR0510P-103-D (10K) | T | 181.0/32.7 |
| R4420 | 7030005090 | S.RES ERJ2GEJ 104 X (100K) | T | 171.2/30.4 |
| R4421 | 7030005820 | S.RES RR0510P-103-D (10K) | T | 165.6/11.6 |
| R4422 | 7030005820 | S.RES RR0510P-103-D (10K) | T | 153.3/16.3 |
| R4423 | 7030005090 | S.RES ERJ2GEJ 104 X (100K) | T | 143.4/15.9 |
| R4424 | 7030006010 | S.RES RR0510P-472-D (4.7K) | T | 151.0/12.9 |
| R4425 | 7030005820 | S.RES RR0510P-103-D (10K) | T | 175.5/40.7 |
| R4426 | 7030005820 | S.RES RR0510P-103-D (10K) | T | 173.6/30.6 |
| R4427 | 7030005820 | S.RES RR0510P-103-D (10K) | T | 166.0/15.7 |
| R4429 | 7030005090 | S.RES ERJ2GEJ 104 X (100K) | T | 166.0/20.7 |
| R4430 | 7030005090 | S.RES ERJ2GEJ 104 X (100K) | T | 166.9/30.4 |
| R4432 | 7030005820 | S.RES RR0510P-103-D (10K) | T | 146.6/21.3 |
| R4433 | 7030005820 | S.RES RR0510P-103-D (10K) | T | 151.2/21.3 |
| R4434 | 7030008250 | S.RES RR0510P-562-D (5.6K) | T | 164.4/19.3 |
| R4435 | 7030005820 | S.RES RR0510P-103-D (10K) | T | 158.9/10.2 |
| R4436 | 7030005770 | S.RES RR0510P-101-D (100) | T | 164.4/18.4 |
| R4437 | 7030006010 | S.RES RR0510P-472-D (4.7K) | T | 174.1/39.8 |
| R4438 | 7030006010 | S.RES RR0510P-472-D (4.7K) | T | 174.0/31.6 |
| R4439 | 7030005240 | S.RES ERJ2GEJ 473 X (47K) | T | 165.5/21.6 |
| R4440 | 7030005770 | S.RES RR0510P-101-D (100) | T | 174.1/38.9 |
| R4441 | 7030005240 | S.RES ERJ2GEJ 473 X (47K) | T | 165.5/30.0 |
| R4442 | 7030005770 | S.RES RR0510P-101-D (100) | T | 174.5/32.5 |
| R4443 | 7030005770 | S.RES RR0510P-101-D (100) | T | 165.5/22.5 |
| R4444 | 7030005770 | S.RES RR0510P-101-D (100) | T | 165.5/29.1 |
| R4445 | 7030006010 | S.RES RR0510P-472-D (4.7K) | T | 149.9/29.0 |

[MAIN UNIT]

| REF NO. | PARTS NO. | DESCRIPTION | M. | H/V LOCATION |
|---------|------------|----------------------------|----|--------------|
| R4446 | 7030008250 | S.RES RR0510P-562-D (5.6K) | T | 157.9/19.2 |
| R4447 | 7030006010 | S.RES RR0510P-472-D (4.7K) | T | 147.9/29.0 |
| R4448 | 7030005770 | S.RES RR0510P-101-D (100) | T | 146.7/29.3 |
| R4449 | 7030005770 | S.RES RR0510P-101-D (100) | T | 151.1/29.3 |
| R4450 | 7030005770 | S.RES RR0510P-101-D (100) | T | 157.9/18.3 |
| R4461 | 7030010040 | S.RES ERJ2GEJ-JPW | T | 168.1/36.1 |
| R4462 | 7030004980 | S.RES ERJ2GEJ 101 X (100) | T | 167.7/41.4 |
| R4463 | 7030007250 | S.RES ERJ2GEJ 220 X (22) | T | 162.5/46.6 |
| R4464 | 7030007250 | S.RES ERJ2GEJ 220 X (22) | T | 161.6/46.6 |
| R4465 | 7030005090 | S.RES ERJ2GEJ 104 X (100K) | T | 153.5/42.3 |
| R4467 | 7030005050 | S.RES ERJ2GEJ 103 X (10K) | T | 164.0/46.6 |
| R4468 | 7030003860 | S.RES ERJ3GE JPW V | B | 156.3/45.1 |
| R4469 | 7030008240 | S.RES ERJ12Y0R00U | T | 161.6/54.7 |
| R4470 | 7030007250 | S.RES ERJ2GEJ 220 X (22) | T | 163.7/50.4 |
| R4471 | 7030007250 | S.RES ERJ2GEJ 220 X (22) | T | 162.8/50.0 |
| R4474 | 7030007250 | S.RES ERJ2GEJ 220 X (22) | T | 159.5/48.5 |
| R4475 | 7030007250 | S.RES ERJ2GEJ 220 X (22) | T | 160.0/46.6 |
| R4481 | 7030006010 | S.RES RR0510P-472-D (4.7K) | T | 165.6/47.8 |
| R4482 | 7030006010 | S.RES RR0510P-472-D (4.7K) | T | 164.6/50.0 |
| R4483 | 7030006010 | S.RES RR0510P-472-D (4.7K) | T | 172.1/39.5 |
| R4484 | 7030006010 | S.RES RR0510P-472-D (4.7K) | T | 170.1/40.5 |
| R4485 | 7030006010 | S.RES RR0510P-472-D (4.7K) | T | 166.2/52.0 |
| R4486 | 7030005210 | S.RES ERJ2GEJ 822 X (8.2K) | T | 151.3/34.6 |
| R4487 | 7030005210 | S.RES ERJ2GEJ 822 X (8.2K) | T | 150.2/36.9 |
| R4488 | 7030006010 | S.RES RR0510P-472-D (4.7K) | T | 170.5/43.2 |
| R4489 | 7030006010 | S.RES RR0510P-472-D (4.7K) | T | 156.4/55.3 |
| R4490 | 7030006010 | S.RES RR0510P-472-D (4.7K) | T | 156.4/54.4 |
| R4491 | 7030005780 | S.RES RR0510P-221-D (220) | T | 168.2/49.6 |
| R4492 | 7030005780 | S.RES RR0510P-221-D (220) | T | 168.2/50.7 |
| R4493 | 7030005780 | S.RES RR0510P-221-D (220) | T | 172.3/43.2 |
| R4494 | 7030005780 | S.RES RR0510P-221-D (220) | T | 171.4/43.2 |
| R4495 | 7030006010 | S.RES RR0510P-472-D (4.7K) | T | 152.4/39.0 |
| R4496 | 7030006010 | S.RES RR0510P-472-D (4.7K) | T | 152.4/39.9 |
| R4497 | 7030006290 | S.RES RR0510P-333-D (33K) | T | 149.2/37.3 |
| R4498 | 7030006010 | S.RES RR0510P-472-D (4.7K) | T | 156.4/53.5 |
| R4499 | 7030009290 | S.RES ERJ2GEJ 562 X (5.6K) | T | 149.2/35.7 |
| R4500 | 7030006010 | S.RES RR0510P-472-D (4.7K) | T | 168.2/48.7 |
| R4501 | 7030006010 | S.RES RR0510P-472-D (4.7K) | T | 173.2/43.2 |
| R4502 | 7030009290 | S.RES ERJ2GEJ 562 X (5.6K) | T | 149.2/34.1 |
| R4503 | 7030006010 | S.RES RR0510P-472-D (4.7K) | T | 152.0/42.6 |
| R4504 | 7030005780 | S.RES RR0510P-221-D (220) | T | 152.7/54.7 |
| R4505 | 7030005780 | S.RES RR0510P-221-D (220) | T | 152.7/53.1 |
| R4506 | 7030005780 | S.RES RR0510P-221-D (220) | T | 150.2/42.6 |
| R4507 | 7030005780 | S.RES RR0510P-221-D (220) | T | 151.1/42.6 |
| R4508 | 7030005770 | S.RES RR0510P-101-D (100) | T | 168.2/47.8 |
| R4509 | 7030006010 | S.RES RR0510P-472-D (4.7K) | T | 151.3/54.3 |
| R4510 | 7030005770 | S.RES RR0510P-101-D (100) | T | 175.1/43.8 |
| R4511 | 7030006290 | S.RES RR0510P-333-D (33K) | T | 149.2/32.5 |
| R4512 | 7030006010 | S.RES RR0510P-472-D (4.7K) | T | 149.3/42.6 |
| R4513 | 7030005770 | S.RES RR0510P-101-D (100) | T | 149.7/54.6 |
| R4514 | 7030004980 | S.RES ERJ2GEJ 101 X (100) | T | 147.7/31.7 |
| R4515 | 7030005770 | S.RES RR0510P-101-D (100) | T | 148.1/42.9 |
| R4516 | 7030004980 | S.RES ERJ2GEJ 101 X (100) | T | 176.6/47.4 |
| R4517 | 7030004980 | S.RES ERJ2GEJ 101 X (100) | T | 170.6/53.7 |
| R4518 | 7030004980 | S.RES ERJ2GEJ 101 X (100) | T | 139.9/31.3 |
| R4519 | 7030004980 | S.RES ERJ2GEJ 101 X (100) | T | 146.6/38.5 |
| R4520 | 7030004980 | S.RES ERJ2GEJ 101 X (100) | T | 146.7/51.8 |
| R4521 | 7030004980 | S.RES ERJ2GEJ 101 X (100) | T | 154.0/45.5 |
| R4522 | 7030007300 | S.RES ERJ2GEJ 332 X (3.3K) | T | 154.8/52.3 |
| R4523 | 7030005120 | S.RES ERJ2GEJ 102 X (1K) | T | 155.7/52.3 |
| R4601 | 7030004980 | S.RES ERJ2GEJ 101 X (100) | B | 160.6/74.0 |
| R4602 | 7030004980 | S.RES ERJ2GEJ 101 X (100) | B | 158.9/64.3 |
| R4603 | 7030004980 | S.RES ERJ2GEJ 101 X (100) | B | 155.6/53.5 |
| R4604 | 7030004980 | S.RES ERJ2GEJ 101 X (100) | B | 162.9/61.0 |
| R4605 | 7030004980 | S.RES ERJ2GEJ 101 X (100) | B | 170.4/67.5 |
| R4606 | 7030004980 | S.RES ERJ2GEJ 101 X (100) | B | 169.1/57.8 |
| R4607 | 7030008400 | S.RES ERJ2GEJ 182 X (1.8K) | B | 153.5/53.9 |
| R4608 | 7030005000 | S.RES ERJ2GEJ 471 X (470) | B | 156.2/61.0 |
| R4609 | 7030005240 | S.RES ERJ2GEJ 473 X (47K) | B | 152.5/62.4 |
| R4610 | 7030010990 | S.RES RR0510P-272-D (2.7K) | B | 156.0/58.2 |
| R4611 | 7030010990 | S.RES RR0510P-272-D (2.7K) | B | 156.0/59.8 |
| R4612 | 7 | | | |

[MAIN UNIT]

| REF NO. | PARTS NO. | DESCRIPTION | M. | H/V LOCATION |
|---------|------------|----------------------------|----|--------------|
| R4667 | 7030005050 | S.RES ERJ2GEJ 103 X (10K) | B | 182.8/54.8 |
| R4668 | 7030005050 | S.RES ERJ2GEJ 103 X (10K) | B | 182.8/55.7 |
| R4669 | 7030007300 | S.RES ERJ2GEJ 332 X (3.3K) | B | 182.8/56.6 |
| R4670 | 7030009190 | S.RES RR0510P-332-D (3.3K) | B | 183.1/52.1 |
| R4671 | 7030007280 | S.RES ERJ2GEJ 331 X (330) | B | 180.1/55.7 |
| R4672 | 7030007280 | S.RES ERJ2GEJ 331 X (330) | B | 180.1/56.6 |
| R4673 | 7030011170 | S.RES RR0510P-471-D (470) | B | 180.2/52.2 |
| R4674 | 7030011170 | S.RES RR0510P-471-D (470) | B | 180.2/51.2 |
| R4675 | 7030009190 | S.RES RR0510P-332-D (3.3K) | B | 180.2/50.2 |
| R4676 | 7030008410 | S.RES ERJ2GEJ 392 X (3.9K) | B | 180.1/54.8 |
| R4677 | 7030005770 | S.RES RR0510P-101-D (100) | B | 177.3/50.3 |
| R4678 | 7030004980 | S.RES ERJ2GEJ 101 X (100) | B | 172.2/58.3 |
| R4680 | 7030003200 | S.RES ERJ3GEJ 100 V (10) | B | 198.4/70.8 |
| R5001 | 7030010040 | S.RES ERJ2GEJ-JPW | B | 206.1/50.5 |
| R5002 | 7030010040 | S.RES ERJ2GEJ-JPW | B | 206.1/48.9 |
| R5005 | 7030005240 | S.RES ERJ2GEJ 473 X (47K) | B | 205.7/51.7 |
| R5007 | 7030004970 | S.RES ERJ2GEJ 470 X (47) | B | 229.8/38.9 |
| R5009 | 7030010040 | S.RES ERJ2GEJ-JPW | B | 194.8/68.3 |
| R5010 | 7030003860 | S.RES ERJ3GEJ JPW V | B | 198.4/42.0 |
| R5012 | 7030003860 | S.RES ERJ3GE JPW V | B | 198.5/64.8 |
| R5013 | 7030003860 | S.RES ERJ3GE JPW V | B | 198.6/60.3 |
| R5014 | 7030005040 | S.RES ERJ2GEJ 472 X (4.7K) | T | 190.0/69.8 |
| R5015 | 7030005040 | S.RES ERJ2GEJ 472 X (4.7K) | T | 196.3/70.0 |
| R5030 | 7030007290 | S.RES ERJ2GEJ 222 X (2.2K) | B | 206.1/57.3 |
| R5201 | 7030005050 | S.RES ERJ2GEJ 103 X (10K) | B | 256.0/59.1 |
| R5202 | 7030005050 | S.RES ERJ2GEJ 103 X (10K) | B | 241.0/57.9 |
| R5303 | 7030005090 | S.RES ERJ2GEJ 104 X (100K) | B | 198.1/47.6 |
| R5401 | 7030004980 | S.RES ERJ2GEJ 101 X (100) | B | 166.0/51.8 |
| R5402 | 7030004980 | S.RES ERJ2GEJ 101 X (100) | B | 163.6/40.8 |
| R5403 | 7030004980 | S.RES ERJ2GEJ 101 X (100) | B | 158.4/31.7 |
| R5404 | 7030004980 | S.RES ERJ2GEJ 101 X (100) | B | 165.8/39.3 |
| R5405 | 7030004980 | S.RES ERJ2GEJ 101 X (100) | B | 177.5/48.8 |
| R5406 | 7030004980 | S.RES ERJ2GEJ 101 X (100) | B | 171.9/37.9 |
| R5407 | 7030008400 | S.RES ERJ2GEJ 182 X (1.8K) | B | 156.0/32.5 |
| R5408 | 7030005000 | S.RES ERJ2GEJ 471 X (470) | B | 159.1/39.7 |
| R5409 | 7030005240 | S.RES ERJ2GEJ 473 X (47K) | B | 155.4/40.3 |
| R5410 | 7030010990 | S.RES RR0510P-272-D (2.7K) | B | 158.9/36.9 |
| R5411 | 7030005820 | S.RES RR0510P-103-D (10K) | B | 171.2/17.4 |
| R5412 | 7030008250 | S.RES RR0510P-562-D (5.6K) | B | 159.2/49.0 |
| R5413 | 7030004980 | S.RES ERJ2GEJ 101 X (100) | B | 171.2/18.3 |
| R5414 | 7030004980 | S.RES ERJ2GEJ 101 X (100) | B | 170.9/20.0 |
| R5415 | 7030010990 | S.RES RR0510P-272-D (2.7K) | B | 158.9/38.5 |
| R5416 | 7030008270 | S.RES RR0510P-104-D (100K) | B | 167.3/48.1 |
| R5417 | 7030005820 | S.RES RR0510P-103-D (10K) | B | 174.2/14.4 |
| R5418 | 7030006010 | S.RES RR0510P-472-D (4.7K) | B | 159.6/47.7 |
| R5419 | 7030010990 | S.RES RR0510P-272-D (2.7K) | B | 176.0/48.8 |
| R5420 | 7030006010 | S.RES RR0510P-472-D (4.7K) | B | 172.2/43.0 |
| R5421 | 7030010990 | S.RES RR0510P-272-D (2.7K) | B | 177.0/39.5 |
| R5422 | 7030005501 | S.RES ERA3YKD 124V (120K) | B | 170.5/48.9 |
| R5423 | 7030006010 | S.RES RR0510P-472-D (4.7K) | B | 159.6/44.3 |
| R5424 | 7030006010 | S.RES RR0510P-472-D (4.7K) | B | 171.7/22.7 |
| R5425 | 7030007280 | S.RES ERJ2GEJ 331 X (330) | B | 170.8/49.9 |
| R5426 | 7030006010 | S.RES RR0510P-472-D (4.7K) | B | 172.2/41.4 |
| R5427 | 7030006010 | S.RES RR0510P-472-D (4.7K) | B | 159.6/46.0 |
| R5428 | 7030005820 | S.RES RR0510P-103-D (10K) | B | 178.1/23.7 |
| R5429 | 7030005820 | S.RES RR0510P-103-D (10K) | B | 178.1/14.4 |
| R5430 | 7030010990 | S.RES RR0510P-272-D (2.7K) | B | 181.1/44.9 |
| R5431 | 7030010990 | S.RES RR0510P-272-D (2.7K) | B | 181.1/42.6 |
| R5432 | 7030006010 | S.RES RR0510P-472-D (4.7K) | B | 173.3/22.7 |
| R5433 | 7030005050 | S.RES ERJ2GEJ 103 X (10K) | B | 168.5/44.6 |
| R5434 | 7030005770 | S.RES RR0510P-101-D (100) | B | 180.7/46.1 |
| R5435 | 7030005770 | S.RES RR0510P-101-D (100) | B | 180.7/41.4 |
| R5436 | 7030004980 | S.RES ERJ2GEJ 101 X (100) | B | 167.9/43.4 |
| R5437 | 7030006010 | S.RES RR0510P-472-D (4.7K) | B | 181.2/21.1 |
| R5438 | 7030006010 | S.RES RR0510P-472-D (4.7K) | B | 181.2/17.6 |
| R5439 | 7030005770 | S.RES RR0510P-101-D (100) | B | 181.2/22.0 |
| R5440 | 7030005770 | S.RES RR0510P-101-D (100) | B | 181.2/16.7 |
| R5441 | 7030005090 | S.RES ERJ2GEJ 104 X (100K) | B | 165.4/33.2 |
| R5442 | 7030005800 | S.RES RR0510P-102-D (1K) | B | 162.3/40.0 |
| R5451 | 7030004970 | S.RES ERJ2GEJ 470 X (47) | B | 189.5/50.5 |
| R5452 | 7030004970 | S.RES ERJ2GEJ 470 X (47) | B | 190.9/28.3 |
| R5453 | 7030010040 | S.RES ERJ2GEJ-JPW | B | 189.7/39.5 |
| R5454 | 7030010040 | S.RES ERJ2GEJ-JPW | B | 188.4/16.1 |
| R5455 | 7030005240 | S.RES ERJ2GEJ 473 X (47K) | B | 191.1/16.1 |
| R5456 | 7030005240 | S.RES ERJ2GEJ 473 X (47K) | B | 192.9/15.6 |
| R5457 | 7030005240 | S.RES ERJ2GEJ 473 X (47K) | B | 192.0/16.1 |
| R5458 | 7030005240 | S.RES ERJ2GEJ 473 X (47K) | B | 191.5/39.5 |
| R5459 | 7030005240 | S.RES ERJ2GEJ 473 X (47K) | B | 190.2/16.1 |
| R5460 | 7030004980 | S.RES ERJ2GEJ 101 X (100) | B | 190.6/39.5 |
| R5461 | 7030004980 | S.RES ERJ2GEJ 101 X (100) | B | 189.3/16.1 |
| R5462 | 7030004970 | S.RES ERJ2GEJ 470 X (47) | B | 190.4/50.5 |
| R5463 | 7030004970 | S.RES ERJ2GEJ 470 X (47) | B | 191.3/50.5 |
| R5464 | 7030004970 | S.RES ERJ2GEJ 470 X (47) | B | 193.0/50.2 |
| R5465 | 7030004970 | S.RES ERJ2GEJ 470 X (47) | B | 194.6/49.8 |
| R5466 | 7030004970 | S.RES ERJ2GEJ 470 X (47) | B | 191.8/27.9 |
| R5467 | 7030004970 | S.RES ERJ2GEJ 470 X (47) | B | 192.7/27.9 |
| R5468 | 7030004970 | S.RES ERJ2GEJ 470 X (47) | B | 193.6/27.9 |
| R5469 | 7030004970 | S.RES ERJ2GEJ 470 X (47) | B | 194.6/27.9 |
| R5470 | 7030005240 | S.RES ERJ2GEJ 473 X (47K) | B | 183.5/44.2 |
| R5481 | 7030005030 | S.RES ERJ2GEJ 152 X (1.5K) | B | 167.8/22.3 |
| R5482 | 7030005010 | S.RES ERJ2GEJ 681 X (680) | B | 166.2/22.3 |
| R5483 | 7030004980 | S.RES ERJ2GEJ 101 X (100) | B | 164.0/29.7 |
| R5484 | 7030004980 | S.RES ERJ2GEJ 101 X (100) | B | 171.0/37.9 |
| R5485 | 7030007300 | S.RES ERJ2GEJ 332 X (3.3K) | B | 167.1/20.2 |
| R5486 | 7030006010 | S.RES RR0510P-472-D (4.7K) | B | 176.9/27.9 |
| R5487 | 7030006010 | S.RES RR0510P-472-D (4.7K) | B | 177.2/31.9 |
| R5488 | 7030006010 | S.RES RR0510P-472-D (4.7K) | B | 161.4/11.5 |
| R5489 | 7030006010 | S.RES RR0510P-472-D (4.7K) | B | 163.4/13.5 |
| R5490 | 7030006010 | S.RES RR0510P-472-D (4.7K) | B | 177.2/33.6 |
| R5491 | 7030006010 | S.RES RR0510P-472-D (4.7K) | B | 177.2/35.3 |
| R5492 | 7030006010 | S.RES RR0510P-472-D (4.7K) | B | 174.4/28.4 |
| R5493 | 7030005050 | S.RES ERJ2GEJ 103 X (10K) | B | 167.1/18.4 |
| R5494 | 7030005050 | S.RES ERJ2GEJ 103 X (10K) | B | 167.1/19.3 |
| R5495 | 7030006010 | S.RES RR0510P-472-D (4.7K) | B | 163.0/14.8 |
| R5496 | 7030006010 | S.RES RR0510P-472-D (4.7K) | B | 174.4/34.5 |

[MAIN UNIT]

| REF NO. | PARTS NO. | DESCRIPTION | M. | H/V LOCATION |
|---------|------------|----------------------------|----|--------------|
| R5497 | 7030005780 | S.RES RR0510P-221-D (220) | B | 173.5/28.4 |
| R5498 | 7030005780 | S.RES RR0510P-221-D (220) | B | 174.0/29.7 |
| R5499 | 7030005780 | S.RES RR0510P-221-D (220) | B | 174.0/32.4 |
| R5500 | 7030005780 | S.RES RR0510P-221-D (220) | B | 174.0/33.3 |
| R5501 | 7030005780 | S.RES RR0510P-221-D (220) | B | 160.0/11.9 |
| R5502 | 7030005780 | S.RES RR0510P-221-D (220) | B | 161.4/14.8 |
| R5503 | 7030007280 | S.RES ERJ2GEJ 331 X (330) | B | 164.4/19.3 |
| R5504 | 7030007280 | S.RES ERJ2GEJ 331 X (330) | B | 164.4/20.2 |
| R5505 | 7030006010 | S.RES RR0510P-472-D (4.7K) | B | 174.0/30.6 |
| R5506 | 7030006010 | S.RES RR0510P-472-D (4.7K) | B | 174.0/31.5 |
| R5507 | 7030004980 | S.RES ERJ2GEJ 101 X (100) | B | 155.1/16.0 |
| R5508 | 7030004980 | S.RES ERJ2GEJ 101 X (100) | B | 162.0/24.2 |
| R5509 | 7030006010 | S.RES RR0510P-472-D (4.7K) | B | 159.1/11.9 |
| R5510 | 7030008410 | S.RES ERJ2GEJ 392 X (3.9K) | B | 164.4/18.4 |
| R5511 | 7030005770 | S.RES RR0510P-101-D (100) | B | 168.0/26.8 |
| R5512 | 7030005770 | S.RES RR0510P-101-D (100) | B | 167.5/36.3 |
| R5513 | 7030005770 | S.RES RR0510P-101-D (100) | B | 158.2/13.3 |
| R5514 | 7030004980 | S.RES ERJ2GEJ 101 X (100) | B | 157.7/23.8 |
| R5515 | 7030005120 | S.RES ERJ2GEJ 102 X (1K) | B | 173.5/36.1 |
| R5516 | 7030007300 | S.RES ERJ2GEJ 332 X (3.3K) | B | 173.5/34.5 |
| R5520 | 7030005530 | S.RES ERJ2GEJ 100 X (10) | B | 198.2/52.3 |
| R6001 | 7030004980 | S.RES ERJ2GEJ 101 X (100) | B | 131.4/14.9 |
| R6002 | 7030007300 | S.RES ERJ2GEJ 332 X (3.3K) | B | 125.5/17.0 |
| R6003 | 7030007290 | S.RES ERJ2GEJ 222 X (2.2K) | B | 126.4/17.0 |
| R6004 | 7030004980 | S.RES ERJ2GEJ 101 X (100) | B | 131.4/11.4 |
| R6005 | 7030007300 | S.RES ERJ2GEJ 332 X (3.3K) | B | 125.5/13.6 |
| R6006 | 7030007290 | S.RES ERJ2GEJ 222 X (2.2K) | B | 126.4/13.6 |
| R6011 | 7030005090 | S.RES ERJ2GEJ 104 X (100K) | B | 116.8/7.3 |
| C1 | 4030017460 | S.CER C1005 JB 1H 102K-T | T | 231.3/66.8 |
| C2 | 4030017400 | S.CER C1005 CH 1H 220J-T | T | 229.7/66.8 |
| C3 | 4030017460 | S.CER C1005 JB 1H 102K-T | T | 227.3/66.8 |
| C4 | 4030017460 | S.CER C1005 JB 1H 102K-T | T | 225.7/66.8 |
| C5 | 4030017460 | S.CER C1005 JB 1H 102K-T | T | 224.1/66.8 |
| C6 | 4030017460 | S.CER C1005 JB 1H 102K-T | T | 222.5/66.8 |
| C7 | 4030017400 | S.CER C1005 CH 1H 220J-T | T | 220.9/66.8 |
| C9 | 4030017400 | S.CER C1005 CH 1H 220J-T | T | 217.7/66.8 |
| C10 | 4030017400 | S.CER C1005 CH 1H 220J-T | T | 219.3/66.8 |
| C11 | 4030017400 | S.CER C1005 CH 1H 220J-T | T | 215.0/66.8 |
| C12 | 4030017400 | S.CER C1005 CH 1H 220J-T | T | 213.4/66.8 |
| C21 | 4030017460 | S.CER C1005 JB 1H 102K-T | T | 256.2/66.0 |
| C22 | 4030017460 | S.CER C1005 JB 1H 102K-T | T | 257.2/66.0 |
| C23 | 4030017460 | S.CER C1005 JB 1H 102K-T | T | 255.2/66.0 |
| C24 | 4030017460 | S.CER C1005 JB 1H 102K-T | T | 250.6/66.0 |
| C25 | 4030017460 | S.CER C1005 JB 1H 102K-T | T | 249.7/66.0 |
| C26 | 4030017460 | S.CER C1005 JB 1H 102K-T | T | 245.2/66.0 |
| C27 | 4030017460 | S.CER C1005 JB 1H 102K-T | T | 244.1/66.0 |
| C28 | 4030017460 | S.CER C1005 JB 1H 102K-T | T | 241.2/66.1 |
| C31 | 4030017460 | S.CER C1005 JB 1H 102K-T | B | 84.3/7.5 |
| C32 | 4030017400 | S.CER C1005 CH 1H 220J-T | B | 83.3/7.5 |
| C33 | 4030017400 | S.CER C1005 CH 1H 220J-T | B | 82.3/7.5 |
| C34 | 4030017460 | S.CER C1005 JB 1H 102K-T | B | 81.3/7.5 |
| C51 | 4030017460 | S.CER C1005 JB 1H 102K-T | T | 199.5/36.9 |
| C52 | 4030017460 | S.CER C1005 JB 1H 102K-T | T | 198.3/39.6 |
| C53 | 4030017460 | S.CER C1005 JB 1H 102K-T | T | 197.0/40.7 |
| C54 | 4030017460 | S.CER C1005 JB 1H 102K-T | T | 196.6/50.1 |
| C55 | 4030017460 | S.CER C1005 JB 1H 102K-T | T | 195.7/40.0 |
| C56 | 4030017460 | S.CER C1005 JB 1H 102K-T | T | 195.6/51.1 |
| C57 | 4030017460 | S.CER C1005 JB 1H 102K-T | T | 194.8/40.0 |
| C58 | 4030017460 | S.CER C1005 JB 1H 102K-T | T | 194.5/50.1 |
| C59 | 4030017460 | S.CER C1005 JB 1H 102K-T | T | 193.7/41.0 |
| C60 | 4030017460 | S.CER C1005 JB 1H 102K-T | T | 193.5/50.1 |
| C63 | 4030017460 | S.CER C1005 JB 1H 102K-T | T | 191.9/41.0 |
| C64 | 4030017460 | S.CER C1005 JB 1H 102K-T | T | 191.4/50.1 |
| C65 | 4030017460 | S.CER C1005 JB 1H 102K-T | T | 191.0/41.0 |
| C66 | 4030017460 | S.CER C1005 JB 1H 102K-T | T | 190.0/50.1 |
| C67 | 4030017460 | S.CER C1005 JB 1H 102K-T | T | 190.0/41.0 |
| C68 | 4030017460 | S.CER C1005 JB 1H 102K-T | T | 189.0/41.0 |
| C69 | 4030017460 | S.CER C1005 JB 1H 102K-T | T | 188.6/50.1 |
| C70 | 4030017460 | S.CER C1005 JB 1H 102K-T | T | 188.0/41.0 |
| C71 | 4030017460 | S.CER C1005 JB 1H 102K-T | T | 187.5/50.1 |
| C72 | 4030017460 | S.CER C1 | | |

[MAIN UNIT]

| REF NO. | PARTS NO. | DESCRIPTION | M. | H/V LOCATION |
|---------|------------|--------------------------|----|--------------|
| C154 | 4030017460 | S.CER C1005 JB 1H 102K-T | T | 183.6/66.1 |
| C155 | 4030017460 | S.CER C1005 JB 1H 102K-T | T | 190.5/63.8 |
| C156 | 4030017460 | S.CER C1005 JB 1H 102K-T | T | 187.1/52.9 |
| C157 | 4030017460 | S.CER C1005 JB 1H 102K-T | T | 188.4/52.9 |
| C158 | 4030017460 | S.CER C1005 JB 1H 102K-T | T | 189.7/52.9 |
| C159 | 4030017460 | S.CER C1005 JB 1H 102K-T | T | 191.0/52.9 |
| C160 | 4030017460 | S.CER C1005 JB 1H 102K-T | T | 194.1/55.6 |
| C161 | 4030017400 | S.CER C1005 CH 1H 220J-T | T | 194.6/64.7 |
| C162 | 4030017400 | S.CER C1005 CH 1H 220J-T | T | 195.1/55.6 |
| C163 | 4030017400 | S.CER C1005 CH 1H 220J-T | T | 195.6/64.7 |
| C164 | 4030017400 | S.CER C1005 CH 1H 220J-T | T | 196.1/55.6 |
| C191 | 4030017460 | S.CER C1005 JB 1H 102K-T | T | 53.8/65.1 |
| C192 | 4030017400 | S.CER C1005 CH 1H 220J-T | T | 52.8/65.1 |
| C193 | 4030017400 | S.CER C1005 CH 1H 220J-T | T | 51.8/65.1 |
| C194 | 4030017460 | S.CER C1005 JB 1H 102K-T | B | 50.8/66.9 |
| C195 | 4030017460 | S.CER C1005 JB 1H 102K-T | B | 49.8/66.9 |
| C197 | 4030017460 | S.CER C1005 JB 1H 102K-T | B | 47.8/66.9 |
| C198 | 4030017460 | S.CER C1005 JB 1H 102K-T | B | 46.8/66.9 |
| C199 | 4030017460 | S.CER C1005 JB 1H 102K-T | B | 45.8/66.9 |
| C200 | 4030017460 | S.CER C1005 JB 1H 102K-T | B | 44.8/66.9 |
| C201 | 4030017460 | S.CER C1005 JB 1H 102K-T | B | 43.8/66.9 |
| C204 | 4030017460 | S.CER C1005 JB 1H 102K-T | B | 40.8/65.7 |
| C206 | 4030017460 | S.CER C1005 JB 1H 102K-T | B | 38.8/65.7 |
| C208 | 4030017460 | S.CER C1005 JB 1H 102K-T | B | 36.1/65.7 |
| C212 | 4030017460 | S.CER C1005 JB 1H 102K-T | T | 42.4/13.8 |
| C213 | 4030017460 | S.CER C1005 JB 1H 102K-T | B | 43.8/14.5 |
| C214 | 4030017460 | S.CER C1005 JB 1H 102K-T | B | 46.5/14.5 |
| C216 | 4030017460 | S.CER C1005 JB 1H 102K-T | B | 49.1/14.5 |
| C217 | 4030017460 | S.CER C1005 JB 1H 102K-T | B | 50.9/14.5 |
| C218 | 4030017460 | S.CER C1005 JB 1H 102K-T | B | 52.7/14.5 |
| C219 | 4030017460 | S.CER C1005 JB 1H 102K-T | B | 58.2/11.4 |
| C236 | 4030017460 | S.CER C1005 JB 1H 102K-T | B | 17.0/10.0 |
| C238 | 4030017460 | S.CER C1005 JB 1H 102K-T | B | 19.0/11.1 |
| C242 | 4030017400 | S.CER C1005 CH 1H 220J-T | B | 23.0/10.0 |
| C243 | 4030017400 | S.CER C1005 CH 1H 220J-T | B | 24.0/11.1 |
| C245 | 4030017460 | S.CER C1005 JB 1H 102K-T | B | 26.0/10.0 |
| C246 | 4030017400 | S.CER C1005 CH 1H 220J-T | B | 27.0/11.1 |
| C247 | 4030017400 | S.CER C1005 CH 1H 220J-T | B | 28.0/10.0 |
| C248 | 4030017400 | S.CER C1005 CH 1H 220J-T | B | 29.0/11.1 |
| C249 | 4030017400 | S.CER C1005 CH 1H 220J-T | B | 30.0/10.0 |
| C251 | 4030017460 | S.CER C1005 JB 1H 102K-T | T | 186.8/14.4 |
| C254 | 4030017460 | S.CER C1005 JB 1H 102K-T | T | 188.8/14.4 |
| C256 | 4030017460 | S.CER C1005 JB 1H 102K-T | T | 190.8/14.4 |
| C258 | 4030017460 | S.CER C1005 JB 1H 102K-T | T | 192.8/14.4 |
| C260 | 4030017460 | S.CER C1005 JB 1H 102K-T | T | 194.5/14.4 |
| C262 | 4030017460 | S.CER C1005 JB 1H 102K-T | T | 195.8/14.4 |
| C263 | 4030017460 | S.CER C1005 JB 1H 102K-T | T | 197.8/11.6 |
| C264 | 4030017460 | S.CER C1005 JB 1H 102K-T | T | 198.8/11.6 |
| C265 | 4030017460 | S.CER C1005 JB 1H 102K-T | T | 199.8/11.6 |
| C266 | 4030017460 | S.CER C1005 JB 1H 102K-T | T | 200.8/11.6 |
| C267 | 4030017460 | S.CER C1005 JB 1H 102K-T | T | 201.8/11.6 |
| C268 | 4030017460 | S.CER C1005 JB 1H 102K-T | T | 203.2/11.6 |
| C270 | 4030017400 | S.CER C1005 CH 1H 220J-T | T | 204.8/12.2 |
| C271 | 4030017400 | S.CER C1005 CH 1H 220J-T | T | 205.8/11.6 |
| C272 | 4030017400 | S.CER C1005 CH 1H 220J-T | T | 206.8/12.4 |
| C273 | 4030017400 | S.CER C1005 CH 1H 220J-T | T | 207.8/11.6 |
| C274 | 4030017460 | S.CER C1005 JB 1H 102K-T | T | 208.8/11.6 |
| C275 | 4030017460 | S.CER C1005 JB 1H 102K-T | T | 209.8/11.6 |
| C276 | 4030017460 | S.CER C1005 JB 1H 102K-T | T | 210.8/11.6 |
| C277 | 4030017460 | S.CER C1005 JB 1H 102K-T | T | 211.8/11.6 |
| C278 | 4030017460 | S.CER C1005 JB 1H 102K-T | T | 212.8/11.6 |
| C279 | 4030017460 | S.CER C1005 JB 1H 102K-T | T | 214.5/11.6 |
| C280 | 4030017460 | S.CER C1005 JB 1H 102K-T | T | 215.5/12.1 |
| C1001 | 4030016930 | S.CER C1005 JB 1A 104K-T | B | 197.0/30.7 |
| C1021 | 4030016790 | S.CER C1005 JB 1E 103K-T | B | 244.7/37.8 |
| C1022 | 4030016790 | S.CER C1005 JB 1E 103K-T | B | 194.6/37.0 |
| C1041 | 4030016930 | S.CER C1005 JB 1A 104K-T | B | 187.2/31.2 |
| C1081 | 4030016930 | S.CER C1005 JB 1A 104K-T | B | 238.4/4.2 |
| C1101 | 4030011600 | S.CER C1608 JB 1E 104K-T | T | 222.5/4.6 |
| C1102 | 4030008890 | S.CER C1608 JB 1H 273K-T | T | 225.8/3.0 |
| C1141 | 4030016930 | S.CER C1005 JB 1A 104K-T | T | 223.3/9.6 |
| C1161 | 4030016930 | S.CER C1005 JB 1A 104K-T | B | 219.0/22.6 |
| C1162 | 4030016930 | S.CER C1005 JB 1A 104K-T | B | 219.2/10.2 |
| C1163 | 4030016790 | S.CER C1005 JB 1E 103K-T | B | 222.4/25.5 |
| C1167 | 4030016790 | S.CER C1005 JB 1E 103K-T | B | 209.8/29.3 |
| C1168 | 4030016790 | S.CER C1005 JB 1E 103K-T | B | 221.7/14.6 |
| C1169 | 4030016790 | S.CER C1005 JB 1E 103K-T | B | 221.9/23.4 |
| C1170 | 4030016790 | S.CER C1005 JB 1E 103K-T | B | 209.8/24.6 |
| C1171 | 4030016790 | S.CER C1005 JB 1E 103K-T | B | 223.3/12.5 |
| C1172 | 4030016790 | S.CER C1005 JB 1E 103K-T | B | 210.6/11.0 |
| C1173 | 4030019560 | S.CER GRM21BB31C106KE15L | B | 221.6/27.8 |
| C1174 | 4030019560 | S.CER GRM21BB31C106KE15L | B | 210.7/22.3 |
| C1175 | 4030016790 | S.CER C1005 JB 1E 103K-T | B | 221.7/17.4 |
| C1176 | 4030016790 | S.CER C1005 JB 1E 103K-T | B | 210.5/13.0 |
| C1177 | 4030016790 | S.CER C1005 JB 1E 103K-T | B | 210.4/17.0 |
| C1178 | 4030016790 | S.CER C1005 JB 1E 103K-T | B | 221.0/29.5 |
| C1179 | 4030019990 | S.CER C1005 JB 1C 104K-T | B | 197.0/26.3 |
| C1180 | 4030019990 | S.CER C1005 JB 1C 104K-T | B | 207.1/22.4 |
| C1201 | 4030016790 | S.CER C1005 JB 1E 103K-T | B | 249.1/6.9 |
| C1202 | 4030016790 | S.CER C1005 JB 1E 103K-T | B | 250.7/6.9 |
| C1203 | 4030016790 | S.CER C1005 JB 1E 103K-T | B | 252.3/6.9 |
| C1204 | 4030016790 | S.CER C1005 JB 1E 103K-T | B | 254.3/4.2 |
| C1205 | 4030019560 | S.CER GRM21BB31C106KE15L | B | 255.0/8.7 |
| C1206 | 4030016790 | S.CER C1005 JB 1E 103K-T | B | 256.3/10.1 |
| C1207 | 4030016930 | S.CER C1005 JB 1A 104K-T | B | 233.9/15.4 |
| C1208 | 4030016930 | S.CER C1005 JB 1A 104K-T | B | 255.8/36.4 |
| C1209 | 4030016930 | S.CER C1005 JB 1A 104K-T | B | 259.8/17.7 |
| C1210 | 4030016930 | S.CER C1005 JB 1A 104K-T | B | 260.3/16.1 |
| C1211 | 4030016930 | S.CER C1005 JB 1A 104K-T | B | 237.4/11.2 |
| C1212 | 4030019560 | S.CER GRM21BB31C106KE15L | B | 255.0/6.9 |
| C1213 | 4030016790 | S.CER C1005 JB 1E 103K-T | B | 256.3/11.0 |
| C1214 | 4030016930 | S.CER C1005 JB 1A 104K-T | B | 260.2/22.5 |
| C1215 | 4030017620 | S.CER C1005 CH 1H 100C-T | B | 261.2/19.3 |
| C1216 | 4030017620 | S.CER C1005 CH 1H 100C-T | B | 261.2/20.9 |
| C1217 | 4030016930 | S.CER C1005 JB 1A 104K-T | B | 240.3/36.4 |

[MAIN UNIT]

| REF NO. | PARTS NO. | DESCRIPTION | M. | H/V LOCATION |
|---------|------------|---------------------------|----|--------------|
| C1261 | 4030016930 | S.CER C1005 JB 1A 104K-T | T | 238.7/26.8 |
| C1262 | 4030016930 | S.CER C1005 JB 1A 104K-T | T | 245.2/11.0 |
| C1263 | 4030016930 | S.CER C1005 JB 1A 104K-T | T | 250.5/11.0 |
| C1264 | 4030016930 | S.CER C1005 JB 1A 104K-T | T | 259.3/13.7 |
| C1265 | 4030016930 | S.CER C1005 JB 1A 104K-T | T | 259.3/19.7 |
| C1266 | 4030016930 | S.CER C1005 JB 1A 104K-T | T | 249.7/30.9 |
| C1267 | 4030016930 | S.CER C1005 JB 1A 104K-T | T | 244.6/30.5 |
| C1268 | 4030009990 | S.CER C1608 CH 1H 200J-T | T | 261.0/27.7 |
| C1281 | 4030016790 | S.CER C1005 JB 1E 103K-T | B | 233.3/11.7 |
| C2001 | 4030017660 | S.CER C1005 CH 1H 330J-T | T | 28.5/39.6 |
| C2002 | 4030017770 | S.CER C1005 JB 1H 332K-T | T | 27.5/48.3 |
| C2003 | 4030017770 | S.CER C1005 JB 1H 332K-T | T | 27.5/39.6 |
| C2004 | 4030019990 | S.CER C1005 JB 1C 104K-T | T | 26.6/42.8 |
| C2005 | 4030019990 | S.CER C1005 JB 1C 104K-T | T | 27.0/46.2 |
| C2006 | 4030019990 | S.CER C1005 JB 1C 104K-T | T | 27.0/47.1 |
| C2007 | 4030017430 | S.CER C1005 CH 1H 101J-T | T | 26.6/39.6 |
| C2008 | 4030017660 | S.CER C1005 CH 1H 332K-T | T | 29.3/50.8 |
| C2009 | 4030017430 | S.CER C1005 CH 1H 101J-T | T | 26.6/48.3 |
| C2010 | 4030018980 | S.CER C1608 JB 1H 104K-T | T | 16.3/39.8 |
| C2011 | 4030018980 | S.CER C1608 JB 1H 104K-T | T | 15.5/48.2 |
| C2012 | 4030019560 | S.CER GRM21BB31C106KE15L | T | 14.7/46.0 |
| C2013 | 4030019560 | S.CER GRM21BB31C106KE15L | T | 14.7/42.7 |
| C2014 | 4030019990 | S.CER C1005 JB 1C 104K-T | T | 16.2/45.6 |
| C2015 | 4030019990 | S.CER C1005 JB 1C 104K-T | T | 16.2/43.0 |
| C2016 | 4030018970 | S.CER C3225 JB 1C 226MT-N | T | 10.3/44.3 |
| C2017 | 4030019560 | S.CER GRM21BB31C106KE15L | T | 26.6/36.7 |
| C2018 | 4030019560 | S.CER GRM21BB31C106KE15L | T | 26.6/35.0 |
| C2019 | 4030019560 | S.CER GRM21BB31C106KE15L | T | 23.9/56.1 |
| C2020 | 4030019560 | S.CER GRM21BB31C106KE15L | T | 22.1/56.1 |
| C2021 | 4030018970 | S.CER C3225 JB 1C 226MT-N | T | 10.3/41.3 |
| C2102 | 4550006780 | S.TAN TEESVB2 0J 476M8R | B | 108.5/10.2 |
| C2103 | 4510009340 | S.ELE EEEHA1C101WP | T | 93.2/15.0 |
| C3201 | 4030011600 | S.CER C1608 JB 1E 104K-T | B | 38.4/29.4 |
| C3202 | 4030011600 | S.CER C1608 JB 1E 104K-T | B | 40.7/37.7 |
| C3203 | 4030011600 | S.CER C1608 JB 1E 104K-T | B | 40.7/44.6 |
| C3204 | 4030011600 | S.CER C1608 JB 1E 104K-T | B | 47.5/51.5 |
| C3205 | 4030011600 | S.CER C1608 JB 1E 104K-T | B | 41.0/29.4 |
| C3251 | 4030017810 | S.CER C1608 CH 1H 102J-T | T | 66.3/31.9 |
| C3253 | 4030011600 | S.CER C1608 JB 1E 104K-T | B | 53.7/31.0 |
| C3271 | 4030012610 | S.CER C2012 JB 1C 474K-T | T | 66.6/38.8 |
| C3272 | 4030019120 | S.CER GRM188B31E105KA75D | T | 61.5/35.9 |
| C3275 | 4030019120 | S.CER GRM188B31E105KA75D | T | 62.0/25.2 |
| C3276 | 4030019120 | S.CER GRM188B31E105KA75D | T | 60.8/25.2 |
| C3277 | 4030019120 | S.CER GRM188B31E105KA75D | T | 59.6/25.2 |
| C3278 | 4030019120 | S.CER GRM188B31E105KA75D | T | 60.2/37.2 |
| C3279 | 4030011600 | S.CER C1608 JB 1E 104K-T | B | 57.9/32.2 |
| C3280 | 4030019560 | S.CER GRM21BB31C106KE15L | B | 56.7/23.2 |
| C3282 | 4030017620 | S.CER C1005 CH 1H 100C-T | T | 57.0/27.3 |
| C3283 | 4030019120 | S.CER GRM188B31E105KA75D | B | 56.3/28.5 |
| C3284 | 4030011600 | S.CER C1608 JB 1E 104K-T | B | 62.2/27.1 |
| C3289 | 4030019560 | S.CER GRM21BB31C106KE15L | B | 56.7/21.5 |
| C3290 | 4030019560 | S.CER GRM21BB31C106KE15L | B | 53.2/21.0 |
| C3401 | 4510009910 | S.ELE 16 CE 10 LH | T | 108.3/60.4 |
| C3402 | 4030019120 | S.CER GRM188B31E105KA75D | T | 107.4/57.3 |
| C3403 | 4030017810 | S.CER C1608 CH 1H 102J-T | B | 107.1/57.8 |
| C3404 | 4030019120 | S.CER GRM188B31E105KA75D | T | 110.0/57.3 |
| C3405 | 4030019460 | S.CER C1608 JB 0J 106M-T | T | 111.7/54.7 |
| C3406 | 4030019460 | S.CER C1608 JB 0J 106M-T | T | 110.8/49.5 |
| C3407 | 4030007120 | S.CER C1608 CH 1H 820J-T | B | 107.1/49.0 |
| C3409 | 4030019460 | S.CER C1608 JB 0J 106M-T | T | 111.0/50.7 |
| C3410 | 4550003220 | S.TAN TEESVA 1E 105M8R | T | 104.0/55.4 |
| C3411 | 4030011600 | S.CER C1608 JB 1E 104K-T | T | 98.3/46.2 |
| C3412 | 4510009250 | S.ELE EEEFK1C471P | T | 104.0/49.9 |
| C3414 | 4510009250 | S.ELE EEEFK1C471P | T | 106.6/28.5 |
| C3415 | 4510008500 | S.ELE EEE1CA101WP | T | 112.6/45.3 |
| C3416 | 4030011600 | S.CER C1608 JB 1E 104K-T | T | 111.7/56.0 |
| C3421 | 4030011600 | S.CER C1608 JB 1E 104K-T | B | 116.9/57.8 |
| C3422 | 4030011600 | S.CER C1608 JB 1E 104K-T | T | 113.4/49.5 |
| C342 | | | | |

[MAIN UNIT]

| REF NO. | PARTS NO. | DESCRIPTION | M. | H/V LOCATION |
|---------|------------|--------------------------|----|--------------|
| C3485 | 4030016930 | S.CER C1005 JB 1A 104K-T | B | 86.9/71.9 |
| C3486 | 4030016930 | S.CER C1005 JB 1A 104K-T | B | 81.6/64.2 |
| C3487 | 4030016930 | S.CER C1005 JB 1A 104K-T | B | 81.6/63.1 |
| C3488 | 4030016930 | S.CER C1005 JB 1A 104K-T | B | 82.7/69.0 |
| C3489 | 4030016930 | S.CER C1005 JB 1A 104K-T | B | 86.0/65.6 |
| C3490 | 4030016930 | S.CER C1005 JB 1A 104K-T | B | 67.2/65.1 |
| C3491 | 4030016930 | S.CER C1005 JB 1A 104K-T | B | 71.3/72.4 |
| C3492 | 4030016930 | S.CER C1005 JB 1A 104K-T | B | 67.2/67.8 |
| C3493 | 4030016930 | S.CER C1005 JB 1A 104K-T | B | 67.2/64.0 |
| C3494 | 4030016930 | S.CER C1005 JB 1A 104K-T | B | 67.2/69.9 |
| C3495 | 4030016930 | S.CER C1005 JB 1A 104K-T | B | 71.1/66.0 |
| C3496 | 4030016930 | S.CER C1005 JB 1A 104K-T | B | 56.0/68.1 |
| C3497 | 4030016930 | S.CER C1005 JB 1A 104K-T | B | 60.3/72.7 |
| C3498 | 4030016930 | S.CER C1005 JB 1A 104K-T | B | 56.0/65.1 |
| C3499 | 4030016930 | S.CER C1005 JB 1A 104K-T | B | 56.0/64.0 |
| C3500 | 4030016930 | S.CER C1005 JB 1A 104K-T | B | 56.0/69.9 |
| C3501 | 4030016930 | S.CER C1005 JB 1A 104K-T | B | 60.7/66.5 |
| C3502 | 4030016930 | S.CER C1005 JB 1A 104K-T | B | 89.2/69.1 |
| C3503 | 4030016930 | S.CER C1005 JB 1A 104K-T | B | 73.9/69.7 |
| C3504 | 4030016930 | S.CER C1005 JB 1A 104K-T | B | 63.5/70.0 |
| C3505 | 4030011600 | S.CER C1608 JB 1E 104K-T | B | 111.6/19.0 |
| C3506 | 4030011600 | S.CER C1608 JB 1E 104K-T | B | 105.7/19.0 |
| C3507 | 4030011600 | S.CER C1608 JB 1E 104K-T | B | 99.8/19.0 |
| C3508 | 4030016930 | S.CER C1005 JB 1A 104K-T | B | 86.9/69.1 |
| C3509 | 4030016930 | S.CER C1005 JB 1A 104K-T | B | 71.3/69.7 |
| C3510 | 4030016930 | S.CER C1005 JB 1A 104K-T | B | 60.2/70.0 |
| C3511 | 4030011600 | S.CER C1608 JB 1E 104K-T | B | 115.4/19.6 |
| C3512 | 4030011600 | S.CER C1608 JB 1E 104K-T | B | 109.5/19.6 |
| C3513 | 4030011600 | S.CER C1608 JB 1E 104K-T | B | 103.6/19.6 |
| C3523 | 4030017420 | S.CER C1005 CH 1H 470J-T | T | 118.0/41.8 |
| C3525 | 4030017460 | S.CER C1005 JB 1H 102K-T | B | 125.3/37.2 |
| C3527 | 4030017420 | S.CER C1005 CH 1H 470J-T | T | 118.8/38.2 |
| C3529 | 4030011600 | S.CER C1608 JB 1E 104K-T | B | 115.1/38.0 |
| C3530 | 4030011600 | S.CER C1608 JB 1E 104K-T | B | 121.9/40.7 |
| C3535 | 4030017460 | S.CER C1005 JB 1H 102K-T | B | 126.6/27.0 |
| C3539 | 4030011600 | S.CER C1608 JB 1E 104K-T | B | 115.1/27.9 |
| C3540 | 4030011600 | S.CER C1608 JB 1E 104K-T | B | 121.9/30.6 |
| C3541 | 4030011600 | S.CER C1608 JB 1E 104K-T | B | 123.3/31.3 |
| C3542 | 4030011600 | S.CER C1608 JB 1E 104K-T | B | 130.2/33.4 |
| C3543 | 4030017420 | S.CER C1005 CH 1H 470J-T | T | 117.8/31.7 |
| C3545 | 4030017420 | S.CER C1005 CH 1H 470J-T | T | 118.7/28.1 |
| C3601 | 4030019560 | S.CER GRM21BB31C106KE15L | B | 87.4/36.5 |
| C3604 | 4030019560 | S.CER GRM21BB31C106KE15L | B | 80.1/32.3 |
| C3606 | 4030018590 | S.CER C1608 CH 1H 122J-T | T | 89.7/37.9 |
| C3607 | 4030018600 | S.CER C1608 CH 1H 152J-T | T | 84.3/38.3 |
| C3608 | 4030007140 | S.CER C1608 CH 1H 121J-T | T | 84.3/37.1 |
| C3609 | 4030011330 | S.CER C1608 CH 1H 391J-T | T | 87.0/37.1 |
| C3610 | 4030018620 | S.CER C1608 CH 1H 222J-T | T | 86.7/34.0 |
| C3611 | 4030018620 | S.CER C1608 CH 1H 222J-T | T | 85.5/34.0 |
| C3612 | 4030020010 | S.CER C1005 CH 1H 271J-T | T | 87.8/31.8 |
| C3621 | 4030011600 | S.CER C1608 JB 1E 104K-T | B | 86.7/28.5 |
| C3622 | 4030019560 | S.CER GRM21BB31C106KE15L | B | 86.3/25.0 |
| C3623 | 4030011600 | S.CER C1608 JB 1E 104K-T | B | 88.1/24.6 |
| C3624 | 4030017810 | S.CER C1608 CH 1H 102J-T | T | 89.5/28.5 |
| C3625 | 4030011600 | S.CER C1608 JB 1E 104K-T | B | 85.4/26.5 |
| C3626 | 4030011600 | S.CER C1608 JB 1E 104K-T | B | 90.1/24.2 |
| C3627 | 4030016790 | S.CER C1005 JB 1E 103K-T | B | 83.2/23.5 |
| C3631 | 4030011600 | S.CER C1608 JB 1E 104K-T | B | 76.0/27.0 |
| C3632 | 4030011600 | S.CER C1608 JB 1E 104K-T | B | 82.1/26.3 |
| C3633 | 4030019560 | S.CER GRM21BB31C106KE15L | T | 80.6/26.1 |
| C3634 | 4030011600 | S.CER C1608 JB 1E 104K-T | T | 77.4/24.5 |
| C3635 | 4030016790 | S.CER C1005 JB 1E 103K-T | T | 75.3/27.9 |
| C3636 | 4030019460 | S.CER C1608 JB 0J 106M-T | B | 80.7/27.0 |
| C3652 | 4030006900 | S.CER C1608 JB 1H 103K-T | B | 83.7/45.7 |
| C3653 | 4030016790 | S.CER C1005 JB 1E 103K-T | T | 80.1/43.1 |
| C3654 | 4030011600 | S.CER C1608 JB 1E 104K-T | T | 82.8/42.5 |
| C3655 | 4030019560 | S.CER GRM21BB31C106KE15L | T | 82.2/41.0 |
| C3656 | 4030011600 | S.CER C1608 JB 1E 104K-T | T | 84.4/45.7 |
| C3657 | 4030007090 | S.CER C1608 CH 1H 470J-T | T | 80.1/48.7 |
| C3673 | 4030011600 | S.CER C1608 JB 1E 104K-T | B | 70.8/57.7 |
| C3675 | 4030016790 | S.CER C1005 JB 1E 103K-T | T | 96.1/50.7 |
| C3676 | 4030016790 | S.CER C1005 JB 1E 103K-T | T | 90.4/47.9 |
| C3677 | 4030006880 | S.CER C1608 JB 1H 472K-T | T | 93.9/50.9 |
| C3681 | 4030011600 | S.CER C1608 JB 1E 104K-T | T | 66.7/50.7 |
| C3682 | 4030010760 | S.CER C1608 CH 1H 331J-T | T | 66.5/54.5 |
| C3683 | 4030018600 | S.CER C1608 CH 1H 152J-T | T | 64.2/53.3 |
| C3685 | 4030010760 | S.CER C1608 CH 1H 331J-T | T | 63.9/54.5 |
| C3686 | 4030011840 | S.CER C1608 CH 1H 241J-T | T | 61.6/50.8 |
| C3687 | 4030007100 | S.CER C1608 CH 1H 560J-T | T | 61.6/52.0 |
| C3688 | 4030011840 | S.CER C1608 CH 1H 241J-T | T | 59.7/51.3 |
| C3689 | 4030011600 | S.CER C1608 JB 1E 104K-T | T | 58.6/49.2 |
| C3691 | 4030006880 | S.CER C1608 JB 1H 472K-T | T | 67.0/57.2 |
| C3692 | 4030007110 | S.CER C1608 CH 1H 680J-T | T | 66.9/61.4 |
| C3693 | 4030007150 | S.CER C1608 CH 1H 151J-T | T | 64.3/60.2 |
| C3694 | 4030007110 | S.CER C1608 CH 1H 680J-T | T | 64.3/61.4 |
| C3695 | 4030007070 | S.CER C1608 CH 1H 330J-T | T | 61.6/57.3 |
| C3696 | 4030007030 | S.CER C1608 CH 1H 150J-T | T | 61.6/58.5 |
| C3697 | 4030007070 | S.CER C1608 CH 1H 330J-T | T | 59.8/57.8 |
| C3698 | 4030006880 | S.CER C1608 JB 1H 472K-T | T | 58.6/55.7 |
| C3701 | 4030011600 | S.CER C1608 JB 1E 104K-T | T | 53.5/61.5 |
| C3702 | 4030011600 | S.CER C1608 JB 1E 104K-T | B | 52.8/54.1 |
| C3703 | 4030011600 | S.CER C1608 JB 1E 104K-T | T | 55.0/61.5 |
| C3801 | 4030017480 | S.CER C1608 JB 1A 474K-T | B | 95.1/40.3 |
| C3901 | 4030011600 | S.CER C1608 JB 1E 104K-T | T | 206.2/71.3 |
| C3902 | 4030007010 | S.CER C1608 CH 1H 100D-T | T | 202.1/71.0 |
| C3903 | 4030007010 | S.CER C1608 CH 1H 100D-T | T | 204.2/72.7 |
| C3905 | 4030011600 | S.CER C1608 JB 1E 104K-T | T | 209.5/71.3 |
| C3911 | 4030016930 | S.CER C1005 JB 1A 104K-T | B | 199.1/56.9 |
| C3912 | 4030016930 | S.CER C1005 JB 1A 104K-T | B | 200.3/57.2 |
| C3920 | 4030011600 | S.CER C1608 JB 1E 104K-T | B | 203.0/54.3 |
| C3921 | 4550006780 | S.TAN TEESVB2 0J 476M8R | B | 201.8/47.9 |
| C3951 | 4030011600 | S.CER C1608 JB 1E 104K-T | B | 245.8/47.4 |
| C3952 | 4030011600 | S.CER C1608 JB 1E 104K-T | B | 246.7/40.9 |
| C4001 | 4030019460 | S.CER C1608 JB 0J 106M-T | T | 234.9/63.1 |
| C4002 | 4030019460 | S.CER C1608 JB 0J 106M-T | T | 239.3/32.0 |

[MAIN UNIT]

| REF NO. | PARTS NO. | DESCRIPTION | M. | H/V LOCATION |
|---------|------------|--------------------------|----|--------------|
| C4003 | 4030019460 | S.CER C1608 JB 0J 106M-T | T | 206.7/28.0 |
| C4004 | 4030019460 | S.CER C1608 JB 0J 106M-T | T | 210.2/63.1 |
| C4005 | 4030019460 | S.CER C1608 JB 0J 106M-T | T | 230.8/63.1 |
| C4006 | 4030019460 | S.CER C1608 JB 0J 106M-T | T | 206.7/29.2 |
| C4007 | 4030019460 | S.CER C1608 JB 0J 106M-T | T | 206.9/31.4 |
| C4008 | 4030019460 | S.CER C1608 JB 0J 106M-T | T | 204.8/58.5 |
| C4009 | 4030019460 | S.CER C1608 JB 0J 106M-T | T | 237.6/60.2 |
| C4010 | 4030016930 | S.CER C1005 JB 1A 104K-T | T | 238.5/33.4 |
| C4011 | 4030016930 | S.CER C1005 JB 1A 104K-T | T | 238.5/37.7 |
| C4012 | 4030016930 | S.CER C1005 JB 1A 104K-T | T | 238.5/41.7 |
| C4013 | 4030016930 | S.CER C1005 JB 1A 104K-T | T | 238.5/43.3 |
| C4014 | 4030016930 | S.CER C1005 JB 1A 104K-T | T | 238.5/44.9 |
| C4015 | 4030016930 | S.CER C1005 JB 1A 104K-T | T | 238.5/49.3 |
| C4016 | 4030016930 | S.CER C1005 JB 1A 104K-T | T | 238.5/54.3 |
| C4017 | 4030016930 | S.CER C1005 JB 1A 104K-T | T | 238.5/58.8 |
| C4018 | 4030019460 | S.CER C1608 JB 0J 106M-T | T | 205.1/32.1 |
| C4019 | 4030016930 | S.CER C1005 JB 1A 104K-T | T | 238.5/35.0 |
| C4020 | 4030016930 | S.CER C1005 JB 1A 104K-T | T | 238.5/40.1 |
| C4021 | 4030016930 | S.CER C1005 JB 1A 104K-T | T | 238.5/47.7 |
| C4022 | 4030016930 | S.CER C1005 JB 1A 104K-T | T | 238.5/52.7 |
| C4023 | 4030016930 | S.CER C1005 JB 1A 104K-T | T | 238.5/57.2 |
| C4024 | 4030016930 | S.CER C1005 JB 1A 104K-T | T | 234.4/29.4 |
| C4025 | 4030016930 | S.CER C1005 JB 1A 104K-T | T | 235.2/62.1 |
| C4026 | 4030016930 | S.CER C1005 JB 1A 104K-T | T | 233.6/62.1 |
| C4027 | 4030016930 | S.CER C1005 JB 1A 104K-T | T | 232.8/29.4 |
| C4028 | 4030016930 | S.CER C1005 JB 1A 104K-T | T | 230.5/62.1 |
| C4029 | 4030016930 | S.CER C1005 JB 1A 104K-T | T | 228.9/62.1 |
| C4030 | 4030016930 | S.CER C1005 JB 1A 104K-T | T | 227.7/28.9 |
| C4031 | 4030016930 | S.CER C1005 JB 1A 104K-T | T | 226.2/28.1 |
| C4032 | 4030016930 | S.CER C1005 JB 1A 104K-T | T | 226.3/62.1 |
| C4033 | 4030016930 | S.CER C1005 JB 1A 104K-T | T | 224.7/62.1 |
| C4034 | 4030016930 | S.CER C1005 JB 1A 104K-T | T | 223.1/62.1 |
| C4035 | 4030016930 | S.CER C1005 JB 1A 104K-T | T | 222.6/28.3 |
| C4036 | 4030016930 | S.CER C1005 JB 1A 104K-T | T | 221.4/28.3 |
| C4038 | 4030016930 | S.CER C1005 JB 1A 104K-T | T | 219.0/64.5 |
| C4039 | 4030016930 | S.CER C1005 JB 1A 104K-T | T | 217.7/62.1 |
| C4040 | 4030016930 | S.CER C1005 JB 1A 104K-T | T | 216.1/62.1 |
| C4041 | 4030016930 | S.CER C1005 JB 1A 104K-T | T | 213.5/29.4 |
| C4042 | 4030016930 | S.CER C1005 JB 1A 104K-T | T | 213.9/62.1 |
| C4043 | 4030016930 | S.CER C1005 JB 1A 104K-T | T | 212.3/29.0 |
| C4044 | 4030016930 | S.CER C1005 JB 1A 104K-T | T | 211.4/29.0 |
| C4045 | 4030016930 | S.CER C1005 JB 1A 104K-T | T | 210.5/29.0 |
| C4046 | 4030016930 | S.CER C1005 JB 1A 104K-T | T | 209.4/29.0 |
| C4047 | 4030016930 | S.CER C1005 JB 1A 104K-T | T | 208.5/29.0 |
| C4048 | 4030016930 | S.CER C1005 JB 1A 104K-T | T | 209.9/62.1 |
| C4049 | 4030016930 | S.CER C1005 JB 1A 104K-T | T | 204.7/36.6 |
| C4050 | 4030016930 | S.CER C1005 JB 1A 104K-T | T | 206.0/41.4 |
| C4051 | 4030016930 | S.CER C1005 JB 1A 104K-T | T | 205.8/46.4 |
| C4052 | 4030016930 | S.CER C1005 JB 1A 104K-T | T | 205.7/54.6 |
| C4053 | 4030016930 | S.CER C1005 JB 1A 104K-T | T | 205.8/57.2 |
| C4054 | 4030019460 | S.CER C1608 JB 0J 106M-T | T | 225.9/29.1 |
| C4055 | 4030016930 | S.CER C1005 JB 1A 104K-T | T | 205.4/31.1 |
| C4056 | 4030016930 | S.CER C1005 JB 1A 104K-T | T | 205.8/33.8 |
| C4057 | 4030016930 | S.CER C1005 JB 1A 104K-T | T | 205.8/35.4 |
| C4058 | 4030016930 | S.CER C1005 JB 1A 104K-T | T | 206.0/39.8 |
| C4059 | 4030016930 | S.CER C1005 JB 1A 104K-T | T | 205.6/42.7 |
| C4060 | 4030016930 | S.CER C1005 JB 1A 104K-T | T | 205.8/48.0 |
| C4061 | 4030016930 | S.CER C1005 JB 1A 104K-T | T | 205.3/51.4 |
| C4062 | 4030017460 | S.CER C1005 JB 1H 102J-T | T | 221.3/62.1 |
| C4063 | 4030016930 | S.CER C1005 JB 1A 104K-T | T | 205.8/58.8 |
| C4064 | 4030016790 | S.CER C1005 JB 1E 103K-T | T | 221.3/63.9 |
| C4065 | 4030016930 | S.CER C1005 JB 1A 104K-T | T | 221.3/63.9 |
| C4066 | 4030017600 | S.CER C1005 CH 1H 080C-T | T | 202.9/40.7 |
| C4069 | 4030019460 | S.CER C1608 JB 0J 106M-T | T | 202.5/52.4 |
| C4208 | 4030016930 | S.CER C1005 JB 1A 104K-T | T | 266.1/63.1 |
| C4209 | 4030019460 | S.CER C1608 JB 0J 106M-T | T | 263.9/62.7 |
| C4210 | 4030016930 | S.CER C1005 JB 1A 104K-T | T | |

[MAIN UNIT]

| REF NO. | PARTS NO. | DESCRIPTION | M. | H/V LOCATION |
|---------|------------|--------------------------|----|--------------|
| C4451 | 4030018620 | S.CER C1608 CH 1H 222J-T | T | 148.9/30.1 |
| C4461 | 4550006780 | S.TAN TEESVB2 0J 476M8R | T | 158.3/27.7 |
| C4462 | 4030016930 | S.CER C1005 JB 1A 104K-T | T | 157.9/31.0 |
| C4463 | 4030016930 | S.CER C1005 JB 1A 104K-T | T | 157.4/31.9 |
| C4464 | 4030016930 | S.CER C1005 JB 1A 104K-T | T | 163.6/29.4 |
| C4465 | 4030019460 | S.CER C1608 JB 0J 106M-T | T | 154.1/31.9 |
| C4466 | 4030016930 | S.CER C1005 JB 1A 104K-T | T | 154.4/30.9 |
| C4467 | 4030019460 | S.CER C1608 JB 0J 106M-T | T | 156.2/47.9 |
| C4468 | 4030016930 | S.CER C1005 JB 1A 104K-T | T | 167.8/37.7 |
| C4469 | 4030016930 | S.CER C1005 JB 1A 104K-T | T | 156.4/46.8 |
| C4470 | 4030016930 | S.CER C1005 JB 1A 104K-T | T | 153.0/36.8 |
| C4471 | 4030016930 | S.CER C1005 JB 1A 104K-T | T | 155.7/44.8 |
| C4472 | 4030016930 | S.CER C1005 JB 1A 104K-T | T | 165.3/46.2 |
| C4473 | 4030019460 | S.CER C1608 JB 0J 106M-T | T | 152.4/35.1 |
| C4474 | 4030016930 | S.CER C1005 JB 1A 104K-T | T | 153.4/35.4 |
| C4481 | 4030019570 | S.CER C1608 CH 1H 332J-T | T | 166.8/49.9 |
| C4482 | 4030018620 | S.CER C1608 CH 1H 222J-T | T | 165.6/49.9 |
| C4483 | 4030020160 | S.CER C1608 CH 1H 103J-T | T | 171.8/41.8 |
| C4484 | 4030016790 | S.CER C1005 JB 1E 103K-T | T | 150.2/34.6 |
| C4485 | 4030018580 | S.CER C1608 CH 1H 821J-T | T | 169.5/51.6 |
| C4486 | 4030019570 | S.CER C1608 CH 1H 332J-T | T | 155.0/54.4 |
| C4487 | 4030018620 | S.CER C1608 CH 1H 222J-T | T | 170.4/44.6 |
| C4488 | 4030018580 | S.CER C1608 CH 1H 821J-T | T | 169.5/49.0 |
| C4489 | 4030018620 | S.CER C1608 CH 1H 222J-T | T | 153.8/54.4 |
| C4490 | 4030018620 | S.CER C1608 CH 1H 222J-T | T | 173.0/44.6 |
| C4491 | 4030020160 | S.CER C1608 CH 1H 103J-T | T | 150.2/41.3 |
| C4492 | 4030017810 | S.CER C1608 CH 1H 102J-T | T | 148.1/36.3 |
| C4493 | 4030018580 | S.CER C1608 CH 1H 821J-T | T | 153.8/51.6 |
| C4494 | 4030017810 | S.CER C1608 CH 1H 102J-T | T | 148.1/33.5 |
| C4495 | 4030018580 | S.CER C1608 CH 1H 821J-T | T | 151.0/53.2 |
| C4496 | 4030018620 | S.CER C1608 CH 1H 222J-T | T | 151.9/44.0 |
| C4497 | 4030019560 | S.CER GRM21BB31C106KE15L | T | 176.6/49.6 |
| C4498 | 4030019560 | S.CER GRM21BB31C106KE15L | T | 173.3/54.1 |
| C4499 | 4030018620 | S.CER C1608 CH 1H 222J-T | T | 149.3/44.0 |
| C4500 | 4030019560 | S.CER GRM21BB31C106KE15L | T | 142.0/31.3 |
| C4501 | 4030019560 | S.CER GRM21BB31C106KE15L | T | 144.4/38.6 |
| C4502 | 4030019560 | S.CER GRM21BB31C106KE15L | T | 146.7/49.2 |
| C4503 | 4030019560 | S.CER GRM21BB31C106KE15L | T | 154.0/47.8 |
| C4504 | 4030016930 | S.CER C1005 JB 1A 104K-T | T | 156.6/52.3 |
| C4505 | 4030019560 | S.CER GRM21BB31C106KE15L | T | 156.0/50.7 |
| C4581 | 4030020170 | S.CER C1608 CH 1H 472J-T | T | 171.8/40.6 |
| C4591 | 4030020170 | S.CER C1608 CH 1H 472J-T | T | 150.2/40.1 |
| C4601 | 4030019560 | S.CER GRM21BB31C106KE15L | B | 162.6/73.9 |
| C4602 | 4030019560 | S.CER GRM21BB31C106KE15L | B | 156.8/64.3 |
| C4603 | 4030019560 | S.CER GRM21BB31C106KE15L | B | 155.6/55.7 |
| C4604 | 4030019560 | S.CER GRM21BB31C106KE15L | B | 162.9/58.6 |
| C4605 | 4030019560 | S.CER GRM21BB31C106KE15L | B | 171.9/68.4 |
| C4606 | 4030019560 | S.CER GRM21BB31C106KE15L | B | 167.0/57.9 |
| C4607 | 4030011600 | S.CER C1608 JB 1E 104K-T | B | 153.2/56.8 |
| C4608 | 4030011600 | S.CER C1608 JB 1E 104K-T | B | 152.3/59.1 |
| C4609 | 4030019120 | S.CER GRM188B31E105KA75D | B | 167.6/67.7 |
| C4610 | 4030019120 | S.CER GRM188B31E105KA75D | B | 169.8/56.5 |
| C4611 | 4030019460 | S.CER C1608 JB 0J 106M-T | B | 164.4/63.0 |
| C4612 | 4030019460 | S.CER C1608 JB 0J 106M-T | B | 156.3/70.5 |
| C4613 | 4030019460 | S.CER C1608 JB 0J 106M-T | B | 156.3/67.8 |
| C4614 | 4030011600 | S.CER C1608 JB 1E 104K-T | B | 166.5/64.0 |
| C4615 | 4030011600 | S.CER C1608 JB 1E 104K-T | B | 166.5/61.3 |
| C4616 | 4030020010 | S.CER C1005 CH 1H 271J-T | B | 173.5/63.6 |
| C4617 | 4030020010 | S.CER C1005 CH 1H 271J-T | B | 173.5/61.3 |
| C4618 | 4030007080 | S.CER C1608 CH 1H 390J-T | B | 163.1/70.4 |
| C4619 | 4030007090 | S.CER C1608 CH 1H 470J-T | B | 163.1/67.3 |
| C4620 | 4030018620 | S.CER C1608 CH 1H 222J-T | B | 165.2/66.3 |
| C4621 | 4030018620 | S.CER C1608 CH 1H 222J-T | B | 175.4/62.4 |
| C4651 | 4030016930 | S.CER C1005 JB 1A 104K-T | B | 184.1/70.9 |
| C4652 | 4030016930 | S.CER C1005 JB 1A 104K-T | B | 186.9/71.2 |
| C4653 | 4030016930 | S.CER C1005 JB 1A 104K-T | B | 188.5/70.9 |
| C4654 | 4030019460 | S.CER C1608 JB 0J 106M-T | B | 185.8/71.7 |
| C4655 | 4030019460 | S.CER C1608 JB 0J 106M-T | B | 184.6/72.6 |
| C4656 | 4030019460 | S.CER C1608 JB 0J 106M-T | B | 186.8/59.9 |
| C4657 | 4030016930 | S.CER C1005 JB 1A 104K-T | B | 187.1/58.8 |
| C4658 | 4030016930 | S.CER C1005 JB 1A 104K-T | B | 187.3/60.9 |
| C4661 | 4030019560 | S.CER GRM21BB31C106KE15L | B | 171.7/54.4 |
| C4662 | 4030019560 | S.CER GRM21BB31C106KE15L | B | 179.4/59.2 |
| C4663 | 4030019120 | S.CER GRM188B31E105KA75D | B | 185.7/53.9 |
| C4664 | 4030011600 | S.CER C1608 JB 1E 104K-T | B | 182.3/57.6 |
| C4665 | 4030019120 | S.CER GRM188B31E105KA75D | B | 184.5/53.9 |
| C4666 | 4030018620 | S.CER C1608 CH 1H 222J-T | B | 181.5/55.7 |
| C4667 | 4030018600 | S.CER C1608 CH 1H 152J-T | B | 181.6/51.1 |
| C4668 | 4030011340 | S.CER C1608 CH 1H 471J-T | B | 179.6/53.3 |
| C4669 | 4030017870 | S.CER C1608 CH 1H 681J-T | B | 179.5/57.6 |
| C4670 | 4030011340 | S.CER C1608 CH 1H 471J-T | B | 178.8/51.1 |
| C4671 | 4030017870 | S.CER C1608 CH 1H 681J-T | B | 178.7/55.6 |
| C4680 | 4030016930 | S.CER C1005 JB 1A 104K-T | B | 197.3/71.2 |
| C5001 | 4030019460 | S.CER C1608 JB 0J 106M-T | B | 239.5/71.8 |
| C5002 | 4030019460 | S.CER C1608 JB 0J 106M-T | B | 227.3/73.5 |
| C5003 | 4030019460 | S.CER C1608 JB 0J 106M-T | B | 205.1/56.0 |
| C5004 | 4030019460 | S.CER C1608 JB 0J 106M-T | B | 239.9/43.8 |
| C5005 | 4030019460 | S.CER C1608 JB 0J 106M-T | B | 203.9/45.0 |
| C5006 | 4030019460 | S.CER C1608 JB 0J 106M-T | B | 239.9/51.4 |
| C5007 | 4030019460 | S.CER C1608 JB 0J 106M-T | B | 210.5/73.0 |
| C5008 | 4030019460 | S.CER C1608 JB 0J 106M-T | B | 229.0/37.7 |
| C5009 | 4030019460 | S.CER C1608 JB 0J 106M-T | B | 206.1/70.7 |
| C5010 | 4030019460 | S.CER C1608 JB 0J 106M-T | B | 207.8/39.5 |
| C5011 | 4030016930 | S.CER C1005 JB 1A 104K-T | B | 210.2/71.9 |
| C5012 | 4030016930 | S.CER C1005 JB 1A 104K-T | B | 214.3/72.0 |
| C5013 | 4030016930 | S.CER C1005 JB 1A 104K-T | B | 218.6/72.0 |
| C5014 | 4030016930 | S.CER C1005 JB 1A 104K-T | B | 220.3/72.0 |
| C5015 | 4030016930 | S.CER C1005 JB 1A 104K-T | B | 222.0/72.0 |
| C5016 | 4030016930 | S.CER C1005 JB 1A 104K-T | B | 226.5/72.0 |
| C5017 | 4030016930 | S.CER C1005 JB 1A 104K-T | B | 231.0/72.0 |
| C5018 | 4030016930 | S.CER C1005 JB 1A 104K-T | B | 235.5/72.0 |
| C5019 | 4030016930 | S.CER C1005 JB 1A 104K-T | B | 211.8/71.9 |
| C5020 | 4030016930 | S.CER C1005 JB 1A 104K-T | B | 216.9/72.0 |
| C5021 | 4030016930 | S.CER C1005 JB 1A 104K-T | B | 224.8/72.0 |
| C5022 | 4030016930 | S.CER C1005 JB 1A 104K-T | B | 229.4/72.0 |

[MAIN UNIT]

| REF NO. | PARTS NO. | DESCRIPTION | M. | H/V LOCATION |
|---------|------------|--------------------------|----|--------------|
| C5023 | 4030016930 | S.CER C1005 JB 1A 104K-T | B | 233.9/72.0 |
| C5024 | 4030016930 | S.CER C1005 JB 1A 104K-T | B | 206.1/68.6 |
| C5025 | 4030016930 | S.CER C1005 JB 1A 104K-T | B | 238.8/68.7 |
| C5026 | 4030016930 | S.CER C1005 JB 1A 104K-T | B | 238.8/67.1 |
| C5027 | 4030016930 | S.CER C1005 JB 1A 104K-T | B | 206.1/66.9 |
| C5028 | 4030016930 | S.CER C1005 JB 1A 104K-T | B | 238.8/63.9 |
| C5029 | 4030016930 | S.CER C1005 JB 1A 104K-T | B | 238.8/62.3 |
| C5030 | 4030016930 | S.CER C1005 JB 1A 104K-T | B | 206.1/61.4 |
| C5031 | 4030016930 | S.CER C1005 JB 1A 104K-T | B | 206.1/59.7 |
| C5032 | 4030016930 | S.CER C1005 JB 1A 104K-T | B | 238.8/59.7 |
| C5033 | 4030016930 | S.CER C1005 JB 1A 104K-T | B | 238.8/58.1 |
| C5034 | 4030016930 | S.CER C1005 JB 1A 104K-T | B | 238.8/56.0 |
| C5035 | 4030016930 | S.CER C1005 JB 1A 104K-T | B | 206.1/55.5 |
| C5036 | 4030016930 | S.CER C1005 JB 1A 104K-T | B | 205.4/53.8 |
| C5038 | 4030016930 | S.CER C1005 JB 1A 104K-T | B | 238.8/52.8 |
| C5039 | 4030016930 | S.CER C1005 JB 1A 104K-T | B | 238.8/51.2 |
| C5040 | 4030016930 | S.CER C1005 JB 1A 104K-T | B | 238.8/49.6 |
| C5041 | 4030016930 | S.CER C1005 JB 1A 104K-T | B | 205.7/47.7 |
| C5042 | 4030016930 | S.CER C1005 JB 1A 104K-T | B | 238.8/46.9 |
| C5043 | 4030016930 | S.CER C1005 JB 1A 104K-T | B | 205.2/46.5 |
| C5044 | 4030016930 | S.CER C1005 JB 1A 104K-T | B | 206.1/46.5 |
| C5045 | 4030016930 | S.CER C1005 JB 1A 104K-T | B | 205.6/44.9 |
| C5046 | 4030016930 | S.CER C1005 JB 1A 104K-T | B | 206.1/43.3 |
| C5047 | 4030016930 | S.CER C1005 JB 1A 104K-T | B | 205.2/43.3 |
| C5048 | 4030016930 | S.CER C1005 JB 1A 104K-T | B | 238.8/42.4 |
| C5049 | 4030016930 | S.CER C1005 JB 1A 104K-T | B | 213.7/38.9 |
| C5050 | 4030016930 | S.CER C1005 JB 1A 104K-T | B | 217.9/39.3 |
| C5051 | 4030016930 | S.CER C1005 JB 1A 104K-T | B | 223.2/39.0 |
| C5052 | 4030016930 | S.CER C1005 JB 1A 104K-T | B | 231.6/39.2 |
| C5053 | 4030016930 | S.CER C1005 JB 1A 104K-T | B | 233.9/39.3 |
| C5054 | 4030019460 | S.CER C1608 JB 0J 106M-T | B | 201.1/43.9 |
| C5055 | 4030016930 | S.CER C1005 JB 1A 104K-T | B | 209.3/38.6 |
| C5056 | 4030016930 | S.CER C1005 JB 1A 104K-T | B | 210.9/38.6 |
| C5057 | 4030016930 | S.CER C1005 JB 1A 104K-T | B | 212.5/38.6 |
| C5058 | 4030016930 | S.CER C1005 JB 1A 104K-T | B | 216.3/39.3 |
| C5059 | 4030016930 | S.CER C1005 JB 1A 104K-T | B | 219.5/39.3 |
| C5060 | 4030016930 | S.CER C1005 JB 1A 104K-T | B | 224.8/39.0 |
| C5061 | 4030016930 | S.CER C1005 JB 1A 104K-T | B | 228.2/39.2 |
| C5062 | 4030016930 | S.CER C1005 JB 1A 104K-T | B | 235.5/39.3 |
| C5063 | 4030019460 | S.CER C1608 JB 0J 106M-T | B | 198.7/46.4 |
| C5201 | 4030016930 | S.CER C1005 JB 1A 104K-T | B | 256.0/60.7 |
| C5202 | 4030016930 | S.CER C1005 JB 1A 104K-T | B | 256.0/67.8 |
| C5203 | 4030016930 | S.CER C1005 JB 1A 104K-T | B | 256.0/63.9 |
| C5204 | 4030016930 | S.CER C1005 JB 1A 104K-T | B | 256.0/49.5 |
| C5205 | 4550006780 | S.TAN TEESVB2 0J 476M8R | B | 249.8/72.5 |
| C5206 | 4030016930 | S.CER C1005 JB 1A 104K-T | B | 240.7/66.2 |
| C5207 | 4030016930 | S.CER C1005 JB 1A 104K-T | B | 240.9/62.1 |
| C5208 | 4030016930 | S.CER C1005 JB 1A 104K-T | B | 250.2/45.5 |
| C5209 | 4030019460 | S.CER C1608 JB 0J 106M-T | B | 250.9/43.7 |
| C5210 | 4030016930 | S.CER C1005 JB 1A 104K-T | B | 252.1/43.4 |
| C5211 | 4030017380 | S.CER C1005 CH 1H 050B-T | B | 241.0/57.0 |
| C5401 | 4030019560 | S.CER GRM21BB31C106KE15L | B | 168.4/50.9 |
| C5402 | 4030019560 | S.CER GRM21BB31C106KE15L | B | 161.8/42.1 |
| C5403 | 4030019560 | S.CER GRM21BB31C106KE15L | B | 158.4/33.9 |
| C5404 | 4030019560 | S.CER GRM21BB31C106KE15L | B | 165.8/37.2 |
| C5405 | 4030019560 | S.CER GRM21BB31C106KE15L | B | 179.6/48.8 |
| C5406 | 4030019560 | S.CER GRM21BB31C106KE15L | B | 172.8/39.6 |
| C5407 | 4030011600 | S.CER C1608 JB 1E 104K-T | B | 155.8/35.5 |
| C5408 | 4030011600 | S.CER C1608 JB 1E 104K-T | B | 155.2/38.2 |
| C5409 | 4030019560 | S.CER GRM21BB31C106KE15L | B | 172.8/17.1 |
| C5410 | 4030019560 | S.CER GRM21BB31C106KE15L | B | 172.3/20.5 |
| C5411 | 4030019460 | S.CER C1608 JB 0J 106M-T | B | 160.7/48.2 |
| C5412 | 4030019120 | S.CER GRM188B31E105KA75D | B | 174.3/49.0 |
| C5413 | 4030019120 | S.CER GRM188B31E105KA75D | B | 176.6/38.4 |
| C5414 | 4030007080 | S.CER C1608 CH 1H 390J-T | B | 168.5/48.1 |
| C5415 | 4550007480 | S.TAN F930J106MAABMA | | |

[MAIN UNIT]

| REF NO. | PARTS NO. | DESCRIPTION | M. | H/V LOCATION |
|---------|------------|-------------------------------|----|--------------|
| C5487 | 4550006780 | S.TAN TEESVB2 0J 476M8R | B | 166.9/15.1 |
| C5488 | 4550006780 | S.TAN TEESVB2 0J 476M8R | B | 180.8/35.1 |
| C5489 | 4550006780 | S.TAN TEESVB2 0J 476M8R | B | 180.8/38.4 |
| C5490 | 4030019560 | S.CER GRM21BB31C106KE15L | B | 155.9/18.0 |
| C5491 | 4030019560 | S.CER GRM21BB31C106KE15L | B | 163.6/22.8 |
| C5492 | 4030020160 | S.CER C1608 CH 1H 103J-T | B | 175.5/29.7 |
| C5493 | 4030019570 | S.CER C1608 CH 1H 332J-T | B | 161.7/12.6 |
| C5494 | 4030019130 | S.CER C2012 CH 1H 562JT-NS | B | 175.8/32.9 |
| C5495 | 4030018620 | S.CER C1608 CH 1H 222J-T | B | 161.7/13.8 |
| C5496 | 4030018620 | S.CER C1608 CH 1H 222J-T | B | 165.7/19.3 |
| C5497 | 4030018620 | S.CER C1608 CH 1H 222J-T | B | 173.0/26.9 |
| C5498 | 4030018580 | S.CER C1608 CH 1H 821J-T | B | 172.5/34.2 |
| C5499 | 4030018580 | S.CER C1608 CH 1H 821J-T | B | 172.5/31.6 |
| C5500 | 4030018580 | S.CER C1608 CH 1H 821J-T | B | 163.0/16.7 |
| C5501 | 4030018620 | S.CER C1608 CH 1H 222J-T | B | 172.5/29.0 |
| C5502 | 4030018580 | S.CER C1608 CH 1H 821J-T | B | 159.1/14.7 |
| C5503 | 4030017870 | S.CER C1608 CH 1H 681J-T | B | 163.8/21.3 |
| C5504 | 4030017870 | S.CER C1608 CH 1H 681J-T | B | 163.0/19.3 |
| C5505 | 4030019560 | S.CER GRM21BB31C106KE15L | B | 175.8/36.2 |
| C5506 | 4030019990 | S.CER C1005 JB 1C 104K-T | B | 174.4/36.1 |
| C5520 | 4030016930 | S.CER C1005 JB 1A 104K-T | B | 195.8/54.7 |
| C6001 | 4030016930 | S.CER C1005 JB 1A 104K-T | B | 129.8/14.9 |
| C6002 | 4030016930 | S.CER C1005 JB 1A 104K-T | B | 127.3/17.0 |
| C6003 | 4030016930 | S.CER C1005 JB 1A 104K-T | B | 129.8/11.4 |
| C6004 | 4030016930 | S.CER C1005 JB 1A 104K-T | B | 127.3/13.6 |
| C6005 | 4030016930 | S.CER C1005 JB 1A 104K-T | B | 124.0/20.1 |
| C6006 | 4030019460 | S.CER C1608 JB 0J 106M-T | B | 123.0/19.8 |
| C6101 | 4030016930 | S.CER C1005 JB 1A 104K-T | T | 184.6/23.8 |
| C6102 | 4030016930 | S.CER C1005 JB 1A 104K-T | B | 154.3/18.5 |
| C6103 | 4030016930 | S.CER C1005 JB 1A 104K-T | B | 209.0/11.3 |
| J1 | 6510027480 | S.CON S12B-ZR-SM4A-TF(LF)(SN) | T | 221.6/72.8 |
| J2 | 6510027490 | S.CON S11B-ZR-SM4A-TF(LF)(SN) | T | 245.9/72.8 |
| J3 | 6510020081 | S.CON 52808-2071 (2090) | T | 74.8/13.5 |
| J5 | 6510022472 | S.CON 40FLT-SM2-TB(LF)(SN)(M) | T | 189.2/45.5 |
| J6 | 6510025270 | S.CON S6B-PH-SM4-TB(LF)(SN) | T | 133.4/71.8 |
| J7 | 6510023861 | S.CON S9B-ZR-SM4A-TF(LF)(SN) | T | 115.3/72.8 |
| J8 | 6510022472 | S.CON 40FLT-SM2-TB(LF)(SN)(M) | T | 186.3/60.1 |
| J9 | 6510024111 | S.CON 52793-2070 (2090) | T | 44.3/72.9 |
| J10 | 6510027500 | S.CON S11B-PH-SM4-TB(LF)(SN) | T | 50.4/5.2 |
| J11 | 6510024111 | S.CON 52793-2070 (2090) | T | 21.5/4.1 |
| J12 | 6510027460 | S.CON 52793-3070 | T | 200.3/4.1 |
| J13 | 6510019371 | S.CON B3B-ZR-SM4-TF(LF)(SN) | T | 58.3/15.4 |
| J1122 | 6510019971 | S.CON 52808-1071 | T | 233.8/5.8 |
| J3201 | 6510018450 | CON TMP-S01X-B1 | | |
| J3202 | 6510018450 | CON TMP-S01X-B1 | | |
| J3203 | 6510018301 | S.CON S2B-ZR-SM4A-TF(LF)(SN) | T | 86.8/72.8 |
| J3204 | 6510023801 | S.CON S4B-ZR-SM4A-TF(LF)(SN) | T | 67.5/72.8 |
| J3621 | 6510018450 | CON TMP-S01X-B1 | | |
| J3671 | 6510018450 | CON TMP-S01X-B1 | | |
| J3911 | 6510018450 | CON TMP-S01X-B1 | | |
| J6001 | 6510025540 | S.CON AXK724127G | T | 121.5/13.5 |
| J6002 | 6510023861 | S.CON S9B-ZR-SM4A-TF(LF)(SN) | T | 163.5/72.8 |
| EP51 | 6910014640 | S.BEA MPZ2012S221A-T | T | 200.5/41.7 |
| EP52 | 6910014640 | S.BEA MPZ2012S221A-T | T | 198.7/41.7 |
| EP55 | 6910012350 | S.BEA MMZ1608Y 102BT | T | 187.0/42.1 |
| EP56 | 6910012350 | S.BEA MMZ1608Y 102BT | T | 196.0/42.1 |
| EP57 | 6910012350 | S.BEA MMZ1608Y 102BT | T | 195.5/49.0 |
| EP58 | 6910012350 | S.BEA MMZ1608Y 102BT | T | 194.8/42.1 |
| EP103 | 6910014640 | S.BEA MPZ2012S221A-T | T | 137.4/63.8 |
| EP104 | 6910014640 | S.BEA MPZ2012S221A-T | T | 134.4/63.8 |
| EP105 | 6910012350 | S.BEA MMZ1608Y 102BT | T | 130.4/63.8 |
| EP121 | 6910014640 | S.BEA MPZ2012S221A-T | T | 121.3/66.4 |
| EP122 | 6910012350 | S.BEA MMZ1608Y 102BT | T | 119.8/66.8 |
| EP123 | 6910012350 | S.BEA MMZ1608Y 102BT | T | 116.8/66.8 |
| EP124 | 6910012350 | S.BEA MMZ1608Y 102BT | T | 113.8/66.8 |
| EP125 | 6910012350 | S.BEA MMZ1608Y 102BT | T | 110.8/66.8 |
| EP141 | 6910014640 | S.BEA MPZ2012S221A-T | T | 185.2/64.4 |
| EP142 | 6910014640 | S.BEA MPZ2012S221A-T | T | 188.0/63.8 |
| EP143 | 6910014640 | S.BEA MPZ2012S221A-T | T | 187.1/56.3 |
| EP144 | 6910014640 | S.BEA MPZ2012S221A-T | T | 188.8/56.3 |
| EP145 | 6910014640 | S.BEA MPZ2012S221A-T | T | 190.6/56.3 |
| EP146 | 6910014640 | S.BEA MPZ2012S221A-T | T | 192.5/56.3 |
| EP204 | 6910014640 | S.BEA MPZ2012S221A-T | T | 40.8/66.0 |
| EP206 | 6910014640 | S.BEA MPZ2012S221A-T | T | 38.8/66.0 |
| EP208 | 6910014640 | S.BEA MPZ2012S221A-T | T | 35.8/66.0 |
| EP213 | 6910014640 | S.BEA MPZ2012S221A-T | T | 43.8/13.7 |
| EP214 | 6910014640 | S.BEA MPZ2012S221A-T | T | 45.6/13.7 |
| EP215 | 6910014640 | S.BEA MPZ2012S221A-T | T | 47.3/13.7 |
| EP216 | 6910014640 | S.BEA MPZ2012S221A-T | T | 49.1/13.7 |
| EP217 | 6910014640 | S.BEA MPZ2012S221A-T | T | 50.9/13.7 |
| EP218 | 6910014640 | S.BEA MPZ2012S221A-T | T | 52.7/13.7 |
| EP219 | 6910014640 | S.BEA MPZ2012S221A-T | T | 56.1/12.4 |
| EP251 | 6910014640 | S.BEA MPZ2012S221A-T | T | 186.8/10.8 |
| EP254 | 6910014640 | S.BEA MPZ2012S221A-T | T | 188.8/10.8 |
| EP256 | 6910014640 | S.BEA MPZ2012S221A-T | T | 190.8/10.8 |
| EP258 | 6910014640 | S.BEA MPZ2012S221A-T | T | 192.8/10.8 |
| EP260 | 6910014640 | S.BEA MPZ2012S221A-T | T | 194.6/10.8 |
| EP262 | 6910014640 | S.BEA MPZ2012S221A-T | T | 196.4/10.8 |
| EP2001 | 6910014640 | S.BEA MPZ2012S221A-T | T | 28.9/32.5 |
| EP2002 | 6910014640 | S.BEA MPZ2012S221A-T | T | 26.9/59.1 |
| EP3202 | 6910014690 | S.BEA MPZ1608S221A-T | B | 43.6/29.4 |
| EP3203 | 6910014690 | S.BEA MPZ1608S221A-T | B | 44.6/37.7 |
| EP3675 | 6910018460 | S.BEA MMZ1005Y102C-T | T | 92.2/51.0 |
| EP4001 | 6910014690 | S.BEA MPZ1608S221A-T | T | 204.1/52.4 |
| EP4002 | 6910014690 | S.BEA MPZ1608S221A-T | T | 202.9/49.7 |
| EP4003 | 6910014730 | S.BEA MPZ2012S331A-T | T | 195.8/66.6 |
| EP4004 | 6910017350 | S.BEA MMZ1608S601A-T | T | 222.8/63.9 |
| EP4005 | 6910017350 | S.BEA MMZ1608S601A-T | T | 220.4/28.4 |
| EP4006 | 6910015980 | S.BEA MMZ1608S 181CT-AS | T | 203.6/39.0 |
| EP4007 | 6910017350 | S.BEA MMZ1608S601A-T | T | 219.2/28.4 |
| EP4202 | 6910014690 | S.BEA MPZ1608S221A-T | T | 265.8/61.9 |

[MAIN UNIT]

| REF NO. | PARTS NO. | DESCRIPTION | M. | H/V LOCATION |
|---------|------------|-------------------------|----|--------------|
| EP4461 | 6910014690 | S.BEA MPZ1608S221A-T | T | 154.1/33.1 |
| EP4462 | 6910014690 | S.BEA MPZ1608S221A-T | T | 156.2/49.1 |
| EP4601 | 6910014690 | S.BEA MPZ1608S221A-T | B | 188.7/72.6 |
| EP4605 | 6910015980 | S.BEA MMZ1608S 181CT-AS | B | 193.8/73.0 |
| EP4651 | 6910014690 | S.BEA MPZ1608S221A-T | B | 188.7/60.0 |
| EP5001 | 6910014690 | S.BEA MPZ1608S221A-T | B | 198.8/44.6 |
| EP5002 | 6910014690 | S.BEA MPZ1608S221A-T | B | 199.5/48.5 |
| EP5003 | 6910014730 | S.BEA MPZ2012S331A-T | T | 194.9/68.3 |
| EP5035 | 6910017350 | S.BEA MMZ1608S601A-T | B | 205.2/52.8 |
| EP5201 | 6910014690 | S.BEA MPZ1608S221A-T | B | 257.5/50.2 |
| EP5202 | 6910014690 | S.BEA MPZ1608S221A-T | B | 249.7/43.7 |
| EP5451 | 6910014690 | S.BEA MPZ1608S221A-T | B | 188.4/51.8 |
| EP5452 | 6910014690 | S.BEA MPZ1608S221A-T | B | 189.7/28.4 |
| EP5453 | 6910014690 | S.BEA MPZ1608S221A-T | B | 188.7/39.3 |
| EP5454 | 6910014690 | S.BEA MPZ1608S221A-T | B | 187.4/15.9 |
| EP5455 | 6910015980 | S.BEA MMZ1608S 181CT-AS | B | 193.6/51.9 |
| EP6001 | 6910014690 | S.BEA MPZ1608S221A-T | B | 121.7/19.8 |
| EP6002 | 6910014690 | S.BEA MPZ1608S221A-T | B | 120.5/19.8 |
| EP6003 | 6910018460 | S.BEA MMZ1005Y102C-T | B | 124.2/16.0 |
| EP6004 | 6910018460 | S.BEA MMZ1005Y102C-T | B | 123.3/16.0 |
| EP6005 | 6910018460 | S.BEA MMZ1005Y102C-T | B | 122.4/16.0 |
| EP6006 | 6910018460 | S.BEA MMZ1005Y102C-T | B | 121.5/16.0 |
| EP6007 | 6910018460 | S.BEA MMZ1005Y102C-T | B | 120.6/16.0 |
| EP6008 | 6910018460 | S.BEA MMZ1005Y102C-T | B | 119.7/16.0 |
| EP6009 | 6910018460 | S.BEA MMZ1005Y102C-T | B | 118.8/16.0 |
| EP6010 | 6910018460 | S.BEA MMZ1005Y102C-T | B | 117.9/16.0 |
| EP6011 | 6910018460 | S.BEA MMZ1005Y102C-T | B | 125.8/7.3 |
| EP6017 | 6910018460 | S.BEA MMZ1005Y102C-T | B | 117.7/7.3 |
| EP6018 | 6910018460 | S.BEA MMZ1005Y102C-T | B | 118.6/7.3 |
| EP6019 | 6910018460 | S.BEA MMZ1005Y102C-T | B | 119.5/7.3 |
| EP6020 | 6910018460 | S.BEA MMZ1005Y102C-T | B | 120.4/7.3 |
| EP6021 | 6910018460 | S.BEA MMZ1005Y102C-T | B | 121.3/7.3 |
| EP6022 | 6910018460 | S.BEA MMZ1005Y102C-T | B | 122.2/7.3 |
| EP6023 | 6910018460 | S.BEA MMZ1005Y102C-T | B | 123.1/7.3 |
| EP6024 | 6910018460 | S.BEA MMZ1005Y102C-T | B | 124.0/7.3 |
| EP6025 | 6910018460 | S.BEA MMZ1005Y102C-T | B | 124.9/7.3 |
| EP6030 | 6910014690 | S.BEA MPZ1608S221A-T | T | 155.6/66.9 |
| EP6031 | 6910014690 | S.BEA MPZ1608S221A-T | T | 160.5/66.9 |
| EP6032 | 6910014690 | S.BEA MPZ1608S221A-T | T | 163.5/66.9 |
| EP6033 | 6910014690 | S.BEA MPZ1608S221A-T | T | 165.0/66.9 |
| EP6034 | 6910014690 | S.BEA MPZ1608S221A-T | T | 166.5/66.9 |

M.=Mounted side (T: Mounted on the Top side, B: Mounted on the Bottom side)
S.=Surface mount

[CONNECT UNIT]

| REF NO. | PARTS NO. | DESCRIPTION | M. | H/V LOCATION |
|---------|------------|----------------------------------|----|--------------|
| IC21 | 1130011760 | S.IC CD4094BPWR | T | 70.8/6.6 |
| IC22 | 1130011760 | S.IC CD4094BPWR | T | 79.5/6.6 |
| IC151 | 1110004310 | S.IC M62352GP 75EC | T | 88.5/6.9 |
| IC201 | 1140013200 | S.IC CD4053BPWR | T | 137.7/9.9 |
| IC211 | 1140013200 | S.IC CD4053BPWR | T | 120.8/20.7 |
| IC221 | 1110003870 | S.IC NJM2058M-TE1-#ZZZB | B | 137.0/12.8 |
| IC251 | 1110006380 | S.IC LM2904PWR | T | 138.1/3.3 |
| IC281 | 1110005610 | S.IC NJM2058V-TE1-#ZZZB | T | 107.1/24.8 |
| IC301 | 1110006300 | S.IC NJM2172V-TE1-#ZZZB | T | 151.7/8.2 |
| IC341 | 1130013110 | S.IC KIC7W53FK-RTK/P | T | 184.0/37.5 |
| IC342 | 1130013110 | S.IC KIC7W53FK-RTK/P | T | 185.4/41.3 |
| IC351 | 1110007700 | IC LA4600-E | | |
| IC401 | 1110000960 | S.IC NJM4558M-TE1-#FMZB | T | 41.9/7.2 |
| IC501 | 1110006380 | S.IC LM2904PWR | T | 53.0/25.1 |
| IC502 | 1110000960 | S.IC NJM4558M-TE1-#FMZB | T | 62.2/26.7 |
| IC541 | 1140013200 | S.IC CD4053BPWR | T | 72.3/26.6 |
| IC551 | 1190002240 | S.IC PCM2901E/2K | T | 81.2/25.5 |
| IC571 | 1130013010 | S.IC SN74AHC1G08DCK3 | T | 93.0/27.3 |
| IC611 | 1130005721 | S.IC TC7W04F(TE12LF) | B | 119.9/50.6 |
| IC701 | 1180003480 | S.REG NJU7772F33-TE1-#ZZZB | T | 93.2/20.7 |
| IC811 | 1180003480 | S.REG NJU7772F33-TE1-#ZZZB | T | 12.7/23.5 |
| IC821 | 1120003020 | S.IC MAX3221PWR | T | 12.0/34.4 |
| IC901 | 1190002730 | S.IC CP2102-GMR <MAC> | T | 54.4/42.8 |
| IC902 | 1190002911 | S.IC TUSB2046BIVFRG4 | T | 142.0/35.0 |
| IC903 | 1190002730 | S.IC CP2102-GMR <MAC> | T | 7.0/21.4 |
| IC1011 | 1180001072 | S.IC TA7805F(TE16L1NQC) | B | 13.8/8.0 |
| IC1101 | 1180001541 | S.IC TA78L08F(TE12LF) | B | 94.6/34.4 |
| IC1211 | 1140013200 | S.IC CD4053BPWR | T | 21.3/34.7 |
| Q21 | 1590003680 | S.TRA KRC402 RTK/P | T | 65.6/13.1 |
| Q22 | 1590003770 | S.TRA KRA302E-RTK/P | T | 65.9/15.7 |
| Q23 | 1590003680 | S.TRA KRC402 RTK/P | T | 63.1/13.1 |
| Q24 | 1590003770 | S.TRA KRA302E-RTK/P | T | 62.7/15.7 |
| Q25 | 1590003680 | S.TRA KRC402 RTK/P | T | 68.2/13.1 |
| Q26 | 1590003770 | S.TRA KRA302E-RTK/P | T | 69.1/16.0 |
| Q29 | 1590003680 | S.TRA KRC402 RTK/P | T | 70.8/13.1 |
| Q30 | 1590003770 | S.TRA KRA302E-RTK/P | T | 72.5/15.7 |
| Q101 | 1590004030 | S.TRA KRX204U-RTK/P | T | 154.2/46.4 |
| Q102 | 1590004030 | S.TRA KRX204U-RTK/P | T | 166.1/44.4 |
| Q151 | 1540000451 | S.TRA 2SD1623T-TD-E | T | 29.1/4.6 |
| Q221 | 1590001451 | S.FET 2SJ144-GR (TE85RF) | T | 124.1/5.2 |
| Q231 | 1590001451 | S.FET 2SJ144-GR (TE85RF) | T | 125.6/10.7 |
| Q321 | 1560001330 | S.FET RSR025N03 | T | 162.4/29.6 |
| Q331 | 1560001330 | S.FET RSR025N03 | B | 169.9/39.0 |
| Q343 | 1530003900 | S.TRA KTC4075 BL-RTK/P | T | 169.8/34.7 |
| Q344 | 1530003900 | S.TRA KTC4075 BL-RTK/P | T | 176.2/30.4 |
| Q351 | 1590003680 | S.TRA KRC402 RTK/P | T | 186.2/21.7 |
| Q352 | 1540000471 | S.TRA 2SD1801S-TL-E | B | 166.4/7.2 |
| Q353 | 1590003680 | S.TRA KRC402 RTK/P | T | 186.2/24.2 |
| Q361 | 1590003680 | S.TRA KRC402 RTK/P | T | 158.0/20.7 |
| Q371 | 1590003680 | S.TRA KRC402 RTK/P | T | 172.0/22.6 |
| Q372 | 1590003680 | S.TRA KRC402 RTK/P | T | 141.3/27.9 |
| Q501 | 1590001451 | S.FET 2SJ144-GR (TE85RF) | T | 53.7/34.9 |
| Q521 | 1590001451 | S.FET 2SJ144-GR (TE85RF) | T | 58.3/15.9 |
| Q541 | 1590003680 | S.TRA KRC402 RTK/P | T | 73.6/21.4 |
| Q611 | 1590001650 | S.TRA XP4601(TX) | T | 123.3/48.5 |
| Q651 | 1590003680 | S.TRA KRC402 RTK/P | T | 89.9/30.0 |
| Q821 | 1590003680 | S.TRA KRC402 RTK/P | B | 7.8/29.5 |
| Q822 | 1590003770 | S.TRA KRA302E-RTK/P | T | 9.1/29.3 |
| Q901 | 1590003680 | S.TRA KRC402 RTK/P | T | 50.6/38.6 |
| Q902 | 1590003680 | S.TRA KRC402 RTK/P | T | 5.5/16.7 |
| Q903 | 1590003680 | S.TRA KRC402 RTK/P | T | 9.3/16.7 |
| Q1101 | 1530003900 | S.TRA KTC4075 BL-RTK/P | T | 100.9/35.1 |
| Q1106 | 1530003900 | S.TRA KTC4075 BL-RTK/P | T | 100.9/41.2 |
| Q1111 | 1590003680 | S.TRA KRC402 RTK/P | T | 97.0/41.9 |
| Q1201 | 1590003680 | S.TRA KRC402 RTK/P | T | 30.7/37.0 |
| Q1401 | 1590003680 | S.TRA KRC402 RTK/P | T | 72.7/32.8 |
| Q1411 | 1590003770 | S.TRA KRA302E-RTK/P | T | 105.7/33.1 |
| Q1412 | 1540000441 | S.TRA 2SD1619T-TD-E | T | 125.8/27.0 |
| Q1421 | 1530003900 | S.TRA KTC4075 BL-RTK/P | T | 110.7/32.9 |
| Q1431 | 1590003680 | S.TRA KRC402 RTK/P | T | 123.5/44.7 |
| D101 | 1750001180 | S.DIO KDS122 RTK/P | T | 154.4/43.9 |
| D103 | 1750001180 | S.DIO KDS122 RTK/P | B | 166.5/41.2 |
| D251 | 1750001320 | S.DIO KDS4148U RTK/P | T | 145.7/2.9 |
| D261 | 1750001320 | S.DIO KDS4148U RTK/P | T | 130.5/3.7 |
| D361 | 1750001320 | S.DIO KDS4148U RTK/P | T | 158.6/23.5 |
| D371 | 1750001320 | S.DIO KDS4148U RTK/P | T | 172.3/25.7 |
| D372 | 1750001320 | S.DIO KDS4148U RTK/P | T | 144.8/27.7 |
| D501 | 1750001320 | S.DIO KDS4148U RTK/P | T | 56.7/29.1 |
| D502 | 1730002830 | S.ZEN DZJ051M0L | T | 59.3/31.5 |
| D521 | 1750001320 | S.DIO KDS4148U RTK/P | T | 54.5/19.1 |
| D611 | 1750001320 | S.DIO KDS4148U RTK/P | B | 125.5/47.4 |
| D821 | 1750001710 | S.DIO RB751V-40 TE-17 | T | 5.2/27.1 |
| D901 | 1750001180 | S.DIO KDS122 RTK/P | B | 148.6/38.9 |
| D902 | 1750001180 | S.DIO KDS122 RTK/P | T | 148.0/39.9 |
| D1101 | 1750001320 | S.DIO KDS4148U RTK/P | T | 97.3/38.0 |
| D1106 | 1750001320 | S.DIO KDS4148U RTK/P | B | 103.9/43.1 |
| D1201 | 1750001320 | S.DIO KDS4148U RTK/P | B | 16.6/36.7 |
| D1401 | 1750001320 | S.DIO KDS4148U RTK/P | B | 75.7/39.8 |
| D1421 | 1750001320 | S.DIO KDS4148U RTK/P | T | 117.5/33.9 |
| D1431 | 1750001320 | S.DIO KDS4148U RTK/P | B | 123.8/43.8 |
| D1432 | 1750001320 | S.DIO KDS4148U RTK/P | B | 118.0/31.9 |
| D1433 | 1750001320 | S.DIO KDS4148U RTK/P | T | 116.4/30.0 |
| X551 | 6050012770 | S.XTA CR-870 DSX321G 12 MHz<KDS> | T | 81.9/33.7 |
| X901 | 6050012970 | S.XTA CR-890 TSS-2 6 MHz | T | 152.8/37.5 |
| L101 | 6200009300 | S.COI ELJPA 100KF 10U | B | 144.65/27.65 |
| L304 | 6200002041 | S.COI NLV25T-101J | B | 153.0/12.2 |
| L351 | 6170000140 | COI LW-15 | | |

[CONNECT UNIT]

| REF NO. | PARTS NO. | DESCRIPTION | M. | H/V LOCATION |
|---------|--------------|-----------------------------|----|--------------|
| L1102 | 6200002041 | S.COI NLV25T-101J | B | 100.8/39.0 |
| L1103 | 6200002041 | S.COI NLV25T-101J | B | 109.3/32.9 |
| L1106 | 6200002041 | S.COI NLV25T-101J | B | 114.3/45.2 |
| L1107 | 6200002041 | S.COI NLV25T-101J | B | 118.5/43.2 |
| L1109 | 6200002041 | S.COI NLV25T-101J | B | 110.4/46.1 |
| L1201 | 6200002041 | S.COI NLV25T-101J | B | 17.7/39.7 |
| L1202 | 6200002041 | S.COI NLV25T-101J | B | 21.0/40.4 |
| L1203 | 6200002041 | S.COI NLV25T-101J | B | 29.4/39.7 |
| L1301 | 6200003261 | S.COI NLV32T-101J | B | 48.7/32.0 |
| L1401 | 6200002041 | S.COI NLV25T-101J | B | 82.1/44.3 |
| R1 | 7030003320 | S.RES ERJ3GEYJ 101 V (100) | T | 93.7/24.2 |
| R21 | 7030003320 | S.RES ERJ3GEYJ 101 V (100) | T | 74.4/11.3 |
| R22 | 7030003320 | S.RES ERJ3GEYJ 101 V (100) | T | 81.3/11.3 |
| R23 | 7030003560 | S.RES ERJ3GEYJ 103 V (10K) | T | 64.3/15.8 |
| R24 | 7030003560 | S.RES ERJ3GEYJ 103 V (10K) | T | 61.1/15.8 |
| R25 | 7030003560 | S.RES ERJ3GEYJ 103 V (10K) | T | 67.5/15.8 |
| R26 | 7030003560 | S.RES ERJ3GEYJ 103 V (10K) | T | 70.9/15.8 |
| R31 | 7030003560 | S.RES ERJ3GEYJ 103 V (10K) | T | 79.7/2.7 |
| R100 | 7030003860 | S.RES ERJ3GE JPW V | B | 156.5/34.2 |
| R102 | 7030003540 | S.RES ERJ3GEYJ 682 V (6.8K) | B | 155.9/43.0 |
| R103 | 7030003380 | S.RES ERJ3GEYJ 331 V (330) | B | 165.0/49.1 |
| R104 | 7030003400 | S.RES ERJ3GEYJ 471 V (470) | B | 154.2/41.2 |
| R105 | 7030003400 | S.RES ERJ3GEYJ 471 V (470) | B | 177.0/40.0 |
| R106 | 7030003540 | S.RES ERJ3GEYJ 682 V (6.8K) | B | 177.8/41.6 |
| R107 | 7030003380 | S.RES ERJ3GEYJ 331 V (330) | B | 186.1/48.3 |
| R151 | 7030003400 | S.RES ERJ3GEYJ 471 V (470) | T | 32.2/5.6 |
| R201 | 7030003620 | S.RES ERJ3GEYJ 333 V (33K) | B | 125.2/15.1 |
| R202 | 7030003620 | S.RES ERJ3GEYJ 333 V (33K) | T | 125.4/16.9 |
| R203 | 7030003320 | S.RES ERJ3GEYJ 101 V (100) | T | 131.6/7.5 |
| R204 | 7030003560 | S.RES ERJ3GEYJ 103 V (10K) | T | 143.0/10.8 |
| R205 | 7030003560 | S.RES ERJ3GEYJ 103 V (10K) | T | 144.0/13.1 |
| R206 | 7030003560 | S.RES ERJ3GEYJ 103 V (10K) | T | 143.2/8.4 |
| R208 | 7030003560 | S.RES ERJ3GEYJ 103 V (10K) | T | 139.7/6.5 |
| R210 | 7030003600 | S.RES ERJ3GEYJ 223 V (22K) | B | 123.7/19.8 |
| R211 | 7030003560 | S.RES ERJ3GEYJ 103 V (10K) | T | 126.4/21.4 |
| R212 | 7030003560 | S.RES ERJ3GEYJ 103 V (10K) | T | 126.4/23.8 |
| R213 | 7030003320 | S.RES ERJ3GEYJ 101 V (100) | T | 122.9/15.4 |
| R214 | 7030003630 | S.RES ERJ3GEYJ 393 V (39K) | B | 123.6/17.1 |
| R215 | 7030003630 | S.RES ERJ3GEYJ 393 V (39K) | T | 126.6/15.7 |
| R220 | 7030003600 | S.RES ERJ3GEYJ 223 V (22K) | B | 126.0/10.7 |
| R221 | 7030003480 | S.RES ERJ3GEYJ 222 V (2.2K) | B | 131.9/7.2 |
| R222 | 7030003560 | S.RES ERJ3GEYJ 103 V (10K) | B | 131.9/10.0 |
| R223 | 7030003460 | S.RES ERJ3GEYJ 152 V (1.5K) | B | 126.0/12.3 |
| R224 | 7030003560 | S.RES ERJ3GEYJ 103 V (10K) | T | 126.5/6.1 |
| R225 | 7030003560 | S.RES ERJ3GEYJ 103 V (10K) | T | 126.5/4.9 |
| R226 | 7030003440 | S.RES ERJ3GEYJ 102 V (1K) | T | 122.2/5.3 |
| R227 | 7030003480 | S.RES ERJ3GEYJ 222 V (2.2K) | T | 122.2/7.9 |
| R229 | 7030003580 | S.RES ERJ3GEYJ 153 V (15K) | T | 126.4/3.1 |
| R231 | 7030003480 | S.RES ERJ3GEYJ 222 V (2.2K) | T | 132.9/9.6 |
| R232 | 7030003560 | S.RES ERJ3GEYJ 103 V (10K) | B | 131.9/15.6 |
| R233 | 7030003460 | S.RES ERJ3GEYJ 152 V (1.5K) | B | 123.6/12.3 |
| R234 | 7030003560 | S.RES ERJ3GEYJ 103 V (10K) | T | 126.5/12.7 |
| R235 | 7030003560 | S.RES ERJ3GEYJ 103 V (10K) | T | 127.5/10.9 |
| R236 | 7030003440 | S.RES ERJ3GEYJ 102 V (1K) | T | 123.7/9.2 |
| R237 | 7030003480 | S.RES ERJ3GEYJ 222 V (2.2K) | T | 123.7/11.8 |
| R239 | 7030003580 | S.RES ERJ3GEYJ 153 V (15K) | T | 127.9/8.7 |
| R241 | 7030003320 | S.RES ERJ3GEYJ 101 V (100) | T | 130.6/10.3 |
| R242 | 7030003320 | S.RES ERJ3GEYJ 101 V (100) | B | 144.9/13.2 |
| R251 | 7030003780 | S.RES ERJ3GEYJ 684 V (680K) | T | 144.1/2.6 |
| R252 | 7030003510 | S.RES ERJ3GEYJ 392 V (3.9K) | T | 142.9/6.2 |
| R253 | 7030003560 | S.RES ERJ3GEYJ 103 V (10K) | T | 143.3/4.5 |
| R254 | 7030003460 | S.RES ERJ3GEYJ 152 V (1.5K) | B | 138.8/4.8 |
| R261 | 7030003780 | S.RES ERJ3GEYJ 684 V (680K) | T | 132.1/3.4 |
| R262 | 7030003510 | S.RES ERJ3GEYJ 392 V (3.9K) | T | 133.3/4.3 |
| R263 | 7030003560 | S.RES ERJ3GEYJ 103 V (10K) | T | 134.1/5.3 |
| R264 | 7030003460 | S.RES ERJ3GEYJ 152 V (1.5K) | B | 135.3/4.1 |
| R271 | 7030003320 | S.RES ERJ3GEYJ 101 V (100) | T | 131.7/1.3 |
| R281 | 7030003320 | S.RES ERJ3GEYJ 101 V (100) | T | 105.8/21.0 |
| R282 | 7030003320 | S.RES ERJ3GEYJ 101 V (100) | T | 108.5/21.0 |
| R283 | 7030003740 | S.RES ERJ3GEYJ 334 V (330K) | T | 110.0/17.4 |
| R284 | 7030003800 | S.RES ERJ3GEYJ 105 V (1M) | T | 111.2/20.1 |
| R285 | 7030003740 | S.RES ERJ3GEYJ 334 V (330K) | T | 110.0/20.1 |
| R286 | 7030003440 | S.RES ERJ3GEYJ 102 V (1K) | T | 113.4/28.8 |
| R287 | 7030003590 | S.RES ERJ3GEYJ 183 V (18K) | T | 112.7/26.9 |
| R288 | 7030003560 | S.RES ERJ3GEYJ 103 V (10K) | T | 114.6/27.1 |
| R291 | 7030003700 | S.RES ERJ3GEYJ 154 V (150K) | T | 100.0/20.1 |
| R292 | 7030003700 | S.RES ERJ3GEYJ 154 V (150K) | T | 101.2/22.5 |
| R293 | 7030003700 | S.RES ERJ3GEYJ 154 V (150K) | T | 102.4/23.6 |
| R301 | 7030003470 | S.RES ERJ3GEYJ 182 V (1.8K) | B | 155.6/18.8 |
| R302 | 7030003460 | S.RES ERJ3GEYJ 152 V (1.5K) | B | 160.3/31.2 |
| R303 | 7030003600 | S.RES ERJ3GEYJ 223 V (22K) | T | 151.6/2.9 |
| R304 | 7030003590 | S.RES ERJ3GEYJ 183 V (18K) | T | 154.8/1.7 |
| R305 | 7030003590 | S.RES ERJ3GEYJ 183 V (18K) | T | 154.8/2.9 |
| R306 | 7030003600 | S.RES ERJ3GEYJ 223 V (22K) | T | 150.2/4.8 |
| R307 | 7030003590 | S.RES ERJ3GEYJ 183 V (18K) | T | 149.8/1.7 |
| R308 | 7030003590 | S.RES ERJ3GEYJ 183 V (18K) | T | 149.7/3.6 |
| R309 | 7030003470</ | | | |

[CONNECT UNIT]

| REF NO. | PARTS NO. | DESCRIPTION | M. | H/V LOCATION |
|---------|------------|-----------------------------|----|--------------|
| R343 | 7030003320 | S.RES ERJ3GEYJ 101 V (100) | B | 176.0/36.6 |
| R344 | 7030003400 | S.RES ERJ3GEYJ 471 V (470) | T | 172.7/28.5 |
| R345 | 7030003400 | S.RES ERJ3GEYJ 471 V (470) | T | 167.1/33.7 |
| R346 | 7030003580 | S.RES ERJ3GEYJ 153 V (15K) | T | 167.4/35.8 |
| R347 | 7030003580 | S.RES ERJ3GEYJ 153 V (15K) | T | 169.3/36.8 |
| R348 | 7030003400 | S.RES ERJ3GEYJ 471 V (470) | T | 178.2/30.5 |
| R349 | 7030003580 | S.RES ERJ3GEYJ 153 V (15K) | T | 177.9/28.5 |
| R350 | 7030003580 | S.RES ERJ3GEYJ 153 V (15K) | T | 175.3/28.5 |
| R351 | 7030003350 | S.RES ERJ3GEYJ 181 V (180) | B | 168.5/34.4 |
| R352 | 7030003480 | S.RES ERJ3GEYJ 222 V (2.2K) | B | 185.1/28.3 |
| R353 | 7030003560 | S.RES ERJ3GEYJ 103 V (10K) | B | 186.7/23.3 |
| R356 | 7030003380 | S.RES ERJ3GEYJ 331 V (330) | T | 185.1/27.3 |
| R359 | 7030003280 | S.RES ERJ3GEYJ 470 V (47) | B | 171.3/11.6 |
| R360 | 7030003400 | S.RES ERJ3GEYJ 471 V (470) | B | 168.7/28.5 |
| R370 | 7030003400 | S.RES ERJ3GEYJ 471 V (470) | B | 183.3/29.0 |
| R371 | 7030003400 | S.RES ERJ3GEYJ 471 V (470) | T | 170.9/28.9 |
| R400 | 7030003320 | S.RES ERJ3GEYJ 101 V (100) | T | 48.1/5.8 |
| R401 | 7030003680 | S.RES ERJ3GEYJ 104 V (100K) | T | 46.8/7.1 |
| R402 | 7030003680 | S.RES ERJ3GEYJ 104 V (100K) | T | 42.9/3.6 |
| R403 | 7030003400 | S.RES ERJ3GEYJ 471 V (470) | T | 48.1/8.4 |
| R404 | 7030003540 | S.RES ERJ3GEYJ 682 V (6.8K) | B | 138.2/6.4 |
| R405 | 7030003700 | S.RES ERJ3GEYJ 154 V (150K) | B | 142.1/9.3 |
| R408 | 7030003680 | S.RES ERJ3GEYJ 104 V (100K) | B | 146.8/10.4 |
| R409 | 7030003560 | S.RES ERJ3GEYJ 103 V (10K) | B | 150.8/15.3 |
| R410 | 7030003600 | S.RES ERJ3GEYJ 223 V (22K) | B | 146.9/13.2 |
| R412 | 7030003680 | S.RES ERJ3GEYJ 104 V (100K) | B | 145.3/16.4 |
| R413 | 7030003560 | S.RES ERJ3GEYJ 103 V (10K) | B | 150.0/18.6 |
| R414 | 7030003600 | S.RES ERJ3GEYJ 223 V (22K) | B | 152.6/19.7 |
| R415 | 7030003700 | S.RES ERJ3GEYJ 154 V (150K) | B | 142.1/9.6 |
| R417 | 7030003540 | S.RES ERJ3GEYJ 682 V (6.8K) | B | 138.2/19.0 |
| R418 | 7030003320 | S.RES ERJ3GEYJ 101 V (100) | T | 46.8/9.9 |
| R419 | 7030003320 | S.RES ERJ3GEYJ 101 V (100) | T | 36.3/5.3 |
| R421 | 7030003660 | S.RES ERJ3GEYJ 683 V (68K) | B | 42.1/6.6 |
| R422 | 7030003660 | S.RES ERJ3GEYJ 683 V (68K) | B | 42.1/4.5 |
| R423 | 7030003570 | S.RES ERJ3GEYJ 123 V (12K) | T | 40.8/10.7 |
| R424 | 7030003680 | S.RES ERJ3GEYJ 104 V (100K) | T | 37.0/8.0 |
| R425 | 7030003400 | S.RES ERJ3GEYJ 471 V (470) | T | 35.7/8.4 |
| R501 | 7030003480 | S.RES ERJ3GEYJ 222 V (2.2K) | T | 50.1/35.0 |
| R502 | 7030003440 | S.RES ERJ3GEYJ 102 V (1K) | T | 51.6/35.0 |
| R504 | 7030003580 | S.RES ERJ3GEYJ 153 V (15K) | T | 55.7/33.2 |
| R505 | 7030003790 | S.RES ERJ3GEYJ 824 V (820K) | T | 55.1/28.8 |
| R506 | 7030003510 | S.RES ERJ3GEYJ 392 V (3.9K) | T | 53.2/30.1 |
| R507 | 7030003460 | S.RES ERJ3GEYJ 152 V (1.5K) | B | 51.9/25.5 |
| R508 | 7030003560 | S.RES ERJ3GEYJ 103 V (10K) | T | 51.1/28.8 |
| R509 | 7030003560 | S.RES ERJ3GEYJ 103 V (10K) | T | 56.4/37.0 |
| R510 | 7030003560 | S.RES ERJ3GEYJ 103 V (10K) | T | 56.4/35.8 |
| R511 | 7030003460 | S.RES ERJ3GEYJ 152 V (1.5K) | T | 63.5/33.9 |
| R512 | 7030003660 | S.RES ERJ3GEYJ 683 V (68K) | T | 63.5/31.5 |
| R513 | 7030003450 | S.RES ERJ3GEYJ 122 V (1.2K) | T | 66.3/30.7 |
| R514 | 7030003320 | S.RES ERJ3GEYJ 101 V (100) | T | 56.9/22.9 |
| R515 | 7030003320 | S.RES ERJ3GEYJ 101 V (100) | T | 66.4/23.3 |
| R516 | 7030003400 | S.RES ERJ3GEYJ 471 V (470) | T | 68.5/31.5 |
| R517 | 7030003410 | S.RES ERJ3GEYJ 561 V (560) | T | 58.8/29.1 |
| R521 | 7030003480 | S.RES ERJ3GEYJ 222 V (2.2K) | T | 55.4/13.8 |
| R522 | 7030003440 | S.RES ERJ3GEYJ 102 V (1K) | T | 56.2/15.7 |
| R524 | 7030003580 | S.RES ERJ3GEYJ 153 V (15K) | T | 59.2/18.4 |
| R525 | 7030003790 | S.RES ERJ3GEYJ 824 V (820K) | T | 54.2/20.7 |
| R526 | 7030003510 | S.RES ERJ3GEYJ 392 V (3.9K) | T | 52.3/19.9 |
| R527 | 7030003460 | S.RES ERJ3GEYJ 152 V (1.5K) | B | 51.4/22.6 |
| R528 | 7030003560 | S.RES ERJ3GEYJ 103 V (10K) | T | 51.1/21.4 |
| R529 | 7030003560 | S.RES ERJ3GEYJ 103 V (10K) | T | 58.8/22.8 |
| R530 | 7030003560 | S.RES ERJ3GEYJ 103 V (10K) | T | 59.6/21.8 |
| R531 | 7030003460 | S.RES ERJ3GEYJ 152 V (1.5K) | T | 61.6/19.0 |
| R532 | 7030003660 | S.RES ERJ3GEYJ 683 V (68K) | T | 62.3/22.1 |
| R533 | 7030003450 | S.RES ERJ3GEYJ 122 V (1.2K) | T | 65.0/22.1 |
| R534 | 7030003400 | S.RES ERJ3GEYJ 471 V (470) | T | 66.5/20.9 |
| R541 | 7030003320 | S.RES ERJ3GEYJ 101 V (100) | T | 67.1/28.8 |
| R542 | 7030003560 | S.RES ERJ3GEYJ 103 V (10K) | T | 74.7/18.3 |
| R543 | 7030003560 | S.RES ERJ3GEYJ 103 V (10K) | T | 72.8/18.8 |
| R544 | 7030003560 | S.RES ERJ3GEYJ 103 V (10K) | B | 72.2/28.0 |
| R545 | 7030003560 | S.RES ERJ3GEYJ 103 V (10K) | B | 68.0/26.7 |
| R546 | 7030003560 | S.RES ERJ3GEYJ 103 V (10K) | B | 67.6/23.0 |
| R551 | 7030003800 | S.RES ERJ3GEYJ 105 V (1M) | T | 89.9/33.1 |
| R561 | 7030003800 | S.RES ERJ3GEYJ 105 V (1M) | B | 81.5/30.9 |
| R562 | 7030003490 | S.RES ERJ3GEYJ 272 V (2.7K) | B | 84.5/31.8 |
| R611 | 7030003570 | S.RES ERJ3GEYJ 123 V (12K) | T | 123.3/51.7 |
| R612 | 7030003860 | S.RES ERJ3GE JPW V | T | 134.3/47.1 |
| R613 | 7030003640 | S.RES ERJ3GEYJ 473 V (47K) | B | 123.9/49.7 |
| R614 | 7030003680 | S.RES ERJ3GEYJ 104 V (100K) | B | 101.6/52.9 |
| R615 | 7030003680 | S.RES ERJ3GEYJ 104 V (100K) | B | 98.6/52.9 |
| R616 | 7030003560 | S.RES ERJ3GEYJ 103 V (10K) | T | 123.3/50.4 |
| R617 | 7030003590 | S.RES ERJ3GEYJ 183 V (18K) | B | 122.7/47.3 |
| R618 | 7030003860 | S.RES ERJ3GE JPW V | T | 134.3/44.0 |
| R651 | 7030003560 | S.RES ERJ3GEYJ 103 V (10K) | T | 92.1/30.9 |
| R681 | 7030003460 | S.RES ERJ3GEYJ 152 V (1.5K) | T | 90.8/27.6 |
| R702 | 7030003320 | S.RES ERJ3GEYJ 101 V (100) | T | 91.1/16.4 |
| R703 | 7030003200 | S.RES ERJ3GEYJ 100 V (10) | T | 89.8/23.5 |
| R750 | 7030003440 | S.RES ERJ3GEYJ 102 V (1K) | T | 101.6/17.9 |
| R811 | 7030003320 | S.RES ERJ3GEYJ 101 V (100) | T | 15.7/25.8 |
| R813 | 7030003200 | S.RES ERJ3GEYJ 100 V (10) | B | 18.3/21.8 |
| R821 | 7030003320 | S.RES ERJ3GEYJ 101 V (100) | T | 8.6/34.4 |
| R822 | 7030003320 | S.RES ERJ3GEYJ 101 V (100) | T | 12.9/28.5 |
| R823 | 7030003320 | S.RES ERJ3GEYJ 101 V (100) | T | 9.8/39.8 |
| R831 | 7030003560 | S.RES ERJ3GEYJ 103 V (10K) | T | 10.8/29.3 |
| R832 | 7030003560 | S.RES ERJ3GEYJ 103 V (10K) | T | 5.5/25.6 |
| R901 | 7030003460 | S.RES ERJ3GEYJ 152 V (1.5K) | B | 146.9/36.5 |
| R902 | 7030003520 | S.RES ERJ3GEYJ 472 V (4.7K) | B | 52.1/38.0 |
| R903 | 7030003560 | S.RES ERJ3GEYJ 103 V (10K) | T | 54.4/38.7 |
| R904 | 7030003460 | S.RES ERJ3GEYJ 152 V (1.5K) | T | 149.4/34.8 |
| R905 | 7030003800 | S.RES ERJ3GEYJ 105 V (1M) | B | 149.9/34.9 |
| R906 | 7030003680 | S.RES ERJ3GEYJ 104 V (100K) | B | 144.9/38.6 |
| R907 | 7030003580 | S.RES ERJ3GEYJ 153 V (15K) | B | 139.8/36.3 |
| R908 | 7030003580 | S.RES ERJ3GEYJ 153 V (15K) | B | 139.5/41.0 |
| R910 | 7030003250 | S.RES ERJ3GEYJ 270 V (27) | B | 141.5/33.0 |
| R911 | 7030003250 | S.RES ERJ3GEYJ 270 V (27) | B | 138.8/38.6 |

[CONNECT UNIT]

| REF NO. | PARTS NO. | DESCRIPTION | M. | H/V LOCATION |
|---------|------------|-----------------------------|----|--------------|
| R912 | 7030003250 | S.RES ERJ3GEYJ 270 V (27) | B | 137.4/41.9 |
| R913 | 7030003250 | S.RES ERJ3GEYJ 270 V (27) | B | 131.8/29.8 |
| R914 | 7030003250 | S.RES ERJ3GEYJ 270 V (27) | T | 135.4/28.6 |
| R915 | 7030003580 | S.RES ERJ3GEYJ 153 V (15K) | T | 132.6/27.9 |
| R916 | 7030003580 | S.RES ERJ3GEYJ 153 V (15K) | T | 134.2/27.1 |
| R918 | 7030003580 | S.RES ERJ3GEYJ 153 V (15K) | B | 141.4/34.6 |
| R920 | 7030003250 | S.RES ERJ3GEYJ 270 V (27) | B | 139.1/30.2 |
| R921 | 7030003580 | S.RES ERJ3GEYJ 153 V (15K) | B | 141.5/31.3 |
| R923 | 7030003520 | S.RES ERJ3GEYJ 472 V (4.7K) | B | 5.6/19.5 |
| R924 | 7030003560 | S.RES ERJ3GEYJ 103 V (10K) | T | 11.2/16.5 |
| R925 | 7030003860 | S.RES ERJ3GE JPW V | T | 53.0/47.8 |
| R931 | 7030003560 | S.RES ERJ3GEYJ 103 V (10K) | T | 48.6/27.9 |
| R932 | 7030003560 | S.RES ERJ3GEYJ 103 V (10K) | T | 2.8/16.2 |
| R1001 | 7030003320 | S.RES ERJ3GEYJ 101 V (100) | T | 115.4/6.0 |
| R1002 | 7030003320 | S.RES ERJ3GEYJ 101 V (100) | T | 115.4/13.5 |
| R1003 | 7030003320 | S.RES ERJ3GEYJ 101 V (100) | T | 112.7/13.5 |
| R1004 | 7030003320 | S.RES ERJ3GEYJ 101 V (100) | T | 111.8/6.0 |
| R1005 | 7030003320 | S.RES ERJ3GEYJ 101 V (100) | T | 111.5/13.5 |
| R1006 | 7030003320 | S.RES ERJ3GEYJ 101 V (100) | T | 109.4/6.0 |
| R1007 | 7030003320 | S.RES ERJ3GEYJ 101 V (100) | T | 109.1/13.5 |
| R1008 | 7030003320 | S.RES ERJ3GEYJ 101 V (100) | T | 108.2/6.0 |
| R1009 | 7030003320 | S.RES ERJ3GEYJ 101 V (100) | T | 107.9/13.5 |
| R1010 | 7030003320 | S.RES ERJ3GEYJ 101 V (100) | T | 107.0/6.0 |
| R1011 | 7030003320 | S.RES ERJ3GEYJ 101 V (100) | T | 105.8/6.0 |
| R1012 | 7030003320 | S.RES ERJ3GEYJ 101 V (100) | T | 104.6/6.0 |
| R1013 | 7030003320 | S.RES ERJ3GEYJ 101 V (100) | T | 105.5/13.5 |
| R1014 | 7030003320 | S.RES ERJ3GEYJ 101 V (100) | T | 104.3/13.5 |
| R1016 | 7030003440 | S.RES ERJ3GEYJ 102 V (1K) | T | 103.1/13.5 |
| R1017 | 7030003440 | S.RES ERJ3GEYJ 102 V (1K) | T | 102.2/6.0 |
| R1018 | 7030003320 | S.RES ERJ3GEYJ 101 V (100) | T | 101.9/13.5 |
| R1019 | 7030003440 | S.RES ERJ3GEYJ 102 V (1K) | T | 101.0/6.0 |
| R1020 | 7030003440 | S.RES ERJ3GEYJ 102 V (1K) | T | 100.7/13.5 |
| R1021 | 7030003320 | S.RES ERJ3GEYJ 101 V (100) | T | 99.8/6.0 |
| R1022 | 7030003320 | S.RES ERJ3GEYJ 101 V (100) | T | 99.5/13.5 |
| R1023 | 7030003320 | S.RES ERJ3GEYJ 101 V (100) | T | 106.7/13.5 |
| R1024 | 7030003200 | S.RES ERJ3GEYJ 100 V (10) | T | 110.6/6.0 |
| R1025 | 7030003860 | S.RES ERJ3GE JPW V | T | 110.3/13.5 |
| R1029 | 7030003520 | S.RES ERJ3GEYJ 472 V (4.7K) | T | 33.2/14.4 |
| R1030 | 7030003520 | S.RES ERJ3GEYJ 472 V (4.7K) | T | 37.1/14.4 |
| R1031 | 7030010410 | S.RES ERJ1TYJ 220U (22) | B | 23.0/6.8 |
| R1032 | 7030010410 | S.RES ERJ1TYJ 220U (22) | B | 22.2/2.6 |
| R1101 | 7030003440 | S.RES ERJ3GEYJ 102 V (1K) | T | 101.0/37.0 |
| R1102 | 7030003480 | S.RES ERJ3GEYJ 222 V (2.2K) | T | 98.9/37.0 |
| R1106 | 7030003620 | S.RES ERJ3GEYJ 333 V (33K) | B | 100.1/44.3 |
| R1107 | 7030003580 | S.RES ERJ3GEYJ 153 V (15K) | B | 100.8/41.5 |
| R1108 | 7030003520 | S.RES ERJ3GEYJ 472 V (4.7K) | T | 100.4/31.9 |
| R1109 | 7030003520 | S.RES ERJ3GEYJ 472 V (4.7K) | B | 103.1/45.1 |
| R1111 | 7030003560 | S.RES ERJ3GEYJ 822 V (8.2K) | B | 106.6/45.1 |
| R1201 | 7030003550 | S.RES ERJ3GEYJ 822 V (8.2K) | T | 28.8/36.9 |
| R1202 | 7030003500 | S.RES ERJ3GEYJ 332 V (3.3K) | B | 20.0/30.9 |
| R1203 | 7030003500 | S.RES ERJ3GEYJ 332 V (3.3K) | B | 18.2/34.1 |
| R1204 | 7030003440 | S.RES ERJ3GEYJ 102 V (1K) | B | 17.4/31.8 |
| R1211 | 7030003320 | S.RES ERJ3GEYJ 101 V (100) | T | 25.9/32.0 |
| R1212 | 7030003560 | S.RES ERJ3GEYJ 103 V (10K) | T | 26.7/34.6 |
| R1213 | 7030003560 | S.RES ERJ3GEYJ 103 V (10K) | T | 27.2/36.9 |
| R1401 | 7030003200 | S.RES ERJ3GEYJ 100 V (10) | B | 79.9/39.8 |
| R1411 | 7030003340 | S.RES ERJ3GEYJ 151 V (150) | T | 103.3/33.2 |
| R1412 | 7030003560 | S.RES ERJ3GEYJ 103 V (10K) | T | 123.3/29.7 |
| R1421 | 7030003620 | S.RES ERJ3GEYJ 333 V (33K) | T | 114.5/33.8 |
| R1422 | 7030003580 | S.RES ERJ3GEYJ 153 V (15K) | T | 112.6/30.1 |
| R1423 | 7030003520 | S.RES ERJ3GEYJ 472 V (4.7K) | T | 107.6/32.8 |
| R1424 | 7030003520 | S.RES ERJ3GEYJ 472 V (4.7K) | T | 117.2/32.4 |
| R1432 | 7030003520 | S.RES ERJ3GEYJ 472 V (4.7K) | T | 115.3/31.9 |
| R1433 | 7030003520 | S.RES ERJ3GEYJ 472 V (4.7K) | B | 120.6/34.0 |
| C21 | 4030011600 | S.CER C1608 JB 1E 104K-T | T | 72.7/10.1 |
| C22 | 4030011600 | S.CER C1608 JB 1E 104K-T | T | 81.3/10.1 |
| C101 | 4030019560 | S.CER GRM21BB31C106KE15L | B | 153.4/43.6 |
| C102 | 4030019560 | S.CER GRM21BB31C106KE15L | B | 177.6/44.3 |
| C103 | 4510007340 | ELE 16 ME 470 AX | | |
| C104 | 4510007340 | ELE 16 ME 470 AX | | |
| C105 | 4030011600 | S.CER C1608 JB 1E 104K-T | T | 154.4/48.3 |
| C106 | 4030011600 | S.CER C1608 JB 1E 104K-T | T | 168.0/12.9 |
| C107 | 40300 | | | |

[CONNECT UNIT]

| REF NO. | PARTS NO. | DESCRIPTION | M. | H/V LOCATION |
|---------|------------|--------------------------|----|--------------|
| C292 | 4030006880 | S.CER C1608 JB 1H 472K-T | T | 102.4/21.0 |
| C293 | 4030007080 | S.CER C1608 CH 1H 390J-T | T | 102.0/26.2 |
| C301 | 4550000460 | S.TAN TEESVA 1C 105M8R | B | 155.3/14.5 |
| C302 | 4030018910 | S.CER C1608 JB 0J 475K-T | T | 152.9/2.9 |
| C303 | 4030018910 | S.CER C1608 JB 0J 475K-T | T | 152.8/4.8 |
| C304 | 4030019560 | S.CER GRM21BB31C106KE15L | T | 156.4/11.1 |
| C305 | 4030019560 | S.CER GRM21BB31C106KE15L | T | 145.4/9.5 |
| C306 | 4550000460 | S.TAN TEESVA 1C 105M8R | B | 157.4/14.5 |
| C307 | 4030019560 | S.CER GRM21BB31C106KE15L | T | 147.1/10.6 |
| C308 | 4550007480 | S.TAN F930J106MAABMA | B | 150.0/3.7 |
| C309 | 4550007480 | S.TAN F930J106MAABMA | B | 146.1/6.0 |
| C321 | 4030011600 | S.CER C1608 JB 1E 104K-T | T | 160.1/30.7 |
| C322 | 4030008950 | S.CER C2012 JB 1C 823K-T | B | 163.2/31.6 |
| C331 | 4030011600 | S.CER C1608 JB 1E 104K-T | B | 166.9/38.7 |
| C332 | 4030008950 | S.CER C2012 JB 1C 823K-T | T | 168.1/38.2 |
| C333 | 4030011600 | S.CER C1608 JB 1E 104K-T | B | 187.5/36.4 |
| C334 | 4030011600 | S.CER C1608 JB 1E 104K-T | B | 184.9/35.6 |
| C340 | 4550000460 | S.TAN TEESVA 1C 105M8R | T | 189.5/42.7 |
| C341 | 4550000460 | S.TAN TEESVA 1C 105M8R | B | 179.7/28.9 |
| C342 | 4550000460 | S.TAN TEESVA 1C 105M8R | B | 177.1/31.8 |
| C343 | 4030011600 | S.CER C1608 JB 1E 104K-T | T | 183.4/35.6 |
| C344 | 4030006900 | S.CER C1608 JB 1H 103K-T | T | 186.7/38.0 |
| C345 | 4030006900 | S.CER C1608 JB 1H 103K-T | T | 186.7/35.3 |
| C346 | 4550000460 | S.TAN TEESVA 1C 105M8R | B | 163.2/34.1 |
| C347 | 4030011600 | S.CER C1608 JB 1E 104K-T | T | 174.2/30.4 |
| C348 | 4550000460 | S.TAN TEESVA 1C 105M8R | B | 169.9/30.7 |
| C349 | 4030011600 | S.CER C1608 JB 1E 104K-T | T | 168.9/32.1 |
| C350 | 4030011600 | S.CER C1608 JB 1E 104K-T | T | 184.3/39.4 |
| C351 | 4550000460 | S.TAN TEESVA 1C 105M8R | B | 173.0/34.4 |
| C352 | 4510005000 | ELE 16 ME 220 HC | | |
| C353 | 4030019560 | S.CER GRM21BB31C106KE15L | T | 186.7/27.0 |
| C354 | 4510004601 | ELE 16 ME 1000 HC | | |
| C356 | 4510009390 | ELE 16 ME 2200 CZ | | |
| C357 | 4510004601 | ELE 16 ME 1000 HC | | |
| C359 | 4510008500 | S.ELE EEE1CA101WP | T | 173.3/17.0 |
| C360 | 4030019560 | S.CER GRM21BB31C106KE15L | T | 186.7/30.4 |
| C361 | 4030006900 | S.CER C1608 JB 1H 103K-T | T | 157.1/23.4 |
| C362 | 4030006900 | S.CER C1608 JB 1H 103K-T | B | 163.2/28.5 |
| C363 | 4030019560 | S.CER GRM21BB31C106KE15L | T | 172.7/30.7 |
| C364 | 4030019560 | S.CER GRM21BB31C106KE15L | T | 79.8/67.8 |
| C365 | 4030019560 | S.CER GRM21BB31C106KE15L | B | 88.1/31.6 |
| C366 | 4030019560 | S.CER GRM21BB31C106KE15L | T | 93.8/6.2 |
| C371 | 4030006900 | S.CER C1608 JB 1H 103K-T | B | 46.3/19.9 |
| C372 | 4030006900 | S.CER C1608 JB 1H 103K-T | B | 101.0/122.0 |
| C373 | 4030006900 | S.CER C1608 JB 1H 103K-T | T | 43.9/100.5 |
| C374 | 4030006900 | S.CER C1608 JB 1H 103K-T | T | 43.9/101.8 |
| C401 | 4030019560 | S.CER GRM21BB31C106KE15L | B | 62.6/135.9 |
| C402 | 4030019560 | S.CER GRM21BB31C106KE15L | T | 56.5/60.3 |
| C403 | 4030011600 | S.CER C1608 JB 1E 104K-T | B | 58.8/128.9 |
| C406 | 4030019120 | S.CER GRM188B31E105KA75D | B | 141.35/6.7 |
| C413 | 4030011600 | S.CER C1608 JB 1E 104K-T | B | 146.1/19.4 |
| C416 | 4030019120 | S.CER GRM188B31E105KA75D | B | 141.4/19.0 |
| C501 | 4030019560 | S.CER GRM21BB31C106KE15L | T | 50.1/32.1 |
| C502 | 4030011600 | S.CER C1608 JB 1E 104K-T | T | 52.9/32.9 |
| C503 | 4030019560 | S.CER GRM21BB31C106KE15L | T | 65.8/32.9 |
| C504 | 4030007150 | S.CER C1608 CH 1H 151J-T | T | 63.5/32.7 |
| C505 | 4030011600 | S.CER C1608 JB 1E 104K-T | T | 55.6/22.9 |
| C509 | 4030011600 | S.CER C1608 JB 1E 104K-T | T | 65.6/25.3 |
| C510 | 4030011600 | S.CER C1608 JB 1E 104K-T | T | 59.5/33.1 |
| C521 | 4030019560 | S.CER GRM21BB31C106KE15L | T | 53.7/16.0 |
| C522 | 4030011600 | S.CER C1608 JB 1E 104K-T | T | 58.4/12.8 |
| C523 | 4030019560 | S.CER GRM21BB31C106KE15L | T | 63.9/19.6 |
| C524 | 4030007150 | S.CER C1608 CH 1H 151J-T | T | 62.3/20.9 |
| C541 | 4030011600 | S.CER C1608 JB 1E 104K-T | T | 74.7/19.5 |
| C542 | 4030011600 | S.CER C1608 JB 1E 104K-T | T | 68.5/28.8 |
| C543 | 4550000460 | S.TAN TEESVA 1C 105M8R | B | 71.8/25.9 |
| C544 | 4550000460 | S.TAN TEESVA 1C 105M8R | B | 72.3/23.4 |
| C551 | 4030011600 | S.CER C1608 JB 1E 104K-T | T | 84.4/18.5 |
| C552 | 4030019560 | S.CER GRM21BB31C106KE15L | T | 83.5/20.2 |
| C553 | 4030019560 | S.CER GRM21BB31C106KE15L | T | 87.5/26.6 |
| C554 | 4030011600 | S.CER C1608 JB 1E 104K-T | T | 79.9/18.6 |
| C555 | 4030019560 | S.CER GRM21BB31C106KE15L | T | 78.2/20.1 |
| C556 | 4030011600 | S.CER C1608 JB 1E 104K-T | T | 78.8/30.9 |
| C557 | 4030019560 | S.CER GRM21BB31C106KE15L | T | 77.1/32.8 |
| C558 | 4030019560 | S.CER GRM21BB31C106KE15L | T | 86.7/32.4 |
| C559 | 4030019560 | S.CER GRM21BB31C106KE15L | T | 84.7/32.4 |
| C561 | 4030007060 | S.CER C1608 CH 1H 270J-T | T | 81.4/31.0 |
| C562 | 4030007060 | S.CER C1608 CH 1H 270J-T | T | 79.3/32.8 |
| C571 | 4030011600 | S.CER C1608 JB 1E 104K-T | T | 92.7/25.4 |
| C611 | 4030011600 | S.CER C1608 JB 1E 104K-T | B | 115.1/53.3 |
| C615 | 4030007010 | S.CER C1608 CH 1H 100D-T | B | 133.4/45.2 |
| C651 | 4030019120 | S.CER GRM188B31E105KA75D | T | 89.9/31.9 |
| C701 | 4030019560 | S.CER GRM21BB31C106KE15L | T | 90.6/21.3 |
| C702 | 4030019120 | S.CER GRM188B31E105KA75D | T | 93.7/23.0 |
| C703 | 4030019560 | S.CER GRM21BB31C106KE15L | T | 88.9/21.3 |
| C751 | 4030006880 | S.CER C1608 JB 1H 472K-T | T | 138.2/40.3 |
| C752 | 4030007090 | S.CER C1608 CH 1H 470J-T | B | 142.9/40.3 |
| C753 | 4030007090 | S.CER C1608 CH 1H 470J-T | B | 147.7/44.6 |
| C754 | 4030007090 | S.CER C1608 CH 1H 470J-T | B | 148.0/42.2 |
| C811 | 4030019560 | S.CER GRM21BB31C106KE15L | T | 14.7/19.2 |
| C812 | 4030019120 | S.CER GRM188B31E105KA75D | T | 11.8/20.7 |
| C813 | 4030019560 | S.CER GRM21BB31C106KE15L | T | 14.7/20.9 |
| C821 | 4030011600 | S.CER C1608 JB 1E 104K-T | B | 12.4/34.8 |
| C822 | 4030011600 | S.CER C1608 JB 1E 104K-T | T | 13.0/39.8 |
| C823 | 4030011600 | S.CER C1608 JB 1E 104K-T | B | 11.7/36.8 |
| C824 | 4030011600 | S.CER C1608 JB 1E 104K-T | T | 11.1/39.8 |
| C825 | 4030007050 | S.CER C1608 CH 1H 220J-T | B | 10.6/40.8 |
| C826 | 4030011600 | S.CER C1608 JB 1E 104K-T | T | 12.9/29.8 |
| C827 | 4030007050 | S.CER C1608 CH 1H 220J-T | B | 3.2/48.3 |
| C901 | 4030019560 | S.CER GRM21BB31C106KE15L | T | 49.7/42.9 |
| C902 | 4030011600 | S.CER C1608 JB 1E 104K-T | T | 142.5/40.8 |
| C903 | 4030019120 | S.CER GRM188B31E105KA75D | B | 50.2/39.6 |
| C904 | 4030019120 | S.CER GRM188B31E105KA75D | T | 52.5/38.7 |
| C905 | 4030011600 | S.CER C1608 JB 1E 104K-T | T | 49.5/40.7 |
| C906 | 4030007060 | S.CER C1608 CH 1H 270J-T | T | 148.1/36.2 |

[CONNECT UNIT]

| REF NO. | PARTS NO. | DESCRIPTION | M. | H/V LOCATION |
|---------|------------|--------------------------|----|--------------|
| C907 | 4030007060 | S.CER C1608 CH 1H 270J-T | T | 148.7/38.0 |
| C908 | 4030011600 | S.CER C1608 JB 1E 104K-T | B | 143.2/36.8 |
| C909 | 4030007050 | S.CER C1608 CH 1H 220J-T | B | 141.1/38.7 |
| C910 | 4030007050 | S.CER C1608 CH 1H 220J-T | B | 139.5/42.6 |
| C911 | 4030011600 | S.CER C1608 JB 1E 104K-T | T | 147.9/33.0 |
| C912 | 4030007050 | S.CER C1608 CH 1H 220J-T | T | 134.0/30.6 |
| C913 | 4030007050 | S.CER C1608 CH 1H 220J-T | B | 144.6/32.8 |
| C915 | 4030007050 | S.CER C1608 CH 1H 220J-T | T | 135.4/31.2 |
| C916 | 4030019560 | S.CER GRM21BB31C106KE15L | T | 2.6/18.4 |
| C917 | 4030019120 | S.CER GRM188B31E105KA75D | T | 2.6/21.4 |
| C918 | 4030019120 | S.CER GRM188B31E105KA75D | T | 7.4/16.5 |
| C922 | 4030007050 | S.CER C1608 CH 1H 220J-T | B | 141.6/29.4 |
| C923 | 4030011600 | S.CER C1608 JB 1E 104K-T | B | 2.5/19.0 |
| C924 | 4030019560 | S.CER GRM21BB31C106KE15L | B | 145.1/34.8 |
| C1001 | 4030011600 | S.CER C1608 JB 1E 104K-T | B | 119.1/6.6 |
| C1002 | 4030011600 | S.CER C1608 JB 1E 104K-T | B | 116.1/7.3 |
| C1003 | 4030006880 | S.CER C1608 JB 1H 472K-T | B | 114.3/6.5 |
| C1004 | 4030006880 | S.CER C1608 JB 1H 472K-T | B | 116.6/10.5 |
| C1008 | 4030006880 | S.CER C1608 JB 1H 472K-T | B | 114.8/12.4 |
| C1009 | 4030006880 | S.CER C1608 JB 1H 472K-T | B | 112.5/7.7 |
| C1010 | 4030006880 | S.CER C1608 JB 1H 472K-T | B | 113.2/11.6 |
| C1013 | 4030006880 | S.CER C1608 JB 1H 472K-T | B | 109.3/7.7 |
| C1014 | 4030006880 | S.CER C1608 JB 1H 472K-T | B | 110.0/11.6 |
| C1015 | 4030006880 | S.CER C1608 JB 1H 472K-T | B | 107.7/6.6 |
| C1016 | 4030006880 | S.CER C1608 JB 1H 472K-T | B | 108.4/12.4 |
| C1017 | 4030006880 | S.CER C1608 JB 1H 472K-T | B | 106.1/7.7 |
| C1018 | 4030006880 | S.CER C1608 JB 1H 472K-T | B | 106.8/11.6 |
| C1019 | 4030006880 | S.CER C1608 JB 1H 472K-T | B | 104.5/6.6 |
| C1020 | 4030006880 | S.CER C1608 JB 1H 472K-T | B | 105.2/12.4 |
| C1021 | 4030006880 | S.CER C1608 JB 1H 472K-T | B | 102.9/7.7 |
| C1022 | 4030006880 | S.CER C1608 JB 1H 472K-T | B | 103.6/11.6 |
| C1023 | 4030006880 | S.CER C1608 JB 1H 472K-T | B | 101.3/6.6 |
| C1024 | 4030007090 | S.CER C1608 CH 1H 470J-T | B | 100.4/11.6 |
| C1025 | 4030007090 | S.CER C1608 CH 1H 470J-T | B | 99.7/7.7 |
| C1026 | 4030006880 | S.CER C1608 JB 1H 472K-T | B | 101.9/12.4 |
| C1027 | 4030007090 | S.CER C1608 CH 1H 470J-T | B | 98.1/6.6 |
| C1028 | 4030007090 | S.CER C1608 CH 1H 470J-T | B | 98.8/12.4 |
| C1029 | 4030006880 | S.CER C1608 JB 1H 472K-T | B | 96.5/7.7 |
| C1030 | 4030006880 | S.CER C1608 JB 1H 472K-T | B | 97.2/11.6 |
| C1031 | 4030007090 | S.CER C1608 CH 1H 470J-T | B | 94.7/6.6 |
| C1032 | 4030007090 | S.CER C1608 CH 1H 470J-T | B | 95.6/10.5 |
| C1033 | 4030007090 | S.CER C1608 CH 1H 470J-T | B | 93.1/5.8 |
| C1034 | 4030007090 | S.CER C1608 CH 1H 470J-T | T | 96.9/13.4 |
| C1039 | 4030011600 | S.CER C1608 JB 1E 104K-T | T | 141.9/25.5 |
| C1040 | 4030011600 | S.CER C1608 JB 1E 104K-T | T | 135.5/24.0 |
| C1041 | 4030006880 | S.CER C1608 JB 1H 472K-T | T | 152.0/24.1 |
| C1042 | 4030006880 | S.CER C1608 JB 1H 472K-T | T | 145.1/24.1 |
| C1043 | 4030006880 | S.CER C1608 JB 1H 472K-T | B | 152.6/17.9 |
| C1044 | 4030006880 | S.CER C1608 JB 1H 472K-T | B | 149.0/15.3 |
| C1045 | 4030006880 | S.CER C1608 JB 1H 472K-T | T | 132.9/24.0 |
| C1046 | 4030011600 | S.CER C1608 JB 1E 104K-T | T | 23.1/25.1 |
| C1047 | 4030006880 | S.CER C1608 JB 1H 472K-T | T | 29.3/16.5 |
| C1048 | 4030006880 | S.CER C1608 JB 1H 472K-T | T | 145.1/25.4 |
| C1049 | 4030006880 | S.CER C1608 JB 1H 472K-T | T | 31.9/16.5 |
| C1050 | 4030006880 | S.CER C1608 JB 1H 472K-T | T | 149.1/23.6 |
| C1051 | 4030006880 | S.CER C1608 JB 1H 472K-T | T | 35.3/16.5 |
| C1052 | 4030019560 | S.CER GRM21BB31C106KE15L | T | 11.0/13.3 |
| C1053 | 4030006880 | S.CER C1608 JB 1H 472K-T | T | 37.9/16.5 |
| C1054 | 4030011600 | S.CER C1608 JB 1E 104K-T | B | 9.7/4.7 |
| C1055 | 4030011600 | S.CER C1608 JB 1E 104K-T | B | 18.1/10.0 |
| C1056 | 4510008800 | S.ELE EEE1EA100SR | T | 16.4/13.2 |
| C1101 | 4030006900 | S.CER C1608 JB 1H 103K-T | B | 100.9/36.6 |
| C1102 | 4030006900 | S.CER C1608 JB 1H 103K-T | B | 118.7/35.5 |
| C1103 | 4030006900 | S.CER C1608 JB 1H 103K-T | B | 98.0/39.7 |
| C1104 | 4030019560 | S.CER GRM21BB31C106KE15L | B | 99.9/33.9 |
| C1105 | 4030006900 | S.CER C1608 JB 1H 103K-T | B | 106.9/32.2 |
| C1106 | 4030006900 | S.CER C1608 JB 1H 103K-T | T | 113.4/31.2 |
| C1107 | 4030006880 | S.CER C1608 JB 1H 472K-T | B | 121.1/37.9 |
| C1108 | 4030019560 | S.CER GRM21BB31C106KE15L | B | 89.4/33.3 |
| C1109 | 4030006880 | S.CER C1608 JB 1H 102K-T | B | 106.8/42.3 |
| C1110 | 4030006 | | | |

[CONNECT UNIT]

| REF NO. | PARTS NO. | DESCRIPTION | M. | H/V LOCATION |
|---------|------------|-------------------------------|----|--------------|
| RL1431 | 6330001860 | REL UA2-12NU | | |
| J101 | 6510023720 | CON LGY6501-0600C | | |
| J102 | 6510023720 | CON LGY6501-0600C | | |
| J151 | 6510018961 | S.CON B2B-PH-SM4-TB(LF)(SN) | T | 11.0/6.5 |
| J611 | 6510023720 | CON LGY6501-0600C | | |
| J751 | 6510026540 | CON UBB-4R-D14T-4D (LF)(SN) | | |
| J851 | 6510027740 | CON HSJ2462-010010 | | |
| J1001 | 6510022472 | S.CON 40FLT-SM2-TB(LF)(SN)(M) | T | 106.4/9.8 |
| J1002 | 6510027040 | S.CON B12B-PH-SM4-TB(LF)(SN) | T | 143.0/16.9 |
| J1003 | 6510021261 | S.CON B9B-ZR-SM4-TF(LF)(SN) | T | 32.5/22.2 |
| J1101 | 6450001641 | CON TCS5044-0141177 | | |
| J1201 | 6450001841 | CON TCS7568-4320177 | | |
| J1301 | 6510023900 | CON LGR4619-7000 | | |
| J1401 | 6450001130 | CON JPJ2042-01-110 | | |
| EP101 | 6910014730 | S.BEA MPZ2012S331A-T | B | 164.2/45.9 |
| EP102 | 6910014730 | S.BEA MPZ2012S331A-T | B | 178.1/48.3 |
| EP151 | 6910012350 | S.BEA MMZ1608Y 102BT | T | 92.6/11.8 |
| EP152 | 6910012350 | S.BEA MMZ1608Y 102BT | T | 15.2/8.9 |
| EP351 | 6910014730 | S.BEA MPZ2012S331A-T | T | 187.6/48.2 |
| EP352 | 6910014730 | S.BEA MPZ2012S331A-T | T | 169.2/44.1 |
| EP551 | 6910012350 | S.BEA MMZ1608Y 102BT | T | 76.2/31.2 |
| EP552 | 6910012350 | S.BEA MMZ1608Y 102BT | T | 75.7/34.4 |
| EP602 | 6910012350 | S.BEA MMZ1608Y 102BT | B | 104.8/52.9 |
| EP611 | 6910012350 | S.BEA MMZ1608Y 102BT | B | 133.4/48.3 |
| EP751 | 6910015970 | S.BEA MMZ1608B 301CT-AS | B | 139.2/44.5 |
| EP752 | 6910015970 | S.BEA MMZ1608B 301CT-AS | B | 143.0/47.8 |
| EP753 | 6910015970 | S.BEA MMZ1608B 301CT-AS | T | 145.1/40.7 |
| EP754 | 6910015970 | S.BEA MMZ1608B 301CT-AS | B | 150.6/43.9 |
| EP851 | 6910012350 | S.BEA MMZ1608Y 102BT | B | 5.6/51.1 |
| EP852 | 6910012350 | S.BEA MMZ1608Y 102BT | B | 5.6/49.0 |
| EP853 | 6910012350 | S.BEA MMZ1608Y 102BT | B | 9.8/42.9 |
| EP901 | 6910012350 | S.BEA MMZ1608Y 102BT | B | 49.4/41.2 |
| EP902 | 6910012350 | S.BEA MMZ1608Y 102BT | T | 137.9/29.1 |
| EP903 | 6910012350 | S.BEA MMZ1608Y 102BT | B | 10.1/19.5 |
| EP1001 | 6910014640 | S.BEA MPZ2012S221A-T | T | 119.4/5.7 |
| EP1002 | 6910014640 | S.BEA MPZ2012S221A-T | T | 117.1/5.7 |
| EP1003 | 6910012350 | S.BEA MMZ1608Y 102BT | T | 114.2/6.0 |
| EP1004 | 6910012350 | S.BEA MMZ1608Y 102BT | T | 113.9/13.5 |
| EP1005 | 6910012350 | S.BEA MMZ1608Y 102BT | T | 113.0/6.0 |
| EP1009 | 6910012350 | S.BEA MMZ1608Y 102BT | T | 98.6/6.0 |
| EP1010 | 6910012350 | S.BEA MMZ1608Y 102BT | T | 98.3/13.5 |
| EP1011 | 6910012350 | S.BEA MMZ1608Y 102BT | T | 97.2/6.1 |
| EP1012 | 6910012350 | S.BEA MMZ1608Y 102BT | T | 95.6/13.4 |
| EP1015 | 6910012350 | S.BEA MMZ1608Y 102BT | T | 103.4/6.0 |
| EP1017 | 6910014640 | S.BEA MPZ2012S221A-T | T | 140.4/23.8 |
| EP1018 | 6910014640 | S.BEA MPZ2012S221A-T | T | 137.6/23.8 |
| EP1019 | 6910012350 | S.BEA MMZ1608Y 102BT | T | 153.9/23.6 |
| EP1020 | 6910012350 | S.BEA MMZ1608Y 102BT | T | 152.0/22.8 |
| EP1021 | 6910012350 | S.BEA MMZ1608Y 102BT | T | 150.7/13.5 |
| EP1022 | 6910012350 | S.BEA MMZ1608Y 102BT | T | 146.7/13.3 |
| EP1023 | 6910012350 | S.BEA MMZ1608Y 102BT | T | 132.9/22.7 |
| EP1025 | 6910012350 | S.BEA MMZ1608Y 102BT | T | 28.0/16.5 |
| EP1026 | 6910012350 | S.BEA MMZ1608Y 102BT | T | 147.1/23.5 |
| EP1027 | 6910012350 | S.BEA MMZ1608Y 102BT | T | 30.6/16.5 |
| EP1028 | 6910012350 | S.BEA MMZ1608Y 102BT | T | 145.1/22.8 |
| EP1029 | 6910012350 | S.BEA MMZ1608Y 102BT | T | 34.0/16.5 |
| EP1031 | 6910012350 | S.BEA MMZ1608Y 102BT | T | 36.6/16.5 |
| EP1101 | 6910014690 | S.BEA MPZ1608S221A-T | B | 102.4/34.8 |
| EP1102 | 6910014640 | S.BEA MPZ2012S221A-T | B | 103.3/32.8 |
| EP1103 | 6910018930 | S.BEA MPZ2012S601A | B | 115.1/34.4 |
| EP1104 | 6910014640 | S.BEA MPZ2012S221A-T | B | 118.7/38.6 |
| EP1105 | 6910018930 | S.BEA MPZ2012S601A | B | 112.0/32.1 |
| EP1106 | 6910012350 | S.BEA MMZ1608Y 102BT | B | 109.6/43.1 |
| EP1201 | 6910012350 | S.BEA MMZ1608Y 102BT | B | 23.2/43.6 |
| EP1202 | 6910012350 | S.BEA MMZ1608Y 102BT | B | 25.0/43.6 |
| EP1203 | 6910012350 | S.BEA MMZ1608Y 102BT | B | 26.3/40.3 |
| EP1301 | 6910012350 | S.BEA MMZ1608Y 102BT | B | 48.1/45.0 |
| EP1401 | 6910018930 | S.BEA MPZ2012S601A | B | 73.3/50.4 |

[PLL UNIT]

| REF NO. | PARTS NO. | DESCRIPTION | M. | H/V LOCATION |
|---------|------------|-------------------------------|-----|--------------|
| IC103 | 1130011760 | S.IC CD4094BPWR | T | 23.9/58.6 |
| IC104 | 1130011760 | S.IC CD4094BPWR | T | 22.9/47.8 |
| IC121 | 1180001072 | S.IC TA7805F(TE16L1NQ) | B | 6.3/98.3 |
| IC122 | 1180002020 | S.REG BA033FP-E2 | B | 8.3/83.0 |
| IC201 | 1130013270 | S.IC ADF4116BRUZ-REEL7 <FE> | T | 105.1/59.8 |
| IC351 | 1190002101 | S.IC AD9951YSVZ <FE> | T | 50.7/26.1 |
| IC352 | 1180003200 | S.REG UPD120N18TA-E1-AT | T | 60.2/25.0 |
| IC353 | 1130013370 | S.IC HD74LV2GT34AUSE-E | T | 59.6/37.9 |
| IC354 | 1130013370 | S.IC HD74LV2GT34AUSE-E | T | 58.8/34.1 |
| IC501 | 1110006870 | S.IC UPC2709TB-E3 | T | 29.2/20.3 |
| IC661 | 1130012600 | S.IC SN74AHC1G04DCKR | T | 65.6/105.7 |
| IC662 | 1130015150 | S.IC CY22381FXC(SX-3073G) | T | 72.0/105.7 |
| IC701 | 1130012600 | S.IC SN74AHC1G04DCKR | T | 72.4/95.0 |
| IC702 | 1140014960 | S.IC TC190G02EFG-0058/SC1287A | T | 64.1/89.1 |
| IC703 | 1130013010 | S.IC SN74AHC1G08DCK3 | T | 73.5/90.8 |
| IC704 | 1130013010 | S.IC SN74AHC1G08DCK3 | T | 71.6/83.2 |
| IC1051 | 1190002101 | S.IC AD9951YSVZ <FE> | T | 92.9/23.0 |
| IC1052 | 1180003200 | S.REG UPD120N18TA-E1-AT | T | 97.7/31.5 |
| IC1053 | 1130013370 | S.IC HD74LV2GT34AUSE-E | T | 95.9/38.4 |
| IC1054 | 1130013370 | S.IC HD74LV2GT34AUSE-E | T | 98.4/38.4 |
| IC1171 | 1110006870 | S.IC UPC2709TB-E3 | T | 44.2/4.2 |
| IC1201 | 1110006870 | S.IC UPC2709TB-E3 | T | 101.2/7.2 |
| IC1251 | 1110006870 | S.IC UPC2709TB-E3 | T | 106.5/30.8 |
| IC1401 | 1130011760 | S.IC CD4094BPWR | T | 30.4/47.8 |
| IC1402 | 1130011760 | S.IC CD4094BPWR | T | 31.4/58.6 |
| IC1451 | 1110007560 | S.IC ADG904BRUZ-REEL7 <FE> | T | 57.9/16.3 |
| IC1452 | 1110007560 | S.IC ADG904BRUZ-REEL7 <FE> | T | 73.5/21.7 |
| IC1453 | 1110007570 | S.IC ADG918BRMZ-REEL7 <FE> | T | 56.6/46.2 |
| IC1454 | 1110007570 | S.IC ADG918BRMZ-REEL7 <FE> | T | 66.9/3.2 |
| IC1455 | 1110007570 | S.IC ADG918BRMZ-REEL7 <FE> | T | 78.8/4.4 |
| IC1456 | 1110007570 | S.IC ADG918BRMZ-REEL7 <FE> | T | 70.1/40.6 |
| IC1501 | 1130012600 | S.IC SN74AHC1G04DCKR | T | 63.9/73.8 |
| IC1502 | 1140014960 | S.IC TC190G02EFG-0058/SC1287A | T | 54.2/69.5 |
| IC2001 | 1130012600 | S.IC SN74AHC1G04DCKR | T | 102.8/77.2 |
| IC2002 | 1140014960 | S.IC TC190G02EFG-0058/SC1287A | T | 97.5/86.6 |
| Q151 | 1530003900 | S.TRA KTC4075 BL-RTK/P | T | 104.0/69.7 |
| Q201 | 1530003900 | S.TRA KTC4075 BL-RTK/P | B | 101.0/61.1 |
| Q202 | 1590004010 | S.TRA KRA302-RTK/P | T | 103.2/65.3 |
| Q203 | 1590003680 | S.TRA KRC402 RTK/P | B | 101.7/65.5 |
| Q251 | 1560000491 | S.FET 2SK508-T2B-A K52 | T | 79.6/58.0 |
| Q252 | 1530003900 | S.TRA KTC4075 BL-RTK/P | B | 75.3/61.3 |
| Q271 | 1530004011 | S.TRA KTC3770U-C-RTK/P | B | 81.6/50.5 |
| Q291 | 1530004011 | S.TRA KTC3770U-C-RTK/P | T | 89.7/53.7 |
| Q301 | 1530004011 | S.TRA KTC3770U-C-RTK/P | T | 52.1/35.8 |
| Q421 | 1590003680 | S.TRA KRC402 RTK/P | T | 18.8/34.2 |
| Q422 | 1590004010 | S.TRA KRA302-RTK/P | T | 21.3/34.2 |
| Q451 | 1560000841 | S.FET 2SK1829(T85RF) | T | 18.8/30.0 |
| Q452 | 1590004010 | S.TRA KRA302-RTK/P | T | 21.3/30.0 |
| Q501 | 1590003680 | S.TRA KRC402 RTK/P | T | 17.6/26.4 |
| Q502 | 1590004010 | S.TRA KRA302-RTK/P | T | 20.1/26.4 |
| Q551 | 1530003890 | S.TRA KTC3880S Y-RTK/P | T | 91.0/70.2 |
| Q571 | 1530003890 | S.TRA KTC3880S Y-RTK/P | T | 83.4/90.8 |
| Q572 | 1590003680 | S.TRA KRC402 RTK/P | B | 18.6/71.1 |
| Q573 | 1590004010 | S.TRA KRA302-RTK/P | B | 21.8/71.1 |
| Q701 | 1530003900 | S.TRA KTC4075 BL-RTK/P | T | 48.7/92.5 |
| Q801 | 1590003680 | S.TRA KRC402 RTK/P | B | 19.1/68.4 |
| Q802 | 1590004010 | S.TRA KRA302-RTK/P | B | 22.3/68.4 |
| Q850 | 1590003680 | S.TRA KRC402 RTK/P | T | 22.0/97.0 |
| Q851 | 1560000841 | S.FET 2SK1829(T85RF) | T | 22.0/100.4 |
| Q852 | 1590003770 | S.TRA KRA302E-RTK/P | T | 22.5/103.3 |
| Q900 | 1590003680 | S.TRA KRC402 RTK/P | B | 20.2/102.2 |
| Q901 | 1530003890 | S.TRA KTC3880S Y-RTK/P | B | 31.7/113.3 |
| Q902 | 1560000841 | S.FET 2SK1829(T85RF) | B | 20.3/105.3 |
| Q903 | 1590004010 | S.TRA KRA302-RTK/P | B | 23.7/106.3 |
| Q1001 | 1530004011 | S.TRA KTC3770U-C-RTK/P | T | 76.1/29.5 |
| Q1191 | 1590003770 | S.TRA KRA302E-RTK/P | T | 13.5/12.4 |
| Q1192 | 1560000841 | S.FET 2SK1829(T85RF) | B | 14.8/12.6 |
| Q1193 | 1590003770 | S.TRA KRA302E-RTK/P | T | 10.7/12.4 |
| Q1194 | 1590003680 | S.TRA KRC402 RTK/P | B | 11.8/12.6 |
| Q1205 | 1590003680 | S.TRA KRC402 RTK/P | B | 90.5/9.4 |
| Q1501 | 1530003900 | S.TRA KTC4075 BL-RTK/P | T | 38.6/71.6 |
| Q1601 | 1590003680 | S.TRA KRC402 RTK/P | T | 18.4/72.1 |
| Q1602 | 1590003770 | S.TRA KRA302E-RTK/P | T | 21.1/71.2 |
| Q1701 | 1590003680 | S.TRA KRC402 RTK/P | B | 17.9/65.8 |
| Q1702 | 1590004010 | S.TRA KRA302-RTK/P | B | 21.1/65.8 |
| Q1703 | 1590003680 | S.TRA KRC402 RTK/P | T | 18.3/74.6 |
| Q1704 | 1590003770 | S.TRA KRA302E-RTK/P | T | 21.0/75.0 |
| Q1801 | 1590003680 | S.TRA KRC402 RTK/P | B | 24.3/65.1 |
| Q1802 | 1590004010 | S.TRA KRA302-RTK/P | B | 25.5/67.8 |
| Q1803 | 1590003680 | S.TRA KRC402 RTK/P | T | 19.2/68.9 |
| Q1804 | 1590003770 | S.TRA KRA302E-RTK/P | T | 21.5/68.8 |
| Q1851 | 1530003890 | S.TRA KTC3880S Y-RTK/P | B | 38.1/99.8 |
| Q1901 | 1590003680 | S.TRA KRC402 RTK/P | B | 29.6/62.5 |
| Q1902 | 1590004010 | S.TRA KRA302-RTK/P | B | 27.6/65.1 |
| Q1903 | 1590003680 | S.TRA KRC402 RTK/P | T | 19.8/64.9 |
| Q1904 | 1590003770 | S.TRA KRA302E-RTK/P | T | 22.1/64.8 |
| Q2001 | 1530003900 | S.TRA KTC4075 BL-RTK/P | T | 101.3/102.0 |
| Q2102 | 1590003680 | S.TRA KRC402 RTK/P | B | 14.9/73.7 |
| Q2103 | 1590004010 | S.TRA KRA302-RTK/P | B | 14.9/76.3 |
| Q2121 | 1590003680 | S.TRA KRC402 RTK/P | B | 15.3/71.1 |
| Q2122 | 1590004010 | S.TRA KRA302-RTK/P | B | 18.1/73.7 |
| Q2151 | 1530003890 | S.TRA KTC3880S Y-RTK/P | T | 84.7/113.4 |
| D201 | 1750001320 | S.DIO KDS4148U RTK/PA | T | 108.0/65.0 |
| D251 | 1720000641 | S.VAR 1SV284(TPH3F) | T | 89.3/59.0 |
| D421 | 1750001310 | S.DIO KDS114 RTK/PA | T | 31.0/34.3 |
| D422 | 1750001310 | S.DIO KDS114 RTK/PA | T | 34.4/23.7 |
| D451 | 1750001310 | S.DIO KDS114 RTK/PA | T | 27.1/35.3 |
| D452 | 1750001310 | S.DIO KDS114 RTK/PA | T | 30.2/24.2 |
| D501 | 1750001310 | S.DIO KDS114 RTK/PA | T</ | |

[PLL UNIT]

| REF NO. | PARTS NO. | DESCRIPTION | M. | H/V LOCATION |
|---------|------------|--|----|--------------|
| D851 | 1750001310 | S.DIO KDS114 RTK/PA | T | 50.3/103.1 |
| D951 | 1750000431 | S.DIO HSB88WSTR-E | T | 29.0/115.0 |
| D1171 | 1790001621 | S.DIO 1SV308(TPL3F) | B | 33.0/8.3 |
| D1172 | 1790001621 | S.DIO 1SV308(TPL3F) | B | 21.0/7.9 |
| D1173 | 1790001621 | S.DIO 1SV308(TPL3F) | T | 34.5/9.8 |
| D1174 | 1790001621 | S.DIO 1SV308(TPL3F) | B | 21.7/9.2 |
| D1203 | 1750001310 | S.DIO KDS114 RTK/PA | T | 92.3/5.3 |
| D1601 | 1750001310 | S.DIO KDS114 RTK/PA | B | 50.3/105.5 |
| D1701 | 1750001310 | S.DIO KDS114 RTK/PA | B | 47.2/101.6 |
| D1702 | 1750001310 | S.DIO KDS114 RTK/PA | B | 47.3/103.7 |
| D1801 | 1750001310 | S.DIO KDS114 RTK/PA | B | 47.1/93.1 |
| D1802 | 1750001310 | S.DIO KDS114 RTK/PA | B | 35.8/72.5 |
| D1851 | 1160000070 | S.DIO DAN202K T146 | B | 32.5/94.1 |
| D1872 | 1750000431 | S.DIO HSB88WSTR-E | T | 41.8/88.6 |
| D1901 | 1750001310 | S.DIO KDS114 RTK/PA | B | 47.8/91.1 |
| D1902 | 1750001310 | S.DIO KDS114 RTK/PA | T | 33.3/70.1 |
| D2121 | 1750001310 | S.DIO KDS114 RTK/PA | T | 102.7/111.8 |
| D2151 | 1750001310 | S.DIO KDS114 RTK/PA | T | 85.6/103.5 |
| D2171 | 1750001310 | S.DIO KDS114 RTK/PA | B | 105.4/112.7 |
| D2172 | 1750000431 | S.DIO HSB88WSTR-E | T | 97.2/115.7 |
| D2181 | 1750001310 | S.DIO KDS114 RTK/PA | B | 86.5/104.4 |
| FI401 | 2030000680 | S.MON DSF753SDF 64.455 MHz (FL-423) | T | 45.1/47.7 |
| FI981 | 2030000820 | S.MON MFT64.4R2 64.491 MHz (FL-436) | T | 14.9/107.3 |
| FI1881 | 2030000830 | S.MON MFT71.2R2 71.214 MHz (FL-437) | T | 33.6/87.3 |
| FI2181 | 2030000790 | S.MON MFT71.7R 71.705 MHz (FL-438) | T | 96.4/108.5 |
| X151 | 6050012990 | S.XTA CR-893 TTS18NSH 32 MHz | T | 111.9/71.5 |
| L151 | 6200005011 | S.COI NLV25T-100J | T | 123.3/11.9 |
| L152 | 6200005011 | S.COI NLV25T-100J | T | 120.3/9.7 |
| L153 | 6200002651 | S.COI NLV25T-R18J | T | 101.5/71.55 |
| L201 | 6200005011 | S.COI NLV25T-100J | T | 110.0/62.4 |
| L251 | 6200013110 | S.COI 0.35-1.6-9TL 52.0N <COMO> | T | 91.6/58.3 |
| L252 | 6200010150 | S.COI AS080340-15N | T | 85.0/57.4 |
| L301 | 6200005671 | S.COI ELJRE 12NGFA | T | 50.0/35.7 |
| L302 | 6200005691 | S.COI ELJRE 18NGFA | T | 46.9/35.1 |
| L303 | 6200005681 | S.COI ELJRE 15NGFA | T | 44.2/37.5 |
| L304 | 6200005691 | S.COI ELJRE 18NGFA | T | 43.7/32.9 |
| L351 | 6200004961 | S.COI NLV25T-R33J | B | 50.4/21.5 |
| L352 | 6200004961 | S.COI NLV25T-R33J | B | 52.9/21.5 |
| L353 | 6200004961 | S.COI NLV25T-R33J | B | 54.3/35.1 |
| L354 | 6140002810 | S.COI LR-317 | T | 47.0/14.3 |
| L355 | 6200004961 | S.COI NLV25T-R33J | B | 54.7/31.9 |
| L381 | 6200010910 | S.COI LQW18AN56NG00D | T | 53.0/11.6 |
| L382 | 6200010910 | S.COI LQW18AN56NG00D | T | 54.9/12.0 |
| L401 | 6200004940 | S.COI MLF1608D R27K-T | B | 48.0/46.2 |
| L402 | 6200004940 | S.COI MLF1608D R27K-T | T | 39.7/46.8 |
| L421 | 6200011650 | S.COI LQW18AN68NG00D | T | 31.6/31.1 |
| L422 | 6200011770 | S.COI LQW18ANR10G00D | T | 32.0/29.2 |
| L423 | 6200011680 | S.COI LQW18ANR12G00D | T | 35.2/27.2 |
| L451 | 6200005731 | S.COI ELJRE 39NGFA | T | 26.8/32.3 |
| L452 | 6200006991 | S.COI ELJRE 56NGFA | T | 27.6/29.2 |
| L453 | 6200009531 | S.COI ELJRE R15GFA | T | 28.3/27.0 |
| L501 | 6200001981 | S.COI NLV25T-1R0J | T | 26.6/20.6 |
| L502 | 6200009290 | S.COI LQW18AN47NG00D (LQW1608A47NG00D) | T | 23.2/22.6 |
| L503 | 6200011650 | S.COI LQW18AN68NG00D | T | 20.1/20.7 |
| L504 | 6200011680 | S.COI LQW18ANR12G00D | T | 18.1/18.7 |
| L505 | 6200005011 | S.COI NLV25T-100J | B | 19.3/25.0 |
| L551 | 6150004250 | COI LS-471A (C-14922) | | |
| L552 | 6150004250 | COI LS-471A (C-14922) | | |
| L661 | 6200005011 | S.COI NLV25T-100J | B | 71.6/103.4 |
| L671 | 6200004741 | S.COI NLV25T-1R2J | T | 74.8/112.5 |
| L672 | 6200002841 | S.COI NLV25T-R22J | T | 70.8/110.4 |
| L673 | 6200002911 | S.COI NLV25T-R27J | T | 67.8/110.9 |
| L674 | 6200002841 | S.COI NLV25T-R22J | T | 64.6/110.4 |
| L701 | 6200005011 | S.COI NLV25T-100J | B | 58.6/81.8 |
| L702 | 6200009871 | S.COI NLV25T-120J | T | 51.7/83.3 |
| L703 | 6200002041 | S.COI NLV25T-101J | B | 50.2/87.8 |
| L801 | 6200014100 | S.COI NLFV25T-150K-EF | T | 34.9/109.0 |
| L802 | 6200014100 | S.COI NLFV25T-150K-EF | T | 30.6/110.4 |
| L803 | 6200014110 | S.COI NLFV25T-220K-EF | T | 26.4/107.9 |
| L811 | 6200005491 | S.COI NLV32T-331J | B | 42.4/93.5 |
| L812 | 6200014090 | S.COI NLFV32T-331K-EF | T | 43.3/104.7 |
| L850 | 6200014090 | S.COI NLFV32T-331K-EF | T | 55.4/105.7 |
| L851 | 6200014220 | S.COI MLF2012C 150K-T | T | 50.8/107.4 |
| L852 | 6200014220 | S.COI MLF2012C 150K-T | T | 47.9/109.1 |
| L853 | 6200014230 | S.COI MLF2012C 220K-T | T | 47.5/111.9 |
| L901 | 6200002911 | S.COI NLV25T-R27J | B | 29.2/110.5 |
| L951 | 6140002810 | S.COI LR-317 | T | 35.0/114.9 |
| L952 | 6140002810 | S.COI LR-317 | T | 22.7/114.9 |
| L981 | 6200010870 | S.COI C2520C-R33G-A (0.33U) | T | 14.4/115.2 |
| L982 | 6200010870 | S.COI C2520C-R33G-A (0.33U) | T | 15.0/100.1 |
| L1001 | 6200005671 | S.COI ELJRE 12NGFA | T | 81.1/28.9 |
| L1002 | 6200005691 | S.COI ELJRE 18NGFA | T | 83.1/29.3 |
| L1003 | 6200005681 | S.COI ELJRE 15NGFA | T | 85.1/31.3 |
| L1004 | 6200005691 | S.COI ELJRE 18NGFA | T | 87.0/32.0 |
| L1051 | 6200004961 | S.COI NLV25T-R33J | B | 92.2/29.6 |
| L1052 | 6200004961 | S.COI NLV25T-R33J | B | 94.7/28.6 |
| L1053 | 6200004961 | S.COI NLV25T-R33J | B | 97.8/26.9 |
| L1054 | 6140002810 | S.COI LR-317 | T | 81.2/21.3 |
| L1055 | 6200004961 | S.COI NLV25T-R33J | B | 99.2/29.4 |
| L1081 | 6200010910 | S.COI LQW18AN56NG00D | T | 79.1/15.1 |
| L1082 | 6200010910 | S.COI LQW18AN56NG00D | T | 75.2/15.1 |
| L1101 | 6200011770 | S.COI LQW18ANR10G00D | T | 59.4/4.4 |
| L1102 | 6200011670 | S.COI LQW18AN82NG00D | T | 56.2/5.2 |
| L1103 | 6200011650 | S.COI LQW18AN68NG00D | T | 54.0/6.0 |
| L1104 | 6200011650 | S.COI LQW18AN68NG00D | T | 52.1/6.8 |
| L1105 | 6200011770 | S.COI LQW18ANR10G00D | T | 49.7/6.8 |
| L1171 | 6200001910 | S.COI NLV25T-1R0J | T | 44.7/6.8 |

[PLL UNIT]

| REF NO. | PARTS NO. | DESCRIPTION | M. | H/V LOCATION |
|---------|------------|--|----|--------------|
| L1172 | 6200010910 | S.COI LQW18AN56NG00D | T | 37.5/9.5 |
| L1173 | 6200010910 | S.COI LQW18AN56NG00D | T | 37.5/7.1 |
| L1174 | 6200011670 | S.COI LQW18AN82NG00D | T | 37.5/3.5 |
| L1175 | 6200004741 | S.COI NLV25T-1R2J | B | 34.9/2.4 |
| L1176 | 6200012700 | S.COI 0.50-2.0-6TL 35.0N <COMO> | T | 33.1/5.4 |
| L1177 | 6200012700 | S.COI 0.50-2.0-6TL 35.0N <COMO> | T | 19.4/5.4 |
| L1178 | 6200004741 | S.COI NLV25T-1R2J | B | 16.9/2.4 |
| L1201 | 6200009250 | S.COI LQW18ANR22G00D (LQW1608AR22G00D) | T | 87.9/3.8 |
| L1202 | 6200011770 | S.COI LQW18ANR10G00D | T | 88.3/5.8 |
| L1203 | 6200011580 | S.COI LQW18AN33NG00D | T | 92.7/6.8 |
| L1204 | 6200011650 | S.COI LQW18AN68NG00D | T | 94.6/8.5 |
| L1205 | 6200004790 | S.COI MLF1608D R47K-T | T | 103.3/7.2 |
| L1206 | 6200005011 | S.COI NLV25T-100J | B | 91.2/4.5 |
| L1233 | 6200011590 | S.COI LQW18AN39NG00D | T | 108.0/16.6 |
| L1234 | 6200009290 | S.COI LQW18AN47NG00D (LQW1608A47NG00D) | T | 110.1/18.8 |
| L1235 | 6200009280 | S.COI LQW18AN27NG00D (LQW1608A27NG00D) | T | 106.7/22.0 |
| L1236 | 6200011590 | S.COI LQW18AN39NG00D | T | 106.1/24.2 |
| L1255 | 6200004961 | S.COI NLV25T-R33J | T | 109.2/30.2 |
| L1273 | 6200009070 | S.COI LQW18AN18NG00D (LQW1608A18NG00D) | T | 112.0/36.4 |
| L1274 | 6200010850 | S.COI LQW18AN22NG00D (LQW1608A22NG00D) | T | 109.7/37.2 |
| L1275 | 6200009220 | S.COI LQW18AN15NG00D (LQW1608A15NG00D) | T | 106.5/39.1 |
| L1276 | 6200010850 | S.COI LQW18AN22NG00D (LQW1608A22NG00D) | T | 107.0/41.1 |
| L1282 | 6200010850 | S.COI LQW18AN22NG00D (LQW1608A22NG00D) | T | 108.9/43.0 |
| L1283 | 6200010850 | S.COI LQW18AN22NG00D (LQW1608A22NG00D) | T | 110.9/44.7 |
| L1301 | 6200005180 | S.COI MLF1608D R39K-T | T | 75.0/37.9 |
| L1302 | 6200004940 | S.COI MLF1608D R27K-T | T | 76.9/38.4 |
| L1303 | 6200004590 | S.COI MLF1608D R18K-T | T | 78.9/40.6 |
| L1304 | 6200004940 | S.COI MLF1608D R27K-T | T | 80.8/38.4 |
| L1501 | 6200005011 | S.COI NLV25T-100J | B | 51.5/76.1 |
| L1521 | 6200009871 | S.COI NLV25T-120J | T | 41.7/63.1 |
| L1530 | 6200005491 | S.COI NLV32T-331J | B | 30.0/67.9 |
| L1531 | 6200014090 | S.COI NLFV32T-331K-EF | B | 50.9/110.7 |
| L1532 | 6200002041 | S.COI NLV25T-101J | T | 35.0/65.6 |
| L1701 | 6200003661 | S.COI NLV25T-R68J | T | 34.6/104.7 |
| L1702 | 6200003661 | S.COI NLV25T-R68J | T | 33.2/100.6 |
| L1703 | 6200003661 | S.COI NLV25T-R68J | T | 28.9/103.3 |
| L1801 | 6200004741 | S.COI NLV25T-1R2J | B | 37.0/75.3 |
| L1802 | 6200004741 | S.COI NLV25T-1R2J | B | 37.4/77.8 |
| L1803 | 6200004741 | S.COI NLV25T-1R2J | B | 29.6/81.8 |
| L1851 | 6200002911 | S.COI NLV25T-R27J | B | 36.8/96.7 |
| L1871 | 6140002810 | S.COI LR-317 | T | 42.2/94.4 |
| L1872 | 6140002810 | S.COI LR-317 | T | 42.0/83.0 |
| L1881 | 6200005140 | S.COI MLF1608D R33K-T | T | 37.0/83.0 |
| L1882 | 6200005140 | S.COI MLF1608D R33K-T | T | 26.6/86.7 |
| L1901 | 6200003661 | S.COI NLV25T-R68J | T | 26.4/65.2 |
| L1902 | 6200003661 | S.COI NLV25T-R68J | T | 23.9/69.5 |
| L1903 | 6200002851 | S.COI NLV25T-R82J | T | 26.7/71.5 |
| L2001 | 6200005011 | S.COI NLV25T-100J | B | 102.7/75.4 |
| L2021 | 6200009871 | S.COI NLV25T-120J | T | 90.3/101.6 |
| L2032 | 6200002041 | S.COI NLV25T-101J | B | 98.9/101.7 |
| L2101 | 6200002851 | S.COI NLV25T-R82J | B | 104.3/102.4 |
| L2102 | 6200002851 | S.COI NLV25T-R82J | B | 109.5/101.3 |
| L2103 | 6200001981 | S.COI NLV25T-1R0J | T | 110.5/102.9 |
| L2151 | 6200003350 | S.COI ELJNC R27K-F | T | 84.3/116.7 |
| L2171 | 6140002810 | S.COI LR-317 | T | 91.6/115.7 |
| L2172 | 6140002810 | S.COI LR-317 | T | 102.8/115.7 |
| L2181 | 6200010870 | S.COI C2520C-R33G-A (0.33U) | T | 103.7/108.1 |
| L2182 | 6200010870 | S.COI C2520C-R33G-A (0.33U) | T | 89.1/108.4 |
| R1 | 7030003360 | S.RES ERJ3GEYJ 221 V (220) | T | 8.0/26.3 |
| R2 | 7030003360 | S.RES ERJ3GEYJ 221 V (220) | T | 11.4/29.3 |
| R3 | 7030003360 | S.RES ERJ3GEYJ 221 V (220) | T | 6.8/26.3 |
| R4 | 7030003360 | S.RES ERJ3GEYJ 221 V (220) | T | 11.4/32.1 |
| R5 | 7030003360 | S.RES ERJ3GEYJ 221 V (220) | T | 5.5/26.3 |
| R12 | 7030003360 | S.RES ERJ3GEYJ 221 V (220) | T | 12.6/42.1 |
| R13 | 7030003360 | S.RES ERJ3GEYJ 221 V (220) | T | 4.7/41.7 |
| R14 | 7030003360 | S.RES ERJ3GEYJ 221 V (220) | T | 12.6/43.4 |
| R15 | 7030003360 | S.RES ERJ3GEYJ 221 V (220) | T | 4.7/42.9 |
| R16 | 7030003360 | S.RES ERJ3GEYJ 221 V (220) | T | 12.6/44.6 |
| R17 | 7030003360 | S.RES ERJ3GEYJ 221 V (220) | T | 4.7/44.1 |
| R18 | 7030003360 | S.RES ERJ3GEYJ 221 V (220) | T | 12.6/45.8 |
| R19 | 7030003360 | S.RES ERJ3GEYJ 221 V (220) | T | 4.7/45.3 |
| R20 | 7030003360 | S.RES ERJ3GEYJ 221 V (220) | T | 12.6/47.0 |
| R21 | 7030003860 | S.RES ERJ3GE JPW V | T | 4.7/46.5 |
| R22 | 7030003360 | S.RES ERJ3GEYJ 221 V (220) | T | 12.7/48.7 |
| R23 | 7030003360 | S.RES ERJ3GEYJ 221 V (220) | T | 4.7/47.7 |
| R24 | 7030003360 | S.RES ERJ3GEYJ 221 V (220) | T | 12.7/49.6 |
| R81 | 7030003360 | S.RES ERJ3GEYJ 221 V (220) | T | 10.0/73.0 |
| R82 | 7030003360 | S.RES ERJ3GEYJ 221 V (220) | T | 10.0/74.8 |
| R87 | 7030003360 | S.RES ERJ3GEYJ 221 V (220) | T | 10.0/68.8 |
| R88 | 7030003860 | S.RES ERJ3GE JPW V | T | 10.0/67.6 |
| R89 | 7030003360 | S.RES ERJ3GEYJ 221 V (220) | T | 10.0/66.4 |
| R90 | 7030003360 | S.RES ERJ3GEYJ 221 V (220) | T | 10.0/65.2 |
| R91 | 7030003360 | S.RES ERJ3GEYJ 221 V (220) | T | 10.0/64.0 |
| R92 | 7030003360 | S.RES ERJ3GEYJ 221 V (220) | T | 10.0/62.8 |
| R93 | 7030003360 | S.RES ERJ3GEYJ 221 V (220) | T | 10.0/61.6 |
| R94 | 703 | | | |

[PLL UNIT]

| REF NO. | PARTS NO. | DESCRIPTION | M. | H/V LOCATION |
|---------|------------|----------------------------|----|--------------|
| R121 | 7030010660 | S.RES ERJ1TYJ 6R8U (6.8) | B | 5.8/68.7 |
| R122 | 7030010660 | S.RES ERJ1TYJ 6R8U (6.8) | B | 2.1/66.8 |
| R151 | 7030003670 | S.RES ERJ3GEYJ 823V (82K) | B | 112.9/66.4 |
| R152 | 7030003610 | S.RES ERJ3GEYJ 273V (27K) | B | 112.1/72.5 |
| R153 | 7030003620 | S.RES ERJ3GEYJ 333V (33K) | B | 112.9/70.1 |
| R154 | 7030003200 | S.RES ERJ3GEYJ 100V (10) | T | 108.6/73.3 |
| R155 | 7030003580 | S.RES ERJ3GEYJ 153V (15K) | T | 109.1/70.2 |
| R156 | 7030003600 | S.RES ERJ3GEYJ 223V (22K) | T | 108.6/72.1 |
| R157 | 7030003360 | S.RES ERJ3GEYJ 221V (220) | T | 105.9/72.9 |
| R201 | 7030003320 | S.RES ERJ3GEYJ 101V (100) | B | 98.6/64.4 |
| R202 | 7030003660 | S.RES ERJ3GEYJ 683V (68K) | B | 98.6/61.1 |
| R203 | 7030003360 | S.RES ERJ3GEYJ 221V (220) | B | 101.7/58.4 |
| R204 | 7030003280 | S.RES ERJ3GEYJ 470V (47) | T | 97.9/59.2 |
| R205 | 7030003360 | S.RES ERJ3GEYJ 221V (220) | B | 72.9/65.5 |
| R206 | 7030003360 | S.RES ERJ3GEYJ 221V (220) | B | 106.4/65.5 |
| R207 | 7030003360 | S.RES ERJ3GEYJ 221V (220) | B | 104.6/65.5 |
| R208 | 7030003560 | S.RES ERJ3GEYJ 103V (10K) | T | 106.3/65.3 |
| R221 | 7030005351 | S.RES ERA3YED 182V (1.8K) | T | 99.8/65.5 |
| R222 | 7030003860 | S.RES ERJ3GE JPW V | T | 99.8/66.7 |
| R251 | 7030003560 | S.RES ERJ3GEYJ 103V (10K) | T | 79.1/55.9 |
| R252 | 7030003560 | S.RES ERJ3GEYJ 103V (10K) | T | 79.1/54.7 |
| R253 | 7030003450 | S.RES ERJ3GEYJ 122V (1.2K) | T | 81.1/61.0 |
| R254 | 7030003440 | S.RES ERJ3GEYJ 102V (1K) | B | 72.9/62.4 |
| R255 | 7030003200 | S.RES ERJ3GEYJ 100V (10) | B | 71.1/60.9 |
| R256 | 7030003250 | S.RES ERJ3GEYJ 270V (27) | T | 68.1/62.0 |
| R271 | 7030003490 | S.RES ERJ3GEYJ 272V (2.7K) | B | 82.6/54.3 |
| R272 | 7030003510 | S.RES ERJ3GEYJ 392V (3.9K) | B | 83.0/48.3 |
| R273 | 7030003360 | S.RES ERJ3GEYJ 221V (220) | B | 76.0/51.1 |
| R274 | 7030003260 | S.RES ERJ3GEYJ 330V (33) | B | 74.9/47.4 |
| R275 | 7030003320 | S.RES ERJ3GEYJ 101V (100) | B | 75.3/54.3 |
| R276 | 7030003240 | S.RES ERJ3GEYJ 220V (22) | B | 75.2/44.9 |
| R277 | 7030003200 | S.RES ERJ3GEYJ 100V (10) | B | 83.2/56.7 |
| R291 | 7030003490 | S.RES ERJ3GEYJ 272V (2.7K) | T | 87.8/53.4 |
| R292 | 7030003510 | S.RES ERJ3GEYJ 392V (3.9K) | T | 85.8/52.7 |
| R293 | 7030003360 | S.RES ERJ3GEYJ 221V (220) | T | 92.3/52.6 |
| R294 | 7030003240 | S.RES ERJ3GEYJ 220V (22) | B | 92.3/52.6 |
| R295 | 7030003320 | S.RES ERJ3GEYJ 101V (100) | B | 87.9/52.0 |
| R297 | 7030003200 | S.RES ERJ3GEYJ 100V (10) | B | 86.2/56.2 |
| R301 | 7030003490 | S.RES ERJ3GEYJ 272V (2.7K) | T | 54.7/37.4 |
| R302 | 7030003510 | S.RES ERJ3GEYJ 392V (3.9K) | T | 54.7/39.0 |
| R303 | 7030003360 | S.RES ERJ3GEYJ 221V (220) | T | 52.0/39.0 |
| R304 | 7030003240 | S.RES ERJ3GEYJ 220V (22) | T | 52.0/37.8 |
| R305 | 7030003320 | S.RES ERJ3GEYJ 101V (100) | B | 50.6/34.1 |
| R351 | 7030003280 | S.RES ERJ3GEYJ 470V (47) | T | 44.2/31.0 |
| R352 | 7030003510 | S.RES ERJ3GEYJ 392V (3.9K) | T | 44.2/22.6 |
| R353 | 7030003320 | S.RES ERJ3GEYJ 101V (100) | B | 46.3/18.3 |
| R354 | 7030003320 | S.RES ERJ3GEYJ 101V (100) | B | 47.8/16.7 |
| R355 | 7030003360 | S.RES ERJ3GEYJ 221V (220) | B | 57.2/27.9 |
| R356 | 7030003360 | S.RES ERJ3GEYJ 221V (220) | B | 58.5/27.1 |
| R357 | 7030003360 | S.RES ERJ3GEYJ 221V (220) | B | 55.0/29.2 |
| R358 | 7030003360 | S.RES ERJ3GEYJ 221V (220) | B | 55.6/26.9 |
| R359 | 7030003360 | S.RES ERJ3GEYJ 221V (220) | B | 59.8/27.9 |
| R405 | 7030003860 | S.RES ERJ3GE JPW V | T | 45.1/78.8 |
| R408 | 7030003860 | S.RES ERJ3GE JPW V | T | 45.1/77.6 |
| R411 | 7030003440 | S.RES ERJ3GEYJ 102V (1K) | T | 51.6/81.6 |
| R421 | 7030003440 | S.RES ERJ3GEYJ 102V (1K) | T | 71.15/72.45 |
| R422 | 7030003320 | S.RES ERJ3GEYJ 101V (100) | T | 71.2/71.2 |
| R423 | 7030003440 | S.RES ERJ3GEYJ 102V (1K) | T | 71.2/69.9 |
| R424 | 7030003640 | S.RES ERJ3GEYJ 473V (47K) | T | 71.2/68.6 |
| R451 | 7030003440 | S.RES ERJ3GEYJ 102V (1K) | B | 27.25/33.55 |
| R452 | 7030003320 | S.RES ERJ3GEYJ 101V (100) | B | 27.3/28.9 |
| R453 | 7030003440 | S.RES ERJ3GEYJ 102V (1K) | B | 27.3/25.8 |
| R454 | 7030003640 | S.RES ERJ3GEYJ 473V (47K) | T | 23.2/30.2 |
| R501 | 7030003440 | S.RES ERJ3GEYJ 102V (1K) | T | 34.1/20.2 |
| R502 | 7030003860 | S.RES ERJ3GE JPW V | T | 33.4/22.1 |
| R504 | 7030003200 | S.RES ERJ3GEYJ 100V (10) | B | 24.8/23.0 |
| R505 | 7030003440 | S.RES ERJ3GEYJ 102V (1K) | B | 23.2/23.0 |
| R506 | 7030003640 | S.RES ERJ3GEYJ 473V (47K) | T | 22.0/26.6 |
| R508 | 7030003860 | S.RES ERJ3GE JPW V | B | 16.0/20.2 |
| R551 | 7030003320 | S.RES ERJ3GEYJ 101V (100) | T | 95.2/69.6 |
| R552 | 7030003600 | S.RES ERJ3GEYJ 223V (22K) | T | 93.3/69.1 |
| R553 | 7030003560 | S.RES ERJ3GEYJ 103V (10K) | T | 95.7/71.8 |
| R554 | 7030003360 | S.RES ERJ3GEYJ 221V (220) | T | 94.5/71.8 |
| R555 | 7030003320 | S.RES ERJ3GEYJ 101V (100) | T | 79.8/72.8 |
| R571 | 7030003480 | S.RES ERJ3GEYJ 222V (2.2K) | B | 87.2/87.7 |
| R572 | 7030003580 | S.RES ERJ3GEYJ 153V (15K) | T | 86.1/90.4 |
| R573 | 7030003620 | S.RES ERJ3GEYJ 333V (33K) | B | 85.1/90.1 |
| R574 | 7030003360 | S.RES ERJ3GEYJ 221V (220) | B | 87.5/91.1 |
| R575 | 7030003320 | S.RES ERJ3GEYJ 101V (100) | B | 81.1/91.0 |
| R576 | 7030003440 | S.RES ERJ3GEYJ 102V (1K) | B | 83.4/92.8 |
| R577 | 7030003410 | S.RES ERJ3GEYJ 561V (560) | B | 88.3/102.2 |
| R578 | 7030007860 | S.RES ERJ3GEYJ 8R2V (8.2) | B | 85.3/100.2 |
| R579 | 7030003410 | S.RES ERJ3GEYJ 561V (560) | B | 82.0/100.2 |
| R661 | 7030003360 | S.RES ERJ3GEYJ 221V (220) | T | 63.1/104.1 |
| R662 | 7030003640 | S.RES ERJ3GEYJ 473V (47K) | T | 65.8/103.8 |
| R664 | 7030003320 | S.RES ERJ3GEYJ 101V (100) | T | 67.7/104.4 |
| R665 | 7030003400 | S.RES ERJ3GEYJ 471V (470) | T | 77.1/110.7 |
| R666 | 7030003560 | S.RES ERJ3GEYJ 103V (10K) | T | 77.1/103.8 |
| R667 | 7030003560 | S.RES ERJ3GEYJ 103V (10K) | T | 77.1/105.1 |
| R674 | 7030003860 | S.RES ERJ3GE JPW V | T | 74.0/110.2 |
| R677 | 7030003340 | S.RES ERJ3GEYJ 151V (150) | B | 62.0/113.9 |
| R678 | 7030003270 | S.RES ERJ3GEYJ 390V (39) | B | 61.2/111.8 |
| R679 | 7030003340 | S.RES ERJ3GEYJ 151V (150) | B | 60.4/113.9 |
| R701 | 7030003360 | S.RES ERJ3GEYJ 221V (220) | B | 73.9/98.1 |
| R702 | 7030003640 | S.RES ERJ3GEYJ 473V (47K) | T | 74.3/96.3 |
| R703 | 7030007220 | S.RES ERA3YED 202V (2K) | T | 52.0/96.1 |
| R704 | 7030007220 | S.RES ERA3YED 202V (2K) | T | 54.8/96.1 |
| R705 | 7030007230 | S.RES ERA3YED 102V (1K) | T | 52.0/94.9 |
| R706 | 7030007220 | S.RES ERA3YED 202V (2K) | T | 54.8/94.9 |
| R707 | 7030007230 | S.RES ERA3YED 102V (1K) | T | 52.0/93.7 |
| R708 | 7030007220 | S.RES ERA3YED 202V (2K) | T | 54.8/93.7 |
| R709 | 7030007230 | S.RES ERA3YED 102V (1K) | T | 52.0/92.5 |
| R710 | 7030007220 | S.RES ERA3YED 202V (2K) | T | 54.8/92.5 |
| R711 | 7030007230 | S.RES ERA3YED 102V (1K) | T | 52.0/91.3 |
| R712 | 7030007220 | S.RES ERA3YED 202V (2K) | T | 54.8/90.1 |

[PLL UNIT]

| REF NO. | PARTS NO. | DESCRIPTION | M. | H/V LOCATION |
|---------|------------|----------------------------|----|--------------|
| R713 | 7030007230 | S.RES ERA3YED 102V (1K) | T | 52.0/90.0 |
| R714 | 7030007220 | S.RES ERA3YED 202V (2K) | T | 54.8/88.9 |
| R715 | 7030007230 | S.RES ERA3YED 102V (1K) | T | 52.0/88.8 |
| R716 | 7030007220 | S.RES ERA3YED 202V (2K) | T | 54.8/87.7 |
| R717 | 7030007210 | S.RES ERA3YED 102V (1K) | T | 52.0/87.6 |
| R718 | 7030007200 | S.RES ERA3YED 202V (2K) | T | 54.8/86.5 |
| R719 | 7030007210 | S.RES ERA3YED 102V (1K) | T | 52.0/86.4 |
| R720 | 7030007200 | S.RES ERA3YED 202V (2K) | T | 54.8/85.3 |
| R721 | 7030007210 | S.RES ERA3YED 102V (1K) | T | 52.0/85.2 |
| R722 | 7030007200 | S.RES ERA3YED 202V (2K) | T | 54.8/84.1 |
| R723 | 7030003320 | S.RES ERJ3GEYJ 101V (100) | T | 72.3/97.1 |
| R724 | 7030003480 | S.RES ERJ3GEYJ 222V (2.2K) | B | 68.6/73.3 |
| R725 | 7030003480 | S.RES ERJ3GEYJ 222V (2.2K) | B | 70.4/93.3 |
| R726 | 7030003360 | S.RES ERJ3GEYJ 221V (220) | B | 73.3/88.7 |
| R727 | 7030003360 | S.RES ERJ3GEYJ 221V (220) | B | 74.1/85.5 |
| R728 | 7030003360 | S.RES ERJ3GEYJ 221V (220) | B | 75.0/83.9 |
| R729 | 7030003360 | S.RES ERJ3GEYJ 221V (220) | B | 74.1/87.1 |
| R730 | 7030003360 | S.RES ERJ3GEYJ 221V (220) | B | 64.8/79.6 |
| R731 | 7030003440 | S.RES ERJ3GEYJ 102V (1K) | T | 48.6/85.0 |
| R732 | 7030003480 | S.RES ERJ3GEYJ 222V (2.2K) | T | 48.6/86.2 |
| R733 | 7030003580 | S.RES ERJ3GEYJ 153V (15K) | T | 48.6/90.6 |
| R734 | 7030003600 | S.RES ERJ3GEYJ 223V (22K) | T | 48.6/88.6 |
| R735 | 7030003320 | S.RES ERJ3GEYJ 101V (100) | T | 49.4/95.6 |
| R801 | 7030003360 | S.RES ERJ3GEYJ 221V (220) | B | 43.5/96.6 |
| R802 | 7030003360 | S.RES ERJ3GEYJ 221V (220) | T | 46.0/104.4 |
| R803 | 7030003640 | S.RES ERJ3GEYJ 473V (47K) | T | 19.8/84.8 |
| R804 | 7030003410 | S.RES ERJ3GEYJ 561V (560) | T | 23.5/109.1 |
| R805 | 7030007860 | S.RES ERJ3GEYJ 8R2V (8.2) | T | 22.8/111.0 |
| R806 | 7030003410 | S.RES ERJ3GEYJ 561V (560) | T | 22.0/109.1 |
| R809 | 7030003860 | S.RES ERJ3GE JPW V | T | 25.4/109.8 |
| R850 | 7030003600 | S.RES ERJ3GEYJ 223V (22K) | T | 24.0/100.1 |
| R851 | 7030003640 | S.RES ERJ3GEYJ 473V (47K) | T | 25.0/103.2 |
| R852 | 7030003360 | S.RES ERJ3GEYJ 221V (220) | T | 52.7/104.2 |
| R853 | 7030003330 | S.RES ERJ3GEYJ 121V (120) | T | 48.2/113.8 |
| R854 | 7030003390 | S.RES ERJ3GEYJ 560V (56) | T | 48.9/115.7 |
| R855 | 7030003230 | S.RES ERJ3GEYJ 121V (120) | T | 47.6/115.7 |
| R857 | 7030003860 | S.RES ERJ3GE JPW V | T | 50.5/111.9 |
| R900 | 7030003600 | S.RES ERJ3GEYJ 223V (22K) | B | 20.2/107.5 |
| R901 | 7030003360 | S.RES ERJ3GEYJ 221V (220) | B | 40.4/116.9 |
| R902 | 7030003580 | S.RES ERJ3GEYJ 153V (15K) | B | 31.7/116.0 |
| R903 | 7030003620 | S.RES ERJ3GEYJ 330V (33K) | B | 35.2/116.2 |
| R904 | 7030003320 | S.RES ERJ3GEYJ 101V (100) | B | 27.1/113.6 |
| R905 | 7030003360 | S.RES ERJ3GEYJ 221V (220) | B | 35.9/111.4 |
| R906 | 7030003410 | S.RES ERJ3GEYJ 561V (560) | B | 33.8/108.6 |
| R907 | 7030007860 | S.RES ERJ3GEYJ 8R2V (8.2) | B | 33.8/110.1 |
| R908 | 7030003410 | S.RES ERJ3GEYJ 561V (560) | B | 35.9/109.3 |
| R909 | 7030003480 | S.RES ERJ3GEYJ 222V (2.2K) | B | 29.0/112.4 |
| R981 | 7030003410 | S.RES ERJ3GEYJ 561V (560) | T | 18.4/116.6 |
| R982 | 7030007860 | S.RES ERJ3GEYJ 8R2V (8.2) | T | 18.4/114.6 |
| R983 | 7030003410 | S.RES ERJ3GEYJ 561V (560) | T | 16.9/116.6 |
| R984 | 7030003410 | S.RES ERJ3GEYJ 561V (560) | T | 19.3/101.4 |
| R985 | 7030007860 | S.RES ERJ3GEYJ 8R2V (8.2) | T | 18.5/99.6 |
| R986 | 7030003410 | S.RES ERJ3GEYJ 561V (560) | T | 19.8/98.6 |
| R1001 | 7030003490 | S.RES ERJ3GEYJ 272V (2.7K) | T | 74.2/29.3 |
| R1002 | 7030003510 | S.RES ERJ3GEYJ 392V (3.9K) | T | 73.0/30.1 |
| R1003 | 7030003360 | S.RES ERJ3GEYJ 221V (220) | T | 78.0/29.3 |
| R1004 | 7030003240 | S.RES ERJ3GEYJ 220V (22) | T | 79.2/29.3 |
| R1005 | 7030003320 | S.RES ERJ3GEYJ 101V (100) | T | 74.8/32.0 |
| R1051 | 7030003280 | S.RES ERJ3GEYJ 470V (47) | T | 88.2/32.0 |
| R1052 | 7030003510 | S.RES ERJ3GEYJ 392V (3.9K) | T | 86.3/19.0 |
| R1053 | 7030003320 | S.RES ERJ3GEYJ 101V (100) | B | 83.6/20.5 |
| R1054 | 7030003320 | S.RES ERJ3GEYJ 101V (100) | B | 85.2/22.0 |
| R1055 | 7030003360 | S.RES ERJ3GEYJ 221V (220) | B | 97.0/22.7 |
| R1056 | 7030003360 | S.RES ERJ3GEYJ 221V (220) | B | 100.2/22.7 |
| R1057 | 7030003360 | S.RES ERJ3GEYJ 221V (220) | B | 97.8/25.0 |
| R1058 | 7030003360 | S.RES ERJ3GEYJ 221V (220) | B | 98.6/22.7 |
| R1059 | 7030003360 | S.RES ERJ3GEYJ 221V (220) | B | 99.0/18.3 |
| R1171 | 7030003320 | S.RES ERJ3GEYJ 101V (100) | T | 49.7/4.1 |
| R1172 | 7030003290 | S.RES ERJ3GEYJ 560V (56) | T | 48.5/6.8 |
| R1173 | 7030003320 | S.RES ERJ3GEYJ 101V (100) | T | 48.5/4.1 |
| R1174 | 7030003200 | S.RES ERJ3GEYJ 100V (10) | B | 46.0/3.7 |
| R1178 | 7030003360 | S.RES ERJ3GEYJ 221V (220) | B | 29.5/9.1 |
| R1179 | 7030003240 | S.RES ERJ3GEYJ 220V (22) | B | 27.0/8.3 |
| R1180 | 7030003360 | S.RES ERJ3GEYJ 221V (220) | B | 24.6/9.1 |
| R1181 | 703000 | | | |

[PLL UNIT]

| REF NO. | PARTS NO. | DESCRIPTION | M. | H/V LOCATION |
|---------|------------|-----------------------------|----|--------------|
| R1458 | 7030003500 | S.RES ERJ3GEYJ 332 V (3.3K) | B | 73.5/21.4 |
| R1459 | 7030003540 | S.RES ERJ3GEYJ 682 V (6.8K) | B | 74.5/24.6 |
| R1460 | 7030003500 | S.RES ERJ3GEYJ 332 V (3.3K) | B | 73.2/23.9 |
| R1461 | 7030003540 | S.RES ERJ3GEYJ 682 V (6.8K) | B | 58.0/50.0 |
| R1462 | 7030003500 | S.RES ERJ3GEYJ 332 V (3.3K) | B | 55.8/48.2 |
| R1463 | 7030003540 | S.RES ERJ3GEYJ 682 V (6.8K) | T | 65.4/8.0 |
| R1464 | 7030003500 | S.RES ERJ3GEYJ 332 V (3.3K) | T | 65.4/6.8 |
| R1465 | 7030003540 | S.RES ERJ3GEYJ 682 V (6.8K) | B | 80.4/4.9 |
| R1466 | 7030003500 | S.RES ERJ3GEYJ 332 V (3.3K) | B | 80.4/3.3 |
| R1467 | 7030003540 | S.RES ERJ3GEYJ 682 V (6.8K) | B | 70.9/42.9 |
| R1468 | 7030003500 | S.RES ERJ3GEYJ 332 V (3.3K) | B | 71.6/40.5 |
| R1469 | 7030003330 | S.RES ERJ3GEYJ 121 V (120) | B | 57.9/45.3 |
| R1470 | 7030003280 | S.RES ERJ3GEYJ 470 V (47) | B | 59.5/46.1 |
| R1471 | 7030003330 | S.RES ERJ3GEYJ 121 V (120) | B | 59.2/48.3 |
| R1472 | 7030003330 | S.RES ERJ3GEYJ 121 V (120) | B | 66.1/44.1 |
| R1473 | 7030003280 | S.RES ERJ3GEYJ 470 V (47) | B | 63.5/45.2 |
| R1474 | 7030003330 | S.RES ERJ3GEYJ 121 V (120) | B | 62.8/47.3 |
| R1501 | 7030003360 | S.RES ERJ3GEYJ 221 V (220) | B | 67.2/69.3 |
| R1502 | 7030003640 | S.RES ERJ3GEYJ 473 V (47K) | T | 63.7/75.8 |
| R1503 | 7030007220 | S.RES ERA3YED 202V (2K) | T | 42.0/75.8 |
| R1504 | 7030007220 | S.RES ERA3YED 202V (2K) | T | 44.8/75.8 |
| R1505 | 7030007230 | S.RES ERA3YED 102V (1K) | T | 42.0/74.6 |
| R1506 | 7030007220 | S.RES ERA3YED 202V (2K) | T | 44.8/74.6 |
| R1507 | 7030007230 | S.RES ERA3YED 102V (1K) | T | 42.0/73.4 |
| R1508 | 7030007220 | S.RES ERA3YED 202V (2K) | T | 44.8/73.4 |
| R1509 | 7030007230 | S.RES ERA3YED 102V (1K) | T | 42.0/72.2 |
| R1510 | 7030007220 | S.RES ERA3YED 202V (2K) | T | 44.8/72.2 |
| R1511 | 7030007230 | S.RES ERA3YED 102V (1K) | T | 42.0/71.0 |
| R1512 | 7030007220 | S.RES ERA3YED 202V (2K) | T | 44.8/69.8 |
| R1513 | 7030007230 | S.RES ERA3YED 102V (1K) | T | 42.0/69.8 |
| R1514 | 7030007220 | S.RES ERA3YED 202V (2K) | T | 44.8/68.6 |
| R1515 | 7030007230 | S.RES ERA3YED 102V (1K) | T | 42.0/68.6 |
| R1516 | 7030007220 | S.RES ERA3YED 202V (2K) | T | 44.8/67.4 |
| R1517 | 7030007210 | S.RES ERA3YEB 102V (1K) | T | 42.0/67.4 |
| R1518 | 7030007200 | S.RES ERA3YEB 202V (2K) | T | 44.8/66.2 |
| R1519 | 7030007210 | S.RES ERA3YEB 102V (1K) | T | 42.0/66.2 |
| R1520 | 7030007200 | S.RES ERA3YEB 202V (2K) | T | 44.8/65.0 |
| R1521 | 7030007210 | S.RES ERA3YEB 102V (1K) | T | 42.0/65.0 |
| R1522 | 7030007200 | S.RES ERA3YEB 202V (2K) | T | 44.8/63.8 |
| R1523 | 7030003320 | S.RES ERJ3GEYJ 101 V (100) | T | 63.8/77.0 |
| R1526 | 7030003360 | S.RES ERJ3GEYJ 221 V (220) | B | 63.4/66.5 |
| R1527 | 7030003360 | S.RES ERJ3GEYJ 221 V (220) | B | 62.2/68.7 |
| R1528 | 7030003360 | S.RES ERJ3GEYJ 221 V (220) | B | 64.0/70.7 |
| R1530 | 7030003360 | S.RES ERJ3GEYJ 221 V (220) | B | 60.7/64.0 |
| R1531 | 7030003440 | S.RES ERJ3GEYJ 102 V (1K) | T | 38.6/64.3 |
| R1532 | 7030003480 | S.RES ERJ3GEYJ 222 V (2.2K) | T | 38.6/65.5 |
| R1533 | 7030003580 | S.RES ERJ3GEYJ 153 V (15K) | T | 38.6/69.7 |
| R1534 | 7030003600 | S.RES ERJ3GEYJ 223 V (22K) | T | 38.6/67.9 |
| R1535 | 7030003320 | S.RES ERJ3GEYJ 101 V (100) | T | 39.2/74.9 |
| R1536 | 7030003360 | S.RES ERJ3GEYJ 221 V (220) | B | 33.6/68.5 |
| R1541 | 7030003860 | S.RES ERJ3GE JPW V | B | 70.5/78.2 |
| R1542 | 7030003860 | S.RES ERJ3GE JPW V | B | 64.8/77.0 |
| R1601 | 7030003360 | S.RES ERJ3GEYJ 221 V (220) | B | 52.2/107.3 |
| R1606 | 7030003640 | S.RES ERJ3GEYJ 473 V (47K) | T | 21.1/73.3 |
| R1701 | 7030003440 | S.RES ERJ3GEYJ 102 V (1K) | T | 43.1/100.4 |
| R1702 | 7030003440 | S.RES ERJ3GEYJ 102 V (1K) | T | 43.1/101.7 |
| R1703 | 7030003340 | S.RES ERJ3GEYJ 151 V (150) | B | 29.9/100.2 |
| R1704 | 7030003270 | S.RES ERJ3GEYJ 390 V (39) | B | 29.1/98.3 |
| R1705 | 7030003340 | S.RES ERJ3GEYJ 151 V (150) | B | 29.9/96.4 |
| R1706 | 7030003640 | S.RES ERJ3GEYJ 473 V (47K) | T | 26.7/90.4 |
| R1707 | 7030003640 | S.RES ERJ3GEYJ 473 V (47K) | T | 18.2/76.6 |
| R1709 | 7030003860 | S.RES ERJ3GE JPW V | T | 29.2/101.4 |
| R1801 | 7030003440 | S.RES ERJ3GEYJ 102 V (1K) | B | 42.0/90.3 |
| R1802 | 7030003440 | S.RES ERJ3GEYJ 102 V (1K) | B | 32.8/71.2 |
| R1809 | 7030003860 | S.RES ERJ3GE JPW V | B | 33.9/82.3 |
| R1851 | 7030003360 | S.RES ERJ3GEYJ 221 V (220) | T | 49.8/99.8 |
| R1852 | 7030003580 | S.RES ERJ3GEYJ 153 V (15K) | B | 34.7/100.2 |
| R1853 | 7030003620 | S.RES ERJ3GEYJ 333 V (33K) | T | 45.4/97.8 |
| R1854 | 7030003320 | S.RES ERJ3GEYJ 101 V (100) | B | 32.5/97.1 |
| R1855 | 7030003360 | S.RES ERJ3GEYJ 221 V (220) | B | 39.6/96.5 |
| R1856 | 7030003480 | S.RES ERJ3GEYJ 222 V (2.2K) | B | 34.7/98.6 |
| R1871 | 7030003410 | S.RES ERJ3GEYJ 561 V (560) | T | 30.7/93.9 |
| R1872 | 7030007860 | S.RES ERJ3GEYJ 8R2V (8.2) | T | 37.0/96.5 |
| R1873 | 7030003410 | S.RES ERJ3GEYJ 561 V (560) | T | 38.3/96.5 |
| R1874 | 7030003410 | S.RES ERJ3GEYJ 561 V (560) | B | 39.9/85.5 |
| R1875 | 7030007860 | S.RES ERJ3GEYJ 8R2V (8.2) | T | 40.8/83.1 |
| R1876 | 7030003410 | S.RES ERJ3GEYJ 561 V (560) | B | 41.7/85.5 |
| R1881 | 7030003410 | S.RES ERJ3GEYJ 561 V (560) | B | 43.0/81.1 |
| R1882 | 7030007860 | S.RES ERJ3GEYJ 8R2V (8.2) | B | 40.8/81.4 |
| R1883 | 7030003410 | S.RES ERJ3GEYJ 561 V (560) | B | 40.3/79.0 |
| R1884 | 7030003410 | S.RES ERJ3GEYJ 561 V (560) | T | 29.4/81.6 |
| R1885 | 7030007860 | S.RES ERJ3GEYJ 8R2V (8.2) | T | 28.0/83.6 |
| R1886 | 7030003410 | S.RES ERJ3GEYJ 561 V (560) | T | 28.0/81.7 |
| R1901 | 7030003440 | S.RES ERJ3GEYJ 102 V (1K) | B | 44.4/87.3 |
| R1902 | 7030003440 | S.RES ERJ3GEYJ 102 V (1K) | T | 32.1/66.8 |
| R1903 | 7030003340 | S.RES ERJ3GEYJ 151 V (150) | T | 25.4/75.2 |
| R1904 | 7030003270 | S.RES ERJ3GEYJ 390 V (39) | T | 24.8/77.1 |
| R1905 | 7030003340 | S.RES ERJ3GEYJ 151 V (150) | T | 26.7/76.3 |
| R1906 | 7030003640 | S.RES ERJ3GEYJ 473 V (47K) | B | 39.4/88.6 |
| R1907 | 7030003640 | S.RES ERJ3GEYJ 473 V (47K) | T | 21.4/66.9 |
| R1909 | 7030003860 | S.RES ERJ3GE JPW V | T | 26.1/73.4 |
| R2001 | 7030003360 | S.RES ERJ3GEYJ 221 V (220) | T | 96.0/76.6 |
| R2002 | 7030003640 | S.RES ERJ3GEYJ 473 V (47K) | T | 104.7/77.2 |
| R2003 | 7030007220 | S.RES ERA3YED 202V (2K) | T | 103.6/98.5 |
| R2004 | 7030007220 | S.RES ERA3YED 202V (2K) | T | 103.6/95.7 |
| R2005 | 7030007230 | S.RES ERA3YED 102V (1K) | T | 102.4/98.5 |
| R2006 | 7030007220 | S.RES ERA3YED 202V (2K) | T | 102.4/95.7 |
| R2007 | 7030007230 | S.RES ERA3YED 102V (1K) | T | 101.2/98.5 |
| R2008 | 7030007220 | S.RES ERA3YED 202V (2K) | T | 101.2/95.7 |
| R2009 | 7030007230 | S.RES ERA3YED 102V (1K) | T | 100.0/98.5 |
| R2010 | 7030007220 | S.RES ERA3YED 202V (2K) | T | 100.0/95.7 |
| R2011 | 7030007230 | S.RES ERA3YED 102V (1K) | T | 98.8/98.5 |
| R2012 | 7030007220 | S.RES ERA3YED 202V (2K) | T | 97.6/95.7 |
| R2013 | 7030007230 | S.RES ERA3YED 102V (1K) | T | 97.6/98.5 |
| R2014 | 7030007220 | S.RES ERA3YED 202V (2K) | T | 96.4/95.7 |

[PLL UNIT]

| REF NO. | PARTS NO. | DESCRIPTION | M. | H/V LOCATION |
|---------|------------|-----------------------------|----|--------------|
| R2015 | 7030007230 | S.RES ERA3YED 102V (1K) | T | 96.4/98.5 |
| R2016 | 7030007220 | S.RES ERA3YED 202V (2K) | T | 95.2/95.7 |
| R2017 | 7030007210 | S.RES ERA3YEB 102V (1K) | T | 95.2/98.5 |
| R2018 | 7030007200 | S.RES ERA3YEB 202V (2K) | T | 94.0/98.5 |
| R2019 | 7030007210 | S.RES ERA3YEB 102V (1K) | T | 94.0/98.5 |
| R2020 | 7030007200 | S.RES ERA3YEB 202V (2K) | T | 92.8/95.7 |
| R2021 | 7030007210 | S.RES ERA3YEB 102V (1K) | T | 92.8/98.5 |
| R2022 | 7030007200 | S.RES ERA3YEB 202V (2K) | T | 91.6/95.7 |
| R2023 | 7030003320 | S.RES ERJ3GEYJ 101 V (100) | T | 104.3/80.7 |
| R2026 | 7030003360 | S.RES ERJ3GEYJ 221 V (220) | B | 92.9/79.3 |
| R2027 | 7030003360 | S.RES ERJ3GEYJ 221 V (220) | B | 98.4/79.3 |
| R2028 | 7030003360 | S.RES ERJ3GEYJ 221 V (220) | B | 97.6/77.7 |
| R2030 | 7030003360 | S.RES ERJ3GEYJ 221 V (220) | B | 91.0/88.7 |
| R2031 | 7030003440 | S.RES ERJ3GEYJ 102 V (1K) | T | 94.6/102.0 |
| R2032 | 7030003360 | S.RES ERJ3GEYJ 221 V (220) | T | 95.8/102.0 |
| R2033 | 7030003580 | S.RES ERJ3GEYJ 153 V (15K) | T | 99.4/102.0 |
| R2034 | 7030003600 | S.RES ERJ3GEYJ 223 V (22K) | T | 98.2/102.0 |
| R2035 | 7030003320 | S.RES ERJ3GEYJ 101 V (100) | T | 104.3/101.1 |
| R2107 | 7030003860 | S.RES ERJ3GE JPW V | T | 109.7/105.5 |
| R2121 | 7030003440 | S.RES ERJ3GEYJ 102 V (1K) | B | 104.8/108.4 |
| R2122 | 7030003300 | S.RES ERJ3GEYJ 680 V (68) | T | 84.6/108.5 |
| R2123 | 7030003640 | S.RES ERJ3GEYJ 473 V (47K) | T | 19.8/86.0 |
| R2124 | 7030003340 | S.RES ERJ3GEYJ 151 V (150) | T | 85.8/108.5 |
| R2125 | 7030003300 | S.RES ERJ3GEYJ 680 V (68) | T | 84.6/105.7 |
| R2151 | 7030003360 | S.RES ERJ3GEYJ 221 V (220) | T | 81.3/109.0 |
| R2152 | 7030003580 | S.RES ERJ3GEYJ 153 V (15K) | B | 83.8/114.1 |
| R2153 | 7030003620 | S.RES ERJ3GEYJ 333 V (33K) | T | 82.4/111.6 |
| R2154 | 7030003320 | S.RES ERJ3GEYJ 101 V (100) | B | 83.8/117.3 |
| R2155 | 7030003360 | S.RES ERJ3GEYJ 221 V (220) | T | 84.6/110.9 |
| R2156 | 7030003480 | S.RES ERJ3GEYJ 222 V (2.2K) | T | 86.4/116.4 |
| R2171 | 7030003410 | S.RES ERJ3GEYJ 561 V (560) | B | 89.2/114.5 |
| R2172 | 7030007860 | S.RES ERJ3GEYJ 8R2V (8.2) | B | 91.8/115.3 |
| R2173 | 7030003410 | S.RES ERJ3GEYJ 561 V (560) | B | 89.6/116.1 |
| R2174 | 7030003410 | S.RES ERJ3GEYJ 561 V (560) | B | 100.2/115.8 |
| R2175 | 7030007860 | S.RES ERJ3GEYJ 8R2V (8.2) | B | 102.3/115.0 |
| R2176 | 7030003410 | S.RES ERJ3GEYJ 561 V (560) | B | 102.3/114.2 |
| R2177 | 7030003440 | S.RES ERJ3GEYJ 102 V (1K) | B | 103.8/118.0 |
| R2181 | 7030003410 | S.RES ERJ3GEYJ 561 V (560) | B | 101.6/110.0 |
| R2182 | 7030007860 | S.RES ERJ3GEYJ 8R2V (8.2) | B | 103.2/110.3 |
| R2183 | 7030003410 | S.RES ERJ3GEYJ 561 V (560) | B | 102.4/107.9 |
| R2184 | 7030003410 | S.RES ERJ3GEYJ 561 V (560) | B | 90.7/108.1 |
| R2185 | 7030007860 | S.RES ERJ3GEYJ 8R2V (8.2) | B | 88.6/107.3 |
| R2186 | 7030003410 | S.RES ERJ3GEYJ 561 V (560) | B | 90.7/106.2 |
| R2187 | 7030003440 | S.RES ERJ3GEYJ 102 V (1K) | B | 86.3/107.7 |
| C1 | 4030007050 | S.CER C1608 CH 1H 220J-T | T | 8.0/23.1 |
| C2 | 4030007050 | S.CER C1608 CH 1H 220J-T | T | 12.6/29.3 |
| C3 | 4030007050 | S.CER C1608 CH 1H 220J-T | T | 6.8/23.1 |
| C4 | 4030007050 | S.CER C1608 CH 1H 220J-T | T | 12.6/32.1 |
| C5 | 4030006860 | S.CER C1608 JB 1H 102K-T | T | 5.5/23.1 |
| C6 | 4030006860 | S.CER C1608 JB 1H 102K-T | B | 4.6/29.8 |
| C7 | 4030006860 | S.CER C1608 JB 1H 102K-T | B | 4.2/33.1 |
| C8 | 4030006860 | S.CER C1608 JB 1H 102K-T | B | 5.5/37.2 |
| C9 | 4030006860 | S.CER C1608 JB 1H 102K-T | B | 3.0/40.0 |
| C10 | 4030006860 | S.CER C1608 JB 1H 102K-T | B | 9.4/36.7 |
| C11 | 4030006860 | S.CER C1608 JB 1H 102K-T | B | 11.2/46.0 |
| C12 | 4030006860 | S.CER C1608 JB 1H 102K-T | B | 17.1/42.1 |
| C13 | 4030006860 | S.CER C1608 JB 1H 102K-T | B | 5.1/41.7 |
| C14 | 4030007050 | S.CER C1608 CH 1H 220J-T | B | 16.4/43.4 |
| C15 | 4030007050 | S.CER C1608 CH 1H 220J-T | B | 5.1/43.3 |
| C16 | 4030007050 | S.CER C1608 CH 1H 220J-T | B | 17.1/44.7 |
| C17 | 4030006860 | S.CER C1608 JB 1H 102K-T | B | 5.1/44.9 |
| C18 | 4030006860 | S.CER C1608 JB 1H 102K-T | B | 16.4/46.0 |
| C19 | 4030006860 | S.CER C1608 JB 1H 102K-T | B | 5.1/46.5 |
| C20 | 4030006860 | S.CER C1608 JB 1H 102K-T | B | 17.1/47.3 |
| C21 | 4030006860 | S.CER C1608 JB 1H 102K-T | B | 5.1/48.1 |
| C22 | 4030006860 | S.CER C1608 JB 1H 102K-T | B | 16.4/48.6 |
| C23 | 4030006860 | S.CER C1608 JB 1H 102K-T | B | 5.1/50.6 |
| C24 | 4030006860 | S.CER C1608 JB 1H 102K-T | B | 17.1/49.9 |
| C81 | 4030006860 | S.CER C1608 JB 1H 102K-T | T | 13.7/76.0 |
| C82 | 4030006860 | S.CER C1608 JB 1H 102K-T | T | 13.7/74.8 |
| C83 | 4030006860 | S.CER C1608 JB 1H 102K-T | T | 13.7/73.6 |
| C84 | 4030006860 | S.CER C1608 JB 1H 102K-T | T | 13.7/72.4 |
| C85 | 4030006860 | S.CER C1608 JB 1H 102K-T | T | 13.7/71.2 |
| C86</ | | | | |

[PLL UNIT]

| REF NO. | PARTS NO. | DESCRIPTION | M. | H/V LOCATION |
|---------|------------|--------------------------|----|--------------|
| C202 | 4030006900 | S.CER C1608 JB 1H 103K-T | B | 103.4/61.1 |
| C203 | 4030006860 | S.CER C1608 JB 1H 102K-T | T | 99.9/59.6 |
| C204 | 4030006860 | S.CER C1608 JB 1H 102K-T | T | 99.9/58.4 |
| C205 | 4030011600 | S.CER C1608 JB 1E 104K-T | T | 104.5/56.3 |
| C206 | 4030011600 | S.CER C1608 JB 1E 104K-T | T | 109.9/59.3 |
| C207 | 4030006860 | S.CER C1608 JB 1H 102K-T | T | 105.9/63.3 |
| C208 | 4030011810 | S.CER C1608 JB 1A 224K-T | T | 105.1/65.3 |
| C221 | 4340000300 | S.MYL ECHU 1C 223JX5 | T | 98.6/63.8 |
| C222 | 4550000270 | S.TAN TEESVA 1E 474M8R | T | 98.3/61.7 |
| C223 | 4340000300 | S.MYL ECHU 1C 223JX5 | T | 90.8/61.5 |
| C251 | 4030007010 | S.CER C1608 CH 1H 100D-T | T | 88.6/56.2 |
| C253 | 4030006980 | S.CER C1608 CH 1H 070D-T | T | 82.1/55.7 |
| C254 | 4030009920 | S.CER C1608 CH 1H 050B-T | T | 82.1/58.3 |
| C255 | 4030009920 | S.CER C1608 CH 1H 050B-T | T | 82.3/61.0 |
| C256 | 4030007130 | S.CER C1608 CH 1H 101J-T | T | 79.9/61.0 |
| C257 | 4030006860 | S.CER C1608 JB 1H 102K-T | T | 78.7/60.9 |
| C258 | 4030011600 | S.CER C1608 JB 1E 104K-T | T | 77.5/61.0 |
| C259 | 4550006250 | S.TAN TEESVA 1A 106M8R | T | 76.8/57.1 |
| C260 | 4510008540 | S.ELE EEE1CA100SR | T | 71.1/60.50 |
| C261 | 4030006860 | S.CER C1608 JB 1H 102K-T | B | 78.0/60.4 |
| C262 | 4550007080 | S.TAN TEESVA 1C 106M8R | B | 69.5/58.3 |
| C271 | 4030009520 | S.CER C1608 CH 1H 020B-T | B | 83.2/59.6 |
| C272 | 4030006860 | S.CER C1608 JB 1H 102K-T | B | 77.6/56.0 |
| C273 | 4030011600 | S.CER C1608 JB 1E 104K-T | B | 79.2/56.0 |
| C274 | 4030019560 | S.CER GRM21BB31C106KE15L | B | 79.5/53.7 |
| C291 | 4030009520 | S.CER C1608 CH 1H 020B-T | B | 85.4/60.2 |
| C292 | 4030006860 | S.CER C1608 JB 1H 102K-T | T | 92.3/53.8 |
| C293 | 4030011600 | S.CER C1608 JB 1E 104K-T | T | 92.3/55.0 |
| C294 | 4030006860 | S.CER C1608 JB 1H 102K-T | B | 94.8/53.6 |
| C295 | 4550007080 | S.TAN TEESVA 1C 106M8R | B | 88.9/57.7 |
| C301 | 4030006860 | S.CER C1608 JB 1H 102K-T | B | 53.8/39.8 |
| C302 | 4030006860 | S.CER C1608 JB 1H 102K-T | T | 54.7/34.9 |
| C303 | 4030011600 | S.CER C1608 JB 1E 104K-T | T | 54.7/36.1 |
| C304 | 4030006860 | S.CER C1608 JB 1H 102K-T | T | 50.0/38.3 |
| C305 | 4030011770 | S.CER C1608 CH 1H 060B-T | T | 48.8/38.3 |
| C306 | 4030006980 | S.CER C1608 CH 1H 070D-T | T | 48.8/35.7 |
| C307 | 4030007020 | S.CER C1608 CH 1H 120J-T | T | 47.6/38.3 |
| C308 | 4030009550 | S.CER C1608 CH 1H 2R5B-T | T | 46.9/36.3 |
| C309 | 4030006980 | S.CER C1608 CH 1H 070D-T | T | 46.1/38.3 |
| C310 | 4030006980 | S.CER C1608 CH 1H 070D-T | T | 44.9/35.6 |
| C311 | 4030007060 | S.CER C1608 CH 1H 270J-T | T | 43.7/35.6 |
| C312 | 4030007000 | S.CER C1608 CH 1H 090D-T | T | 44.9/32.9 |
| C351 | 4030019560 | S.CER GRM21BB31C106KE15L | B | 50.5/29.9 |
| C352 | 4030011600 | S.CER C1608 JB 1E 104K-T | T | 52.1/32.7 |
| C353 | 4030011600 | S.CER C1608 JB 1E 104K-T | T | 50.0/33.4 |
| C354 | 4030011600 | S.CER C1608 JB 1E 104K-T | T | 44.2/29.2 |
| C355 | 4030011600 | S.CER C1608 JB 1E 104K-T | T | 44.2/27.8 |
| C356 | 4030011600 | S.CER C1608 JB 1E 104K-T | T | 44.2/26.4 |
| C357 | 4030011600 | S.CER C1608 JB 1E 104K-T | T | 44.2/25.2 |
| C358 | 4030011600 | S.CER C1608 JB 1E 104K-T | T | 47.7/19.6 |
| C359 | 4030011600 | S.CER C1608 JB 1E 104K-T | T | 49.1/19.6 |
| C360 | 4030011600 | S.CER C1608 JB 1E 104K-T | T | 50.5/19.6 |
| C364 | 4030011600 | S.CER C1608 JB 1E 104K-T | T | 168.5/28.8 |
| C365 | 4030011600 | S.CER C1608 JB 1E 104K-T | T | 170.9/31.9 |
| C366 | 4030006860 | S.CER C1608 JB 1H 102K-T | T | 168.5/30.5 |
| C367 | 4030011600 | S.CER C1608 JB 1E 104K-T | T | 82.5/7.7 |
| C368 | 4550006010 | S.TAN TEESVA OG 106M8R | B | 110.3/79.5 |
| C369 | 4030011600 | S.CER C1608 JB 1E 104K-T | B | 107.2/81.1 |
| C370 | 4030011600 | S.CER C1608 JB 1E 104K-T | T | 58.65/36 |
| C371 | 4030011600 | S.CER C1608 JB 1E 104K-T | B | 172.7/22.6 |
| C372 | 4030011600 | S.CER C1608 JB 1E 104K-T | B | 172.7/25.9 |
| C373 | 4550006250 | S.TAN TEESVA 1A 106M8R | T | 146.4/28.0 |
| C381 | 4030007090 | S.CER C1608 CH 1H 470J-T | T | 51.75/11.55 |
| C382 | 4030007100 | S.CER C1608 CH 1H 560J-T | T | 54.9/10.8 |
| C384 | 4030007090 | S.CER C1608 CH 1H 470J-T | T | 56.9/11.6 |
| C404 | 4030007070 | S.CER C1608 CH 1H 330J-T | B | 48.9/48.5 |
| C405 | 4030008560 | S.CER C1608 CH 1H 300J-T | B | 41.3/46.4 |
| C407 | 4030007070 | S.CER C1608 CH 1H 330J-T | T | 38.4/46.8 |
| C408 | 4030007010 | S.CER C1608 CH 1H 100D-T | T | 54.4/49.5 |
| C411 | 4030006860 | S.CER C1608 JB 1H 102K-T | T | 32.5/34.7 |
| C421 | 4030007090 | S.CER C1608 CH 1H 470J-T | T | 34.7/31.6 |
| C422 | 4030007050 | S.CER C1608 CH 1H 220J-T | T | 32.8/31.1 |
| C423 | 4030007110 | S.CER C1608 CH 1H 680J-T | T | 34.7/30.4 |
| C424 | 4030011770 | S.CER C1608 CH 1H 060B-T | T | 32.0/28.0 |
| C425 | 4030007100 | S.CER C1608 CH 1H 560J-T | T | 34.7/29.2 |
| C426 | 4030007110 | S.CER C1608 CH 1H 680J-T | T | 32.8/26.0 |
| C427 | 4030011280 | S.CER C1608 CH 1H 271J-T | T | 34.0/27.2 |
| C428 | 4030007110 | S.CER C1608 CH 1H 680J-T | T | 34.7/25.3 |
| C429 | 4030006860 | S.CER C1608 JB 1H 102K-T | B | 34.4/31.1 |
| C430 | 4030006860 | S.CER C1608 JB 1H 102K-T | B | 34.4/26.5 |
| C451 | 4030007050 | S.CER C1608 CH 1H 220J-T | T | 26.8/33.5 |
| C452 | 4030007050 | S.CER C1608 CH 1H 220J-T | T | 26.8/31.1 |
| C453 | 4030007100 | S.CER C1608 CH 1H 560J-T | T | 28.8/31.9 |
| C454 | 4030006980 | S.CER C1608 CH 1H 070D-T | T | 26.4/29.2 |
| C455 | 4030007070 | S.CER C1608 CH 1H 330J-T | T | 28.8/29.2 |
| C456 | 4030007070 | S.CER C1608 CH 1H 330J-T | T | 26.4/26.5 |
| C457 | 4030007090 | S.CER C1608 CH 1H 470J-T | T | 28.3/25.7 |
| C458 | 4030007070 | S.CER C1608 CH 1H 330J-T | T | 27.1/24.2 |
| C459 | 4030006860 | S.CER C1608 JB 1H 102K-T | B | 28.0/31.2 |
| C460 | 4030006860 | S.CER C1608 JB 1H 102K-T | B | 28.9/26.6 |
| C500 | 4030006860 | S.CER C1608 JB 1H 102K-T | B | 22.7/33.7 |
| C501 | 4030006860 | S.CER C1608 JB 1H 102K-T | T | 31.4/21.4 |
| C502 | 4030006860 | S.CER C1608 JB 1H 102K-T | T | 29.1/22.2 |
| C503 | 4030006860 | S.CER C1608 JB 1H 102K-T | T | 23.2/19.5 |
| C504 | 4030007050 | S.CER C1608 CH 1H 220J-T | T | 22.0/18.7 |
| C505 | 4030007050 | S.CER C1608 CH 1H 220J-T | T | 22.0/21.4 |
| C506 | 4030007070 | S.CER C1608 CH 1H 330J-T | T | 20.8/18.7 |
| C507 | 4030007030 | S.CER C1608 CH 1H 150J-T | T | 21.3/23.7 |
| C508 | 4030006980 | S.CER C1608 CH 1H 070D-T | T | 20.1/22.0 |
| C509 | 4030007050 | S.CER C1608 CH 1H 220J-T | T | 19.3/18.7 |
| C510 | 4030007110 | S.CER C1608 CH 1H 680J-T | T | 17.4/22.0 |
| C511 | 4030011280 | S.CER C1608 CH 1H 271J-T | T | 17.4/20.7 |
| C512 | 4030007110 | S.CER C1608 CH 1H 680J-T | T | 16.6/18.7 |
| C551 | 4030006900 | S.CER C1608 JB 1H 103K-T | T | 97.1/70.3 |
| C552 | 4030006860 | S.CER C1608 JB 1H 102K-T | T | 93.3/71.8 |

[PLL UNIT]

| REF NO. | PARTS NO. | DESCRIPTION | M. | H/V LOCATION |
|---------|------------|--------------------------|----|--------------|
| C553 | 4030006860 | S.CER C1608 JB 1H 102K-T | T | 91.0/72.6 |
| C554 | 4030007030 | S.CER C1608 CH 1H 150J-T | T | 82.6/77.5 |
| C555 | 4030009500 | S.CER C1608 CH 1H 0R5B-T | B | 82.6/80.1 |
| C556 | 4030007030 | S.CER C1608 CH 1H 150J-T | B | 82.6/85.2 |
| C557 | 4030006860 | S.CER C1608 JB 1H 102K-T | T | 76.5/70.2 |
| C571 | 4030006860 | S.CER C1608 JB 1H 102K-T | B | 87.2/89.5 |
| C572 | 4030006860 | S.CER C1608 JB 1H 102K-T | T | 80.5/80.8 |
| C573 | 4030006860 | S.CER C1608 JB 1H 102K-T | T | 85.3/93.4 |
| C574 | 4030006860 | S.CER C1608 JB 1H 102K-T | B | 84.3/97.9 |
| C661 | 4030006860 | S.CER C1608 JB 1H 102K-T | T | 63.1/106.8 |
| C662 | 4030011600 | S.CER C1608 JB 1E 104K-T | T | 65.8/107.6 |
| C663 | 4030011600 | S.CER C1608 JB 1E 104K-T | T | 76.5/107.1 |
| C671 | 4030007070 | S.CER C1608 CH 1H 330J-T | T | 76.7/112.6 |
| C674 | 4030007150 | S.CER C1608 CH 1H 151J-T | T | 72.8/112.9 |
| C675 | 4030010760 | S.CER C1608 CH 1H 331J-T | T | 69.8/112.9 |
| C676 | 4030007160 | S.CER C1608 CH 1H 181J-T | T | 65.7/112.9 |
| C677 | 4030007090 | S.CER C1608 CH 1H 470J-T | T | 71.4/112.9 |
| C678 | 4030007040 | S.CER C1608 CH 1H 180J-T | T | 67.8/113.4 |
| C679 | 4030007080 | S.CER C1608 CH 1H 390J-T | T | 64.4/112.9 |
| C680 | 4030007080 | S.CER C1608 CH 1H 390J-T | T | 63.0/112.9 |
| C701 | 4030006860 | S.CER C1608 JB 1H 102K-T | B | 73.1/95.5 |
| C702 | 4030011600 | S.CER C1608 JB 1E 104K-T | T | 70.4/95.2 |
| C703 | 4030011600 | S.CER C1608 JB 1E 104K-T | T | 67.4/96.7 |
| C704 | 4030011600 | S.CER C1608 JB 1E 104K-T | T | 60.9/96.9 |
| C705 | 4030011600 | S.CER C1608 JB 1E 104K-T | T | 54.8/91.3 |
| C706 | 4030011600 | S.CER C1608 JB 1E 104K-T | T | 58.1/83.1 |
| C707 | 4030011600 | S.CER C1608 JB 1E 104K-T | T | 71.9/88.4 |
| C708 | 4030019560 | S.CER GRM21BB31C106KE15L | B | 61.6/91.9 |
| C709 | 4030011600 | S.CER C1608 JB 1H 103K-T | T | 73.6/88.0 |
| C710 | 4030011600 | S.CER C1608 JB 1E 104K-T | T | 73.7/83.6 |
| C712 | 4030006860 | S.CER C1608 JB 1H 102K-T | B | 71.0/95.4 |
| C713 | 4030007050 | S.CER C1608 CH 1H 220J-T | T | 54.8/82.9 |
| C715 | 4030007050 | S.CER C1608 CH 1H 220J-T | T | 48.6/83.8 |
| C716 | 4030006860 | S.CER C1608 JB 1H 102K-T | T | 48.6/87.4 |
| C717 | 4030011600 | S.CER C1608 JB 1E 104K-T | T | 48.1/95.6 |
| C718 | 4030011600 | S.CER C1608 JB 1E 104K-T | B | 50.8/92.0 |
| C719 | 4030011600 | S.CER C1608 JB 1E 104K-T | B | 61.5/83.6 |
| C800 | 4030019120 | S.CER GRM188B31E105KA75D | T | 43.3/106.8 |
| C801 | 4030011600 | S.CER C1608 JB 1E 104K-T | B | 44.2/105.7 |
| C802 | 4030011600 | S.CER C1608 JB 1E 104K-T | B | 44.2/107.5 |
| C803 | 4030006900 | S.CER C1608 JB 1H 103K-T | T | 35.8/107.1 |
| C805 | 4030008870 | S.CER C1608 JB 1H 183K-T | T | 31.5/108.0 |
| C807 | 4030006900 | S.CER C1608 JB 1H 103K-T | T | 28.7/110.3 |
| C808 | 4030006900 | S.CER C1608 JB 1H 103K-T | T | 27.4/110.3 |
| C810 | 4030006900 | S.CER C1608 JB 1H 103K-T | T | 25.1/111.0 |
| C850 | 4030019120 | S.CER GRM188B31E105KA75D | T | 54.6/108.3 |
| C851 | 4030006900 | S.CER C1608 JB 1H 103K-T | T | 51.2/105.5 |
| C853 | 4030008870 | S.CER C1608 JB 1H 183K-T | T | 47.2/106.8 |
| C855 | 4030006900 | S.CER C1608 JB 1H 103K-T | T | 44.2/109.6 |
| C856 | 4030006900 | S.CER C1608 JB 1H 103K-T | T | 50.5/110.6 |
| C858 | 4030006900 | S.CER C1608 JB 1H 103K-T | T | 50.2/114.2 |
| C859 | 4030011600 | S.CER C1608 JB 1E 104K-T | B | 46.4/114.6 |
| C901 | 4030006860 | S.CER C1608 JB 1H 102K-T | B | 37.9/117.1 |
| C902 | 4030006860 | S.CER C1608 JB 1H 102K-T | B | 35.9/114.6 |
| C903 | 4030007050 | S.CER C1608 CH 1H 220J-T | B | 31.6/109.3 |
| C904 | 4030006860 | S.CER C1608 JB 1H 102K-T | B | 35.1/113.0 |
| C981 | 4030007030 | S.CER C1608 CH 1H 150J-T | T | 14.6/112.2 |
| C982 | 4030007010 | S.CER C1608 CH 1H 100D-T | T | 11.4/109.3 |
| C983 | 4030007030 | S.CER C1608 CH 1H 150J-T | T | 15.1/102.4 |
| C1001 | 4030006860 | S.CER C1608 JB 1H 102K-T | T | 71.8/30.1 |
| C1002 | 4030006860 | S.CER C1608 JB 1H 102K-T | T | 77.2/31.6 |
| C1003 | 4030011600 | S.CER C1608 JB 1E 104K-T | T | 77.2/32.8 |
| C1004 | 4030006860 | S.CER C1608 JB 1H 102K-T | T | 79.9/31.3 |
| C1005 | 4030006970 | S.CER C1608 CH 1H 060D-T | T | 79.9/32.5 |
| C1006 | 4030006860 | S.CER C1608 CH 1H 070D-T | T | 81.1/30.1 |
| C1007 | 4030007020 | S.CER C1608 CH 1H 120J-T | T | 81.9/32.0 |
| C1008 | 4030009550 | S.CER C1608 CH 1H 2R5B-T | T | 84.3/29.3 |
| C1009 | 4030006980 | S.CER C1608 CH 1H 070D-T | T | 83.1/32.0 |
| C1010 | 4030006980 | S.CER C1608 CH 1H 070D-T | T | 85.8/29.3 |
| C1011 | 4030007060 | S.CER C1608 CH 1H 270J-T | T | 87.0/29.3 |
| C1012 | | | | |

[PLL UNIT]

| REF NO. | PARTS NO. | DESCRIPTION | M. | H/V LOCATION |
|---------|------------|--|----|--------------|
| C1109 | 4030009530 | S.CER C1608 CH 1H 030B-T | T | 54.0/7.2 |
| C1110 | 4030007070 | S.CER C1608 CH 1H 330J-T | T | 53.3/4.1 |
| C1111 | 4030009920 | S.CER C1608 CH 1H 050B-T | T | 50.9/6.8 |
| C1112 | 4030007060 | S.CER C1608 CH 1H 270J-T | T | 52.1/4.1 |
| C1113 | 4030007020 | S.CER C1608 CH 1H 120J-T | T | 50.9/4.1 |
| C1171 | 4030006860 | S.CER C1608 JB 1H 102K-T | T | 47.3/5.3 |
| C1172 | 4030006860 | S.CER C1608 JB 1H 102K-T | T | 46.1/4.2 |
| C1173 | 4030006860 | S.CER C1608 JB 1H 102K-T | T | 42.3/5.9 |
| C1174 | 4030007060 | S.CER C1608 CH 1H 270J-T | T | 37.5/10.9 |
| C1175 | 4030007090 | S.CER C1608 CH 1H 470J-T | T | 37.5/8.3 |
| C1176 | 4030007060 | S.CER C1608 CH 1H 270J-T | T | 37.5/5.9 |
| C1177 | 4030007080 | S.CER C1608 CH 1H 390J-T | T | 37.5/4.7 |
| C1178 | 4030007080 | S.CER C1608 CH 1H 390J-T | T | 35.5/4.2 |
| C1179 | 4030006900 | S.CER C1608 JB 1H 103K-T | B | 26.2/10.9 |
| C1180 | 4030006900 | S.CER C1608 JB 1H 103K-T | T | 29.4/10.0 |
| C1181 | 4030009920 | S.CER C1608 CH 1H 050B-T | T | 33.3/10.0 |
| C1182 | 4030009510 | S.CER C1608 CH 1H 010B-T | T | 26.3/7.10 |
| C1183 | 4030009920 | S.CER C1608 CH 1H 050B-T | T | 19.0/9.5 |
| C1184 | 4030009650 | S.CER C1608 CH 1H 240J-T | T | 27.0/4.7 |
| C1185 | 4610001920 | S.TRI TZC03Z060A110R00 (TZC03Z060A110) | T | 29.5/5.7 |
| C1186 | 4030009650 | S.CER C1608 CH 1H 240J-T | T | 25.5/4.7 |
| C1187 | 4610001920 | S.TRI TZC03Z060A110R00 (TZC03Z060A110) | T | 23.0/5.7 |
| C1188 | 4030006900 | S.CER C1608 JB 1H 103K-T | T | 21.7/9.5 |
| C1189 | 4030006900 | S.CER C1608 JB 1H 103K-T | T | 24.8/10.7 |
| C1190 | 4030006900 | S.CER C1608 JB 1H 103K-T | B | 17.2/7.4 |
| C1191 | 4030009560 | S.CER C1608 CH 1H R75B-T | T | 26.3/6.6 |
| C1201 | 4030006860 | S.CER C1608 JB 1H 102K-T | T | 102.1/46.9 |
| C1202 | 4030006880 | S.CER C1608 JB 1H 472K-T | T | 104.1/46.3 |
| C1203 | 4030007150 | S.CER C1608 CH 1H 151J-T | T | 85.9/5.8 |
| C1204 | 4030009650 | S.CER C1608 CH 1H 240J-T | T | 87.1/5.8 |
| C1205 | 4030008560 | S.CER C1608 CH 1H 300J-T | T | 87.1/8.5 |
| C1206 | 4030007130 | S.CER C1608 CH 1H 101J-T | T | 88.3/8.5 |
| C1207 | 4030007100 | S.CER C1608 CH 1H 560J-T | T | 89.5/8.5 |
| C1208 | 4030007040 | S.CER C1608 CH 1H 180J-T | T | 89.5/7.8 |
| C1209 | 4030009920 | S.CER C1608 CH 1H 050B-T | T | 92.7/8.0 |
| C1210 | 4030007090 | S.CER C1608 CH 1H 470J-T | T | 94.6/5.8 |
| C1212 | 4030007080 | S.CER C1608 CH 1H 390J-T | T | 95.8/5.8 |
| C1213 | 4030006860 | S.CER C1608 JB 1H 102K-T | T | 99.6/5.3 |
| C1214 | 4030011600 | S.CER C1608 JB 1E 104K-T | T | 102.3/5.3 |
| C1215 | 4030006860 | S.CER C1608 JB 1H 102K-T | T | 102.6/9.1 |
| C1216 | 4030007040 | S.CER C1608 CH 1H 180J-T | T | 90.7/7.6 |
| C1217 | 4030006860 | S.CER C1608 JB 1H 102K-T | B | 95.5/7.4 |
| C1218 | 4030006860 | S.CER C1608 JB 1H 102K-T | T | 97.1/4.6 |
| C1219 | 4030007090 | S.CER C1608 CH 1H 470J-T | T | 92.7/9.2 |
| C1220 | 4030019120 | S.CER GRM188B31E105KA75D | B | 97.1/4.6 |
| C1233 | 4030007030 | S.CER C1608 CH 1H 150J-T | T | 105.9/17.3 |
| C1234 | 4030007090 | S.CER C1608 CH 1H 470J-T | T | 108.0/18.1 |
| C1235 | 4030007040 | S.CER C1608 CH 1H 180J-T | T | 106.7/19.4 |
| C1236 | 4030007040 | S.CER C1608 CH 1H 180J-T | T | 109.5/20.7 |
| C1237 | 4030006990 | S.CER C1608 CH 1H 080D-T | T | 106.7/20.7 |
| C1238 | 4030007070 | S.CER C1608 CH 1H 330J-T | T | 109.5/23.5 |
| C1239 | 4030009910 | S.CER C1608 CH 1H 040B-T | T | 107.4/24.2 |
| C1240 | 4030007040 | S.CER C1608 CH 1H 180J-T | T | 109.5/25.0 |
| C1263 | 4030006860 | S.CER C1608 JB 1H 102K-T | T | 106.7/27.6 |
| C1264 | 4030006860 | S.CER C1608 JB 1H 102K-T | T | 106.7/28.9 |
| C1265 | 4030006860 | S.CER C1608 JB 1H 102K-T | T | 109.5/32.6 |
| C1267 | 4030019120 | S.CER GRM188B31E105KA75D | B | 108.9/30.9 |
| C1273 | 4030006980 | S.CER C1608 CH 1H 070D-T | T | 109.7/35.7 |
| C1274 | 4030007060 | S.CER C1608 CH 1H 270J-T | T | 107.7/36.4 |
| C1275 | 4030007000 | S.CER C1608 CH 1H 090D-T | T | 106.5/36.4 |
| C1276 | 4030006990 | S.CER C1608 CH 1H 080D-T | T | 109.7/38.4 |
| C1277 | 4030009920 | S.CER C1608 CH 1H 050B-T | T | 107.7/39.1 |
| C1278 | 4030007020 | S.CER C1608 CH 1H 120J-T | T | 109.7/39.9 |
| C1279 | 4030009540 | S.CER C1608 CH 1H 1R5B-T | T | 107.0/42.3 |
| C1280 | 4030007000 | S.CER C1608 CH 1H 090D-T | T | 109.7/41.1 |
| C1284 | 4030007020 | S.CER C1608 CH 1H 120J-T | T | 110.9/42.3 |
| C1285 | 4030007040 | S.CER C1608 CH 1H 180J-T | T | 110.9/43.5 |
| C1286 | 4030007020 | S.CER C1608 CH 1H 120J-T | T | 110.9/45.9 |
| C1303 | 4030007130 | S.CER C1608 CH 1H 101J-T | T | 74.2/41.1 |
| C1304 | 4030007150 | S.CER C1608 CH 1H 151J-T | T | 75.0/39.1 |
| C1305 | 4030007100 | S.CER C1608 CH 1H 560J-T | T | 75.7/41.1 |
| C1306 | 4030011340 | S.CER C1608 CH 1H 471J-T | T | 76.9/41.1 |
| C1307 | 4030007120 | S.CER C1608 CH 1H 820J-T | T | 78.9/41.8 |
| C1308 | 4030007130 | S.CER C1608 CH 1H 101J-T | T | 78.1/37.5 |
| C1309 | 4030007110 | S.CER C1608 CH 1H 680J-T | T | 78.9/39.4 |
| C1310 | 4030007160 | S.CER C1608 CH 1H 181J-T | T | 79.6/37.5 |
| C1311 | 4030007050 | S.CER C1608 CH 1H 220J-T | T | 82.0/38.4 |
| C1312 | 4030007140 | S.CER C1608 CH 1H 121J-T | T | 82.3/38.4 |
| C1401 | 4030011600 | S.CER C1608 JB 1E 104K-T | T | 26.8/47.8 |
| C1402 | 4030011600 | S.CER C1608 JB 1E 104K-T | T | 27.7/58.3 |
| C1451 | 4030011600 | S.CER C1608 JB 1E 104K-T | T | 55.7/20.4 |
| C1452 | 4030011600 | S.CER C1608 JB 1E 104K-T | T | 71.9/16.7 |
| C1453 | 4030011600 | S.CER C1608 JB 1E 104K-T | T | 56.7/48.6 |
| C1454 | 4030011600 | S.CER C1608 JB 1E 104K-T | T | 65.4/5.6 |
| C1455 | 4030011600 | S.CER C1608 JB 1E 104K-T | T | 80.7/2.0 |
| C1456 | 4030011600 | S.CER C1608 JB 1E 104K-T | T | 71.6/38.2 |
| C1501 | 4030006860 | S.CER C1608 JB 1H 102K-T | T | 64.2/70.0 |
| C1502 | 4030011600 | S.CER C1608 JB 1E 104K-T | T | 64.0/71.9 |
| C1503 | 4030011600 | S.CER C1608 JB 1E 104K-T | T | 60.2/75.6 |
| C1504 | 4030011600 | S.CER C1608 JB 1E 104K-T | T | 50.8/77.1 |
| C1505 | 4030011600 | S.CER C1608 JB 1E 104K-T | T | 44.8/71.0 |
| C1506 | 4030011600 | S.CER C1608 JB 1E 104K-T | T | 51.4/61.9 |
| C1507 | 4030011600 | S.CER C1608 JB 1E 104K-T | T | 62.1/68.8 |
| C1508 | 4030019460 | S.CER C1608 JB 0J 106M-T | B | 52.8/72.7 |
| C1509 | 4030007050 | S.CER C1608 CH 1H 220J-T | T | 44.8/62.6 |
| C1511 | 4030007050 | S.CER C1608 CH 1H 220J-T | T | 38.6/63.1 |
| C1512 | 4030006860 | S.CER C1608 JB 1H 102K-T | T | 38.6/66.7 |
| C1513 | 4030011600 | S.CER C1608 JB 1E 104K-T | T | 38.0/74.9 |
| C1514 | 4030011600 | S.CER C1608 JB 1E 104K-T | B | 39.0/72.5 |
| C1515 | 4030019120 | S.CER GRM188B31E105KA75D | B | 47.1/110.9 |
| C1701 | 4030006900 | S.CER C1608 JB 1H 103K-T | B | 43.0/101.6 |
| C1702 | 4030006900 | S.CER C1608 JB 1H 103K-T | B | 43.0/103.7 |
| C1703 | 4030011330 | S.CER C1608 CH 1H 391J-T | T | 36.8/103.9 |

[PLL UNIT]

| REF NO. | PARTS NO. | DESCRIPTION | M. | H/V LOCATION |
|---------|------------|-------------------------------|----|--------------|
| C1705 | 4030009490 | S.CER C1608 JB 1H 821K-T | T | 32.2/103.6 |
| C1707 | 4030011330 | S.CER C1608 CH 1H 391J-T | T | 31.2/100.9 |
| C1708 | 4030007160 | S.CER C1608 CH 1H 181J-T | T | 30.5/98.6 |
| C1710 | 4030007160 | S.CER C1608 CH 1H 181J-T | T | 29.0/99.9 |
| C1801 | 4030006900 | S.CER C1608 JB 1H 103K-T | B | 44.8/91.0 |
| C1802 | 4030006900 | S.CER C1608 JB 1H 103K-T | B | 34.7/74.6 |
| C1803 | 4030009490 | S.CER C1608 JB 1H 821K-T | B | 33.0/74.6 |
| C1805 | 4030010020 | S.CER C1608 JB 1H 122K-T | B | 33.0/77.8 |
| C1807 | 4030009490 | S.CER C1608 JB 1H 821K-T | B | 33.4/80.5 |
| C1808 | 4030011280 | S.CER C1608 CH 1H 271J-T | B | 36.7/80.5 |
| C1810 | 4030011280 | S.CER C1608 CH 1H 271J-T | T | 37.2/82.3 |
| C1851 | 4030006860 | S.CER C1608 JB 1H 102K-T | T | 46.9/99.8 |
| C1852 | 4030006860 | S.CER C1608 JB 1H 102K-T | B | 34.1/96.3 |
| C1853 | 4030007050 | S.CER C1608 CH 1H 220J-T | B | 37.0/94.8 |
| C1854 | 4030006860 | S.CER C1608 JB 1H 102K-T | B | 40.9/97.3 |
| C1881 | 4030007020 | S.CER C1608 CH 1H 120J-T | T | 38.6/86.8 |
| C1882 | 4030007000 | S.CER C1608 CH 1H 090D-T | T | 35.7/90.8 |
| C1883 | 4030007020 | S.CER C1608 CH 1H 120J-T | T | 28.7/87.3 |
| C1901 | 4030006900 | S.CER C1608 JB 1H 103K-T | B | 47.0/86.8 |
| C1902 | 4030006900 | S.CER C1608 JB 1H 103K-T | T | 31.4/68.7 |
| C1903 | 4030011340 | S.CER C1608 CH 1H 471J-T | T | 29.5/67.6 |
| C1905 | 4030009490 | S.CER C1608 JB 1H 821K-T | T | 27.7/68.3 |
| C1907 | 4030011340 | S.CER C1608 CH 1H 471J-T | T | 27.7/69.6 |
| C1908 | 4030007150 | S.CER C1608 CH 1H 151J-T | T | 24.1/72.6 |
| C1910 | 4030007150 | S.CER C1608 CH 1H 151J-T | T | 24.1/75.2 |
| C2001 | 4030006860 | S.CER C1608 JB 1H 102K-T | T | 98.6/76.6 |
| C2002 | 4030011600 | S.CER C1608 JB 1E 104K-T | T | 100.7/77.1 |
| C2003 | 4030011600 | S.CER C1608 JB 1E 104K-T | T | 103.1/80.3 |
| C2004 | 4030011600 | S.CER C1608 JB 1E 104K-T | T | 104.2/82.6 |
| C2005 | 4030011600 | S.CER C1608 JB 1E 104K-T | T | 98.8/95.7 |
| C2006 | 4030011600 | S.CER C1608 JB 1E 104K-T | T | 89.7/89.7 |
| C2007 | 4030011600 | S.CER C1608 JB 1E 104K-T | T | 97.1/78.9 |
| C2008 | 4030019460 | S.CER C1608 JB 0J 106M-T | B | 96.8/83.4 |
| C2009 | 4030007050 | S.CER C1608 CH 1H 220J-T | T | 91.6/98.5 |
| C2011 | 4030007050 | S.CER C1608 CH 1H 220J-T | T | 93.4/102.0 |
| C2012 | 4030006860 | S.CER C1608 JB 1H 102K-T | T | 97.0/102.0 |
| C2013 | 4030011600 | S.CER C1608 JB 1E 104K-T | T | 104.3/102.9 |
| C2101 | 4030011340 | S.CER C1608 CH 1H 471J-T | B | 102.7/99.4 |
| C2103 | 4030009580 | S.CER C1608 JB 1H 681K-T | B | 106.7/102.7 |
| C2105 | 4030011340 | S.CER C1608 CH 1H 471J-T | B | 111.3/99.2 |
| C2106 | 4030011280 | S.CER C1608 CH 1H 271J-T | B | 106.9/105.9 |
| C2108 | 4030011280 | S.CER C1608 CH 1H 271J-T | B | 106.4/108.8 |
| C2121 | 4030006900 | S.CER C1608 JB 1H 103K-T | T | 85.8/105.7 |
| C2122 | 4030006900 | S.CER C1608 JB 1H 103K-T | T | 83.4/105.7 |
| C2151 | 4030006860 | S.CER C1608 JB 1H 102K-T | B | 83.8/110.6 |
| C2152 | 4030006860 | S.CER C1608 JB 1H 102K-T | T | 86.7/118.3 |
| C2153 | 4030007050 | S.CER C1608 CH 1H 220J-T | T | 89.2/112.9 |
| C2154 | 4030006860 | S.CER C1608 JB 1H 102K-T | B | 87.1/113.1 |
| C2171 | 4030011600 | S.CER C1608 JB 1E 104K-T | B | 104.6/116.0 |
| C2181 | 4030007020 | S.CER C1608 CH 1H 120J-T | T | 101.5/107.9 |
| C2182 | 4030007000 | S.CER C1608 CH 1H 090D-T | T | 98.6/111.9 |
| C2183 | 4030007020 | S.CER C1608 CH 1H 120J-T | T | 91.4/109.0 |
| C2184 | 4030006860 | S.CER C1608 JB 1H 102K-T | B | 88.8/104.9 |
| J1 | 6510022472 | S.CON 40FLT-SM2-TB(LF)(SN)(M) | T | 8.5/39.3 |
| J81 | 6510019991 | S.CON 52808-2271(2291) | T | 5.0/67.0 |
| J501 | 6510028210 | CON SJ050010 (TMP-J01X-V6) | | |
| J571 | 6510028210 | CON SJ050010 (TMP-J01X-V6) | | |
| J601 | 6510028210 | CON SJ050010 (TMP-J01X-V6) | | |
| J701 | 6510028210 | CON SJ050010 (TMP-J01X-V6) | | |
| J851 | 6510028210 | CON SJ050010 (TMP-J01X-V6) | | |
| J852 | 6510028210 | CON SJ050010 (TMP-J01X-V6) | | |
| J1171 | 6510028210 | CON SJ050010 (TMP-J01X-V6) | | |
| J1281 | 6510028210 | CON SJ050010 (TMP-J01X-V6) | | |
| J1301 | 6510028210 | CON SJ050010 (TMP-J01X-V6) | | |
| J1701 | 6510028210 | CON SJ050010 (TMP-J01X-V6) | | |
| J1801 | 6510028210 | CON SJ050010 (TMP-J01X-V6) | | |
| J1901 | 6510028210 | CON SJ050010 (TMP-J01X-V6) | | |
| EP6 | 6910014640 | S.BEA MPZ2012S221A-T | T | 4.4/32.4 |
| EP7 | 6910014640 | S.BEA MPZ2012S221A-T | T | 4.4/34.2 |
| EP8 | 6910014640 | S.BEA MPZ2012S221A-T | T | 4.4/36.0 |
| EP9 | 6910014640 | S.BEA MPZ2012S221A-T | T | 4.4/38.7 |
| EP10 | 6910014640 | S.BEA MPZ2012S221A-T | B | 10.4/39.4 |
| | | | | |

[RF-A UNIT]

| REF NO. | PARTS NO. | DESCRIPTION | M. | H/V LOCATION |
|---------|------------|------------------------------------|----|--------------|
| IC303 | 1130011530 | S.IC CD74HC4094M96 | B | 66.7/21.2 |
| IC305 | 1130011530 | S.IC CD74HC4094M96 | B | 77.1/21.2 |
| IC601 | 1110006420 | S.IC UPC2708TB-E3-A | T | 44.9/14.3 |
| IC1121 | 1130012900 | S.IC TC74LCX00FT (EL) | T | 96.9/13.1 |
| IC1221 | 1110005450 | S.IC TS521DT | B | 117.2/42.7 |
| IC1222 | 1110006190 | S.IC NJM074M-TE1-#ZZZB | B | 116.3/29.6 |
| Q309 | 1590003790 | S.TRA KRC404E RTK/P | T | 61.7/21.0 |
| Q310 | 1590003770 | S.TRA KRA302E-RTK/P | T | 59.3/21.0 |
| Q311 | 1590003790 | S.TRA KRC404E RTK/P | T | 61.7/18.9 |
| Q312 | 1590003770 | S.TRA KRA302E-RTK/P | T | 59.3/18.9 |
| Q317 | 1590003790 | S.TRA KRC404E RTK/P | T | 64.1/17.8 |
| Q319 | 1590003790 | S.TRA KRC404E RTK/P | T | 66.1/17.8 |
| Q321 | 1590003790 | S.TRA KRC404E RTK/P | T | 82.1/17.8 |
| Q323 | 1590003790 | S.TRA KRC404E RTK/P | T | 70.1/17.8 |
| Q325 | 1590003790 | S.TRA KRC404E RTK/P | T | 76.1/17.8 |
| Q327 | 1590003790 | S.TRA KRC404E RTK/P | T | 78.1/18.0 |
| Q329 | 1590003790 | S.TRA KRC404E RTK/P | T | 80.1/17.8 |
| Q331 | 1590003790 | S.TRA KRC404E RTK/P | T | 68.1/17.8 |
| Q333 | 1590003790 | S.TRA KRC404E RTK/P | T | 72.1/17.8 |
| Q335 | 1590003790 | S.TRA KRC404E RTK/P | T | 74.1/18.0 |
| Q337 | 1590003790 | S.TRA KRC404E RTK/P | T | 84.1/17.8 |
| Q481 | 1540000550 | S.TRA 2SD1664 T100Q | T | 55.4/11.1 |
| Q482 | 1530003900 | S.TRA KTC4075 BL-RTK/P | T | 50.8/13.5 |
| Q491 | 1540000550 | S.TRA 2SD1664 T100Q | T | 54.9/17.6 |
| Q492 | 1530003900 | S.TRA KTC4075 BL-RTK/P | T | 50.4/20.1 |
| Q601 | 1590003770 | S.TRA KRA302E-RTK/P | T | 39.8/11.0 |
| Q602 | 1590003790 | S.TRA KRC404E RTK/P | T | 39.8/8.8 |
| Q611 | 1580000820 | S.FET 3SK264-5-TG-E | T | 41.1/53.0 |
| Q701 | 1590003790 | S.TRA KRC404E RTK/P | T | 51.0/7.9 |
| Q702 | 1590003770 | S.TRA KRA302E-RTK/P | T | 48.6/7.9 |
| Q721 | 1560000641 | S.FET 2SK1740-4/5-TB-E | B | 32.0/38.6 |
| Q722 | 1560000641 | S.FET 2SK1740-4/5-TB-E | T | 27.9/38.6 |
| Q723 | 1560000641 | S.FET 2SK1740-4/5-TB-E | T | 32.0/38.6 |
| Q724 | 1560000641 | S.FET 2SK1740-4/5-TB-E | B | 28.3/38.6 |
| Q725 | 1590003770 | S.TRA KRA302E-RTK/P | T | 37.6/51.0 |
| Q726 | 1590003790 | S.TRA KRC404E RTK/P | T | 35.2/54.4 |
| Q741 | 1530003340 | S.TRA 2SC3357-T1 RF | T | 35.7/60.5 |
| Q811 | 1530003340 | S.TRA 2SC3357-T1 RF | T | 7.9/35.2 |
| Q861 | 1590003770 | S.TRA KRA302E-RTK/P | T | 21.7/27.0 |
| Q862 | 1590003770 | S.TRA KRA302E-RTK/P | T | 21.7/24.2 |
| Q863 | 1590003790 | S.TRA KRC404E RTK/P | T | 24.0/24.2 |
| Q864 | 1560001360 | S.FET 2SK3019 TL | T | 24.0/27.0 |
| Q865 | 1590003770 | S.TRA KRA302E-RTK/P | T | 21.7/21.3 |
| Q866 | 1590003790 | S.TRA KRC404E RTK/P | T | 24.0/21.3 |
| Q1051 | 1530003842 | S.TRA 2SC5501A-4-TR-E | T | 96.0/53.6 |
| Q1071 | 1530003021 | S.TRA 2SC4402-3-TL-E | B | 98.7/57.8 |
| Q1072 | 1530003021 | S.TRA 2SC4402-3-TL-E | B | 103.2/59.4 |
| Q1141 | 1530003950 | S.TRA KTC4080 Y-RTK/P | T | 90.2/14.4 |
| Q1201 | 1530004011 | S.TRA KTC3770U-C-RTK/P | T | 107.7/29.2 |
| Q1251 | 1530004011 | S.TRA KTC3770U-C-RTK/P | T | 107.7/37.3 |
| D481 | 1750001180 | S.DIO KDS122 RTK/P | T | 51.5/10.4 |
| D491 | 1750001180 | S.DIO KDS122 RTK/P | T | 50.8/16.9 |
| D601 | 1750000581 | S.DIO 1SV307(TPH3F) | B | 46.0/62.0 |
| D602 | 1750000581 | S.DIO 1SV307(TPH3F) | B | 38.3/9.5 |
| D651 | 1750000431 | S.DIO HSB88WSTR-E | T | 40.5/29.1 |
| D701 | 1750000581 | S.DIO 1SV307(TPH3F) | B | 39.4/6.8 |
| D702 | 1750000581 | S.DIO 1SV307(TPH3F) | B | 45.2/6.0 |
| D781 | 1750000581 | S.DIO 1SV307(TPH3F) | B | 46.0/63.7 |
| D851 | 1750000581 | S.DIO 1SV307(TPH3F) | B | 15.2/37.2 |
| D852 | 1750000581 | S.DIO 1SV307(TPH3F) | B | 14.2/39.9 |
| D861 | 1750000581 | S.DIO 1SV307(TPH3F) | T | 13.3/31.0 |
| D862 | 1750000581 | S.DIO 1SV307(TPH3F) | T | 10.1/31.0 |
| D863 | 1750000581 | S.DIO 1SV307(TPH3F) | T | 12.5/22.0 |
| D864 | 1750000581 | S.DIO 1SV307(TPH3F) | T | 10.5/22.0 |
| D865 | 1750001320 | S.DIO KDS4148U RTK/P | B | 69.5/7.2 |
| D866 | 1750001320 | S.DIO KDS4148U RTK/P | B | 71.1/9.2 |
| D867 | 1750000581 | S.DIO 1SV307(TPH3F) | T | 8.3/30.9 |
| D868 | 1750000581 | S.DIO 1SV307(TPH3F) | T | 8.7/22.0 |
| D869 | 1750001320 | S.DIO KDS4148U RTK/P | B | 22.6/24.3 |
| D870 | 1750001320 | S.DIO KDS4148U RTK/P | B | 22.6/21.2 |
| D911 | 1750000581 | S.DIO 1SV307(TPH3F) | B | 51.2/58.8 |
| D912 | 1750000581 | S.DIO 1SV307(TPH3F) | B | 81.4/58.0 |
| D931 | 1750000581 | S.DIO 1SV307(TPH3F) | B | 51.2/54.7 |
| D932 | 1750000581 | S.DIO 1SV307(TPH3F) | B | 81.4/54.9 |
| D951 | 1750000581 | S.DIO 1SV307(TPH3F) | B | 48.2/51.8 |
| D952 | 1750000581 | S.DIO 1SV307(TPH3F) | B | 84.6/51.8 |
| D1011 | 1750000581 | S.DIO 1SV307(TPH3F) | B | 85.7/64.4 |
| D1031 | 1750000581 | S.DIO 1SV307(TPH3F) | B | 85.5/59.3 |
| D1101 | 1750000431 | S.DIO HSB88WSTR-E | T | 93.3/34.6 |
| D1102 | 1750000431 | S.DIO HSB88WSTR-E | T | 100.9/31.4 |
| FI911 | 2030000800 | S.MON MFT64.4R 64.455 MHz (FL-434) | T | 66.5/62.9 |
| L501 | 6200005491 | S.COI NLV32T-331J | B | 36.0/15.6 |
| L601 | 6200005011 | S.COI NLV25T-100J | B | 45.7/56.1 |
| L602 | 6200005491 | S.COI NLV32T-331J | B | 45.1/13.3 |
| L603 | 6200005041 | S.COI NLV25T-220J | T | 42.3/13.9 |
| L611 | 6200002611 | S.COI NLV25T-R47J | B | 42.6/55.6 |
| L612 | 6150004280 | COI LS-484B (C-14927) | | |
| L613 | 6200005011 | S.COI NLV25T-100J | B | 44.6/51.2 |
| L631 | 6200004600 | S.COI MLF1608D R15K-T | B | 46.5/42.6 |
| L632 | 6200004600 | S.COI MLF1608D R15K-T | B | 44.5/35.7 |
| L651 | 6130002961 | S.COI #617DB-1327=P3 | T | 40.5/35.6 |
| L652 | 6130002961 | S.COI #617DB-1327=P3 | T | 40.5/22.6 |
| L671 | 6200002431 | S.COI NLV25T-082J | B | 41.3/22.4 |
| L672 | 6200002641 | S.COI NLV25T-R15J | B | 46.1/21.0 |
| L701 | 6200005491 | S.COI NLV32T-331J | T | 45.3/7.2 |
| L702 | 6200010660 | S.COI C2520C-R15G-A (0.15U) | T | 35.6/7.8 |
| L703 | 6200010660 | S.COI C2520C-R15G-A (0.15U) | T | 36.1/11.3 |

[RF-A UNIT]

| REF NO. | PARTS NO. | DESCRIPTION | M. | H/V LOCATION |
|---------|------------|---------------------------------------|----|--------------|
| L704 | 6200010860 | S.COI C2520C-R10G-A (0.1U) | T | 35.2/16.3 |
| L721 | 6140004680 | S.COI LR-528 4KBL | T | 30.2/23.9 |
| L722 | 6200009060 | S.COI LQH32CN101K23L | B | 36.2/49.6 |
| L723 | 6150005320 | COI LS-546 7K7 | | |
| L741 | 6200005011 | S.COI NLV25T-100J | B | 36.6/58.3 |
| L742 | 6200005011 | S.COI NLV25T-100J | T | 42.1/66.0 |
| L743 | 6200010740 | S.COI C2520C-R27G-A | T | 37.9/65.5 |
| L781 | 6200005011 | S.COI NLV25T-100J | B | 41.7/63.6 |
| L811 | 6200003281 | S.COI NLV25T-2R2J | T | 12.4/35.2 |
| L812 | 6200005011 | S.COI NLV25T-100J | B | 15.0/32.6 |
| L831 | 6200011680 | S.COI LQW18ANR12G00D | T | 8.5/43.5 |
| L832 | 6200011650 | S.COI LQW18ANR2G00D | T | 10.5/42.7 |
| L833 | 6200011650 | S.COI LQW18ANR2G00D | T | 12.4/43.5 |
| L851 | 6130002961 | S.COI #617DB-1327=P3 | T | 19.8/38.6 |
| L852 | 6200005011 | S.COI NLV25T-100J | B | 11.6/45.1 |
| L853 | 6200005011 | S.COI NLV25T-100J | B | 45.0/33.2 |
| L854 | 6200005011 | S.COI NLV25T-100J | B | 22.6/41.9 |
| L855 | 6200008080 | S.COI LQW2BHNR22J03L | T | 21.2/42.0 |
| L856 | 6200008080 | S.COI LQW2BHNR22J03L | T | 21.2/35.1 |
| L861 | 6200011770 | S.COI LQW18ANR10G00D | T | 14.0/24.4 |
| L862 | 6200011770 | S.COI LQW18ANR10G00D | T | 16.0/21.2 |
| L863 | 6200011770 | S.COI LQW18ANR10G00D | T | 16.0/26.4 |
| L864 | 6200009250 | S.COI LQW18ANR22G00D (LQW1608AR22G00) | T | 16.4/28.4 |
| L865 | 6200003281 | S.COI NLV25T-2R2J | B | 19.3/17.2 |
| L866 | 6200003281 | S.COI NLV25T-2R2J | B | 5.2/30.2 |
| L867 | 6200003281 | S.COI NLV25T-2R2J | B | 10.5/25.4 |
| L868 | 6200011660 | S.COI LQW18ANR15G00D | T | 7.0/24.7 |
| L869 | 6200011670 | S.COI LQW18ANR2G00D | T | 5.0/21.4 |
| L870 | 6200011770 | S.COI LQW18ANR10G00D | T | 5.0/26.7 |
| L871 | 6200006671 | S.COI ELJRE 68NGFA | T | 12.2/27.2 |
| L901 | 6200005011 | S.COI NLV25T-100J | B | 48.7/66.2 |
| L902 | 6200005011 | S.COI NLV25T-100J | B | 51.2/65.2 |
| L903 | 6200005011 | S.COI NLV25T-100J | B | 81.1/65.4 |
| L911 | 6200005011 | S.COI NLV25T-100J | B | 57.0/55.7 |
| L912 | 6200010870 | S.COI C2520C-R33G-A (0.33U) | T | 55.3/64.5 |
| L915 | 6200010870 | S.COI C2520C-R33G-A (0.33U) | T | 77.8/61.3 |
| L916 | 6200005011 | S.COI NLV25T-100J | B | 74.7/55.7 |
| L931 | 6200005011 | S.COI NLV25T-100J | B | 55.2/52.4 |
| L932 | 6200005011 | S.COI NLV25T-100J | B | 66.2/53.4 |
| L951 | 6200005011 | S.COI NLV25T-100J | B | 53.3/37.1 |
| L952 | 6200005011 | S.COI NLV25T-100J | B | 79.8/37.1 |
| L1001 | 6200005011 | S.COI NLV25T-100J | B | 83.6/66.2 |
| L1011 | 6200005011 | S.COI NLV25T-100J | B | 88.0/64.4 |
| L1031 | 6200005011 | S.COI NLV25T-100J | B | 87.1/54.0 |
| L1032 | 6200010860 | S.COI C2520C-R10G-A (0.1U) | T | 85.5/59.6 |
| L1033 | 6200010720 | S.COI C2520C-56NG-A | T | 89.2/58.8 |
| L1051 | 6140003930 | COI LR-492 | | |
| L1071 | 6190001621 | COI #E544EN-100028 | | |
| L1072 | 6200005011 | S.COI NLV25T-100J | B | 107.8/56.4 |
| L1101 | 6140002810 | S.COI LR-317 | T | 93.1/40.8 |
| L1102 | 6140002810 | S.COI LR-317 | T | 100.9/37.6 |
| L1103 | 6140002810 | S.COI LR-317 | T | 93.3/28.4 |
| L1104 | 6140002810 | S.COI LR-317 | T | 100.9/25.2 |
| L1121 | 6200010670 | S.COI C2520C-R18G-A (0.18U) | T | 103.0/16.6 |
| L1122 | 6200005011 | S.COI NLV25T-100J | B | 101.6/11.7 |
| L1141 | 6200005011 | S.COI NLV25T-100J | B | 92.3/17.2 |
| L1221 | 6200003520 | S.COI ELJFB 102K-F | B | 108.1/46.3 |
| R301 | 7030003860 | S.RES ERJ3GE JPW V | T | 73.5/22.5 |
| R314 | 7030003860 | S.RES ERJ3GE JPW V | T | 58.9/32.5 |
| R315 | 7030003560 | S.RES ERJ3GEYJ 103 V (10K) | B | 58.4/50.1 |
| R316 | 7030003560 | S.RES ERJ3GEYJ 103 V (10K) | B | 57.0/37.5 |
| R317 | 7030003440 | S.RES ERJ3GEYJ 102 V (1K) | T | 66.1/14.7 |
| R319 | 7030003440 | S.RES ERJ3GEYJ 102 V (1K) | T | 67.3/14.7 |
| R321 | 7030003440 | S.RES ERJ3GEYJ 102 V (1K) | T | 77.8/13.9 |
| R323 | 7030003440 | S.RES ERJ3GEYJ 102 V (1K) | T | 69.7/14.7 |
| R325 | 7030003440 | S.RES ERJ3GEYJ 102 V (1K) | T | 73.9/14.7 |
| R326 | 7030003520 | S.RES ERJ3GEYJ 472 V (4.7K) | B | 79.5/25.9 |
| R327 | 7030003440 | S.RES ERJ3GEYJ 102 V (1K) | T | 75.1/14.7 |
| R329 | 7030003440 | S.RES ERJ3GEYJ 102 V (1K) | T | 77.0/15.4 |
| R331 | 7030003440 | S.RES ERJ3GEYJ 102 V (1K) | T | 68.5/14.7 |
| R333 | 7030003440 | S.RES ERJ3GEYJ 102 V (1K) | T | 71.2/14.7 |
| R335 | 7030003440 | S.RES ERJ3GEYJ 102 V (1K) | T | 72.4/14.7 |
| R343 | 7030003440 | S.RES ERJ3GEYJ 102 V (1K) | T | 79.8/14.7 |
| R351 | 7030003440 | S.RES ERJ3GEYJ 102 V (1K) | T | 63.7/14.7 |
| R352 | 7030003440 | S.RES ERJ3GEYJ 102 V (1K) | T | 64.9/14.7 |
| R353 | 7030003440 | S.RES ERJ3GEYJ 102 V (1K) | T | 62.5/14.7 |
| R451 | 7030003320 | S.RES ERJ3GEYJ 101 V (100) | B | 69.1/28.0 |
| R452 | 7030003320 | S.RES ERJ3GEYJ 101 V (100) | B | 72.7/28.0 |
| R453 | 7030003320 | S.RES ERJ3GEYJ 101 V (100) | B | 70.9/27.3 |
| R454 | 7030003320 | S.RES ERJ3GEYJ 101 V (100) | B | 67.0/28.0 |
| R455 | 7030004050 | S.RES ERJ3GEYJ 1R0 V (1) | T | 62.6/30.2 |
| R456 | 7030004050 | S.RES ERJ3GEYJ 1R0 V (1) | T | 62.6/29.4 |
| R457 | 7030003560 | S.RES ERJ3GEYJ 103 V (10K) | T | 85.2/31.2 |
| R458 | 7030003560 | S.RES ERJ3GEYJ 103 V (10K) | T | 83.9/31.2 |
| R459 | 7030003860 | S.RES ERJ3GE JPW V | B | 73.8/32.7 |
| R481 | 7030003560 | S.RES ERJ3GEYJ 103 V (10K) | T | 53.5/14.4 |
| R482 | 7030000200 | S.RES MCR10EZHJ 33 (330) | B | 51.2/12.1 |
| R483 | 7030003500 | S.RES ERJ3GEYJ 332 V (3.3K) | B | 51.0/17.6 |
| R484 | 7030003500 | S.RES ERJ3GEYJ 332 V (3.3K) | B | 51.0/16.0 |
| R485 | 7030003500 | S.RES ERJ3GEYJ 332 V (3.3K)</ | | |

[RF-A UNIT]

| REF NO. | PARTS NO. | DESCRIPTION | M. | H/V LOCATION |
|---------|------------|-----------------------------|----|--------------|
| R606 | 7030003200 | S.RES ERJ3GEYJ 100 V (10) | T | 41.1/16.2 |
| R611 | 7030003540 | S.RES ERJ3GEYJ 682 V (6.8K) | T | 44.1/53.3 |
| R612 | 7030003450 | S.RES ERJ3GEYJ 122 V (1.2K) | T | 39.0/56.1 |
| R613 | 7030003220 | S.RES ERJ3GEYJ 150 V (15) | T | 38.8/53.4 |
| R615 | 7030003340 | S.RES ERJ3GEYJ 151 V (150) | T | 46.4/56.1 |
| R616 | 7030003500 | S.RES ERJ3GEYJ 332 V (3.3K) | T | 44.1/52.0 |
| R617 | 7030003260 | S.RES ERJ3GEYJ 330 V (33) | T | 43.5/56.1 |
| R618 | 7510001561 | S.THE NTCG16 4BH 102JT | T | 40.2/56.1 |
| R671 | 7030003320 | S.RES ERJ3GEYJ 101 V (100) | B | 37.8/23.1 |
| R701 | 7030003320 | S.RES ERJ3GEYJ 101 V (100) | T | 41.9/6.9 |
| R702 | 7030003640 | S.RES ERJ3GEYJ 473 V (47K) | B | 47.5/5.2 |
| R703 | 7030003560 | S.RES ERJ3GEYJ 103 V (10K) | B | 51.5/6.0 |
| R704 | 7030003480 | S.RES ERJ3GEYJ 222 V (2.2K) | B | 45.7/6.8 |
| R705 | 7030003600 | S.RES ERJ3GEYJ 223 V (22K) | B | 53.8/6.8 |
| R706 | 7030003640 | S.RES ERJ3GEYJ 473 V (47K) | T | 48.8/5.1 |
| R721 | 7030003400 | S.RES ERJ3GEYJ 471 V (470) | B | 29.4/29.0 |
| R722 | 7030003400 | S.RES ERJ3GEYJ 471 V (470) | B | 26.6/29.0 |
| R723 | 7030003400 | S.RES ERJ3GEYJ 471 V (470) | B | 30.9/29.0 |
| R724 | 7030003400 | S.RES ERJ3GEYJ 471 V (470) | T | 32.5/29.0 |
| R725 | 7310004860 | S.TRI EVM-3YSX50 B53 (502) | T | 27.9/34.1 |
| R726 | 7310004860 | S.TRI EVM-3YSX50 B53 (502) | T | 32.2/34.1 |
| R741 | 7030003280 | S.RES ERJ3GEYJ 470 V (47) | B | 32.6/56.4 |
| R742 | 7030003250 | S.RES ERJ3GEYJ 270 V (27) | B | 36.5/61.0 |
| R743 | 7030003420 | S.RES ERJ3GEYJ 681 V (680) | T | 38.9/61.5 |
| R744 | 7030003480 | S.RES ERJ3GEYJ 222 V (2.2K) | T | 41.5/62.7 |
| R746 | 7030003200 | S.RES ERJ3GEYJ 100 V (10) | B | 34.2/60.3 |
| R761 | 7030004030 | S.RES ERJ3GEYJ 5R6 V (5.6) | B | 38.0/67.0 |
| R762 | 7030003360 | S.RES ERJ3GEYJ 221 V (220) | B | 38.0/65.4 |
| R763 | 7030004030 | S.RES ERJ3GEYJ 5R6 V (5.6) | B | 41.1/67.0 |
| R781 | 7030003320 | S.RES ERJ3GEYJ 101 V (100) | B | 44.2/65.3 |
| R811 | 7030003450 | S.RES ERJ3GEYJ 122 V (1.2K) | T | 4.9/30.8 |
| R812 | 7030003420 | S.RES ERJ3GEYJ 681 V (680) | T | 4.1/33.9 |
| R813 | 7030003380 | S.RES ERJ3GEYJ 331 V (330) | T | 12.0/33.3 |
| R814 | 7030004040 | S.RES ERJ3GEYJ 4R7 V (4.7) | T | 12.0/37.1 |
| R851 | 7030003410 | S.RES ERJ3GEYJ 561 V (560) | B | 12.6/42.2 |
| R852 | 7030004030 | S.RES ERJ3GEYJ 5R6 V (5.6) | B | 15.2/42.2 |
| R853 | 7030003360 | S.RES ERJ3GEYJ 221 V (220) | B | 19.1/41.5 |
| R854 | 7030004030 | S.RES ERJ3GEYJ 5R6 V (5.6) | B | 16.5/41.5 |
| R855 | 7030003860 | S.RES ERJ3GE JPW V | B | 33.3/33.1 |
| R856 | 7030003340 | S.RES ERJ3GEYJ 151 V (150) | B | 39.5/33.1 |
| R857 | 7030003860 | S.RES ERJ3GE JPW V | B | 36.4/33.1 |
| R858 | 7030003320 | S.RES ERJ3GEYJ 101 V (100) | T | 23.7/40.0 |
| R859 | 7030003320 | S.RES ERJ3GEYJ 101 V (100) | T | 23.7/37.2 |
| R861 | 7030003410 | S.RES ERJ3GEYJ 561 V (560) | B | 14.8/23.5 |
| R862 | 7030003410 | S.RES ERJ3GEYJ 561 V (560) | B | 14.8/29.5 |
| R863 | 7030003410 | S.RES ERJ3GEYJ 561 V (560) | T | 10.3/25.0 |
| R864 | 7030003410 | S.RES ERJ3GEYJ 561 V (560) | T | 10.3/28.1 |
| R865 | 7030003360 | S.RES ERJ3GEYJ 221 V (220) | B | 8.7/32.0 |
| R866 | 7030003360 | S.RES ERJ3GEYJ 221 V (220) | B | 15.8/18.2 |
| R867 | 7030003640 | S.RES ERJ3GEYJ 473 V (47K) | T | 20.0/24.5 |
| R868 | 7030003640 | S.RES ERJ3GEYJ 473 V (47K) | T | 20.0/27.3 |
| R870 | 7030003410 | S.RES ERJ3GEYJ 561 V (560) | B | 6.7/22.7 |
| R871 | 7030003410 | S.RES ERJ3GEYJ 561 V (560) | B | 6.7/29.1 |
| R872 | 7030003640 | S.RES ERJ3GEYJ 473 V (47K) | B | 22.3/26.1 |
| R873 | 7030003640 | S.RES ERJ3GEYJ 473 V (47K) | T | 20.0/21.7 |
| R901 | 7030003410 | S.RES ERJ3GEYJ 561 V (560) | B | 48.7/62.7 |
| R902 | 7030003410 | S.RES ERJ3GEYJ 561 V (560) | B | 50.4/62.0 |
| R903 | 7030003410 | S.RES ERJ3GEYJ 561 V (560) | B | 82.3/61.9 |
| R911 | 7030003320 | S.RES ERJ3GEYJ 101 V (100) | B | 53.0/56.6 |
| R912 | 7030003320 | S.RES ERJ3GEYJ 101 V (100) | B | 78.2/56.8 |
| R931 | 7030003320 | S.RES ERJ3GEYJ 101 V (100) | B | 52.9/52.1 |
| R932 | 7030003320 | S.RES ERJ3GEYJ 101 V (100) | B | 72.3/53.4 |
| R951 | 7030003320 | S.RES ERJ3GEYJ 101 V (100) | B | 53.7/40.6 |
| R952 | 7030003320 | S.RES ERJ3GEYJ 101 V (100) | B | 80.8/39.9 |
| R1001 | 7030003410 | S.RES ERJ3GEYJ 561 V (560) | B | 83.9/62.7 |
| R1011 | 7030003320 | S.RES ERJ3GEYJ 101 V (100) | B | 87.5/66.9 |
| R1021 | 7030003400 | S.RES ERJ3GEYJ 471 V (470) | T | 88.3/67.4 |
| R1022 | 7030003200 | S.RES ERJ3GEYJ 100 V (10) | T | 90.4/68.1 |
| R1023 | 7030003400 | S.RES ERJ3GEYJ 471 V (470) | T | 92.4/67.4 |
| R1031 | 7030003320 | S.RES ERJ3GEYJ 101 V (100) | B | 87.1/57.5 |
| R1051 | 7030003440 | S.RES ERJ3GEYJ 102 V (1K) | T | 93.1/54.2 |
| R1052 | 7030003400 | S.RES ERJ3GEYJ 471 V (470) | T | 93.1/52.9 |
| R1053 | 7030003520 | S.RES ERJ3GEYJ 472 V (4.7K) | T | 93.1/51.6 |
| R1054 | 7030003200 | S.RES ERJ3GEYJ 100 V (10) | B | 96.1/54.7 |
| R1055 | 7030003300 | S.RES ERJ3GEYJ 680 V (68) | B | 95.9/58.6 |
| R1057 | 7030003340 | S.RES ERJ3GEYJ 151 V (150) | B | 90.0/51.2 |
| R1058 | 7030003550 | S.RES ERJ3GEYJ 822 V (8.2K) | T | 95.2/50.9 |
| R1071 | 7030003200 | S.RES ERJ3GEYJ 100 V (10) | B | 101.0/59.5 |
| R1072 | 7030003200 | S.RES ERJ3GEYJ 100 V (10) | B | 100.4/54.5 |
| R1073 | 7030003200 | S.RES ERJ3GEYJ 100 V (10) | B | 102.3/56.1 |
| R1074 | 7030003280 | S.RES ERJ3GEYJ 470 V (47) | B | 103.1/54.0 |
| R1075 | 7030003520 | S.RES ERJ3GEYJ 472 V (4.7K) | T | 105.3/61.9 |
| R1076 | 7030003550 | S.RES ERJ3GEYJ 822 V (8.2K) | T | 106.8/61.9 |
| R1077 | 7030003680 | S.RES ERJ3GEYJ 104 V (100K) | T | 106.1/63.9 |
| R1078 | 7030003680 | S.RES ERJ3GEYJ 104 V (100K) | B | 107.6/59.8 |
| R1079 | 7030003320 | S.RES ERJ3GEYJ 101 V (100) | B | 108.4/59.9 |
| R1121 | 7030003320 | S.RES ERJ3GEYJ 101 V (100) | B | 96.1/16.5 |
| R1122 | 7030003320 | S.RES ERJ3GEYJ 101 V (100) | B | 97.9/16.5 |
| R1123 | 7030003320 | S.RES ERJ3GEYJ 101 V (100) | T | 99.4/16.6 |
| R1124 | 7030003320 | S.RES ERJ3GEYJ 101 V (100) | T | 96.6/16.6 |
| R1125 | 7030003680 | S.RES ERJ3GEYJ 104 V (100K) | B | 93.8/16.6 |
| R1141 | 7030003400 | S.RES ERJ3GEYJ 471 V (470) | T | 88.2/15.5 |
| R1142 | 7030003630 | S.RES ERJ3GEYJ 393 V (39K) | T | 88.2/12.9 |
| R1143 | 7030003220 | S.RES ERJ3GEYJ 150 V (15) | B | 95.5/8.8 |
| R1144 | 7030003280 | S.RES ERJ3GEYJ 470 V (47) | T | 90.8/11.4 |
| R1145 | 7030003380 | S.RES ERJ3GEYJ 331 V (330) | B | 94.8/5.7 |
| R1146 | 7030003380 | S.RES ERJ3GEYJ 331 V (330) | B | 96.4/6.4 |
| R1201 | 7030003240 | S.RES ERJ3GEYJ 220 V (22) | B | 100.5/34.3 |
| R1202 | 7030010980 | S.RES ERA3YHD 470V (47) | B | 99.5/37.2 |
| R1203 | 7030011050 | S.RES ERA3YHD 100V (10) | T | 108.6/26.6 |
| R1204 | 7030003540 | S.RES ERJ3GEYJ 682 V (6.8K) | T | 106.0/42.8 |
| R1205 | 7030003320 | S.RES ERJ3GEYJ 101 V (100) | T | 106.0/26.6 |
| R1221 | 7030003420 | S.RES ERJ3GEYJ 681 V (680) | B | 104.2/42.9 |
| R1222 | 7030007230 | S.RES ERA3YED 102V (1K) | B | 113.1/43.5 |
| R1223 | 7030010560 | S.RES ERA3YED 302V (3K) | B | 123.7/44.0 |

[RF-A UNIT]

| REF NO. | PARTS NO. | DESCRIPTION | M. | H/V LOCATION |
|---------|------------|-----------------------------|----|--------------|
| R1224 | 7030009891 | S.RES ERA3YED 151V (150) | B | 123.0/42.4 |
| R1225 | 7030005321 | S.RES ERA3YED 103V (10K) | B | 110.4/35.4 |
| R1226 | 7030007230 | S.RES ERA3YED 102V (1K) | B | 113.1/45.1 |
| R1227 | 7030007230 | S.RES ERA3YED 102V (1K) | B | 123.0/45.6 |
| R1228 | 7030005321 | S.RES ERA3YED 103V (10K) | B | 110.4/32.1 |
| R1229 | 7030005321 | S.RES ERA3YED 103V (10K) | B | 110.4/29.0 |
| R1230 | 7030005321 | S.RES ERA3YED 103V (10K) | B | 112.0/36.2 |
| R1251 | 7030010980 | S.RES ERA3YHD 470V (47) | B | 92.6/41.1 |
| R1252 | 7030003240 | S.RES ERJ3GEYJ 220 V (22) | B | 94.9/40.3 |
| R1253 | 7030003320 | S.RES ERJ3GEYJ 101 V (100) | T | 106.0/34.7 |
| R1254 | 7030011050 | S.RES ERA3YHD 100V (10) | T | 108.6/34.7 |
| R1255 | 7030003460 | S.RES ERJ3GEYJ 152 V (1.5K) | T | 107.3/42.8 |
| R1271 | 7030003420 | S.RES ERJ3GEYJ 681 V (680) | B | 105.8/42.9 |
| R1272 | 7030007230 | S.RES ERA3YED 102V (1K) | B | 113.1/41.1 |
| R1273 | 7030007230 | S.RES ERA3YED 102V (1K) | B | 113.1/38.8 |
| R1274 | 7030006601 | S.RES ERA3YED 272V (2.7K) | B | 123.0/39.2 |
| R1275 | 7030007230 | S.RES ERA3YED 102V (1K) | B | 123.7/40.8 |
| R1276 | 7310004780 | S.TRI EVM-3YSX50 B13 (102) | T | 121.2/36.4 |
| R1277 | 7030005321 | S.RES ERA3YED 103V (10K) | B | 122.5/35.5 |
| R1278 | 7030005321 | S.RES ERA3YED 103V (10K) | B | 120.8/36.4 |
| R1279 | 7030005321 | S.RES ERA3YED 103V (10K) | B | 122.5/32.3 |
| R1280 | 7030005321 | S.RES ERA3YED 103V (10K) | B | 122.5/29.2 |
| R1281 | 7030006571 | S.RES ERA3YED 392V (3.9K) | B | 122.5/26.1 |
| R1285 | 7030006571 | S.RES ERA3YED 392V (3.9K) | B | 112.8/24.5 |
| R1292 | 7030003320 | S.RES ERJ3GEYJ 101 V (100) | T | 115.9/36.4 |
| R1293 | 7030003320 | S.RES ERJ3GEYJ 101 V (100) | T | 118.6/45.9 |
| R1294 | 7030003320 | S.RES ERJ3GEYJ 101 V (100) | T | 115.9/34.0 |
| R1295 | 7030003320 | S.RES ERJ3GEYJ 101 V (100) | T | 118.7/34.0 |
| R1302 | 7030003860 | S.RES ERJ3GE JPW V | B | 119.8/24.5 |
| R1303 | 7030009691 | S.RES ERA3YED 101V (100) | T | 112.8/24.5 |
| R1703 | 7030003860 | S.RES ERJ3GE JPW V | B | 35.2/38.9 |
| C302 | 4030011600 | S.CER C1608 JB 1E 104K-T | B | 72.0/15.9 |
| C303 | 4030011600 | S.CER C1608 JB 1E 104K-T | B | 62.0/15.7 |
| C305 | 4030011600 | S.CER C1608 JB 1E 104K-T | B | 77.3/13.0 |
| C451 | 4030011600 | S.CER C1608 JB 1E 104K-T | B | 80.1/32.0 |
| C452 | 4030019560 | S.CER GRM21BB31C106KE15L | T | 80.2/32.7 |
| C453 | 4030011600 | S.CER C1608 JB 1E 104K-T | T | 63.3/32.7 |
| C454 | 4030019560 | S.CER GRM21BB31C106KE15L | B | 60.4/29.8 |
| C455 | 4030011600 | S.CER C1608 JB 1E 104K-T | T | 82.6/32.0 |
| C456 | 4030019560 | S.CER GRM21BB31C106KE15L | B | 82.6/33.7 |
| C457 | 4030011600 | S.CER C1608 JB 1E 104K-T | T | 77.7/32.7 |
| C458 | 4030019560 | S.CER GRM21BB31C106KE15L | B | 77.7/32.7 |
| C459 | 4030007130 | S.CER C1608 CH 1H 101J-T | T | 70.0/32.7 |
| C460 | 4030007130 | S.CER C1608 CH 1H 101J-T | T | 72.6/32.7 |
| C461 | 4030007130 | S.CER C1608 CH 1H 101J-T | T | 71.3/32.7 |
| C462 | 4030007130 | S.CER C1608 CH 1H 101J-T | T | 68.7/32.7 |
| C463 | 4030017810 | S.CER C1608 CH 1H 102J-T | T | 74.4/32.7 |
| C464 | 4030006860 | S.CER C1608 JB 1E 102K-T | T | 75.7/32.7 |
| C465 | 4030011600 | S.CER C1608 JB 1E 104K-T | T | 78.9/32.0 |
| C466 | 4030007130 | S.CER C1608 CH 1H 101J-T | T | 65.9/32.7 |
| C467 | 4030007130 | S.CER C1608 CH 1H 101J-T | T | 67.2/32.7 |
| C468 | 4030011600 | S.CER C1608 JB 1E 104K-T | T | 64.6/32.7 |
| C469 | 4510008510 | S.ELE EEE1CA471P | T | 53.8/26.9 |
| C470 | 4030011600 | S.CER C1608 JB 1E 104K-T | B | 89.4/30.2 |
| C471 | 4030011600 | S.CER C1608 JB 1E 104K-T | T | 82.5/14.6 |
| C472 | 4030011600 | S.CER C1608 JB 1E 104K-T | T | 61.6/22.7 |
| C473 | 4030007130 | S.CER C1608 CH 1H 101J-T | B | 83.9/9.5 |
| C474 | 4030007130 | S.CER C1608 CH 1H 101J-T | B | 83.9/11.1 |
| C475 | 4030011600 | S.CER C1608 JB 1E 104K-T | B | 89.0/25.4 |
| C476 | 4030006860 | S.CER C1608 JB 1H 102K-T | B | 89.4/27.0 |
| C478 | 4030011600 | S.CER C1608 JB 1E 104K-T | B | 90.1/28.6 |
| C479 | 4030011600 | S.CER C1608 JB 1E 104K-T | B | 86.0/34.3 |
| C480 | 4030011600 | S.CER C1608 JB 1E 104K-T | B | 86.0/31.8 |
| C481 | 4030017480 | S.CER C1608 JB 1A 474K-T | T | 48.9/13.4 |
| C491 | 4030017480 | S.CER C1608 JB 1A 474K-T | T | 48.5/20.2 |
| C501 | 4030019120 | S.CER GRM188B31E105KA75D | B | 36.7/6.0 |
| C601 | 4030017810 | S.CER C1608 CH 1H 102J-T | T | 13.8/12.4 |
| C602 | 4030006900 | S.CER C1608 JB 1H 103K-T | T | 13.55/51.55 |
| C603 | 4030011600 | S.CER C1608 JB 1E 104K-T | T | 16.6/51.6 |
| C604 | 4030011600 | S.CER C1608 JB 1E 104K-T | T | 14.6/45.1 |
| C605 | 4030011600 | S.CER C1608 JB 1E 104K-T | B | 14.2/48.9 |
| C606 | 4030011600 | S.CER C1608 JB 1E 104K-T | B | 19.3/46.6 |
| C607 | 4030011600 | S.CER C16 | | |

[RF-A UNIT]

| REF NO. | PARTS NO. | DESCRIPTION | M. | H/V LOCATION |
|---------|------------|--|----|--------------|
| C726 | 4030007030 | S.CER C1608 CH 1H 150J-T | B | 31.9/42.3 |
| C727 | 4030011600 | S.CER C1608 JB 1E 104K-T | B | 30.1/42.2 |
| C741 | 4030017810 | S.CER C1608 CH 1H 102J-T | B | 32.6/59.5 |
| C742 | 4030011600 | S.CER C1608 JB 1E 104K-T | T | 40.2/61.5 |
| C743 | 4030006900 | S.CER C1608 JB 1H 103K-T | T | 40.2/66.3 |
| C744 | 4030011770 | S.CER C1608 CH 1H 060B-T | T | 35.7/65.4 |
| C745 | 4030007040 | S.CER C1608 CH 1H 180J-T | B | 35.7/66.3 |
| C746 | 4030009920 | S.CER C1608 CH 1H 050B-T | B | 34.2/57.2 |
| C747 | 4030009920 | S.CER C1608 CH 1H 050B-T | B | 24.4/48.9 |
| C781 | 4030006900 | S.CER C1608 JB 1H 103K-T | B | 44.2/67.0 |
| C782 | 4030006900 | S.CER C1608 JB 1H 103K-T | T | 42.8/62.7 |
| C811 | 4030017810 | S.CER C1608 CH 1H 102J-T | T | 4.9/32.0 |
| C812 | 4030006900 | S.CER C1608 JB 1H 103K-T | T | 7.3/40.8 |
| C814 | 4030011600 | S.CER C1608 JB 1E 104K-T | T | 13.8/37.8 |
| C831 | 4030007020 | S.CER C1608 CH 1H 120J-T | T | 8.5/40.8 |
| C832 | 4030007060 | S.CER C1608 CH 1H 270J-T | T | 9.7/40.8 |
| C833 | 4030007020 | S.CER C1608 CH 1H 120J-T | T | 10.5/43.9 |
| C834 | 4030006980 | S.CER C1608 CH 1H 070D-T | T | 13.6/43.5 |
| C835 | 4030008560 | S.CER C1608 CH 1H 300J-T | T | 11.2/40.8 |
| C836 | 4030007040 | S.CER C1608 CH 1H 180J-T | T | 12.4/40.8 |
| C851 | 4030017810 | S.CER C1608 CH 1H 102J-T | B | 38.8/34.7 |
| C852 | 4030017810 | S.CER C1608 CH 1H 102J-T | B | 17.8/40.7 |
| C853 | 4030006900 | S.CER C1608 JB 1H 103K-T | B | 46.0/30.2 |
| C854 | 4030006900 | S.CER C1608 JB 1H 103K-T | B | 24.8/42.2 |
| C855 | 4030006900 | S.CER C1608 JB 1H 103K-T | B | 20.4/40.7 |
| C856 | 4030006900 | S.CER C1608 JB 1H 103K-T | B | 42.2/32.4 |
| C860 | 4030006900 | S.CER C1608 JB 1H 103K-T | B | 13.4/17.4 |
| C861 | 4030006900 | S.CER C1608 JB 1H 103K-T | B | 15.6/25.0 |
| C862 | 4030006900 | S.CER C1608 JB 1H 103K-T | T | 14.0/27.2 |
| C863 | 4030006900 | S.CER C1608 JB 1H 103K-T | B | 15.6/28.0 |
| C864 | 4030006900 | S.CER C1608 JB 1H 103K-T | T | 6.7/31.5 |
| C865 | 4030006900 | S.CER C1608 JB 1H 103K-T | T | 9.1/25.7 |
| C866 | 4030006990 | S.CER C1608 CH 1H 080D-T | T | 15.2/28.4 |
| C867 | 4030006980 | S.CER C1608 CH 1H 070D-T | T | 16.0/25.2 |
| C868 | 4030007010 | S.CER C1608 CH 1H 100D-T | T | 16.0/22.4 |
| C869 | 4030007080 | S.CER C1608 CH 1H 390J-T | T | 16.0/23.8 |
| C870 | 4030007080 | S.CER C1608 CH 1H 390J-T | T | 14.0/21.7 |
| C871 | 4030006900 | S.CER C1608 JB 1H 103K-T | B | 6.0/24.3 |
| C872 | 4030007060 | S.CER C1608 CH 1H 270J-T | T | 7.0/21.7 |
| C873 | 4030008750 | S.CER C1608 CH 1H 360J-T | T | 5.0/22.9 |
| C874 | 4030007070 | S.CER C1608 CH 1H 330J-T | T | 5.0/24.3 |
| C875 | 4030007040 | S.CER C1608 CH 1H 180J-T | T | 5.0/25.5 |
| C876 | 4030007060 | S.CER C1608 CH 1H 270J-T | T | 5.0/28.1 |
| C877 | 4030006900 | S.CER C1608 JB 1H 103K-T | T | 7.0/28.1 |
| C878 | 4030006900 | S.CER C1608 JB 1H 103K-T | B | 6.0/27.5 |
| C879 | 4030007060 | S.CER C1608 CH 1H 270J-T | T | 11.5/29.0 |
| C880 | 4030007060 | S.CER C1608 CH 1H 270J-T | T | 11.5/25.3 |
| C901 | 4030006900 | S.CER C1608 JB 1H 103K-T | B | 48.7/59.6 |
| C911 | 4030006900 | S.CER C1608 JB 1H 103K-T | B | 58.6/58.4 |
| C912 | 4030006900 | S.CER C1608 JB 1H 103K-T | B | 52.3/61.2 |
| C913 | 4030007030 | S.CER C1608 CH 1H 150J-T | T | 60.1/63.4 |
| C914 | 4030009510 | S.CER C1608 CH 1H 010B-T | T | 61.4/63.4 |
| C916 | 4030006990 | S.CER C1608 CH 1H 080D-T | T | 64.6/59.5 |
| C917 | 4030006900 | S.CER C1608 JB 1H 103K-T | B | 80.3/60.3 |
| C918 | 4030007030 | S.CER C1608 CH 1H 150J-T | T | 72.9/62.4 |
| C919 | 4030009510 | S.CER C1608 CH 1H 010B-T | T | 71.6/62.4 |
| C920 | 4030006900 | S.CER C1608 JB 1H 103K-T | B | 74.2/58.4 |
| C931 | 4030006900 | S.CER C1608 JB 1H 103K-T | B | 57.5/52.7 |
| C932 | 4030006900 | S.CER C1608 JB 1H 103K-T | B | 51.2/52.1 |
| C933 | 4030006900 | S.CER C1608 JB 1H 103K-T | B | 80.3/51.2 |
| C934 | 4030006900 | S.CER C1608 JB 1H 103K-T | B | 62.7/52.7 |
| C951 | 4030006900 | S.CER C1608 JB 1H 103K-T | B | 52.7/43.1 |
| C952 | 4030006900 | S.CER C1608 JB 1H 103K-T | B | 55.4/37.5 |
| C953 | 4030006900 | S.CER C1608 JB 1H 103K-T | B | 82.1/43.2 |
| C954 | 4030006900 | S.CER C1608 JB 1H 103K-T | B | 77.9/36.8 |
| C1001 | 4030006900 | S.CER C1608 JB 1H 103K-T | B | 83.2/59.6 |
| C1011 | 4030006900 | S.CER C1608 JB 1H 103K-T | T | 86.3/68.1 |
| C1012 | 4030006900 | S.CER C1608 JB 1H 103K-T | B | 88.7/61.6 |
| C1031 | 4030006900 | S.CER C1608 JB 1H 103K-T | B | 87.1/49.3 |
| C1032 | 4030007120 | S.CER C1608 CH 1H 820J-T | T | 86.2/57.4 |
| C1033 | 4030007150 | S.CER C1608 CH 1H 151J-T | T | 89.2/55.9 |
| C1051 | 4030010750 | S.CER C1608 CH 1H 201J-T | T | 89.4/61.6 |
| C1052 | 4030011600 | S.CER C1608 JB 1E 104K-T | T | 89.7/53.7 |
| C1053 | 4030011600 | S.CER C1608 JB 1E 104K-T | T | 91.1/53.7 |
| C1054 | 4030007010 | S.CER C1608 CH 1H 100D-T | B | 93.0/54.7 |
| C1055 | 4030006900 | S.CER C1608 JB 1H 103K-T | T | 93.1/50.1 |
| C1071 | 4030006980 | S.CER C1608 CH 1H 070D-T | B | 99.4/61.2 |
| C1072 | 4030006900 | S.CER C1608 JB 1H 103K-T | B | 104.3/61.9 |
| C1073 | 4030007040 | S.CER C1608 CH 1H 180J-T | B | 102.1/50.8 |
| C1074 | 4030017810 | S.CER C1608 CH 1H 102J-T | B | 103.1/52.4 |
| C1075 | 4030017810 | S.CER C1608 CH 1H 102J-T | B | 105.6/56.1 |
| C1076 | 4030011600 | S.CER C1608 JB 1E 104K-T | B | 104.0/56.1 |
| C1077 | 4030011600 | S.CER C1608 JB 1E 104K-T | B | 106.1/59.2 |
| C1078 | 4030006900 | S.CER C1608 JB 1H 103K-T | T | 107.6/58.5 |
| C1101 | 4030009920 | S.CER C1608 CH 1H 050B-T | B | 96.0/48.5 |
| C1102 | 4030009920 | S.CER C1608 CH 1H 050B-T | B | 98.4/47.7 |
| C1103 | 4030017810 | S.CER C1608 CH 1H 102J-T | B | 96.1/19.6 |
| C1104 | 4030017810 | S.CER C1608 CH 1H 102J-T | B | 97.9/19.6 |
| C1121 | 4610001970 | S.TRI TZC3P200A110R00 (TZC03P200A1102) | T | 104.4/12.4 |
| C1122 | 4030009530 | S.CER C1608 CH 1H 030B-T | T | 101.8/11.7 |
| C1124 | 4030017810 | S.CER C1608 CH 1H 102J-T | T | 91.0/16.6 |
| C1125 | 4030011600 | S.CER C1608 JB 1E 104K-T | B | 101.6/16.5 |
| C1141 | 4030006900 | S.CER C1608 JB 1H 103K-T | B | 88.3/16.1 |
| C1142 | 4030006900 | S.CER C1608 JB 1H 103K-T | T | 89.5/11.4 |
| C1201 | 4030018640 | S.CER C2012 CH 1H 103J-T | B | 102.2/38.2 |
| C1202 | 4550003220 | S.TAN TEESVA 1E 105M8R | B | 104.1/34.3 |
| C1203 | 4030007010 | S.CER C1608 CH 1H 100D-T | T | 107.3/26.6 |
| C1204 | 4030006900 | S.CER C1608 JB 1H 103K-T | T | 106.0/31.9 |
| C1205 | 4030019120 | S.CER GRM188B31E105KA75D | T | 107.3/31.9 |
| C1206 | 4030010760 | S.CER C1608 CH 1H 331J-T | T | 108.6/31.9 |
| C1221 | 4030018800 | S.CER C3216 CH 1H 223J-T | B | 107.9/41.4 |
| C1222 | 4030019560 | S.CER GRM21BB31C106KE15L | B | 103.3/46.5 |
| C1223 | 4030011600 | S.CER C1608 JB 1E 104K-T | B | 103.6/45.0 |
| C1224 | 4030007170 | S.CER C1608 CH 1H 221J-T | B | 120.6/43.2 |

[RF-A UNIT]

| REF NO. | PARTS NO. | DESCRIPTION | M. | H/V LOCATION |
|---------|------------|------------------------------|----|--------------|
| C1225 | 4030007160 | S.CER C1608 CH 1H 181J-T | B | 115.4/36.0 |
| C1226 | 4030009350 | S.CER C1608 CH 1H 3R5B-T | B | 113.6/35.4 |
| C1251 | 4030018640 | S.CER C2012 CH 1H 103J-T | B | 90.8/42.9 |
| C1252 | 4550003220 | S.TAN TEESVA 1E 105M8R | B | 95.4/37.9 |
| C1253 | 4030007010 | S.CER C1608 CH 1H 100D-T | T | 107.3/34.7 |
| C1254 | 4030006900 | S.CER C1608 JB 1H 103K-T | T | 107.3/40.0 |
| C1255 | 4030019120 | S.CER GRM188B31E105KA75D | T | 106.0/40.0 |
| C1256 | 4030010760 | S.CER C1608 CH 1H 331J-T | T | 108.6/40.0 |
| C1271 | 4030018800 | S.CER C3216 CH 1H 223J-T | B | 110.3/41.5 |
| C1272 | 4030007170 | S.CER C1608 CH 1H 221J-T | B | 120.6/40.0 |
| C1273 | 4030017870 | S.CER C1608 CH 1H 681J-T | B | 117.4/36.0 |
| C1274 | 4030011330 | S.CER C1608 CH 1H 391J-T | B | 119.1/35.5 |
| C1291 | 4510009920 | S.ELE 16 CE 100 LH | T | 112.8/42.2 |
| C1292 | 4030011600 | S.CER C1608 JB 1E 104K-T | T | 113.1/36.4 |
| C1293 | 4030011600 | S.CER C1608 JB 1E 104K-T | T | 122.1/45.9 |
| C1294 | 4510009920 | S.ELE 16 CE 100 LH | T | 122.0/41.7 |
| C1295 | 4510009920 | S.ELE 16 CE 100 LH | T | 113.7/29.8 |
| C1296 | 4030011600 | S.CER C1608 JB 1E 104K-T | T | 113.1/34.0 |
| C1297 | 4030011600 | S.CER C1608 JB 1E 104K-T | T | 121.5/34.0 |
| C1298 | 4510009920 | S.ELE 16 CE 100 LH | T | 122.0/29.8 |
| C1301 | 4030019120 | S.CER GRM188B31E105KA75D | T | 115.6/24.5 |
| J301 | 6510020081 | S.CON 52808-2071(2090) | T | 74.0/10.3 |
| J451 | 6510019991 | S.CON 52808-2271(2291) | T | 74.0/26.9 |
| J501 | 6510028210 | S.CON SJ050010 (TMP-J01X-V6) | T | |
| J701 | 6510028210 | CON SJ050010 (TMP-J01X-V6) | T | |
| J741 | 6510028210 | CON SJ050010 (TMP-J01X-V6) | T | |
| J801 | 6510028210 | CON SJ050010 (TMP-J01X-V6) | T | |
| J931 | 6510027650 | S.CON AXN480C330P | T | 66.5/53.1 |
| J951 | 6510027660 | S.CON AXN380C038P | T | 66.5/37.8 |
| J1011 | 6510028210 | CON SJ050010 (TMP-J01X-V6) | T | |
| J1141 | 6510028210 | CON SJ050010 (TMP-J01X-V6) | T | |
| J1301 | 6510014961 | S.CON B2B-ZR-SM4-TF(LF)(SN) | T | 123.1/20.5 |
| EP301 | 6910015970 | S.BEA MMZ1608B 301CT-AS | B | 75.8/26.6 |
| EP305 | 6910019900 | S.BEA MPZ1608S601AT | B | 73.4/13.8 |
| EP452 | 6910015970 | S.BEA MMZ1608B 301CT-AS | B | 85.1/27.0 |
| EP453 | 6910015970 | S.BEA MMZ1608B 301CT-AS | B | 85.9/25.4 |
| EP454 | 6910019900 | S.BEA MPZ1608S601AT | B | 63.4/28.1 |
| EP455 | 6910019900 | S.BEA MPZ1608S601AT | B | 65.2/28.9 |
| EP456 | 6910019900 | S.BEA MPZ1608S601AT | T | 61.6/24.0 |
| EP457 | 6910019900 | S.BEA MPZ1608S601AT | B | 77.5/28.0 |
| EP458 | 6910019900 | S.BEA MPZ1608S601AT | B | 85.1/30.2 |
| EP459 | 6910019900 | S.BEA MPZ1608S601AT | B | 84.4/28.6 |
| EP601 | 6910015970 | S.BEA MMZ1608B 301CT-AS | T | 40.4/14.2 |
| EP611 | 6910015970 | S.BEA MMZ1608B 301CT-AS | T | 46.4/53.0 |
| EP861 | 6910012350 | S.BEA MMZ1608Y 102BT | B | 14.8/26.5 |
| EP862 | 6910012350 | S.BEA MMZ1608Y 102BT | B | 6.7/25.9 |
| EP911 | 6910002161 | CAS CASE-BM7H-LF | B | |
| EP912 | 6910015970 | S.BEA MMZ1608B 301CT-AS | B | 66.5/55.7 |
| EP913 | 6910002161 | CAS CASE-BM7H-LF | B | |
| EP931 | 6910015970 | S.BEA MMZ1608B 301CT-AS | B | 59.9/53.4 |
| EP951 | 6910015970 | S.BEA MMZ1608B 301CT-AS | B | 73.8/36.1 |
| EP1121 | 6910017350 | S.BEA MMZ1608S601A-T | B | 100.2/8.9 |

M.=Mounted side (T: Mounted on the Top side, B: Mounted on the Bottom side)
S.=Surface mount

[RF-B UNIT]

| REF NO. | PARTS NO. | DESCRIPTION | M. | H/V LOCATION |
|---------|------------|------------------------|----|--------------|
| IC1 | 1110004310 | S.IC M62352GP 75EC | T | 26.9/5.6 |
| IC71 | 1110006350 | S.IC LM2902PWR | T | 26.8/13.6 |
| IC101 | 1110006190 | S.IC NJM074M-TE1-#ZZZB | B | 130.4/24.7 |
| IC121 | 1110005450 | S.IC TS5221DT | B | 120.3/17.2 |
| IC211 | 1130012900 | S.IC TC74LXC00FT (EL) | T | 143.1/33.3 |
| IC501 | 1110006190 | S.IC NJM074M-TE1-#ZZZB | B | 17.4/24.2 |
| IC521 | 1110005450 | S.IC TS5221DT | B | 19.7/34.6 |
| IC611 | 1130012900 | S.IC TC74LXC00FT (EL) | T | 21.0/46.9 |
| IC1651 | 1110006870 | S.IC UPC2709TB-E3 | T | 117.0/84.9 |
| IC2582 | 1110006990 | S.IC UPC2710TB-E3 | T | 11.7/65.1 |
| IC2651 | 1110006870 | S.IC UPC2709TB-E3 | T | 59.0/94.5 |
| Q31 | 1530003900 | S.TRA KTC4075 BL-RTK/P | T | 53.0/3.3 |
| Q32 | 1540000441 | S.TRA 2SD1619T-TD-E | T | 42.8/7.1 |
| Q33 | 1540000441 | S.TRA 2SD1619T-TD-E | T | 104.3/6.2 |
| Q34 | 1540000471 | S.TRA 2SD1801S-TL-E | B | 111.1/5.3 |
| Q35 | 1540000441 | S.TRA 2SD1619T-TD-E | T | 52.1/7.1 |
| Q36 | 1530003900 | S.TRA KTC4075 BL-RTK/P | T | 43.6/3.3 |
| Q37 | 1530003900 | S.TRA KTC4075 BL-RTK/P | T | 105.4/2.5 |
| Q38 | 1530003900 | S.TRA KTC4075 BL-RTK/P | T | 114.0/3.5 |
| Q41 | 1590003680 | S.TRA KRC402 RTK/P | T | 100.2/4.5 |
| Q42 | 1550000090 | S.FET RSQ035P03TR | T | 100.4/11.3 |
| Q43 | 1550000090 | S.FET RSQ035P03TR | T | 103.1/14.8 |
| Q44 | 1590003770 | S.TRA KRA302E-RTK/P | T | 97.9/3.9 |
| Q45 | 1560001330 | S.FET RSR025N03 | B | 90.7/3.0 |
| Q51 | 1590003680 | S.TRA KRC402 RTK/P | T | 38.9/16.7 |
| Q52 | 1550000090 | S.FET RSQ035P03TR | T | 43.6/19.5 |
| Q53 | 1550000090 | S.FET RSQ035P03TR | T | 47.3/19.5 |
| Q54 | 1590003770 | S.TRA KRA302E-RTK/P | T | 43.5/15.6 |
| Q55 | 1560001330 | S.FET RSR025N03 | B | 37.8/16.2 |
| Q141 | 1530004011 | S.TRA KTC3770U-C-RTK/P | T | 106.9/26.0 |
| Q151 | 1530004011 | S.TRA KTC3770U-C-RTK/P | T | 115.5/26.0 |
| Q201 | 1530003950 | S.TRA KTC4080 Y-RTK/P | T | 142.4/26.1 |
| Q301 | 1530003021 | S.TRA 2SC4402-3-TL-E | T | 100.7/28.7 |
| Q302 | 1530003021 | S.TRA 2SC4402-3-TL-E | T | 97.5/28.7 |
| Q311 | 1530003842 | S.TRA 2SC5501A-4-TR-E | T | 98.5/36.9 |
| Q541 | 1530004011 | S.TRA KTC3770U-C-RTK/P | T | 30.6/33.6 |
| Q551 | 1530004011 | S.TRA KTC3770U-C-RTK/P | T | 30.6/25.5 |
| Q601 | 1530003950 | S.TRA KTC4080 Y-RTK/P | T | 15.2/48.1 |
| Q701 | 1530003021 | S.TRA 2SC4402-3-TL-E | T | 52.1/20.5 |
| Q702 | 1530003021 | S.TRA 2SC4402-3-TL-E | T | 55.8/20.5 |
| Q711 | 1530003842 | S.TRA 2SC5501A-4-TR-E | T | 70.6/25.0 |
| Q1021 | 1530003340 | S.TRA 2SC3357-T1 RF | T | 100.4/55.3 |
| Q1051 | 1560000641 | S.FET 2SK1740-4/5-TB-E | T | 123.0/50.1 |
| Q1052 | 1560000641 | S.FET 2SK1740-4/5-TB-E | B | 123.0/53.4 |
| Q1053 | 1560000641 | S.FET 2SK1740-4/5-TB-E | B | 123.0/50.1 |
| Q1054 | 1560000641 | S.FET 2SK1740-4/5-TB-E | T | 123.0/53.4 |
| Q1055 | 1590003770 | S.TRA KRA302E-RTK/P | T | 140.5/46.7 |
| Q1056 | 1590003680 | S.TRA KRC402 RTK/P | T | 142.5/48.2 |
| Q1101 | 1560000841 | S.FET 2SK1829(TE85RF) | T | 149.1/8.7 |
| Q1102 | 1590003770 | S.TRA KRA302E-RTK/P | T | 148.6/47.5 |
| Q1103 | 1590003770 | S.TRA KRA302E-RTK/P | T | 146.1/47.5 |
| Q1104 | 1590003680 | S.TRA KRC402 RTK/P | T | 146.5/8.7 |
| Q1251 | 1590003980 | S.FET NE3509M04-T2 | T | 143.8/87.3 |
| Q1361 | 1590003770 | S.TRA KRA302E-RTK/P | T | 148.1/12.5 |
| Q1362 | 1560000841 | S.FET 2SK1829(TE85RF) | T | 145.7/12.1 |
| Q1363 | 1590003770 | S.TRA KRA302E-RTK/P | T | 143.4/11.9 |
| Q1364 | 1590003680 | S.TRA KRC402 RTK/P | T | 143.5/8.7 |
| Q1471 | 1530003340 | S.TRA 2SC3357-T1 RF | B | 108.9/60.4 |
| Q1521 | 1580000820 | S.FET 3SK264-5-TG-E | B | 90.0/67.7 |
| Q1551 | 1580000751 | S.FET 3SK294(TE85LF) | T | 109.2/78.3 |
| Q1552 | 1580000751 | S.FET 3SK294(TE85LF) | T | 109.2/70.5 |
| Q1651 | 1590003680 | S.TRA KRC402 RTK/P | T | 72.9/77.1 |
| Q1652 | 1590003770 | S.TRA KRA302E-RTK/P | T | 75.0/78.6 |
| Q2021 | 1530003340 | S.TRA 2SC3357-T1 RF | T | 43.9/52.2 |
| Q2051 | 1530004011 | S.TRA KTC3770U-C-RTK/P | T | 38.9/66.0 |
| Q2052 | 1530004011 | S.TRA KTC3770U-C-RTK/P | T | 38.9/71.1 |
| Q2251 | 1590003980 | S.FET NE3509M04-T2 | T | 44.5/77.7 |
| Q2361 | 1590003770 | S.TRA KRA302E-RTK/P | T | 19.1/80.5 |
| Q2362 | 1560000841 | S.FET 2SK1829(TE85RF) | T | 19.0/77.9 |
| Q2363 | 1590003770 | S.TRA KRA302E-RTK/P | T | 16.9/80.5 |
| Q2364 | 1590003680 | S.TRA KRC402 RTK/P | T | 16.5/77.9 |
| Q2431 | 1590003770 | S.TRA KRA302E-RTK/P | T | 7.8/46.0 |
| Q2432 | 1590003770 | S.TRA KRA302E-RTK/P | T | 9.9/46.1 |
| Q2433 | 1560000841 | S.FET 2SK1829(TE85RF) | T | 9.4/43.8 |
| Q2434 | 1590003680 | S.TRA KRC402 RTK/P | T | 8.0/41.2 |
| Q2471 | 1530003340 | S.TRA 2SC3357-T1 RF | B | 20.9/64.7 |
| Q2521 | 1580000820 | S.FET 3SK264-5-TG-E | B | 65.3/51.3 |
| Q2581 | 1590003770 | S.TRA KRA302E-RTK/P | T | 8.0/51.6 |
| Q2582 | 1590003680 | S.TRA KRC402 RTK/P | T | 8.4/49.2 |
| Q2651 | 1590003680 | S.TRA KRC402 RTK/P | T | 71.5/73.4 |
| Q2652 | 1590003770 | S.TRA KRA302E-RTK/P | T | 73.8/73.9 |
| Q2751 | 1590003680 | S.TRA KRC402 RTK/P | T | 74.9/42.3 |
| Q2752 | 1590003770 | S.TRA KRA302E-RTK/P | T | 72.0/43.8 |
| Q2753 | 1590003680 | S.TRA KRC402 RTK/P | T | 75.3/39.8 |
| Q2801 | 1530003340 | S.TRA 2SC3357-T1 RF | T | 82.0/81.8 |
| D31 | 1750000370 | S.DIO DA221 TL | T | 56.1/9.2 |
| D32 | 1750000370 | S.DIO DA221 TL | T | 46.8/9.2 |
| D33 | 1750000370 | S.DIO DA221 TL | T | 108.1/7.6 |
| D34 | 1750000370 | S.DIO DA221 TL | T | 115.6/5.5 |
| D41 | 1750000520 | S.DIO DAN222TL | T | 98.3/5.9 |
| D51 | 1750000520 | S.DIO DAN222TL | T | 41.3/16.8 |
| D251 | 1750000431 | S.DIO HS888WSTR-E | T | 119.7/33.5 |
| D255 | 1750000431 | S.DIO HS888WSTR-E | T | 123.0/41.5 |
| D321 | 1790001621 | S.DIO 1SV308(TPL3F) | B | 88.1/37.4 |
| D351 | 1790001621 | S.DIO 1SV308(TPL3F) | B | 87.3/39.5 |
| D371 | 1790001621 | S.DIO 1SV308(TPL3F) | B | 85.6/31.0 |
| D651 | 1750000431 | S.DIO HS888WSTR-E | T | 44.8/35.2 |
| D655 | 1750000431 | S.DIO HS888WSTR-E | T | 37.3/32.0 |
| D721 | 1790001621 | S.DIO 1SV308(TPL3F) | B | 61.5/35.4 |
| D751 | 1790001621 | S.DIO 1SV308(TPL3F) | B | 61.5/37.8 |
| D771 | 1790001621 | S.DIO 1SV308(TPL3F) | B | 82.5/33.8 |

[RF-B UNIT]

| REF NO. | PARTS NO. | DESCRIPTION | M. | H/V LOCATION |
|---------|------------|--------------------------------------|----|--------------|
| D1011 | 1790001621 | S.DIO 1SV308(TPL3F) | B | 88.3/60.2 |
| D1081 | 1790001621 | S.DIO 1SV308(TPL3F) | T | 117.0/66.4 |
| D1101 | 1790001621 | S.DIO 1SV308(TPL3F) | B | 141.7/53.8 |
| D1102 | 1790001621 | S.DIO 1SV308(TPL3F) | B | 142.0/70.3 |
| D1111 | 1790001621 | S.DIO 1SV308(TPL3F) | T | 140.9/54.5 |
| D1112 | 1790001621 | S.DIO 1SV308(TPL3F) | B | 139.4/69.5 |
| D1202 | 1720000691 | S.VAR 1SV282(TPH2F) | T | 140.0/74.1 |
| D1203 | 1720000691 | S.VAR 1SV282(TPH2F) | T | 139.8/72.8 |
| D1204 | 1720000691 | S.VAR 1SV282(TPH2F) | T | 140.9/75.7 |
| D1209 | 1720000691 | S.VAR 1SV282(TPH2F) | T | 142.6/79.0 |
| D1210 | 1720000691 | S.VAR 1SV282(TPH2F) | T | 144.2/78.2 |
| D1211 | 1720000691 | S.VAR 1SV282(TPH2F) | T | 145.0/77.2 |
| D1261 | 1730002591 | S.ZEN MAZ8033GHL | B | 145.8/81.9 |
| D1301 | 1750001190 | S.VAR KDV214E RTK/P | T | 136.4/83.7 |
| D1302 | 1750001190 | S.VAR KDV214E RTK/P | T | 136.4/82.4 |
| D1351 | 1790001621 | S.DIO 1SV308(TPL3F) | B | 131.4/89.3 |
| D1352 | 1790001621 | S.DIO 1SV308(TPL3F) | B | 126.0/89.4 |
| D1353 | 1790001621 | S.DIO 1SV308(TPL3F) | B | 128.0/87.7 |
| D1354 | 1790001621 | S.DIO 1SV308(TPL3F) | B | 127.0/85.1 |
| D1511 | 1790001621 | S.DIO 1SV308(TPL3F) | T | 87.0/61.7 |
| D1551 | 1720000651 | S.VAR 1SV286(TPH3F) | T | 113.0/74.4 |
| D1581 | 1790001621 | S.DIO 1SV308(TPL3F) | T | 113.9/67.2 |
| D1611 | 1720000651 | S.VAR 1SV286(TPH3F) | T | 130.8/69.8 |
| D1612 | 1720000651 | S.VAR 1SV286(TPH3F) | T | 130.8/76.3 |
| D1671 | 1720000651 | S.VAR 1SV286(TPH3F) | T | 108.6/86.1 |
| D1672 | 1720000651 | S.VAR 1SV286(TPH3F) | T | 104.4/86.1 |
| D1701 | 1790001621 | S.DIO 1SV308(TPL3F) | T | 96.2/90.1 |
| D1711 | 1790001621 | S.DIO 1SV308(TPL3F) | T | 94.9/98.9 |
| D2011 | 1790001621 | S.DIO 1SV308(TPL3F) | B | 55.6/57.7 |
| D2081 | 1790001621 | S.DIO 1SV308(TPL3F) | T | 34.5/61.9 |
| D2201 | 1720000691 | S.VAR 1SV282(TPH2F) | T | 29.0/83.1 |
| D2202 | 1720000691 | S.VAR 1SV282(TPH2F) | T | 29.0/84.3 |
| D2203 | 1750001190 | S.VAR KDV214E RTK/P | T | 27.4/80.3 |
| D2204 | 1750001190 | S.VAR KDV214E RTK/P | T | 39.8/80.3 |
| D2205 | 1720000691 | S.VAR 1SV282(TPH2F) | T | 38.2/84.3 |
| D2206 | 1720000691 | S.VAR 1SV282(TPH2F) | T | 38.2/83.3 |
| D2261 | 1730002591 | S.ZEN MAZ8033GHL | B | 44.2/72.9 |
| D2301 | 1750001190 | S.VAR KDV214E RTK/P | T | 47.1/84.5 |
| D2302 | 1750001190 | S.VAR KDV214E RTK/P | T | 47.1/85.7 |
| D2351 | 1790001621 | S.DIO 1SV308(TPL3F) | T | 46.3/88.6 |
| D2352 | 1790001621 | S.DIO 1SV308(TPL3F) | T | 36.6/88.0 |
| D2353 | 1790001621 | S.DIO 1SV308(TPL3F) | T | 43.3/87.2 |
| D2354 | 1790001621 | S.DIO 1SV308(TPL3F) | T | 43.3/86.0 |
| D2421 | 1790001621 | S.DIO 1SV308(TPL3F) | T | 32.2/59.3 |
| D2422 | 1790001621 | S.DIO 1SV308(TPL3F) | T | 30.4/59.7 |
| D2511 | 1790001621 | S.DIO 1SV308(TPL3F) | B | 59.5/56.9 |
| D2551 | 1750000431 | S.DIO HS888WSTR-E | T | 62.0/65.9 |
| D2581 | 1790001621 | S.DIO 1SV308(TPL3F) | T | 37.5/61.9 |
| D2582 | 1720000641 | S.VAR 1SV284(TPH3F) | T | 15.8/72.2 |
| D2583 | 1720000641 | S.VAR 1SV284(TPH3F) | T | 14.4/67.8 |
| D2584 | 1720000641 | S.VAR 1SV284(TPH3F) | T | 10.8/56.0 |
| D2585 | 1720000641 | S.VAR 1SV284(TPH3F) | T | 15.0/56.6 |
| D2601 | 1790001621 | S.DIO 1SV308(TPL3F) | T | 59.0/74.8 |
| D2602 | 1790001621 | S.DIO 1SV308(TPL3F) | B | 57.0/81.5 |
| D2611 | 1790001621 | S.DIO 1SV308(TPL3F) | T | 60.1/73.2 |
| D2612 | 1790001621 | S.DIO 1SV308(TPL3F) | B | 61.0/82.3 |
| D2701 | 1790001621 | S.DIO 1SV308(TPL3F) | T | 66.6/93.2 |
| D2702 | 1790001621 | S.DIO 1SV308(TPL3F) | B | 73.3/97.1 |
| D2711 | 1790001621 | S.DIO 1SV308(TPL3F) | T | 67.9/91.2 |
| D2712 | 1790001621 | S.DIO 1SV308(TPL3F) | B | 77.2/96.3 |
| FI331 | 2010001730 | FIL HC-49/U 10.850 MHz (FL-211) | T | |
| FI731 | 2030000810 | S.MON MFT71.2R 71.250 MHz (FL-435) | T | 56.0/45.2 |
| FI2611 | 2040001420 | S.LC LFB32440M0SC1-955 (LFSC25N12B0) | T | 63.9/76.2 |
| FI2612 | 2040001420 | S.LC LFB32440M0SC1-955 (LFSC25N12B0) | T | 63.9/81.7 |
| FI2711 | 2040001420 | S.LC LFB32440M0SC1-955 (LFSC25N12B0) | T | 74.6/93.0 |
| L71 | 6200005011 | S.COI NLV25T-100J | T | 101.3/43.65 |
| L141 | 6200003520 | S.COI ELJFB 102K-F | T | 87.4/61.5 |
| L201 | 6200002041 | S.COI NLV25T-101J | T | 14.1/57.8 |
| L211 | 6200010800 | S.COI C2520C-4R7G-A | T | 139.1/38.2 |
| L221 | 6200005011 | S.COI NLV25T-100J | B | 142.8/26.8 |
| L251 | 6140002810 | S.COI LR-317 | T | 125.9/33.5 |
| L252 | 6140002810 | S.COI LR-317 | T | 113.5/33.5 |
| L253 | 6200010950 | S.COI C2520C-1R5G-A (1.5U) | T | 105.7/33.5 |
| L255 | 6140002810 | S.COI LR-317 | T | 129.2/41.5 |
| L256 | 6140002810 | S.COI LR-317 | T | 116.8/41.5 |
| L257 | 6200010950 | S.COI C2520C-1R5G-A (1.5U) | T | 106.5/40.9 |
| L301 | 6200005521 | S.COI NLV25T-470J | B | 92.6/20.8 |
| L302 | 6150005390 | COI LS-164A | | |
| L311 | 6140003940 | COI LR-493 | | |
| L312 | 6200010740 | S.COI C2520C-R27G-A | T | 92.9/40.1 |
| L313 | 6200010770 | S.COI C2520C-R68G-A | T | 90.9/35.2 |
| L321 | 6200002041 | S.COI NLV25T-101J | B | 91.2/39.1 |
| L331 | 6200002041 | S.COI NLV25T-101J | B | 84.3/42.1 |
| L332 | 6150005540 | COI LS-569 | | |
| L333 | 6150005540 | COI LS-569 | | |
| L351 | 6200002041 | S.COI NLV25T-101J | B | 81.0/40.6 |
| L361 | 6200010680 | S.COI C2520C-R22G | | |

[RF-B UNIT]

| REF NO. | PARTS NO. | DESCRIPTION | M. | H/V LOCATION |
|---------|------------|---------------------------------------|----|--------------|
| L656 | 6140002810 | S.COI LR-317 | T | 37.3/26.0 |
| L701 | 6200005521 | S.COI NLV25T-470J | B | 58.9/23.0 |
| L702 | 6190001621 | COI #E544EN-100028 | | |
| L711 | 6140003930 | COI LR-492 | | |
| L712 | 6200011800 | S.COI C2520C-47NG-A | T | 67.1/30.7 |
| L713 | 6200011410 | S.COI C2520C-82NG-A | T | 63.7/32.1 |
| L721 | 6200005011 | S.COI NLV25T-100J | B | 67.6/33.8 |
| L731 | 6200005011 | S.COI NLV25T-100J | B | 61.7/30.7 |
| L732 | 6200012350 | S.COI C2520C-R62G-A | T | 56.2/36.8 |
| L733 | 6200012350 | S.COI C2520C-R62G-A | T | 53.0/36.8 |
| L734 | 6200012350 | S.COI C2520C-R62G-A | T | 58.3/53.6 |
| L735 | 6200012350 | S.COI C2520C-R62G-A | T | 55.1/53.6 |
| L751 | 6200005011 | S.COI NLV25T-100J | B | 67.6/41.1 |
| L761 | 6200012360 | S.COI C2520C-33NG-A | T | 67.5/36.5 |
| L762 | 6200005190 | S.COI MLF1608D R56K-T | T | 68.5/39.3 |
| L763 | 6200012360 | S.COI C2520C-33NG-A | T | 71.7/36.6 |
| L771 | 6200005011 | S.COI NLV25T-100J | B | 75.9/39.3 |
| L1001 | 6200002041 | S.COI NLV25T-101J | B | 87.2/57.2 |
| L1011 | 6200002041 | S.COI NLV25T-101J | B | 93.1/54.1 |
| L1021 | 6200005011 | S.COI NLV25T-100J | T | 107.1/54.4 |
| L1022 | 6200005011 | S.COI NLV25T-100J | B | 96.3/51.5 |
| L1023 | 6200010950 | S.COI C2520C-1R5G-A (1.5U) | T | 96.3/55.4 |
| L1051 | 6150005530 | COI LS-567 | | |
| L1052 | 6200005011 | S.COI NLV25T-100J | B | 119.6/47.2 |
| L1053 | 6140002810 | S.COI LR-317 | T | 131.0/51.8 |
| L1061 | 6200008080 | S.COI LQW2BHN22J03L | B | 126.1/58.4 |
| L1062 | 6200008080 | S.COI LQW2BHN22J03L | B | 119.3/58.3 |
| L1063 | 6130002961 | S.COI #617DB-1327=P3 | T | 122.0/61.1 |
| L1081 | 6200011650 | S.COI LQW18AN68NG00D | T | 122.5/65.9 |
| L1082 | 6200009290 | S.COI LQW18AN47NG00D (LQW1608A47NG00) | T | 119.4/66.4 |
| L1101 | 6200003281 | S.COI NLV25T-2R2J | B | 141.3/59.4 |
| L1102 | 6200003281 | S.COI NLV25T-2R2J | B | 145.2/51.6 |
| L1103 | 6200003281 | S.COI NLV25T-2R2J | B | 136.6/69.2 |
| L1111 | 6200010730 | S.COI C2520C-68NG-A | T | 136.1/60.5 |
| L1112 | 6200010720 | S.COI C2520C-56NG-A | T | 136.7/65.4 |
| L1113 | 6200011800 | S.COI C2520C-47NG-A | T | 139.6/57.2 |
| L1114 | 6200003281 | S.COI NLV25T-2R2J | T | 139.6/68.1 |
| L1201 | 6200012700 | S.COI 0.50-2.0-6TL 35.0N <COMO> | T | 137.2/75.6 |
| L1202 | 6200012700 | S.COI 0.50-2.0-6TL 35.0N <COMO> | T | 146.0/80.8 |
| L1261 | 6200011680 | S.COI LQW18ANR12G00D | T | 145.8/85.3 |
| L1301 | 6200012580 | S.COI 0.35-1.6-5TL 23.8N <COMO> | T | 138.8/87.2 |
| L1302 | 6200012910 | S.COI 0.35-1.6-8TL 45.5N <COMO> | T | 135.7/86.5 |
| L1351 | 6200003281 | S.COI NLV25T-2R2J | B | 123.4/89.1 |
| L1352 | 6200003281 | S.COI NLV25T-2R2J | T | 130.8/95.1 |
| L1353 | 6200013680 | S.COI 0.40-2.0-9TL 80.0N <COMO> | T | 127.7/92.2 |
| L1354 | 6200013680 | S.COI 0.40-2.0-9TL 80.0N <COMO> | T | 122.9/88.0 |
| L1451 | 6200011650 | S.COI LQW18AN68NG00D | T | 115.1/65.8 |
| L1452 | 6200011650 | S.COI LQW18AN68NG00D | T | 115.1/63.4 |
| L1453 | 6200010910 | S.COI LQW18AN56NG00D | T | 113.2/62.7 |
| L1471 | 6200005011 | S.COI NLV25T-100J | B | 116.1/58.7 |
| L1472 | 6200003281 | S.COI NLV25T-2R2J | B | 113.1/59.7 |
| L1491 | 6200011650 | S.COI LQW18AN68NG00D | T | 103.5/62.0 |
| L1492 | 6200011650 | S.COI LQW18AN68NG00D | T | 103.1/63.9 |
| L1511 | 6200002041 | S.COI NLV25T-101J | T | 90.2/59.0 |
| L1521 | 6200006970 | S.COI MLF1608A 3R9K-T | B | 90.7/63.3 |
| L1522 | 6150005540 | COI LS-569 | | |
| L1525 | 6200002041 | S.COI NLV25T-101J | T | 93.9/65.1 |
| L1551 | 6150005390 | COI LS-164A | | |
| L1553 | 6150005480 | COI LS-556 7K7 | | |
| L1581 | 6200003281 | S.COI NLV25T-2R2J | T | 111.0/65.9 |
| L1611 | 6200012990 | S.COI 0.25-1.9-9TL 84.0N <COMO> | T | 129.8/67.6 |
| L1612 | 6200012990 | S.COI 0.25-1.9-9TL 84.0N <COMO> | T | 130.7/78.9 |
| L1651 | 6200001981 | S.COI NLV25T-1R0J | T | 117.6/88.9 |
| L1671 | 6200012990 | S.COI 0.25-1.9-9TL 84.0N <COMO> | T | 111.0/86.9 |
| L1672 | 6200012990 | S.COI 0.25-1.9-9TL 84.0N <COMO> | T | 102.2/87.1 |
| L1701 | 6200005011 | S.COI NLV25T-100J | B | 96.3/86.0 |
| L1711 | 6200005011 | S.COI NLV25T-100J | B | 96.2/83.4 |
| L1751 | 6200005011 | S.COI NLV25T-100J | B | 91.0/88.5 |
| L2001 | 6200005011 | S.COI NLV25T-100J | B | 52.7/60.3 |
| L2011 | 6200005011 | S.COI NLV25T-100J | B | 49.8/54.3 |
| L2021 | 6200005011 | S.COI NLV25T-100J | T | 39.9/56.5 |
| L2022 | 6200005011 | S.COI NLV25T-100J | B | 46.6/52.7 |
| L2023 | 6200010740 | S.COI C2520C-R27G-A | T | 47.5/48.9 |
| L2051 | 6140002810 | S.COI LR-317 | T | 44.2/68.6 |
| L2052 | 6130002961 | S.COI #617DB-1327=P3 | T | 28.7/68.6 |
| L2081 | 6200002611 | S.COI NLV25T-R47J | B | 32.7/59.4 |
| L2204 | 6200012530 | S.COI 0.40-1.3-2TL 3.7N <COMO> | T | 29.4/80.2 |
| L2205 | 6200012530 | S.COI 0.40-1.3-2TL 3.7N <COMO> | T | 37.8/80.2 |
| L2210 | 6200011650 | S.COI LQW18AN68NG00D | T | 22.9/78.1 |
| L2261 | 6200011580 | S.COI LQW18AN33NG00D | T | 39.4/75.7 |
| L2301 | 6200012850 | S.COI 0.40-0.8-2TL 2.5N <COMO> | T | 46.8/82.8 |
| L2351 | 6200008080 | S.COI LQW2BHN22J03L | T | 48.6/87.8 |
| L2352 | 6200008080 | S.COI LQW2BHN22J03L | B | 44.4/89.9 |
| L2361 | 6200013070 | S.COI 0.40-1.1-6TR 15.6N <COMO> | T | 49.7/92.1 |
| L2362 | 6200012800 | S.COI 0.40-1.5-5TL 20N <COMO> | T | 42.2/94.4 |
| L2401 | 6200002611 | S.COI NLV25T-R47J | B | 37.5/55.8 |
| L2411 | 6200012050 | S.COI LQW18AN24NG00D | T | 36.8/57.0 |
| L2412 | 6200011580 | S.COI LQW18AN33NG00D | T | 34.9/56.5 |
| L2421 | 6200010850 | S.COI LQW18AN22NG00D (LQW1608A22NG00) | T | 33.0/57.6 |
| L2422 | 6200011650 | S.COI LQW18AN68NG00D | T | 30.0/55.9 |
| L2423 | 6200011860 | S.COI LQW18ANR47G00D | T | 30.4/57.7 |
| L2451 | 6200009070 | S.COI LQW18AN18NG00D (LQW1608A18NG00) | T | 28.6/61.3 |
| L2452 | 6200009220 | S.COI LQW18AN15NG00D (LQW1608A15NG00) | T | 23.1/61.8 |
| L2453 | 6200002611 | S.COI NLV25T-R47J | B | 26.9/60.0 |
| L2471 | 6200001981 | S.COI NLV25T-1R0J | B | 24.7/55.1 |
| L2472 | 6200011590 | S.COI LQW18AN39NG00D | T | 22.8/57.0 |
| L2491 | 6200009220 | S.COI LQW18AN15NG00D (LQW1608A15NG00) | T | 18.3/65.9 |
| L2492 | 6200010850 | S.COI LQW18AN22NG00D (LQW1608A22NG00) | T | 18.3/63.3 |
| L2511 | 6200005011 | S.COI NLV25T-100J | T | 64.7/46.8 |

[RF-B UNIT]

| REF NO. | PARTS NO. | DESCRIPTION | M. | H/V LOCATION |
|---------|------------|---------------------------------------|----|--------------|
| L2521 | 6200005180 | S.COI MLF1608D R39K-T | B | 65.5/45.7 |
| L2522 | 6150004280 | COI LS-484B (C-14927) | | |
| L2523 | 6200003281 | S.COI NLV25T-2R2J | B | 73.3/57.7 |
| L2551 | 6200011770 | S.COI LQW18ANR10G00D | T | 72.2/60.3 |
| L2552 | 6200011660 | S.COI LQW18ANR15G00D | T | 74.0/61.0 |
| L2553 | 6140002551 | S.COI #617DB-1919=P3 | T | 55.3/65.9 |
| L2554 | 6140002551 | S.COI #617DB-1919=P3 | T | 68.7/65.9 |
| L2571 | 6200011730 | S.COI LQW18AN10NG00D | T | 40.9/61.9 |
| L2572 | 6200009070 | S.COI LQW18AN18NG00D (LQW1608A18NG00) | T | 42.8/61.1 |
| L2573 | 6200009070 | S.COI LQW18AN18NG00D (LQW1608A18NG00) | T | 45.9/60.4 |
| L2581 | 6200002611 | S.COI NLV25T-R47J | B | 40.5/59.7 |
| L2582 | 6200013550 | S.COI C2012H-12NH | T | 13.5/71.3 |
| L2583 | 6200013550 | S.COI C2012H-12NH | T | 10.9/68.7 |
| L2584 | 6200001981 | S.COI NLV25T-1R0J | T | 11.7/62.3 |
| L2585 | 6200013550 | S.COI C2012H-12NH | T | 9.7/58.2 |
| L2586 | 6200013550 | S.COI C2012H-12NH | T | 16.8/57.0 |
| L2611 | 6200009220 | S.COI LQW18AN15NG00D (LQW1608A15NG00) | T | 70.0/70.7 |
| L2631 | 6140003630 | S.COI LR-404 4KBL | T | 58.3/85.4 |
| L2632 | 6200009220 | S.COI LQW18AN15NG00D (LQW1608A15NG00) | T | 53.6/89.9 |
| L2651 | 6200002611 | S.COI NLV25T-R47J | B | 62.7/89.9 |
| L2652 | 6200011670 | S.COI LQW18AN82NG00D | T | 61.0/94.3 |
| L2681 | 6200010700 | S.COI LQW18AN12NG00D | T | 63.3/95.1 |
| L2705 | 6140003630 | S.COI LR-404 4KBL | T | 83.2/92.6 |
| L2801 | 6200009220 | S.COI LQW18AN15NG00D (LQW1608A15NG00) | T | 85.7/84.8 |
| L2802 | 6200002611 | S.COI NLV25T-R47J | B | 87.9/92.6 |
| L2831 | 6200010700 | S.COI LQW18AN12NG00D | T | 92.3/83.8 |
| R1 | 7030003440 | S.RES ERJ3GEYJ 102 V (1K) | T | 34.6/10.3 |
| R2 | 7030003440 | S.RES ERJ3GEYJ 102 V (1K) | T | 34.6/14.8 |
| R3 | 7030003440 | S.RES ERJ3GEYJ 102 V (1K) | T | 20.8/14.7 |
| R4 | 7030003440 | S.RES ERJ3GEYJ 102 V (1K) | T | 20.7/11.2 |
| R5 | 7030003360 | S.RES ERJ3GEYJ 221 V (220) | T | 19.5/6.6 |
| R6 | 7030003360 | S.RES ERJ3GEYJ 221 V (220) | T | 21.1/4.9 |
| R7 | 7030003360 | S.RES ERJ3GEYJ 221 V (220) | T | 72.8/10.7 |
| R8 | 7030003360 | S.RES ERJ3GEYJ 221 V (220) | T | 74.1/10.0 |
| R9 | 7030003360 | S.RES ERJ3GEYJ 221 V (220) | T | 75.4/10.0 |
| R10 | 7030003360 | S.RES ERJ3GEYJ 221 V (220) | T | 76.7/10.0 |
| R11 | 7030003360 | S.RES ERJ3GEYJ 221 V (220) | T | 33.1/4.4 |
| R12 | 7030003360 | S.RES ERJ3GEYJ 221 V (220) | T | 33.1/5.7 |
| R13 | 7030003860 | S.RES ERJ3GE JPW V | T | 65.0/10.0 |
| R14 | 7030003360 | S.RES ERJ3GEYJ 221 V (220) | T | 63.7/10.0 |
| R15 | 7030003360 | S.RES ERJ3GEYJ 221 V (220) | T | 67.6/10.0 |
| R16 | 7030003360 | S.RES ERJ3GEYJ 221 V (220) | T | 68.9/10.0 |
| R17 | 7030003360 | S.RES ERJ3GEYJ 221 V (220) | T | 70.2/10.0 |
| R18 | 7030003360 | S.RES ERJ3GEYJ 221 V (220) | T | 71.5/10.0 |
| R19 | 7030003360 | S.RES ERJ3GEYJ 221 V (220) | T | 66.3/10.0 |
| R21 | 7030003360 | S.RES ERJ3GEYJ 221 V (220) | T | 82.4/10.0 |
| R22 | 7030003360 | S.RES ERJ3GEYJ 221 V (220) | T | 81.1/10.0 |
| R23 | 7030003360 | S.RES ERJ3GEYJ 221 V (220) | T | 79.8/10.0 |
| R24 | 7030003360 | S.RES ERJ3GEYJ 221 V (220) | T | 78.5/10.0 |
| R25 | 7030003360 | S.RES ERJ3GEYJ 221 V (220) | T | 83.7/10.0 |
| R26 | 7030003360 | S.RES ERJ3GEYJ 221 V (220) | T | 85.0/9.8 |
| R30 | 7030003500 | S.RES ERJ3GEYJ 332 V (3.3K) | T | 56.3/5.9 |
| R31 | 7030003560 | S.RES ERJ3GEYJ 103 V (10K) | T | 50.0/4.0 |
| R32 | 7030003500 | S.RES ERJ3GEYJ 332 V (3.3K) | T | 56.3/7.1 |
| R33 | 7030003500 | S.RES ERJ3GEYJ 332 V (3.3K) | T | 46.9/7.1 |
| R34 | 7030003500 | S.RES ERJ3GEYJ 332 V (3.3K) | T | 108.2/5.2 |
| R35 | 7030003500 | S.RES ERJ3GEYJ 332 V (3.3K) | T | 111.6/6.2 |
| R36 | 7030011030 | S.RES ERJ1TYJ 270U (27) | T | 54.8/12.4 |
| R37 | 7030011220 | S.RES ERJ1TY 180U (18) | T | 45.4/12.1 |
| R38 | 7030011030 | S.RES ERJ1TYJ 270U (27) | T | 106.9/10.6 |
| R39 | 7030010910 | S.RES ERJ1TYJ 150U (15) | T | 116.1/10.8 |
| R40 | 7030003560 | S.RES ERJ3GEYJ 103 V (10K) | T | 40.9/4.0 |
| R41 | 7030003560 | S.RES ERJ3GEYJ 103 V (10K) | T | 102.6/3.1 |
| R42 | 7030003560 | S.RES ERJ3GEYJ 103 V (10K) | T | 111.5/3.2 |
| R43 | 7030003500 | S.RES ERJ3GEYJ 332 V (3.3K) | T | 56.3/4.7 |
| R44 | 7030003500 | S.RES ERJ3GEYJ 332 V (3.3K) | T | 46.9/4.7 |
| R45 | 7030003500 | S.RES ERJ3GEYJ 332 V (3.3K) | T | 46.9/5.9 |
| R46 | 7030003500 | S.RES ERJ3GEYJ 332 V (3.3K) | T | 108.2/2.8 |
| R47 | 7030003500 | S.RES ERJ3GEYJ 332 V (3.3K) | T | 108.2/4.0 |
| R48 | 7030003500 | S.RES ERJ3GEYJ 332 V (3.3K) | T | 114.0/6.2 |
| R49 | 7030003500 | S.RES ERJ3GEYJ 332 V (3.3K) | T | 112.8/6.2 |
| R51 | 7030003360 | S.RES ERJ3GEYJ 221 V (220) | B | 20.2/92.3 |
| R52 | 7030003360 | S.RES ERJ3GEYJ 221 V (220) | B | 19.2/88.4 |
| R53 | 7030003360 | S.RES ERJ3GEYJ 221 V (220) | B | 22.2/92.3 |
| R54 | 7030003360 | S.RES ERJ3GEYJ 221 V (220) | B | 24.2/92.3 |
| R55 | 7030003360 | S.RES ERJ3GEYJ 221 V (220) | B | 23.2/88.4 |
| R56 | 7030003360 | S.RES ERJ3GEYJ 221 V (220) | B | 25.2/88.4 |
| R57 | 7030003360 | S.RES ERJ3GEYJ 221 V (220) | B | 28.2/92.3 |
| R58 | 7030003360 | S.RES ERJ3GEYJ 221 V (220) | B | 27.2/88.4 |
| R59 | 7030003360 | S.RES ERJ3GEYJ 221 V (220) | B | 30.2/92.3 |
| R60 | 7030003360 | S.RES ERJ | | |

[RF-B UNIT]

| REF NO. | PARTS NO. | DESCRIPTION | M. | H/V LOCATION |
|---------|------------|-----------------------------|----|--------------|
| R89 | 7030003680 | S.RES ERJ3GEYJ 104 V (100K) | T | 44.0/17.2 |
| R90 | 7030003640 | S.RES ERJ3GEYJ 473 V (47K) | B | 44.1/17.2 |
| R91 | 7030003680 | S.RES ERJ3GEYJ 104 V (100K) | T | 47.7/17.2 |
| R92 | 7030003760 | S.RES ERJ3GEYJ 474 V (470K) | B | 43.4/15.4 |
| R93 | 7030003680 | S.RES ERJ3GEYJ 104 V (100K) | B | 40.6/16.4 |
| R101 | 7030005321 | S.RES ERA3YED 103V (10K) | T | 130.8/25.8 |
| R102 | 7030005321 | S.RES ERA3YED 103V (10K) | B | 135.4/28.6 |
| R103 | 7030006571 | S.RES ERA3YED 392V (3.9K) | B | 137.9/27.8 |
| R104 | 7030006571 | S.RES ERA3YED 392V (3.9K) | T | 133.0/27.1 |
| R105 | 7030005321 | S.RES ERA3YED 103V (10K) | B | 125.3/22.2 |
| R106 | 7030005321 | S.RES ERA3YED 103V (10K) | T | 128.2/25.6 |
| R107 | 7030005321 | S.RES ERA3YED 103V (10K) | B | 128.7/18.7 |
| R109 | 7030003860 | S.RES ERJ3GE JPW V | B | 135.5/21.2 |
| R110 | 7030009691 | S.RES ERA3YED 101V (100) | T | 133.8/25.2 |
| R111 | 7030005321 | S.RES ERA3YED 103V (10K) | B | 124.9/27.3 |
| R112 | 7030005321 | S.RES ERA3YED 103V (10K) | T | 128.2/28.3 |
| R113 | 7030005321 | S.RES ERA3YED 103V (10K) | B | 125.8/29.7 |
| R115 | 7030003320 | S.RES ERJ3GEYJ 101 V (100) | T | 122.5/13.3 |
| R116 | 7030003320 | S.RES ERJ3GEYJ 101 V (100) | T | 127.0/13.4 |
| R121 | 7030007230 | S.RES ERA3YED 102V (1K) | B | 111.8/21.2 |
| R122 | 7030007230 | S.RES ERA3YED 102V (1K) | B | 113.4/21.2 |
| R123 | 7030007230 | S.RES ERA3YED 102V (1K) | B | 112.6/18.8 |
| R124 | 7030010560 | S.RES ERA3YED 302V (3K) | B | 115.0/19.5 |
| R126 | 7030009891 | S.RES ERA3YED 151V (150) | B | 113.2/16.3 |
| R127 | 7030003320 | S.RES ERJ3GEYJ 101 V (100) | B | 122.7/13.6 |
| R128 | 7030003320 | S.RES ERJ3GEYJ 101 V (100) | T | 111.1/22.9 |
| R131 | 7030007230 | S.RES ERA3YED 102V (1K) | B | 121.6/22.5 |
| R132 | 7030007230 | S.RES ERA3YED 102V (1K) | B | 123.9/21.4 |
| R133 | 7030007230 | S.RES ERA3YED 102V (1K) | B | 126.2/13.8 |
| R134 | 7030006601 | S.RES ERA3YED 272V (2.7K) | B | 125.6/18.3 |
| R135 | 7310004590 | S.TRI EVM-2WSX80 B13 (102) | T | 124.9/12.9 |
| R141 | 7030003240 | S.RES ERJ3GEYJ 220 V (22) | T | 111.0/28.5 |
| R142 | 7030010980 | S.RES ERA3YHD 470V (47) | B | 111.0/28.2 |
| R143 | 7030003320 | S.RES ERJ3GEYJ 101 V (100) | B | 104.9/26.3 |
| R144 | 7030011050 | S.RES ERA3YHD 100V (10) | T | 106.6/23.8 |
| R145 | 7030003540 | S.RES ERJ3GEYJ 682 V (6.8K) | B | 107.3/24.3 |
| R146 | 7030003460 | S.RES ERJ3GEYJ 152 V (1.5K) | B | 117.5/26.9 |
| R147 | 7030003420 | S.RES ERJ3GEYJ 681 V (680) | B | 107.4/21.9 |
| R151 | 7030003240 | S.RES ERJ3GEYJ 220 V (22) | T | 119.1/28.7 |
| R152 | 7030010980 | S.RES ERA3YHD 470V (47) | B | 120.3/27.1 |
| R153 | 7030003320 | S.RES ERJ3GEYJ 101 V (100) | B | 114.4/26.7 |
| R154 | 7030011050 | S.RES ERA3YHD 100V (10) | T | 114.5/23.8 |
| R155 | 7030003420 | S.RES ERJ3GEYJ 681 V (680) | B | 114.0/24.7 |
| R201 | 7030003630 | S.RES ERJ3GEYJ 393 V (39K) | T | 140.5/26.1 |
| R202 | 7030003400 | S.RES ERJ3GEYJ 471 V (470) | T | 145.1/27.3 |
| R203 | 7030003280 | S.RES ERJ3GEYJ 470 V (47) | T | 145.0/24.9 |
| R211 | 7030003680 | S.RES ERJ3GEYJ 104 V (100K) | T | 139.7/30.3 |
| R212 | 7030003320 | S.RES ERJ3GEYJ 101 V (100) | T | 138.4/31.8 |
| R213 | 7030003320 | S.RES ERJ3GEYJ 101 V (100) | T | 138.4/34.6 |
| R214 | 7030003320 | S.RES ERJ3GEYJ 101 V (100) | T | 140.0/28.2 |
| R215 | 7030003480 | S.RES ERJ3GEYJ 222 V (2.2K) | B | 148.9/20.7 |
| R251 | 7030003320 | S.RES ERJ3GEYJ 101 V (100) | B | 143.1/33.8 |
| R253 | 7030003860 | S.RES ERJ3GE JPW V | B | 112.2/32.6 |
| R255 | 7030003320 | S.RES ERJ3GEYJ 101 V (100) | B | 141.8/36.6 |
| R257 | 7030003860 | S.RES ERJ3GE JPW V | B | 115.4/40.5 |
| R301 | 7030003320 | S.RES ERJ3GEYJ 101 V (100) | T | 92.0/21.9 |
| R302 | 7030003560 | S.RES ERJ3GEYJ 103 V (10K) | B | 100.6/25.8 |
| R303 | 7030003550 | S.RES ERJ3GEYJ 822 V (8.2K) | T | 92.4/30.1 |
| R304 | 7030003680 | S.RES ERJ3GEYJ 104 V (100K) | T | 92.4/27.5 |
| R305 | 7030003200 | S.RES ERJ3GEYJ 100 V (10) | T | 101.5/26.5 |
| R306 | 7030003680 | S.RES ERJ3GEYJ 104 V (100K) | T | 94.2/30.1 |
| R307 | 7030003280 | S.RES ERJ3GEYJ 470 V (47) | B | 98.1/26.5 |
| R308 | 7030003200 | S.RES ERJ3GEYJ 100 V (10) | T | 98.2/26.5 |
| R309 | 7030003520 | S.RES ERJ3GEYJ 472 V (4.7K) | T | 95.4/30.1 |
| R310 | 7030003200 | S.RES ERJ3GEYJ 100 V (10) | B | 101.0/35.5 |
| R311 | 7030003300 | S.RES ERJ3GEYJ 680 V (68) | B | 101.4/37.6 |
| R313 | 7030003550 | S.RES ERJ3GEYJ 822 V (8.2K) | T | 95.0/35.0 |
| R314 | 7030003520 | S.RES ERJ3GEYJ 472 V (4.7K) | T | 96.8/34.3 |
| R315 | 7030003400 | S.RES ERJ3GEYJ 471 V (470) | T | 98.0/34.3 |
| R316 | 7030003340 | S.RES ERJ3GEYJ 151 V (150) | T | 97.6/32.5 |
| R317 | 7030003440 | S.RES ERJ3GEYJ 102 V (1K) | T | 99.3/34.3 |
| R318 | 7030003200 | S.RES ERJ3GEYJ 100 V (10) | B | 93.9/39.6 |
| R321 | 7030003320 | S.RES ERJ3GEYJ 101 V (100) | B | 90.4/36.3 |
| R331 | 7030003410 | S.RES ERJ3GEYJ 561 V (560) | B | 87.1/42.1 |
| R351 | 7030003320 | S.RES ERJ3GEYJ 101 V (100) | B | 84.2/39.5 |
| R360 | 7030003370 | S.RES ERJ3GEYJ 271 V (270) | T | 81.6/38.4 |
| R361 | 7030003230 | S.RES ERJ3GEYJ 180 V (18) | T | 82.9/36.9 |
| R362 | 7030003370 | S.RES ERJ3GEYJ 271 V (270) | T | 83.5/39.2 |
| R371 | 7030003320 | S.RES ERJ3GEYJ 101 V (100) | B | 90.2/29.9 |
| R381 | 7030003410 | S.RES ERJ3GEYJ 561 V (560) | B | 82.6/32.1 |
| R501 | 7030005321 | S.RES ERA3YED 103V (10K) | B | 11.5/23.7 |
| R502 | 7030005321 | S.RES ERA3YED 103V (10K) | B | 23.3/23.8 |
| R503 | 7030006571 | S.RES ERA3YED 392V (3.9K) | B | 23.3/20.7 |
| R504 | 7030006571 | S.RES ERA3YED 392V (3.9K) | B | 20.7/18.9 |
| R505 | 7030005321 | S.RES ERA3YED 103V (10K) | B | 11.5/30.2 |
| R506 | 7030005321 | S.RES ERA3YED 103V (10K) | B | 9.1/30.2 |
| R507 | 7030005321 | S.RES ERA3YED 103V (10K) | B | 11.5/26.8 |
| R509 | 7030003860 | S.RES ERJ3GE JPW V | B | 14.5/18.9 |
| R510 | 7030009691 | S.RES ERA3YED 101V (100) | B | 20.0/17.1 |
| R511 | 7030005321 | S.RES ERA3YED 103V (10K) | B | 21.4/30.2 |
| R512 | 7030005321 | S.RES ERA3YED 103V (10K) | B | 23.0/30.2 |
| R513 | 7030005321 | S.RES ERA3YED 103V (10K) | B | 23.3/26.9 |
| R515 | 7030003320 | S.RES ERJ3GEYJ 101 V (100) | T | 21.0/20.3 |
| R516 | 7030003320 | S.RES ERJ3GEYJ 101 V (100) | T | 18.2/24.3 |
| R521 | 7030007230 | S.RES ERA3YED 102V (1K) | B | 26.6/41.0 |
| R522 | 7030007230 | S.RES ERA3YED 102V (1K) | B | 23.5/41.0 |
| R523 | 7030007230 | S.RES ERA3YED 102V (1K) | B | 12.8/35.5 |
| R524 | 7030010560 | S.RES ERA3YED 302V (3K) | B | 9.8/34.0 |
| R526 | 7030009891 | S.RES ERA3YED 151V (150) | B | 12.0/33.3 |
| R527 | 7030003320 | S.RES ERJ3GEYJ 101 V (100) | T | 21.0/29.8 |
| R528 | 7030003320 | S.RES ERJ3GEYJ 101 V (100) | T | 19.2/37.5 |
| R531 | 7030007230 | S.RES ERA3YED 102V (1K) | B | 26.6/39.4 |
| R532 | 7030007230 | S.RES ERA3YED 102V (1K) | B | 23.5/39.4 |
| R533 | 7030007230 | S.RES ERA3YED 102V (1K) | B | 26.6/33.9 |
| R534 | 7030006601 | S.RES ERA3YED 272V (2.7K) | B | 25.0/37.0 |

[RF-B UNIT]

| REF NO. | PARTS NO. | DESCRIPTION | M. | H/V LOCATION |
|---------|------------|-----------------------------|----|--------------|
| R535 | 7310004590 | S.TRI EVM-2WSX80 B13 (102) | T | 24.7/39.3 |
| R541 | 7030003240 | S.RES ERJ3GEYJ 220 V (22) | B | 42.1/29.4 |
| R542 | 7030010980 | S.RES ERA3YHD 470V (47) | B | 42.1/27.8 |
| R543 | 7030003320 | S.RES ERJ3GEYJ 101 V (100) | T | 32.3/36.3 |
| R544 | 7030011050 | S.RES ERA3YHD 100V (10) | T | 29.7/36.3 |
| R545 | 7030003540 | S.RES ERJ3GEYJ 682 V (6.8K) | B | 30.3/20.2 |
| R546 | 7030003460 | S.RES ERJ3GEYJ 152 V (1.5K) | B | 30.9/22.6 |
| R547 | 7030003420 | S.RES ERJ3GEYJ 681 V (680) | T | 28.4/36.3 |
| R551 | 7030003240 | S.RES ERJ3GEYJ 220 V (22) | B | 35.0/28.0 |
| R552 | 7030010980 | S.RES ERA3YHD 470V (47) | B | 35.0/26.3 |
| R553 | 7030003320 | S.RES ERJ3GEYJ 101 V (100) | T | 32.3/28.2 |
| R554 | 7030011050 | S.RES ERA3YHD 100V (10) | T | 29.7/28.2 |
| R555 | 7030003420 | S.RES ERJ3GEYJ 681 V (680) | T | 28.4/28.2 |
| R601 | 7030003630 | S.RES ERJ3GEYJ 393 V (39K) | T | 13.3/47.9 |
| R602 | 7030003400 | S.RES ERJ3GEYJ 471 V (470) | T | 15.1/50.3 |
| R603 | 7030003280 | S.RES ERJ3GEYJ 470 V (47) | T | 15.8/45.1 |
| R611 | 7030003680 | S.RES ERJ3GEYJ 104 V (100K) | T | 18.1/50.3 |
| R612 | 7030003320 | S.RES ERJ3GEYJ 101 V (100) | T | 19.6/51.6 |
| R613 | 7030003320 | S.RES ERJ3GEYJ 101 V (100) | T | 22.4/51.6 |
| R615 | 7030003480 | S.RES ERJ3GEYJ 222 V (2.2K) | B | 8.7/45.5 |
| R651 | 7030003320 | S.RES ERJ3GEYJ 101 V (100) | B | 24.8/44.7 |
| R652 | 7030003350 | S.RES ERJ3GEYJ 181 V (180) | B | 46.2/30.3 |
| R653 | 7030003260 | S.RES ERJ3GEYJ 330 V (33) | B | 46.2/27.9 |
| R654 | 7030003350 | S.RES ERJ3GEYJ 181 V (180) | B | 48.8/30.2 |
| R655 | 7030003320 | S.RES ERJ3GEYJ 101 V (100) | B | 25.6/46.4 |
| R656 | 7030003350 | S.RES ERJ3GEYJ 181 V (180) | B | 37.6/25.2 |
| R657 | 7030003260 | S.RES ERJ3GEYJ 330 V (33) | B | 40.0/23.7 |
| R658 | 7030003350 | S.RES ERJ3GEYJ 181 V (180) | B | 42.2/24.4 |
| R701 | 7030003320 | S.RES ERJ3GEYJ 101 V (100) | B | 60.7/19.8 |
| R702 | 7030003280 | S.RES ERJ3GEYJ 470 V (47) | B | 54.2/28.1 |
| R703 | 7030003550 | S.RES ERJ3GEYJ 822 V (8.2K) | T | 54.4/17.8 |
| R704 | 7030003680 | S.RES ERJ3GEYJ 104 V (100K) | T | 51.8/17.8 |
| R705 | 7030003200 | S.RES ERJ3GEYJ 100 V (10) | B | 52.2/22.1 |
| R706 | 7030003200 | S.RES ERJ3GEYJ 100 V (10) | B | 55.8/24.0 |
| R707 | 7030003680 | S.RES ERJ3GEYJ 104 V (100K) | T | 54.4/16.2 |
| R708 | 7030003520 | S.RES ERJ3GEYJ 472 V (4.7K) | T | 57.0/16.2 |
| R709 | 7030003200 | S.RES ERJ3GEYJ 100 V (10) | T | 64.1/20.2 |
| R711 | 7030003300 | S.RES ERJ3GEYJ 680 V (68) | B | 65.6/23.9 |
| R712 | 7030003200 | S.RES ERJ3GEYJ 100 V (10) | B | 69.7/23.5 |
| R713 | 7030003550 | S.RES ERJ3GEYJ 822 V (8.2K) | B | 75.1/28.9 |
| R714 | 7030003520 | S.RES ERJ3GEYJ 472 V (4.7K) | B | 74.4/27.4 |
| R715 | 7030003400 | S.RES ERJ3GEYJ 471 V (470) | B | 71.5/26.5 |
| R716 | 7030003340 | S.RES ERJ3GEYJ 151 V (150) | B | 72.9/24.1 |
| R717 | 7030003440 | S.RES ERJ3GEYJ 102 V (1K) | T | 70.5/27.2 |
| R721 | 7030003320 | S.RES ERJ3GEYJ 101 V (100) | B | 64.1/33.8 |
| R731 | 7030003410 | S.RES ERJ3GEYJ 561 V (560) | B | 60.7/33.3 |
| R751 | 7030003320 | S.RES ERJ3GEYJ 101 V (100) | B | 65.3/38.5 |
| R771 | 7030003320 | S.RES ERJ3GEYJ 101 V (100) | B | 78.7/38.5 |
| R1001 | 7030003400 | S.RES ERJ3GEYJ 471 V (470) | B | 86.2/59.6 |
| R1011 | 7030003320 | S.RES ERJ3GEYJ 101 V (100) | B | 93.1/58.9 |
| R1012 | 7030003200 | S.RES ERJ3GEYJ 100 V (10) | B | 91.1/59.7 |
| R1013 | 7030003200 | S.RES ERJ3GEYJ 100 V (10) | B | 93.9/60.7 |
| R1021 | 7030003280 | S.RES ERJ3GEYJ 470 V (47) | T | 109.3/56.3 |
| R1022 | 7030003250 | S.RES ERJ3GEYJ 270 V (27) | T | 104.7/55.6 |
| R1023 | 7030003200 | S.RES ERJ3GEYJ 100 V (10) | T | 103.5/55.8 |
| R1024 | 7030003480 | S.RES ERJ3GEYJ 222 V (2.2K) | T | 98.1/51.1 |
| R1025 | 7030003420 | S.RES ERJ3GEYJ 681 V (680) | T | 101.7/51.1 |
| R1026 | 7030003400 | S.RES ERJ3GEYJ 471 V (470) | T | 92.8/56.2 |
| R1051 | 7030000010 | S.RES MCR10EZJH JPW (000) | B | 141.4/48.4 |
| R1053 | 7030003400 | S.RES ERJ3GEYJ 471 V (470) | T | 125.8/50.6 |
| R1054 | 7030003400 | S.RES ERJ3GEYJ 471 V (470) | B | 126.4/54.4 |
| R1055 | 7030003400 | S.RES ERJ3GEYJ 471 V (470) | B | 126.5/50.6 |
| R1056 | 7030003400 | S.RES ERJ3GEYJ 471 V (470) | T | 125.8/55.0 |
| R1061 | 7030003320 | S.RES ERJ3GEYJ 101 V (100) | B | 125.7/56.0 |
| R1062 | 7030003320 | S.RES ERJ3GEYJ 101 V (100) | B | 119.6/56.3 |
| R1081 | 7030003520 | S.RES ERJ3GEYJ 472 V (4.7K) | B | 121.6/63.3 |
| R1101 | 7030003350 | S.RES ERJ3GEYJ 181 V (180) | B | 142.0/61.6 |
| R1104 | 7030003520 | S.RES ERJ3GEYJ 472 V (4.7K) | B | 141.6/57.2 |
| R1105 | 7030003350 | S.RES ERJ3GEYJ 181 V (180) | B | 141.7/51.6 |
| R1106 | 7030003350 | S.RES ERJ3GEYJ 181 V (180) | B | 138.7/71.5 |
| R1107 | 7030003350 | S.RES ERJ3GEYJ 181 V (180) | B | 142.0/63.4 |
| R1111 | 7030003350 | S.RES ERJ3GEYJ 181 V (180) | B | 137.3/55.6 |
| R1112 | 7030003350 | S.RES ERJ3GEYJ 181 V (180) | T | 140.4/65.1 |
| R1113 | 7030003250 | S.RES ERJ3GEYJ 472 V (4.7K) | B | 137.3/57.2 |

[RF-B UNIT]

| REF NO. | PARTS NO. | DESCRIPTION | M. | H/V LOCATION |
|---------|------------|-----------------------------|----|--------------|
| R1526 | 7030003320 | S.RES ERJ3GEYJ 101 V (100) | B | 92.4/66.0 |
| R1527 | 7030003470 | S.RES ERJ3GEYJ 182 V (1.8K) | B | 91.7/70.4 |
| R1528 | 7510001561 | S.THE NTCG16 4BH 102JT | B | 88.2/65.2 |
| R1551 | 7030003600 | S.RES ERJ3GEYJ 223 V (22K) | B | 100.5/81.0 |
| R1552 | 7030003560 | S.RES ERJ3GEYJ 103 V (10K) | B | 101.1/74.4 |
| R1553 | 7030003560 | S.RES ERJ3GEYJ 103 V (10K) | T | 106.0/74.4 |
| R1554 | 7310004560 | S.TRI EVM-2WSX80 BE2 (221) | T | 108.7/74.4 |
| R1556 | 7030003680 | S.RES ERJ3GEYJ 104 V (100K) | T | 111.8/77.2 |
| R1557 | 7030003680 | S.RES ERJ3GEYJ 104 V (100K) | T | 111.8/74.4 |
| R1558 | 7030003240 | S.RES ERJ3GEYJ 220 V (22) | B | 112.7/72.4 |
| R1561 | 7030003370 | S.RES ERJ3GEYJ 271 V (270) | B | 102.4/68.6 |
| R1562 | 7030003230 | S.RES ERJ3GEYJ 180 V (18) | B | 105.2/68.6 |
| R1563 | 7030003370 | S.RES ERJ3GEYJ 271 V (270) | B | 103.9/70.2 |
| R1564 | 7030003590 | S.RES ERJ3GEYJ 183 V (18K) | B | 110.3/69.4 |
| R1565 | 7030003540 | S.RES ERJ3GEYJ 682 V (6.8K) | B | 108.7/69.4 |
| R1566 | 7030003270 | S.RES ERJ3GEYJ 390 V (39) | B | 125.9/69.6 |
| R1567 | 7030003340 | S.RES ERJ3GEYJ 151 V (150) | B | 123.5/68.8 |
| R1568 | 7030003340 | S.RES ERJ3GEYJ 151 V (150) | B | 126.6/67.5 |
| R1581 | 7030003520 | S.RES ERJ3GEYJ 472 V (4.7K) | T | 107.2/65.2 |
| R1611 | 7030003680 | S.RES ERJ3GEYJ 104 V (100K) | B | 131.8/70.0 |
| R1612 | 7030003680 | S.RES ERJ3GEYJ 104 V (100K) | B | 131.8/76.0 |
| R1613 | 7030003860 | S.RES ERJ3GE JPW V | B | 135.2/74.8 |
| R1631 | 7030003340 | S.RES ERJ3GEYJ 151 V (150) | B | 124.8/80.2 |
| R1632 | 7030003270 | S.RES ERJ3GEYJ 390 V (39) | B | 124.0/82.8 |
| R1633 | 7030003340 | S.RES ERJ3GEYJ 151 V (150) | B | 121.5/80.2 |
| R1661 | 7030003370 | S.RES ERJ3GEYJ 271 V (270) | T | 114.6/87.8 |
| R1662 | 7030003230 | S.RES ERJ3GEYJ 180 V (18) | T | 114.6/90.2 |
| R1663 | 7030003370 | S.RES ERJ3GEYJ 271 V (270) | T | 113.5/89.0 |
| R1671 | 7030003680 | S.RES ERJ3GEYJ 104 V (100K) | T | 107.2/86.1 |
| R1672 | 7030003680 | S.RES ERJ3GEYJ 104 V (100K) | T | 105.8/86.1 |
| R1673 | 7030003370 | S.RES ERJ3GEYJ 271 V (270) | T | 101.5/94.2 |
| R1674 | 7030003230 | S.RES ERJ3GEYJ 180 V (18) | T | 99.7/93.6 |
| R1675 | 7030003370 | S.RES ERJ3GEYJ 271 V (270) | T | 97.7/94.2 |
| R1701 | 7030003320 | S.RES ERJ3GEYJ 101 V (100) | B | 2.7/39.0 |
| R1711 | 7030003320 | S.RES ERJ3GEYJ 101 V (100) | T | 96.2/86.4 |
| R1751 | 7030003410 | S.RES ERJ3GEYJ 561 V (560) | B | 93.2/88.2 |
| R2001 | 7030003410 | S.RES ERJ3GEYJ 561 V (560) | B | 55.6/59.3 |
| R2011 | 7030003320 | S.RES ERJ3GEYJ 101 V (100) | B | 50.8/57.5 |
| R2021 | 7030003230 | S.RES ERJ3GEYJ 180 V (18) | T | 49.8/55.2 |
| R2022 | 7030003250 | S.RES ERJ3GEYJ 270 V (27) | T | 42.3/56.2 |
| R2023 | 7030003200 | S.RES ERJ3GEYJ 100 V (10) | T | 40.7/53.9 |
| R2024 | 7030003480 | S.RES ERJ3GEYJ 222 V (2.2K) | T | 47.8/54.8 |
| R2025 | 7030003420 | S.RES ERJ3GEYJ 681 V (680) | T | 47.1/56.6 |
| R2026 | 7030003400 | S.RES ERJ3GEYJ 471 V (470) | T | 47.8/52.4 |
| R2027 | 7030003860 | S.RES ERJ3GE JPW V | B | 47.0/63.2 |
| R2028 | 7030003370 | S.RES ERJ3GEYJ 271 V (270) | T | 50.6/53.4 |
| R2029 | 7030003370 | S.RES ERJ3GEYJ 271 V (270) | T | 51.0/55.2 |
| R2051 | 7030003600 | S.RES ERJ3GEYJ 223 V (22K) | B | 36.1/67.0 |
| R2052 | 7030003380 | S.RES ERJ3GEYJ 331 V (330) | T | 35.4/66.7 |
| R2053 | 7030003380 | S.RES ERJ3GEYJ 331 V (330) | T | 35.4/70.4 |
| R2054 | 7030003320 | S.RES ERJ3GEYJ 101 V (100) | B | 40.2/67.0 |
| R2055 | 7030003440 | S.RES ERJ3GEYJ 102 V (1K) | T | 34.1/66.7 |
| R2056 | 7030003200 | S.RES ERJ3GEYJ 100 V (10) | T | 38.7/67.9 |
| R2057 | 7030003200 | S.RES ERJ3GEYJ 100 V (10) | T | 38.7/69.2 |
| R2058 | 7030000010 | S.RES MCR10EZHH JPW (000) | B | 42.4/53.2 |
| R2059 | 7030003370 | S.RES ERJ3GEYJ 271 V (270) | T | 32.8/66.7 |
| R2060 | 7030004030 | S.RES ERJ3GEYJ 5R6 V (5.6) | B | 31.1/66.7 |
| R2061 | 7030003430 | S.RES ERJ3GEYJ 821 V (820) | B | 29.5/67.4 |
| R2081 | 7030003320 | S.RES ERJ3GEYJ 101 V (100) | B | 31.7/62.0 |
| R2201 | 7030003680 | S.RES ERJ3GEYJ 104 V (100K) | B | 31.5/78.0 |
| R2202 | 7030003680 | S.RES ERJ3GEYJ 104 V (100K) | B | 35.7/78.0 |
| R2251 | 7030003200 | S.RES ERJ3GEYJ 100 V (10) | T | 42.0/76.8 |
| R2252 | 7030003220 | S.RES ERJ3GEYJ 150 V (15) | T | 43.0/82.0 |
| R2253 | 7030003560 | S.RES ERJ3GEYJ 103 V (10K) | T | 47.0/79.6 |
| R2261 | 7030003200 | S.RES ERJ3GEYJ 100 V (10) | T | 37.6/76.5 |
| R2262 | 7030003390 | S.RES ERJ3GEYJ 391 V (390) | B | 41.5/76.0 |
| R2263 | 7030003390 | S.RES ERJ3GEYJ 391 V (390) | B | 39.9/76.0 |
| R2301 | 7030003680 | S.RES ERJ3GEYJ 104 V (100K) | B | 47.0/85.7 |
| R2351 | 7030003350 | S.RES ERJ3GEYJ 181 V (180) | T | 50.8/89.0 |
| R2352 | 7030003270 | S.RES ERJ3GEYJ 390 V (39) | T | 40.7/86.8 |
| R2354 | 7030003200 | S.RES ERJ3GEYJ 100 V (10) | T | 39.2/88.0 |
| R2355 | 7030003270 | S.RES ERJ3GEYJ 390 V (39) | T | 41.4/88.6 |
| R2356 | 7030003350 | S.RES ERJ3GEYJ 181 V (180) | B | 36.8/85.5 |
| R2357 | 7030003350 | S.RES ERJ3GEYJ 181 V (180) | B | 41.3/89.9 |
| R2361 | 7030003520 | S.RES ERJ3GEYJ 472 V (4.7K) | B | 37.3/90.7 |
| R2362 | 7030003320 | S.RES ERJ3GEYJ 101 V (100) | T | 34.5/88.3 |
| R2363 | 7030003520 | S.RES ERJ3GEYJ 472 V (4.7K) | T | 33.2/88.3 |
| R2401 | 7030003410 | S.RES ERJ3GEYJ 561 V (560) | B | 36.9/59.3 |
| R2421 | 7030003520 | S.RES ERJ3GEYJ 472 V (4.7K) | B | 5.7/44.5 |
| R2422 | 7030003340 | S.RES ERJ3GEYJ 151 V (150) | B | 5.7/42.9 |
| R2423 | 7030003340 | S.RES ERJ3GEYJ 151 V (150) | B | 5.7/47.7 |
| R2424 | 7030003520 | S.RES ERJ3GEYJ 472 V (4.7K) | B | 5.7/46.1 |
| R2451 | 7030003410 | S.RES ERJ3GEYJ 561 V (560) | B | 29.3/61.8 |
| R2470 | 7030003200 | S.RES ERJ3GEYJ 100 V (10) | T | 22.8/54.6 |
| R2471 | 7030003200 | S.RES ERJ3GEYJ 100 V (10) | T | 22.8/55.8 |
| R2472 | 7030003240 | S.RES ERJ3GEYJ 220 V (22) | B | 16.9/66.6 |
| R2473 | 7030003490 | S.RES ERJ3GEYJ 272 V (2.7K) | B | 21.3/61.6 |
| R2474 | 7030003410 | S.RES ERJ3GEYJ 561 V (560) | B | 18.4/61.6 |
| R2475 | 7030000010 | S.RES MCR10EZHH JPW (000) | B | 23.2/59.6 |
| R2491 | 7030003340 | S.RES ERJ3GEYJ 151 V (150) | B | 6.3/72.3 |
| R2492 | 7030003270 | S.RES ERJ3GEYJ 390 V (39) | B | 9.9/77.3 |
| R2493 | 7030003340 | S.RES ERJ3GEYJ 151 V (150) | B | 9.9/73.8 |
| R2495 | 7030000010 | S.RES MCR10EZHH JPW (000) | B | 30.8/85.0 |
| R2496 | 7030000010 | S.RES MCR10EZHH JPW (000) | B | 25.3/77.1 |
| R2511 | 7030003320 | S.RES ERJ3GEYJ 101 V (100) | B | 61.5/46.7 |
| R2521 | 7030003340 | S.RES ERJ3GEYJ 151 V (150) | T | 67.1/49.8 |
| R2522 | 7030003220 | S.RES ERJ3GEYJ 150 V (15) | T | 65.1/50.3 |
| R2523 | 7030003540 | S.RES ERJ3GEYJ 682 V (6.8K) | T | 66.8/53.5 |
| R2524 | 7030003460 | S.RES ERJ3GEYJ 152 V (1.5K) | T | 65.3/52.3 |
| R2526 | 7030003320 | S.RES ERJ3GEYJ 101 V (100) | B | 71.4/55.5 |
| R2527 | 7030003600 | S.RES ERJ3GEYJ 223 V (22K) | B | 65.1/54.0 |
| R2528 | 7510001561 | S.THE NTCG16 4BH 102JT | B | 66.2/48.2 |
| R2561 | 7030003260 | S.RES ERJ3GEYJ 330 V (33) | B | 51.4/63.5 |
| R2562 | 7030003350 | S.RES ERJ3GEYJ 181 V (180) | B | 48.8/62.4 |
| R2563 | 7030003350 | S.RES ERJ3GEYJ 181 V (180) | B | 54.5/66.2 |

[RF-B UNIT]

| REF NO. | PARTS NO. | DESCRIPTION | M. | H/V LOCATION |
|---------|------------|-----------------------------|----|--------------|
| R2581 | 7030003320 | S.RES ERJ3GEYJ 101 V (100) | B | 40.8/61.9 |
| R2582 | 7030003680 | S.RES ERJ3GEYJ 104 V (100K) | B | 17.7/71.4 |
| R2583 | 7030003680 | S.RES ERJ3GEYJ 104 V (100K) | T | 17.1/69.2 |
| R2584 | 7030003430 | S.RES ERJ3GEYJ 821 V (820) | B | 10.8/69.6 |
| R2585 | 7030003430 | S.RES ERJ3GEYJ 5R6 V (5.6) | B | 10.8/67.8 |
| R2586 | 7030003430 | S.RES ERJ3GEYJ 821 V (820) | B | 13.1/68.5 |
| R2587 | 7030003430 | S.RES ERJ3GEYJ 821 V (820) | B | 12.2/61.0 |
| R2588 | 7030004030 | S.RES ERJ3GEYJ 5R6 V (5.6) | B | 10.0/61.9 |
| R2589 | 7030003430 | S.RES ERJ3GEYJ 821 V (820) | B | 11.3/59.6 |
| R2590 | 7030003680 | S.RES ERJ3GEYJ 104 V (100K) | T | 12.6/56.7 |
| R2591 | 7030003680 | S.RES ERJ3GEYJ 104 V (100K) | T | 13.8/56.7 |
| R2592 | 7030003860 | S.RES ERJ3GE JPW V | T | 17.6/61.5 |
| R2601 | 7030003480 | S.RES ERJ3GEYJ 222 V (2.2K) | B | 53.7/77.5 |
| R2602 | 7030003340 | S.RES ERJ3GEYJ 151 V (150) | T | 59.2/77.8 |
| R2603 | 7030003270 | S.RES ERJ3GEYJ 390 V (39) | T | 56.4/77.8 |
| R2604 | 7030003340 | S.RES ERJ3GEYJ 151 V (150) | T | 58.5/79.7 |
| R2605 | 7030003480 | S.RES ERJ3GEYJ 222 V (2.2K) | B | 53.8/81.2 |
| R2606 | 7030003480 | S.RES ERJ3GEYJ 222 V (2.2K) | B | 56.9/74.0 |
| R2607 | 7030003480 | S.RES ERJ3GEYJ 222 V (2.2K) | B | 58.6/80.0 |
| R2610 | 7030003860 | S.RES ERJ3GE JPW V | T | 52.0/72.6 |
| R2611 | 7030003480 | S.RES ERJ3GEYJ 222 V (2.2K) | T | 58.3/72.6 |
| R2612 | 7030003480 | S.RES ERJ3GEYJ 222 V (2.2K) | B | 61.4/84.6 |
| R2613 | 7030004030 | S.RES ERJ3GEYJ 5R6 V (5.6) | B | 65.9/71.6 |
| R2614 | 7030003430 | S.RES ERJ3GEYJ 821 V (820) | B | 62.6/75.0 |
| R2615 | 7030003430 | S.RES ERJ3GEYJ 821 V (820) | B | 69.2/72.9 |
| R2631 | 7030003370 | S.RES ERJ3GEYJ 271 V (270) | B | 60.1/90.1 |
| R2632 | 7030003230 | S.RES ERJ3GEYJ 180 V (18) | B | 57.1/90.1 |
| R2633 | 7030003370 | S.RES ERJ3GEYJ 271 V (270) | B | 59.3/91.5 |
| R2651 | 7030003860 | S.RES ERJ3GE JPW V | T | 74.3/70.8 |
| R2701 | 7030003480 | S.RES ERJ3GEYJ 222 V (2.2K) | B | 68.6/93.8 |
| R2702 | 7030003230 | S.RES ERJ3GEYJ 180 V (18) | T | 69.1/94.4 |
| R2703 | 7030003370 | S.RES ERJ3GEYJ 271 V (270) | T | 69.9/92.4 |
| R2704 | 7030003370 | S.RES ERJ3GEYJ 271 V (270) | T | 70.6/94.4 |
| R2705 | 7030003480 | S.RES ERJ3GEYJ 222 V (2.2K) | B | 71.4/93.8 |
| R2706 | 7030003480 | S.RES ERJ3GEYJ 222 V (2.2K) | T | 65.3/91.7 |
| R2707 | 7030003480 | S.RES ERJ3GEYJ 222 V (2.2K) | B | 78.9/96.3 |
| R2711 | 7030003480 | S.RES ERJ3GEYJ 222 V (2.2K) | B | 69.5/89.4 |
| R2712 | 7030003480 | S.RES ERJ3GEYJ 222 V (2.2K) | B | 75.3/92.5 |
| R2751 | 7030003440 | S.RES ERJ3GEYJ 102 V (1K) | T | 75.4/44.3 |
| R2752 | 7030003680 | S.RES ERJ3GEYJ 104 V (100K) | T | 68.0/43.7 |
| R2781 | 7030003370 | S.RES ERJ3GEYJ 271 V (270) | B | 80.9/91.9 |
| R2782 | 7030003230 | S.RES ERJ3GEYJ 180 V (18) | B | 82.9/91.1 |
| R2783 | 7030003370 | S.RES ERJ3GEYJ 271 V (270) | B | 79.4/89.1 |
| R2801 | 7030003470 | S.RES ERJ3GEYJ 182 V (1.8K) | T | 85.2/86.8 |
| R2802 | 7030003340 | S.RES ERJ3GEYJ 151 V (150) | T | 81.2/85.7 |
| R2803 | 7030003380 | S.RES ERJ3GEYJ 331 V (330) | T | 80.5/77.9 |
| R2804 | 7030003200 | S.RES ERJ3GEYJ 100 V (10) | T | 82.3/77.9 |
| R2805 | 7030003440 | S.RES ERJ3GEYJ 102 V (1K) | T | 84.4/84.8 |
| R2806 | 7030003280 | S.RES ERJ3GEYJ 470 V (47) | B | 87.0/88.7 |
| R2831 | 7030003370 | S.RES ERJ3GEYJ 271 V (270) | T | 90.4/86.8 |
| R2832 | 7030003230 | S.RES ERJ3GEYJ 180 V (18) | T | 93.0/85.6 |
| R2833 | 7030003370 | S.RES ERJ3GEYJ 271 V (270) | T | 93.0/86.8 |
| C1 | 4030006860 | S.CER C1608 JB 1H 102K-T | T | 25.6/1.4 |
| C2 | 4030006860 | S.CER C1608 JB 1H 102K-T | T | 92.8/6.5 |
| C3 | 4030019560 | S.CER GRM21BB31C106KE15L | T | 94.3/6.7 |
| C4 | 4030006860 | S.CER C1608 JB 1H 102K-T | T | 91.5/6.5 |
| C5 | 4030006860 | S.CER C1608 JB 1H 102K-T | T | 90.2/6.5 |
| C6 | 4030006860 | S.CER C1608 JB 1H 102K-T | T | 88.9/6.5 |
| C7 | 4030006860 | S.CER C1608 JB 1H 102K-T | T | 85.5/3.7 |
| C8 | 4030006860 | S.CER C1608 JB 1H 102K-T | T | 87.6/6.5 |
| C10 | 4030006860 | S.CER C1608 JB 1H 102K-T | T | 66.2/4.9 |
| C11 | 4030006860 | S.CER C1608 JB 1H 102K-T | T | 64.9/4.9 |
| C12 | 4030006860 | S.CER C1608 JB 1H 102K-T | T | 63.6/4.9 |
| C13 | 4030006860 | S.CER C1608 JB 1H 102K-T | T | 62.3/4.9 |
| C14 | 4030006860 | S.CER C1608 JB 1H 102K-T | T | 61.4/9.2 |
| C15 | 4030006860 | S.CER C1608 JB 1H 102K-T | T | 61.4/8.0 |
| C16 | 4030006860 | S.CER C1608 JB 1H 102K-T | T | 35.8/5.7 |
| C17 | 4030006860 | S.CER C1608 JB 1H 102K-T | T | 35.8/4.4 |
| C18 | 4030006860 | S.CER C1608 JB 1H 102K-T | T | 61.0/4.9 |
| C22 | 4030006860 | S.CER C1608 JB 1H 102K-T | T | 21.9/7.5 |
| C23 | 4030006860 | S.CER C1608 JB 1H 102K-T | T | 20.7/7.5 |
| C24 | 4030006860 | S.CER C1608 JB 1H 102K-T | | |

[RF-B UNIT]

| REF NO. | PARTS NO. | DESCRIPTION | M. | H/V LOCATION |
|---------|------------|--|----|--------------|
| C118 | 4510009920 | S.ELE 16 CE 100 LH | T | 129.2/18.7 |
| C121 | 4030007170 | S.CER C1608 CH 1H 221J-T | B | 115.0/16.2 |
| C125 | 4510009920 | S.ELE 16 CE 100 LH | T | 115.0/18.7 |
| C126 | 4030006880 | S.CER C1608 JB 1E 472K-T | B | 121.1/20.7 |
| C127 | 4030006880 | S.CER C1608 JB 1H 472K-T | B | 117.4/20.6 |
| C128 | 4510009920 | S.ELE 16 CE 100 LH | T | 107.9/18.7 |
| C131 | 4030007170 | S.CER C1608 CH 1H 221J-T | B | 126.2/15.5 |
| C141 | 4030018640 | S.CER C2012 CH 1H 103J-T | B | 107.4/28.2 |
| C142 | 4550003220 | S.TAN TEESVA 1E 105M8R | T | 107.0/28.5 |
| C143 | 4030007010 | S.CER C1608 CH 1H 100D-T | T | 105.0/26.0 |
| C144 | 4030010760 | S.CER C1608 CH 1H 331J-T | T | 109.5/24.4 |
| C145 | 4030018800 | S.CER C3216 CH 1H 223J-T | B | 109.8/18.7 |
| C146 | 4030019120 | S.CER GRM188B31E105KA75D | T | 109.5/26.8 |
| C148 | 4030019560 | S.CER GRM21BB31C106KE15L | B | 109.7/24.2 |
| C149 | 4030011600 | S.CER C1608 JB 1E 104K-T | B | 111.6/24.3 |
| C151 | 4030018640 | S.CER C2012 CH 1H 103J-T | B | 117.6/24.9 |
| C152 | 4550003220 | S.TAN TEESVA 1E 105M8R | T | 115.3/28.5 |
| C153 | 4030007010 | S.CER C1608 CH 1H 100D-T | T | 113.6/26.0 |
| C154 | 4030010760 | S.CER C1608 CH 1H 331J-T | T | 118.1/24.4 |
| C155 | 4030018800 | S.CER C3216 CH 1H 223J-T | B | 117.2/22.7 |
| C156 | 4030019120 | S.CER GRM188B31E105KA75D | T | 118.1/25.6 |
| C201 | 4030011600 | S.CER C1608 JB 1E 104K-T | B | 140.4/24.7 |
| C202 | 4030011600 | S.CER C1608 JB 1E 104K-T | T | 145.0/26.1 |
| C203 | 4030006860 | S.CER C1608 JB 1H 102K-T | T | 142.6/28.2 |
| C212 | 4610001970 | S.TRI TZC3P200A110R00 (TZC03P200A1102) | T | 143.1/41.6 |
| C213 | 4030007050 | S.CER C1608 CH 1H 220J-T | T | 144.9/37.9 |
| C215 | 4030006900 | S.CER C1608 JB 1H 103K-T | B | 136.3/31.0 |
| C217 | 4030006900 | S.CER C1608 JB 1H 103K-T | B | 138.0/39.8 |
| C221 | 4030011600 | S.CER C1608 JB 1E 104K-T | T | 139.6/34.6 |
| C222 | 4550006780 | S.TAN TEESVBZ QJ 476M8R | B | 141.5/31.6 |
| C223 | 4030011600 | S.CER C1608 JB 1E 104K-T | B | 146.0/32.3 |
| C224 | 4030006860 | S.CER C1608 JB 1H 102K-T | B | 144.0/24.1 |
| C251 | 4030007170 | S.CER C1608 CH 1H 221J-T | T | 105.5/30.6 |
| C252 | 4030007030 | S.CER C1608 CH 1H 150J-T | T | 103.4/32.9 |
| C255 | 4030007170 | S.CER C1608 CH 1H 221J-T | T | 109.2/39.6 |
| C256 | 4030007030 | S.CER C1608 CH 1H 150J-T | T | 105.7/38.0 |
| C301 | 4030011600 | S.CER C1608 JB 1E 104K-T | B | 90.2/21.2 |
| C302 | 4030011600 | S.CER C1608 JB 1E 104K-T | B | 93.3/24.5 |
| C303 | 4030006900 | S.CER C1608 JB 1H 103K-T | B | 94.9/24.5 |
| C304 | 4030007130 | S.CER C1608 CH 1H 101J-T | B | 99.1/21.5 |
| C305 | 4030011600 | S.CER C1608 JB 1E 104K-T | B | 96.5/26.5 |
| C306 | 4030011600 | S.CER C1608 JB 1E 104K-T | T | 94.2/27.5 |
| C307 | 4030011600 | S.CER C1608 JB 1E 104K-T | T | 98.5/30.8 |
| C308 | 4030006980 | S.CER C1608 CH 1H 070D-T | B | 101.8/33.5 |
| C311 | 4030011600 | S.CER C1608 JB 1E 104K-T | T | 95.8/36.2 |
| C313 | 4030011600 | S.CER C1608 JB 1E 104K-T | B | 94.2/43.4 |
| C315 | 4030011600 | S.CER C1608 JB 1E 104K-T | T | 95.0/33.8 |
| C316 | 4030017870 | S.CER C1608 CH 1H 681J-T | T | 92.2/37.5 |
| C317 | 4030007140 | S.CER C1608 CH 1H 121J-T | T | 89.9/38.0 |
| C318 | 4030007050 | S.CER C1608 CH 1H 220J-T | B | 93.3/37.5 |
| C319 | 4030007150 | S.CER C1608 CH 1H 151J-T | T | 88.7/38.0 |
| C321 | 4030011600 | S.CER C1608 JB 1E 104K-T | B | 91.9/42.7 |
| C331 | 4030011600 | S.CER C1608 JB 1E 104K-T | B | 88.7/42.1 |
| C332 | 4030009530 | S.CER C1608 CH 1H 030B-T | B | 79.9/53.8 |
| C333 | 4030007090 | S.CER C1608 CH 1H 470J-T | B | 88.0/48.2 |
| C334 | 4030007090 | S.CER C1608 CH 1H 470J-T | B | 81.4/69.4 |
| C335 | 4030007030 | S.CER C1608 CH 1H 150J-T | B | 83.8/45.1 |
| C336 | 4030007030 | S.CER C1608 CH 1H 150J-T | B | 79.2/64.5 |
| C351 | 4030011600 | S.CER C1608 JB 1E 104K-T | B | 80.4/43.4 |
| C361 | 4030011600 | S.CER C1608 JB 1E 104K-T | B | 84.2/37.9 |
| C362 | 4030017810 | S.CER C1608 CH 1H 102J-T | T | 86.1/39.2 |
| C363 | 4030007090 | S.CER C1608 CH 1H 470J-T | T | 84.9/30.4 |
| C364 | 4030017810 | S.CER C1608 CH 1H 102J-T | T | 56.5/27.8 |
| C365 | 4030011600 | S.CER C1608 JB 1E 104K-T | T | 50.0/32.2 |
| C371 | 4030011600 | S.CER C1608 JB 1E 104K-T | B | 88.0/25.0 |
| C381 | 4030011600 | S.CER C1608 JB 1E 104K-T | B | 84.8/28.9 |
| C501 | 4030019120 | S.CER GRM188B31E105KA75D | B | 18.5/15.5 |
| C502 | 4030007130 | S.CER C1608 CH 1H 101J-T | T | 11.5/19.1 |
| C505 | 4030009350 | S.CER C1608 CH 1H 3R5B-T | B | 15.0/30.2 |
| C506 | 4030007160 | S.CER C1608 CH 1H 181J-T | B | 16.6/30.2 |
| C511 | 4030017870 | S.CER C1608 CH 1H 681J-T | B | 18.2/30.2 |
| C512 | 4030011330 | S.CER C1608 CH 1H 391J-T | B | 19.8/30.2 |
| C515 | 4510009920 | S.ELE 16 CE 100 LH | T | 24.0/24.5 |
| C516 | 4030011600 | S.CER C1608 JB 1E 104K-T | T | 24.1/20.3 |
| C517 | 4030011600 | S.CER C1608 JB 1E 104K-T | T | 17.4/26.0 |
| C518 | 4510009920 | S.ELE 16 CE 100 LH | T | 12.7/24.3 |
| C521 | 4030007170 | S.CER C1608 CH 1H 221J-T | B | 14.4/34.0 |
| C525 | 4510009920 | S.ELE 16 CE 100 LH | T | 24.0/34.0 |
| C526 | 4030011600 | S.CER C1608 JB 1E 104K-T | T | 24.1/29.8 |
| C527 | 4030011600 | S.CER C1608 JB 1E 104K-T | T | 18.5/39.5 |
| C528 | 4510009920 | S.ELE 16 CE 100 LH | T | 14.9/32.0 |
| C531 | 4030007170 | S.CER C1608 CH 1H 221J-T | B | 25.0/33.9 |
| C541 | 4030018640 | S.CER C2012 CH 1H 103J-T | B | 39.4/27.5 |
| C542 | 4550003220 | S.TAN TEESVA 1E 105M8R | B | 31.5/32.1 |
| C543 | 4030007010 | S.CER C1608 CH 1H 100D-T | T | 31.0/36.3 |
| C544 | 4030010760 | S.CER C1608 CH 1H 331J-T | T | 29.3/31.0 |
| C545 | 4030018800 | S.CER C3216 CH 1H 223J-T | B | 29.7/37.4 |
| C546 | 4030019120 | S.CER GRM188B31E105KA75D | T | 31.0/31.0 |
| C548 | 4030019560 | S.CER GRM21BB31C106KE15L | B | 26.6/25.6 |
| C549 | 4030011600 | S.CER C1608 JB 1E 104K-T | B | 26.1/27.6 |
| C551 | 4030018640 | S.CER C2012 CH 1H 103J-T | B | 34.8/23.1 |
| C552 | 4550003220 | S.TAN TEESVA 1E 105M8R | B | 31.5/26.4 |
| C553 | 4030007010 | S.CER C1608 CH 1H 100D-T | T | 31.0/28.2 |
| C554 | 4030010760 | S.CER C1608 CH 1H 331J-T | T | 29.3/22.9 |
| C555 | 4030018800 | S.CER C3216 CH 1H 223J-T | B | 28.9/29.3 |
| C556 | 4030019120 | S.CER GRM188B31E105KA75D | T | 31.0/22.9 |
| C601 | 4030006880 | S.CER C1608 JB 1H 472K-T | B | 44.4/60.9 |
| C602 | 4030006880 | S.CER C1608 JB 1H 472K-T | B | 44.9/53.3 |
| C603 | 4030006880 | S.CER C1608 JB 1H 472K-T | B | 40.4/12.0 |
| C604 | 4030006860 | S.CER C1608 JB 1H 102K-T | B | 45.8/10.9 |
| C605 | 4030006860 | S.CER C1608 JB 1H 102K-T | T | 44.7/12.4 |
| C606 | 4030006860 | S.CER C1608 JB 1H 102K-T | T | 43.8/16.2 |
| C612 | 4610001970 | S.TRI TZC3P200A110R00 (TZC03P200A1102) | B | 231.2/89 |

[RF-B UNIT]

| REF NO. | PARTS NO. | DESCRIPTION | M. | H/V LOCATION |
|---------|------------|--------------------------|----|--------------|
| C615 | 4030006880 | S.CER C1608 JB 1H 472K-T | B | 45.2/42.1 |
| C617 | 4030006880 | S.CER C1608 JB 1H 472K-T | B | 35.8/40.8 |
| C621 | 4030011600 | S.CER C1608 JB 1E 104K-T | T | 22.4/50.3 |
| C622 | 4030011600 | S.CER C1608 JB 1E 104K-T | B | 18.5/44.3 |
| C651 | 4030009920 | S.CER C1608 CH 1H 050B-T | B | 47.5/24.8 |
| C655 | 4030009920 | S.CER C1608 CH 1H 050B-T | B | 41.5/22.1 |
| C701 | 4030011600 | S.CER C1608 JB 1E 104K-T | B | 58.9/19.8 |
| C702 | 4030011600 | S.CER C1608 JB 1E 104K-T | B | 52.6/30.4 |
| C703 | 4030006880 | S.CER C1608 JB 1H 472K-T | B | 54.2/31.2 |
| C704 | 4030007030 | S.CER C1608 CH 1H 150J-T | B | 52.6/27.3 |
| C705 | 4030006880 | S.CER C1608 JB 1H 472K-T | B | 55.8/27.3 |
| C706 | 4030006880 | S.CER C1608 JB 1H 472K-T | T | 51.8/16.2 |
| C707 | 4030006880 | S.CER C1608 JB 1H 472K-T | T | 57.0/17.8 |
| C708 | 4030006880 | S.CER C1608 CH 1H 070D-T | T | 66.9/20.2 |
| C711 | 4030006880 | S.CER C1608 JB 1H 472K-T | T | 72.6/24.9 |
| C712 | 4030007010 | S.CER C1608 CH 1H 100D-T | T | 69.7/26.5 |
| C713 | 4030007160 | S.CER C1608 CH 1H 181J-T | B | 64.1/29.4 |
| C715 | 4030006880 | S.CER C1608 JB 1H 472K-T | B | 75.2/25.7 |
| C716 | 4030007150 | S.CER C1608 CH 1H 151J-T | T | 69.3/32.8 |
| C717 | 4030007120 | S.CER C1608 CH 1H 820J-T | T | 64.3/34.3 |
| C721 | 4030006880 | S.CER C1608 JB 1H 472K-T | B | 69.4/35.9 |
| C731 | 4030006880 | S.CER C1608 JB 1H 472K-T | B | 58.6/34.1 |
| C732 | 4030007030 | S.CER C1608 CH 1H 150J-T | T | 55.5/39.5 |
| C734 | 4030011770 | S.CER C1608 CH 1H 060B-T | T | 60.1/46.6 |
| C737 | 4030007030 | S.CER C1608 CH 1H 150J-T | T | 55.9/50.9 |
| C740 | 4030006860 | S.CER C1608 JB 1H 102K-T | T | 139.7/7.3 |
| C751 | 4030006880 | S.CER C1608 JB 1H 472K-T | B | 67.9/43.3 |
| C761 | 4030006880 | S.CER C1608 JB 1H 472K-T | T | 64.5/39.1 |
| C762 | 4030007150 | S.CER C1608 CH 1H 151J-T | T | 65.3/37.2 |
| C763 | 4030006990 | S.CER C1608 CH 1H 080D-T | T | 71.2/39.3 |
| C764 | 4030007150 | S.CER C1608 CH 1H 151J-T | T | 73.9/36.4 |
| C765 | 4030006880 | S.CER C1608 JB 1H 472K-T | B | 78.0/36.2 |
| C771 | 4030006880 | S.CER C1608 JB 1H 472K-T | B | 73.2/38.5 |
| C1001 | 4030011600 | S.CER C1608 JB 1E 104K-T | B | 85.4/64.2 |
| C1011 | 4030011600 | S.CER C1608 JB 1E 104K-T | B | 91.7/56.6 |
| C1021 | 4030011600 | S.CER C1608 JB 1E 104K-T | T | 106.7/56.3 |
| C1022 | 4030007140 | S.CER C1608 CH 1H 121J-T | T | 94.0/58.8 |
| C1023 | 4030009920 | S.CER C1608 CH 1H 050B-T | T | 103.5/53.0 |
| C1024 | 4030006860 | S.CER C1608 JB 1H 102K-T | T | 99.3/51.1 |
| C1025 | 4030011600 | S.CER C1608 JB 1E 104K-T | T | 100.5/51.1 |
| C1026 | 4030011600 | S.CER C1608 JB 1E 104K-T | T | 95.1/51.7 |
| C1027 | 4030006860 | S.CER C1608 JB 1H 102K-T | T | 96.3/57.1 |
| C1028 | 4030007080 | S.CER C1608 CH 1H 390J-T | T | 94.0/56.2 |
| C1051 | 4030011600 | S.CER C1608 JB 1E 104K-T | B | 114.4/51.8 |
| C1052 | 4030007140 | S.CER C1608 CH 1H 121J-T | T | 120.5/51.8 |
| C1053 | 4030006900 | S.CER C1608 JB 1H 103K-T | T | 125.8/49.4 |
| C1054 | 4030006900 | S.CER C1608 JB 1H 103K-T | B | 126.4/52.8 |
| C1055 | 4030006900 | S.CER C1608 JB 1H 103K-T | B | 126.5/49.0 |
| C1056 | 4030006900 | S.CER C1608 JB 1H 103K-T | T | 125.8/53.8 |
| C1081 | 4030007060 | S.CER C1608 CH 1H 270J-T | T | 120.6/66.4 |
| C1082 | 4030011340 | S.CER C1608 CH 1H 471J-T | T | 125.1/65.9 |
| C1083 | 4030011600 | S.CER C1608 JB 1E 104K-T | B | 123.2/63.3 |
| C1084 | 4030007060 | S.CER C1608 CH 1H 270J-T | T | 122.5/67.1 |
| C1085 | 4030007060 | S.CER C1608 CH 1H 270J-T | T | 118.2/66.4 |
| C1101 | 4030017810 | S.CER C1608 CH 1H 102J-T | B | 136.2/52.2 |
| C1102 | 4030017810 | S.CER C1608 CH 1H 102J-T | B | 140.7/72.9 |
| C1103 | 4030006860 | S.CER C1608 JB 1H 102K-T | B | 142.3/55.6 |
| C1111 | 4030009990 | S.CER C1608 CH 1H 200J-T | T | 140.2/59.4 |
| C1112 | 4030009650 | S.CER C1608 CH 1H 240J-T | T | 138.3/60.2 |
| C1113 | 4030007040 | S.CER C1608 CH 1H 180J-T | T | 139.5/61.3 |
| C1114 | 4030007090 | S.CER C1608 CH 1H 470J-T | T | 138.8/63.1 |
| C1116 | 4030007040 | S.CER C1608 CH 1H 180J-T | T | 141.1/62.8 |
| C1117 | 4030006860 | S.CER C1608 JB 1H 102K-T | T | 137.5/54.9 |
| C1118 | 4030006860 | S.CER C1608 JB 1H 102K-T | T | 137.0/69.1 |
| C1119 | 4030011600 | S.CER C1608 JB 1E 104K-T | T | 136.9/57.1 |
| C1201 | 4030007110 | S.CER C1608 CH 1H 680J-T | T | 139.7/76.0 |
| C1202 | 4030007050 | S.CER C1608 CH 1H 220J-T | T | 140.1/79.2 |
| C1203 | 4030007110 | S.CER C1608 CH 1H 680J-T | T | 143.5/79.9 |
| C1204 | 4030006860 | S.CER C1608 JB 1H 102K-T | B | 144.1/78.1 |
| C1205 | 4030007030 | S.CER C1608 CH 1H 150J-T | T | 139.5/71.5 |
| C1206 | 4030007020 | S.CER C1608 CH 1H 120J-T | T | 145.9/76.3 |
| C1251 | 4030007030 | | | |

[RF-B UNIT]

| REF NO. | PARTS NO. | DESCRIPTION | M. | H/V LOCATION |
|---------|-------------|--------------------------|----|--------------|
| C1475 | 4030006860 | S.CER C1608 JB 1H 102K-T | B | 114.6/62.7 |
| C1491 | 4030007070 | S.CER C1608 CH 1H 330J-T | T | 105.5/63.9 |
| C1492 | 4030007140 | S.CER C1608 CH 1H 121J-T | T | 104.3/63.9 |
| C1493 | 4030009650 | S.CER C1608 CH 1H 240J-T | T | 103.8/65.7 |
| C1511 | 4030011600 | S.CER C1608 JB 1E 104K-T | T | 90.5/57.0 |
| C1521 | 4030011600 | S.CER C1608 JB 1E 104K-T | T | 89.8/61.7 |
| C1522 | 4030007090 | S.CER C1608 CH 1H 470J-T | B | 87.5/63.9 |
| C1523 | 4030006860 | S.CER C1608 JB 1H 102K-T | B | 87.7/72.7 |
| C1524 | 4030011600 | S.CER C1608 JB 1E 104K-T | B | 94.0/65.2 |
| C1525 | 4030011600 | S.CER C1608 JB 1E 104K-T | B | 95.6/69.6 |
| C1526 | 4030007030 | S.CER C1608 CH 1H 150J-T | B | 93.3/75.6 |
| C1527 | 4030007090 | S.CER C1608 CH 1H 470J-T | B | 93.3/74.0 |
| C1552 | 4030007140 | S.CER C1608 CH 1H 121J-T | B | 106.0/74.4 |
| C1555 | 4030006860 | S.CER C1608 JB 1H 102K-T | B | 106.7/70.2 |
| C1556 | 4030011780 | S.CER C1608 CH 1H 102J-T | T | 109.3/76.4 |
| C1557 | 4030011780 | S.CER C1608 CH 1H 102J-T | T | 109.3/72.4 |
| C1559 | 4030007070 | S.CER C1608 CH 1H 330J-T | T | 113.0/77.2 |
| C1560 | 4030007070 | S.CER C1608 CH 1H 330J-T | T | 113.0/71.6 |
| C1561 | 4030006860 | S.CER C1608 JB 1H 102K-T | T | 111.8/71.6 |
| C1562 | 4030006860 | S.CER C1608 JB 1H 102K-T | B | 112.7/74.4 |
| C1563 | 4030011600 | S.CER C1608 JB 1E 104K-T | B | 112.7/76.0 |
| C1564 | 4030006860 | S.CER C1608 JB 1H 102K-T | B | 105.2/67.0 |
| C1571 | 4030011780 | S.CER C1608 CH 1H 102J-T | B | 93.2/91.0 |
| C1581 | 4030006860 | S.CER C1608 JB 1H 102K-T | T | 108.6/65.5 |
| C1611 | 4030009550 | S.CER C1608 CH 1H 2R5B-T | T | 128.6/64.6 |
| C1612 | 4030007170 | S.CER C1608 CH 1H 221J-T | T | 129.3/71.1 |
| C1613 | 4030009500 | S.CER C1608 CH 1H 0R5B-T | T | 129.3/72.4 |
| C1614 | 4030009570 | S.CER C1608 CH 1H 0R3B-T | T | 129.3/73.7 |
| C1615 | 4030007170 | S.CER C1608 CH 1H 221J-T | T | 129.3/75.0 |
| C1616 | 4030009550 | S.CER C1608 CH 1H 2R5B-T | T | 128.5/78.4 |
| C1617 | 4030011780 | S.CER C1608 CH 1H 102J-T | B | 131.8/77.8 |
| C1631 | 4030011780 | S.CER C1608 CH 1H 102J-T | B | 120.7/82.8 |
| C1651 | 4030006860 | S.CER C1608 JB 1H 102K-T | B | 117.4/86.3 |
| C1652 | 4030011340 | S.CER C1608 CH 1H 471J-T | T | 117.9/87.0 |
| C1670 | 4030011780 | S.CER C1608 CH 1H 102J-T | T | 115.1/86.0 |
| C1671 | 4030009550 | S.CER C1608 CH 1H 2R5B-T | T | 110.5/89.5 |
| C1672 | 4030007170 | S.CER C1608 CH 1H 221J-T | T | 108.6/88.7 |
| C1673 | 4030009500 | S.CER C1608 CH 1H 0R5B-T | T | 107.2/88.7 |
| C1674 | 4030009570 | S.CER C1608 CH 1H 0R3B-T | T | 105.8/88.7 |
| C1675 | 4030007170 | S.CER C1608 CH 1H 221J-T | T | 104.4/88.7 |
| C1676 | 4030009550 | S.CER C1608 CH 1H 2R5B-T | T | 102.2/89.7 |
| C1677 | 4030011780 | S.CER C1608 CH 1H 102J-T | T | 105.1/84.1 |
| C1678 | 4030006860 | S.CER C1608 JB 1H 102K-T | T | 97.7/91.5 |
| C1701 | 4030006860 | S.CER C1608 JB 1H 102K-T | B | 95.6/83.2 |
| C1711 | 4030006860 | S.CER C1608 JB 1H 102K-T | T | 98.1/83.1 |
| C2001 | 4030006880 | S.CER C1608 JB 1H 472K-T | B | 57.9/56.9 |
| C2011 | 4030006860 | S.CER C1608 JB 1H 102K-T | B | 48.0/56.6 |
| C2021 | 4030006860 | S.CER C1608 JB 1H 102K-T | T | 50.6/57.2 |
| C2022 | 4030006860 | S.CER C1608 JB 1H 102K-T | B | 44.4/53.0 |
| C2023 | 4030009920 | S.CER C1608 CH 1H 050B-T | T | 39.5/53.9 |
| C2024 | 4030011600 | S.CER C1608 JB 1E 104K-T | T | 45.8/56.4 |
| C2025 | 4030006860 | S.CER C1608 JB 1H 102K-T | T | 44.5/56.4 |
| C2027 | 4030011600 | S.CER C1608 JB 1E 104K-T | T | 48.6/56.6 |
| C2028 | 4030009550 | S.CER C1608 CH 1H 2R5B-T | T | 47.8/51.2 |
| C2029 | 4030006860 | S.CER C1608 CH 1H 102K-T | B | 44.7/57.1 |
| C2033 | 4030007030 | S.CER C1608 CH 1H 150J-T | T | 47.8/53.6 |
| C2052 | 4030006860 | S.CER C1608 JB 1H 102K-T | B | 31.8/64.3 |
| C2053 | 4030011600 | S.CER C1608 JB 1E 104K-T | B | 41.0/70.2 |
| C2054 | 4030006860 | S.CER C1608 JB 1H 102K-T | B | 41.0/68.6 |
| C2061 | 4030006860 | S.CER C1608 JB 1H 102K-T | T | 32.8/70.4 |
| C2062 | 4030011600 | S.CER C1608 JB 1E 104K-T | T | 34.1/70.4 |
| C2063 | 4030007170 | S.CER C1608 CH 1H 221J-T | T | 36.7/66.7 |
| C2064 | 4030007170 | S.CER C1608 CH 1H 221J-T | T | 36.7/70.4 |
| C2065 | 4030009530 | S.CER C1608 CH 1H 030B-T | B | 33.5/69.6 |
| C2081 | 4030011340 | S.CER C1608 CH 1H 471J-T | B | 34.5/55.3 |
| C2082 | 4030006860 | S.CER C1608 JB 1H 102K-T | B | 34.5/56.9 |
| C2202 | 4030007010 | S.CER C1608 CH 1H 100D-T | T | 29.0/81.9 |
| C2203 | 4030007030 | S.CER C1608 CH 1H 150J-T | T | 33.6/79.6 |
| C2204 | 4030009990 | S.CER C1608 CH 1H 200J-T | T | 26.2/80.4 |
| C2205 | 4030009990 | S.CER C1608 CH 1H 200J-T | T | 41.0/80.4 |
| C2206 | 4030007010 | S.CER C1608 CH 1H 100D-T | T | 38.1/81.9 |
| C2207 | 4030007170 | S.CER C1608 CH 1H 221J-T | B | 33.1/76.5 |
| C2208 | 4030007030 | S.CER C1608 CH 1H 150J-T | T | 25.3/76.6 |
| C2209 | 4030007030 | S.CER C1608 CH 1H 150J-T | T | 27.0/77.8 |
| C2210 | 4030006940 | S.CER C1608 CH 1H 030C-T | T | 24.1/78.1 |
| C2251 | 4030009920 | S.CER C1608 CH 1H 050B-T | T | 40.2/77.8 |
| C2252 | 4030006900 | S.CER C1608 JB 1H 103K-T | T | 43.0/79.6 |
| C2253 | 4030006860 | S.CER C1608 JB 1H 102K-T | T | 43.0/80.8 |
| C2254 | 4030006860 | S.CER C1608 JB 1H 102K-T | T | 47.0/78.0 |
| C2255 | 4030006900 | S.CER C1608 JB 1H 103K-T | T | 47.0/76.8 |
| C2261 | 4030006860 | S.CER C1608 JB 1H 102K-T | B | 44.0/76.8 |
| C2262 | 40300119560 | S.CER GRM21BB31C106KE15L | B | 44.2/75.0 |
| C2264 | 4030006900 | S.CER C1608 JB 1H 103K-T | T | 35.7/77.2 |
| C2265 | 4030006860 | S.CER C1608 JB 1H 102K-T | T | 35.7/76.0 |
| C2301 | 4030007040 | S.CER C1608 CH 1H 180J-T | T | 47.0/81.1 |
| C2302 | 4030007170 | S.CER C1608 CH 1H 221J-T | T | 48.9/83.7 |
| C2303 | 4030011340 | S.CER C1608 CH 1H 471J-T | T | 45.2/80.3 |
| C2304 | 4030009920 | S.CER C1608 CH 1H 050B-T | T | 45.1/86.4 |
| C2305 | 4030007170 | S.CER C1608 CH 1H 221J-T | B | 44.7/84.9 |
| C2351 | 4030006860 | S.CER C1608 JB 1H 102K-T | T | 50.8/86.4 |
| C2352 | 4030011600 | S.CER C1608 JB 1E 104K-T | B | 38.9/90.7 |
| C2353 | 4030011340 | S.CER C1608 CH 1H 471J-T | T | 43.2/89.4 |
| C2354 | 4030006860 | S.CER C1608 JB 1H 102K-T | T | 37.1/89.8 |
| C2355 | 4030011600 | S.CER C1608 JB 1E 104K-T | T | 35.8/89.8 |
| C2356 | 4030006860 | S.CER C1608 JB 1H 102K-T | B | 39.1/86.3 |
| C2357 | 4030011600 | S.CER C1608 JB 1E 104K-T | B | 40.7/86.3 |
| C2358 | 4030006860 | S.CER C1608 JB 1H 102K-T | B | 41.3/91.5 |
| C2359 | 4030011340 | S.CER C1608 CH 1H 471J-T | T | 40.6/92.1 |
| C2361 | 4030011530 | S.CER C1608 CH 1H 110J-T | T | 45.1/90.1 |
| C2362 | 4030007070 | S.CER C1608 CH 1H 330J-T | T | 46.4/92.1 |
| C2363 | 4030011770 | S.CER C1608 CH 1H 060B-T | T | 43.8/92.1 |
| C2364 | 4030011340 | S.CER C1608 CH 1H 471J-T | T | 15.1/80.3 |
| C2365 | 4030011340 | S.CER C1608 CH 1H 471J-T | T | 16.6/75.9 |
| C2411 | 4030007020 | S.CER C1608 CH 1H 120J-T | T | 36.7/60.0 |
| C2412 | 4030009650 | S.CER C1608 CH 1H 240J-T | T | 35.5/58.5 |

[RF-B UNIT]

| REF NO. | PARTS NO. | DESCRIPTION | M. | H/V LOCATION |
|---------|------------|--------------------------|----|--------------|
| C2413 | 4030006990 | S.CER C1608 CH 1H 080D-T | T | 34.7/60.5 |
| C2414 | 4030011530 | S.CER C1608 CH 1H 110J-T | T | 34.2/58.5 |
| C2415 | 4030007000 | S.CER C1608 CH 1H 090D-T | T | 32.1/60.5 |
| C2422 | 4030006860 | S.CER C1608 JB 1H 102K-T | T | 33.0/55.0 |
| C2423 | 4030009350 | S.CER C1608 CH 1H 3R5B-T | T | 28.6/57.0 |
| C2424 | 4030006860 | S.CER C1608 JB 1H 102K-T | T | 31.2/55.9 |
| C2451 | 4030009920 | S.CER C1608 CH 1H 050B-T | T | 28.6/58.9 |
| C2452 | 4030009540 | S.CER C1608 CH 1H 1R5B-T | T | 28.6/62.5 |
| C2453 | 4030009920 | S.CER C1608 CH 1H 050B-T | T | 28.6/60.1 |
| C2454 | 4030006980 | S.CER C1608 CH 1H 070D-T | T | 26.7/61.8 |
| C2455 | 4030009350 | S.CER C1608 CH 1H 3R5B-T | T | 24.3/61.8 |
| C2456 | 4030006980 | S.CER C1608 CH 1H 070D-T | T | 25.5/61.8 |
| C2457 | 4030009910 | S.CER C1608 CH 1H 040B-T | T | 25.1/58.6 |
| C2458 | 4030009910 | S.CER C1608 CH 1H 040B-T | T | 25.1/59.8 |
| C2471 | 4030006980 | S.CER C1608 CH 1H 070D-T | T | 23.1/59.2 |
| C2472 | 4030011600 | S.CER C1608 JB 1E 104K-T | B | 20.9/54.5 |
| C2473 | 4030006860 | S.CER C1608 JB 1H 102K-T | B | 21.6/55.8 |
| C2474 | 4030006900 | S.CER C1608 JB 1H 103K-T | B | 16.9/68.1 |
| C2475 | 4030011770 | S.CER C1608 CH 1H 060B-T | T | 25.4/57.4 |
| C2491 | 4030007030 | S.CER C1608 CH 1H 150J-T | T | 18.3/64.5 |
| C2492 | 4030011770 | S.CER C1608 CH 1H 060B-T | T | 15.7/65.7 |
| C2493 | 4030007110 | S.CER C1608 CH 1H 680J-T | T | 15.7/63.3 |
| C2494 | 4030007020 | S.CER C1608 CH 1H 120J-T | T | 15.7/62.1 |
| C2511 | 4030006860 | S.CER C1608 JB 1H 102K-T | T | 67.0/46.1 |
| C2521 | 4030006860 | S.CER C1608 JB 1H 102K-T | T | 65.1/49.1 |
| C2522 | 4030006880 | S.CER C1608 JB 1H 472K-T | B | 64.0/47.0 |
| C2523 | 4030006990 | S.CER C1608 CH 1H 080D-T | B | 64.0/48.5 |
| C2524 | 4030006880 | S.CER C1608 JB 1H 472K-T | B | 71.4/53.9 |
| C2525 | 4030006880 | S.CER C1608 JB 1H 472K-T | B | 73.0/59.8 |
| C2526 | 4030007030 | S.CER C1608 CH 1H 150J-T | B | 66.6/58.1 |
| C2551 | 4030007080 | S.CER C1608 CH 1H 390J-T | T | 72.2/59.1 |
| C2552 | 4030007020 | S.CER C1608 CH 1H 120J-T | T | 72.2/61.6 |
| C2553 | 4030007080 | S.CER C1608 CH 1H 390J-T | T | 74.0/58.4 |
| C2562 | 4030011340 | S.CER C1608 CH 1H 471J-T | T | 48.6/61.6 |
| C2570 | 4030009540 | S.CER C1608 CH 1H 1R5B-T | T | 38.9/58.8 |
| C2571 | 4030009540 | S.CER C1608 CH 1H 1R5B-T | T | 40.1/58.8 |
| C2572 | 4030007010 | S.CER C1608 CH 1H 100D-T | T | 40.9/60.7 |
| C2573 | 4030006990 | S.CER C1608 CH 1H 080D-T | T | 42.4/59.2 |
| C2574 | 4030009920 | S.CER C1608 CH 1H 050B-T | T | 44.1/61.1 |
| C2575 | 4030007010 | S.CER C1608 CH 1H 100D-T | T | 45.9/59.2 |
| C2576 | 4030009910 | S.CER C1608 CH 1H 040B-T | T | 45.9/61.6 |
| C2577 | 4030007010 | S.CER C1608 CH 1H 100D-T | T | 47.8/59.7 |
| C2580 | 4030011340 | S.CER C1608 CH 1H 471J-T | B | 6.2/52.9 |
| C2581 | 4030011340 | S.CER C1608 CH 1H 471J-T | B | 40.5/57.3 |
| C2582 | 4030009530 | S.CER C1608 CH 1H 030B-T | T | 9.9/72.1 |
| C2583 | 4030011780 | S.CER C1608 CH 1H 102J-T | T | 15.9/70.9 |
| C2584 | 4030009570 | S.CER C1608 CH 1H 0R3B-T | T | 9.9/70.9 |
| C2585 | 4030011340 | S.CER C1608 CH 1H 471J-T | B | 17.8/71.4 |
| C2587 | 4030011780 | S.CER C1608 CH 1H 102J-T | T | 14.5/69.0 |
| C2588 | 4030009550 | S.CER C1608 CH 1H 2R5B-T | T | 9.1/69.0 |
| C2589 | 4030011780 | S.CER C1608 CH 1H 102J-T | B | 12.4/66.0 |
| C2590 | 4030011340 | S.CER C1608 CH 1H 471J-T | T | 9.6/64.2 |
| C2591 | 4030011780 | S.CER C1608 CH 1H 102J-T | B | 12.0/62.7 |
| C2592 | 4030006860 | S.CER C1608 JB 1H 102K-T | T | 8.3/64.2 |
| C2593 | 4030009510 | S.CER C1608 CH 1H 010B-T | T | 10.7/60.4 |
| C2594 | 4030011780 | S.CER C1608 CH 1H 102J-T | T | 12.6/59.6 |
| C2595 | 4030009500 | S.CER C1608 CH 1H 0R5B-T | T | 14.5/59.7 |
| C2596 | 4030011340 | S.CER C1608 CH 1H 471J-T | B | 6.9/55.5 |
| C2598 | 4030011780 | S.CER C1608 CH 1H 102J-T | T | 14.5/58.5 |
| C2599 | 4030009520 | S.CER C1608 CH 1H 020B-T | T | 15.7/60.9 |
| C2601 | 4030011340 | S.CER C1608 CH 1H 471J-T | B | 61.8/72.4 |
| C2602 | 4030011340 | S.CER C1608 CH 1H 471J-T | B | 50.9/77.5 |
| C2603 | 4030011340 | S.CER C1608 CH 1H 471J-T | T | 57.8/76.3 |
| C2604 | 4030011340 | S.CER C1608 CH 1H 471J-T | T | 56.4/80.4 |
| C2605 | 4030011340 | S.CER C1608 CH 1H 471J-T | B | 50.8/81.2 |
| C2606 | 4030011340 | S.CER C1608 CH 1H 471J-T | B | 58.6/83.1 |
| C2607 | 4030009510 | S.CER C1608 CH 1H 010B-T | T | 11.7/71.7 |
| C2608 | 4030009510 | S.CER C1608 CH 1H 010B-T | | |

RF-B UNIT]

| REF NO. | PARTS NO. | DESCRIPTION | M. | H/V LOCATION |
|---------|------------|-----------------------------|----|--------------|
| C2802 | 4030006880 | S.CER C1608 JB 1H 472K-T | T | 83.5/77.9 |
| C2803 | 4030011340 | S.CER C1608 CH 1H 471J-T | T | 84.7/77.9 |
| C2804 | 4030009920 | S.CER C1608 CH 1H 050B-T | T | 85.7/82.2 |
| C2805 | 4030006860 | S.CER C1608 JB 1H 102K-T | T | 87.0/90.3 |
| C2807 | 4030011340 | S.CER C1608 CH 1H 471J-T | B | 84.2/88.7 |
| C2808 | 4030006860 | S.CER C1608 JB 1H 102K-T | T | 83.2/87.4 |
| C2831 | 4030006990 | S.CER C1608 CH 1H 080D-T | T | 91.1/83.8 |
| C2832 | 4030009510 | S.CER C1608 CH 1H 010B-T | T | 93.6/83.8 |
| C2833 | 4030006990 | S.CER C1608 CH 1H 080D-T | T | 90.4/85.6 |
| C2834 | 4030011340 | S.CER C1608 CH 1H 471J-T | T | 94.9/86.4 |
| J1 | 6510020001 | S.CON 52808-3071(3090) | T | 80.3/14.6 |
| J52 | 6510019981 | S.CON 52808-1671(1690) | T | 22.7/90.7 |
| J101 | 6510014961 | S.CON B2B-ZR-SM4-TF(LF)(SN) | T | 136.7/18.5 |
| J201 | 6510028210 | CON SJ050010 (TMP-J01X-V6) | | |
| J381 | 6510028210 | CON SJ050010 (TMP-J01X-V6) | | |
| J501 | 6510019371 | S.CON B3B-ZR-SM4-TF(LF)(SN) | T | 15.9/15.9 |
| J601 | 6510028210 | CON SJ050010 (TMP-J01X-V6) | | |
| J1351 | 6510028210 | CON SJ050010 (TMP-J01X-V6) | | |
| J1491 | 6510028210 | CON SJ050010 (TMP-J01X-V6) | | |
| J1751 | 6510028210 | CON SJ050010 (TMP-J01X-V6) | | |
| J2351 | 6510028210 | CON SJ050010 (TMP-J01X-V6) | | |
| J2491 | 6510028210 | CON SJ050010 (TMP-J01X-V6) | | |
| EP1 | 6910014730 | S.BEA MPZ2012S331A-T | T | 93.1/10.0 |
| EP2 | 6910015970 | S.BEA MMZ1608B 301CT-AS | T | 91.5/10.0 |
| EP3 | 6910015970 | S.BEA MMZ1608B 301CT-AS | T | 90.2/10.0 |
| EP4 | 6910015970 | S.BEA MMZ1608B 301CT-AS | T | 88.9/10.0 |
| EP5 | 6910015970 | S.BEA MMZ1608B 301CT-AS | T | 86.3/10.0 |
| EP6 | 6910015970 | S.BEA MMZ1608B 301CT-AS | T | 87.6/10.0 |
| EP51 | 6910014730 | S.BEA MPZ2012S331A-T | T | 10.6/88.9 |
| EP62 | 6910019900 | S.BEA MPZ1608S601AT | B | 21.2/88.4 |
| EP81 | 6910012350 | S.BEA MMZ1608Y 102BT | T | 6.3/51.5 |
| EP201 | 6910012350 | S.BEA MMZ1608Y 102BT | B | 149.1/27.5 |
| EP601 | 6910012350 | S.BEA MMZ1608Y 102BT | B | 9.0/48.1 |
| EP731 | 6910002161 | CAS CASE-BM7H-LF | | |
| EP732 | 6910002161 | CAS CASE-BM7H-LF | | |
| EP1051 | 6910002161 | CAS CASE-BM7H-LF | | |
| EP1052 | 6910012350 | S.BEA MMZ1608Y 102BT | B | 116.5/51.8 |
| EP1261 | 6910015970 | S.BEA MMZ1608B 301CT-AS | T | 148.5/84.2 |
| EP1521 | 6910015970 | S.BEA MMZ1608B 301CT-AS | B | 85.9/72.7 |
| EP2261 | 6910015970 | S.BEA MMZ1608B 301CT-AS | B | 39.2/78.1 |
| EP2421 | 6910012350 | S.BEA MMZ1608Y 102BT | B | 30.5/56.3 |
| EP2422 | 6910012350 | S.BEA MMZ1608Y 102BT | B | 29.8/57.9 |
| EP2521 | 6910015970 | S.BEA MMZ1608B 301CT-AS | T | 67.9/52.3 |
| EP2591 | 6910012350 | S.BEA MMZ1608Y 102BT | B | 6.8/62.7 |

[PA-A UNIT]

| REF NO. | PARTS NO. | DESCRIPTION | M. | H/V LOCATION |
|---------|------------|----------------------------------|----|--------------|
| IC121 | 1180001072 | S.IC TA7805F(TE16L1NQ) | B | 51.4/99.4 |
| IC301 | 1110003800 | S.IC NJM2904V-TE1-#FMZB | T | 64.0/11.0 |
| IC371 | 1110003800 | S.IC NJM2904V-TE1-#FMZB | T | 24.9/57.9 |
| IC431 | 1110006680 | S.IC BH2221FV-E2 | T | 21.6/47.7 |
| IC432 | 1130011760 | S.IC CD4094BPWR | T | 190.5/118.5 |
| Q51 | 1590003680 | S.TRA KRC402 RTK/P | B | 85.9/76.9 |
| Q201 | 1560001241 | S.FET RD01MUS1-T113 | T | 15.3/15.5 |
| Q221 | 1560001530 | FET RD15HVF1-101 | | |
| Q222 | 1560001530 | FET RD15HVF1-101 | | |
| Q241 | 1560001640 | FET RD100HHF1C-103 | | |
| Q242 | 1560001640 | FET RD100HHF1C-103 | | |
| Q1251 | 1590003680 | S.TRA KRC402 RTK/P | T | 205.5/120.0 |
| Q1252 | 1590003770 | S.TRA KRA302E-RTK/P | T | 205.5/117.2 |
| Q1253 | 1590003680 | S.TRA KRC402 RTK/P | T | 200.3/120.0 |
| Q1254 | 1590003770 | S.TRA KRA302E-RTK/P | T | 200.3/117.2 |
| Q1255 | 1590003680 | S.TRA KRC402 RTK/P | T | 195.1/120.0 |
| Q1256 | 1590003770 | S.TRA KRA302E-RTK/P | T | 195.1/117.2 |
| Q1257 | 1590003680 | S.TRA KRC402 RTK/P | T | 197.7/120.0 |
| Q1258 | 1590003770 | S.TRA KRA302E-RTK/P | T | 197.7/117.2 |
| Q1259 | 1590003680 | S.TRA KRC402 RTK/P | T | 208.1/120.0 |
| Q1260 | 1590003770 | S.TRA KRA302E-RTK/P | T | 208.1/117.2 |
| Q1261 | 1590003680 | S.TRA KRC402 RTK/P | T | 210.7/120.0 |
| Q1262 | 1590003770 | S.TRA KRA302E-RTK/P | T | 210.7/117.2 |
| Q1263 | 1590003680 | S.TRA KRC402 RTK/P | T | 202.9/120.0 |
| Q1264 | 1590003770 | S.TRA KRA302E-RTK/P | T | 202.9/117.2 |
| D1 | 1790000700 | DIO DSA3A1 | | |
| D2 | 1790000700 | DIO DSA3A1 | | |
| D3 | 1790000700 | DIO DSA3A1 | | |
| D51 | 1750001320 | S.DIO KDS4148U RTK/P | B | 89.4/79.1 |
| D244 | 1750002020 | S.DIO DA2S10100L | T | 79.1/57.1 |
| D245 | 1750002020 | S.DIO DA2S10100L | T | 79.1/9.8 |
| D351 | 1750002020 | S.DIO DA2S10100L | T | 28.3/10.1 |
| D352 | 1750002020 | S.DIO DA2S10100L | T | 29.8/43.4 |
| D353 | 1750002020 | S.DIO DA2S10100L | T | 60.8/18.0 |
| D354 | 1750002020 | S.DIO DA2S10100L | T | 67.2/18.0 |
| D371 | 1790001241 | S.DIO MA2S7280GL | T | 26.7/53.5 |
| D372 | 1790001241 | S.DIO MA2S7280GL | T | 21.5/53.5 |
| D551 | 1750001320 | S.DIO KDS4148U RTK/P | T | 226.5/104.6 |
| D651 | 1750001320 | S.DIO KDS4148U RTK/P | T | 239.0/97.0 |
| D751 | 1750001320 | S.DIO KDS4148U RTK/P | B | 243.8/76.7 |
| D851 | 1750001320 | S.DIO KDS4148U RTK/P | B | 243.0/60.6 |
| D951 | 1750001320 | S.DIO KDS4148U RTK/P | B | 243.9/44.6 |
| D1051 | 1750001320 | S.DIO KDS4148U RTK/P | B | 243.9/33.1 |
| D1151 | 1750001320 | S.DIO KDS4148U RTK/P | B | 244.7/18.5 |
| L1 | 6140003440 | COI LR-386 (FK-100E-5003H) [USA] | | |
| | 6140003440 | COI LR-386 (FK-100E-5003H) [TPE] | | |
| | 6140003440 | COI LR-386 (FK-100E-5003H) [KOR] | | |
| | 6140003440 | COI LR-386 (FK-100E-5003H) [CHN] | | |
| | 6140003440 | COI LR-386 (FK-100E-5003H) [EXP] | | |
| L2 | 6140003440 | COI LR-386 (FK-100E-5003H) [USA] | | |
| | 6140003440 | COI LR-386 (FK-100E-5003H) [TPE] | | |
| | 6140003440 | COI LR-386 (FK-100E-5003H) [KOR] | | |
| | 6140003440 | COI LR-386 (FK-100E-5003H) [CHN] | | |
| | 6140003440 | COI LR-386 (FK-100E-5003H) [EXP] | | |
| L202 | 6140002220 | COI LR-270 (TR6X3X2 3A9) | | |
| L203 | 6140002350 | COI LR-274 (RIB4X7X5 3A6) | | |
| L221 | 6140004690 | COI LR-530 <KN> | | |
| L241 | 6140003590 | COI LR-400 (TR10X5X5 6H3) | | |
| L242 | 6140004700 | COI LR-529 | | |
| L281 | 6140004570 | COI LR-507 | | |
| L431 | 6200005011 | S.COI NLV25T-100J | B | 71.55/135.7 |
| L432 | 6200005011 | S.COI NLV25T-100J | T | 184.6/119.9 |
| L461 | 6200003241 | S.COI NLV32T-221J | T | 177.1/83.8 |
| L462 | 6200003241 | S.COI NLV32T-221J | T | 182.3/78.2 |
| L501 | 6140001240 | COI LR-149 (T68-2) | | |
| L502 | 6140001130 | COI LR-138 (T68-2) | | |
| L601 | 6140001160 | COI LR-141 (T68-2) | | |
| L602 | 6140001160 | COI LR-141 (T68-2) | | |
| L603 | 6140001160 | COI LR-141 (T68-2) | | |
| L701 | 6110003570 | COI LA-550 | | |
| L702 | 6110003540 | COI LA-548 (LA-215A) | | |
| L703 | 6110003550 | COI LA-547 (LA-214A) | | |
| L801 | 6140001990 | COI LR-226 (T68-2) | | |
| L802 | 6140002000 | COI LR-227 (T68-2) | | |
| L901 | 6140005080 | COI LR-563 | | |
| L902 | 6140003460 | COI LR-388 (T50-10) | | |
| L903 | 6140005070 | COI LR-562 | | |
| L1001 | 6140001810 | COI LR-217 (T50-10) | | |
| L1002 | 6140005090 | COI LR-564 | | |
| L1003 | 6140005100 | COI LR-565 | | |
| L1051 | 6200005051 | S.COI NLV25T-330J | B | 182.5/19.5 |
| L1101 | 6110002920 | COI LA-481 | | |
| L1102 | 6110002910 | COI LA-480 | | |
| R1 | 7030011240 | S.RES LRF3W-LF-01-R020F | T | 108.8/81.2 |
| R2 | 7030011240 | S.RES LRF3W-LF-01-R020F | T | 108.8/74.2 |
| R121 | 7030010260 | S.RES ERJ1TYJ 3R3 U | T | 28.2/97.9 |
| R201 | 7030003370 | S.RES ERJ3GEYJ 271 V (270) | T | 9.4/11.0 |
| R202 | 7030003230 | S.RES ERJ3GEYJ 180 V (18) | T | 10.2/8.9 |
| R203 | 7030003370 | S.RES ERJ3GEYJ 271 V (270) | T | 12.8/7.4 |
| R204 | 7030000010 | S.RES MCR10EZHZ JPW (000) | T | 13.6/10.7 |
| R205 | 7030003510 | S.RES ERJ3GEYJ 392 V (3.9K) | T | 12.3/19.3 |
| R206 | 7030003410 | S.RES ERJ3GEYJ 561 V (560) | T | 15.8/24.1 |
| R207 | 7030006210 | S.RES ERJ12YJ4R7U (4.7) | T | 22.6/10.8 |
| R208 | 7030008180 | S.RES ERJ12YJ331U (330) | T | 19.5/22.4 |
| R221 | 7030008240 | S.RES ERJ12Y0R00U | T | 30.2/32.4 |
| R222 | 7030008240 | S.RES ERJ12Y0R00U | T | 30.2/16.8 |
| R223 | 7030010480 | S.RES ERJ1TYJ 181U (180) | T | 39.5/34.7 |

M.=Mounted side (T: Mounted on the Top side, B: Mounted on the Bottom side)
S.=Surface mount

[PA-A UNIT]

| REF NO. | PARTS NO. | DESCRIPTION | M. | H/V LOCATION |
|---------|------------|-------------------------------------|----|--------------|
| R224 | 7030010480 | S.RES ERJ1TYJ 181U (180) | T | 39.5/6.6 |
| R225 | 7030003480 | S.RES ERJ3GEYJ 222 V (2.2K) | T | 31.3/43.1 |
| R226 | 7030003480 | S.RES ERJ3GEYJ 222 V (2.2K) | T | 31.3/6.2 |
| R242 | 7030010250 | S.RES ERJ1TYJ 0R00U | T | 82.5/39.8 |
| R243 | 7030010250 | S.RES ERJ1TYJ 0R00U | T | 82.5/27.2 |
| R244 | 7030003510 | S.RES ERJ3GEYJ 392 V (3.9K) | T | 80.0/54.8 |
| R245 | 7030003510 | S.RES ERJ3GEYJ 392 V (3.9K) | T | 80.0/12.2 |
| R246 | 7030011130 | S.RES ERJ1TYJ 1R0U (1) | T | 89.9/53.6 |
| R247 | 7030011130 | S.RES ERJ1TYJ 1R0U (1) | T | 89.9/13.5 |
| R248 | 7030010610 | S.RES ERJ1TYJ 470U (47) | T | 93.4/38.5 |
| R249 | 7030010610 | S.RES ERJ1TYJ 470U (47) | T | 97.4/38.5 |
| R250 | 7030010610 | S.RES ERJ1TYJ 470U (47) | T | 97.4/28.5 |
| R251 | 7030010610 | S.RES ERJ1TYJ 470U (47) | T | 93.4/28.5 |
| R281 | 7030010250 | S.RES ERJ1TYJ 0R00U | T | 142.4/56.9 |
| R283 | 7030010570 | S.RES ERJ1TYJ 4R7U (4.7) | T | 153.0/61.7 |
| R284 | 7030010570 | S.RES ERJ1TYJ 4R7U (4.7) | T | 156.7/61.7 |
| R301 | 7030003680 | S.RES ERJ3GEYJ 104 V (100K) | T | 61.5/8.1 |
| R302 | 7030003680 | S.RES ERJ3GEYJ 104 V (100K) | T | 66.4/8.1 |
| R303 | 7030003650 | S.RES ERJ3GEYJ 563 V (56K) | T | 58.9/9.2 |
| R304 | 7030003680 | S.RES ERJ3GEYJ 104 V (100K) | T | 57.6/9.2 |
| R305 | 7030003650 | S.RES ERJ3GEYJ 563 V (56K) | T | 69.1/9.2 |
| R306 | 7030003680 | S.RES ERJ3GEYJ 104 V (100K) | T | 70.4/9.2 |
| R307 | 7030003650 | S.RES ERJ3GEYJ 563 V (56K) | T | 58.9/12.0 |
| R308 | 7030003650 | S.RES ERJ3GEYJ 563 V (56K) | T | 69.1/12.0 |
| R309 | 7030003400 | S.RES ERJ3GEYJ 471 V (470) | T | 58.9/14.8 |
| R310 | 7030003400 | S.RES ERJ3GEYJ 471 V (470) | T | 69.1/14.8 |
| R311 | 7030003320 | S.RES ERJ3GEYJ 101 V (100) | B | 65.5/12.0 |
| R341 | 7030005981 | S.RES ERA3YED 333V (33K) | B | 116.1/82.8 |
| R342 | 7030005971 | S.RES ERA3YKD 683V (68K) | B | 120.8/81.3 |
| R343 | 7030011240 | S.RES LRF3W-LF-01-R020F | B | 112.3/88.4 |
| R344 | 7030005981 | S.RES ERA3YED 333V (33K) | B | 112.2/84.0 |
| R345 | 7030005971 | S.RES ERA3YKD 683V (68K) | B | 114.3/81.7 |
| R346 | 7030009661 | S.RES ERA3YED 121V (12) | B | 118.4/82.1 |
| R351 | 7030003310 | S.RES ERJ3GEYJ 820 V (820) | T | 12.3/20.6 |
| R352 | 7030003450 | S.RES ERJ3GEYJ 122 V (1.2K) | T | 12.3/21.9 |
| R353 | 7030003440 | S.RES ERJ3GEYJ 102 V (1K) | T | 21.8/8.0 |
| R354 | 7030000220 | S.RES MCR10EZHJ 47 (470) | T | 30.3/8.2 |
| R355 | 7030000220 | S.RES MCR10EZHJ 47 (470) | T | 30.3/41.0 |
| R356 | 7030010950 | S.RES ERJ1TYJ 100U (10) | T | 61.4/47.4 |
| R357 | 7030010610 | S.RES ERJ1TYJ 470U (47) | T | 77.7/16.3 |
| R358 | 7030010610 | S.RES ERJ1TYJ 470U (47) | T | 77.7/50.7 |
| R359 | 7030003860 | S.RES ERJ3GE JPW V | T | 82.0/5.6 |
| R360 | 7030003460 | S.RES ERJ3GEYJ 152 V (1.5K) | T | 83.8/7.7 |
| R361 | 7510001551 | S.THE NTCG16 4LH 333JT | T | 95.1/6.2 |
| R362 | 7030005971 | S.RES ERA3YKD 683V (68K) | B | 108.8/79.5 |
| R363 | 7030005981 | S.RES ERA3YED 333V (33K) | B | 112.7/77.1 |
| R364 | 7030007661 | S.RES ERA3YED 331V (330) | B | 109.6/77.1 |
| R365 | 7030005971 | S.RES ERA3YKD 683V (68K) | B | 105.6/81.1 |
| R366 | 7030005981 | S.RES ERA3YED 333V (33K) | B | 106.8/78.0 |
| R367 | 7030003370 | S.RES ERJ3GEYJ 271 V (270) | T | 85.1/9.2 |
| R368 | 7030003510 | S.RES ERJ3GEYJ 392 V (3.9K) | T | 84.3/4.1 |
| R371 | 7030005981 | S.RES ERA3YED 333V (33K) | T | 30.3/59.0 |
| R372 | 7030003820 | S.RES ERJ3GEYJ 155 V (1.5M) | T | 30.3/60.3 |
| R373 | 7030005981 | S.RES ERA3YED 333V (33K) | T | 32.1/56.9 |
| R374 | 7030003820 | S.RES ERJ3GEYJ 155 V (1.5M) | T | 29.5/56.9 |
| R375 | 7030003500 | S.RES ERJ3GEYJ 332 V (3.3K) | T | 29.9/54.8 |
| R377 | 7030003320 | S.RES ERJ3GEYJ 101 V (100) | T | 23.2/55.2 |
| R381 | 7030008141 | S.RES ERA3YKD 224V (220K) | T | 19.6/59.8 |
| R382 | 7030005521 | S.RES ERA3YKD 334V (330K) | T | 23.9/60.6 |
| R383 | 7030008141 | S.RES ERA3YKD 224V (220K) | T | 17.7/57.7 |
| R384 | 7030003750 | S.RES ERJ3GEYJ 394 V (390K) | T | 20.3/57.7 |
| R385 | 7030003500 | S.RES ERJ3GEYJ 332 V (3.3K) | T | 19.9/55.6 |
| R386 | 7030003560 | S.RES ERJ3GEYJ 103 V (10K) | B | 13.7/25.2 |
| R401 | 7030003360 | S.RES ERJ3GEYJ 221 V (220) | T | 11.1/26.5 |
| R404 | 7030003360 | S.RES ERJ3GEYJ 221 V (220) | B | 52.2/46.3 |
| R405 | 7030003360 | S.RES ERJ3GEYJ 221 V (220) | B | 51.8/48.5 |
| R406 | 7030003360 | S.RES ERJ3GEYJ 221 V (220) | B | 50.2/46.3 |
| R407 | 7030003360 | S.RES ERJ3GEYJ 221 V (220) | T | 35.0/35.5 |
| R409 | 7030003360 | S.RES ERJ3GEYJ 221 V (220) | T | 45.1/71.6 |
| R410 | 7030003360 | S.RES ERJ3GEYJ 221 V (220) | T | 11.1/38.2 |
| R411 | 7030003360 | S.RES ERJ3GEYJ 221 V (220) | T | 11.1/39.5 |
| R412 | 7030003360 | S.RES ERJ3GEYJ 221 V (220) | T | 11.1/36.9 |
| R413 | 7030003360 | S.RES ERJ3GEYJ 221 V (220) | T | 11.1/34.3 |
| R414 | 7030003860 | S.RES ERJ3GE JPW V | T | 17.4/61.5 |
| R551 | 7030003360 | S.RES ERJ3GEYJ 221 V (220) | T | 220.5/107.6 |
| R552 | 7030003360 | S.RES ERJ3GEYJ 221 V (220) | T | 220.5/108.9 |
| R651 | 7030003360 | S.RES ERJ3GEYJ 221 V (220) | B | 235.0/97.9 |
| R652 | 7030003360 | S.RES ERJ3GEYJ 221 V (220) | B | 233.4/97.9 |
| R751 | 7030003360 | S.RES ERJ3GEYJ 221 V (220) | B | 244.4/81.0 |
| R752 | 7030003360 | S.RES ERJ3GEYJ 221 V (220) | B | 244.4/82.6 |
| R851 | 7030003360 | S.RES ERJ3GEYJ 221 V (220) | B | 244.3/65.1 |
| R852 | 7030003360 | S.RES ERJ3GEYJ 221 V (220) | B | 244.3/66.7 |
| R951 | 7030003360 | S.RES ERJ3GEYJ 221 V (220) | B | 244.8/46.5 |
| R952 | 7030003360 | S.RES ERJ3GEYJ 221 V (220) | B | 244.8/48.1 |
| R1051 | 7030003360 | S.RES ERJ3GEYJ 221 V (220) | B | 244.1/36.8 |
| R1052 | 7030003360 | S.RES ERJ3GEYJ 221 V (220) | B | 244.1/38.4 |
| R1151 | 7030003360 | S.RES ERJ3GEYJ 221 V (220) | B | 244.3/22.0 |
| R1152 | 7030003360 | S.RES ERJ3GEYJ 221 V (220) | B | 244.3/23.6 |
| C1 | 4560000170 | CER D67X5T 1E 684M51 (MARUWA) [USA] | | |
| | 4560000170 | CER D67X5T 1E 684M51 (MARUWA) [TPE] | | |
| | 4560000170 | CER D67X5T 1E 684M51 (MARUWA) [KOR] | | |
| | 4560000170 | CER D67X5T 1E 684M51 (MARUWA) [CHN] | | |
| | 4560000170 | CER D67X5T 1E 684M51 (MARUWA) [EXP] | | |
| C2 | 4030018980 | S.CER C1608 JB 1H 104K-T [USA] | T | 177.6/102.1 |
| | 4030018980 | S.CER C1608 JB 1H 104K-T [TPE] | | |
| | 4030018980 | S.CER C1608 JB 1H 104K-T [KOR] | | |
| | 4030018980 | S.CER C1608 JB 1H 104K-T [CHN] | | |
| | 4030018980 | S.CER C1608 JB 1H 104K-T [EXP] | | |

[PA-A UNIT]

| REF NO. | PARTS NO. | DESCRIPTION | M. | H/V LOCATION |
|---------|------------|---------------------------------------|----|--------------|
| C3 | 4510009250 | S.ELE EEEFK1C471P [USA] | T | 127.0/107.0 |
| | 4510009250 | S.ELE EEEFK1C471P [TPE] | | |
| | 4510009250 | S.ELE EEEFK1C471P [KOR] | | |
| | 4510009250 | S.ELE EEEFK1C471P [CHN] | | |
| | 4510009250 | S.ELE EEEFK1C471P [EXP] | | |
| C4 | 4030004740 | S.CER C2012 JB 1H 472K-T [USA] | T | 132.2/101.4 |
| | 4030004740 | S.CER C2012 JB 1H 472K-T [TPE] | | |
| | 4030004740 | S.CER C2012 JB 1H 472K-T [KOR] | | |
| | 4030004740 | S.CER C2012 JB 1H 472K-T [CHN] | | |
| | 4030004740 | S.CER C2012 JB 1H 472K-T [EXP] | | |
| C5 | 4030004740 | S.CER C2012 JB 1H 472K-T [USA] | T | 132.2/112.6 |
| | 4030004740 | S.CER C2012 JB 1H 472K-T [TPE] | | |
| | 4030004740 | S.CER C2012 JB 1H 472K-T [KOR] | | |
| | 4030004740 | S.CER C2012 JB 1H 472K-T [CHN] | | |
| | 4030004740 | S.CER C2012 JB 1H 472K-T [EXP] | | |
| C8 | 4030018980 | S.CER C1608 JB 1H 104K-T | T | 92.6/116.0 |
| C9 | 4030007170 | S.CER C1608 CH 1H 221J-T | T | 92.6/114.4 |
| C10 | 4030006880 | S.CER C1608 JB 1H 472K-T | T | 92.5/89.0 |
| C11 | 4510009250 | S.ELE EEEFK1C471P | T | 85.2/99.7 |
| C12 | 4510009250 | S.ELE EEEFK1C471P | T | 85.2/90.9 |
| C13 | 4030005110 | S.CER C2012 JB 1E 473K-T | B | 96.2/107.0 |
| C51 | 4030006900 | S.CER C1608 JB 1H 103K-T | B | 82.3/78.9 |
| C52 | 4030011600 | S.CER C1608 JB 1E 104K-T | B | 85.9/79.1 |
| C53 | 4030006900 | S.CER C1608 JB 1H 103K-T | B | 89.3/81.0 |
| C121 | 4030019560 | S.CER GRM21BB31C106KE15L | B | 44.2/97.6 |
| C122 | 4030011600 | S.CER C1608 JB 1E 104K-T | B | 42.4/97.6 |
| C123 | 4030011600 | S.CER C1608 JB 1E 104K-T | B | 44.2/101.3 |
| C124 | 4030019560 | S.CER GRM21BB31C106KE15L | B | 42.4/101.2 |
| C201 | 4030007130 | S.CER C1608 CH 1H 101J-T | T | 8.9/9.8 |
| C204 | 4030017320 | S.CER GRM21BB11H104KA01 (GRM40-034) | T | 11.8/14.2 |
| C205 | 4030008960 | S.CER C2012 JB 1C 104K-T | T | 14.9/21.7 |
| C206 | 4030005110 | S.CER C2012 JB 1E 473K-T | T | 19.4/26.4 |
| C207 | 4030004720 | S.CER C2012 JB 1H 102K-T | T | 16.8/10.7 |
| C209 | 4030005110 | S.CER C2012 JB 1E 473K-T | T | 23.1/15.3 |
| C210 | 4030006860 | S.CER C1608 JB 1H 102K-T | B | 24.9/18.7 |
| C221 | 4030018530 | S.CER C3216 CH 1H 103J-T | T | 31.0/11.4 |
| C222 | 4030018530 | S.CER C3216 CH 1H 103J-T | T | 31.0/37.8 |
| C224 | 4030012490 | S.CER GRM31M1X2A472JZ01L (GRM42-6 SL) | T | 34.0/37.1 |
| C225 | 4030012490 | S.CER GRM31M1X2A472JZ01L (GRM42-6 SL) | T | 34.0/9.0 |
| C226 | 4030011550 | S.CER GRM31M2C2H680JV01L (GRM42-6 CH) | T | 49.5/33.5 |
| C227 | 4030014460 | S.CER GRM31M2C2H820JV01L (GRM42-6 CH) | T | 47.4/33.5 |
| C240 | 4030011210 | S.CER GRM31M2C2H330JV01L (GRM42-6 CH) | T | 84.0/33.5 |
| C243 | 4030011730 | S.CER GRM31M2C2H101JV01L (GRM42-6 CH) | T | 86.1/33.5 |
| C244 | 4030018750 | S.CER C3225 CH 2J 682K-T | T | 85.7/43.8 |
| C245 | 4030018750 | S.CER C3225 CH 2J 682K-T | T | 85.7/23.2 |
| C246 | 4030018750 | S.CER C3225 CH 2J 682K-T | T | 93.0/49.1 |
| C247 | 4030018750 | S.CER C3225 CH 2J 682K-T | T | 93.0/18.0 |
| C248 | 4030011550 | S.CER GRM31M2C2H680JV01L (GRM42-6 CH) | T | 124.8/58.0 |
| C249 | 4030011740 | S.CER GRM32N2C2H201JV01L (GRM42-2 CH) | T | 134.2/33.5 |
| C250 | 4030011550 | S.CER GRM31M2C2H680JV01L (GRM42-6 CH) | T | 124.8/9.1 |
| C251 | 4030011740 | S.CER GRM32N2C2H201JV01L (GRM42-2 CH) | T | 131.0/33.5 |
| C252 | 4030011740 | S.CER GRM32N2C2H201JV01L (GRM42-2 CH) | T | 127.8/33.5 |
| C253 | 4030011740 | S.CER GRM32N2C2H201JV01L (GRM42-2 CH) | T | 124.6/33.5 |
| | | | | 158.9/84.1 |
| C281 | 4510009250 | S.ELE EEEFK1C471P | T | 128.8/77.1 |
| C282 | 4510009250 | S.ELE EEEFK1C471P | T | 113.2/92.1 |
| C283 | 4030006880 | S.CER C1608 JB 1H 472K-T | T | 150.3/78.2 |
| C285 | 4030011600 | S.CER C1608 JB 1E 104K-T | T | 151.9/78.2 |
| C286 | 4030007170 | S.CER C1608 CH 1H 221J-T | T | 166.6/77.3 |
| C287 | 4510009250 | S.ELE EEEFK1C471P | T | 165.9/68.4 |
| C288 | 4510009250 | S.ELE EEEFK1C471P | B | 62.4/12.0 |
| C301 | 4030006900 | S.CER C1608 JB 1H 103K-T | T | 61.5/6.8 |
| C302 | 4030011600 | S.CER C1608 JB 1E 104K-T | T | 66.4/6.7 |
| C303 | 4030011600 | S.CER C1608 JB 1E 104K-T | B | 62.6/13.8 |
| C304 | 4030019560 | S.CER GRM21BB31C106KE15L | B | 4.5/46.7 |
| C305 | 4030019120 | S.CER GRM188B31E105KA75D | B | 122.4/81.3 |
| C341 | 4030006900 | S.CER C1608 JB 1H 103K-T | B | 112.7/81.7 |
| C342 | 4030006900 | S.CER C1608 JB 1H 103K-T | B | 11.6/23.8 |
| C351 | 4030008920 | S.CER C1608 JB 1H 473K-T | T | 25.6/13.7 |
| C353 | 4030011600 | S.CER C1608 JB 1E 104K-T | T | 30.5/48.8 |
| C355 | 4030008920 | S.CER C1608 JB 1H 473K-T | T | 64.9/50.7 |
| C356 | 4030008920 | S.CER C1608 JB 1H 473K-T | T | 63.5/50.7 |
| C357 | 4030008920 | S.CER C1608 JB 1H 473K-T | T | 61.5/14.1 |
| C358 | 4030006860 | S.CER C1608 JB 1H 102K-T | T | 61.5/15.5 |
| C361 | 4030011600 | S.CER C1608 JB 1E 104K-T | T | 66.5/14.1 |
| C362 | 4030006900 | S.CER C1608 JB 1H 103K-T | T | 87.7/32.6 |
| C363 | 4030006900 | S.CER C1608 JB 1H 103K-T | T | 46.9/32.2 |
| C364 | 4030011600 | S.CER C1608 JB 1E 104K-T | T | 44.2/27.9 |
| C366 | 4030011600 | S.CER C1608 JB 1E 104K-T | B | 62.6/23.8 |
| C367 | 4030011600 | S.CER C1608 JB 1E 104K-T | T | 59.9/28.0 |
| C368 | 4030006880 | S.CER C1608 JB 1H 472K-T | T | 57.9/32.2 |
| C369 | 4030006880 | S.CER C1608 JB 1H 472K-T | T | 58.65/61.75 |
| C372 | 4030006900 | S.CER C16 | | |

[PA-A UNIT]

| REF NO. | PARTS NO. | DESCRIPTION | M. | H/V LOCATION |
|---------|------------|---------------------------------------|----|--------------|
| C413 | 4030006900 | S.CER C1608 JB 1H 103K-T | B | 13.4/67.1 |
| C414 | 4030018960 | S.CER C3216 JB 1C 106MT-N | B | 13.8/69.1 |
| C415 | 4030006900 | S.CER C1608 JB 1H 103K-T | B | 13.4/75.1 |
| C417 | 4030006900 | S.CER C1608 JB 1H 103K-T | B | 14.2/65.5 |
| C419 | 4030006900 | S.CER C1608 JB 1H 103K-T | T | 14.7/31.7 |
| C420 | 4030006900 | S.CER C1608 JB 1H 103K-T | T | 14.7/33.0 |
| C431 | 4030006900 | S.CER C1608 JB 1H 103K-T | T | 30.9/49.4 |
| C432 | 4030011600 | S.CER C1608 JB 1E 104K-T | T | 29.5/49.4 |
| C433 | 4030006880 | S.CER C1608 JB 1H 472K-T | T | 186.5/120.3 |
| C463 | 4030006860 | S.CER C1608 JB 1H 102K-T | B | 173.7/77.8 |
| C464 | 4030006860 | S.CER C1608 JB 1H 102K-T | T | 174.3/80.8 |
| C465 | 4030006860 | S.CER C1608 JB 1H 102K-T | T | 173.0/80.8 |
| C503 | 4030011730 | S.CER GRM31M2C2H101JV01L (GRM42-6 CH) | B | 194.8/103.9 |
| C504 | 4030011730 | S.CER GRM31M2C2H101JV01L (GRM42-6 CH) | B | 192.4/103.9 |
| C505 | 4030012480 | S.CER GRM31M2C2H121JV01L (GRM42-6 CH) | T | 196.4/112.7 |
| C506 | 4030011180 | S.CER GRM31M2C2H220JV01L (GRM42-6 CH) | T | 196.4/110.6 |
| C507 | 4030011730 | S.CER GRM31M2C2H101JV01L (GRM42-6 CH) | T | 204.0/104.2 |
| C508 | 4030011730 | S.CER GRM31M2C2H101JV01L (GRM42-6 CH) | B | 209.1/104.5 |
| C509 | 4030011730 | S.CER GRM31M2C2H101JV01L (GRM42-6 CH) | B | 206.7/104.5 |
| C510 | 4030011730 | S.CER GRM31M2C2H101JV01L (GRM42-6 CH) | B | 210.7/100.4 |
| C511 | 4030011730 | S.CER GRM31M2C2H101JV01L (GRM42-6 CH) | B | 218.2/102.6 |
| C512 | 4030012480 | S.CER GRM31M2C2H121JV01L (GRM42-6 CH) | T | 216.1/96.5 |
| C513 | 4030011240 | S.CER GRM31M2C2H470JV01L (GRM42-6 CH) | T | 216.1/98.6 |
| C515 | 4030011740 | S.CER GRM32N2C2H201JV01L (GRM42-2 CH) | T | 191.7/110.1 |
| C517 | 4030011740 | S.CER GRM32N2C2H201JV01L (GRM42-2 CH) | T | 191.6/105.0 |
| C519 | 4030012480 | S.CER GRM31M2C2H121JV01L (GRM42-6 CH) | B | 198.1/100.4 |
| C520 | 4030012480 | S.CER GRM31M2C2H121JV01L (GRM42-6 CH) | B | 198.1/97.1 |
| C521 | 4030011200 | S.CER GRM31M2C2H300JV01L (GRM42-6 CH) | B | 198.1/94.7 |
| C522 | 4030011740 | S.CER GRM32N2C2H201JV01L (GRM42-2 CH) | T | 200.5/112.5 |
| C524 | 4030011200 | S.CER GRM31M2C2H300JV01L (GRM42-6 CH) | T | 204.0/106.3 |
| C525 | 4030011740 | S.CER GRM32N2C2H201JV01L (GRM42-2 CH) | T | 204.2/110.9 |
| C527 | 4030011200 | S.CER GRM31M2C2H300JV01L (GRM42-6 CH) | T | 204.0/108.4 |
| C528 | 4030011740 | S.CER GRM32N2C2H201JV01L (GRM42-2 CH) | B | 201.5/104.3 |
| C530 | 4030011200 | S.CER GRM31M2C2H300JV01L (GRM42-6 CH) | B | 204.3/104.5 |
| C531 | 4030011740 | S.CER GRM32N2C2H201JV01L (GRM42-2 CH) | T | 216.3/103.2 |
| C533 | 4030012480 | S.CER GRM31M2C2H121JV01L (GRM42-6 CH) | B | 215.8/102.6 |
| C534 | 4030012480 | S.CER GRM31M2C2H121JV01L (GRM42-6 CH) | B | 212.9/104.1 |
| C535 | 4030011200 | S.CER GRM31M2C2H300JV01L (GRM42-6 CH) | T | 216.1/100.7 |
| C551 | 4030006900 | S.CER C1608 JB 1H 103K-T | B | 179.3/92.5 |
| C552 | 4030006900 | S.CER C1608 JB 1H 103K-T | T | 228.1/104.3 |
| C601 | 4030012480 | S.CER GRM31M2C2H121JV01L (GRM42-6 CH) | B | 15.5/43.3 |
| C603 | 4030011730 | S.CER GRM31M2C2H101JV01L (GRM42-6 CH) | B | 201.05/81.1 |
| C604 | 4030011240 | S.CER GRM31M2C2H470JV01L (GRM42-6 CH) | B | 203.9/83.9 |
| C605 | 4030012480 | S.CER GRM31M2C2H121JV01L (GRM42-6 CH) | B | 210.6/86.7 |
| C606 | 4030012480 | S.CER GRM31M2C2H121JV01L (GRM42-6 CH) | B | 213.0/87.8 |
| C607 | 4030012480 | S.CER GRM31M2C2H121JV01L (GRM42-6 CH) | T | 45.8/17.0 |
| C608 | 4030011180 | S.CER GRM31M2C2H220JV01L (GRM42-6 CH) | B | 218.0/83.1 |
| C610 | 4030012480 | S.CER GRM31M2C2H121JV01L (GRM42-6 CH) | B | 221.7/89.4 |
| C611 | 4030011510 | S.CER GRM31M2C2H560JV01L (GRM42-6 CH) | T | 42.3/56.1 |
| C612 | 4030011230 | S.CER GRM31M2C2H390JV01L (GRM42-6 CH) | T | 37.8/56.1 |
| C614 | 4030012480 | S.CER GRM31M2C2H121JV01L (GRM42-6 CH) | B | 233.7/92.5 |
| C615 | 4030012480 | S.CER GRM31M2C2H121JV01L (GRM42-6 CH) | B | 236.1/91.1 |
| C616 | 4030012480 | S.CER GRM31M2C2H121JV01L (GRM42-6 CH) | B | 200.8/87.7 |
| C617 | 4030012480 | S.CER GRM31M2C2H121JV01L (GRM42-6 CH) | T | 195.1/85.9 |
| C619 | 4030012480 | S.CER GRM31M2C2H121JV01L (GRM42-6 CH) | B | 208.2/86.7 |
| C620 | 4030011230 | S.CER GRM31M2C2H390JV01L (GRM42-6 CH) | B | 205.8/86.7 |
| C621 | 4030011740 | S.CER GRM32N2C2H201JV01L (GRM42-2 CH) | B | 215.9/89.2 |
| C623 | 4030012480 | S.CER GRM31M2C2H121JV01L (GRM42-6 CH) | T | 223.1/86.4 |
| C624 | 4030012480 | S.CER GRM31M2C2H121JV01L (GRM42-6 CH) | B | 219.3/89.4 |

[PA-A UNIT]

| REF NO. | PARTS NO. | DESCRIPTION | M. | H/V LOCATION |
|---------|------------|---------------------------------------|----|--------------|
| C625 | 4030012480 | S.CER GRM31M2C2H121JV01L (GRM42-6 CH) | B | 226.5/89.4 |
| C626 | 4030011740 | S.CER GRM32N2C2H201JV01L (GRM42-2 CH) | T | 225.7/87.4 |
| C629 | 4030012480 | S.CER GRM31M2C2H121JV01L (GRM42-6 CH) | B | 228.9/93.7 |
| C651 | 4030006900 | S.CER C1608 JB 1H 103K-T | B | 179.8/85.9 |
| C652 | 4030006900 | S.CER C1608 JB 1H 103K-T | T | 238.7/98.5 |
| C702 | 4030011120 | S.CER GRM31M2C2H100JV01L (GRM42-6 CH) | B | 194.5/65.7 |
| C703 | 4030011170 | S.CER GRM31M2C2H180JV01L (GRM42-6 CH) | B | 202.0/63.3 |
| C705 | 4030011730 | S.CER GRM31M2C2H101JV01L (GRM42-6 CH) | B | 208.4/59.4 |
| C706 | 4030011140 | S.CER GRM31M2C2H120JV01L (GRM42-6 CH) | B | 203.6/59.4 |
| C707 | 4030011090 | S.CER GRM31M2C2H7R0DV01L (GRM42-6 CH) | B | 212.9/65.4 |
| C708 | 4030011240 | S.CER GRM31M2C2H470JV01L (GRM42-6 CH) | B | 225.3/69.9 |
| C709 | 4030011240 | S.CER GRM31M2C2H470JV01L (GRM42-6 CH) | B | 227.7/69.9 |
| C710 | 4030011140 | S.CER GRM31M2C2H120JV01L (GRM42-6 CH) | B | 231.6/73.8 |
| C711 | 4030011060 | S.CER GRM31M2C2H4R0CY21L (GRM42-6 CH) | B | 231.6/71.4 |
| C713 | 4030011210 | S.CER GRM31M2C2H330JV01L (GRM42-6 CH) | B | 233.8/64.5 |
| C714 | 4030006900 | S.CER C1608 JB 1H 103K-T | B | 243.6/79.1 |
| C751 | 4030006900 | S.CER C1608 JB 1H 103K-T | B | 180.9/71.5 |
| C801 | 4030018940 | S.CER GRM31A7U2J331JW31D | B | 192.2/53.7 |
| C802 | 4030018940 | S.CER GRM31A7U2J331JW31D | B | 194.6/53.7 |
| C803 | 4030018940 | S.CER GRM31A7U2J331JW31D | B | 197.0/53.7 |
| C804 | 4030018940 | S.CER GRM31A7U2J331JW31D | B | 199.4/53.7 |
| C805 | 4030018940 | S.CER GRM31A7U2J331JW31D | B | 199.4/48.1 |
| C806 | 4030011730 | S.CER GRM31M2C2H101JV01L (GRM42-6 CH) | B | 206.6/48.1 |
| C807 | 4030011550 | S.CER GRM31M2C2H680JV01L (GRM42-6 CH) | B | 204.2/48.1 |
| C808 | 4030018930 | S.CER GRM31A7U2J221JW31D | B | 212.1/51.2 |
| C809 | 4030018940 | S.CER GRM31A7U2J331JW31D | B | 214.5/51.2 |
| C810 | 4030018940 | S.CER GRM31A7U2J331JW31D | B | 216.9/51.7 |
| C811 | 4030018940 | S.CER GRM31A7U2J331JW31D | B | 219.3/51.7 |
| C812 | 4030012480 | S.CER GRM31M2C2H121JV01L (GRM42-6 CH) | B | 218.5/46.6 |
| C813 | 4030019410 | S.CER GRM31A7U2J471JW31D | T | 224.2/57.0 |
| C814 | 4030019410 | S.CER GRM31A7U2J471JW31D | T | 226.3/57.0 |
| C815 | 4030018940 | S.CER GRM31A7U2J331JW31D | T | 194.4/53.9 |
| C816 | 4030018940 | S.CER GRM31A7U2J331JW31D | T | 196.8/53.9 |
| C817 | 4030018940 | S.CER GRM31A7U2J331JW31D | T | 199.2/53.9 |
| C818 | 4030018940 | S.CER GRM31A7U2J331JW31D | T | 201.6/53.9 |
| C819 | 4030011550 | S.CER GRM31M2C2H680JV01L (GRM42-6 CH) | T | 192.3/53.9 |
| C820 | 4030011510 | S.CER GRM31M2C2H560JV01L (GRM42-6 CH) | B | 201.8/48.1 |
| C821 | 4030018940 | S.CER GRM31A7U2J331JW31D | B | 209.8/51.2 |
| C822 | 4030018940 | S.CER GRM31A7U2J331JW31D | T | 207.1/53.9 |
| C823 | 4030018940 | S.CER GRM31A7U2J331JW31D | T | 209.2/53.9 |
| C824 | 4030018940 | S.CER GRM31A7U2J331JW31D | T | 211.3/53.9 |
| C825 | 4030011510 | S.CER GRM31M2C2H560JV01L (GRM42-6 CH) | T | 213.4/53.9 |
| C826 | 4030018940 | S.CER GRM31A7U2J331JW31D | T | 229.6/58.1 |
| C827 | 4030018930 | S.CER GRM31A7U2J221JW31D | T | 231.7/58.1 |
| C828 | 4030011120 | S.CER GRM31M2C2H100JV01L (GRM42-6 CH) | T | 233.8/58.1 |
| C851 | 4030006900 | S.CER C1608 JB 1H 103K-T | B | 180.1/58.8 |
| C852 | 4030006900 | S.CER C1608 JB 1H 103K-T | B | 244.3/63.3 |
| C902 | 4030011730 | S.CER GRM31M2C2H101JV01L (GRM42-6 CH) | B | 204.8/29.7 |
| C903 | 4030011190 | S.CER GRM31M2C2H270JV01L (GRM42-6 CH) | B | 209.2/31.3 |
| C904 | 4030011050 | S.CER GRM31M3C2H3R0CY21L (GRM42-6 CJ) | B | 209.2/33.7 |
| C905 | 4030011730 | S.CER GRM31M2C2H101JV01L (GRM42-6 CH) | T | 216.8/33.7 |
| C906 | 4030011230 | S.CER GRM31M2C2H390JV01L (GRM42-6 CH) | T | 219.2/33.7 |
| C908 | 4030011090 | S.CER GRM31M2C2H7R0DV01L (GRM42-6 CH) | B | 229.2/48.0 |
| C910 | 4030011210 | S.CER GRM31M2C2H330JV01L (GRM42-6 CH) | B | 230.3/40.8 |
| C911 | 4030011140 | S.CER GRM31M2C2H120JV01L (GRM42-6 CH) | B | 232.7/40.8 |
| C912 | 4030011190 | S.CER GRM31M2C2H270JV01L (GRM42-6 CH) | B | 198.1/33.3 |
| C951 | 4030006900 | S.CER C1608 JB 1H 103K-T | B | 180.7/34.4 |
| C952 | 4030006900 | S.CER C1608 JB 1H 103K-T | B | 242.2/49.5 |
| C1001 | 4030011740 | S.CER GRM32N2C2H201JV01L (GRM42-2 CH) | T | 209.8/20.7 |
| C1002 | 4030011730 | S.CER GRM31M2C2H101JV01L (GRM42-6 CH) | B | 217.7/18.7 |
| C1003 | 4030011080 | S.CER GRM31M2C2H6R0DV01L (GRM42-6 CH) | B | 217.7/21.1 |
| C1004 | 4030014460 | S.CER GRM31M2C2H820JV01L (GRM42-6 CH) | B | 219.2/31.0 |
| C1005 | 4030012480 | S.CER GRM31M2C2H121JV01L (GRM42-6 CH) | B | 221.6/31.0 |
| C1007 | 4030011230 | S.CER GRM31M2C2H390JV01L (GRM42-6 CH) | B | 227.9/29.4 |
| C1008 | 4030014460 | S.CER GRM31M2C2H820JV01L (GRM42-6 CH) | T | 232.3/30.5 |
| C1011 | 4030011200 | S.CER GRM31M2C2H300JV01L (GRM42-6 CH) | B | 224.0/31.0 |
| C1051 | 4030006900 | S.CER C1608 JB 1H 103K-T | B | 179.5/23.0 |
| C1052 | 4030006900 | S.CER C1608 JB 1H 103K-T | B | 244.1/35.0 |

M.=Mounted side (T: Mounted on the Top side, B: Mounted on the Bottom side)
S.=Surface mount

[PA-A UNIT]

| REF NO. | PARTS NO. | DESCRIPTION | M. | H/V LOCATION |
|---------|------------|---------------------------------------|----|--------------|
| C1101 | 4030011730 | S.CER GRM31M2C2H101JV01L (GRM42-6 CH) | T | 199.4/5.0 |
| C1102 | 4030011210 | S.CER GRM31M2C2H330JV01L (GRM42-6 CH) | T | 199.4/2.9 |
| C1103 | 4030011170 | S.CER GRM31M2C2H180JV01L (GRM42-6 CH) | B | 208.0/8.6 |
| C1104 | 4030012480 | S.CER GRM31M2C2H121JV01L (GRM42-6 CH) | T | 215.2/5.3 |
| C1105 | 4030011730 | S.CER GRM31M2C2H101JV01L (GRM42-6 CH) | T | 217.6/5.3 |
| C1106 | 4030011120 | S.CER GRM31M2C2H100JV01L (GRM42-6 CH) | T | 220.0/5.3 |
| C1107 | 4030011240 | S.CER GRM31M2C2H470JV01L (GRM42-6 CH) | B | 227.8/9.2 |
| C1108 | 4030011730 | S.CER GRM31M2C2H101JV01L (GRM42-6 CH) | B | 231.7/7.0 |
| C1151 | 4030006900 | S.CER C1608 JB 1H 103K-T | B | 179.5/8.9 |
| C1152 | 4030006900 | S.CER C1608 JB 1H 103K-T | B | 245.1/20.4 |
| C1251 | 4030006900 | S.CER C1608 JB 1H 103K-T | T | 186.6/117.5 |
| C1252 | 4030006900 | S.CER C1608 JB 1H 103K-T | T | 205.5/122.2 |
| C1253 | 4030006900 | S.CER C1608 JB 1H 103K-T | T | 200.3/122.2 |
| C1254 | 4030006900 | S.CER C1608 JB 1H 103K-T | T | 195.1/122.2 |
| C1255 | 4030006900 | S.CER C1608 JB 1H 103K-T | T | 197.7/122.2 |
| C1256 | 4030006900 | S.CER C1608 JB 1H 103K-T | T | 208.1/122.2 |
| C1257 | 4030006900 | S.CER C1608 JB 1H 103K-T | T | 210.7/122.2 |
| C1258 | 4030006900 | S.CER C1608 JB 1H 103K-T | T | 202.9/122.2 |
| RL51 | 6330001471 | REL AJS1311F-K2 | | |
| RL501 | 6330001721 | REL ATN207-K1 | | |
| RL502 | 6330001721 | REL ATN207-K1 | | |
| RL601 | 6330001721 | REL ATN207-K1 | | |
| RL602 | 6330001721 | REL ATN207-K1 | | |
| RL701 | 6330001721 | REL ATN207-K1 | | |
| RL702 | 6330001721 | REL ATN207-K1 | | |
| RL801 | 6330001721 | REL ATN207-K1 | | |
| RL802 | 6330001721 | REL ATN207-K1 | | |
| RL901 | 6330001721 | REL ATN207-K1 | | |
| RL902 | 6330001721 | REL ATN207-K1 | | |
| RL1001 | 6330001721 | REL ATN207-K1 | | |
| RL1002 | 6330001721 | REL ATN207-K1 | | |
| RL1101 | 6330001721 | REL ATN207-K1 | | |
| RL1102 | 6330001721 | REL ATN207-K1 | | |
| CP361 | 6910009670 | S.CHE HK3-S-T | T | 87.9/3.7 |
| CP362 | 6910009670 | S.CHE HK3-S-T | T | 87.9/7.0 |
| J201 | 6510028210 | CON SJ050010 (TMP-J01X-V6) | | |
| J351 | 6510018921 | S.CON B8B-PH-SM4-TB(LF)(SN) | T | 124.5/89.3 |
| J401 | 6510020081 | S.CON 52808-2071(2090) | T | 6.5/31.0 |
| J402 | 6510020051 | S.CON B11B-PH-SM4-TB(LF)(SN) | T | 7.5/67.5 |
| J403 | 6510018921 | S.CON B8B-PH-SM4-TB(LF)(SN) | T | 7.5/99.9 |
| J451 | 6510014961 | S.CON B2B-ZR-SM4-TF(LF)(SN) | T | 22.8/119.6 |
| J462 | 6510018971 | S.CON B4B-PH-SM4-TB(LF)(SN) | T | 177.9/73.9 |
| J1201 | 6510028210 | CON SJ050010 (TMP-J01X-V6) | | |
| F1 | 5220000400 | HOL FHA010-01F | | |
| F3 | 5210000940 | FUS 1205 | | |
| W1 | 9062700030 | WIR 77/98/040/X98/X98 [EUR] | | |
| | 9062700030 | WIR 77/98/040/X98/X98 [EUR-01] | | |
| | 9062700030 | WIR 77/98/040/X98/X98 [ITR] | | |
| | 9062700030 | WIR 77/98/040/X98/X98 [ESP] | | |
| | 9062700030 | WIR 77/98/040/X98/X98 [FRA] | | |
| W2 | 9062700030 | WIR 77/98/040/X98/X98 [EUR] | | |
| | 9062700030 | WIR 77/98/040/X98/X98 [EUR-01] | | |
| | 9062700030 | WIR 77/98/040/X98/X98 [ITR] | | |
| | 9062700030 | WIR 77/98/040/X98/X98 [ESP] | | |
| | 9062700030 | WIR 77/98/040/X98/X98 [FRA] | | |
| W3 | 9062700030 | WIR 77/98/040/X98/X98 [EUR] | | |
| | 9062700030 | WIR 77/98/040/X98/X98 [EUR-01] | | |
| | 9062700030 | WIR 77/98/040/X98/X98 [ITR] | | |
| | 9062700030 | WIR 77/98/040/X98/X98 [ESP] | | |
| | 9062700030 | WIR 77/98/040/X98/X98 [FRA] | | |
| W4 | 9062700030 | WIR 77/98/040/X98/X98 [EUR] | | |
| | 9062700030 | WIR 77/98/040/X98/X98 [EUR-01] | | |
| | 9062700030 | WIR 77/98/040/X98/X98 [ITR] | | |
| | 9062700030 | WIR 77/98/040/X98/X98 [ESP] | | |
| | 9062700030 | WIR 77/98/040/X98/X98 [FRA] | | |
| EP1 | 6910020710 | E.O OT-047 M3 | | |
| EP2 | 6910020710 | E.O OT-047 M3 | | |
| EP3 | 6910020710 | E.O OT-047 M3 | | |
| EP4 | 6910020710 | E.O OT-047 M3 | | |
| EP351 | 6910012350 | S.BEA MMZ1608Y 102BT | T | 22.8/13.7 |
| EP352 | 6910019200 | S.BEA N2012ZPS121T50 | T | 60.0/44.7 |
| EP353 | 6910019200 | S.BEA N2012ZPS121T50 | T | 63.3/44.7 |
| EP354 | 6910019200 | S.BEA N2012ZPS121T50 | T | 69.7/47.8 |
| EP401 | 6910014680 | S.BEA MMZ1608Y 121BT | T | 14.6/61.5 |
| EP402 | 6910014640 | S.BEA MPZ2012S221A-T | T | 15.0/65.5 |
| EP403 | 6910014640 | S.BEA MPZ2012S221A-T | T | 15.0/63.5 |
| EP404 | 6910014640 | S.BEA MPZ2012S221A-T | T | 15.0/71.5 |
| EP405 | 6910014640 | S.BEA MPZ2012S221A-T | T | 15.0/69.5 |
| EP406 | 6910014640 | S.BEA MPZ2012S221A-T | T | 15.0/73.5 |
| EP408 | 6910014690 | S.BEA MPZ1608S221A-T | T | 14.7/67.5 |
| EP410 | 6910014680 | S.BEA MMZ1608Y 121BT | T | 11.1/31.7 |
| EP411 | 6910014680 | S.BEA MMZ1608Y 121BT | T | 11.1/33.0 |
| EP420 | 6910014640 | S.BEA MPZ2012S221A-T | T | 16.2/93.9 |
| EP421 | 6910014640 | S.BEA MPZ2012S221A-T | T | 16.2/95.9 |
| EP422 | 6910014640 | S.BEA MPZ2012S221A-T | T | 16.5/98.5 |

[PA-A UNIT]

| REF NO. | PARTS NO. | DESCRIPTION | M. | H/V LOCATION |
|---------|------------|----------------------|----|--------------|
| EP423 | 6910014640 | S.BEA MPZ2012S221A-T | T | 17.1/101.7 |
| EP451 | 6910018930 | S.BEA MPZ2012S601A | T | 29.5/116.2 |
| EP452 | 6910018930 | S.BEA MPZ2012S601A | T | 27.2/116.2 |
| EP461 | 6910018930 | S.BEA MPZ2012S601A | T | 172.2/75.1 |
| EP462 | 6910018930 | S.BEA MPZ2012S601A | B | 173.4/68.7 |

M.=Mounted side (T: Mounted on the Top side, B: Mounted on the Bottom side)
S.=Surface mount

[PA-B UNIT]

| REF NO. | PARTS NO. | DESCRIPTION | M. | H/V LOCATION |
|---------|------------|---------------------------------|----|--------------|
| IC551 | 1110003800 | S.IC NJM2904V-TE1-#FMZB | T | 58.7/17.8 |
| IC552 | 1110003780 | S.IC NJM2902V-TE1-#ZZZB | T | 58.7/10.0 |
| IC841 | 1180001111 | S.IC PQ20VZ51J00H S | T | 19.4/128.7 |
| IC931 | 1110006680 | S.IC BH2221FV-E2 | T | 38.7/14.8 |
| IC932 | 1180001252 | S.IC TA7808F(TE16L1N9Q) | B | 14.4/10.0 |
| Q151 | 1560001091 | S.FET 2SK2854(T2LICOMF) | T | 127.2/7.0 |
| Q171 | 1560001101 | S.FET 2SK3074(TE12LF) | T | 111.8/7.0 |
| Q201 | 1560001530 | FET RD15HVF1-101 | | |
| Q251 | 1560001591 | FET RD70HVF1C-121 | | |
| Q341 | 1590003680 | S.TRA KRC402 RTK/P | B | 128.2/35.7 |
| Q351 | 1590001660 | S.TRA XP4312(TX) | T | 82.6/33.5 |
| Q371 | 1590003680 | S.TRA KRC402 RTK/P | T | 82.4/40.7 |
| Q401 | 1560001611 | FET RD60HUF1C-101 | | |
| Q402 | 1560001611 | FET RD60HUF1C-101 | | |
| Q483 | 1590003680 | S.TRA KRC402 RTK/P | T | 26.3/132.8 |
| Q491 | 1590001660 | S.TRA XP4312(TX) | T | 13.5/122.8 |
| Q541 | 1590003680 | S.TRA KRC402 RTK/P | B | 6.4/129.2 |
| Q542 | 1520000460 | S.TRA 2SB1132 T100 R | T | 12.3/131.3 |
| Q551 | 1530003900 | S.TRA KTC4075 BL-RTK/P | B | 62.0/17.3 |
| Q553 | 1530003900 | S.TRA KTC4075 BL-RTK/P | B | 62.1/6.3 |
| Q554 | 1530003900 | S.TRA KTC4075 BL-RTK/P | B | 62.1/11.7 |
| Q701 | 1560001591 | FET RD70HVF1C-121 | | |
| Q702 | 1560001591 | FET RD70HVF1C-121 | | |
| Q751 | 1590003680 | S.TRA KRC402 RTK/P | T | 130.8/133.3 |
| Q831 | 1590003680 | S.TRA KRC402 RTK/P | T | 150.4/141.4 |
| Q832 | 1520000460 | S.TRA 2SB1132 T100 R | T | 141.2/145.0 |
| Q941 | 1540000441 | S.TRA 2SD1619T-TD-E | T | 8.9/15.7 |
| Q942 | 1530003900 | S.TRA KTC4075 BL-RTK/P | T | 15.0/14.2 |
| Q943 | 1540000441 | S.TRA 2SD1619T-TD-E | B | 8.2/25.2 |
| Q944 | 1530003900 | S.TRA KTC4075 BL-RTK/P | T | 15.8/20.0 |
| D341 | 1750001360 | S.DIO L709CER (9401) | T | 116.3/46.2 |
| D351 | 1750001360 | S.DIO L709CER (9401) | T | 73.7/41.4 |
| D352 | 1750001360 | S.DIO L709CER (9401) | B | 75.1/34.6 |
| D371 | 1750001360 | S.DIO L709CER (9401) | B | 81.3/42.1 |
| D441 | 1750001320 | S.DIO KDS4148U RTK/P | B | 30.4/21.5 |
| D442 | 1750001320 | S.DIO KDS4148U RTK/P | B | 39.8/19.8 |
| D451 | 1710001061 | DIO L407CDB | | |
| D452 | 1710001061 | DIO L407CDB | | |
| D453 | 1710001061 | DIO L407CDB | | |
| D454 | 1710001061 | DIO L407CDB | | |
| D471 | 1710001061 | DIO L407CDB | | |
| D472 | 1710001061 | DIO L407CDB | | |
| D473 | 1710001061 | DIO L407CDB | | |
| D483 | 1790001621 | S.DIO 1SV308(TPL3F) | T | 27.1/139.7 |
| D501 | 1720000361 | S.DIO HSU88TRF-E | B | 42.9/140.4 |
| D511 | 1720000361 | S.DIO HSU88TRF-E | B | 21.7/149.3 |
| D757 | 1750001320 | S.DIO KDS4148U RTK/P | T | 125.0/132.5 |
| D762 | 1790001621 | S.DIO 1SV308(TPL3F) | T | 140.6/129.0 |
| D801 | 1750000951 | S.DIO MA2J7320GL | B | 116.7/143.9 |
| D811 | 1750000951 | S.DIO MA2J7320GL | B | 137.5/149.1 |
| D851 | 1750001320 | S.DIO KDS4148U RTK/P | B | 147.2/57.4 |
| D852 | 1750001320 | S.DIO KDS4148U RTK/P | B | 131.8/60.8 |
| D861 | 1750001320 | S.DIO KDS4148U RTK/P | B | 147.2/52.9 |
| D862 | 1750001320 | S.DIO KDS4148U RTK/P | B | 116.0/62.2 |
| D911 | 1750001320 | S.DIO KDS4148U RTK/P | B | 4.5/28.1 |
| D912 | 1750001320 | S.DIO KDS4148U RTK/P | T | 9.1/26.0 |
| D916 | 1790001241 | S.DIO MA2S7280GL | T | 32.1/14.9 |
| D917 | 1790001241 | S.DIO MA2S7280GL | T | 27.7/14.9 |
| D918 | 1790001241 | S.DIO MA2S7280GL | T | 29.6/14.9 |
| D919 | 1790001241 | S.DIO MA2S7280GL | T | 26.4/16.6 |
| D941 | 1750001180 | S.DIO KDS122 RTK/P | T | 17.5/15.4 |
| D942 | 1750001180 | S.DIO KDS122 RTK/P | T | 13.0/20.9 |
| L151 | 6200004961 | S.COI NLV25T-R33J | B | 110.8/61.9 |
| L152 | 6200008570 | S.COI LQW2BHN6N8D03L | T | 101.3/68.6 |
| L171 | 6200010720 | S.COI C2520C-56NG-A | T | 111.7/13.7 |
| L172 | 6200007670 | S.COI LQW2BHN10NJ03L | T | 107.2/20.2 |
| L201 | 6200010060 | S.COI AS080647-56N | T | 108.5/20.2 |
| L261 | 2040000490 | COI EXC-ELDR25C | | |
| L262 | 6110001780 | COI LA-267 | | |
| L321 | 6200010160 | S.COI AS080440-22N | T | 116.6/36.8 |
| L341 | 6200008911 | S.COI 1812CS-122XJLC | T | 127.2/40.9 |
| L342 | 6200008911 | S.COI 1812CS-122XJLC | T | 116.8/42.5 |
| L351 | 6200010740 | S.COI C2520C-R27G-A | T | 79.1/47.5 |
| L371 | 6200013000 | S.COI 0.25-1.9-13TL 135N <COMO> | T | 82.4/45.7 |
| L401 | 6200010740 | S.COI C2520C-R27G-A | T | 68.3/28.9 |
| L402 | 6200010150 | S.COI AS080340-15N | T | 42.1/23.7 |
| L451 | 6110000410 | COI LA-69 | | |
| L452 | 6110000410 | COI LA-69 | | |
| L471 | 6110001660 | COI LA-252 | | |
| L472 | 6110001660 | COI LA-252 | | |
| L473 | 6200010590 | S.COI C2520C-22NG-A | T | 33.1/132.3 |
| L482 | 6200001981 | S.COI NLV25T-1R0J | T | 25.9/136.1 |
| L491 | 6110001780 | COI LA-267 | | |
| L523 | 6200008911 | S.COI 1812CS-122XJLC | T | 12.2/144.7 |
| L701 | 6110001730 | COI LA-262 | | |
| L702 | 6110001730 | COI LA-262 | | |
| L741 | 6110001360 | COI LA-179 | | |
| L742 | 6170000340 | COI LW-33 | | |
| L752 | 6200008911 | S.COI 1812CS-122XJLC | T | 156.1/120.9 |
| L753 | 6200010780 | S.COI C2520C-1R0G-A | T | 124.5/130.1 |
| L754 | 6200010780 | S.COI C2520C-1R0G-A | T | 115.2/138.5 |
| L762 | 6200001981 | S.COI NLV25T-1R0J | T | 143.7/135.7 |
| L763 | 6200010720 | S.COI C2520C-56NG-A | T | 144.3/129.2 |
| L771 | 6110001340 | COI LA-177 | | |
| L772 | 6110001340 | COI LA-177 | | |
| L773 | 6110001330 | COI LA-176 | | |
| L821 | 6200008911 | S.COI 1812CS-122XJLC | T | 135.2/142.8 |
| L822 | 6200001831 | S.COI NLV32T-100J | T | 45.0/13.4 |

[PA-B UNIT]

| REF NO. | PARTS NO. | DESCRIPTION | M. | H/V LOCATION |
|---------|------------|-----------------------------|----|--------------|
| R104 | 7030003370 | S.RES ERJ3GEYJ 271 V (270) | T | 132.3/5.3 |
| R105 | 7030003230 | S.RES ERJ3GEYJ 180 V (18) | T | 131.5/7.4 |
| R106 | 7030003370 | S.RES ERJ3GEYJ 271 V (270) | T | 130.8/5.3 |
| R151 | 7030003300 | S.RES ERJ3GEYJ 680 V (68) | T | 128.7/12.3 |
| R152 | 7030003420 | S.RES ERJ3GEYJ 681 V (680) | T | 125.9/10.9 |
| R153 | 7030003480 | S.RES ERJ3GEYJ 222 V (2.2K) | T | 125.9/13.6 |
| R154 | 7030003520 | S.RES ERJ3GEYJ 472 V (4.7K) | T | 125.9/12.3 |
| R155 | 7030003400 | S.RES ERJ3GEYJ 471 V (470) | T | 121.4/12.3 |
| R156 | 7030008190 | S.RES ERJ12YJ330U (33) | T | 120.4/19.5 |
| R171 | 7030003290 | S.RES ERJ3GEYJ 560 V (56) | T | 115.9/10.2 |
| R172 | 7030003410 | S.RES ERJ3GEYJ 561 V (560) | T | 112.7/11.0 |
| R173 | 7030003500 | S.RES ERJ3GEYJ 332 V (3.3K) | T | 116.7/13.1 |
| R174 | 7030003530 | S.RES ERJ3GEYJ 562 V (5.6K) | T | 117.9/13.1 |
| R201 | 7030000230 | S.RES MCR10EZJH 56 (560) | T | 100.9/4.8 |
| R202 | 7030003560 | S.RES ERJ3GEYJ 103 V (10K) | T | 98.5/4.4 |
| R203 | 7030010820 | S.RES ERJ1TYJ 221U (220) | T | 106.5/12.0 |
| R206 | 7030003400 | S.RES ERJ3GEYJ 471 V (470) | T | 95.9/4.4 |
| R251 | 7030003400 | S.RES ERJ3GEYJ 471 V (470) | T | 89.9/20.9 |
| R252 | 7030000220 | S.RES MCR10EZJH 47 (470) | T | 93.1/20.4 |
| R254 | 7030000220 | S.RES MCR10EZJH 47 (470) | T | 93.1/22.2 |
| R341 | 7030006070 | S.RES ERJ12YJ101U (100) | B | 125.6/41.5 |
| R342 | 7030003560 | S.RES ERJ3GEYJ 103 V (10K) | B | 126.0/35.9 |
| R351 | 7070001250 | RES ERG3SJ 151P (150) | | |
| R352 | 7030003560 | S.RES ERJ3GEYJ 103 V (10K) | T | 75.9/23.5 |
| R371 | 7030006070 | S.RES ERJ12YJ101U (100) | B | 80.8/31.7 |
| R372 | 7030000340 | S.RES MCR10EZJH 470 (471) | B | 82.0/38.4 |
| R373 | 7030003560 | S.RES ERJ3GEYJ 103 V (10K) | T | 82.5/36.2 |
| R441 | 7030003400 | S.RES ERJ3GEYJ 471 V (470) | B | 37.0/16.3 |
| R442 | 7030003400 | S.RES ERJ3GEYJ 471 V (470) | B | 39.8/16.3 |
| R443 | 7030010820 | S.RES ERJ1TYJ 221U (220) | B | 22.9/38.2 |
| R444 | 7030010820 | S.RES ERJ1TYJ 221U (220) | B | 53.0/38.0 |
| R445 | 7030003560 | S.RES ERJ3GEYJ 103 V (10K) | B | 34.0/23.8 |
| R446 | 7030003560 | S.RES ERJ3GEYJ 103 V (10K) | B | 27.6/23.6 |
| R447 | 7030010820 | S.RES ERJ1TYJ 221U (220) | B | 23.1/34.2 |
| R448 | 7030010820 | S.RES ERJ1TYJ 221U (220) | B | 53.1/30.4 |
| R482 | 7030003320 | S.RES ERJ3GEYJ 101 V (100) | T | 28.6/137.2 |
| R484 | 7030000340 | S.RES MCR10EZJH 470 (471) | T | 25.5/139.7 |
| R485 | 7030003860 | S.RES ERJ3GE JPW V | T | 32.5/141.2 |
| R486 | 7030003440 | S.RES ERJ3GEYJ 102 V (1K) | B | 28.0/132.5 |
| R491 | 7030003560 | S.RES ERJ3GEYJ 103 V (10K) | B | 13.4/120.5 |
| R492 | 7030010480 | S.RES ERJ1TYJ 181U (180) | B | 22.1/115.3 |
| R502 | 7030003440 | S.RES ERJ3GEYJ 102 V (1K) | B | 37.9/136.9 |
| R503 | 7030003330 | S.RES ERJ3GEYJ 121 V (120) | B | 22.9/139.9 |
| R504 | 7030003330 | S.RES ERJ3GEYJ 121 V (120) | B | 24.5/139.9 |
| R511 | 7030003360 | S.RES ERJ3GEYJ 221 V (220) | B | 43.7/149.4 |
| R512 | 7030003440 | S.RES ERJ3GEYJ 102 V (1K) | B | 22.6/152.6 |
| R513 | 7030003440 | S.RES ERJ3GEYJ 102 V (1K) | B | 11.6/149.3 |
| R514 | 7030003330 | S.RES ERJ3GEYJ 121 V (120) | B | 43.7/147.8 |
| R531 | 7030003480 | S.RES ERJ3GEYJ 222 V (2.2K) | B | 6.8/136.1 |
| R532 | 7030003540 | S.RES ERJ3GEYJ 682 V (6.8K) | B | 11.8/135.3 |
| R541 | 7030003660 | S.RES ERJ3GEYJ 683 V (68K) | T | 8.6/131.3 |
| R542 | 7030009950 | S.RES ERJ8GEYJ 681V (680) | T | 8.7/130.1 |
| R551 | 7030003680 | S.RES ERJ3GEYJ 104 V (100K) | B | 67.7/18.2 |
| R552 | 7030003650 | S.RES ERJ3GEYJ 563 V (56K) | T | 64.1/18.2 |
| R553 | 7030003680 | S.RES ERJ3GEYJ 104 V (100K) | T | 65.4/16.9 |
| R554 | 7030003650 | S.RES ERJ3GEYJ 563 V (56K) | T | 63.3/16.1 |
| R555 | 7030003390 | S.RES ERJ3GEYJ 391 V (390) | T | 65.4/15.6 |
| R556 | 7030003680 | S.RES ERJ3GEYJ 104 V (100K) | T | 49.6/18.8 |
| R557 | 7030003860 | S.RES ERJ3GE JPW V | T | 53.2/18.8 |
| R559 | 7030003860 | S.RES ERJ3GE JPW V | T | 53.9/16.8 |
| R561 | 7030003510 | S.RES ERJ3GEYJ 392 V (3.9K) | B | 68.4/17.1 |
| R562 | 7030003390 | S.RES ERJ3GEYJ 391 V (390) | B | 65.2/16.4 |
| R563 | 7030003360 | S.RES ERJ3GEYJ 221 V (220) | B | 60.8/14.4 |
| R571 | 7030003320 | S.RES ERJ3GEYJ 101 V (100) | B | 57.7/16.6 |
| R572 | 7030003320 | S.RES ERJ3GEYJ 101 V (100) | B | 57.7/8.6 |
| R573 | 7030003680 | S.RES ERJ3GEYJ 104 V (100K) | T | 49.7/10.7 |
| R574 | 7030003680 | S.RES ERJ3GEYJ 104 V (100K) | T | 49.7/9.4 |
| R575 | 7030003650 | S.RES ERJ3GEYJ 563 V (56K) | T | 53.3/10.7 |
| R576 | 7030003680 | S.RES ERJ3GEYJ 104 V (100K) | T | 52.0/12.0 |
| R577 | 7030003650 | S.RES ERJ3GEYJ 563 V (56K) | T | 53.3/9.4 |
| R578 | 7030003680 | S.RES ERJ3GEYJ 104 V (100K) | T | 52.0/8.1 |
| R579 | 7030003650 | S.RES ERJ3GEYJ 563 V (56K) | T | 54.0/12.7 |
| R580 | 7030003650 | S.RES ERJ3GEYJ 563 V (56K) | T | 54.0/7.3 |
| R581 | 7030003400 | S.RES ERJ3GEYJ 471 V (470) | T | 52.0/13.3 |
| R582 | 7030003400 | S.RES ERJ3GEYJ 471 V (470) | T | 52.0/6.8 |
| R583 | 7030003680 | S.RES ERJ3GEYJ 104 V (100K) | T | 67.7/9.3 |
| R584 | 7030003680 | S.RES ERJ3GEYJ 104 V (100K) | T | 67.7/10.8 |
| R585 | 7030003650 | S.RES ERJ3GEYJ 563 V (56K) | T | 64.1/9.3 |
| R586 | 7030003680 | S.RES ERJ3GEYJ 104 V (100K) | T | 65.2/7.9 |
| R587 | 7030003650 | S.RES ERJ3GEYJ 563 V (56K) | T | 64.1/10.8 |
| R588 | 7030003680 | S.RES ERJ3GEYJ 104 V (100K) | T | 65.4/12.1 |
| R589 | 7030003650 | S.RES ERJ3GEYJ 563 V (56K) | T | 63.3/7.2 |
| R590 | 7030003650 | S.RES ERJ3GEYJ 563 V (56K) | T | 63.3/12.8 |
| R591 | 7030003390 | S.RES ERJ3GEYJ 391 V (390) | T | 65.2/6.5 |
| R592 | 7030003390 | S.RES ERJ3GEYJ 391 V (390) | T | 65.4/13.4 |
| R593 | 7030003510 | S.RES ERJ3GEYJ 392 V (3.9K) | B | 65.2/5.4 |
| R594 | 7030003510 | S.RES ERJ3GEYJ 392 V (3.9K) | B | 65.2/13.9 |
| R595 | 7030003390 | S.RES ERJ3GEYJ 391 V (390) | B | 65.2/7.0 |
| R596 | 7030003390 | S.RES ERJ3GEYJ 391 V (390) | B | 65.2/12.3 |
| R597 | 7030003360 | S.RES ERJ3GEYJ 221 V (220) | B | 58.9/5.9 |
| R598 | 7030003360 | S.RES ERJ3GEYJ 221 V (220) | B | 60.8/9. |

[PA-B UNIT]

| REF NO. | PARTS NO. | DESCRIPTION | M. | H/V LOCATION |
|---------|------------|---------------------------------------|----|--------------|
| R822 | 7030003480 | S.RES ERJ3GEYJ 222 V (2.2K) | T | 143.8/141.1 |
| R831 | 7030003660 | S.RES ERJ3GEYJ 683 V (68K) | T | 144.7/145.6 |
| R832 | 7030009950 | S.RES ERJ8GEYJ 681V (680) | T | 147.8/143.0 |
| R841 | 7030003700 | S.RES ERJ3GEYJ 154 V (150K) | T | 15.3/121.1 |
| R842 | 7030003470 | S.RES ERJ3GEYJ 182 V (1.8K) [USA] | T | 22.6/121.1 |
| | 7030003440 | S.RES ERJ3GEYJ 102 V (1K) [EUR] | | |
| | 7030003440 | S.RES ERJ3GEYJ 102 V (1K) [EUR-01] | | |
| | 7030003440 | S.RES ERJ3GEYJ 102 V (1K) [ITR] | | |
| | 7030003440 | S.RES ERJ3GEYJ 102 V (1K) [ESP] | | |
| | 7030003440 | S.RES ERJ3GEYJ 102 V (1K) [TPE] | | |
| | 7030003440 | S.RES ERJ3GEYJ 102 V (1K) [KOR] | | |
| | 7030003440 | S.RES ERJ3GEYJ 102 V (1K) [CHN] | | |
| | 7030003440 | S.RES ERJ3GEYJ 102 V (1K) [FRA] | | |
| | 7030003440 | S.RES ERJ3GEYJ 102 V (1K) [EXP] | | |
| R843 | 7030003540 | S.RES ERJ3GEYJ 682 V (6.8K) [USA] | T | 19.6/120.4 |
| | 7030003550 | S.RES ERJ3GEYJ 822 V (8.2K) [EUR] | | |
| | 7030003550 | S.RES ERJ3GEYJ 822 V (8.2K) [EUR-01] | | |
| | 7030003550 | S.RES ERJ3GEYJ 822 V (8.2K) [ITR] | | |
| | 7030003550 | S.RES ERJ3GEYJ 822 V (8.2K) [ESP] | | |
| | 7030003550 | S.RES ERJ3GEYJ 822 V (8.2K) [TPE] | | |
| | 7030003550 | S.RES ERJ3GEYJ 822 V (8.2K) [KOR] | | |
| | 7030003550 | S.RES ERJ3GEYJ 822 V (8.2K) [CHN] | | |
| | 7030003550 | S.RES ERJ3GEYJ 822 V (8.2K) [FRA] | | |
| | 7030003550 | S.RES ERJ3GEYJ 822 V (8.2K) [EXP] | | |
| R844 | 7030003420 | S.RES ERJ3GEYJ 681 V (680) | T | 19.6/121.7 |
| R856 | 7030003480 | S.RES ERJ3GEYJ 222 V (2.2K) | B | 132.6/58.1 |
| R857 | 7030010910 | S.RES ERJ1TYJ 150U (15) | B | 136.2/63.2 |
| R866 | 7030003480 | S.RES ERJ3GEYJ 222 V (2.2K) | B | 114.9/59.0 |
| R867 | 7030010910 | S.RES ERJ1TYJ 150U (15) | B | 113.2/64.1 |
| R901 | 7030003320 | S.RES ERJ3GEYJ 101 V (100) | B | 35.8/7.0 |
| R902 | 7030003320 | S.RES ERJ3GEYJ 101 V (100) | B | 34.2/7.8 |
| R903 | 7030003320 | S.RES ERJ3GEYJ 101 V (100) | B | 39.0/7.0 |
| R904 | 7030003320 | S.RES ERJ3GEYJ 101 V (100) | B | 37.4/7.8 |
| R905 | 7030003320 | S.RES ERJ3GEYJ 101 V (100) | B | 44.6/14.0 |
| R906 | 7030003320 | S.RES ERJ3GEYJ 101 V (100) | B | 43.0/16.3 |
| R907 | 7030003320 | S.RES ERJ3GEYJ 101 V (100) | B | 40.6/7.8 |
| R931 | 7030003320 | S.RES ERJ3GEYJ 101 V (100) | T | 22.9/15.5 |
| R932 | 7030003320 | S.RES ERJ3GEYJ 101 V (100) | T | 21.6/15.9 |
| R933 | 7030003320 | S.RES ERJ3GEYJ 101 V (100) | T | 20.3/16.2 |
| R941 | 7030003230 | S.RES ERJ3GEYJ 180 V (18) | T | 12.1/17.1 |
| R942 | 7030003500 | S.RES ERJ3GEYJ 332 V (3.3K) | T | 13.3/17.1 |
| R943 | 7030006060 | S.RES ERJ12YJ100U (10) | B | 9.0/20.2 |
| R944 | 7030003500 | S.RES ERJ3GEYJ 332 V (3.3K) | T | 11.1/19.9 |
| R945 | 7030003560 | S.RES ERJ3GEYJ 103 V (10K) | T | 17.7/13.3 |
| R946 | 7030003560 | S.RES ERJ3GEYJ 103 V (10K) | T | 19.0/17.9 |
| R947 | 7030003500 | S.RES ERJ3GEYJ 332 V (3.3K) | T | 14.5/17.1 |
| R948 | 7030003500 | S.RES ERJ3GEYJ 332 V (3.3K) | T | 15.7/17.1 |
| R949 | 7030003500 | S.RES ERJ3GEYJ 332 V (3.3K) | T | 9.8/19.9 |
| R950 | 7030003500 | S.RES ERJ3GEYJ 332 V (3.3K) | T | 8.5/19.9 |
| R951 | 7510001551 | S.THE NTCG16 4LH 333JT | B | 152.5/68.6 |
| R952 | 7030003500 | S.RES ERJ3GEYJ 332 V (3.3K) | T | 156.5/66.2 |
| R953 | 7030003860 | S.RES ERJ3GE JPW V | T | 156.5/64.7 |
| R954 | 7030003360 | S.RES ERJ3GEYJ 221 V (220) | B | 25.0/8.0 |
| R955 | 7030003510 | S.RES ERJ3GEYJ 392 V (3.9K) | T | 155.8/49.7 |
| R961 | 7510001551 | S.THE NTCG16 4LH 333JT | B | 6.6/38.9 |
| R962 | 7030003460 | S.RES ERJ3GEYJ 152 V (1.5K) | T | 6.7/36.3 |
| R963 | 7030003860 | S.RES ERJ3GE JPW V | T | 7.4/34.3 |
| R964 | 7030003360 | S.RES ERJ3GEYJ 221 V (220) | B | 27.0/8.5 |
| R965 | 7030003430 | S.RES ERJ3GEYJ 821 V (820) | T | 5.2/35.0 |
| R966 | 7030003510 | S.RES ERJ3GEYJ 392 V (3.9K) | T | 8.9/30.9 |
| R972 | 7030003460 | S.RES ERJ3GEYJ 152 V (1.5K) | T | 155.3/130.3 |
| R973 | 7030003480 | S.RES ERJ3GEYJ 222 V (2.2K) | T | 157.0/135.3 |
| R974 | 7030003860 | S.RES ERJ3GE JPW V | T | 156.0/128.4 |
| R975 | 7030003360 | S.RES ERJ3GEYJ 221 V (220) | T | 157.0/137.9 |
| R980 | 7030003520 | S.RES ERJ3GEYJ 472 V (4.7K) | T | 4.6/127.1 |
| R984 | 7030003360 | S.RES ERJ3GEYJ 221 V (220) | T | 3.4/127.1 |
| R988 | 7030003360 | S.RES ERJ3GEYJ 221 V (220) | T | 3.3/119.4 |
| R989 | 7030003480 | S.RES ERJ3GEYJ 222 V (2.2K) | T | 3.3/122.0 |
| R992 | 7030008240 | S.RES ERJ12Y0R00U | B | 127.5/132.4 |
| R993 | 7030008240 | S.RES ERJ12Y0R00U | B | 133.5/128.9 |
| R994 | 7030008240 | S.RES ERJ12Y0R00U | B | 148.8/145.5 |
| R995 | 7030003860 | S.RES ERJ3GE JPW V | B | 146.9/149.3 |
| R996 | 7030003860 | S.RES ERJ3GE JPW V | B | 8.5/141.9 |
| C151 | 4030006860 | S.CER C1608 JB 1H 102K-T | T | 130.8/9.5 |
| C152 | 4030011600 | S.CER C1608 JB 1E 104K-T | T | 128.7/13.6 |
| C153 | 4030007130 | S.CER C1608 CH 1H 101J-T | T | 128.7/10.9 |
| C154 | 4030011600 | S.CER C1608 JB 1E 104K-T | T | 123.0/15.0 |
| C155 | 4030006850 | S.CER C1608 JB 1H 471K-T | T | 121.7/15.0 |
| C156 | 4030006860 | S.CER C1608 JB 1H 102K-T | T | 120.4/15.0 |
| C158 | 4510009770 | S.ELE 16 CE 47 FS | T | 127.1/18.0 |
| C159 | 4030007130 | S.CER C1608 CH 1H 101J-T | T | 123.3/9.3 |
| C160 | 4030007010 | S.CER C1608 CH 1H 100D-T | T | 121.2/7.2 |
| C161 | 4030011600 | S.CER C1608 JB 1E 104K-T | T | 117.9/19.7 |
| C171 | 4030007030 | S.CER C1608 CH 1H 150J-T | T | 117.9/10.2 |
| C172 | 4030006860 | S.CER C1608 JB 1H 102K-T | T | 115.5/13.1 |
| C173 | 4030011600 | S.CER C1608 JB 1E 104K-T | T | 114.3/13.1 |
| C174 | 4030011600 | S.CER C1608 JB 1E 104K-T | T | 114.7/10.2 |
| C175 | 4030006860 | S.CER C1608 JB 1H 102K-T | T | 109.0/14.3 |
| C176 | 4030018960 | S.CER C3216 JB 1C 106MT-N | T | 114.6/16.8 |
| C178 | 4030007130 | S.CER C1608 CH 1H 101J-T | T | 103.1/5.6 |
| C179 | 4030007020 | S.CER C1608 CH 1H 120J-T | T | 104.7/5.6 |
| C201 | 4030011600 | S.CER C1608 JB 1E 104K-T | T | 97.2/4.4 |
| C202 | 4030004720 | S.CER C2012 JB 1H 102K-T | T | 103.7/8.6 |
| C204 | 4030004870 | S.CER C2012 CH 1H 100D-T | T | 103.7/13.5 |
| C207 | 4030004930 | S.CER C2012 CH 1H 330J-T | T | 100.3/18.9 |
| C210 | 4030006860 | S.CER C1608 JB 1H 102K-T | T | 114.5/19.9 |
| C211 | 4030011600 | S.CER C1608 JB 1E 104K-T | T | 114.0/15.1 |
| C243 | 4030011210 | S.CER GRM31M2C2H330JV01L (GRM42-6 CH) | T | 103.8/30.4 |
| C251 | 4030006860 | S.CER C1608 JB 1H 102K-T | T | 89.9/22.4 |
| C261 | 4510009880 | S.ELE EEEHBC471UAP | T | 140.8/16.5 |
| C262 | 4510009880 | S.ELE EEEHBC471UAP | T | 136.8/27.4 |
| C263 | 4030006860 | S.CER C1608 JB 1H 102K-T | T | 148.8/26.3 |

[PA-B UNIT]

| REF NO. | PARTS NO. | DESCRIPTION | M. | H/V LOCATION |
|---------|------------|---------------------------------------|----|--------------|
| C264 | 4030006880 | S.CER C1608 JB 1H 472K-T | B | 111.1/57.8 |
| C265 | 4510009880 | S.ELE EEEHBC471UAP | T | 136.8/38.2 |
| C266 | 4030006850 | S.CER C1608 JB 1H 471K-T | B | 109.5/57.8 |
| C302 | 4030017960 | S.CER ERF22X 6C2H 330J D01L | T | 93.1/44.3 |
| C304 | 4030017960 | S.CER ERF22X 6C2H 330J D01L | T | 103.8/44.3 |
| C306 | 4030011090 | S.CER GRM31M2C2H7R0DV01L (GRM42-6 CH) | B | 98.5/47.6 |
| C321 | 4030011180 | S.CER GRM31M2C2H220JV01L (GRM42-6 CH) | T | 119.9/33.1 |
| C323 | 4030017960 | S.CER ERF22X 6C2H 330J D01L | T | 125.2/30.4 |
| C324 | 4030017960 | S.CER ERF22X 6C2H 330J D01L | T | 125.2/33.7 |
| C341 | 4030006860 | S.CER C1608 JB 1H 102K-T | B | 130.4/36.0 |
| C342 | 4030006860 | S.CER C1608 JB 1H 102K-T | B | 124.4/35.9 |
| C343 | 4030011600 | S.CER C1608 JB 1E 104K-T | T | 120.5/40.2 |
| C351 | 4030018450 | S.CER ERF22X 6C2H 8R0D D01L | B | 94.7/49.3 |
| C352 | 4030018040 | S.CER ERF22X 6C2H 180J D01L | B | 88.8/47.7 |
| C353 | 4030019420 | S.CER GRM31A7U2J102JW31D | B | 80.2/47.1 |
| C354 | 4030006860 | S.CER C1608 JB 1H 102K-T | T | 75.9/24.8 |
| C355 | 4030018420 | S.CER ERF22X 6C2H 5R0C D01L | B | 94.7/52.6 |
| C356 | 4030011040 | S.CER GRM31M4C2H2R0CY21L (GRM42-6 CK) | T | 75.9/48.2 |
| C371 | 4030011600 | S.CER C1608 JB 1E 104K-T | T | 82.5/37.5 |
| C372 | 4030006860 | S.CER C1608 JB 1H 102K-T | T | 26.0/55.2 |
| C373 | 4030006860 | S.CER C1608 JB 1H 102K-T | T | 59.4/29.7 |
| C374 | 4030019420 | S.CER GRM31A7U2J102JW31D | T | 143.3/27.9 |
| C401 | 4030011170 | S.CER GRM31M2C2H180JV01L (GRM42-6 CH) | T | 44.0/10.9 |
| C403 | 4610002260 | TRI CVC20-41KR-PB | | |
| C404 | 4030011160 | S.CER GRM31M2C2H150JV01L (GRM42-6 CH) | T | 59.3/60.25 |
| C405 | 4030011160 | S.CER GRM31M2C2H150JV01L (GRM42-6 CH) | T | 59.0/80.9 |
| C406 | 4030011060 | S.CER GRM31M2C2H4R0CY21L (GRM42-6 CH) | T | 37.4/38.8 |
| C411 | 4030018290 | S.CER ERF22X 6C2H 390J D01L | T | 14.1/58.4 |
| C412 | 4030018290 | S.CER ERF22X 6C2H 390J D01L | T | 54.1/58.4 |
| C413 | 4030018290 | S.CER ERF22X 6C2H 390J D01L | T | 21.9/58.4 |
| C414 | 4030018290 | S.CER ERF22X 6C2H 390J D01L | T | 61.9/58.4 |
| C419 | 4030011020 | S.CER GRM31M4C2H1R0CY21L (GRM42-6 CK) | T | 43.4/103.2 |
| C420 | 4030011020 | S.CER GRM31M4C2H1R0CY21L (GRM42-6 CK) | T | 32.9/103.2 |
| C421 | 4030019420 | S.CER GRM31A7U2J102JW31D | T | 39.7/92.5 |
| C422 | 4030011740 | S.CER GRM32N2C2H201JV01L (GRM42-2 CH) | T | 36.2/112.1 |
| C423 | 4030011740 | S.CER GRM32N2C2H201JV01L (GRM42-2 CH) | T | 40.1/112.1 |
| C424 | 4030011050 | S.CER GRM31M3C2H3R0CY21L (GRM42-6 CJ) | T | 59.2/120.1 |
| C425 | 4030011180 | S.CER GRM31M2C2H220JV01L (GRM42-6 CH) | T | 23.3/42.7 |
| C426 | 4030011180 | S.CER GRM31M2C2H220JV01L (GRM42-6 CH) | T | 52.8/42.7 |
| C429 | 4030011180 | S.CER GRM31M2C2H220JV01L (GRM42-6 CH) | T | 12.8/42.7 |
| C430 | 4030011180 | S.CER GRM31M2C2H220JV01L (GRM42-6 CH) | T | 63.3/42.7 |
| C431 | 4510009880 | S.ELE EEEHBC471UAP | T | 72.1/82.7 |
| C432 | 4030007170 | S.CER C1608 CH 1H 221J-T | B | 68.8/91.9 |
| C433 | 4030006880 | S.CER C1608 JB 1H 472K-T | B | 68.8/87.9 |
| C434 | 4030011600 | S.CER C1608 JB 1E 104K-T | B | 68.8/86.3 |
| C435 | 4030011040 | S.CER GRM31M4C2H2R0CY21L (GRM42-6 CK) | T | 43.6/115.8 |
| C436 | 4030011160 | S.CER GRM31M2C2H150JV01L (GRM42-6 CH) | T | 35.9/35.0 |
| C437 | 4030011160 | S.CER GRM31M2C2H150JV01L (GRM42-6 CH) | T | 41.0/35.0 |
| C438 | 4030011060 | S.CER GRM31M2C2H4R0CY21L (GRM42-6 CH) | T | 39.5/38.8 |
| C441 | 4030006860 | S.CER C1608 JB 1H 102K-T | B | 25.4/30.7 |
| C442 | 4030006860 | S.CER C1608 JB 1H 102K-T | B | 50.9/30.5 |
| C443 | 4030007090 | S.CER C1608 CH 1H 470J-T | B | 27.0/30.7 |
| C444 | 4030007090 | S.CER C1608 CH 1H 470J-T | B | 49.3/30.5 |
| C451 | 4030011050 | S.CER GRM31M3C2H3R0CY21L (GRM42-6 CJ) | T | 62.9/146.2 |
| C452 | 4030018540 | S.CER ERF22X 6C2H 7R0D D01L | T | 52.7/147.4 |
| C453 | 4030011050 | S.CER GRM31M3C2H3R0CY21L (GRM42-6 CJ) | T | 43.6/147.2 |
| C454 | 4030011020 | S.CER GRM31M4C2H1R0CY21L (GRM42-6 CK) | T | 55.7/144.1 |
| C455 | 4030011040 | S.CER GRM31M4C2H2R0CY21L (GRM42-6 CK) | T | 47.5/145.6 |
| C456 | 4030019420 | S.CER GRM31A7U2J102JW31D | T | 64.5/140.5 |
| C457 | 4030019420 | S.CER GRM31A7U2J102JW31D | T | 64.5/142.6 |
| C471 | 4030011070 | S.CER GRM31M2C2H5R0CY21L (GRM42-6 CH) | T | 61.5/133.4 |
| C472 | 4030011100 | S.CER GRM31M2C2H8R0DV01L (GRM42-6 CH) | T | 51.2/134.4 |
| C473 | 4030006970 | S.CER C1608 CH 1H 060D-T | T | 35.4/137.2 |
| C474 | 4030006980 | S.CER C1608 CH 1H 070D-T | T | 33.9/138.7 |
| C475 | 4030011040 | S.CER GRM31M4C2H2R0CY21L (GRM42-6 CK) | T | 61.5/131.3 |
| C477 | 4030009520 | S.CER C1608 CH 1H 020B-T | T | 35.0/129.4 |
| C478 | 4030008560 | S.CER C1608 CH 1H 300J-T | T | 33.9/135.9 |
| C482 | 4030006860 | S.CER C1608 JB 1H 102K-T | T | 27.8/135.4 |
| C483 | 4030006860 | S.CER C1608 JB 1H 102K-T | T | 22.1/140.2 |
| C484 | 4030006860 | S.CER C1608 JB 1H 102K-T | T | 28.3/132.8 |
| C491 | 4030006860 | S.CER C1608 JB 1H 102K-T | T | 13.1/119.2 |
| C492 | 4030006860 | S.CER C1608 JB 1H 102K-T | B | 27.4/119.4 |
| C501 | 4030007170 | S.CER C1608 CH 1H 221J-T | B | 36.0/139.3 |
| C502 | | | | |

[PA-B UNIT]

| REF NO. | PARTS NO. | DESCRIPTION | M. | H/V LOCATION |
|---------|------------|---------------------------------------|----|--------------|
| C513 | 4030006860 | S.CER C1608 JB 1H 102K-T | B | 11.6/144.6 |
| C514 | 4030007170 | S.CER C1608 CH 1H 221J-T | B | 13.5/151.9 |
| C515 | 4030006860 | S.CER C1608 JB 1H 102K-T | B | 11.9/151.9 |
| C516 | 4030009520 | S.CER C1608 CH 1H 020B-T | B | 25.2/148.7 |
| C521 | 4030006860 | S.CER C1608 JB 1H 102K-T | T | 10.3/139.5 |
| C522 | 4030007170 | S.CER C1608 CH 1H 221J-T | T | 10.3/138.2 |
| C523 | 4030006860 | S.CER C1608 JB 1H 102K-T | T | 10.3/136.9 |
| C531 | 4030007170 | S.CER C1608 CH 1H 221J-T | B | 2.5/136.1 |
| C532 | 4030007170 | S.CER C1608 CH 1H 221J-T | B | 8.2/136.1 |
| C533 | 4030006850 | S.CER C1608 JB 1H 471K-T | B | 9.6/136.1 |
| C541 | 4030007170 | S.CER C1608 CH 1H 221J-T | B | 2.7/132.3 |
| C542 | 4030007170 | S.CER C1608 CH 1H 221J-T | T | 6.0/131.3 |
| C543 | 4030007170 | S.CER C1608 CH 1H 221J-T | B | 4.3/132.3 |
| C544 | 4030006860 | S.CER C1608 JB 1H 102K-T | T | 7.3/131.3 |
| C546 | 4030006850 | S.CER C1608 JB 1H 471K-T | B | 5.8/132.3 |
| C547 | 4030006860 | S.CER C1608 JB 1H 102K-T | T | 10.3/134.5 |
| C551 | 4030011600 | S.CER C1608 JB 1E 104K-T | B | 56.5/18.2 |
| C552 | 4030011600 | S.CER C1608 JB 1E 104K-T | B | 56.5/11.4 |
| C561 | 4030011600 | S.CER C1608 JB 1E 104K-T | T | 68.4/16.3 |
| C581 | 4030011600 | S.CER C1608 JB 1E 104K-T | T | 49.9/12.7 |
| C582 | 4030011600 | S.CER C1608 JB 1E 104K-T | T | 49.9/7.3 |
| C593 | 4030011600 | S.CER C1608 JB 1E 104K-T | T | 67.9/7.3 |
| C594 | 4030011600 | S.CER C1608 JB 1E 104K-T | T | 68.4/12.6 |
| C706 | 4030011210 | S.CER GRM31M2C2H330JV01L (GRM42-6 CH) | T | 122.7/54.7 |
| C707 | 4030011190 | S.CER GRM31M2C2H270JV01L (GRM42-6 CH) | T | 124.3/51.1 |
| C709 | 4030011230 | S.CER GRM31M2C2H390JV01L (GRM42-6 CH) | T | 125.9/56.8 |
| C710 | 4030018470 | S.CER ERF22X 6C2H 220J D01L | T | 123.1/64.8 |
| C711 | 4030018050 | S.CER ERF22X 6C2H 270J D01L | T | 125.5/64.8 |
| C712 | 4030019420 | S.CER GRM31A7U2J102JW31D | B | 123.2/58.7 |
| C713 | 4030019420 | S.CER GRM31A7U2J102JW31D | B | 127.0/62.1 |
| C715 | 4030011230 | S.CER GRM31M2C2H390JV01L (GRM42-6 CH) | T | 137.5/70.0 |
| C718 | 4030011230 | S.CER GRM31M2C2H390JV01L (GRM42-6 CH) | T | 114.6/70.0 |
| C720 | 4030011550 | S.CER GRM31M2C2H680JV01L (GRM42-6 CH) | T | 118.1/59.2 |
| C721 | 4030011550 | S.CER GRM31M2C2H680JV01L (GRM42-6 CH) | T | 133.6/59.2 |
| C722 | 4030011550 | S.CER GRM31M2C2H680JV01L (GRM42-6 CH) | T | 115.7/59.2 |
| C723 | 4030011550 | S.CER GRM31M2C2H680JV01L (GRM42-6 CH) | T | 136.1/59.2 |
| C724 | 4030003810 | S.MIC UC342H 1200J-T | T | 124.1/93.4 |
| C725 | 4030003810 | S.MIC UC342H 1200J-T | T | 127.8/93.4 |
| C726 | 4030011160 | S.CER GRM31M2C2H150JV01L (GRM42-6 CH) | T | 128.1/111.9 |
| C727 | 4030011140 | S.CER GRM31M2C2H120JV01L (GRM42-6 CH) | T | 125.9/111.9 |
| C728 | 4030011160 | S.CER GRM31M2C2H150JV01L (GRM42-6 CH) | T | 123.7/111.9 |
| C729 | 4030011090 | S.CER GRM31M2C2H7R0DV01L (GRM42-6 CH) | T | 123.2/117.8 |
| C730 | 4030017980 | S.CER ERF22X 6C2H 470J D01L | T | 128.0/117.9 |
| C732 | 4030011160 | S.CER GRM31M2C2H150JV01L (GRM42-6 CH) | T | 121.7/124.4 |
| C733 | 4030011160 | S.CER GRM31M2C2H150JV01L (GRM42-6 CH) | T | 121.7/122.3 |
| C737 | 4030011090 | S.CER GRM31M2C2H7R0DV01L (GRM42-6 CH) | T | 125.3/117.8 |
| C740 | 4030006980 | S.CER C1608 CH 1H 070D-T | T | 93.9/99.0 |
| C741 | 4030007170 | S.CER C1608 CH 1H 221J-T | B | 92.0/101.6 |
| C742 | 4030011600 | S.CER C1608 JB 1E 104K-T | B | 92.0/99.8 |
| C743 | 4510009300 | S.ELE EEEHB1H2R2R | T | 81.7/104.3 |
| C744 | 4030007170 | S.CER C1608 CH 1H 221J-T | B | 88.8/84.2 |
| C745 | 4030006880 | S.CER C1608 JB 1H 472K-T | B | 87.2/84.2 |
| C746 | 4030011600 | S.CER C1608 JB 1E 104K-T | B | 85.6/84.2 |
| C747 | 4030007170 | S.CER C1608 CH 1H 221J-T | B | 84.0/84.2 |
| C748 | 4510009880 | S.ELE EEEHBC471UAP | T | 77.6/92.9 |
| C749 | 4510009880 | S.ELE EEEHBC471UAP | T | 72.1/71.8 |
| C750 | 4030006900 | S.CER C1608 JB 1H 103K-T | T | 127.2/129.9 |
| C751 | 4030006860 | S.CER C1608 JB 1H 102K-T | T | 128.5/129.9 |
| C752 | 4030007090 | S.CER C1608 CH 1H 470J-T | T | 131.1/129.9 |
| C753 | 4030011340 | S.CER C1608 CH 1H 471J-T | T | 129.8/129.9 |
| C754 | 4030006900 | S.CER C1608 JB 1H 103K-T | T | 130.6/135.2 |
| C755 | 4030019420 | S.CER GRM31A7U2J102JW31D | T | 119.2/53.1 |
| C756 | 4030011210 | S.CER GRM31M2C2H330JV01L (GRM42-6 CH) | T | 124.3/49.0 |
| C757 | 4030006900 | S.CER C1608 JB 1H 103K-T | T | 126.4/134.3 |
| C758 | 4030006900 | S.CER C1608 JB 1H 103K-T | T | 118.6/137.7 |
| C761 | 4030017810 | S.CER C1608 CH 1H 102J-T | T | 143.8/126.9 |
| C764 | 4030011730 | S.CER GRM31M2C2H101JV01L (GRM42-6 CH) | B | 106.4/137.4 |
| C765 | 4030011180 | S.CER GRM31M2C2H220JV01L (GRM42-6 CH) | B | 106.4/139.8 |
| C767 | 4030006860 | S.CER C1608 JB 1H 102K-T | T | 139.7/126.1 |
| C769 | 4030006860 | S.CER C1608 JB 1H 102K-T | B | 139.3/125.8 |
| C770 | 4030007020 | S.CER C1608 CH 1H 120J-T | T | 146.4/126.9 |
| C771 | 4030011160 | S.CER GRM31M2C2H150JV01L (GRM42-6 CH) | B | 115.2/124.9 |
| C772 | 4030011040 | S.CER GRM31M4C2H2R0CY21L (GRM42-6 CK) | T | 96.6/123.7 |
| C773 | 4030017960 | S.CER ERF22X 6C2H 330J D01L | T | 98.9/126.7 |
| C774 | 4030011040 | S.CER GRM31M4C2H2R0CY21L (GRM42-6 CK) | T | 93.2/130.5 |
| C775 | 4030011190 | S.CER GRM31M2C2H270JV01L (GRM42-6 CH) | T | 98.1/131.5 |
| C776 | 4030011070 | S.CER GRM31M2C2H5R0CY21L (GRM42-6 CH) | T | 98.1/134.1 |
| C777 | 4030011160 | S.CER GRM31M2C2H150JV01L (GRM42-6 CH) | B | 105.8/143.4 |
| C802 | 4030006860 | S.CER C1608 JB 1H 102K-T | B | 115.4/146.6 |
| C803 | 4030007130 | S.CER C1608 CH 1H 101J-T | B | 118.2/146.9 |

[PA-B UNIT]

| REF NO. | PARTS NO. | DESCRIPTION | M. | H/V LOCATION |
|---------|------------|---------------------------------------|----|--------------|
| C811 | 4030007130 | S.CER C1608 CH 1H 101J-T | B | 140.0/148.3 |
| C812 | 4030006970 | S.CER C1608 CH 1H 060D-T | B | 137.3/147.2 |
| C813 | 4030007130 | S.CER C1608 CH 1H 101J-T | B | 142.9/146.9 |
| C814 | 4030009910 | S.CER C1608 CH 1H 040B-T | B | 128.1/148.2 |
| C815 | 4030009910 | S.CER C1608 CH 1H 040B-T | B | 126.7/151.5 |
| C821 | 4030006860 | S.CER C1608 JB 1H 102K-T | T | 141.9/139.5 |
| C822 | 4030011600 | S.CER C1608 JB 1E 104K-T | T | 140.0/141.1 |
| C823 | 4030006850 | S.CER C1608 JB 1H 471K-T | T | 141.9/140.7 |
| C824 | 4030011040 | S.CER GRM31M4C2H2R0CY21L (GRM42-6 CK) | T | 127.3/148.9 |
| C825 | 4030006860 | S.CER C1608 JB 1H 102K-T | T | 138.6/141.1 |
| C831 | 4030007170 | S.CER C1608 CH 1H 221J-T | T | 146.0/148.4 |
| C832 | 4030006860 | S.CER C1608 JB 1H 102K-T | T | 146.0/145.6 |
| C833 | 4030006850 | S.CER C1608 JB 1H 471K-T | T | 152.6/141.5 |
| C841 | 4030006850 | S.CER C1608 JB 1H 471K-T | T | 16.5/121.1 |
| C842 | 4510009910 | S.ELE 16 CE 10 LH | T | 19.3/116.9 |
| C843 | 4030006850 | S.CER C1608 JB 1H 471K-T | T | 21.4/121.1 |
| C844 | 4030006850 | S.CER C1608 JB 1H 471K-T | T | 17.7/121.0 |
| C845 | 4030018980 | S.CER C1608 JB 1H 104K-T | T | 14.8/125.0 |
| C851 | 4030006860 | S.CER C1608 JB 1H 102K-T | B | 147.5/55.2 |
| C853 | 4030006860 | S.CER C1608 JB 1H 102K-T | B | 133.4/60.8 |
| C861 | 4030006860 | S.CER C1608 JB 1H 102K-T | B | 147.5/50.8 |
| C863 | 4030006860 | S.CER C1608 JB 1H 102K-T | B | 110.0/62.5 |
| C901 | 4030011600 | S.CER C1608 JB 1E 104K-T | B | 35.8/12.0 |
| C902 | 4030011600 | S.CER C1608 JB 1E 104K-T | B | 34.2/11.3 |
| C903 | 4030011600 | S.CER C1608 JB 1E 104K-T | B | 39.0/12.0 |
| C904 | 4030011600 | S.CER C1608 JB 1E 104K-T | B | 37.4/11.3 |
| C905 | 4030011600 | S.CER C1608 JB 1E 104K-T | B | 46.2/14.6 |
| C906 | 4030011600 | S.CER C1608 JB 1E 104K-T | B | 41.4/17.1 |
| C907 | 4030011600 | S.CER C1608 JB 1E 104K-T | B | 40.6/11.3 |
| C908 | 4030006860 | S.CER C1608 JB 1H 102K-T | B | 6.6/25.0 |
| C909 | 4030006860 | S.CER C1608 JB 1H 102K-T | T | 7.2/19.9 |
| C910 | 4030006860 | S.CER C1608 JB 1H 102K-T | T | 4.4/26.3 |
| C912 | 4030006860 | S.CER C1608 JB 1H 102K-T | T | 12.3/7.5 |
| C913 | 4030006860 | S.CER C1608 JB 1H 102K-T | T | 12.3/8.8 |
| C914 | 4030006860 | S.CER C1608 JB 1H 102K-T | B | 32.4/5.4 |
| C915 | 4030006860 | S.CER C1608 JB 1H 102K-T | B | 30.9/10.5 |
| C916 | 4030006860 | S.CER C1608 JB 1H 102K-T | T | 29.7/6.3 |
| C917 | 4030006860 | S.CER C1608 JB 1H 102K-T | T | 26.0/14.0 |
| C918 | 4030006860 | S.CER C1608 JB 1H 102K-T | B | 25.9/16.6 |
| C919 | 4030006860 | S.CER C1608 JB 1H 102K-T | B | 27.5/15.6 |
| C920 | 4030006860 | S.CER C1608 JB 1H 102K-T | B | 29.1/14.9 |
| C921 | 4030006860 | S.CER C1608 JB 1H 102K-T | B | 6.1/15.6 |
| C931 | 4030007090 | S.CER C1608 CH 1H 470J-T | B | 25.7/13.2 |
| C932 | 4030007090 | S.CER C1608 CH 1H 470J-T | B | 24.1/14.9 |
| C933 | 4030007090 | S.CER C1608 CH 1H 470J-T | B | 22.6/15.6 |
| C934 | 4030011600 | S.CER C1608 JB 1E 104K-T | T | 42.8/12.6 |
| C935 | 4030019560 | S.CER GRM21BB31C106KE15L | B | 9.9/15.3 |
| C936 | 4030011600 | S.CER C1608 JB 1E 104K-T | B | 7.9/15.6 |
| C937 | 4030011600 | S.CER C1608 JB 1E 104K-T | B | 15.5/17.6 |
| C938 | 4030019560 | S.CER GRM21BB31C106KE15L | B | 18.9/15.1 |
| C941 | 4030012610 | S.CER C2012 JB 1C 474K-T | T | 12.8/14.0 |
| C942 | 4030012610 | S.CER C2012 JB 1C 474K-T | T | 15.9/22.1 |
| C943 | 4030006860 | S.CER C1608 JB 1H 102K-T | T | 17.0/5.5 |
| C944 | 4030006860 | S.CER C1608 JB 1H 102K-T | T | 19.9/5.6 |
| C945 | 4030006860 | S.CER C1608 JB 1H 102K-T | T | 21.8/6.3 |
| C946 | 4030006860 | S.CER C1608 JB 1H 102K-T | T | 24.7/5.6 |
| C947 | 4030006860 | S.CER C1608 JB 1H 102K-T | T | 27.3/5.2 |
| C948 | 4030006860 | S.CER C1608 JB 1H 102K-T | T | 26.0/5.5 |
| C951 | 4030011600 | S.CER C1608 JB 1E 104K-T | B | 151.8/66.2 |
| C952 | 4030011600 | S.CER C1608 JB 1E 104K-T | B | 153.4/66.2 |
| C954 | 4030006900 | S.CER C1608 JB 1H 103K-T | B | 23.2/9.5 |
| C961 | 4030011600 | S.CER C1608 JB 1E 104K-T | B | 7.4/36.6 |
| C962 | 4030011600 | S.CER C1608 JB 1E 104K-T | B | 5.8/36.6 |
| C964 | 4030006900 | S.CER C1608 JB 1H 103K-T | B | 28.6/10.8 |
| C974 | 4030011340 | S.CER C1608 CH 1H 471J-T | T | 154.7/128.4 |
| C984 | 4030011340 | S.CER C1608 CH 1H 471J-T | T | 3.4/129.7 |
| C985 | 4030011340 | S.CER C1608 CH 1H 471J-T | T | 16.2/26.1 |
| C986 | 4030011340 | S.CER C1608 CH 1H 471J-T | T | 141.7/4.7 |
| RL751 | 6330001890 | REL EC2-3NU | | |
| CP955 | 6910009670 | S.CHE HK3-S-T | T | 153.5/50.4 |
| CP956 | 6910009670 | S.CHE HK3-S-T | T | 153.5/53.7 |
| CP965 | 6910009670 | S.CHE HK3-S-T | T | 9.6/35.7 |
| CP966 | 6910009670 | S.CHE HK3-S-T | T | 9.6/32.4 |
| J101 | 6510028210 | CON SJ050010 (TMP-J01X-V6) | | |
| J471 | 6510028210 | CON SJ050010 (TMP-J01X-V6) | | |
| J761 | 6510028210 | CON SJ050010 (TMP-J01X-V6) | | |
| J901 | 6510019981 | S.CON 52808-1671(1690) | T | 24.5/9.7 |
| J931 | 6510018921 | S.CON B8B-PH-SM4-TB(LF)(SN) | T | 152.0/37.9 |
| W431 | 9045201001 | WIR 74/98/040/X98/X98 | | |
| W801 | 7030012280 | JUM RD25TOR0 | | |
| EP211 | 6910014730 | S.BEA MPZ2012S331A-T | T | 112.9/19.6 |
| EP341 | 6910012350 | S.BEA MMZ1608Y 102BT | B | 132.0/36.0 |
| EP431 | 6910000610 | BEA FSRH050100RN000B (FSOH050RN01) | | |
| EP432 | 6910000610 | BEA FSRH050100RN000B (FSOH050RN01) | | |
| EP441 | 6910014730 | S.BEA MPZ2012S331A-T | T | 28.0/23.8 |
| EP442 | 6910014730 | S.BEA MPZ2012S331A-T | T | 36.1/22.3 |
| EP511 | 6910012350 | S.BEA MMZ1608Y 102BT | B | 10.8/146.9 |
| EP521 | 6910014730 | S.BEA MPZ2012S331A-T | T | 12.5/136.4 |
| EP522 | 6910014730 | S.BEA MPZ2012S331A-T | T | 12.5/140.0 |
| EP531 | 6910012350 | S.BEA MMZ1608Y 102BT | B | 4.7/135.3 |
| EP541 | 6910012350 | S.BEA MMZ1608Y 102BT | B | 3.5/128.6 |
| EP542 | 6910014730 | S.BEA MPZ2012S331A-T | T | 12.7/127.8 |

M.=Mounted side (T: Mounted on the Top side, B: Mounted on the Bottom side)
S.=Surface mount

[PA-B UNIT]

| REF NO. | PARTS NO. | DESCRIPTION | M. | H/V LOCATION |
|---------|------------|-------------------------|----|--------------|
| EP831 | 6910014730 | S.BEA MPZ2012S331A-T | T | 147.6/147.4 |
| EP912 | 6910014730 | S.BEA MPZ2012S331A-T | T | 12.7/10.8 |
| EP913 | 6910019900 | S.BEA MPZ1608S601AT | B | 27.5/19.1 |
| EP914 | 6910019900 | S.BEA MPZ1608S601AT | B | 30.6/15.6 |
| EP916 | 6910015970 | S.BEA MMZ1608B 301CT-AS | T | 30.0/17.5 |
| EP918 | 6910015970 | S.BEA MMZ1608B 301CT-AS | T | 31.8/16.2 |
| EP921 | 6910020710 | E.O OT-047 M3 | | |
| EP922 | 6910020710 | E.O OT-047 M3 | | |
| EP923 | 6910014730 | S.BEA MPZ2012S331A-T | T | 24.4/15.3 |

[CTRL UNIT]

| REF NO. | PARTS NO. | DESCRIPTION | M. | H/V LOCATION |
|---------|------------|---------------------------------------|----|--------------|
| IC31 | 1110000960 | S.IC NJM4558M-TE1-#FMZB | B | 14.0/51.3 |
| IC41 | 1110003800 | S.IC NJM2904V-TE1-#FMZB | T | 12.9/40.0 |
| IC111 | 1120002301 | S.IC TC74AC04F(F) S | T | 29.3/50.7 |
| IC121 | 1120002252 | S.IC TC74ACT32F(F) | T | 30.0/48.0 |
| IC131 | 1120002242 | S.IC TC74AC112F(F) | T | 31.8/39.4 |
| IC171 | 1110000960 | S.IC NJM4558M-TE1-#FMZB | B | 44.2/42.8 |
| IC431 | 1110002690 | S.IC NJM2903M-TE1-#FMZB | B | 67.3/141.3 |
| IC701 | 1140015072 | S.IC R5F212A7SNFP(SX-3073B-2) | T | 66.0/39.0 |
| IC702 | 1130011570 | S.IC BR24L32FV-WE2 | T | 55.9/28.4 |
| IC801 | 1180001072 | S.IC TA7805F(TE16L1NQ) | T | 38.5/26.8 |
| IC811 | 1110005920 | S.IC S-80851CNMC-B9CT2G | T | 44.2/17.8 |
| IC841 | 1130012620 | S.IC SN74AHC1G86DCKR | T | 58.7/18.1 |
| Q151 | 1560000871 | S.FET 2SK515-T1B-A (X33) | B | 43.8/52.4 |
| Q153 | 1590003770 | S.TRA KRA302E-RTK/P | T | 50.1/40.7 |
| Q203 | 1590003680 | S.TRA KRC402 RTK/P | B | 45.2/78.5 |
| Q281 | 1520000561 | S.TRA 2SB1123 T-TD-E | B | 63.7/61.5 |
| Q282 | 1540000441 | S.TRA 2SD1619T-TD-E | B | 68.3/87.2 |
| Q283 | 1590003680 | S.TRA KRC402 RTK/P | B | 67.6/55.9 |
| Q303 | 1590003680 | S.TRA KRC402 RTK/P | B | 77.3/105.7 |
| Q353 | 1590003680 | S.TRA KRC402 RTK/P | B | 67.9/118.6 |
| Q503 | 1590003680 | S.TRA KRC402 RTK/P | T | 62.8/145.6 |
| Q603 | 1530003900 | S.TRA KTC4075 BL-RTK/P | T | 76.6/113.9 |
| Q604 | 1590003680 | S.TRA KRC402 RTK/P | B | 76.9/112.1 |
| Q621 | 1590003770 | S.TRA KRA302E-RTK/P | T | 76.7/111.1 |
| Q651 | 1530003960 | S.TRA KTC2875-B-RTK/P | B | 77.1/115.8 |
| Q810 | 1590003680 | S.TRA KRC402 RTK/P | T | 49.7/4.6 |
| Q811 | 1590003680 | S.TRA KRC402 RTK/P | T | 79.4/16.3 |
| Q820 | 1590003680 | S.TRA KRC402 RTK/P | T | 78.5/13.7 |
| Q821 | 1590003770 | S.TRA KRA302E-RTK/P | T | 74.6/19.7 |
| Q822 | 1590003680 | S.TRA KRC402 RTK/P | T | 75.0/17.4 |
| Q831 | 1590003680 | S.TRA KRC402 RTK/P | B | 54.3/18.0 |
| Q832 | 1590003680 | S.TRA KRC402 RTK/P | B | 50.0/20.0 |
| Q851 | 1590003680 | S.TRA KRC402 RTK/P | B | 57.7/23.2 |
| Q861 | 1590003680 | S.TRA KRC402 RTK/P | B | 64.6/19.4 |
| Q1001 | 1590003680 | S.TRA KRC402 RTK/P | B | 17.4/10.2 |
| Q1002 | 1590003680 | S.TRA KRC402 RTK/P | B | 19.1/13.4 |
| Q1003 | 1590003680 | S.TRA KRC402 RTK/P | B | 21.4/9.9 |
| Q1004 | 1590003680 | S.TRA KRC402 RTK/P | B | 23.1/13.1 |
| Q1005 | 1590003680 | S.TRA KRC402 RTK/P | B | 24.8/9.9 |
| Q1006 | 1590003680 | S.TRA KRC402 RTK/P | B | 26.5/13.4 |
| Q1007 | 1590003680 | S.TRA KRC402 RTK/P | B | 28.5/10.2 |
| Q1008 | 1590003680 | S.TRA KRC402 RTK/P | B | 30.5/13.4 |
| D11 | 1790000491 | S.DIO HSM88ASTR-E | T | 8.7/54.7 |
| D12 | 1790000491 | S.DIO HSM88ASTR-E | T | 19.2/54.7 |
| D31 | 1750000201 | S.DIO 1SS319(TE85RF) | T | 13.9/45.1 |
| D101 | 1790000491 | S.DIO HSM88ASTR-E | B | 24.9/54.7 |
| D102 | 1790000491 | S.DIO HSM88ASTR-E | B | 32.3/55.3 |
| D131 | 1790000491 | S.DIO HSM88ASTR-E | B | 30.3/36.4 |
| D132 | 1790000491 | S.DIO HSM88ASTR-E | B | 36.0/39.5 |
| D151 | 1790000491 | S.DIO HSM88ASTR-E | B | 50.1/57.7 |
| D152 | 1790000491 | S.DIO HSM88ASTR-E | B | 39.1/57.7 |
| D171 | 1750000201 | S.DIO 1SS319(TE85RF) | T | 41.2/46.9 |
| D201 | 1750001320 | S.DIO KDS4148U RTK/P | T | 44.5/79.5 |
| D251 | 1710000140 | DIO U05G | B | |
| D301 | 1750001320 | S.DIO KDS4148U RTK/P | B | 68.3/102.9 |
| D351 | 1750001320 | S.DIO KDS4148U RTK/P | B | 68.9/112.0 |
| D401 | 1790000491 | S.DIO HSM88ASTR-E | B | 65.7/132.4 |
| D402 | 1790000491 | S.DIO HSM88ASTR-E | B | 68.1/128.3 |
| D501 | 1750001320 | S.DIO KDS4148U RTK/P | B | 66.3/146.8 |
| D601 | 1750001320 | S.DIO KDS4148U RTK/P | B | 74.4/113.9 |
| D602 | 1790000981 | S.DIO MA3J7420GL | T | 78.0/118.1 |
| D621 | 1750001320 | S.DIO KDS4148U RTK/P | T | 74.8/136.8 |
| D651 | 1750000851 | S.DIO MMBV3700LT1G | B | 77.5/119.3 |
| D652 | 1750000851 | S.DIO MMBV3700LT1G | B | 77.8/122.9 |
| D802 | 1750001320 | S.DIO KDS4148U RTK/P | T | 38.3/16.9 |
| D1001 | 1750000201 | S.DIO 1SS319(TE85RF) | T | 29.8/18.6 |
| D1002 | 1750000201 | S.DIO 1SS319(TE85RF) | T | 26.3/18.6 |
| D1003 | 1750000201 | S.DIO 1SS319(TE85RF) | T | 21.8/18.6 |
| D1004 | 1750000201 | S.DIO 1SS319(TE85RF) | T | 18.3/18.6 |
| X701 | 6050009520 | S.XTA CR-520 SMD-49 19.6608 MHz <KDS> | T | 65.9/26.8 |
| L11 | 6140003270 | COI LR-364 (TR10X5X5 3A6) | | |
| L101 | 6140003270 | COI LR-364 (TR10X5X5 3A6) | | |
| L102 | 6200005011 | S.COI NLV25T-100J | B | 18.75/44.3 |
| L151 | 6140003270 | COI LR-364 (TR10X5X5 3A6) | | |
| L152 | 6180003300 | COI T6-222J (2.2M) | | |
| L171 | 6200005011 | S.COI NLV25T-100J | B | 40.0/32.6 |
| L172 | 6200002041 | S.COI NLV25T-101J | B | 10.1/45.7 |
| L252 | 6140004740 | COI LR-533 | | |
| L254 | 6140004740 | COI LR-533 | | |
| L401 | 6140003270 | COI LR-364 (TR10X5X5 3A6) | | |
| L402 | 6180003300 | COI T6-222J (2.2M) | | |
| L431 | 6200002041 | S.COI NLV25T-101J | T | 27.6/49.6 |
| L621 | 6110001640 | COI LA-247 | | |
| L622 | 6110004020 | COI LA-624 | | |
| L623 | 6110001630 | COI LA-246 | | |
| L701 | 6200009300 | S.COI ELJPA 100KF 10U | B | 53.4/33.4 |
| L702 | 6200002041 | S.COI NLV25T-101J | B | 52.6/30.7 |
| L841 | 6200002041 | S.COI NLV25T-101J | T | 54.7/20.6 |
| L1001 | 6200005131 | S.COI NLC453232T-101K-PF | T | 34.5/17.9 |
| L1201 | 6200005011 | S.COI NLV25T-100J | T | 75.6/12.7 |
| R11 | 7030010910 | S.RES ERJ1TYJ 150U (15) | T | 12.0/51.8 |
| R12 | 7030010910 | S.RES ERJ1TYJ 150U (15) | T | 15.8/51.8 |
| R13 | 7030003560 | S.RES ERJ3GEYJ 103 V (10K) | T | 8.0/51.8 |
| R14 | 7030003560 | S.RES ERJ3GEYJ 103 V (10K) | T | 19.1/52.3 |

M.=Mounted side (T: Mounted on the Top side, B: Mounted on the Bottom side)
S.=Surface mount

[CTRL UNIT]

| REF NO. | PARTS NO. | DESCRIPTION | M. | H/V LOCATION |
|---------|------------|-----------------------------|----|--------------|
| R15 | 7030003720 | S.RES ERJ3GEYJ 224 V (220K) | T | 8.3/49.1 |
| R16 | 7030003720 | S.RES ERJ3GEYJ 224 V (220K) | T | 19.5/50.3 |
| R17 | 7030003670 | S.RES ERJ3GEYJ 823 V (82K) | T | 8.3/45.8 |
| R18 | 7030003670 | S.RES ERJ3GEYJ 823 V (82K) | T | 19.5/47.6 |
| R19 | 7030003860 | S.RES ERJ3GE JPW V | T | 9.5/45.8 |
| R20 | 7030003860 | S.RES ERJ3GE JPW V | T | 18.3/47.6 |
| R21 | 7030003640 | S.RES ERJ3GEYJ 473 V (47K) | T | 18.6/42.7 |
| R31 | 7030003720 | S.RES ERJ3GEYJ 224 V (220K) | B | 13.2/55.3 |
| R32 | 7030003720 | S.RES ERJ3GEYJ 224 V (220K) | B | 15.6/54.7 |
| R33 | 7030003790 | S.RES ERJ3GEYJ 824 V (820K) | B | 19.1/52.6 |
| R34 | 7030003800 | S.RES ERJ3GEYJ 105 V (1M) | B | 8.9/51.4 |
| R35 | 7030003440 | S.RES ERJ3GEYJ 102 V (1K) | B | 7.3/51.4 |
| R36 | 7030003440 | S.RES ERJ3GEYJ 102 V (1K) | B | 20.7/52.6 |
| R43 | 7030003860 | S.RES ERJ3GE JPW V | T | 17.5/38.75 |
| R44 | 7030003860 | S.RES ERJ3GE JPW V | T | 8.3/40.0 |
| R45 | 7030003860 | S.RES ERJ3GE JPW V | T | 7.1/38.5 |
| R46 | 7030003500 | S.RES ERJ3GEYJ 332 V (3.3K) | T | 16.8/36.9 |
| R101 | 7030010540 | S.RES ERJ1TYJ 330U (33) | B | 30.7/63.4 |
| R102 | 7030003860 | S.RES ERJ3GE JPW V | B | 29.2/56.3 |
| R104 | 7030003320 | S.RES ERJ3GEYJ 101 V (100) | B | 31.4/57.7 |
| R105 | 7030003320 | S.RES ERJ3GEYJ 101 V (100) | B | 23.7/57.4 |
| R111 | 7030003860 | S.RES ERJ3GE JPW V | T | 23.5/52.0 |
| R112 | 7030003800 | S.RES ERJ3GEYJ 105 V (1M) | T | 34.4/50.3 |
| R113 | 7030003800 | S.RES ERJ3GEYJ 105 V (1M) | T | 23.5/50.8 |
| R114 | 7030003280 | S.RES ERJ3GEYJ 470 V (47) | T | 23.5/49.6 |
| R115 | 7030003280 | S.RES ERJ3GEYJ 470 V (47) | B | 35.6/51.3 |
| R116 | 7030003440 | S.RES ERJ3GEYJ 102 V (1K) | T | 23.5/48.4 |
| R117 | 7030003440 | S.RES ERJ3GEYJ 102 V (1K) | B | 37.2/51.3 |
| R118 | 7030003860 | S.RES ERJ3GE JPW V | T | 21.5/53.6 |
| R121 | 7030003280 | S.RES ERJ3GEYJ 470 V (47) | B | 30.7/40.3 |
| R122 | 7030003280 | S.RES ERJ3GEYJ 470 V (47) | B | 30.7/41.9 |
| R123 | 7030003280 | S.RES ERJ3GEYJ 470 V (47) | T | 29.1/44.5 |
| R124 | 7030003440 | S.RES ERJ3GEYJ 102 V (1K) | B | 27.6/41.9 |
| R125 | 7030003440 | S.RES ERJ3GEYJ 102 V (1K) | B | 27.6/40.3 |
| R126 | 7030003440 | S.RES ERJ3GEYJ 102 V (1K) | T | 31.7/44.5 |
| R131 | 7030003250 | S.RES ERJ3GEYJ 270 V (27) | T | 32.9/34.3 |
| R132 | 7030003280 | S.RES ERJ3GEYJ 470 V (47) | T | 32.9/33.0 |
| R133 | 7030003480 | S.RES ERJ3GEYJ 222 V (2.2K) | B | 33.0/37.7 |
| R134 | 7030003500 | S.RES ERJ3GEYJ 332 V (3.3K) | B | 31.0/33.9 |
| R135 | 7030003360 | S.RES ERJ3GEYJ 221 V (220) | B | 35.0/34.5 |
| R151 | 7030010550 | S.RES ERJ1TYJ 820U (82) | B | 45.6/63.2 |
| R152 | 7030003560 | S.RES ERJ3GEYJ 103 V (10K) | B | 39.8/54.9 |
| R153 | 7030003560 | S.RES ERJ3GEYJ 103 V (10K) | B | 49.3/54.0 |
| R154 | 7030003800 | S.RES ERJ3GEYJ 105 V (1M) | B | 39.0/52.6 |
| R155 | 7030003560 | S.RES ERJ3GEYJ 103 V (10K) | B | 41.1/52.2 |
| R156 | 7030003520 | S.RES ERJ3GEYJ 472 V (4.7K) | B | 42.2/49.1 |
| R157 | 7030003440 | S.RES ERJ3GEYJ 102 V (1K) | B | 40.6/49.0 |
| R158 | 7030004710 | S.RES ERJ3GEYJ 475 V (4.7M) | B | 39.0/49.5 |
| R171 | 7030003480 | S.RES ERJ3GEYJ 222 V (2.2K) | B | 33.4/34.6 |
| R172 | 7030003560 | S.RES ERJ3GEYJ 103 V (10K) | B | 46.2/48.3 |
| R173 | 7030003580 | S.RES ERJ3GEYJ 153 V (15K) | T | 42.9/43.8 |
| R174 | 7030003530 | S.RES ERJ3GEYJ 562 V (5.6K) | T | 41.7/38.1 |
| R175 | 7030003680 | S.RES ERJ3GEYJ 104 V (100K) | B | 37.3/35.2 |
| R176 | 7030003540 | S.RES ERJ3GEYJ 682 V (6.8K) | T | 45.7/41.4 |
| R177 | 7030003540 | S.RES ERJ3GEYJ 682 V (6.8K) | T | 47.1/41.4 |
| R178 | 7030003680 | S.RES ERJ3GEYJ 104 V (100K) | B | 48.9/46.3 |
| R181 | 7030003670 | S.RES ERJ3GEYJ 823 V (82K) | T | 43.5/42.0 |
| R182 | 7030003680 | S.RES ERJ3GEYJ 104 V (100K) | T | 43.5/40.6 |
| R183 | 7030003800 | S.RES ERJ3GEYJ 105 V (1M) | B | 38.4/36.8 |
| R184 | 7030003820 | S.RES ERJ3GEYJ 155 V (1.5M) | B | 49.2/43.5 |
| R185 | 7030003560 | S.RES ERJ3GEYJ 103 V (10K) | B | 38.9/39.3 |
| R186 | 7030003560 | S.RES ERJ3GEYJ 103 V (10K) | B | 49.3/47.9 |
| R187 | 7030003560 | S.RES ERJ3GEYJ 103 V (10K) | B | 37.2/42.9 |
| R188 | 7030003560 | S.RES ERJ3GEYJ 103 V (10K) | B | 52.4/47.9 |
| R189 | 7030003680 | S.RES ERJ3GEYJ 104 V (100K) | B | 38.1/45.2 |
| R190 | 7030003680 | S.RES ERJ3GEYJ 104 V (100K) | B | 53.0/45.6 |
| R191 | 7030003680 | S.RES ERJ3GEYJ 104 V (100K) | B | 51.8/50.3 |
| R192 | 7030003680 | S.RES ERJ3GEYJ 104 V (100K) | B | 38.1/46.8 |
| R251 | 7030003480 | S.RES ERJ3GEYJ 222 V (2.2K) | B | 69.5/70.3 |
| R252 | 7030000160 | S.RES MCR10EZJH 15 (150) | B | 65.2/66.3 |
| R253 | 7030000160 | S.RES MCR10EZJH 15 (150) | B | 64.0/87.3 |
| R254 | 7030000160 | S.RES MCR10EZJH 15 (150) | B | 67.2/66.3 |
| R255 | 7030000160 | S.RES MCR10EZJH 15 (150) | B | 62.0/87.3 |
| R281 | 7030012240 | S.RES ERJ1TYJ 471U (470) | B | 66.2/78.0 |
| R282 | 7030003640 | S.RES ERJ3GEYJ 473 V (47K) | B | 62.8/57.2 |
| R283 | 7030003560 | S.RES ERJ3GEYJ 103 V (10K) | B | 67.8/90.4 |
| R284 | 7030003400 | S.RES ERJ3GEYJ 471 V (470) | B | 70.9/91.1 |
| R285 | 7030003340 | S.RES ERJ3GEYJ 151 V (150) | B | 65.9/57.8 |
| R301 | 7540000130 | ABS 2P-50A-301 | | |
| R401 | 7030010910 | S.RES ERJ1TYJ 150U (15) | T | 72.5/126.1 |
| R402 | 7030003650 | S.RES ERJ3GEYJ 563 V (56K) | B | 68.0/134.1 |
| R403 | 7030003700 | S.RES ERJ3GEYJ 154 V (150K) | B | 66.2/135.9 |
| R404 | 7030003560 | S.RES ERJ3GEYJ 103 V (10K) | T | 11.1/27.8 |
| R405 | 7030003680 | S.RES ERJ3GEYJ 104 V (100K) | T | 11.1/29.1 |
| R431 | 7030003610 | S.RES ERJ3GEYJ 273 V (27K) | T | 68.7/138.85 |
| R432 | 7030003660 | S.RES ERJ3GEYJ 683 V (68K) | T | 65.9/143.3 |
| R434 | 7030003680 | S.RES ERJ3GEYJ 104 V (100K) | B | 68.9/136.3 |
| R435 | 7030003840 | S.RES ERJ3GEYJ 225 V (2.2M) | T | 69.0/144.1 |
| R436 | 7030003860 | S.RES ERJ3GE JPW V | T | 69.6/141.9 |
| R437 | 7030003560 | S.RES ERJ3GEYJ 103 V (10K) | T | 67.1/143.3 |
| R602 | 7030003480 | S.RES ERJ3GEYJ 222 V (2.2K) | T | 77.8/116.2 |
| R603 | 7030003680 | S.RES ERJ3GEYJ 104 V (100K) | T | 79.0/113.8 |
| R621 | 7030003360 | S.RES ERJ3GEYJ 221 V (220) | B | 74.5/137.0 |
| R651 | 7030003480 | S.RES ERJ3GEYJ 222 V (2.2K) | T | 79.0/110.7 |
| R652 | 7030003390 | S.RES ERJ3GEYJ 391 V (390) | T | 79.0/112.0 |
| R653 | 7030003520 | S.RES ERJ3GEYJ 472 V (4.7K) | T | 76.0/116.7 |
| R654 | 7030003390 | S.RES ERJ3GEYJ 391 V (390) | B | 86.0/121.1 |
| R655 | 7030003470 | S.RES ERJ3GEYJ 182 V (1.8K) | T | 85.6/120.5 |
| R656 | 7030003520 | S.RES ERJ3GEYJ 472 V (4.7K) | T | 82.1/119.7 |
| R657 | 7030003440 | S.RES ERJ3GEYJ 102 V (1K) | B | 74.9/122.3 |
| R659 | 7030003460 | S.RES ERJ3GEYJ 152 V (1.5K) | T | 85.6/119.2 |
| R700 | 7030003860 | S.RES ERJ3GE JPW V | T | 73.9/53.0 |
| R707 | 7030003640 | S.RES ERJ3GEYJ 473 V (47K) | T | 67.8/47.6 |
| R708 | 7030003860 | S.RES ERJ3GE JPW V | T | 63.0/47.6 |
| R710 | 7030003860 | S.RES ERJ3GE JPW V | T | 55.2/44.7 |

[CTRL UNIT]

| REF NO. | PARTS NO. | DESCRIPTION | M. | H/V LOCATION |
|---------|------------|--|----|--------------|
| R711 | 7030003860 | S.RES ERJ3GE JPW V | T | 55.2/39.6 |
| R712 | 7030003860 | S.RES ERJ3GE JPW V | T | 55.2/38.4 |
| R713 | 7030003520 | S.RES ERJ3GEYJ 472 V (4.7K) | B | 66.8/36.0 |
| R714 | 7030003860 | S.RES ERJ3GE JPW V | B | 36.7/22.0 |
| R715 | 7030003680 | S.RES ERJ3GEYJ 104 V (100K) | B | 68.1/33.8 |
| R717 | 7030003600 | S.RES ERJ3GEYJ 223 V (22K) | T | 58.4/29.5 |
| R718 | 7030003560 | S.RES ERJ3GEYJ 103 V (10K) | T | 55.9/34.0 |
| R720 | 7030003640 | S.RES ERJ3GEYJ 473 V (47K) | T | 66.6/47.6 |
| R721 | 7030003800 | S.RES ERJ3GEYJ 105 V (1M) | T | 65.8/31.5 |
| R809 | 7030003440 | S.RES ERJ3GEYJ 102 V (1K) | T | 77.2/16.5 |
| R810 | 7030003440 | S.RES ERJ3GEYJ 102 V (1K) | B | 77.7/15.5 |
| R811 | 7030003530 | S.RES ERJ3GEYJ 562 V (5.6K) | T | 42.5/15.5 |
| R812 | 7030003590 | S.RES ERJ3GEYJ 183 V (18K) | T | 43.5/20.2 |
| R813 | 7030003470 | S.RES ERJ3GEYJ 182 V (1.8K) | T | 41.9/17.5 |
| R820 | 7030003440 | S.RES ERJ3GEYJ 102 V (1K) | T | 75.2/15.5 |
| R831 | 7030003520 | S.RES ERJ3GEYJ 472 V (4.7K) | B | 49.4/23.1 |
| R833 | 7030003600 | S.RES ERJ3GEYJ 103 V (10K) | B | 52.2/19.8 |
| R841 | 7030003560 | S.RES ERJ3GEYJ 103 V (10K) | B | 53.8/23.1 |
| R842 | 7030003440 | S.RES ERJ3GEYJ 102 V (1K) | B | 54.3/20.7 |
| R901 | 7030003680 | S.RES ERJ3GEYJ 104 V (100K) | T | 57.6/4.8 |
| R902 | 7030003360 | S.RES ERJ3GEYJ 221 V (220) | T | 54.0/4.8 |
| R904 | 7030003440 | S.RES ERJ3GEYJ 102 V (1K) | T | 60.0/4.8 |
| R905 | 7030003400 | S.RES ERJ3GEYJ 471 V (470) | T | 60.7/15.7 |
| R906 | 7030003400 | S.RES ERJ3GEYJ 471 V (470) | T | 61.9/15.7 |
| R907 | 7030003400 | S.RES ERJ3GEYJ 471 V (470) | T | 63.1/15.7 |
| R908 | 7030003400 | S.RES ERJ3GEYJ 471 V (470) | T | 64.3/15.7 |
| R909 | 7030003560 | S.RES ERJ3GEYJ 103 V (10K) | T | 61.2/4.8 |
| R911 | 7030000060 | S.RES MCR10EZJH 2.2 (2R2) | T | 49.2/14.3 |
| R1001 | 7030003380 | S.RES ERJ3GEYJ 331 V (330) | T | 30.8/21.5 |
| R1002 | 7030003380 | S.RES ERJ3GEYJ 331 V (330) | T | 28.9/21.5 |
| R1003 | 7030003380 | S.RES ERJ3GEYJ 331 V (330) | T | 27.3/21.5 |
| R1004 | 7030003380 | S.RES ERJ3GEYJ 331 V (330) | T | 25.4/21.5 |
| R1005 | 7030003380 | S.RES ERJ3GEYJ 331 V (330) | T | 22.8/21.5 |
| R1006 | 7030003380 | S.RES ERJ3GEYJ 331 V (330) | T | 20.9/21.5 |
| R1007 | 7030003380 | S.RES ERJ3GEYJ 331 V (330) | T | 19.3/21.5 |
| R1008 | 7030003380 | S.RES ERJ3GEYJ 331 V (330) | T | 17.4/21.5 |
| R1101 | 7410000950 | S.ARR EXB-V8V 102JV | T | 83.1/19.3 |
| R1102 | 7410000950 | S.ARR EXB-V8V 102JV | T | 83.1/23.0 |
| R1103 | 7410000950 | S.ARR EXB-V8V 102JV | T | 83.1/27.0 |
| R1104 | 7410000950 | S.ARR EXB-V8V 102JV | T | 83.1/31.0 |
| R1201 | 7030003440 | S.RES ERJ3GEYJ 102 V (1K) | T | 73.7/12.3 |
| R1202 | 7030003440 | S.RES ERJ3GEYJ 102 V (1K) | T | 72.5/12.3 |
| C3 | 4030011040 | S.CER GRM31M4C2H2R0CY21L (GRM42-6 CK) | B | 21.6/69.6 |
| C10 | 4030007060 | S.CER C1608 CH 1H 270J-T | T | 9.5/51.9 |
| C11 | 4030005040 | S.CER C2012 CH 1H 271J-T | B | 16.0/59.5 |
| C12 | 4030011040 | S.CER GRM31M4C2H2R0CY21L (GRM42-6 CK) | B | 8.5/62.2 |
| C13 | 4030011040 | S.CER GRM31M4C2H2R0CY21L (GRM42-6 CK) | B | 21.6/63.9 |
| C15 | 4610001850 | S.TRI TZB4R200AB10R00 (TZBX4R200AB110) | T | 2.4/52.3 |
| C16 | 4030007090 | S.CER C1608 CH 1H 470J-T | T | 6.5/53.9 |
| C18 | 4030011540 | S.CER C1608 CH 1H 750J-T | B | 20.6/58.8 |
| C19 | 4030006880 | S.CER C1608 JB 1H 102K-T | T | 9.5/49.1 |
| C20 | 4030006880 | S.CER C1608 JB 1H 472K-T | T | 18.3/50.3 |
| C23 | 4030007090 | S.CER C1608 CH 1H 470J-T | T | 5.3/53.9 |
| C31 | 4030006900 | S.CER C1608 JB 1H 103K-T | T | 11.5/44.0 |
| C32 | 4030006900 | S.CER C1608 JB 1H 103K-T | T | 16.3/44.0 |
| C33 | 4030006900 | S.CER C1608 JB 1H 103K-T | B | 11.6/55.3 |
| C34 | 4030006900 | S.CER C1608 JB 1H 103K-T | B | 14.8/47.1 |
| C35 | 4030019560 | S.CER GRM21BB31C106KE15L | B | 8.9/54.9 |
| C36 | 4030019560 | S.CER GRM21BB31C106KE15L | B | 13.0/47.1 |
| C43 | 4030006900 | S.CER C1608 JB 1H 103K-T | T | 10.7/35.5 |
| C45 | 4030019560 | S.CER GRM21BB31C106KE15L | T | 11.0/37.1 |
| C101 | 4030011050 | S.CER GRM31M3C2H3R0CY21L (GRM42-6 CJ) | B | 24.0/62.5 |
| C102 | 4030007070 | S.CER C1608 CH 1H 330J-T | B | 27.6/57.8 |
| C103 | 4030007070 | S.CER C1608 CH 1H 330J-T | B | 30.4/60.9 |
| C104 | 4030007070 | S.CER C1608 CH 1H 330J-T | B | 26.0/58.0 |
| C105 | 4030006900 | S.CER C1608 JB 1H 103K-T | B | 23.7/59.0 |
| C106 | 4030007120 | S.CER C1608 CH 1H 820J-T | B | 31.4/59.3 |
| C107 | 4030006900 | S.CER C1608 JB 1H 103K-T | B | 34.9/55.1 |
| C108 | 4030011070 | S.CER GRM31M2C2H5R0CY21L (GRM42-6 CH) | B | 35.6/70.7 |
| C111 | 4030006900 | S.CER C1608 JB 1H 103K-T | T | 34.4/55.5 |
| C112 | 4030019560 | S.CER GRM21BB31C106KE15L | B | 36.0/55.8 |
| C121 | 4030006900 | S.CER C1608 JB 1H 103K-T | B | 23.7/51.1 |
| C131 | 4030006900 | S.CER C1608 JB 1H 103K-T | T | 25.6/42.3 |
| C132 | 4030019560 | S.CER GRM21BB31C106KE15L | T | 24.1/42.0 |
| C133 | 4030007170 | S.CER C160 | | |

[CTRL UNIT]

| REF NO. | PARTS NO. | DESCRIPTION | M. | H/V LOCATION |
|---------|------------|---------------------------------------|----|--------------|
| C256 | 4030018790 | S.CER C3225 JB 2E 104K-T | B | 58.2/94.3 |
| C257 | 4030006860 | S.CER C1608 JB 1H 102K-T | B | 69.7/68.7 |
| C258 | 4030006860 | S.CER C1608 JB 1H 102K-T | B | 66.7/92.8 |
| C259 | 4030011600 | S.CER C1608 JB 1E 104K-T | B | 69.7/67.1 |
| C260 | 4030006880 | S.CER C1608 JB 1H 472K-T | B | 65.1/92.8 |
| C261 | 4030011600 | S.CER C1608 JB 1E 104K-T | B | 68.3/92.8 |
| C281 | 4030018960 | S.CER C3216 JB 1C 106MT-N | B | 61.5/66.1 |
| C282 | 4030018960 | S.CER C3216 JB 1C 106MT-N | B | 64.6/81.2 |
| C301 | 4030006900 | S.CER C1608 JB 1H 103K-T | B | 69.9/102.7 |
| C302 | 4030011070 | S.CER GRM31M2C2H5R0CY21L (GRM42-6 CH) | B | 50.6/103.8 |
| C304 | 4030006900 | S.CER C1608 JB 1H 103K-T | B | 67.5/105.8 |
| C351 | 4030006900 | S.CER C1608 JB 1H 103K-T | B | 69.3/113.6 |
| C352 | 4030006900 | S.CER C1608 JB 1H 103K-T | B | 68.0/121.0 |
| C401 | 4030006860 | S.CER C1608 JB 1H 102K-T | T | 14.7/26.5 |
| C403 | 4030011020 | S.CER GRM31M4C2H1R0CY21L (GRM42-6 CK) | T | 47.7/67.6 |
| C404 | 4030007040 | S.CER C1608 CH 1H 180J-T | T | 14.7/27.8 |
| C405 | 4030007030 | S.CER C1608 CH 1H 150J-T | T | 14.7/29.1 |
| C406 | 4030007030 | S.CER C1608 CH 1H 150J-T | T | 14.7/30.4 |
| C407 | 4030017810 | S.CER C1608 CH 1H 102J-T | B | 12.7/58.3 |
| C408 | 4030007130 | S.CER C1608 CH 1H 101J-T | B | 13.4/59.9 |
| C431 | 4030006860 | S.CER C1608 JB 1H 102K-T | T | 68.7/137.7 |
| C432 | 4030006860 | S.CER C1608 JB 1H 102K-T | T | 64.7/144.4 |
| C433 | 4030011600 | S.CER C1608 JB 1E 104K-T | B | 63.6/143.6 |
| C501 | 4030006900 | S.CER C1608 JB 1H 103K-T | T | 70.9/150.6 |
| C502 | 4030006900 | S.CER C1608 JB 1H 103K-T | T | 66.3/146.3 |
| C601 | 4030006900 | S.CER C1608 JB 1H 103K-T | B | 198.0/86.4 |
| C604 | 4030009520 | S.CER C1608 CH 1H 020B-T | T | 75.95/122.3 |
| C605 | 4030007050 | S.CER C1608 CH 1H 220J-T | T | 77.8/120.0 |
| C606 | 4030010760 | S.CER C1608 CH 1H 331J-T | T | 76.0/119.3 |
| C608 | 4030006860 | S.CER C1608 JB 1H 102K-T | B | 74.7/110.4 |
| C620 | 4030006900 | S.CER C1608 JB 1H 103K-T | T | 75.1/135.2 |
| C621 | 4030007060 | S.CER C1608 CH 1H 270J-T | B | 81.8/140.5 |
| C622 | 4030007010 | S.CER C1608 CH 1H 100D-T | B | 78.6/141.2 |
| C623 | 4030007080 | S.CER C1608 CH 1H 390J-T | B | 79.7/138.7 |
| C624 | 4030007090 | S.CER C1608 CH 1H 470J-T | B | 81.9/134.9 |
| C625 | 4030007080 | S.CER C1608 CH 1H 390J-T | B | 79.8/129.0 |
| C626 | 4030007080 | S.CER C1608 CH 1H 390J-T | B | 81.9/128.3 |
| C651 | 4030011340 | S.CER C1608 CH 1H 471J-T | T | 80.0/109.5 |
| C654 | 4030011600 | S.CER C1608 JB 1E 104K-T | B | 83.5/126.8 |
| C701 | 4030006900 | S.CER C1608 JB 1H 103K-T | T | 55.2/43.5 |
| C702 | 4030006900 | S.CER C1608 JB 1H 103K-T | T | 55.2/42.3 |
| C703 | 4030006900 | S.CER C1608 JB 1H 103K-T | T | 55.2/41.1 |
| C704 | 4030006900 | S.CER C1608 JB 1H 103K-T | T | 57.9/40.7 |
| C705 | 4030011600 | S.CER C1608 JB 1E 104K-T | T | 57.8/35.8 |
| C706 | 4030011600 | S.CER C1608 JB 1E 104K-T | T | 58.4/26.7 |
| C707 | 4030007020 | S.CER C1608 CH 1H 120J-T | T | 67.5/30.1 |
| C708 | 4030007020 | S.CER C1608 CH 1H 120J-T | T | 63.9/30.1 |
| C710 | 4030011600 | S.CER C1608 JB 1E 104K-T | T | 70.3/30.1 |
| C712 | 4030011600 | S.CER C1608 JB 1E 104K-T | B | 70.2/108.4 |
| C713 | 4030011600 | S.CER C1608 JB 1E 104K-T | B | 66.0/31.7 |
| C801 | 4510009880 | S.ELE EEEHBC471UAP | T | 47.6/25.9 |
| C802 | 4030011600 | S.CER C1608 JB 1E 104K-T | T | 42.5/24.3 |
| C803 | 4510009920 | S.ELE 16 CE 100 LH | T | 30.3/27.2 |
| C804 | 4030011600 | S.CER C1608 JB 1E 104K-T | T | 34.5/24.3 |
| C811 | 4030006900 | S.CER C1608 JB 1H 103K-T | T | 45.1/15.5 |
| C821 | 4030006900 | S.CER C1608 JB 1H 103K-T | T | 76.3/19.9 |
| C841 | 4030011600 | S.CER C1608 JB 1E 104K-T | T | 56.8/18.3 |
| C851 | 4030006900 | S.CER C1608 JB 1H 103K-T | B | 57.8/25.7 |
| C901 | 4030006900 | S.CER C1608 JB 1H 103K-T | T | 64.3/18.8 |
| C907 | 4030011340 | S.CER C1608 CH 1H 471J-T | T | 56.4/1.7 |
| C912 | 4030006900 | S.CER C1608 JB 1H 103K-T | T | 49.3/18.8 |
| C913 | 4030006900 | S.CER C1608 JB 1H 103K-T | T | 42.5/13.0 |
| C914 | 4510009880 | S.ELE EEEHBC471UAP | T | 38.3/8.4 |
| C1001 | 4030019180 | S.CER TMK212BJ105KG-T | T | 17.2/2.0 |
| C1002 | 4030019180 | S.CER TMK212BJ105KG-T | T | 19.0/2.0 |
| C1003 | 4030019180 | S.CER TMK212BJ105KG-T | T | 20.7/2.0 |
| C1004 | 4030019180 | S.CER TMK212BJ105KG-T | T | 22.5/2.0 |
| C1005 | 4030019180 | S.CER TMK212BJ105KG-T | T | 24.2/2.0 |
| C1006 | 4030019180 | S.CER TMK212BJ105KG-T | T | 26.0/2.0 |
| C1007 | 4030019180 | S.CER TMK212BJ105KG-T | T | 27.7/2.0 |
| C1008 | 4030019180 | S.CER TMK212BJ105KG-T | T | 29.5/2.0 |
| C1101 | 4030006900 | S.CER C1608 JB 1H 103K-T | T | 78.3/19.6 |
| C1102 | 4030006900 | S.CER C1608 JB 1H 103K-T | B | 79.8/20.3 |
| C1103 | 4030006900 | S.CER C1608 JB 1H 103K-T | B | 79.1/21.9 |
| C1104 | 4030006900 | S.CER C1608 JB 1H 103K-T | T | 79.7/21.0 |
| C1105 | 4030006900 | S.CER C1608 JB 1H 103K-T | T | 79.7/22.2 |
| C1106 | 4030006900 | S.CER C1608 JB 1H 103K-T | T | 79.7/23.4 |
| C1107 | 4030006900 | S.CER C1608 JB 1H 103K-T | T | 79.7/24.6 |
| C1108 | 4030006900 | S.CER C1608 JB 1H 103K-T | T | 79.5/34.2 |
| C1109 | 4030006900 | S.CER C1608 JB 1H 103K-T | T | 79.5/33.0 |
| C1110 | 4030006900 | S.CER C1608 JB 1H 103K-T | T | 79.5/31.8 |
| C1111 | 4030006900 | S.CER C1608 JB 1H 103K-T | T | 79.5/30.6 |
| C1112 | 4030006900 | S.CER C1608 JB 1H 103K-T | T | 79.5/29.4 |
| C1113 | 4030006900 | S.CER C1608 JB 1H 103K-T | T | 79.5/28.2 |
| C1114 | 4030006900 | S.CER C1608 JB 1H 103K-T | T | 79.5/27.0 |
| C1115 | 4030006900 | S.CER C1608 JB 1H 103K-T | T | 79.5/25.8 |
| RL201 | 6330001770 | REL SIP-1A-12Y | | |
| RL301 | 6330001900 | REL G6C-2114P-US DC12V | | |
| RL351 | 6330001900 | REL G6C-2114P-US DC12V | | |
| RL501 | 6330001910 | REL G6S-2 DC12V | | |
| RL601 | 6330001770 | REL SIP-1A-12Y | | |
| RL621 | 6330001860 | REL UA2-12NU | | |
| CP31 | 6910009670 | S.CHE HK3-S-T | T | 9.3/30.7 |
| J1 | 6510028210 | CON SJ050010 (TMP-J01X-V6) | | |
| J301 | 6510028210 | CON SJ050010 (TMP-J01X-V6) | | |
| J351 | 6510028210 | CON SJ050010 (TMP-J01X-V6) | | |
| J901 | 6510020081 | S.CON 52808-2071(2090) | T | 54.8/10.2 |

[CTRL UNIT]

| REF NO. | PARTS NO. | DESCRIPTION | M. | H/V LOCATION |
|---------|------------|-------------------------------|----|--------------|
| J1001 | 6510022031 | S.CON B10B-ZR-SM4-TF(LF)(SN) | T | 22.6/5.7 |
| J1101 | 6510021722 | S.CON 30FLT-SM2-TB(LF)(SN)(M) | T | 86.6/25.7 |
| J1201 | 6510018971 | S.CON B4B-PH-SM4-TB(LF)(SN) | T | 73.5/5.7 |
| J2101 | 6510028210 | CON SJ050010 (TMP-J01X-V6) | | |
| W2001 | 7030012280 | JUM RD25T0R0 | | |
| W2002 | 7030012280 | JUM RD25T0R0 | | |
| EP281 | 6910014690 | S.BEA MPZ1608S221A-T | B | 60.4/56.4 |
| EP282 | 6910014690 | S.BEA MPZ1608S221A-T | B | 68.9/80.8 |
| EP701 | 6910014690 | S.BEA MPZ1608S221A-T | T | 70.0/31.5 |
| EP901 | 6910014690 | S.BEA MPZ1608S221A-T | T | 42.5/14.3 |
| EP902 | 6910014690 | S.BEA MPZ1608S221A-T | T | 52.8/4.8 |
| EP903 | 6910014690 | S.BEA MPZ1608S221A-T | T | 55.2/4.8 |
| EP904 | 6910014690 | S.BEA MPZ1608S221A-T | T | 51.6/4.8 |
| EP905 | 6910014690 | S.BEA MPZ1608S221A-T | T | 56.4/4.8 |
| EP906 | 6910014690 | S.BEA MPZ1608S221A-T | T | 58.8/4.8 |
| EP907 | 6910014690 | S.BEA MPZ1608S221A-T | T | 49.0/15.9 |
| EP1101 | 6910014690 | S.BEA MPZ1608S221A-T | T | 86.7/35.1 |
| EP1102 | 6910014690 | S.BEA MPZ1608S221A-T | T | 88.0/39.0 |

M.=Mounted side (T: Mounted on the Top side, B: Mounted on the Bottom side)
S.=Surface mount

[NETWORK UNIT]

| REF NO. | PARTS NO. | DESCRIPTION | M. | H/V LOCATION |
|---------|------------|-----------------------------------|----|--------------|
| Q15 | 1590003680 | S.TRA KRC402 RTK/P | T | 139.5/62.0 |
| Q25 | 1590003680 | S.TRA KRC402 RTK/P | T | 148.2/73.1 |
| Q35 | 1590003680 | S.TRA KRC402 RTK/P | T | 144.3/67.4 |
| Q45 | 1590003680 | S.TRA KRC402 RTK/P | T | 147.2/67.9 |
| Q55 | 1590003680 | S.TRA KRC402 RTK/P | T | 122.1/61.6 |
| Q65 | 1590003680 | S.TRA KRC402 RTK/P | T | 126.6/61.6 |
| Q75 | 1590003680 | S.TRA KRC402 RTK/P | T | 131.1/61.6 |
| Q85 | 1590003680 | S.TRA KRC402 RTK/P | T | 135.6/61.7 |
| Q105 | 1590003680 | S.TRA KRC402 RTK/P | T | 113.9/64.7 |
| Q115 | 1590003680 | S.TRA KRC402 RTK/P | T | 108.4/64.7 |
| Q125 | 1590003680 | S.TRA KRC402 RTK/P | T | 102.9/64.7 |
| Q135 | 1590003680 | S.TRA KRC402 RTK/P | T | 97.4/64.7 |
| Q145 | 1590003680 | S.TRA KRC402 RTK/P | T | 91.9/64.7 |
| Q155 | 1590003680 | S.TRA KRC402 RTK/P | T | 69.5/65.1 |
| Q165 | 1590003680 | S.TRA KRC402 RTK/P | T | 58.6/64.8 |
| Q175 | 1590003680 | S.TRA KRC402 RTK/P | T | 46.7/69.6 |
| D15 | 1750001180 | S.DIO KDS122 RTK/P | T | 138.4/59.5 |
| D25 | 1750001180 | S.DIO KDS122 RTK/P | T | 147.5/70.6 |
| D35 | 1750001180 | S.DIO KDS122 RTK/P | T | 142.6/65.0 |
| D45 | 1750001180 | S.DIO KDS122 RTK/P | T | 146.1/65.0 |
| D55 | 1750001180 | S.DIO KDS122 RTK/P | T | 120.3/59.1 |
| D65 | 1750001180 | S.DIO KDS122 RTK/P | T | 124.8/59.1 |
| D75 | 1750001180 | S.DIO KDS122 RTK/P | T | 129.3/59.1 |
| D85 | 1750001180 | S.DIO KDS122 RTK/P | T | 133.8/59.1 |
| D105 | 1750001180 | S.DIO KDS122 RTK/P | T | 113.9/60.9 |
| D115 | 1750001180 | S.DIO KDS122 RTK/P | T | 108.4/60.9 |
| D125 | 1750001180 | S.DIO KDS122 RTK/P | T | 102.9/60.9 |
| D135 | 1750001180 | S.DIO KDS122 RTK/P | T | 97.4/60.9 |
| D145 | 1750001180 | S.DIO KDS122 RTK/P | T | 91.9/60.9 |
| D155 | 1750001180 | S.DIO KDS122 RTK/P | T | 69.5/61.1 |
| D165 | 1750001180 | S.DIO KDS122 RTK/P | T | 58.6/60.8 |
| D175 | 1750001180 | S.DIO KDS122 RTK/P | T | 46.6/65.8 |
| L55 | 6180003291 | COI BM27-400-6A-LF | | |
| L56 | 6180003291 | COI BM27-400-6A-LF | | |
| L65 | 6180003291 | COI BM27-400-6A-LF | | |
| L66 | 6180003291 | COI BM27-400-6A-LF | | |
| L75 | 6180003291 | COI BM27-400-6A-LF | | |
| L76 | 6180003291 | COI BM27-400-6A-LF | | |
| L85 | 6180003291 | COI BM27-400-6A-LF | | |
| L86 | 6180003291 | COI BM27-400-6A-LF | | |
| L101 | 6110003600 | COI LA-555 | | |
| L111 | 6110003590 | COI LA-554 | | |
| L121 | 6110003020 | COI LA-489 | | |
| L131 | 6110003030 | COI LA-490 | | |
| L141 | 6110003020 | COI LA-489 | | |
| L151 | 6110003030 | COI LA-490 | | |
| L161 | 6140004520 | COI LR-511 | | |
| L171 | 6140004510 | COI LR-510 | | |
| L181 | 6140002700 | COI LR-307 (T130-2) | | |
| L182 | 6140002700 | COI LR-307 (T130-2) | | |
| R201 | 7410000810 | S.RES EXB-V8V JPW | T | 139.3/81.2 |
| R202 | 7410000810 | S.RES EXB-V8V JPW | T | 143.3/81.2 |
| R211 | 7410000810 | S.RES EXB-V8V JPW | T | 147.3/81.2 |
| R212 | 7410000810 | S.RES EXB-V8V JPW | T | 151.3/81.2 |
| C1 | 4620000160 | VAR KV-150-05 150P | | |
| C11 | 4010008551 | CER DEA1X3F390JC3B-Z | | |
| C15 | 4030006900 | S.CER C1608 JB 1H 103K-T | T | 173.2/80.4 |
| C16 | 4030006900 | S.CER C1608 JB 1H 103K-T | T | 139.7/63.9 |
| C21 | 4010004820 | CER DEC1X3J121JC4B (DE1410SL121J) | | |
| C22 | 4010008690 | CER DEA1X3F101JA3B | | |
| C25 | 4030006900 | S.CER C1608 JB 1H 103K-T | T | 155.8/77.6 |
| C26 | 4030006900 | S.CER C1608 JB 1H 103K-T | T | 149.8/71.3 |
| C31 | 4010004830 | CER DEC1X3J151JC4B (DE1510SL151J) | | |
| C35 | 4030006900 | S.CER C1608 JB 1H 103K-T | T | 161.2/80.4 |
| C36 | 4030006900 | S.CER C1608 JB 1H 103K-T | T | 144.6/69.3 |
| C41 | 4010004800 | CER DEC1X3J820JC4B (DE1210SL820J) | | |
| C45 | 4030006900 | S.CER C1608 JB 1H 103K-T | T | 165.3/80.4 |
| C46 | 4030006900 | S.CER C1608 JB 1H 103K-T | T | 150.7/68.0 |
| C51 | 4010004790 | CER DEC1X3J680JC4B (DE1210SL680J) | | |
| C52 | 4010004790 | CER DEC1X3J680JC4B (DE1210SL680J) | | |
| C53 | 4010004790 | CER DEC1X3J680JC4B (DE1210SL680J) | | |
| C55 | 4030006900 | S.CER C1608 JB 1H 103K-T | T | 143.7/7.5 |
| C56 | 4030006900 | S.CER C1608 JB 1H 103K-T | T | 120.2/57.2 |
| C61 | 4010008560 | CER DEA1X3F151JA3B (DE1107SL151J) | | |
| C65 | 4030006900 | S.CER C1608 JB 1H 103K-T | T | 144.6/18.7 |
| C66 | 4030006900 | S.CER C1608 JB 1H 103K-T | T | 124.7/57.2 |
| C71 | 4010005130 | CER DEC1X3J470JC4B (DE0910SL470J) | | |
| C72 | 4010004780 | CER DEC1X3J560JC4B (DE1010SL560J) | | |
| C75 | 4030006900 | S.CER C1608 JB 1H 103K-T | T | 149.7/7.5 |
| C76 | 4030006900 | S.CER C1608 JB 1H 103K-T | T | 129.2/57.2 |
| C81 | 4010008551 | CER DEA1X3F390JC3B-Z | | |
| C85 | 4030006900 | S.CER C1608 JB 1H 103K-T | T | 133.7/57.2 |
| C86 | 4030006900 | S.CER C1608 JB 1H 103K-T | T | 161.2/7.5 |
| C91 | 4620000160 | VAR KV-150-05 150P | | |
| C105 | 4030006900 | S.CER C1608 JB 1H 103K-T | T | 111.9/61.0 |
| C106 | 4030006900 | S.CER C1608 JB 1H 103K-T | T | 114.0/62.8 |
| C115 | 4030006900 | S.CER C1608 JB 1H 103K-T | T | 106.4/61.0 |
| C116 | 4030006900 | S.CER C1608 JB 1H 103K-T | T | 108.5/62.8 |

[NETWORK UNIT]

| REF NO. | PARTS NO. | DESCRIPTION | M. | H/V LOCATION |
|---------|------------|-------------------------------|----|--------------|
| C125 | 4030006900 | S.CER C1608 JB 1H 103K-T | T | 100.9/61.0 |
| C126 | 4030006900 | S.CER C1608 JB 1H 103K-T | T | 103.0/62.8 |
| C135 | 4030006900 | S.CER C1608 JB 1H 103K-T | T | 95.4/61.0 |
| C136 | 4030006900 | S.CER C1608 JB 1H 103K-T | T | 97.5/62.8 |
| C145 | 4030006900 | S.CER C1608 JB 1H 103K-T | T | 89.9/61.0 |
| C146 | 4030006900 | S.CER C1608 JB 1H 103K-T | T | 92.0/62.8 |
| C155 | 4030006900 | S.CER C1608 JB 1H 103K-T | T | 68.4/59.1 |
| C156 | 4030006900 | S.CER C1608 JB 1H 103K-T | T | 69.7/63.1 |
| C165 | 4030006900 | S.CER C1608 JB 1H 103K-T | T | 57.5/58.8 |
| C166 | 4030006900 | S.CER C1608 JB 1H 103K-T | T | 58.8/62.8 |
| C175 | 4030006900 | S.CER C1608 JB 1H 103K-T | T | 45.0/63.9 |
| C176 | 4030006900 | S.CER C1608 JB 1H 103K-T | T | 46.6/67.7 |
| C201 | 4030006900 | S.CER C1608 JB 1H 103K-T | T | 117.7/54.8 |
| C202 | 4030006900 | S.CER C1608 JB 1H 103K-T | T | 137.1/77.2 |
| C203 | 4030006900 | S.CER C1608 JB 1H 103K-T | T | 138.3/77.2 |
| C204 | 4030006900 | S.CER C1608 JB 1H 103K-T | T | 139.5/77.2 |
| C205 | 4030006900 | S.CER C1608 JB 1H 103K-T | T | 140.7/77.1 |
| C206 | 4030006900 | S.CER C1608 JB 1H 103K-T | T | 141.9/76.7 |
| C207 | 4030006900 | S.CER C1608 JB 1H 103K-T | T | 143.1/76.9 |
| C208 | 4030006900 | S.CER C1608 JB 1H 103K-T | T | 144.3/77.2 |
| C209 | 4030006900 | S.CER C1608 JB 1H 103K-T | T | 145.5/77.2 |
| C211 | 4030006900 | S.CER C1608 JB 1H 103K-T | T | 119.2/56.0 |
| C212 | 4030006900 | S.CER C1608 JB 1H 103K-T | T | 146.7/76.9 |
| C213 | 4030006900 | S.CER C1608 JB 1H 103K-T | T | 148.0/77.0 |
| C214 | 4030006900 | S.CER C1608 JB 1H 103K-T | T | 149.2/77.0 |
| C215 | 4030006900 | S.CER C1608 JB 1H 103K-T | T | 150.4/77.2 |
| C216 | 4030006900 | S.CER C1608 JB 1H 103K-T | T | 152.3/77.6 |
| C217 | 4030006900 | S.CER C1608 JB 1H 103K-T | T | 154.2/78.9 |
| C218 | 4030006900 | S.CER C1608 JB 1H 103K-T | T | 154.2/80.1 |
| RL15 | 6330001610 | REL NY-12W-K-IE | | |
| RL25 | 6330001610 | REL NY-12W-K-IE | | |
| RL35 | 6330001610 | REL NY-12W-K-IE | | |
| RL45 | 6330001610 | REL NY-12W-K-IE | | |
| RL55 | 6330001610 | REL NY-12W-K-IE | | |
| RL65 | 6330001610 | REL NY-12W-K-IE | | |
| RL75 | 6330001610 | REL NY-12W-K-IE | | |
| RL85 | 6330001610 | REL NY-12W-K-IE | | |
| RL105 | 6330001610 | REL NY-12W-K-IE | | |
| RL115 | 6330001610 | REL NY-12W-K-IE | | |
| RL125 | 6330001610 | REL NY-12W-K-IE | | |
| RL135 | 6330001610 | REL NY-12W-K-IE | | |
| RL145 | 6330001610 | REL NY-12W-K-IE | | |
| RL155 | 6330001610 | REL NY-12W-K-IE | | |
| RL165 | 6330001610 | REL NY-12W-K-IE | | |
| RL175 | 6330001610 | REL NY-12W-K-IE | | |
| J1 | 6510028210 | CON SJ050010 (TMP-J01X-V6) | | |
| J91 | 6510028210 | CON SJ050010 (TMP-J01X-V6) | | |
| J201 | 6510021722 | S.CON 30FLT-SM2-TB(LF)(SN)(M) | T | 144.5/85.0 |
| MF1 | 2710000800 | MOT MP24ZA | | |
| MF2 | 2710000800 | MOT MP24ZA | | |
| EP201 | 6910014730 | S.BEA MPZ2012S331A-T | T | 116.9/57.6 |
| EP211 | 6910014730 | S.BEA MPZ2012S331A-T | T | 118.1/60.9 |

M.=Mounted side (T: Mounted on the Top side, B: Mounted on the Bottom side)
S.=Surface mount

[FRONT UNIT]

| REF NO. | PARTS NO. | DESCRIPTION | M. | H/V LOCATION |
|---------|------------|--------------------------------|----|--------------|
| EP1 | 0880002780 | UNI EX-3210 #01 | | |
| EP2 | 6910015650 | E.O S-G2218-3#01 (MOUNT PLATE) | | |
| EP3 | 6910015650 | E.O S-G2218-3#01 (MOUNT PLATE) | | |

[DISPLAY UNIT]

| REF NO. | PARTS NO. | DESCRIPTION | M. | H/V LOCATION |
|---------|------------|---------------------------------------|----|--------------|
| IC1 | 1180001541 | S.IC TA78L08F(TE12LF) | T | 75.4/97.6 |
| IC111 | 1130012620 | S.IC SN74AHCT1G86DCKR | T | 238.8/90.8 |
| IC151 | 1110000960 | S.IC NJM4558M-TE1-#FMZB | T | 130.1/77.4 |
| IC152 | 1110000960 | S.IC NJM4558M-TE1-#FMZB | T | 130.1/84.2 |
| IC271 | 1130013470 | S.IC CD4071BNSR | T | 48.6/19.4 |
| IC351 | 1130011880 | S.IC CD4051BPWR | T | 49.4/93.5 |
| IC371 | 1130011880 | S.IC CD4051BPWR | T | 49.4/100.0 |
| IC401 | 1140015710 | S.IC M30622F8PGP(SX-3183C-1) | T | 58.4/71.4 |
| IC501 | 1130009121 | S.IC S1D15206F00A200 | T | 175.9/72.2 |
| IC521 | 1130014400 | S.IC T6B66BFG(C) | T | 98.3/64.1 |
| IC541 | 1130014390 | S.IC T6B65AFG(C) | T | 207.2/57.5 |
| IC561 | 1130014390 | S.IC T6B65AFG(C) | T | 141.0/57.5 |
| Q111 | 1530003900 | S.TRA KTC4075 BL-RTK/P | T | 235.8/84.7 |
| Q112 | 1520000651 | S.TRA 2SB1201S-TL-E | T | 229.5/88.9 |
| Q113 | 1530003301 | S.TRA 2SC3647S-TD-E | T | 238.6/71.7 |
| Q114 | 1530003301 | S.TRA 2SC3647S-TD-E | T | 227.5/69.2 |
| Q251 | 1590003680 | S.TRA KRC402 RTK/P | T | 274.7/16.6 |
| Q252 | 1590003680 | S.TRA KRC402 RTK/P | T | 274.7/19.1 |
| Q253 | 1590003680 | S.TRA KRC402 RTK/P | T | 274.7/21.6 |
| Q254 | 1590003680 | S.TRA KRC402 RTK/P | T | 274.7/24.1 |
| Q501 | 1540000441 | S.TRA 2SD1619T-TD-E | T | 251.4/7.1 |
| Q502 | 1530003900 | S.TRA KTC4075 BL-RTK/P | T | 114.2/38.8 |
| Q503 | 1590003770 | S.TRA KRA302E-RTK/P | T | 118.1/39.6 |
| D111 | 1730002261 | S.ZEN MAZ8030GHL | T | 238.1/84.8 |
| D201 | 1750001710 | S.DIO RB751V-40 TE-17 | T | 245.4/27.0 |
| D202 | 1750001180 | S.DIO KDS122 RTK/P | T | 247.4/80.7 |
| D203 | 1750001180 | S.DIO KDS122 RTK/P | T | 247.4/83.2 |
| D204 | 1750001710 | S.DIO RB751V-40 TE-17 | T | 74.6/79.0 |
| D501 | 1750001320 | S.DIO KDS4148U RTK/P | T | 114.6/34.0 |
| X401 | 6050011810 | S.XTA CR-755 SMD-49 15.9744 MHz <KDS> | T | 57.9/55.6 |
| L21 | 6200002041 | S.COI NLV25T-101J | T | 258.8/8.6 |
| L22 | 6200002041 | S.COI NLV25T-101J | T | 246.8/23.5 |
| L23 | 6200002041 | S.COI NLV25T-101J | T | 261.3/8.6 |
| L24 | 6200009300 | S.COI ELJPA 100KF 10U | T | 244.1/23.5 |
| L25 | 6200002041 | S.COI NLV25T-101J | T | 241.3/23.5 |
| L31 | 6200002041 | S.COI NLV25T-101J | T | 266.8/73.5 |
| L32 | 6200002041 | S.COI NLV25T-101J | T | 266.8/76.0 |
| L111 | 6200008631 | S.COI CD54NP-101KCI | T | 217.4/82.2 |
| L112 | 6190001191 | S.COI D10F-#A814AY-101K | T | 228.7/78.7 |
| R3 | 7030003360 | S.RES ERJ3GEYJ 221 V (220) | T | 99.0/97.9 |
| R4 | 7030003440 | S.RES ERJ3GEYJ 102 V (1K) | T | 100.3/97.9 |
| R5 | 7030003440 | S.RES ERJ3GEYJ 102 V (1K) | T | 101.6/97.9 |
| R6 | 7030003360 | S.RES ERJ3GEYJ 221 V (220) | T | 102.9/97.9 |
| R7 | 7030003360 | S.RES ERJ3GEYJ 221 V (220) | T | 96.0/97.9 |
| R8 | 7030003360 | S.RES ERJ3GEYJ 221 V (220) | T | 97.3/97.9 |
| R21 | 7030003680 | S.RES ERJ3GEYJ 104 V (100K) | T | 257.1/69.8 |
| R22 | 7030003480 | S.RES ERJ3GEYJ 222 V (2.2K) | T | 256.1/67.4 |
| R31 | 7030003360 | S.RES ERJ3GEYJ 221 V (220) | T | 267.2/71.6 |
| R32 | 7030003860 | S.RES ERJ3GE JPW V | T | 272.4/78.9 |
| R51 | 7030003520 | S.RES ERJ3GEYJ 472 V (4.7K) | T | 114.3/32.5 |
| R52 | 7030003620 | S.RES ERJ3GEYJ 333 V (33K) | T | 114.3/35.6 |
| R53 | 7030003580 | S.RES ERJ3GEYJ 153 V (15K) | T | 112.0/38.7 |
| R54 | 7030003560 | S.RES ERJ3GEYJ 103 V (10K) | T | 256.1/7.7 |
| R55 | 7030003340 | S.RES ERJ3GEYJ 151 V (150) | T | 255.6/5.6 |
| R56 | 7030003520 | S.RES ERJ3GEYJ 472 V (4.7K) | T | 116.4/39.5 |
| R112 | 7030010960 | S.RES ERJ1TYJ 120U (12) | T | 212.4/82.2 |
| R113 | 7030003560 | S.RES ERJ3GEYJ 103 V (10K) | T | 237.3/87.0 |
| R115 | 7030003360 | S.RES ERJ3GEYJ 221 V (220) | T | 240.4/85.5 |
| R116 | 7030003500 | S.RES ERJ3GEYJ 332 V (3.3K) | T | 239.0/67.3 |
| R117 | 7030003500 | S.RES ERJ3GEYJ 332 V (3.3K) | T | 239.0/68.5 |
| R118 | 7030003640 | S.RES ERJ3GEYJ 473 V (47K) | T | 241.3/91.7 |
| R146 | 7030003320 | S.RES ERJ3GEYJ 101 V (100) | T | 135.1/78.9 |
| R147 | 7030003320 | S.RES ERJ3GEYJ 101 V (100) | T | 128.3/73.2 |
| R148 | 7030003320 | S.RES ERJ3GEYJ 101 V (100) | T | 135.1/87.2 |
| R149 | 7030003320 | S.RES ERJ3GEYJ 101 V (100) | T | 124.4/81.6 |
| R150 | 7030003630 | S.RES ERJ3GEYJ 393 V (39K) | T | 130.9/70.3 |
| R151 | 7030003580 | S.RES ERJ3GEYJ 153 V (15K) | T | 132.2/73.2 |
| R154 | 7030003720 | S.RES ERJ3GEYJ 224 V (220K) | T | 125.9/74.0 |
| R155 | 7030003720 | S.RES ERJ3GEYJ 224 V (220K) | T | 133.5/73.2 |
| R156 | 7030003560 | S.RES ERJ3GEYJ 103 V (10K) | T | 123.1/84.7 |
| R157 | 7030003560 | S.RES ERJ3GEYJ 103 V (10K) | T | 137.0/83.0 |
| R158 | 7030003570 | S.RES ERJ3GEYJ 123 V (12K) | T | 123.0/78.9 |
| R159 | 7030003640 | S.RES ERJ3GEYJ 473 V (47K) | T | 137.3/72.7 |
| R162 | 7030003820 | S.RES ERJ3GEYJ 155 V (1.5M) | T | 124.4/83.3 |
| R163 | 7030003820 | S.RES ERJ3GEYJ 155 V (1.5M) | T | 135.1/82.0 |
| R164 | 7030003840 | S.RES ERJ3GEYJ 225 V (2.2M) | T | 129.6/73.2 |
| R165 | 7030003790 | S.RES ERJ3GEYJ 824 V (820K) | T | 125.2/76.0 |
| R166 | 7030003840 | S.RES ERJ3GEYJ 225 V (2.2M) | T | 130.9/73.2 |
| R167 | 7030003790 | S.RES ERJ3GEYJ 824 V (820K) | T | 135.1/73.5 |
| R168 | 7030003820 | S.RES ERJ3GEYJ 155 V (1.5M) | T | 125.2/78.8 |
| R169 | 7030003820 | S.RES ERJ3GEYJ 155 V (1.5M) | T | 135.1/76.3 |
| R170 | 7030003790 | S.RES ERJ3GEYJ 824 V (820K) | T | 125.2/85.1 |
| R171 | 7030003790 | S.RES ERJ3GEYJ 824 V (820K) | T | 135.1/84.6 |
| R172 | 7030003650 | S.RES ERJ3GEYJ 563 V (56K) | T | 128.7/80.8 |
| R173 | 7030003650 | S.RES ERJ3GEYJ 563 V (56K) | T | 131.5/80.8 |
| R174 | 7030003400 | S.RES ERJ3GEYJ 471 V (470) | T | 123.1/85.9 |
| R175 | 7030003400 | S.RES ERJ3GEYJ 471 V (470) | T | 137.0/84.2 |
| R181 | 7030003560 | S.RES ERJ3GEYJ 103 V (10K) | T | 39.1/56.7 |
| R182 | 7030003560 | S.RES ERJ3GEYJ 103 V (10K) | T | 36.3/56.7 |
| R183 | 7030003560 | S.RES ERJ3GEYJ 103 V (10K) | T | 36.3/58.0 |
| R184 | 7030003560 | S.RES ERJ3GEYJ 103 V (10K) | T | 39.1/58.0 |
| R185 | 7030003560 | S.RES ERJ3GEYJ 103 V (10K) | T | 37.7/84.0 |
| R186 | 7030003560 | S.RES ERJ3GEYJ 103 V (10K) | T | 39.0/81.2 |
| R187 | 7030003560 | S.RES ERJ3GEYJ 103 V (10K) | T | 37.7/81.2 |

M.=Mounted side (T: Mounted on the Top side, B: Mounted on the Bottom side)
S.=Surface mount

[DISPLAY UNIT]

| REF NO. | PARTS NO. | DESCRIPTION | M. | H/V LOCATION |
|---------|------------|-----------------------------|----|--------------|
| R188 | 7030003560 | S.RES ERJ3GEYJ 103 V (10K) | T | 39.0/84.0 |
| R189 | 7030003560 | S.RES ERJ3GEYJ 103 V (10K) | T | 246.1/97.0 |
| R190 | 7030003640 | S.RES ERJ3GEYJ 473 V (47K) | T | 77.6/59.9 |
| R191 | 7030003640 | S.RES ERJ3GEYJ 473 V (47K) | T | 76.3/59.9 |
| R192 | 7030003560 | S.RES ERJ3GEYJ 103 V (10K) | T | 248.9/97.0 |
| R193 | 7030003560 | S.RES ERJ3GEYJ 103 V (10K) | T | 248.9/95.7 |
| R194 | 7030003560 | S.RES ERJ3GEYJ 103 V (10K) | T | 246.1/95.7 |
| R195 | 7030003560 | S.RES ERJ3GEYJ 103 V (10K) | T | 250.3/80.1 |
| R196 | 7030003670 | S.RES ERJ3GEYJ 823 V (82K) | T | 75.0/59.9 |
| R197 | 7030003670 | S.RES ERJ3GEYJ 823 V (82K) | T | 78.9/59.9 |
| R201 | 7030003440 | S.RES ERJ3GEYJ 102 V (1K) | T | 250.3/83.2 |
| R202 | 7030003440 | S.RES ERJ3GEYJ 102 V (1K) | T | 250.3/81.4 |
| R203 | 7030004730 | S.RES ERJ3GEYF 222 V (2.2K) | T | 70.4/78.4 |
| R204 | 7030003640 | S.RES ERJ3GEYJ 473 V (47K) | T | 71.7/79.3 |
| R211 | 7030003440 | S.RES ERJ3GEYJ 102 V (1K) | T | 250.3/78.3 |
| R212 | 7030003440 | S.RES ERJ3GEYJ 102 V (1K) | T | 291.8/89.8 |
| R213 | 7030003440 | S.RES ERJ3GEYJ 102 V (1K) | T | 291.8/77.2 |
| R214 | 7030003440 | S.RES ERJ3GEYJ 102 V (1K) | T | 291.8/68.6 |
| R215 | 7030003440 | S.RES ERJ3GEYJ 102 V (1K) | T | 278.3/69.7 |
| R216 | 7030003440 | S.RES ERJ3GEYJ 102 V (1K) | T | 253.4/75.1 |
| R217 | 7030003440 | S.RES ERJ3GEYJ 102 V (1K) | T | 213.4/23.2 |
| R218 | 7030003440 | S.RES ERJ3GEYJ 102 V (1K) | T | 192.6/23.2 |
| R219 | 7030003440 | S.RES ERJ3GEYJ 102 V (1K) | T | 171.8/23.2 |
| R220 | 7030003440 | S.RES ERJ3GEYJ 102 V (1K) | T | 151.0/23.2 |
| R221 | 7030003440 | S.RES ERJ3GEYJ 102 V (1K) | T | 130.2/23.2 |
| R223 | 7030003440 | S.RES ERJ3GEYJ 102 V (1K) | T | 218.1/19.8 |
| R224 | 7030003440 | S.RES ERJ3GEYJ 102 V (1K) | T | 71.2/76.4 |
| R225 | 7030003440 | S.RES ERJ3GEYJ 102 V (1K) | T | 127.2/14.8 |
| R226 | 7030003440 | S.RES ERJ3GEYJ 102 V (1K) | T | 24.4/34.5 |
| R227 | 7030003440 | S.RES ERJ3GEYJ 102 V (1K) | T | 10.3/34.5 |
| R228 | 7030003440 | S.RES ERJ3GEYJ 102 V (1K) | T | 33.5/69.6 |
| R229 | 7030003440 | S.RES ERJ3GEYJ 102 V (1K) | T | 38.3/34.5 |
| R231 | 7030003440 | S.RES ERJ3GEYJ 102 V (1K) | T | 47.9/6.3 |
| R232 | 7030003440 | S.RES ERJ3GEYJ 102 V (1K) | T | 15.1/69.6 |
| R233 | 7030003440 | S.RES ERJ3GEYJ 102 V (1K) | T | 245.4/99.1 |
| R234 | 7030003440 | S.RES ERJ3GEYJ 102 V (1K) | T | 249.7/99.1 |
| R235 | 7030003440 | S.RES ERJ3GEYJ 102 V (1K) | T | 248.2/99.1 |
| R236 | 7030003440 | S.RES ERJ3GEYJ 102 V (1K) | T | 246.8/99.1 |
| R237 | 7030003440 | S.RES ERJ3GEYJ 102 V (1K) | T | 41.1/84.7 |
| R238 | 7030003440 | S.RES ERJ3GEYJ 102 V (1K) | T | 41.1/80.4 |
| R239 | 7030003440 | S.RES ERJ3GEYJ 102 V (1K) | T | 41.1/81.9 |
| R240 | 7030003440 | S.RES ERJ3GEYJ 102 V (1K) | T | 41.1/83.3 |
| R241 | 7030003440 | S.RES ERJ3GEYJ 102 V (1K) | T | 38.4/60.1 |
| R242 | 7030003440 | S.RES ERJ3GEYJ 102 V (1K) | T | 37.0/60.1 |
| R243 | 7030003440 | S.RES ERJ3GEYJ 102 V (1K) | T | 35.6/60.1 |
| R244 | 7030003440 | S.RES ERJ3GEYJ 102 V (1K) | T | 39.9/60.1 |
| R251 | 7030003440 | S.RES ERJ3GEYJ 102 V (1K) | T | 248.2/50.1 |
| R252 | 7030003440 | S.RES ERJ3GEYJ 102 V (1K) | T | 246.9/50.1 |
| R253 | 7030003440 | S.RES ERJ3GEYJ 102 V (1K) | T | 249.5/50.1 |
| R254 | 7030003440 | S.RES ERJ3GEYJ 102 V (1K) | T | 245.6/50.1 |
| R255 | 7030003440 | S.RES ERJ3GEYJ 102 V (1K) | T | 236.2/14.8 |
| R256 | 7030003440 | S.RES ERJ3GEYJ 102 V (1K) | T | 221.2/15.5 |
| R257 | 7030003440 | S.RES ERJ3GEYJ 102 V (1K) | T | 206.7/15.5 |
| R258 | 7030003440 | S.RES ERJ3GEYJ 102 V (1K) | T | 190.1/15.5 |
| R259 | 7030003440 | S.RES ERJ3GEYJ 102 V (1K) | T | 131.1/9.4 |
| R260 | 7030003440 | S.RES ERJ3GEYJ 102 V (1K) | T | 142.1/19.8 |
| R261 | 7030003440 | S.RES ERJ3GEYJ 102 V (1K) | T | 75.0/104.9 |
| R262 | 7030003440 | S.RES ERJ3GEYJ 102 V (1K) | T | 67.8/105.6 |
| R263 | 7030003440 | S.RES ERJ3GEYJ 102 V (1K) | T | 63.9/104.9 |
| R264 | 7030003440 | S.RES ERJ3GEYJ 102 V (1K) | T | 110.0/102.1 |
| R265 | 7030003440 | S.RES ERJ3GEYJ 102 V (1K) | T | 49.3/53.1 |
| R266 | 7030003440 | S.RES ERJ3GEYJ 102 V (1K) | T | 48.0/53.1 |
| R271 | 7030003680 | S.RES ERJ3GEYJ 104 V (100K) | T | 40.4/21.4 |
| R272 | 7030003680 | S.RES ERJ3GEYJ 104 V (100K) | T | 40.4/18.6 |
| R273 | 7030003720 | S.RES ERJ3GEYJ 224 V (220K) | T | 41.7/21.4 |
| R274 | 7030003720 | S.RES ERJ3GEYJ 224 V (220K) | T | 41.7/18.6 |
| R275 | 7030003680 | S.RES ERJ3GEYJ 104 V (100K) | T | 42.5/23.5 |
| R276 | 7030003680 | S.RES ERJ3GEYJ 104 V (100K) | T | 42.5/16.6 |
| R277 | 7030003800 | S.RES ERJ3GEYJ 105 V (1M) | T | 43.2/21.4 |
| R278 | 7030003800 | S.RES ERJ3GEYJ 105 V (1M) | T | 43.2/18.6 |
| R287 | 7030003560 | S.RES ERJ3GEYJ 103 V (10K) | T | 46.2/40.7 |
| R288 | 7030003440 | S.RES ERJ3GEYJ 102 V (1K) | T | 49.4/35.5 |
| R289 | 7030003440 | S.RES ERJ3GEYJ 102 V (1K) | T | 49.4/38.1 |
| R290 | 7030003440 | S.RES ERJ3GEYJ 102 V (1K) | T | 49.4/39.4 |
| R291 | 7030003440 | S.RES ERJ3GEYJ 102 V (1K) | T | 49.4/40.7 |
| R292 | 7030003440 | S.RES ERJ3GEYJ 102 V (1K) | T | 49.4/42.0 |
| R293 | 7030003440 | S.RES ERJ3GEYJ 102 V (1K) | T | 49.4/44.3 |
| R296 | 7030003640 | S.RES ERJ3GEYJ 473 V (47K) | T | 46.2/35.5 |
| R297 | 7030003680 | S.RES ERJ3GEYJ 104 V (100K) | T | 44.9/43.4 |
| R298 | 7030003640 | S.RES ERJ3GEYJ 473 V (47K) | T | 46.2/36.8 |
| R299 | 7030003640 | S.RES ERJ3GEYJ 473 V (47K) | T | 46.2/38.1 |
| R300 | 7030003640 | S.RES ERJ3GEYJ 473 V (47K) | T | 46.2/39.4 |
| R301 | 7030003640 | S.RES ERJ3GEYJ 473 V (47K) | T | 71.2/86.0 |
| R403 | 7030003640 | S.RES ERJ3GEYJ 473 V (47K) | T | 45.1/80.0 |
| R404 | 7030003640 | S.RES ERJ3GEYJ 473 V (47K) | B | 65.6/127.3 |
| R405 | 7030003640 | S.RES ERJ3GEYJ 473 V (47K) | B | 68.7/130.6 |
| R406 | 7030003640 | S.RES ERJ3GEYJ 473 V (47K) | T | 11.1/30.4 |
| R407 | 7030003640 | S.RES ERJ3GEYJ 473 V (47K) | T | 14.7/59.5 |
| R408 | 7030003640 | S.RES ERJ3GEYJ 473 V (47K) | T | 35.0/34.3 |
| R409 | 7030003640 | S.RES ERJ3GEYJ 473 V (47K) | T | 35.0/33.1 |
| R410 | 7030003640 | S.RES ERJ3GEYJ 473 V (47K) | T | 47.7/68.9 |
| R411 | 7030003640 | S.RES ERJ3GEYJ 473 V (47K) | T | 29.4/34.6 |
| R412 | 7030003640 | S.RES ERJ3GEYJ 473 V (47K) | T | 52.9/81.6 |
| R413 | 7030003640 | S.RES ERJ3GEYJ 473 V (47K) | T | 55.0/80.9 |
| R414 | 7030003640 | S.RES ERJ3GEYJ 473 V (47K) | T | 54.5/60.8 |
| R415 | 7030003640 | S.RES ERJ3GEYJ 473 V (47K) | T | 53.2/60.8 |
| R416 | 7030003640 | S.RES ERJ3GEYJ 473 V (47K) | T | 51.9/60.8 |
| R417 | 7030003800 | S.RES ERJ3GEYJ 105 V (1M) | T | 57.9/59.0 |
| R418 | 7030003640 | S.RES ERJ3GEYJ 473 V (47K) | T | 61.3/60.8 |
| R419 | 7030003640 | S.RES ERJ3GEYJ 473 V (47K) | T | 71.2/75.1 |
| R420 | 7030003640 | S.RES ERJ3GEYJ 473 V (47K) | T | 71.2/73.8 |
| R421 | 7030003560 | S.RES ERJ3GEYJ 103 V (10K) | B | 33.0/31.8 |
| R422 | 7030003640 | S.RES ERJ3GEYJ 473 V (47K) | B | 33.0/28.7 |
| R423 | 7030003640 | S.RES ERJ3GEYJ 473 V (47K) | B | 33.0/25.6 |
| R424 | 7030003640 | S.RES ERJ3GEYJ 473 V (47K) | T | 23.2/34.4 |

[DISPLAY UNIT]

| REF NO. | PARTS NO. | DESCRIPTION | M. | H/V LOCATION |
|---------|------------|---------------------------------------|----|--------------|
| R425 | 7030003640 | S.RES ERJ3GEYJ 473 V (47K) | T | 71.2/67.3 |
| R426 | 7030003640 | S.RES ERJ3GEYJ 473 V (47K) | T | 69.8/64.7 |
| R427 | 7030003640 | S.RES ERJ3GEYJ 473 V (47K) | T | 66.1/60.8 |
| R428 | 7030003640 | S.RES ERJ3GEYJ 473 V (47K) | T | 63.4/59.7 |
| R501 | 7030003520 | S.RES ERJ3GEYJ 472 V (4.7K) | T | 168.8/61.9 |
| R502 | 7030003520 | S.RES ERJ3GEYJ 472 V (4.7K) | T | 166.0/61.9 |
| R503 | 7030003520 | S.RES ERJ3GEYJ 472 V (4.7K) | T | 164.0/62.7 |
| R504 | 7030003520 | S.RES ERJ3GEYJ 472 V (4.7K) | T | 162.5/62.7 |
| R521 | 7030003670 | S.RES ERJ3GEYJ 823 V (82K) | T | 87.9/73.2 |
| R522 | 7030003730 | S.RES ERJ3GEYJ 274 V (270K) | T | 86.6/73.2 |
| R601 | 7030003480 | S.RES ERJ3GEYJ 222 V (2.2K) | T | 110.0/100.8 |
| R602 | 7030003520 | S.RES ERJ3GEYJ 472 V (4.7K) | T | 110.0/99.5 |
| R603 | 7030003580 | S.RES ERJ3GEYJ 153 V (15K) | T | 110.0/98.2 |
| R604 | 7030003540 | S.RES ERJ3GEYJ 682 V (6.8K) | T | 107.9/101.4 |
| R611 | 7030003540 | S.RES ERJ3GEYJ 682 V (6.8K) | T | 77.0/105.6 |
| R612 | 7030003480 | S.RES ERJ3GEYJ 222 V (2.2K) | T | 77.0/104.3 |
| R613 | 7030003520 | S.RES ERJ3GEYJ 472 V (4.7K) | T | 77.0/103.0 |
| R614 | 7030003580 | S.RES ERJ3GEYJ 153 V (15K) | T | 77.0/101.7 |
| R621 | 7030003540 | S.RES ERJ3GEYJ 682 V (6.8K) | T | 65.7/104.9 |
| R622 | 7030003480 | S.RES ERJ3GEYJ 222 V (2.2K) | T | 67.8/104.3 |
| R623 | 7030003520 | S.RES ERJ3GEYJ 472 V (4.7K) | T | 67.8/103.0 |
| R624 | 7030003580 | S.RES ERJ3GEYJ 153 V (15K) | T | 67.8/101.7 |
| R631 | 7030003540 | S.RES ERJ3GEYJ 682 V (6.8K) | T | 63.9/102.1 |
| R632 | 7030003480 | S.RES ERJ3GEYJ 222 V (2.2K) | T | 61.9/102.6 |
| R633 | 7030003520 | S.RES ERJ3GEYJ 472 V (4.7K) | T | 61.9/103.9 |
| R634 | 7030003580 | S.RES ERJ3GEYJ 153 V (15K) | T | 61.9/105.2 |
| R641 | 7030003540 | S.RES ERJ3GEYJ 682 V (6.8K) | T | 51.1/50.4 |
| R642 | 7030003480 | S.RES ERJ3GEYJ 222 V (2.2K) | T | 61.5/50.3 |
| R643 | 7030003520 | S.RES ERJ3GEYJ 472 V (4.7K) | T | 66.6/51.6 |
| R644 | 7030003580 | S.RES ERJ3GEYJ 153 V (15K) | T | 88.4/51.6 |
| R651 | 7030003540 | S.RES ERJ3GEYJ 682 V (6.8K) | T | 52.4/50.4 |
| R652 | 7030003480 | S.RES ERJ3GEYJ 222 V (2.2K) | T | 61.5/51.6 |
| R653 | 7030003520 | S.RES ERJ3GEYJ 472 V (4.7K) | T | 66.6/50.3 |
| R654 | 7030003580 | S.RES ERJ3GEYJ 153 V (15K) | T | 88.4/50.3 |
| R701 | 7030003540 | S.RES ERJ3GEYJ 682 V (6.8K) | T | 142.8/117.7 |
| R702 | 7030003480 | S.RES ERJ3GEYJ 222 V (2.2K) | T | 161.1/19.8 |
| R703 | 7030003520 | S.RES ERJ3GEYJ 472 V (4.7K) | T | 180.1/19.8 |
| R704 | 7030003580 | S.RES ERJ3GEYJ 153 V (15K) | T | 199.2/19.8 |
| R711 | 7030003540 | S.RES ERJ3GEYJ 682 V (6.8K) | T | 131.1/10.7 |
| R712 | 7030003480 | S.RES ERJ3GEYJ 222 V (2.2K) | T | 138.2/6.5 |
| R713 | 7030003520 | S.RES ERJ3GEYJ 472 V (4.7K) | T | 154.2/6.5 |
| R714 | 7030003580 | S.RES ERJ3GEYJ 153 V (15K) | T | 170.1/6.5 |
| R721 | 7030003520 | S.RES ERJ3GEYJ 472 V (4.7K) | T | 238.2/15.6 |
| R722 | 7210003370 | VAR R0904N-B10KL-20KQ-R1080 <SKD> | | |
| R723 | 7030003520 | S.RES ERJ3GEYJ 472 V (4.7K) | T | 222.5/15.5 |
| R724 | 7210003370 | VAR R0904N-B10KL-20KQ-R1080 <SKD> | | |
| R725 | 7030003520 | S.RES ERJ3GEYJ 472 V (4.7K) | T | 208.0/15.5 |
| R726 | 7210003370 | VAR R0904N-B10KL-20KQ-R1080 <SKD> | | |
| R727 | 7030003520 | S.RES ERJ3GEYJ 472 V (4.7K) | T | 191.4/15.5 |
| R728 | 7210003370 | VAR R0904N-B10KL-20KQ-R1080 <SKD> | | |
| R741 | 7030003350 | S.RES ERJ3GEYJ 181 V (180) | T | 279.7/57.9 |
| R742 | 7030003300 | S.RES ERJ3GEYJ 680 V (68) | T | 281.0/57.9 |
| R743 | 7030003370 | S.RES ERJ3GEYJ 271 V (270) | T | 279.7/29.2 |
| R744 | 7030003320 | S.RES ERJ3GEYJ 101 V (100) | T | 281.0/29.2 |
| C1 | 4030019560 | S.CER GRM21BB31C106KE15L | T | 80.6/99.4 |
| C2 | 4030011600 | S.CER C1608 JB 1E 104K-T | T | 78.9/99.0 |
| C3 | 4030019560 | S.CER GRM21BB31C106KE15L | T | 80.6/96.1 |
| C4 | 4030011600 | S.CER C1608 JB 1E 104K-T | T | 78.9/96.4 |
| C21 | 4030006860 | S.CER C1608 JB 1H 102K-T | T | 256.1/68.6 |
| C51 | 4030006900 | S.CER C1608 JB 1H 103K-T | T | 254.8/7.7 |
| C52 | 4030006900 | S.CER C1608 JB 1H 103K-T | T | 114.3/36.9 |
| C111 | 4030019560 | S.CER GRM21BB31C106KE15L | T | 236.7/90.7 |
| C113 | 4030019560 | S.CER GRM21BB31C106KE15L | T | 234.9/90.7 |
| C114 | 4510009770 | S.ELE 16 CE 47 FS | T | 238.2/79.7 |
| C115 | 4030018780 | S.CER C3225 JB 2J 473K-T | T | 234.0/69.4 |
| C116 | 4030013860 | S.CER GRM42D1X3F120JY02L (GHM1038 SL) | T | 231.5/41.9 |
| C117 | 4030011600 | S.CER C1608 JB 1E 104K-T | T | 240.4/84.3 |
| C146 | 4030019560 | S.CER GRM21BB31C106KE15L | T | 137.4/79.4 |
| C147 | 4030019560 | S.CER GRM21BB31C106KE15L | T | 126.1/72.4 |
| C148 | 4030019560 | S.CER GRM21BB31C106KE15L | T | 137.4/85.8 |
| C149 | 4030019560 | S.CER GRM21BB31C106KE15L | T | 121.5/81.3 |
| C151 | 4030011600 | S.CER C1608 JB 1E 104K-T | T | 121.8/83.3 |
| | | | | |

[DISPLAY UNIT]

| REF NO. | PARTS NO. | DESCRIPTION | M. | H/V LOCATION |
|---------|------------|---------------------------------|----|--------------|
| C403 | 4030011600 | S.CER C1608 JB 1E 104K-T | B | 149.2/12.0 |
| C404 | 4030007050 | S.CER C1608 CH 1H 220J-T | T | 35.9/32.9 |
| C405 | 4030011600 | S.CER C1608 JB 1E 104K-T | T | 41.0/32.9 |
| C451 | 4030019560 | S.CER GRM21BB31C106KE15L | T | 86.8/69.9 |
| C501 | 4030011600 | S.CER C1608 JB 1E 104K-T | T | 171.6/61.9 |
| C521 | 4030011600 | S.CER C1608 JB 1E 104K-T | T | 96.1/77.6 |
| C522 | 4030011600 | S.CER C1608 JB 1E 104K-T | T | 110.1/67.9 |
| C523 | 4030011600 | S.CER C1608 JB 1E 104K-T | T | 110.1/69.2 |
| C524 | 4030011600 | S.CER C1608 JB 1E 104K-T | T | 110.1/70.5 |
| C525 | 4030011600 | S.CER C1608 JB 1E 104K-T | T | 110.1/71.8 |
| C526 | 4030011600 | S.CER C1608 JB 1E 104K-T | T | 110.1/73.1 |
| C541 | 4030011600 | S.CER C1608 JB 1E 104K-T | T | 220.6/58.0 |
| C561 | 4030011600 | S.CER C1608 JB 1E 104K-T | T | 127.6/57.1 |
| C601 | 4030011600 | S.CER C1608 JB 1E 104K-T | B | 72.8/114.0 |
| C611 | 4030011600 | S.CER C1608 JB 1E 104K-T | B | 224.1/89.4 |
| C621 | 4030011600 | S.CER C1608 JB 1E 104K-T | T | 65.7/102.1 |
| C641 | 4030011600 | S.CER C1608 JB 1E 104K-T | T | 49.3/50.4 |
| C651 | 4030011600 | S.CER C1608 JB 1E 104K-T | T | 48.0/50.4 |
| C701 | 4030011600 | S.CER C1608 JB 1E 104K-T | T | 141.3/17.7 |
| C711 | 4030011600 | S.CER C1608 JB 1E 104K-T | T | 131.1/8.1 |
| C721 | 4030006880 | S.CER C1608 JB 1H 472K-T | T | 239.5/15.6 |
| C722 | 4030006880 | S.CER C1608 JB 1H 472K-T | T | 223.8/15.5 |
| C723 | 4030006880 | S.CER C1608 JB 1H 472K-T | T | 209.3/15.5 |
| C724 | 4030006880 | S.CER C1608 JB 1H 472K-T | T | 192.7/15.5 |
| C1117 | 4030011600 | S.CER C1608 JB 1E 104K-T | T | 241.3/89.9 |
| C1221 | 4030011600 | S.CER C1608 JB 1E 104K-T | T | 61.9/101.3 |
| J1 | 6510020081 | S.CON 52808-2071(2090) | T | 92.5/102.8 |
| J21 | 6510019971 | S.CON 52808-1071 | T | 245.4/12.7 |
| J31 | 6510019971 | S.CON 52808-1071 | T | 272.0/71.3 |
| J32 | 6510015541 | S.CON B4B-ZR-SM4-TF(LF)(SN) | T | 248.4/72.2 |
| J51 | 6510019971 | S.CON 52808-1071 | T | 247.5/41.4 |
| J61 | 6510027290 | S.CON 52808-0671 | T | 247.5/90.2 |
| J71 | 6510027290 | S.CON 52808-0671 | T | 36.1/20.8 |
| J81 | 6510027290 | S.CON 52808-0671 | T | 37.7/51.3 |
| J91 | 6510027290 | S.CON 52808-0671 | T | 37.7/90.3 |
| J101 | 6510018971 | S.CON B4B-PH-SM4-TB(LF)(SN) | T | 76.0/52.9 |
| J111 | 6510003401 | CON B04B-EH-S(LF)(SN) | | |
| J281 | 6510019971 | S.CON 52808-1071 | T | 53.7/38.9 |
| J451 | 6510027390 | S.CON 40FHY-RSM1-GAN-TF(LF)(SN) | T | 202.7/92.7 |
| J452 | 6510027390 | S.CON 40FHY-RSM1-GAN-TF(LF)(SN) | T | 149.2/92.7 |
| J453 | 6510027400 | S.CON 50FHY-RSM1-GAN-TF(LF)(SN) | T | 203.4/40.8 |
| J454 | 6510027400 | S.CON 50FHY-RSM1-GAN-TF(LF)(SN) | T | 175.9/47.8 |
| J455 | 6510027400 | S.CON 50FHY-RSM1-GAN-TF(LF)(SN) | T | 148.4/40.8 |
| DS111 | 5080000421 | CFL MBS 3 UA1W 70N ASSY | | |
| DS451 | 5030003350 | LCD TSC2G0369-E <SKD> | | |
| DS741 | 5040001870 | S.LED SEC 2462C | B | 280.2/62.0 |
| DS742 | 5040001870 | S.LED SEC 2462C | B | 280.2/30.0 |
| S601 | 2260002740 | S.SWI LS8J2M-T | B | 103.6/103.5 |
| S602 | 2260002740 | S.SWI LS8J2M-T | B | 103.6/95.7 |
| S603 | 2260002740 | S.SWI LS8J2M-T | B | 103.6/87.8 |
| S604 | 2260002740 | S.SWI LS8J2M-T | B | 103.6/80.0 |
| S611 | 2260002740 | S.SWI LS8J2M-T | B | 88.2/103.6 |
| S612 | 2260002740 | S.SWI LS8J2M-T | B | 88.2/95.7 |
| S613 | 2260002740 | S.SWI LS8J2M-T | B | 88.2/87.8 |
| S614 | 2260002740 | S.SWI LS8J2M-T | B | 88.2/79.9 |
| S621 | 2260002740 | S.SWI LS8J2M-T | B | 72.3/103.6 |
| S622 | 2260002740 | S.SWI LS8J2M-T | B | 72.3/95.7 |
| S623 | 2260002740 | S.SWI LS8J2M-T | B | 72.3/87.8 |
| S624 | 2260002740 | S.SWI LS8J2M-T | B | 72.3/79.9 |
| S631 | 2260002740 | S.SWI LS8J2M-T | B | 56.4/103.6 |
| S632 | 2260002740 | S.SWI LS8J2M-T | B | 56.4/95.7 |
| S633 | 2260002740 | S.SWI LS8J2M-T | B | 56.4/87.8 |
| S634 | 2260002740 | S.SWI LS8J2M-T | B | 56.4/79.9 |
| S641 | 2260002740 | S.SWI LS8J2M-T | B | 56.4/72.1 |
| S642 | 2260002740 | S.SWI LS8J2M-T | B | 72.3/72.1 |
| S643 | 2260002740 | S.SWI LS8J2M-T | B | 88.2/72.1 |
| S644 | 2260002740 | S.SWI LS8J2M-T | B | 103.6/72.1 |
| S651 | 2260002740 | S.SWI LS8J2M-T | B | 56.4/60.8 |
| S652 | 2260002740 | S.SWI LS8J2M-T | B | 72.3/64.3 |
| S653 | 2260002740 | S.SWI LS8J2M-T | B | 88.2/64.3 |
| S654 | 2260002740 | S.SWI LS8J2M-T | B | 103.6/60.8 |
| S661 | 2260002740 | S.SWI LS8J2M-T | B | 20.2/32.6 |
| S662 | 2260002740 | S.SWI LS8J2M-T | B | 6.2/32.6 |
| S663 | 2260002740 | S.SWI LS8J2M-T | B | 29.4/71.6 |
| S664 | 2260002740 | S.SWI LS8J2M-T | B | 11.0/71.6 |
| S671 | 2260002740 | S.SWI LS8J2M-T | B | 34.2/32.6 |
| S673 | 2260002740 | S.SWI LS8J2M-T | B | 44.7/7.4 |
| S681 | 2260002740 | S.SWI LS8J2M-T | B | 223.4/18.3 |
| S682 | 2260002740 | S.SWI LS8J2M-T | B | 111.2/6.9 |
| S683 | 2260002740 | S.SWI LS8J2M-T | B | 128.4/18.3 |
| S691 | 2260002740 | S.SWI LS8J2M-T | B | 217.5/25.1 |
| S692 | 2260002740 | S.SWI LS8J2M-T | B | 196.7/25.1 |
| S693 | 2260002740 | S.SWI LS8J2M-T | B | 175.9/25.1 |
| S694 | 2260002740 | S.SWI LS8J2M-T | B | 155.1/25.1 |
| S695 | 2260002740 | S.SWI LS8J2M-T | B | 134.3/25.1 |
| S701 | 2260002740 | S.SWI LS8J2M-T | B | 147.4/18.3 |
| S702 | 2260002740 | S.SWI LS8J2M-T | B | 166.4/18.3 |
| S703 | 2260002740 | S.SWI LS8J2M-T | B | 185.4/18.3 |
| S704 | 2260002740 | S.SWI LS8J2M-T | B | 204.4/18.3 |
| S711 | 2260002740 | S.SWI LS8J2M-T | B | 127.5/7.4 |
| S712 | 2260002740 | S.SWI LS8J2M-T | B | 143.5/7.4 |
| S713 | 2260002740 | S.SWI LS8J2M-T | B | 159.5/7.4 |
| S714 | 2260002740 | S.SWI LS8J2M-T | B | 175.5/7.4 |
| S731 | 2260002740 | S.SWI LS8J2M-T | B | 295.0/103.0 |
| S732 | 2260002740 | S.SWI LS8J2M-T | B | 295.0/92.7 |
| S733 | 2260002740 | S.SWI LS8J2M-T | B | 295.0/80.0 |
| S734 | 2260002740 | S.SWI LS8J2M-T | B | 295.0/71.5 |
| S735 | 2260002740 | S.SWI LS8J2M-T | B | 274.2/71.6 |
| S736 | 2260002740 | S.SWI LS8J2M-T | B | 255.8/71.6 |

[DISPLAY UNIT]

| REF NO. | PARTS NO. | DESCRIPTION | M. | H/V LOCATION |
|---------|------------|----------------------------|----|--------------|
| T113 | 5910001150 | S.TRA 6373-T170 (CEPH145B) | T | 234.2/55.0 |
| EP1 | 6910019900 | S.BEA MPZ1608S601AT | T | 83.3/98.0 |
| EP2 | 6910012350 | S.BEA MMZ1608Y 102BT | T | 87.5/97.9 |
| EP3 | 6910012350 | S.BEA MMZ1608Y 102BT | T | 83.3/95.4 |
| EP4 | 6910012350 | S.BEA MMZ1608Y 102BT | T | 89.9/97.9 |
| EP5 | 6910012350 | S.BEA MMZ1608Y 102BT | T | 91.2/97.9 |
| EP10 | 6910012350 | S.BEA MMZ1608Y 102BT | T | 92.5/97.9 |
| EP11 | 6910012350 | S.BEA MMZ1608Y 102BT | T | 93.8/97.9 |
| EP21 | 6910018930 | S.BEA MPZ2012S601A | T | 246.2/20.4 |
| EP22 | 6910012350 | S.BEA MMZ1608Y 102BT | T | 241.3/10.0 |

M.=Mounted side (T: Mounted on the Top side, B: Mounted on the Bottom side)
S.=Surface mount

[VR-A UNIT]

| REF NO. | PARTS NO. | DESCRIPTION | M. | H/V LOCATION |
|---------|------------|---------------------------|----|--------------|
| R2 | 7030003860 | S.RES ERJ3GE JPW V | T | 8.6/8.6 |
| R3 | 7030003860 | S.RES ERJ3GE JPW V | T | 8.6/13.2 |
| J2 | 6510027290 | S.CON 52808-0671 | T | 15.4/3.4 |
| S1 | 2250000410 | ENC TP90D96E20-30F-2178-1 | | |

[VR-B UNIT]

| REF NO. | PARTS NO. | DESCRIPTION | M. | H/V LOCATION |
|---------|------------|---------------------------------|----|--------------|
| R1 | 7210002970 | VAR RV-314(RK0972210 10KB/10KB) | T | 18.1/7.7 |
| R4 | 7030003520 | S.RES ERJ3GEYJ 472 V (4.7K) | T | 19.3/7.7 |
| R5 | 7030003520 | S.RES ERJ3GEYJ 472 V (4.7K) | T | |
| R6 | 7210002970 | VAR RV-314(RK0972210 10KB/10KB) | T | 12.5/7.7 |
| R7 | 7030003520 | S.RES ERJ3GEYJ 472 V (4.7K) | T | 14.9/7.7 |
| R8 | 7030003520 | S.RES ERJ3GEYJ 472 V (4.7K) | T | |
| C3 | 4030006900 | S.CER C1608 JB 1H 103K-T | T | 20.5/7.7 |
| C4 | 4030006900 | S.CER C1608 JB 1H 103K-T | T | 16.9/7.7 |
| C5 | 4030006900 | S.CER C1608 JB 1H 103K-T | T | 13.7/7.7 |
| C6 | 4030006900 | S.CER C1608 JB 1H 103K-T | T | 11.3/7.7 |
| J2 | 6510019971 | S.CON 52808-1071 | T | 4.0/10.2 |

M.=Mounted side (T: Mounted on the Top side, B: Mounted on the Bottom side)
S.=Surface mount

[PBT UNIT]

| REF NO. | PARTS NO. | DESCRIPTION | M. | H/V LOCATION |
|---------|------------|---------------------------|----|--------------|
| J1 | 6510027290 | S.CON 52808-0671 | T | 16.4/5.3 |
| S1 | 2250000410 | ENC TP90D96E20-30F-2178-1 | | |

[M-CH UNIT]

| REF NO. | PARTS NO. | DESCRIPTION | M. | H/V LOCATION |
|---------|------------|---------------------------|----|--------------|
| R2 | 7030003860 | S.RES ERJ3GE JPW V | T | 11.2/8.0 |
| R3 | 7030003860 | S.RES ERJ3GE JPW V | T | 10.9/3.0 |
| J1 | 6510027290 | S.CON 52808-0671 | T | 18.6/13.8 |
| S1 | 2250000410 | ENC TP90D96E20-30F-2178-1 | | |

M.=Mounted side (T: Mounted on the Top side, B: Mounted on the Bottom side)
S.=Surface mount

[RIT UNIT]

| REF NO. | PARTS NO. | DESCRIPTION | M. | H/V LOCATION |
|---------|------------|------------------|----|--------------|
| J1 | 6510027290 | S.CON 52808-0671 | T | 9.2/9.8 |
| S1 | 2250000650 | ENC EVEGC2F2524B | | |

[JACK UNIT]

| REF NO. | PARTS NO. | DESCRIPTION | M. | H/V LOCATION |
|---------|------------|--------------------------|----|--------------|
| R1 | 7030006240 | S.RES ERJ12YJ181U (180) | T | 30.3/4.9 |
| R2 | 7030006240 | S.RES ERJ12YJ181U (180) | T | 34.0/4.9 |
| C1 | 4030006900 | S.CER C1608 JB 1H 103K-T | T | 15.5/16.2 |
| C2 | 4030006900 | S.CER C1608 JB 1H 103K-T | T | 7.2/8.6 |
| C101 | 4030006900 | S.CER C1608 JB 1H 103K-T | T | 6.7/15.4 |
| C102 | 4030006900 | S.CER C1608 JB 1H 103K-T | T | 4.1/15.4 |
| J1 | 6510020711 | S.CON 52793-1070(1090) | T | 9.0/24.0 |
| J2 | 6510027890 | CON 01J0370-00 | | |
| J102 | 6510023900 | CON LGR4619-7000 | | |
| EP1 | 6910014690 | S.BEA MPZ1608S221A-T | T | 27.7/6.1 |
| EP2 | 6910014690 | S.BEA MPZ1608S221A-T | T | 23.8/3.0 |
| EP3 | 6910014690 | S.BEA MPZ1608S221A-T | T | 23.8/1.7 |
| EP4 | 6910012350 | S.BEA MMZ1608Y 102BT | T | 15.5/13.4 |
| EP5 | 6910012350 | S.BEA MMZ1608Y 102BT | T | 13.3/15.4 |
| EP6 | 6910012350 | S.BEA MMZ1608Y 102BT | T | 10.6/16.6 |
| EP101 | 6910012350 | S.BEA MMZ1608Y 102BT | T | 6.7/16.6 |
| EP102 | 6910012350 | S.BEA MMZ1608Y 102BT | T | 4.1/16.6 |

M.=Mounted side (T: Mounted on the Top side, B: Mounted on the Bottom side)
S.=Surface mount

[MIC UNIT]

| REF NO. | PARTS NO. | DESCRIPTION | M. | H/V LOCATION |
|---------|------------|--------------------------|----|--------------|
| C1 | 4030006900 | S.CER C1608 JB 1H 103K-T | T | 15.0/17.1 |
| C2 | 4030006900 | S.CER C1608 JB 1H 103K-T | T | 12.6/8.0 |
| C3 | 4030006900 | S.CER C1608 JB 1H 103K-T | T | 7.2/13.2 |
| C4 | 4030007130 | S.CER C1608 CH 1H 101J-T | T | 8.2/3.7 |
| C5 | 4030006900 | S.CER C1608 JB 1H 103K-T | T | 17.5/2.5 |
| C6 | 4030006900 | S.CER C1608 JB 1H 103K-T | T | 8.2/2.5 |
| C7 | 4030006900 | S.CER C1608 JB 1H 103K-T | T | 7.8/11.4 |
| C8 | 4030007090 | S.CER C1608 CH 1H 470J-T | T | 15.0/15.6 |
| J1 | 6510000191 | CON FM214-8SS(P)-1 | T | |
| J2 | 6510019971 | S.CON 52808-1071 | T | 3.4/10.4 |
| EP2 | 6910012350 | S.BEA MMZ1608Y 102BT | T | 18.2/3.7 |
| EP3 | 6910012350 | S.BEA MMZ1608Y 102BT | T | 11.7/2.5 |
| EP4 | 6910012350 | S.BEA MMZ1608Y 102BT | T | 13.2/16.4 |
| EP5 | 6910012350 | S.BEA MMZ1608Y 102BT | T | 21.4/12.1 |
| EP6 | 6910018930 | S.BEA MPZ2012S601A | T | 8.0/8.4 |
| EP7 | 6910018930 | S.BEA MPZ2012S601A | T | 9.5/13.3 |
| EP9 | 6910015130 | S.BEA MMZ1608D 301BT | T | 8.2/4.9 |
| EP10 | 6910015130 | S.BEA MMZ1608D 301BT | T | 8.2/6.1 |
| EP11 | 6910012350 | S.BEA MMZ1608Y 102BT | T | 16.9/16.4 |
| EP12 | 6910018930 | S.BEA MPZ2012S601A | T | 9.8/16.9 |

[BPF UNIT]

| REF NO. | PARTS NO. | DESCRIPTION | M. | H/V LOCATION |
|---------|------------|-----------------------------|----|--------------|
| IC201 | 1110007400 | S.IC BGA616 | T | 25.5/57.3 |
| Q131 | 1590003680 | S.TRA KRC402 RTK/P | T | 82.2/58.0 |
| Q132 | 1590003680 | S.TRA KRC402 RTK/P | T | 53.6/60.7 |
| Q318 | 1590003770 | S.TRA KRA302E-RTK/P | T | 51.8/18.0 |
| Q320 | 1590003770 | S.TRA KRA302E-RTK/P | T | 91.6/18.0 |
| Q322 | 1590003770 | S.TRA KRA302E-RTK/P | T | 55.9/17.8 |
| Q324 | 1590003770 | S.TRA KRA302E-RTK/P | T | 96.5/18.0 |
| Q326 | 1590003770 | S.TRA KRA302E-RTK/P | T | 66.8/18.0 |
| Q328 | 1590003770 | S.TRA KRA302E-RTK/P | T | 99.9/18.0 |
| Q330 | 1590003770 | S.TRA KRA302E-RTK/P | T | 71.0/17.8 |
| Q332 | 1590003770 | S.TRA KRA302E-RTK/P | T | 103.0/18.0 |
| Q334 | 1590003770 | S.TRA KRA302E-RTK/P | T | 76.1/18.2 |
| Q336 | 1590003770 | S.TRA KRA302E-RTK/P | T | 110.4/16.9 |
| Q338 | 1590003770 | S.TRA KRA302E-RTK/P | T | 86.7/18.0 |
| Q511 | 1530003852 | S.TRA 2SC5551A-F-TD-E | T | 28.6/7.4 |
| Q512 | 1530003852 | S.TRA 2SC5551A-F-TD-E | T | 26.8/21.4 |
| Q514 | 1590003770 | S.TRA KRA302E-RTK/P | T | 46.6/5.9 |
| Q515 | 1590003680 | S.TRA KRC402 RTK/P | T | 50.8/8.6 |
| Q531 | 1590003770 | S.TRA KRA302E-RTK/P | T | 46.6/13.7 |
| Q532 | 1530003852 | S.TRA 2SC5551A-F-TD-E | T | 27.4/42.3 |
| Q533 | 1590003770 | S.TRA KRA302E-RTK/P | T | 46.6/15.7 |
| Q534 | 1590003680 | S.TRA KRC402 RTK/P | T | 50.8/11.1 |
| Q551 | 1590003680 | S.TRA KRC402 RTK/P | T | 50.8/6.1 |
| Q552 | 1590003770 | S.TRA KRA302E-RTK/P | T | 46.1/11.7 |
| Q554 | 1510001090 | S.TRA KTA2015Y-RTK/P | T | 46.9/9.4 |
| D11 | 1750000581 | S.DIO 1SV307(TPH3F) | B | 52.3/21.8 |
| D21 | 1750000581 | S.DIO 1SV307(TPH3F) | B | 65.4/50.3 |
| D22 | 1750000581 | S.DIO 1SV307(TPH3F) | B | 63.1/21.8 |
| D31 | 1750000581 | S.DIO 1SV307(TPH3F) | B | 105.0/49.3 |
| D32 | 1750000581 | S.DIO 1SV307(TPH3F) | B | 105.5/20.8 |
| D41 | 1750000581 | S.DIO 1SV307(TPH3F) | B | 70.4/49.3 |
| D42 | 1750000581 | S.DIO 1SV307(TPH3F) | B | 78.2/21.8 |
| D51 | 1750000581 | S.DIO 1SV307(TPH3F) | B | 92.9/49.3 |
| D52 | 1750000581 | S.DIO 1SV307(TPH3F) | B | 93.0/21.8 |
| D61 | 1750000581 | S.DIO 1SV307(TPH3F) | B | 97.8/49.3 |
| D62 | 1750000581 | S.DIO 1SV307(TPH3F) | B | 97.9/21.8 |
| D71 | 1750000581 | S.DIO 1SV307(TPH3F) | B | 102.7/49.3 |
| D72 | 1750000581 | S.DIO 1SV307(TPH3F) | B | 102.8/21.8 |
| D81 | 1750000581 | S.DIO 1SV307(TPH3F) | B | 68.1/49.3 |
| D82 | 1750000581 | S.DIO 1SV307(TPH3F) | B | 67.3/21.8 |
| D91 | 1750000581 | S.DIO 1SV307(TPH3F) | B | 82.1/49.3 |
| D92 | 1750000581 | S.DIO 1SV307(TPH3F) | B | 83.1/21.8 |
| D102 | 1750000581 | S.DIO 1SV307(TPH3F) | B | 88.1/21.8 |
| D111 | 1750000581 | S.DIO 1SV307(TPH3F) | B | 88.0/49.3 |
| D131 | 1750000581 | S.DIO 1SV307(TPH3F) | B | 73.9/60.5 |
| D132 | 1750000581 | S.DIO 1SV307(TPH3F) | B | 73.9/64.5 |
| D133 | 1750000581 | S.DIO 1SV307(TPH3F) | B | 73.9/56.5 |
| D134 | 1750000581 | S.DIO 1SV307(TPH3F) | B | 72.3/67.4 |
| D143 | 1750001320 | S.DIO KDS4148U RTK/P | B | 90.4/56.2 |
| D161 | 1750000581 | S.DIO 1SV307(TPH3F) | B | 48.9/58.2 |
| D162 | 1750000581 | S.DIO 1SV307(TPH3F) | B | 36.7/58.2 |
| D511 | 1750000581 | S.DIO 1SV307(TPH3F) | B | 43.9/28.5 |
| D512 | 1750001320 | S.DIO KDS4148U RTK/P | B | 50.5/5.6 |
| D513 | 1750000581 | S.DIO 1SV307(TPH3F) | B | 8.5/26.8 |
| D531 | 1750001320 | S.DIO KDS4148U RTK/P | B | 46.8/13.7 |
| D532 | 1750000581 | S.DIO 1SV307(TPH3F) | B | 43.9/34.1 |
| D533 | 1750000581 | S.DIO 1SV307(TPH3F) | B | 16.7/33.4 |
| D551 | 1750000581 | S.DIO 1SV307(TPH3F) | B | 41.0/31.4 |
| D552 | 1750000581 | S.DIO 1SV307(TPH3F) | B | 20.6/33.4 |
| L11 | 6200010800 | S.COI C2520C-4R7G-A | T | 51.5/44.3 |
| L12 | 6200010800 | S.COI C2520C-4R7G-A | T | 52.5/37.0 |
| L13 | 6200002041 | S.COI NLV25T-101J | T | 51.5/23.6 |
| L21 | 6180003540 | COI SP0406-3R9K-6 | | |
| L22 | 6180003770 | COI SP0406-100J-PF | | |
| L23 | 6180003540 | COI SP0406-3R9K-6 | | |
| L31 | 6180003410 | COI SP0406-2R2K-6 | | |
| L32 | 6180003570 | COI SP0406-3R3K-6 | | |
| L33 | 6180003410 | COI SP0406-2R2K-6 | | |
| L41 | 6180003390 | COI SP0406-1R2K-6 | | |
| L42 | 6180003490 | COI SP0406-2R7K-6 | | |
| L43 | 6180003390 | COI SP0406-1R2K-6 | | |
| L51 | 6200010960 | S.COI C2520C-R47G-A (0.47U) | T | 91.5/43.9 |
| L52 | 6200010810 | S.COI C2520C-2R2G-A | T | 92.3/39.7 |
| L53 | 6200010960 | S.COI C2520C-R47G-A (0.47U) | T | 91.6/31.8 |
| L61 | 6200010740 | S.COI C2520C-R27G-A | T | 96.4/40.7 |
| L62 | 6200010810 | S.COI C2520C-2R2G-A | T | 97.2/35.0 |
| L63 | 6200010740 | S.COI C2520C-R27G-A | T | 96.5/27.8 |
| L71 | 6200010680 | S.COI C2520C-R22G-A (0.22U) | T | 34.5/12.8 |
| L72 | 6200010440 | S.COI C2520C-1R2G-A (1.2U) | T | 102.1/39.7 |
| L73 | 6200010680 | S.COI C2520C-R22G-A (0.22U) | T | 101.3/32.5 |
| L81 | 6200010650 | S.COI C2520C-R12G-A (0.12U) | T | 66.5/44.3 |
| L82 | 6200010450 | S.COI C2520C-R82G-A (0.82U) | T | 67.5/38.5 |
| L83 | 6200010650 | S.COI C2520C-R12G-A (0.12U) | T | 66.7/30.5 |
| L91 | 6200005011 | S.COI NLV25T-100J | T | 80.8/47.7 |
| L92 | 6200010680 | S.COI C2520C-R22G-A (0.22U) | T | 81.7/44.3 |
| L93 | 6200010660 | S.COI C2520C-R15G-A (0.15U) | T | 82.5/40.5 |
| L94 | 6200010660 | S.COI C2520C-R15G-A (0.15U) | T | 81.7/36.7 |
| L95 | 6200010660 | S.COI C2520C-R15G-A (0.15U) | T | 81.7/22.6 |
| L96 | 6200010660 | S.COI C2520C-R15G-A (0.15U) | T | 81.0/27.7 |
| L111 | 6200010740 | S.COI C2520C-R27G-A | T | 86.6/40.7 |
| L112 | 6200010680 | S.COI C2520C-R22G-A (0.22U) | T | 87.4/35.0 |
| L113 | 6200010740 | S.COI C2520C-R27G-A | T | 86.7/27.8 |
| L131 | 6200005491 | S.COI NLV32T-331J | B | 81.2/58.5 |
| L132 | 6200005491 | S.COI NLV32T-331J | B | 61.1/62.2 |
| L133 | 6180003560 | COI SP0406-5R6K-6 | | |
| L134 | 6180003550 | COI SP0406-4R7K-6 | | |
| L135 | 6200005491 | S.COI NLV32T-331J | B | 54.0/61.4 |
| L141 | 6200010730 | S.COI C2520C-68NG-A | B | 106.6/17.9 |
| L201 | 6200009810 | S.COI LQH31HNR61J03L | B | 147.1/28.7 |

M.=Mounted side (T: Mounted on the Top side, B: Mounted on the Bottom side)
S.=Surface mount

[BPF UNIT]

| REF NO. | PARTS NO. | DESCRIPTION | M. | H/V LOCATION |
|---------|------------|-----------------------------|----|--------------|
| L202 | 6200002181 | S.COI NLV25T-R12J | T | 18.3/56.5 |
| L203 | 6200005041 | S.COI NLV25T-220J | T | 25.9/54.7 |
| L301 | 6200005491 | S.COI NLV32T-331J | B | 14.6/12.8 |
| L302 | 6200005491 | S.COI NLV32T-331J | B | 47.1/21.5 |
| L303 | 6200005491 | S.COI NLV32T-331J | B | 50.8/41.0 |
| L511 | 6200005491 | S.COI NLV32T-331J | B | 36.3/26.8 |
| L512 | 6140003800 | COI LR-439 | | |
| L513 | 6200002041 | S.COI NLV25T-101J | T | 31.2/15.7 |
| L514 | 6200002041 | S.COI NLV25T-101J | T | 31.0/30.5 |
| L515 | 6140003810 | COI LR-440 | | |
| L516 | 6140003810 | COI LR-440 | | |
| L517 | 6200009060 | S.COI LQH32CN101K23L | T | 19.1/28.9 |
| L518 | 6140003800 | COI LR-439 | | |
| L519 | 6200005491 | S.COI NLV32T-331J | B | 19.1/27.8 |
| L531 | 6200005491 | S.COI NLV32T-331J | B | 44.2/45.1 |
| L532 | 6140004430 | COI LR-500 | | |
| L533 | 6140003900 | COI LR-489 | | |
| L534 | 6200002041 | S.COI NLV25T-101J | B | 25.6/41.5 |
| L535 | 6200005491 | S.COI NLV32T-331J | B | 22.6/40.7 |
| L536 | 6200011660 | S.COI LQW18ANR15G00D | T | 18.7/35.2 |
| L551 | 6200005491 | S.COI NLV32T-331J | B | 37.4/32.2 |
| R11 | 7030003320 | S.RES ERJ3GEYJ 101 V (100) | T | 51.8/31.5 |
| R12 | 7030003860 | S.RES ERJ3GE JPW V | T | 53.3/28.4 |
| R13 | 7030003320 | S.RES ERJ3GEYJ 101 V (100) | T | 52.5/26.1 |
| R21 | 7030003320 | S.RES ERJ3GEYJ 101 V (100) | T | 56.1/27.5 |
| R22 | 7030003320 | S.RES ERJ3GEYJ 101 V (100) | T | 61.6/44.5 |
| R31 | 7030003320 | S.RES ERJ3GEYJ 101 V (100) | T | 106.1/24.1 |
| R32 | 7030003320 | S.RES ERJ3GEYJ 101 V (100) | T | 107.7/46.4 |
| R41 | 7030003320 | S.RES ERJ3GEYJ 101 V (100) | T | 6.5/40.7 |
| R42 | 7030003320 | S.RES ERJ3GEYJ 101 V (100) | T | 19.4/39.5 |
| R51 | 7030003320 | S.RES ERJ3GEYJ 101 V (100) | T | 91.6/26.5 |
| R52 | 7030003320 | S.RES ERJ3GEYJ 101 V (100) | T | 90.1/41.3 |
| R61 | 7030003320 | S.RES ERJ3GEYJ 101 V (100) | T | 96.5/23.3 |
| R62 | 7030003320 | S.RES ERJ3GEYJ 101 V (100) | T | 95.0/37.5 |
| R71 | 7030003320 | S.RES ERJ3GEYJ 101 V (100) | T | 101.4/26.7 |
| R72 | 7030003320 | S.RES ERJ3GEYJ 101 V (100) | T | 99.9/40.5 |
| R81 | 7030003320 | S.RES ERJ3GEYJ 101 V (100) | T | 66.8/24.7 |
| R82 | 7030003320 | S.RES ERJ3GEYJ 101 V (100) | T | 65.3/41.1 |
| R91 | 7030003320 | S.RES ERJ3GEYJ 101 V (100) | T | 78.9/21.8 |
| R92 | 7030003320 | S.RES ERJ3GEYJ 101 V (100) | T | 78.9/47.3 |
| R111 | 7030003320 | S.RES ERJ3GEYJ 101 V (100) | T | 86.7/23.3 |
| R112 | 7030003320 | S.RES ERJ3GEYJ 101 V (100) | T | 85.2/37.5 |
| R131 | 7030006260 | S.RES ERJ12YJ471U (470) | B | 77.4/61.7 |
| R132 | 7030003520 | S.RES ERJ3GEYJ 472 V (4.7K) | T | 82.0/56.1 |
| R133 | 7030006260 | S.RES ERJ12YJ471U (470) | B | 54.7/65.1 |
| R134 | 7030003460 | S.RES ERJ3GEYJ 152 V (1.5K) | B | 51.7/59.0 |
| R135 | 7030003380 | S.RES ERJ3GEYJ 331 V (330) | B | 57.2/59.7 |
| R136 | 7030003680 | S.RES ERJ3GEYJ 104 V (100K) | T | 55.5/60.8 |
| R141 | 7030003300 | S.RES ERJ3GEYJ 680 V (68) | T | 103.7/59.0 |
| R142 | 7030003360 | S.RES ERJ3GEYJ 221 V (220) | T | 103.0/57.0 |
| R143 | 7030003300 | S.RES ERJ3GEYJ 680 V (68) | T | 103.7/54.9 |
| R144 | 7030003360 | S.RES ERJ3GEYJ 221 V (220) | T | 88.8/55.1 |
| R161 | 7030005280 | S.RES ERJ3GEYJ 6R8V (6.8) | B | 44.8/58.2 |
| R162 | 7030003350 | S.RES ERJ3GEYJ 181 V (180) | B | 47.1/62.8 |
| R163 | 7030005280 | S.RES ERJ3GEYJ 6R8V (6.8) | B | 40.8/58.2 |
| R167 | 7030003320 | S.RES ERJ3GEYJ 101 V (100) | T | 46.1/65.0 |
| R170 | 7030003440 | S.RES ERJ3GEYJ 102 V (1K) | B | 33.0/57.4 |
| R174 | 7030003860 | S.RES ERJ3GE JPW V | T | 47.0/60.5 |
| R201 | 7030003400 | S.RES ERJ3GEYJ 471 V (470) | T | 9.8/61.9 |
| R202 | 7030003200 | S.RES ERJ3GEYJ 100 V (10) | T | 9.0/59.7 |
| R203 | 7030003400 | S.RES ERJ3GEYJ 471 V (470) | T | 11.1/59.0 |
| R207 | 7030003360 | S.RES ERJ3GEYJ 221 V (220) | T | 30.8/54.7 |
| R208 | 7030003360 | S.RES ERJ3GEYJ 221 V (220) | T | 30.8/53.3 |
| R209 | 7030003360 | S.RES ERJ3GEYJ 221 V (220) | T | 30.8/51.9 |
| R301 | 7030006260 | S.RES ERJ12YJ471U (470) | B | 10.6/13.5 |
| R302 | 7030006260 | S.RES ERJ12YJ471U (470) | B | 47.1/27.3 |
| R303 | 7030006260 | S.RES ERJ12YJ471U (470) | B | 49.6/33.5 |
| R321 | 7030003860 | S.RES ERJ3GE JPW V | T | 57.5/8.6 |
| R322 | 7030003860 | S.RES ERJ3GE JPW V | T | 58.8/8.6 |
| R323 | 7030003860 | S.RES ERJ3GE JPW V | T | 69.2/8.6 |
| R324 | 7030003860 | S.RES ERJ3GE JPW V | T | 61.4/8.6 |
| R325 | 7030003860 | S.RES ERJ3GE JPW V | T | 65.3/8.6 |
| R326 | 7030003860 | S.RES ERJ3GE JPW V | T | 66.6/8.6 |
| R327 | 7030003860 | S.RES ERJ3GE JPW V | T | 67.9/8.6 |
| R328 | 7030003860 | S.RES ERJ3GE JPW V | T | 60.1/8.6 |
| R329 | 7030003860 | S.RES ERJ3GE JPW V | T | 62.7/8.6 |
| R330 | 7030003860 | S.RES ERJ3GE JPW V | T | 64.0/8.6 |
| R331 | 7030003860 | S.RES ERJ3GE JPW V | T | 70.5/8.6 |
| R332 | 7030003860 | S.RES ERJ3GE JPW V | T | 54.3/7.8 |
| R333 | 7030003860 | S.RES ERJ3GE JPW V | T | 54.5/9.1 |
| R334 | 7030003860 | S.RES ERJ3GE JPW V | T | 54.5/10.4 |
| R335 | 7030003220 | S.RES ERJ3GEYJ 150 V (15) | T | 73.1/8.6 |
| R337 | 7030003860 | S.RES ERJ3GE JPW V | T | 78.7/6.6 |
| R338 | 7030003860 | S.RES ERJ3GE JPW V | T | 78.7/4.0 |
| R339 | 7030003860 | S.RES ERJ3GE JPW V | T | 71.8/8.6 |
| R340 | 7030003220 | S.RES ERJ3GEYJ 150 V (15) | T | 74.3/8.6 |
| R341 | 7030003560 | S.RES ERJ3GEYJ 103 V (10K) | T | 51.0/19.9 |
| R342 | 7030003560 | S.RES ERJ3GEYJ 103 V (10K) | T | 56.1/19.6 |
| R343 | 7030003560 | S.RES ERJ3GEYJ 103 V (10K) | T | 90.8/23.3 |
| R344 | 7030003560 | S.RES ERJ3GEYJ 103 V (10K) | T | 66.0/21.3 |
| R345 | 7030003560 | S.RES ERJ3GEYJ 103 V (10K) | T | 95.7/19.9 |
| R346 | 7030003560 | S.RES ERJ3GEYJ 103 V (10K) | T | 71.1/19.6 |
| R347 | 7030003560 | S.RES ERJ3GEYJ 103 V (10K) | T | 100.6/23.3 |
| R348 | 7030003560 | S.RES ERJ3GEYJ 103 V (10K) | T | 76.1/21.8 |
| R349 | 7030003560 | S.RES ERJ3GEYJ 103 V (10K) | T | 104.6/21.5 |
| R350 | 7030003560 | S.RES ERJ3GEYJ 103 V (10K) | T | 85.9/19.9 |
| R511 | 7030003320 | S.RES ERJ3GEYJ 101 V (100) | B | 39.6/26.7 |
| R512 | 7030003280 | S.RES ERJ3GEYJ 470 V (47) | T | 31.3/13.4 |
| R513 | 7030003280 | S.RES ERJ3GEYJ 470 V (47) | T | 31.7/27.7 |
| R514 | 7030003440 | S.RES ERJ3GEYJ 102 V (1K) | T | 32.8/6.8 |
| R515 | 7030003440 | S.RES ERJ3GEYJ 102 V (1K) | T | 31.1/21.0 |
| R516 | 7030003490 | S.RES ERJ3GEYJ 272 V (2.7K) | T | 32.6/5.5 |
| R517 | 7030003490 | S.RES ERJ3GEYJ 272 V (2.7K) | T | 31.1/19.7 |

[BPF UNIT]

| REF NO. | PARTS NO. | DESCRIPTION | M. | H/V LOCATION |
|---------|------------|-----------------------------|-----|--------------|
| R518 | 7030003320 | S.RES ERJ3GEYJ 101 V (100) | B | 15.1/26.8 |
| R519 | 7030003220 | S.RES ERJ3GEYJ 150 V (15) | B | 29.5/13.7 |
| R520 | 7030003220 | S.RES ERJ3GEYJ 150 V (15) | B | 26.0/29.1 |
| R521 | 7030003280 | S.RES ERJ3GEYJ 470 V (47) | T | 22.9/28.7 |
| R522 | 7030003280 | S.RES ERJ3GEYJ 470 V (47) | T | 24.7/22.9 |
| R523 | 7030003680 | S.RES ERJ3GEYJ 104 V (100K) | T | 37.3/26.8 |
| R524 | 7030003860 | S.RES ERJ3GE JPW V | T | 44.0/16.7 |
| R531 | 7030003320 | S.RES ERJ3GEYJ 101 V (100) | B | 45.7/41.0 |
| R532 | 7030003510 | S.RES ERJ3GEYJ 392 V (3.9K) | T | 40.6/36.8 |
| R533 | 7030003440 | S.RES ERJ3GEYJ 102 V (1K) | T | 36.3/36.0 |
| R534 | 7030007860 | S.RES ERJ3GEYJ 8R2V (8.2) | B | 30.2/42.0 |
| R535 | 7030003240 | S.RES ERJ3GEYJ 220 V (22) | T | 29.8/36.0 |
| R536 | 7030003320 | S.RES ERJ3GEYJ 101 V (100) | B | 19.3/47.0 |
| R537 | 7030003200 | S.RES ERJ3GEYJ 100 V (10) | T | 42.1/39.0 |
| R538 | 7030003280 | S.RES ERJ3GEYJ 470 V (47) | B | 34.6/37.5 |
| R539 | 7030003680 | S.RES ERJ3GEYJ 104 V (100K) | T | 45.4/45.0 |
| R550 | 7030003360 | S.RES ERJ3GEYJ 221 V (220) | T | 45.4/19.2 |
| R551 | 7030003320 | S.RES ERJ3GEYJ 101 V (100) | B | 34.5/32.9 |
| R552 | 7030003320 | S.RES ERJ3GEYJ 101 V (100) | B | 29.4/34.3 |
| R553 | 7030003680 | S.RES ERJ3GEYJ 104 V (100K) | B | 38.3/30.8 |
| R554 | 7030003440 | S.RES ERJ3GEYJ 102 V (1K) | B | 49.3/8.2 |
| R555 | 7030003200 | S.RES ERJ3GEYJ 100 V (10) | T | 36.8/28.8 |
| R556 | 7030003200 | S.RES ERJ3GEYJ 100 V (10) | T | 44.6/47.0 |
| R557 | 7030003560 | S.RES ERJ3GEYJ 103 V (10K) | T | 46.8/7.5 |
| C12 | 4030018600 | S.CER C1608 CH 1H 152J-T | T | 52.5/40.2 |
| C13 | 4030019570 | S.CER C1608 CH 1H 332J-T | T | 52.5/41.8 |
| C14 | 4030019570 | S.CER C1608 CH 1H 332J-T | T | 52.5/33.9 |
| C15 | 4030019570 | S.CER C1608 CH 1H 332J-T | T | 50.4/47.3 |
| C16 | 4030019120 | S.CER GRM188B31E105KA75D | T | 53.3/31.5 |
| C19 | 4030011600 | S.CER C1608 JB 1E 104K-T | T | 51.0/21.2 |
| C21 | 4030011600 | S.CER C1608 JB 1E 104K-T | T | 61.6/47.1 |
| C22 | 4030018620 | S.CER C1608 CH 1H 222J-T | T | 61.6/45.8 |
| C23 | 4030017810 | S.CER C1608 CH 1H 102J-T | T | 62.5/37.2 |
| C24 | 4030018620 | S.CER C1608 CH 1H 222J-T | T | 56.1/28.8 |
| C25 | 4030011600 | S.CER C1608 JB 1E 104K-T | T | 56.1/30.1 |
| C29 | 4030011600 | S.CER C1608 JB 1E 104K-T | T | 56.1/20.8 |
| C31 | 4030011600 | S.CER C1608 JB 1E 104K-T | T | 105.7/47.0 |
| C32 | 4030018600 | S.CER C1608 CH 1H 152J-T | T | 105.7/45.7 |
| C33 | 4030017810 | S.CER C1608 CH 1H 102J-T | T | 111.7/25.6 |
| C34 | 4030018600 | S.CER C1608 CH 1H 152J-T | T | 109.0/25.6 |
| C35 | 4030011600 | S.CER C1608 JB 1E 104K-T | T | 106.9/26.3 |
| C39 | 4030011600 | S.CER C1608 JB 1E 104K-T | T | 104.6/22.8 |
| C41 | 4030011600 | S.CER C1608 JB 1E 104K-T | T | 71.1/53.5 |
| C42 | 4030017870 | S.CER C1608 CH 1H 681J-T | T | 71.1/52.2 |
| C43 | 4030011830 | S.CER C1608 CH 1H 301J-T | T | 77.5/32.7 |
| C44 | 4030017870 | S.CER C1608 CH 1H 681J-T | T | 71.1/28.8 |
| C45 | 4030011600 | S.CER C1608 JB 1E 104K-T | T | 71.1/30.1 |
| C49 | 4030011600 | S.CER C1608 JB 1E 104K-T | T | 71.1/20.8 |
| C51 | 4030011600 | S.CER C1608 JB 1E 104K-T | T | 90.1/46.9 |
| C52 | 4030017870 | S.CER C1608 CH 1H 681J-T | T | 92.1/46.1 |
| C53 | 4030007150 | S.CER C1608 CH 1H 151J-T | T | 92.9/35.7 |
| C54 | 4030017870 | S.CER C1608 CH 1H 681J-T | T | 92.1/29.5 |
| C55 | 4030011600 | S.CER C1608 JB 1E 104K-T | T | 90.8/28.3 |
| C59 | 4030011600 | S.CER C1608 JB 1E 104K-T | T | 90.8/24.6 |
| C61 | 4030011600 | S.CER C1608 JB 1E 104K-T | T | 95.1/43.7 |
| C62 | 4030017800 | S.CER C1608 CH 1H 561J-T | T | 97.0/38.2 |
| C63 | 4030007110 | S.CER C1608 CH 1H 680J-T | T | 98.0/31.0 |
| C64 | 4030017800 | S.CER C1608 CH 1H 561J-T | T | 95.8/30.2 |
| C65 | 4030011600 | S.CER C1608 JB 1E 104K-T | T | 95.7/25.3 |
| C69 | 4030011600 | S.CER C1608 JB 1E 104K-T | T | 95.7/21.2 |
| C71 | 4030011600 | S.CER C1608 JB 1E 104K-T | T | 99.9/46.9 |
| C72 | 4030011330 | S.CER C1608 CH 1H 391J-T | T | 101.9/46.1 |
| C73 | 4030007110 | S.CER C1608 CH 1H 680J-T | T | 102.1/35.7 |
| C74 | 4030011330 | S.CER C1608 CH 1H 391J-T | T | 101.9/30.0 |
| C75 | 4030011600 | S.CER C1608 JB 1E 104K-T | T | 100.6/28.7 |
| C79 | 4030011600 | S.CER C1608 JB 1E 104K-T | T | 100.6/24.6 |
| C81 | 4030011600 | S.CER C1608 JB 1E 104K-T | T | 65.4/47.3 |
| C82 | 4030010760 | S.CER C1608 CH 1H 331J-T | T | 67.3/41.9 |
| C83 | 4030007090 | S.CER C1608 CH 1H 470J-T | T | 68.3/34.1 |
| C84 | 4030010760 | S.CER C1608 CH 1H 331J-T | T | 67.5/28.0 |
| C85 | 4030011600 | S.CER C1608 JB 1E 104K-T | T | 66.0/26.7 |
| C89 | 4030011600 | S.CER C1608 JB 1E 104K-T | T | 66.0/22.6 |
| C91 | 4030006860 | S.CER C1608 JB 1H 102K-T | T | 77.6/47.3 |
| C92 | 4030007040 | S.CER C1608 CH 1H 180J-T | T | 78.1/44.5 |
| C93 | 4030007100 | S.CER C1608 CH 1H 560J-T | T | 78.1/43.2 |
| C94 | 4030007050 | S.CER C1608 CH 1H 220J-T | T | 79.0/41.1 |
| C95 | 4030007020 | S.CER C1608 CH 1H 120J-T | T | 80.3/41.1 |
| C96 | 4030007120 | S.CER C1608 CH 1H 820J-T | T | 79.5/39.1 |
| C97 | 4030007010 | S.CER C1608 CH 1H 100D-T | T | 82.5/33.2 |
| C98 | 4030007090 | S.CER C1608 CH 1H 470J-T | T | 81.2/31.9 |
| C99 | 4030007090 | S.CER C1608 CH 1H 470J-T | T</ | |

[BPF UNIT]

| REF NO. | PARTS NO. | DESCRIPTION | M. | H/V LOCATION |
|---------|------------|----------------------------|----|--------------|
| C142 | 4030006900 | S.CER C1608 JB 1H 103K-T | T | 89.6/57.2 |
| C143 | 4030011600 | S.CER C1608 JB 1E 104K-T | T | 53.7/57.1 |
| C161 | 4030011600 | S.CER C1608 JB 1E 104K-T | B | 47.1/65.1 |
| C170 | 4030011600 | S.CER C1608 JB 1E 104K-T | T | 28.3/58.2 |
| C201 | 4030007010 | S.CER C1608 CH 1H 100D-T | T | 14.8/60.7 |
| C202 | 4030007120 | S.CER C1608 CH 1H 820J-T | T | 15.9/57.2 |
| C203 | 4030007020 | S.CER C1608 CH 1H 120J-T | T | 18.3/58.4 |
| C204 | 4030007120 | S.CER C1608 CH 1H 820J-T | T | 20.8/57.2 |
| C205 | 4030011600 | S.CER C1608 JB 1E 104K-T | T | 22.9/56.5 |
| C206 | 4030011600 | S.CER C1608 JB 1E 104K-T | T | 28.4/55.5 |
| C301 | 4030019120 | S.CER GRM188B31E105KA75D | B | 7.5/12.4 |
| C302 | 4030019120 | S.CER GRM188B31E105KA75D | B | 44.6/31.4 |
| C321 | 4030006860 | S.CER C1608 JB 1H 102K-T | B | 54.6/6.9 |
| C322 | 4030006860 | S.CER C1608 JB 1H 102K-T | B | 54.5/8.7 |
| C323 | 4030006860 | S.CER C1608 JB 1H 102K-T | B | 54.5/10.5 |
| C325 | 4030006860 | S.CER C1608 JB 1H 102K-T | B | 82.2/7.6 |
| C326 | 4030006860 | S.CER C1608 JB 1H 102K-T | B | 82.2/9.4 |
| C327 | 4030006860 | S.CER C1608 JB 1H 102K-T | B | 56.9/7.1 |
| C328 | 4030006860 | S.CER C1608 JB 1H 102K-T | B | 58.7/7.1 |
| C329 | 4030006860 | S.CER C1608 JB 1H 102K-T | B | 60.5/7.1 |
| C330 | 4030006860 | S.CER C1608 JB 1H 102K-T | B | 62.3/7.1 |
| C331 | 4030006860 | S.CER C1608 JB 1H 102K-T | B | 64.1/7.1 |
| C332 | 4030006860 | S.CER C1608 JB 1H 102K-T | B | 65.9/7.1 |
| C333 | 4030006860 | S.CER C1608 JB 1H 102K-T | B | 67.7/7.1 |
| C334 | 4030006860 | S.CER C1608 JB 1H 102K-T | B | 69.5/7.1 |
| C335 | 4030006860 | S.CER C1608 JB 1H 102K-T | B | 71.3/7.1 |
| C336 | 4030006860 | S.CER C1608 JB 1H 102K-T | B | 73.1/7.1 |
| C337 | 4030006860 | S.CER C1608 JB 1H 102K-T | B | 74.9/7.0 |
| C338 | 4030006860 | S.CER C1608 JB 1H 102K-T | B | 78.5/7.1 |
| C339 | 4030006860 | S.CER C1608 JB 1H 102K-T | B | 76.7/7.0 |
| C340 | 4510009340 | S.ELE EEEHA1C101WP | T | 78.5/10.8 |
| C511 | 4030011600 | S.CER C1608 JB 1E 104K-T | T | 36.0/26.8 |
| C512 | 4030019120 | S.CER GRM188B31E105KA75D | B | 41.4/26.7 |
| C513 | 4030019120 | S.CER GRM188B31E105KA75D | T | 32.8/8.1 |
| C514 | 4030019120 | S.CER GRM188B31E105KA75D | T | 31.1/22.3 |
| C515 | 4030019120 | S.CER GRM188B31E105KA75D | B | 31.6/17.4 |
| C516 | 4030019120 | S.CER GRM188B31E105KA75D | B | 30.8/29.2 |
| C517 | 4030019120 | S.CER GRM188B31E105KA75D | T | 31.3/10.8 |
| C518 | 4030019120 | S.CER GRM188B31E105KA75D | T | 31.1/25.1 |
| C519 | 4030019120 | S.CER GRM188B31E105KA75D | B | 18.8/17.3 |
| C520 | 4030019120 | S.CER GRM188B31E105KA75D | B | 18.9/24.0 |
| C521 | 4030006860 | S.CER C1608 JB 1H 102K-T | T | 31.3/12.1 |
| C522 | 4030019120 | S.CER GRM188B31E105KA75D | B | 11.9/26.1 |
| C523 | 4030011600 | S.CER C1608 JB 1E 104K-T | T | 16.1/28.2 |
| C526 | 4030007010 | S.CER C1608 CH 1H 100D-T | B | 12.7/21.8 |
| C527 | 4030006860 | S.CER C1608 JB 1H 102K-T | T | 31.1/26.4 |
| C528 | 4030006860 | S.CER C1608 JB 1H 102K-T | T | 32.8/9.4 |
| C529 | 4030006860 | S.CER C1608 JB 1H 102K-T | T | 31.1/23.6 |
| C531 | 4030019120 | S.CER GRM188B31E105KA75D | B | 43.9/41.0 |
| C532 | 4030019120 | S.CER GRM188B31E105KA75D | B | 20.2/40.7 |
| C533 | 4030019120 | S.CER GRM188B31E105KA75D | T | 35.0/36.0 |
| C534 | 4030019120 | S.CER GRM188B31E105KA75D | T | 32.4/36.0 |
| C535 | 4030011600 | S.CER C1608 JB 1E 104K-T | T | 43.9/45.0 |
| C536 | 4030006860 | S.CER C1608 JB 1H 102K-T | T | 33.7/36.0 |
| C537 | 4030006860 | S.CER C1608 JB 1H 102K-T | T | 31.1/36.0 |
| C538 | 4030019120 | S.CER GRM188B31E105KA75D | T | 22.4/36.2 |
| C539 | 4030006860 | S.CER C1608 JB 1H 102K-T | T | 21.1/36.2 |
| C540 | 4030011600 | S.CER C1608 JB 1E 104K-T | T | 25.1/47.5 |
| C541 | 4030006990 | S.CER C1608 CH 1H 080D-T | T | 42.8/36.8 |
| C542 | 4550006120 | S.TAN TEESVA OG 226M8R | T | 28.1/36.0 |
| C543 | 4550006120 | S.TAN TEESVA OG 226M8R | T | 38.0/34.8 |
| C544 | 4030007010 | S.CER C1608 CH 1H 100D-T | T | 16.5/35.9 |
| C545 | 4030019120 | S.CER GRM188B31E105KA75D | T | 13.5/28.2 |
| C546 | 4030019120 | S.CER GRM188B31E105KA75D | T | 14.8/28.2 |
| C549 | 4030019120 | S.CER GRM188B31E105KA75D | T | 42.9/30.8 |
| C550 | 4030019120 | S.CER GRM188B31E105KA75D | T | 41.6/30.8 |
| C551 | 4030011600 | S.CER C1608 JB 1E 104K-T | T | 40.3/30.8 |
| C552 | 4030019120 | S.CER GRM188B31E105KA75D | B | 31.9/33.2 |
| C553 | 4030009520 | S.CER C1608 CH 1H 020B-T | T | 24.2/6.7 |
| C554 | 4030009520 | S.CER C1608 CH 1H 020B-T | T | 22.0/20.9 |
| RL141 | 6330001860 | REL UA2-12NU | | |
| J141 | 6510028210 | CON SJ050010 (TMP-J01X-V6) | | |
| J201 | 6510028210 | CON SJ050010 (TMP-J01X-V6) | | |
| J301 | 6510028210 | CON SJ050010 (TMP-J01X-V6) | | |
| J302 | 6510020081 | S.CON 52808-2071(2090) | T | 65.5/4.0 |

[DC-DC UNIT]

| REF NO. | PARTS NO. | DESCRIPTION | M. | H/V LOCATION |
|---------|------------|--------------------------------|----|--------------|
| IC201 | 1190002450 | S.IC BD9851EFV-E2 | T | 56.9/27.4 |
| IC301 | 1190002450 | S.IC BD9851EFV-E2 | T | 29.1/27.4 |
| Q201 | 1550000140 | S.FET CPH6316-TL-E | T | 52.8/21.2 |
| Q202 | 1550000140 | S.FET CPH6316-TL-E | T | 62.0/21.9 |
| Q302 | 1550000140 | S.FET CPH6316-TL-E | T | 34.2/21.9 |
| D201 | 1790001450 | S.DIO RB160L-40 TE-25 | T | 54.1/16.3 |
| D202 | 1790001450 | S.DIO RB160L-40 TE-25 | T | 67.2/20.2 |
| D203 | 1750000880 | S.DIO RB551V-30TE-17 | T | 61.8/26.6 |
| D302 | 1790001450 | S.DIO RB160L-40 TE-25 | T | 39.4/20.2 |
| D303 | 1750000880 | S.DIO RB551V-30TE-17 | T | 34.0/26.6 |
| L201 | 6180003501 | S.COI SLF6028T-100M1R3-PF | T | 49.1/16.0 |
| L202 | 6200011300 | S.COI EXCML16A270U | T | 53.4/12.6 |
| L203 | 6200013280 | S.COI SLF10145T-330M1R6-PF | T | 56.2/37.1 |
| L204 | 6200012250 | S.COI SLF7045T-3R3M2R5-PF 3.3U | T | 61.9/16.3 |
| L205 | 6200011300 | S.COI EXCML16A270U | T | 64.6/21.5 |
| L303 | 6200013280 | S.COI SLF10145T-330M1R6-PF | T | 68.0/37.1 |
| L304 | 6200012250 | S.COI SLF7045T-3R3M2R5-PF 3.3U | T | 34.1/16.3 |
| L305 | 6200011300 | S.COI EXCML16A270U | T | 36.8/21.5 |
| R201 | 7030005691 | S.RES ERA3YED 123V (12K) | T | 47.9/30.5 |
| R202 | 7030007230 | S.RES ERA3YED 102V (1K) | T | 49.1/30.5 |
| R203 | 7030006461 | S.RES ERA3YED 152V (1.5K) | T | 47.1/27.4 |
| R204 | 7030003440 | S.RES ERJ3GEYJ 102 V (1K) | T | 46.7/30.5 |
| R205 | 7030003440 | S.RES ERJ3GEYJ 102 V (1K) | T | 49.1/26.8 |
| R206 | 7030003700 | S.RES ERJ3GEYJ 154 V (150K) | T | 47.9/23.7 |
| R207 | 7030003740 | S.RES ERJ3GEYJ 334 V (330K) | T | 49.8/24.2 |
| R208 | 7030005451 | S.RES ERA3YED 153V (15K) | T | 47.1/25.0 |
| R209 | 7030005321 | S.RES ERA3YED 103V (10K) | T | 47.1/26.2 |
| R210 | 7030005511 | S.RES ERA3YED 303V (30K) | T | 52.5/30.4 |
| R211 | 7030003200 | S.RES ERJ3GEYJ 100 V (10) | T | 52.2/24.2 |
| R212 | 7030003200 | S.RES ERJ3GEYJ 100 V (10) | T | 62.1/24.4 |
| R213 | 7030003860 | S.RES ERJ3GE JPW V | T | 63.9/26.5 |
| R214 | 7030005971 | S.RES ERA3YKD 683V (68K) | T | 66.3/31.7 |
| R215 | 7030005971 | S.RES ERA3YKD 683V (68K) | T | 68.1/31.0 |
| R216 | 7030005451 | S.RES ERA3YED 153V (15K) | T | 64.3/31.4 |
| R217 | 7030003440 | S.RES ERJ3GEYJ 102 V (1K) | T | 66.7/29.9 |
| R218 | 7030003480 | S.RES ERJ3GEYJ 222 V (2.2K) | T | 63.4/28.9 |
| R219 | 7030003760 | S.RES ERJ3GEYJ 474 V (470K) | T | 64.5/26.4 |
| R221 | 7030008170 | S.RES ERJ12YJ1R0U (1) | T | 49.7/4.3 |
| R307 | 7030003860 | S.RES ERJ3GE JPW V | T | 22.0/24.2 |
| R308 | 7030003860 | S.RES ERJ3GE JPW V | T | 19.5/25.0 |
| R310 | 7030005981 | S.RES ERA3YED 333V (33K) | T | 24.6/30.4 |
| R312 | 7030003200 | S.RES ERJ3GEYJ 100 V (10) | T | 34.3/24.4 |
| R313 | 7030003860 | S.RES ERJ3GE JPW V | T | 36.1/26.5 |
| R314 | 7030006601 | S.RES ERA3YED 272V (2.7K) | T | 38.5/31.7 |
| R315 | 7030005731 | S.RES ERA3YKD 823V (82K) | T | 40.3/31.0 |
| R316 | 7030005691 | S.RES ERA3YED 123V (12K) | T | 36.0/31.4 |
| R317 | 7030003440 | S.RES ERJ3GEYJ 102 V (1K) | T | 38.9/29.9 |
| R318 | 7030003480 | S.RES ERJ3GEYJ 222 V (2.2K) | T | 35.8/28.9 |
| R319 | 7030003760 | S.RES ERJ3GEYJ 474 V (470K) | T | 36.5/24.9 |
| R321 | 7030003860 | S.RES ERJ3GE JPW V | T | 22.2/30.5 |
| C3 | 4030011600 | S.CER C1608 JB 1E 104K-T | T | 12.1/3.0 |
| C4 | 4030011600 | S.CER C1608 JB 1E 104K-T | T | 13.3/4.5 |
| C5 | 4030011600 | S.CER C1608 JB 1E 104K-T | T | 11.5/3.5 |
| C6 | 4030011600 | S.CER C1608 JB 1E 104K-T | T | 9.1/38.8 |
| C201 | 4030011600 | S.CER C1608 JB 1E 104K-T | T | 49.0/9.0 |
| C202 | 4030018970 | S.CER C3225 JB 1C 226MT-N | T | 48.2/11.2 |
| C203 | 4030018970 | S.CER C3225 JB 1C 226MT-N | T | 47.8/20.8 |
| C204 | 4030010020 | S.CER C1608 JB 1H 122K-T | T | 48.0/28.6 |
| C205 | 4030008860 | S.CER C1608 JB 1H 153K-T | T | 50.3/26.8 |
| C206 | 4030011810 | S.CER C1608 JB 1A 224K-T | T | 51.0/24.2 |
| C207 | 4030007070 | S.CER C1608 CH 1H 330J-T | T | 51.3/30.4 |
| C208 | 4030011600 | S.CER C1608 JB 1E 104K-T | T | 65.4/34.1 |
| C209 | 4030018970 | S.CER C3225 JB 1C 226MT-N | T | 66.1/36.3 |
| C210 | 4030018970 | S.CER C3225 JB 1C 226MT-N | T | 66.1/39.3 |
| C211 | 4030018970 | S.CER C3225 JB 1C 226MT-N | T | 56.9/22.4 |
| C212 | 4030010240 | S.CER C1608 JB 1H 391K-T | T | 65.5/29.9 |
| C213 | 4030010770 | S.CER C1608 JB 1H 392K-T | T | 63.9/27.7 |
| C214 | 4030019620 | S.CER GRM188B31C225KE14D | T | 67.0/26.1 |
| C215 | 4030019620 | S.CER GRM188B31C225KE14D | T | 61.5/31.4 |
| C216 | 4030019120 | S.CER GRM188B31E105KA75D | T | 62.7/31.4 |
| C217 | 4030018970 | S.CER C3225 JB 1C 226MT-N | T | 67.2/14.8 |
| C218 | 4030011600 | S.CER C1608 JB 1E 104K-T | T | 67.4/9.2 |
| C219 | 4030019560 | S.CER GRM21BB31C106KE15L | T | 53.4/3.2 |
| C220 | 4030019560 | S.CER GRM21BB31C106KE15L | T | 64.0/4.8 |
| C307 | 4030007070 | S.CER C1608 CH 1H 330J-T | T | 23.4/30.4 |
| C308 | 4030011600 | S.CER C1608 JB 1E 104K-T | T | 37.6/34.1 |
| C309 | 4030018970 | S.CER C3225 JB 1C 226MT-N | T | 38.3/36.3 |
| C310 | 4030018970 | S.CER C3225 JB 1C 226MT-N | T | 38.3/39.3 |
| C311 | 4030018970 | S.CER C3225 JB 1C 226MT-N | T | 29.1/22.4 |
| C312 | 4030010240 | S.CER C1608 JB 1H 391K-T | T | 37.7/29.9 |
| C313 | 4030010770 | S.CER C1608 JB 1H 392K-T | T | 36.1/27.7 |
| C314 | 4030019620 | S.CER GRM188B31C225KE14D | T | 39.2/26.1 |
| C315 | 4030019620 | S.CER GRM188B31C225KE14D | T | 33.5/31.4 |
| C316 | 4030019120 | S.CER GRM188B31E105KA75D | T | 34.7/31.4 |
| C317 | 4030018970 | S.CER C3225 JB 1C 226MT-N | T | 39.4/14.8 |
| C318 | 4030011600 | S.CER C1608 JB 1E 104K-T | T | 39.6/9.2 |
| C319 | 4030019560 | S.CER GRM21BB31C106KE15L | T | 36.3/4.8 |
| J1 | 6510019121 | S.CON S8B-PH-SM4-TB(LF)(SN) | T | 16.4/5.8 |
| F201 | 5210001050 | S.FUS ICP-S0.5TN | T | 44.6/4.3 |
| F202 | 5210001040 | S.FUS ICP-S1.2TN | T | 59.3/4.8 |
| F302 | 5210001040 | S.FUS ICP-S1.2TN | T | 31.5/4.8 |

M.=Mounted side (T: Mounted on the Top side, B: Mounted on the Bottom side)
S.=Surface mount

[DC-DC UNIT]

| REF NO. | PARTS NO. | DESCRIPTION | M. | H/V LOCATION |
|---------|------------|--------------------|----|--------------|
| EP3 | 6910018930 | S.BEA MPZ2012S601A | T | 15.1/10.9 |
| EP4 | 6910018930 | S.BEA MPZ2012S601A | T | 13.3/9.8 |
| EP5 | 6910018930 | S.BEA MPZ2012S601A | T | 11.5/8.7 |
| EP6 | 6910018930 | S.BEA MPZ2012S601A | T | 15.2/37.6 |
| EP7 | 6910018930 | S.BEA MPZ2012S601A | T | 13.3/36.6 |
| EP8 | 6910018930 | S.BEA MPZ2012S601A | T | 10.2/36.4 |
| EP201 | 6910018930 | S.BEA MPZ2012S601A | T | 56.0/9.1 |
| EP202 | 6910018930 | S.BEA MPZ2012S601A | T | 60.5/8.2 |
| EP203 | 6910018930 | S.BEA MPZ2012S601A | T | 49.1/37.1 |
| EP302 | 6910018930 | S.BEA MPZ2012S601A | T | 32.6/8.2 |
| EP303 | 6910018930 | S.BEA MPZ2012S601A | T | 20.9/37.1 |

M.=Mounted side (T: Mounted on the Top side, B: Mounted on the Bottom side)
 S.=Surface mount

SECTION 6

MECHANICAL PARTS

[CHASSIS PARTS]

| REF NO. | ORDER NO. | DESCRIPTION | QTY. |
|---------|------------|-------------------------------|------|
| J1 | 6510000370 | MR-DS-01 <SSC> | 1 |
| J2 | 6510000370 | MR-DS-01 <SSC> | 1 |
| J3 | 6510000370 | MR-DS-01 <SSC> | 1 |
| J4 | 6510000330 | NR-DS-01 <SSC> | 1 |
| SP1 | 2510000761 | SM-C77KY0208 | 1 |
| MF1 | 2710000630 | FBA08T12HC | 1 |
| W1** | 8900019230 | OPC-2025 (P1N20L80) | 1 |
| W2** | 8900019440 | OPC-2077 (P1N16L60) | 1 |
| W3** | 8900017980 | OPC-1341A (P1N30L70) | 1 |
| W4** | 8900019230 | OPC-2025 (P1N20L80) | 1 |
| W5** | 8900015160 | OPC-916A (P1N22L120) | 1 |
| W6** | 8900019570 | OPC-2085 (P0.5N40L150) | 1 |
| W7** | 8900020210 | OPC-2099 (P0.5N40L330S) | 1 |
| W8** | 8900019270 | OPC-2029 (P1N20L190) | 1 |
| W9** | 8900019900 | OPC-2135 (P1N20L100) | 1 |
| W10** | 8900019290 | OPC-2031 (P0.5N30L110) | 1 |
| W101** | 8970025110 | 1.5D 300MM (#3183 CH W101) | 1 |
| W103** | 8970025120 | 1.5D 150MM (#3183 CH W103) | 1 |
| W105** | 8970025130 | 1.5D 300MM (#3183 CH W105) | 1 |
| W107** | 8970024201 | 1.5DCOAXIAL300MM-1 C31/C31 | 1 |
| W109** | 8970025140 | 1.5D 320MM (#3183 CH W109) | 1 |
| W111** | 8970025140 | 1.5D 320MM (#3183 CH W109) | 1 |
| W113** | 8970025160 | 1.5D 320MM (#3183 CH W113) | 1 |
| W115** | 8970025170 | 1.5D 420MM (#3183 CH W115) | 1 |
| W117** | 8970025110 | 1.5D 300MM (#3183 CH W101) | 1 |
| W119** | 8970024401 | 1.5DCOAXIAL360MM-1 C31/C31 | 1 |
| W121** | 8970024401 | 1.5DCOAXIAL360MM-1 C31/C31 | 1 |
| W123** | 8970025180 | 1.5D 150MM (#3183 CH W123) | 1 |
| W125** | 8970024291 | 1.5DCOAXIAL150MM-1 C31/C31 | 1 |
| W127** | 8970025190 | 1.5D 250MM (#3183 CH W127) | 1 |
| W129** | 8970024091 | 1.5DCOAXIAL210MM-1 C31/C31 | 1 |
| W131** | 8970024730 | 1.5DCOAXIAL 80MM C31/C31 | 1 |
| W133** | 8970024401 | 1.5DCOAXIAL360MM-1 C31/C31 | 1 |
| W135** | 8970024201 | 1.5DCOAXIAL300MM-1 C31/C31 | 1 |
| W137** | 8970024201 | 1.5DCOAXIAL300MM-1 C31/C31 | 1 |
| W139** | 8970024341 | 1.5DCOAXIAL190MM-1 C31/C31 | 1 |
| W141** | 8970024082 | 1.5DCOAXIAL180MM-2 C31/C31 | 1 |
| W143** | 8970025210 | 1.5DCOAXIAL250MM C31/C31 | 1 |
| W145** | 8970025200 | 1.5D 300MM (#3183 CH W145) | 1 |
| W1001** | 8600037310 | SX3183 P1001*P1002CH | 1 |
| W1021** | 8600037320 | SX3183 P1021*P1022CH | 1 |
| W1031** | 8600037330 | SX3183 P1031*P1032CH | 1 |
| W1041** | 8600037340 | SX3183 P1041*P1042CH | 1 |
| W1051** | 8600037320 | SX3183 P1021*P1022CH | 1 |
| W1061** | 8600037350 | SX3183 P1061*1062*1063*1064CH | 1 |
| W1081** | 8600037420 | SX3183 P1081*82*83CH 6G4 | 1 |
| W1091** | 8600037370 | SX3183 P1091*P1092*P1093CH | 1 |
| W1101** | 8600037380 | SX3183 J1101*P1102CH | 1 |
| W1121** | 8600037390 | SX3183 P1121CH | 1 |
| W1111** | 8900019310 | OPC-2033 | 1 |
| W1131** | 8900019320 | OPC-2034 | 1 |
| EP1 | 6910021760 | BH09062901 (FAN GUARD) | 1 |
| EP141 | 9064200040 | VINYL TUBE 6 L=20MM | 1 |
| EP142 | 9064200040 | VINYL TUBE 6 L=20MM | 1 |
| MP1 | 8010021550 | 3183 CHASSIS | 1 |
| MP2 | 8110009830 | 3183 U-COVERASSEMBLY | 1 |
| MP3 | 8110009781 | 3183 L-COVER-1 | 1 |
| MP4 | 8510019470 | 3183 SHIELD COVER | 1 |
| MP7 | 8810006501 | BIND M4 X20 ZK3 | 4 |
| MP8 | 8510019490 | 3183 TUNER PLATE | 1 |
| MP9 | 8510019480 | 3183 PLL PLATE | 1 |
| MP10 | 8510019510 | 3183 BPF PLATE | 1 |
| MP11 | 8510019501 | 3183 BPF CASE-1 | 1 |
| MP15 | 8810003361 | SETSCREWC M3 X 6 ZC3 | 4 |
| MP16 | 8930052450 | 2355 EARTH PLATE | 4 |
| MP18 | 8810008661 | PHBT M3 X 8 NI-ZC3 | 8 |
| MP19 | 8930077030 | 3073 MAIN STAND | 2 |
| MP20 | 8930077040 | 3073 SUB STAND | 2 |
| MP21 | 8810008661 | PHBT M3 X 8 NI-ZC3 | 2 |
| MP22 | 8930077020 | 3073 A-STAND SHEET | 2 |
| MP23 | 8930077490 | 3073 B-STAND SHEET | 2 |
| MP24 | 8930040590 | RUBBER LEG (K) | 2 |
| MP25 | 8930077650 | 3073 SIDE HANDLE (5) | 2 |
| MP26 | 8810010870 | FLAT M4 X12 ZK3 | 2 |
| MP27 | 8930079690 | RUBBER STAND (Q) | 4 |
| MP28 | 8820000530 | FLANGE BOLT M4 X 8 NI | 1 |
| MP29 | 8850000140 | FLAT WASHER M 4 NI BS | 2 |
| MP30 | 8850000430 | S-WASHER M 4 NI | 1 |
| MP31 | 8810005771 | BIND M3 X 8 ZK3BLACK | 12 |
| MP32 | 8810005771 | BIND M3 X 8 ZK3BLACK | 6 |
| MP33 | 8810008661 | PHBT M3 X 8 NI-ZC3 | 22 |
| MP34 | 8810009651 | FLATBT M3 X 8 NI-ZC3 | 4 |

[CHASSIS PARTS]

| REF NO. | ORDER NO. | DESCRIPTION | QTY. |
|---------|------------|--|------|
| MP35 | 8810008661 | PHBT M3 X 8 NI-ZC3 | 7 |
| MP36 | 8810008661 | PHBT M3 X 8 NI-ZC3 | 8 |
| MP37 | 8810003361 | SETSCREWC M3 X 6 ZC3 | 5 |
| MP38 | 8810008661 | PHBT M3 X 8 NI-ZC3 | 7 |
| MP39 | 8810008661 | PHBT M3 X 8 NI-ZC3 | 1 |
| MP40 | 8930027480 | 1126 TR-A CLIP Y124 | 1 |
| MP41 | 8810008661 | PHBT M3 X 8 NI-ZC3 | 9 |
| MP42 | 8810008661 | PHBT M3 X 8 NI-ZC3 | 7 |
| MP43 | 8810008661 | PHBT M3 X 8 NI-ZC3 | 9 |
| MP44 | 8810008661 | PHBT M3 X 8 NI-ZC3 | 5 |
| MP45 | 8810005771 | BIND M3 X 8 ZK3BLACK | 5 |
| MP46 | 8810008661 | PHBT M3 X 8 NI-ZC3 | 4 |
| MP47 | 8810008661 | PHBT M3 X 8 NI-ZC3 | 9 |
| MP48 | 8810008661 | PHBT M3 X 8 NI-ZC3 | 13 |
| MP49 | 8810007231 | SETSCREWH M3 X 8 ZC3 | 2 |
| MP50 | 8810007231 | SETSCREWH M3 X 8 ZC3 | 4 |
| MP51 | 8930075440 | 3015 RUG SPRING Y1115 | 2 |
| MP52 | 8810008661 | PHBT M3 X 8 NI-ZC3 | 17 |
| MP54 | 8810007231 | SETSCREWH M3 X 8 ZC3 | 2 |
| MP55 | 8810007231 | SETSCREWH M3 X 8 ZC3 | 4 |
| MP57 | 8810007231 | SETSCREWH M3 X 8 ZC3 | 4 |
| MP59 | 8810007231 | SETSCREWH M3 X 8 ZC3 | 2 |
| MP60 | 8810007231 | SETSCREWH M3 X 8 ZC3 | 4 |
| MP62 | 8310050190 | 2355 ANT PLATE | 1 |
| MP63 | 8810007231 | SETSCREWH M3 X 8 ZC3 | 1 |
| MP64 | 8930080830 | THERMAL SHEET (BV)TC300HSV1.4 (5X19.5) | 1 |
| MP65 | 8810008661 | PHBT M3 X 8 NI-ZC3 | 4 |
| MP66 | 8010021630 | 3183 MAIN CHASSIS | 1 |
| MP67 | 8930079060 | 3073 DC PLATE | 1 |
| MP68 | 8930067290 | SHIELD SPONGE (AR) | 1 |
| MP71 | 8930015640 | CODE HOLDER SX713 | 1 |
| MP72 | 8930080990 | 3183 FAN SPRING Y1196 | 1 |
| MP73 | 8930081060 | 3183 AL SHEET | 1 |
| MP74 | 8930067290 | SHIELD SPONGE (AR) | 1 |
| MP75 | 8510019730 | 3183 DC-DC PLATE | 1 |
| MP76 | 8510019720 | 3183 DC-DC CASE | 1 |
| MP77 | 8810008661 | PHBT M3 X 8 NI-ZC3 | 4 |
| MP78 | 8810003361 | SETSCREWC M3 X 6 ZC3 | 4 |
| MP79 | 8810007231 | SETSCREWH M3 X 8 ZC3 | 9 |
| MP80 | 8950003640 | COATING CLIP CS-2 (UL) | 1 |
| MP81 | 8930067290 | SHIELD SPONGE (AR) | 1 |
| MP82 | 8930070510 | THERMAL SHEET (BF)TC-600HS-1.4 (14.5X) | 1 |
| MP83 | 8930059122 | THERMAL SHEET (AJ)-2 TC400TXS (7X7) | 1 |
| MP84 | 8930053461 | THERMAL SHEET (Q)-1 TC500HS-1.4 | 1 |
| MP85 | 8930053461 | THERMAL SHEET (Q)-1 TC500HS-1.4 | 1 |
| MP86 | 8930058840 | SHIELD SPONGE (T) | 1 |
| MP87 | 8930067290 | SHIELD SPONGE (AR) | 1 |
| MP88 | 8930063000 | THERMAL SHEET (AQ) TC-700HS-1.4 | 1 |
| MP89 | 8950003640 | COATING CLIP CS-2 (UL) | 1 |
| MP90 | 8930053461 | THERMAL SHEET (Q)-1 TC500HS-1.4 | 1 |
| MP91 | 8930058840 | SHIELD SPONGE (T) | 1 |
| MP92 | 8930015640 | CODE HOLDER SX713 | 1 |
| MP93 | 8510019940 | 3183 BPF SHIELD PLATE | 1 |
| MP94 | 8930043800 | DOUBLE SIDE TAPE (S) | 1 |
| MP96** | 8930083590 | AL SHEET (AR) | 1 |
| MP97 | 8930081440 | 3183 SP S-DAMPER | 1 |
| MP98 | 8930082600 | SHIELD SPONGE (CT) | 1 |
| MP99 | 8930081500 | 3183 SP B-SPONGE | 2 |
| MP100 | 8930082150 | SPONGE (KZ) | 1 |
| MP101 | 8950003640 | COATING CLIP CS-2 (UL) | 1 |
| MP102 | 8950003640 | COATING CLIP CS-2 (UL) | 1 |
| MP103 | 8950003640 | COATING CLIP CS-2 (UL) | 1 |
| MP104 | 8930078840 | SHIELD SPONGE (CM) | 1 |
| MP105* | 8930054470 | FERRITE SHEET (I) 20X50X1 | 1 |
| MP106 | 8950003640 | COATING CLIP CS-2 (UL) | 1 |
| MP107 | 8930081420 | SPONGE (KX) | 1 |
| MP108** | 8930081420 | SPONGE (KX) | 1 |
| MP109 | 8930081420 | SPONGE (KX) | 1 |
| MP110 | 8930081420 | SPONGE (KX) | 1 |
| MP111 | 8930081420 | SPONGE (KX) | 1 |
| MP114 | 8930082150 | SPONGE (KZ) | 1 |
| MP115** | 8930081420 | SPONGE (KX) | 1 |
| MP116** | 8930028840 | SPONGE (DF) | 1 |
| MP117 | 8930070510 | THERMAL SHEET (BF)TC-600HS-1.4 (14.5X) | 1 |
| MP118 | 8930070510 | THERMAL SHEET (BF)TC-600HS-1.4 (14.5X) | 1 |
| MP120 | 8930063000 | THERMAL SHEET (AQ) TC-700HS-1.4 | 1 |
| MP121 | 8930058170 | SHIELD SPONGE (O) | 1 |
| MP122 | 8930058170 | SHIELD SPONGE (O) | 1 |
| MP123 | 8930058170 | SHIELD SPONGE (O) | 1 |
| MP124 | 8930076540 | SHIELD SPONGE (CK) | 1 |
| MP125 | 8930058170 | SHIELD SPONGE (O) | 1 |
| MP126 | 8930058840 | SHIELD SPONGE (T) | 1 |
| MP127** | 8930078840 | SHIELD SPONGE (CM) | 1 |

*: Refer to "BOARD LAYOUTS" for the location.

** : Refer to "GENERAL WIRING" for the connection

Screw abbreviations A, B0, BT: Self-tapping PH: Pan head ZK: Black NI-ZU: Nickel-Zinc SUS: Stainless

[MAIN UNIT]

| REF NO. | ORDER NO. | DESCRIPTION | QTY. |
|---------|------------|----------------------------|------|
| J1* | 6510027480 | S12B-ZR-SM4A-TF (LF) (SN) | 1 |
| J2* | 6510027490 | S11B-ZR-SM4A-TF (LF) (SN) | 1 |
| J3* | 6510020081 | 52808-2071 (2090) | 1 |
| J5* | 6510022472 | 40FLT-SM2-TB (LF) (SN) (M) | 1 |
| J6* | 6510025270 | S6B-PH-SM4-TB (LF) (SN) | 1 |
| J7* | 6510023861 | S9B-ZR-SM4A-TF (LF) (SN) | 1 |
| J8* | 6510022472 | 40FLT-SM2-TB (LF) (SN) (M) | 1 |
| J9* | 6510024111 | 52793-2070 (2090) | 1 |
| J10* | 6510027500 | S11B-PH-SM4-TB (LF) (SN) | 1 |
| J11* | 6510024111 | 52793-2070 (2090) | 1 |
| J12* | 6510027460 | 52793-3070 | 1 |
| J13* | 6510019371 | B3B-ZR-SM4-TF (LF) (SN) | 1 |
| J1122* | 6510019971 | 52808-1071 | 1 |
| J3201* | 6510018450 | TMP-S01X-B1 | 1 |
| J3202* | 6510018450 | TMP-S01X-B1 | 1 |
| J3203* | 6510018301 | S2B-ZR-SM4A-TF (LF) (SN) | 1 |
| J3204* | 6510023801 | S4B-ZR-SM4A-TF (LF) (SN) | 1 |
| J3621* | 6510018450 | TMP-S01X-B1 | 1 |
| J3671* | 6510018450 | TMP-S01X-B1 | 1 |
| J3911* | 6510018450 | TMP-S01X-B1 | 1 |
| J6001* | 6510025540 | AXK724127G | 1 |
| J6002* | 6510023861 | S9B-ZR-SM4A-TF (LF) (SN) | 1 |
| MP2001 | 8510019780 | 3183 A-MAIN CASE | 1 |
| MP2002 | 8510019790 | 3183 B-MAIN CASE | 1 |
| MP2003 | 8930081481 | INSULATION SHEET (IA)-1 | 1 |
| MP4001* | 8510019900 | 3183 A-MAIN PLATE Y1200 | 1 |
| MP5001* | 8930083230 | 3183 C-MAIN PLATE Y1240 | 1 |
| MP5005* | 8930065741 | 2590 D-EARTH SPRING-1 | 1 |

[PLL UNIT]

| REF NO. | ORDER NO. | DESCRIPTION | QTY. |
|---------|------------|--------------------------|------|
| MP661* | 8510019800 | 3183 FILTER CASE Y1191 | 1 |
| MP671* | 8930065741 | 2590 D-EARTH SPRING-1 | 1 |
| MP701* | 8510013140 | 2241 DC-A CASE | 1 |
| MP702* | 8510005351 | 637 VCO SHIELD PLATE-1 | 1 |
| MP703* | 8930078840 | SHIELD SPONGE (CM) | 1 |
| MP1051* | 8510019110 | 3073 PLL CASE Y1140 | 1 |
| MP1054* | 8930050240 | 1632 PLL SPLING Y472 | 1 |
| MP1060* | 8930058170 | SHIELD SPONGE (O) | 1 |
| MP1101* | 8510012310 | 2157 DBM CASE | 1 |
| MP1171* | 8930063970 | SHIELD SPONGE (AM) | 1 |
| MP1172* | 8510019880 | 3183 PLL CASE Y1197 | 1 |
| MP1201* | 8510018870 | 2355 C-SHIELD CASE Y1088 | 1 |
| MP1202* | 8930050240 | 1632 PLL SPLING Y472 | 1 |
| MP1231* | 8510018870 | 2355 C-SHIELD CASE Y1088 | 1 |
| MP1232* | 8930057931 | SHIELD SPONGE (M)-1 | 1 |
| MP1501* | 8510013140 | 2241 DC-A CASE | 1 |
| MP1502* | 8510005351 | 637 VCO SHIELD PLATE-1 | 1 |
| MP1503* | 8930063970 | SHIELD SPONGE (AM) | 1 |
| MP1504* | 8930078840 | SHIELD SPONGE (CM) | 1 |
| MP1881* | 8930065741 | 2590 D-EARTH SPRING-1 | 1 |
| MP2001* | 8510013140 | 2241 DC-A CASE | 1 |
| MP2002* | 8510005351 | 637 VCO SHIELD PLATE-1 | 1 |
| MP2003* | 8930078840 | SHIELD SPONGE (CM) | 1 |
| MP2004* | 8930058510 | INSULATION SHEET HC | 1 |
| MP2005* | 8930058510 | INSULATION SHEET HC | 1 |
| MP2006* | 8930076750 | RUBBER SHEET (CC) | 1 |
| MP2007* | 8930043300 | RUBBER SHEET (AG) | 1 |
| MP2008* | 8930053940 | RUBBER SHEET (AV) | 1 |

[CONNECT UNIT]

| REF NO. | ORDER NO. | DESCRIPTION | QTY. |
|---------|------------|----------------------------|------------|
| J101* | 6510023720 | LG Y6501-0600C | 1 |
| J102* | 6510023720 | LG Y6501-0600C | 1 |
| J151* | 6510018961 | B2B-PH-SM4-TB (LF) (SN) | 1 |
| J611* | 6510023720 | LG Y6501-0600C | 1 |
| J751* | 6510026540 | UBB-4R-D14T-4D (LF) (SN) | 1 |
| J851* | 6510027740 | HSJ2462-010010 | 1 |
| J1001* | 6510022472 | 40FLT-SM2-TB (LF) (SN) (M) | 1 |
| J1002* | 6510027040 | B12B-PH-SM4-TB (LF) (SN) | 1 |
| J1003* | 6510021261 | B9B-ZR-SM4-TF (LF) (SN) | 1 |
| J1101* | 6450001641 | TCS5044-0141177 | 1 |
| J1201* | 6450001841 | TCS7568-4320177 | 1 |
| J1301* | 6510023900 | LGR4619-7000 | 1 |
| J1401* | 6450001130 | JPJ2042-01-110 | 1 |
| MP751* | 8930083220 | 3182 JACK SPRING | [EUR] 1 |
| | 8930083220 | 3182 JACK SPRING | [EUR-01] 1 |
| | 8930083220 | 3182 JACK SPRING | [ITR] 1 |
| | 8930083220 | 3182 JACK SPRING | [ESP] 1 |
| | 8930083220 | 3182 JACK SPRING | [FRA] 1 |

[RF-A UNIT]

| REF NO. | ORDER NO. | DESCRIPTION | QTY. |
|---------|------------|-------------------------|------|
| J301* | 6510020081 | 52808-2071 (2090) | 1 |
| J451* | 6510019991 | 52808-2271 (2291) | 1 |
| J501* | 6510028210 | SJ050010 (TMP-J01X-V6) | 1 |
| J701* | 6510028210 | SJ050010 (TMP-J01X-V6) | 1 |
| J741* | 6510028210 | SJ050010 (TMP-J01X-V6) | 1 |
| J801* | 6510028210 | SJ050010 (TMP-J01X-V6) | 1 |
| J931* | 6510027650 | AXN480C330P | 1 |
| J951* | 6510027660 | AXN380C038P | 1 |
| J1011* | 6510028210 | SJ050010 (TMP-J01X-V6) | 1 |
| J1141* | 6510028210 | SJ050010 (TMP-J01X-V6) | 1 |
| J1301* | 6510014961 | B2B-ZR-SM4-TF (LF) (SN) | 1 |
| EP911* | 6910002161 | CASE-BM7H-LF | 1 |
| EP913* | 6910002161 | CASE-BM7H-LF | 1 |
| MP651* | 8510012400 | 2177 D/A CASE Y454 | 1 |
| MP701* | 8930024170 | EARTH SPRING (G) Y072 | 1 |
| MP702* | 8930081180 | 3183 RF-A SPRING Y1199 | 1 |
| MP911* | 8930065741 | 2590 D-EARTH SPRING-1 | 1 |
| MP1071* | 6910001130 | 10MSHIELD CASE (P10L-A) | 1 |
| MP1101* | 8510012400 | 2177 D/A CASE Y454 | 1 |
| MP1121* | 8510015900 | 2590 M-2LO CASE Y697 | 1 |
| MP1201* | 8510012400 | 2177 D/A CASE Y454 | 1 |
| MP1701* | 8510010760 | 1876 DDS CASE | 1 |
| MP1702* | 8510010770 | 1876 DDS COVER | 1 |

[PLL UNIT]

| REF NO. | ORDER NO. | DESCRIPTION | QTY. |
|---------|------------|----------------------------|------|
| J1* | 6510022472 | 40FLT-SM2-TB (LF) (SN) (M) | 1 |
| J81* | 6510019991 | 52808-2271 (2291) | 1 |
| J501* | 6510028210 | SJ050010 (TMP-J01X-V6) | 1 |
| J571* | 6510028210 | SJ050010 (TMP-J01X-V6) | 1 |
| J601* | 6510028210 | SJ050010 (TMP-J01X-V6) | 1 |
| J701* | 6510028210 | SJ050010 (TMP-J01X-V6) | 1 |
| J851* | 6510028210 | SJ050010 (TMP-J01X-V6) | 1 |
| J852* | 6510028210 | SJ050010 (TMP-J01X-V6) | 1 |
| J1171* | 6510028210 | SJ050010 (TMP-J01X-V6) | 1 |
| J1281* | 6510028210 | SJ050010 (TMP-J01X-V6) | 1 |
| J1301* | 6510028210 | SJ050010 (TMP-J01X-V6) | 1 |
| J1701* | 6510028210 | SJ050010 (TMP-J01X-V6) | 1 |
| J1801* | 6510028210 | SJ050010 (TMP-J01X-V6) | 1 |
| J1901* | 6510028210 | SJ050010 (TMP-J01X-V6) | 1 |
| W351 | 7030011280 | J1/4ZC | 1 |
| W361 | 7030011280 | J1/4ZC | 1 |
| W1051 | 7030011280 | J1/4ZC | 1 |
| W1061 | 7030011280 | J1/4ZC | 1 |
| EP151* | 6910002161 | CASE-BM7H-LF | 1 |
| EP354* | 6910002161 | CASE-BM7H-LF | 1 |
| EP1054* | 6910002161 | CASE-BM7H-LF | 1 |
| MP291* | 8510019980 | 3183 B-VCO CASE Y1205 | 1 |
| MP292 | 8510019990 | 3183 B-VCO COVER Y1206 | 1 |
| MP293 | 8810008490 | SETSCREWH M2.6X 8 NI | 2 |
| MP351* | 8510019110 | 3073 PLL CASE Y1140 | 1 |
| MP352* | 8930025070 | SPONGE (CW) | 1 |
| MP353* | 8930001181 | EARTH SPRING-1 (FX-22) | 1 |
| MP411* | 8510006810 | DC-DC CASE FX859 | 1 |

[RF-B UNIT]

| REF NO. | ORDER NO. | DESCRIPTION | QTY. |
|---------|------------|-------------------------|---------|
| J1* | 6510020001 | 52808-3071 (3090) | 1 |
| J52* | 6510019981 | 52808-1671 (1690) | 1 |
| J101* | 6510014961 | B2B-ZR-SM4-TF (LF) (SN) | 1 |
| J201* | 6510028210 | SJ050010 (TMP-J01X-V6) | 1 |
| J381* | 6510028210 | SJ050010 (TMP-J01X-V6) | 1 |
| J501* | 6510019371 | B3B-ZR-SM4-TF (LF) (SN) | 1 |
| J601* | 6510028210 | SJ050010 (TMP-J01X-V6) | 1 |
| J1351* | 6510028210 | SJ050010 (TMP-J01X-V6) | 1 |
| J1491* | 6510028210 | SJ050010 (TMP-J01X-V6) | 1 |
| J1751* | 6510028210 | SJ050010 (TMP-J01X-V6) | 1 |
| J2351* | 6510028210 | SJ050010 (TMP-J01X-V6) | 1 |
| J2491* | 6510028210 | SJ050010 (TMP-J01X-V6) | 1 |
| EP731 | 6910002161 | CASE-BM7H-LF | 1 |
| EP732 | 6910002161 | CASE-BM7H-LF | 1 |
| EP1051 | 6910002161 | CASE-BM7H-LF | 1 |
| MP211* | 8510015900 | 2590 M-2LO CASE Y697 | 1 |
| MP212* | 8930057931 | SHIELD SPONGE (M)-1 | 1 |
| MP213* | 8930070580 | SHIELD SPONGE (BA) | 1 |
| MP214* | 8510002280 | VCO SHIELD (A) FX 15 | [USA] 1 |
| | 8510002280 | VCO SHIELD (A) FX 15 | [TPE] 1 |
| | 8510002280 | VCO SHIELD (A) FX 15 | [KOR] 1 |
| | 8510002280 | VCO SHIELD (A) FX 15 | [CHN] 1 |
| | 8510002280 | VCO SHIELD (A) FX 15 | [EXP] 1 |
| MP251 | 8510012400 | 2177 D/A CASE Y454 | 1 |

*: Refer to "BOARD LAYOUTS" for the location.

** : Refer to "GENERAL WIRING" for the connection

Screw abbreviations A, B0, BT: Self-tapping PH: Pan head ZK: Black NI-ZU: Nickel-Zinc SUS: Stainless

[RF-B UNIT]

| REF NO. | ORDER NO. | DESCRIPTION | QTY. |
|---------|------------|-----------------------------|---------|
| MP252* | 8930065741 | 2590 D-EARTH SPRING-1 | [USA] 1 |
| | 8930065741 | 2590 D-EARTH SPRING-1 | [TPE] 1 |
| | 8930065741 | 2590 D-EARTH SPRING-1 | [KOR] 1 |
| | 8930065741 | 2590 D-EARTH SPRING-1 | [CHN] 1 |
| | 8930065741 | 2590 D-EARTH SPRING-1 | [EXP] 1 |
| MP255 | 8510012400 | 2177 D/A CASE Y454 | 1 |
| MP256 | 8930083170 | 3183 C-EARTH SPRING | 1 |
| MP257 | 8930083170 | 3183 C-EARTH SPRING | 1 |
| MP381* | 8930057870 | 2429 EARTH SPRING | 1 |
| MP501* | 8930081340 | FERRITE SHEET (AE) | 1 |
| MP601* | 8510002280 | VCO SHIELD (A) FX 15 | 1 |
| MP611* | 8510015900 | 2590 M-2LO CASE Y697 | 1 |
| MP651* | 8510012400 | 2177 D/A CASE Y454 | 1 |
| MP655* | 8510012400 | 2177 D/A CASE Y454 | 1 |
| MP701* | 6910001130 | 10MSHIELD CASE (P10L-A) | 1 |
| MP1051 | 8510010460 | 1691 MAIN SHIELD PLATE Y295 | 1 |
| MP1052* | 8510019870 | 3183 MIXER CASE Y1198 | 1 |
| MP1201* | 8510010460 | 1691 MAIN SHIELD PLATE Y295 | 1 |
| MP1476* | 8510002280 | VCO SHIELD (A) FX 15 | 1 |
| MP1501* | 8510010460 | 1691 MAIN SHIELD PLATE Y295 | 1 |
| MP1551* | 8510013390 | 2355 MIX CASE | 1 |
| MP1611* | 8510012400 | 2177 D/A CASE Y454 | 1 |
| MP1612* | 8930065741 | 2590 D-EARTH SPRING-1 | 1 |
| MP1671* | 8510018870 | 2355 C-SHIELD CASE Y1088 | 1 |
| MP2051* | 8510002020 | MIXSHIELD CASE SX155 | 1 |
| MP2052* | 8930059380 | SHIELD SPONGE (X) | 1 |
| MP2495* | 8510010460 | 1691 MAIN SHIELD PLATE Y295 | 1 |
| MP2496* | 8930062740 | 2590 M-SPRING | 1 |
| MP2551* | 8510012400 | 2177 D/A CASE Y454 | 1 |
| MP2582* | 8510020260 | 3183 FILTER A-CASE Y1241 | 1 |
| MP2583* | 8930031700 | INSULATION DC | 1 |
| MP2584* | 8930068000 | SHIELD SPONGE (AT) | 1 |
| MP2601* | 8510019800 | 3183 FILTER CASE Y1191 | 1 |
| MP2701* | 8510012400 | 2177 D/A CASE Y454 | 1 |
| MP2801* | 8510018870 | 2355 C-SHIELD CASE Y1088 | 1 |

[PA-A UNIT]

| REF NO. | ORDER NO. | DESCRIPTION | QTY. |
|---------|------------|--------------------------|------------|
| J201* | 6510028210 | SJ050010 (TMP-J01X-V6) | 1 |
| J351* | 6510018921 | B8B-PH-SM4-TB (LF) (SN) | 1 |
| J401* | 6510020081 | 52808-2071 (2090) | 1 |
| J402* | 6510020051 | B11B-PH-SM4-TB (LF) (SN) | 1 |
| J403* | 6510018921 | B8B-PH-SM4-TB (LF) (SN) | 1 |
| J451* | 6510014961 | B2B-ZR-SM4-TF (LF) (SN) | 1 |
| J462* | 6510018971 | B4B-PH-SM4-TB (LF) (SN) | 1 |
| J1201* | 6510028210 | SJ050010 (TMP-J01X-V6) | 1 |
| F1* | 5220000400 | FHA010-01F | 1 |
| F3* | 5210000940 | 1205 | 1 |
| W1 | 9062700030 | 77/98/040/X98/X98 | [EUR] 1 |
| | 9062700030 | 77/98/040/X98/X98 | [EUR-01] 1 |
| | 9062700030 | 77/98/040/X98/X98 | [ITR] 1 |
| | 9062700030 | 77/98/040/X98/X98 | [ESP] 1 |
| | 9062700030 | 77/98/040/X98/X98 | [FRA] 1 |
| W2 | 9062700030 | 77/98/040/X98/X98 | [EUR] 1 |
| | 9062700030 | 77/98/040/X98/X98 | [EUR-01] 1 |
| | 9062700030 | 77/98/040/X98/X98 | [ITR] 1 |
| | 9062700030 | 77/98/040/X98/X98 | [ESP] 1 |
| | 9062700030 | 77/98/040/X98/X98 | [FRA] 1 |
| W3 | 9062700030 | 77/98/040/X98/X98 | [EUR] 1 |
| | 9062700030 | 77/98/040/X98/X98 | [EUR-01] 1 |
| | 9062700030 | 77/98/040/X98/X98 | [ITR] 1 |
| | 9062700030 | 77/98/040/X98/X98 | [ESP] 1 |
| | 9062700030 | 77/98/040/X98/X98 | [FRA] 1 |
| W4 | 9062700030 | 77/98/040/X98/X98 | [EUR] 1 |
| | 9062700030 | 77/98/040/X98/X98 | [EUR-01] 1 |
| | 9062700030 | 77/98/040/X98/X98 | [ITR] 1 |
| | 9062700030 | 77/98/040/X98/X98 | [ESP] 1 |
| | 9062700030 | 77/98/040/X98/X98 | [FRA] 1 |
| EP1* | 6910020710 | OT-047 M3 | 1 |
| EP2* | 6910020710 | OT-047 M3 | 1 |
| EP3* | 6910020710 | OT-047 M3 | 1 |
| EP4* | 6910020710 | OT-047 M3 | 1 |
| MP1* | 8930075200 | HIMELON SHEET (CY) | [EUR] 1 |
| | 8930075200 | HIMELON SHEET (CY) | [EUR-01] 1 |
| | 8930075200 | HIMELON SHEET (CY) | [ITR] 1 |
| | 8930075200 | HIMELON SHEET (CY) | [ESP] 1 |
| | 8930075200 | HIMELON SHEET (CY) | [FRA] 1 |
| MP2* | 8930075200 | HIMELON SHEET (CY) | [EUR] 1 |
| | 8930075200 | HIMELON SHEET (CY) | [EUR-01] 1 |
| | 8930075200 | HIMELON SHEET (CY) | [ITR] 1 |
| | 8930075200 | HIMELON SHEET (CY) | [ESP] 1 |
| | 8930075200 | HIMELON SHEET (CY) | [FRA] 1 |

[PA-B UNIT]

| REF NO. | ORDER NO. | DESCRIPTION | QTY. |
|---------|------------|--------------------------------|------|
| J101* | 6510028210 | SJ050010 (TMP-J01X-V6) | 1 |
| J471* | 6510028210 | SJ050010 (TMP-J01X-V6) | 1 |
| J761* | 6510028210 | SJ050010 (TMP-J01X-V6) | 1 |
| J901* | 6510019981 | 52808-1671 (1690) | 1 |
| J931* | 6510018921 | B8B-PH-SM4-TB (LF) (SN) | 1 |
| W431* | 9045201001 | 74/98/040/X98/X98 | 1 |
| W801* | 7030012280 | RD25T0R0 | 1 |
| EP431* | 6910000610 | FSRH050100RN000B (FSOH050RN01) | 1 |
| EP432* | 6910000610 | FSRH050100RN000B (FSOH050RN01) | 1 |
| EP921* | 6910020710 | OT-047 M3 | 1 |
| EP922* | 6910020710 | OT-047 M3 | 1 |
| MP171* | 8930065741 | 2590 D-EARTH SPRING-1 | 1 |
| MP172* | 8510015100 | 2577 SHIELD CASE Y659 | 1 |
| MP173* | 8930054900 | 2356 EARTH SPRING | 1 |
| MP252* | 8930065741 | 2590 D-EARTH SPRING-1 | 1 |
| MP253* | 8930065741 | 2590 D-EARTH SPRING-1 | 1 |
| MP301* | 8860001490 | 3183 RUG Y1188 | 1 |
| MP401* | 8860001490 | 3183 RUG Y1188 | 1 |
| MP402* | 8860001490 | 3183 RUG Y1188 | 1 |
| MP471* | 8930065741 | 2590 D-EARTH SPRING-1 | 1 |
| MP473* | 8510019830 | 3183 PA-B CASE | 1 |
| MP701* | 8860001490 | 3183 RUG Y1188 | 1 |
| MP702* | 8860001490 | 3183 RUG Y1188 | 1 |
| MP731* | 8930073550 | 2355 PLATE Y1053 | 1 |
| MP771* | 8930065741 | 2590 D-EARTH SPRING-1 | 1 |
| MP772* | 8930080960 | 3183 PA-B SPRING | 1 |
| MP803* | 8930065741 | 2590 D-EARTH SPRING-1 | 1 |

[CTRL UNIT]

| REF NO. | ORDER NO. | DESCRIPTION | QTY. |
|---------|------------|----------------------------|------|
| J1* | 6510028210 | SJ050010 (TMP-J01X-V6) | 1 |
| J301* | 6510028210 | SJ050010 (TMP-J01X-V6) | 1 |
| J351* | 6510028210 | SJ050010 (TMP-J01X-V6) | 1 |
| J901* | 6510020081 | 52808-2071 (2090) | 1 |
| J1001* | 6510022031 | B10B-ZR-SM4-TF (LF) (SN) | 1 |
| J1101* | 6510021722 | 30FLT-SM2-TB (LF) (SN) (M) | 1 |
| J1201* | 6510018971 | B4B-PH-SM4-TB (LF) (SN) | 1 |
| J2101* | 6510028210 | SJ050010 (TMP-J01X-V6) | 1 |
| W2001* | 7030012280 | RD25T0R0 | 1 |
| W2002* | 7030012280 | RD25T0R0 | 1 |
| MP401* | 8930065741 | 2590 D-EARTH SPRING-1 | 1 |
| MP601* | 8510002020 | MIXSHIELD CASE SX155 | 1 |
| MP701* | 8510020170 | 2355 A-SHIELD CASE Y1226 | 1 |
| MP702* | 8510002280 | VCO SHIELD (A) FX 15 | 1 |
| MP2101* | 8930057870 | 2429 EARTH SPRING | 1 |

[NETWORK UNIT]

| REF NO. | ORDER NO. | DESCRIPTION | QTY. |
|---------|------------|----------------------------|------|
| J1* | 6510028210 | SJ050010 (TMP-J01X-V6) | 1 |
| J91* | 6510028210 | SJ050010 (TMP-J01X-V6) | 1 |
| J201* | 6510021722 | 30FLT-SM2-TB (LF) (SN) (M) | 1 |
| MF1 | 2710000800 | MP24ZA (STEPPING MOTOR) | 1 |
| MF2 | 2710000800 | MP24ZA (STEPPING MOTOR) | 1 |
| MP1 | 8930041091 | 1876 A-ANGLE-1 | 1 |
| MP2 | 8810008661 | PHBT M3 X 8 NI-ZC3 | 1 |
| MP3 | 8810009061 | FLAT M3 X 6 ZK3 | 4 |
| MP4 | 8930041111 | 1876 B-ANGLE-1 | 1 |
| MP5 | 8810009061 | FLAT M3 X 6 ZK3 | 2 |
| MP6 | 8820000881 | 1528 SCREW-1 | 4 |
| MP7 | 8930030112 | 1414 PLATE-2 | 2 |
| MP8 | 8950003200 | UJ6-5 (UNIVERSAL COUPLING) | 2 |
| MP9* | 8930051580 | 2178 TUNER PLATE Y503 | 1 |

*: Refer to "BOARD LAYOUTS" for the location.

** : Refer to "GENERAL WIRING" for the connection

Screw abbreviations A, B0, BT: Self-tapping PH: Pan head ZK: Black NI-ZU: Nickel-Zinc SUS: Stainless

[FRONT UNIT]

| REF NO. | ORDER NO. | DESCRIPTION | QTY. |
|---------|------------|------------------------------|------|
| W1** | 8900019300 | OPC-2032 (P1N6L50) | 1 |
| W2** | 8900018000 | OPC-1344A (P1N10L70) | 1 |
| W3** | 8900018000 | OPC-1344A (P1N10L70) | 1 |
| W4** | 8900018000 | OPC-1344A (P1N10L70) | 1 |
| W5** | 8900019300 | OPC-2032 (P1N6L50) | 1 |
| W6** | 8900019300 | OPC-2032 (P1N6L50) | 1 |
| W7** | 8900019300 | OPC-2032 (P1N6L50) | 1 |
| EP1 | 0880002780 | EX-3210 #01 (MAIN DIAL) | 1 |
| EP2 | 6910015650 | S-G2218-3#01 (MOUNT PLATE) 0 | 1 |
| EP3 | 6910015650 | S-G2218-3#01 (MOUNT PLATE) 0 | 1 |
| MP1 | 8210025750 | 3183 FRONT PANELASSEMBLY | 1 |
| MP2 | 8010021650 | 3183 SUB CHASSISASSEMBLY | 1 |
| MP4 | 8310074220 | 3183 WINDOW PLATE | 1 |
| MP5 | 8930079310 | 3183 KEYBOARD (SHJ) | 1 |
| MP6 | 8610014060 | KNOB K-295 | 1 |
| MP7 | 8610014050 | KNOB K-294 | 1 |
| MP9 | 8610014090 | KNOB K-293 | 1 |
| MP10 | 8610014020 | KNOB K-290 | 1 |
| MP11 | 8610014030 | KNOB K-291 | 1 |
| MP12 | 8610014040 | KNOB K-292 | 1 |
| MP13 | 8610014110 | KNOB N-379 (A) | 3 |
| MP14 | 8610014080 | KNOB K-297 | 1 |
| MP15 | 8610014070 | KNOB K-296 | 1 |
| MP16 | 8610014100 | KNOB N-378 (A) | 2 |
| MP18 | 8610013922 | KNOB N-268ASSEMBLY (A)-2 | 1 |
| MP20 | 8930076900 | 3073 D-RUBBER (TOP) | 1 |
| MP27 | 8930076910 | 3073 BRAKE BUTTON | 1 |
| MP28 | 8930077360 | 3073 BRAKE PAD | 2 |
| MP29 | 8610011830 | KNOB N301 | 3 |
| MP30 | 8610013290 | KNOB N-361 | 2 |
| MP31 | 8610014140 | KNOB N-380ASSEMBLY (A) | 1 |
| MP32 | 8810008761 | PHBT M2 X 8 NI-ZC3 | 17 |
| MP34 | 8810008661 | PHBT M3 X 8 NI-ZC3 | 10 |
| MP35 | 8930081070 | 3183 WINDOW SHEET | 1 |
| MP38 | 8930082280 | SPONGE (LB) | 1 |
| MP39 | 8930071490 | 2242 F-SPONGE | 1 |
| MP40 | 8930071490 | 2242 F-SPONGE | 1 |
| MP41 | 8930082320 | SPONGE (LC) | 1 |
| MP42 | 8930082320 | SPONGE (LC) | 1 |
| MP43 | 8950003640 | COATING CLIP CS-2 (UL) | 1 |
| MP44** | 8930025070 | SPONGE (CW) | 1 |

[DISPLAY UNIT]

| REF NO. | ORDER NO. | DESCRIPTION | QTY. |
|---------|------------|------------------------------|------|
| R722* | 7210003370 | R0904N-B10KL-20KQ-R1080<SKD> | 1 |
| R724* | 7210003370 | R0904N-B10KL-20KQ-R1080<SKD> | 1 |
| R726* | 7210003370 | R0904N-B10KL-20KQ-R1080<SKD> | 1 |
| R728* | 7210003370 | R0904N-B10KL-20KQ-R1080<SKD> | 1 |
| J1* | 6510020081 | 52808-2071 (2090) | 1 |
| J21* | 6510019971 | 52808-1071 | 1 |
| J31* | 6510019971 | 52808-1071 | 1 |
| J32* | 6510015541 | B4B-ZR-SM4-TF (LF) (SN) | 1 |
| J51* | 6510019971 | 52808-1071 | 1 |
| J61* | 6510027290 | 52808-0671 | 1 |
| J71* | 6510027290 | 52808-0671 | 1 |
| J81* | 6510027290 | 52808-0671 | 1 |
| J91* | 6510027290 | 52808-0671 | 1 |
| J101* | 6510018971 | B4B-PH-SM4-TB (LF) (SN) | 1 |
| J111 | 6510003401 | B04B-EH-S (LF) (SN) | 1 |
| J281* | 6510019971 | 52808-1071 | 1 |
| J451* | 6510027390 | 40FHY-RSM1-GAN-TF (LF) (SN) | 1 |
| J452* | 6510027390 | 40FHY-RSM1-GAN-TF (LF) (SN) | 1 |
| J453* | 6510027400 | 50FHY-RSM1-GAN-TF (LF) (SN) | 1 |
| J454* | 6510027400 | 50FHY-RSM1-GAN-TF (LF) (SN) | 1 |
| J455* | 6510027400 | 50FHY-RSM1-GAN-TF (LF) (SN) | 1 |
| DS111 | 5080000421 | MBS 3 UA1W 70N ASSY | 1 |
| DS451 | 5030003350 | TSC2G0369-E <SKD> | 1 |
| S601* | 2260002740 | LS8J2M-T | 1 |
| S602* | 2260002740 | LS8J2M-T | 1 |
| S603* | 2260002740 | LS8J2M-T | 1 |
| S604* | 2260002740 | LS8J2M-T | 1 |
| S611* | 2260002740 | LS8J2M-T | 1 |
| S612* | 2260002740 | LS8J2M-T | 1 |
| S613* | 2260002740 | LS8J2M-T | 1 |
| S614* | 2260002740 | LS8J2M-T | 1 |
| S621* | 2260002740 | LS8J2M-T | 1 |
| S622* | 2260002740 | LS8J2M-T | 1 |
| S623* | 2260002740 | LS8J2M-T | 1 |
| S624* | 2260002740 | LS8J2M-T | 1 |
| S631* | 2260002740 | LS8J2M-T | 1 |
| S632* | 2260002740 | LS8J2M-T | 1 |
| S633* | 2260002740 | LS8J2M-T | 1 |
| S634* | 2260002740 | LS8J2M-T | 1 |
| S641* | 2260002740 | LS8J2M-T | 1 |

[DISPLAY UNIT]

| REF NO. | ORDER NO. | DESCRIPTION | QTY. |
|---------|------------|---------------------------------------|------|
| S642* | 2260002740 | LS8J2M-T | 1 |
| S643* | 2260002740 | LS8J2M-T | 1 |
| S644* | 2260002740 | LS8J2M-T | 1 |
| S651* | 2260002740 | LS8J2M-T | 1 |
| S652* | 2260002740 | LS8J2M-T | 1 |
| S653* | 2260002740 | LS8J2M-T | 1 |
| S654* | 2260002740 | LS8J2M-T | 1 |
| S661* | 2260002740 | LS8J2M-T | 1 |
| S662* | 2260002740 | LS8J2M-T | 1 |
| S663* | 2260002740 | LS8J2M-T | 1 |
| S664* | 2260002740 | LS8J2M-T | 1 |
| S671* | 2260002740 | LS8J2M-T | 1 |
| S673* | 2260002740 | LS8J2M-T | 1 |
| S681* | 2260002740 | LS8J2M-T | 1 |
| S682* | 2260002740 | LS8J2M-T | 1 |
| S683* | 2260002740 | LS8J2M-T | 1 |
| S691* | 2260002740 | LS8J2M-T | 1 |
| S692* | 2260002740 | LS8J2M-T | 1 |
| S693* | 2260002740 | LS8J2M-T | 1 |
| S694* | 2260002740 | LS8J2M-T | 1 |
| S695* | 2260002740 | LS8J2M-T | 1 |
| S701* | 2260002740 | LS8J2M-T | 1 |
| S702* | 2260002740 | LS8J2M-T | 1 |
| S703* | 2260002740 | LS8J2M-T | 1 |
| S704* | 2260002740 | LS8J2M-T | 1 |
| S711* | 2260002740 | LS8J2M-T | 1 |
| S712* | 2260002740 | LS8J2M-T | 1 |
| S713* | 2260002740 | LS8J2M-T | 1 |
| S714* | 2260002740 | LS8J2M-T | 1 |
| S731* | 2260002740 | LS8J2M-T | 1 |
| S732* | 2260002740 | LS8J2M-T | 1 |
| S733* | 2260002740 | LS8J2M-T | 1 |
| S734* | 2260002740 | LS8J2M-T | 1 |
| S735* | 2260002740 | LS8J2M-T | 1 |
| S736* | 2260002740 | LS8J2M-T | 1 |
| T113* | 5910001150 | 6373-T170 (CEPH145B) | 1 |
| MP111* | 8510019770 | 3183 CFL CASE | 1 |
| MP112* | 8930081100 | THERMAL SHEET (BX)TC1000HS1.4 (6.8X13 | 1 |
| MP451 | 8930079340 | 3183 LCD HOLDER | 1 |
| MP452 | 8930083250 | 3183 LCD A-SPONGE | 1 |
| MP453 | 8210025710 | 3183 REFLECTOR | 1 |
| MP454 | 8930079370 | 3183 WHITE SHEET | 1 |
| MP455 | 8930079730 | 3183 LCD FILTER | 1 |
| MP456 | 8930074720 | SPONGE (JX) | 4 |

[VR-A UNIT]

| REF NO. | ORDER NO. | DESCRIPTION | QTY. |
|---------|------------|-----------------------|------|
| J2* | 6510027290 | 52808-0671 | 1 |
| S1 | 2250000410 | TP90D96E20-30F-2178-1 | 1 |

[VR-B UNIT]

| REF NO. | ORDER NO. | DESCRIPTION | QTY. |
|---------|------------|-------------|------|
| J2* | 6510019971 | 52808-1071 | 1 |

[PBT UNIT]

| REF NO. | ORDER NO. | DESCRIPTION | QTY. |
|---------|------------|-----------------------|------|
| J1* | 6510027290 | 52808-0671 | 1 |
| S1 | 2250000410 | TP90D96E20-30F-2178-1 | 1 |

[M-CH UNIT]

| REF NO. | ORDER NO. | DESCRIPTION | QTY. |
|---------|------------|-----------------------|------|
| J1* | 6510027290 | 52808-0671 | 1 |
| S1 | 2250000410 | TP90D96E20-30F-2178-1 | 1 |

[RIT UNIT]

| REF NO. | ORDER NO. | DESCRIPTION | QTY. |
|---------|------------|--------------|------|
| J1* | 6510027290 | 52808-0671 | 1 |
| S1 | 2250000650 | EVEGC2F2524B | 1 |

*: Refer to "BOARD LAYOUTS" for the location.

** : Refer to "GENERAL WIRING" for the connection

Screw abbreviations A, B0, BT: Self-tapping PH: Pan head ZK: Black NI-ZU: Nickel-Zinc SUS: Stainless

[JACK UNIT]

| REF NO. | ORDER NO. | DESCRIPTION | QTY. |
|---------|------------|-------------------|------|
| J1* | 6510020711 | 52793-1070 (1090) | 1 |
| J2 | 6510027890 | 01J0370-00 | 1 |
| J102 | 6510023900 | LGR4619-7000 | 1 |

[MIC UNIT]

| REF NO. | ORDER NO. | DESCRIPTION | QTY. |
|---------|------------|-----------------|------|
| J1 | 6510000191 | FM214-8SS (P)-1 | 1 |
| J2* | 6510019971 | 52808-1071 | 1 |

[BPF UNIT]

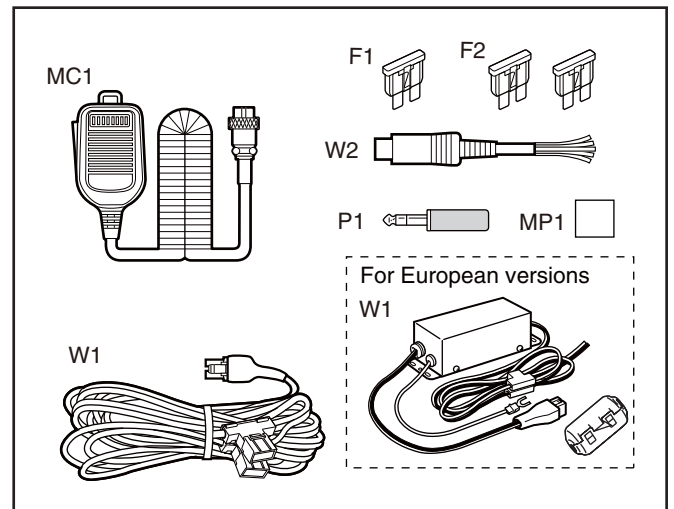
| REF NO. | ORDER NO. | DESCRIPTION | QTY. |
|---------|------------|------------------------|------|
| J141 | 6510028210 | SJ050010 (TMP-J01X-V6) | 1 |
| J201 | 6510028210 | SJ050010 (TMP-J01X-V6) | 1 |
| J301 | 6510028210 | SJ050010 (TMP-J01X-V6) | 1 |
| J302* | 6510020081 | 52808-2071 (2090) | 1 |
| MP31 | 8930062740 | 2590 M-SPRING | 1 |

[DC-DC UNIT]

| REF NO. | ORDER NO. | DESCRIPTION | QTY. |
|---------|------------|--|------|
| J1* | 6510019121 | S8B-PH-SM4-TB (LF) (SN) | 1 |
| F201* | 5210001050 | ICP-S0.5TN | 1 |
| F202* | 5210001040 | ICP-S1.2TN | 1 |
| F302* | 5210001040 | ICP-S1.2TN | 1 |
| MP201 | 8510015740 | 2590 DC-DC B-CASE Y687 | 1 |
| MP202 | 8510015750 | 2590 DC-DC B-PLATE Y689 | 1 |
| MP301 | 8510015740 | 2590 DC-DC B-CASE Y687 | 1 |
| MP302 | 8510015750 | 2590 DC-DC B-PLATE Y689 | 1 |
| MP401 | 8930059021 | THERMAL SHEET (AI)-1 TC-100HS-1.4 | 1 |
| MP402 | 8930059021 | THERMAL SHEET (AI)-1 TC-100HS-1.4 | 1 |
| MP403 | 8930062220 | THERMAL SHEET (AO)TC-200HS-1.4 (29X48) | 1 |
| MP404 | 8930062220 | THERMAL SHEET (AO)TC-200HS-1.4 (29X48) | 1 |

[ACCESSORIES]

| REF NO. | ORDER NO. | DESCRIPTION | QTY. |
|---------|------------|-----------------------|------------|
| P1 | 5610000410 | AP-319 | 1 |
| F1 | 5210000840 | ATC-30 | 2 |
| F2 | 5210000940 | 1205 | 1 |
| MC1 | (Optional) | HM-36 | 1 |
| W1 | 8900013980 | OPC-1457 | [USA] 1 |
| | 8900013980 | OPC-1457 | [TPE] 1 |
| | 8900013980 | OPC-1457 | [KOR] 1 |
| | 8900013980 | OPC-1457 | [CHN] 1 |
| | 8900013980 | OPC-1457 | [EXP] 1 |
| | 0880003060 | OPC-2095 | [EUR] 1 |
| | 0880003060 | OPC-2095 | [EUR-01] 1 |
| | 0880003060 | OPC-2095 | [ITR] 1 |
| | 0880003060 | OPC-2095 | [ESP] 1 |
| | 0880003060 | OPC-2095 | [FRA] 1 |
| W2 | 8900006110 | OPC-596 | 1 |
| EP1 | 6910011941 | ZCAT2436-1330A-BK | [EUR] 1 |
| | 6910011941 | ZCAT2436-1330A-BK | [EUR-01] 1 |
| | 6910011941 | ZCAT2436-1330A-BK | [ITR] 1 |
| | 6910011941 | ZCAT2436-1330A-BK | [ESP] 1 |
| | 6910011941 | ZCAT2436-1330A-BK | [FRA] 1 |
| MP1 | 8930080210 | DOUBLE SIDE TAPE (BG) | 1 |

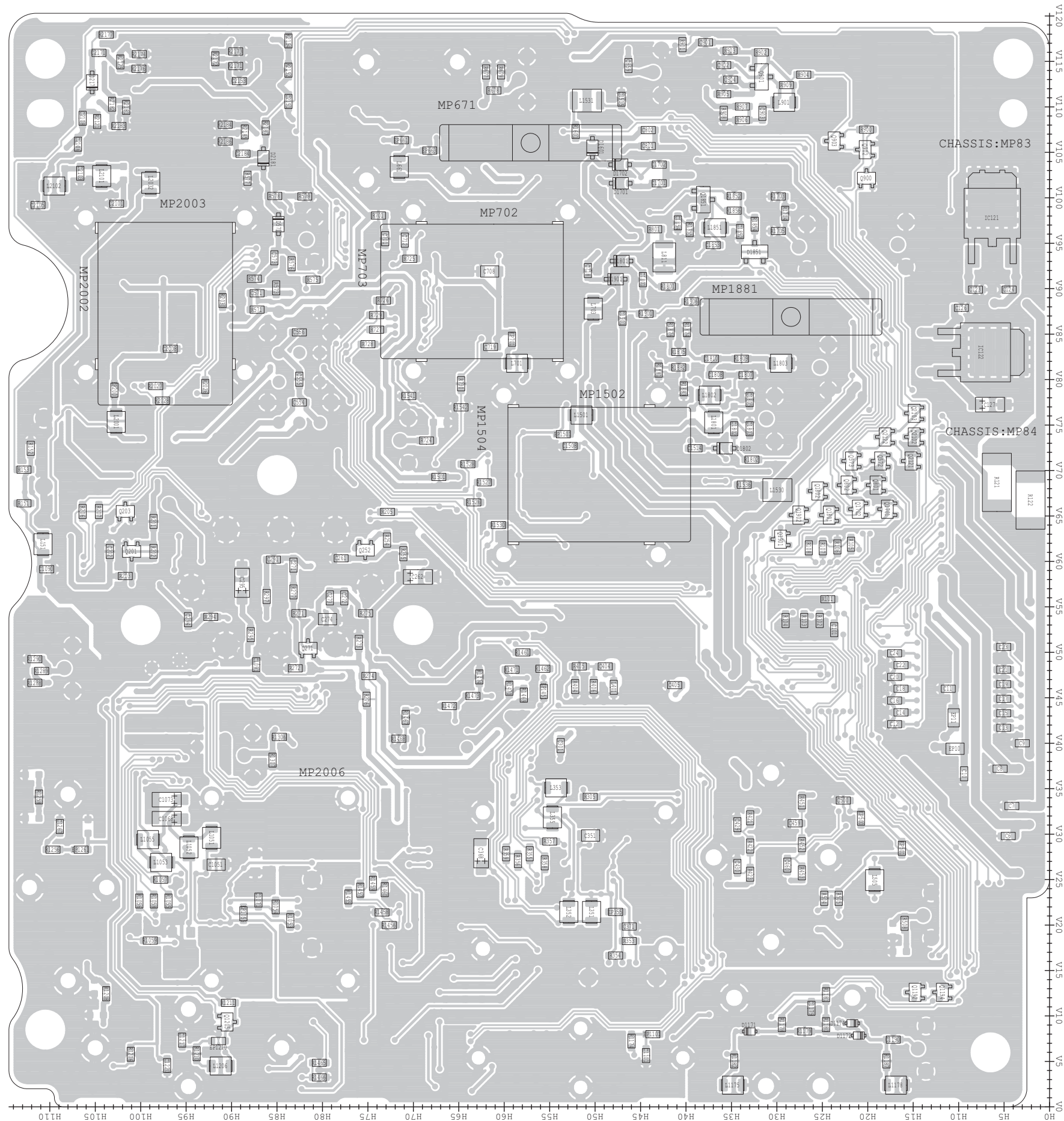


*: Refer to "BOARD LAYOUTS" for the location.

** : Refer to "GENERAL WIRING" for the connection

Screw abbreviations A, B0, BT: Self-tapping PH: Pan head ZK: Black NI-ZU: Nickel-Zinc SUS: Stainless

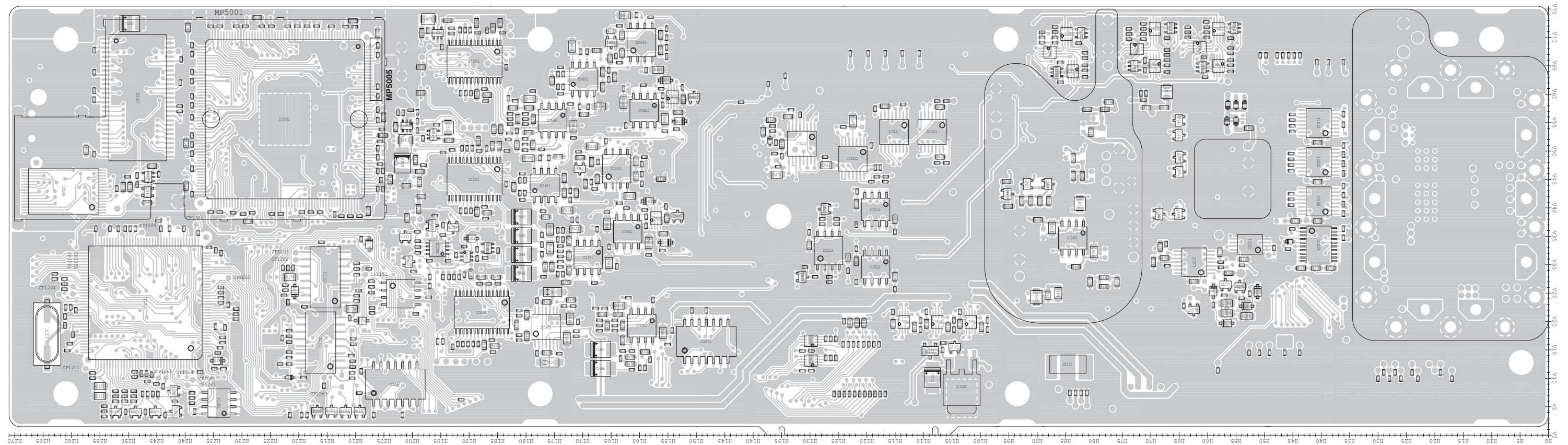
• PLL UNIT
(BOTTOM VIEW)



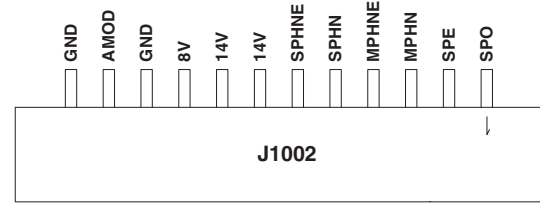
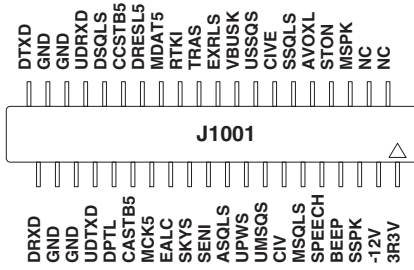
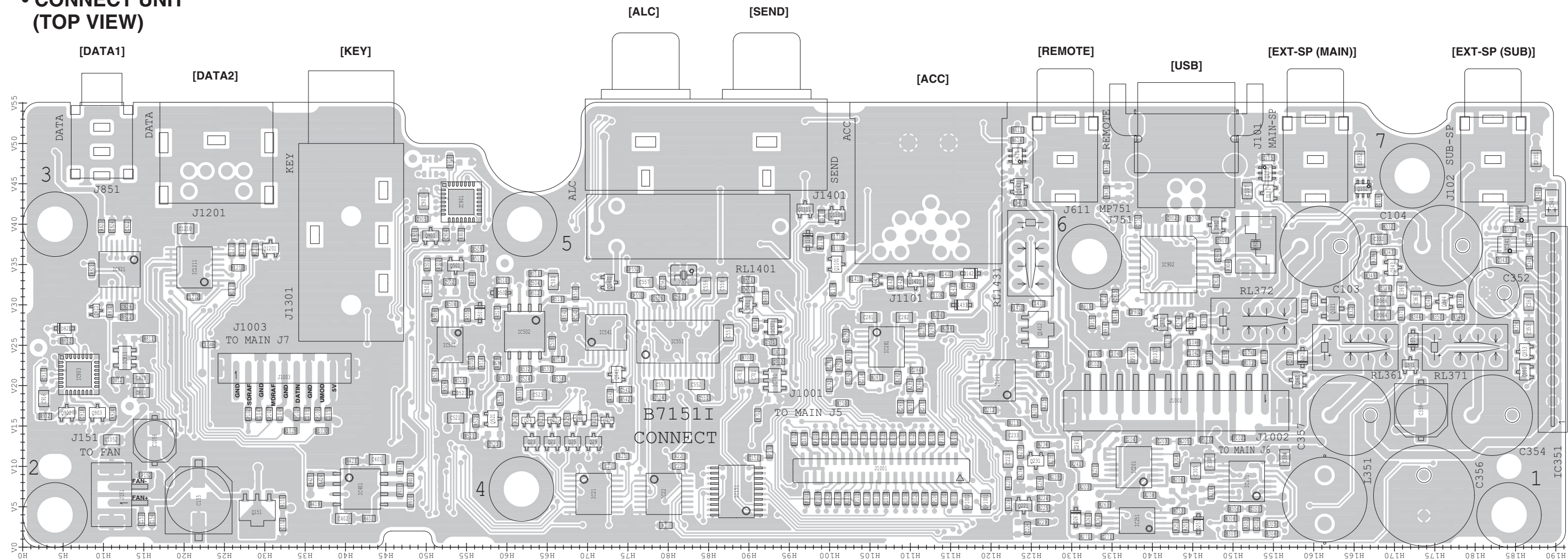
The combination of this page and next page shows the top side and bottom side of actual P.C. board.

The combination of this page and next page shows the top side and bottom side of actual P.C. board.

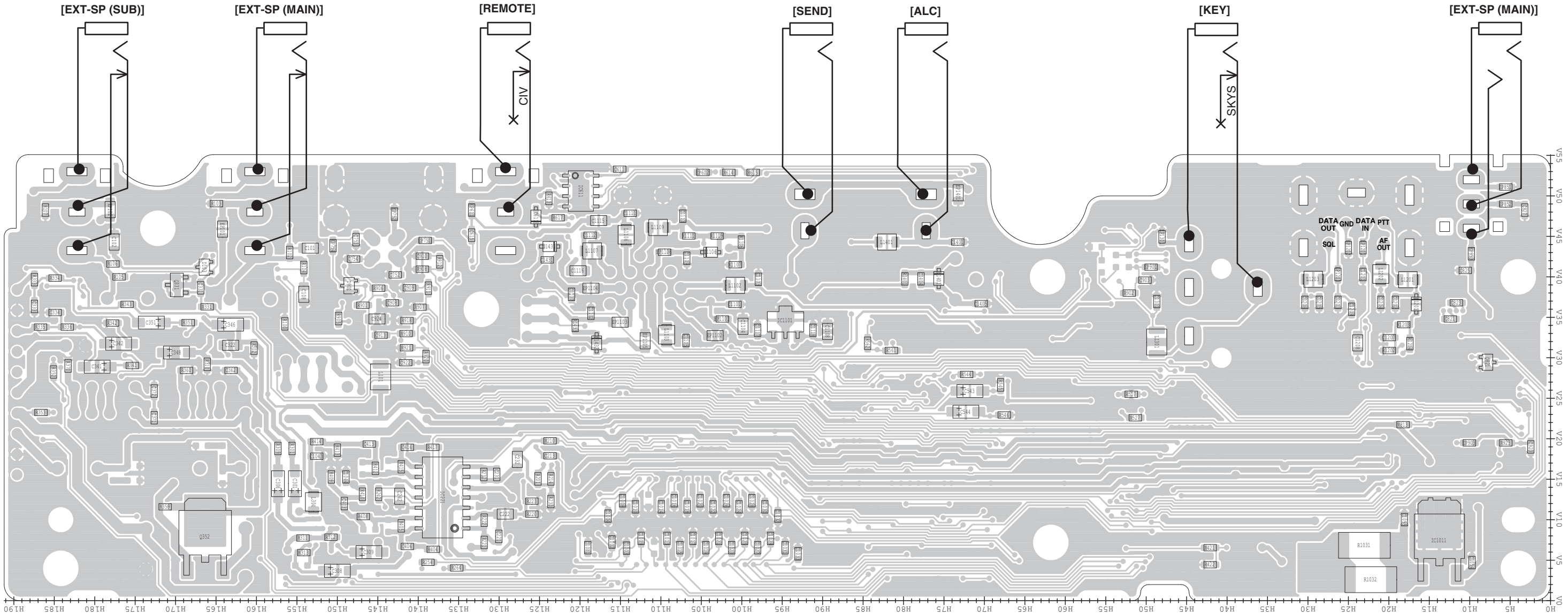
• MAIN UNIT
(BOTTOM VIEW)



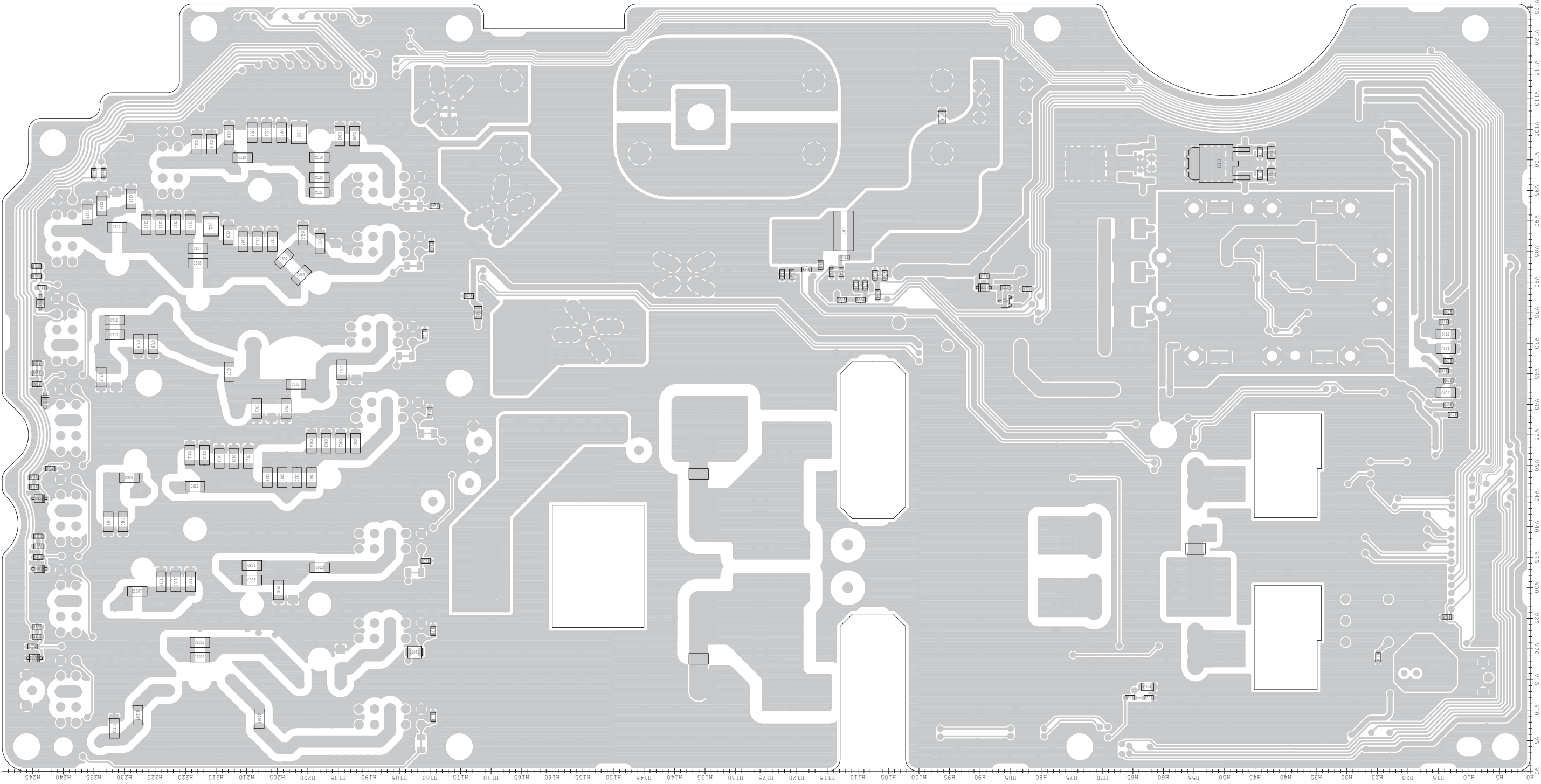
• **CONNECT UNIT
(TOP VIEW)**



• CONNECT UNIT
(BOTTOM VIEW)

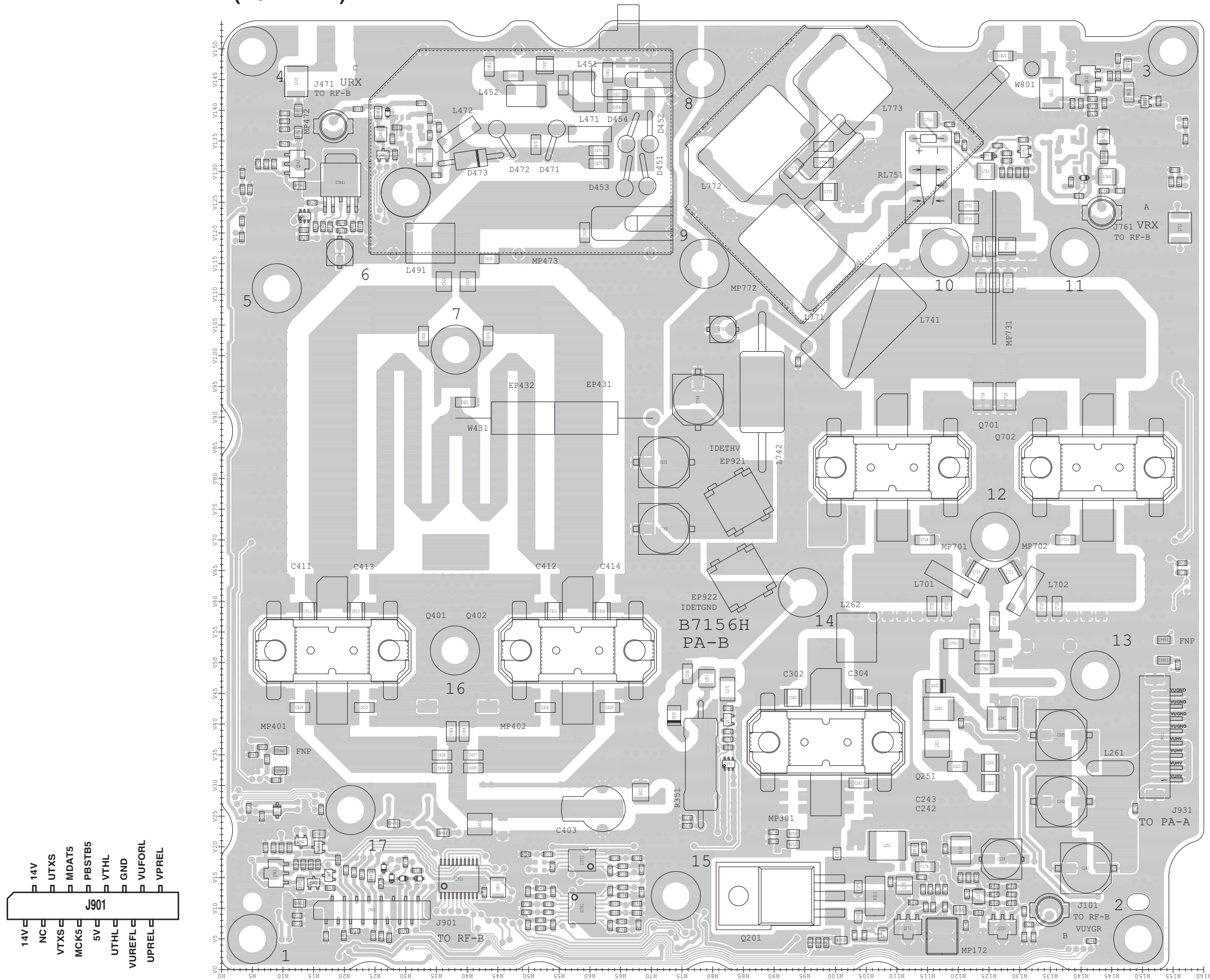


• PA-A UNIT
(BOTTOM VIEW)



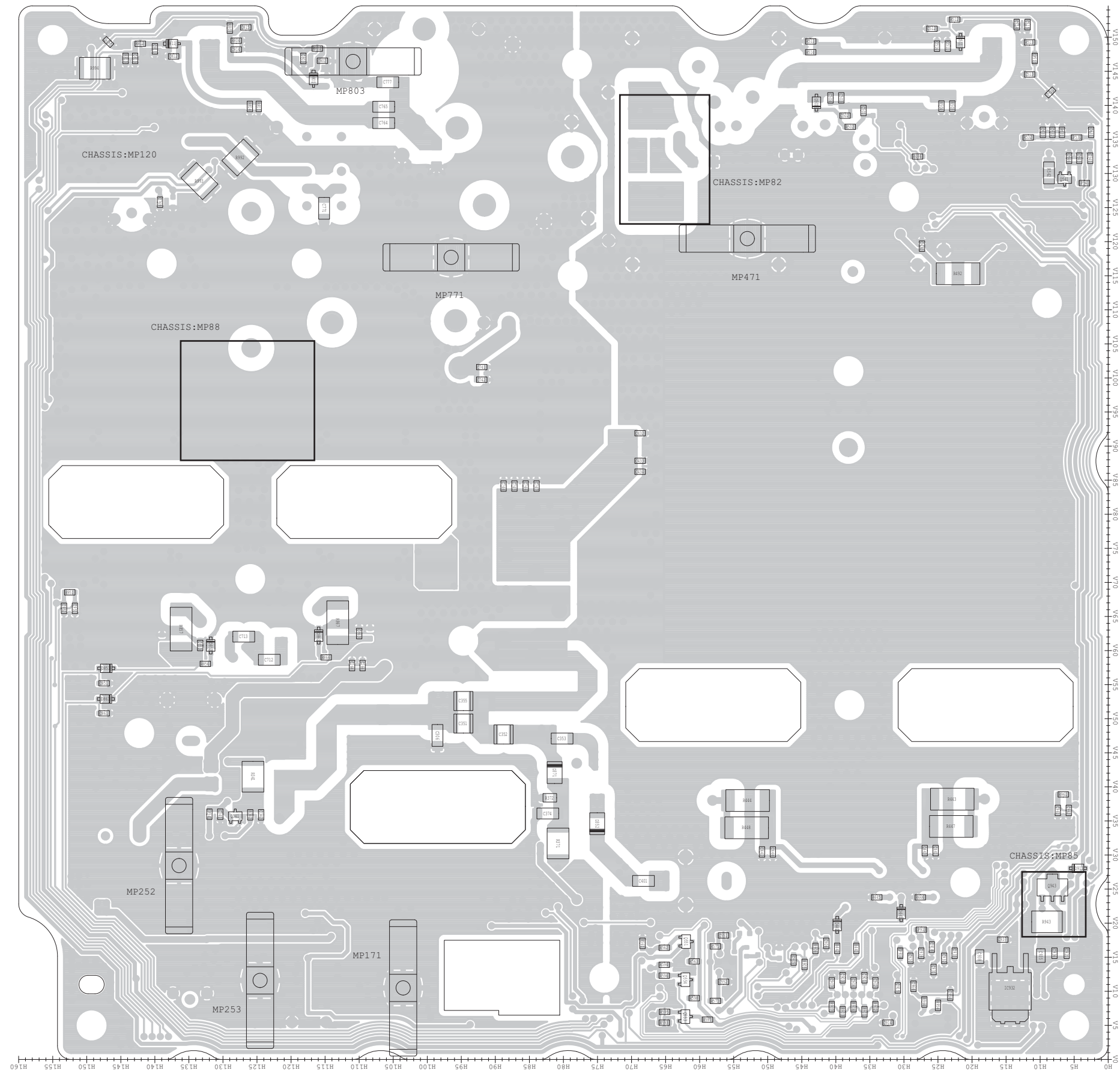
• PA-B UNIT
(TOP VIEW)

The combination of this page and next page shows
the top side and bottom side of actual P.C. board.

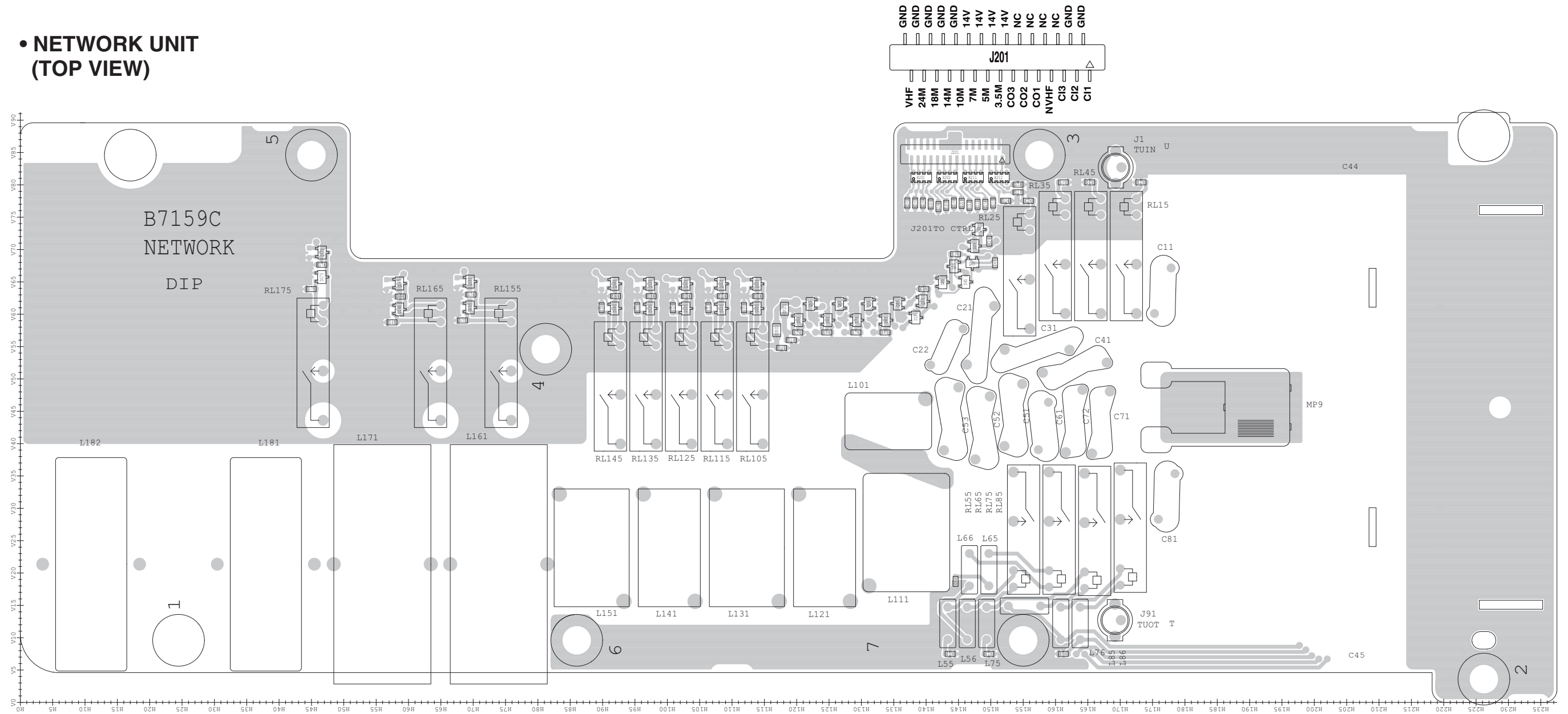


• PA-B UNIT
(BOTTOM VIEW)

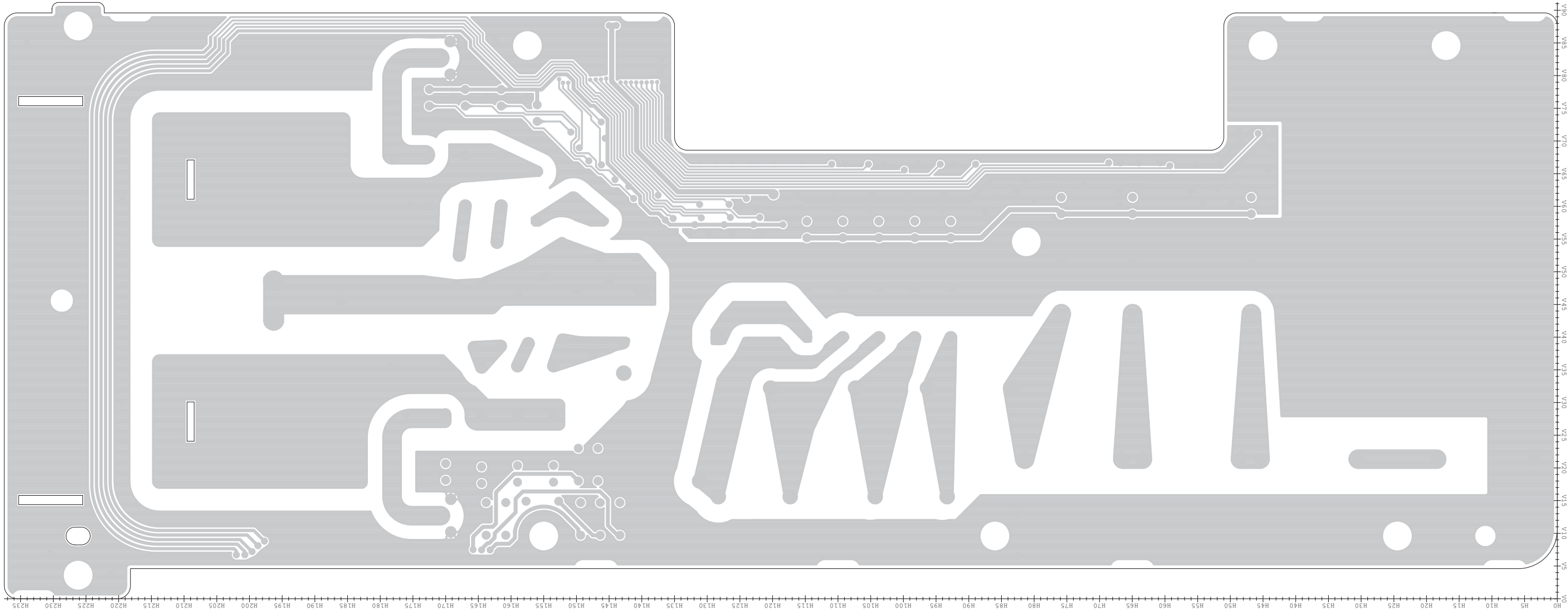
The combination of this page and next page shows
the top side and bottom side of actual P.C. board.



• NETWORK UNIT
(TOP VIEW)

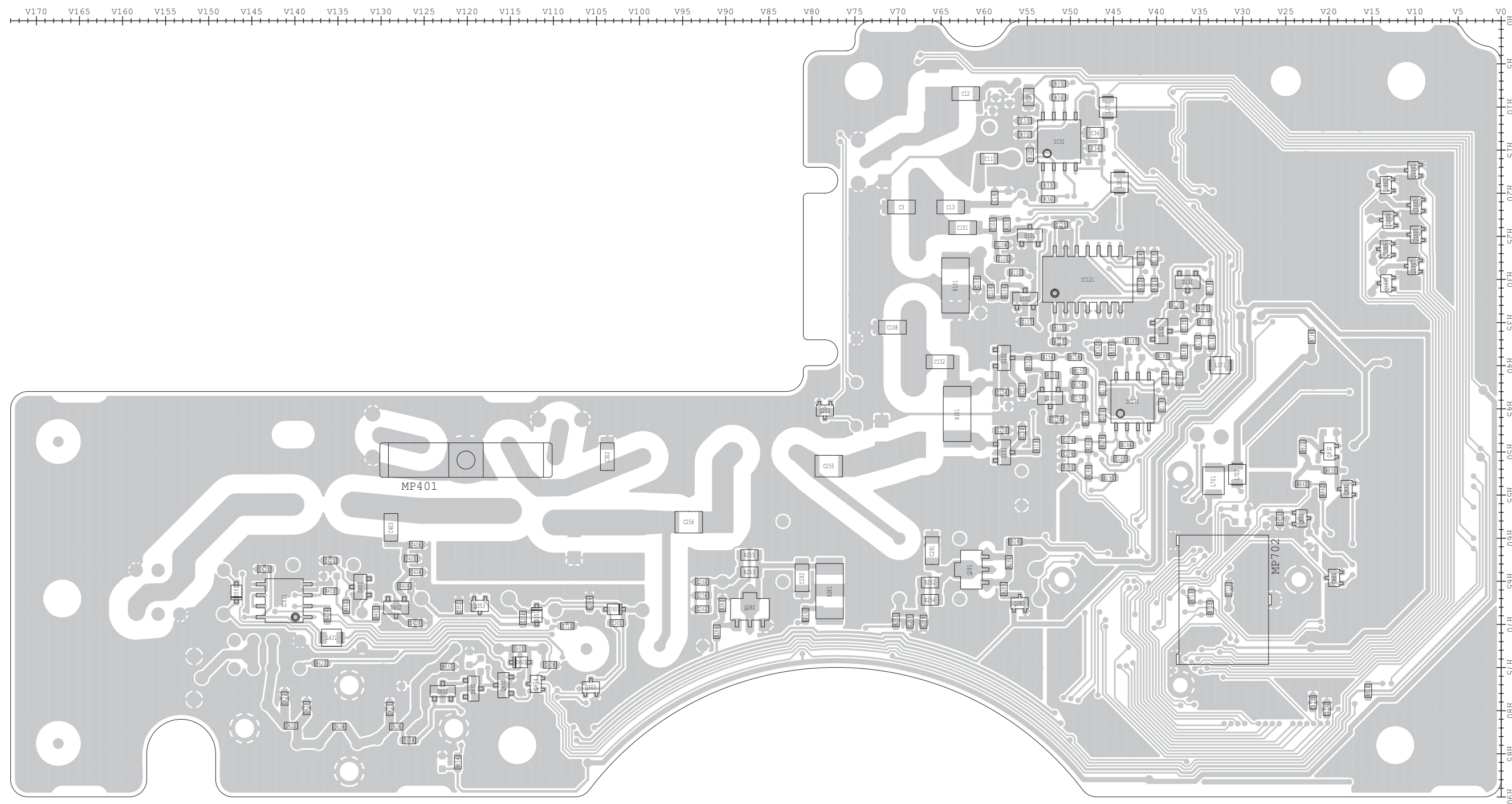


• NETWORK UNIT
(BOTTOM VIEW)



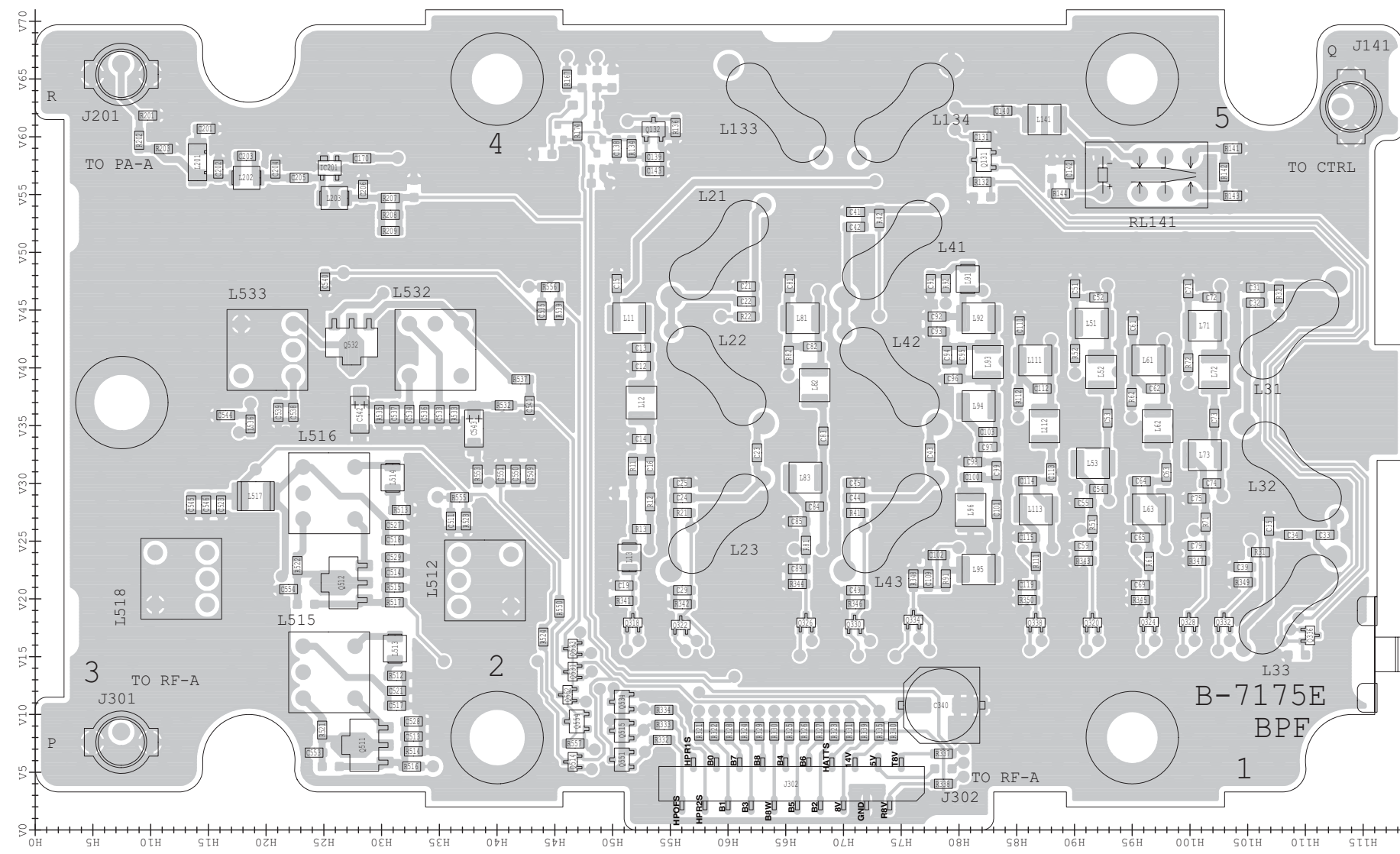
The combination of this page and next page shows the top side and bottom side of actual P.C. board.

• CTRL UNIT
(BOTTOM VIEW)

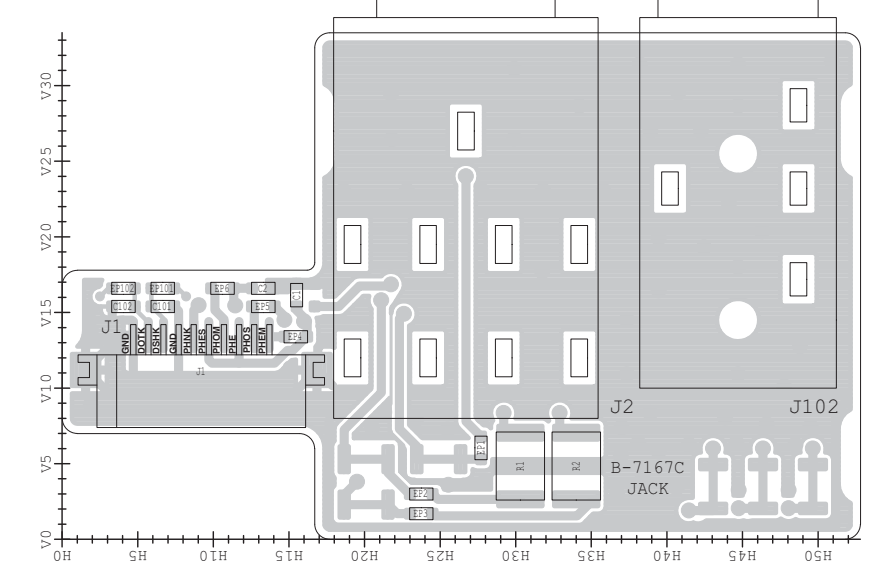


The combination of this page and next page shows the top side and bottom side of actual P.C. board.

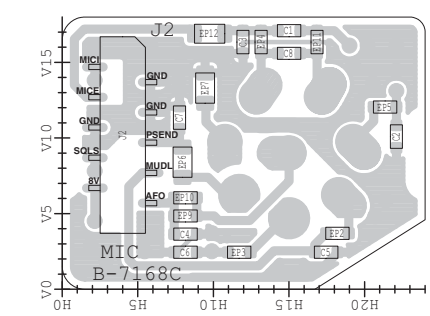
• BPF UNIT (TOP VIEW)



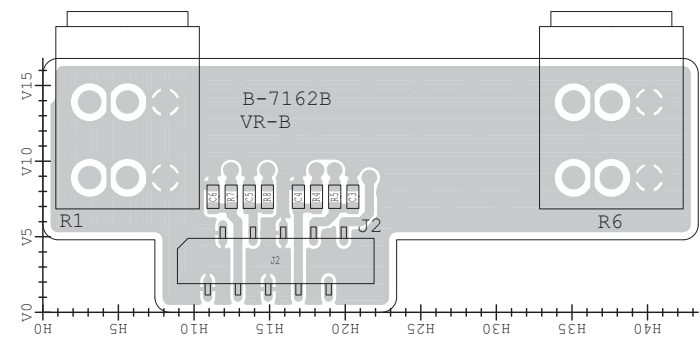
• JACK UNIT (TOP VIEW)



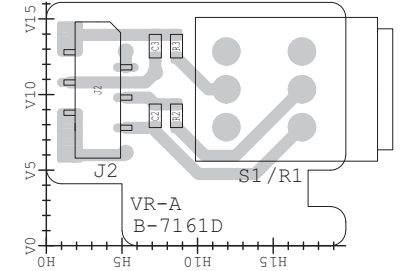
• MIC UNIT (TOP VIEW)



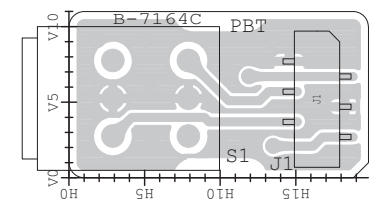
• VR-B UNIT (TOP VIEW)



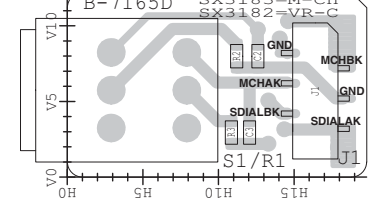
• VR-A UNIT (TOP VIEW)



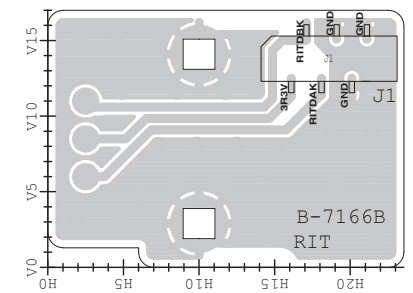
• PBT UNIT (TOP VIEW)



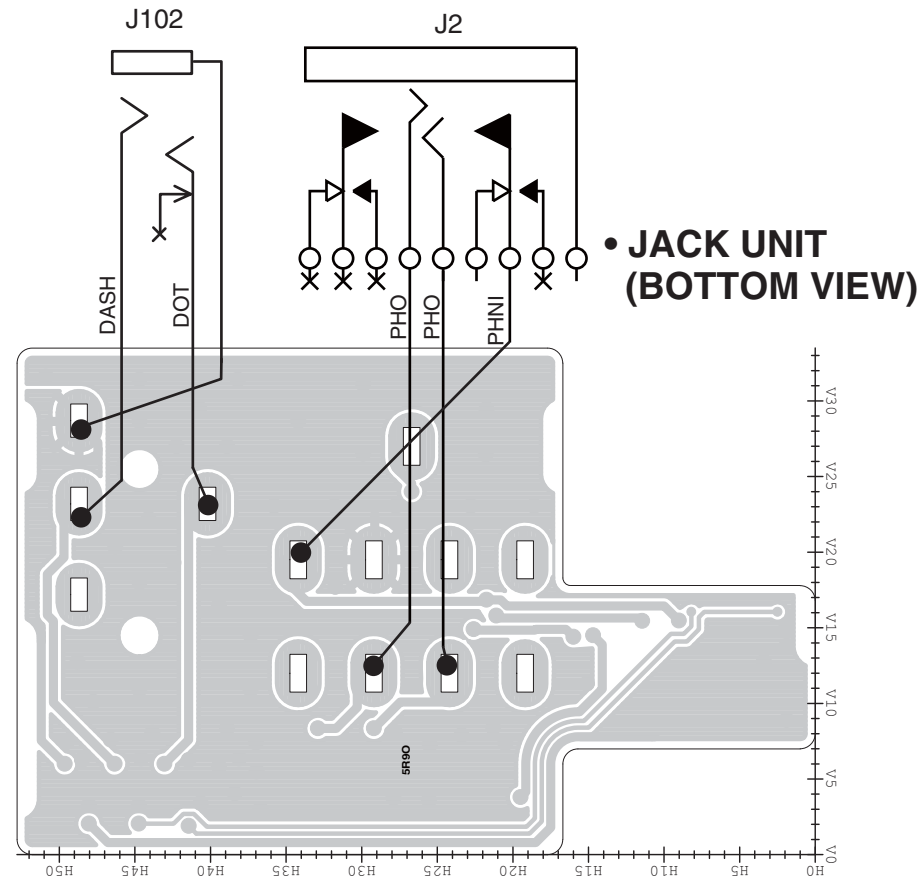
• M-CH UNIT (TOP VIEW)



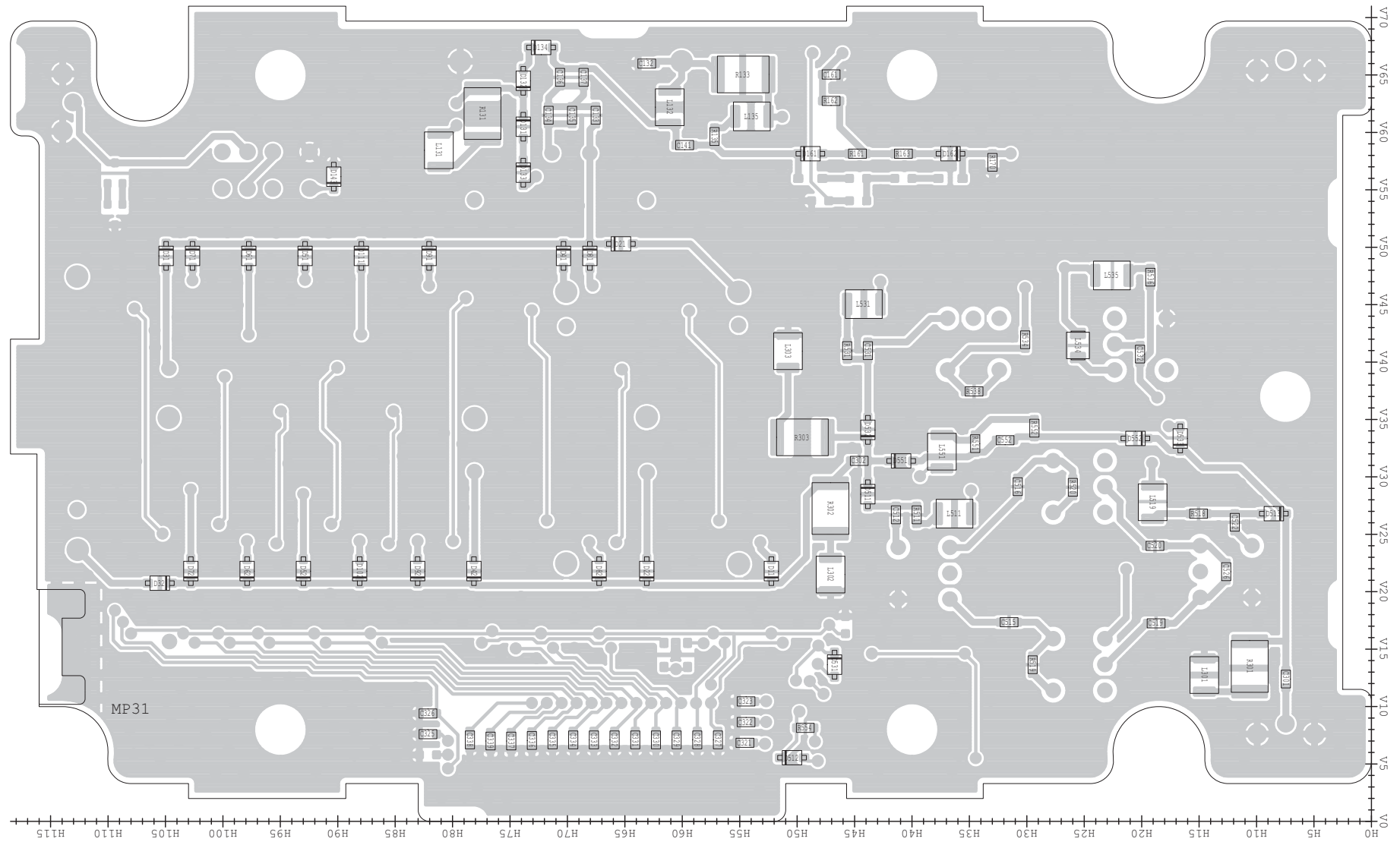
• RIT UNIT (TOP VIEW)



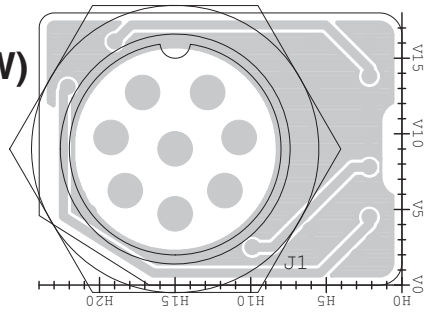
The combination of this page and next page shows the top side and bottom side of actual P.C. board.



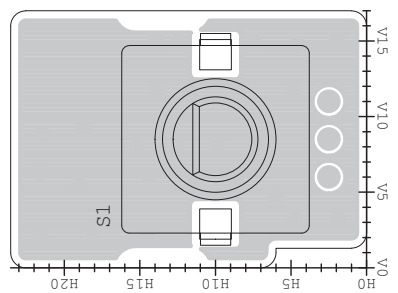
• BPF UNIT (BOTTOM VIEW)



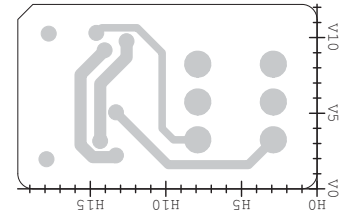
• MIC UNIT (BOTTOM VIEW)



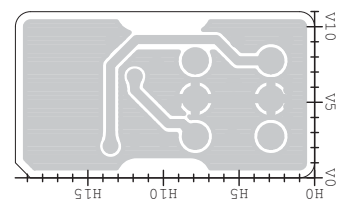
• RIT UNIT (BOTTOM VIEW)



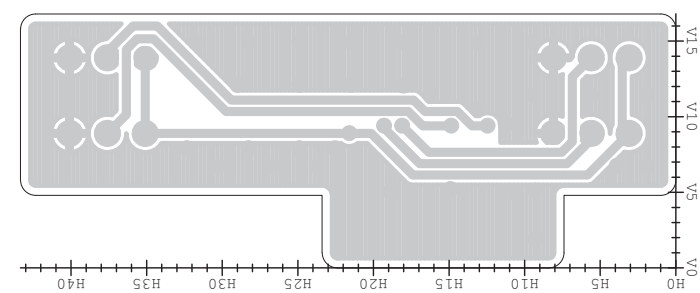
• M-CH UNIT (BOTTOM VIEW)



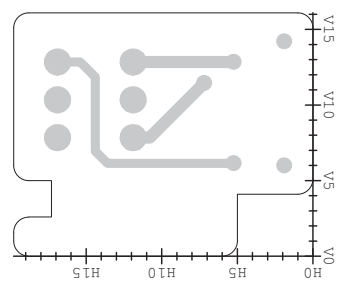
• PBT UNIT (BOTTOM VIEW)



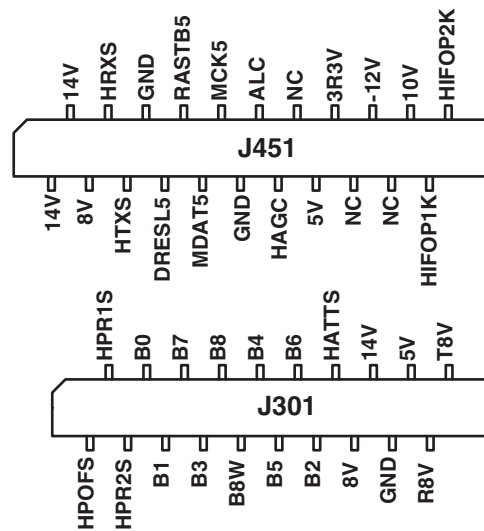
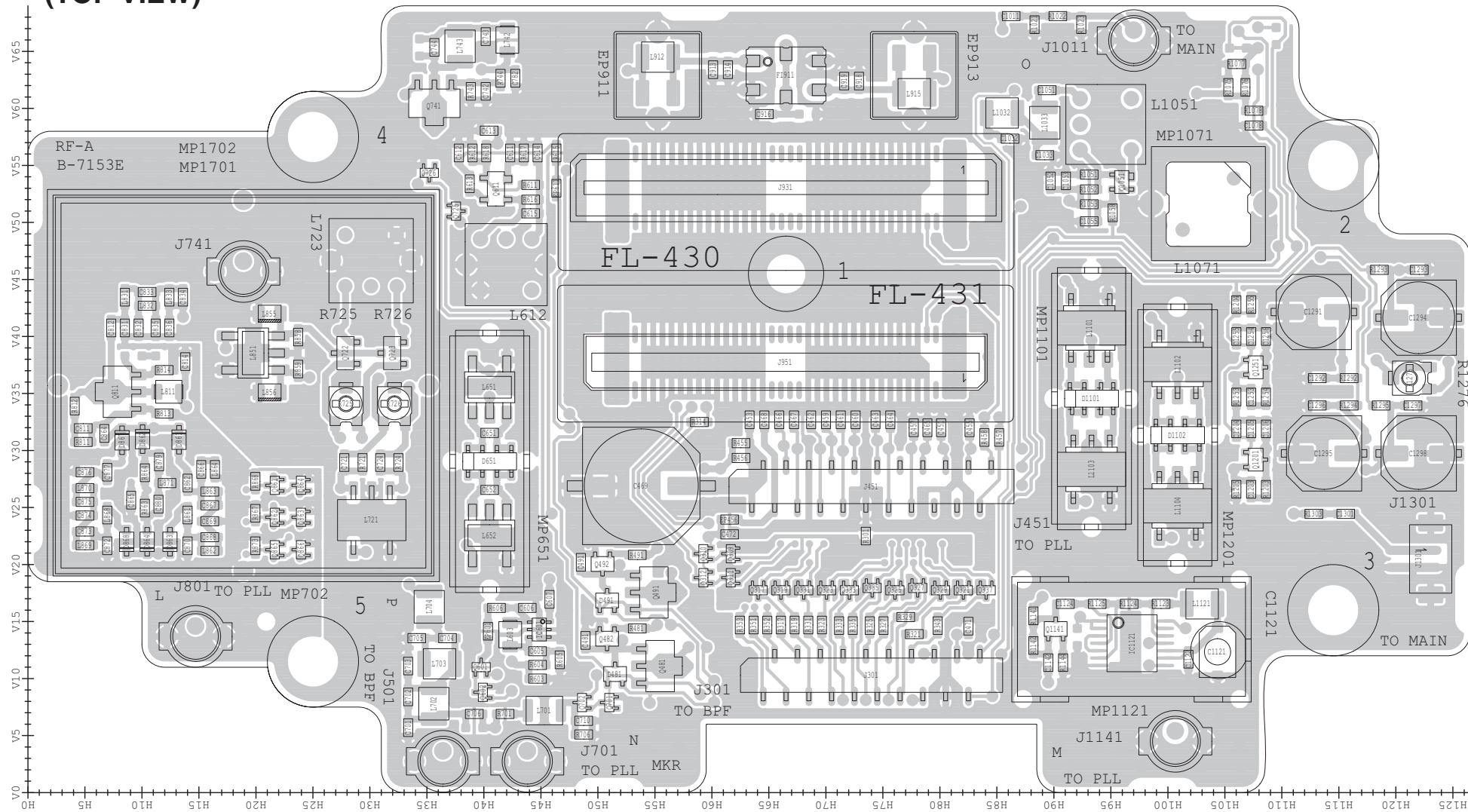
• VR-B UNIT (BOTTOM VIEW)



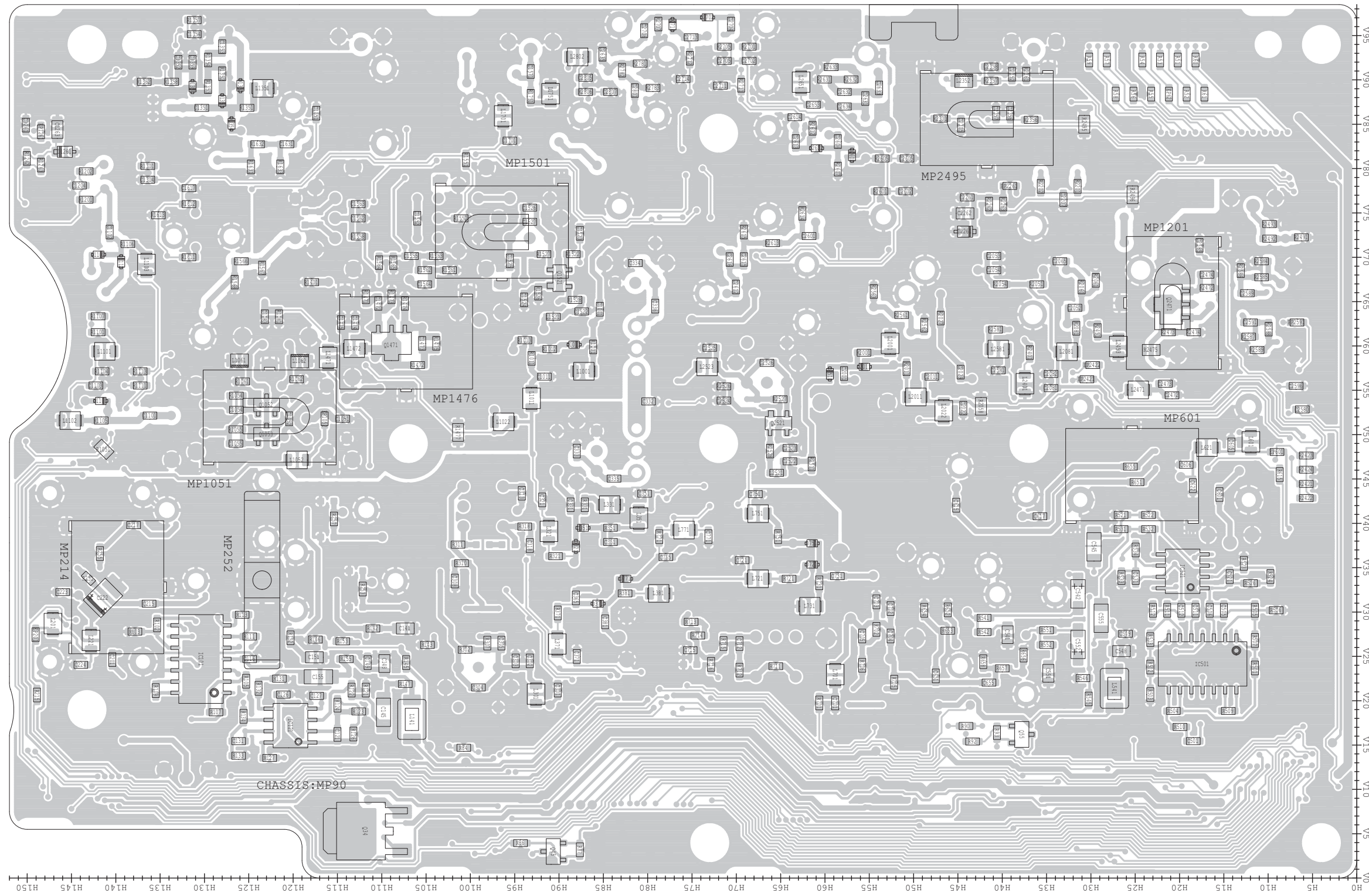
• VR-A UNIT (BOTTOM VIEW)

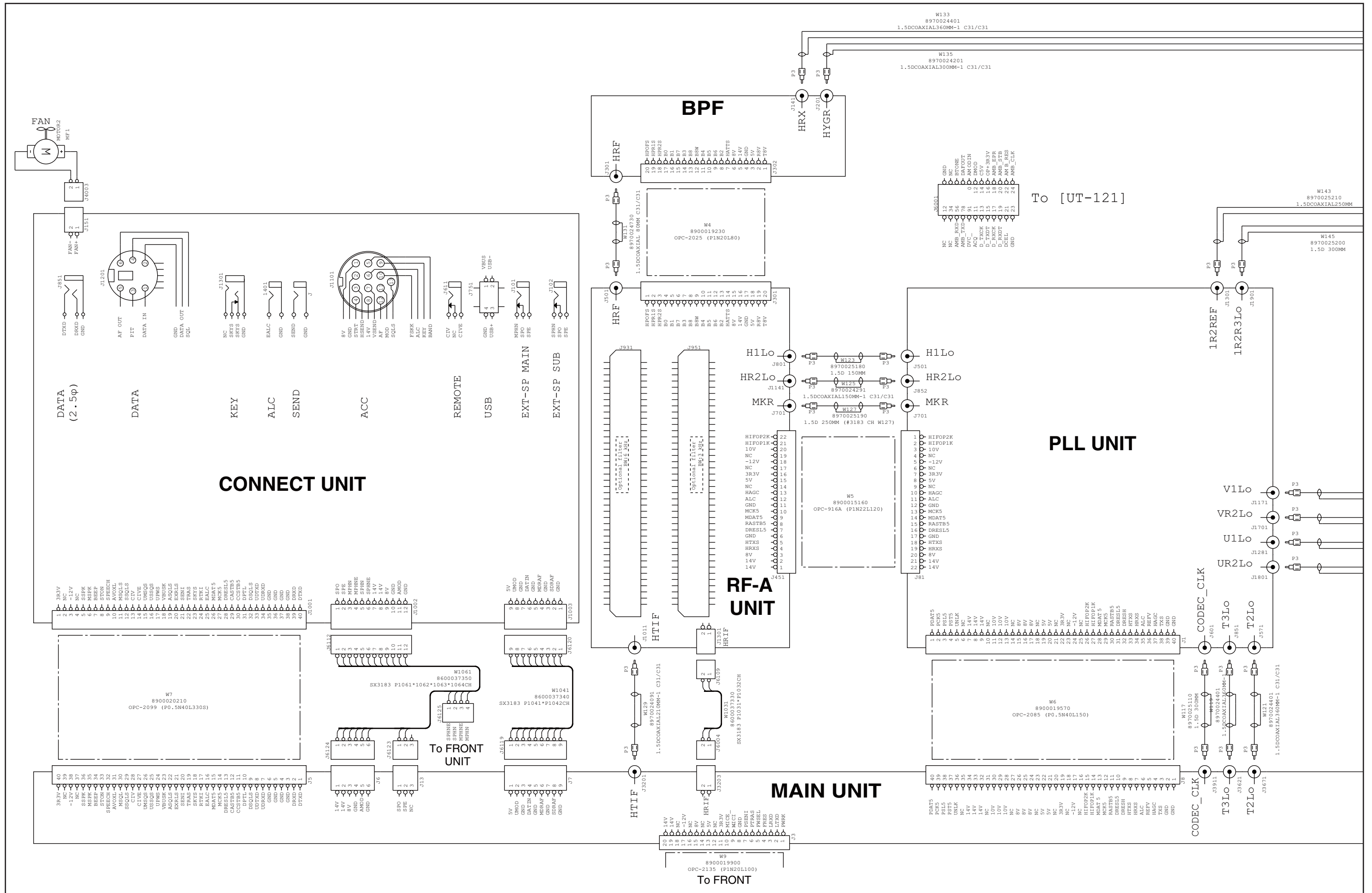


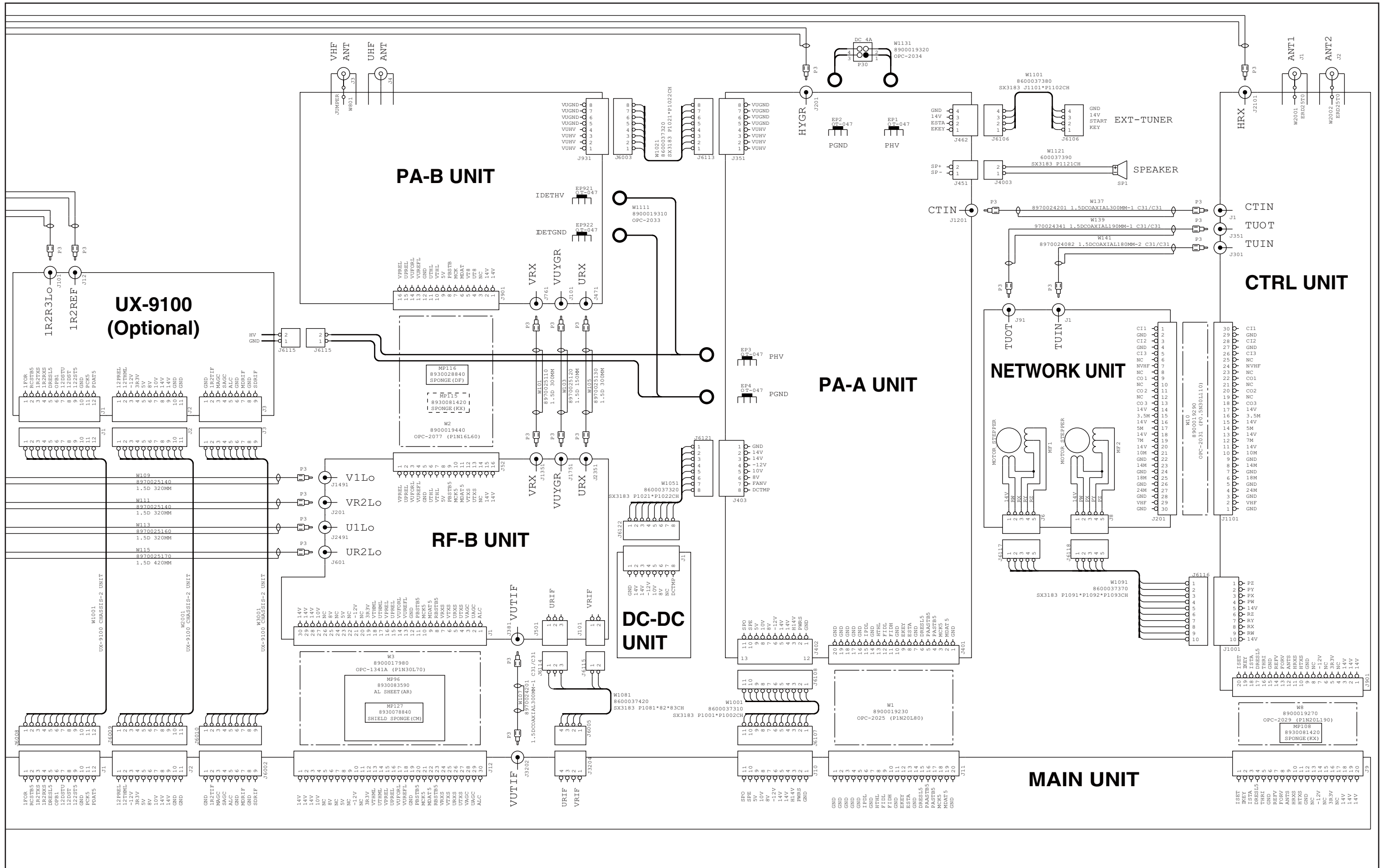
• RF-A UNIT
(TOP VIEW)



• RF-B UNIT
(BOTTOM VIEW)

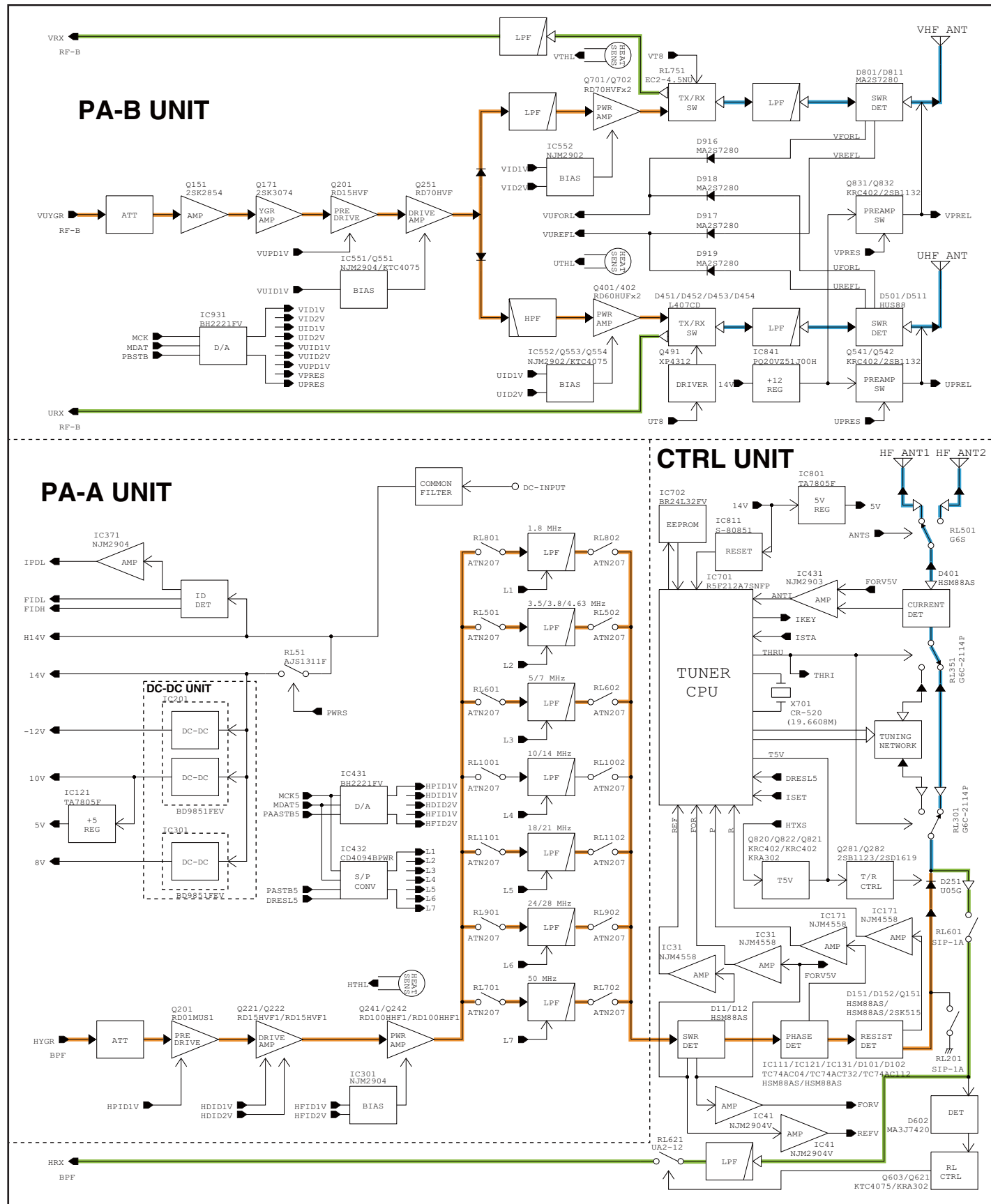


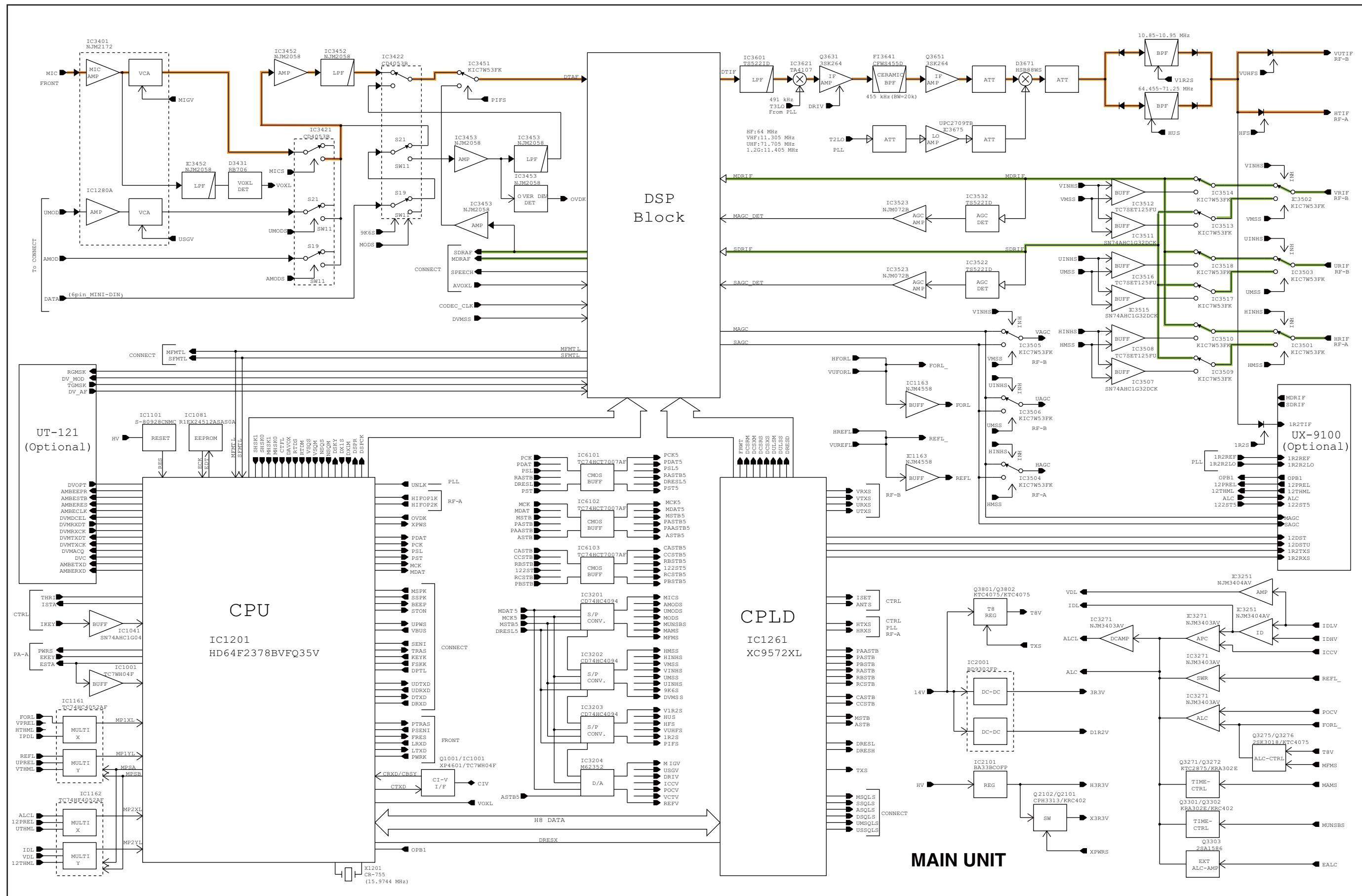


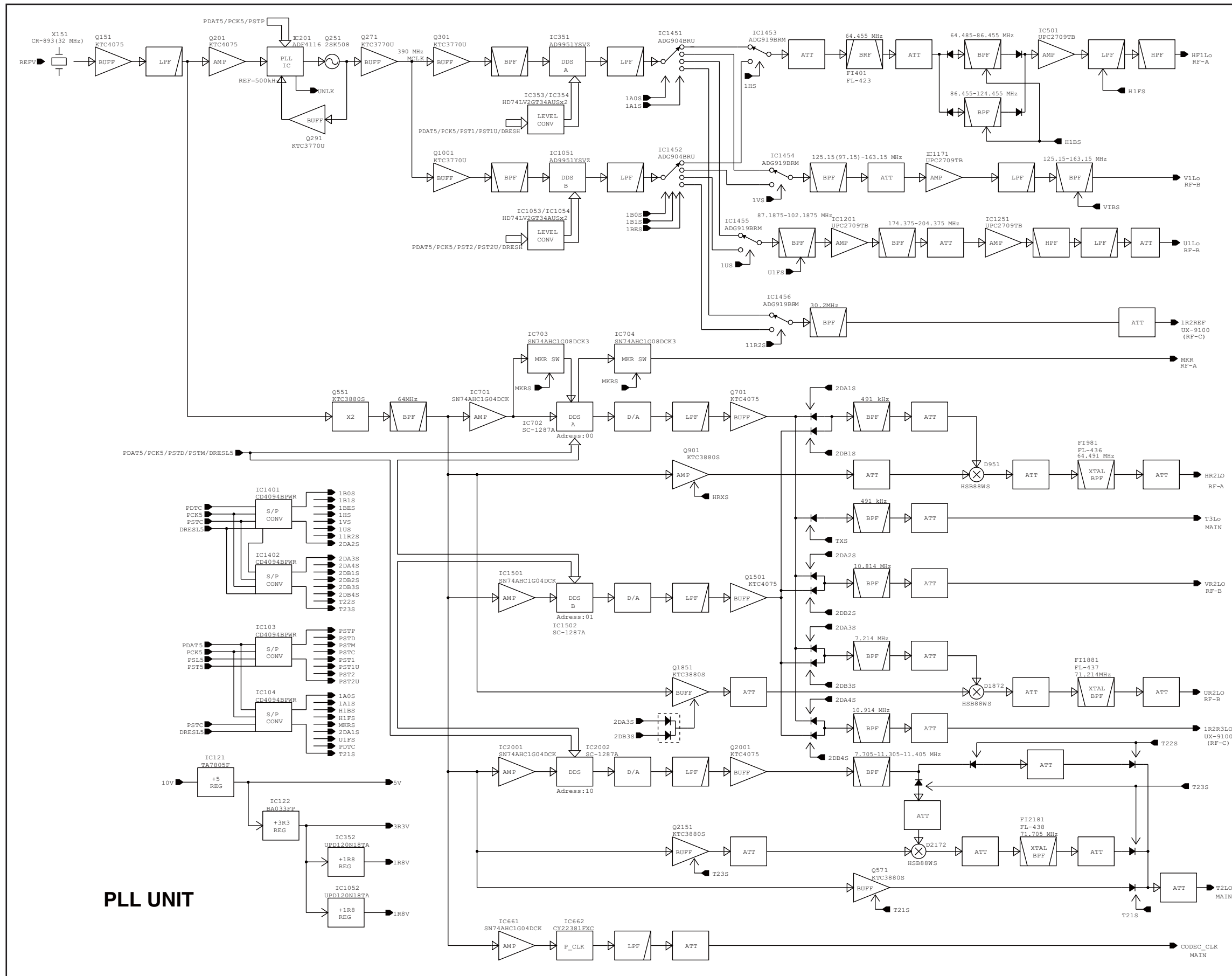


SECTION 9

BLOCK DIAGRAM



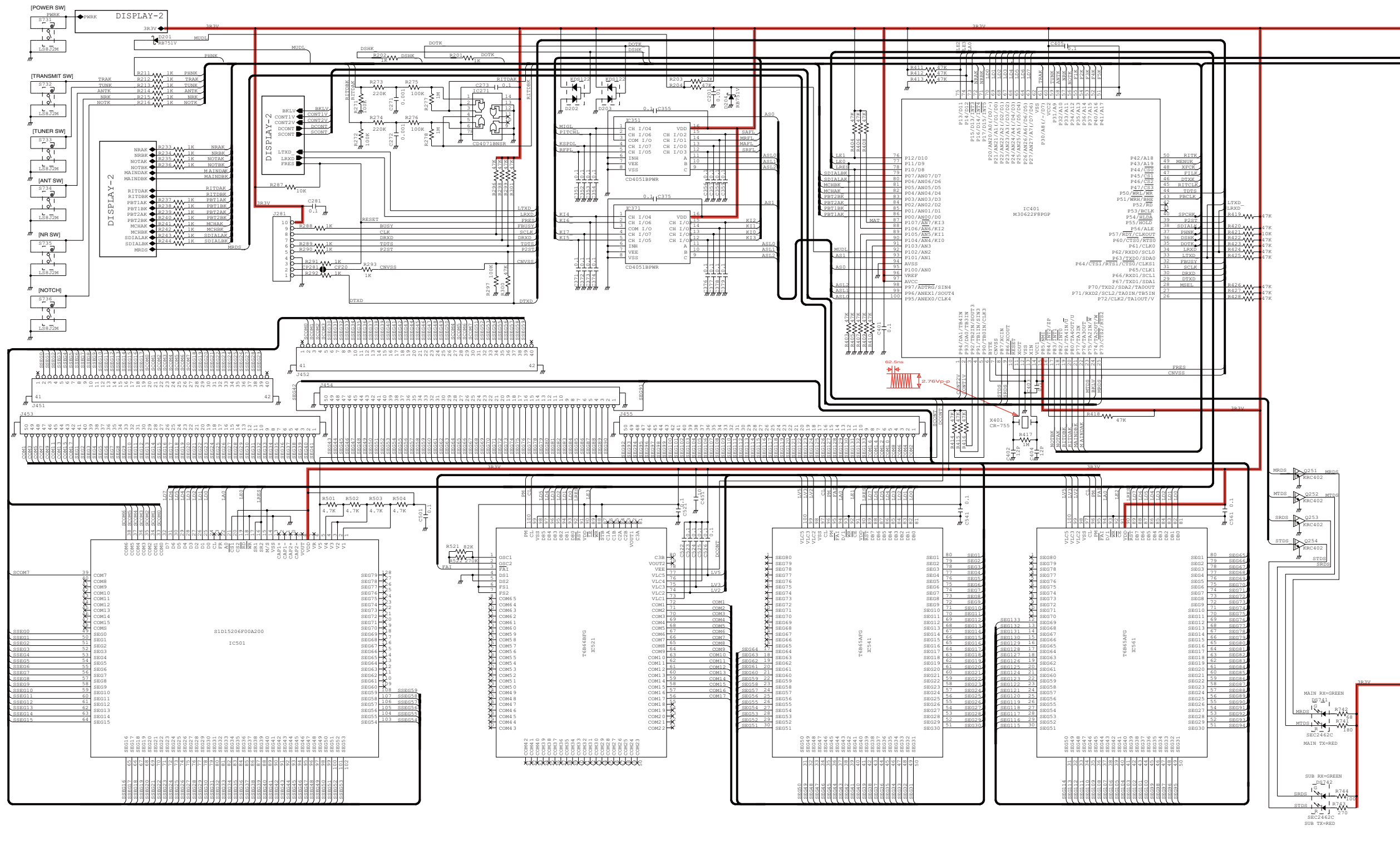




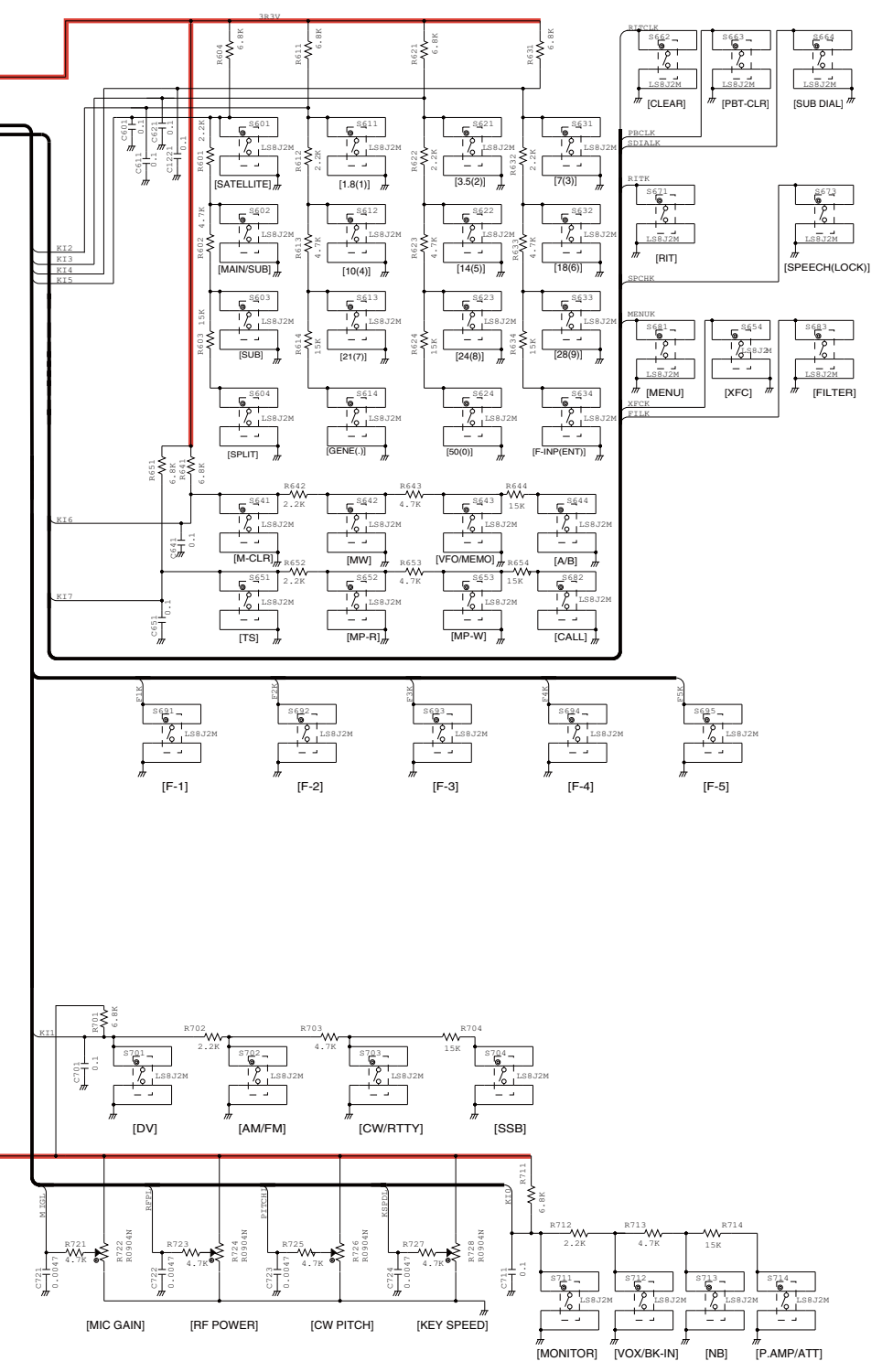
SECTION 10

VOLTAGE DIAGRAM

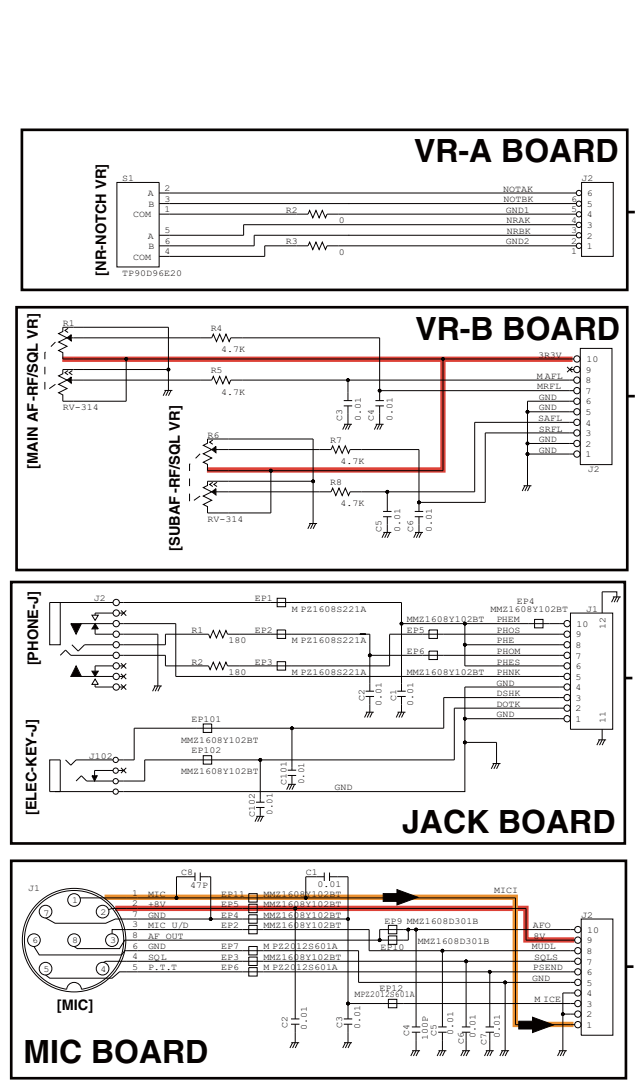
• DISPLAY BOARD (DISPLAY BOARD-1)



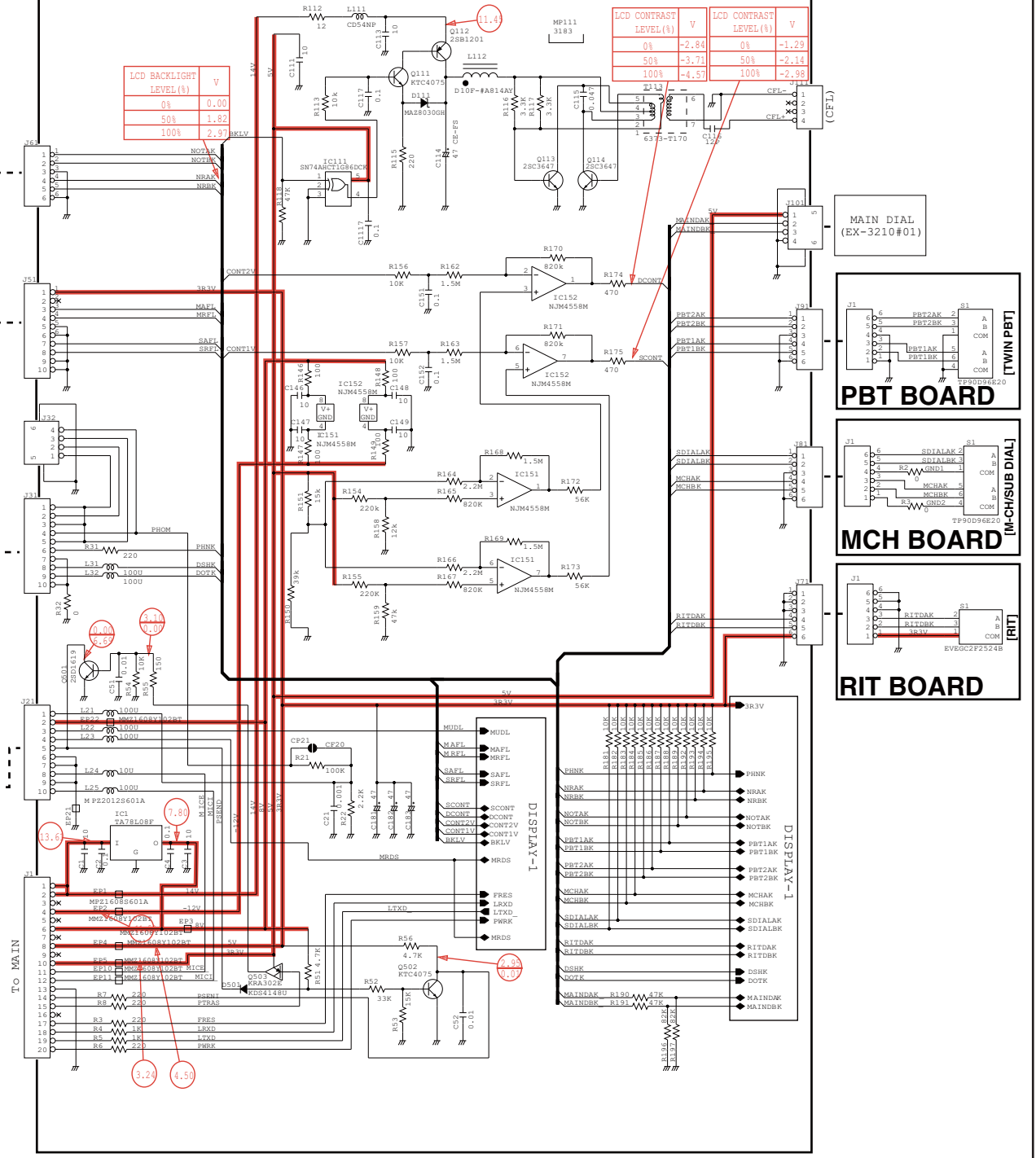
• DISPLAY BOARD (DISPLAY BOARD-1)



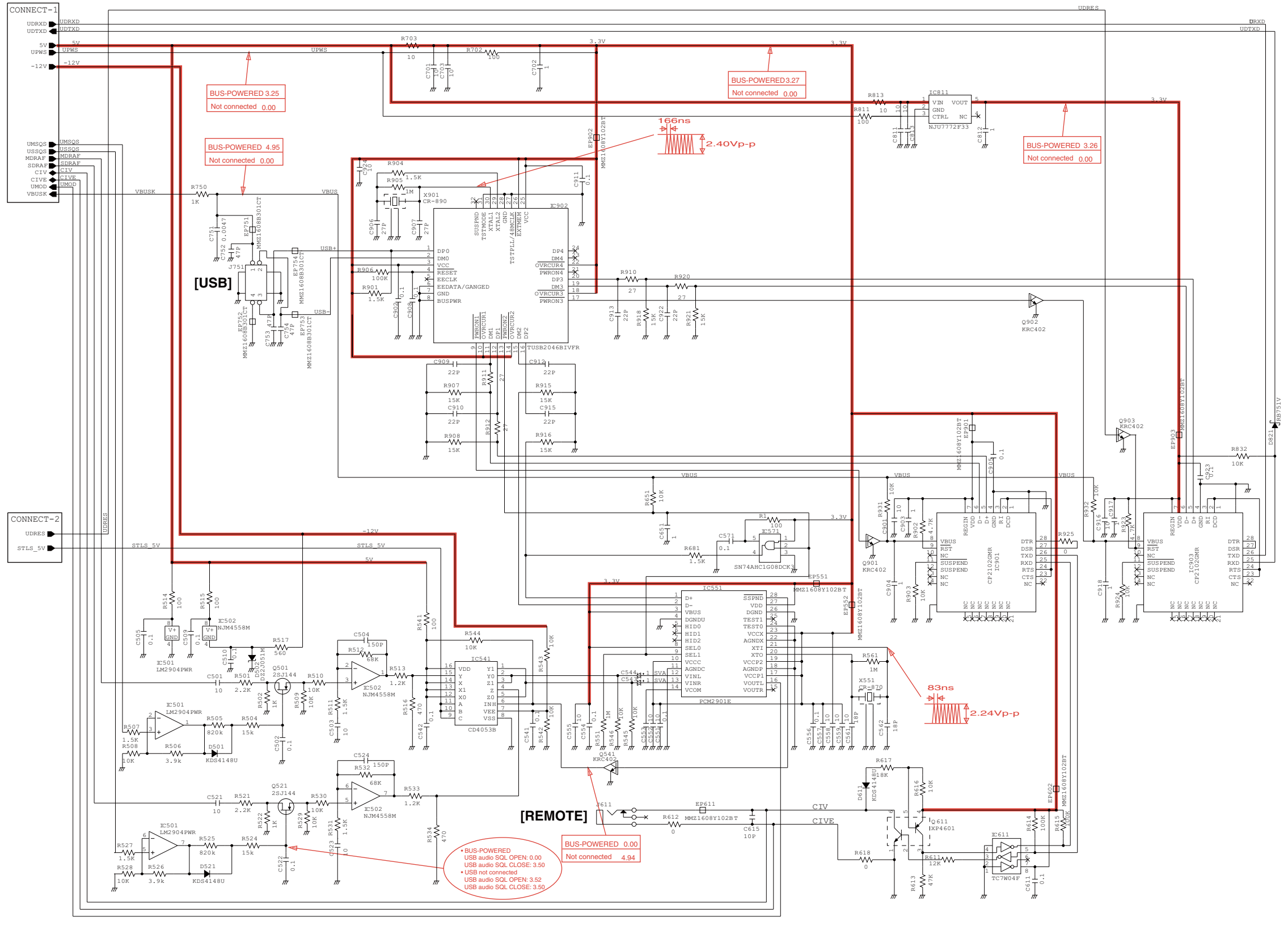
• DISPLAY BOARD (DISPLAY BOARD-2)



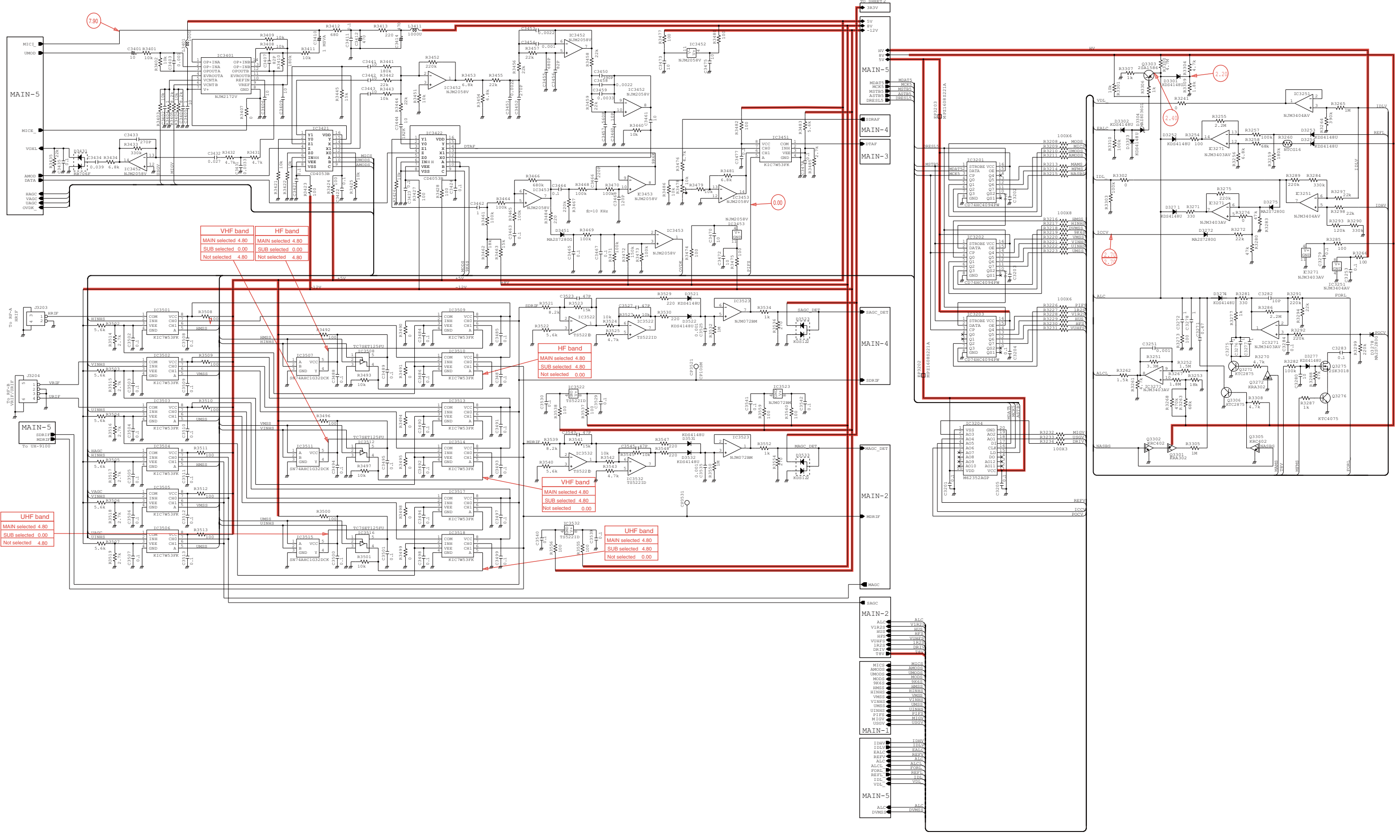
DISPLAY BOARD



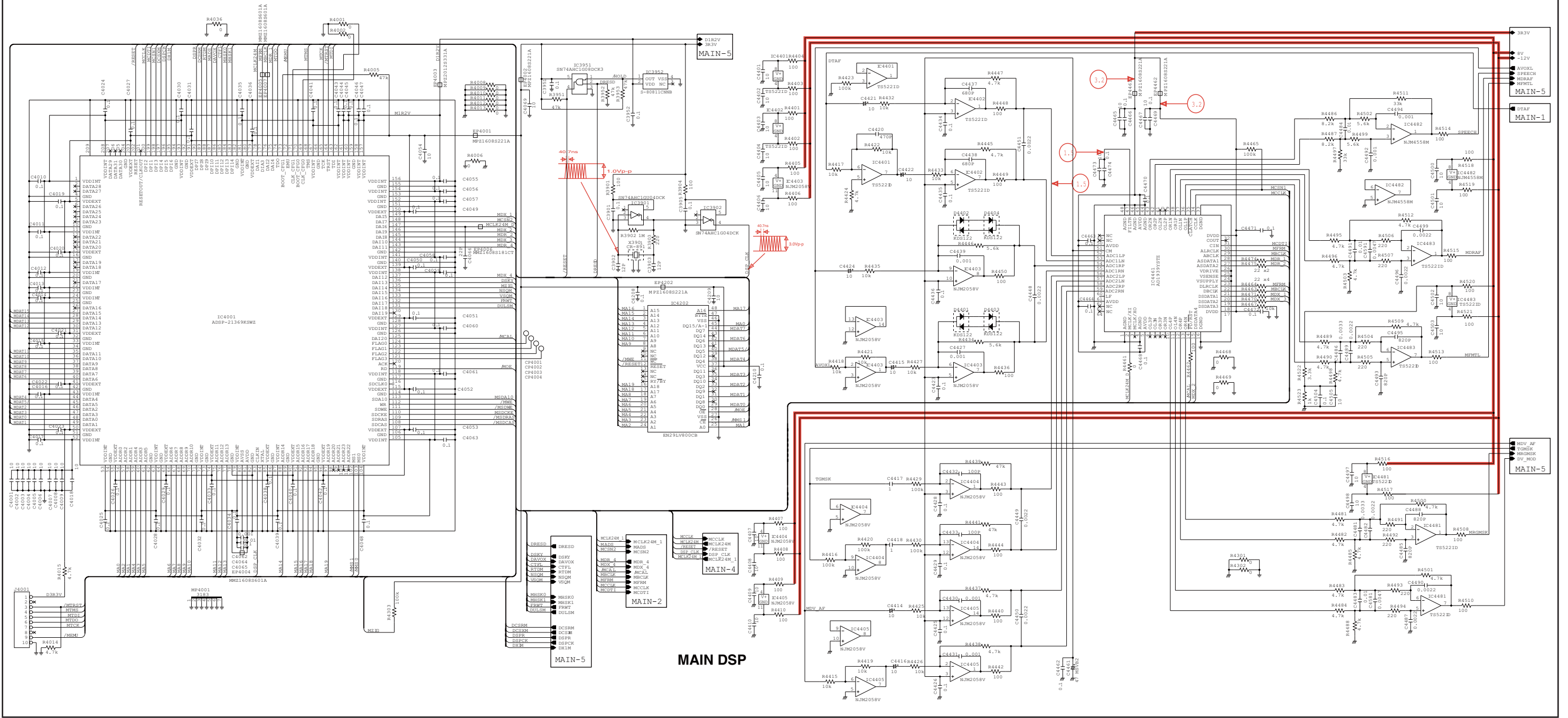
• CONNECT UNIT (CONNECT-3)



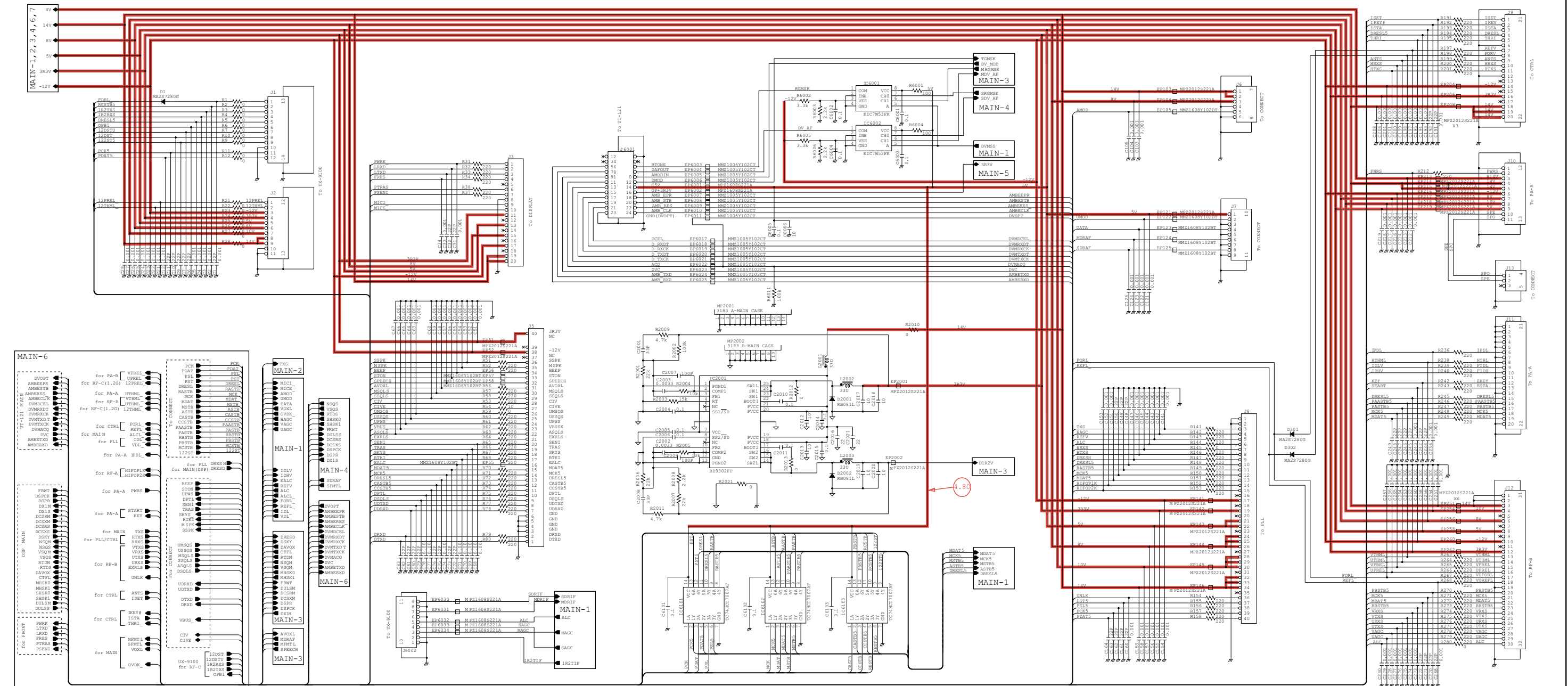
• MAIN UNIT (MAIN-1)



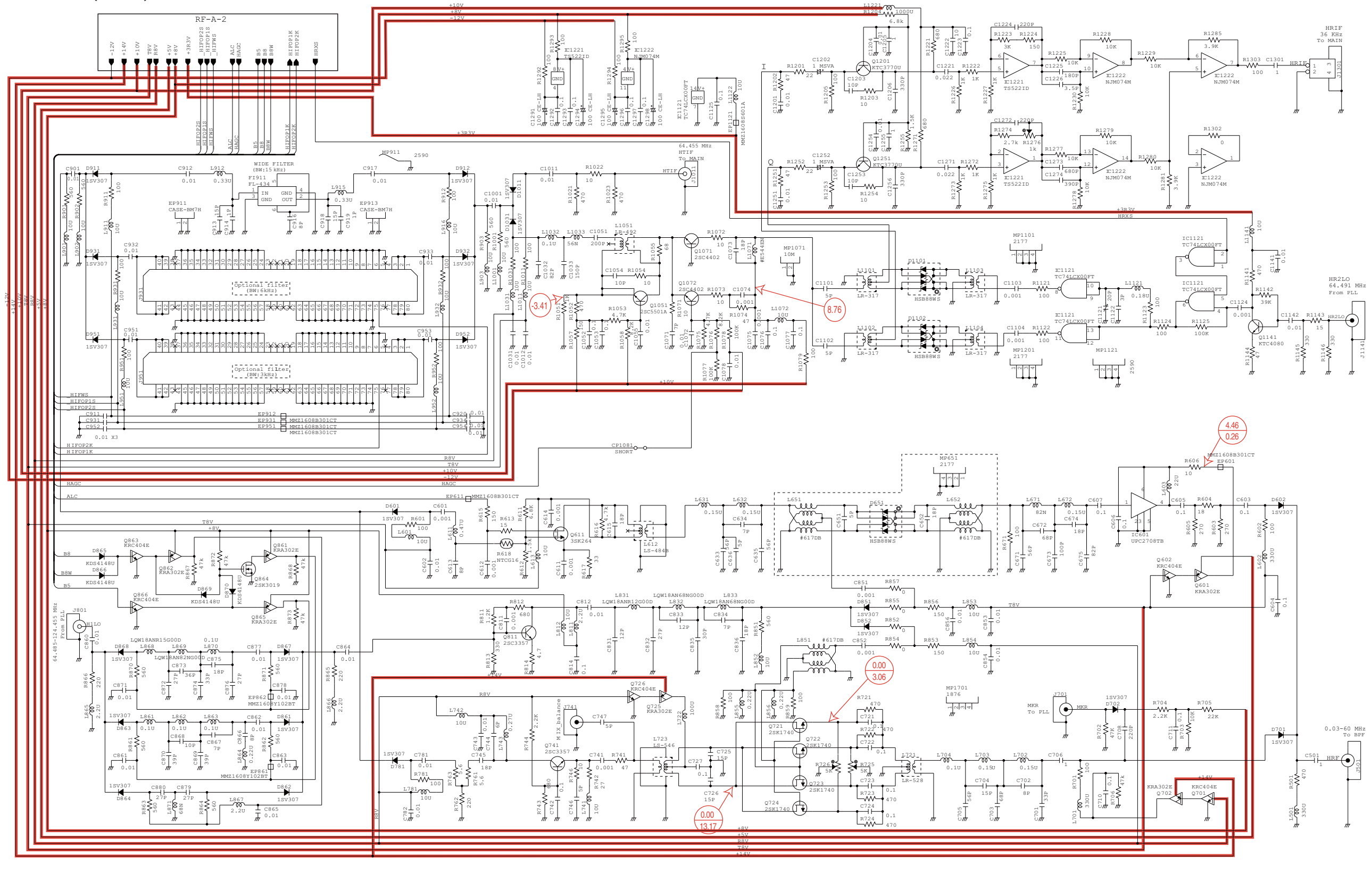
• MAIN UNIT (MAIN-3)



• MAIN UNIT (MAIN-5)

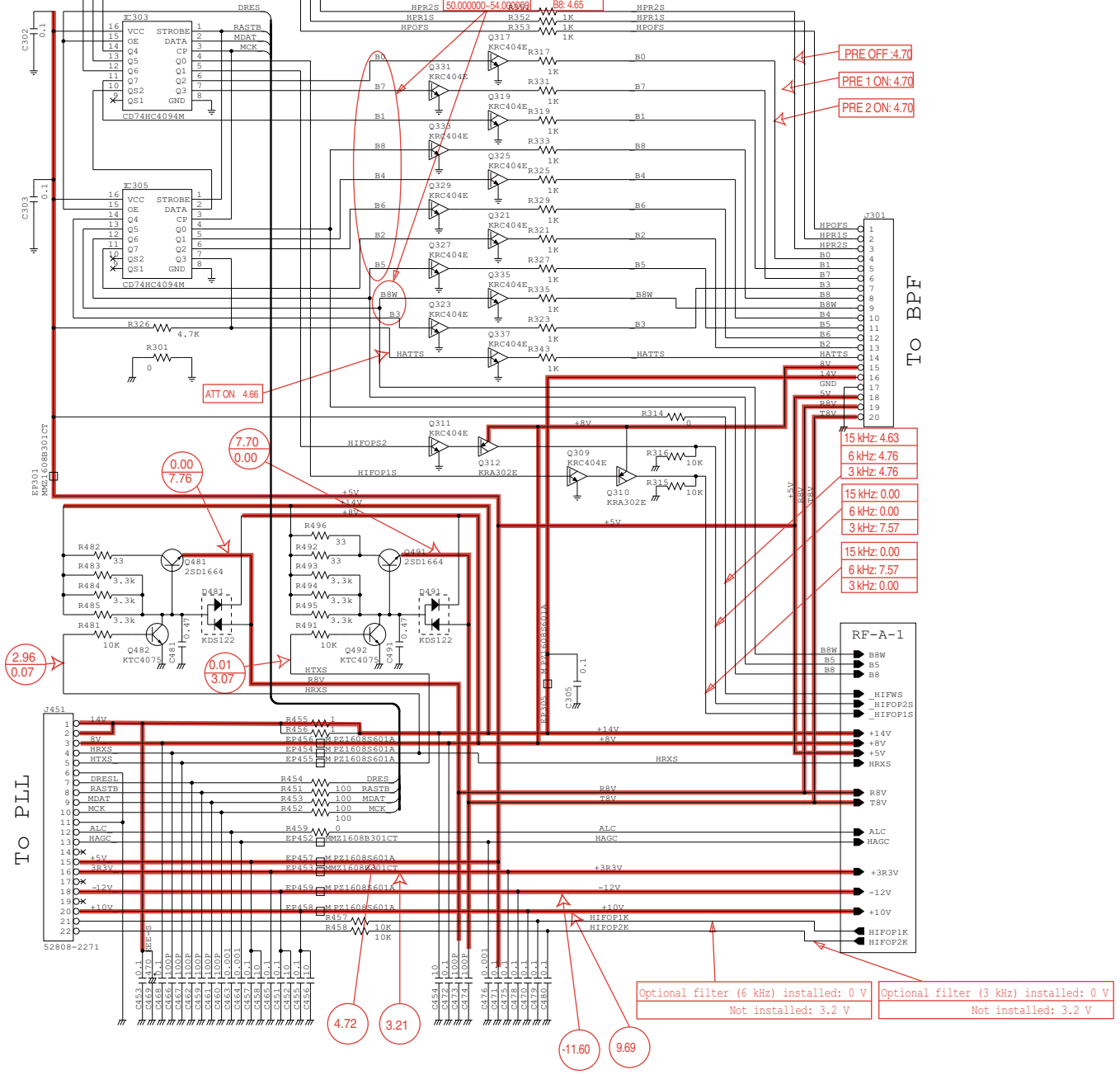


• RF-A UNIT (RF-A-1)

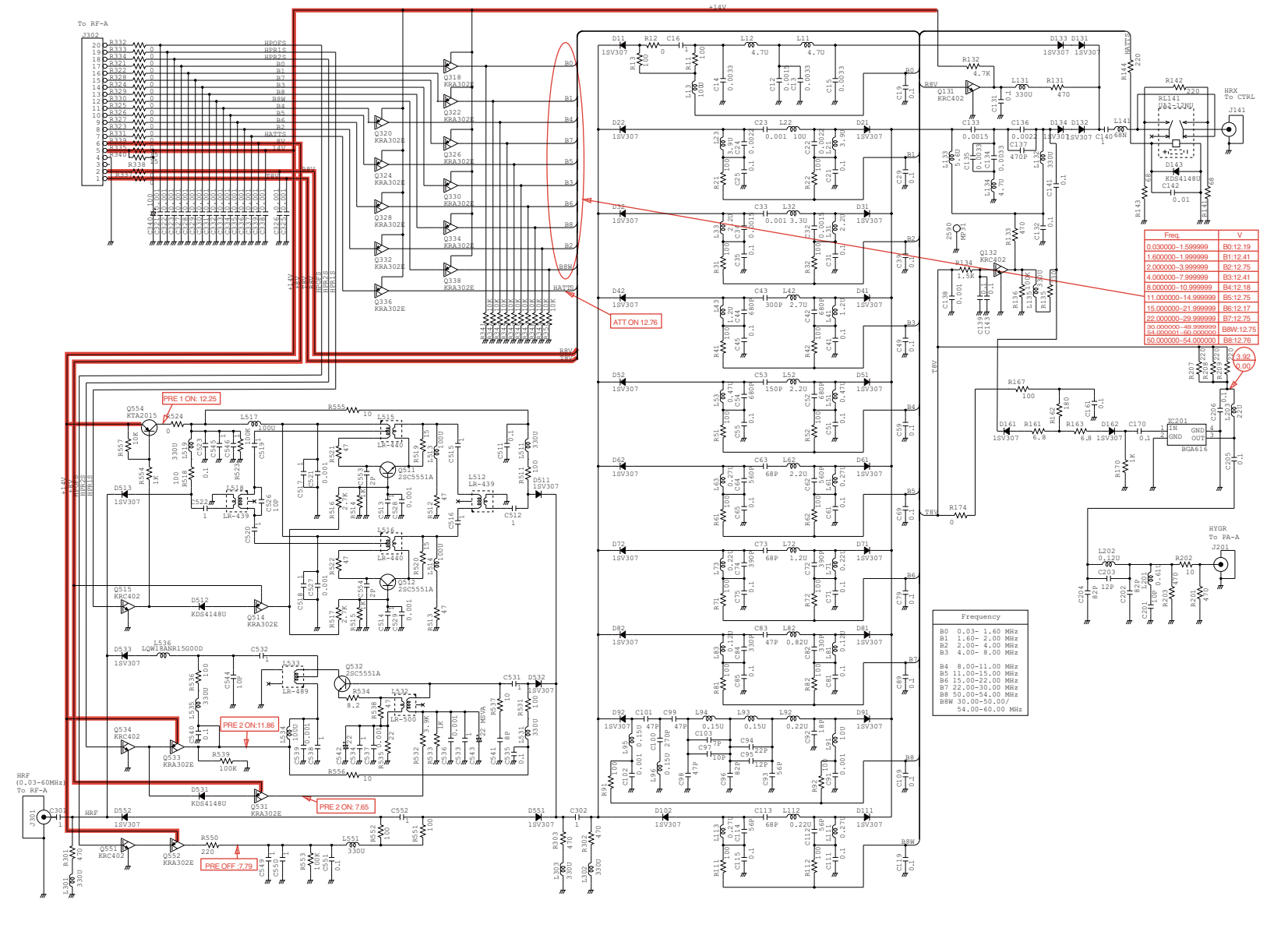


• RF-A UNIT (RF-A-2)

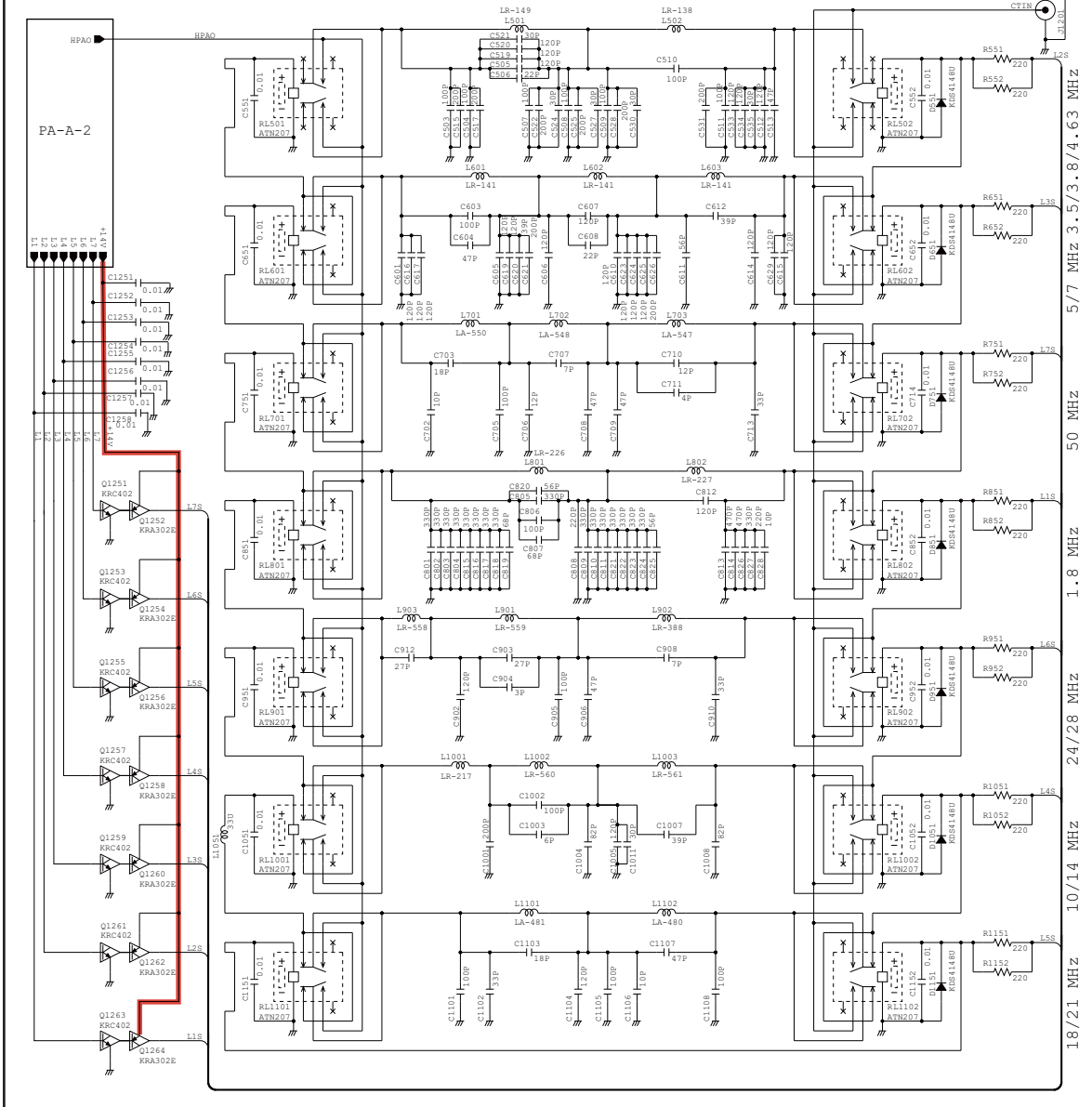
| Freq. (MHz) | VOLTAGE |
|-------------------|-----------|
| 0.00000-1.59999 | B0: 4.65 |
| 1.60000-3.19999 | B1: 4.65 |
| 3.20000-4.79999 | B2: 4.65 |
| 4.80000-6.39999 | B3: 4.65 |
| 6.40000-8.09999 | B4: 4.65 |
| 8.10000-9.79999 | B5: 4.65 |
| 9.80000-11.59999 | B6: 4.65 |
| 11.60000-13.39999 | B7: 4.65 |
| 13.40000-15.19999 | B8: 4.65 |
| 15.20000-17.09999 | B9: 4.65 |
| 17.10000-18.99999 | B10: 4.65 |
| 19.00000-20.99999 | B11: 4.65 |
| 21.00000-22.99999 | B12: 4.65 |
| 23.00000-24.99999 | B13: 4.65 |
| 25.00000-26.99999 | B14: 4.65 |
| 27.00000-28.99999 | B15: 4.65 |
| 29.00000-30.99999 | B16: 4.65 |
| 31.00000-32.99999 | B17: 4.65 |
| 33.00000-34.99999 | B18: 4.65 |
| 35.00000-36.99999 | B19: 4.65 |
| 37.00000-38.99999 | B20: 4.65 |
| 39.00000-40.99999 | B21: 4.65 |
| 41.00000-42.99999 | B22: 4.65 |
| 43.00000-44.99999 | B23: 4.65 |
| 45.00000-46.99999 | B24: 4.65 |
| 47.00000-48.99999 | B25: 4.65 |
| 49.00000-50.99999 | B26: 4.65 |
| 51.00000-52.99999 | B27: 4.65 |
| 53.00000-54.99999 | B28: 4.65 |



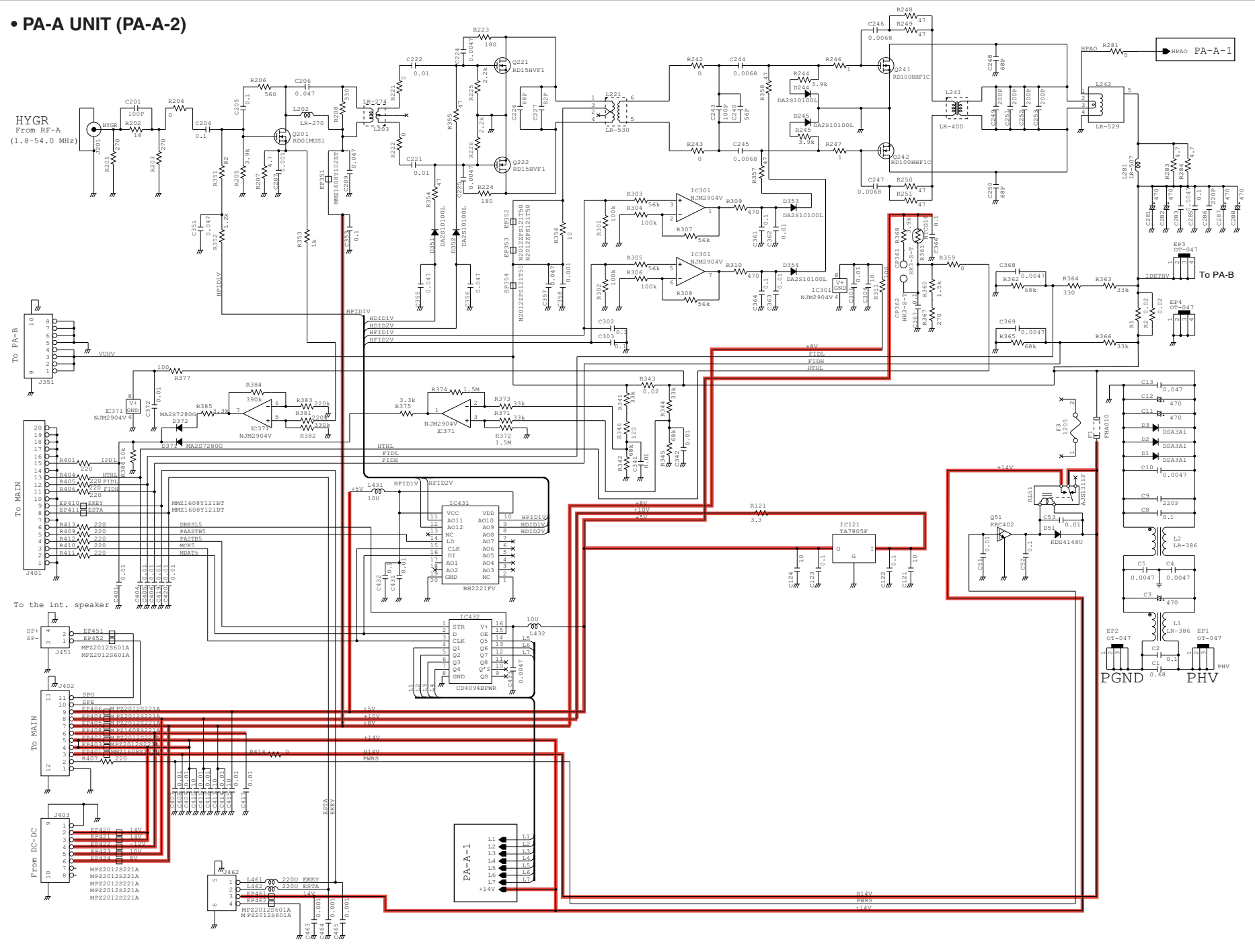
• BPF UNIT



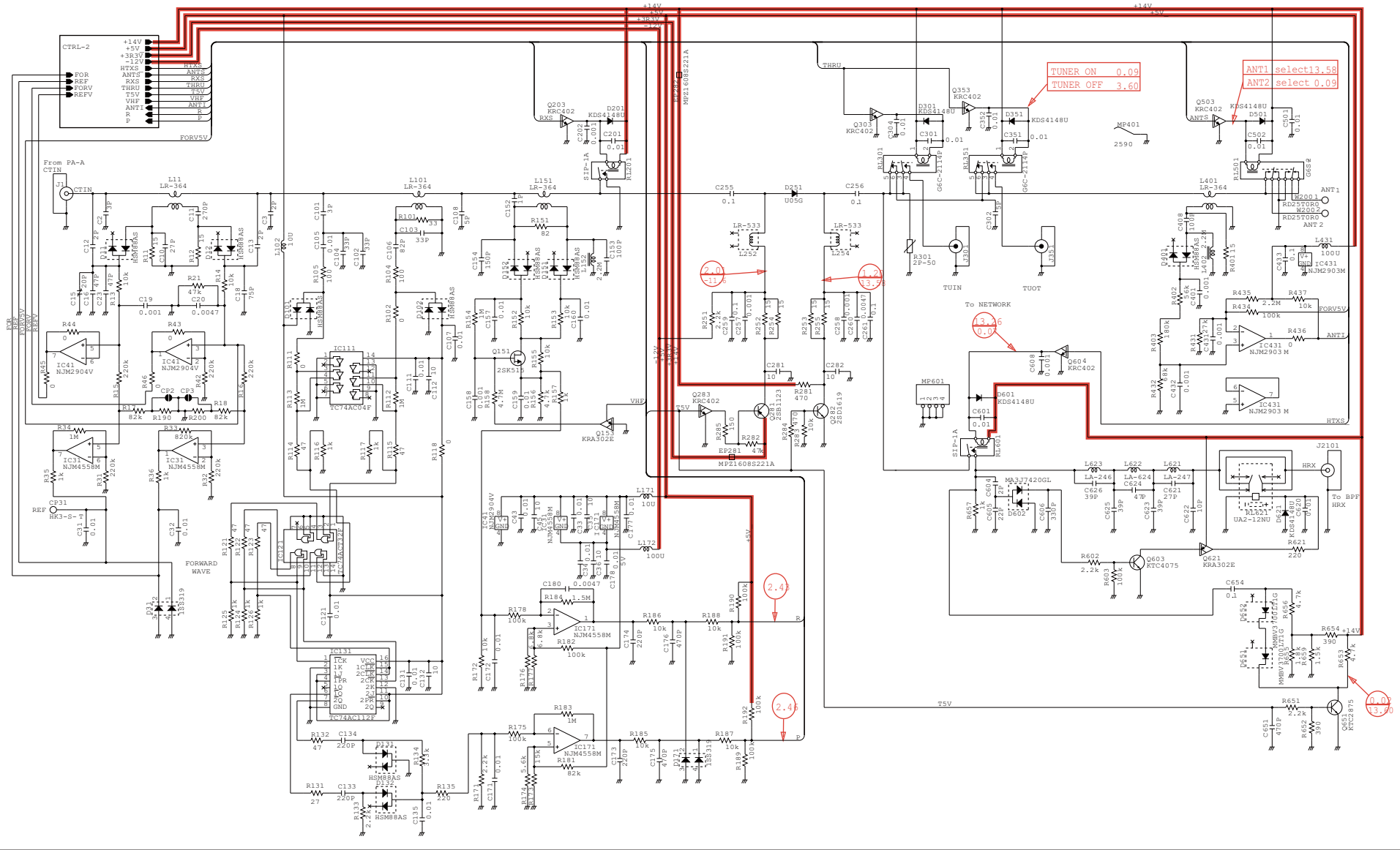
• PA-A UNIT (PA-A-1)



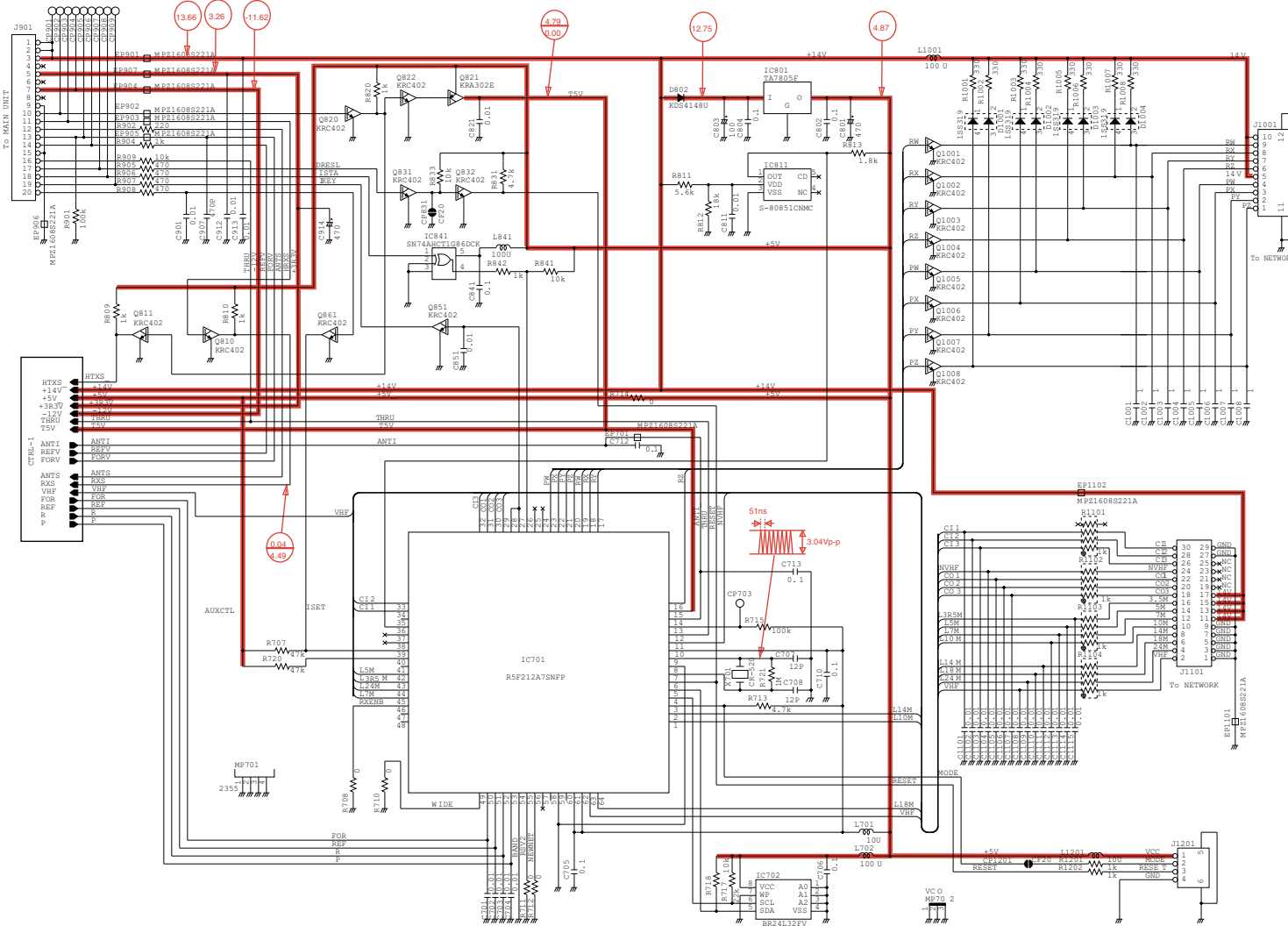
• PA-A UNIT (PA-A-2)



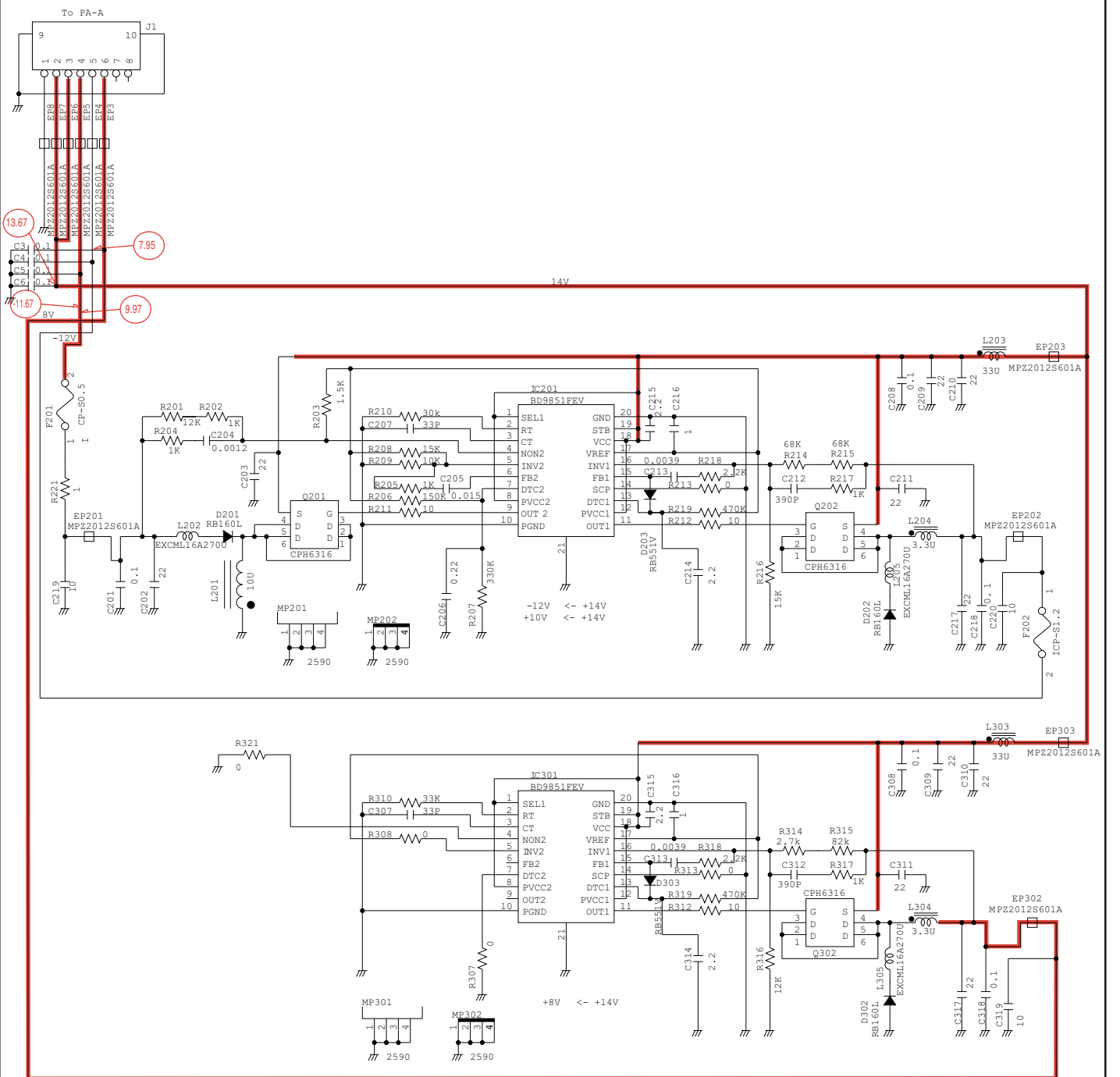
• CTRL UNIT (CTRL-1)



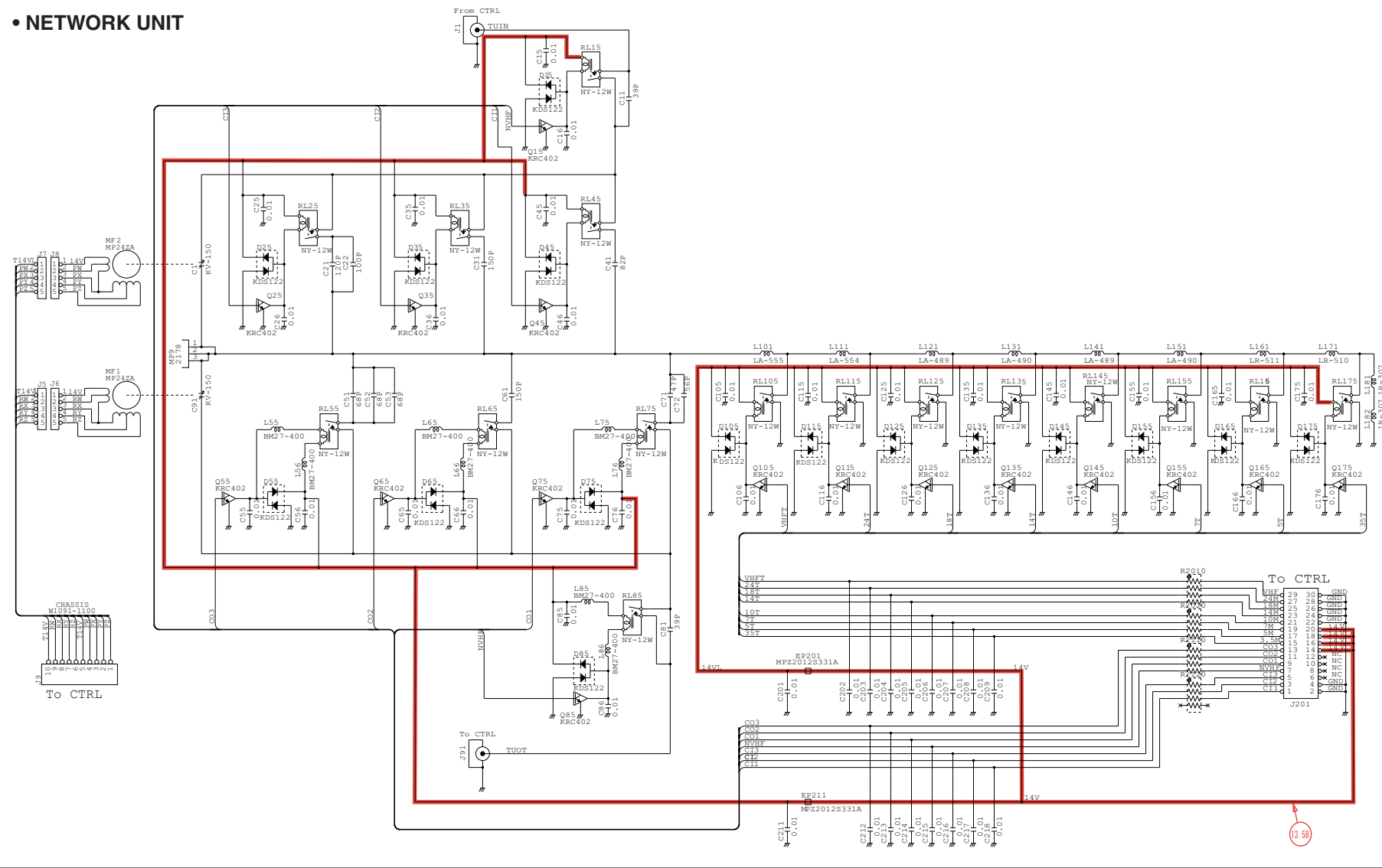
• CTRL UNIT (CTRL-2)



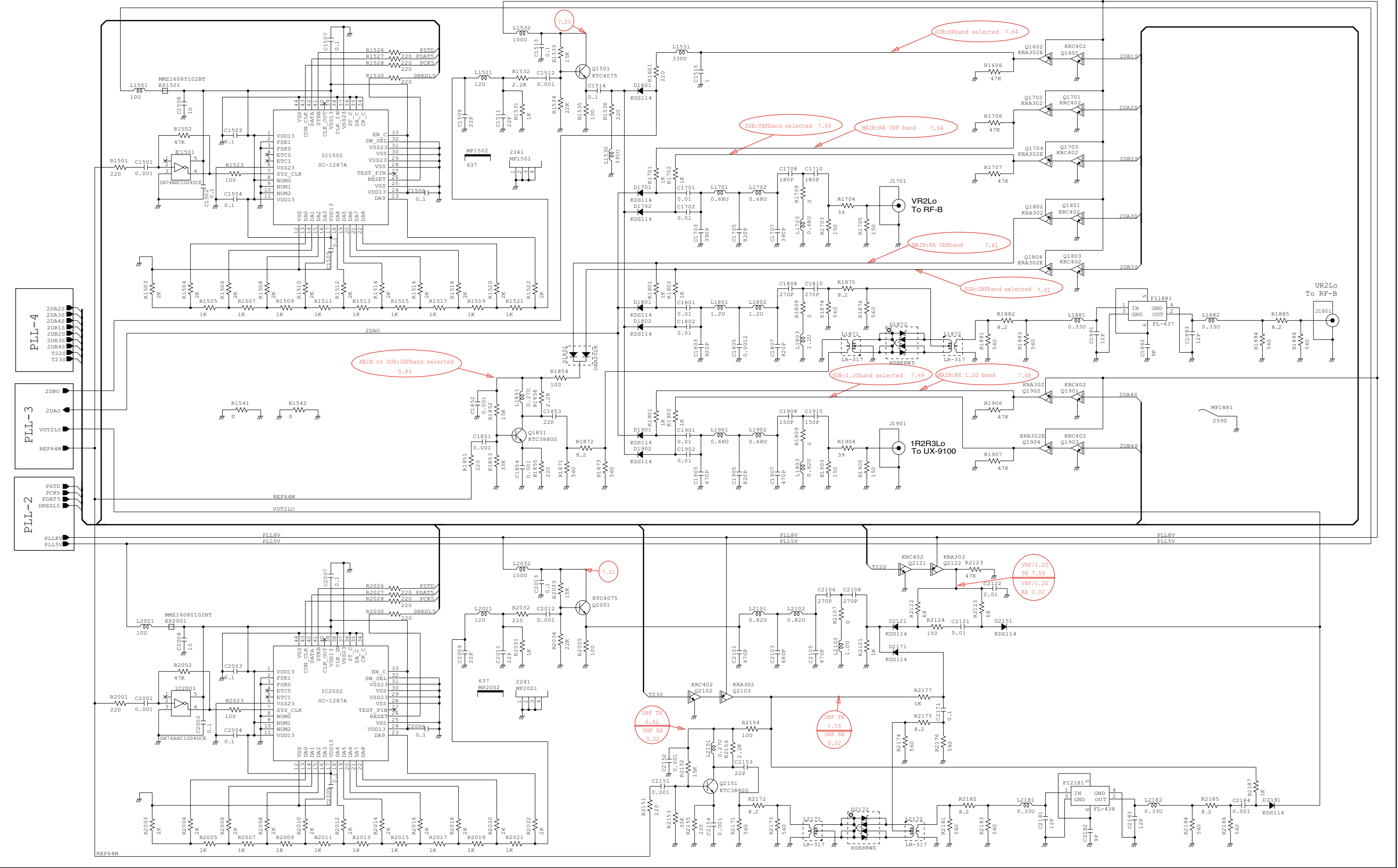
• DC-DC UNIT



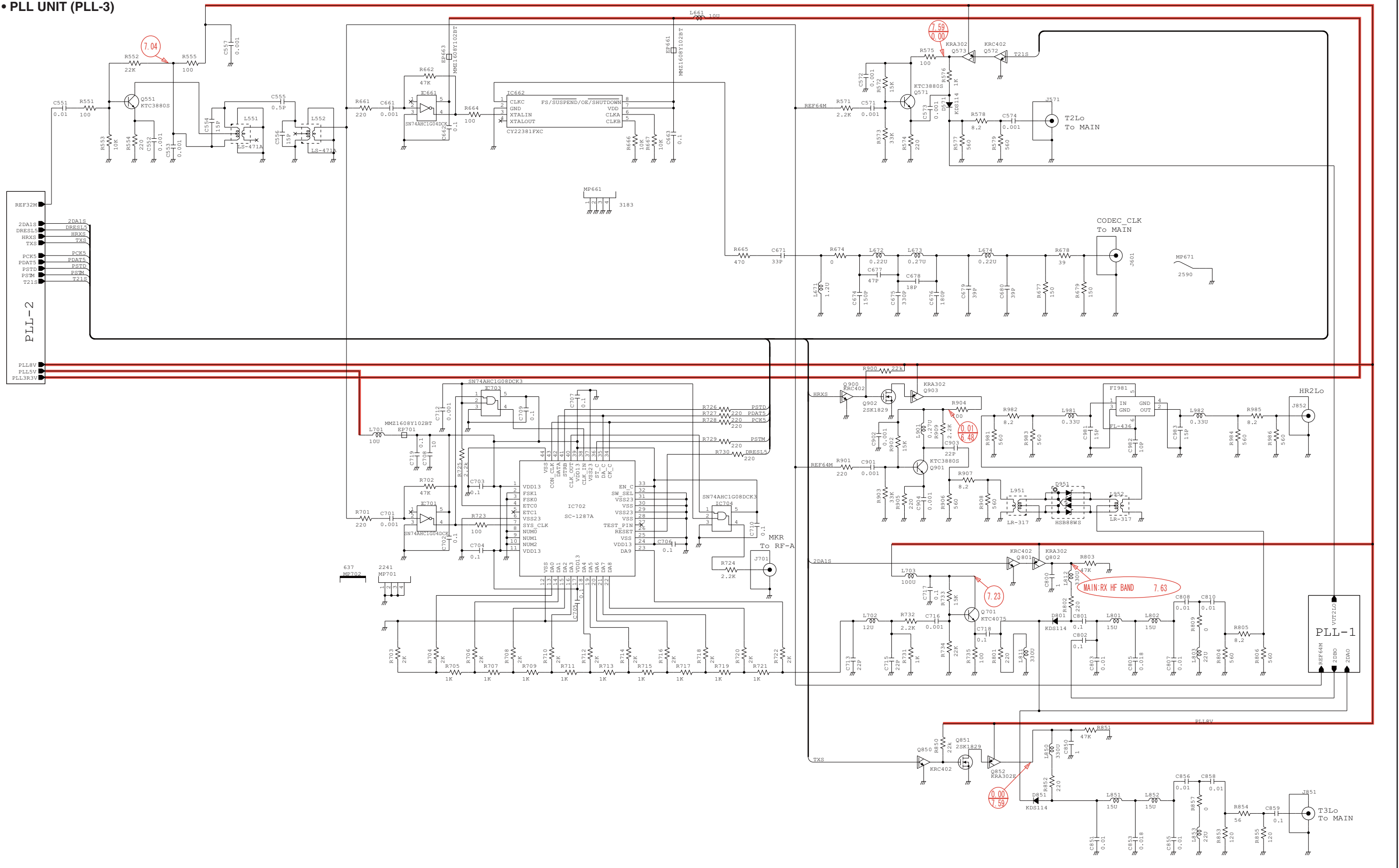
• NETWORK UNIT



• PLL UNIT (PLL-1)



• PLL UNIT (PLL-3)



Icom Inc.

1-1-32, Kamiminami, Hirano-ku, Osaka 547-0003, Japan
Phone : +81 (06) 6793 5302
Fax : +81 (06) 6793 0013
URL : <http://www.icom.co.jp/world/index.html>

Icom America Inc.

<Corporate Headquarters>
2380 116th Avenue N.E., Bellevue, WA 98004, U.S.A.
Phone : +1 (425) 454-8155 Fax : +1 (425) 454-1509
URL : <http://www.icomamerica.com>
E-mail : sales@icomamerica.com
<Customer Service>
Phone : +1 (425) 454-7619

Icom Canada

Glenwood Centre #150-6165
Highway 17 Delta, B.C., V4K 5B8, Canada
Phone : +1 (604) 952-4266 Fax : +1 (604) 952-0090
URL : <http://www.icomcanada.com>
E-mail : info@icomcanada.com

Icom (Australia) Pty. Ltd.

Unit 1 / 103 Garden Road, Clayton VIC 3168 Australia
Phone : +61 (03) 9549-7500 Fax : +61 (03) 9549-7505
URL : <http://www.icom.net.au>
E-mail : sales@icom.net.au

Icom New Zealand

146A Harris Road, East Tamaki,
Auckland, New Zealand
Phone : +64 (09) 274 4062 Fax : +64 (09) 274 4708
URL : <http://www.icom.co.nz>
E-mail : inquiries@icom.co.nz

Beijing Icom Ltd.

10C07, Long silver Mansion, No.88, Yong Ding
Road, Haidian District, Beijing, 100039, China
Phone : +86 (010) 5889 5391/5392/5393
Fax : +86 (010) 5889 5395
E-mail : bjicom@bjicom.com
URL : <http://www.bjicom.com>

Icom (Europe) GmbH

Communication Equipment
Auf der Krautweide 24
65812 Bad Soden am Taunus, Germany
Phone : +49 (6196) 76685-0 Fax : +49 (6196) 76685-50
URL : <http://www.icomeurope.com>
E-mail : info@icomeurope.com

Icom Spain S.L

Ctra. Rubi, No. 88 Bajos A 08174, Sant Cugat del Valles, Barcelona, Spain
Phone : +34 (93) 590 26 70 Fax : +34 (93) 589 04 46
URL : <http://www.icomspain.com>
E-mail : icom@icomspain.com

Icom (UK) Ltd.

Blacksole House, The Boulevard, Altira Business Park, Herne Bay, CT6 6GZ, UK
Phone : +44 (01227) 741741 Fax : +44 (01227) 741742
URL : <http://www.icomuk.co.uk>
E-mail : info@icomuk.co.uk

Icom France s.a.s.

Zac de la Plaine
1 Rue Brindejonc des Moulinais BP 5804
31505 Toulouse Cedex, France
Phone : +33 (5) 61 36 03 03 Fax : +33 (5) 61 36 03 00
URL : <http://www.icom-france.com>
E-mail : icom@icom-france.com

Asia Icom Inc.

6F No.68, Sec. 1 Cheng-Teh Road, Taipei, Taiwan, R.O.C.
Phone : +886 (02) 2559 1899 Fax : +886 (02) 2559 1874
URL : <http://www.asia-icom.com>
E-mail : sales@asia-icom.com

Icom Polska

81-850 Sopot, ul. 3 Maja 54, Poland
Phone : +48 (58) 550 7135 Fax : +48 (58) 551 0484
E-mail : icompolska@icompolska.com.pl

Count on us!

Icom Inc.

1-1-32, Kamiminami, Hirano-ku, Osaka 547-0003, Japan

S-14721XZ-C1
© 2011 Icom Inc.