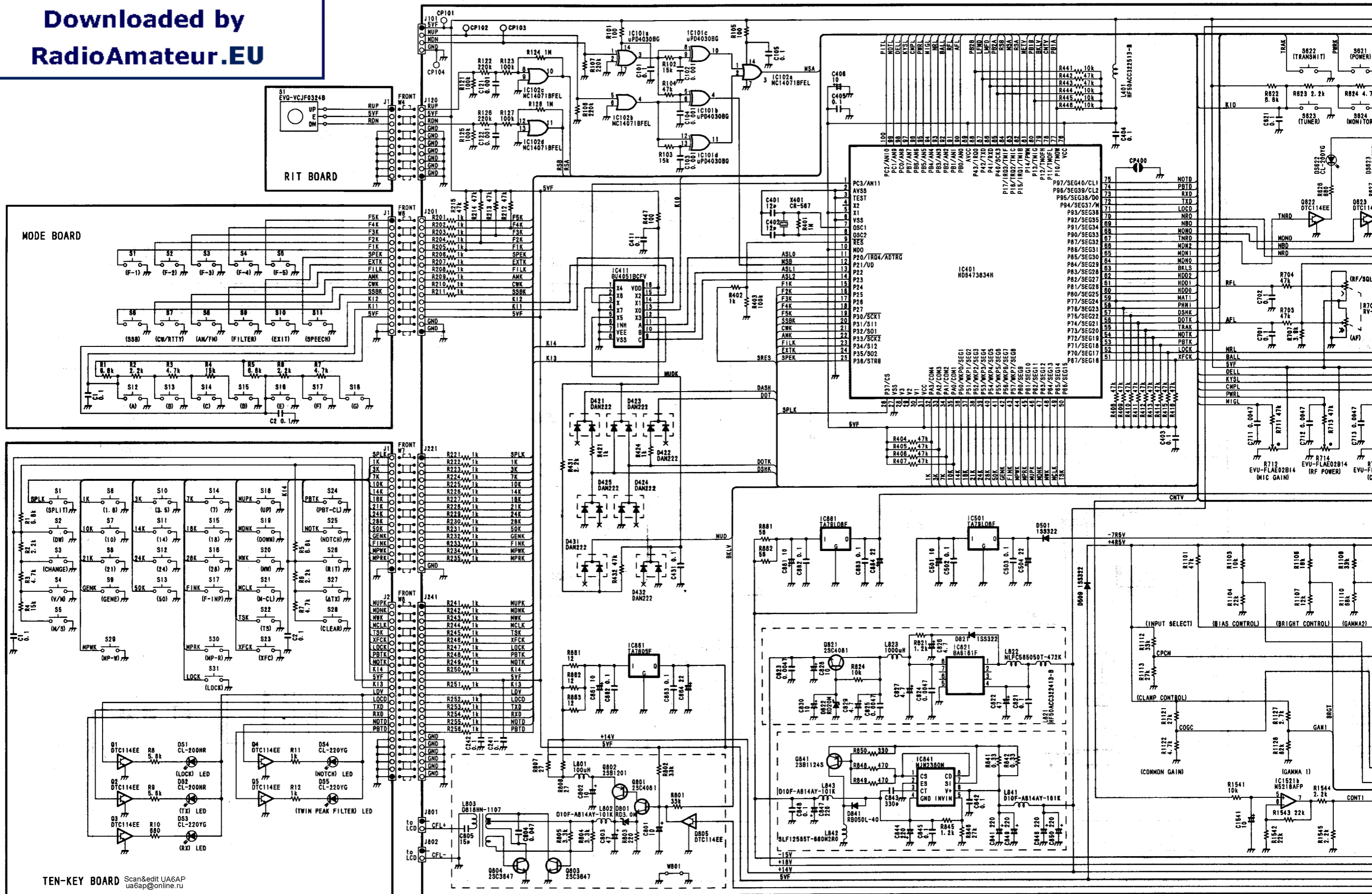
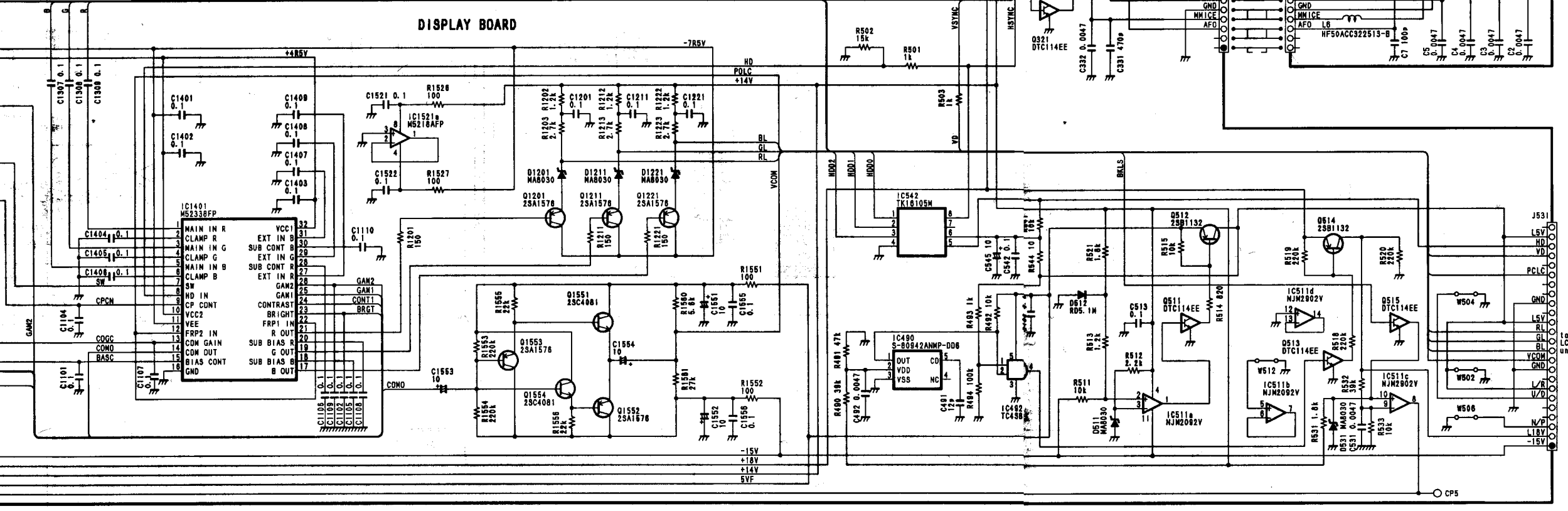
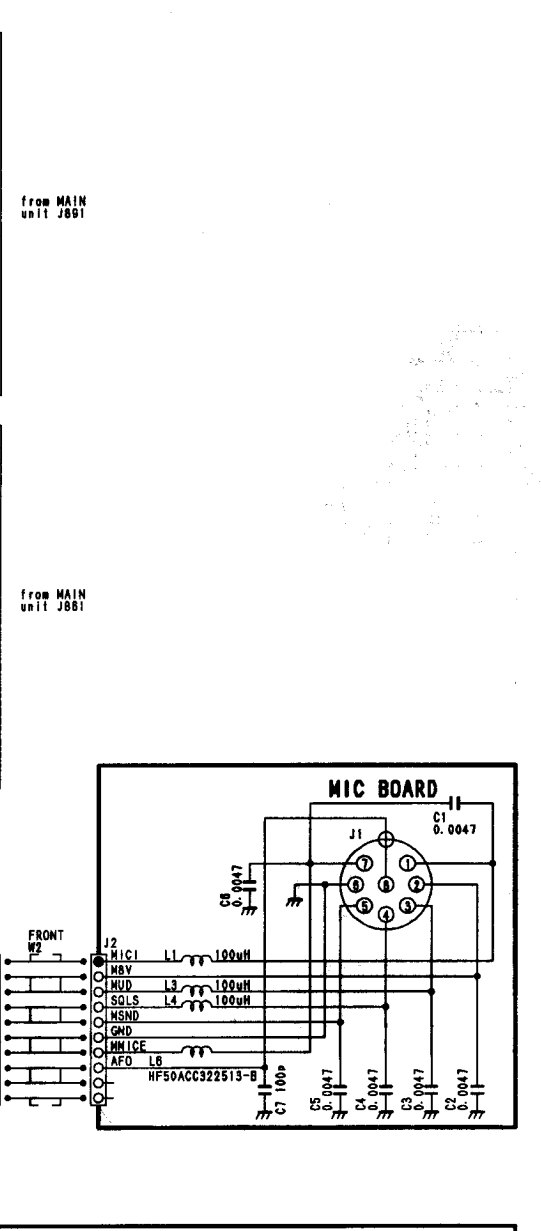
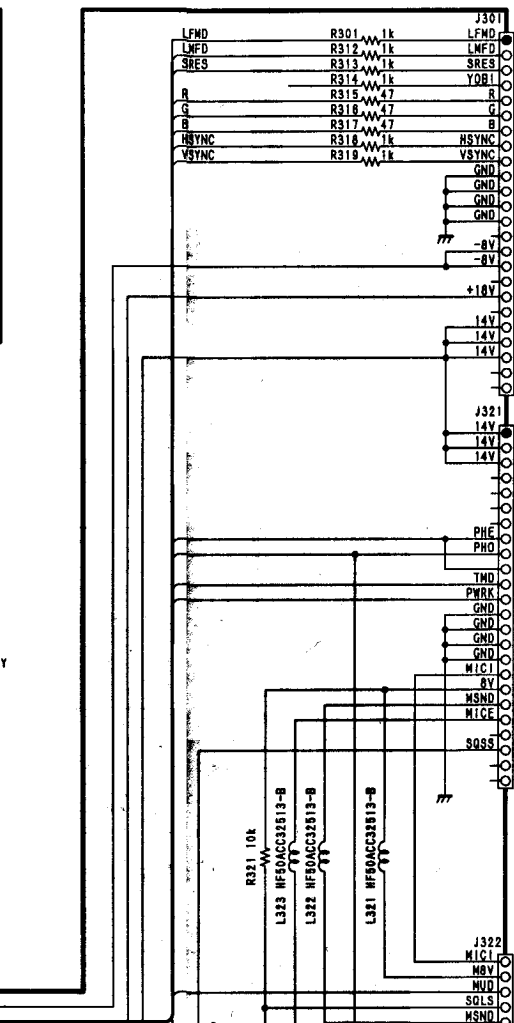
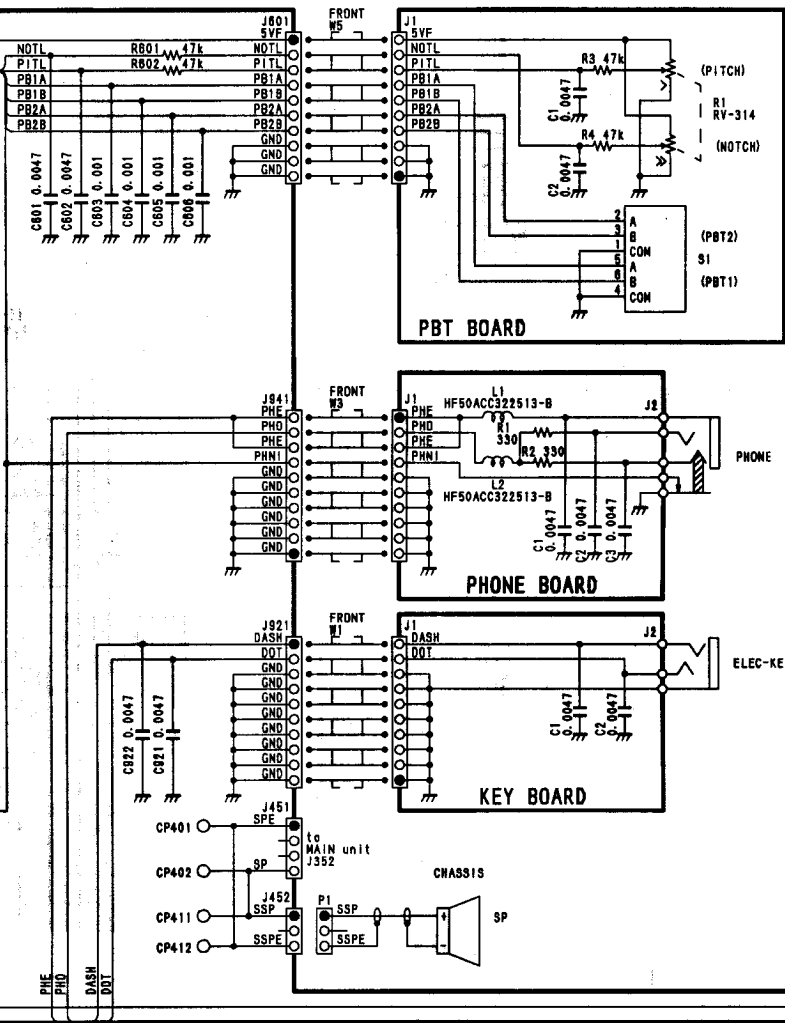
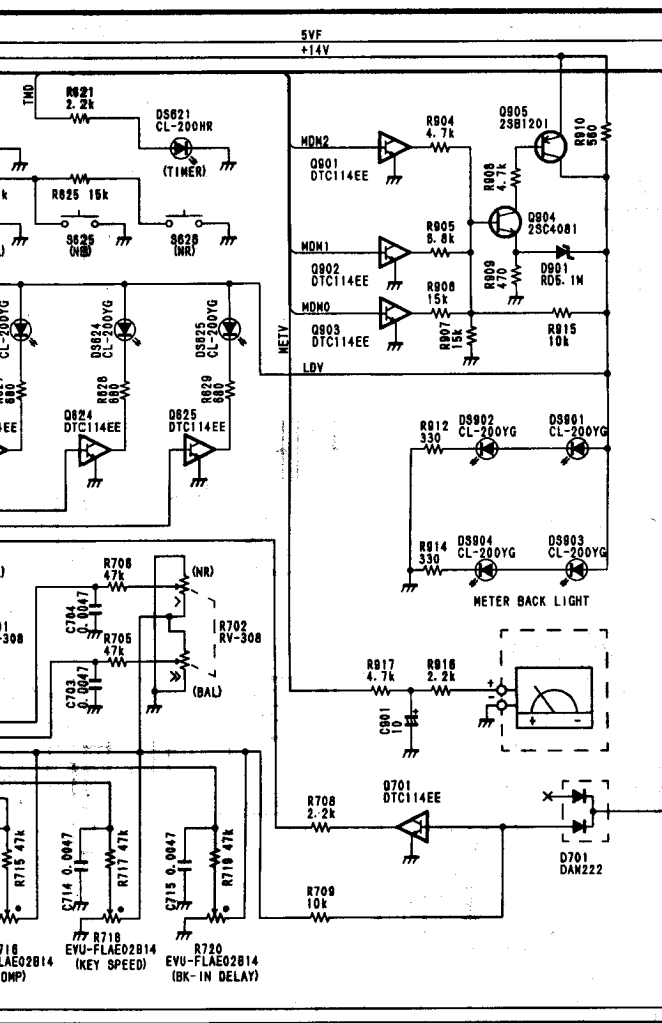
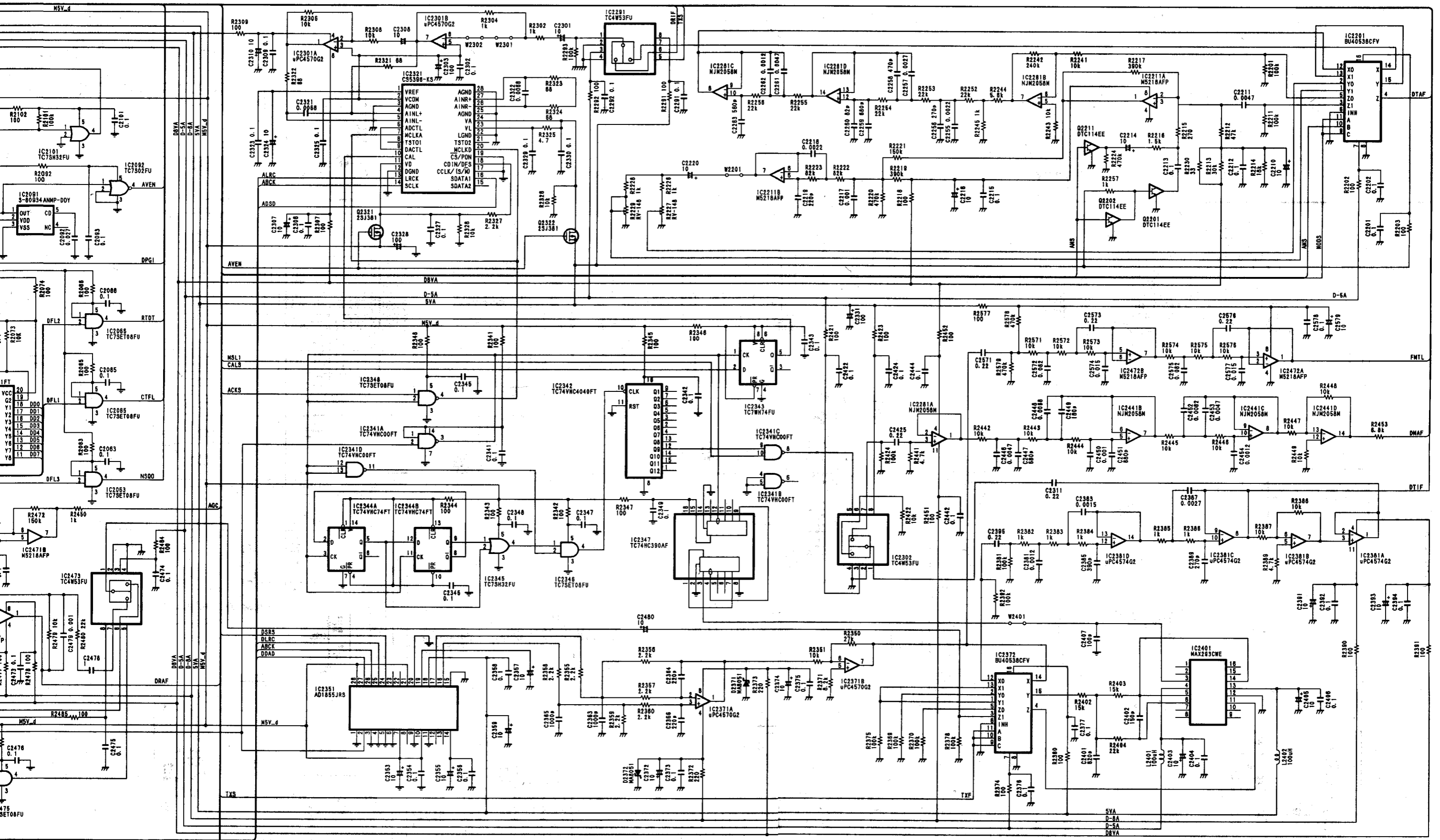


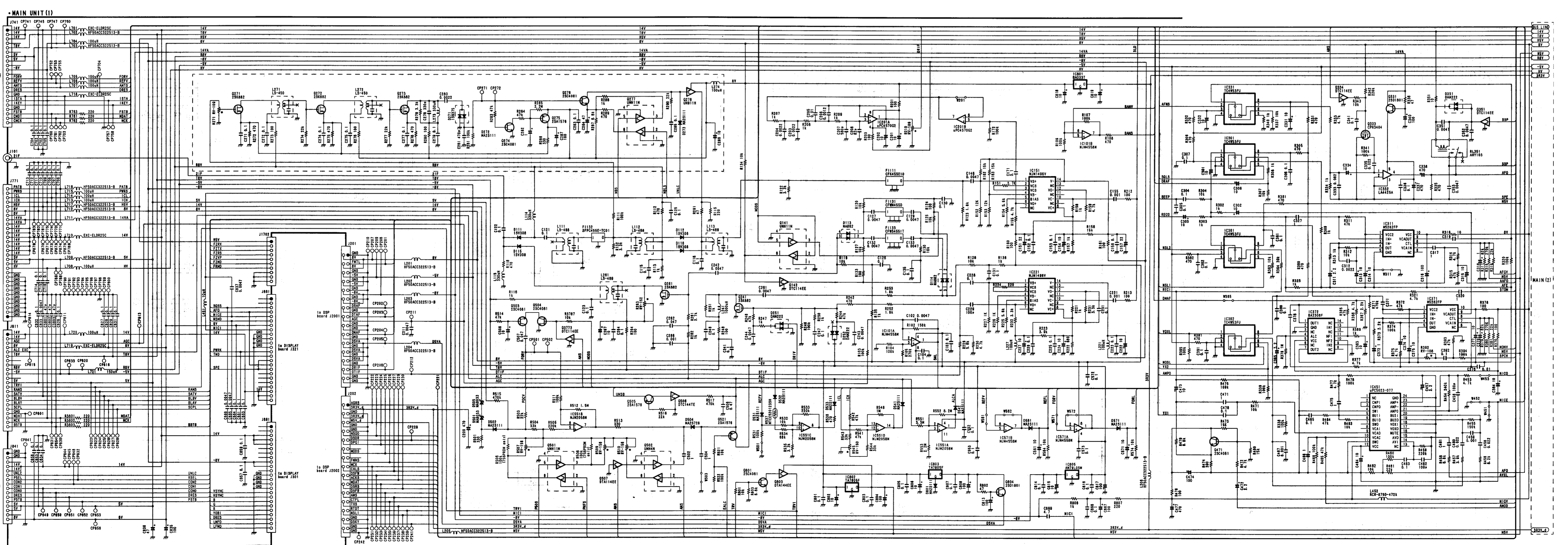
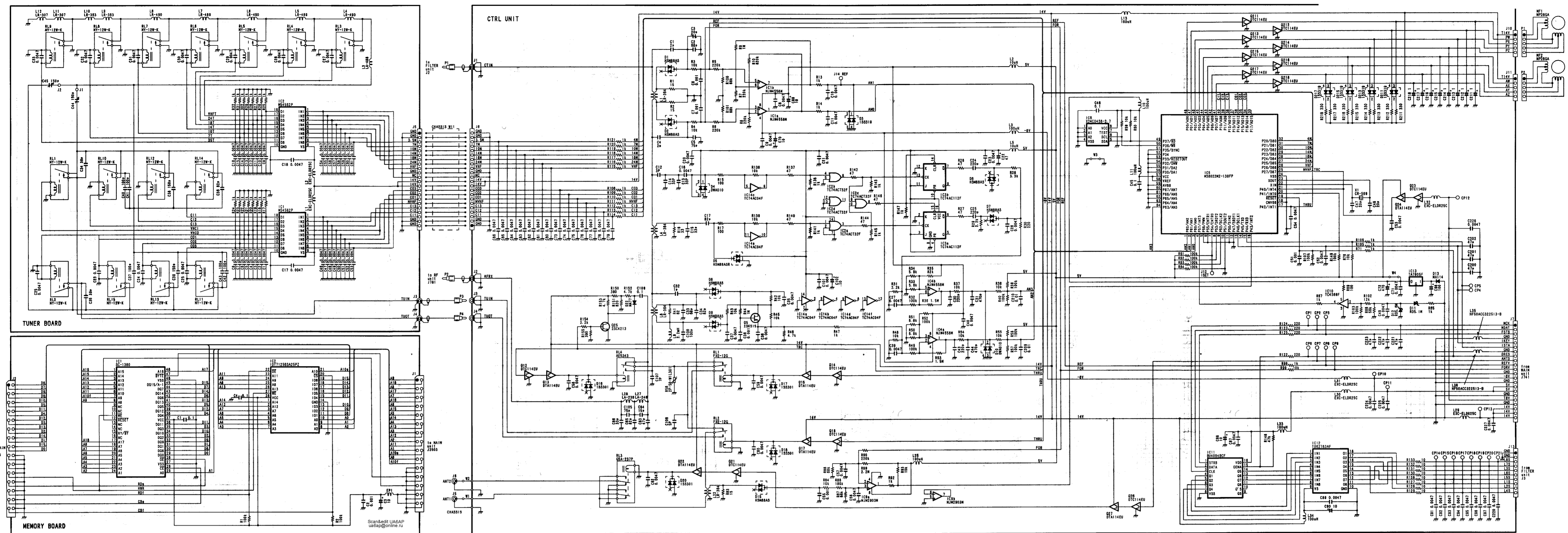
Downloaded by RadioAmateur.EU





to CD unit

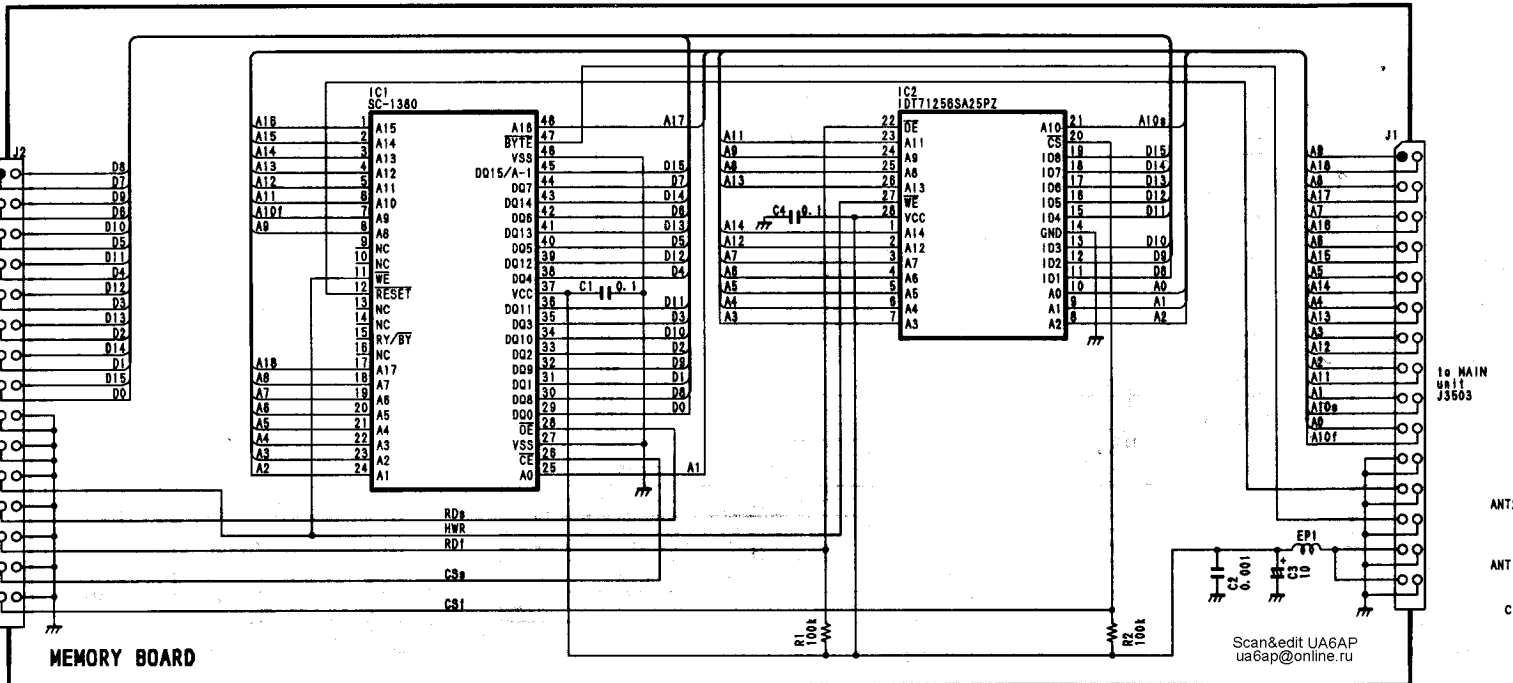
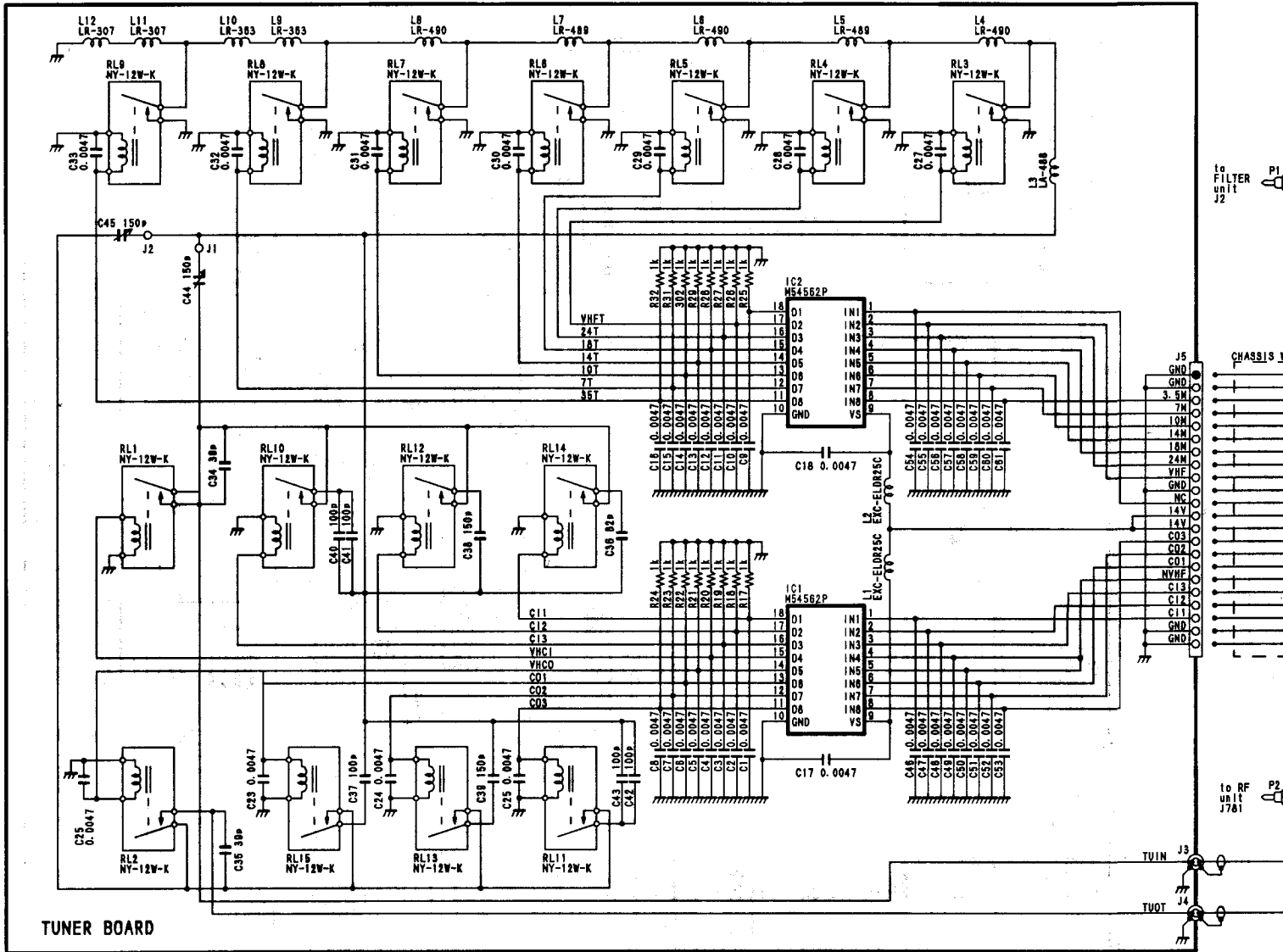




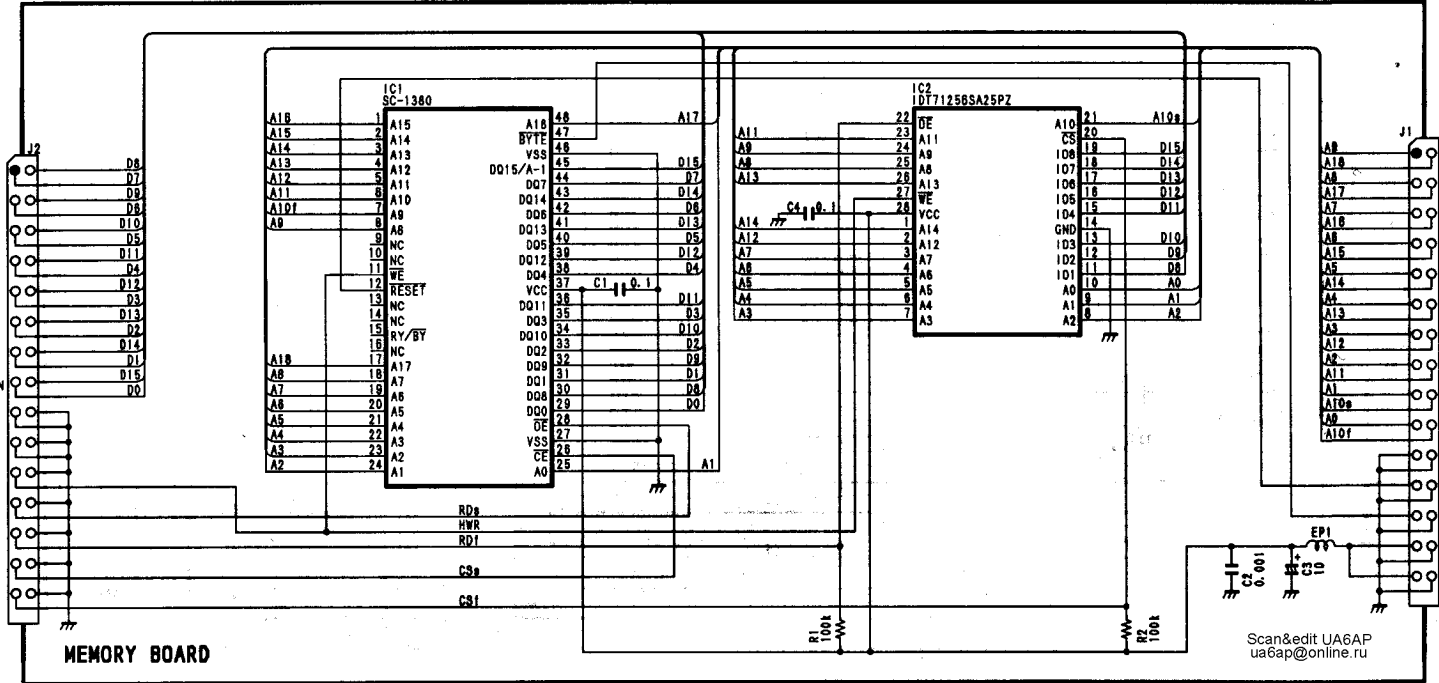
To upgrade quality, some components may be subject to change without notice.

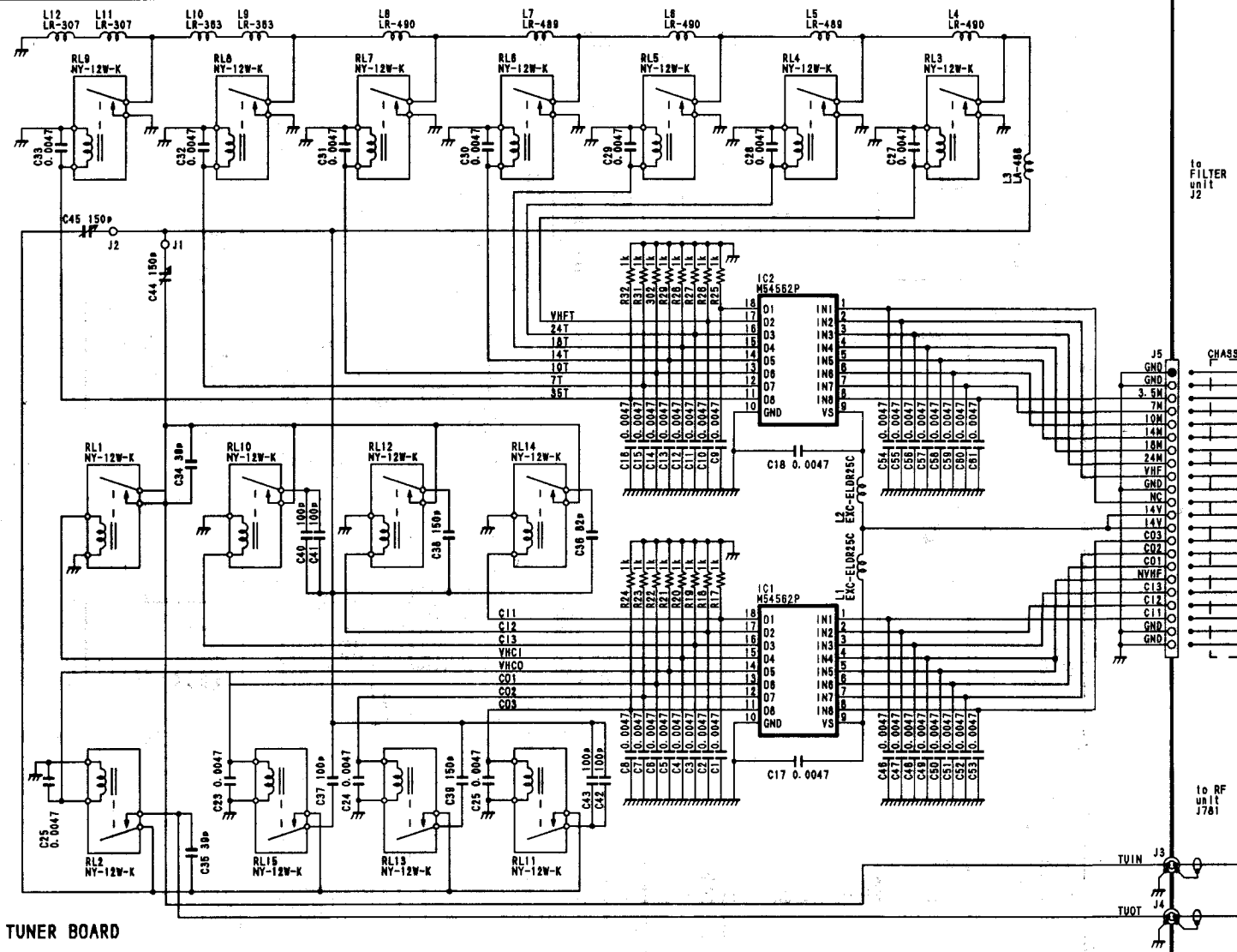
A-5624H-3G
Printed in Japan
© 1999 Icom Inc.

Icom Inc.



to MAIN
unit
J3504





TUNER BOARD

to FILTER unit J2

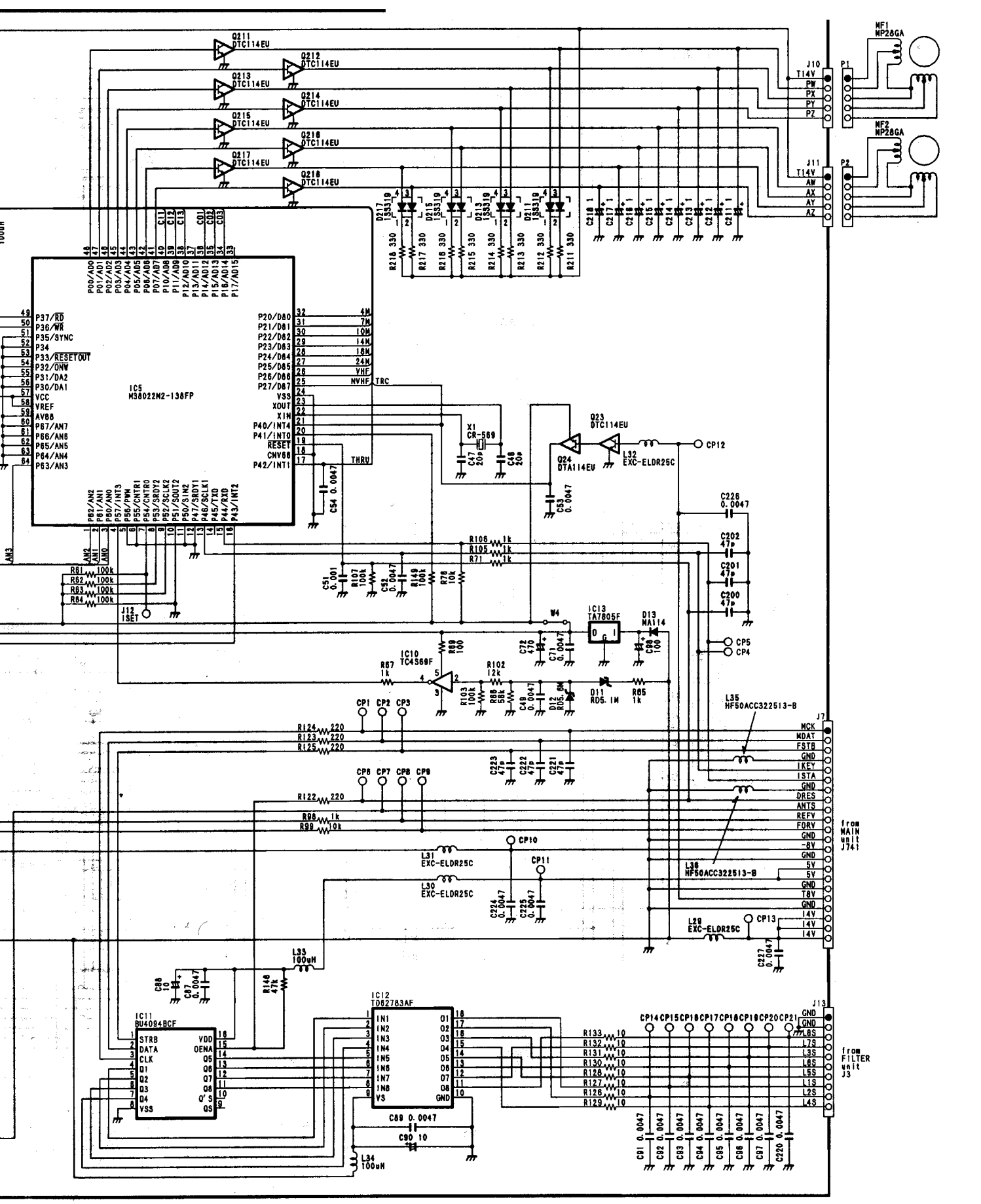
CHASSI

to RF unit J781

TUIN J3

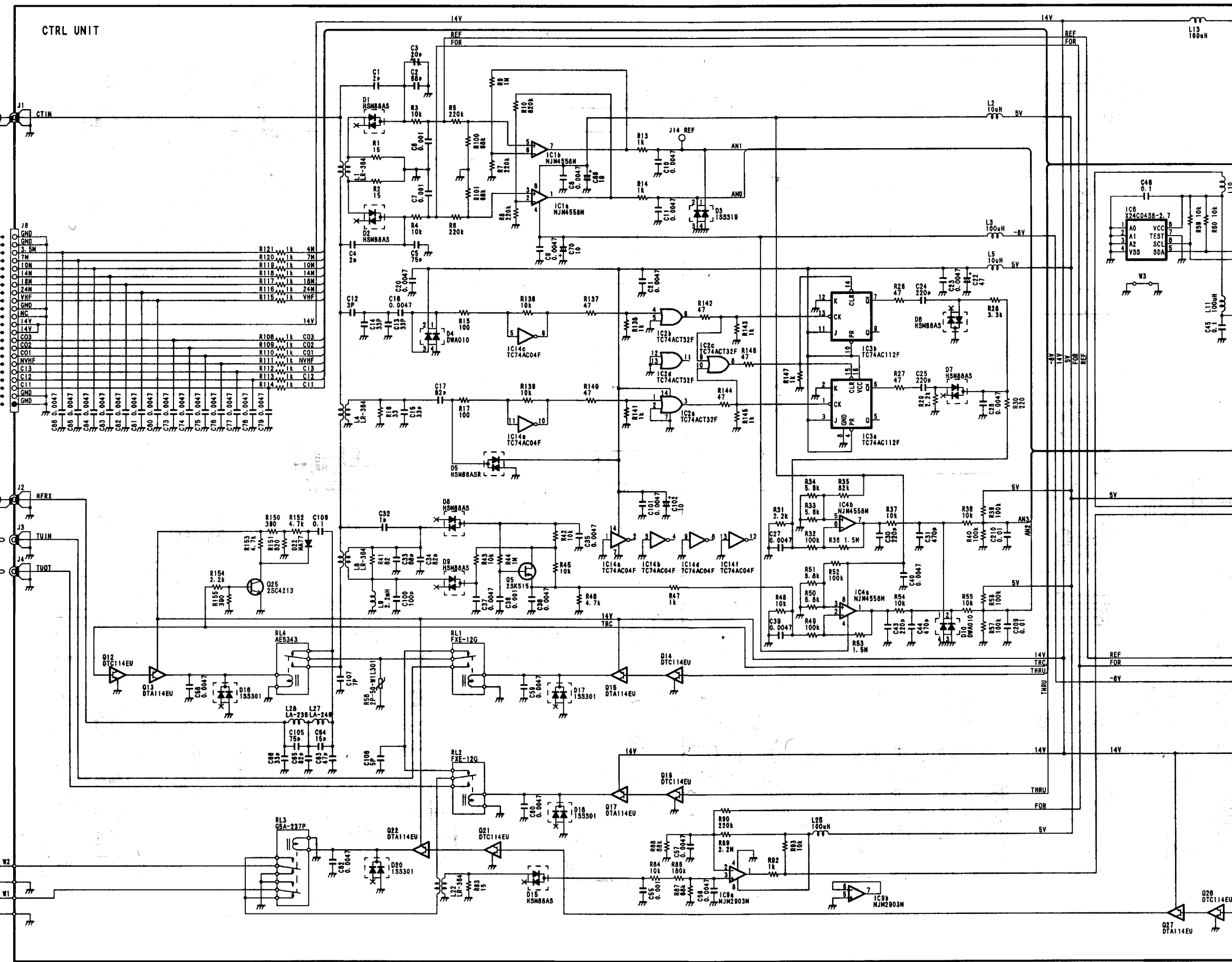
TUOT J4

- J5 GND
- GND
- GND
- 3.5M
- 7M
- 10M
- 14M
- 18M
- 24M
- VHF
- GND
- NC
- 14V
- 14V
- CO2
- CO1
- NVHF
- C13
- C12
- C11
- GND
- GND

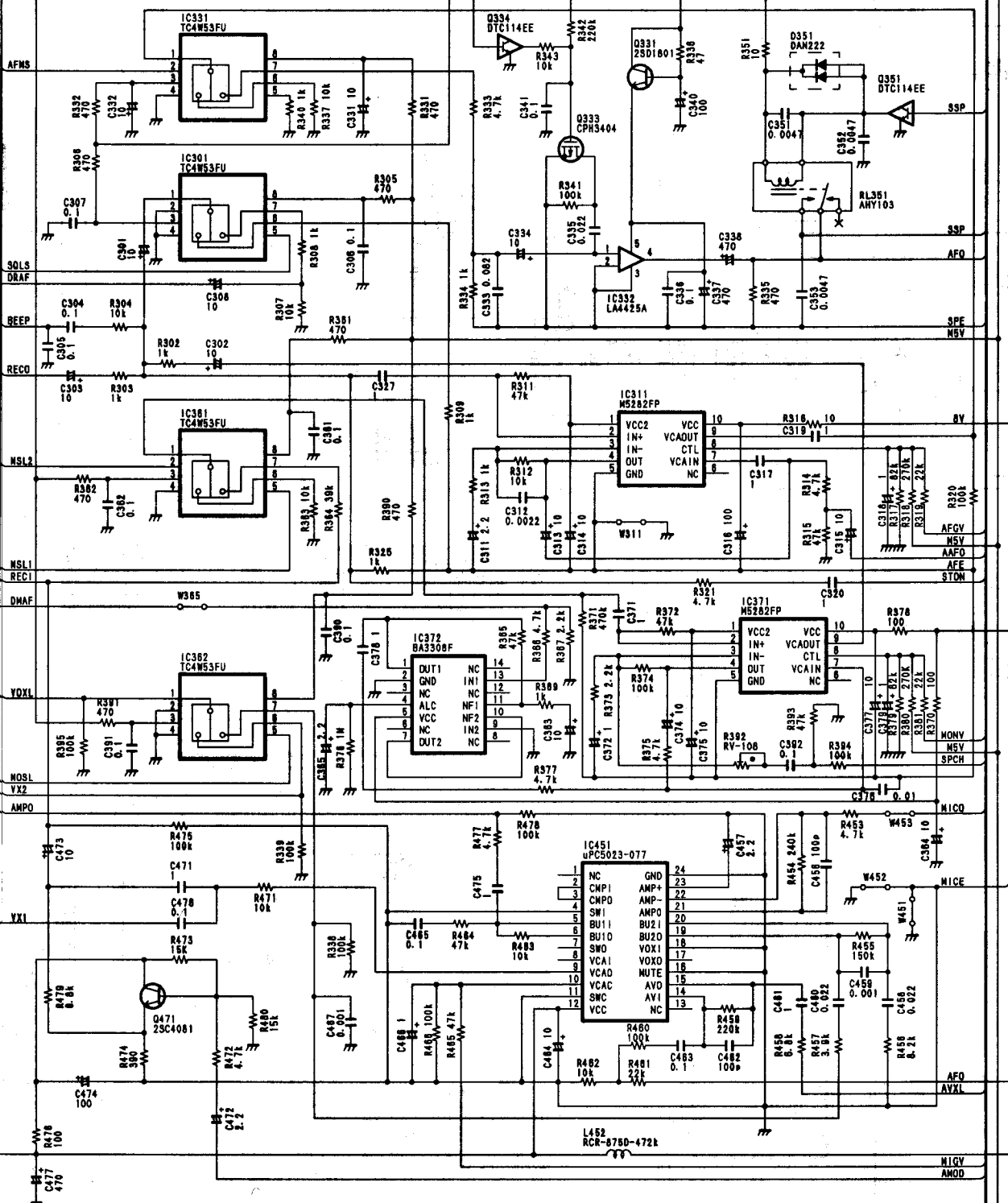


SCHMATIC DIAGRAM

Downloaded by
RadioAmateur.EU

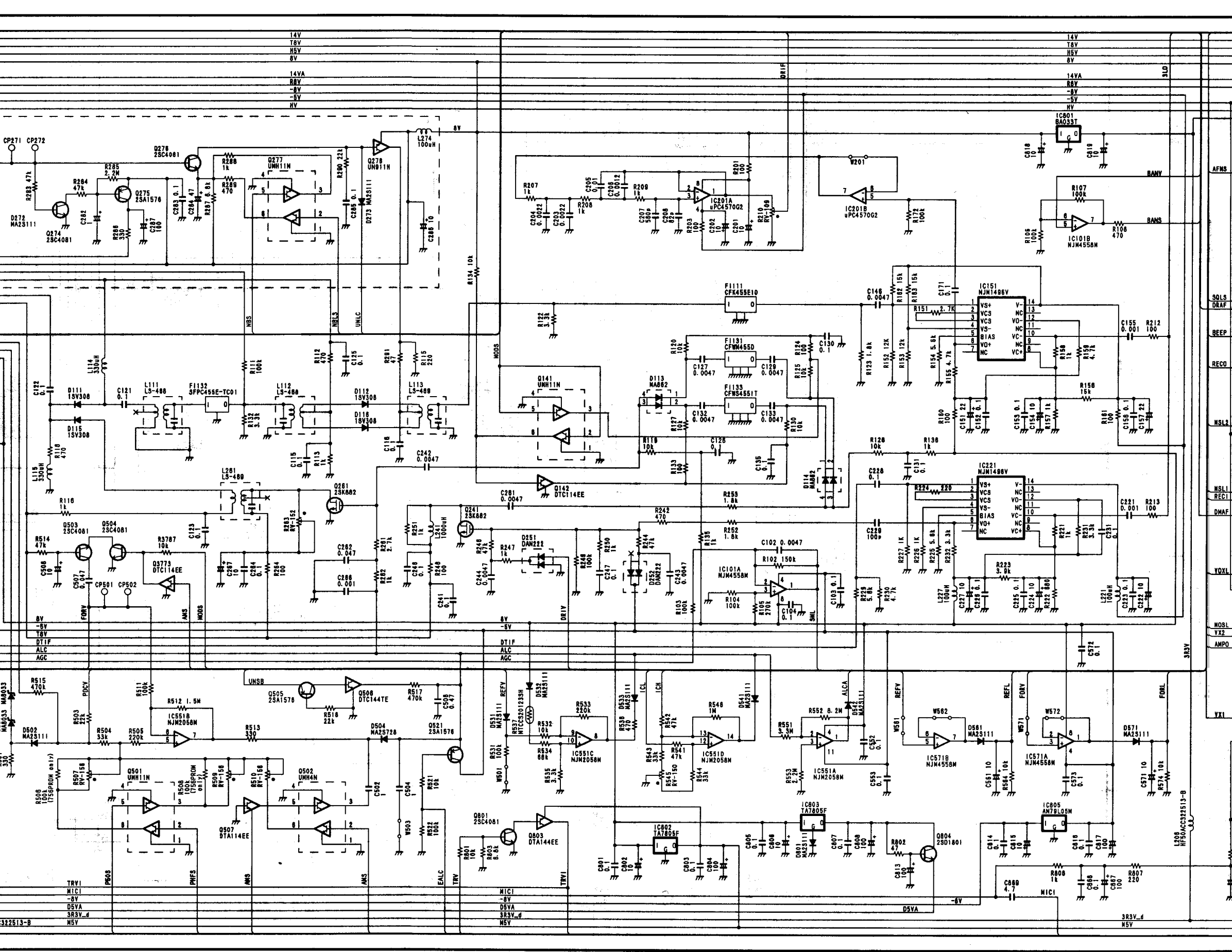


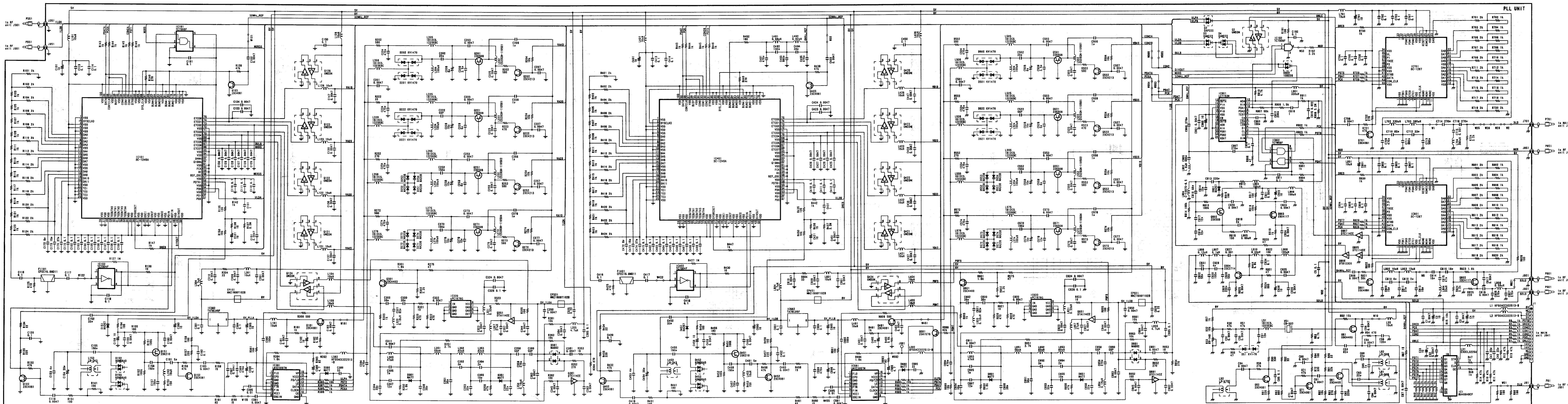
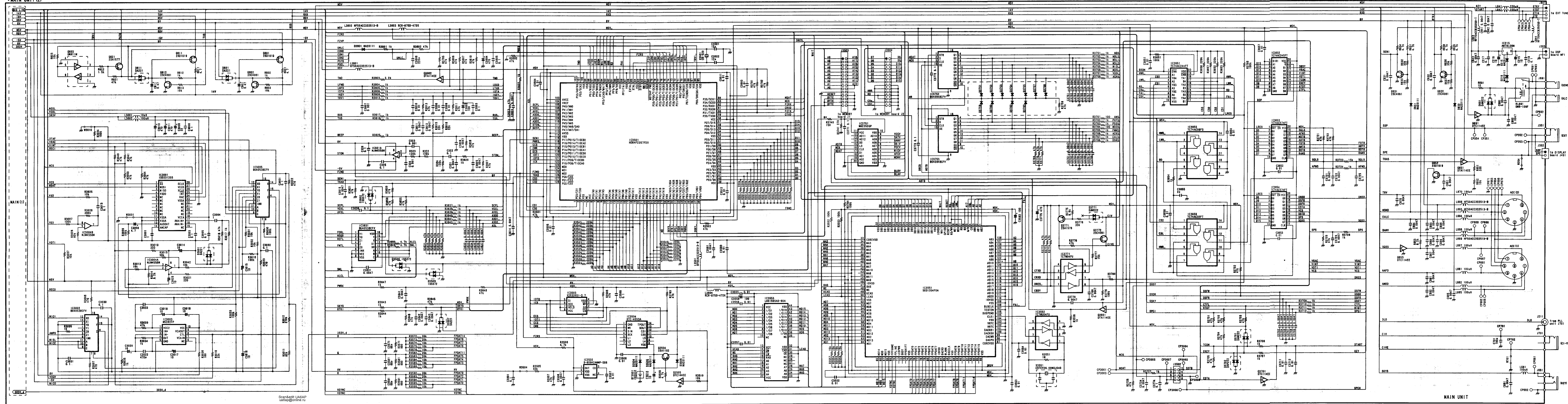
BUS LIND
14V
18V
MSV
8V
MSV
R8V
-5V
HV
SR3V



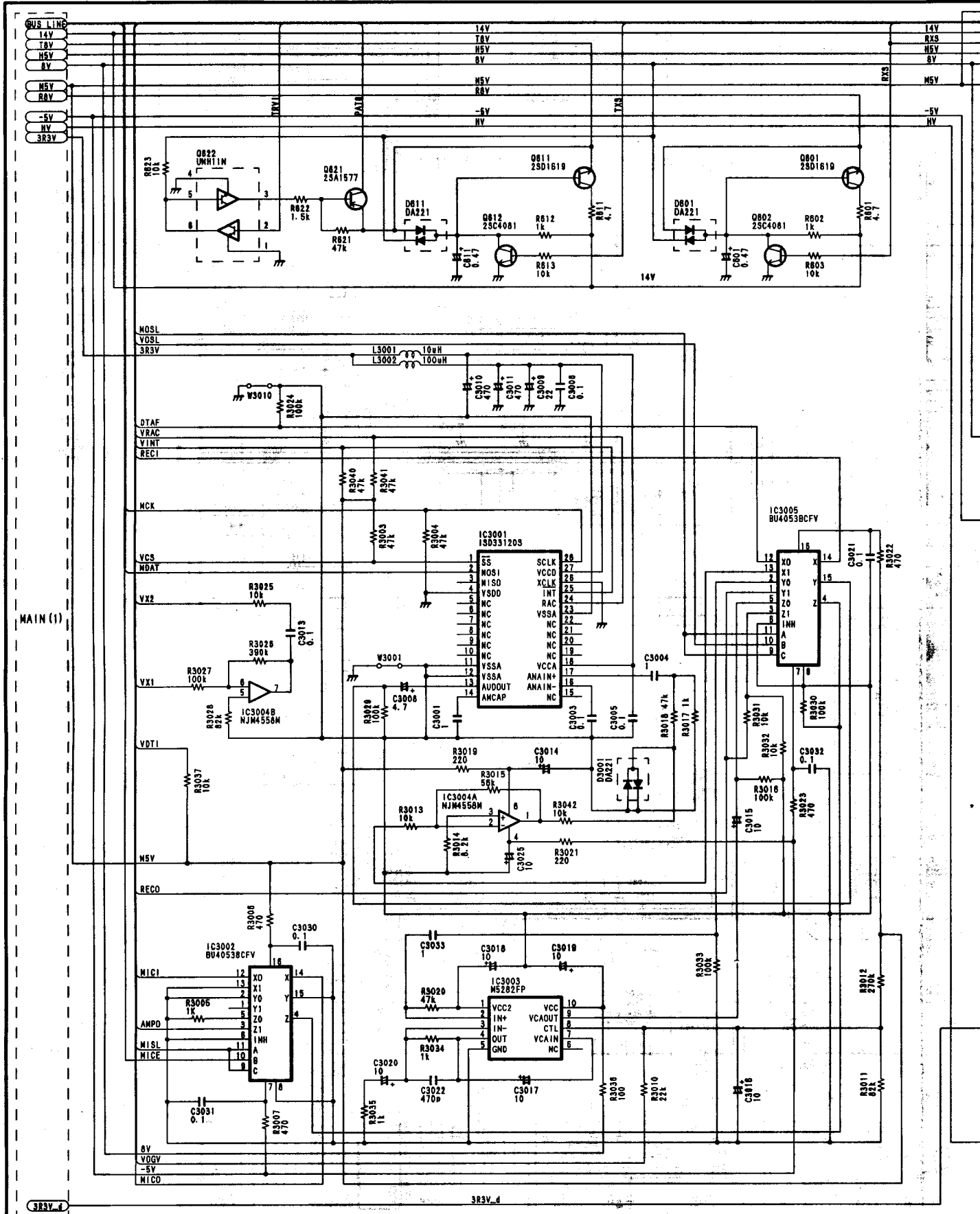
MAIN (2)

SR3V

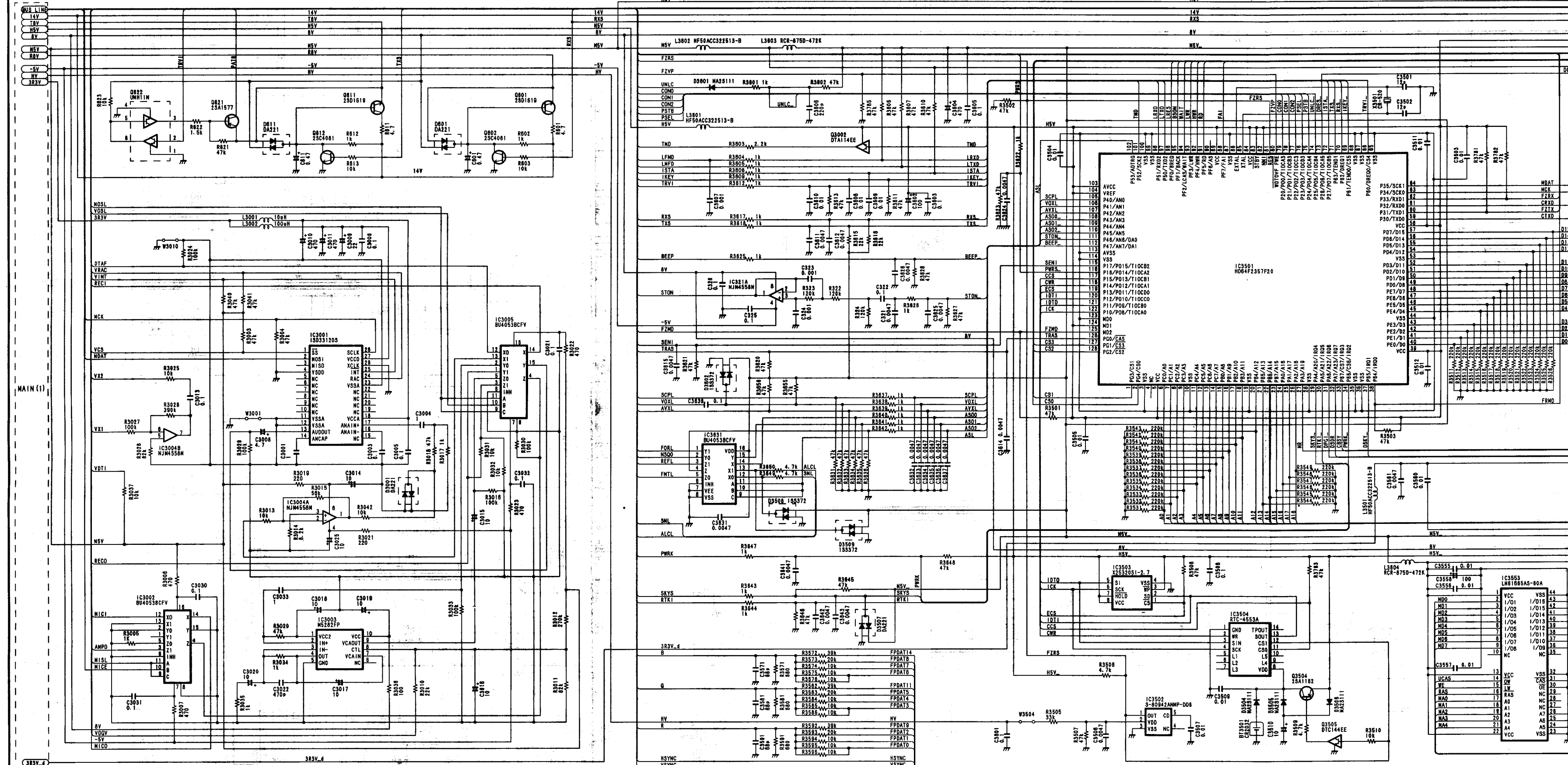


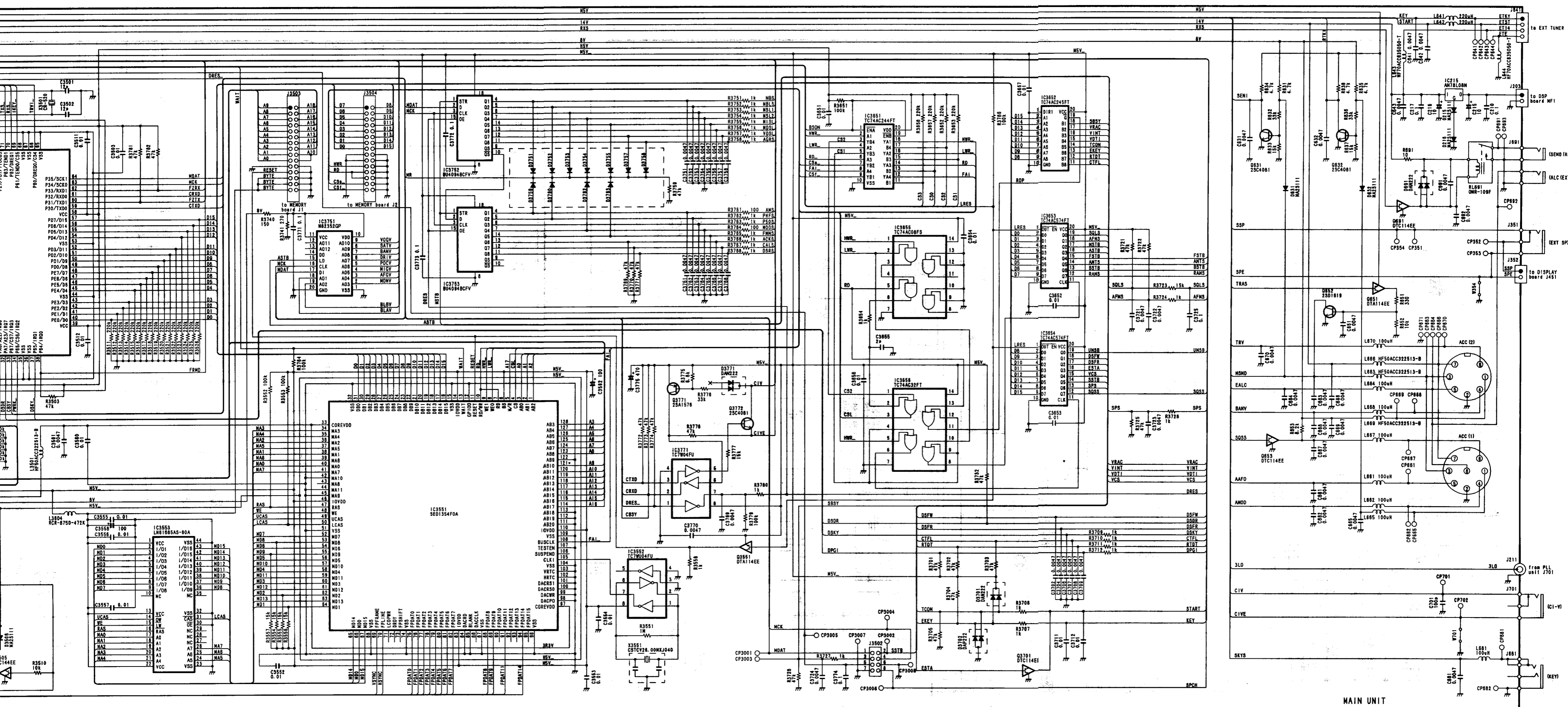


• MAIN UNIT (2)



MAIN UNIT (2)

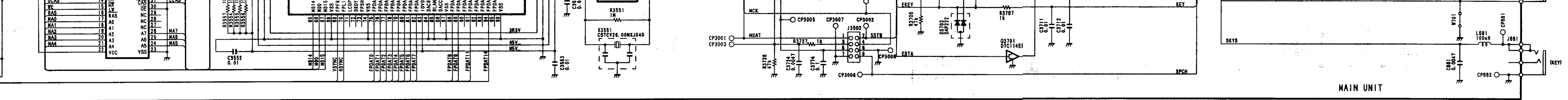




To upgrade quality, some components may be subject to change without notice.

A-5624H-4G
 Printed in Japan
 © 1999 Icom Inc.

Icom Inc

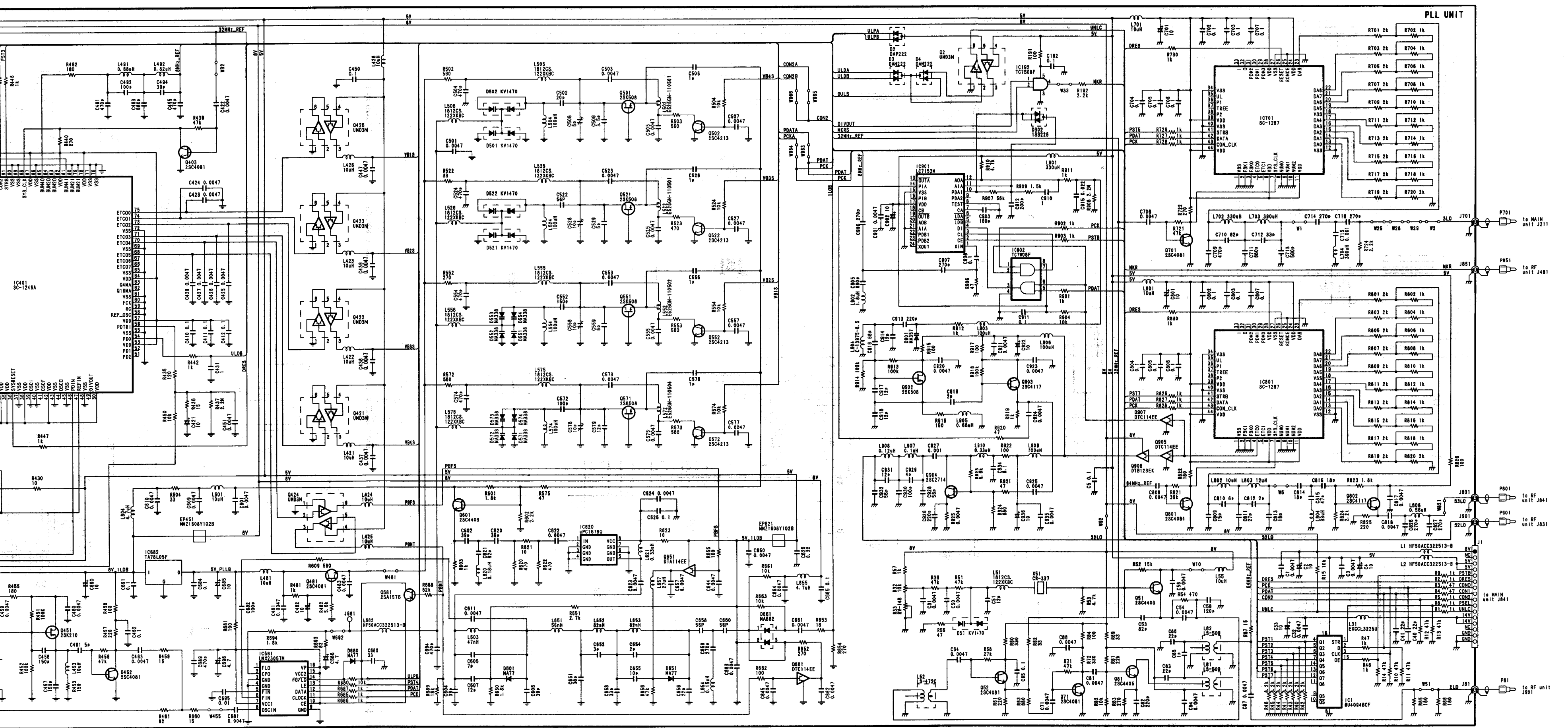


MAIN UNIT

To upgrade quality, some components may be subject to change without notice.

A-5624H-4G
Printed in Japan
© 1999 Icom Inc.

Icom Inc



PLL UNIT

to MAIN unit J211

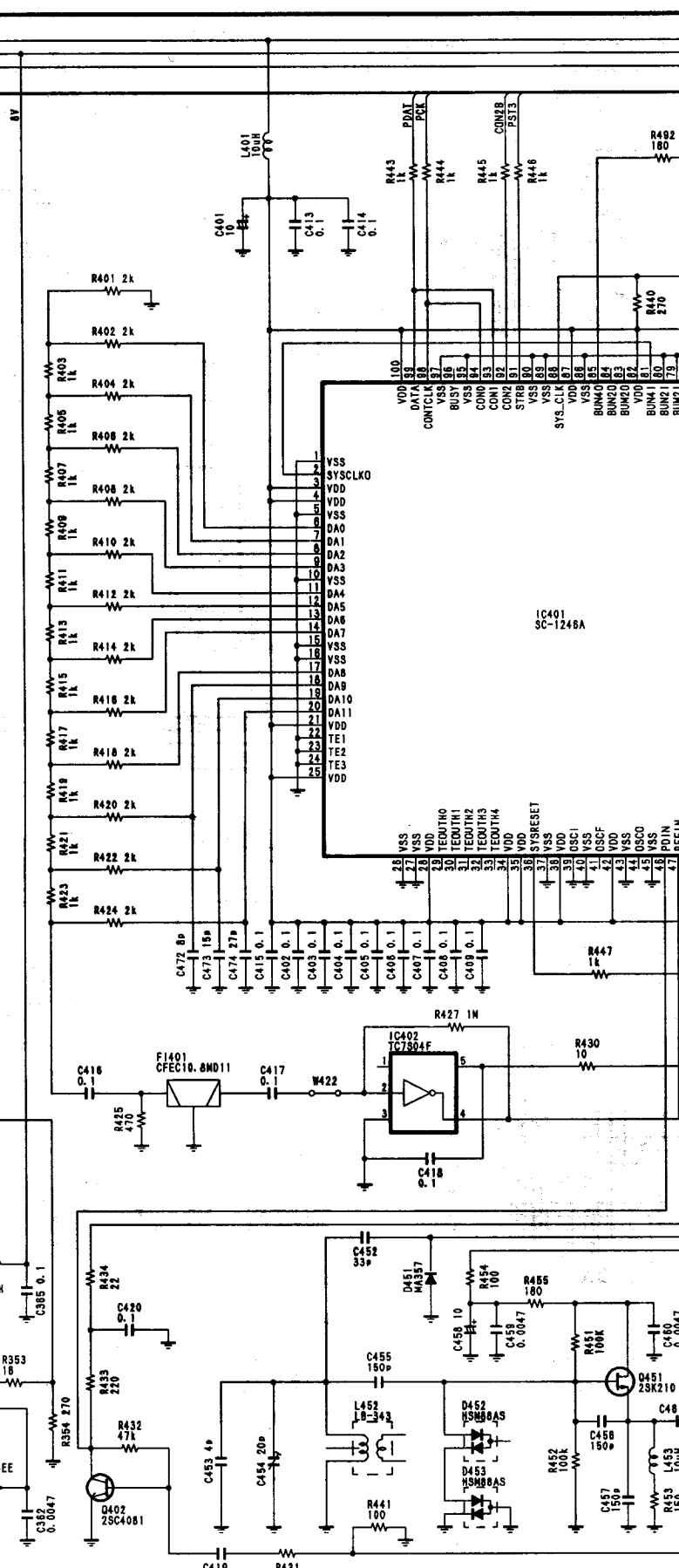
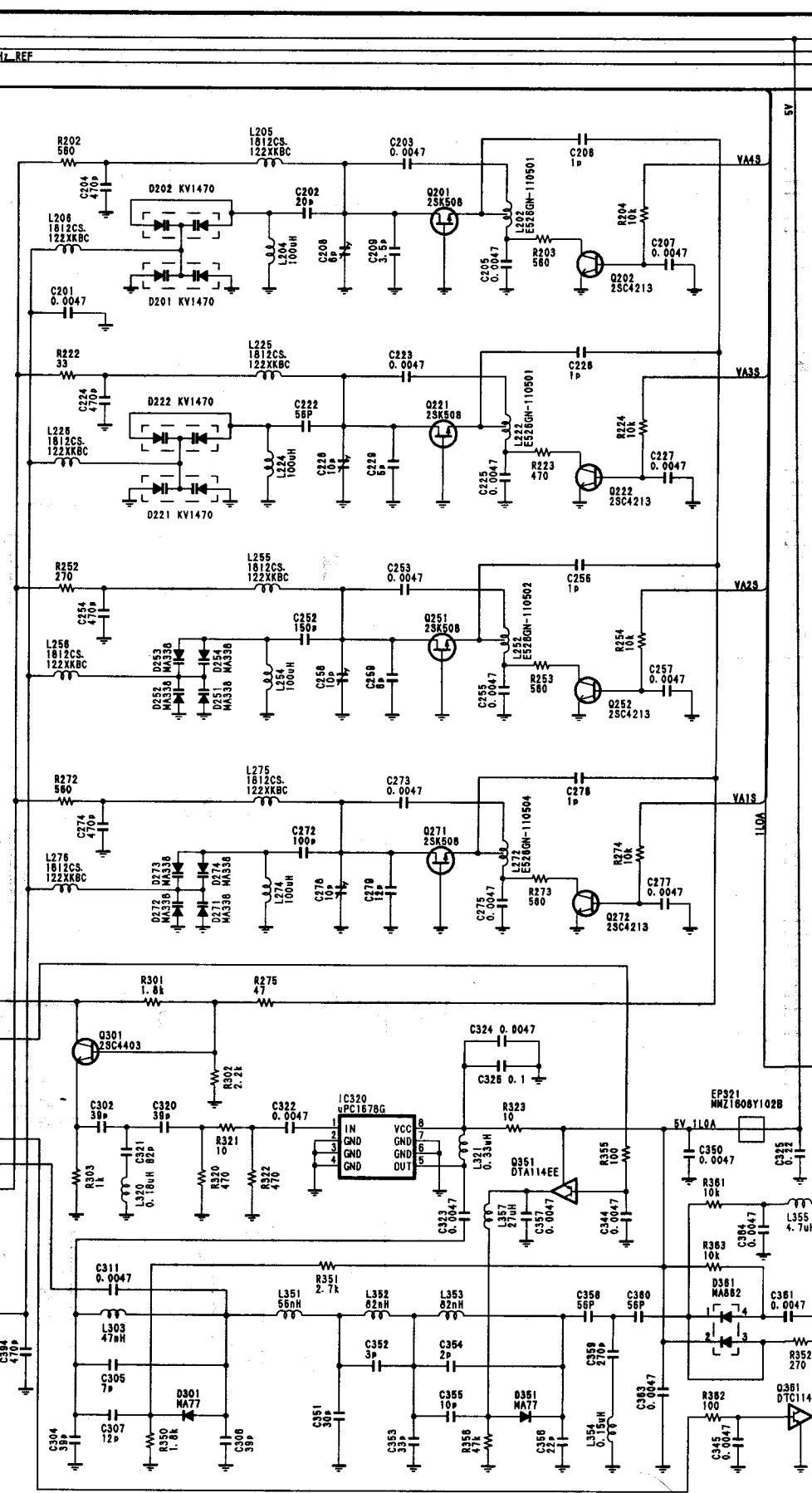
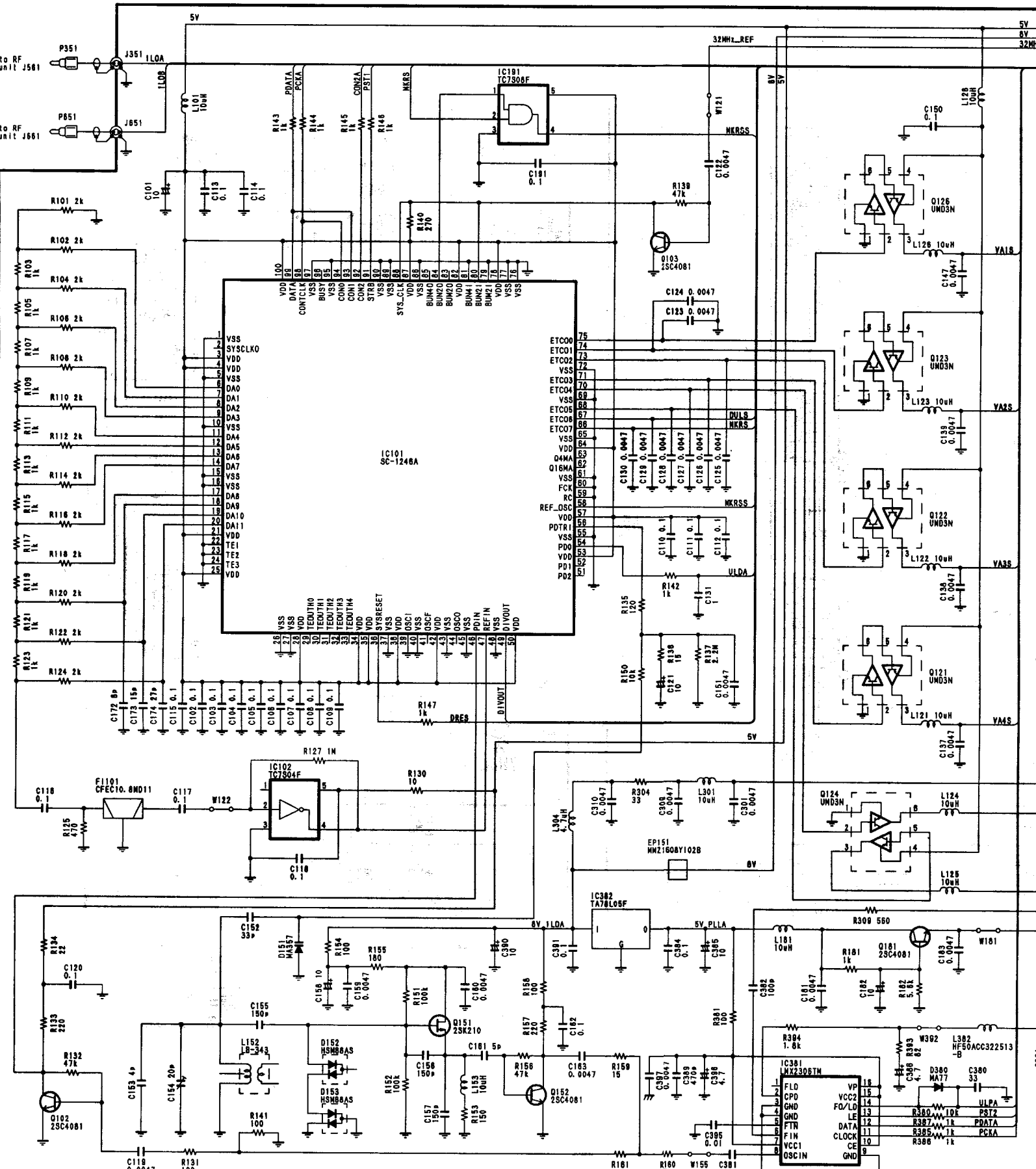
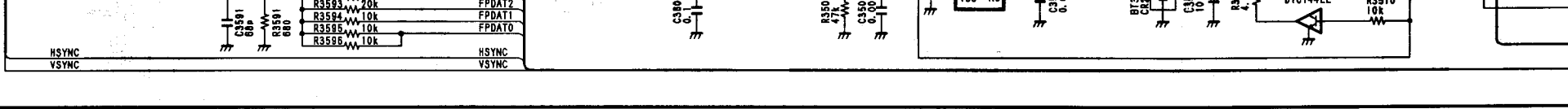
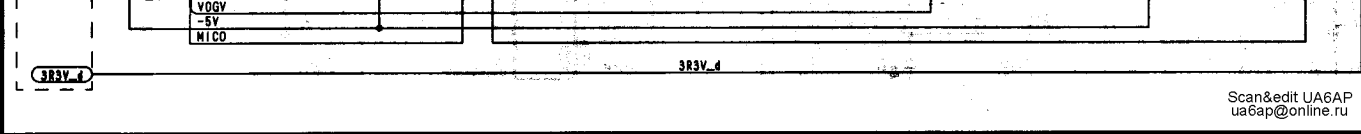
to RF unit J481

to RF unit J401

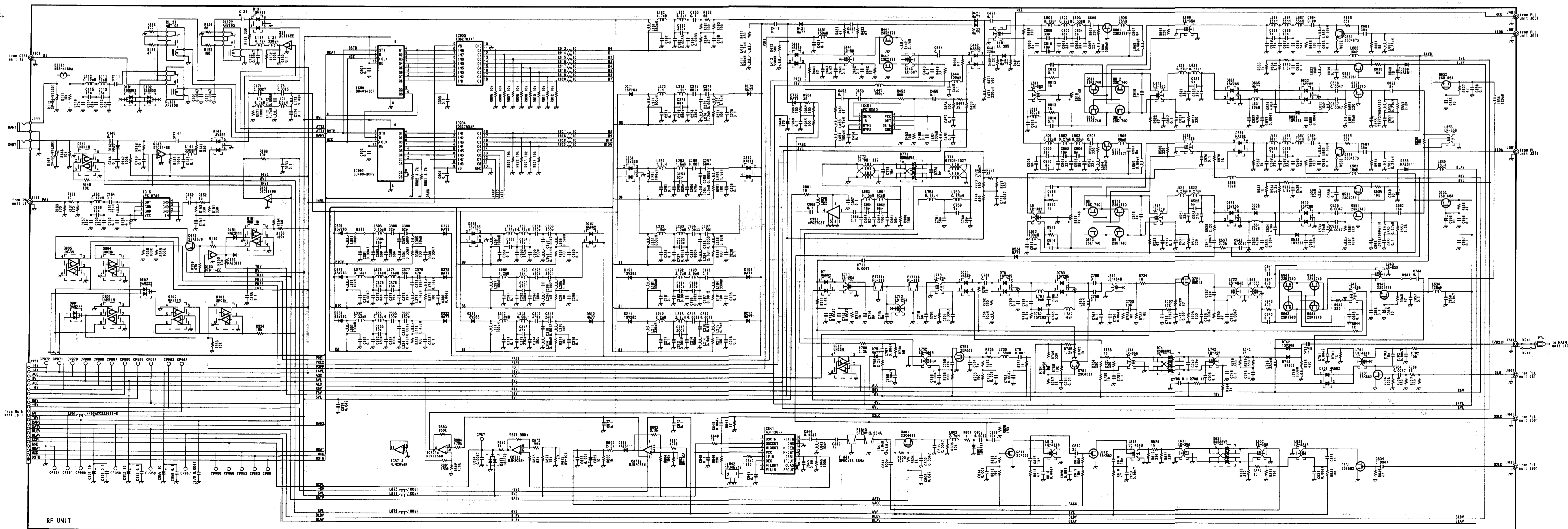
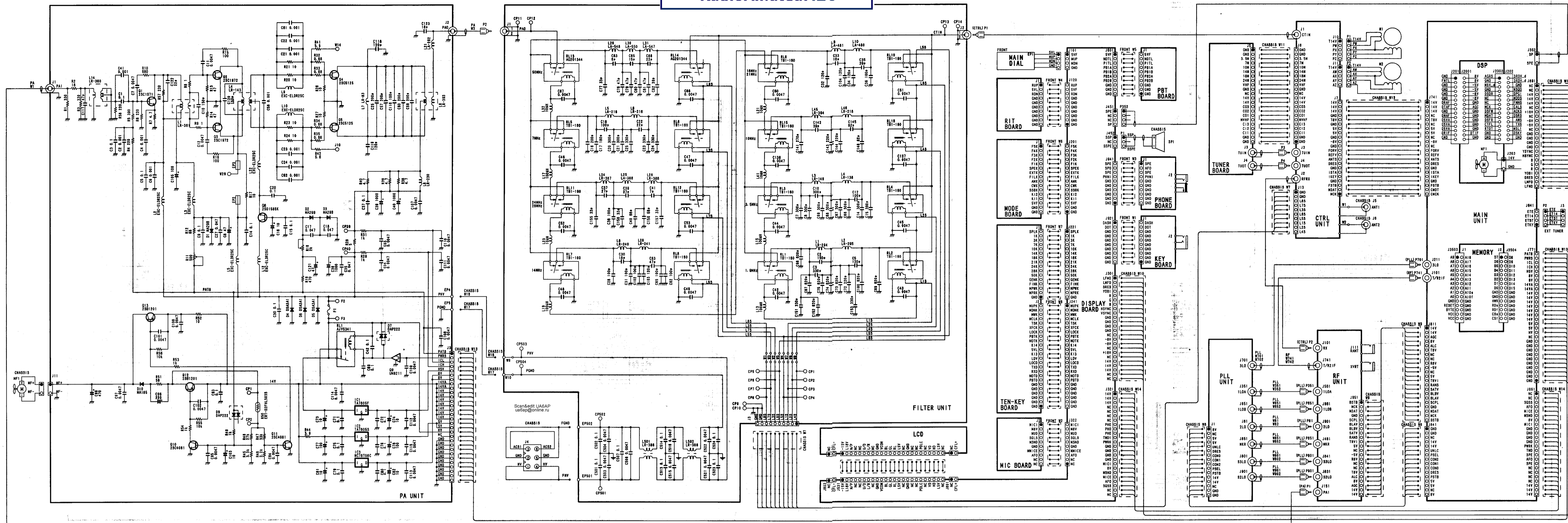
to RF unit J831

to MAIN unit J841

to RF unit J801

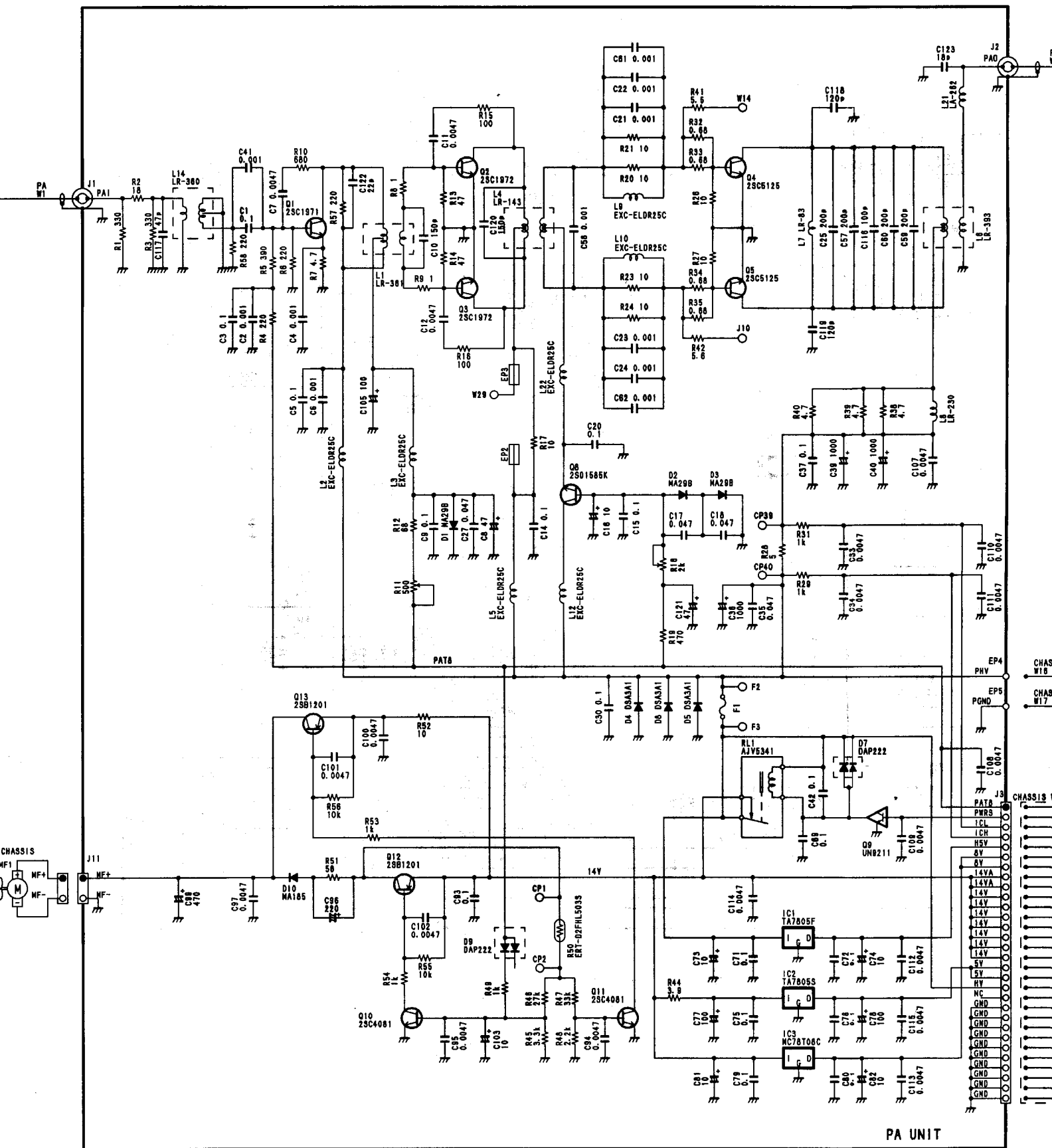


Scan&edit UA6AP
ua6ap@online.ru



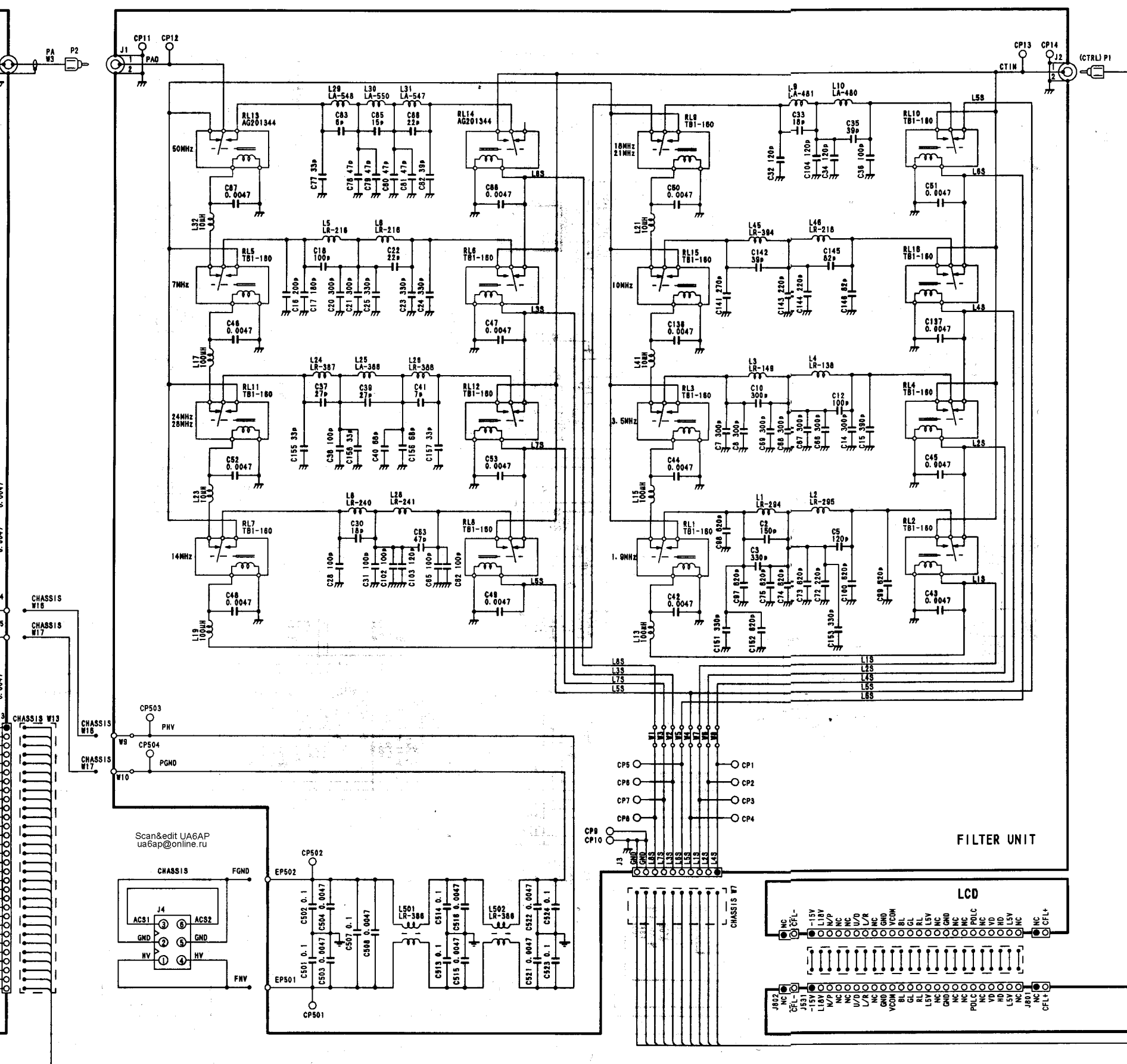
To upgrade quality, some components may be subject to change without notice.

A-5624H-SG
Printed in Japan
© 1999 Icom Inc.

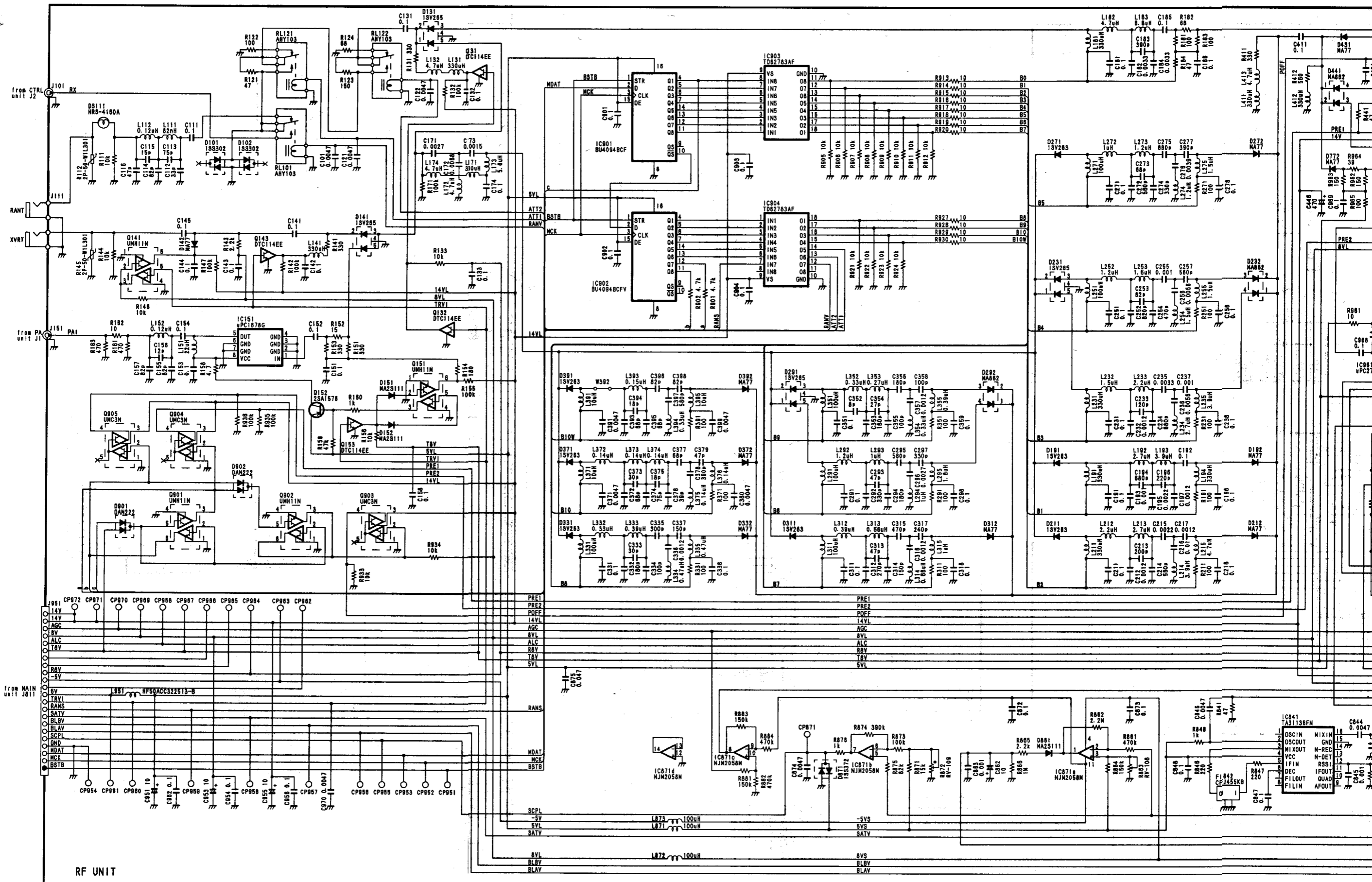


PA UNIT

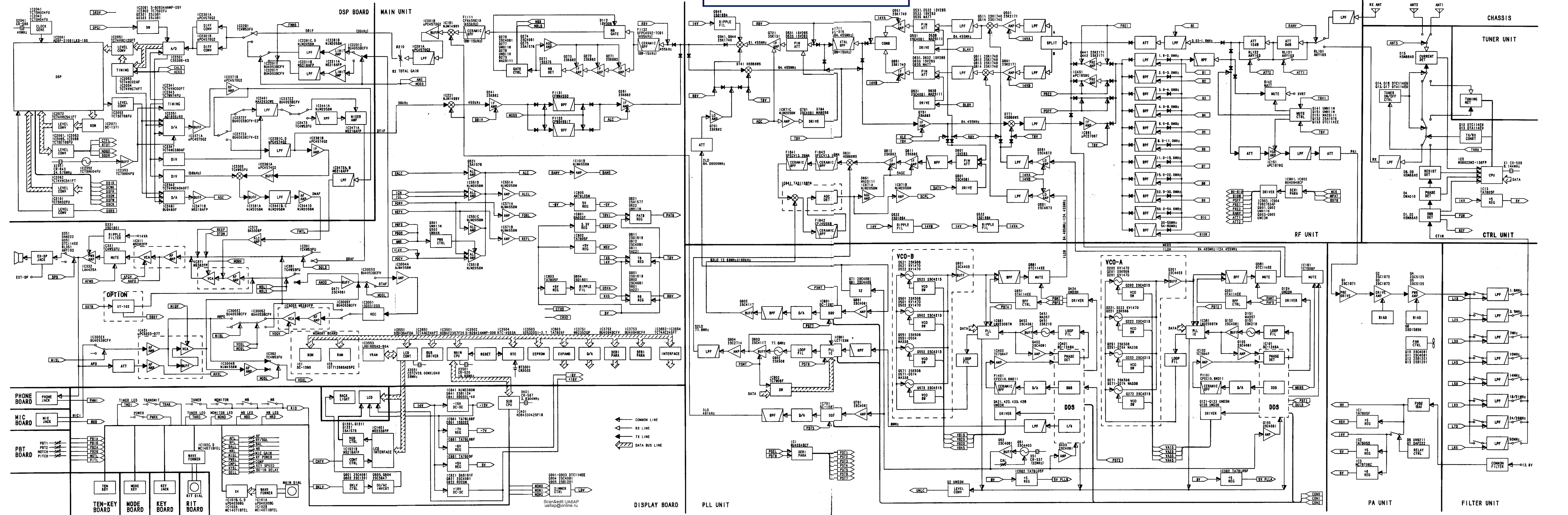
SCHEMATIC DIAGRAM

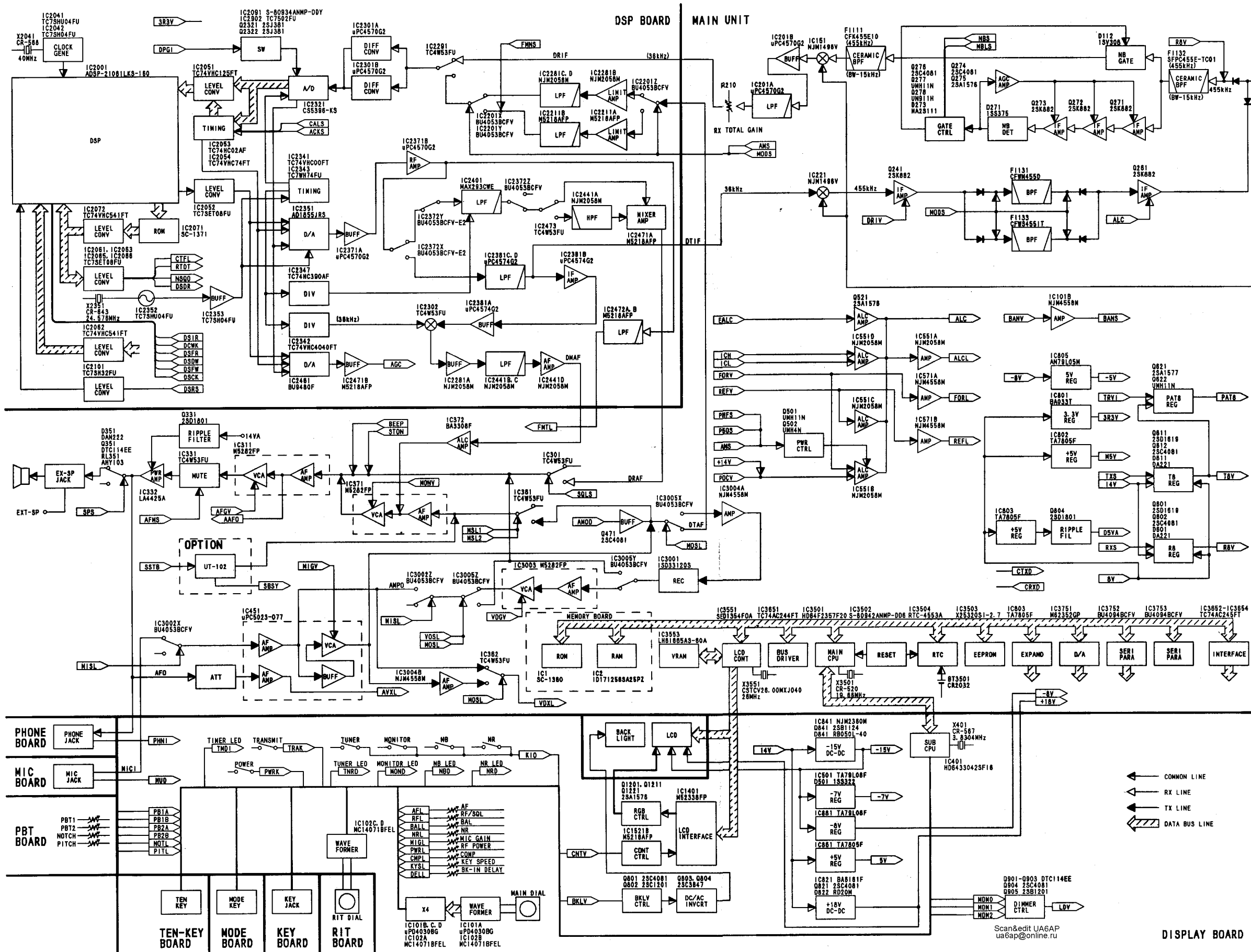


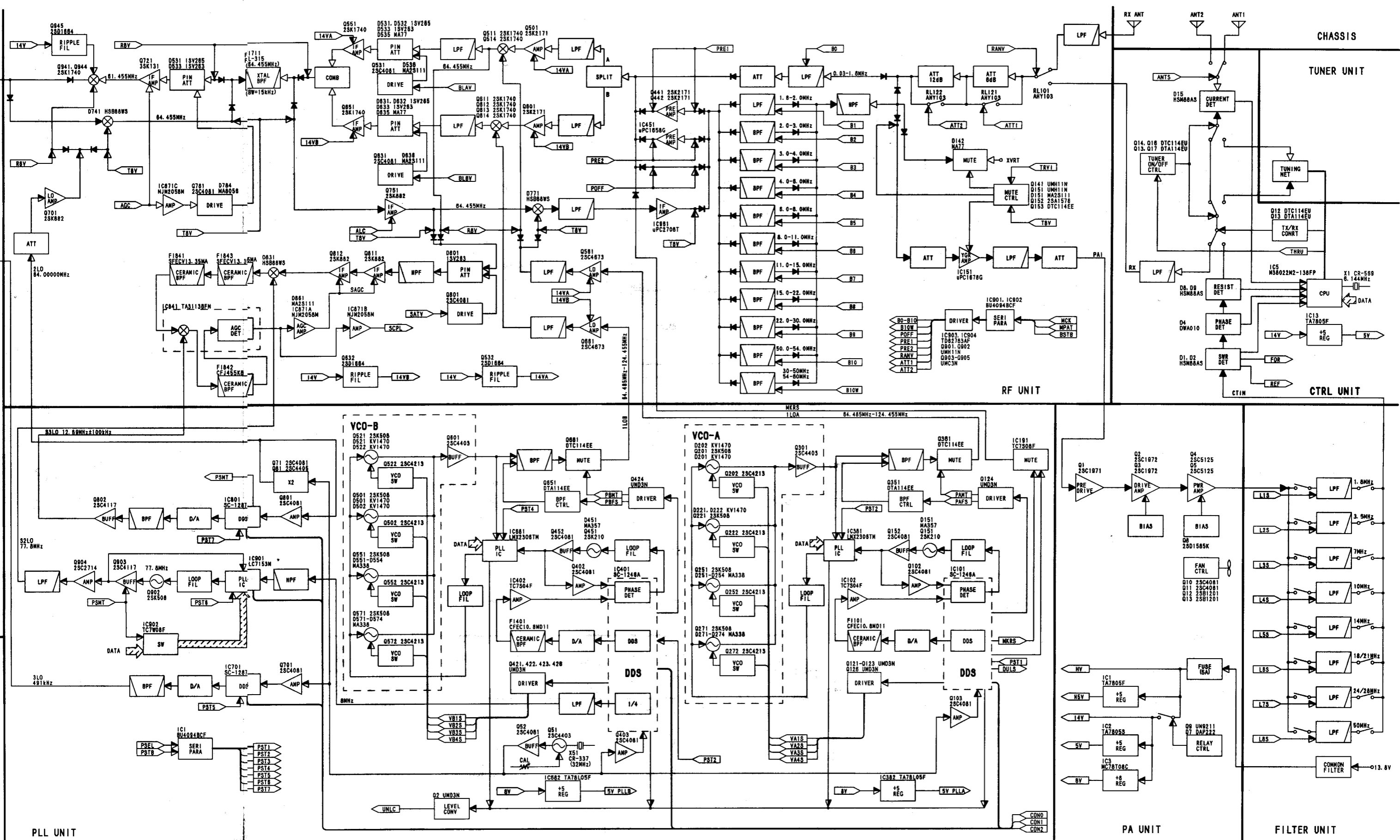
Scan&edit UA6AP
ua6ap@online.ru



RF UNIT







PLL UNIT

VCO-B

VCO-A

RF UNIT

PA UNIT

FILTER UNIT

CHASSIS

TUNER UNIT

CTRL UNIT

To upgrade quality, some components may be subject to change without notice.

A-5624H-6G
Printed in Japan
© 1999 Icom Inc.

Icom Inc.

