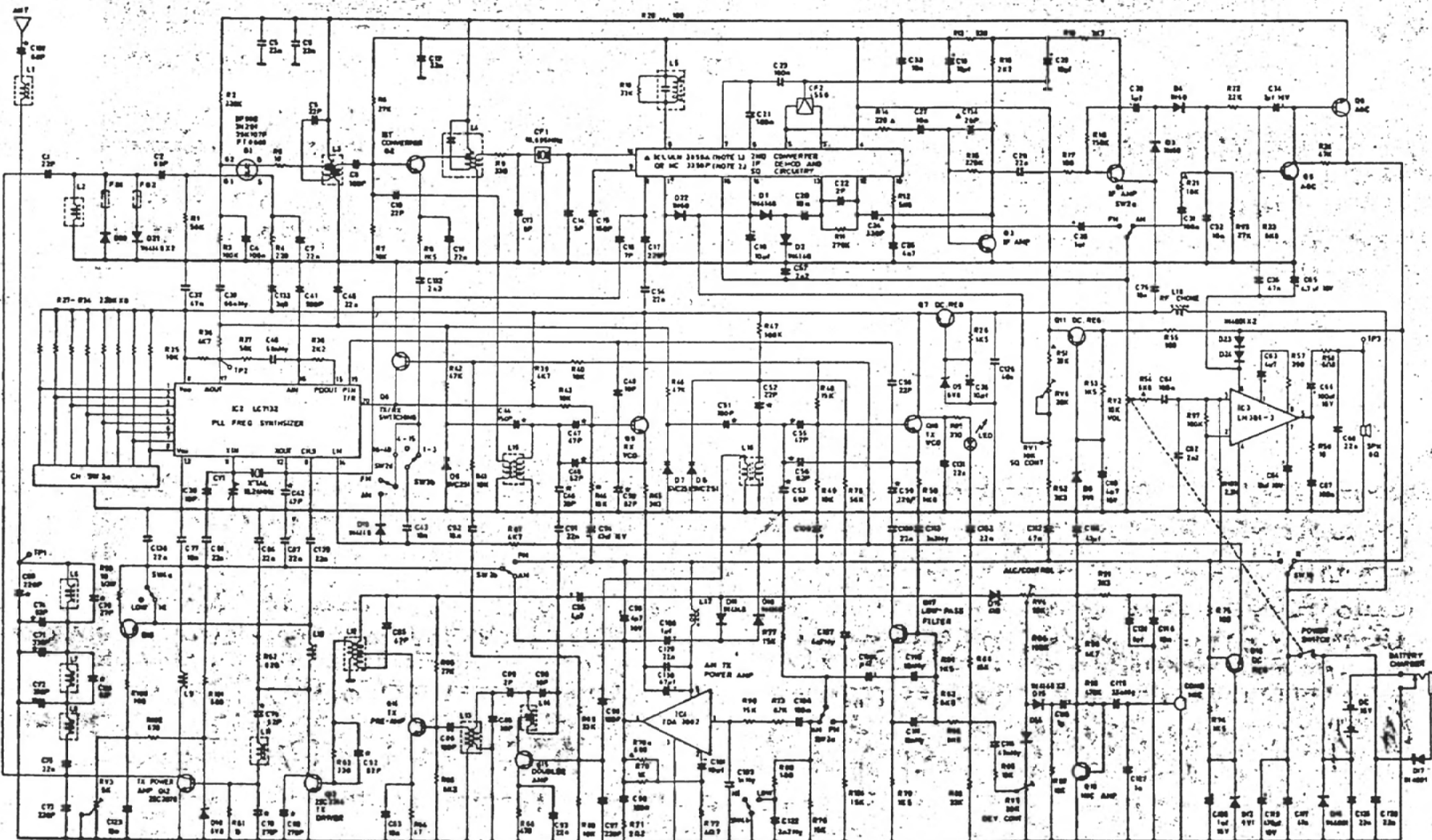


SCHEMATIC DIAGRAM FOR MODEL SH-6100 / SH-6200

REV	DESCRIPTION	DATE
A	ADDED C14,C15 R10 WAS 50K C16 WAS 100P	10.8.67
B	ADDED R47	10.8.67
C	R15 CORRECTION ADDED SW	



A SHOWS THE VALUE MAY CHANGE WITHOUT NOTICE.
 • DENOTES "50P" TYPE CAPACITOR

NOTE 1. WHEN IC1 USED L4A 300K.
 R 14 22K
 C 14 20P
 C 15A 50P

NOTE 1. WHEN IC1 USED MC 100P
 R 14 22K
 C 14 20P
 C 15A 50P