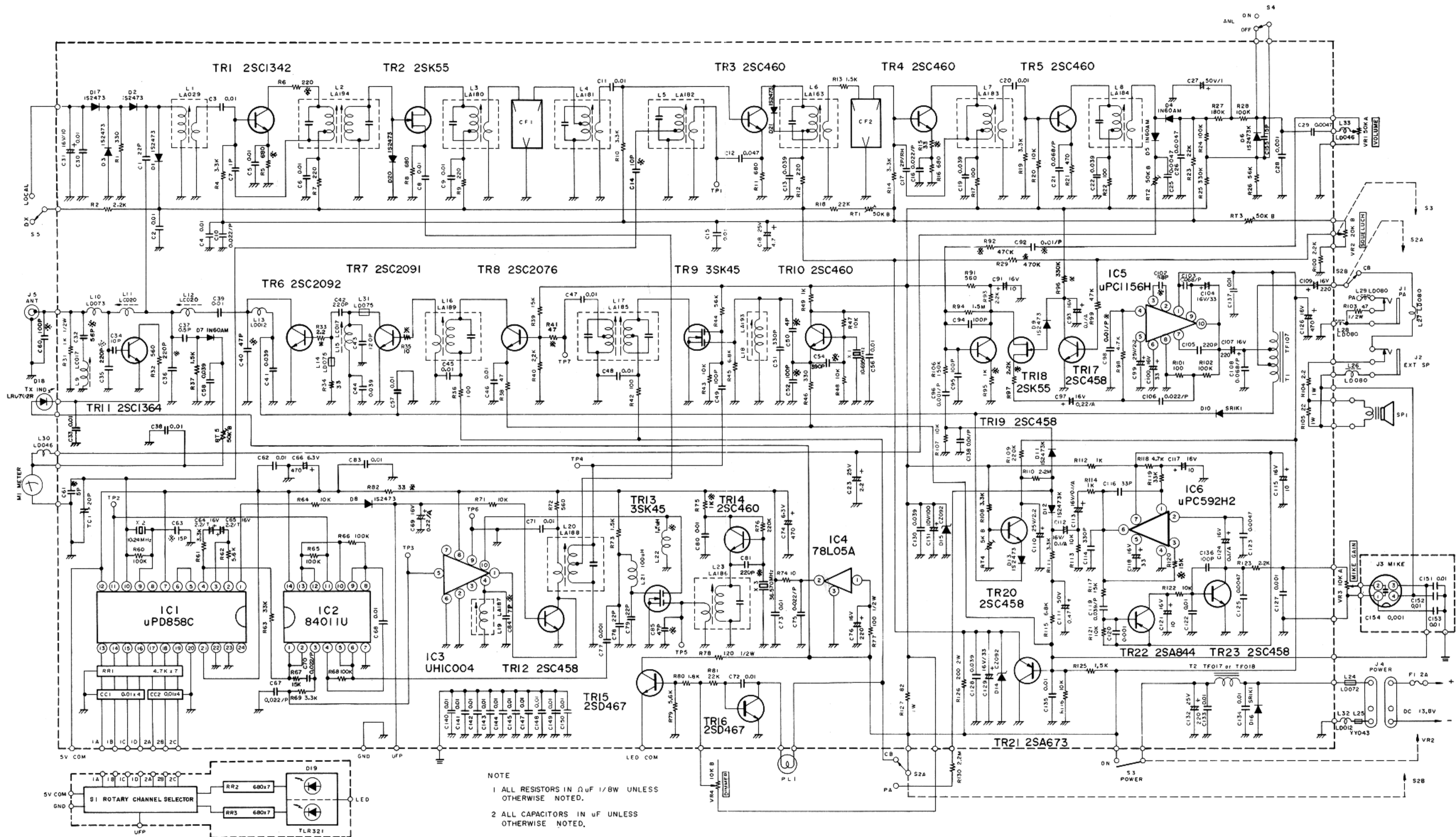


# CIRCUIT DIAGRAM FOR JOHN Q.



NOTE  
 1 ALL RESISTORS IN  $\Omega$   $\mu$ F 1/8W UNLESS OTHERWISE NOTED.  
 2 ALL CAPACITORS IN  $\mu$ F UNLESS OTHERWISE NOTED.

\* SUBJECT TO CHANGE WITHOUT NOTICE