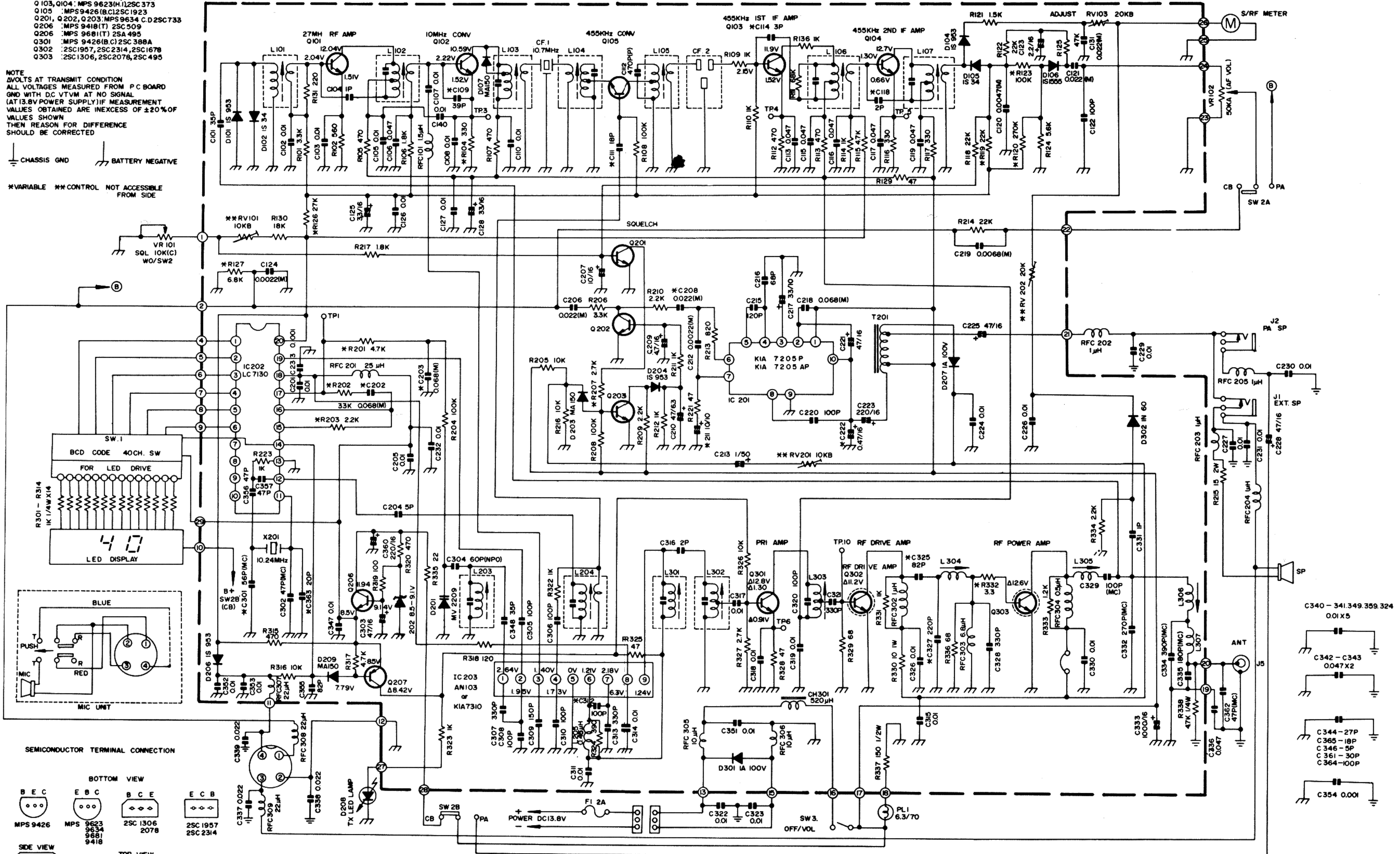


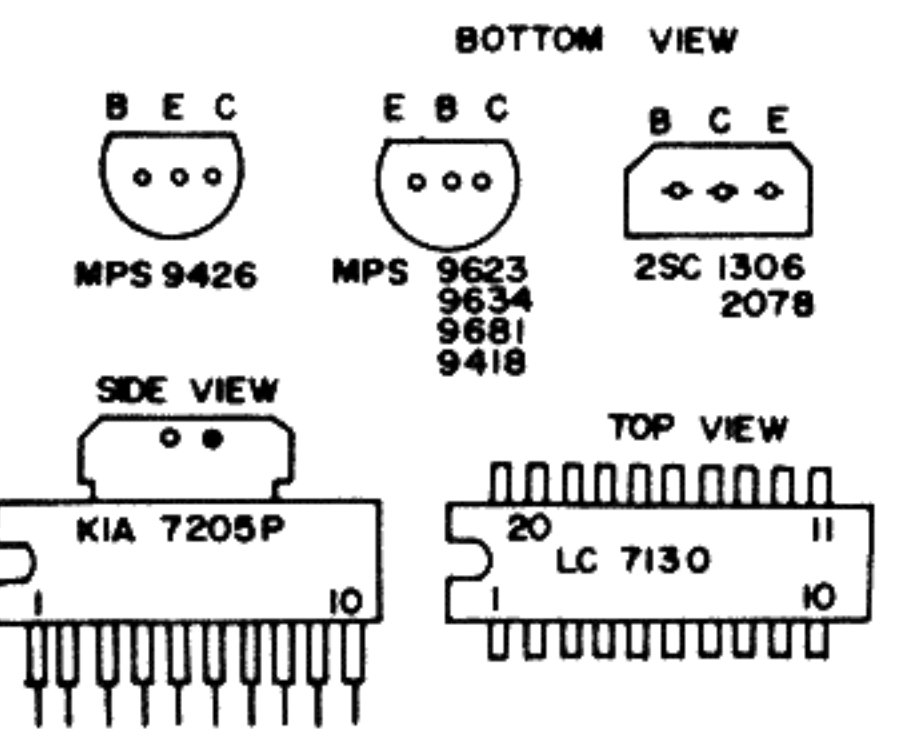
- Q101, Q102: MPS 9426C, 2SC1923
- Q103, Q104: MPS 9623(H), 2SC373
- Q105: MPS 9426(B,C), 2SC1923
- Q201, Q202, Q203: MPS 9634 C, D, 2SC733
- Q206: MPS 9418(T), 2SC509
- Q301: MPS 9681(T), 2SA495
- Q302: MPS 9426(B,C), 2SC388A
- Q303: 2SC1957, 2SC2314, 2SC1678
- Q304: 2SC1306, 2SC2078, 2SC495

NOTE
 2VOLTS AT TRANSMIT CONDITION
 ALL VOLTAGES MEASURED FROM P.C BOARD
 GND WITH D.C. VTM AT NO SIGNAL
 (AT 13.8V POWER SUPPLY) IF MEASUREMENT
 VALUES OBTAINED ARE IN EXCESS OF ±20% OF
 VALUES SHOWN
 THEN REASON FOR DIFFERENCE
 SHOULD BE CORRECTED

CHASSIS GND BATTERY NEGATIVE
 *VARIABLE **CONTROL NOT ACCESSIBLE FROM SIDE



SEMICONDUCTOR TERMINAL CONNECTION



- C340 - 341: 349, 359, 324 0.01X5
- C342 - C343: 0047X2
- C344 - 27P
- C365 - 18P
- C346 - 5P
- C361 - 30P
- C364 - 100P
- C354: 0.001