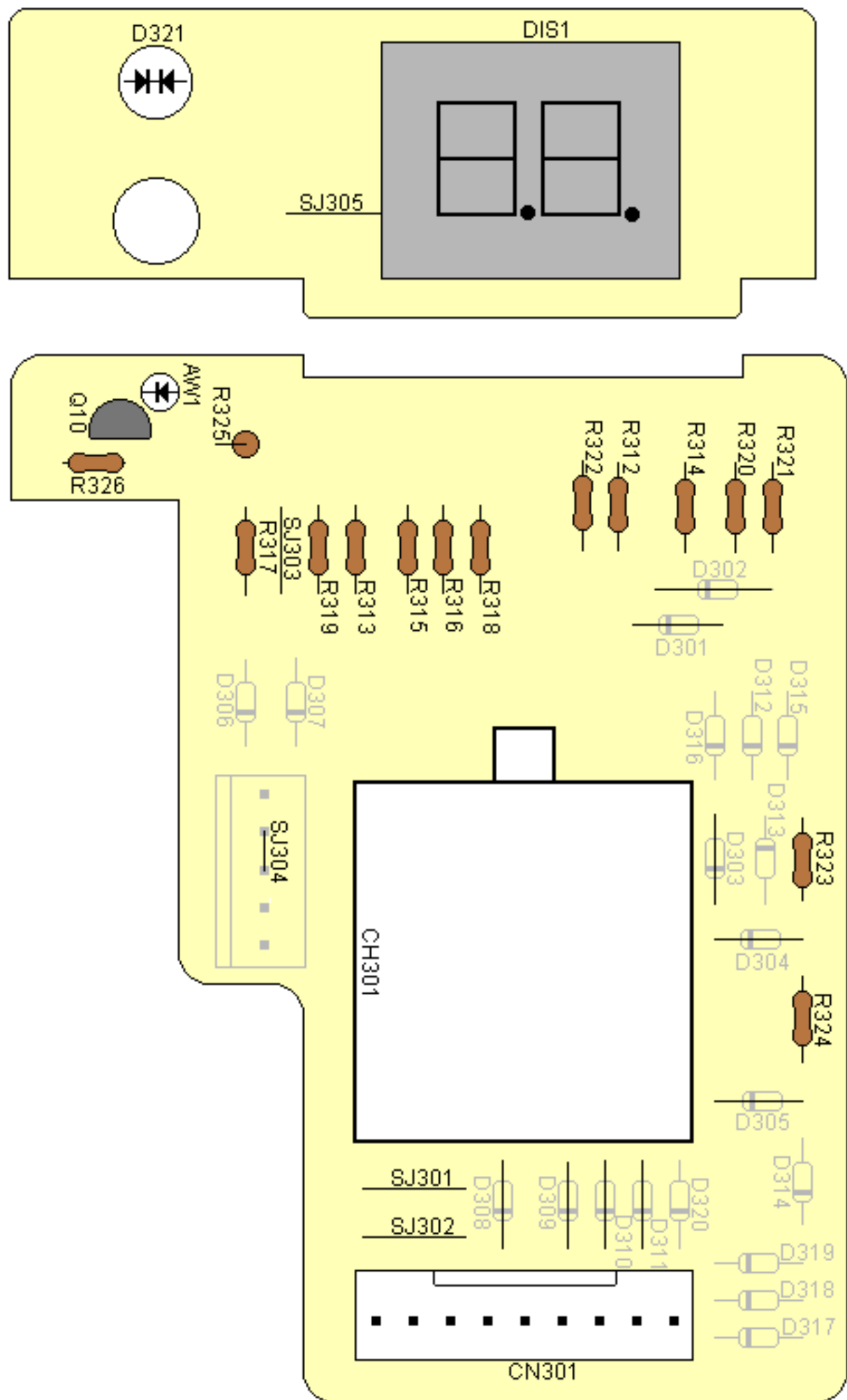
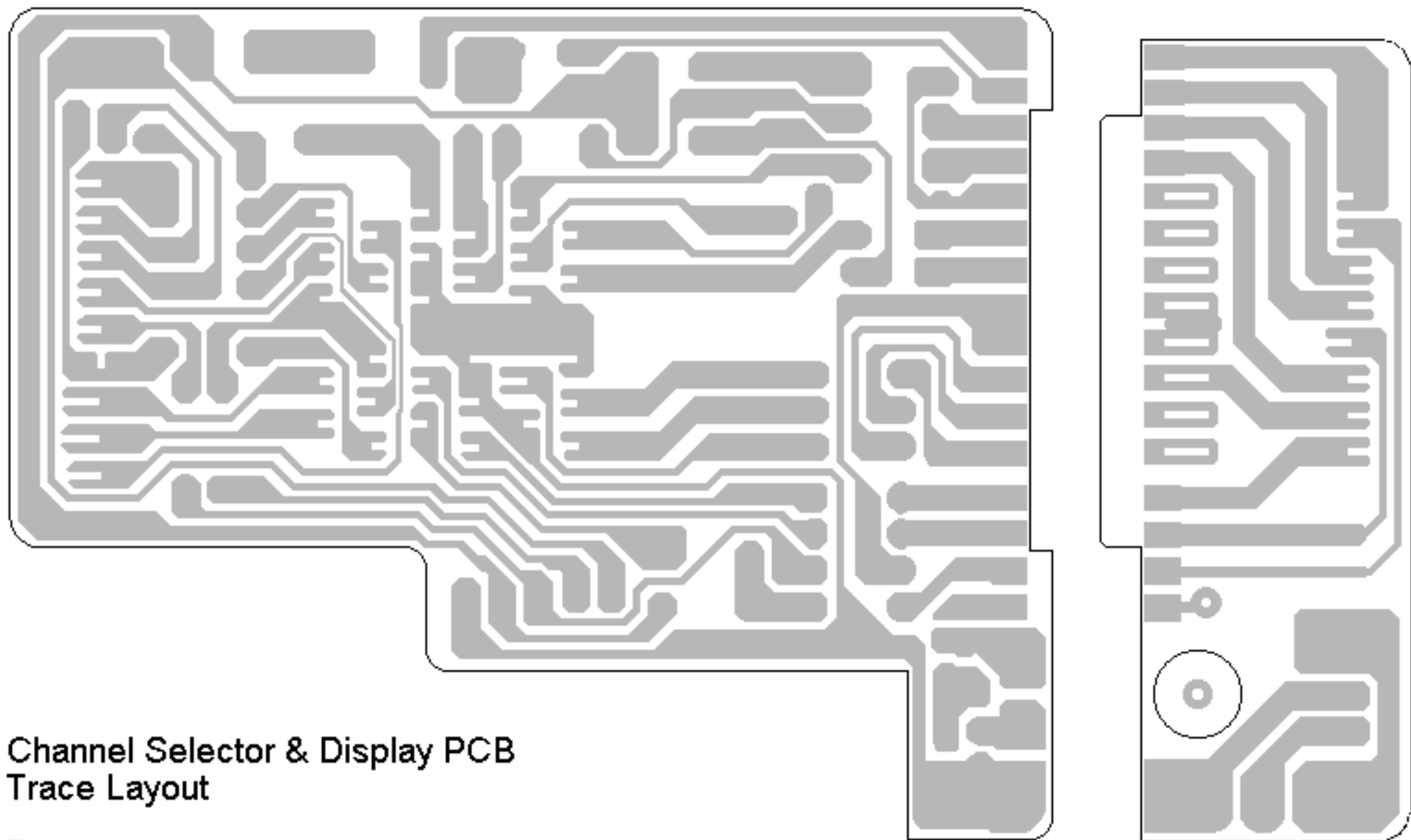


Magnum Radio
 Maverick A24 Main PCB Rev. 1.1
 Parts outlined in gray are not
 installed



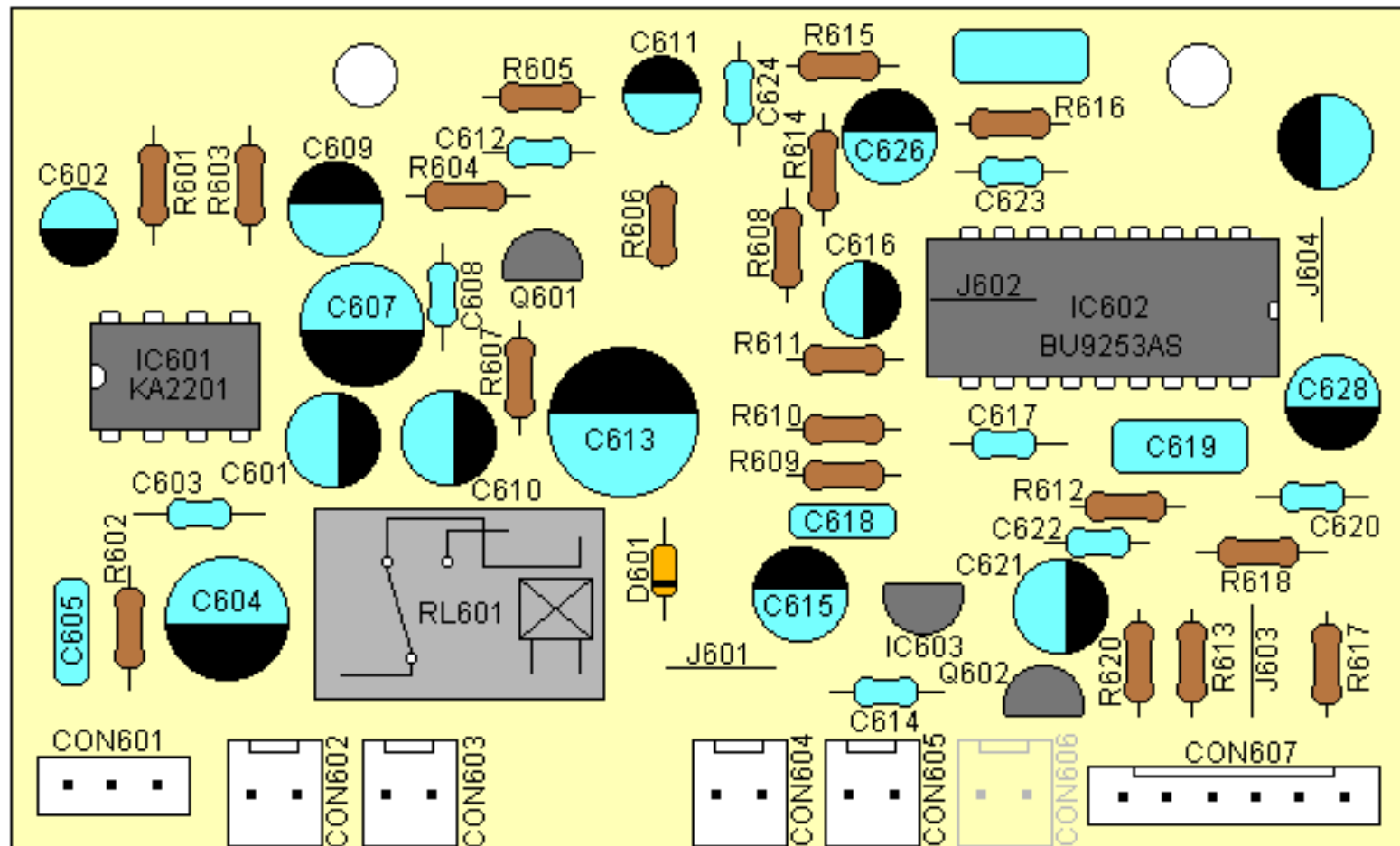
Magnum Radio Maverick A24
 Channel Selector and Display PCB
 Parts outlined in gray are not
 installed

Rev. 1.1



**Channel Selector & Display PCB
Trace Layout**

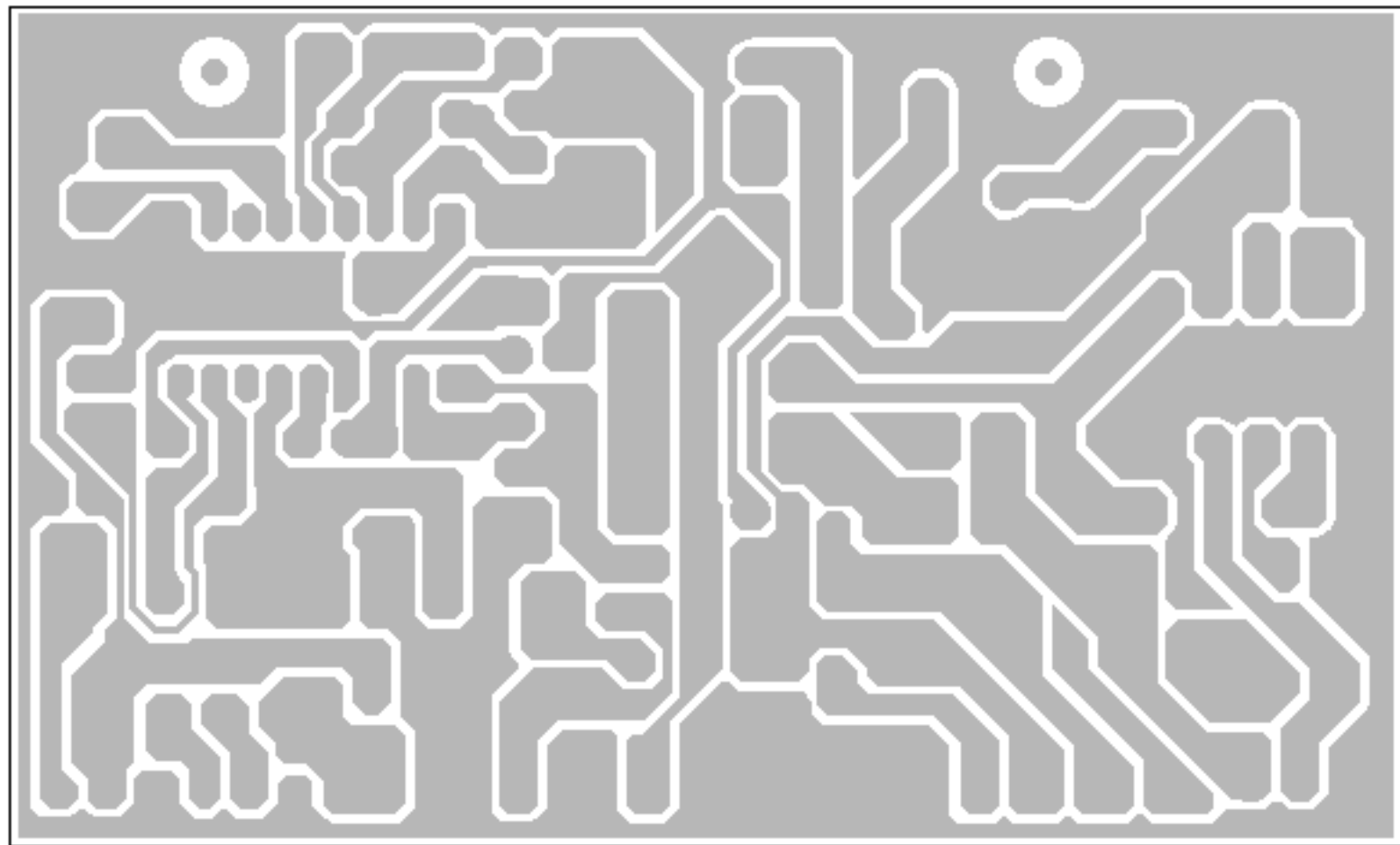
Rev.# 1.0



Magnum Radio
Maverick A24 ECHO PCB

Parts outlined in gray are not installed

Rev. 1.1



ECHO PCB Bottom Trace Layout

SCHEMATIC DIAGRAM

MAVERICK A24

