



MODEL 2680

CITIZENS TWO-WAY RADIO

mobile

**Manufactured and Distributed by
Hy Gain de Puerto Rico, Inc.
P.O. Box 68 State Hwy 31, KM. 4.0
Naguabo, Puerto Rico 00718**

EO-2680-A-108



First Printing, July, 1976

Original edition, July, 1976 — PN 801274

TABLE OF CONTENTS

	Page
CHAPTER 1 — GENERAL INFORMATION	1
Introduction	1
Warranty Service Department	1
How to Ship Returns	1
Purchase of Parts	2
Specifications	2
CHAPTER 2 — THEORY OF OPERATION	3
General	3
Phase Locked Loop Frequency Synthesizer	3
Receiver	5
Transmitter	5
CHAPTER 3 — ALIGNMENT	7
General	7
Recommended Equipment	7
Transmitter Alignment Procedure	7
Equipment Set-up	7
Pre-Alignment Frequency Check	8
VCO Alignment	8
RF Output Adjustment	9
Transmitter Frequency Check	9
Modulation Sensitivity Alignment	10
Receiver Alignment Procedure	10
Equipment Set-up	10
Receiver Alignment	10
Tight Squelch Adjustment	11
CHAPTER 4 — CHARTS AND DRAWINGS	15
Voltage Measurement Chart	17
P. C. Board Component Outline — Model 2680	21
Parts List	25
Schematic Diagrams	31

LIST OF ILLUSTRATIONS

Figure		Page
2-1	Block Diagram of PLL Circuitry — Model 2680	4
2-2	Block Diagram	foldout
3-1	Test Equipment Set-up — transmit	8
3-2	Connection of Dummy Load	9
3-3	Test Equipment Set-up — Receive	10
3-4	Components Adjusted for Transmitter Alignment	13
3-5	Components Adjusted for Receiver Alignment	14
4-1	P. C. Board Component Outline — Model 2680	21
4-2	Schematic Diagram — Model 2680	foldout

CHAPTER 1 — GENERAL INFORMATION

Introduction

This service manual contains all the information needed to service and repair the Hy-Gain Model 2680 transceiver. It includes an explanation of the theory of operation and alignment procedures. Revision, addendum, and errata sheets will be published as needed. Insert them as required in the manual.

The radio is a full 23-channel transceiver designed and type accepted for Class D Citizens Radio Service, as designated by the Federal Communications Commission (FCC).

It is a compact mobile unit, completely solid-state, and highly reliable with low power consumption. Its PLL (Phase Locked Loop) synthesizer provides immediate operation on all 23 channels. Model 2680 incorporates an automatic noise limiter (ANL), to reduce undesirable noises. Output jacks for an optional telephone-style handset and a remote speaker are also included. Use the unit with 12 VDC (nominal), either negative or positive ground.

Warranty Service Department

For help with technical problems, for parts information, and information on local and factory repair facilities, contact the National Service Manager. When you write, please include all pertinent information that may be helpful in solving your problem. Address your letter to:

Hy-Gain Warranty Service Department
4900 Superior Street
Lincoln, Nebraska 68504
ATTN: National Service Manager

The Warranty Service Department can repair any unit. Before you ship a unit to us, contact the National Service Manager. Often a problem is field solvable with just a little extra help. This can save lost time and shipping costs. Limit factory returns to difficult problems.

How to Ship Returns

To return a unit, get a return authorization first. This is important. You will only delay the handling of your unit if you ship without it. If you must ship immediately, telephone or telex the National Service Manager for expeditious service.

When you request return authorization, you may also request notification of completion of repairs. The notification will include a copy of the bill. Paying the bill before we return your unit can save the cost of a COD fee.

For warranty repair, prepare a letter in duplicate containing the following information (for out-of-warranty repair, delete items 2 and 3):

1. your name and address
2. purchaser's name and address
3. proof of purchase
4. serial number
5. a complete description of the problem
6. the return authorization

Check the unit to see that all parts and screws are in place, and attach an envelope containing a copy of the letter directly to it so the information is not overlooked. Wrap the unit and envelope in heavy paper or put them in a plastic bag. If the original carton is not available, place the unit in a strong carton at least six inches larger in all three dimensions than the unit. Fill the carton equally around the unit with resilient packing material (shredded paper, excelsior, bubble pack, etc.). Seal it with

gummed paper tape, tie it with a strong cord, and ship it by prepaid express, United Parcel Service, or insured parcel post to the address given previously. Mail the original of the letter in a second envelope to that same address.

It is important that the shipment be well-packed and fully insured. Damage claims must be settled between you and the carrier and this can delay repair and return of the unit.

All shipments to us must be sent PREPAID. We **do not accept** collect shipments. After the unit has been repaired, we will send it back to you COD unless you have prepaid the bill. Unclaimed or refused COD shipments will not be reshipped until payment in full is received. These items become the property of Hy-Gain 60 days after refusal or return and will be sold for payment of charges due.

Units with unauthorized field modifications cannot be accepted for repair.

Purchase of Parts

Parts can be purchased from any Hy-Gain Service Center or from the factory Warranty Service Department. When ordering, please supply the following information:

1. unit model number
2. unit serial number
3. part description
4. part number

Specifications

General

Channels..... all 23 channels in the Citizens Band (26.965 MHz-27.255 MHz)
Antenna impedance 50 ohms, nominal
Power requirement 11.5 VDC-14.5 VDC
negative or positive ground
Compliance Type accepted under FCC Rules, Part 95

Receiver Section

Circuitry dual conversion superheterodyne with rf amplifier stage and 455 KHz ceramic filter
Sensitivity 0.7uV for 10dB (S+N)/N ratio
Intermediate frequency 1st IF — 10.695 MHz
2nd IF — 455 KHz
Audio output 3 watts, maximum
Current drain, receive about 300 mA (no signal)

Transmitter section

RF power output 4 watts
Emission AM, type 8A3
Spurious response rejection..... all harmonic and spurious suppression better than FCC requirements
Modulation AM, 90% typical
Current drain, transmit..... less than 1.2 amp @ 13.8 VDC

CHAPTER 2 — THEORY OF OPERATION

General

The theory of operation of the Hy-Gain 2680 transceiver is divided into three sections: the Phase Locked Loop Frequency Synthesizer, the Receiver, and the Transmitter. This material covers the functioning of the transceiver with a minimum of technical involvement. We have not attempted to explain the engineering techniques and approaches that arrived at these circuit designs.

Refer to the block diagram, Figure 2-2 for visual reference to the theory of operation.

Phase Locked Loop Frequency Synthesizer

The Phase Locked Loop (PLL) frequency synthesizer generates frequencies for the use in both the transmitter and receiver sections. Its output determines the channel on which the transceiver is operating. The PLL circuitry incorporates three crystal oscillators to perform its frequency generating function.

The 11.8066 MHz Oscillator, Q105, has its output tripled and serves as a prescaler for the output of the Voltage Controlled Oscillator (VCO), Q101. The Offset Oscillator, Q109, operates at a frequency of 10.695 MHz, which mixes with the VCO output to provide the transmit frequency. The 10.24 MHz Oscillator, Q117, provides a reference for the PLL and an injection frequency for the Second Receiver Mixer.

The PLL circuit generates the operating frequencies needed for the transceiver in accordance with the code fed to the programmable divider, IC101, from the channel selector switch. Table A shows the following for each channel: the channel frequency, VCO frequency, Binary code and the division ratio of the programmable divider.

For example, assume that channel 1 has been selected. The channel frequency is 26.965 MHz, the VCO frequency is 37.660 MHz, and the Binary code ("N" code) is 224. The channel selector switch programs the Programmable Divider for a division ratio of 224. The 10.24 MHz reference frequency is fed to the Integrated Circuit PLL Chip, IC101. It is divided by 1024 within the chip, producing a 10 KHz reference signal. The output of the VCO is mixed in the PLL Mixer, Q102, with the tripled output of Q105, producing a 2.24 MHz signal. This signal is fed to the Programmable Divider, which divides it by 224 to produce 10 KHz.

The two 10 KHz signals are phase compared in the phase detector within IC101 producing a DC voltage. This DC voltage controls the varactor diode, D102, and holds the VCO frequency at 37.660 MHz.

Assume that the channel is changed to channel 23. The channel selector switch now provides a code that will produce a division ratio of 253. At this instant the VCO frequency is at 37.660 MHz, which is mixed with the tripled output of Q105. Again, the PLL Mixer, Q102, produces an output of 2.24 MHz. The 2.24 MHz signal is divided by 253 to produce a frequency of 8.73 KHz.

The 8.73 KHz output, along with the 10 KHz obtained from the reference oscillator, is fed to the phase detector. The comparison of the two frequencies in the phase detector produces an error output which is a combined AC-DC voltage. The low pass filter removes the AC component and allows only the DC voltage to be fed to the VCO. The VCO frequency changes until the output of the programmable divider is again 10 KHz. When the two frequencies are matched at 10 KHz, the error voltage output of the phase detector is zero.

There is now a new DC voltage set up to tune the VCO frequency to 37.950 MHz. When this occurs the loop is considered locked. With the channel selector at 23, the following outputs of the PLL circuitry are produced: the 37.950 MHz VCO output is

Block Diagram of PLL Circuitry — Model 2680

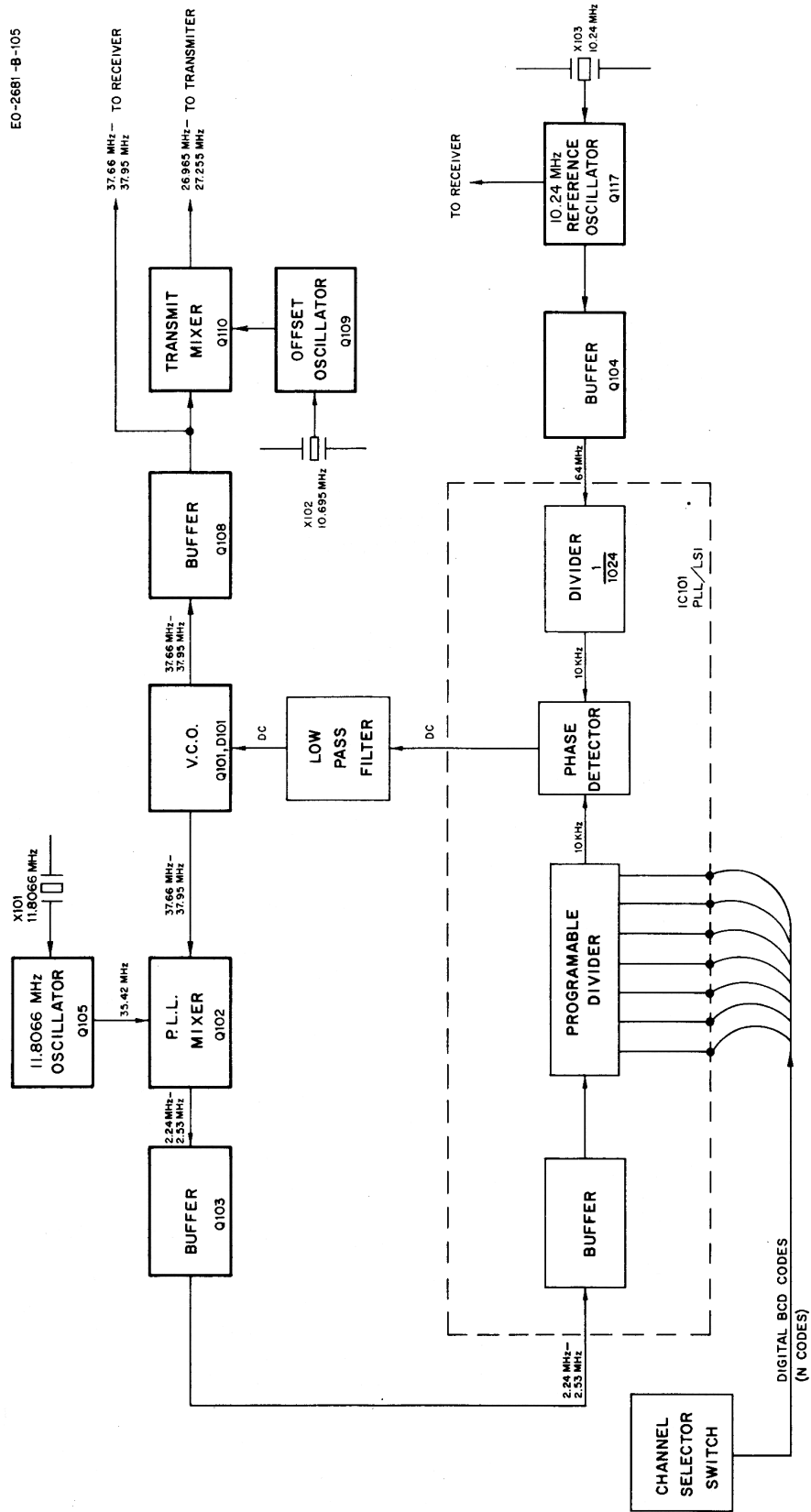


Figure 2-1

Receiver

fed to the First Receiver Mixer and, in the transmit mode, is mixed with the 10.695 MHz output of Q109 to produce a transmit frequency of 27.255 MHz.

The receiver is a dual-conversion superheterodyne, receiving AM signals from 26.965 MHz to 27.255 MHz. The operating channel is determined by the PLL frequency synthesizer, which provides the local oscillator frequency to the First Mixer. A variable squelch circuit is included to quiet the receiver between transmissions.

In the receive mode, 13.8 VDC is supplied to IC102, Q114, Q115, Q118, Q119 and to Q106 (the AVR). The AVR supplies regulated voltage to the synthesizer stages and to the Reference Oscillator, Q117. A bias voltage is also applied to the base of the Transmit Switch open, so that the transceiver circuits remain in receive.

Radio signals are received by the antenna and enter the radio at the antenna jack. The filter formed by L109, L110, C152, and C1 matches the antenna impedance to the RF Amplifier. Signals in the 26.965 MHz — 27.255 MHz range are filtered out and amplified by the RF Amplifier, Q114, and its tuned circuit C154/T104 and T105. D107 is a signal overload protector.

The output of the RF Amplifier and the buffered VCO signal (which in this case could be called the “first local oscillator frequency”) are applied to the First Receive Mixer and produce an output of 10.695 MHz, which is the first IF.

The first IF passes through tuned circuits L112 and T106. It is then applied to the Second Receive Mixer, Q116, along with 10.240 MHz from the Reference Oscillator, Q117. The two signals are mixed in the Second Receive Mixer and produce an output of 455 KHz, which is the second IF.

The second IF passes through the Ceramic Filter, CF101, and is amplified by Q118 and Q119. The amplified signal is then fed to the Detector, D110. The Detector establishes an automatic gain control (AGC) voltage and recovers the audio from the modulated signal. The AGC voltage maintains the output volume of the receiver constant under variations in input signal strength and also controls the Squelch Switch, Q120.

The squelch functions in the following manner: in the receive mode, a bias voltage from Q106 is applied to the base of Q120, as determined by RV101. In the absence of a signal, the base of Q120 is positively biased and is on. This biases the squelch transistor inside IC102, which turns off the Audio Amplifier and squelches the receiver. When a signal is received, the AGC voltage developed by D110 biases Q120 off. This biases the squelch transistor inside IC102 such that the audio amplifier is turned on and the signal is heard.

The recovered audio from the Detector passes through a series Automatic Noise Limiter (ANL), D108. The output of the ANL goes through the volume control, VR1, and is RC coupled to the Audio Amplifier, IC102. The amplified output from IC102 passes through the audio transformer, T110, to be applied to the speaker jacks and the speaker.

Switching to the transmit mode is accomplished in the following manner: with the PTT switch is closed, the base of the DC Switch, Q107, is grounded. This establishes forward bias which causes Q107 to conduct. Regulated voltage from the Automatic Voltage Regulator (AVR), Q106, is then supplied through Q107 to Q109 and Q110. RF is now applied to Q111, Q112 and Q113.

Transmitter

The operating channel is determined by the PLL frequency synthesizer. The buffered VCO frequency is mixed in Q110 with the 10.695 MHz Offset Oscillator, Q109, output to yield the transmit frequency. The transmit frequency from Q110

passes through the filter circuit of L103, L104 and T102 and is applied to the Pre-driver, Q111. The filter circuit partially removes spurious signals from the transmit frequency.

The Pre-driver, Q111, and the Driver, Q112, form two stages of amplification leading to the final stage. The filter circuit of T103 follows Q111, and L106 follows Q112. These two circuits filter out the remaining spurious signals from the transmit frequency.

From the Driver the signal is applied to the final stage, the RF Power Amplifier, Q113. This is a current amplifier that raises the transmit signal to an output of four watts. Its output is applied to a filter, consisting of L109, C152, L110 and C1, and then to the antenna jack.

The transmit signal is modulated in the following manner: microphone output is applied to the Audio Amplifier, IC102. The output is applied to the collectors of Q112 and Q113 through the audio output transformer, T110. Control voltages for the transmit audio (ALC), Q122, and the Range Boost, Q121, come from detector diode D111. The transmit audio ALC boosts, or lowers, the amplifier gain in response to line voltage fluctuations. This insures full modulation of the carrier despite any changes in line voltage. The Range Boost reduces AF peaks so that a higher average AF level is supplied to the Audio Amplifier. This gives the desired high average modulation without overmodulation peaks.

N CODE — FREQUENCY CORRELATION CHART

Channel No.	Channel Frequency	"N" Code	V.C.O. Frequency	Channel Switch Output (PLL Inputs)				
				A	B	C	D	A
1	26.965 MHz	224	37.660 MHz	0	0	0	0	0
2	26.975 MHz	225	37.670 MHz	1	0	0	0	0
3	26.985 MHz	226	37.680 MHz	0	1	0	0	0
4	27.005 MHz	228	37.700 MHz	0	0	1	0	0
5	27.015 MHz	229	37.710 MHz	1	0	1	0	0
6	27.025 MHz	230	37.720 MHz	0	1	1	0	0
7	27.035 MHz	231	37.730 MHz	1	1	1	0	0
8	27.055 MHz	233	37.750 MHz	1	0	0	1	0
9	27.065 MHz	234	37.760 MHz	0	1	0	1	0
10	27.075 MHz	235	37.770 MHz	1	1	0	1	0
11	27.085 MHz	236	37.780 MHz	0	0	1	1	0
12	27.105 MHz	238	37.800 MHz	0	1	1	1	0
13	27.115 MHz	239	37.810 MHz	1	1	1	1	0
14	27.125 MHz	240	37.820 MHz	0	0	0	0	1
15	27.135 MHz	241	37.830 MHz	1	0	0	0	1
16	27.155 MHz	243	37.850 MHz	1	1	0	0	1
17	27.165 MHz	244	37.860 MHz	0	0	1	0	1
18	27.175 MHz	245	37.870 MHz	1	0	1	0	1
19	27.185 MHz	246	37.880 MHz	0	1	1	0	1
20	27.205 MHz	248	37.900 MHz	0	0	0	1	1
21	27.215 MHz	249	37.910 MHz	1	0	0	1	1
22	27.225 MHz	250	37.920 MHz	0	1	0	1	1
23	27.255 MHz	253	37.950 MHz	1	0	1	1	1

Table A

CHAPTER 3 — ALIGNMENT

General

These procedures must be followed to align the Hy-Gain 2680 transceiver. Alignment should not be undertaken unless the technician has adequate test equipment and a full understanding of the circuitry of the transceiver.

IMPORTANT: Tuning adjustment of this transceiver "shall be made by or under the immediate supervision and responsibility of a person holding a first or second-class commercial radio operator license," as stipulated in Part 95.97 (B) of the FCC Rules and Regulations.

The procedures are divided into two main sections: Transmitter Alignment, and Receiver Alignment. See *Equipment* below for a complete list of recommended equipment.

These procedures assume that proper voltages are present at all points in the unit, if not, troubleshoot before continuing.

NOTE: The ferrite cores in the tuned coils are easily chipped or broken. Therefore, always use care when inserting an alignment tool in the coil: insert it straight into the core.

Recommended Equipment

The following items of equipment are recommended for use in aligning the Hy-Gain 2680 transceiver.

1. Audio Signal Generator, 1 KHz
2. AC VTVM, 1 mV measurable
3. DC Ampere Meter, 2A
4. Variable Regulated Power Supply, DC 8-15V, 2A or higher
5. Frequency Counter, 0 to 40 MHz, high input impedance type
6. VTVM with RF probe
7. Oscilloscope, 30 MHz, high input impedance
8. RF wattmeter and 50 ohm, 5W dummy load
9. Standard RF signal generator, 27 MHz CB band
10. Speaker dummy resistor, 8 ohm, 5W
11. VOM 20K ohm/V

All test equipment should be properly calibrated.

NOTE: Test voltage is DC 13.8V unless otherwise specified.

Transmitter Alignment Procedure

Equipment Set-up

Refer to Figure 3-4 for the location of components to be adjusted for transmitter alignment.

Connect test equipment as shown below.

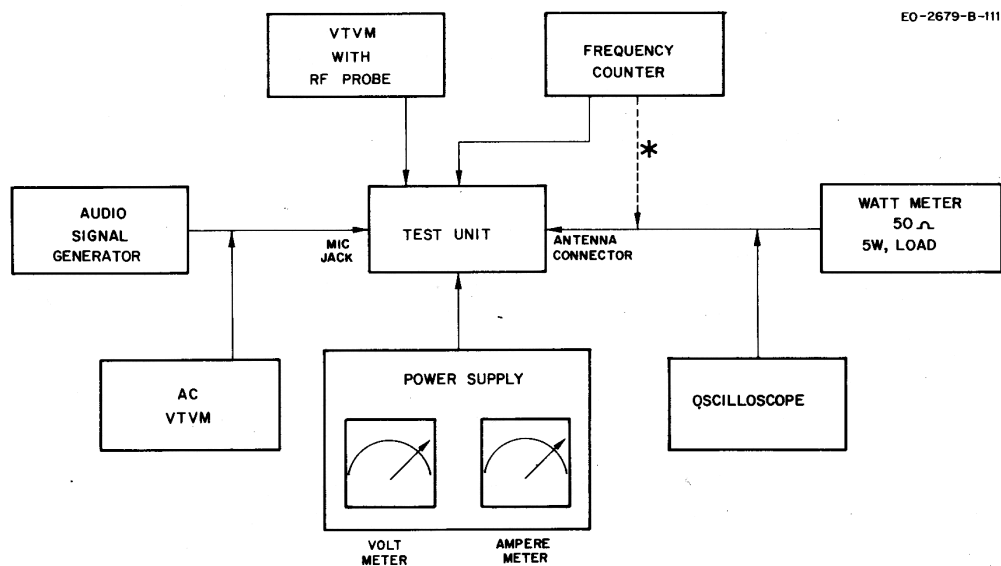


Figure 3-1

* NOTE: See Figure 3-3 for connection of the frequency counter and the dummy load.

Pre-Alignment Frequency Check

Before alignment, using the frequency counter through a 1000 pF coupling capacitor connected in series with the counter input probe, check the operating frequencies at the following points.

Pin 3 of IC101, reference input, check to read 10.24 MHz in accuracy.

Q108 base, transceiver on Ch 1, check to read 37.66 MHz in accuracy.

VCO Alignment

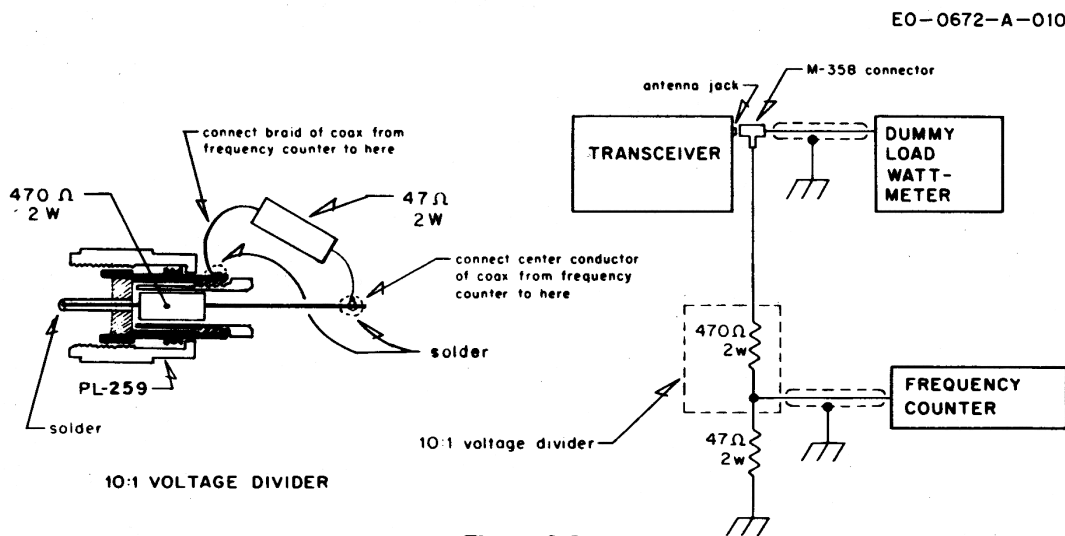
1. Connect VOM (DC 10V ranged) across C135 and check to read 5.0V - 5.5V.
2. Place the channel selector in the channel 1 position.
3. Connect the VOM between ground and R114 (TP-8 side).
4. Adjust T101 to obtain $1.5V \pm .1V$.
5. Place the channel selector in the open channel position. A voltage reading of 5.1 to 5.4V is obtained.
6. Place the channel selector in the channel 23 position and read the value on the meter. It should be $2.7 \pm 0.6V$.

RF Output Adjustment

1. Adjust the power supply voltage to 8.0 volts.
2. Connect the VTVM RF probe between the base of Q111 and ground.
3. Set the transceiver channel selector to channel 13. Perform the following procedure on channel 13.
4. Key the transmitter.
5. Adjust the slugs of L103, L104 and T102 for a maximum reading on the VTVM.
6. Connect the VTVM RF probe between the base of Q112 and ground.
7. Adjust the slug of T103 for a maximum reading on the VTVM.
8. Adjust L109, L110 for maximum RF power output as indicated on the wattmeter.
9. Raise the power supply voltage to 13.8V.
10. Repeat steps 2 thru 8.
11. Repeat step 8 until no further improvement is noted.
12. Back off L110 (counterclockwise) for a reading of 4.0 watts RF power output.
13. Readjust L109 for maximum power out.
14. Repeat steps 12 and 13 until the maximum power output is 4.0 watts with L109 peaked for maximum output.
Total transceiver current at this setting should not exceed 1.35A.

Transmitter Frequency Check

1. Turn the transceiver off.
2. Connect the dummy load and frequency counter of the antenna jack as shown below:



3. Key the transmitter with the microphone PTT button.
4. Check the frequency of each channel with the chart below, frequencies should be within 800 Hz at 25°C.

CHANNEL FREQUENCY			
Channel	MHz	Channel	MHz
1	26.965	13	27.115
2	26.975	14	27.125
3	26.985	15	27.135
4	27.005	16	27.155
5	27.015	17	27.165
6	27.025	18	27.175
7	27.035	19	27.185
8	27.055	20	27.205
9	27.065	21	27.215
10	27.075	22	27.225
11	27.085	23	27.255
12	27.105		

Modulation Sensitivity Alignment

1. Place the unit in the transmit mode and apply a 20 mV, 1 KHz signal to wire wrap pin 22 on the radio PC board.
2. Adjust RV-102 to obtain 90% modulation as observed on the oscilloscope.
3. Decrease the signal input to 6 mV. Modulation should not fall below 80%.

Receiver Alignment Procedure

Equipment Set-up

Refer to Figure 3-5 for the location of components to be adjusted for receiver alignment:

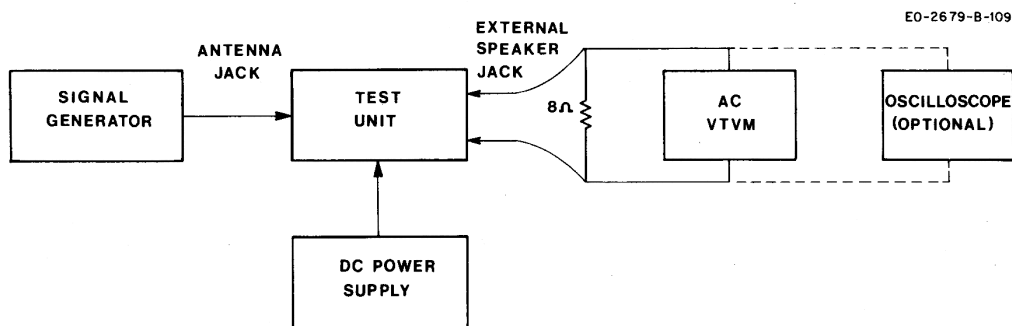


Figure 3-3

Receiver Alignment

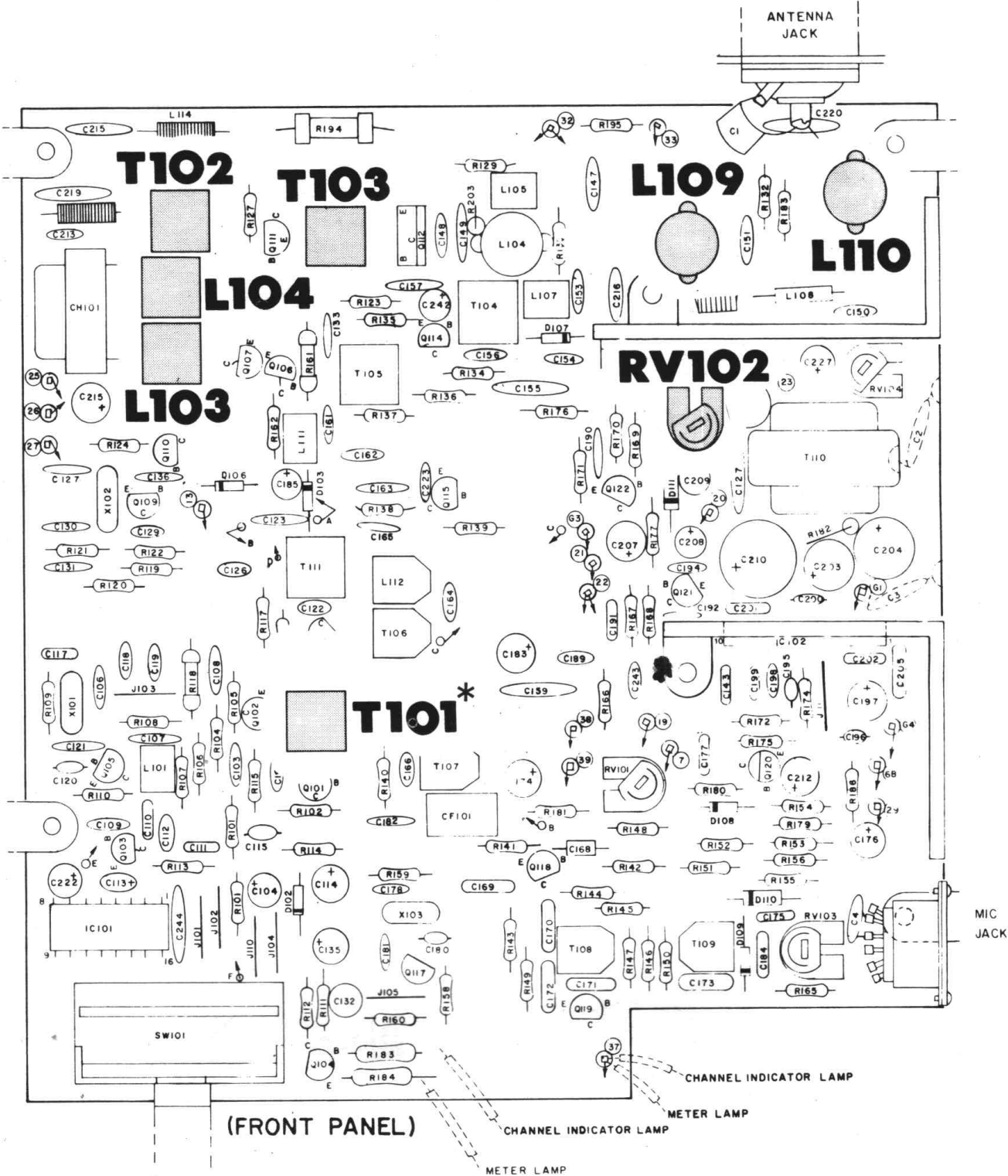
1. Set the Signal Generator to 27.115 MHz, 30% 1 KHz, modulation and set the transceiver to channel 13.

NOTE: This alignment should be performed with an extremely small signal input from the signal generator to avoid inaccurate alignment due to AGC action.

2. Adjust T104, T105, L112, T106, T107, T108 and T109 for maximum audio output as indicated on the AC VTVM (or oscilloscope if used).

Tight Squelch Adjustment

1. Set the signal generator to provide an RF input signal of 100 μ V, (1 KHz, 30% mod.).
2. Rotate the squelch control fully clockwise.
3. Adjust RV-101 so that the squelch just breaks with the 100 μ V signal input.

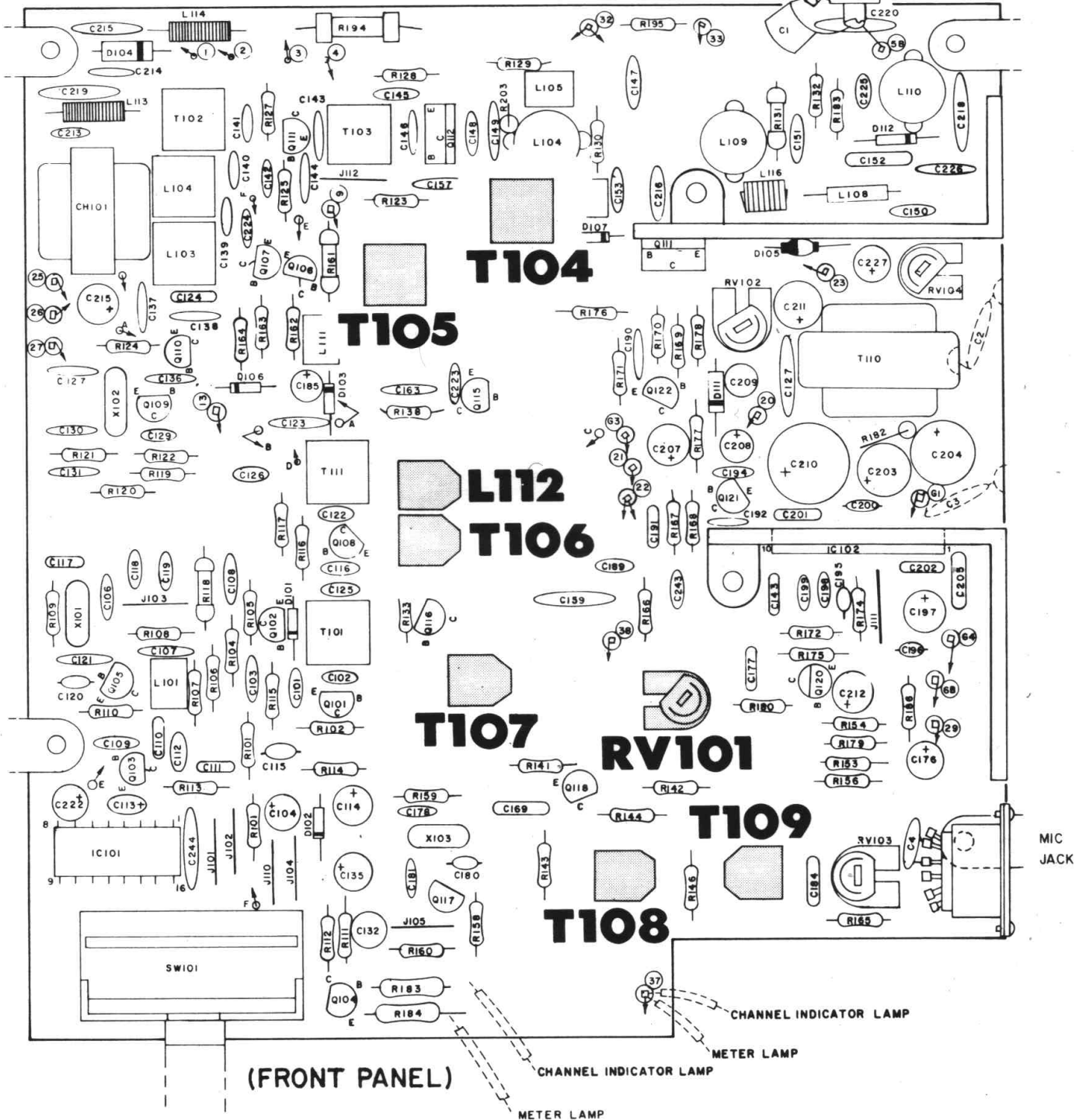


NOTE: T101 is adjusted for VCO alignment only.

Figure 3-4

Components Adjusted for Transmitter Alignment

ANTENNA JACK



(FRONT PANEL)

Figure 3-5

Components Adjusted for Receiver Alignment

CHAPTER 4 — CHARTS AND DRAWINGS



VOLTAGE CHARTS

VOLTAGE MEASUREMENT CHART

Ref. Desig.		E	B	C
Q101	RX	0	0	2.2
	TX	0	0	2.2
Q102	RX	0	0.2	2.8
	TX	0	0.2	2.8
Q103	RX	0	0.6	1.8
	TX	0	0.6	1.8
Q104	RX	0	0.5	2.4
	TX	0	0.5	2.4
Q105	RX	2.0	2.4	3.3
	TX	2.0	2.4	3.3
Q106	RX	7.8	8.4	12.5
	TX	7.8	8.4	11.5
Q107	RX	7.8	7.4	0.4
	TX	7.8	7.2	7.8
Q108	RX	0	0.6	3.6
	TX	0	0.6	3.6
Q109	RX	0	0.4	0.4
	TX	2.2	2.6	4.2
Q110	RX	0	0	0.4
	TX	1.7	2.2	7.8
Q111	RX	1.3	2.0	13.5
	TX	0.8	1.4	12.8
Q112	RX	0	0	13.8
	TX	0	0	10.0
Q113	RX	0	0	13.8
	TX	0	0	10.0
Q114	RX	1.6	2.2	12.5
	TX	0.4	0.3	12.5
Q115	RX	1.6	2.2	12.0
	TX	0	0.3	12.7
Q116	RX	0	0.4	0
	TX	0	0.4	0
Q117	RX	1.6	2.0	3.0
	TX	1.6	2.0	3.0
Q118	RX	1.5	2.0	12.0
	TX	0	0.3	12.7
Q119	RX	0.6	1.2	12.2
	TX	0	0.2	12.6
Q120	SQ	0	0.6	6.4
	UNSQ	0	0	0
Q121	RX	0	0	0
	TX	0	0.05	0
Q122	RX	0	0.5	0
	TX	0	0.5	0

IC 102 (BA 521)

Pin No.	1	2	3	4	5	6	7	8	9	10
Voltage	6.6	0	1.0	6.5	6.4	6.4	0.8	7.7	13	13

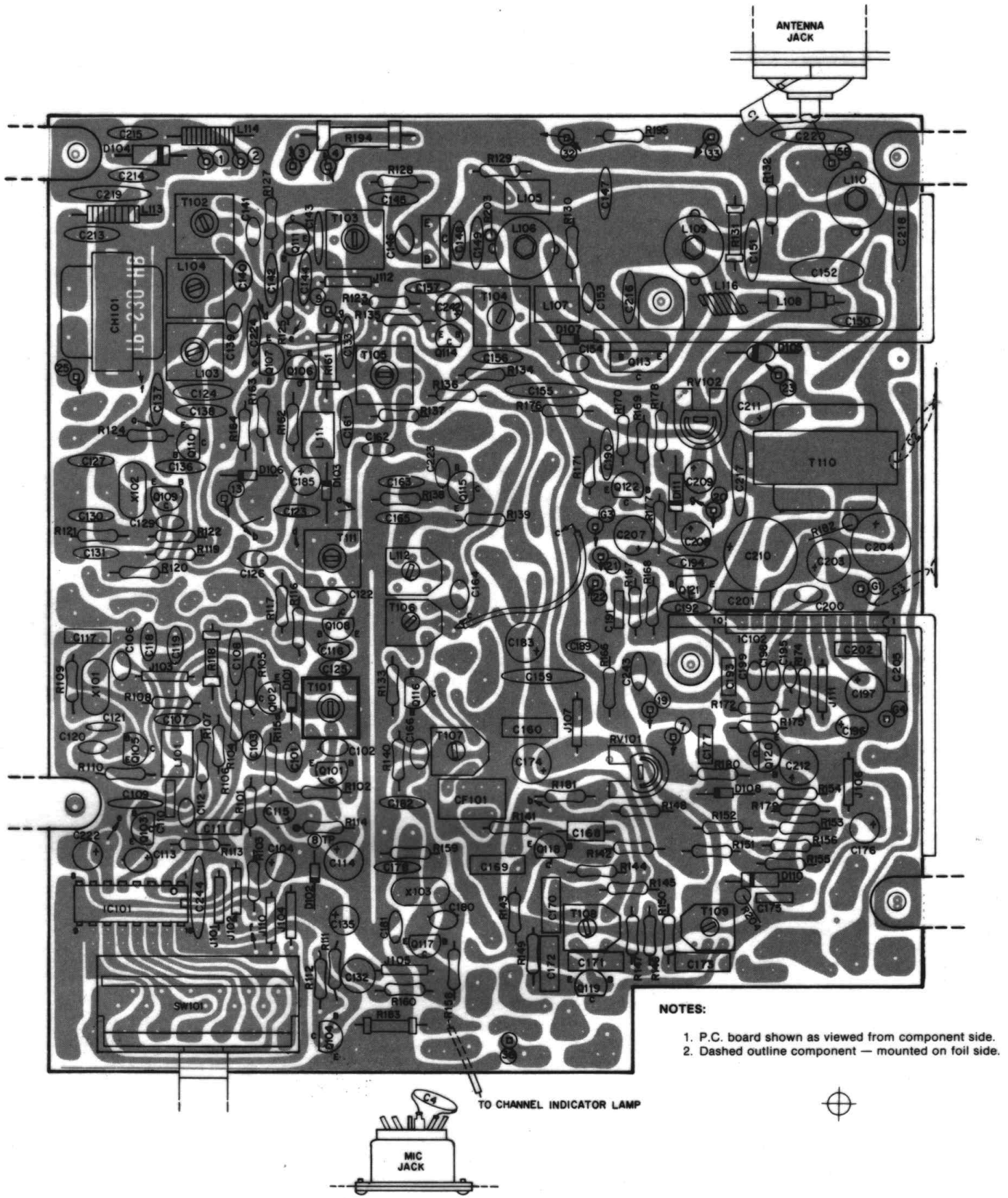
IC 101 (P.L.L. 02A)

Pin. No.	Voltage	Channels Selected
1	4.7	N/A
2	1.8	N/A
3	2.8	N/A
4	4.6	N/A
5	1.5 - 2.5	All Channels
6	4.2	N/A
7	0	N/A
8	4.7	N/A
9	4.7	N/A
10	4.7	N/A
11	4.7	14, 15, 16, 17, 18, 19, 20, 21, 22, 23
12	4.7	8, 9, 10, 12, 13, 20, 21, 22, 23
13	4.7	4, 5, 6, 7, 11, 12, 13, 17, 18, 19, 23
14	4.7	3, 6, 7, 9, 10, 12, 13, 16, 19, 22
15	4.7	2, 5, 7, 8, 10, 13, 15, 16, 18, 21, 23
16	0	N/A

NOTE: ALL voltage readings are taken with the power source set at exactly 13.8 V.D.C.



COMPONENT OUTLINES



- NOTES:**
1. P.C. board shown as viewed from component side.
 2. Dashed outline component — mounted on foil side.

Figure 4-1
P.C. Board Component Outline — Model 2680

PARTS LIST

Main P.C. Board

Reference Designator	Description	Part No.
	main, p.c. board, complete	APTBM36AT
	main, p.c. board, plated and drilled	PTBMD36AOX
C101	18pF, 50V, ceramic disc	CC-CB180KCM
C102	22pF, 50V, ceramic disc	CC-CB220KOM
C103	1pF, 50V, ceramic disc	CC-CB010CCM
C104	10uF, 16V, electrolytic	CE-ED100ALN
C105	(not used)	
C106	10pF, 50V, ceramic disc	CC-CB100DOM
C107	.01uF, 50V, ceramic disc	CK-CB103PEM
C108	330pF, 50V, ceramic disc	CC-CB331KOM
C109	330pF, 50V, ceramic disc	CC-CB331KOM
C110	.001uF, 50V, mylar	CQ-MB102KCH
C111	.01uF, 50V, mylar	CQ-MB103KCH
C112	39pF, 50V, ceramic disc	CC-CB390KOM
C113	.22uF, 50V, electrolytic	CE-EGR22ZMN
C114	10uF, 16V, electrolytic	CE-ED100KMN
C115	.1uF, 50V, electrolytic	CE-EGR10ZMN
C116	16pF, 50V, ceramic disc	CC-CB150KOM
C117	.01uF, 50V, mylar	CQ-MB103KCH
C118	56pF, 50V, ceramic disc	CC-CB569KPM
C119	12pF, 50V ceramic disc	CB-CC1201CPM
C120	560pF, 50V, ceramic disc	CK-CB561KBM
C121	100pF, 50V, ceramic disc	CC-CB101KPM
C122	15pF, 50V, ceramic disc	CC-CB150KOM
C123	.01uF, 50V, ceramic disc	CK-CB103PEM
C124	100pF, 500V, mica	CM-SD101KCS
C125	33pF, 50V, ceramic disc	CC-CB330KOM
C126	12pF, 50V, ceramic disc	CC-CB120KPM
C127	56pF, 50V, ceramic disc	CC-CB560KPM
C128	(not used)	
C129	560pF, 50V, ceramic disc	CK-CB561KBM
C130	82pF, 50V, ceramic disc	CC-CB820KPM
C131	.01uF, 50V, ceramic disc	CK-CB103PEM
C132	560pF, 50V, mylar	CQ-MB561KCH
C133	.01uF, 50V, ceramic disc	CK-CB103PEM
C134	(not used)	
C135	10uF, 16V, electrolytic	CE-ED100ALN
C136	220pF, 50V, ceramic disc	CC-CB221KOM
C137	.01uF, 50V, ceramic disc	CK-CB103PEM
C138	.01uF, 50V, ceramic disc	CK-CB103PEM
C139	2pF, 50V, ceramic disc	CC-CB020COM
C140	2pF, 50V, ceramic disc	CC-CB020COM
C141	68pF, 50V, ceramic disc	CC-CB680KOM
C142	.01uF, 50V, ceramic disc	CK-CB103PEM
C143	100pF, 50V, ceramic disc	CC-CB101KPM
C144	.01uF, 50V, ceramic disc	CK-CB103PEM
C145	.01uF, 50V, ceramic disc	CK-CB103PEM
C146	470pF, 50V, ceramic disc	CK-CB471KBM
C147	.01uF, 50V, ceramic disc	CK-CB103PEM
C148	120pF, 50V, ceramic disc	CC-CB121KPM
C149	220pF, 50V, ceramic disc	CC-CB221KOM
C150	.01uF, 50V, mica	CK-CB103PEM
C151	100pF, 500V, mica	CM-SD101KCS
C152	270pF, 500V, ceramic disc	CM-SD271KCS
C153	82pF, 50V, ceramic disc	CC-CB820KOM
C154	27pF, 50V, ceramic disc	CC-CB270KOM
C155	.047uF, 50V, ceramic disc	CK-CB473ZFM
C156	.01uF, 50V, ceramic disc	CK-CB103PEM
C157	.01uF, 50V, ceramic disc	CK-CB103PEM
C158	(not used)	
C159	.047uF, 50V, ceramic disc	CK-CB473ZFM
C160	.047uF, 50V, mylar	CQ-MB473KCH
C161	.01uF, 50V, ceramic disc	CK-CB103PEM
C162	33pF, 50V, ceramic disc	CC-CB330KPM
C163	.01uF, 50V, ceramic disc	CK-CB103PEM
C164	2pF, 50V, ceramic disc	CC-CB020COM
C165	.01uF, 50V, ceramic disc	CK-CB103PEM
C166	10pF, 50V, ceramic disc	CC-CB100DOM
C167	(not used)	
C168	2.2pF, 500V, ceramic disc	CG-2H2R2KNN

Reference Designator	Description	Part No.
C169	.047uF, 50V, mylar	CQ-MB473KCH
C170	.047uF, 50V, mylar	CQ-MB473KCH
C171	.047uF, 50V, mylar	CQ-MB473KCH
C172	.047uF, 50V, mylar	CQ-MB473KCH
C173	.047uF, 50V, mylar	CQ-MB473KCH
C174	3.3uF, 25V, electrolytic	CE-EE3R3ALN
C175	.0047uF, 50V, mylar	CQ-MB472KCH
C176	1uF, 50V, electrolytic	CE-EG010ALN
C177	2200pF, 50V, mylar	CQ-MB223KCH
C178	56pF, 50V, ceramic disc	CC-CB560KPM
C179	(not used)	
C180	560pF, 50V, ceramic disc	CK-CB561KBM
C181	100pF, 50V, ceramic disc	CC-CB101KOM
C182	68pF, 50V, ceramic disc	CC-CB680KPM
C183	10uF, 16V, electrolytic	CE-ED100ALN
C184	(not used)	
C185	47uF, 16V, electrolytic	CE-ER470ALN
C186 through		
C188	(not used)	
C189	.0022uF, 50V, ceramic disc	CK-CC222KBM
C190	.01uF, 50V, ceramic disc	CK-CB103PEM
C191	.022uF, 50V, mylar	CQ-MB223KCH
C192	150pF, 50V, ceramic disc	CC-CB151KOM
C193	.01uF, 50V, mylar	CQ-MB103KCH
C194	.01uF, 50V, ceramic disc	CK-CB103PEM
C195	390pF, 50V, ceramic disc	CK-CB391KBM
C196	5.6uF, 25V, tantalum	CS-SE5R6MDN
C197	33uF, 6.3V, electrolytic	CE-EB330ALN
C198	68pF, 50V, ceramic disc	CC-CB680KOM
C199	68pF, 50V, ceramic disc	CC-CB680KOM
C200	390pF, 50V, ceramic disc	CK-CB391KBM
C201	.068uF, 50V, mylar	CQ-MB683KCH
C202	.022uF, 50V, mylar	CQ-MB223KCH
C203	47uF, 16V, electrolytic	CE-ED470ALN
C204	220uF, 16V, electrolytic	CE-AD221ZLS
C205	.068uF, 50V, mylar	CQ-MB683KCH
C206	(not used)	
C207	33uF, 6.3V, electrolytic	CE-EB330ALN
C208	10uF, 16V, electrolytic	CE-ED100ALN
C209	1uF, 50V, electrolytic	CE-EG010ALN
C210	1000uF, 16V, electrolytic	CE-ED102ZUN
C211	47uF, 25V, electrolytic	CE-AE470ZLS
C212	33uF, 6.3V, electrolytic	CE-EB330ALN
C213	.01uF, 50V, ceramic disc	CK-CB103PEM
C214	.01uF, 50V, ceramic disc	CK-CB103PEM
C215	.01uF, 50V, ceramic disc	CK-CB103PEM
C216	.01uF, 50V, ceramic disc	CK-CB103PEM
C217	.047uF, 50V, ceramic disc	CK-CB473ZFM
C218	.047uF, 50V, ceramic disc	CK-CB473ZFM
C219	.047uF, 50V, ceramic disc	CK-CB473ZFM
C220	.047uF, 50V, ceramic disc	CK-CB473ZFM
C221	(not used)	
C222	4.7uF, 25V, electrolytic	CE-EE4R7ZMN
C223	39pF, 50V, ceramic disc	CC-CB390KOM
C224	.01uF, 50V, ceramic disc	CK-CB103PEM
C225 through		
C241	(not used)	
C242	1uF, 50V, electrolytic	CE-EG010ALN
C243	100pF, 50V, ceramic disc	CC-CB101KOM
C244	.047uF, 50V, ceramic disc	CK-CB473ZFM
CF101	ceramic filter	FB-R455A98M
CH101	choke coil	LJ-119H001Y
D101	1TT410, silicon	QD-CTT410XQ
D102	MZ205, silicon, zener	QD-ZM2205XE
D103	RD9.1E, silicon, zener	QD-ZRD9EXAA
D104	1S1885, silicon	QD-SS1885XT
D105	V06C, silicon	QD-SV06CXXB
D106	1S1555, silicon	QD-SS1555XT
D107	1S1555, silicon	QD-SS1555XT
D108	1S1555, silicon	QD-SS1555XT
D109	(not used)	
D110	1N60, germanium	QD-G1N60XXT
D111	1N60, germanium	QD-G1N60XXT

Reference Designator	Description	Part No.
IC101	PLL02A	QQ-OPLL02AO
IC102	(TOYO) BA521	QQ-MBA521AX
L101	rf coil	LF-220KDO1N
L102	(not used)	
L103	rf coil	TR-10CD004S
L104	rf coil	TR-10CD005S
L105	rf coil	LF-2R2KD01N
L106	rf coil	TR-A5CZ001M
L107	rf coil	LF-680KD01N
L108	rf coil	LD-ADX3825M
L109	rf coil	TR-A5CZ002M
L110	rf coil	TR-A5CZ003M
L111	rf coil	LF-680KD01N
L112	rf coil	TR-07MB008N
L113	rf coil	LD-ADB4024B
L114	rf coil	LD-ADB4024B
L115	(not used)	
L116	rf coil	LA-1KE1011A
Q101	(MITSUBISHI) 2SC710 (D)	QT-CO710XBE
Q102	(MITSUBISHI) 2SC710 (D)	QT-CO710XBE
Q103	(NEC) 2SC829 (B)	QT-CO829XAN
Q104	(MITSUBISHI) 2SC710 (D)	QT-CO710XBE
Q105	(MITSUBISHI) 2SC710 (D)	QT-CO710XBE
Q106	(MITSUBISHI) 2SC1318 (Q)	QT-C1318XAN
Q107	(MITSUBISHI) 2SA719 (Q)	QT-A0719XAN
Q108	(NEC) 2SC1359 (B)	QT-C1359XAN
Q109	(MITSUBISHI) 2SC710 (D)	QT-CO710XBE
Q110	(MITSUBISHI) 2SC710 (D)	QT-CO710XBE
Q111	2SC1687	QT-C1687XAN
Q112	(SONY) 2SC1760-3	QT-C1760XAS
Q113	(NEC) 2SC1306	QT-C1306XZA
Q114	2SC1047 (B)	QT-C1047XAN
Q115	(NEC) 2SC1359 (B)	QT-C1359XAN
Q116	(NEC) 2SC829 (C)	QT-CO829XBN
Q117	(MITSUBISHI) 2SC710 (D)	QT-CO710XBE
Q118	(NEC) 2SC829 (C)	QT-CO829XBN
Q119	(NEC) 2SC829 (C)	QT-CO829XBN
Q120	2SC372 (Y)	QT-CO372XAT
Q121	2SC828P.Q	QT-CO828XDN
Q122	2SC828P	QT-CO828XAN
R101	100, 5%, 1/4w, carbon film	RD-25RJ101D
R102	100k, 5%, 1/4w, carbon film	RD-25RJ104D
R103	1.5k, 5%, 1/4w, carbon film	RD-25RJ152D
R104	1.5k, 5%, 1/4w, carbon film	RD-25RJ152D
R105	220, 5%, 1/4w, carbon film	RD-25RJ221D
R106	1.5k, 5%, 1/4w, carbon film	RD-25RJ152D
R107	100k, 5%, 1/4w, carbon film	RD-25RJ104D
R108	1.5k, 5%, 1/4w, carbon film	RD-25RJ152D
R109	100k, 5%, 1/4w, carbon film	RD-25RJ104D
R110	2.2k, 5%, 1/4w, carbon film	RD-25RJ222D
R111	1k, 5%, 1/4w, carbon film	RD-25RJ102D
R112	100k, 5%, 1/4w, carbon film	RD-25RJ104D
R113	3.3k, 5%, 1/4w, carbon film	RD-25RJ332D
R114	470, 5%, 1/4w, carbon film	RD-25RJ471D
R115	22k, 5%, 1/4w, carbon film	RD-25RJ223D
R116	470, 5%, 1/4w, carbon film	RD-25RJ471D
R117	33k, 5%, 1/4w, carbon film	RD-25RJ333D
R118	100, 5%, 1/2w, metal oxide	RG-HAPJ101B
R119	1.5k, 5%, 1/4w, carbon film	RD-25RJ152D
R120	100k, 5%, 1/4w, carbon film	RD-25RJ104D
R121	1k, 5%, 1/4w, carbon film	RD-25RJ102D
R122	1k, 5%, 1/4w, carbon film	RD-25RJ102D
R123	82k, 5%, 1/4w, carbon film	RD-25RJ823D
R124	270, 5%, 1/4w, carbon film	RD-25RJ271D
R125	10k, 5%, 1/4w, carbon film	RD-25RJ103D
R126	(not used)	
R127	68, 5%, 1/4w, carbon film	RD-25RJ680D
R128	100, 5%, 1/4w, carbon film	RD-25RJ101D
R129	220, 5%, 1/4w, carbon film	RD-25RJ221D
R130	47, 5%, 1/4w, carbon film	RD-25RJ470D
R131	10, 5%, 1/2w, metal oxide	RX-HAPJ100B
R132	47k, 5%, 1/4w, carbon film	RD-25RJ473D
R133	1k, 5%, 1/4w, carbon film	RD-25RJ102D

Reference Designator	Description	Part No.
R134	680, 5%, 1/4w, carbon film	RD-25RJ681D
R135	1.5k, 5%, 1/4w, carbon film	RD-25RJ152D
R136	100, 5%, 1/4w, carbon film	RD-25RJ101D
R137	1.8k, 1/4w, carbon film	RD-25RJ182D
R138	1k, 5%, 1/4w, carbon film	RD-25RJ102D
R139	470, 5%, 1/4w, carbon film	RD-25RJ471D
R140	100k, 5%, 1/4w, carbon film	RD-25RJ104D
R141	1k, 5%, 1/4w, carbon film	RD-25RJ102D
R142	4.7k, 5%, 1/4w, carbon film	RD-25RJ472D
R143	470, 5%, 1/4w, carbon film	RD-25RJ471D
R144	4.7k, 5%, 1/4w, carbon film	RD-25RJ473D
R145	220, 5%, 1/4w, carbon film	RD-25RJ221D
R146	330, 5%, 1/4w, carbon film	RD-25RJ331D
R147	1.5k, 5%, 1/4w, carbon film	RD-25RJ152D
R148	27k, 5%, 1/4w, carbon film	RD-25RJ273D
R149	220, 5%, 1/4w, carbon film	RD-25RJ221D
R150	47, 5%, 1/4w, carbon film	RD-25RJ470D
R151	22k, 5%, 1/4w, carbon film	RD-25RJ223D
R152	270k, 5%, 1/4w, carbon film	RD-25RJ474D
R153	47k, 5%, 1/4w, carbon film	RD-25RJ473D
R154	68k, 5%, 1/4w, carbon film	RD-25RJ683D
R155	33k, 5%, 1/4w, carbon film	RD-25RJ333D
R156	47k, 5%, 1/4w, carbon film	RD-25RJ473D
R157	(not used)	
R158	100k, 5%, 1/4w, carbon film	RD-25RJ104D
R159	1.5k, 5%, 1/4w, carbon film	RD-25RJ152D
R160	1.5k, 5%, 1/4w, carbon film	RD-25RJ152D
R161	22, 5%, 1/2w, metal oxide	RG-HAPJ220B
R162	1k, 5%, 1/4w, carbon film	RD-25RJ102D
R163	390, 5%, 1/4w, carbon film	RD-25RJ391D
R164	10k, 5%, 1/4w, carbon film	RD-25RJ103D
R165	(not used)	
R166	3.3k, 5%, 1/4w, carbon film	RD-25RJ332D
R167	27k, 5%, 1/4w, carbon film	RD-25RJ273D
R168	3.3k, 5%, 1/4w, carbon film	RD-25RJ332D
R169	220k, 5%, 1/4w, carbon film	RD-25RJ224D
R170	22k, 5%, 1/4w, carbon film	RD-25RJ223D
R171	150, 5%, 1/4w, carbon film	RD-25RJ151D
R172	2.2k, 5%, 1/4w, carbon film	RD-25RJ222D
R173	(not used)	
R174	10, 5%, 1/4w, carbon film	RD-25RJ100D
R175	10k, 5%, 1/4w, carbon film	RD-25RJ103D
R176	82, 5%, 1/4w, carbon film	RD-25RJ820D
R177	270, 5%, 1/4w, carbon film	RD-25RJ271D
R178	680, 5%, 1/4w, carbon film	RD-25RJ681D
R179	22k, 5%, 1/4w, carbon film	RD-25RJ223D
R180	1.8k, 5%, 1/4w, carbon film	RD-25RJ182D
R181	18k, 5%, 1/4w, carbon film	RD-25RJ183D
R182	100, 5%, 1/4w, carbon film	RD-14VJ101D
R183	270, 5%, 1/2w, metal oxide	RG-HAPJ271B
R184 through R193	(not used)	
R194	15, 5%, 2w, metal oxide	RX-2ANJ150N
R195	1.5k, 5%, 1/4w, carbon film	RD-25RJ152D
R196 through R202	(not used)	
R203	560, 5%, 1/4w, carbon film	RD-25RJ561D
R204	560, 5%, 1/4w, carbon film	RD-25RJ561D
RV101	10k, potentiometer	RP-GNB10301
RV102	2k, potentiometer	RP-GNB20201
SW101	switch, rotary wafar	SR-0724102W
T101	rf transformer	TR-10DA002T
T102	rf transformer	TR-10CB001S
T103	rf transformer	TR-10CP005S
T104	rf transformer	TR-10MP003T
T105	rf transformer	TR-10CA005S
T106	rf transformer	TR-07MB008N
T107	i-f transformer	TR-07LA004N
T108	i-f transformer	TR-07LA005N
T109	i-f transformer	TR-07LA023N
T110	af transformer	TB-G25B001W
T111	i-f transformer	TR-10MB003T

Reference Designator	Description	Part No.
X101	11.8066 MHz, crystal	XA-SIB4001N
X102	10.695 MHz, crystal	XA-SIB3002N
X103	10.240 MHz, crystal	XA-SIB3001N

CHASSIS MOUNTED COMPONENTS

Reference Designator	Description	Part No.
C1	220pF, 500V, mica	CM-SD221KCS
C2	.01uF, 50V, ceramic disc	CK-DB103PEM
C3	.01uF, 50V, ceramic disc	CK-DB103PEM
C4	.01uF, 50V, ceramic disc	CK-DB103PEM
C5	.01uF, 50V, ceramic disc	CK-DB103PEM
J1	jack, antenna	YJ-CO25009Z
J2	jack, 5 pin Din	YJ-DO55001Z
J3	jack, external speaker	YJ-TO35003Z
J4	jack, remote speaker	YJ-SO45002Z
PL	lamp, channel selector	ZP-A064101U
S	speaker, 8 ohm	ZQ-AO770802
S1	switch, on/off (part of volume control)	RV-NB503A02
VR1	50k, potentiometer	RV-NB503A02
VR2	10k, potentiometer	RV-NA503B04

MECHANICAL PARTS

Part No.	Description	Qty.
MB-762SZ024	panel, front plastic	1
MU-677SZ026	chassis, main frame	1
MU-773SM037	case, (upper)	1
MU-7735M038	case, (lower)	1
ML-121SZ007	bracket, speaker	1
AV-KNOB#047	knob, channel selector	1
VN-376M002	knob, volume and squelch control	2
VM-165RX001	holder, lamp	1
YH-F1S300V	holder, fuse	1
ZF-BQ20202Z	fuse, 2A 30mm	1
AC-DC027GEA	cord, DC power	1
VM-270NB001	bushing, power cord	1

ACCESSORY PARTS

MU-276SW001	bracket, mobile mounting	1
MF-284SN001	handscrew	2
MZ-331SZ002	holder, microphone	1
BT-PT5013BN	screw, self-tapping, M5 x 13	4
BW-G50A065W	washer, outside toothed M5	4
BT-PP4010BZ	screw, self-tapping M4 x 10	2
BW-U40855SW	washer, inside-toothed	2
ZG-AAZ70101	microphone	1



SCHEMATIC DIAGRAMS

HY-GAIN DE PUERTO RICO, INC.

**P.O. Box 68 State Hwy 31, Km. 4.0
Naguabo, Puerto Rico 00718**