

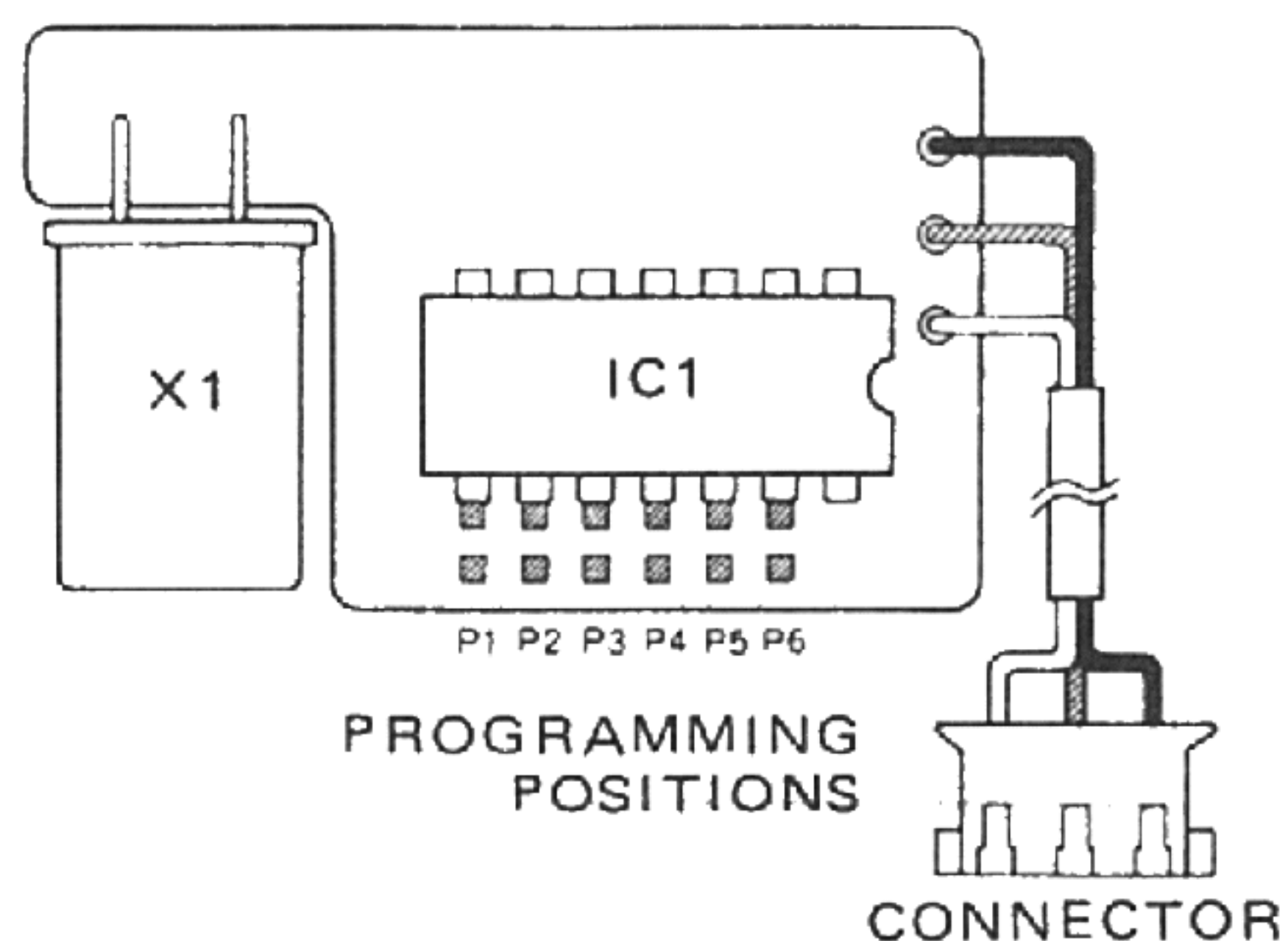
**ICOM****INSTRUCTIONS****UT-30****PROGRAMMABLE TONE ENCODER UNIT**

The **UT-30** allows access to repeater stations that require subaudible tones superimposed on the transmit signal. 38 different tones are available and fully programmable. The **UT-30** is factory programmed for 88.5Hz. Use the programming chart below to program the **UT-30** for the required frequency.

**SPECIFICATIONS**

- Oscillation frequencies:  
67.0 ~ 250.3Hz ±0.3%
- Current drain:  
Less than 2mA

"1" indicates pins to be soldered to program the UT-30 for specific tones.

**■ SUBAUDIBLE TONE ENCODER PROGRAMMING CHART**

FRE-QUENCY	P1	P2	P3	P4	P5	P6	FRE-QUENCY	P1	P2	P3	P4	P5	P6
67.0	1						131.8			1		1	
71.9		1					136.5	1		1		1	
74.4	1	1					141.3		1	1		1	
77.0			1				146.2	1	1	1		1	
79.7	1		1				151.4				1	1	
82.5		1	1				156.7	1			1	1	
85.4	1	1	1				162.2		1		1	1	
88.5				1			167.9	1	1		1	1	
91.5	1			1			173.8			1	1	1	
94.8		1		1			179.9	1		1	1	1	
97.4	1	1		1			186.2		1	1	1	1	
100.0			1	1			192.8	1	1	1	1	1	
103.5	1		1	1			203.5						1
107.2		1	1	1			210.7	1					1
110.9	1	1	1	1			218.1		1				1
114.8					1		225.7	1	1				1
118.8	1				1		233.6			1			1
123.0		1			1		241.8	1		1			1
127.3	1	1			1	1	250.3		1	1			1

**ICOM INCORPORATED**A-0977  
Printed in Japan