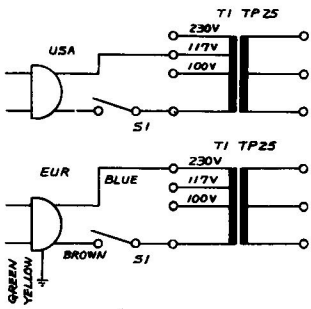
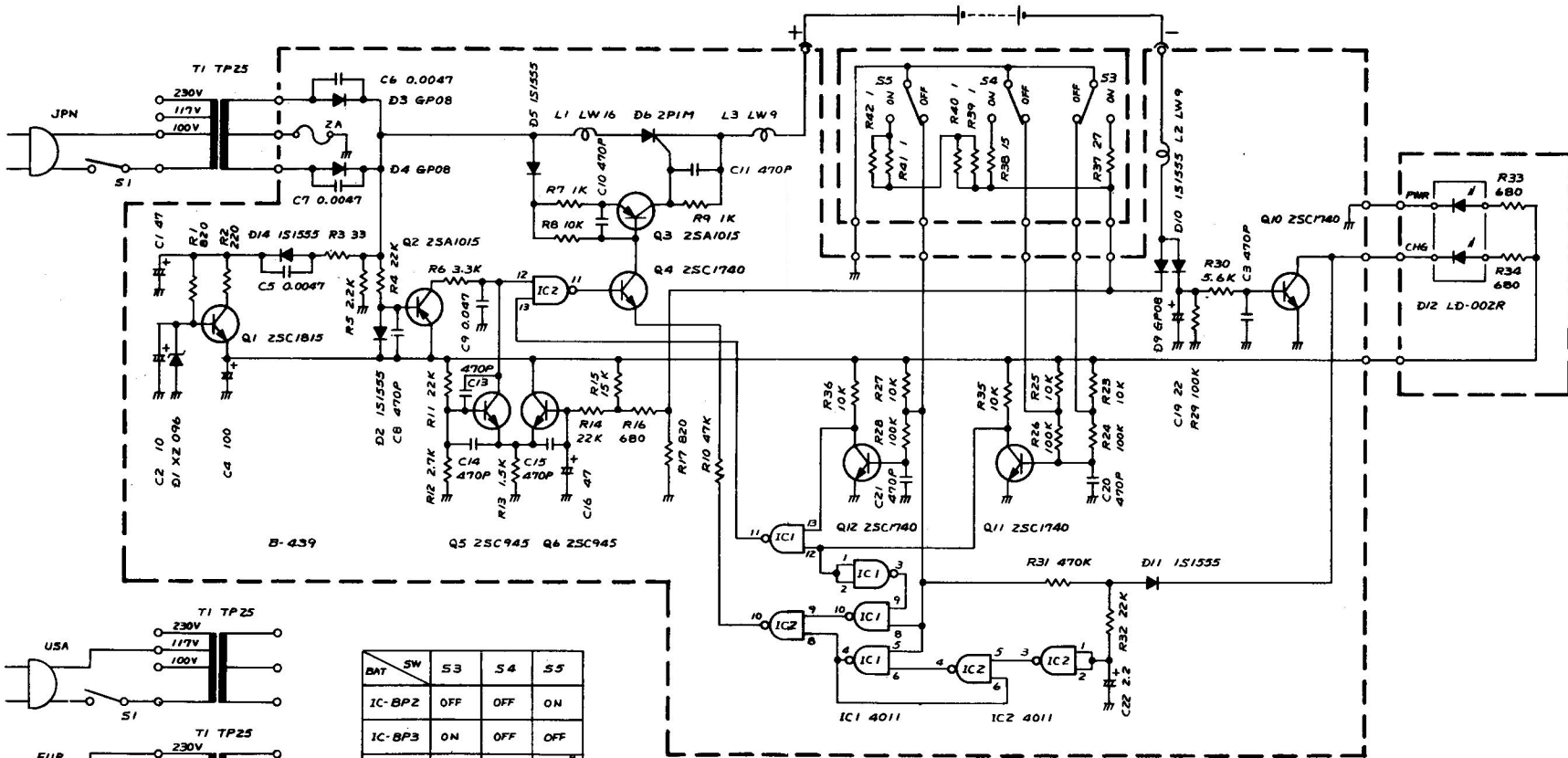


BC-30 SCHEMATIC DIAGRAM



BAT	SW	S3	S4	S5
IC-BP2	OFF	OFF	ON	
IC-BP3	ON	OFF	OFF	
IC-BP4	OFF	ON	OFF	
IC-BP5	OFF	OFF	ON	

